

# STIGA

## *Reservdelskatalog Parts Catalogue*

### ***PARK POWER 16 4WD***

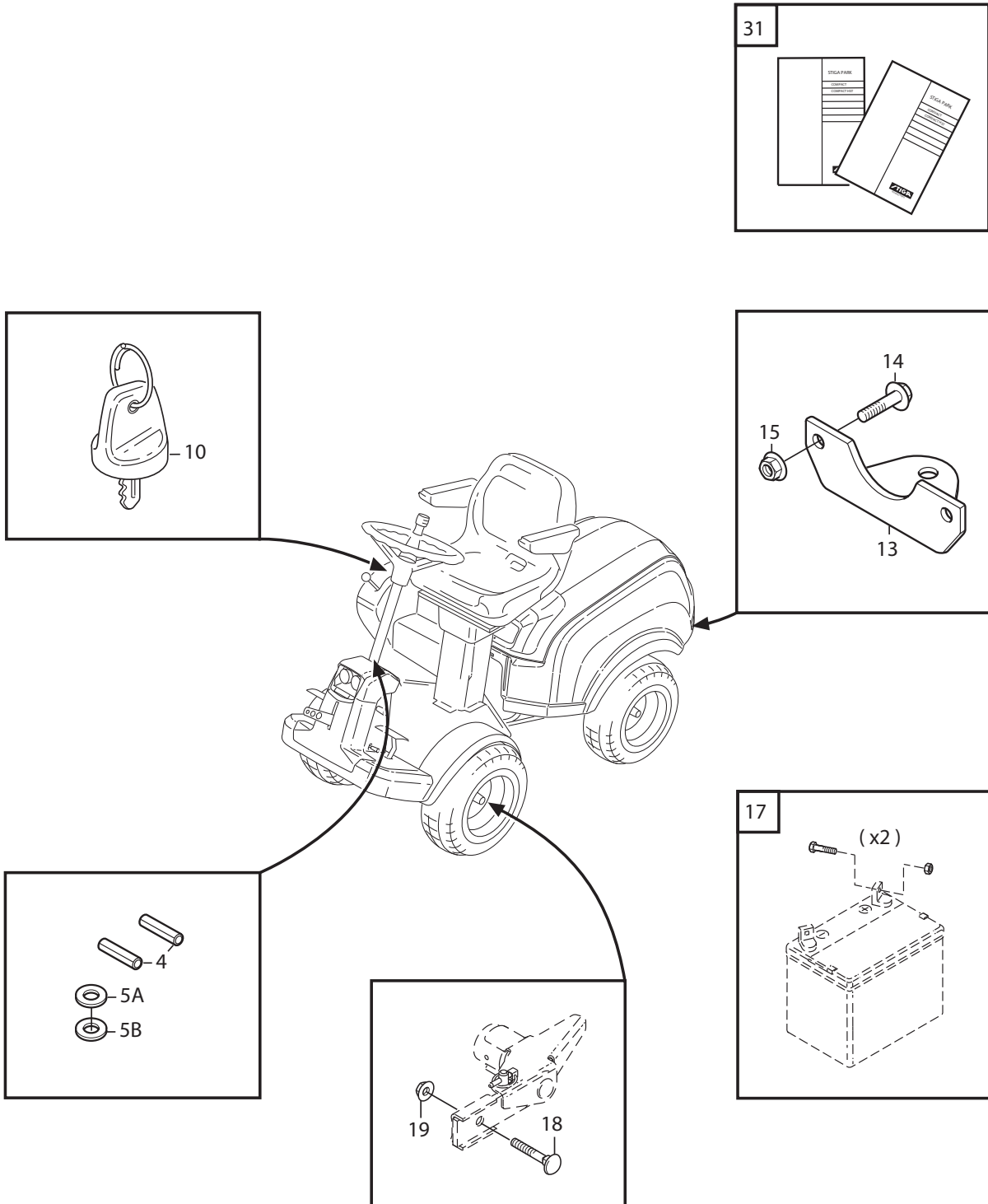
***13-6372-11 - Season 2013***

- Use GLOBAL GARDEN PRODUCT Genuine Spare Parts specified in the parts list for repair and/or replacement.
  - The contents described in the parts list may change due to improvement.
  - The drawings of the spare parts are only indicative and might not represent the part in question exactly.
  - The indications "right" - "left" - "front" - "rear" refer to the position of the operator when using the machine.
- When placing orders of parts for repair and/or replacement, make sure that the illustrated parts list is the one applying to the machine's year of manufacture, as shown on the identification plate attached to the machine.

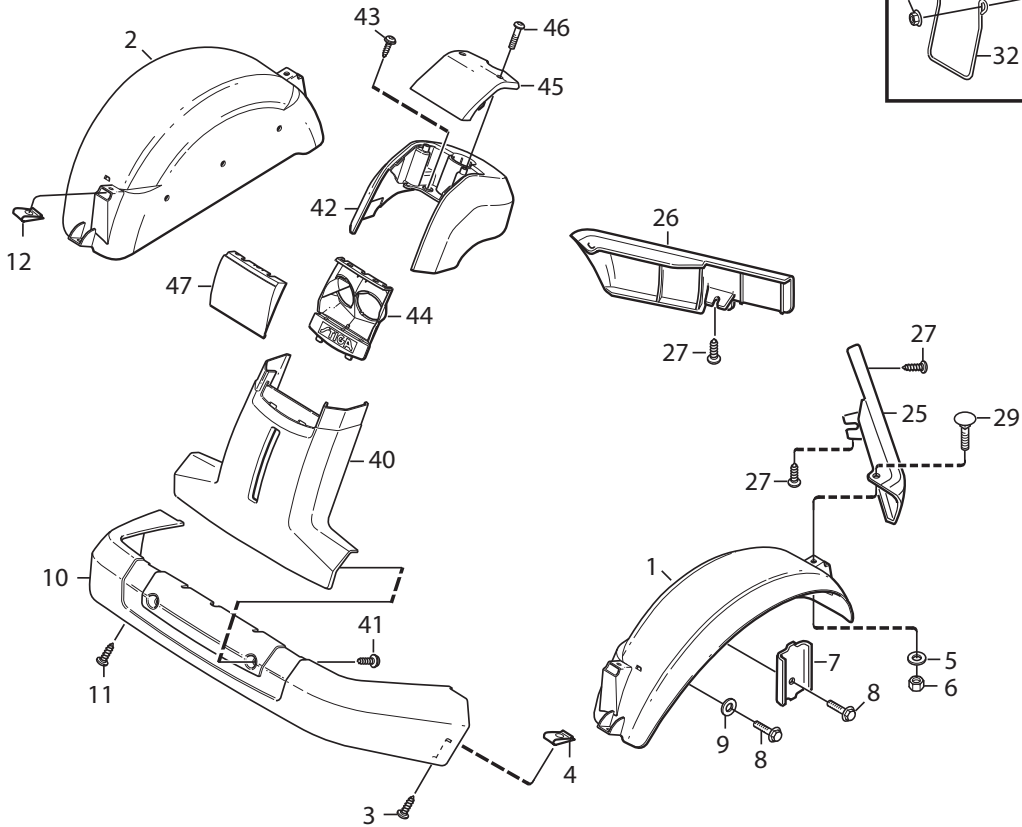
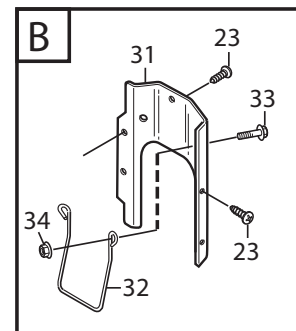
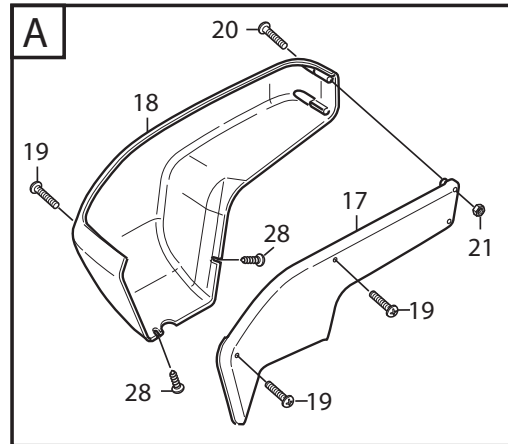
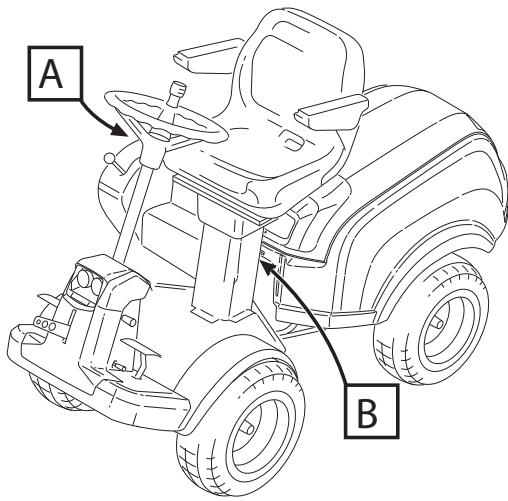
© Copyright 2015 Global Garden Products

All rights reserved. No part of this material may be reproduced or transmitted, in any form or by any means, electronic or mechanical, including photocopying, recording or by any information storage and retrieval system, without permission in writing from GLOBAL GARDEN PRODUCTS.

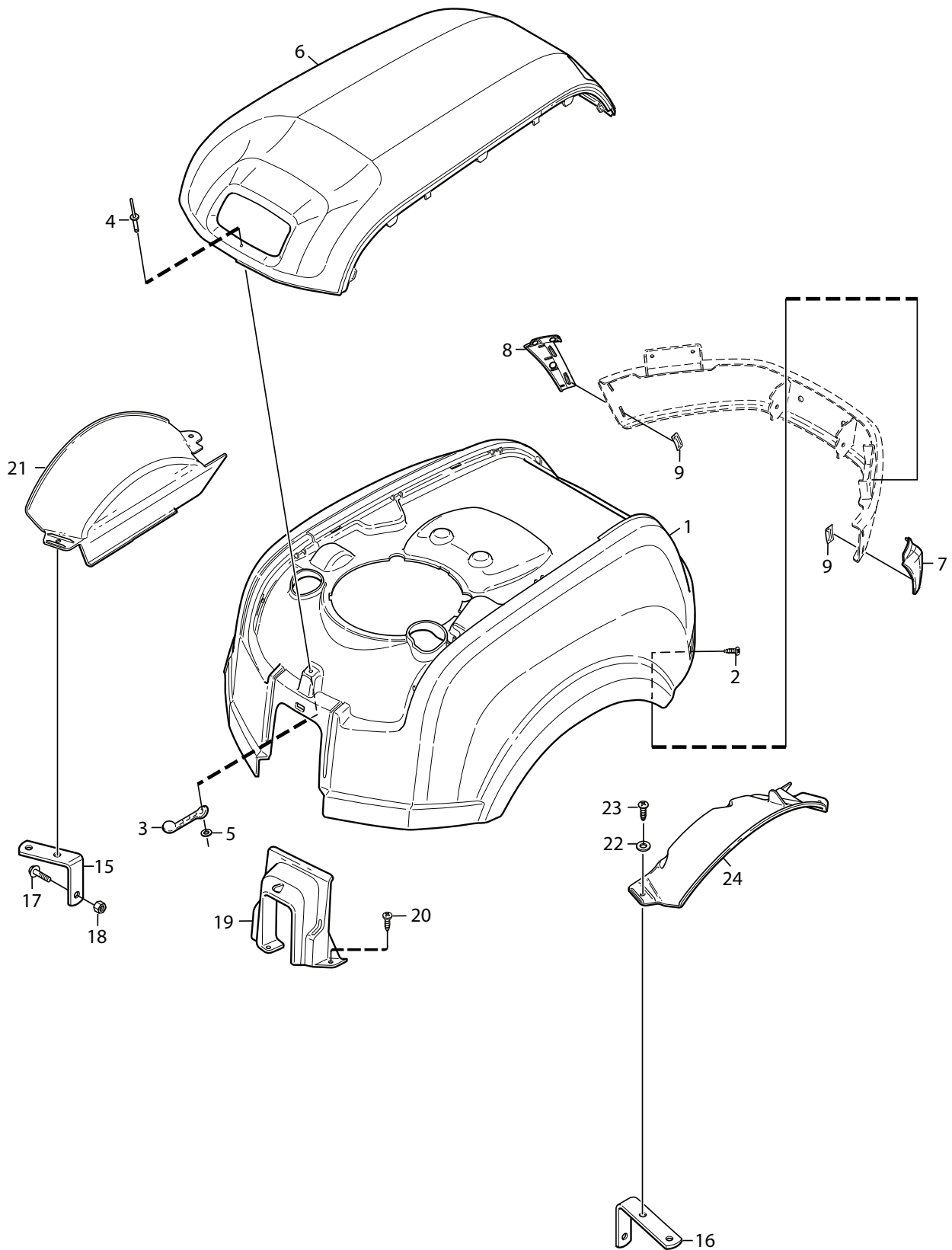
*[www.stiga.com](http://www.stiga.com)*



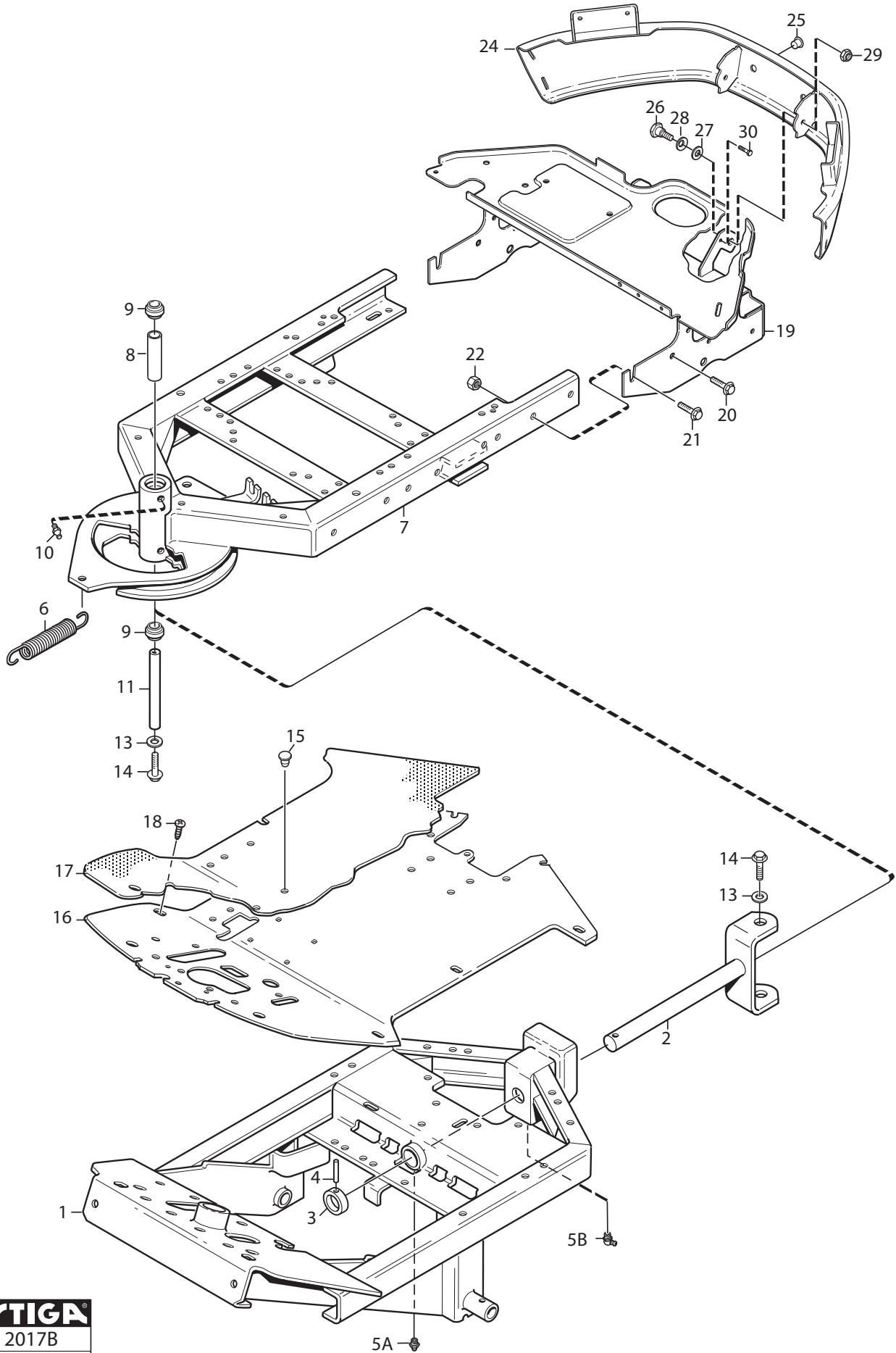
| Utgåva<br>Issue<br>36 - 2015 |               | Monteringsdetaljer<br>Assembly parts |                       |                    |                     |
|------------------------------|---------------|--------------------------------------|-----------------------|--------------------|---------------------|
| Pos.<br>Fig.                 | Antal<br>Q.ty | Art nr<br>Part No                    | Benämning             | Description        | Anmärkning<br>Notes |
| 4                            | 2             | 9595-0262-00                         | Spännstift            | Locating Pin       | 0.5 mm              |
| 5                            | 1             | 9699-0103-02                         | Bricka                | Washer             | 1.0 mm              |
| 5                            | 1             | 9699-0114-02                         | Bricka                | Washer             | 1.0 mm              |
| 10                           | 2             | 1134-4734-01                         | Tändningsnyckel       | Ignition Key       |                     |
| 13                           | 1             | 1134-5512-01                         | Dragplat5-01          | Towing Plate       |                     |
| 14                           | 2             | 9959-0820-16                         | Skruv                 | Screw              |                     |
| 15                           | 2             | 9739-0831-22                         | Mutter                | Nut                |                     |
| 17                           | 1             | 1134-6113-02                         | Skruv                 | Screw              |                     |
| 18                           | 2             | 9898-1035-16                         | Skruv                 | Screw              |                     |
| 19                           | 2             | 9739-1031-22                         | Mutter                | Nut                |                     |
| 31                           | 1             |                                      |                       |                    | As PDF              |
| 31                           | 1             | 8211-0701-10                         | Säkerhetsföreskrifter | Safety Regulations |                     |
| 31                           | 1             | 8211-0960-10                         | Garantikort           | Warranty Card      |                     |



| Utgåva<br>Issue<br>36 - 2015 |               | Kaross            |                        | Body work            |                      |
|------------------------------|---------------|-------------------|------------------------|----------------------|----------------------|
| Pos.<br>Fig.                 | Antal<br>Q.ty | Art nr<br>Part No | Benämning              | Description          | Anmärkning<br>Notes  |
| 1                            | 1             | 1137-0048-01      | Framskärm-Vä           | Mud Guard, Front-Lh  |                      |
| 2                            | 1             | 1137-0048-02      | Framskärm-Hö           | Mud Guard, Front-Rh  |                      |
| 3                            | 2             | 9893-0616-16      | Skruv                  | Screw                |                      |
| 4                            | 2             | 1134-4176-01      | Clips                  | Clips                |                      |
| 5                            | 2             | 9699-0060-02      | Bricka                 | Washer               |                      |
| 6                            | 2             | 9747-0631-02      | Mutter                 | Nut                  |                      |
| 7                            | 2             | 1137-0088-01      | Stödplat               | Support Plate        |                      |
| 8                            | 6             | 9945-0816-16      | Skruv                  | Screw                |                      |
| 9                            | 4             | 9699-0056-02      | Bricka                 | Washer               |                      |
| 10                           | 1             | 1137-0049-01      | Stötfangare-Fram       | Front Bumper         |                      |
| 11                           | 6             | 9893-0616-16      | Skruv                  | Screw                |                      |
| 12                           | 2             | 1134-4176-01      | Clips                  | Clips                |                      |
| 17                           | 1             | 1134-4360-01      | Kapa-Inre (1-00)       | Cover-Inner          |                      |
| 18                           | 1             | 1134-3979-01      | Kapa Yttre1-00         | Cover-Outer          |                      |
| 19                           | 3             | 9946-0525-16      | Skruv                  | Screw                |                      |
| 20                           | 2             | 9950-0570-12      | Skruv                  | Screw                |                      |
| 21                           | 2             | 9747-0531-02      | Mutter                 | Nut                  |                      |
| 23                           | 4             | 9893-0616-16      | Skruv                  | Screw                |                      |
| 25                           | 1             | 1134-3970-05      | Kantlist-Vä (Gra) 7-14 | Moulding-Left (Grey) |                      |
| 26                           | 1             | 1134-3970-02      | Kantlist-Hö (Gra) 7-14 | Moulding Right-Grey  |                      |
| 27                           | 4             | 9893-0616-16      | Skruv                  | Screw                |                      |
| 28                           | 2             | 9840-8013-16      | Skruv                  | Screw                |                      |
| 29                           | 2             | 9897-0616-16      | Skruv                  | Screw                |                      |
| 31                           | 1             | 1134-6461-01      | Bakstycke 1-00         | Rear Plate           |                      |
| 32                           | 1             | 1134-6460-01      | Skyddsbygel            | Protective Loop      | Only for 2 WD models |
| 33                           | 2             | 9959-0820-16      | Skruv                  | Screw                | Only for 2 WD models |
| 34                           | 2             | 9739-0831-22      | Mutter                 | Nut                  | Only for 2 WD models |
| 40                           | 1             | 1137-0050-01      | Frontkapa-Nedre        | Front Panel-Lower    |                      |
| 41                           | 2             | 9838-9516-12      | Skruv                  | Screw                |                      |
| 42                           | 1             | 1137-0051-01      | Frontkapa-Övre         | Front Panel-Upper    |                      |
| 43                           | 2             | 9946-0525-16      | Skruv                  | Screw                |                      |
| 44                           | 1             | 1137-0052-01      | Lamphallare            | Lamp Holder          |                      |
| 45                           | 1             | 1137-0053-01      | Toppkapa               | Top Panel            |                      |
| 46                           | 2             | 9838-9516-12      | Skruv                  | Screw                |                      |
| 47                           | 1             | 1137-0054-01      | Lampglas               | Lamp Glass           |                      |

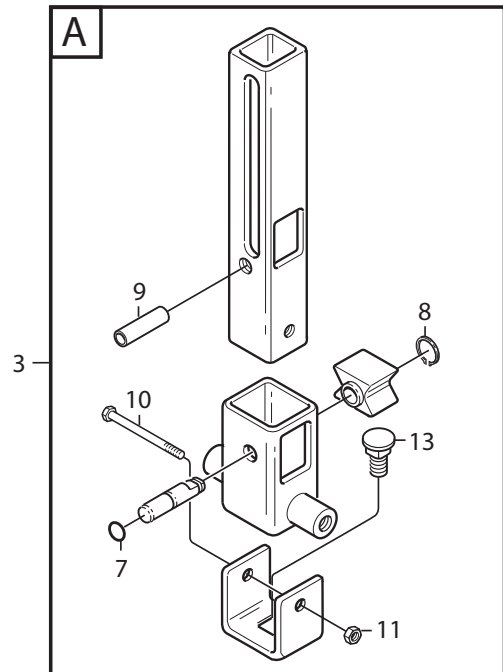
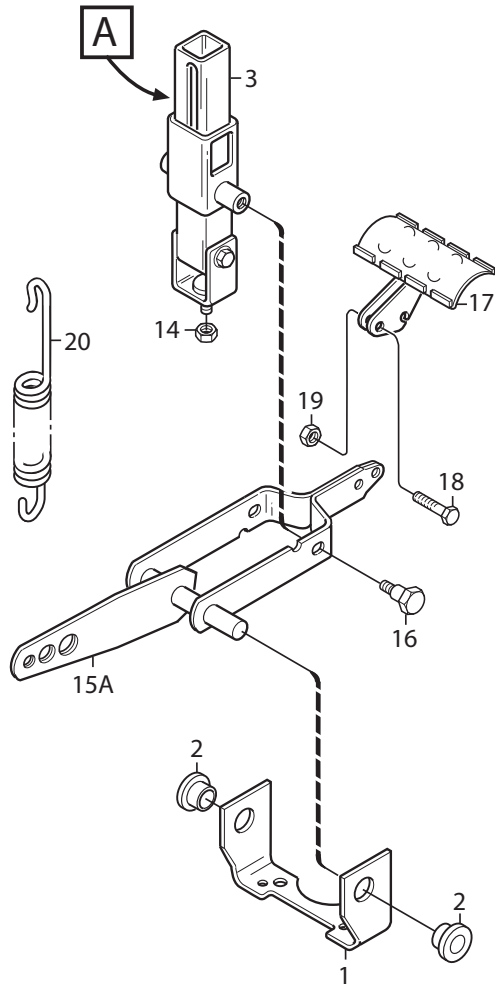


| Utgåva<br>Issue<br>36 - 2015 |               | Kaross<br>Body work |                                    |                           |                        |
|------------------------------|---------------|---------------------|------------------------------------|---------------------------|------------------------|
| Pos.<br>Fig.                 | Antal<br>Q.ty | Art nr<br>Part No   | Benämning                          | Description               | Anmärkning<br>Notes    |
| 1                            | 1             | 1134-6025-01        | Motorhuv(1-00)                     | Engine Hood               |                        |
| 2                            | 4             | 9893-0616-16        | Skruv                              | Screw                     |                        |
| 3                            | 1             | 1134-9028-01        | Gummistropp (3 St)                 | Rubber Strap (3 Pcs)      | Sats 3 st/kit of 3     |
| 4                            | 1             | 9632-0513-00        | Popnit1 -0420 Bs [Tap/D Bs] 3,2X20 | Pop Rivet                 |                        |
| 5                            | 1             | 9699-0120-02        | Bricka                             | Washer                    |                        |
| 6                            | 1             | 1134-6026-01        | Motorlucka (7-14)                  | Engine Cover              |                        |
| 7                            | 1             | 1134-6027-01        | Ändavslut Stötfangare-Vä           | Bumper End-Lh             |                        |
| 8                            | 1             | 1134-6027-02        | Ändavslut Stötfangare-Hö           | Bumper End-Rh             |                        |
| 9                            | 4             | 1134-6310-01        | Clips                              | Clip                      |                        |
| 15                           | 1             | 1134-4012-03        | Stöd-Hö                            | Support, Right            |                        |
| 16                           | 1             | 1134-4012-04        | Stöd-Vä                            | Support, Left             | Not for Diesel Version |
| 17                           | 1             | 9959-0820-16        | Skruv                              | Screw                     |                        |
| 18                           | 1             | 9739-0831-22        | Mutter                             | Nut                       |                        |
| 19                           | 1             | 1134-6241-01        | Huvstöd (Svart) 5-01               | Hood Support              |                        |
| 20                           | 3             | 9893-0616-16        | Skruv                              | Screw                     |                        |
| 21                           | 1             | 1134-4800-01        | Innerskärm-Hö (Park)               | Inner Mud Guard-Rh (Park) |                        |
| 22                           | 4             | 9699-0060-02        | Bricka                             | Washer                    | Not for Diesel Version |
| 23                           | 4             | 9893-0616-16        | Skruv                              | Screw                     | Not for Diesel Version |
| 24                           | 1             | 1134-4801-01        | Innerskärm-Vä (Park)               | Inner Mud Guard-Lh (Park) | Not for Diesel Version |
| 30                           | 3             | 1137-0020-01        | Distans                            | Spacer                    |                        |
| 31                           | 3             | 9997-0535-16        | Skruv                              | Screw                     |                        |
| 32                           | 3             | 9739-0531-22        | Mutter                             | Nut                       |                        |
| 33                           | 3             | 9699-0099-02        | Bricka                             | Washer                    |                        |
| 34                           | 3             | 9747-0531-02        | Mutter                             | Nut                       |                        |

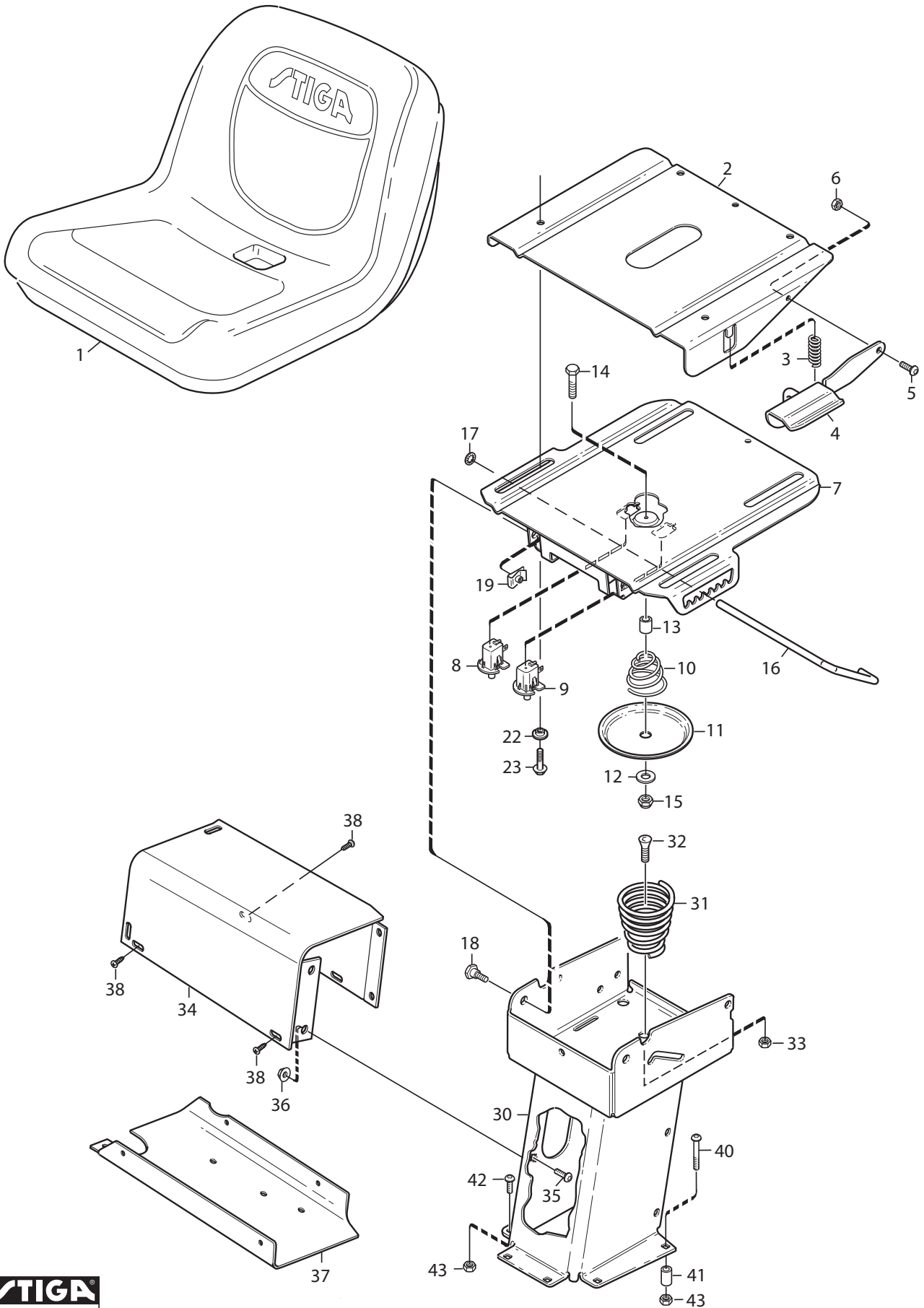




| Utgåva<br>Issue<br>36 - 2015 |               | Ram               |                              | Frame               |                     |
|------------------------------|---------------|-------------------|------------------------------|---------------------|---------------------|
| Pos.<br>Fig.                 | Antal<br>Q.ty | Art nr<br>Part No | Benämning                    | Description         | Anmärkning<br>Notes |
| 1                            | 1             | 1137-0182-01      | Ram-Främre Kpl               | Frame Front         |                     |
| 1                            | 1             | 1137-0388-01      | Ram-Främre (2Wd) 5-01        | Frame-Front (2Wd)   | France              |
| 2                            | 1             | 1134-3963-02      | Midjegaffel Service 5-01 H10 | Fork                |                     |
| 3                            | 1             | 1134-0031-00      | Ledaxelstopp                 | Pivot Shaft Stop    |                     |
| 4                            | 1             | 9595-0262-00      | Spännstift                   | Locating Pin        |                     |
| 5                            | 1             | 9501-0500-00      | Smörjkopp Kort Rak           | Grease Dispenser    | Rak/straight        |
| 5                            | 1             | 9501-0504-01      | Smörjnippel                  | Grease Nipple M6 90 | 90                  |
| 6                            | 1             | 1134-2171-01      | Fjäder                       | Spring              |                     |
| 7                            | 1             | 1134-6466-01      | Ram-Bakre Kpl (5-01)         | Frame-Rear Assy     |                     |
| 8                            | 1             | 1134-5705-01      | Distans                      | Spacer              |                     |
| 9                            | 2             | 9547-0001-00      | Ledlager Ge17Es              | Bearing             |                     |
| 10                           | 2             | 9501-0500-00      | Smörjkopp Kort Rak           | Grease Dispenser    |                     |
| 11                           | 1             | 1134-5988-01      | Centrumaxel                  | Centre Shaft        |                     |
| 13                           | 2             | 9699-0035-02      | Bricka                       | Washer              |                     |
| 14                           | 2             | 9959-1025-16      | Skruv                        | Screw               |                     |
| 15                           | 2             | 9403-0048-70      | Täckpropp Ikpt 13-6,5S       | Cover Plug          |                     |
| 16                           | 1             | 1134-6586-01      | Durk (5-01)                  | Floor Plate         |                     |
| 17                           | 1             | 1134-6372-04      | Durkmatta                    | Floor Mat Hst       |                     |
| 18                           | 2             | 9893-0616-16      | Skruv                        | Screw               |                     |
| 19                           | 1             | 1134-5944-01      | Tankhylla Kpl. 5-01          | Tank Shelf Assy     |                     |
| 20                           | 2             | 9945-0816-16      | Skruv                        | Screw               |                     |
| 21                           | 2             | 9959-0820-16      | Skruv                        | Screw               |                     |
| 22                           | 2             | 9739-0831-22      | Mutter                       | Nut                 |                     |
| 24                           | 1             | 1134-5676-01      | Stötfangare                  | Rear Bumper         |                     |
| 25                           | 2             | 1134-4100-01      | Täckpropp                    | Plug                |                     |
| 26                           | 2             | 1134-0240-00      | Skruv                        | Screw               |                     |
| 27                           | 2             | 1134-4242-01      | Distansbricka                | Washer              |                     |
| 28                           | 2             | 9665-0002-00      | Bricka                       | Washer              |                     |
| 29                           | 2             | 9747-0831-02      | Mutter                       | Nut                 |                     |
| 30                           | 2             | 9943-0516-16      | Skruv                        | Screw               |                     |



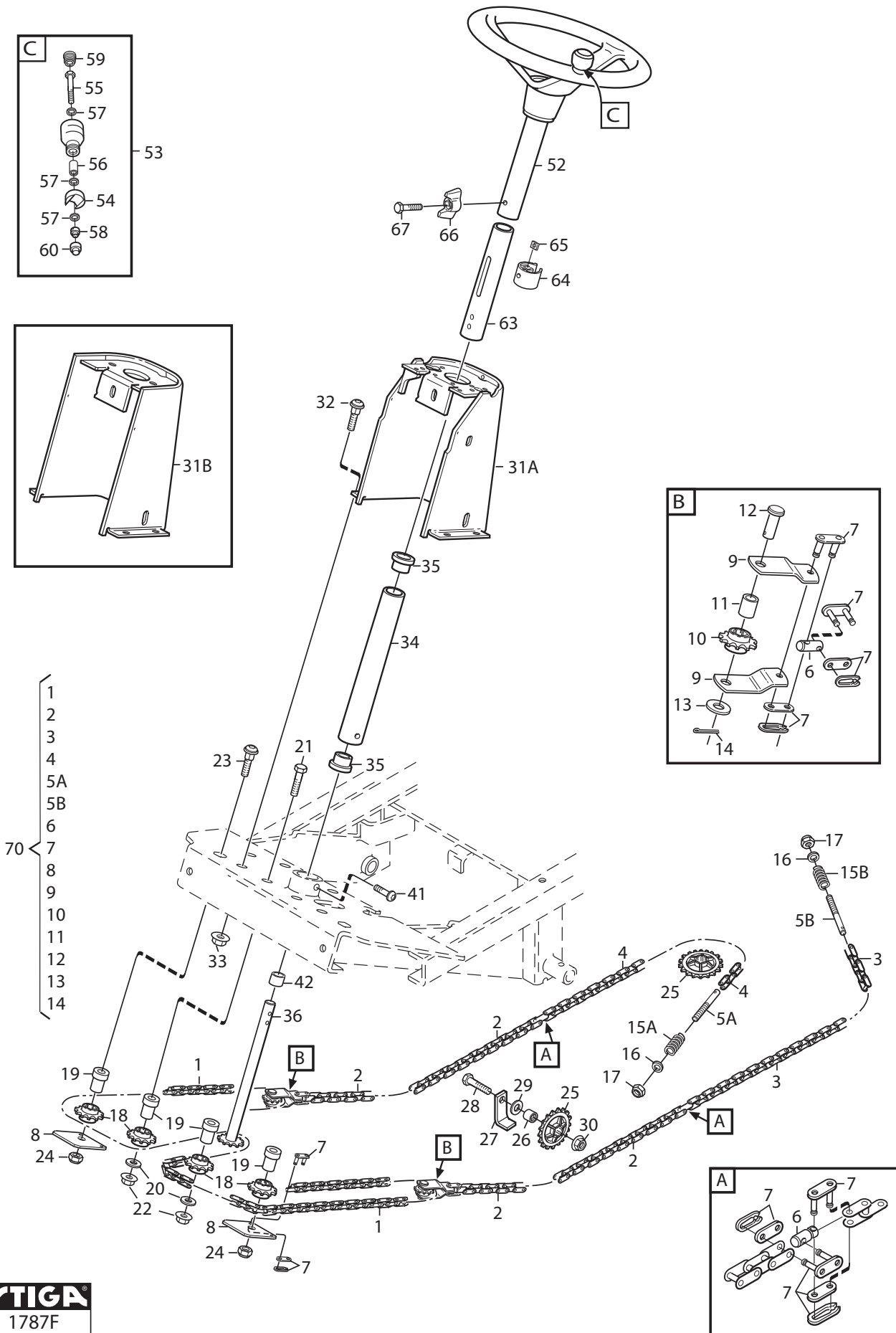
| Utgåva<br>Issue<br>36 - 2015 |               | Pedallyft<br>Pedal lift |                        |                 |                     |
|------------------------------|---------------|-------------------------|------------------------|-----------------|---------------------|
| Pos.<br>Fig.                 | Antal<br>Q.ty | Art nr<br>Part No       | Benämning              | Description     | Anmärkning<br>Notes |
| 1                            | 1             | 1134-4117-01            | Fäste                  | Bracket         |                     |
| 2                            | 2             | 1134-2684-01            | Lager                  | Bearing         |                     |
| 3                            | 1             | 1134-4945-01            | Lyftspärr kpl          | Lift Catch Assy |                     |
| 7                            | 1             | 9404-0027-01            | O-ring                 | O-ring          |                     |
| 8                            | 1             | 9650-0039-04            | Sparring Sga 8         | Lock Ring       |                     |
| 9                            | 1             | 9595-0276-01            | Spiralspännstift 8*24  | Locating Pin    |                     |
| 10                           | 1             | 9997-0640-12            | Skruv                  | Screw           |                     |
| 11                           | 1             | 9747-0631-02            | Mutter                 | Nut             |                     |
| 13                           | 1             | 9897-0820-16            | Skruv                  | Screw           |                     |
| 14                           | 1             | 9747-0831-02            | Mutter                 | Nut             |                     |
| 15                           | 1             | 1137-0109-01            | Lyftarm Kpl (Gra) 7-14 | Lift Arm Assy   |                     |
| 16                           | 2             | 1134-0240-00            | Skruv                  | Screw           |                     |
| 17                           | 1             | 1134-4938-01            | Lyftpedal              | Lift Pedal      |                     |
| 18                           | 2             | 9997-0625-16            | Skruv                  | Screw           |                     |
| 19                           | 2             | 9739-0631-22            | Mutter                 | Nut             |                     |
| 20                           | 1             | 4231-0013-00            | Fjäder                 | Spring          |                     |



| Utgåva<br>Issue<br>36 - 2015 |               | Sits              | Seat                      |                       |                     |
|------------------------------|---------------|-------------------|---------------------------|-----------------------|---------------------|
| Pos.<br>Fig.                 | Antal<br>Q.ty | Art nr<br>Part No | Benämning                 | Description           | Anmärkning<br>Notes |
| 1                            | 1             | 1134-6444-01      | Sits (Xb 150) Stiga       | Seat                  |                     |
| 2                            | 1             | 1134-6090-01      | Glidplatta-Övre 5-01      | Slide Plate-Upper     |                     |
| 3                            | 1             | 1134-3262-01      | Fjäder                    | Spring                |                     |
| 4                            | 1             | 1134-6073-01      | Handtag Kpl 5-01          | Handle Assy           |                     |
| 5                            | 1             | 9893-0616-16      | Skruv                     | Screw                 |                     |
| 6                            | 1             | 9747-0631-02      | Mutter                    | Nut                   |                     |
| 7                            | 1             | 1134-6068-01      | Glidplatta-Undre Kpl 5-01 | Slide Plate-Lower     |                     |
| 8                            | 1             | 1134-3156-01      | Brytare                   | Switch                |                     |
| 9                            | 1             | 1134-3156-02      | Brytare (gra)             | Switch                |                     |
| 10                           | 1             | 1134-5302-01      | Fjäder                    | Spring                |                     |
| 11                           | 1             | 1134-5299-01      | Tryckplatta               | Push Plate            |                     |
| 12                           | 1             | 9699-0090-02      | Bricka   Bricka           | Washer   Washer       |                     |
| 13                           | 1             | 1134-1565-06      | Distans                   | Spacer                |                     |
| 14                           | 1             | 9997-0840-12      | Skruv                     | Screw                 |                     |
| 15                           | 1             | 9747-0831-02      | Mutter                    | Nut                   |                     |
| 16                           | 1             | 1134-5179-01      | Spärr                     | Catch                 |                     |
| 17                           | 1             | 9675-0012-02      | Starlock                  | Locking washer        |                     |
| 18                           | 2             | 1134-0240-00      | Skruv                     | Screw                 |                     |
| 19                           | 2             | 1134-4620-02      | Fjädermutter              | Nut                   |                     |
| 22                           | 4             | 1134-6078-01      | Bricka                    | Flange Washer         |                     |
| 23                           | 4             | 9959-0820-16      | Skruv                     | Screw                 |                     |
| 30                           | 1             | 1134-5698-01      | Sitskonsol Kpl 1-00       | Seat Bracket Assy     |                     |
| 31                           | 1             | 1134-4256-01      | Fjäder                    | Spring                |                     |
| 32                           | 1             | 9924-1235-19      | Skruv                     | Screw                 |                     |
| 33                           | 1             | 9747-1231-02      | Mutter                    | Nut                   |                     |
| 34                           | 1             | 1134-3990-01      | Armsvep Kpl 041-00        | Attachment-Side Panel |                     |
| 35                           | 2             | 9897-0820-16      | Skruv                     | Screw                 |                     |
| 36                           | 2             | 9739-0831-22      | Mutter                    | Nut                   |                     |
| 37                           | 1             | 1134-4130-01      | Undre Lock (1-00)         | Cover Lower           |                     |
| 38                           | 4             | 9840-8013-16      | Skruv                     | Screw                 |                     |
| 40                           | 2             | 9897-0880-12      | Skruv                     | Screw                 |                     |
| 41                           | 2             | 1134-1565-08      | Distans                   | Spacer                |                     |
| 42                           | 4             | 9897-0820-16      | Skruv                     | Screw                 |                     |
| 43                           | 6             | 9747-0831-02      | Mutter                    | Nut                   |                     |

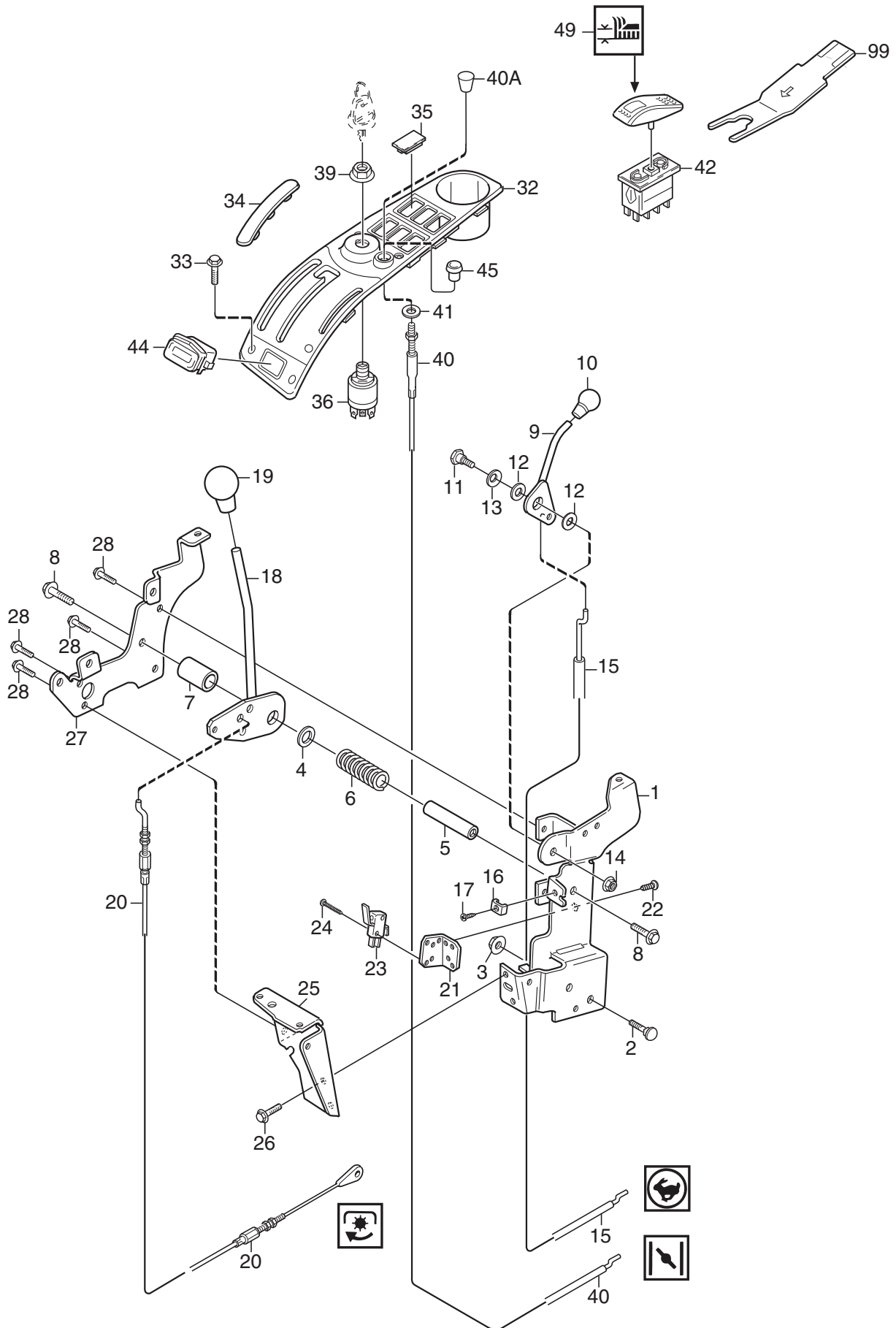


| Utgåva<br>Issue<br>36 - 2015 |               | Styrning<br>Steering |                       |                           |                     |
|------------------------------|---------------|----------------------|-----------------------|---------------------------|---------------------|
| Pos.<br>Fig.                 | Antal<br>Q.ty | Art nr<br>Part No    | Benämning             | Description               | Anmärkning<br>Notes |
| 1                            | 1             | 1134-6374-10         | Kedja                 | Chain                     | 129 länk            |
| 2                            | 2             | 1134-6374-09         | Kedja                 | Chain                     | 35 länk             |
| 3                            | 1             | 1134-6374-02         | Kedja                 | Chain                     | 41 länk             |
| 4                            | 1             | 1134-6374-05         | Kedja                 | Chain                     | 47 länk             |
| 5                            | 1             | 1134-3550-01         | Ändnippel (L110)      | End Nipple                | L = 110 mm          |
| 5                            | 1             | 1134-3550-02         | Ändnippel (L90)       | End Nipple                | L = 90 mm           |
| 6                            | 4             | 1134-3565-01         | Skarvnippel           | Connection Nipple         |                     |
| 7                            | 12            | 1134-2824-02         | Kedjelas Fz           | Chain Lock                |                     |
| 8                            | 2             | 1134-5652-01         | Fäste                 | Attachment                |                     |
| 9                            | 4             | 1134-5651-01         | Fäste                 | Bracket                   |                     |
| 10                           | 2             | 1134-2816-01         | Kedjehjul             | Sprocket                  |                     |
| 11                           | 2             | 1134-0041-02         | Bussning              | Bushing                   |                     |
| 12                           | 2             | 1134-4817-01         | Stift                 | Pin                       |                     |
| 13                           | 2             | 9699-0035-02         | Bricka                | Washer                    |                     |
| 14                           | 2             | 9599-0054-02         | SaxSprint             | Split Pin                 |                     |
| 15                           | 1             | 1134-3817-01         | Fjäder                | Spring                    | L = 58 mm           |
| 15                           | 1             | 1134-3817-02         | Fjäder                | Spring                    | L = 33 mm           |
| 16                           | 2             | 9699-0090-02         | Bricka   Bricka       | Washer   Washer           |                     |
| 17                           | 2             | 9747-0831-02         | Mutter                | Nut                       |                     |
| 18                           | 4             | 1134-2816-01         | Kedjehjul             | Sprocket                  |                     |
| 19                           | 4             | 1134-5653-01         | Distans               | Spacer                    |                     |
| 20                           | 2             | 9699-0035-02         | Bricka                | Washer                    |                     |
| 21                           | 2             | 9997-1060-12         | Skruv                 | Screw                     |                     |
| 22                           | 2             | 9739-1031-22         | Mutter                | Nut                       |                     |
| 23                           | 2             | 9897-1060-12         | Skruv                 | Screw                     |                     |
| 24                           | 2             | 9731-1031-22         | Mutter                | Nut                       |                     |
| 25                           | 3             | 1134-3547-01         | Kedjehjul             | Sprocket                  |                     |
| 26                           | 2             | 1134-0041-01         | Bussning              | Bushing                   |                     |
| 27                           | 2             | 1134-0046-00         | Wireklämma            | Wire Clamp                |                     |
| 28                           | 2             | 9997-1040-16         | Skruv                 | Screw                     |                     |
| 29                           | 2             | 9699-0035-02         | Bricka                | Washer                    |                     |
| 30                           | 2             | 9739-1031-22         | Mutter                | Nut                       |                     |
| 31                           | 1             | 1137-0066-01         | Rattstang Skydd       | Steering Column Cover     |                     |
| 32                           | 4             | 9897-0820-16         | Skruv                 | Screw                     |                     |
| 33                           | 4             | 9739-0831-22         | Mutter                | Nut                       |                     |
| 34                           | 1             | 1134-1305-03         | Rattrör Nedre         | Steering Column, Lower    |                     |
| 35                           | 2             | 1134-1901-01         | Lager                 | Bearing                   |                     |
| 36                           | 1             | 1137-0120-02         | Rattstang Kpl         | Steering Rod Assy         |                     |
| 41                           | 2             | 9893-0616-16         | Skruv                 | Screw                     |                     |
| 42                           | 1             | 1134-2837-03         | Distans               | Spacer                    |                     |
| 52                           | 1             | 1134-5173-02         | Ratt Kpl              | Steering Wheel            |                     |
| 53                           | 1             | 1134-3769-01         | Styrknopp Kpl Service | Steering Wheel Button Kit |                     |
| 54                           | 1             | 1134-3752-01         | Knoppfäste            | Knob Holder               |                     |
| 55                           | 1             | 9997-0870-16         | Skruv                 | Screw                     |                     |
| 56                           | 1             | 1134-1565-06         | Distans               | Spacer                    |                     |
| 57                           | 3             | 9699-0090-02         | Bricka   Bricka       | Washer   Washer           |                     |
| 58                           | 1             | 9747-0831-02         | Mutter                | Nut                       |                     |
| 59                           | 1             | 9403-0043-70         | Plugg                 | Plug                      |                     |
| 60                           | 1             | 9403-0113-00         | Ringmutter            | Ring Nut                  |                     |

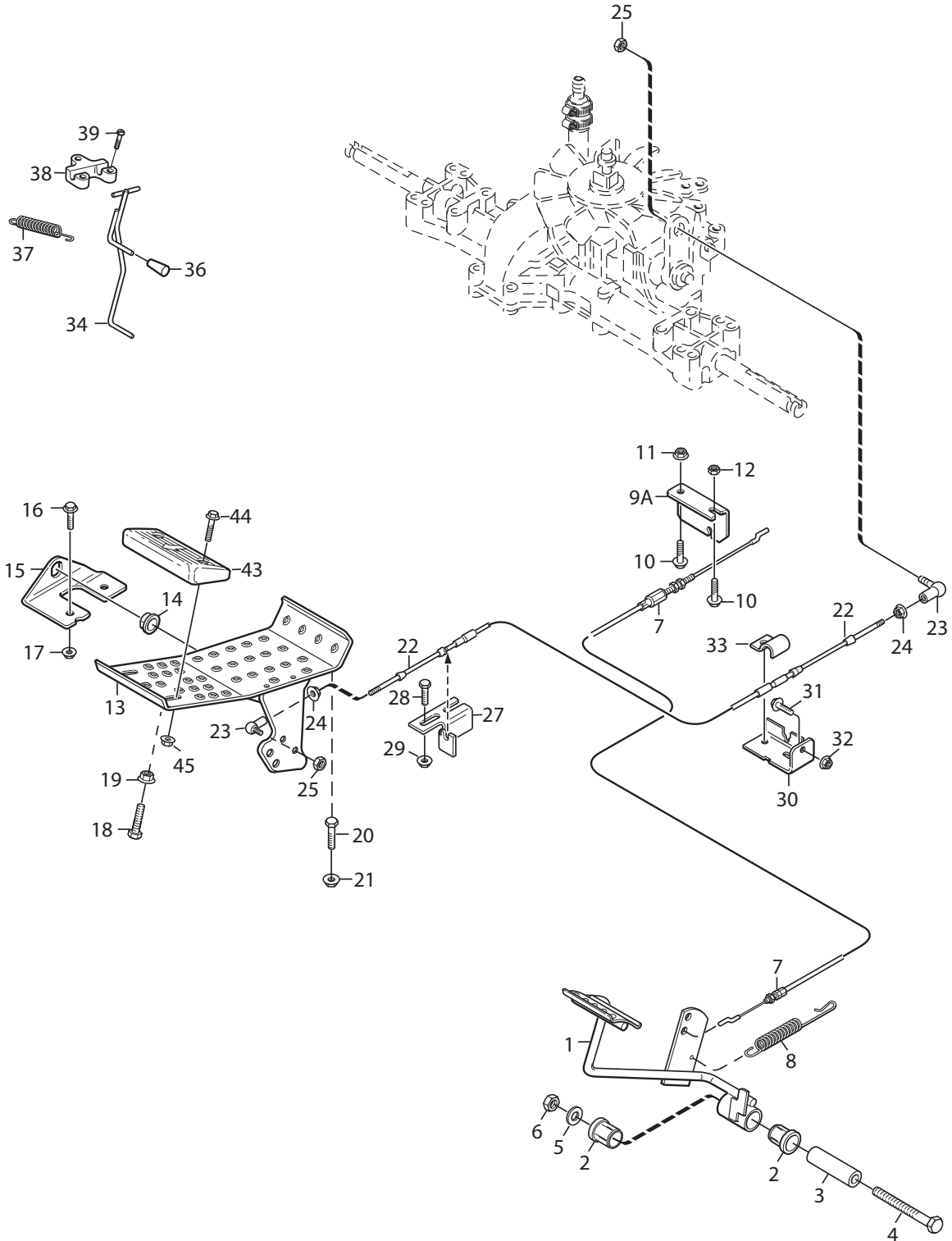




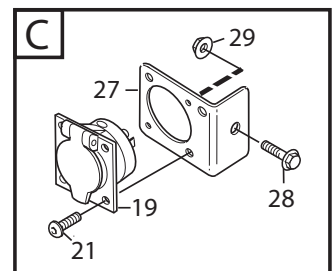
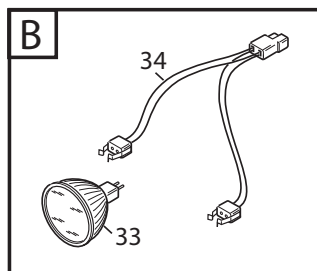
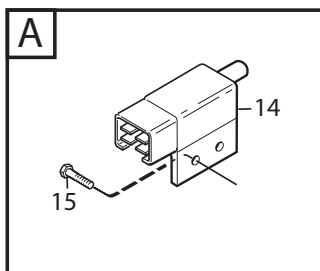
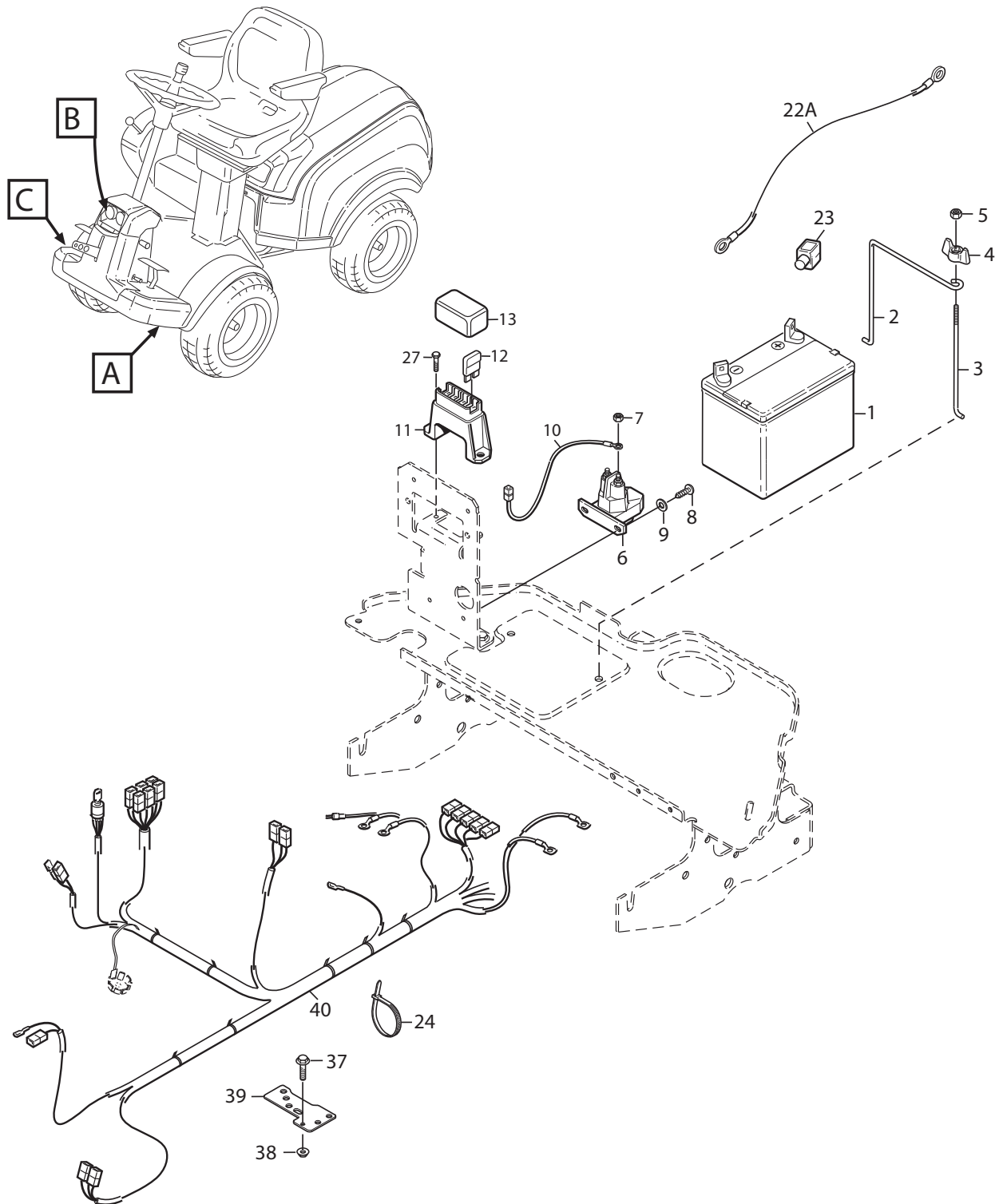
| Utgåva<br>Issue<br>36 - 2015 |               | Styrning<br>Steering |  |                          |                     |
|------------------------------|---------------|----------------------|--|--------------------------|---------------------|
| Pos.<br>Fig.                 | Antal<br>Q.ty | Art nr<br>Part No    | Benämning                              | Description              | Anmärkning<br>Notes |
| 63                           | 1             | 1137-0070-01         | Rattrör-Inre                           | Steering Tube-Inner Assy |                     |
| 64                           | 1             | 1134-5177-01         | Slid                                   | Slide                    |                     |
| 65                           | 1             | 9710-0631-12         | Lasmutter                              | Nut                      |                     |
| 66                           | 1             | 1134-4481-02         | Vingmutter                             | Wing Nut                 |                     |
| 67                           | 1             | 9997-0630-12         | Skruv                                  | Screw                    |                     |
| 70                           | 1             | 1134-6380-03         | Styrkedja Fz Mek. Servo K/K, L/K<br>Sm | Steering Chain Assy      | Inkl. pos 1-14      |



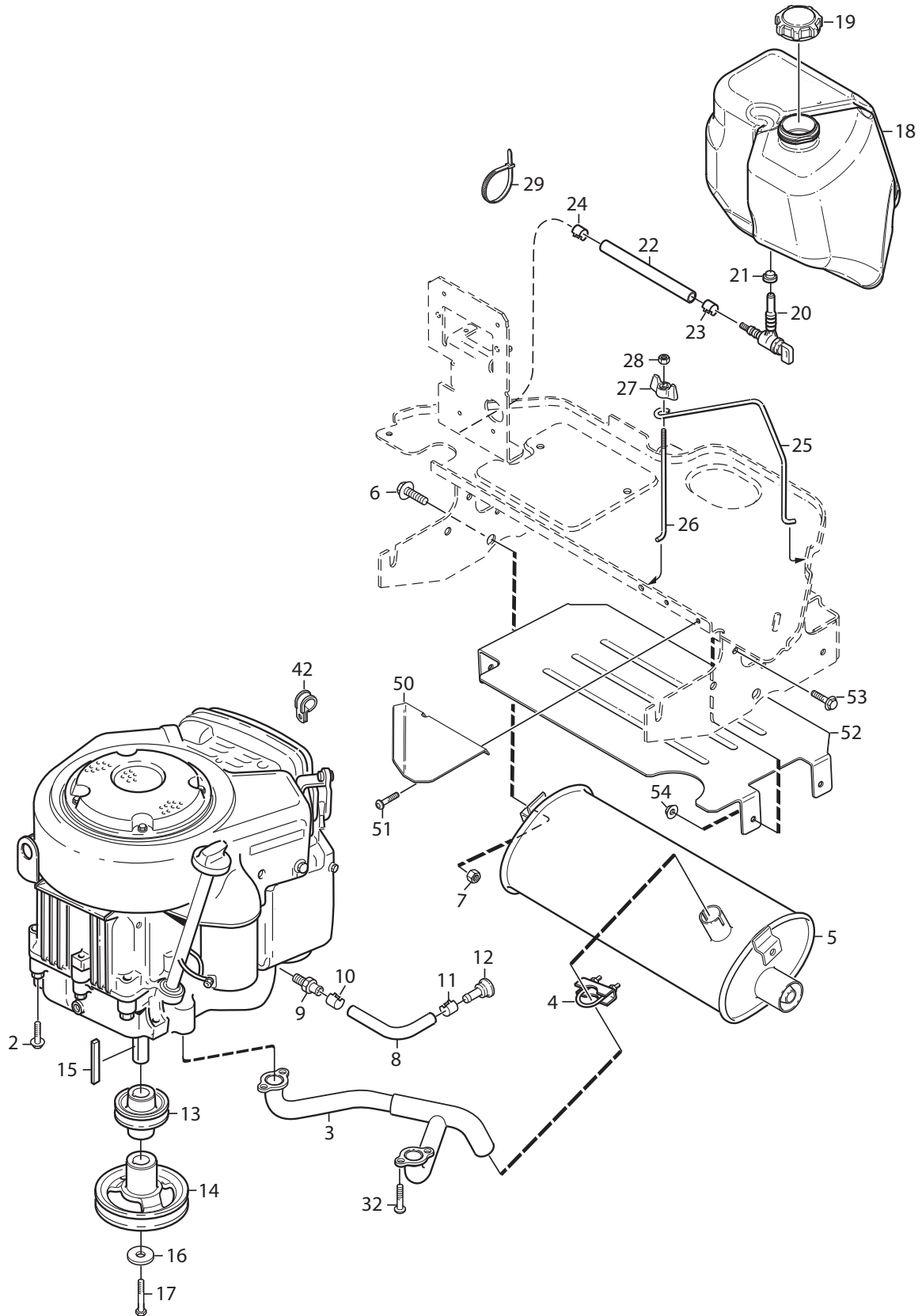
| Utgåva<br>Issue<br>36 - 2015 |               | Handreglage<br>Hand controls |                      |                            |                     |
|------------------------------|---------------|------------------------------|----------------------|----------------------------|---------------------|
| Pos.<br>Fig.                 | Antal<br>Q.ty | Art nr<br>Part No            | Benämning            | Description                | Anmärkning<br>Notes |
| 15                           | 1             | 1137-0063-03                 | Gasreglage           | Throttle Cable             | L1 = 1413 mm        |
| 1                            | 1             | 1134-4156-01                 | Vinkelhallare Kpl 24 | Panel Bracket-Inner        |                     |
| 2                            | 2             | 9897-0820-16                 | Skruv                | Screw                      |                     |
| 3                            | 2             | 9739-0831-22                 | Mutter               | Nut                        |                     |
| 4                            | 1             | 9695-0011-00                 | Bricka               | Washer                     |                     |
| 5                            | 1             | 1134-4065-01                 | Reglageaxel          | Control Shaft              |                     |
| 6                            | 1             | 1134-4079-01                 | Fjäder               | Spring                     |                     |
| 7                            | 1             | 1134-4080-03                 | Reglagehylsa         | Control Sleeve             |                     |
| 8                            | 2             | 9959-0820-16                 | Skruv                | Screw                      |                     |
| 9                            | 1             | 1134-4077-01                 | Gasreglage           | Throttle Cable             |                     |
| 10                           | 1             | 1134-4078-01                 | Knopp                | Knob                       |                     |
| 11                           | 1             | 1134-0240-00                 | Skruv                | Screw                      |                     |
| 12                           | 2             | 1134-4242-01                 | Distansbricka        | Washer                     |                     |
| 13                           | 1             | 9694-0001-00                 | Bricka               | Washer                     |                     |
| 14                           | 1             | 9747-0831-02                 | Mutter               | Nut                        |                     |
| 16                           | 1             | 9500-9991-00                 | Kabelklämma          | Wire Clamp                 |                     |
| 17                           | 1             | 9943-0516-16                 | Skruv                | Screw                      |                     |
| 18                           | 1             | 1134-4072-01                 | Aggregatpak Kpl      | Control Lever              |                     |
| 19                           | 1             | 1134-2551-01                 | Knopp                | Knob                       |                     |
| 20                           | 1             | 1134-3573-03                 | Kraftuttagwire       | Pto Cable                  |                     |
| 21                           | 1             | 1134-5358-01                 | Brytarfäste          | Switch Bracket             |                     |
| 22                           | 2             | 9852-8013-16                 | Skruv                | Screw                      |                     |
| 23                           | 1             | 9400-0285-01                 | Brytare              | Switch                     |                     |
| 24                           | 2             | 9840-7716-16                 | Skruv                | Screw                      | L = 16 mm           |
| 25                           | 1             | 1134-6328-01                 | Frontfäste 5-01      | Panel Bracket-Front        |                     |
| 26                           | 2             | 9893-0616-16                 | Skruv                | Screw                      |                     |
| 27                           | 1             | 1134-6327-01                 | Frontplat5-01        | Front Plate                |                     |
| 28                           | 4             | 9893-0616-16                 | Skruv                | Screw                      |                     |
| 32                           | 1             | 1134-6096-02                 | Kassett              | Dashboard                  |                     |
| 33                           | 4             | 9946-0525-16                 | Skruv                | Screw                      |                     |
| 34                           | 1             | 1134-4154-01                 | Täckbricka           | Cover                      |                     |
| 35                           | 5             | 1134-4129-01                 | Täckbricka           | Cover                      |                     |
| 36                           | 1             | 1134-4093-01                 | Tändningslas         | Ignition Switch            |                     |
| 39                           | 1             | 1134-4749-01                 | Mutter               | Nut                        |                     |
| 40                           | 1             | 1134-2872-03                 | Chokereglage Kpl     | Choke Control              |                     |
| 41                           | 1             | 9699-0090-02                 | Bricka   Bricka      | Washer   Washer            |                     |
| 42                           | 1             | 9400-0282-01                 | Brytare (Med Diod)   | Switch                     |                     |
| 44                           | 1             | 1134-6097-01                 | Timräknare           | Hour Meter                 |                     |
| 45                           | 1             | 1134-4100-01                 | Täckpropp            | Plug                       |                     |
| 49                           | 1             | 9400-0280-03                 | Vippa Höjdinst       | Switch Cover-Height Adjust |                     |
| 99                           | 1             | 9400-0290-01                 | Verktyg F.Vippa      | Tool                       | Tillbehör/Accessory |



| Utgåva<br>Issue<br>36 - 2015 |               | Fotreglage        |                            | Foot controls        |                     |
|------------------------------|---------------|-------------------|----------------------------|----------------------|---------------------|
| Pos.<br>Fig.                 | Antal<br>Q.ty | Art nr<br>Part No | Benämning                  | Description          | Anmärkning<br>Notes |
| 1                            | 1             | 1134-5655-01      | Kopplingspedal Kpl         | Clutch Pedal         |                     |
| 2                            | 1             | 1134-9024-01      | Lager (4 St)               | Bearing              |                     |
| 3                            | 1             | 1134-5677-02      | Distans                    | Spacer               |                     |
| 4                            | 1             | 9997-1070-12      | Skruv                      | Screw                |                     |
| 5                            | 1             | 9699-0030-02      | Bricka                     | Washer               |                     |
| 6                            | 1             | 9739-1031-22      | Mutter                     | Nut                  |                     |
| 7                            | 1             | 1134-6005-01      | Reglagewire                | Control Cable        |                     |
| 8                            | 1             | 4231-0013-00      | Fjäder                     | Spring               |                     |
| 9                            | 1             | 1134-6467-01      | Wirefäste                  | Cable Holder         |                     |
| 10                           | 2             | 9959-0820-16      | Skruv                      | Screw                |                     |
| 11                           | 1             | 9739-0831-22      | Mutter                     | Nut                  |                     |
| 12                           | 1             | 9747-0831-02      | Mutter                     | Nut                  |                     |
| 13                           | 1             | 1134-6353-01      | Drivpedal                  | Drive Pedal          |                     |
| 14                           | 2             | 1134-6313-01      | Lager                      | Bearing              |                     |
| 15                           | 2             | 1134-2700-01      | Fäste                      | Bracket              |                     |
| 16                           | 2             | 9959-0820-16      | Skruv                      | Screw                |                     |
| 17                           | 2             | 9739-0831-22      | Mutter                     | Nut                  |                     |
| 18                           | 1             | 9997-0835-16      | Skruv                      | Screw                |                     |
| 19                           | 1             | 9739-0831-22      | Mutter                     | Nut                  |                     |
| 22                           | 1             | 1134-2766-05      | Reglagevajer               | Speed Control Cable  |                     |
| 23                           | 2             | 9570-0001-00      | Vinkellänk As8 Din 71802M5 | Elbow Link           |                     |
| 24                           | 2             | 9739-0531-22      | Mutter                     | Nut                  |                     |
| 25                           | 2             | 9747-0531-02      | Mutter                     | Nut                  |                     |
| 27                           | 1             | 1134-6317-01      | Wirefäste                  | Wire Bracket         |                     |
| 28                           | 2             | 9959-0620-16      | Skruv                      | Screw                |                     |
| 29                           | 2             | 9739-0631-22      | Mutter                     | Nut                  |                     |
| 30                           | 1             | 1134-3395-01      | Fäste 24 (5-01)            | Attachment           |                     |
| 31                           | 2             | 9959-0820-16      | Skruv                      | Screw                |                     |
| 32                           | 2             | 9739-0831-22      | Mutter                     | Nut                  |                     |
| 33                           | 1             | 1134-2021-01      | Växelwirefäste             | Clamp                |                     |
| 34                           | 1             | 1134-5353-01      | Bromsstang                 | Brake Rod            |                     |
| 34                           | 1             | 1134-5101-01      | Bromsstang                 | Brake Rod            |                     |
| 36                           | 1             | 1134-2786-01      | Knopp                      | Knob                 |                     |
| 36                           | 1             | 1134-3808-01      | Knopp                      | Knob                 |                     |
| 37                           | 1             | 1131-1497-01      | Fjäder                     | Brake Spring         |                     |
| 38                           | 1             | 1134-4002-01      | Fäste                      | Brake Rod Attachment |                     |
| 39                           | 1             | 9838-9516-12      | Skruv                      | Screw                |                     |
| 43                           | 1             | 1134-6340-02      | Fotstöd (5-01)             | Foot Rest            |                     |
| 44                           | 1             | 9959-0620-16      | Skruv                      | Screw                |                     |
| 45                           | 1             | 9739-0631-22      | Mutter                     | Nut                  |                     |

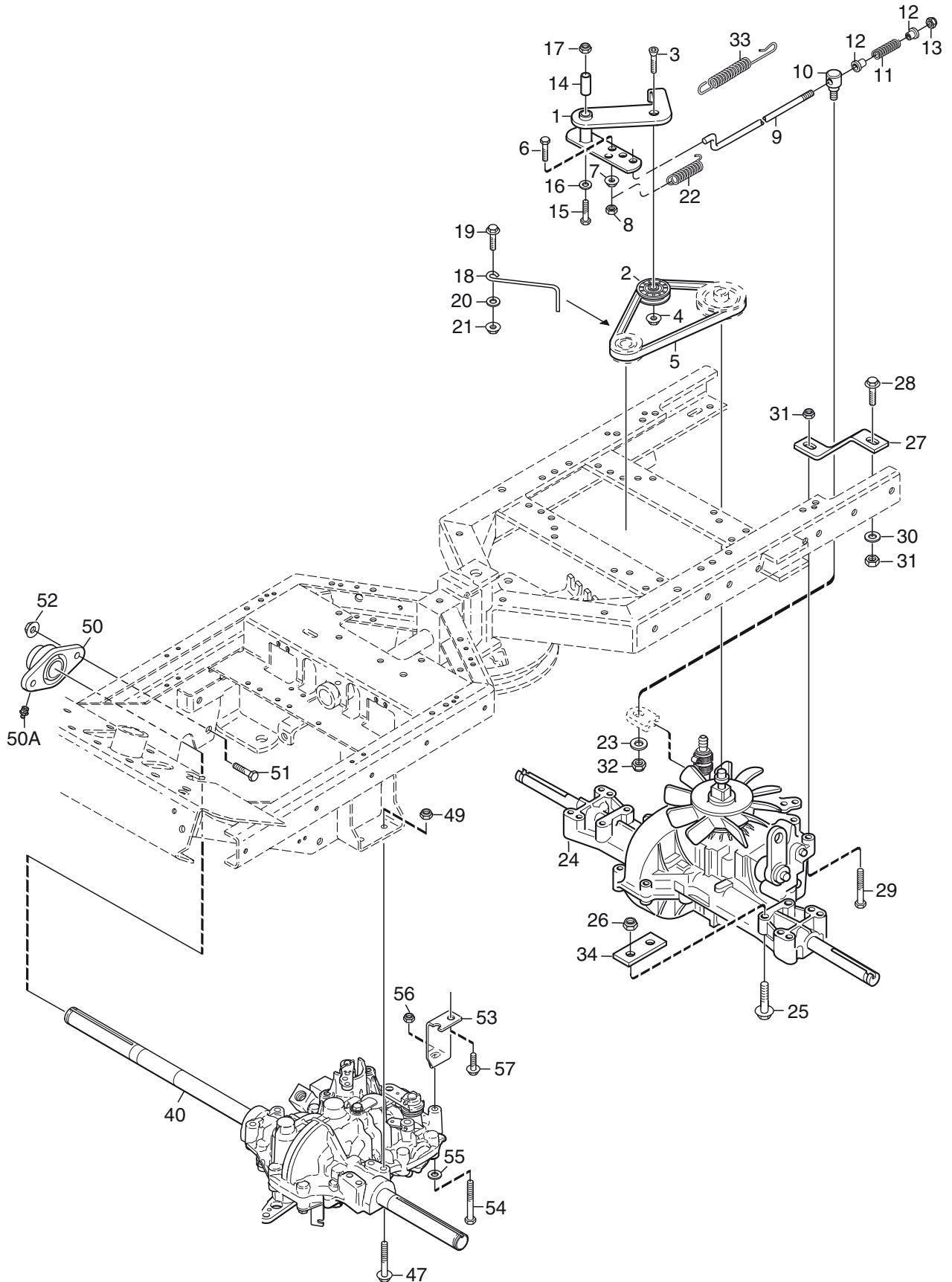


| Utgåva<br>Issue<br>36 - 2015 |               | Elsystem<br>Electric system |                      |                   |                     |
|------------------------------|---------------|-----------------------------|----------------------|-------------------|---------------------|
| Pos.<br>Fig.                 | Antal<br>Q.ty | Art nr<br>Part No           | Benämning            | Description       | Anmärkning<br>Notes |
| 1                            | 1             | 1134-5751-01                | Batteri              | Battery           |                     |
| 2                            | 1             | 1134-5994-01                | Batteribygel         | Battery Loop      |                     |
| 3                            | 1             | 1134-5995-01                | Batteribygel         | Battery Loop      |                     |
| 4                            | 1             | 1134-4481-02                | Vingmutter           | Wing Nut          |                     |
| 5                            | 1             | 9747-0631-02                | Mutter               | Nut               |                     |
| 6                            | 1             | 1134-2962-01                | Solenoid Kpl Service | Solenoid          | Inkl. pos 7         |
| 7                            | 2             | 9794-5131-02                | Mutter               | Nut               |                     |
| 8                            | 2             | 9852-8013-16                | Skruv                | Screw             |                     |
| 9                            | 2             | 9699-0060-02                | Bricka               | Washer            |                     |
| 10                           | 1             | 1134-4970-02                | Kabel                | Cable             |                     |
| 11                           | 1             | 1134-3491-01                | Säkringshallare      | Fuse Holder       |                     |
| 12                           | 1             | 1134-3496-01                | Säkring 10A Röd      | Fuse (10A)        | 10A                 |
| 12                           | 1             | 1134-3496-06                | Säkring 20 Amp Gul   | Fuse (20A)        | 20A                 |
| 12                           | 1             | 1134-3496-07                | Säkring (30A Grön)   | Fuse (30A)        | 30A                 |
| 13                           | 1             | 1134-3631-01                | Lock (5-01)          | Cover-Fuse Holder |                     |
| 14                           | 1             | 1134-3399-02                | Brytare              | Switch            |                     |
| 15                           | 2             | 9943-0516-16                | Skruv                | Screw             |                     |
| 19                           | 1             | 1134-7535-01                | Honkontakt           | Female Connector  |                     |
| 21                           | 2             | 9840-7716-16                | Skruv                | Screw             |                     |
| 22                           | 1             | 1134-0234-02                | Batterikabel (+)     | Battery Cable (+) |                     |
| 23                           | 1             | 1134-2310-01                | Batteriskydd         | Guard Cap (+)     |                     |
| 24                           | 5             | 9579-0003-00                | Buntband             | Cable Holder      |                     |
| 24                           | 2             | 9579-0018-01                | Buntband L390        | Cable             | L=390               |
| 27                           | 1             | 1137-0075-01                | Fäste                | Attachment 2010   |                     |
| 28                           | 1             | 9959-0820-16                | Skruv                | Screw             |                     |
| 29                           | 1             | 9739-0831-22                | Mutter               | Nut               |                     |
| 33                           | 2             | 9400-0358-01                | Led-Lampa            | Led-Lamp          |                     |
| 34                           | 1             | 1134-7505-01                | Kabelhärva           | Wiring harness    |                     |
| 37                           | 1             | 9959-0612-16                | Skruv                | Screw             |                     |
| 38                           | 1             | 9739-0631-22                | Mutter               | Nut               |                     |
| 39                           | 1             | 1134-6454-01                | Jordplat             | Ground Plate      |                     |
| 40                           | 1             | 1134-6441-01                | Kabelhärva           | Wiring harness    | B&S                 |
| 40                           | 1             | 1137-0027-01                | Kablage (Honda)      | Harness           | Honda               |

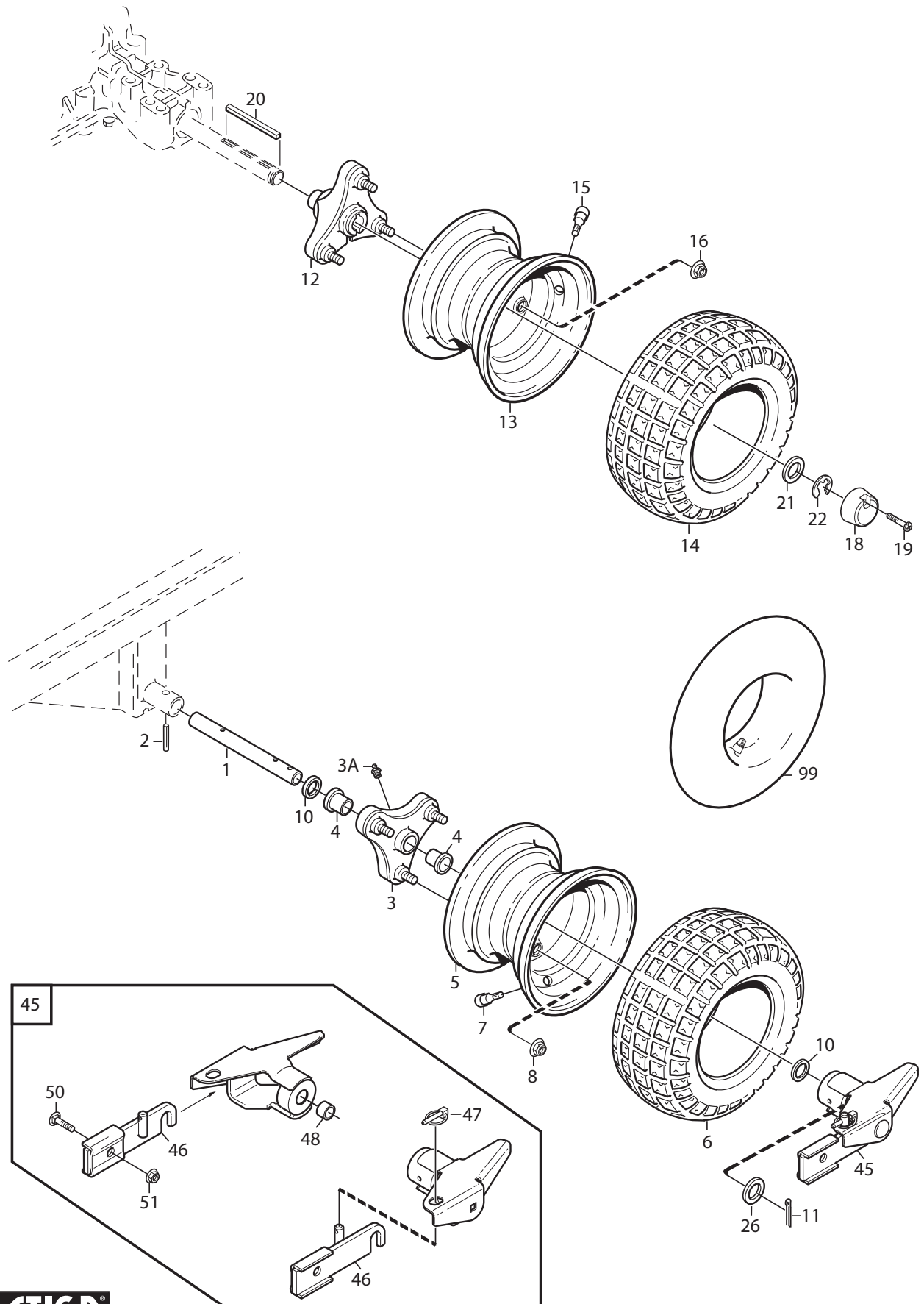




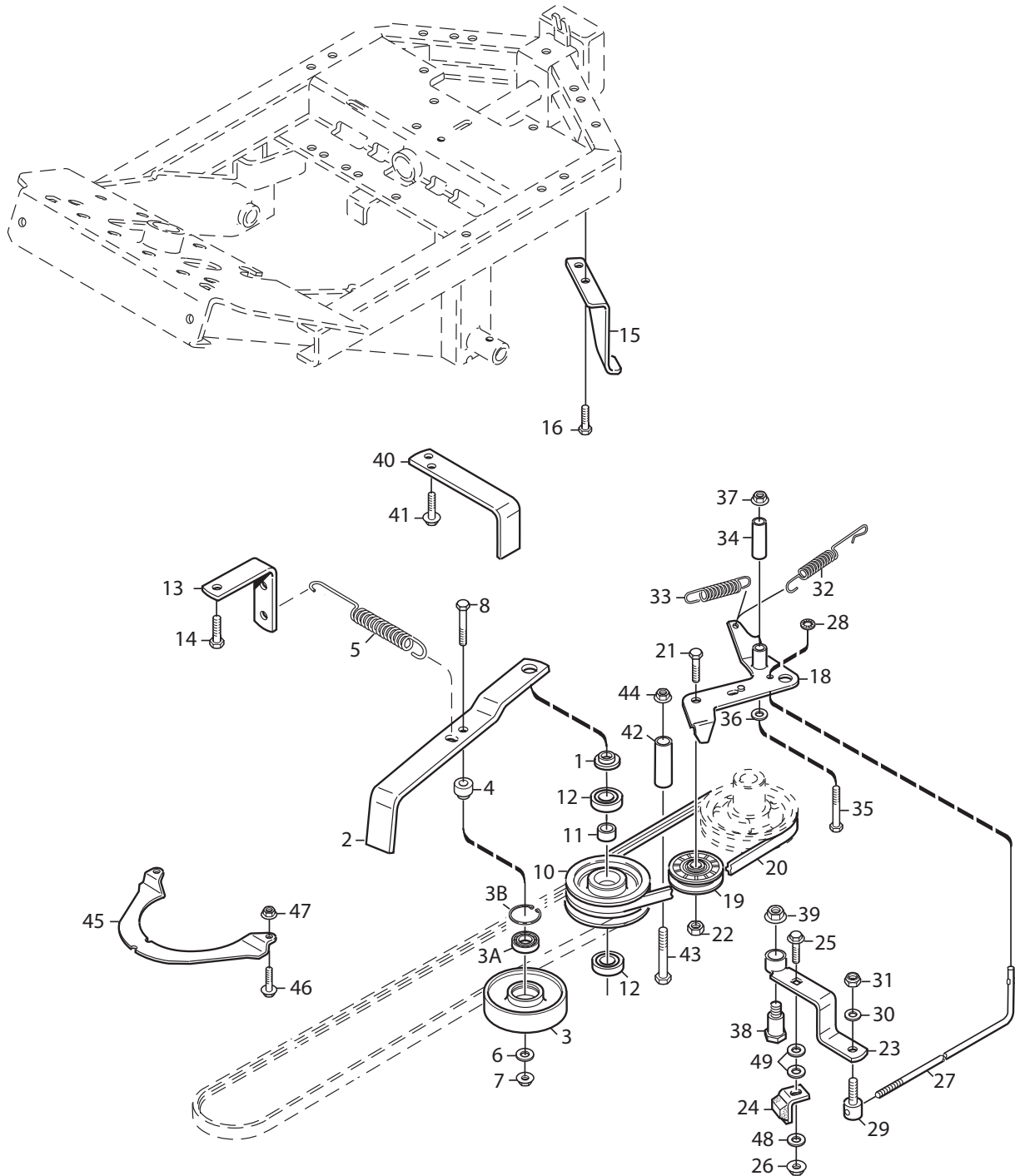
| Utgåva<br>Issue<br>36 - 2015 |               | Motor             | Engine                    |                     |                     |
|------------------------------|---------------|-------------------|---------------------------|---------------------|---------------------|
| Pos.<br>Fig.                 | Antal<br>Q.ty | Art nr<br>Part No | Benämning                 | Description         | Anmärkning<br>Notes |
| 2                            | 4             | 9955-3725-16      | Skruv                     | Screw               |                     |
| 3                            | 1             | 1134-6339-01      | Grenrör                   | Exhaust Pipe        |                     |
| 4                            | 1             | 9578-0011-01      | Rörklämma 38              | Tube Clamp          |                     |
| 5                            | 1             | 1134-6024-01      | Ljuddämpare Kpl           | Muffler Assy        |                     |
| 6                            | 1             | 9959-0820-16      | Skruv                     | Screw               |                     |
| 7                            | 1             | 9739-0831-22      | Mutter                    | Nut                 |                     |
| 8                            | 1             | 1134-5827-04      | Oljeavtappning Kpl        | Oil Drain Assy      | Inkl. pos 9 - 12    |
| 9                            | 1             | 1134-5825-01      | Nippel                    | Nipple              |                     |
| 10                           | 1             | 9578-0023-04      | Slangklämma 15*8 (Vit)    | Hose Clamp          |                     |
| 11                           | 1             | 1134-3499-02      | Slangklämma               | Hose Clamp          |                     |
| 12                           | 1             | 1134-5826-01      | Plugg                     | Plug                |                     |
| 13                           | 1             | 1137-0007-01      | Motorremskiva             | Engine Pulley       | Ī = 85 mm           |
| 14                           | 1             | 1137-0082-01      | Motorremskiva             | Engine Pulley       | Ī = 139 mm          |
| 15                           | 1             | 9600-0251-01      | Kil                       | Key                 |                     |
| 16                           | 1             | 1134-5017-01      | Bricka                    | Washer              |                     |
| 17                           | 1             | 9987-5332-16      | Skruv                     | Screw               |                     |
| 18                           | 1             | 1134-5938-01      | Bränsletank               | Fuel Tank           |                     |
| 19                           | 1             | 1134-5532-01      | Tanklock                  | Fuel Tank Cap       |                     |
| 20                           | 1             | 1134-3224-01      | Bensinkran                | Fuel Shut-Off Valve |                     |
| 21                           | 1             | 1134-3225-01      | Gummibussning             | Grommet             |                     |
| 22                           | 1             | 9505-0001-01      | Bensinslang               | Fuel Tube           | Per meter           |
| 23                           | 1             | 9578-0023-02      | Slangklämma D12*8 (Svart) | Hose Clamp          |                     |
| 24                           | 1             | 9578-0023-02      | Slangklämma D12*8 (Svart) | Hose Clamp          |                     |
| 25                           | 1             | 1134-5942-01      | Tankbygel                 | Tank Loop           |                     |
| 26                           | 1             | 1134-5996-01      | Tankbygel                 | Tank Loop           |                     |
| 27                           | 1             | 1134-4481-02      | Vingmutter                | Wing Nut            |                     |
| 28                           | 1             | 9747-0631-02      | Mutter                    | Nut                 |                     |
| 29                           | 1             | 9579-0003-00      | Buntband                  | Cable Holder        |                     |
| 30                           | 1             | 9852-8013-16      | Skruv                     | Screw               |                     |
| 32                           | 4             | 9939-0820-16      | Skruv                     | Screw               |                     |
| 42                           | 1             | 1134-0994-02      | Rörklammer                | Tube Clamp          |                     |
| 50                           | 1             | 1134-6234-01      | Deflektor                 | Heat Deflector      |                     |
| 51                           | 2             | 9943-0516-16      | Skruv                     | Screw               |                     |
| 52                           | 1             | 1134-6251-01      | Deflektor                 | Heat Deflector      |                     |
| 53                           | 4             | 9959-0612-16      | Skruv                     | Screw               |                     |
| 54                           | 4             | 9739-0631-22      | Mutter                    | Nut                 |                     |



| Utgåva<br>Issue<br>36 - 2015 |               | Transmission      |                           | Transmission              |                      |
|------------------------------|---------------|-------------------|---------------------------|---------------------------|----------------------|
| Pos.<br>Fig.                 | Antal<br>Q.ty | Art nr<br>Part No | Benämning                 | Description               | Anmärkning<br>Notes  |
| 24                           | 1             | 1137-0124-01      | Transaxel K574G           | Transaxle K574G           | Kanzaki K574G 2-port |
| 1                            | 1             | 1134-4000-02      | Spännarm Kpl 15           | Tension Arm               |                      |
| 2                            | 1             | 1134-3459-01      | Spännrulle                | Tension Roller            |                      |
| 3                            | 1             | 9924-1035-16      | Skruv                     | Screw                     |                      |
| 4                            | 1             | 9799-1031-02      | Mutter                    | Nut                       |                      |
| 5                            | 1             | 1134-9058-01      | Kilrem                    | V-Belt                    | = 9585-0091-01       |
| 6                            | 1             | 9997-0625-16      | Skruv                     | Screw                     |                      |
| 7                            | 1             | 9739-0631-22      | Mutter                    | Nut                       |                      |
| 8                            | 1             | 9747-0631-02      | Mutter                    | Nut                       |                      |
| 9                            | 1             | 1134-3377-02      | Reglagestang              | Control Rod               |                      |
| 10                           | 1             | 1134-4171-01      | Ledtapp                   | Pivot Pin                 |                      |
| 11                           | 1             | 1134-4183-01      | Fjäder                    | Spring                    |                      |
| 12                           | 2             | 1134-3456-01      | Bussning                  | Bushing                   |                      |
| 13                           | 1             | 9747-0631-02      | Mutter                    | Nut                       |                      |
| 14                           | 1             | 1134-1565-08      | Distans                   | Spacer                    |                      |
| 15                           | 1             | 9997-0870-16      | Skruv                     | Screw                     |                      |
| 16                           | 1             | 9699-0056-02      | Bricka                    | Washer                    |                      |
| 17                           | 1             | 9747-0831-02      | Mutter                    | Nut                       |                      |
| 18                           | 1             | 1134-3289-02      | Remstyrning               | Belt Guide                |                      |
| 19                           | 1             | 9959-0820-16      | Skruv                     | Screw                     |                      |
| 20                           | 1             | 9699-0056-02      | Bricka                    | Washer                    |                      |
| 21                           | 1             | 9739-0831-22      | Mutter                    | Nut                       |                      |
| 22                           | 1             | 1134-6414-01      | Fjäder                    | Spring                    |                      |
| 23                           | 1             | 9699-0060-02      | Bricka                    | Washer                    |                      |
| 25                           | 4             | 9960-0860-12      | Skruv                     | Screw                     |                      |
| 26                           | 4             | 9747-0831-02      | Mutter                    | Nut                       |                      |
| 27                           | 1             | 1134-3913-01      | Reaktionsstag 5-01 F24    | Strut                     |                      |
| 28                           | 1             | 9959-0825-16      | Skruv                     | Screw                     |                      |
| 29                           | 1             | 9997-0845-12      | Skruv                     | Screw                     |                      |
| 30                           | 1             | 9699-0090-02      | Bricka   Bricka           | Washer   Washer           |                      |
| 31                           | 2             | 9747-0831-02      | Mutter                    | Nut                       |                      |
| 32                           | 1             | 9747-0631-02      | Mutter                    | Nut                       |                      |
| 33                           | 1             | 4231-0013-00      | Fjäder                    | Spring                    |                      |
| 40                           | 1             | 1134-6029-01      | Motoraxel-Främre (Ktm10M) | Front Motor Unit (Ktm10M) | Kanzaki KTM 10M      |
| 47                           | 2             | 9960-0860-12      | Skruv                     | Screw                     |                      |
| 49                           | 2             | 9747-0831-02      | Mutter                    | Nut                       |                      |
| 50                           | 1             | 9501-0500-00      | Smörjkopp Kort Rak        | Grease Dispenser          |                      |
| 50                           | 1             | 1134-5703-01      | Flänslagerenhet           | Flange Bearing Unit       |                      |
| 51                           | 2             | 9997-1040-16      | Skruv                     | Screw                     |                      |
| 52                           | 2             | 9731-1031-22      | Mutter                    | Nut                       |                      |
| 53                           | 1             | 1134-5670-01      | Reaktionsstag 5-01        | Strut                     |                      |
| 54                           | 1             | 9997-0880-16      | Skruv                     | Screw                     |                      |
| 55                           | 1             | 9699-0090-02      | Bricka   Bricka           | Washer   Washer           |                      |
| 56                           | 1             | 9747-0831-02      | Mutter                    | Nut                       |                      |
| 57                           | 2             | 9945-0816-16      | Skruv                     | Screw                     |                      |



| Utgåva<br>Issue<br>36 - 2015 |               | Hjul<br>Wheels    |                                |                          |                               |
|------------------------------|---------------|-------------------|--------------------------------|--------------------------|-------------------------------|
| Pos.<br>Fig.                 | Antal<br>Q.ty | Art nr<br>Part No | Benämning                      | Description              | Anmärkning<br>Notes           |
| 1                            | 2             | 1134-0075-01      | Framaxeltapp                   | Front Axle               |                               |
| 2                            | 2             | 9595-0258-00      | Spännstift                     | Locating Pin             |                               |
| 3                            | 2             | 1134-4844-05      | Hjulnav Kpl                    | Wheel Hub Assy           |                               |
| 3                            | 1             | 9501-0500-00      | Smörjkopp Kort Rak             | Grease Dispenser         |                               |
| 4                            | 1             | 1134-9026-01      | Bussning                       | Bearing                  | Sats 4 st/kit of 4            |
| 5                            | 2             | 1134-4558-01      | Fälg                           | Rim                      |                               |
| 5                            | 2             | 1134-5255-01      | Fälg                           | Rim                      | Compact 14                    |
| 6                            | 2             | 9545-0116-00      | Däck                           | Tyre                     | 16 x 7.50 - 8                 |
| 6                            | 2             | 9545-0126-01      | Däck                           | Tyre                     | Compact 14, size<br>16x6.00-8 |
| 7                            | 2             | 9545-0500-00      | Ventil                         | Valve Assy.              |                               |
| 8                            | 6             | 9731-1031-22      | Mutter                         | Nut                      |                               |
| 10                           | 8             | 1134-0341-01      | Bricka                         | Washer                   |                               |
| 11                           | 2             | 9599-0080-02      | SaxSprint Sp 4*28              | Cotter Pin               |                               |
| 12                           | 2             | 1134-4844-02      | Hjulnav Kpl                    | Wheel Hub Assy           |                               |
| 13                           | 2             | 1134-4558-01      | Fälg                           | Rim                      |                               |
| 13                           | 2             | 1134-5255-01      | Fälg                           | Rim                      |                               |
| 14                           | 2             | 9545-0116-00      | Däck                           | Tyre                     | 16 x 7.50 - 8                 |
| 14                           | 2             | 9545-0126-01      | Däck                           | Tyre                     | Compact 14                    |
| 15                           | 2             | 9545-0500-00      | Ventil                         | Valve Assy.              |                               |
| 16                           | 6             | 9731-1031-22      | Mutter                         | Nut                      |                               |
| 18                           | 2             | 1134-4796-01      | Navkapsel                      | Hub Cap                  |                               |
| 19                           | 2             | 9947-0540-19      | Skruv                          | Screw                    |                               |
| 20                           | 2             | 1134-2471-01      | Kil                            | Key                      |                               |
| 21                           | 2             | 9699-0042-02      | Bricka                         | Washer                   |                               |
| 22                           | 2             | 9653-0001-04      | Sparryttare Rs                 | Lock Ring                |                               |
| 26                           | 2             | 9699-0042-02      | Bricka                         | Washer                   |                               |
| 45                           | 1             | 13-0992-61        | Rac Snabbfäste 2Wd Park        | Rac Quick Connection 2Wd | Inkl. pos 11,26,46-51         |
| 46                           | 1             | 1134-7465-01      | Sats-Fästen (Vä+Hö Inkl Skruv) | Attachment Kit           | Inkl. pos 50-51               |
| 47                           | 2             | 1137-0077-01      | Lassprint                      | Locking Pin              |                               |
| 48                           | 2             | 9548-0026-01      | Glidlager 20E7X26-20           | Bearing                  |                               |
| 50                           | 2             | 9898-1035-16      | Skruv                          | Screw                    |                               |
| 51                           | 2             | 9739-1031-22      | Mutter                         | Nut                      |                               |
| 99                           | 1             | 9545-0203-00      | Innerslang                     | Inner Tube               | Reservdel/spare part          |



| Utgåva<br>Issue<br>36 - 2015 |               | Kraftuttag<br>Power take-off |                      |                       |                     |
|------------------------------|---------------|------------------------------|----------------------|-----------------------|---------------------|
| Pos.<br>Fig.                 | Antal<br>Q.ty | Art nr<br>Part No            | Benämning            | Description           | Anmärkning<br>Notes |
| 1                            | 1             | 1134-5548-01                 | Distans              | Spacer                | Inkl. pos 3A-3B     |
| 2                            | 1             | 1134-5109-01                 | Spännhjulsarm        | Tension Wheel Arm     |                     |
| 3                            | 1             | 1137-0128-01                 | Spännhjul Kpl        | Tension Roller Assy   |                     |
| 3                            | 1             | 9549-0019-00                 | Kullager             | Ball Bearing          |                     |
| 3                            | 1             | 9651-0040-04                 | Sparring Sgh 40      | Circlip               |                     |
| 4                            | 1             | 1134-1888-04                 | Distans              | Spacer                |                     |
| 5                            | 1             | 1134-5111-01                 | Fjäder               | Spring                |                     |
| 6                            | 1             | 9699-0056-02                 | Bricka               | Washer                |                     |
| 7                            | 1             | 9739-0831-22                 | Mutter               | Nut                   | Inkl. pos 11-12     |
| 8                            | 1             | 9997-0855-12                 | Skruv                | Screw                 |                     |
| 10                           | 1             | 1137-0004-01                 | Centrumremskiva Smst | Centre Pulley Assy    |                     |
| 11                           | 1             | 1134-0051-09                 | Distans              | Spacer                |                     |
| 12                           | 2             | 9549-0019-00                 | Kullager             | Ball Bearing          |                     |
| 13                           | 1             | 1134-5112-01                 | Fjäder               | Spring                |                     |
| 14                           | 2             | 9945-0816-16                 | Skruv                | Screw                 |                     |
| 15                           | 1             | 1134-5110-01                 | Hake                 | Hook                  |                     |
| 16                           | 2             | 9893-0616-16                 | Skruv                | Screw                 |                     |
| 18                           | 1             | 1134-2018-02                 | Spännarm Kpl 5-01 24 | Tension Arm           | 9585-0129-01        |
| 19                           | 1             | 1134-9027-02                 | Spännrulle (Gra)     | Tension Roller (Grey) |                     |
| 20                           | 1             | 1134-9071-01                 | Drivrem              | Belt                  |                     |
| 21                           | 1             | 9997-1030-16                 | Skruv                | Screw                 |                     |
| 22                           | 1             | 9799-1031-02                 | Mutter               | Nut                   |                     |
| 23                           | 1             | 1134-4111-01                 | Bromsarm Kpl         | Brake Arm             |                     |
| 24                           | 1             | 1134-4164-03                 | Bromsklots           | Brake Pad             |                     |
| 25                           | 1             | 9897-0825-16                 | Skruv                | Screw                 |                     |
| 26                           | 1             | 9747-0831-02                 | Mutter               | Nut                   |                     |
| 27                           | 1             | 1134-4162-01                 | Bromsstang           | Brake Rod             |                     |
| 28                           | 1             | 9675-0008-02                 | Starlockbricka       | Starlock              |                     |
| 29                           | 1             | 1134-4170-01                 | Nippel               | Nippel                |                     |
| 30                           | 1             | 9699-0025-02                 | Bricka               | Washer                |                     |
| 31                           | 1             | 9747-0631-02                 | Mutter               | Nut                   |                     |
| 32                           | 1             | 4231-0013-00                 | Fjäder               | Spring                |                     |
| 33                           | 1             | 1134-4231-01                 | Fjäder               | Brake Spring          |                     |
| 34                           | 1             | 1134-1565-10                 | Distans              | Spacer                |                     |
| 35                           | 1             | 9997-0860-12                 | Skruv                | Screw                 |                     |
| 36                           | 1             | 9699-0056-02                 | Bricka               | Washer                |                     |
| 37                           | 1             | 9739-0831-22                 | Mutter               | Nut                   |                     |
| 38                           | 1             | 1134-4163-01                 | Ansattsskruv         | Shoulder Bolt         |                     |
| 39                           | 1             | 9731-1031-22                 | Mutter               | Nut                   |                     |
| 40                           | 1             | 1134-3958-01                 | Remstyrning          | Belt Guide            |                     |
| 41                           | 2             | 9893-0616-16                 | Skruv                | Screw                 |                     |
| 42                           | 1             | 1134-0041-03                 | Bussning             | Bushing               |                     |
| 43                           | 1             | 9997-1070-12                 | Skruv                | Screw                 |                     |
| 44                           | 1             | 9739-1031-22                 | Mutter               | Nut                   |                     |
| 45                           | 1             | 1134-3654-01                 | Fingerskydd 5-01 24  | Guard                 |                     |
| 46                           | 2             | 9959-0612-16                 | Skruv                | Screw                 |                     |
| 47                           | 2             | 9739-0631-22                 | Mutter               | Nut                   |                     |
| 48                           | 1             | 9699-0090-02                 | Bricka   Bricka      | Washer   Washer       |                     |
| 49                           | 2             | 9699-0035-02                 | Bricka               | Washer                |                     |

| code         | pos. | q.ty | page  |              |    |   |       |              |    |   |       |  |  |  |  |
|--------------|------|------|-------|--------------|----|---|-------|--------------|----|---|-------|--|--|--|--|
| 13-0992-61   | 45   | 1    | p. 29 | 1134-3808-01 | 36 | 1 | p. 21 | 1134-5179-01 | 16 | 1 | p. 13 |  |  |  |  |
|              | 31   | 1    | p. 3  | 1134-3817-01 | 15 | 1 | p. 15 | 1134-5255-01 | 5  | 2 | p. 29 |  |  |  |  |
| 1131-1497-01 | 37   | 1    | p. 21 | 1134-3817-02 | 15 | 1 | p. 15 | 1134-5255-01 | 13 | 2 | p. 29 |  |  |  |  |
| 1134-0031-00 | 3    | 1    | p. 9  | 1134-3913-01 | 27 | 1 | p. 27 | 1134-5299-01 | 11 | 1 | p. 13 |  |  |  |  |
| 1134-0041-01 | 26   | 2    | p. 15 | 1134-3958-01 | 40 | 1 | p. 31 | 1134-5302-01 | 10 | 1 | p. 13 |  |  |  |  |
| 1134-0041-02 | 11   | 2    | p. 15 | 1134-3963-02 | 2  | 1 | p. 9  | 1134-5353-01 | 34 | 1 | p. 21 |  |  |  |  |
| 1134-0041-03 | 42   | 1    | p. 31 | 1134-3970-02 | 26 | 1 | p. 5  | 1134-5358-01 | 21 | 1 | p. 19 |  |  |  |  |
| 1134-0046-00 | 27   | 2    | p. 15 | 1134-3970-05 | 25 | 1 | p. 5  | 1134-5512-01 | 13 | 1 | p. 3  |  |  |  |  |
| 1134-0051-09 | 11   | 1    | p. 31 | 1134-3979-01 | 18 | 1 | p. 5  | 1134-5532-01 | 19 | 1 | p. 25 |  |  |  |  |
| 1134-0075-01 | 1    | 2    | p. 29 | 1134-3990-01 | 34 | 1 | p. 13 | 1134-5548-01 | 1  | 1 | p. 31 |  |  |  |  |
| 1134-0234-02 | 22   | 1    | p. 23 | 1134-4000-02 | 1  | 1 | p. 27 | 1134-5651-01 | 9  | 4 | p. 15 |  |  |  |  |
| 1134-0240-00 | 11   | 1    | p. 19 | 1134-4002-01 | 38 | 1 | p. 21 | 1134-5652-01 | 8  | 2 | p. 15 |  |  |  |  |
| 1134-0240-00 | 16   | 2    | p. 11 | 1134-4012-03 | 15 | 1 | p. 7  | 1134-5653-01 | 19 | 4 | p. 15 |  |  |  |  |
| 1134-0240-00 | 18   | 2    | p. 13 | 1134-4012-04 | 16 | 1 | p. 7  | 1134-5655-01 | 1  | 1 | p. 21 |  |  |  |  |
| 1134-0240-00 | 26   | 2    | p. 9  | 1134-4065-01 | 5  | 1 | p. 19 | 1134-5670-01 | 53 | 1 | p. 27 |  |  |  |  |
| 1134-0341-01 | 10   | 8    | p. 29 | 1134-4072-01 | 18 | 1 | p. 19 | 1134-5676-01 | 24 | 1 | p. 9  |  |  |  |  |
| 1134-0994-02 | 42   | 1    | p. 25 | 1134-4077-01 | 9  | 1 | p. 19 | 1134-5677-02 | 3  | 1 | p. 21 |  |  |  |  |
| 1134-1305-03 | 34   | 1    | p. 15 | 1134-4078-01 | 10 | 1 | p. 19 | 1134-5698-01 | 30 | 1 | p. 13 |  |  |  |  |
| 1134-1565-06 | 13   | 1    | p. 13 | 1134-4079-01 | 6  | 1 | p. 19 | 1134-5703-01 | 50 | 1 | p. 27 |  |  |  |  |
| 1134-1565-06 | 56   | 1    | p. 15 | 1134-4080-03 | 7  | 1 | p. 19 | 1134-5705-01 | 8  | 1 | p. 9  |  |  |  |  |
| 1134-1565-08 | 14   | 1    | p. 27 | 1134-4093-01 | 36 | 1 | p. 19 | 1134-5751-01 | 1  | 1 | p. 23 |  |  |  |  |
| 1134-1565-08 | 41   | 2    | p. 13 | 1134-4100-01 | 25 | 2 | p. 9  | 1134-5825-01 | 9  | 1 | p. 25 |  |  |  |  |
| 1134-1565-10 | 34   | 1    | p. 31 | 1134-4100-01 | 45 | 1 | p. 19 | 1134-5826-01 | 12 | 1 | p. 25 |  |  |  |  |
| 1134-1888-04 | 4    | 1    | p. 31 | 1134-4111-01 | 23 | 1 | p. 31 | 1134-5827-04 | 8  | 1 | p. 25 |  |  |  |  |
| 1134-1901-01 | 35   | 2    | p. 15 | 1134-4117-01 | 1  | 1 | p. 11 | 1134-5938-01 | 18 | 1 | p. 25 |  |  |  |  |
| 1134-2018-02 | 18   | 1    | p. 31 | 1134-4129-01 | 35 | 5 | p. 19 | 1134-5942-01 | 25 | 1 | p. 25 |  |  |  |  |
| 1134-2021-01 | 33   | 1    | p. 21 | 1134-4130-01 | 37 | 1 | p. 13 | 1134-5944-01 | 19 | 1 | p. 9  |  |  |  |  |
| 1134-2171-01 | 6    | 1    | p. 9  | 1134-4154-01 | 34 | 1 | p. 19 | 1134-5988-01 | 11 | 1 | p. 9  |  |  |  |  |
| 1134-2310-01 | 23   | 1    | p. 23 | 1134-4156-01 | 1  | 1 | p. 19 | 1134-5994-01 | 2  | 1 | p. 23 |  |  |  |  |
| 1134-2471-01 | 20   | 2    | p. 29 | 1134-4162-01 | 27 | 1 | p. 31 | 1134-5995-01 | 3  | 1 | p. 23 |  |  |  |  |
| 1134-2551-01 | 19   | 1    | p. 19 | 1134-4163-01 | 38 | 1 | p. 31 | 1134-5996-01 | 26 | 1 | p. 25 |  |  |  |  |
| 1134-2684-01 | 2    | 2    | p. 11 | 1134-4164-03 | 24 | 1 | p. 31 | 1134-6005-01 | 7  | 1 | p. 21 |  |  |  |  |
| 1134-2700-01 | 15   | 2    | p. 21 | 1134-4170-01 | 29 | 1 | p. 31 | 1134-6024-01 | 5  | 1 | p. 25 |  |  |  |  |
| 1134-2766-05 | 22   | 1    | p. 21 | 1134-4171-01 | 10 | 1 | p. 27 | 1134-6025-01 | 1  | 1 | p. 7  |  |  |  |  |
| 1134-2786-01 | 36   | 1    | p. 21 | 1134-4176-01 | 4  | 2 | p. 5  | 1134-6026-01 | 6  | 1 | p. 7  |  |  |  |  |
| 1134-2816-01 | 10   | 2    | p. 15 | 1134-4176-01 | 12 | 2 | p. 5  | 1134-6027-01 | 7  | 1 | p. 7  |  |  |  |  |
| 1134-2816-01 | 18   | 4    | p. 15 | 1134-4183-01 | 11 | 1 | p. 27 | 1134-6027-02 | 8  | 1 | p. 7  |  |  |  |  |
| 1134-2824-02 | 7    | 12   | p. 15 | 1134-4231-01 | 33 | 1 | p. 31 | 1134-6029-01 | 40 | 1 | p. 27 |  |  |  |  |
| 1134-2837-03 | 42   | 1    | p. 15 | 1134-4242-01 | 12 | 2 | p. 19 | 1134-6068-01 | 7  | 1 | p. 13 |  |  |  |  |
| 1134-2872-03 | 40   | 1    | p. 19 | 1134-4242-01 | 27 | 2 | p. 9  | 1134-6073-01 | 4  | 1 | p. 13 |  |  |  |  |
| 1134-2962-01 | 6    | 1    | p. 23 | 1134-4256-01 | 31 | 1 | p. 13 | 1134-6078-01 | 22 | 4 | p. 13 |  |  |  |  |
| 1134-3156-01 | 8    | 1    | p. 13 | 1134-4360-01 | 17 | 1 | p. 5  | 1134-6090-01 | 2  | 1 | p. 13 |  |  |  |  |
| 1134-3156-02 | 9    | 1    | p. 13 | 1134-4481-02 | 4  | 1 | p. 23 | 1134-6096-02 | 32 | 1 | p. 19 |  |  |  |  |
| 1134-3224-01 | 20   | 1    | p. 25 | 1134-4481-02 | 27 | 1 | p. 25 | 1134-6097-01 | 44 | 1 | p. 19 |  |  |  |  |
| 1134-3225-01 | 21   | 1    | p. 25 | 1134-4481-02 | 66 | 1 | p. 17 | 1134-6113-02 | 17 | 1 | p. 3  |  |  |  |  |
| 1134-3262-01 | 3    | 1    | p. 13 | 1134-4558-01 | 5  | 2 | p. 29 | 1134-6234-01 | 50 | 1 | p. 25 |  |  |  |  |
| 1134-3289-02 | 18   | 1    | p. 27 | 1134-4558-01 | 13 | 2 | p. 29 | 1134-6241-01 | 19 | 1 | p. 7  |  |  |  |  |
| 1134-3377-02 | 9    | 1    | p. 27 | 1134-4620-02 | 19 | 2 | p. 13 | 1134-6251-01 | 52 | 1 | p. 25 |  |  |  |  |
| 1134-3395-01 | 30   | 1    | p. 21 | 1134-4734-01 | 10 | 2 | p. 3  | 1134-6310-01 | 9  | 4 | p. 7  |  |  |  |  |
| 1134-3399-02 | 14   | 1    | p. 23 | 1134-4749-01 | 39 | 1 | p. 19 | 1134-6313-01 | 14 | 2 | p. 21 |  |  |  |  |
| 1134-3456-01 | 12   | 2    | p. 27 | 1134-4796-01 | 18 | 2 | p. 29 | 1134-6317-01 | 27 | 1 | p. 21 |  |  |  |  |
| 1134-3459-01 | 2    | 1    | p. 27 | 1134-4800-01 | 21 | 1 | p. 7  | 1134-6327-01 | 27 | 1 | p. 19 |  |  |  |  |
| 1134-3491-01 | 11   | 1    | p. 23 | 1134-4801-01 | 24 | 1 | p. 7  | 1134-6328-01 | 25 | 1 | p. 19 |  |  |  |  |
| 1134-3496-01 | 12   | 1    | p. 23 | 1134-4817-01 | 12 | 2 | p. 15 | 1134-6339-01 | 3  | 1 | p. 25 |  |  |  |  |
| 1134-3496-06 | 12   | 1    | p. 23 | 1134-4844-02 | 12 | 2 | p. 29 | 1134-6340-02 | 43 | 1 | p. 21 |  |  |  |  |
| 1134-3496-07 | 12   | 1    | p. 23 | 1134-4844-05 | 3  | 2 | p. 29 | 1134-6353-01 | 13 | 1 | p. 21 |  |  |  |  |
| 1134-3499-02 | 11   | 1    | p. 25 | 1134-4938-01 | 17 | 1 | p. 11 | 1134-6372-04 | 17 | 1 | p. 9  |  |  |  |  |
| 1134-3547-01 | 25   | 3    | p. 15 | 1134-4945-01 | 3  | 1 | p. 11 | 1134-6374-02 | 3  | 1 | p. 15 |  |  |  |  |
| 1134-3550-01 | 5    | 1    | p. 15 | 1134-4970-02 | 10 | 1 | p. 23 | 1134-6374-05 | 4  | 1 | p. 15 |  |  |  |  |
| 1134-3550-02 | 5    | 1    | p. 15 | 1134-5017-01 | 16 | 1 | p. 25 | 1134-6374-09 | 2  | 2 | p. 15 |  |  |  |  |
| 1134-3565-01 | 6    | 4    | p. 15 | 1134-5101-01 | 34 | 1 | p. 21 | 1134-6374-10 | 1  | 1 | p. 15 |  |  |  |  |
| 1134-3573-03 | 20   | 1    | p. 19 | 1134-5109-01 | 2  | 1 | p. 31 | 1134-6380-03 | 70 | 1 | p. 17 |  |  |  |  |
| 1134-3631-01 | 13   | 1    | p. 23 | 1134-5110-01 | 15 | 1 | p. 31 | 1134-6414-01 | 22 | 1 | p. 27 |  |  |  |  |
| 1134-3654-01 | 45   | 1    | p. 31 | 1134-5111-01 | 5  | 1 | p. 31 | 1134-6441-01 | 40 | 1 | p. 23 |  |  |  |  |
| 1134-3752-01 | 54   | 1    | p. 15 | 1134-5112-01 | 13 | 1 | p. 31 | 1134-6444-01 | 1  | 1 | p. 13 |  |  |  |  |
| 1134-3769-01 | 53   | 1    | p. 15 | 1134-5173-02 | 52 | 1 | p. 15 | 1134-6454-01 | 39 | 1 | p. 23 |  |  |  |  |
|              |      |      |       | 1134-5177-01 | 64 | 1 | p. 17 | 1134-6460-01 | 32 | 1 | p. 5  |  |  |  |  |





| code         | pos. | q.ty | page  |              |    |   |       |
|--------------|------|------|-------|--------------|----|---|-------|
| 9852-8013-16 | 30   | 1    | p. 25 | 9997-0625-16 | 6  | 1 | p. 27 |
| 9893-0616-16 | 2    | 4    | p. 7  | 9997-0625-16 | 18 | 2 | p. 11 |
| 9893-0616-16 | 3    | 2    | p. 5  | 9997-0630-12 | 67 | 1 | p. 17 |
| 9893-0616-16 | 5    | 1    | p. 13 | 9997-0640-12 | 10 | 1 | p. 11 |
| 9893-0616-16 | 11   | 6    | p. 5  | 9997-0835-16 | 18 | 1 | p. 21 |
| 9893-0616-16 | 16   | 2    | p. 31 | 9997-0840-12 | 14 | 1 | p. 13 |
| 9893-0616-16 | 18   | 2    | p. 9  | 9997-0845-12 | 29 | 1 | p. 27 |
| 9893-0616-16 | 20   | 3    | p. 7  | 9997-0855-12 | 8  | 1 | p. 31 |
| 9893-0616-16 | 23   | 4    | p. 5  | 9997-0860-12 | 35 | 1 | p. 31 |
| 9893-0616-16 | 23   | 4    | p. 7  | 9997-0870-16 | 15 | 1 | p. 27 |
| 9893-0616-16 | 26   | 2    | p. 19 | 9997-0870-16 | 55 | 1 | p. 15 |
| 9893-0616-16 | 27   | 4    | p. 5  | 9997-0880-16 | 54 | 1 | p. 27 |
| 9893-0616-16 | 28   | 4    | p. 19 | 9997-1030-16 | 21 | 1 | p. 31 |
| 9893-0616-16 | 41   | 2    | p. 15 | 9997-1040-16 | 28 | 2 | p. 15 |
| 9893-0616-16 | 41   | 2    | p. 31 | 9997-1040-16 | 51 | 2 | p. 27 |
| 9897-0616-16 | 29   | 2    | p. 5  | 9997-1060-12 | 21 | 2 | p. 15 |
| 9897-0820-16 | 2    | 2    | p. 19 | 9997-1070-12 | 4  | 1 | p. 21 |
| 9897-0820-16 | 13   | 1    | p. 11 | 9997-1070-12 | 43 | 1 | p. 31 |
| 9897-0820-16 | 32   | 4    | p. 15 |              |    |   |       |
| 9897-0820-16 | 35   | 2    | p. 13 |              |    |   |       |
| 9897-0820-16 | 42   | 4    | p. 13 |              |    |   |       |
| 9897-0825-16 | 25   | 1    | p. 31 |              |    |   |       |
| 9897-0880-12 | 40   | 2    | p. 13 |              |    |   |       |
| 9897-1060-12 | 23   | 2    | p. 15 |              |    |   |       |
| 9898-1035-16 | 18   | 2    | p. 3  |              |    |   |       |
| 9898-1035-16 | 50   | 2    | p. 29 |              |    |   |       |
| 9924-1035-16 | 3    | 1    | p. 27 |              |    |   |       |
| 9924-1235-19 | 32   | 1    | p. 13 |              |    |   |       |
| 9939-0820-16 | 32   | 4    | p. 25 |              |    |   |       |
| 9943-0516-16 | 15   | 2    | p. 23 |              |    |   |       |
| 9943-0516-16 | 17   | 1    | p. 19 |              |    |   |       |
| 9943-0516-16 | 30   | 2    | p. 9  |              |    |   |       |
| 9943-0516-16 | 51   | 2    | p. 25 |              |    |   |       |
| 9945-0816-16 | 8    | 6    | p. 5  |              |    |   |       |
| 9945-0816-16 | 14   | 2    | p. 31 |              |    |   |       |
| 9945-0816-16 | 20   | 2    | p. 9  |              |    |   |       |
| 9945-0816-16 | 57   | 2    | p. 27 |              |    |   |       |
| 9946-0525-16 | 19   | 3    | p. 5  |              |    |   |       |
| 9946-0525-16 | 33   | 4    | p. 19 |              |    |   |       |
| 9946-0525-16 | 43   | 2    | p. 5  |              |    |   |       |
| 9947-0540-19 | 19   | 2    | p. 29 |              |    |   |       |
| 9950-0570-12 | 20   | 2    | p. 5  |              |    |   |       |
| 9955-3725-16 | 2    | 4    | p. 25 |              |    |   |       |
| 9959-0612-16 | 37   | 1    | p. 23 |              |    |   |       |
| 9959-0612-16 | 46   | 2    | p. 31 |              |    |   |       |
| 9959-0612-16 | 53   | 4    | p. 25 |              |    |   |       |
| 9959-0620-16 | 28   | 2    | p. 21 |              |    |   |       |
| 9959-0620-16 | 44   | 1    | p. 21 |              |    |   |       |
| 9959-0820-16 | 6    | 1    | p. 25 |              |    |   |       |
| 9959-0820-16 | 8    | 2    | p. 19 |              |    |   |       |
| 9959-0820-16 | 10   | 2    | p. 21 |              |    |   |       |
| 9959-0820-16 | 14   | 2    | p. 3  |              |    |   |       |
| 9959-0820-16 | 16   | 2    | p. 21 |              |    |   |       |
| 9959-0820-16 | 17   | 1    | p. 7  |              |    |   |       |
| 9959-0820-16 | 19   | 1    | p. 27 |              |    |   |       |
| 9959-0820-16 | 21   | 2    | p. 9  |              |    |   |       |
| 9959-0820-16 | 23   | 4    | p. 13 |              |    |   |       |
| 9959-0820-16 | 28   | 1    | p. 23 |              |    |   |       |
| 9959-0820-16 | 31   | 2    | p. 21 |              |    |   |       |
| 9959-0820-16 | 33   | 2    | p. 5  |              |    |   |       |
| 9959-0825-16 | 28   | 1    | p. 27 |              |    |   |       |
| 9959-1025-16 | 14   | 2    | p. 9  |              |    |   |       |
| 9960-0860-12 | 25   | 4    | p. 27 |              |    |   |       |
| 9960-0860-12 | 47   | 2    | p. 27 |              |    |   |       |
| 9987-5332-16 | 17   | 1    | p. 25 |              |    |   |       |
| 9997-0535-16 | 31   | 3    | p. 7  |              |    |   |       |