



Reservdelskatalog Parts Catalogue

PARK PRESIDENT HST

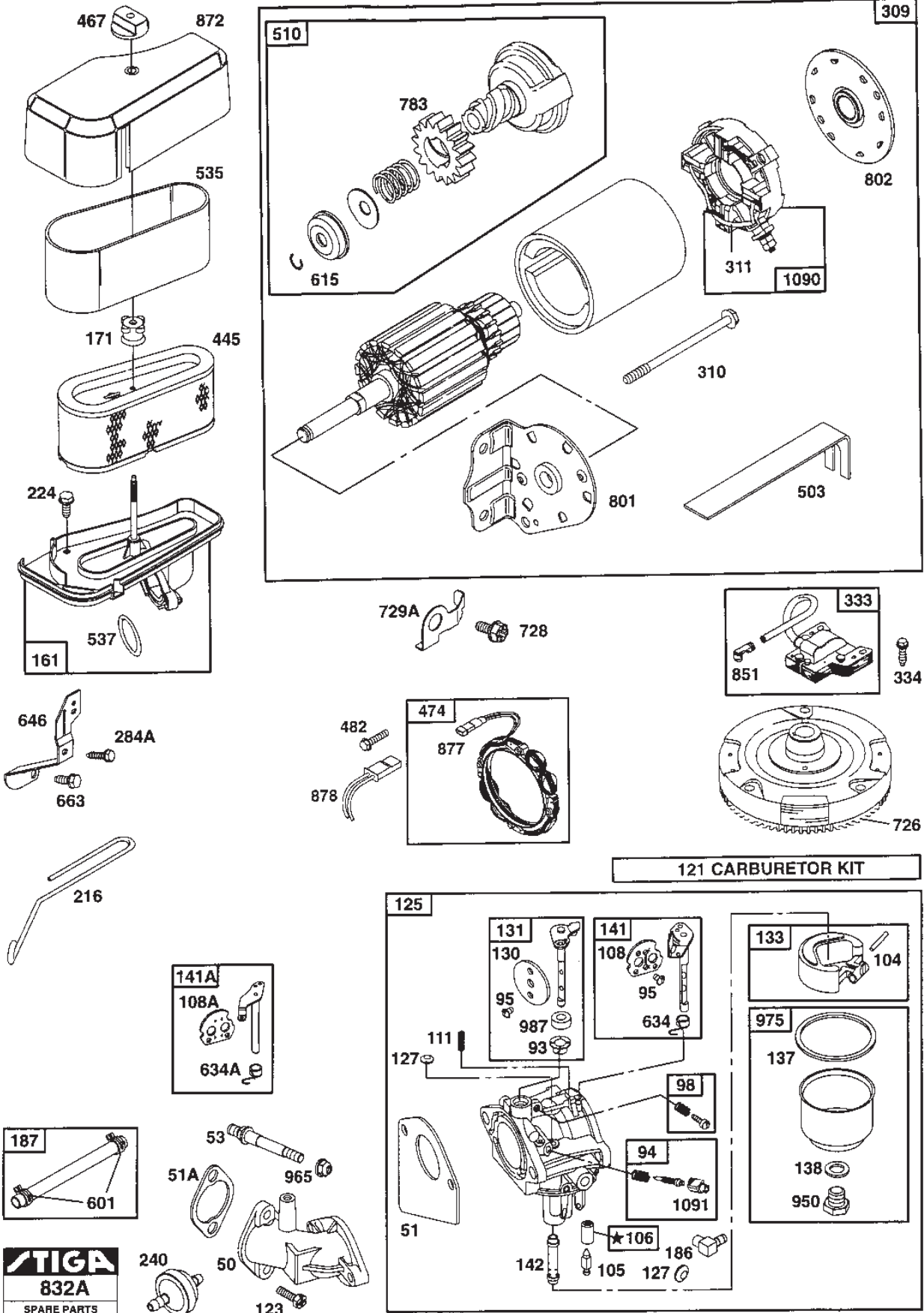
13-1358-21 - Season 1998

- Use GLOBAL GARDEN PRODUCT Genuine Spare Parts specified in the parts list for repair and/or replacement.
 - The contents described in the parts list may change due to improvement.
 - The drawings of the spare parts are only indicative and might not represent the part in question exactly.
 - The indications "right" - "left" - "front" - "rear" refer to the position of the operator when using the machine.
- When placing orders of parts for repair and/or replacement, make sure that the illustrated parts list is the one applying to the machine's year of manufacture, as shown on the identification plate attached to the machine.

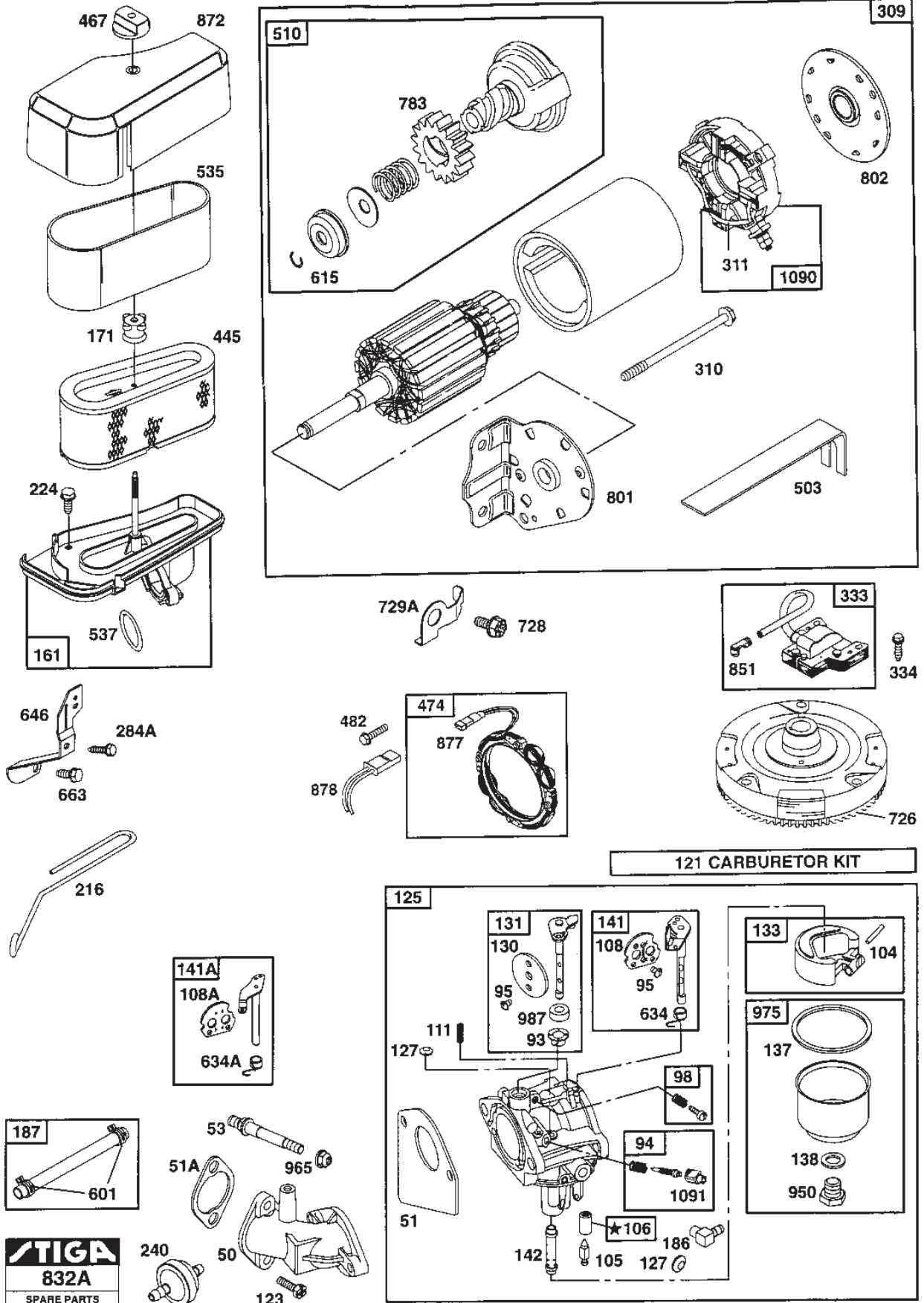
© Copyright 2014 Global Garden Products

All rights reserved. No part of this material may be reproduced or transmitted, in any form or by any means, electronic or mechanical, including photocopying, recording or by any information storage and retrieval system, without permission in writing from GLOBAL GARDEN PRODUCTS.

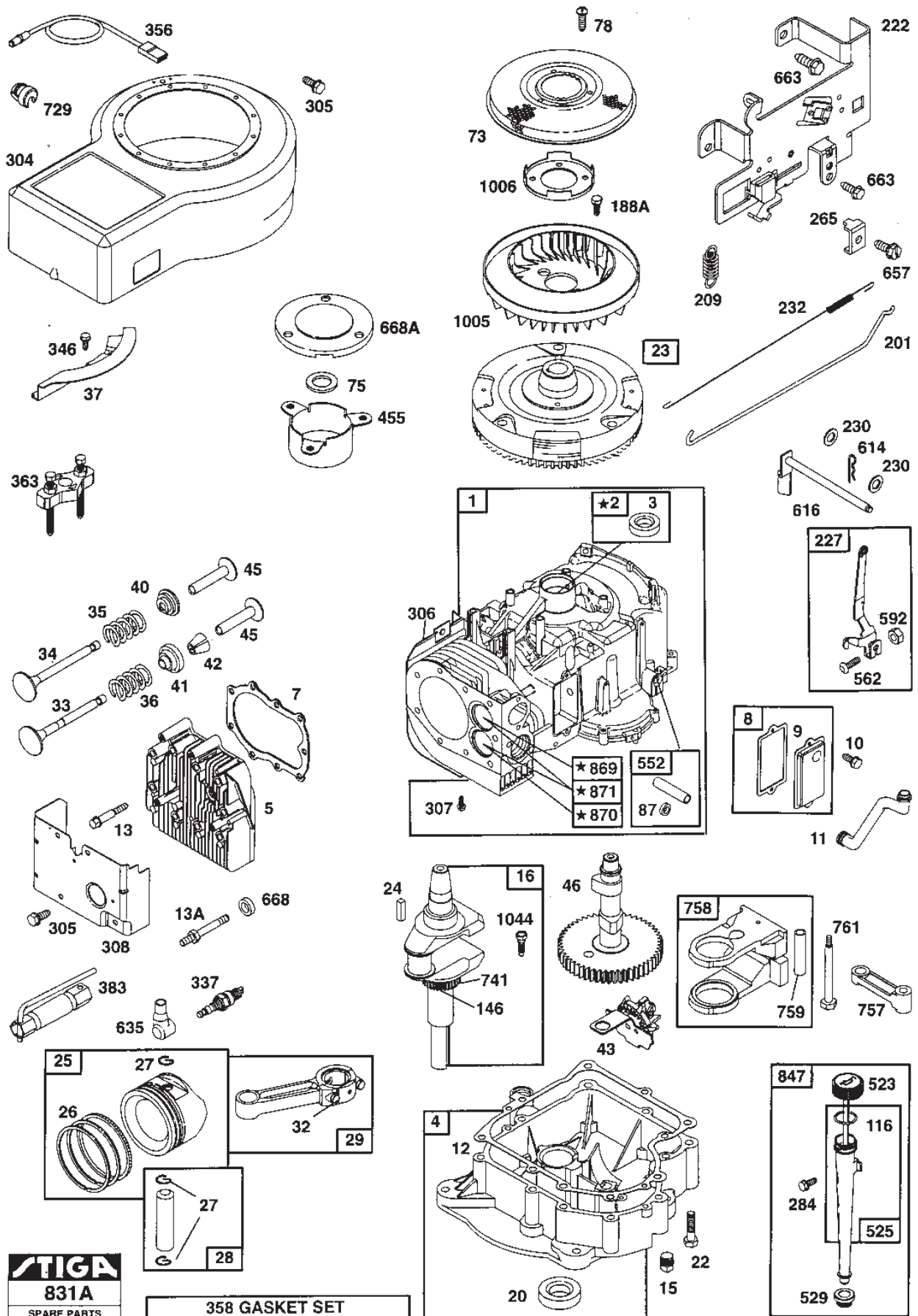
www.stiga.com



Utgåva Issue 46 - 2014		Förgasare Startmotor	Carburettor Starter Motor		
Pos. Fig.	Antal Quantity	Art nr Part No	Benämning	Description	Anmärkning Notes
50	1	213819	Carburettor elbow	Carburettor elbow	
51	1	272465	Packning	Gasket	
51	1	272554	Packning	Gasket	
53	2	94637	Skruv	Screw	
93	1	281346	Bussning	Bushing	
94	1	494383	Nalventil	Needle valve	
95	2	94098	Skruv	Screw	
98	1	495800	Skruv	Screw	
104	1	231789	Axel	Shaft	
105	1	231855	Nalventil	Inlet needle valve	
106	1	231854	Valve seat	Valve seat	
108	1	224540	Choke valve	Choke valve	
108	1	224558	Choke valve	Choke valve	
111	1	262820	Fjäder	Spring	
121	1	499220	Reparationssats-förg.	Overhaul kit-carb.	Märkta/marked F
123	2	94913	Skruv	Screw	
125	1	498027	Förgasare kpl	Carburettor Assy	
130	1	224539	Gasspjäll	Throttle Valve	
131	1	494379	Axel	Shaft	
133	1	494381	Flottör	Float	
137	1	281165	Packning	Gasket	
138	1	281164	Bricka	Washer	
141	1	495931	Choke shaft	Choke shaft	
141	1	495097	Choke shaft	Choke shaft	
142	1	497736	Nozzle	Nozzle	
161	1	494237	Air cleaner body	Air cleaner body	
171	1	281051	Mutter	Nut	
186	1	493496	Fuel pipe elbow	Fuel pipe elbow	
187	1	298049	Fuel line	Fuel line	
216	1	262766	Choke link	Choke link	
224	1	94730	Skruv	Screw	
240	1	298090	Bränslefilter	Fuel Filter	
284	1	94704	Skruv	Screw	
309	1	497401	Starter motor	Starter motor	
310	2	95035	Skruv	Screw	
311	4	497608	Brush set	Brush set	
333	1	492341	Armature magneto	Armature magneto	
334	2	94731	Skruv	Screw	
445	1	496894	Cartridge	Cartridge	
467	1	493903	Lasratt	Knob	
474	1	393474	Generator	Alternator	
482	4	93621	Skruv	Screw	
503	1	806000	Strap	Strap	
510	1	497606	Startdrev	Drive	
535	1	272403	Filterelement	Air Cleaner Element	
537	1	281106	O-ring	O-ring	
601	2	95162	Slangklämma	Hose clamp	
615	1	263080	Retainer	Retainer	
634	1	494455	Seal-spring	Seal-spring	



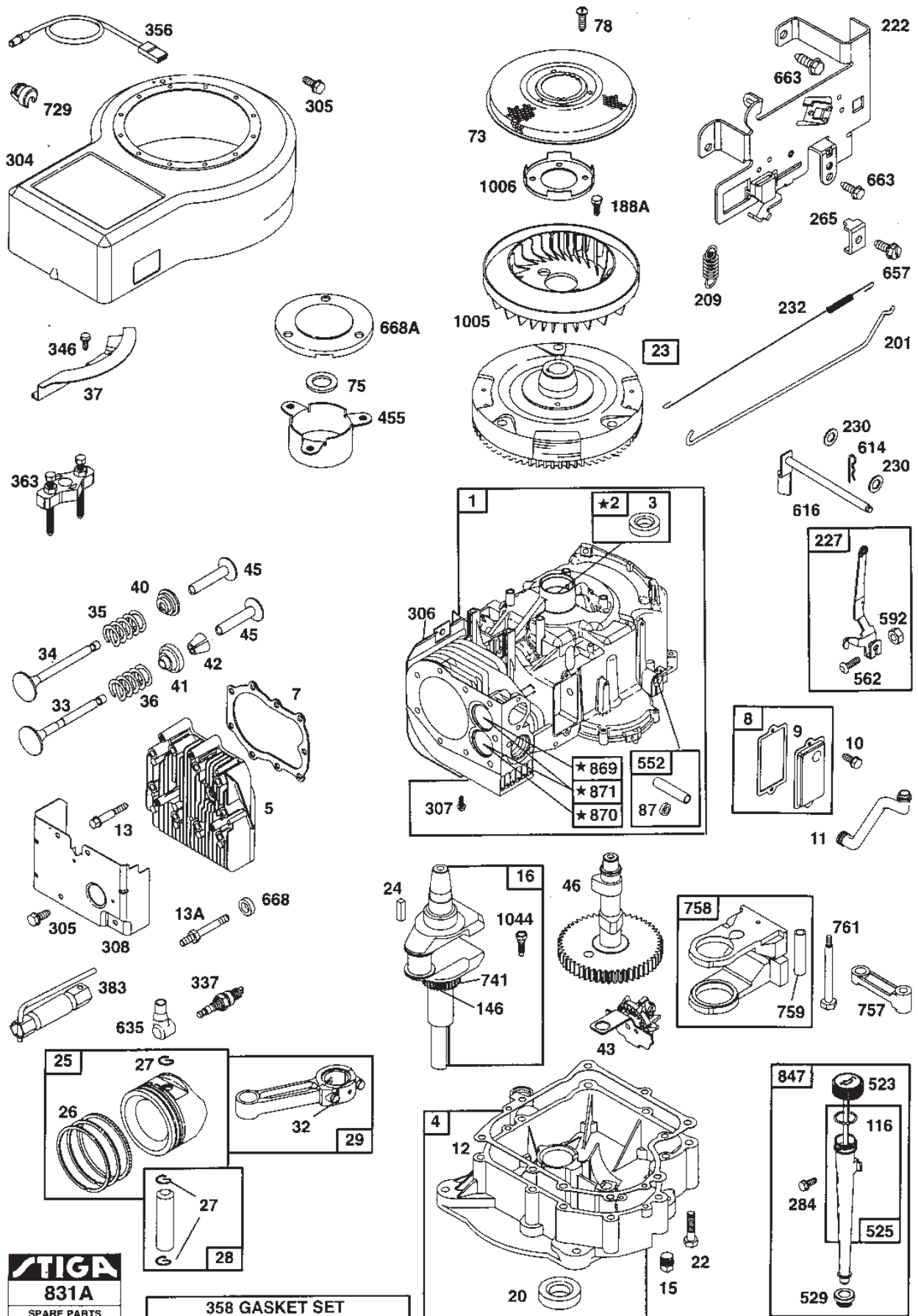
Utgåva Issue 46 - 2014		Förgasare Startmotor		Carburettor Starter Motor	
Pos. Fig.	Antal Quantity	Art nr Part No	Benämning	Description	Anmärkning Notes
634	1	494453	Seal	Seal	
646	1	224546	Brace	Brace	
663	1	94929	Skruv	Screw	
726	1	392134	Kuggkrans	Gear ring	
728	2	94951	Skruv	Screw	
729	1	225170	Wire retainer	Wire retainer	
783	1	280104	Drev	Gear	
801	1	497626	Lock	End Cap	
802	1	497607	Botten	End Cap	
851	1	493880	Terminal	Terminal	
872	1	281104	Cover	Cover	
877	1	393456	Connector	Connector	
878	1	393362	Kabelhärva	Harness	
950	1	94642	Skruv	Screw	
965	2	94010	Mutter	Nut	
975	1	494378	Bowl	Bowl	
987	1	281166	Seal	Seal	
1090	1	497605	Brush set	Brush set	
1091	1	281364	Cap	Cap	



STIGA
831A
SPARE PARTS

358 GASKET SET

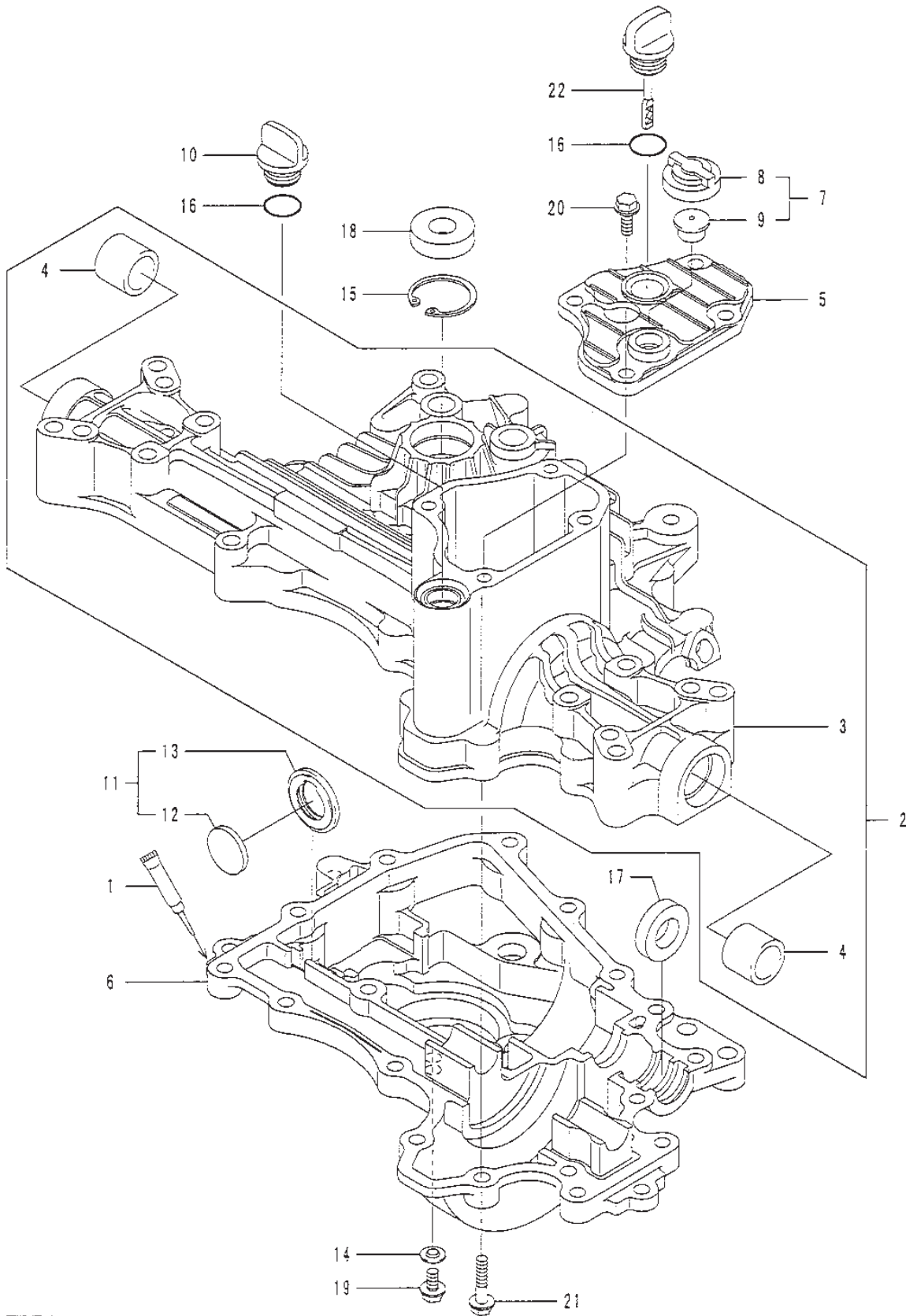
Utgåva Issue 46 - 2014		Cylinder Vevhus	Cylinder Crankcase		
Pos. Fig.	Antal Quantity	Art nr Part No	Benämning	Description	Anmärkning Notes
1	1	496413	Cylinder	Cylinder	
2	1	399265	Bussning	Bushing	
3	1	391086	Tätning	Seal	
4	1	494238	Vevhus	Oil sump	
5	1	494240	Topplöck	Cylinder Head	
7	1	271866	Packning	Gasket	
8	1	495735	Vevhusventilation	Breather	
9	1	27803	Packning	Gasket	
10	2	94621	Skruv	Screw	
11	1	281246	Rör	Tube	
12	1	271916	Packning	Gasket	
13	7	94622	Skruv	Screw	
13	2	94776	Stud	Stud	
15	1	94239	Oil drain plug	Oil drain plug	
16	1	495162	Crankshaft	Crankshaft	
20	1	291675	Tätning	Oil seal Oil Seal	
22	8	692125	Skruv	Screw	
23	1	492326	Flywheel	Flywheel	
24	1	222698	Kil	Key	
25	1	499282	Kolv	Piston	
26	1	391780	Ring set	Ring set	
27	2	263129	Lasring	Lock	
28	1	498319	Kolvsprint	Piston Pin	
29	1	490348	Vevstake kpl	Connecting rod assy	
32	2	95017	Skruv	Screw	
33	1	262246	Utblåsningsventil	Exhaust valve	
34	1	262247	Insugningsventil	Intake valve	
35	1	65906	Ventilfjäder-insug	Valve spring-intake	
36	1	26828	Ventilfjäder-utblas	Valve spring-exhaust	
37	1	224502	Guard	Guard	
40	1	221596	Hallare	Retainer	
41	1	292260	Rotator	Rotocoil	
42	2	494553	Retainer	Retainer	
43	1	490815	Oljekastardrev	Oil slinger gear	
45	2	262248	Ventillyftare	Valve tappet	
46	1	213720	Kamaxel	Camshaft	
73	1	224517	Nät	Screen	
75	1	225136	Bricka	Washer	
78	3	94626	Skruv	Screw	
87	1	491323	Oil seal	Oil seal	
116	1	270920	Tätning	Seal	
146	1	94196	Kil	Key	
188	2	94627	Skruv	Screw	
201	1	262767	Governor link	Governor link	
209	1	261306	Fjäder	Spring	
222	1	495611	Governor plate	Governor plate	
227	1	493935	Arm	Lever	
230	2	94927	Bricka	Washer	
232	1	262785	Fjäder	Spring	



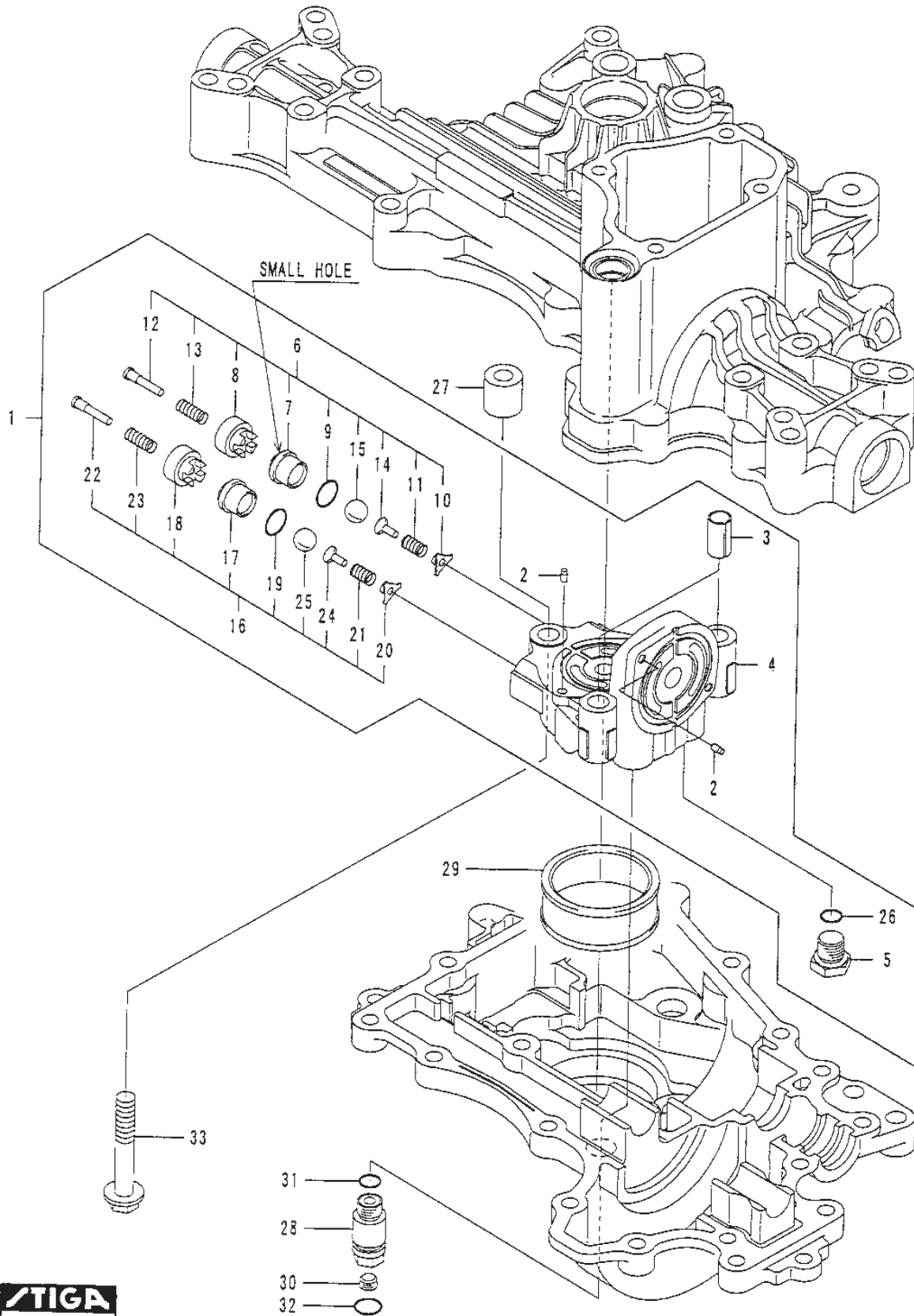
STIGA
831A
SPARE PARTS

358 GASKET SET

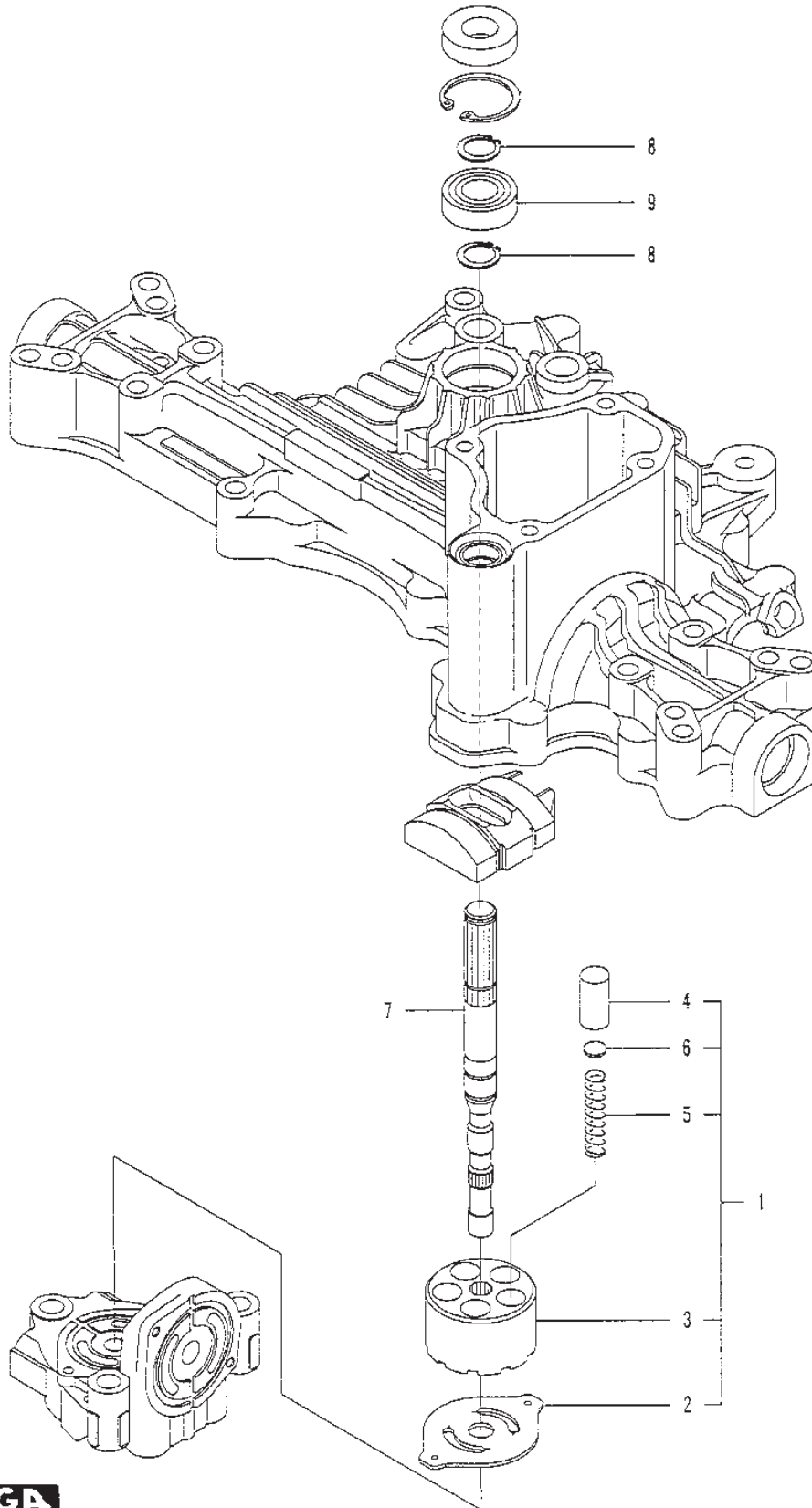
Utgåva Issue 46 - 2014		Cylinder Vevhus	Cylinder Crankcase		
Pos. Fig.	Antal Quantity	Art nr Part No	Benämning	Description	Anmärkning Notes
265	1	221535	Klämma	Clamp	
284	1	94903	Skruv	Screw	
304	1	496318	Blower housing	Blower housing	
305	4	94786	Skruv	Screw	
306	1	224545	Shield	Shield	
307	1	94930	Skruv	Screw	
308	1	491490	Skydd	Cover	
337	1	1111-9028-02	Tändstift (J19Lm)	Spark Plug (J19Lm)	Champion J19LM
337	1	9400-0225-00	Tändstift (J19Lm)	Spark Plug (J19Lm)	Champion J19LM
346	2	94896	Skruv	Screw	
356	1	494328	Ground wire	Ground wire	
358	1	494241	Packningssats-motor	Gasket set-engine	Märkta/marked S
363	1	19203	Avdragare	Puller	Tillbehör/accessory
383	1	1111-9029-01	Tändstiftsnyckel (19 Mm-21 Mm)	Spark Plug Wrench (19 Mm-21 Mm)	Tillbehör/accessory
455	1	222561	Kopp	Cup	
523	1	495230	Oil dipstick	Oil dipstick	
525	1	496113	Rör	Tube	
529	1	281370	Seal	Seal	
552	1	491986	Bussning	Bushing	
562	1	94907	Skruv	Screw	
592	1	231978	Mutter	Nut	
614	1	93306	Lasnål	Cotter Pin Cotter pin	
616	1	495157	Governor crank	Governor crank	
635	1	66538	Tändstiftsskydd	Spark plug elbow	
657	1	94906	Skruv	Screw	
663	2	94929	Skruv	Screw	
668	1	280848	Distans	Spacer	
668	1	231109	Distans	Spacer	
729	1	281159	Clip	Clip	
741	1	262932	Gear	Gear	
757	1	213998	Länk	Link	
758	1	399891	Balanseringsvikt	Counterweight	
759	1	298909	Kolvspind	Piston Pin	
761	2	94593	Skruv	Screw	
847	1	496415	Oljesticka kpl	Oil filler group	
869	1	261463	Ventilsäte	Valve seat	
870	1	262924	Valve seat-exhaust	Valve seat-exhaust	
871	1	231218	Ventilstyrning-insug	Valve guide-intake	
871	1	261961	Ventilstyrning-utblas	Valve guide-exhaust	
1005	1	280687	Fläkt	Fan	
1006	1	224413	Hallare	Fan retainer	
1044	1	94673	Skruv	Screw	



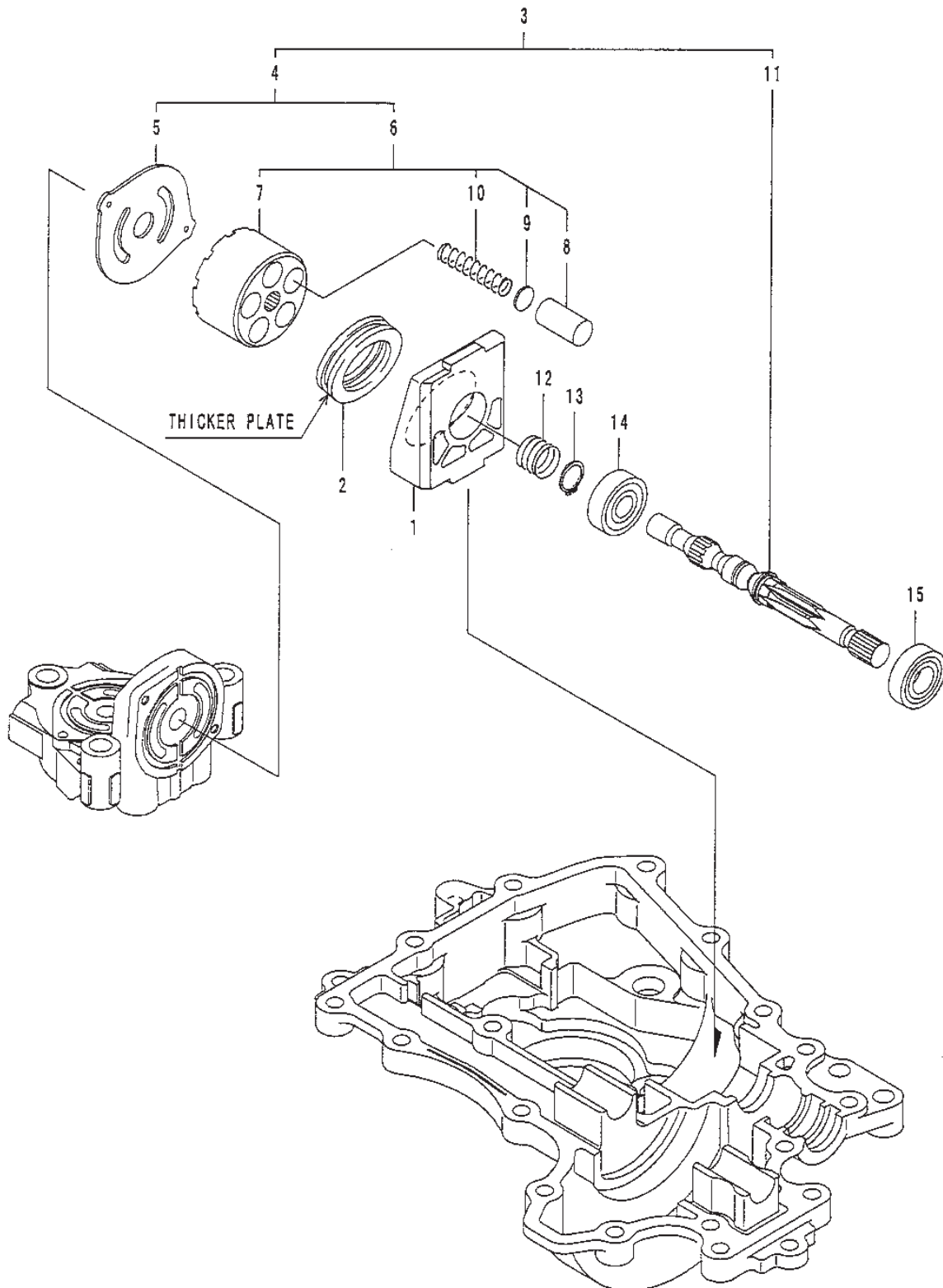
Utgåva Issue 46 - 2014		Kanzaki Transaxel K-55B Transmissionshus		Kanzaki Transaxle K-55B Transmission Casing	
Pos. Fig.	Antal Quantity	Art nr Part No	Benämning	Description	Anmärkning Notes
1	1	1139-0223-01	Sealant	Sealant	120 gram
2	1	1139-1091-01	Övre Hus	Upper Case	Inkl. pos 3-4
5	1	1139-1089-01	Toplock	Top Cover	
6	1	1139-1055-01	Nedre Hus	Lower Casing	
7	1	1139-1100-01	Ventil Kpl	Vent Valve Assy	Inkl. pos 8-9
10	1	1139-1096-01	Lock	Oil Cap	
11	1	1139-1057-01	Magnet Kpl	Magnet Assy	Inkl. pos 12-13
14	1	1139-1103-01	Bricka	Washer	
15	1	1139-1104-01	Lasring	Snap Ring	
16	2	1139-1116-01	O-Ring	O-Ring	
17	1	1139-1118-01	Tätning	Seal 12*32*7	
18	1	1139-1119-01	Tätning	Seal 15*35*7	
19	1	1139-1123-01	Bult	Bolt	
20	4	1139-1124-01	Bult	Bolt	
21	17	1139-0244-01	Skruv	Screw	
22	1	1139-1090-01	Lock	Cap	



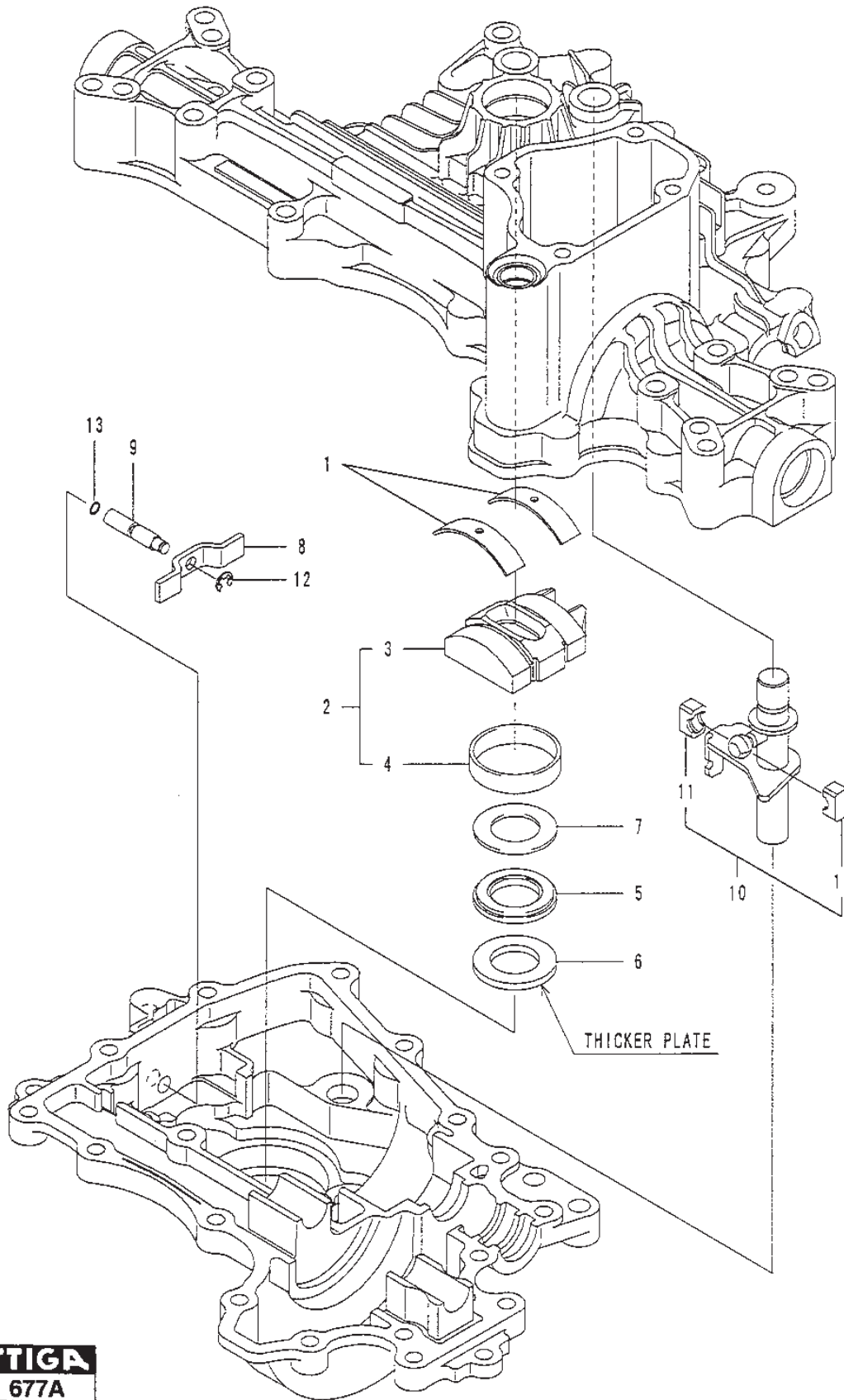
Utgåva Issue 46 - 2014		Kanzaki Transaxel K-55B Centrumhus		Kanzaki Transaxle K-55B Center Case	
Pos. Fig.	Antal Quantity	Art nr Part No	Benämning	Description	Anmärkning Notes
1	1	1139-1098-01	Centrumhus Kpl	Center Case Assy	Inkl. pos 2-6,16,26
2	4	1139-1058-01	Stift	Knock Pin	
3	2	1139-1008-01	Stift	Knock Pin	
5	1	1139-1010-01	Plugg	Plug	
6	1	1139-1059-01	Ventil Kpl	Valve Set	Inkl. pos 7-15
9	1	1139-1013-01	O-Ring	O-Ring	
16	1	1139-1060-01	Ventil Kpl	Valve Set	Inkl. pos 17-25
19	1	1139-1013-01	O-Ring	O-Ring	
26	1	1139-1113-01	O-Ring	O-Ring	
27	1	1139-1061-01	Distans 10*20*20	Collar 10*20*20	
28	1	1139-1062-01	Anslutning	Connector	
29	1	1139-1063-01	Filter	Filter	
30	1	1139-1107-01	Plugg	Plug	
31	1	1139-1113-01	O-Ring	O-Ring	
32	1	1139-1115-01	O-Ring	O-Ring	
33	3	1139-1125-01	Bult	Bolt	



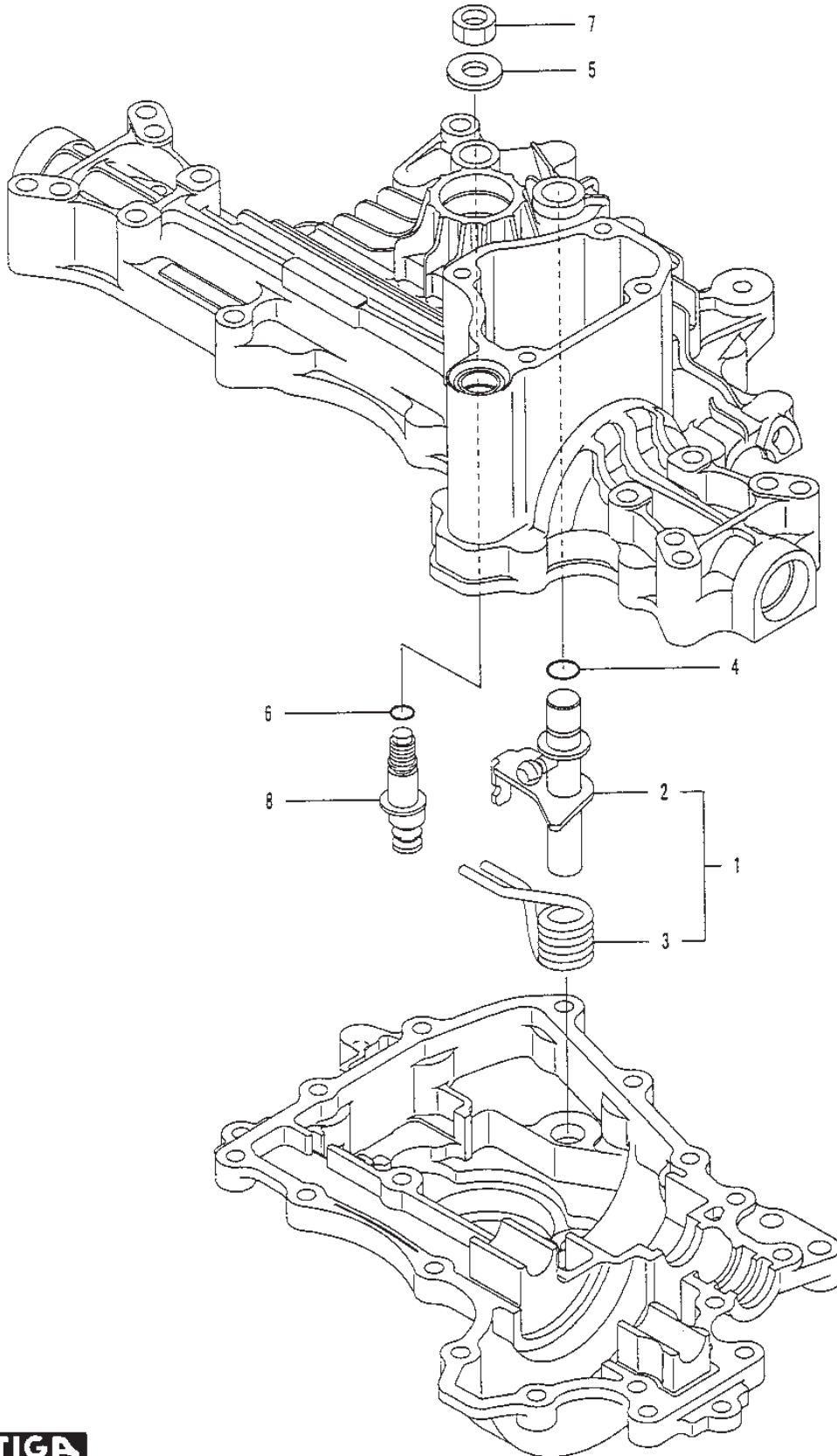
Utgåva Issue 46 - 2014		Kanzaki Transaxel K-55B Pumpaxel		Kanzaki Transaxle K-55B Pump Shaft	
Pos. Fig.	Antal Quantity	Art nr Part No	Benämning	Description	Anmärkning Notes
1	1	1139-1099-01	Cylinder Block Kpl	Cylinder Block Assy	Inkl. pos 2-6
7	1	1139-1065-01	Pumpaxel	Pump Shaft	
8	2	1139-1021-01	Lasring	Snap Ring	
9	1	1139-1110-01	Kullager	Ball Bearing	



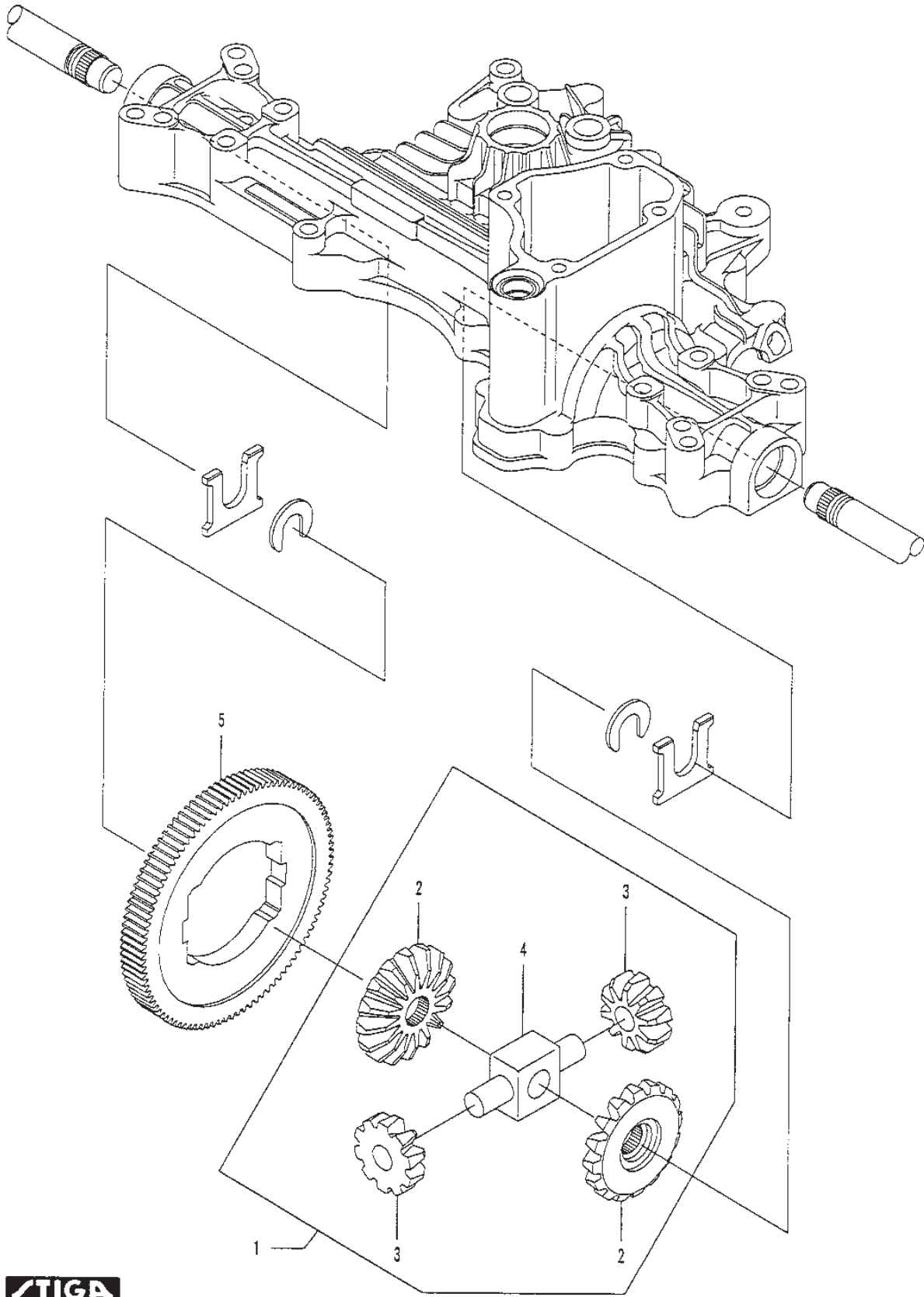
Utgåva Issue 46 - 2014		Kanzaki Transaxel K-55B Motoraxel		Kanzaki Transaxle K-55B Motor Shaft	
Pos. Fig.	Antal Quantity	Art nr Part No	Benämning	Description	Anmärkning Notes
1	1	1139-1053-01	Hus	Housing	
2	1	1139-1054-01	Lager	Bearing	
3	1	1139-1138-01	Motoraxel Kpl	Motor Shaft Set	Inkl. pos 4-11
4	1	1139-1064-02	Cylinderblock Kpl	Cylinder Block Assy	Inkl. pos 5-10
11	1	1139-1092-02	Motoraxel	Motor Shaft	
12	1	1139-1018-01	Fjäder	Spring	
13	1	1139-1021-01	Lasring	Snap Ring	
14	1	1139-1108-01	Kullager	Ball Bearing	
15	1	1139-1109-01	Kullager	Ball Bearing	



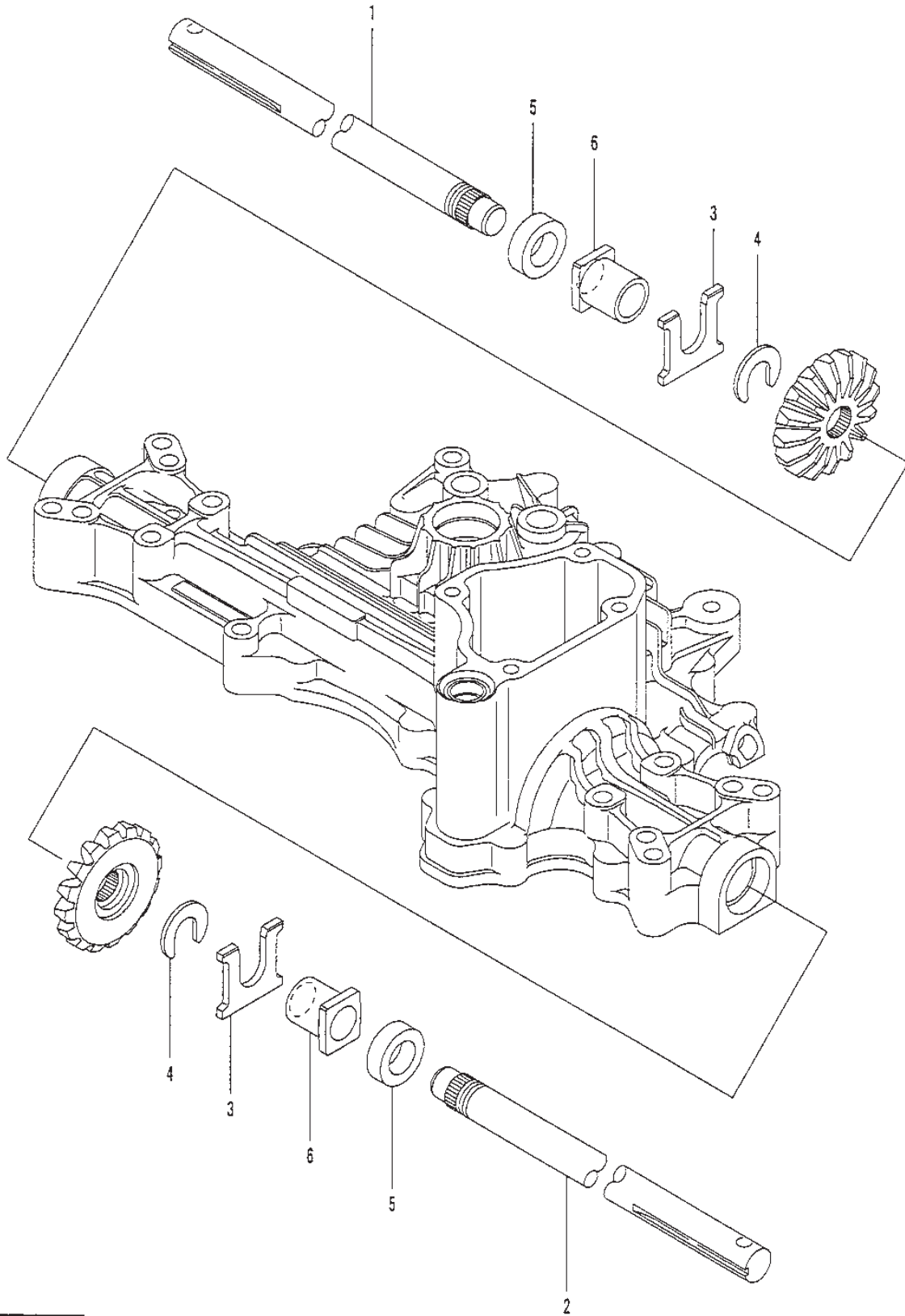
Utgåva Issue 46 - 2014		Kanzaki Transaxel K-55B Riktningväljare		Kanzaki Transaxle K-55B Range Shift	
Pos. Fig.	Antal Quantity	Art nr Part No	Benämning	Description	Anmärkning Notes
1	2	1139-1066-01	Tryckplatta	Use 1139-1141-01	
1	2	1139-1141-01	Tryckplatta	Metal Thrust	
2	1	1139-1067-01	Stänklatta Kpl	Swash Plate Assy	Inkl. pos. 3-4
5	1	1139-1068-01	Lager	Bearing	
6	1	1139-1069-01	Tryckplatta	Thrust Plate	
7	1	1139-1070-01	Tryckplatta	Thrust Plate	
8	1	1139-1071-01	Arm By-Pass	C-Arm By-Pass	
9	1	1139-1072-02	TryckSprint	Push Pin	
10	1	1139-1030-01	Block Sats	Block Set	Inkl. pos. 11
12	1	1139-1105-01	Lasring	Snap Ring	
13	1	1139-1111-01	O-Ring	O-Ring	



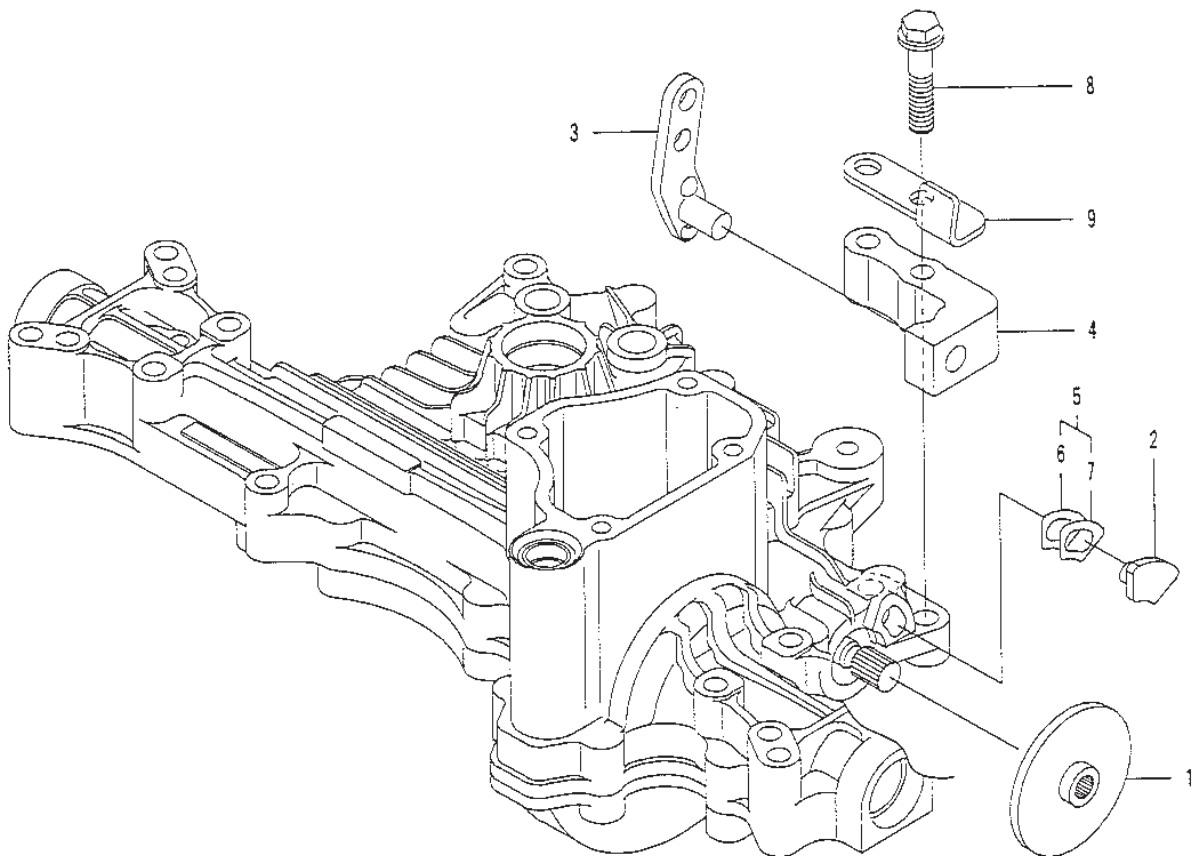
Utgåva Issue 46 - 2014		Kanzaki Transaxel K-55B Regleraxel		Kanzaki Transaxle K-55B Control Shaft	
Pos. Fig.	Antal Quantity	Art nr Part No	Benämning	Description	Anmärkning Notes
1	1	1139-1094-01	Reglageaxel Kpl	Control Shaft Assy	Inkl. pos. 2-3
4	1	1139-1114-01	O-Ring	O-Ring	
5	1	1139-1102-01	Bricka	Washer	
6	1	1139-1117-01	O-Ring	O-Ring	
7	1	1139-1127-01	Mutter	Nut	
8	1	1139-1032-01	Vridcentrum	Fulcrum	



Utgåva Issue 46 - 2014		Kanzaki Transaxel K-55B Differentialdrev		Kanzaki Transaxle K-55B Differential Gear	
Pos. Fig.	Antal Quantity	Art nr Part No	Benämning	Description	Anmärkning Notes
1	1	1139-1095-01	Differentialdrev sats	Differential gear kit	Inkl. pos. 2-4
4	1	1139-1035-01	Drev	Shaft Diff.Pinion	
5	1	1139-1088-01	Slutdrev 97T	Final Gear 97T	97T



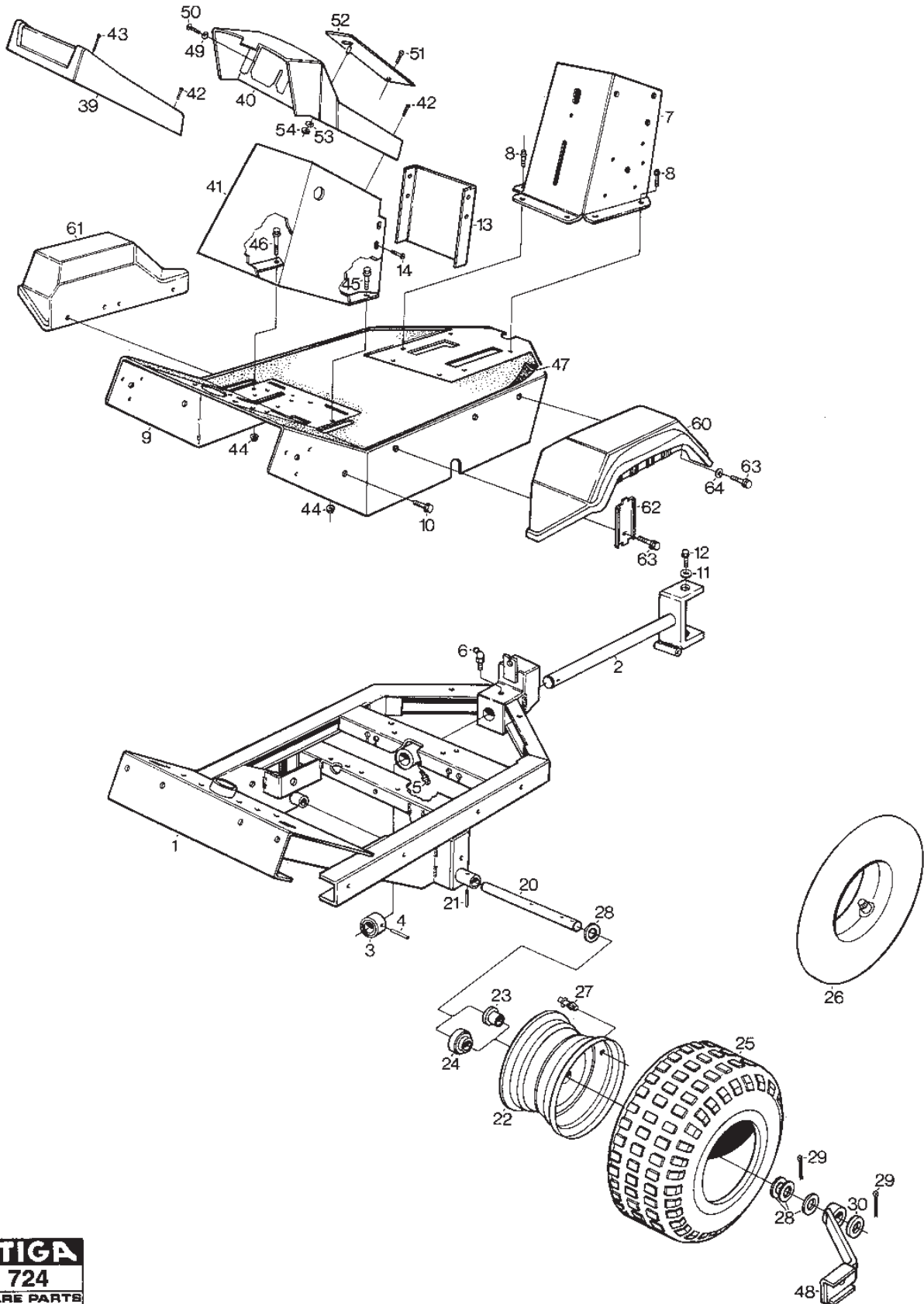
Utgåva Issue 46 - 2014		Kanzaki Transaxel K-55B Hjulaxlar		Kanzaki Transaxle K-55B Axle Shaft	
Pos. Fig.	Antal Quantity	Art nr Part No	Benämning	Description	Anmärkning Notes
1	1	1139-1075-01	Axel Vä	Axle Shaft Left	
2	1	1139-1076-01	Axel Hö	Axle Shaft Right	
3	2	1139-1078-01	Bricka	Thrust Washer	
4	2	1139-1079-01	Ring	Ring	
5	2	1139-1080-01	Tätning	Seal 19*32*8	
6	2	1139-1081-01	Bussning	Bushing	



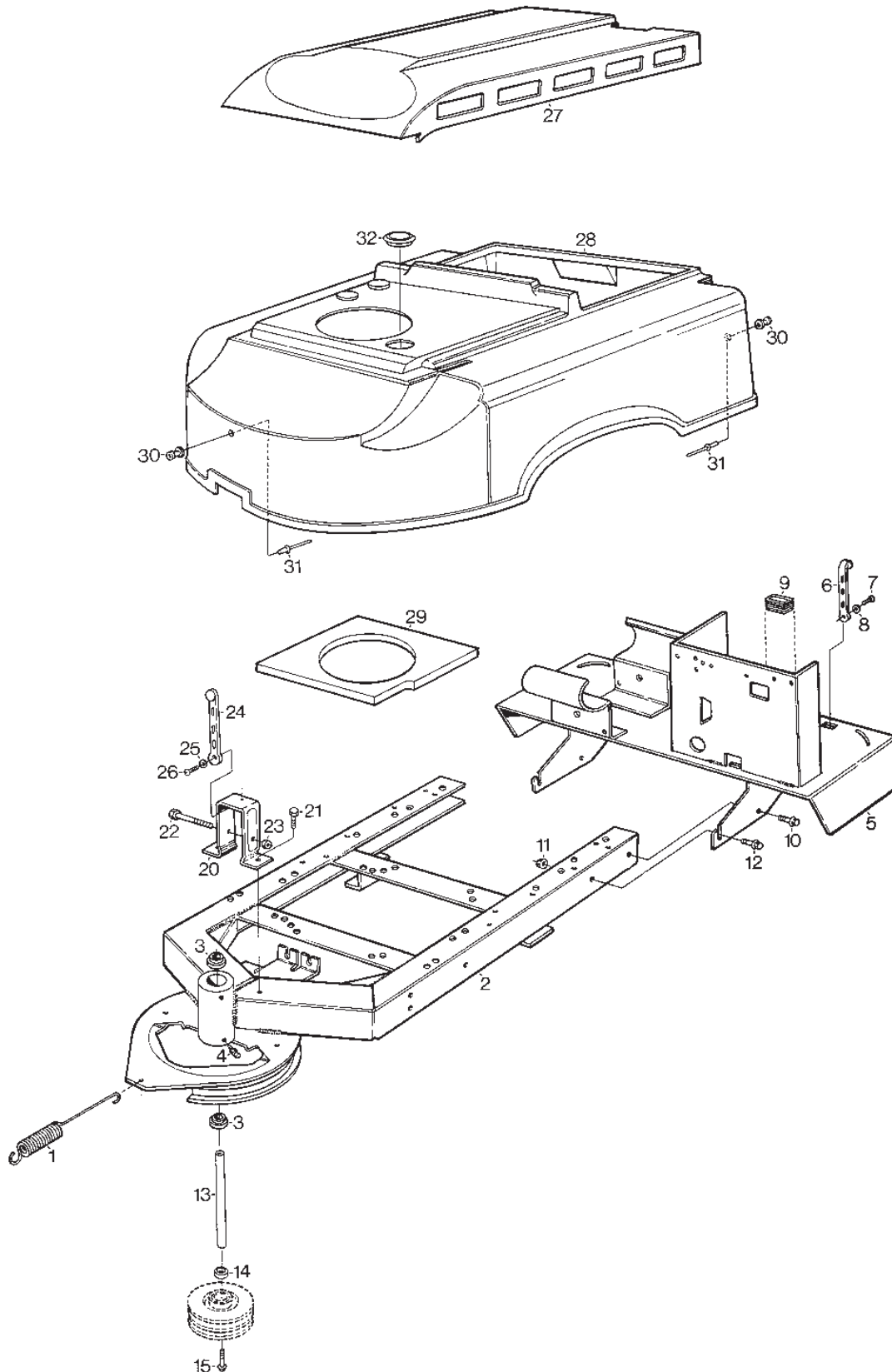
Utgåva Issue 46 - 2014		Kanzaki Transaxel K-55B Broms Kanzaki Transaxle K-55B Brake			
Pos. Fig.	Antal Quantity	Art nr Part No	Benämning	Description	Anmärkning Notes
1	1	1139-1082-01	Bromsskiva	Brake Disc	
2	1	1139-1083-01	Bromssko	Brake Shoe	
3	1	1139-1084-01	Bromsarm	Brake Lever	
4	1	1139-1085-01	Fäste Bromsarm	Stay Brake Lever	
5	1	1139-1086-01	Shims Sats	Shim Set	Inkl. pos. 6-7
8	2	1139-1087-01	Bult	Bolt	
9	1	1139-1093-01	Bromsstopp	Brake Stopper	

PARK 12

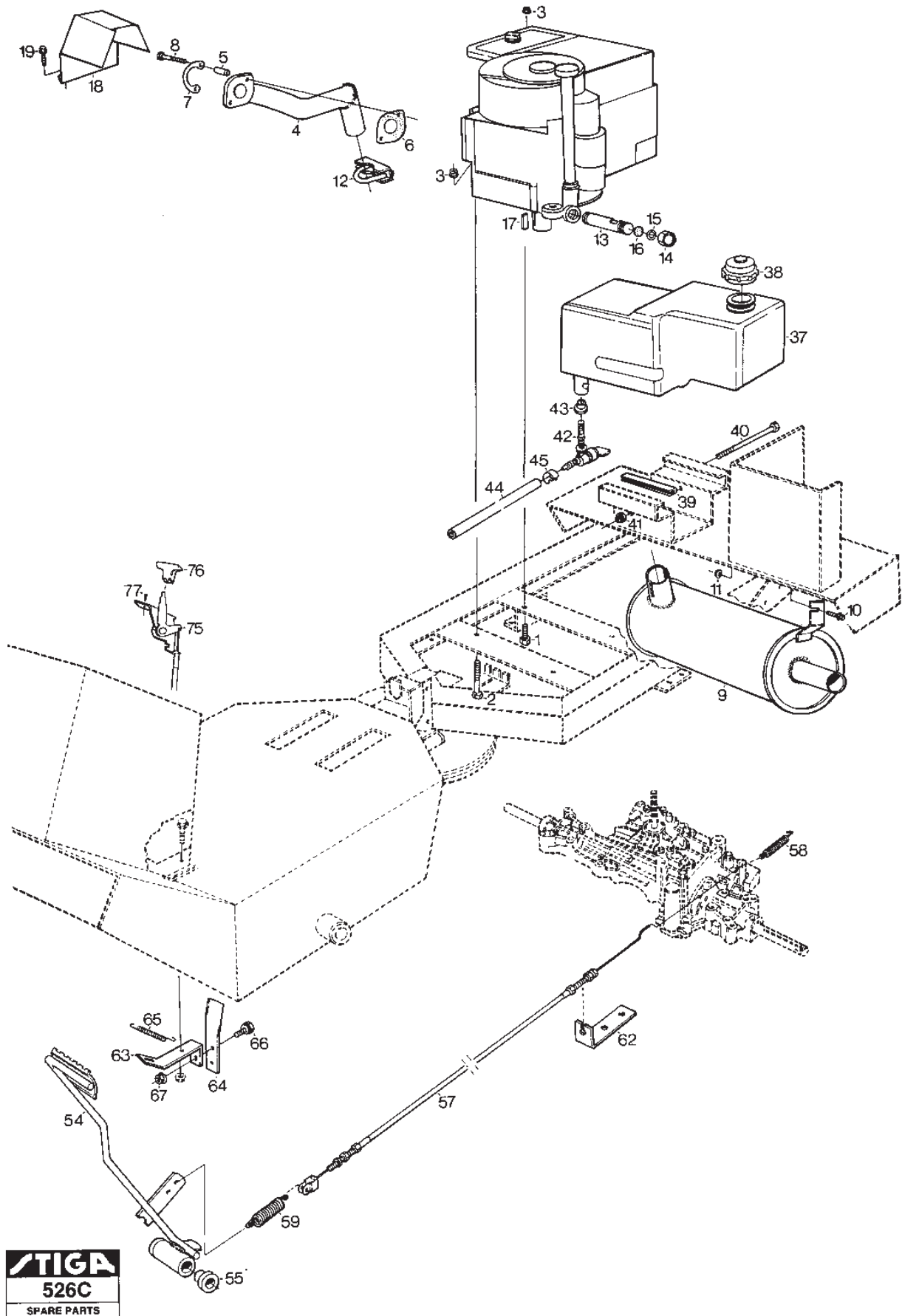
PARK 13HST, 16HST, 18HST



Utgåva Issue 46 - 2014		Främre Ram	Front Frame		
Pos. Fig.	Antal Quantity	Art nr Part No	Benämning	Description	Anmärkning Notes
1	1	1134-3411-03	Främre ram	Front frame	
2	1	1134-1757-07	Midjegaffel M Ledaxel	Clevis	
3	1	1134-0031-00	Ledaxelstopp Ledaxelstopp	Pivot Shaft Stop	
4	1	9595-0262-00	Spännstift	Locating Pin Elastic Pin	
5	1	9501-0500-00	Smörjkopp Kort Rak	Grease Dispenser	
6	1	9501-0502-00	Smörjnippel	Grease Joint	
7	1	1134-3252-02	Sitskonsol-gul	Seat Bracket-Yellow	
7	1	1134-3800-01	Sitskonsol 1-00 02	Seat Bracket-Yellow	
8	6	9942-0816-16	Skruv	Screw	
9	1	1134-1192-22	Durk Kpl	Floor Plate	
10	4	9942-0816-16	Skruv	Screw	
11	1	9699-0035-02	Bricka	Washer	
12	1	9959-1020-16	Skruv	Screw	
20	2	1134-0075-01	Framaxeltapp	Front Axle	
21	2	9595-0258-00	Spännstift	Locating Pin	
22	2	1134-2668-01	Fälg kpl	Rim assy	
22	2	1134-2668-02	Fälg Med Lager	Rim W.Bearings	
22	2	1134-2668-01	Fälg kpl	Rim assy	
22	2	1134-2668-02	Fälg Med Lager	Rim W.Bearings	
23	1	1134-9026-01	Bussning	Bearing	Sats 4 st/kit of 4
25	2	9545-0116-00	Däck	Tyre	16 x 7.50 - 8
26	1	9545-0203-00	Innerslang	Inner Tube	Reservdel/spare part
27	2	9545-0500-00	Ventil	Valve Assy.	
28	8	1134-0341-01	Bricka	Washer	
29	4	9599-0080-02	SaxSprint Sp 4*28	Cotter Pin	
30	2	9699-0042-02	Bricka	Washer	
40	1	1134-3761-01	Instrumentpanel P13Hst	Panel	
40	1	1134-3761-01	Instrumentpanel P13Hst	Panel	
41	1	1134-2833-10	Frontdekor Kpl 1-00 02	Front Trim Plate	
42	2	9849-8013-16	Skruv	Screw	
44	6	9739-0831-22	Mutter	Nut	
45	2	9959-0816-16	Skruv	Screw	L = 16 mm
46	4	9959-0820-16	Skruv	Screw	L = 20 mm
47	1	1134-3546-01	Durkmatta Park Hst	Floor Mat	
48	2	1134-3710-01	Fäste Kpl 5-01 15	Attachment For Accessories	
49	2	9699-0099-02	Bricka	Washer	
50	2	9849-8013-16	Skruv	Screw	
51	1	9849-8032-16	Skruv	Screw	
52	1	1134-3755-01	Lock 5-01	Cover	
52	1	1134-3755-01	Lock 5-01	Cover	
53	1	9699-0062-02	Bricka	Washer	
54	1	9675-0012-02	Starlock	Locking washer	
60	1	1134-2174-01	Framskärm Vänster	Mudguard,Lh (Yellow)	
61	1	1134-2174-02	Framskärm Höger	Mudguard,Rh (Yellow)	
62	4	1134-0225-00	Stödplat	Support Plate	
63	6	9942-0816-16	Skruv	Screw	
64	2	9699-0056-02	Bricka	Washer	

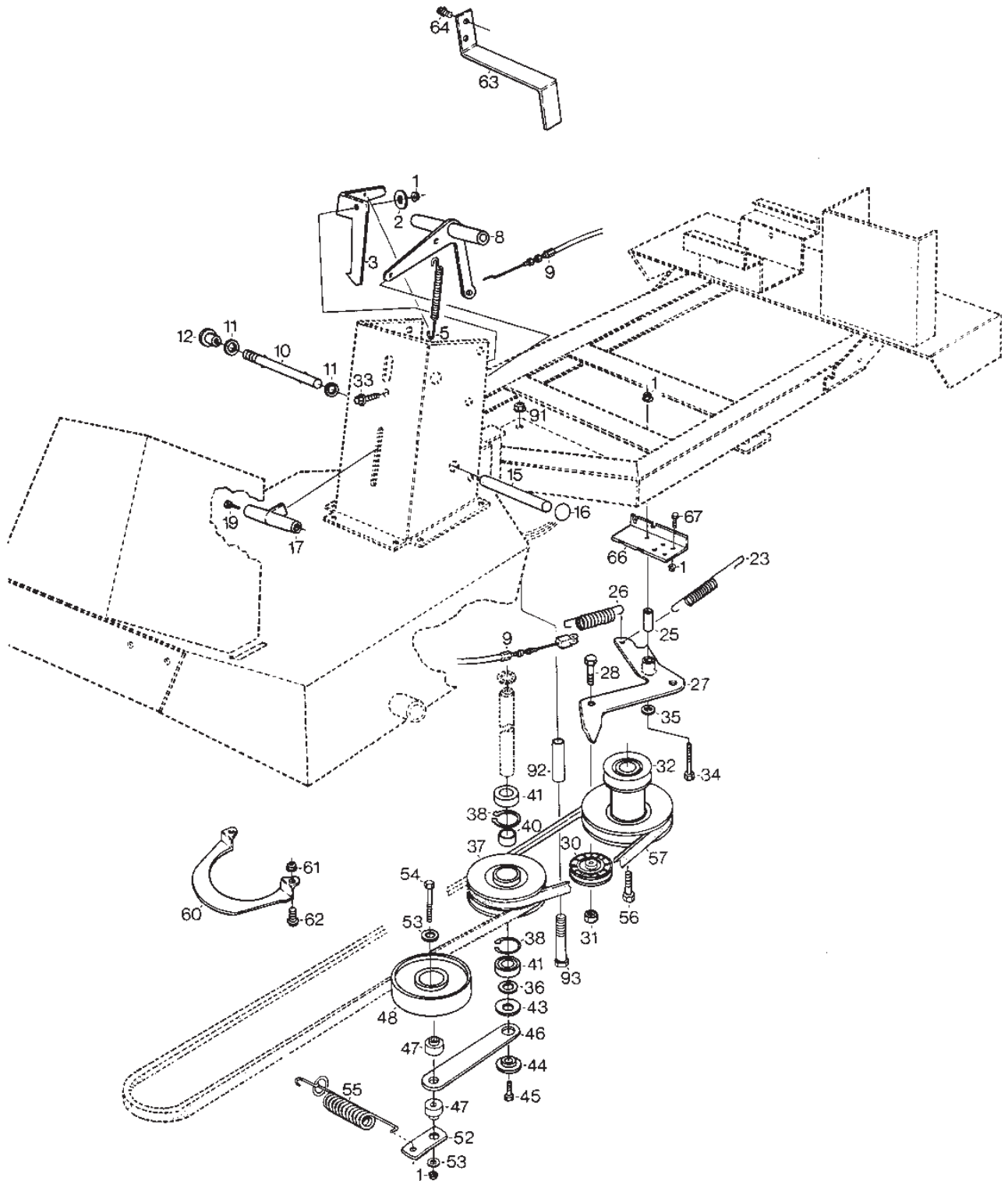


Utgåva Issue 46 - 2014		Bakre Ram	Rear Frame		
Pos. Fig.	Antal Quantity	Art nr Part No	Benämning	Description	Anmärkning Notes
1	1	1134-2171-01	Fjäder	Spring	
2	1	1134-3412-01	Ram Bakre Kpl. 5-01 01	Rear Frame	
3	2	9547-0001-00	Ledlager Ge17Es	Bearing	
4	2	9501-0500-00	Smörjkopp Kort Rak	Grease Dispenser	
5	1	1134-2899-03	Stötfangare-Bakre	Rear Bumper	
6	1	1134-9028-01	Gummistropp (3 St)	Rubber Strap (3 Pcs)	Sats 3 st/kit of 3
7	2	9849-8013-16	Skruv	Screw	
8	2	9699-0087-02	Bricka	Washer	
9	3	1134-3540-01	Ändavslutning Ir 2030	Plastic Plug	1442,1443,1446,1448
10	2	9942-0816-16	Skruv	Screw	
11	2	9739-0831-22	Mutter	Nut	
12	2	9959-0820-16	Skruv	Screw	
13	1	1134-0057-00	Centrumaxel	Centre Shaft	
14	1	1134-0052-00	Distans	Spacer	
15	1	9959-1025-16	Skruv	Screw	
20	1	1134-2951-01	Huvstöd Par	Engine Cover Support	
21	2	9942-0612-16	Skruv	Screw	
22	1	9997-0670-12	Skruv	Screw	
23	1	9747-0631-02	Mutter Lasmutter	Nut	
24	1	1134-9028-01	Gummistropp (3 St)	Rubber Strap (3 Pcs)	Sats 3 st/kit of 3
25	1	9699-0087-02	Bricka	Washer	
26	1	9849-8013-16	Skruv	Screw	
27	1	1134-2215-01	Motorlucka	Engine Cover (Black)	
28	1	1134-3215-01	Motorhuv 1-00	Engine Hood	
29	1	1134-2053-01	Ljudisoleringsmatta	Foam Pad	H = 15 mm
30	3	9405-0029-00	Knopp	Knob	
31	3	9632-0516-00	Popnit 9.5	Pop Rivet	

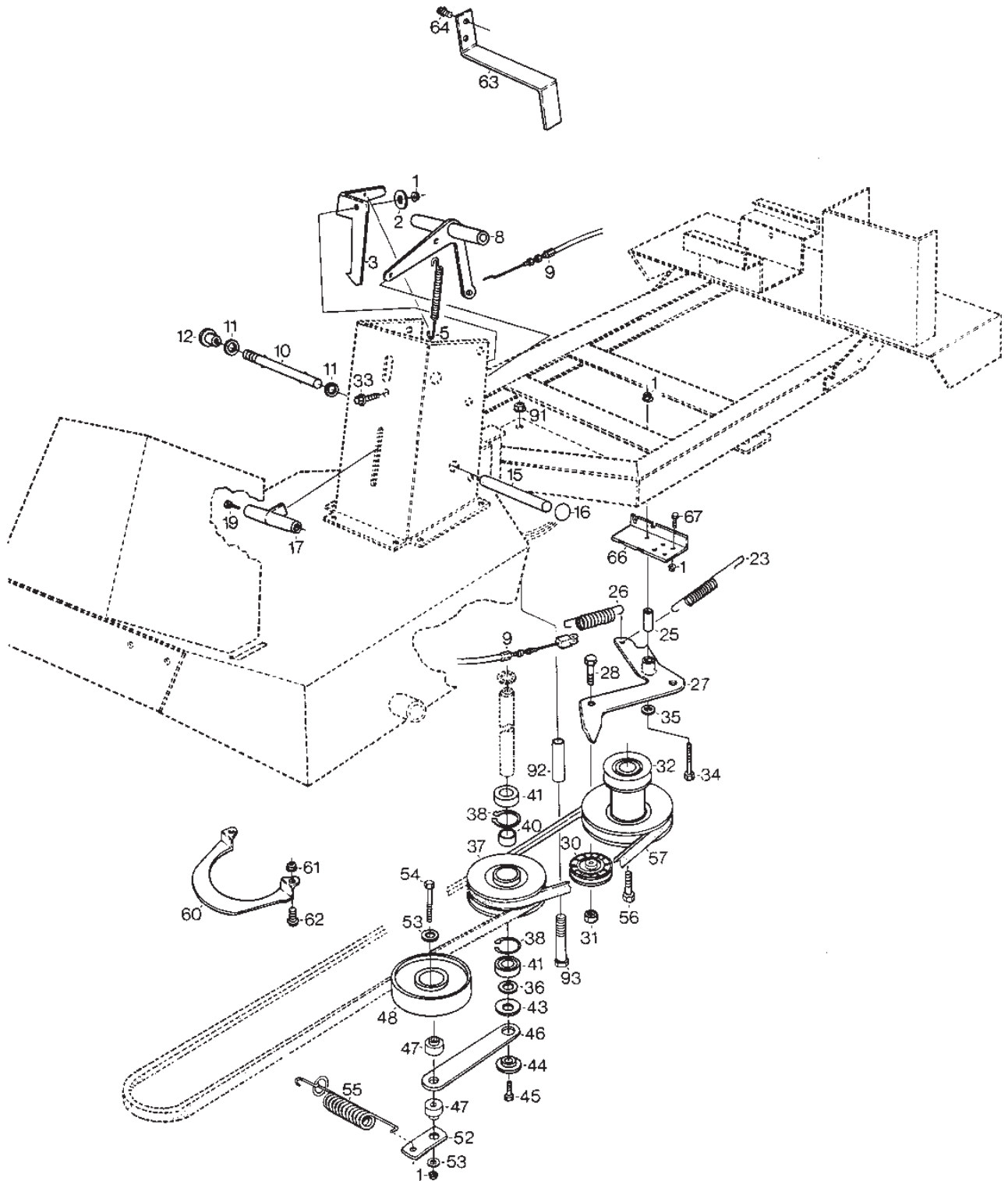


STIGA
526C
SPARE PARTS

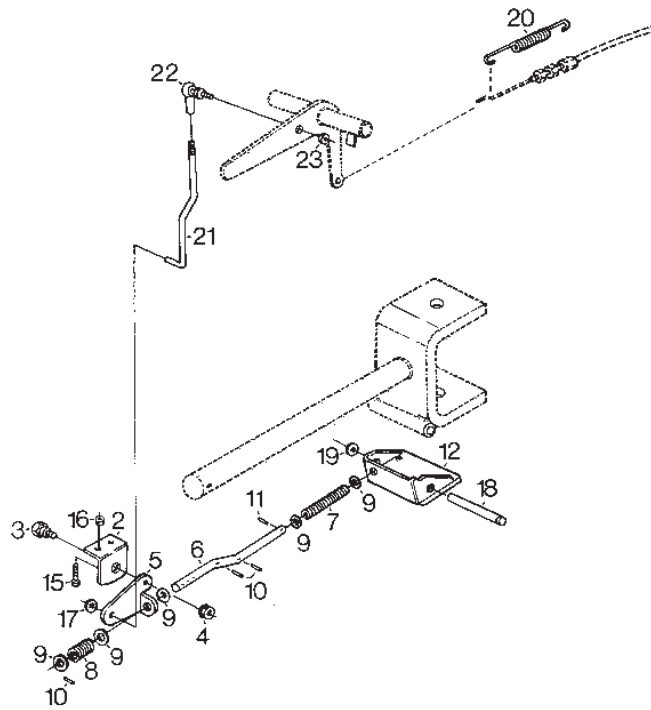
Utgåva Issue 46 - 2014		Motor Broms	Engine Brake		
Pos. Fig.	Antal Quantity	Art nr Part No	Benämning	Description	Anmärkning Notes
1	3	9997-0840-16	Skruv	Screw	L = 40 mm
2	1	9997-0870-16	Skruv	Screw	L = 70 mm
3	4	9739-0831-22	Mutter	Nut	
4	1	1134-3738-01	Avgasrör Kpl	Exhaust Pipe	
5	2	1134-1565-01	Distans	Spacer	
6	1	1134-0433-00	Packning	Gasket	
7	1	1134-2462-01	Lasbleck	Lock	
8	2	9988-3651-12	Skruv	Screw	
9	1	1134-3244-01	Ljuddämpare	Silencer	
10	1	9959-0816-16	Skruv	Screw	
11	1	9739-0831-22	Mutter	Nut	
12	1	9578-0011-00	Klämma F Ljuddämp D35 Rid	Clamp	
13	1	1134-2212-01	Oljeavtappningsrör Kpl.	Oil Drain Pipe	
14	1	1134-0995-01	Plugg	Plug	
15	1	9404-0020-00	O-Ring 11,3 X 2,4	O-ring	
16	1	1134-0997-01	Packning	Gasket	
17	1	9600-0250-00	Kil	Key	
18	1	1134-2733-01	Värmskydd	Heat Protection	
19	2	9942-0612-16	Skruv	Screw	
37	1	1134-3593-01	Bränsletank	Fuel Tank	
38	1	1134-2877-02	Tanklock	Fuel Tank Cap	
39	2	1134-2941-01	Kantskyddslist S	Protection Strip	
40	1	9997-0812-02	Skruv	Screw	
41	1	9747-0831-02	Mutter Lasmutter	Nut	
42	1	1134-3224-01	Bensinkran	Fuel Shut-Off Valve	
43	1	1134-3225-01	Gummibussning Gummibussning	Grommet	
44	1	1134-2975-06	Bensinslang	Fuel Tube	
45	2	1134-3499-01	Slangklämma	Hose Clamp	
54	1	1134-3450-02	Pedal Smst Vä	Pedal	Vä sida/L.H. side
55	1	1134-9024-01	Lager (4 St)	Bearing	Sats 4 st/kit of 4
57	1	1134-3573-02	Motorbromswire	Cable, Thread Engine Brake	
58	1	1131-1506-00	Fjäder	Spring	
59	1	1134-1242-02	Fjäder	Spring	
62	1	1134-3402-01	Kabelhallare	Wire Holder	
63	1	1134-1184-02	Stag F Parkeringsbroms	Stay	
64	1	1134-2151-02	Spärr	Stop	
65	1	1131-1497-01	Fjäder	Brake Spring	
66	1	1134-0245-00	Skruv	Screw	
67	1	9739-0831-22	Mutter	Nut	
75	1	1134-1975-11	Gasreglage	Throttle Cable	
76	1	9403-0035-10	Knopp	Knob	
77	2	9849-8013-16	Skruv	Screw	



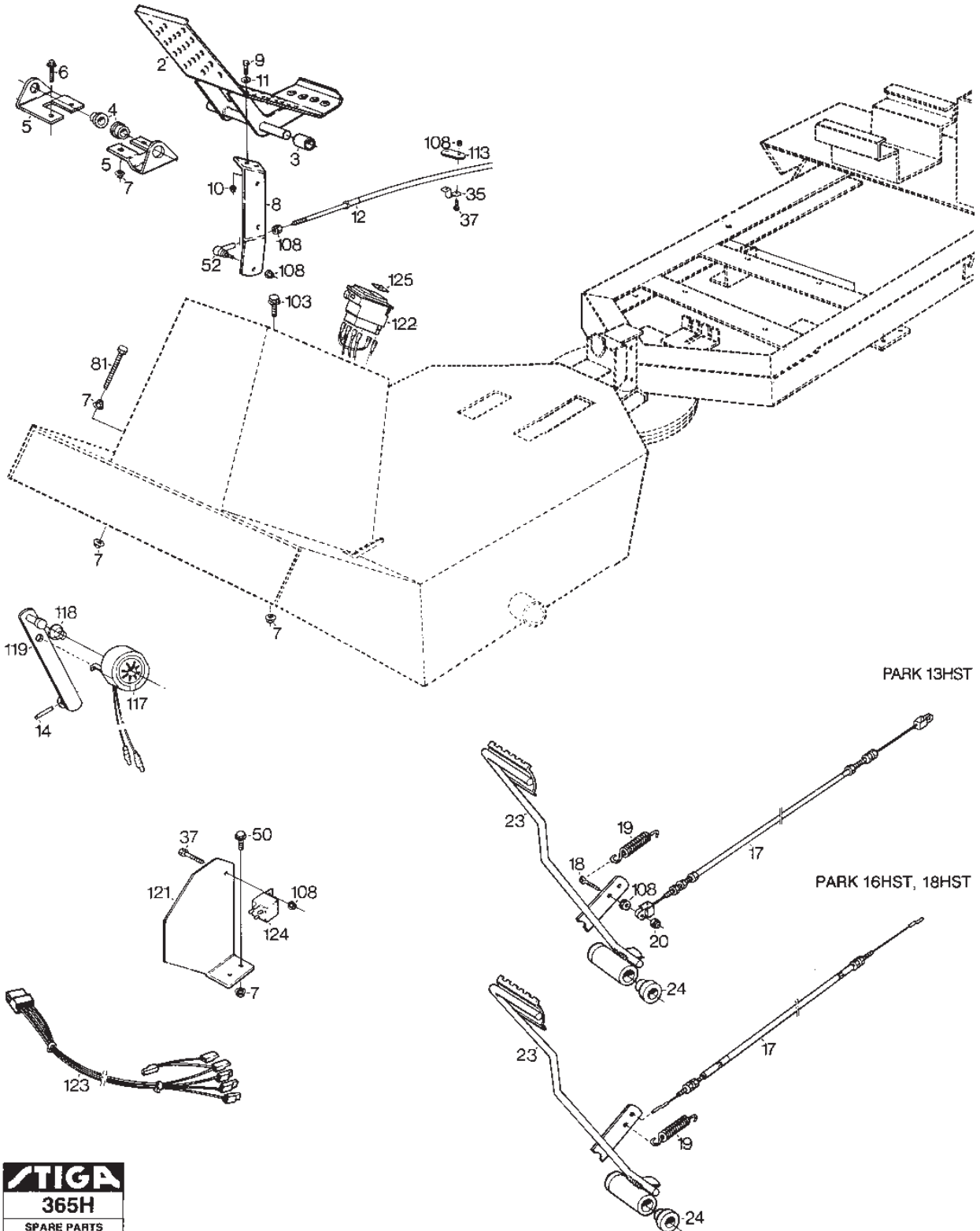
Utgåva Issue 46 - 2014		Kraftuttag Power Take-Off			
Pos. Fig.	Antal Quantity	Art nr Part No	Benämning	Description	Anmärkning Notes
1	5	9739-0831-22	Mutter	Nut	
2	1	1134-0143-00	Bricka	Washer	
3	1	1134-2453-01	Lashake	Locking Pawl	
5	1	1131-1497-01	Fjäder	Brake Spring	
8	1	1134-1396-02	Spak	Lever	1442,1443,1446
8	1	1134-0027-01	Reglagespak	Control Lever	
9	1	1134-3573-01	Wire (Kraft)	Cable	
10	1	1134-1972-01	Urkopplingsspak	Disengaging Lever	
11	2	9699-0025-02	Bricka	Washer	
12	1	1134-0583-00	Knopp	Knob	
15	1	1134-0022-00	Reglagestang	Control Rod	
16	2	9672-0004-02	Starlock	Starlock	
17	1	1134-0153-00	T-Handtag	Handle Gear Shifter	
19	1	9847-8016-16	Skruv	Screw	
23	1	1131-1506-00	Fjäder	Spring	
23	1	1134-3974-01	Fjäder	Spring	
25	1	1134-1565-01	Distans	Spacer	
26	1	1134-1242-02	Fjäder	Spring	
27	1	1134-2018-01	Spännarm Kpl	Tensioning Arm	
28	1	9997-1030-16	Skruv	Screw	
30	1	1134-9027-01	Spännrulle (Svart)	Tension Roller (Black)	
31	1	9799-1031-02	Mutter	Nut	
32	1	9997-1450-16	Skruv	Screw	Tillbehör/accessory
32	1	1134-2020-01	Motorremskiva	Engine Pulley	
33	1	9959-0820-16	Skruv	Screw	
34	1	9997-0850-16	Skruv	Screw	
35	1	9699-0056-02	Bricka	Washer	
36	1	1134-0052-00	Distans	Spacer	
37	1	1134-1769-02	Remskiva	Belt Pulley	
38	2	9651-0040-04	Sparring Sgh 40	Circlip	
40	1	1134-0051-09	Distans	Spacer	
41	2	9549-0019-00	Kullager	Ball Bearing	
43	1	9699-0109-02	Bricka	Washer	
44	1	1134-0222-00	Bricka	Washer	
45	1	9959-1025-16	Skruv	Screw	
46	1	1134-1730-01	Spännhjulsarm	Tensioning Wheel Arm	
47	2	1134-1888-01	Distans	Spacer	
48	1	1134-1770-01	Spännhjul Kpl	Tension Roller	
52	1	1134-1893-01	Fjäder	Spring	
53	2	9699-0062-02	Bricka	Washer	
54	1	9997-0865-12	Skruv	Screw	
55	1	1134-1322-01	Fjäder	Tensioning Wheel Spring	
56	1	9987-5338-12	Skruv	Screw	
57	1	1134-9012-01	Kilrem	V-Belt	= 9585-0056-00
60	1	1134-3654-01	Fingerskydd 5-01 24	Guard	
61	2	9739-0631-22	Mutter	Nut	
62	2	9959-0612-16	Skruv	Screw	
63	1	1134-2381-01	Remstyrning	Belt Guide	
64	2	9942-0816-16	Skruv	Screw	



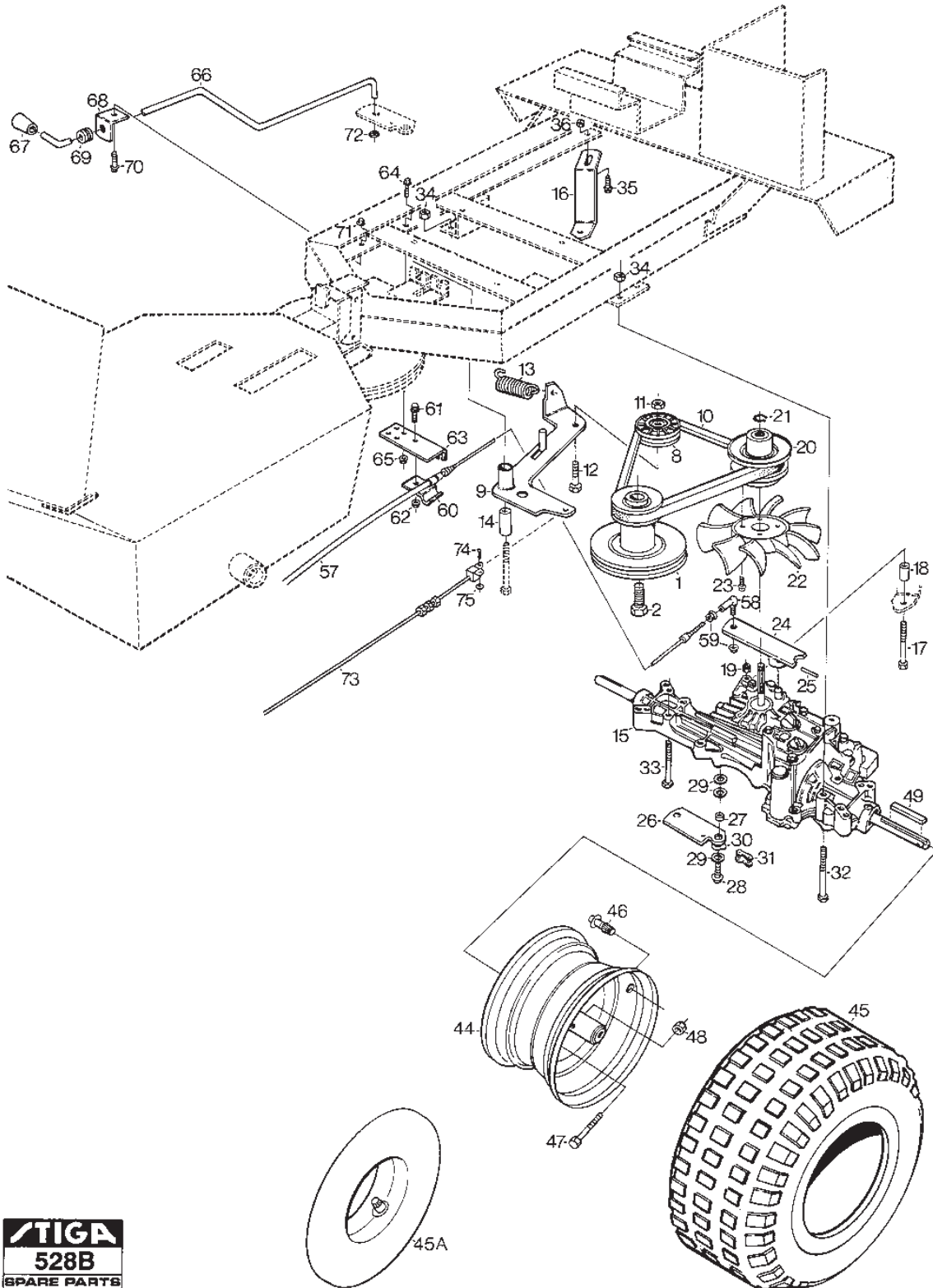
Utgåva Issue 46 - 2014		Kraftuttag Power Take-Off			
Pos. Fig.	Antal Quantity	Art nr Part No	Benämning	Description	Anmärkning Notes
64	2	9945-0816-16	Skruv	Screw	
66	1	1134-3400-01	Vinkelarm 5-01 24	Angle Plate	
67	2	9959-0816-16	Skruv	Screw	
91	1	9739-1031-22	Mutter	Nut	
92	1	1134-0041-03	Bussning	Bushing	
93	1	9997-1070-12	Skruv	Screw	



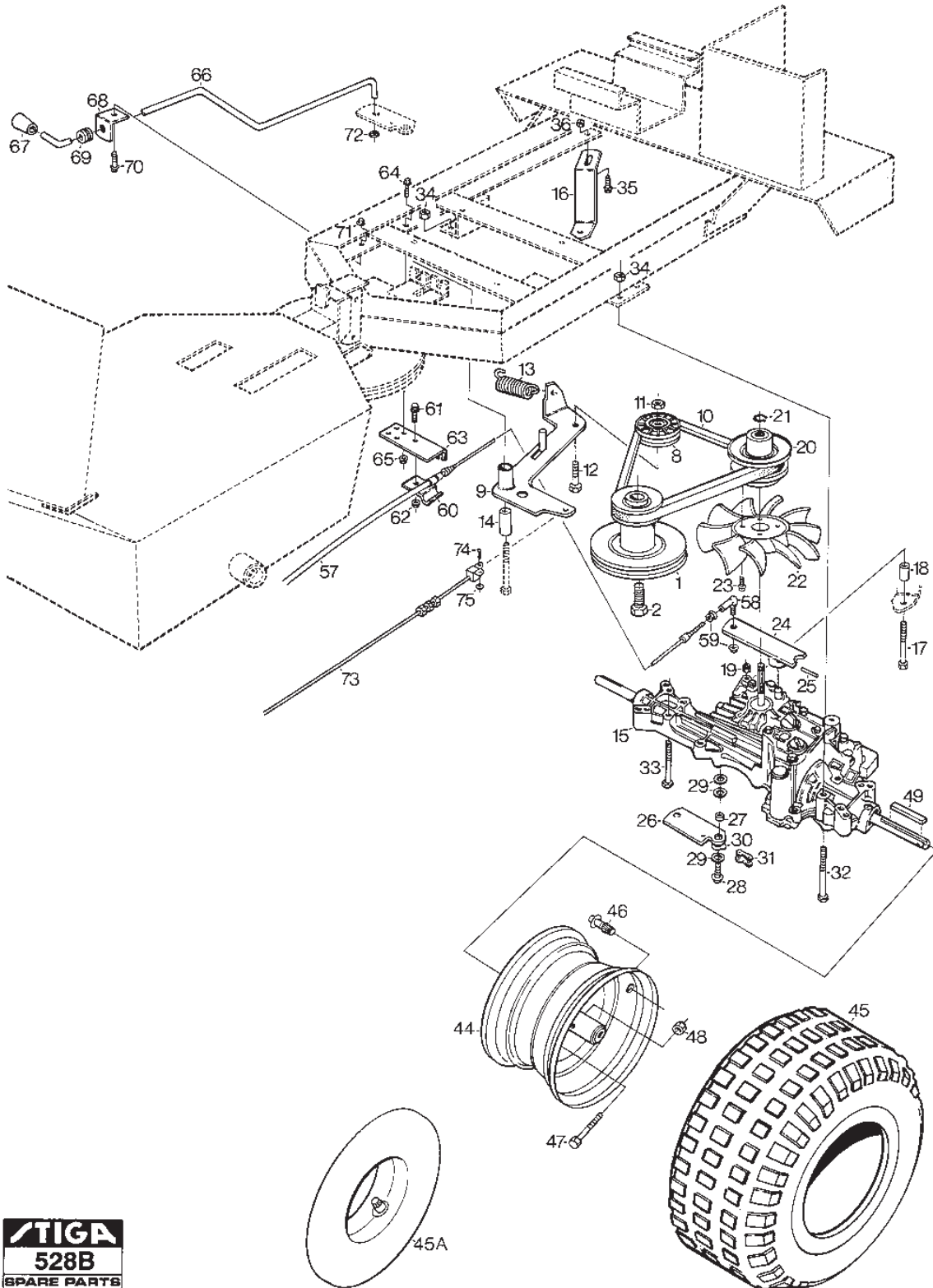
Utgåva Issue 46 - 2014		Kraftuttagsbroms		Pto-Brake	
Pos. Fig.	Antal Quantity	Art nr Part No	Benämning	Description	Anmärkning Notes
2	1	1134-2518-01	Konsol	Console	
3	1	1134-0245-00	Skruv	Screw	
4	1	9747-0831-02	Mutter Lasmutter	Nut	
5	1	1134-2522-01	Pivotplatta	Plate	
6	1	1134-2520-02	Stag	Stay	
7	1	1134-2663-01	Fjäder	Spring	
8	1	1134-2529-01	Fjäder	Spring	
9	5	9699-0025-02	Bricka	Washer	
10	3	9595-0110-00	Spiralspnst Prym N 2*10	Locating Pin	
11	1	9595-0153-00	Spiralspännstift N3*12	Locating Pin	
12	1	1134-2524-01	Broms	Brake	
15	2	9959-0612-16	Skruv	Screw	
16	2	9739-0631-22	Mutter	Nut	
17	1	9675-0009-02	Starlockbricka	Starlock	
18	1	1134-2521-01	Axel	Shaft	
19	2	9675-0009-02	Starlockbricka	Starlock	
20	1	1134-3633-01	Fjäder	Spring	
21	1	1134-2519-03	Stag	Stay	
22	1	9570-0004-00	Vinkellänk As 10 Din71802M6	Elbow Link	
23	1	9799-0631-02	Mutter	Nut	



Utgåva Issue 46 - 2014		Farthållare Drivpedal		Cruise Control Drive Pedal	
Pos. Fig.	Antal Quantity	Art nr Part No	Benämning	Description	Anmärkning Notes
2	1	1134-3706-01	Pedal	Pedal	
3	1	1134-2849-03	Slang	Rubber Hose (60 Mm)	L = 60 mm
4	2	1134-2780-01	Lager	Bearing	
5	2	1134-2700-01	Fäste	Bracket	
6	2	9959-0820-16	Skruv	Screw	
7	5	9739-0831-22	Mutter	Nut	
8	1	1134-3704-01	Konsol 5-01 24	1134-3997-01+1134-4010-01	
9	2	9997-0520-16	Skruv	Screw	
10	2	9739-0531-22	Mutter	Nut	
11	2	9699-0087-02	Bricka	Washer	
12	1	1134-2766-03	Reglagevajer	Speed Control Wire	
17	1	1134-2030-11	Kopplingswire	Clutch Cable	
18	1	1134-2991-01	Skruvögla	Eye Bolt	
19	1	1131-1506-00	Fjäder	Spring	
19	1	1134-3974-01	Fjäder	Spring	
20	1	9747-0531-02	Mutter	Nut	
23	1	1134-3450-02	Pedal Smst Vä	Pedal	
24	1	1134-9024-01	Lager (4 St)	Bearing	Sats 4 st/kit of 4
35	1	1134-0266-00	Plat Fästbygel	Plate Attaching Clamp	
37	2	9997-0520-16	Skruv	Screw	
52	1	9570-0001-00	Vinkellänk As8 Din 71802M5 Länk	Elbow Link Joint	
81	1	9997-0870-16	Skruv	Screw	
103	1	9959-0816-16	Skruv	Screw	
108	7	9739-0531-22	Mutter	Nut	
113	1	1134-0267-00	Plat Underläggsbleck	Plate Clamp Plate	

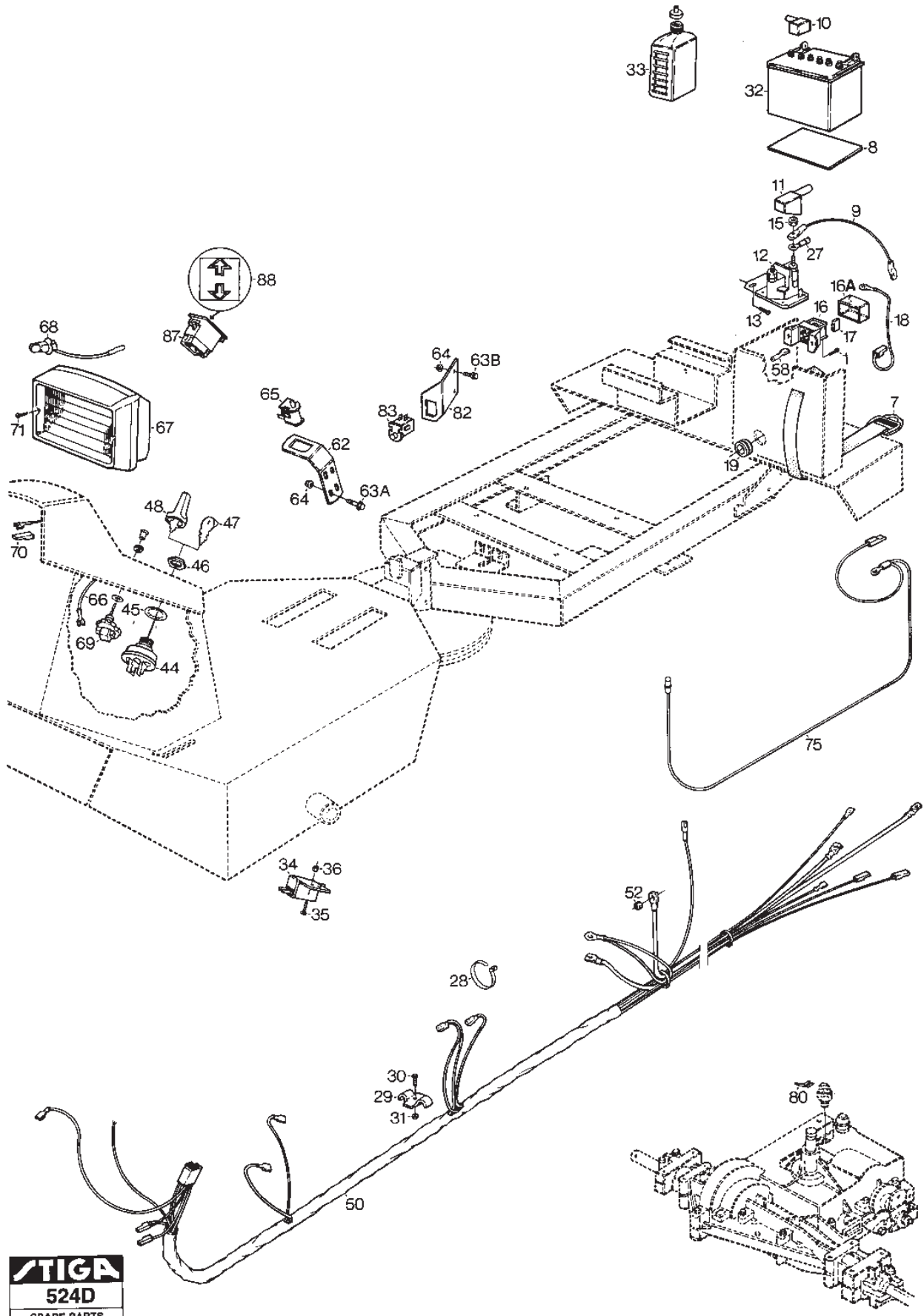


Utgåva Issue 46 - 2014		Transmission		Transmission	
Pos. Fig.	Antal Quantity	Art nr Part No	Benämning	Description	Anmärkning Notes
1	1	1134-2020-01	Motorremskiva	Engine Pulley	
2	1	9987-5338-12	Skruv	Screw	
8	1	1134-9027-01	Spännrulle (Svart)	Tension Roller (Black)	
9	1	1134-2015-03	Spännarm	Tension Arm	
10	1	1134-9036-01	Kilrem	V-Belt	= 9585-0083-00
11	1	9799-1031-02	Mutter	Nut	
12	1	9997-1030-16	Skruv	Screw	
13	1	1134-0645-00	Fjäder	Spring	
14	1	1134-1565-01	Distans	Spacer	
15	1	1134-3364-01	Hydrostat Trans (K55)	Transaxle	Kanzaki K55B
16	1	1134-3401-01	Svärd	Bar	
17	1	9997-0860-16	Skruv	Screw	
18	1	1134-0041-02	Bussning	Bushing	
19	1	9747-0831-02	Mutter Lasmutter	Nut	
20	1	1134-3407-01	Remskiva	Belt Pulley	
21	1	9650-0015-04	Lasring	CLock ring	
22	1	1134-3552-01	Fläkt	Fan	
23	4	9959-0612-16	Skruv	Screw	
24	1	1134-3409-01	ReglaVäxelm Kpl.	Control Lever	
25	1	9595-0258-00	Spännstift	Locating Pin	
26	1	1134-3414-01	Arm	Lever	
27	1	1134-2427-02	Distans	Spacer	
28	1	9942-0830-16	Skruv	Screw	
29	3	9699-0056-02	Bricka	Washer	
30	1	9696-0013-01	Bricka	Washer	
31	1	1134-3413-01	Kedjelas	Chain Lock	
32	2	9997-0875-12	Skruv	Screw	L = 75 mm
33	2	9997-0870-16	Skruv	Screw	L = 70 mm
34	4	9747-0831-02	Mutter Lasmutter	Nut	
35	1	9959-0820-16	Skruv	Screw	
36	1	9747-0831-02	Mutter Lasmutter	Nut	
44	2	1134-3175-01	Fälg-bak	Rim-rear	
44	2	1134-3175-02	Fälg 7-13	Rim	
45	2	9545-0116-00	Däck	Tyre	16 x 7.50 - 8
46	2	9545-0500-00	Ventil	Valve Assy.	
47	2	9997-0840-16	Skruv	Screw	
48	2	9747-0831-02	Mutter Lasmutter	Nut	
49	2	1134-2471-01	Kil	Key	
57	1	1134-2766-03	Reglagevajer	Speed Control Wire	
58	1	9570-0001-00	Vinkellänk As8 Din 71802M5 Länk	Elbow Link Joint	
59	2	9739-0531-22	Mutter	Nut	
60	1	1134-2021-01	Växelwirefäste	Clamp	
61	1	9959-0816-16	Skruv	Screw	
62	1	9739-0831-22	Mutter	Nut	
63	1	1134-3400-01	Vinkelarm 5-01 24	Angle Plate	
64	2	9959-0820-16	Skruv	Screw	
65	2	9739-0831-22	Mutter	Nut	
66	1	1134-3415-01	Reglagestang	Control Rod	
67	1	1134-2786-01	Knopp	Knob	



STIGA
528B
SPARE PARTS

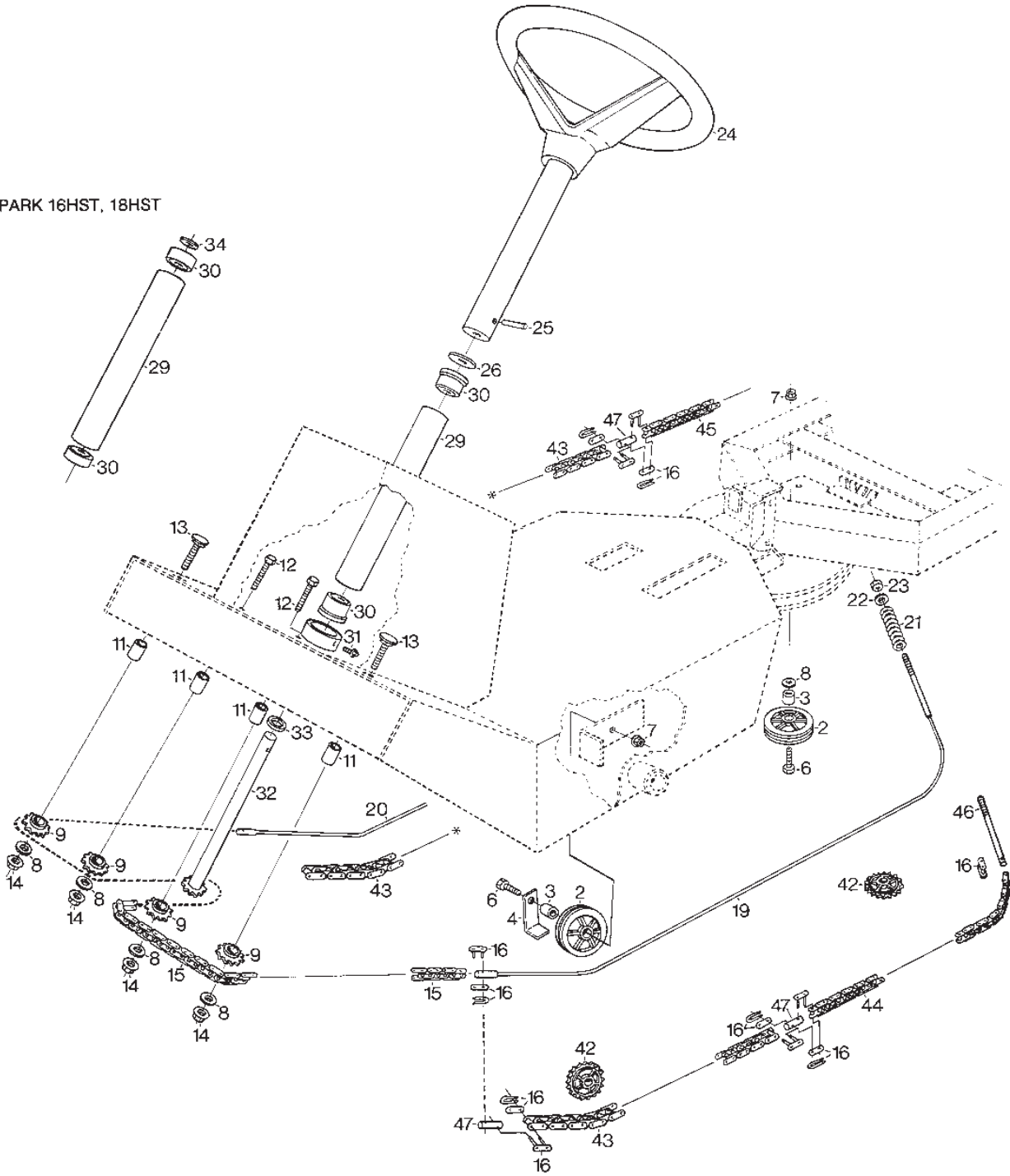
Utgåva Issue 46 - 2014		Transmission			
Pos. Fig.	Antal Quantity	Art nr Part No	Benämning	Description	Anmärkning Notes
68	1	1134-2789-01	Fäste	Bracket	
69	1	1134-2790-01	Kabelgenomföring	Cable Protection	
70	1	9959-0816-16	Skruv	Screw	
71	1	9739-0831-22	Mutter	Nut	
72	1	9675-0012-02	Starlock	Locking washer	
73	1	1134-2030-11	Kopplingswire	Clutch Cable	
74	1	9646-0036-22	Nit Kn 5X12	Rivet	
75	1	9675-0008-02	Starlockbricka	Starlock	



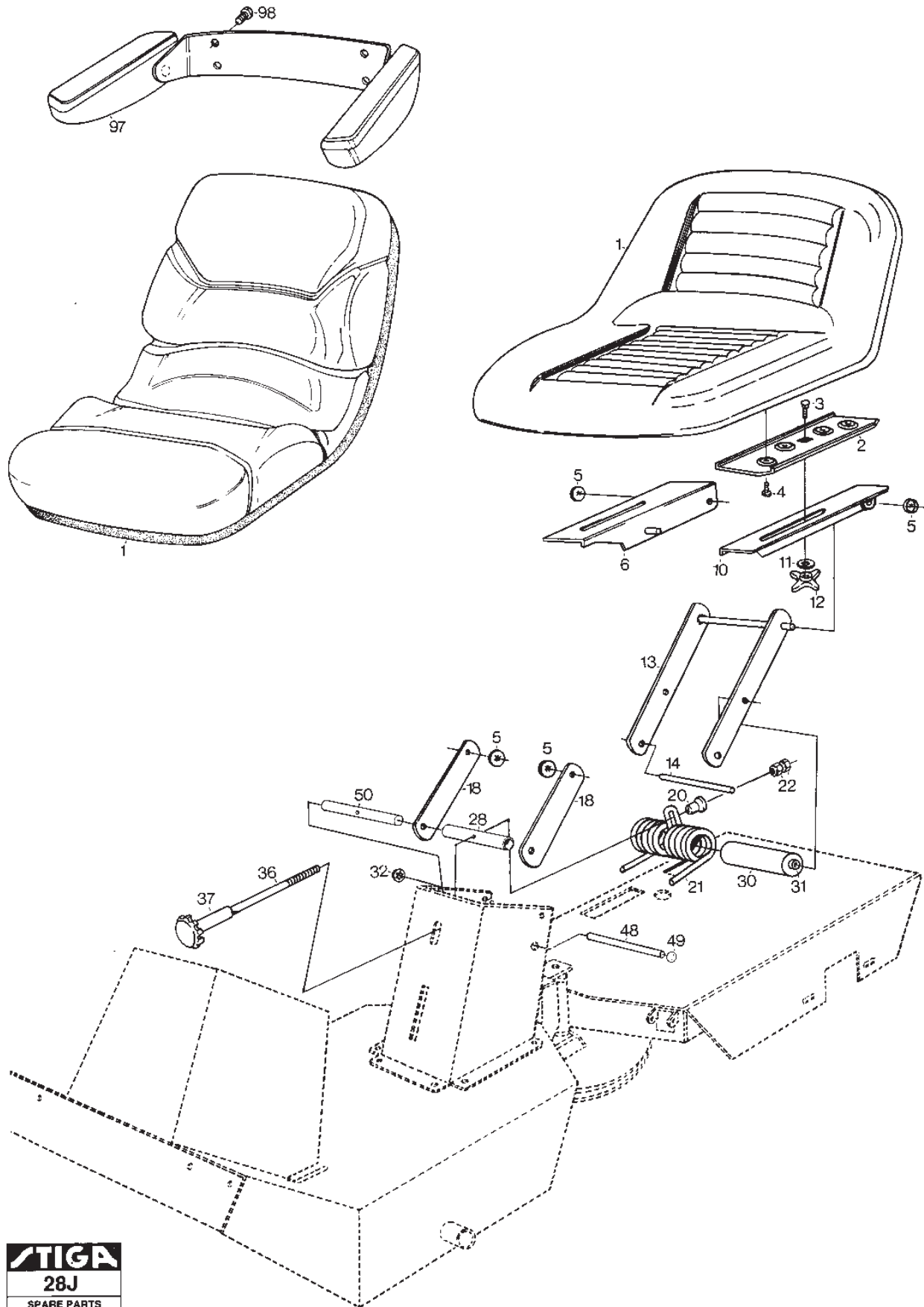
STIGA
524D
SPARE PARTS

Utgåva Issue 46 - 2014		Esystem	Electrical System		
Pos. Fig.	Antal Quantity	Art nr Part No	Benämning	Description	Anmärkning Notes
1	2	9849-8006-16	Skruv	Screw	
7	1	9400-0064-02	Batterihallare	Battery Holder	
8	1	1134-2333-02	Batteriunderlägg	Battery Pad	
9	1	1134-0234-01	Batterikabel (+)	Battery Cable (+)	
10	1	1134-2310-01	Batteriskydd	Guard Cap (+)	
11	1	1134-2948-01	Skyddshätta	Guard Cap	
12	1	1134-2962-01	Solenoid Kpl Service	Solenoid	Inkl pos 15
13	2	9849-8009-16	Skruv	Screw	
15	2	9794-5131-02	Mutter	Nut	
16	1	1134-3491-01	Säkringshallare	Fuse Carrier Fuse Holder	
16	1	1134-3631-01	Lock (5-01) Lock	Cover-Fuse Holder	
17	2	1134-3496-01	Säkring (10A)	Fuse (10A)	10A
18	1	1134-3874-01	Kabel	Cable	
19	1	1134-3203-05	Kabelgenomföring	Grommet	
27	1	9400-0223-00	Ringkabelsko 8Mm A2585 R	Cable Fitting	
28	8	9579-0003-00	Buntband	Cable Holder	
29	1	1134-2782-01	Lasbleck	Clamp	
30	1	9997-0520-16	Skruv	Screw	
31	1	9739-0531-22	Mutter	Nut	
32	1	1134-2892-01	Batteri	Battery	
33	1	1134-3300-01	Batterisyra	Battery Acid	2 x 0.85 liter
34	1	1134-3399-02	Brytare	Switch	
35	2	9997-0520-16	Skruv	Screw	
36	2	9747-0531-02	Mutter	Nut	
44	1	1134-1814-01	Tändningslas Kpl Service	Starter Switch Assy.	
45	1	1134-2853-01	Bricka	Washer	
46	1	1134-2852-01	Mutter	Nut	
47	1	1134-2848-01	Tändningsnyckel	Ignition Key	
48	1	1134-3368-01	Tändningsnyckel	Ignition Key	
50	1	1134-3492-01	Kablage	Harness	1443
50	1	1134-3489-01	Kabelhärva	Cable Harness	1358
52	1	9795-3531-02	Mutter	Nut	
58	1	9400-0238-00	Flatstiftshylsa A1507Fls	Cable Connection	
63	2	9959-0612-16	Skruv	Screw	12 mm
64	2	9739-0631-22	Mutter	Nut	
66	1	1134-3732-01	Kabel	Cable	
67	1	1134-1466-01	Stralkastare Kpl	Headlamp Assy.	
68	1	9400-0075-00	Glödlampa 12336H3 12	Glow Lamp	
69	1	9400-0063-00	Brytare	Switch	
70	2	1134-3733-01	Bussning	Bushing	
71	2	9847-7919-16	Skruv	Screw	
82	1	1134-3551-01	Brytarfäste	Attachment	1442,1443,1446
83	1	1134-3156-01	Brytare	Switch	1442,1443,1446

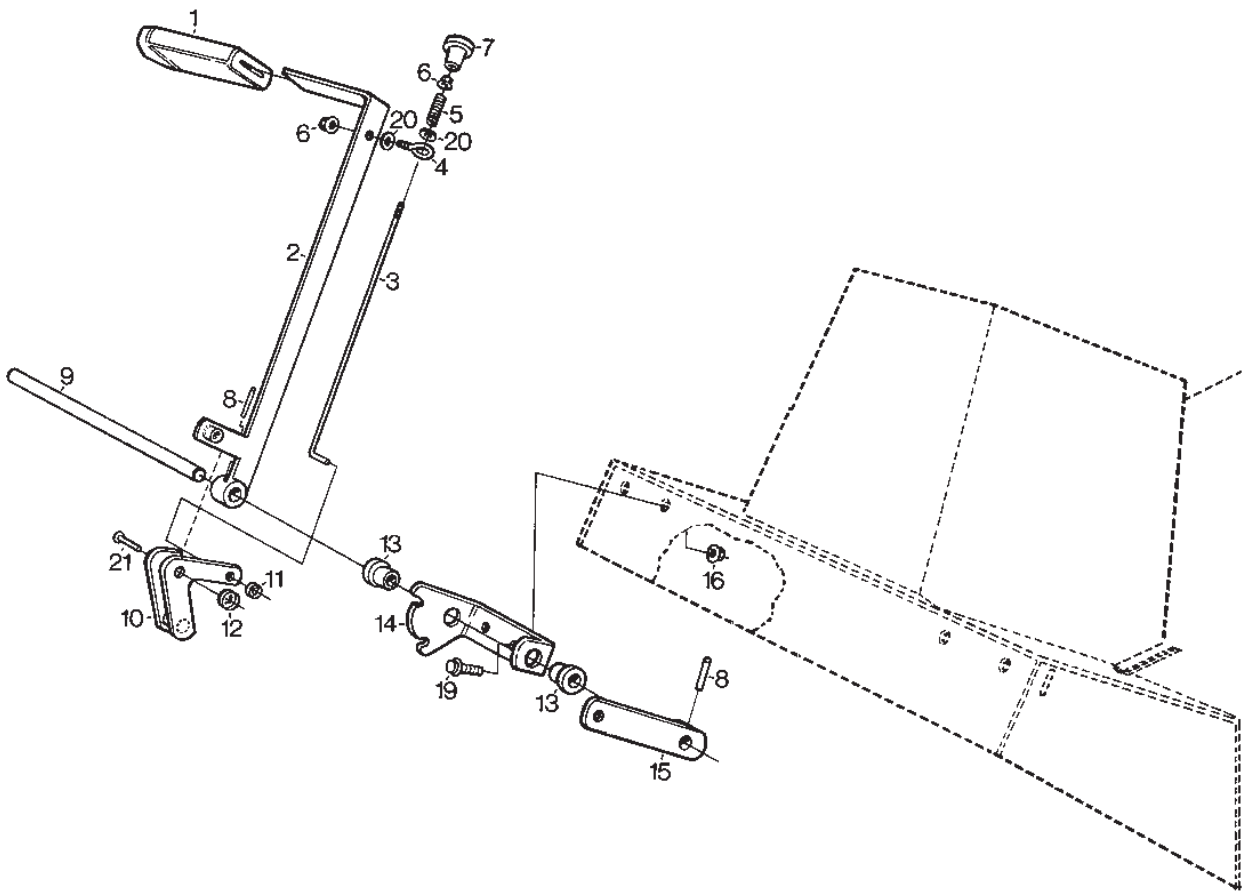
PARK 16HST, 18HST



Utgåva Issue 46 - 2014		Styrning Steering			
Pos. Fig.	Antal Quantity	Art nr Part No	Benämning	Description	Anmärkning Notes
2	2	1134-9025-01	Linhjul	Steering Pulley	Innehåller/contains 2
3	3	1134-0041-01	Bussning	Bushing	
4	2	1134-3022-01	Fäste	Bracket	
6	3	9997-1030-16	Skruv	Screw	
7	3	9739-1031-22	Mutter	Nut	
8	5	9699-0035-02	Bricka	Washer	
9	4	1134-2816-01	Kedjehjul	Sprocket	
11	4	1134-0041-02	Bussning	Bushing	
12	2	9997-1040-12	Skruv	Screw	
13	2	9897-1040-12	Skruv	Screw	
14	4	9739-1031-22	Mutter	Nut	
15	1	1134-2820-01	Kedja79 Länkar	Chain W/O Lock	79 länk/links
16	2	1134-2824-01	Kedjelas	Chain Lock	
19	1	1134-2817-01	Styrwire	Steering Cable Left	L = 939 mm
20	1	1134-2817-02	Styrwire	Steering Cable,Rh	L = 990 mm
21	2	1134-2818-01	Fjäder	Spring	
21	2	1134-3817-01	Fjäder	Spring	
22	2	9699-0090-02	Bricka	Washer	
23	2	9747-0831-02	Mutter Lasmutter	Nut	
24	1	1134-1966-03	Ratt	Steering Wheel	
25	1	9595-0262-00	Spännstift	Locating Pin Elastic Pin	
26	1	9699-0114-02	Bricka	Washer	1.0 mm
26	1	9699-0103-02	Bricka	Washer	0.5 mm
29	1	1134-1305-03	Rattrör Nedre	Steering Column,Lower	
30	2	1134-1901-01	Lager	Bearing	
31	2	9942-0612-16	Skruv	Screw	
32	1	1134-2821-01	Rattstang	Steering Rod	
33	1	1134-2837-01	Distans	Spacer	



Utgåva Issue 46 - 2014		Sits	Seat		
Pos. Fig.	Antal Quantity	Art nr Part No	Benämning	Description	Anmärkning Notes
1	1	1134-2541-01	Sits Suburban	Seat	1258,1358,1443,1446
2	2	1134-2961-01	Sitsadapter 5-01 24	Seat Adapter	
3	2	9898-0820-16	Skruv	Screw	
4	4	9988-3616-16	Skruv	Screw	
5	4	9675-0017-02	Lasbricka	Starlock	
6	1	1134-3618-01	Sitsfäste Kpl. 5-01 14	Seat Attachment-R.H.	
10	1	1134-3618-02	Sitsfäste Kpl. 5-01 14	Seat Attachment-L.H.	
11	2	9699-0062-02	Bricka	Washer	
12	2	1134-1711-01	Knopp	Knob	
13	1	1134-1652-01	Fjäder	Spring	
14	1	1134-0050-00	Sitsstang	Seat Rod	
18	2	1134-1650-01	Parallellstag	Tie Bar	
20	1	1134-0493-00	Mutter	Nut	
21	1	1134-0015-00	Sitsfjäder	Seat spring	
22	2	9799-0831-02	Mutter	Nut	
28	1	1134-2846-01	Rör	Tube	
30	1	1134-1883-01	Axel	Axle	
31	1	1134-0022-00	Reglagestang	Control Rod	
32	2	9672-0004-02	Starlock	Starlock	
36	1	1134-2163-01	Spännstang Kpl.	Rod	
37	1	1134-2166-01	Distans	Spacer	
48	1	1134-2454-01	Axel	Shaft	
49	2	9672-0006-02	Starlock	Lock washer	
50	1	1134-2847-01	Mellanstag	Shaft	



Utgåva Issue 46 - 2014		Manuell Redskapslyft		Manual Lifting Device	
Pos. Fig.	Antal Quantity	Art nr Part No	Benämning	Description	Anmärkning Notes
0	1	1134-0410-08	röds kapslyft Smstpark	Lifting Device Assy	
1	1	9403-0110-01	Höjdinst.Handtag Ej Kapad	Handle	
2	1	1134-0859-03	Svärd	Bar	
3	1	1134-0858-00	Tryckstang	Push Rod	
4	1	1134-1889-01	Skruvögla	Eye Bolt	
5	1	1111-0053-00	Fjäder	Spring	
6	2	9739-0631-22	Mutter	Nut	
7	1	1134-0583-00	Knopp	Knob	
8	2	9595-0258-00	Spännstift	Locating Pin	
9	1	1134-1884-01	Lyftaxel	Lifting Shaft	
10	1	1134-2911-01	Lashake	Locking Pawl	
11	1	9675-0008-02	Starlockbricka	Starlock	
12	1	9675-0012-02	Starlock	Locking washer	
13	2	1134-2684-01	Lager	Bearing	
14	1	1134-0536-00	Lyftsegment	Locking Plate	
15	1	1134-0857-00	Arm Kpl.	Arm	
16	2	9739-1031-22	Mutter	Nut	
19	2	9959-1020-16	Skruv	Screw	
20	2	9699-0025-02	Bricka	Washer	
21	1	9646-0099-22	Nit Kn 8X30	Rivet	

code	pos.	q.ty	page									
9799-1031-02	11	1	p. 43	9997-1040-12	12	2	p. 49	262247	34	1	p. 7	
9799-1031-02	31	1	p. 35	9997-1070-12	93	1	p. 37	262248	45	2	p. 7	
9847-7919-16	71	2	p. 47	9997-1450-16	32	1	p. 35	262766	216	1	p. 3	
9847-8016-16	19	1	p. 35	19203	363	1	p. 9	262767	201	1	p. 7	
9849-8006-16	1	2	p. 47	26828	36	1	p. 7	262785	232	1	p. 7	
9849-8009-16	13	2	p. 47	27803	9	1	p. 7	262820	111	1	p. 3	
9849-8013-16	7	2	p. 31	65906	35	1	p. 7	262924	870	1	p. 9	
9849-8013-16	26	1	p. 31	66538	635	1	p. 9	262932	741	1	p. 9	
9849-8013-16	42	2	p. 29	93306	614	1	p. 9	263080	615	1	p. 3	
9849-8013-16	50	2	p. 29	93621	482	4	p. 3	263129	27	2	p. 7	
9849-8013-16	77	2	p. 33	94010	965	2	p. 5	270920	116	1	p. 7	
9849-8032-16	51	1	p. 29	94098	95	2	p. 3	271866	7	1	p. 7	
9897-1040-12	13	2	p. 49	94196	146	1	p. 7	271916	12	1	p. 7	
9898-0820-16	3	2	p. 51	94239	15	1	p. 7	272403	535	1	p. 3	
9942-0612-16	19	2	p. 33	94593	761	2	p. 9	272465	51	1	p. 3	
9942-0612-16	21	2	p. 31	94621	10	2	p. 7	272554	51	1	p. 3	
9942-0612-16	31	2	p. 49	94622	13	7	p. 7	280104	783	1	p. 5	
9942-0816-16	8	6	p. 29	94626	78	3	p. 7	280687	1005	1	p. 9	
9942-0816-16	10	2	p. 31	94627	188	2	p. 7	280848	668	1	p. 9	
9942-0816-16	10	4	p. 29	94637	53	2	p. 3	281051	171	1	p. 3	
9942-0816-16	63	6	p. 29	94642	950	1	p. 5	281104	872	1	p. 5	
9942-0816-16	64	2	p. 35	94673	1044	1	p. 9	281106	537	1	p. 3	
9942-0830-16	28	1	p. 43	94704	284	1	p. 3	281159	729	1	p. 9	
9945-0816-16	64	2	p. 37	94730	224	1	p. 3	281164	138	1	p. 3	
9959-0612-16	15	2	p. 39	94731	334	2	p. 3	281165	137	1	p. 3	
9959-0612-16	23	4	p. 43	94776	13	2	p. 7	281166	987	1	p. 5	
9959-0612-16	62	2	p. 35	94786	305	4	p. 9	281246	11	1	p. 7	
9959-0612-16	63	2	p. 47	94896	346	2	p. 9	281346	93	1	p. 3	
9959-0816-16	10	1	p. 33	94903	284	1	p. 9	281364	1091	1	p. 5	
9959-0816-16	45	2	p. 29	94906	657	1	p. 9	281370	529	1	p. 9	
9959-0816-16	61	1	p. 43	94907	562	1	p. 9	291675	20	1	p. 7	
9959-0816-16	67	2	p. 37	94913	123	2	p. 3	292260	41	1	p. 7	
9959-0816-16	70	1	p. 45	94927	230	2	p. 7	298049	187	1	p. 3	
9959-0816-16	103	1	p. 41	94929	663	1	p. 5	298090	240	1	p. 3	
9959-0820-16	6	2	p. 41	94929	663	2	p. 9	298909	759	1	p. 9	
9959-0820-16	12	2	p. 31	94930	307	1	p. 9	391086	3	1	p. 7	
9959-0820-16	33	1	p. 35	94951	728	2	p. 5	391780	26	1	p. 7	
9959-0820-16	35	1	p. 43	95017	32	2	p. 7	392134	726	1	p. 5	
9959-0820-16	46	4	p. 29	95035	310	2	p. 3	393362	878	1	p. 5	
9959-0820-16	64	2	p. 43	95162	601	2	p. 3	393456	877	1	p. 5	
9959-1020-16	12	1	p. 29	213720	46	1	p. 7	393474	474	1	p. 3	
9959-1020-16	19	2	p. 53	213819	50	1	p. 3	399265	2	1	p. 7	
9959-1025-16	15	1	p. 31	213998	757	1	p. 9	399891	758	1	p. 9	
9959-1025-16	45	1	p. 35	221535	265	1	p. 9	490348	29	1	p. 7	
9987-5338-12	2	1	p. 43	221596	40	1	p. 7	490815	43	1	p. 7	
9987-5338-12	56	1	p. 35	222561	455	1	p. 9	491323	87	1	p. 7	
9988-3616-16	4	4	p. 51	222698	24	1	p. 7	491490	308	1	p. 9	
9988-3651-12	8	2	p. 33	224413	1006	1	p. 9	491986	552	1	p. 9	
9997-0520-16	9	2	p. 41	224502	37	1	p. 7	492326	23	1	p. 7	
9997-0520-16	30	1	p. 47	224517	73	1	p. 7	492341	333	1	p. 3	
9997-0520-16	35	2	p. 47	224539	130	1	p. 3	493496	186	1	p. 3	
9997-0520-16	37	2	p. 41	224540	108	1	p. 3	493880	851	1	p. 5	
9997-0670-12	22	1	p. 31	224545	306	1	p. 9	493903	467	1	p. 3	
9997-0812-02	40	1	p. 33	224546	646	1	p. 5	493935	227	1	p. 7	
9997-0840-16	1	3	p. 33	224558	108	1	p. 3	494237	161	1	p. 3	
9997-0840-16	47	2	p. 43	225136	75	1	p. 7	494238	4	1	p. 7	
9997-0850-16	34	1	p. 35	225170	729	1	p. 5	494240	5	1	p. 7	
9997-0860-16	17	1	p. 43	231109	668	1	p. 9	494241	358	1	p. 9	
9997-0865-12	54	1	p. 35	231218	871	1	p. 9	494328	356	1	p. 9	
9997-0870-16	2	1	p. 33	231789	104	1	p. 3	494378	975	1	p. 5	
9997-0870-16	33	2	p. 43	231854	106	1	p. 3	494379	131	1	p. 3	
9997-0870-16	81	1	p. 41	231855	105	1	p. 3	494381	133	1	p. 3	
9997-0875-12	32	2	p. 43	231978	592	1	p. 9	494383	94	1	p. 3	
9997-1030-16	6	3	p. 49	261306	209	1	p. 7	494453	634	1	p. 5	
9997-1030-16	12	1	p. 43	261463	869	1	p. 9	494455	634	1	p. 3	
9997-1030-16	28	1	p. 35	261961	871	1	p. 9	494553	42	2	p. 7	
				262246	33	1	p. 7	495097	141	1	p. 3	

code	pos.	q.ty	page
495157	616	1	p. 9
495162	16	1	p. 7
495230	523	1	p. 9
495611	222	1	p. 7
495735	8	1	p. 7
495800	98	1	p. 3
495931	141	1	p. 3
496113	525	1	p. 9
496318	304	1	p. 9
496413	1	1	p. 7
496415	847	1	p. 9
496894	445	1	p. 3
497401	309	1	p. 3
497605	1090	1	p. 5
497606	510	1	p. 3
497607	802	1	p. 5
497608	311	4	p. 3
497626	801	1	p. 5
497736	142	1	p. 3
498027	125	1	p. 3
498319	28	1	p. 7
499220	121	1	p. 3
499282	25	1	p. 7
692125	22	8	p. 7
806000	503	1	p. 3