



Reservdelskatalog Parts Catalogue

PARK PRO 16

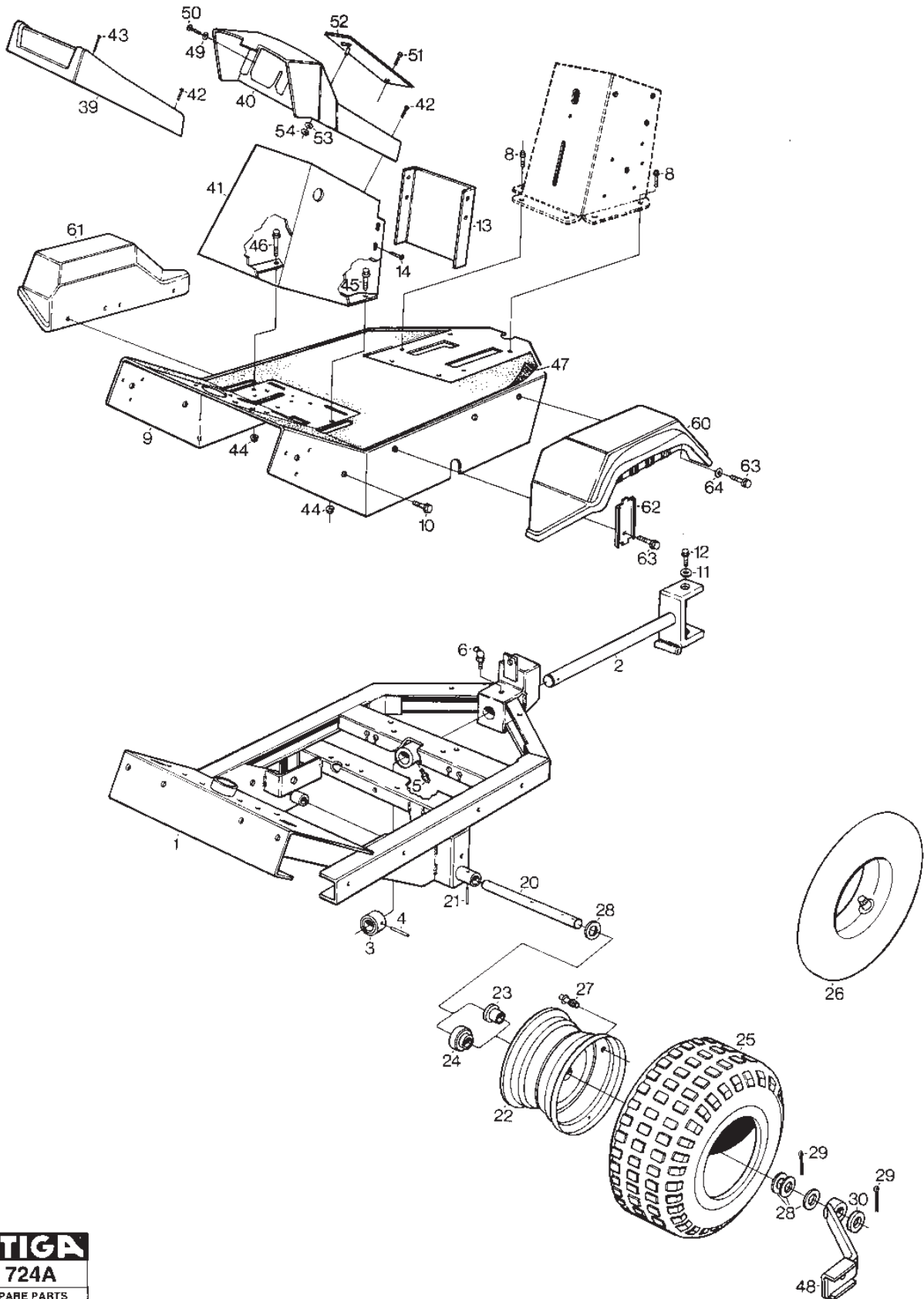
13-1458-22 - Season 1999

- Use GLOBAL GARDEN PRODUCT Genuine Spare Parts specified in the parts list for repair and/or replacement.
 - The contents described in the parts list may change due to improvement.
 - The drawings of the spare parts are only indicative and might not represent the part in question exactly.
 - The indications "right" - "left" - "front" - "rear" refer to the position of the operator when using the machine.
- When placing orders of parts for repair and/or replacement, make sure that the illustrated parts list is the one applying to the machine's year of manufacture, as shown on the identification plate attached to the machine.

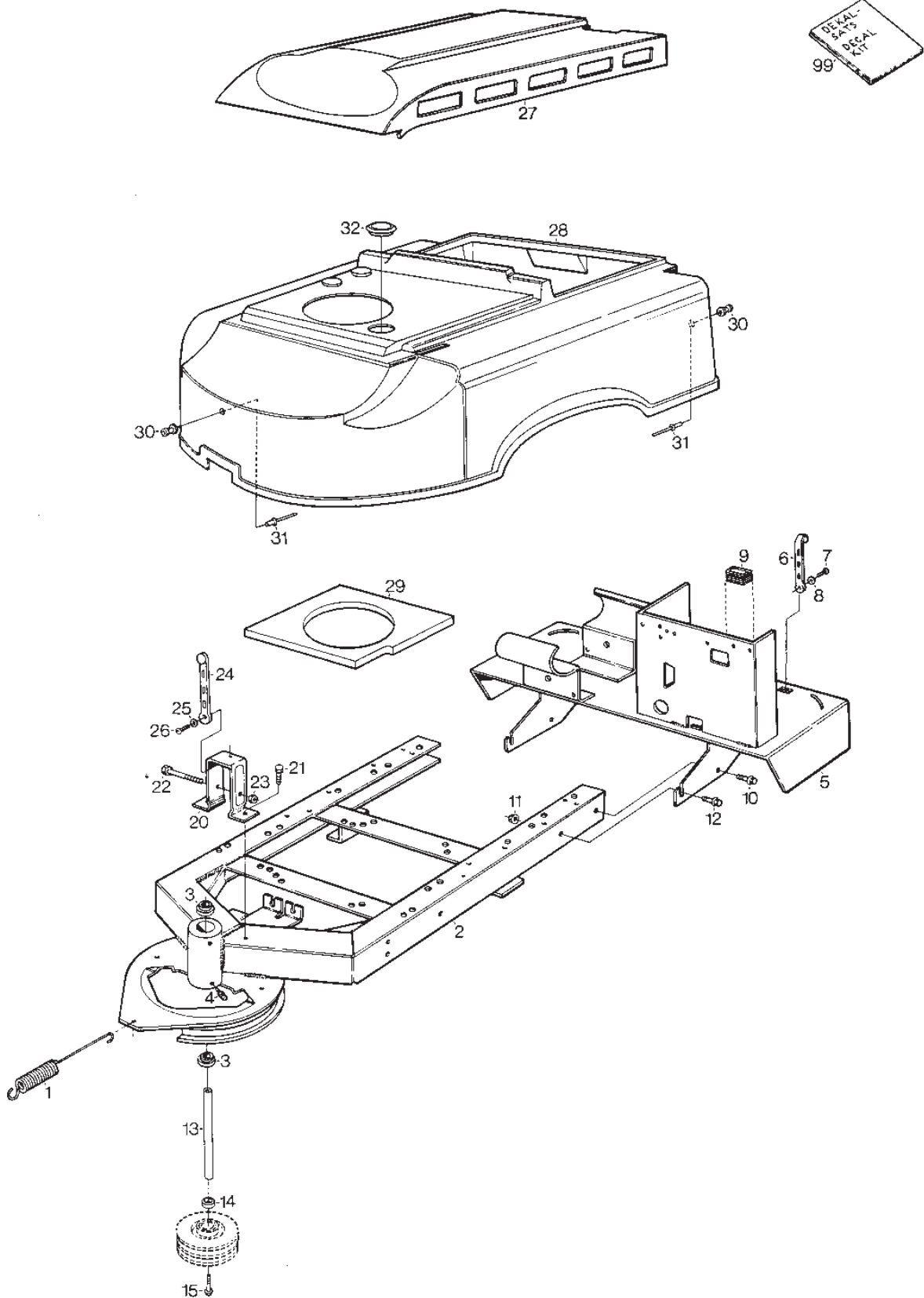
© Copyright 2014 Global Garden Products

All rights reserved. No part of this material may be reproduced or transmitted, in any form or by any means, electronic or mechanical, including photocopying, recording or by any information storage and retrieval system, without permission in writing from GLOBAL GARDEN PRODUCTS.

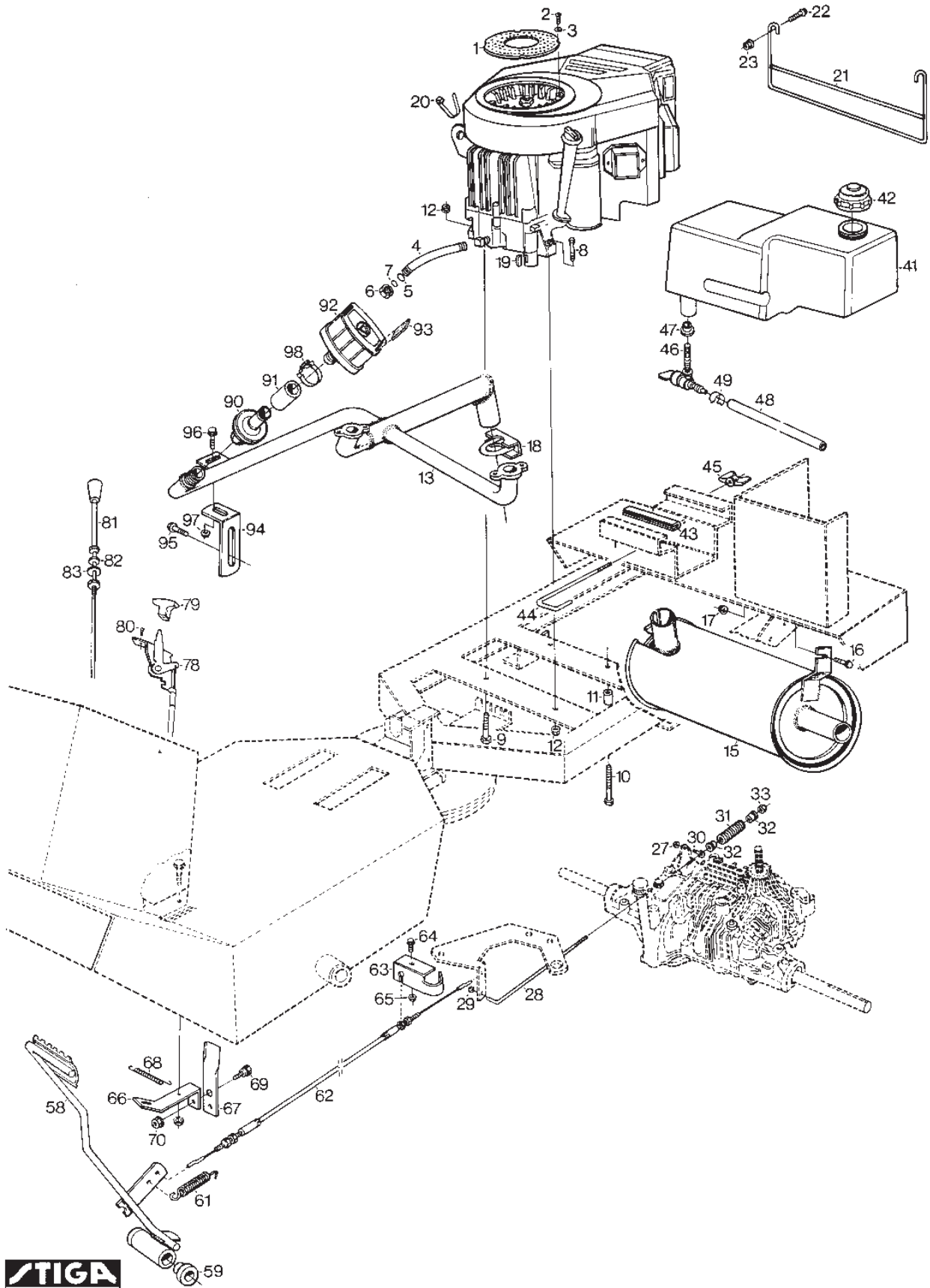
www.stiga.com



Utgåva Issue 46 - 2014		Främre Ram Front Frame			
Pos. Fig.	Antal Quantity	Art nr Part No	Benämning	Description	Anmärkning Notes
1	1	1134-3411-03	Främre ram	Front frame	
2	1	1134-1757-07	Midjegaffel M Ledaxel	Clevis	
3	1	1134-0031-00	Ledaxelstopp Ledaxelstopp	Pivot Shaft Stop	
4	1	9595-0262-00	Spännstift	Locating Pin Elastic Pin	
5	1	9501-0500-00	Smörjkopp Kort Rak	Grease Dispenser	
6	1	9501-0502-00	Smörjnippel	Grease Joint	
8	6	9945-0816-16	Skruv	Screw	
9	1	1134-1192-22	Durk Kpl	Floor Plate	
10	4	9945-0816-16	Skruv	Screw	
11	1	9699-0035-02	Bricka	Washer	
12	1	9959-1020-16	Skruv	Screw	
13	1	1134-3363-01	Lock (1-00 F12)	Cover	
14	4	9849-8013-16	Skruv	Screw	
20	2	1134-0075-01	Framaxeltapp	Front Axle	
21	2	9595-0258-00	Spännstift	Locating Pin	
22	2	1134-2888-02	Fälg M Kullager	Rim	
24	2	9549-0036-00	Kullager	Ball Bearing	
25	2	9545-0116-00	Däck	Tyre	16 x 7.50 - 8
27	2	9545-0500-00	Ventil	Valve Assy.	
28	8	1134-0341-01	Bricka	Washer	
29	4	9599-0080-02	SaxSprint Sp 4*28	Cotter Pin	
30	2	9699-0042-02	Bricka	Washer	
40	1	1134-3371-05	Instrumentpanel P16/18	Panel	
41	1	1134-2833-10	Frontdekor Kpl 1-00 02	Front Trim Plate	
42	2	9849-8013-16	Skruv	Screw	B10 x 13
44	6	9739-0831-22	Mutter	Nut	
45	2	9959-0816-16	Skruv	Screw	L = 16 mm
46	4	9959-0820-16	Skruv	Screw	L = 20 mm
47	1	1134-3546-01	Durkmatta Park Hst	Floor Mat	
48	2	1134-3710-01	Fäste Kpl 5-01 15	Attachment For Accessories	
49	2	9699-0099-02	Bricka	Washer	
50	2	9849-8013-16	Skruv	Screw	B10 x 13
51	1	9849-8032-16	Skruv	Screw	B10 x 32
52	1	1134-3758-01	Lock 5-01	Cover	
60	1	1134-2174-01	Framskärm Vänster	Mudguard,Lh (Yellow)	
61	1	1134-2174-02	Framskärm Höger	Mudguard,Rh (Yellow)	
62	4	1134-0225-00	Stödplat	Support Plate	
63	6	9945-0816-16	Skruv	Screw	
64	2	9699-0056-02	Bricka	Washer	

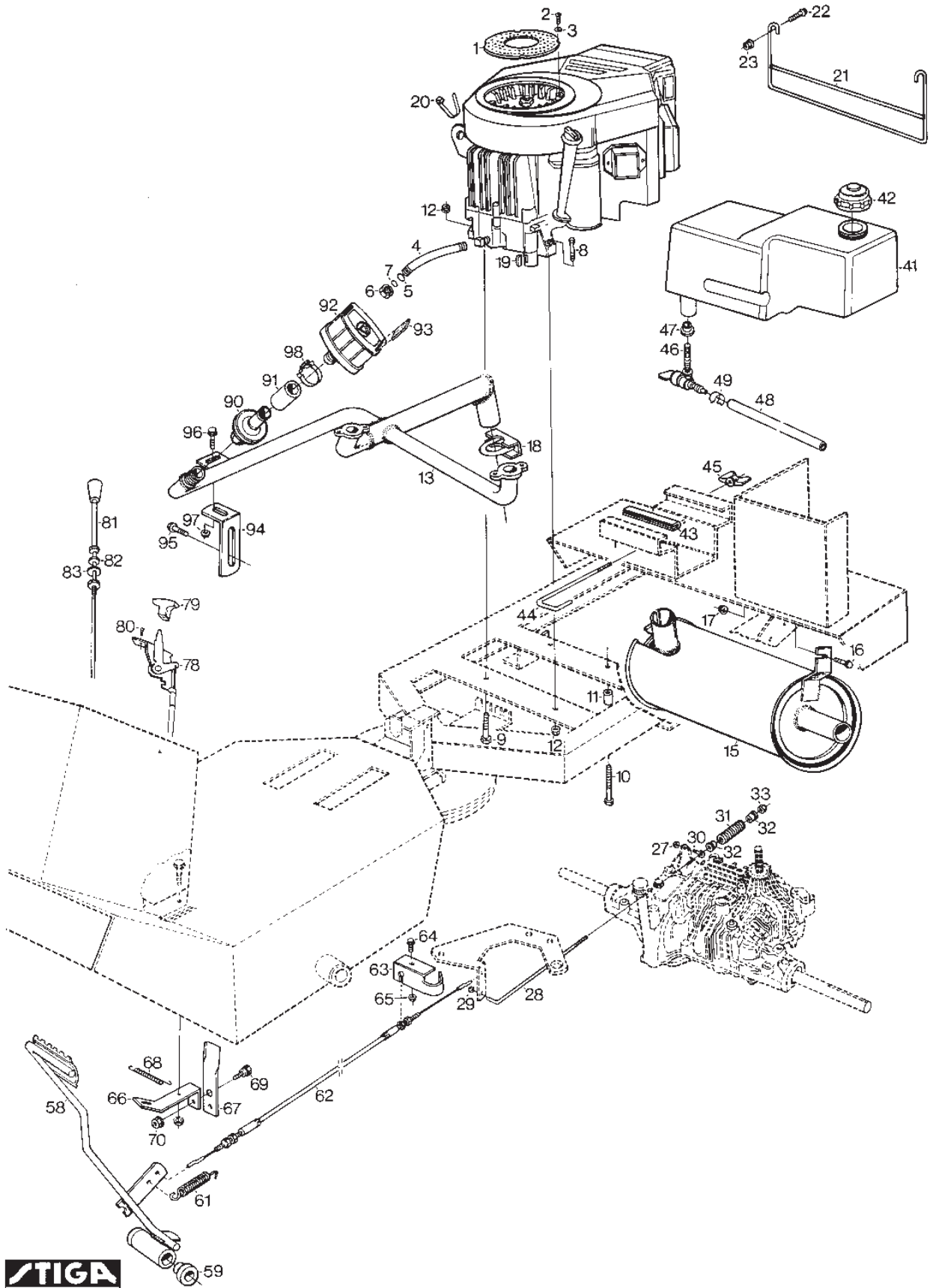


Utgåva Issue 46 - 2014		Bakre Ram		Rear Frame	
Pos. Fig.	Antal Quantity	Art nr Part No	Benämning	Description	Anmärkning Notes
1	1	1134-2171-01	Fjäder	Spring	
2	1	1134-3412-01	Ram Bakre Kpl. 5-01 01	Rear Frame	
3	2	9547-0001-00	Ledlager Ge17Es	Bearing	
4	2	9501-0500-00	Smörjkopp Kort Rak	Grease Dispenser	
5	1	1134-2899-03	Stötfangare-Bakre	Rear Bumper	
6	1	1134-9028-01	Gummistropp (3 St)	Rubber Strap (3 Pcs)	Sats 3 st/kit of 3
7	2	9849-8013-16	Skruv	Screw	
8	2	9699-0087-02	Bricka	Washer	
9	3	1134-3540-01	Ändavslutning Ir 2030	Plastic Plug	1442,1443,1446,1448
10	2	9945-0816-16	Skruv	Screw	
11	2	9739-0831-22	Mutter	Nut	
12	2	9959-0820-16	Skruv	Screw	
13	1	1134-0057-00	Centrumaxel	Centre Shaft	
14	1	1134-0052-00	Distans	Spacer	
15	1	9959-1025-16	Skruv	Screw	
20	1	1134-2951-01	Huvstöd Par	Engine Cover Support	
21	2	9942-0612-16	Skruv	Screw	
22	1	9997-0670-12	Skruv	Screw	
23	1	9747-0631-02	Mutter Lasmutter	Nut	
24	1	1134-9028-01	Gummistropp (3 St)	Rubber Strap (3 Pcs)	Sats 3 st/kit of 3
25	1	9699-0087-02	Bricka	Washer	
26	1	9849-8013-16	Skruv	Screw	
27	1	1134-2215-01	Motorlucka	Engine Cover (Black)	
28	1	1134-3215-01	Motorhuv 1-00	Engine Hood	
29	1	1134-2053-02	Ljudisoleringsmatta	Foam Pad	H = 10 mm
30	3	9405-0029-00	Knopp	Knob	
31	3	9632-0516-00	Popnit 9.5	Pop Rivet	
32	1	1134-2944-01	Plugg	Plug	
99	1	1134-3924-01	Dekalsats	Label Kit	



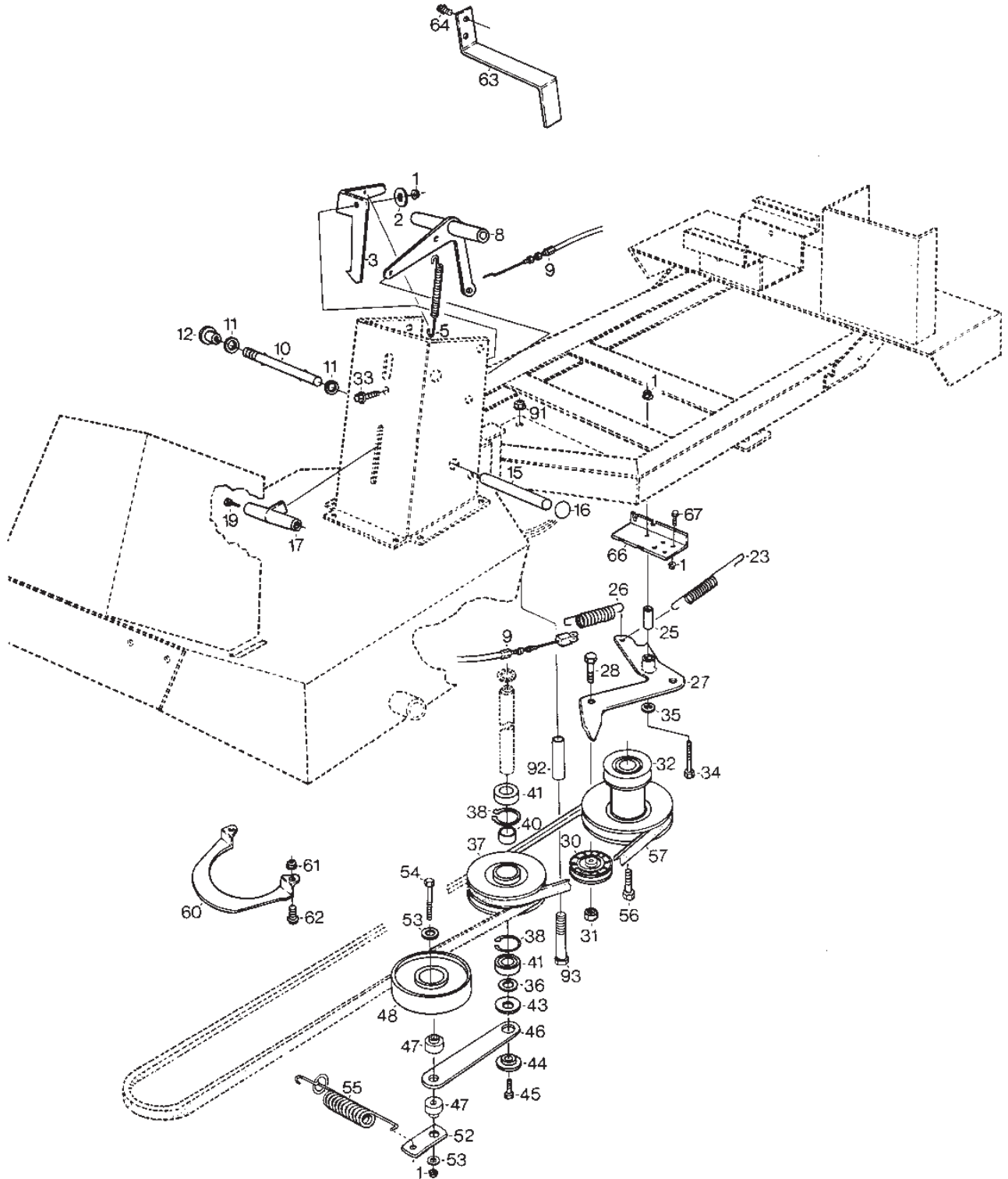
STIGA
914A
SPARE PARTS

Utgåva Issue 46 - 2014		Motor (Med Katalysator) Broms		Engine (W. Catalytic Conv.) Brake	
Pos. Fig.	Antal Quantity	Art nr Part No	Benämning	Description	Anmärkning Notes
1	1	1134-2878-01	Fläktskydd	Fan Cover	
2	4	9997-0512-16	Skruv	Screw	
3	4	9699-0099-02	Bricka	Washer	
4	1	1134-3355-01	Oljeavtappningsrör Kpl.	Oil Drain Pipe	
5	1	1134-0997-01	Packning	Gasket	
6	1	1134-0995-01	Plugg	Plug	
7	1	9404-0020-00	O-Ring 11,3 X 2,4	O-ring	
8	1	9997-0840-16	Skruv	Screw	L = 40 mm
9	2	9997-0840-16	Skruv	Screw	L = 40 mm
10	1	9997-0870-16	Skruv	Screw	L = 70 mm
11	1	1134-0041-02	Bussning	Bushing	
12	4	9739-0831-22	Mutter	Nut	
13	1	1134-3857-01	Avgasrör Kpl.	Exhaust Pipe	
15	1	1134-3864-01	Ljuddämpare, Cat	Muffler Catalytic Conv.	
16	1	9959-0816-16	Skruv	Screw	
17	1	9739-0831-22	Mutter	Nut	
18	1	9578-0011-00	Klämma F Ljuddämp D35 Rid	Clamp	
19	1	9600-0250-00	Kil	Key	
20	1	9579-0003-00	Buntband	Cable Holder	
21	1	1134-3868-01	Beröringsskydd Kpl.	Heat Guard	
22	2	9959-0820-16	Skruv	Screw	
23	2	9739-0831-22	Mutter	Nut	
27	1	9747-0631-02	Mutter Lasmutter	Nut	
28	1	1134-3377-01	Reglagestang	Control Rod	
29	1	9675-0008-02	Starlockbricka	Starlock	
30	1	1134-1889-01	Skruvögla	Eye Bolt	
31	1	1134-1023-00	Fjäder	Brake Spring	
32	2	1134-3456-01	Bussning	Bushing	
33	1	9747-0631-02	Mutter Lasmutter	Nut	
41	1	1134-3593-01	Bränsletank	Fuel Tank	
42	1	1134-2877-02	Tanklock	Fuel Tank Cap	
43	2	1134-2941-01	Kantskyddslist S	Protection Strip	
44	1	1134-3895-01	Dragstang	Pull Rod	
45	1	1134-3259-01	Vingmutter	Wing Nut	
46	1	1134-3224-01	Bensinkran	Fuel Shut-Off Valve	
47	1	1134-3225-01	Gummibussning Gummibussning	Grommet	
48	1	1134-2975-04	Bränsleslang	Fuel Line	L = 710 mm
49	2	9578-0023-02	Slangklämma D12*8 (Svart) Rörklammer	Hose Clamp Tube Clamp	
58	1	1134-3450-02	Pedal Smst Vä	Pedal	Vä sida/L.H. side
59	1	1134-9024-01	Lager (4 St)	Bearing	Sats 4 st/kit of 4
61	1	1134-3974-01	Fjäder	Spring	
62	1	1134-3584-01	Wire	Wire	
63	1	1134-3387-01	Fäste 24	Attachment	
64	1	9959-0816-16	Skruv	Screw	
65	1	9739-0831-22	Mutter	Nut	
66	1	1134-1184-02	Stag F Parkeringsbroms	Stay	
67	1	1134-2151-02	Spärr	Stop	
68	1	1131-1497-01	Fjäder	Brake Spring	

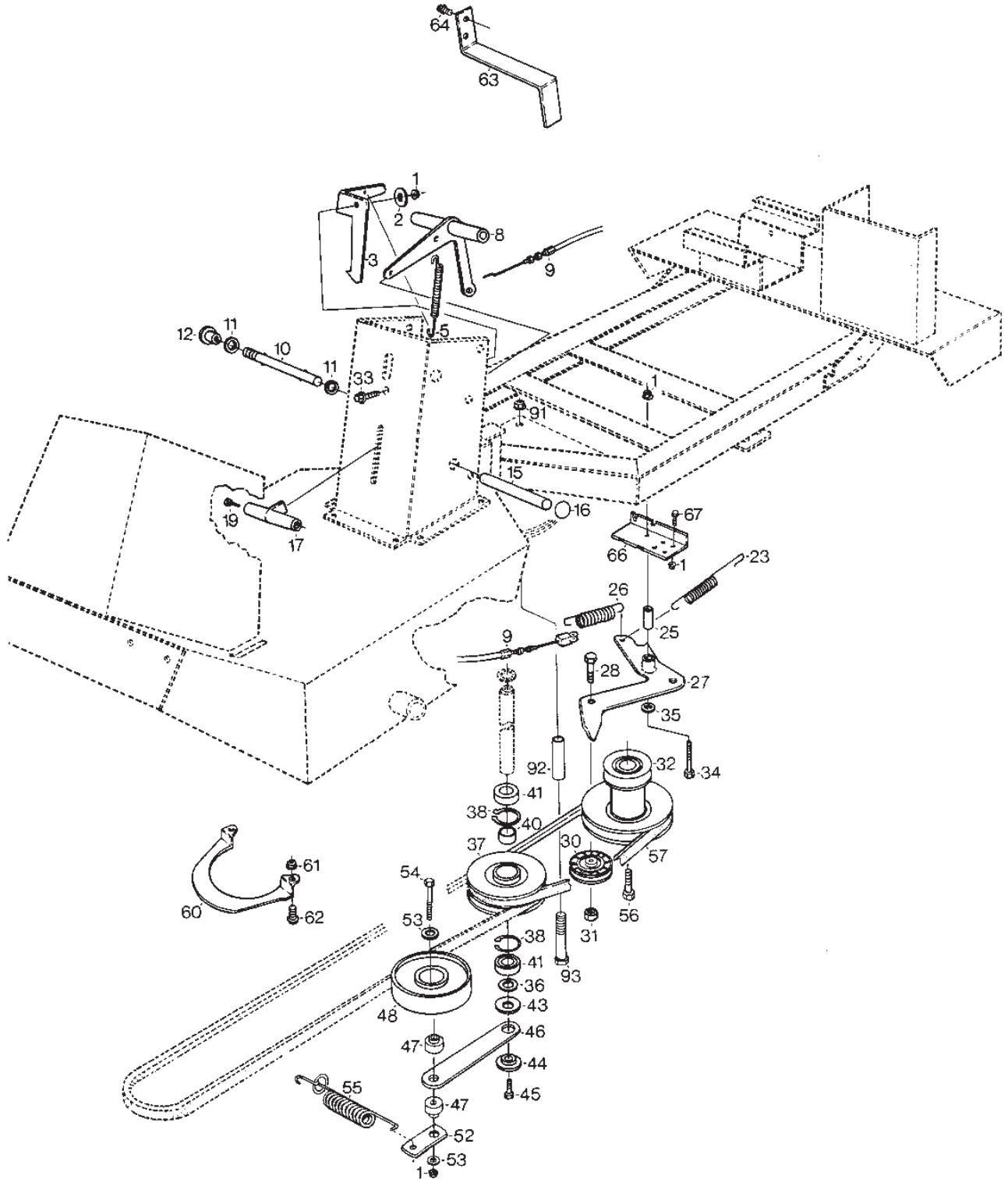


STIGA
914A
SPARE PARTS

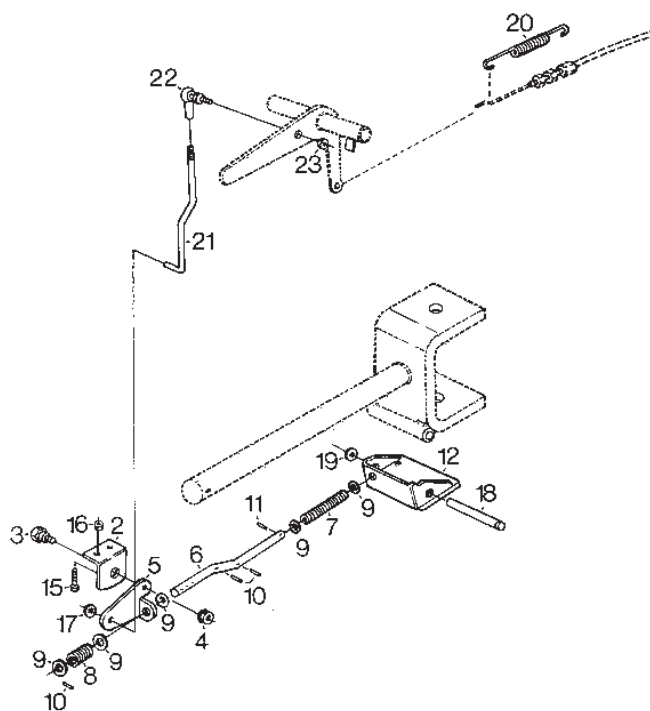
Utgåva Issue 46 - 2014		Motor (Med Katalysator) Broms		Engine (W. Catalytic Conv.) Brake	
Pos. Fig.	Antal Quantity	Art nr Part No	Benämning	Description	Anmärkning Notes
69	1	1134-0245-00	Skruv	Screw	
70	1	9739-0831-22	Mutter	Nut	
78	1	1134-1975-12	Gasreglage	Throttle Cable	
79	1	9403-0035-10	Knopp	Knob	
80	2	9849-8013-16	Skruv	Screw	
81	1	1134-2872-01	Chokereglage Kpl.	Choke Control	
82	1	9699-0028-02	Bricka	Washer	8.4 x 16 x 1.5 mm
83	1	9699-0062-02	Bricka	Washer	8.4 x 22 x 1.5 mm
90	1	1134-3863-01	Puls-Airventil	Air Valve	
91	1	1134-3856-01	Slang	Hose	
92	1	1134-3855-01	Filter	Filter	
93	1	1134-3889-01	Tätning	Seal	
94	1	1134-3860-01	Fäste	Bracket	
96	1	9959-0816-16	Skruv	Screw	
97	1	9739-0831-22	Mutter	Nut	
98	1	9578-0023-03	Slangklämma D27*8 (Svart)	Hose Clamp	



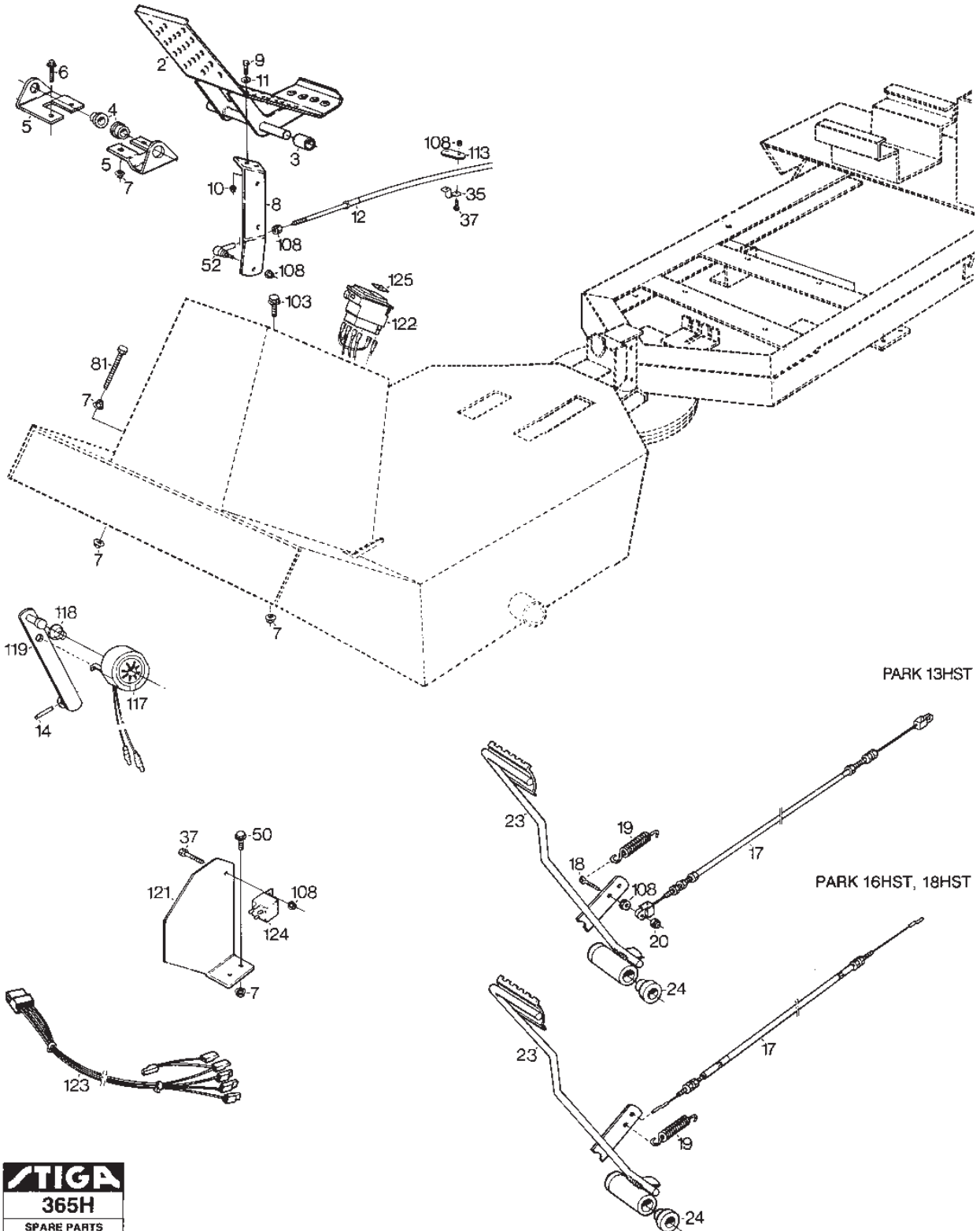
Utgåva Issue 46 - 2014		Kraftuttag Power Take-Off			
Pos. Fig.	Antal Quantity	Art nr Part No	Benämning	Description	Anmärkning Notes
1	3	9739-0831-22	Mutter	Nut	
2	1	1134-0143-00	Bricka	Washer	
3	1	1134-2453-01	Lashake	Locking Pawl	
5	1	1131-1497-01	Fjäder	Brake Spring	
8	1	1134-1396-02	Spak	Lever	1442,1443,1446
8	1	1134-0027-01	Reglagespak	Control Lever	
9	1	1134-3573-01	Wire (Kraft)	Cable	
10	1	1134-1972-01	Urkopplingsspak	Disengaging Lever	
11	2	9699-0025-02	Bricka	Washer	
12	1	1134-0583-00	Knopp	Knob	
15	1	1134-0022-00	Reglagestang	Control Rod	
16	2	9672-0004-02	Starlock	Starlock	
17	1	1134-0153-00	T-Handtag	Handle Gear Shifter	
19	1	9847-8016-16	Skruv	Screw	
23	1	1131-1506-00	Fjäder	Spring	
23	1	1134-3974-01	Fjäder	Spring	
25	1	1134-1565-01	Distans	Spacer	
26	1	1134-1242-02	Fjäder	Spring	
27	1	1134-2018-01	Spännarm Kpl	Tensioning Arm	
28	1	9997-1030-16	Skruv	Screw	
30	1	1134-9027-01	Spännrulle (Svart)	Tension Roller (Black)	
31	1	9799-1031-02	Mutter	Nut	
32	1	9997-1450-16	Skruv	Screw	Tillbehör/accessory
32	1	1134-3394-01	Motorremskiva	Engine Belt Pulley	
33	1	9959-0820-16	Skruv	Screw	
34	1	9997-0850-16	Skruv	Screw	
35	1	9699-0056-02	Bricka	Washer	
36	1	1134-0052-00	Distans	Spacer	
37	1	1134-1769-02	Remskiva	Belt Pulley	
38	2	9651-0040-04	Sparring Sgh 40	Circlip	
40	1	1134-0051-09	Distans	Spacer	
41	2	9549-0019-00	Kullager	Ball Bearing	
43	1	9699-0109-02	Bricka	Washer	
44	1	1134-0222-00	Bricka	Washer	
45	1	9959-1025-16	Skruv	Screw	
46	1	1134-1730-01	Spännhjulsarm	Tensioning Wheel Arm	
47	2	1134-1888-01	Distans	Spacer	
48	1	1134-1770-01	Spännhjul Kpl	Tension Roller	
52	1	1134-1893-01	Fjäder	Spring	
53	2	9699-0062-02	Bricka	Washer	
54	1	9997-0865-12	Skruv	Screw	
55	1	1134-1322-01	Fjäder	Tensioning Wheel Spring	
56	1	9987-5338-12	Skruv	Screw	
57	1	1134-9012-01	Kilrem	V-Belt	= 9585-0056-00
60	1	1134-3654-01	Fingerskydd 5-01 24	Guard	
61	2	9739-0631-22	Mutter	Nut	
62	2	9959-0612-16	Skruv	Screw	
63	1	1134-2381-01	Remstyrning	Belt Guide	
64	2	9942-0816-16	Skruv	Screw	



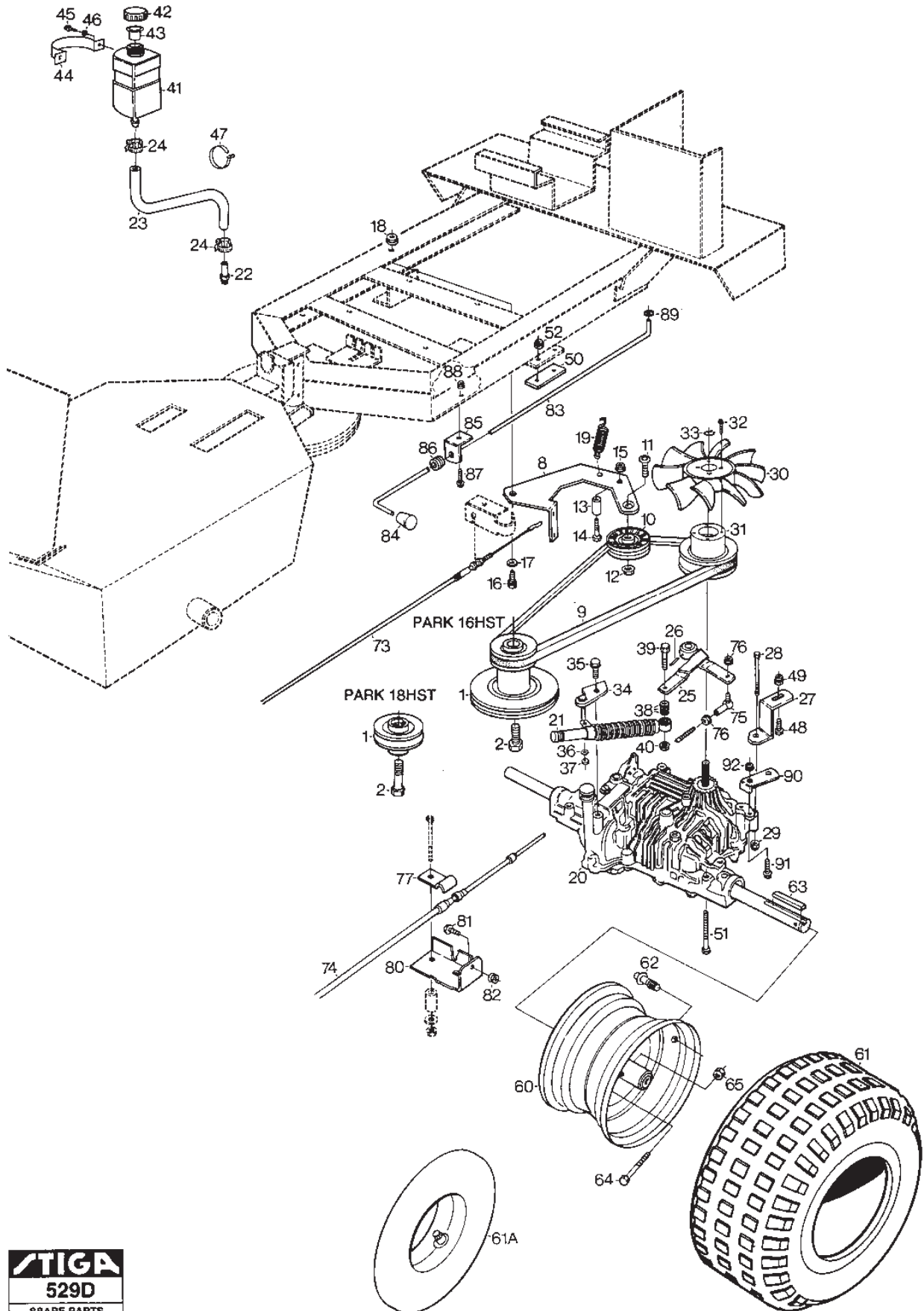
Utgåva Issue 46 - 2014		Kraftuttag Power Take-Off			
Pos. Fig.	Antal Quantity	Art nr Part No	Benämning	Description	Anmärkning Notes
64	2	9945-0816-16	Skruv	Screw	
91	1	9739-1031-22	Mutter	Nut	
92	1	1134-0041-03	Bussning	Bushing	
93	1	9997-1070-12	Skruv	Screw	



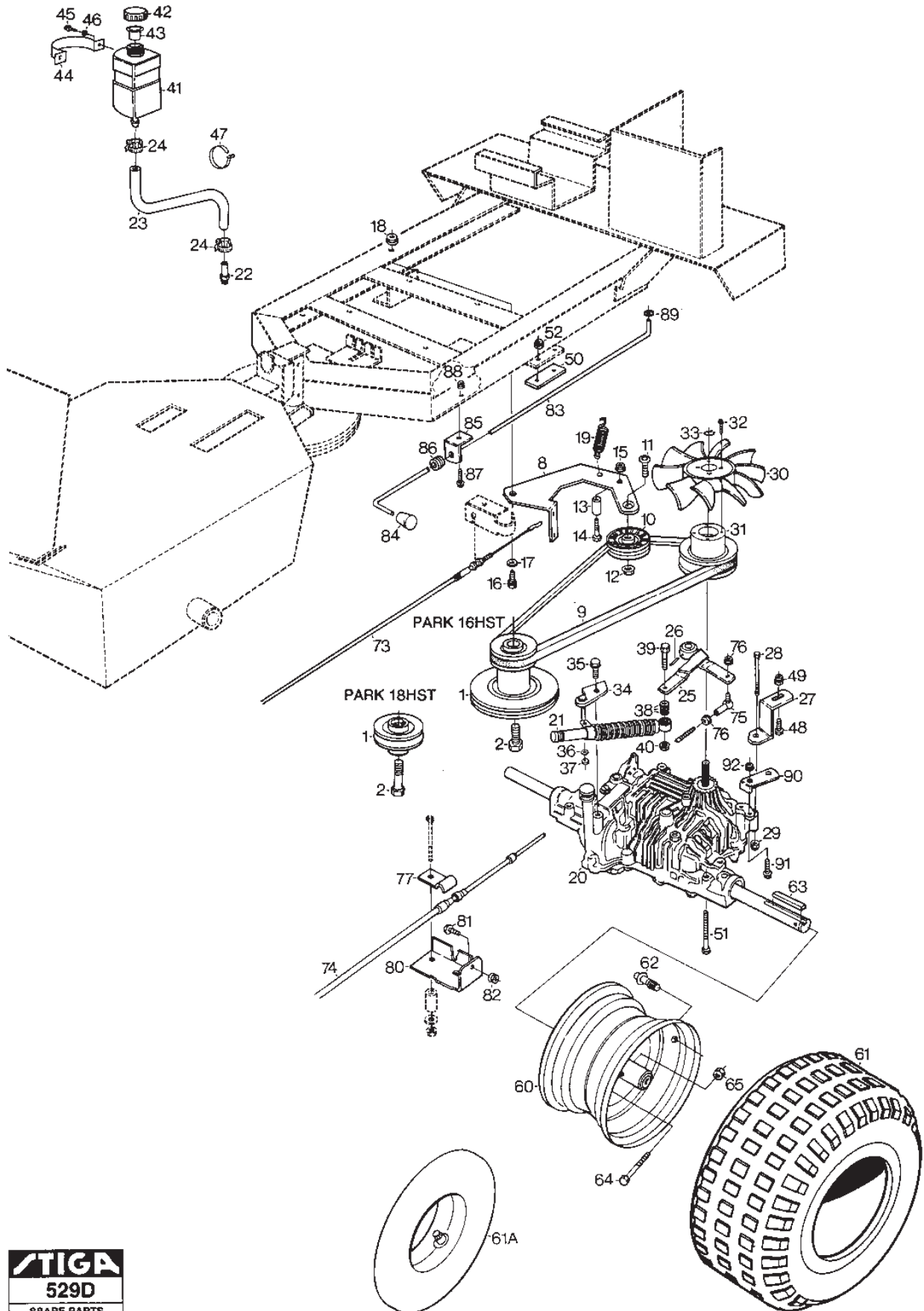
Utgåva Issue 46 - 2014		Kraftuttagsbroms		Pto-Brake	
Pos. Fig.	Antal Quantity	Art nr Part No	Benämning	Description	Anmärkning Notes
2	1	1134-2518-01	Konsol	Console	
3	1	1134-0245-00	Skruv	Screw	
4	1	9747-0831-02	Mutter Lasmutter	Nut	
5	1	1134-2522-01	Pivotplatta	Plate	
6	1	1134-2520-02	Stag	Stay	
7	1	1134-2663-01	Fjäder	Spring	
8	1	1134-2529-01	Fjäder	Spring	
9	5	9699-0025-02	Bricka	Washer	
10	3	9595-0110-00	Spiralspnst Prym N 2*10	Locating Pin	
11	1	9595-0153-00	Spiralspännstift N3*12	Locating Pin	
12	1	1134-2524-01	Broms	Brake	
15	2	9959-0612-16	Skruv	Screw	
16	2	9739-0631-22	Mutter	Nut	
17	1	9675-0009-02	Starlockbricka	Starlock	
18	1	1134-2521-01	Axel	Shaft	
19	2	9675-0009-02	Starlockbricka	Starlock	
20	1	1134-3633-01	Fjäder	Spring	
21	1	1134-2519-03	Stag	Stay	
22	1	9570-0004-00	Vinkellänk As 10 Din71802M6	Elbow Link	
23	1	9799-0631-02	Mutter	Nut	



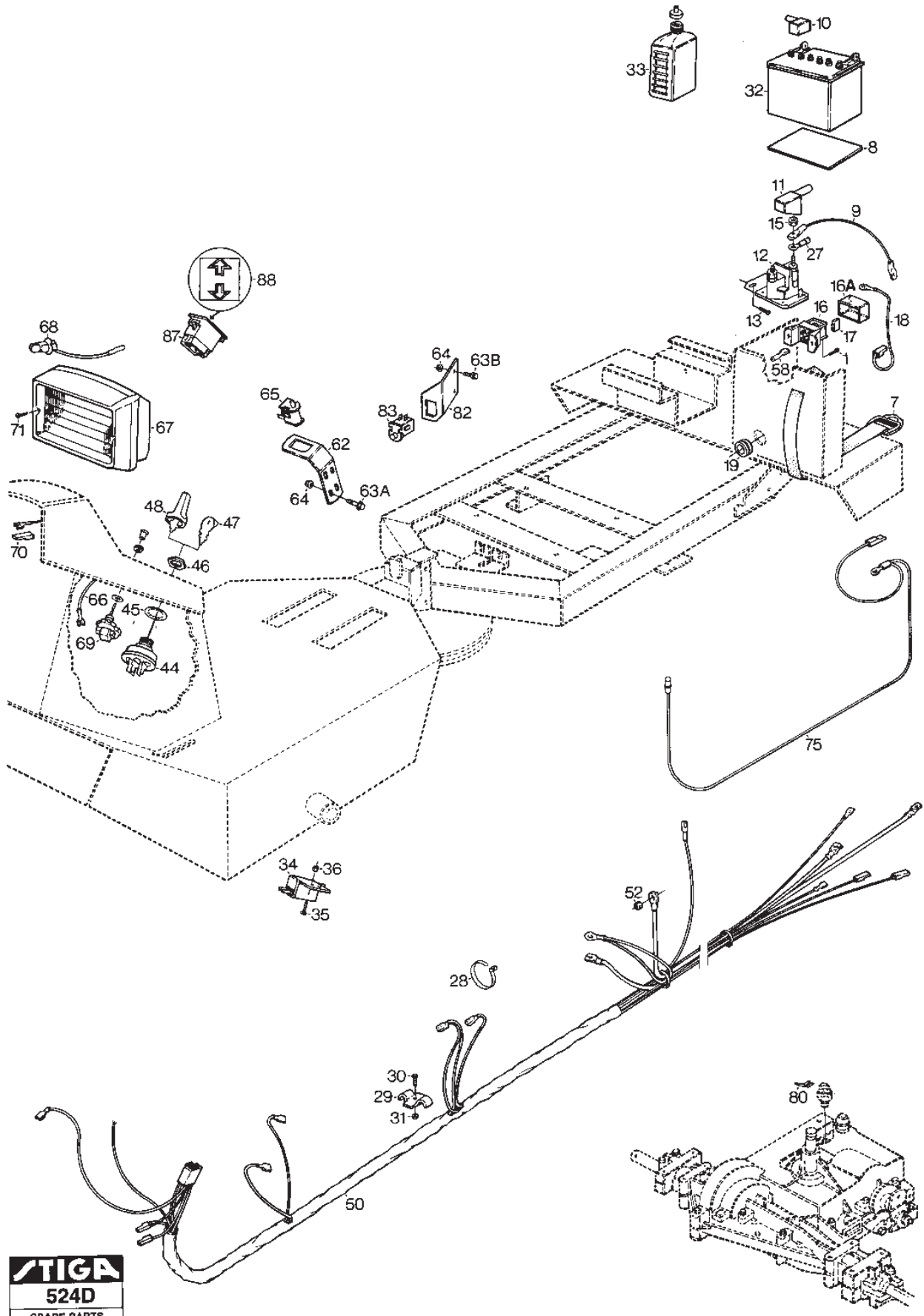
Utgåva Issue 46 - 2014		Farthållare Drivpedal		Cruise Control Drive Pedal	
Pos. Fig.	Antal Quantity	Art nr Part No	Benämning	Description	Anmärkning Notes
2	1	1134-3706-01	Pedal	Pedal	
3	1	1134-2849-01	Slang	Rubber Hose (30 Mm)	L = 30 mm
4	2	1134-2780-01	Lager	Bearing	
5	2	1134-2700-01	Fäste	Bracket	
6	2	9959-0820-16	Skruv	Screw	
7	7	9739-0831-22	Mutter	Nut	
8	1	1134-3704-01	Konsol 5-01 24	1134-3997-01+1134-4010-01	
9	2	9997-0520-16	Skruv	Screw	
10	2	9739-0531-22	Mutter	Nut	
11	2	9699-0087-02	Bricka	Washer	
12	1	1134-2766-02	Fartreglagewire	Speed Control Wire	
14	1	9595-0235-00	Spännstift	Pin	
17	1	1134-3584-01	Wire	Wire	
19	1	1131-1506-00	Fjäder	Spring	
19	1	1134-3974-01	Fjäder	Spring	
23	1	1134-3450-02	Pedal Smst Vä	Pedal	
24	1	1134-9024-01	Lager (4 St)	Bearing	Sats 4 st/kit of 4
35	1	1134-0266-00	Plat Fästbygel	Plate Attaching Clamp	
37	3	9997-0520-16	Skruv	Screw	
50	2	9959-0816-16	Skruv	Screw	
52	1	9570-0001-00	Vinkellänk As8 Din 71802M5 Länk	Elbow Link Joint	
81	1	9997-0870-16	Skruv	Screw	
103	1	9959-0816-16	Skruv	Screw	
108	5	9739-0531-22	Mutter	Nut	
113	1	1134-0267-00	Plat Underläggsbleck	Plate Clamp Plate	
117	1	1134-2859-01	Magnet	Magneto	
118	1	1134-2858-01	Fjäder	Spring	
119	1	1134-2862-01	Arm Kpl.	Lever	
121	1	1134-2866-02	Plat	Plate	
122	1	1134-2857-01	Brytare	Switch	Farthåll/cruise contr
123	1	1134-3640-01	Kabelhärva	Harness	
124	1	1134-2871-01	Relä Relä	Relay	
125	1	1134-2902-01	Symbolplatta (Grön)	Symbol Plate-Cruise Contr	



Utgåva Issue 46 - 2014		Transmission		Transmission	
Pos. Fig.	Antal Quantity	Art nr Part No	Benämning	Description	Anmärkning Notes
1	1	1134-3394-01	Motorremskiva	Engine Belt Pulley	
2	1	9987-5338-12	Skruv	Screw	L = 38 mm
8	1	1134-3583-01	Spännarm	Tension Arm	
9	1	1134-9037-01	Kilrem	V-Belt	= 9585-0084-00
10	1	1134-3459-01	Remskiva Spännrulle	Belt Pulley Tension Roller	
11	1	9924-1035-16	Skruv	Screw	
12	1	9799-1031-02	Mutter	Nut	
13	1	1134-3381-01	Distans	Spacer	
14	1	9997-0630-12	Skruv	Screw	
15	1	9739-0631-22	Mutter	Nut	
16	1	1134-0240-00	Skruv	Screw	
17	1	9665-0002-00	Bricka	Washer	
18	1	9739-0831-22	Mutter	Nut	
19	1	1134-3379-01	Fjäder	Spring	
20	1	1134-3365-01	Hydrostat Trans (K61)	Transaxle	Kanzaki K61E
21	1	1139-1001-01	Dämpare	Shock Absorber	
22	1	1134-3389-01	Slangnippel	Hose nipple	
22	1	1134-3836-01	Slangfäste	Tube Holder	
23	1	1134-2779-02	Slang	Tube	
24	2	9578-0021-00	Slangklämma	Hose clamp	
24	2	9578-0023-00	Slangklämma D14 (Lila)	Hose Clamp	
25	1	1134-3386-01	Ställarm Kpl.	Lever	
26	1	9595-0258-00	Spännstift	Locating Pin	
27	1	1134-3388-01	Svärd	Bar	
28	1	9997-0855-12	Skruv	Screw	
29	1	9747-0831-02	Mutter Lasmutter	Nut	
30	1	1134-3552-01	Fläkt	Fan	
31	1	1134-3451-01	Remskiva	Belt Pulley	
32	4	9959-0612-16	Skruv	Screw	
33	2	9650-0015-04	Lasring	CLock ring	
34	1	1134-3662-01	Hallare Kpl	Retainer	
35	1	9959-0816-16	Skruv	Screw	
36	1	9699-0028-02	Bricka	Washer	
37	1	9675-0012-02	Starlock	Locking washer	
38	3	9699-0028-02	Bricka	Washer	
39	1	9997-0835-12	Skruv	Screw	
40	1	9739-0831-22	Mutter	Nut	
41	1	1134-2765-02	Oljetank	Oil Tank	
42	1	1134-2777-02	Tanklock	Filler Cap	
43	1	1134-3734-01	Plugg (Service)	Vent Plug	
44	1	1134-2778-01	Fästband5-01	Band	
45	1	9842-0001-16	Skruv	Screw	
46	1	9699-0002-02	Bricka	Washer	
47	1	9579-0003-00	Buntband	Cable Holder	
48	1	9959-0820-16	Skruv	Screw	
49	1	9747-0831-02	Mutter Lasmutter	Nut	
50	2	1134-3376-01	Distansplat	Spacer Plate	
51	4	9997-0870-16	Skruv	Screw	
52	4	9747-0831-02	Mutter Lasmutter	Nut	



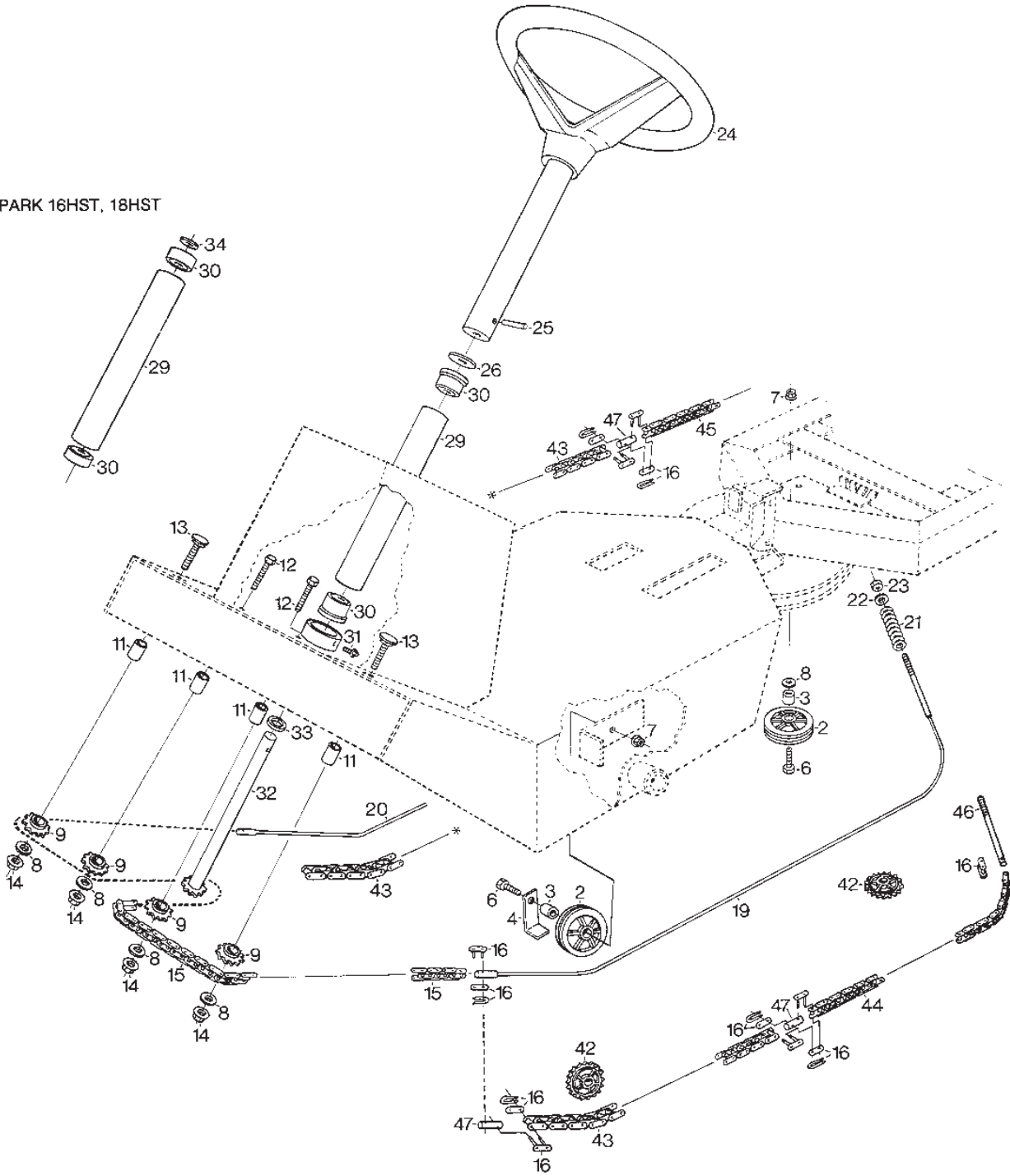
Utgåva Issue 46 - 2014		Transmission		Transmission	
Pos. Fig.	Antal Quantity	Art nr Part No	Benämning	Description	Anmärkning Notes
60	2	1134-3393-02	Fälg 7-13	Rim	
61	2	9545-0116-00	Däck	Tyre	16 x 7.50 - 8
62	2	9545-0500-00	Ventil	Valve Assy.	
63	2	1134-3383-01	Kil	Key	
64	2	9997-0845-12	Skruv	Screw	
65	2	9747-0831-02	Mutter Lasmutter	Nut	
73	1	1134-3584-01	Wire	Wire	
74	1	1134-2766-02	Fartreglagewire	Speed Control Wire	
75	1	9570-0001-00	Vinkellänk As8 Din 71802M5 Länk	Elbow Link Joint	
76	2	9739-0531-22	Mutter	Nut	
77	1	1134-2021-01	Växelwirefäste	Clamp	
80	1	1134-3395-01	Fäste 24 (5-01)	Attachment	
81	2	9959-0816-16	Skruv	Screw	
82	2	9739-0831-22	Mutter	Nut	
83	1	1134-3378-01	Reglagestang	Control Rod	
84	1	1134-2786-01	Knopp	Knob	
85	1	1134-2789-01	Fäste	Bracket	
86	1	1134-2790-01	Kabelgenomföring	Cable Protection	
87	1	9959-0816-16	Skruv	Screw	
88	1	9739-0831-22	Mutter	Nut	
89	1	9675-0012-02	Starlock	Locking washer	
90	1	1134-3375-01	Fäste	Attachment	
91	1	9997-0616-16	Skruv	Screw	
92	1	9739-0631-22	Mutter	Nut	



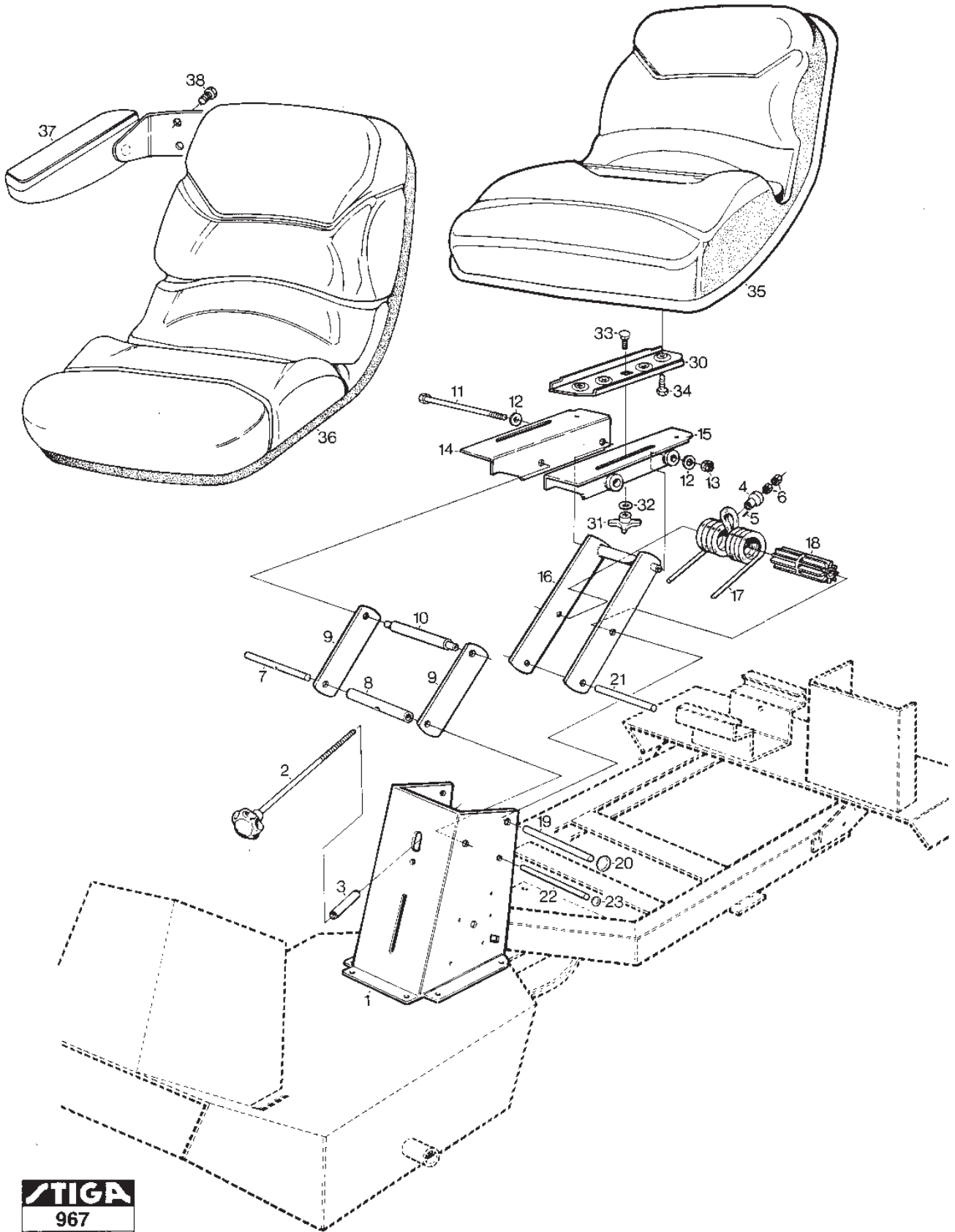
STIGA
524D
SPARE PARTS

Utgåva Issue 46 - 2014		Esystem	Electrical System		
Pos. Fig.	Antal Quantity	Art nr Part No	Benämning	Description	Anmärkning Notes
1	2	9849-8006-16	Skruv	Screw	
7	1	9400-0064-02	Batterihallare	Battery Holder	
8	1	1134-2333-02	Batteriunderlägg	Battery Pad	
9	1	1134-0234-01	Batterikabel (+)	Battery Cable (+)	
10	1	1134-2310-01	Batteriskydd	Guard Cap (+)	
11	1	1134-2948-01	Skyddshätta	Guard Cap	
12	1	1134-2962-01	Solenoid Kpl Service	Solenoid	Inkl pos 15
13	2	9849-8009-16	Skruv	Screw	
15	2	9794-5131-02	Mutter	Nut	
16	1	1134-3491-01	Säkringshallare	Fuse Carrier Fuse Holder	
16	1	1134-3631-01	Lock (5-01) Lock	Cover-Fuse Holder	
17	1	1134-3496-02	Säkring (25A)	Fuse (25A)	25A
19	1	1134-3203-05	Kabelgenomföring	Grommet	
28	10	9579-0003-00	Buntband	Cable Holder	
29	1	1134-2782-01	Lasbleck	Clamp	
30	1	9997-0520-16	Skruv	Screw	
31	1	9739-0531-22	Mutter	Nut	
32	1	1134-2892-01	Batteri	Battery	
33	1	1134-3300-01	Batterisyra	Battery Acid	2 x 0.85 liter
34	1	1134-3399-01	Brytare	Switch	
35	2	9997-0520-16	Skruv	Screw	
36	2	9747-0531-02	Mutter	Nut	
44	1	1134-1814-01	Tändningslas Kpl Service	Starter Switch Assy.	
45	1	1134-2853-01	Bricka	Washer	
46	1	1134-2852-01	Mutter	Nut	
47	1	1134-2848-01	Tändningsnyckel	Ignition Key	
48	1	1134-3368-01	Tändningsnyckel	Ignition Key	
50	1	1134-3644-01	Kabelhärva	Harness	1458
50	1	1134-3645-01	Kablage	Harness	1446
52	1	9795-3531-02	Mutter	Nut	
62	1	1134-3251-02	Fäste	Bracket	
63	2	9959-0616-16	Skruv	Screw	16 mm (1442,1446)
63	2	9959-0612-16	Skruv	Screw	12 mm
64	2	9739-0631-22	Mutter	Nut	
65	1	1134-3156-02	Brytare (gra)	Switch	
66	1	1134-3732-01	Kabel	Cable	
67	1	1134-1466-01	Stralkastare Kpl	Headlamp Assy.	
68	1	9400-0075-00	Glödlampa 12336H3 12	Glow Lamp	
69	1	9400-0063-00	Brytare	Switch	
70	2	1134-3733-01	Bussning	Bushing	
71	2	9847-7919-16	Skruv	Screw	
75	1	1134-3875-01	Kablage	Cable	
82	1	1134-3551-01	Brytarfäste	Attachment	1442,1443,1446
83	1	1134-3156-01	Brytare	Switch	1442,1443,1446

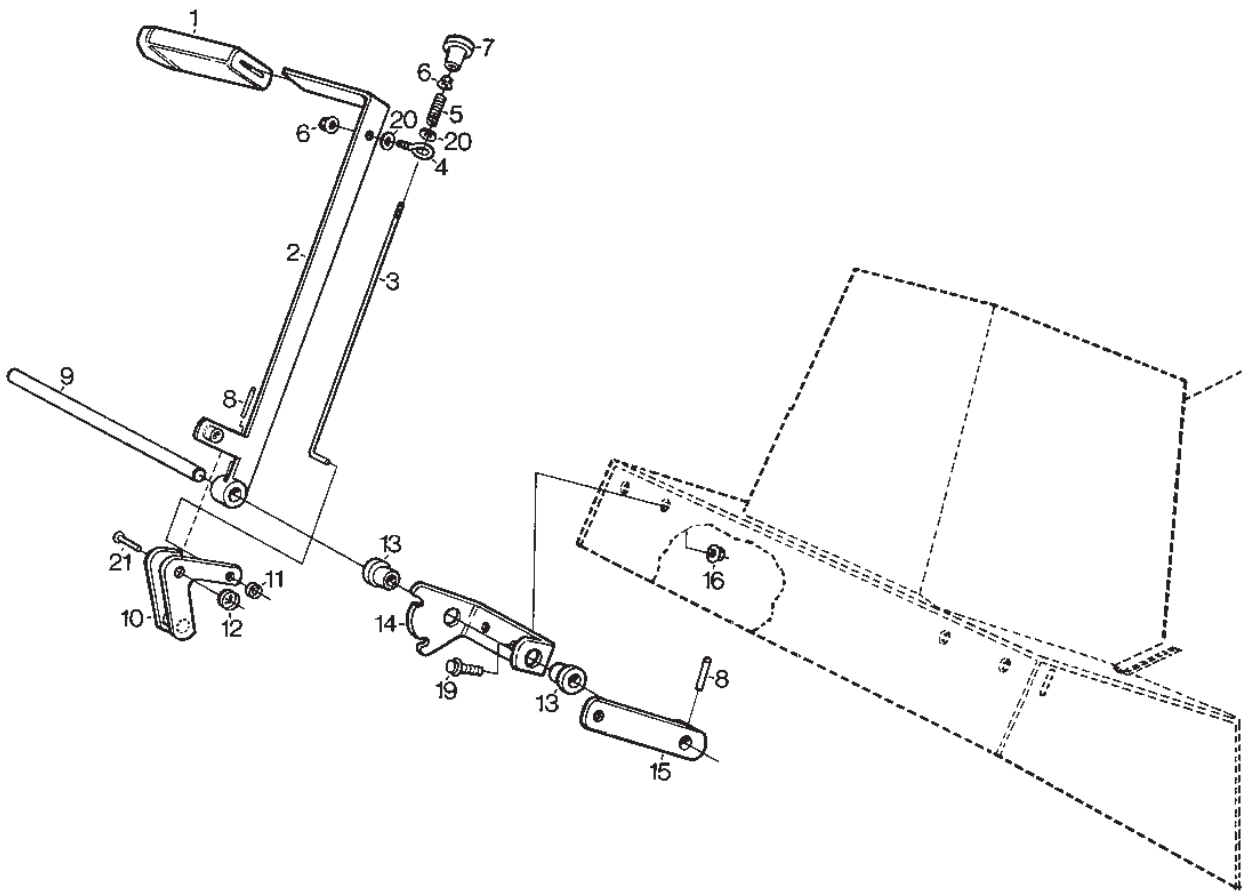
PARK 16HST, 18HST



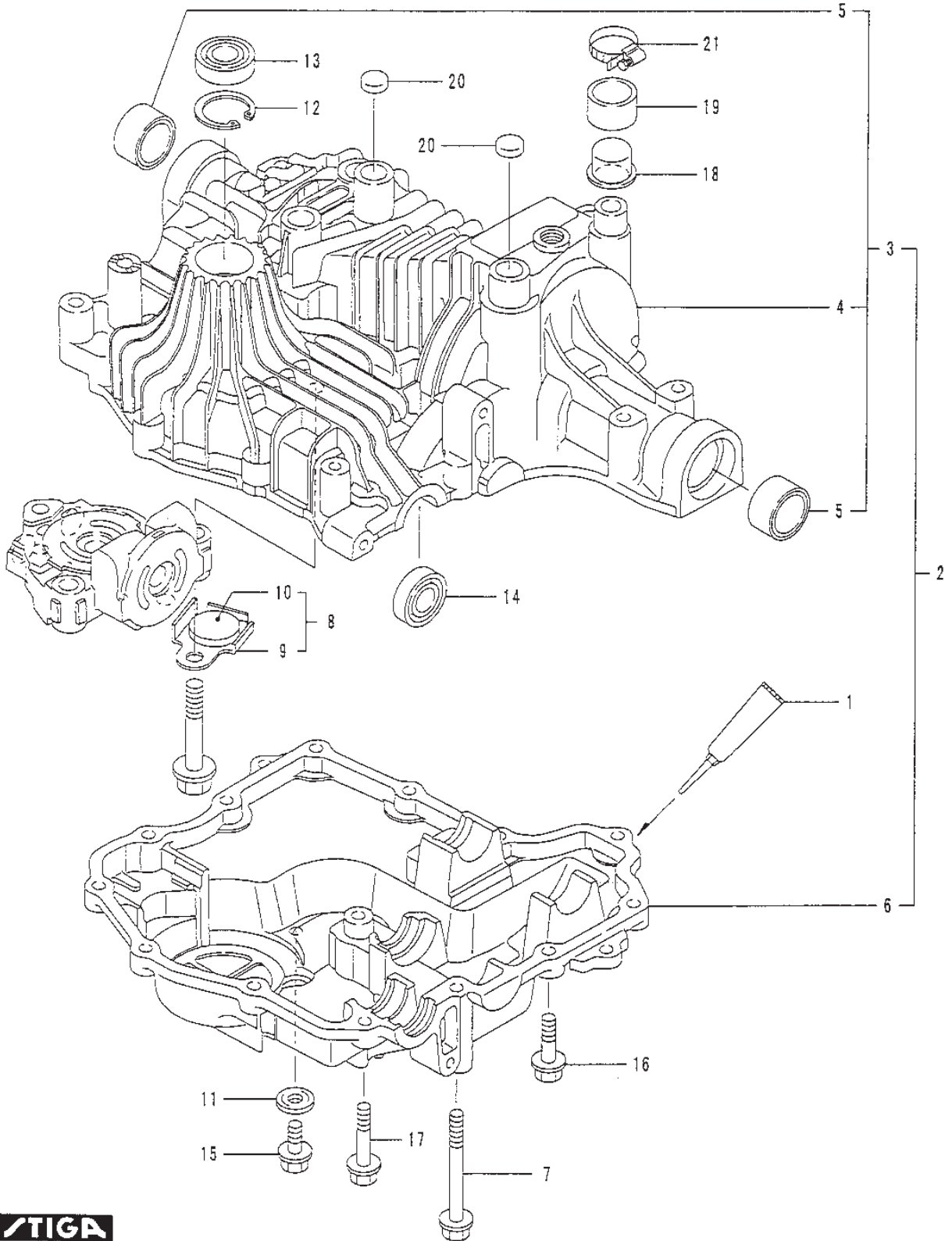
Utgåva Issue 46 - 2014		Styrning Steering			
Pos. Fig.	Antal Quantity	Art nr Part No	Benämning	Description	Anmärkning Notes
3	3	1134-0041-01	Bussning	Bushing	
4	2	1134-3022-01	Fäste	Bracket	
6	3	9997-1030-16	Skruv	Screw	
7	3	9739-1031-22	Mutter	Nut	
8	5	9699-0035-02	Bricka	Washer	
9	4	1134-2816-01	Kedjehjul	Sprocket	
11	4	1134-0041-02	Bussning	Bushing	
12	2	9997-1040-12	Skruv	Screw	
13	2	9897-1040-12	Skruv	Screw	
14	4	9739-1031-22	Mutter	Nut	
15	1	1134-2820-01	Kedja79 Länkar	Chain W/O Lock	79 länk/links
16	10	1134-2824-01	Kedjelas	Chain Lock	
21	2	1134-2818-01	Fjäder	Spring	
21	2	1134-3817-01	Fjäder	Spring	
22	2	9699-0090-02	Bricka	Washer	
23	2	9747-0831-02	Mutter Lasmutter	Nut	
24	1	1134-1966-03	Ratt	Steering Wheel	
25	1	9595-0262-00	Spännstift	Locating Pin Elastic Pin	
26	1	9699-0114-02	Bricka	Washer	1.0 mm
26	1	9699-0103-02	Bricka	Washer	0.5 mm
29	1	1134-3085-01	Rattrör Nedre	Steering Column,Lower	
30	2	9549-0017-00	Kullager	Ball Bearing	
31	2	9942-0612-16	Skruv	Screw	
32	1	1134-3084-01	Rattstang	Steering Rod	
33	1	1134-2837-02	Distans	Spacer	
34	1	9695-0011-00	Bricka	Washer	
42	3	1134-3547-01	Kedjehjul	Sprocket	
43	2	1134-2820-02	Kedja	Chain	41 länk/link
44	1	1134-2820-02	Kedja	Chain	41 länk/link
45	1	1134-2820-04	Kedja	Chain	45 länk/link
46	2	1134-3550-01	Ändnippel (L110)	End Nipple	
47	4	1134-3565-01	Skarvnippel	Connection Nipple	



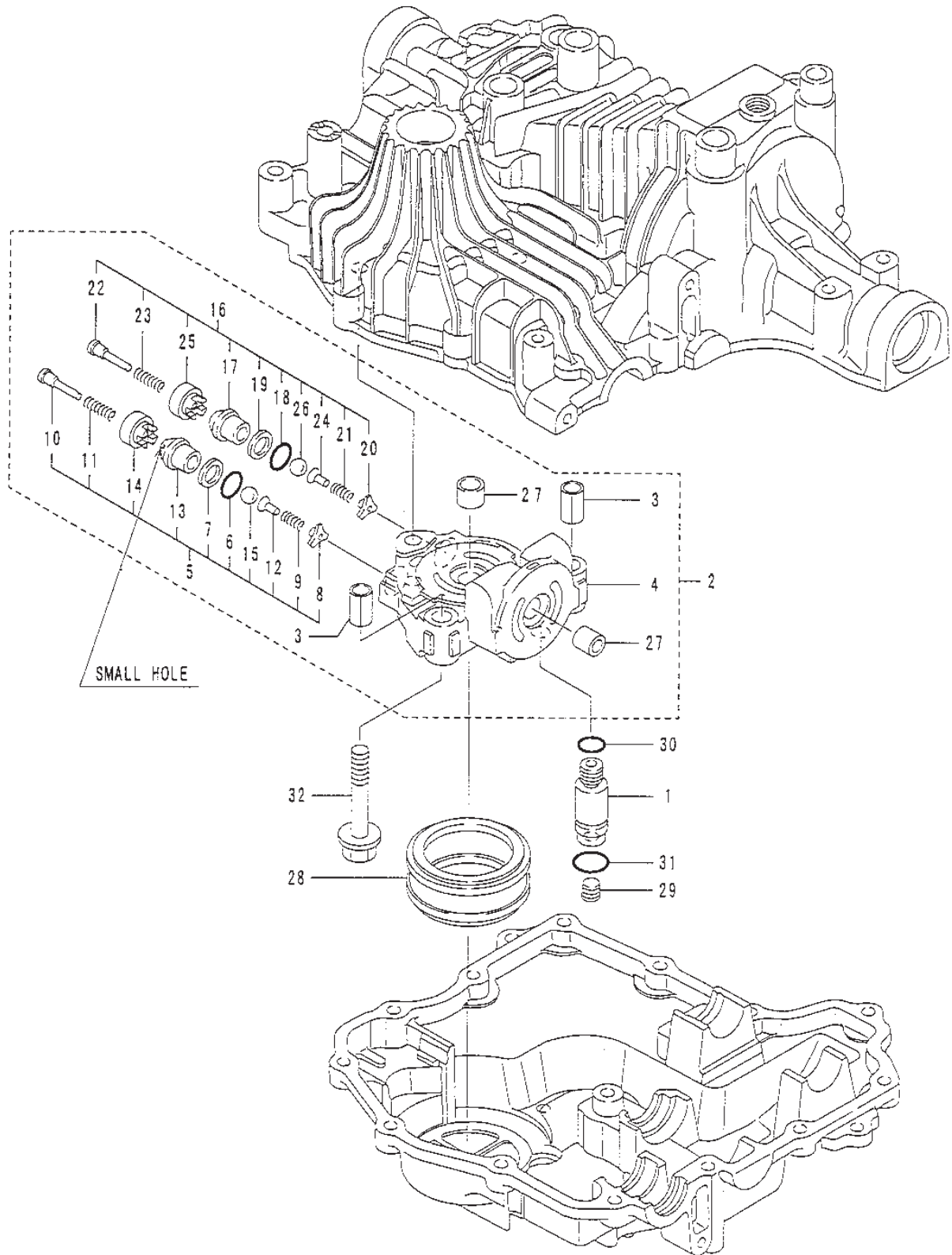
Utgåva Issue 46 - 2014		Sits	Seat		
Pos. Fig.	Antal Quantity	Art nr Part No	Benämning	Description	Anmärkning Notes
1	1	1134-3800-01	Sitskonsol 1-00 02	Seat Bracket-Yellow	
2	1	1134-2163-01	Spännstang Kpl.	Rod	
3	1	1134-2166-01	Distans	Spacer	
4	1	1134-0019-00	Mutter	Nut	
5	1	9595-0160-00	Spiralspnst Prym N3X16	Locating Pin	
6	2	9799-0831-02	Mutter	Nut	
7	1	1134-2847-01	Mellanstag	Shaft	
8	1	1134-2846-01	Rör	Tube	
9	2	1134-1650-01	Parallellstag	Tie Bar	
10	1	1134-3871-02	Ledaxel	Pivoting Tube	
11	2	9997-0816-02	Skruv	Screw	
12	4	9699-0062-02	Bricka	Washer	
13	2	9747-0831-02	Mutter I Lasmutter	Nut	
14	1	1134-3878-01	Sitsfäste Kpl 14	Seat Attachment-R.H.	
15	1	1134-3878-02	Sitsfäste Kpl 14	Seat Attachment-L.H.	
16	1	1134-3876-01	Fjäder	Spring	
17	1	1134-3879-01	Fjäder	Spring	
18	1	1134-1883-01	Axel	Axle	
19	1	1134-0022-00	Reglagestang	Control Rod	
20	2	9672-0004-02	Starlock	Starlock	
21	1	1134-0050-00	Sitsstang	Seat Rod	
22	1	1134-2454-01	Axel	Shaft	
23	2	9672-0006-02	Starlock	Lock washer	
30	2	1134-2961-01	Sitsadapter 5-01 24	Seat Adapter	
31	2	1134-1711-01	Knopp	Knob	
32	2	9699-0062-02	Bricka	Washer	
33	2	9898-0820-16	Skruv	Screw	
34	4	9988-3616-16	Skruv	Screw	
35	1	1134-2541-01	Sits Suburban	Seat	1258,1358,1443,1446
35	1	1134-2541-01	Sits Suburban	Seat	1258,1358,1443,1446
36	1	1134-3286-01	Sits (Super Suburb.Sa 6995)	Seat	1448,1458,1818



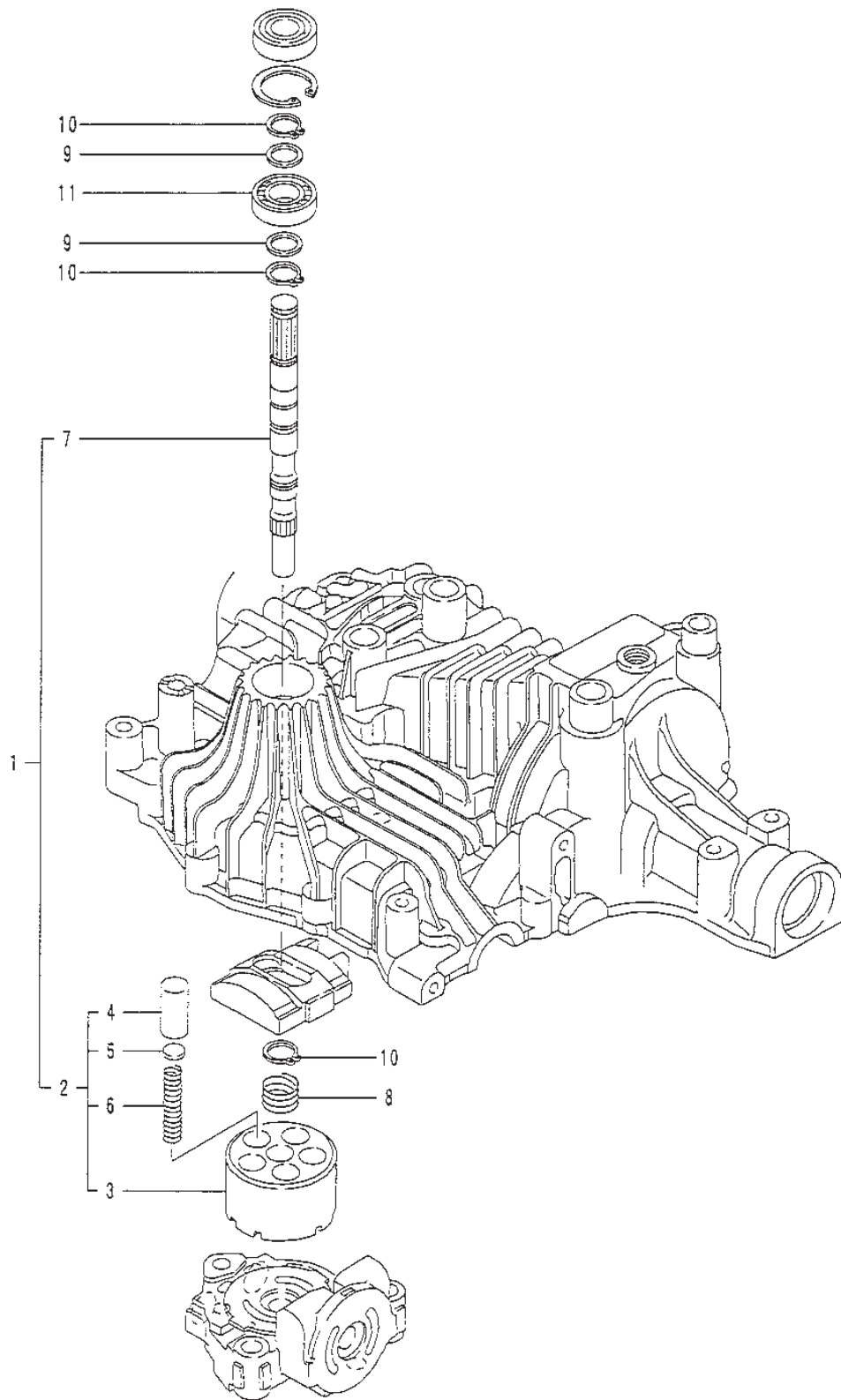
Utgåva Issue 46 - 2014		Manuell Redskapslyft		Manual Lifting Device	
Pos. Fig.	Antal Quantity	Art nr Part No	Benämning	Description	Anmärkning Notes
0	1	1134-0410-08	röds kapslyft Smstpark	Lifting Device Assy	
1	1	9403-0110-01	Höjdinst.Handtag Ej Kapad	Handle	
2	1	1134-0859-03	Svärd	Bar	
3	1	1134-0858-00	Tryckstang	Push Rod	
4	1	1134-1889-01	Skruvögla	Eye Bolt	
5	1	1111-0053-00	Fjäder	Spring	
6	2	9739-0631-22	Mutter	Nut	
7	1	1134-0583-00	Knopp	Knob	
8	2	9595-0258-00	Spännstift	Locating Pin	
9	1	1134-1884-01	Lyftaxel	Lifting Shaft	
10	1	1134-2911-01	Lashake	Locking Pawl	
11	1	9675-0008-02	Starlockbricka	Starlock	
12	1	9675-0012-02	Starlock	Locking washer	
13	2	1134-2684-01	Lager	Bearing	
14	1	1134-0536-00	Lyftsegment	Locking Plate	
15	1	1134-0857-00	Arm Kpl.	Arm	
16	2	9739-1031-22	Mutter	Nut	
19	2	9959-1020-16	Skruv	Screw	
20	2	9699-0025-02	Bricka	Washer	
21	1	9646-0099-22	Nit Kn 8X30	Rivet	



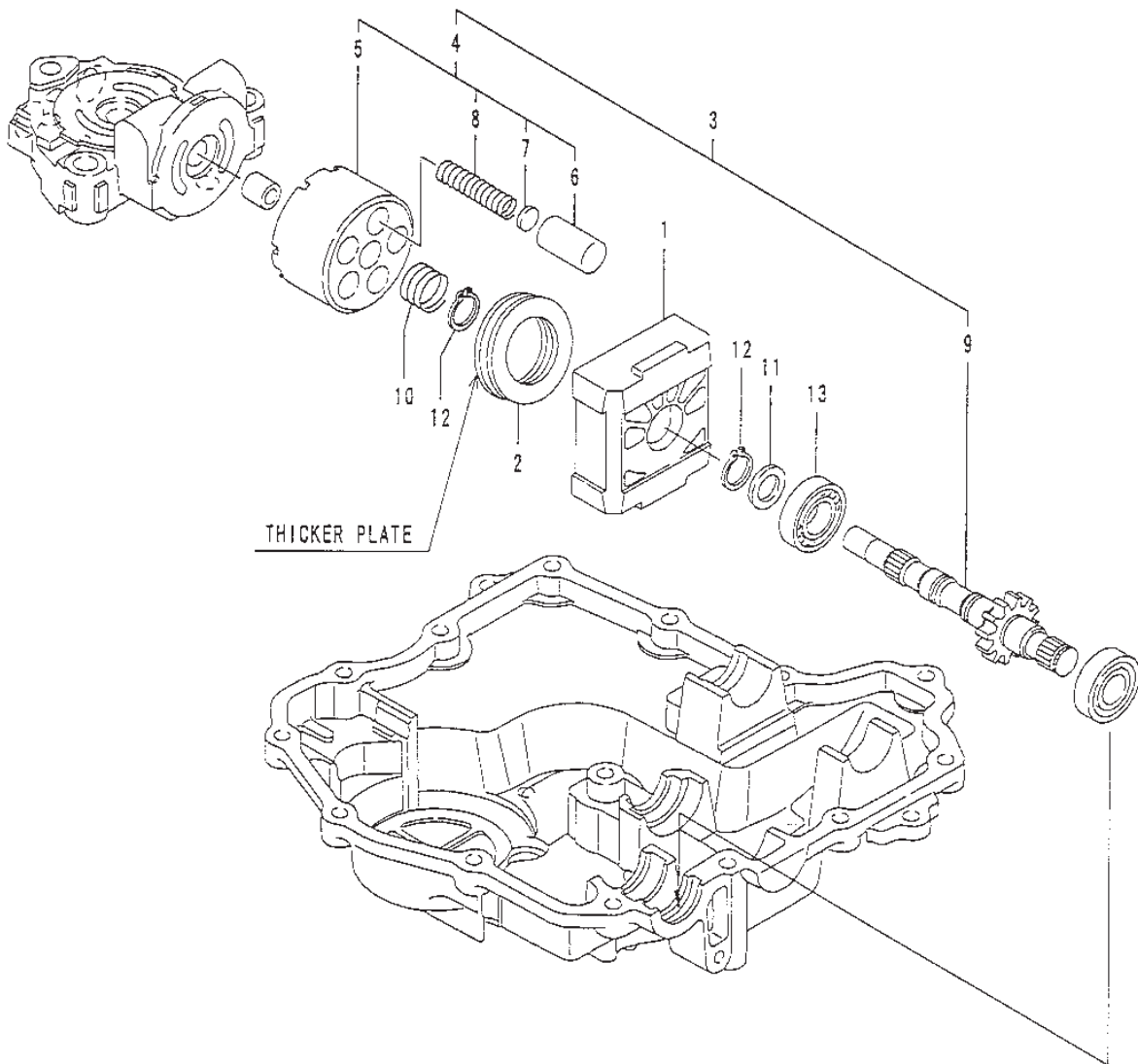
Utgåva Issue 46 - 2014		Kanzaki Transaxel K-61E Transmissionshus		Kanzaki Transaxle K-61E Transmission Case	
Pos. Fig.	Antal Quantity	Art nr Part No	Benämning	Description	Anmärkning Notes
1	1	1139-0223-01	Sealant	Sealant	
2	1	1139-1132-01	Transmissionshus Kpl	Transaxle Case Set	Inkl. pos 3-6
3	1	1139-1133-01	Övre Hus Kpl	Upper Case	Inkl. pos 4-5
6	1	1139-1134-01	Nedre Hus	Lower Case	
7	1	1139-1006-01	Bult	Bolt	
8	1	1139-1007-01	Magnet	Magnet	Inkl. pos 9-10
11	1	1139-1103-01	Bricka	Washer	
12	1	1139-1104-01	Lasring	Snap Ring	
13	1	1139-1119-01	Tätning	Seal 15*35*7	
14	1	1139-1120-01	Tätning	Seal 17*35*7	
15	1	1139-1123-01	Bult	Bolt	
16	11	1139-0244-01	Skruv	Screw	
17	2	1139-1126-01	Skruv	Screw	
18	1	1139-1131-01	Plugg	Plug (20)	
19	1	1139-1130-01	Hylsa	Collar (23X29X17)	
20	2	1139-1050-01	Plugg	Plug	
21	1	1139-1129-01	Slangklämma	Hose Clamp (28)	



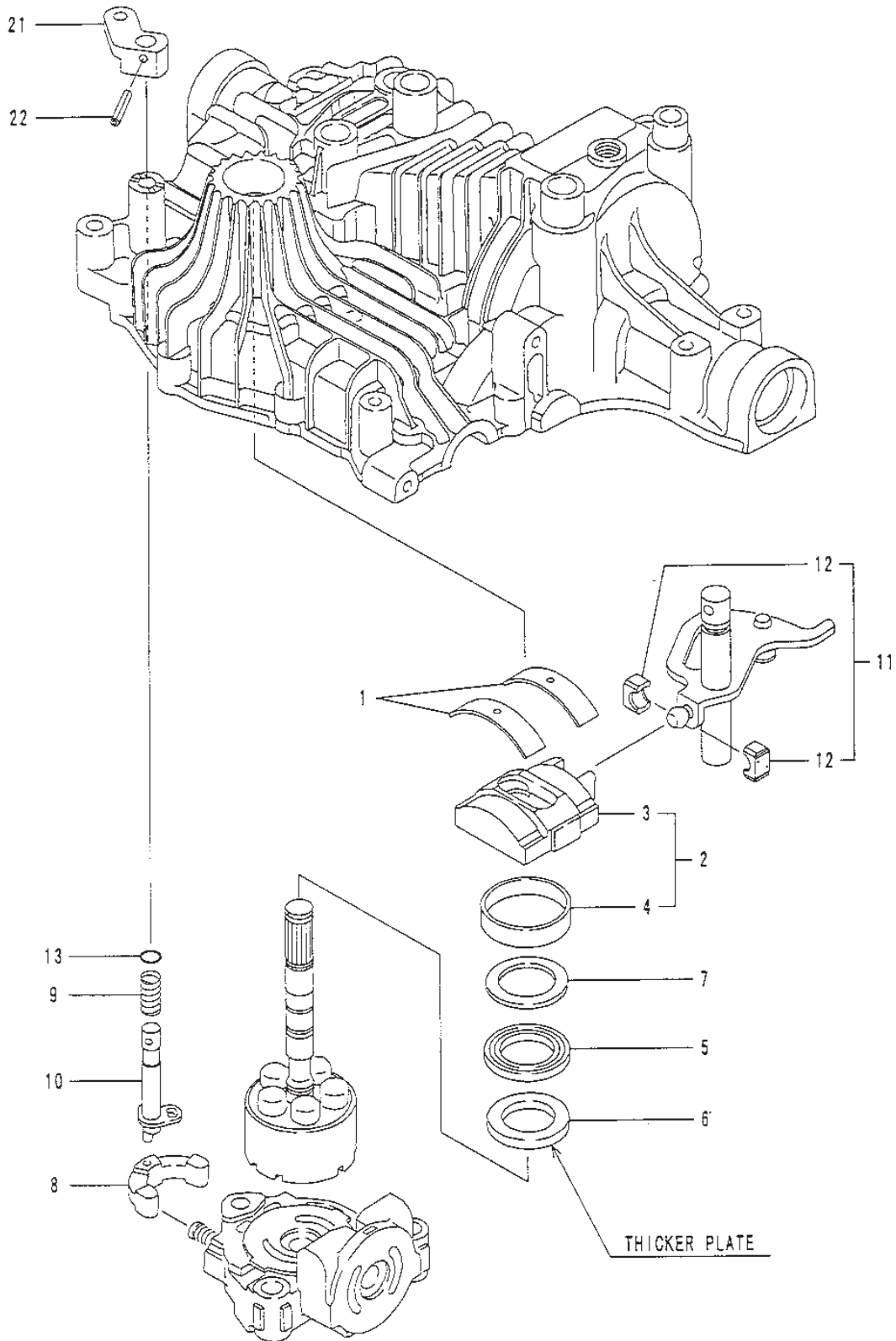
Utgåva Issue 46 - 2014		Kanzaki Transaxel K-61E Centrumhus		Kanzaki Transaxle K-61E Center Case	
Pos. Fig.	Antal Quantity	Art nr Part No	Benämning	Description	Anmärkning Notes
1	1	1139-1015-01	Anslutning	Connector	
2	1	1139-1009-02	Center case assy	Center case assy	Serie nr 5468 -
2	1	1139-1140-01	Service Sats	Service Kit	Serie nr 0001 -
2	1	1139-1009-01	Center case assy	Center case assy	Serie nr - 5468
3	2	1139-1008-01	Stift	Knock Pin	
5	1	1139-1011-01	Valve set	Valve set	Inkl. pos 6-15
6	1	1139-1013-01	O-Ring	O-Ring	
7	1	1139-1014-01	Ring	Back-Up Ring	
16	1	1139-1012-01	Valve set	Valve set	Inkl. pos. 17-26
18	1	1139-1013-01	O-Ring	O-Ring	
19	1	1139-1014-01	Ring	Back-Up Ring	
27	2	1139-1121-01	Bussning	Bushing	
28	1	1139-1016-01	Filter	Filter	
29	1	1139-1107-01	Plugg	Plug	
30	1	1139-1113-01	O-Ring	O-Ring	
31	1	1139-1115-01	O-Ring	O-Ring	
32	3	1139-1125-01	Bult	Bolt	



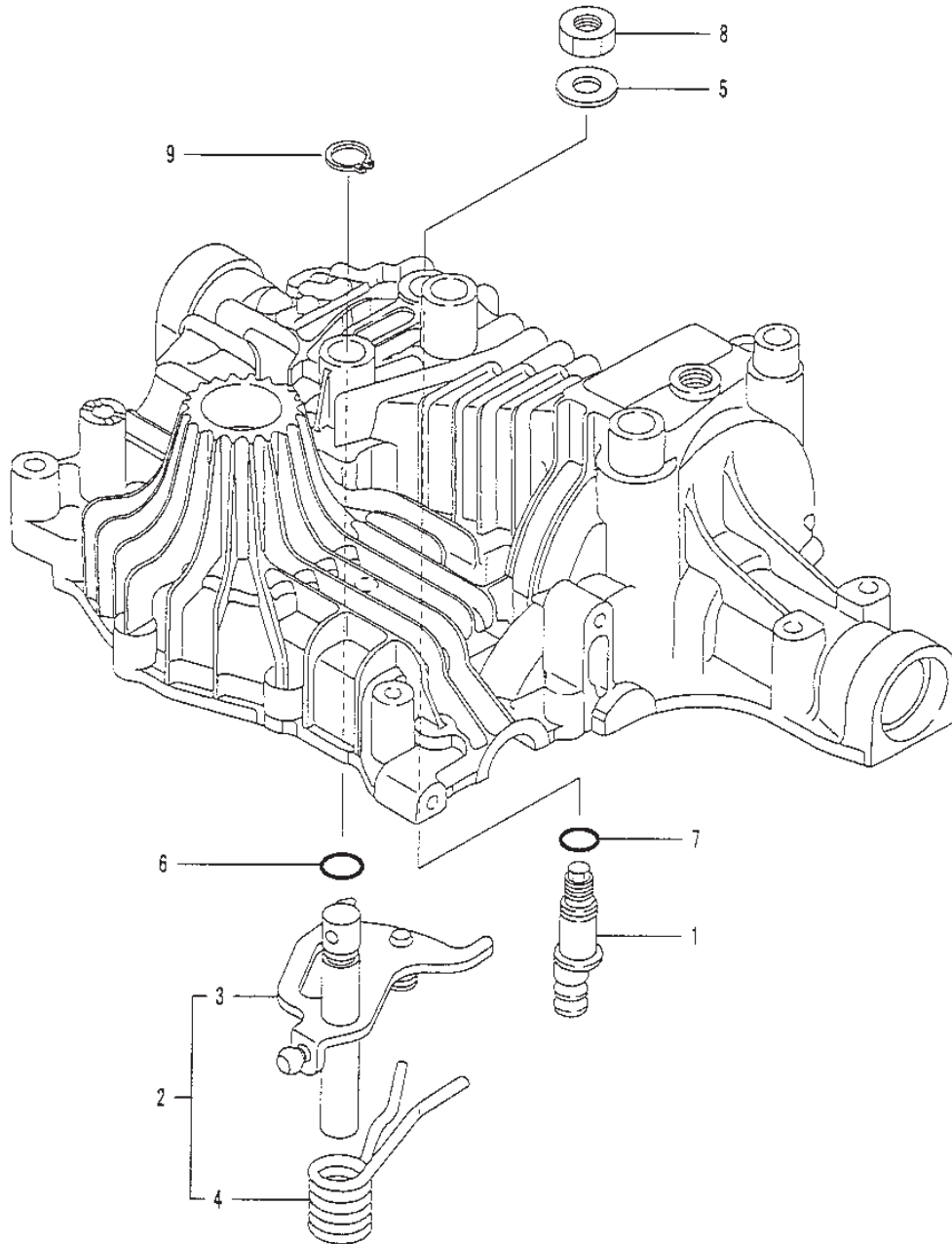
Utgåva Issue 46 - 2014		Kanzaki Transaxel K-61E Pumpaxel		Kanzaki Transaxle K-61E Pump Shaft	
Pos. Fig.	Antal Quantity	Art nr Part No	Benämning	Description	Anmärkning Notes
1	1	1139-1135-01	Pumpaxel Kpl	Pump Shaft Set	Inkl. pos. 2-7
2	1	1139-1139-01	Cylinderblock Kpl	Cylinder Block Assy	Inkl. pos 3-6
7	1	1139-1020-02	Pumpaxel	Pump Shaft	
8	1	1139-1018-01	Fjäder	Spring	
9	2	1139-1019-01	Bricka	Washer	
10	3	1139-1021-01	Lasring	Snap Ring	
11	1	1139-1110-01	Kullager	Ball Bearing	



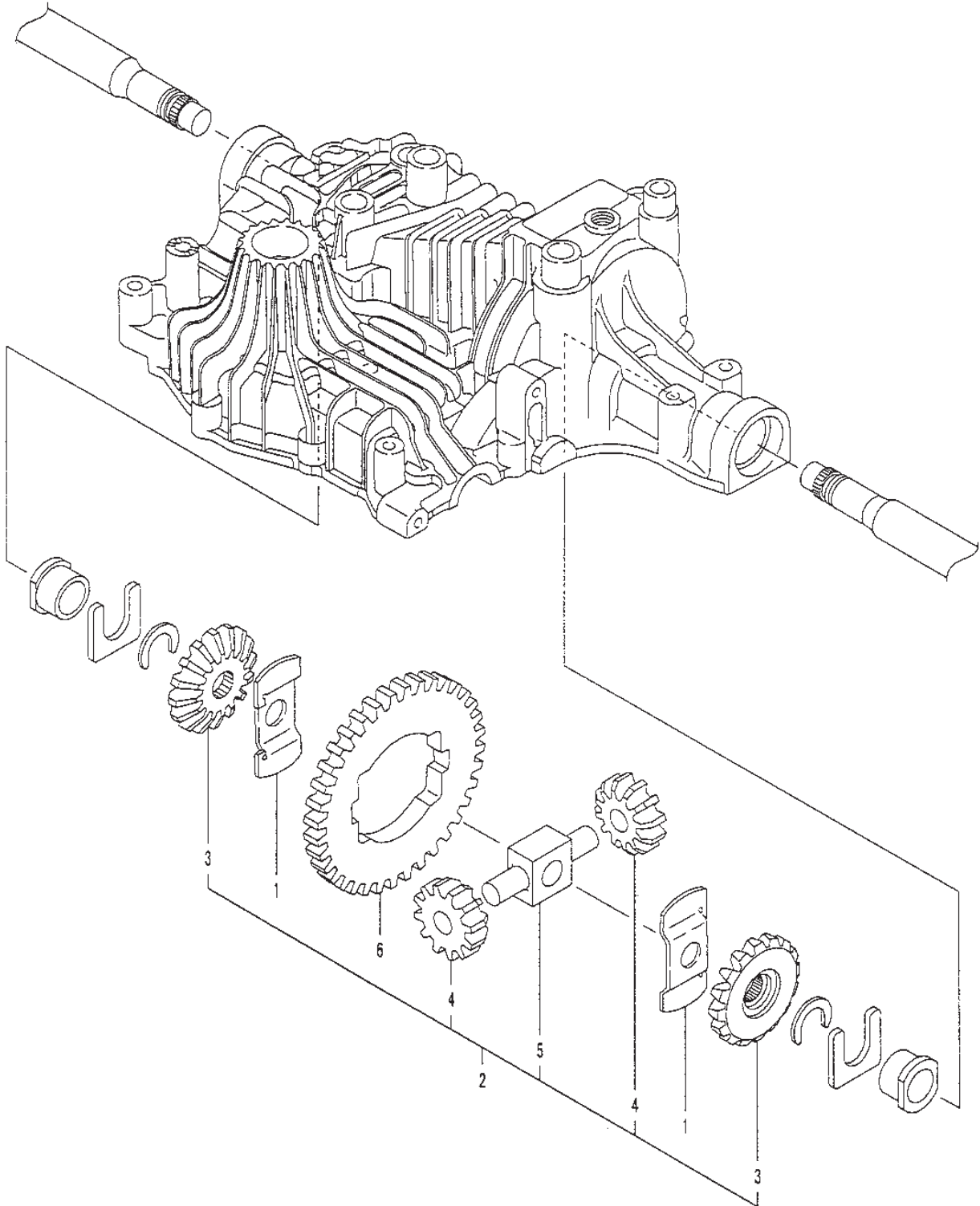
Utgåva Issue 46 - 2014		Kanzaki Transaxel K-61E Motoraxel		Kanzaki Transaxle K-61E Motor Shaft	
Pos. Fig.	Antal Quantity	Art nr Part No	Benämning	Description	Anmärkning Notes
1	1	1139-1004-02	Hus	Housing	Serie nr 5468 -
1	1	1139-1140-01	Service Sats	Service Kit	Serie nr 0001 -
1	1	1139-1004-01	Hus	Housing	Serie nr - 5468
2	1	1139-1005-01	Axiallager	Thrust Bearing	
3	1	1139-1136-01	Motoraxel Kpl	Motor Shaft Set	Inkl. pos. 4-9
4	1	1139-1139-01	Cylinderblock Kpl	Cylinder Block Assy	Inkl. pos 5-8
9	1	1139-1049-03	Motoraxel	Motor Shaft	Serie nr 10036 -
9	1	1139-1049-02	Motoraxel	Motor Shaft	
10	1	1139-1018-01	Fjäder	Spring	
11	1	1139-1019-01	Bricka	Washer	
12	2	1139-1021-01	Lasring	Snap Ring	
13	1	1139-1110-01	Kullager	Ball Bearing	



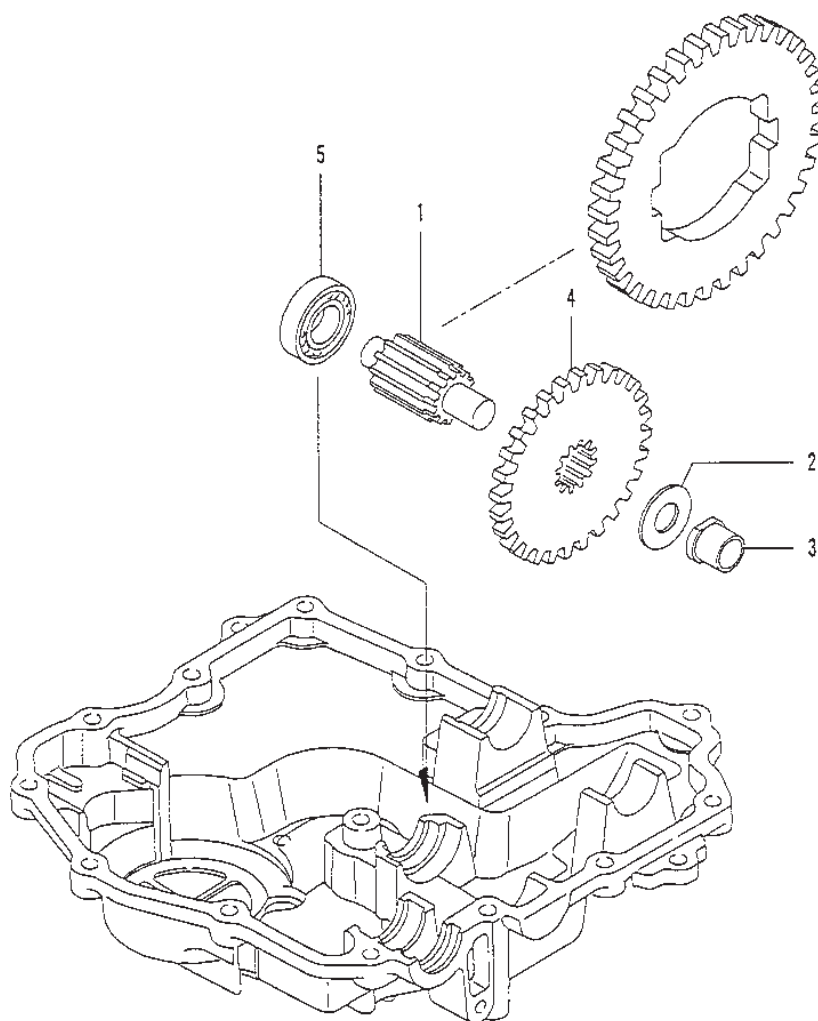
Utgåva Issue 46 - 2014		Kanzaki Transaxel K-61E Riktningväljare		Kanzaki Transaxle K-61E Range Shift	
Pos. Fig.	Antal Quantity	Art nr Part No	Benämning	Description	Anmärkning Notes
1	2	1139-1022-01	Tryckplatta	Metal Thrust	
2	1	1139-1023-01	Stänkplatta Kpl	Swash Plate Assy	Inkl. pos 3-4
5	1	1139-1024-01	Lager	Bearing	
6	1	1139-1025-01	Tryckplatta	Thrust Plate	
7	1	1139-1026-01	Tryckplatta	Thrust Plate	
8	1	1139-1027-01	Arm By-Pass	C-Arm By-Pass	
9	1	1139-1028-01	Fjäder	Spring	
10	1	1139-1029-01	Shaft by-pass	Shaft by-pass	
11	1	1139-1030-01	Block Sats	Block Set	Inkl. pos. 12
13	1	1139-1112-01	O-Ring	O-Ring	
21	1	1139-1031-01	Arm valve release	Arm valve release	
22	1	1139-1106-01	Stift 4*25	Roll Pin	



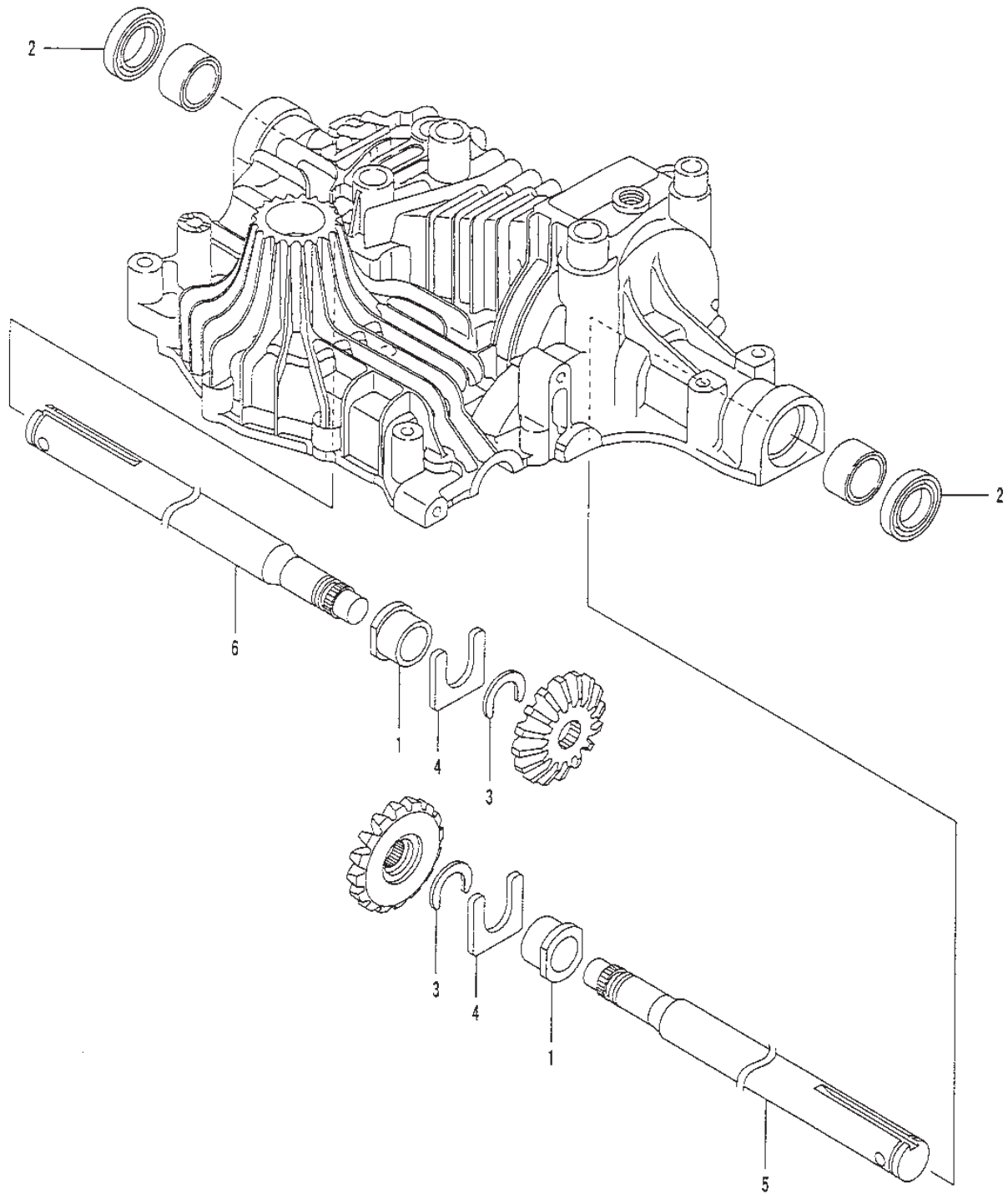
Utgåva Issue 46 - 2014		Kanzaki Transaxel K-61E Neutralarm		Kanzaki Transaxle K-61E Neutral Centering	
Pos. Fig.	Antal Quantity	Art nr Part No	Benämning	Description	Anmärkning Notes
1	1	1139-1032-01	Vridcentrum	Fulcrum	
2	1	1139-1051-01	Reglageaxel Kpl	Control Shaft Assy	Inkl. pos. 3-4
5	1	1139-1102-01	Bricka	Washer	
6	1	1139-1114-01	O-Ring	O-Ring	
7	1	1139-1117-01	O-Ring	O-Ring	
8	1	1139-1127-01	Mutter	Nut	
9	1	1139-1052-01	Lasring	Snap Ring	



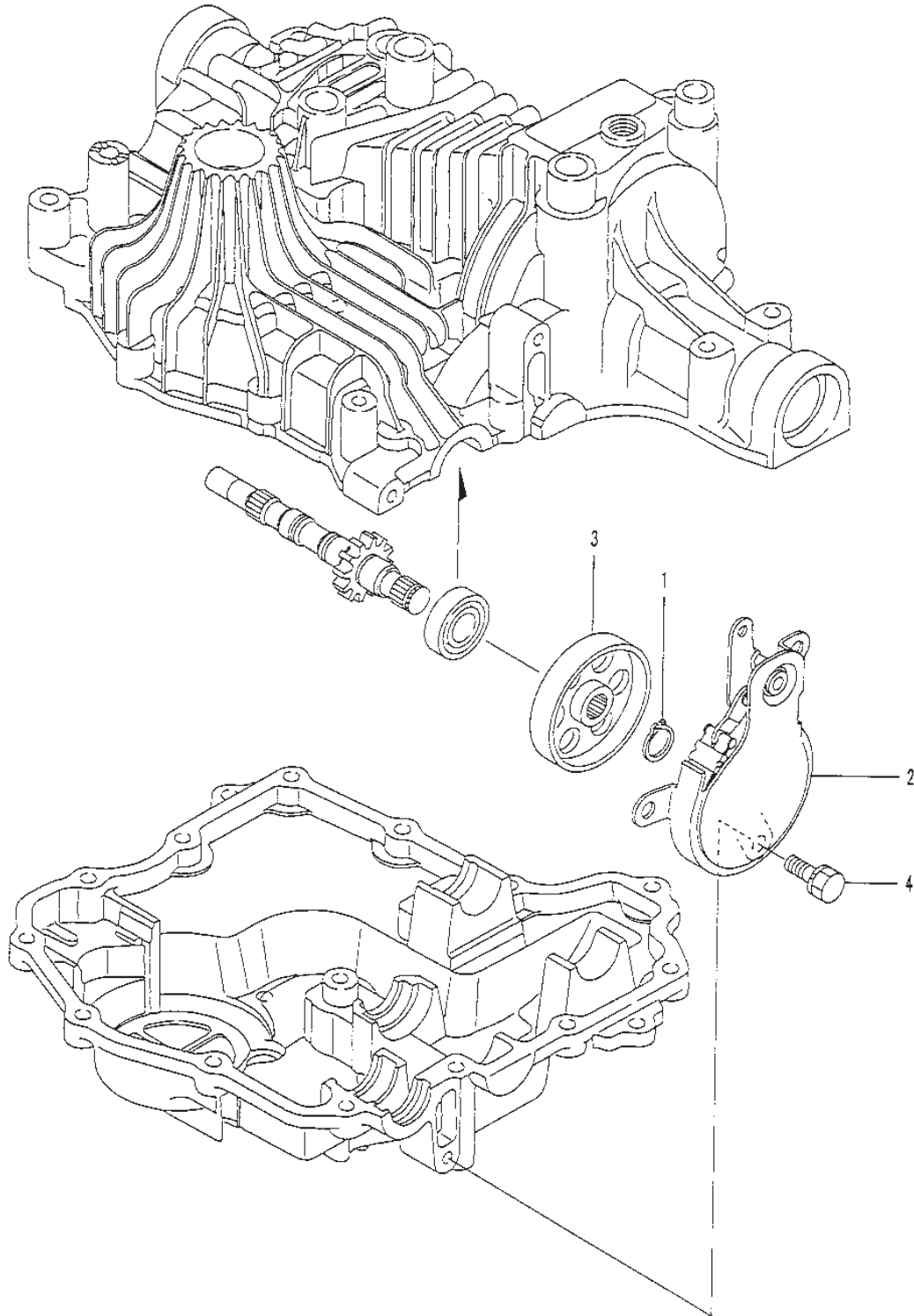
Utgåva Issue 46 - 2014		Kanzaki Transaxel K-61E Differentialdrev		Kanzaki Transaxle K-61E Differential Gear	
Pos. Fig.	Antal Quantity	Art nr Part No	Benämning	Description	Anmärkning Notes
1	2	1139-1034-01	Bricka	Thrust Washer	
2	1	1139-1128-01	Differentialdrevsats	Diff.Gear Kit	Inkl. pos 3-5
5	1	1139-1035-01	Drev	Shaft Diff.Pinion	
6	1	1139-1039-01	Slutdrev	Final Gear	55T



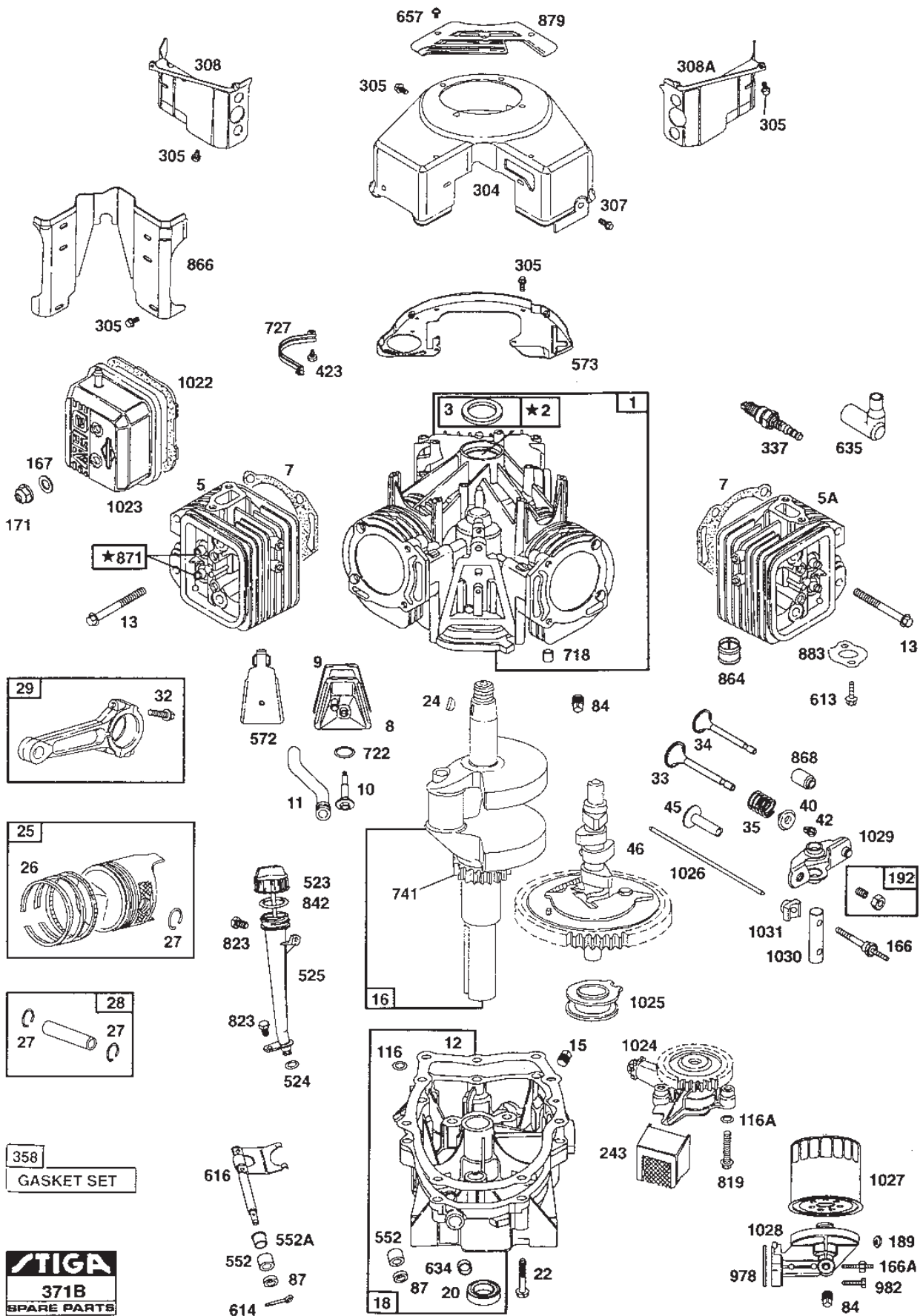
Utgåva Issue 46 - 2014		Kanzaki Transaxel K-61E Slutdrev		Kanzaki Transaxle K-61E Final Pinion	
Pos. Fig.	Antal Quantity	Art nr Part No	Benämning	Description	Anmärkning Notes
1	1	1139-1036-01	Drev	Shaft Final Pinion	
2	1	1139-1037-01	Bricka	Washer	
3	1	1139-1038-01	Bussning	Bushing	
4	1	1139-1048-01	Drev Slutaxel 41T	Gear Final Shaft 41T	41T
5	1	1139-0236-01	Kullager	Ball Bearing	



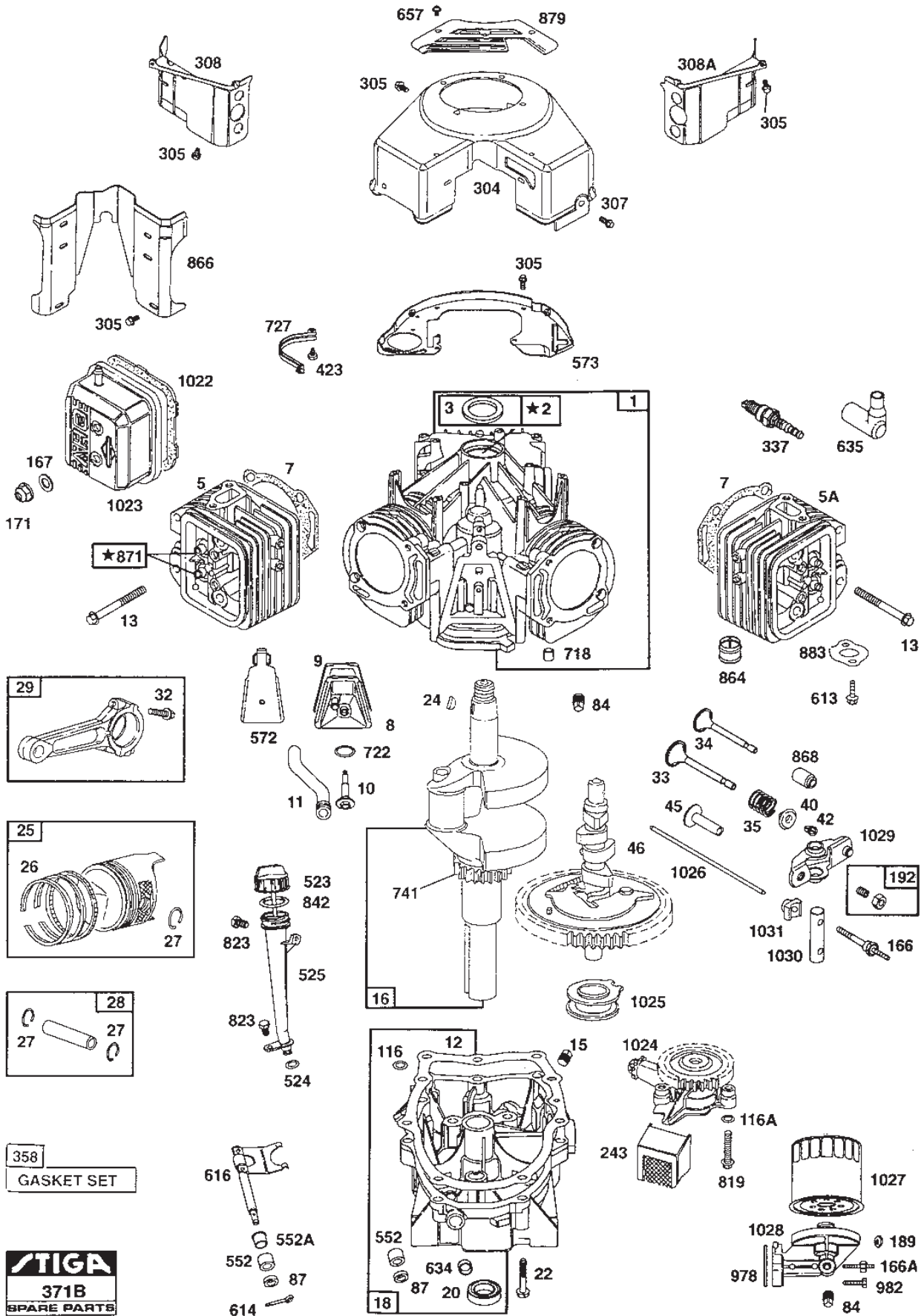
Utgåva Issue 46 - 2014		Kanzaki Transaxel K-61E Hjulaxlar		Kanzaki Transaxle K-61E Axle Shaft	
Pos. Fig.	Antal Quantity	Art nr Part No	Benämning	Description	Anmärkning Notes
1	2	1139-1043-01	Bussning	Bushing	
2	2	1139-1044-01	Tätning	Seal 25.4*42*8	
3	2	1139-1045-01	Lasring	Ring	
4	2	1139-1046-01	Bricka	Thrust Washer	
5	1	1139-1040-01	Axel Vä	Axle Shaft Left	
6	1	1139-1041-01	Axel Hö	Axle Shaft Right	
6	2	1139-1041-01	Axel Hö	Axle Shaft Right	



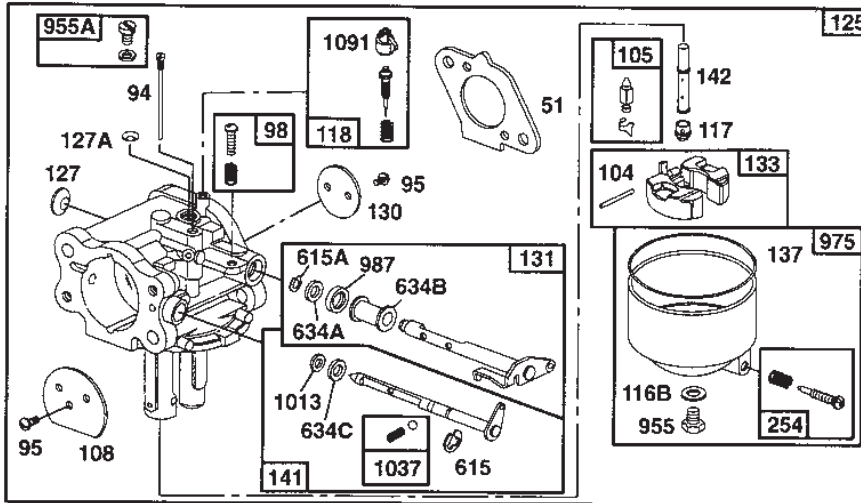
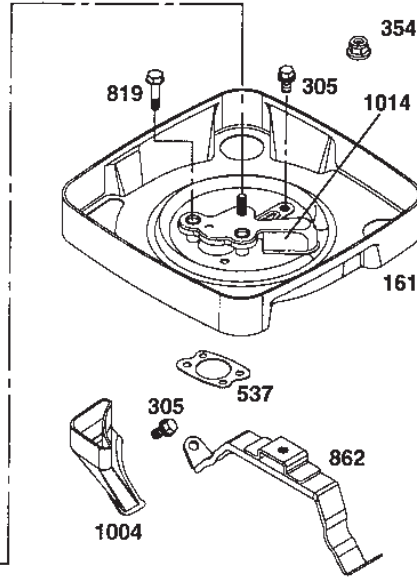
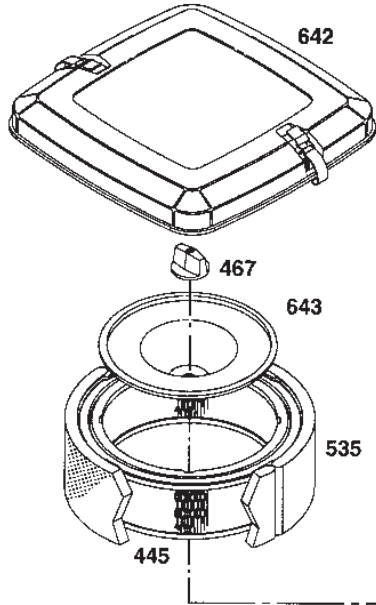
Utgåva Issue 46 - 2014		Kanzaki Transaxel K-61E Broms Kanzaki Transaxle K-61E Brake			
Pos. Fig.	Antal Quantity	Art nr Part No	Benämning	Description	Anmärkning Notes
1	1	1139-1021-01	Lasring	Snap Ring	
2	1	1139-1137-01	Bromsband	Brake Band	
3	1	1139-1047-01	Bromstrumma	Brake Drum	
4	3	1139-1122-01	Bult	Bolt	



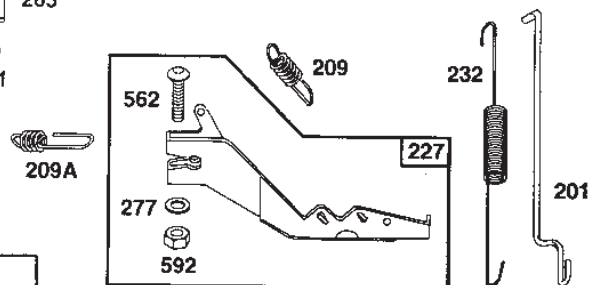
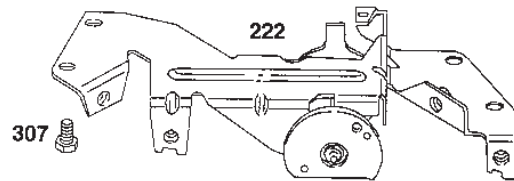
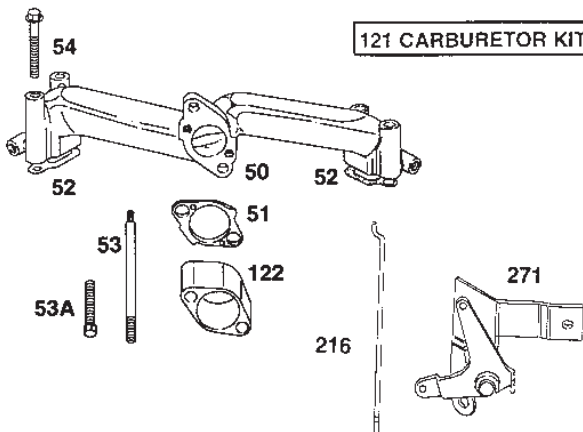
Utgåva Issue 46 - 2014		Cylinder Vevhus	Cylinder Crankcase		
Pos. Fig.	Antal Quantity	Art nr Part No	Benämning	Description	Anmärkning Notes
1	1	807511	Cylinder	Cylinder	
2	1	805107	Bearing	Bearing	
3	1	805101	Oil seal	Oil seal	
5	1	807987	Topplöck	Cylinder Head	
5	1	807988	Topplöck	Cylinder Head	
7	2	807986	Packning	Gasket	
8	1	807795	Vevhusventilation	Breather	
9	1	805379	Packning	Gasket	
10	1	805751	Skruv	Screw	
11	1	805362	Rör	Tube	
12	1	805112	Packning	Gasket	
13	8	805097	Skruv	Screw	
15	1	805048	Oil drain plug	Oil drain plug	
16	1	807586	Crankshaft	Crankshaft	
18	1	807638	Crankcase	Crankcase	
20	1	805049	Oil seal	Oil seal	
22	9	805017	Skruv	Screw	
24	1	805016	Kil	Key	
25	2	807619	Kolv	Piston	STD
25	2	807811	Kolv	Piston	0.030" oversize
25	2	807809	Kolv	Piston	0.020" oversize
25	2	807807	Kolv	Piston	0.010" oversize
26	2	807620	Ring set	Ring set	STD
26	2	807812	Foam grip	Ring set	0.030" oversize
26	2	807810	Breather assy	Ring set	0.020" oversize
26	2	807808	Breather body	Ring set	0.010" oversize
27	4	805099	Lasring	Lock	
28	2	807621	Kolvsprint	Piston Pin	
29	2	807622	Connecting Rod	Connecting Rod	
32	4	805395	Skruv	Screw	
33	2	805089	Exhaust valve	Exhaust valve	
34	2	805090	Insugningsventil	Intake valve	
35	4	805937	Fjäder	Spring	
40	4	805092	Retainer	Retainer	
42	4	805161	Retainer	Retainer	
45	4	805354	Valve tappet	Valve tappet	
46	1	807542	Kamaxel	Camshaft	
84	2	91488	Plugg	Plug	
87	1	805054	Seal	Seal	
116	1	805198	O-ring	O-ring	
116	2	805058	O-ring	O-ring	
166	1	805073	Stud	Stud	
166	4	805343	Stud	Stud	
167	4	805420	Bricka	Washer	
171	4	805019	Mutter	Nut	
189	2	805449	Bricka	Washer	
192	2	807623	Skruv	Screw	
243	1	805964	Oil screen	Oil screen	
304	1	807899	Bearing	Blower housing	



Utgåva Issue 46 - 2014		Cylinder Vevhus	Cylinder Crankcase		
Pos. Fig.	Antal Quantity	Art nr Part No	Benämning	Description	Anmärkning Notes
305	12	805406	Skruv	Screw	
307	2	805025	Skruv	Screw	
308	1	807098	Ledplat	Air Guide	
308	1	807097	Ledplat	Air Guide	
337	2	491055	Spark plug-long thr	Spark plug-long thr.	Champion RC-12YC
337	2	9400-0244-00	Tändstift	Spark Plug	Champion RC-12YC
358	1	807989	Packningssats	Gasket set	Märkta/marked S
423	2	805260	Skruv	Screw	
523	1	807985	Clevis pin	Oil dipstick	
524	1	805011	Oil seal	Oil seal	
525	1	807611	Pafyllningsrör	Oil filler tube	
552	1	805413	Bussning	Bushing	
552	1	805412	Bussning	Bushing	
572	1	805197	Baffle	Baffle	
573	1	807663	Back plate	Back plate	
613	4	805158	Skruv	Screw	
614	1	805417	Saxpinne	Cotter pin	
616	1	807596	Governor fork	Governor fork	
634	1	805416	Bricka	Washer	
635	2	805529	Tändstiftsskydd	Spark plug elbow	
657	2	805009	Skruv	Screw	
718	2	805103	Styrpinne	Dowel pin	
722	1	805483	Seal	Seal	
727	1	805505	Shield	Shield	
741	1	805675	Gear	Gear	
819	2	805057	Skruv	Screw	
823	2	805317	Skruv	Screw	
842	1	270920	Tätning	Seal	
864	2	805083	Avgasport	Exhaust port liner	
866	1	805738	Valley cover	Valley cover	
868	4	805094	Seal	Seal	
871	4	805084	Valve guide	Valve guide	
879	1	805841	Förgasarkapa	Carburettor Cover	
883	2	805024	Packning	Gasket	
978	1	805250	Packning	Gasket	
982	2	805030	Skruv	Screw	
1022	2	806039	Packning	Gasket	
1023	2	805100	Valve cover	Valve cover	
1024	1	807546	Oil pump	Oil pump	
1025	1	805313	Governor slider	Governor slider	
1026	2	805352	Stötstang (stål)	Push rod (steel)	
1026	2	805617	Stötstang (alum)	Push rod (alum)	
1027	1	492932	Oljefilter	Oil Filter	
1028	1	805292	Oljefilteradapter	Oil filter adapter	
1029	4	808096	Vipparm	Rocker arm	
1030	2	805342	Axel	Shaft	
1031	4	805341	Fäste	Support	

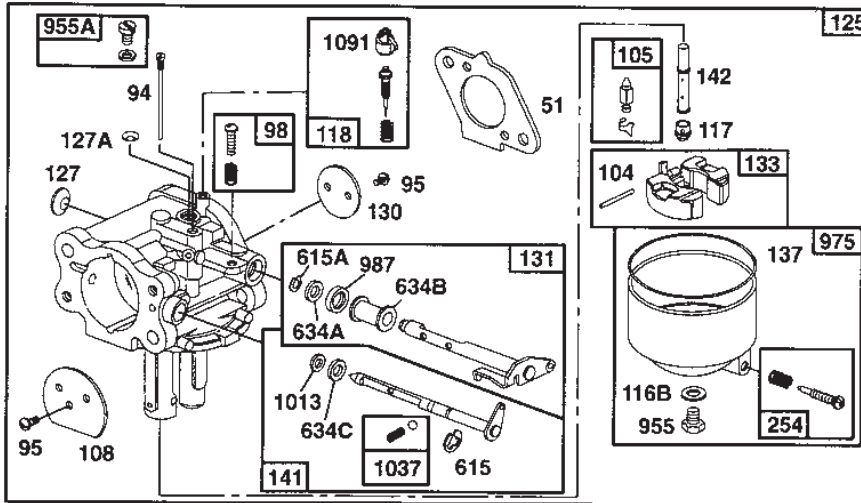
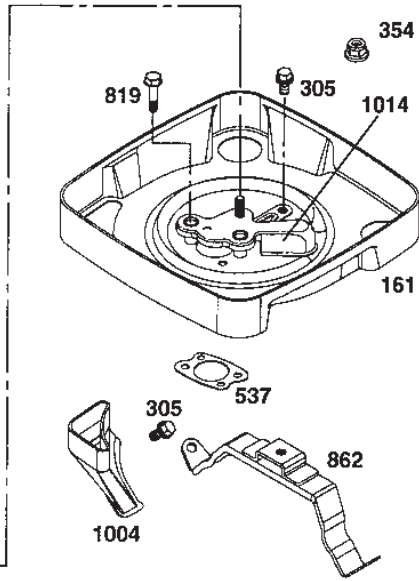
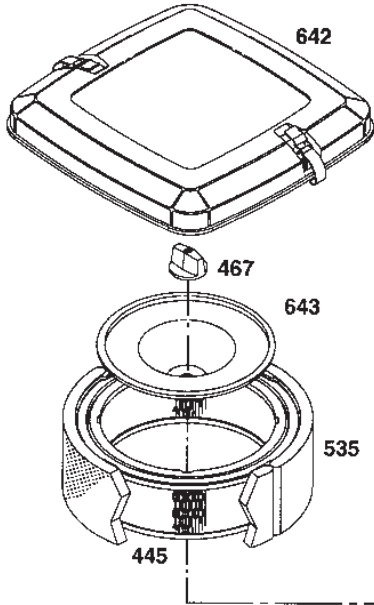


121 CARBURETOR KIT

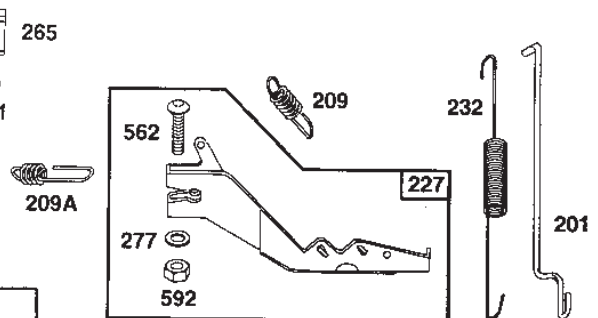
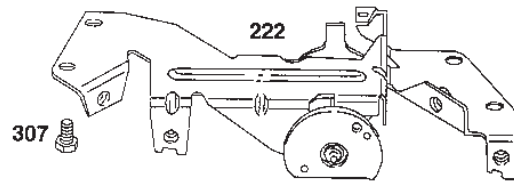
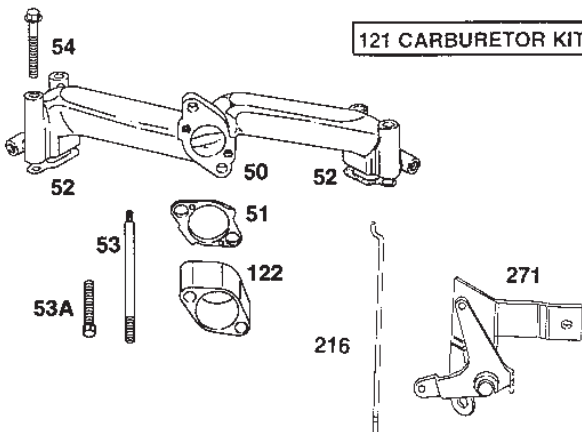


358 GASKET SET

Utgåva Issue 46 - 2014		Förgasare Luftfilter	Carburettor Air Cleaner		
Pos. Fig.	Antal Quantity	Art nr Part No	Benämning	Description	Anmärkning Notes
50	1	805772	Insugningsrör	Intake Manifold	
51	1	805149	Packning	Gasket	
52	2	805023	Packning	Gasket	
53	2	805360	Skruv	Screw	
53	1	805669	Stud	Stud	
54	4	805006	Skruv	Screw	
94	1	805777	Nozzle	Nozzle	
95	2	805561	Skruv	Screw	
98	1	807705	Skruv	Screw	
104	1	805586	Flottöaxel	Hinge pin	
105	1	807706	Exhaust valve assy	Fuel inlet valve	
108	1	805562	Choke valve	Choke valve	
118	1	808258	Justerskruv	Idle valve	
121	1	808264	Blade set	Carburettor overhaul	Märkta/marked F
122	1	805770	Distans	Spacer	
125	1	808255	Förgasare kpl	Carburettor Assy	
127	1	805571	Welch plug	Welch plug	
127	1	805570	Welch plug	Welch plug	
130	1	805572	Gasspjäll	Throttle Valve	
131	1	807709	Spjällsaxeln	Throttle Shaft	
133	1	807710	Flottör	Float	
141	1	807711	Exhaust valve assy	Choke shaft	
142	1	807712	Oil pump	Nozzle	
161	1	807857	Luftrenarfäste	Air Cleaner Base	
187	1	393815	Bränsleledning	Fuel line	279 mm
201	1	805480	Governor link	Governor link	
209	1	805453	Fjäder	Spring	
209	1	805461	Fjäder	Spring	
216	1	805439	Choke link	Choke link	
222	1	807610	Fäste	Control Bracket	
227	1	807528	Governor lever	Governor lever	
232	1	805465	Fjäder	Spring	
240	1	493629	Bränslefilter	Fuel Filter	
254	1	807713	Dräneringsskruv	Drain	
265	2	221535	Klämma	Clamp	
271	1	808145	Reglagearm	Control Lever	
277	1	805018	Bricka	Washer	
305	1	805406	Skruv	Screw	
307	6	805025	Skruv	Screw	
351	2	805169	Skruv	Screw	
354	1	810078	Mutter	Nut	
358	1	807989	Packningssats	Gasket set	Märkta/marked S
387	1	491922	Fuel pump	Fuel pump	
445	1	394018	Air cleaner cartridge	Air cleaner cartridge	
467	1	491875	Lasratt	Knob	
527	1	223167	Clamp	Clamp	
535	1	272490	Förfilter	Pre cleaner filter	
537	1	805655	Packning	Gasket	
562	1	805381	Skruv	Screw	



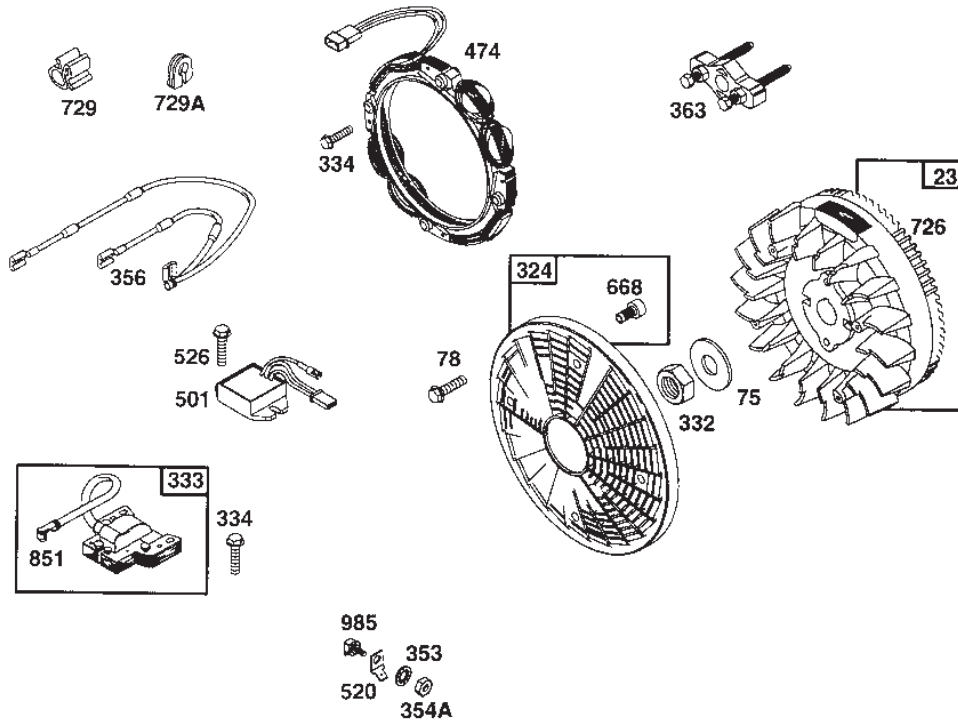
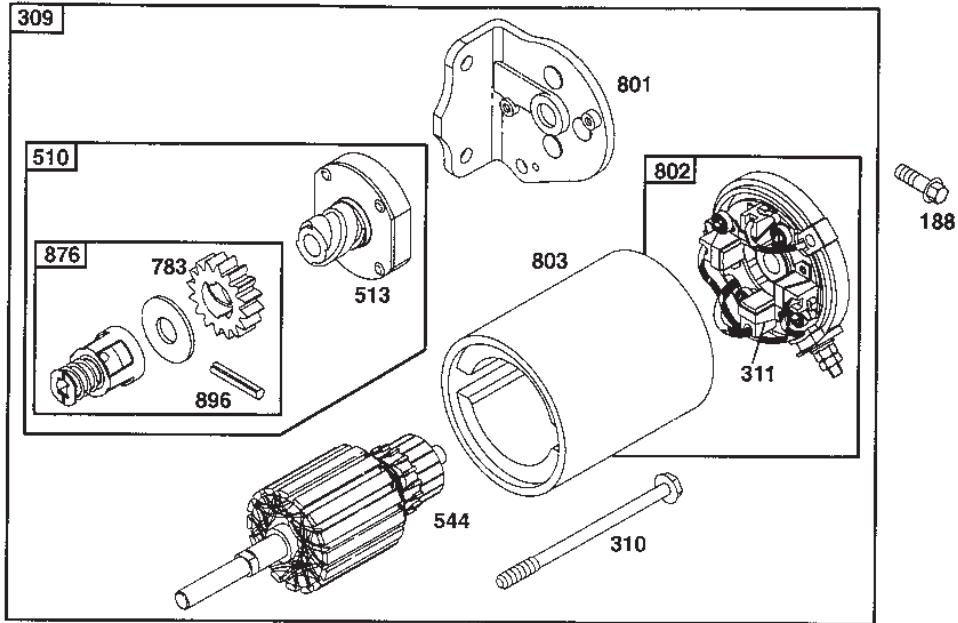
121 CARBURETOR KIT



358 GASKET SET



Utgåva Issue 46 - 2014		Förgasare Luftfilter	Carburettor Air Cleaner		
Pos. Fig.	Antal Quantity	Art nr Part No	Benämning	Description	Anmärkning Notes
592	1	805383	Mutter	Nut	
601	2	93053	Slangklämma	Hose clamp	
615	1	805577	Retainer	Retainer	
615	1	805578	Retainer	Retainer	
634	1	805576	Collar	Collar	
634	1	805574	Collar	Collar	
634	1	805580	Collar	Collar	
642	1	807862	Wheel axle bolt	Cover	
643	1	805631	Plate	Plate	
788	1	807685	Fäste	Bracket	
819	1	805057	Skruv	Screw	
823	2	805317	Skruv	Screw	
862	1	807859	Fäste	Bracket	
955	1	805592	Skruv	Screw	
955	1	807714	Plugg	Plug and seal	
975	1	807715	Cap	Bowl	
987	1	805575	Seal	Seal	
1004	1	805632	Air inlet tube	Air inlet tube	
1013	1	805581	Seal	Seal	
1014	1	807797	Deflektor	Deflector	
1037	1	807717	Kula	Ball	
1091	1	805858	Huv	Limiter cap	



Utgåva Issue 46 - 2014		Elsystem Startmotor		Electric System Starter Motor	
Pos. Fig.	Antal Quantity	Art nr Part No	Benämning	Description	Anmärkning Notes
23	1	807531	Flywheel	Flywheel	
75	1	805007	Bricka	Washer	
78	3	805447	Skruv	Screw	
188	2	805247	Skruv	Screw	
309	1	494990	Starter motor	Starter motor	
310	2	94004	Bult	Bolt	
311	2	490311	Brush	Brush	
324	1	494439	Nät	Screen	
332	1	805021	Mutter	Nut	
333	1	492341	Armature magneto	Armature magneto	
334	6	805407	Skruv	Screw	
353	1	92791	Bricka	Washer	
354	1	90576	Mutter	Nut	
356	1	493792	Gasreglage	Throttle Cable	
363	1	19203	Avdragare	Puller	Tillbehör/Accessory
474	1	393295	Generator	Alternator	
501	1	394890	Regulator	Regulator	
510	1	495878	Drev kpl	Drive assy	
513	1	398003	Koppling kpl	Clutch Ass.Y	
520	1	93722	Anslutningsbleck	Terminal	
526	2	805448	Skruv	Screw	
544	1	490309	Armature	Armature	
668	1	805402	Distans	Spacer	
726	1	807805	Breather body	Gear	
729	1	280470	Wire clip	Wire clip	
729	1	805641	Hylsa	Grommet	
783	1	280104	Drev	Gear	
801	1	394856	Lock	Drive end cap	
802	1	494988	Bottenkapa	Commutator end cap	
803	1	494205	Hus	Housing	
851	1	493880	Terminal	Terminal	
876	1	495877	Retainer kit	Retainer kit	
896	1	94288	Stift	Roll pin	
985	1	398525	Isolator	Insulator	

code	pos.	q.ty	page											
1134-3662-01	34	1	p. 19	1139-1023-01	2	1	p. 39	9400-0244-00	337	2	p. 53			
1134-3704-01	8	1	p. 17	1139-1024-01	5	1	p. 39	9403-0035-10	79	1	p. 9			
1134-3706-01	2	1	p. 17	1139-1025-01	6	1	p. 39	9403-0110-01	1	1	p. 29			
1134-3710-01	48	2	p. 3	1139-1026-01	7	1	p. 39	9404-0020-00	7	1	p. 7			
1134-3732-01	66	1	p. 23	1139-1027-01	8	1	p. 39	9405-0029-00	30	3	p. 5			
1134-3733-01	70	2	p. 23	1139-1028-01	9	1	p. 39	9501-0500-00	4	2	p. 5			
1134-3734-01	43	1	p. 19	1139-1029-01	10	1	p. 39	9501-0500-00	5	1	p. 3			
1134-3758-01	52	1	p. 3	1139-1030-01	11	1	p. 39	9501-0502-00	6	1	p. 3			
1134-3800-01	1	1	p. 27	1139-1031-01	21	1	p. 39	9545-0116-00	25	2	p. 3			
1134-3817-01	21	2	p. 25	1139-1032-01	1	1	p. 41	9545-0116-00	61	2	p. 21			
1134-3836-01	22	1	p. 19	1139-1034-01	1	2	p. 43	9545-0500-00	27	2	p. 3			
1134-3855-01	92	1	p. 9	1139-1035-01	5	1	p. 43	9545-0500-00	62	2	p. 21			
1134-3856-01	91	1	p. 9	1139-1036-01	1	1	p. 45	9547-0001-00	3	2	p. 5			
1134-3857-01	13	1	p. 7	1139-1037-01	2	1	p. 45	9549-0017-00	30	2	p. 25			
1134-3860-01	94	1	p. 9	1139-1038-01	3	1	p. 45	9549-0019-00	41	2	p. 11			
1134-3863-01	90	1	p. 9	1139-1039-01	6	1	p. 43	9549-0036-00	24	2	p. 3			
1134-3864-01	15	1	p. 7	1139-1040-01	5	1	p. 47	9570-0001-00	52	1	p. 17			
1134-3868-01	21	1	p. 7	1139-1041-01	6	1	p. 47	9570-0001-00	75	1	p. 21			
1134-3871-02	10	1	p. 27	1139-1041-01	6	2	p. 47	9570-0004-00	22	1	p. 15			
1134-3875-01	75	1	p. 23	1139-1043-01	1	2	p. 47	9578-0011-00	18	1	p. 7			
1134-3876-01	16	1	p. 27	1139-1044-01	2	2	p. 47	9578-0021-00	24	2	p. 19			
1134-3878-01	14	1	p. 27	1139-1045-01	3	2	p. 47	9578-0023-00	24	2	p. 19			
1134-3878-02	15	1	p. 27	1139-1046-01	4	2	p. 47	9578-0023-02	49	2	p. 7			
1134-3879-01	17	1	p. 27	1139-1047-01	3	1	p. 49	9578-0023-03	98	1	p. 9			
1134-3889-01	93	1	p. 9	1139-1048-01	4	1	p. 45	9579-0003-00	20	1	p. 7			
1134-3895-01	44	1	p. 7	1139-1049-02	9	1	p. 37	9579-0003-00	28	10	p. 23			
1134-3924-01	99	1	p. 5	1139-1049-03	9	1	p. 37	9579-0003-00	47	1	p. 19			
1134-3974-01	19	1	p. 17	1139-1050-01	20	2	p. 31	9595-0110-00	10	3	p. 15			
1134-3974-01	23	1	p. 11	1139-1051-01	2	1	p. 41	9595-0153-00	11	1	p. 15			
1134-3974-01	61	1	p. 7	1139-1052-01	9	1	p. 41	9595-0160-00	5	1	p. 27			
1134-9012-01	57	1	p. 11	1139-1102-01	5	1	p. 41	9595-0235-00	14	1	p. 17			
1134-9024-01	24	1	p. 17	1139-1103-01	11	1	p. 31	9595-0258-00	8	2	p. 29			
1134-9024-01	59	1	p. 7	1139-1104-01	12	1	p. 31	9595-0258-00	21	2	p. 3			
1134-9027-01	30	1	p. 11	1139-1106-01	22	1	p. 39	9595-0258-00	26	1	p. 19			
1134-9028-01	6	1	p. 5	1139-1107-01	29	1	p. 33	9595-0262-00	4	1	p. 3			
1134-9028-01	24	1	p. 5	1139-1110-01	11	1	p. 35	9595-0262-00	25	1	p. 25			
1134-9037-01	9	1	p. 19	1139-1110-01	13	1	p. 37	9599-0080-02	29	4	p. 3			
1139-0223-01	1	1	p. 31	1139-1112-01	13	1	p. 39	9600-0250-00	19	1	p. 7			
1139-0236-01	5	1	p. 45	1139-1113-01	30	1	p. 33	9632-0516-00	31	3	p. 5			
1139-0244-01	16	11	p. 31	1139-1114-01	6	1	p. 41	9646-0099-22	21	1	p. 29			
1139-1001-01	21	1	p. 19	1139-1115-01	31	1	p. 33	9650-0015-04	33	2	p. 19			
1139-1004-01	1	1	p. 37	1139-1117-01	7	1	p. 41	9651-0040-04	38	2	p. 11			
1139-1004-02	1	1	p. 37	1139-1119-01	13	1	p. 31	9665-0002-00	17	1	p. 19			
1139-1005-01	2	1	p. 37	1139-1120-01	14	1	p. 31	9672-0004-02	16	2	p. 11			
1139-1006-01	7	1	p. 31	1139-1121-01	27	2	p. 33	9672-0004-02	20	2	p. 27			
1139-1007-01	8	1	p. 31	1139-1122-01	4	3	p. 49	9672-0006-02	23	2	p. 27			
1139-1008-01	3	2	p. 33	1139-1123-01	15	1	p. 31	9675-0008-02	11	1	p. 29			
1139-1009-01	2	1	p. 33	1139-1125-01	32	3	p. 33	9675-0008-02	29	1	p. 7			
1139-1009-02	2	1	p. 33	1139-1126-01	17	2	p. 31	9675-0009-02	17	1	p. 15			
1139-1011-01	5	1	p. 33	1139-1127-01	8	1	p. 41	9675-0009-02	19	2	p. 15			
1139-1012-01	16	1	p. 33	1139-1128-01	2	1	p. 43	9675-0012-02	12	1	p. 29			
1139-1013-01	6	1	p. 33	1139-1129-01	21	1	p. 31	9675-0012-02	37	1	p. 19			
1139-1013-01	18	1	p. 33	1139-1130-01	19	1	p. 31	9675-0012-02	89	1	p. 21			
1139-1014-01	7	1	p. 33	1139-1131-01	18	1	p. 31	9695-0011-00	34	1	p. 25			
1139-1014-01	19	1	p. 33	1139-1132-01	2	1	p. 31	9699-0002-02	46	1	p. 19			
1139-1015-01	1	1	p. 33	1139-1133-01	3	1	p. 31	9699-0025-02	9	5	p. 15			
1139-1016-01	28	1	p. 33	1139-1134-01	6	1	p. 31	9699-0025-02	11	2	p. 11			
1139-1018-01	8	1	p. 35	1139-1135-01	1	1	p. 35	9699-0025-02	20	2	p. 29			
1139-1018-01	10	1	p. 37	1139-1136-01	3	1	p. 37	9699-0028-02	36	1	p. 19			
1139-1019-01	9	2	p. 35	1139-1137-01	2	1	p. 49	9699-0028-02	38	3	p. 19			
1139-1019-01	11	1	p. 37	1139-1139-01	2	1	p. 35	9699-0028-02	82	1	p. 9			
1139-1020-02	7	1	p. 35	1139-1139-01	4	1	p. 37	9699-0035-02	8	5	p. 25			
1139-1021-01	1	1	p. 49	1139-1140-01	1	1	p. 37	9699-0035-02	11	1	p. 3			
1139-1021-01	10	3	p. 35	9400-0063-00	69	1	p. 23	9699-0042-02	30	2	p. 3			
1139-1021-01	12	2	p. 37	9400-0064-02	7	1	p. 23	9699-0056-02	35	1	p. 11			
1139-1022-01	1	2	p. 39	9400-0075-00	68	1	p. 23	9699-0056-02	64	2	p. 3			
								9699-0062-02	12	4	p. 27			

code	pos.	q.ty	page									
9699-0062-02	32	2	p. 27	9849-8013-16	50	2	p. 3	91488	84	2	p. 51	
9699-0062-02	53	2	p. 11	9849-8013-16	80	2	p. 9	92791	353	1	p. 59	
9699-0062-02	83	1	p. 9	9849-8032-16	51	1	p. 3	93053	601	2	p. 57	
9699-0087-02	8	2	p. 5	9897-1040-12	13	2	p. 25	93722	520	1	p. 59	
9699-0087-02	11	2	p. 17	9898-0820-16	33	2	p. 27	94004	310	2	p. 59	
9699-0087-02	25	1	p. 5	9924-1035-16	11	1	p. 19	94288	896	1	p. 59	
9699-0090-02	22	2	p. 25	9942-0612-16	21	2	p. 5	221535	265	2	p. 55	
9699-0099-02	3	4	p. 7	9942-0612-16	31	2	p. 25	223167	527	1	p. 55	
9699-0099-02	49	2	p. 3	9942-0816-16	64	2	p. 11	270920	842	1	p. 53	
9699-0103-02	26	1	p. 25	9945-0816-16	8	6	p. 3	272490	535	1	p. 55	
9699-0109-02	43	1	p. 11	9945-0816-16	10	2	p. 5	280104	783	1	p. 59	
9699-0114-02	26	1	p. 25	9945-0816-16	10	4	p. 3	280470	729	1	p. 59	
9739-0531-22	10	2	p. 17	9945-0816-16	63	6	p. 3	393295	474	1	p. 59	
9739-0531-22	31	1	p. 23	9945-0816-16	64	2	p. 13	393815	187	1	p. 55	
9739-0531-22	76	2	p. 21	9959-0612-16	15	2	p. 15	394018	445	1	p. 55	
9739-0531-22	108	5	p. 17	9959-0612-16	32	4	p. 19	394856	801	1	p. 59	
9739-0631-22	6	2	p. 29	9959-0612-16	62	2	p. 11	394890	501	1	p. 59	
9739-0631-22	15	1	p. 19	9959-0612-16	63	2	p. 23	398003	513	1	p. 59	
9739-0631-22	16	2	p. 15	9959-0616-16	63	2	p. 23	398525	985	1	p. 59	
9739-0631-22	61	2	p. 11	9959-0816-16	16	1	p. 7	490309	544	1	p. 59	
9739-0631-22	64	2	p. 23	9959-0816-16	35	1	p. 19	490311	311	2	p. 59	
9739-0631-22	92	1	p. 21	9959-0816-16	45	2	p. 3	491055	337	2	p. 53	
9739-0831-22	1	3	p. 11	9959-0816-16	50	2	p. 17	491875	467	1	p. 55	
9739-0831-22	7	7	p. 17	9959-0816-16	64	1	p. 7	491922	387	1	p. 55	
9739-0831-22	11	2	p. 5	9959-0816-16	81	2	p. 21	492341	333	1	p. 59	
9739-0831-22	12	4	p. 7	9959-0816-16	87	1	p. 21	492932	1027	1	p. 53	
9739-0831-22	17	1	p. 7	9959-0816-16	96	1	p. 9	493629	240	1	p. 55	
9739-0831-22	18	1	p. 19	9959-0816-16	103	1	p. 17	493792	356	1	p. 59	
9739-0831-22	23	2	p. 7	9959-0820-16	6	2	p. 17	493880	851	1	p. 59	
9739-0831-22	40	1	p. 19	9959-0820-16	12	2	p. 5	494205	803	1	p. 59	
9739-0831-22	44	6	p. 3	9959-0820-16	22	2	p. 7	494439	324	1	p. 59	
9739-0831-22	65	1	p. 7	9959-0820-16	33	1	p. 11	494988	802	1	p. 59	
9739-0831-22	70	1	p. 9	9959-0820-16	46	4	p. 3	494990	309	1	p. 59	
9739-0831-22	82	2	p. 21	9959-0820-16	48	1	p. 19	495877	876	1	p. 59	
9739-0831-22	88	1	p. 21	9959-1020-16	12	1	p. 3	495878	510	1	p. 59	
9739-0831-22	97	1	p. 9	9959-1020-16	19	2	p. 29	805006	54	4	p. 55	
9739-1031-22	7	3	p. 25	9959-1025-16	15	1	p. 5	805007	75	1	p. 59	
9739-1031-22	14	4	p. 25	9959-1025-16	45	1	p. 11	805009	657	2	p. 53	
9739-1031-22	16	2	p. 29	9987-5338-12	2	1	p. 19	805011	524	1	p. 53	
9739-1031-22	91	1	p. 13	9987-5338-12	56	1	p. 11	805016	24	1	p. 51	
9747-0531-02	36	2	p. 23	9988-3616-16	34	4	p. 27	805017	22	9	p. 51	
9747-0631-02	23	1	p. 5	9997-0512-16	2	4	p. 7	805018	277	1	p. 55	
9747-0631-02	27	1	p. 7	9997-0520-16	9	2	p. 17	805019	171	4	p. 51	
9747-0631-02	33	1	p. 7	9997-0520-16	30	1	p. 23	805021	332	1	p. 59	
9747-0831-02	4	1	p. 15	9997-0520-16	35	2	p. 23	805023	52	2	p. 55	
9747-0831-02	13	2	p. 27	9997-0520-16	37	3	p. 17	805024	883	2	p. 53	
9747-0831-02	23	2	p. 25	9997-0616-16	91	1	p. 21	805025	307	2	p. 53	
9747-0831-02	29	1	p. 19	9997-0630-12	14	1	p. 19	805025	307	6	p. 55	
9747-0831-02	49	1	p. 19	9997-0670-12	22	1	p. 5	805030	982	2	p. 53	
9747-0831-02	52	4	p. 19	9997-0816-02	11	2	p. 27	805048	15	1	p. 51	
9747-0831-02	65	2	p. 21	9997-0835-12	39	1	p. 19	805049	20	1	p. 51	
9794-5131-02	15	2	p. 23	9997-0840-16	8	1	p. 7	805054	87	1	p. 51	
9795-3531-02	52	1	p. 23	9997-0840-16	9	2	p. 7	805057	819	1	p. 57	
9799-0631-02	23	1	p. 15	9997-0845-12	64	2	p. 21	805057	819	2	p. 53	
9799-0831-02	6	2	p. 27	9997-0850-16	34	1	p. 11	805058	116	2	p. 51	
9799-1031-02	12	1	p. 19	9997-0855-12	28	1	p. 19	805073	166	1	p. 51	
9799-1031-02	31	1	p. 11	9997-0865-12	54	1	p. 11	805083	864	2	p. 53	
9842-0001-16	45	1	p. 19	9997-0870-16	10	1	p. 7	805084	871	4	p. 53	
9847-7919-16	71	2	p. 23	9997-0870-16	51	4	p. 19	805089	33	2	p. 51	
9847-8016-16	19	1	p. 11	9997-0870-16	81	1	p. 17	805090	34	2	p. 51	
9849-8006-16	1	2	p. 23	9997-1030-16	6	3	p. 25	805092	40	4	p. 51	
9849-8009-16	13	2	p. 23	9997-1030-16	28	1	p. 11	805094	868	4	p. 53	
9849-8013-16	7	2	p. 5	9997-1040-12	12	2	p. 25	805097	13	8	p. 51	
9849-8013-16	14	4	p. 3	9997-1070-12	93	1	p. 13	805099	27	4	p. 51	
9849-8013-16	26	1	p. 5	9997-1450-16	32	1	p. 11	805100	1023	2	p. 53	
9849-8013-16	42	2	p. 3	19203	363	1	p. 59	805101	3	1	p. 51	
				90576	354	1	p. 59	805103	718	2	p. 53	

code	pos.	q.ty	page				
805107	2	1	p. 51	805675	741	1	p. 53
805112	12	1	p. 51	805738	866	1	p. 53
805149	51	1	p. 55	805751	10	1	p. 51
805158	613	4	p. 53	805770	122	1	p. 55
805161	42	4	p. 51	805772	50	1	p. 55
805169	351	2	p. 55	805777	94	1	p. 55
805197	572	1	p. 53	805841	879	1	p. 53
805198	116	1	p. 51	805858	1091	1	p. 57
805247	188	2	p. 59	805937	35	4	p. 51
805250	978	1	p. 53	805964	243	1	p. 51
805260	423	2	p. 53	806039	1022	2	p. 53
805292	1028	1	p. 53	807097	308	1	p. 53
805313	1025	1	p. 53	807098	308	1	p. 53
805317	823	2	p. 53	807511	1	1	p. 51
805317	823	2	p. 57	807528	227	1	p. 55
805341	1031	4	p. 53	807531	23	1	p. 59
805342	1030	2	p. 53	807542	46	1	p. 51
805343	166	4	p. 51	807546	1024	1	p. 53
805352	1026	2	p. 53	807586	16	1	p. 51
805354	45	4	p. 51	807596	616	1	p. 53
805360	53	2	p. 55	807610	222	1	p. 55
805362	11	1	p. 51	807611	525	1	p. 53
805379	9	1	p. 51	807619	25	2	p. 51
805381	562	1	p. 55	807620	26	2	p. 51
805383	592	1	p. 57	807621	28	2	p. 51
805395	32	4	p. 51	807622	29	2	p. 51
805402	668	1	p. 59	807623	192	2	p. 51
805406	305	1	p. 55	807638	18	1	p. 51
805406	305	12	p. 53	807663	573	1	p. 53
805407	334	6	p. 59	807685	788	1	p. 57
805412	552	1	p. 53	807705	98	1	p. 55
805413	552	1	p. 53	807706	105	1	p. 55
805416	634	1	p. 53	807709	131	1	p. 55
805417	614	1	p. 53	807710	133	1	p. 55
805420	167	4	p. 51	807711	141	1	p. 55
805439	216	1	p. 55	807712	142	1	p. 55
805447	78	3	p. 59	807713	254	1	p. 55
805448	526	2	p. 59	807714	955	1	p. 57
805449	189	2	p. 51	807715	975	1	p. 57
805453	209	1	p. 55	807717	1037	1	p. 57
805461	209	1	p. 55	807795	8	1	p. 51
805465	232	1	p. 55	807797	1014	1	p. 57
805480	201	1	p. 55	807805	726	1	p. 59
805483	722	1	p. 53	807807	25	2	p. 51
805505	727	1	p. 53	807808	26	2	p. 51
805529	635	2	p. 53	807809	25	2	p. 51
805561	95	2	p. 55	807810	26	2	p. 51
805562	108	1	p. 55	807811	25	2	p. 51
805570	127	1	p. 55	807812	26	2	p. 51
805571	127	1	p. 55	807857	161	1	p. 55
805572	130	1	p. 55	807859	862	1	p. 57
805574	634	1	p. 57	807862	642	1	p. 57
805575	987	1	p. 57	807899	304	1	p. 51
805576	634	1	p. 57	807985	523	1	p. 53
805577	615	1	p. 57	807986	7	2	p. 51
805578	615	1	p. 57	807987	5	1	p. 51
805580	634	1	p. 57	807988	5	1	p. 51
805581	1013	1	p. 57	807989	358	1	p. 53
805586	104	1	p. 55	807989	358	1	p. 55
805592	955	1	p. 57	808096	1029	4	p. 53
805617	1026	2	p. 53	808145	271	1	p. 55
805631	643	1	p. 57	808255	125	1	p. 55
805632	1004	1	p. 57	808258	118	1	p. 55
805641	729	1	p. 59	808264	121	1	p. 55
805655	537	1	p. 55	810078	354	1	p. 55
805669	53	1	p. 55				