



Reservdelskatalog Parts Catalogue

PARK PRO 16

13-6216-15 - Season 2004

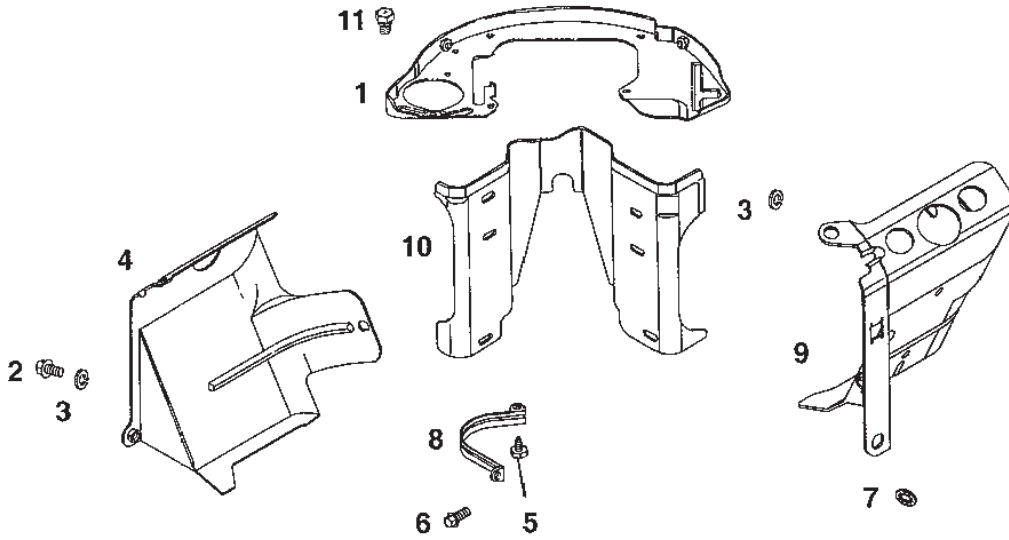
- Use GLOBAL GARDEN PRODUCT Genuine Spare Parts specified in the parts list for repair and/or replacement.
 - The contents described in the parts list may change due to improvement.
 - The drawings of the spare parts are only indicative and might not represent the part in question exactly.
 - The indications "right" - "left" - "front" - "rear" refer to the position of the operator when using the machine.
- When placing orders of parts for repair and/or replacement, make sure that the illustrated parts list is the one applying to the machine's year of manufacture, as shown on the identification plate attached to the machine.

© Copyright 2004 Global Garden Products

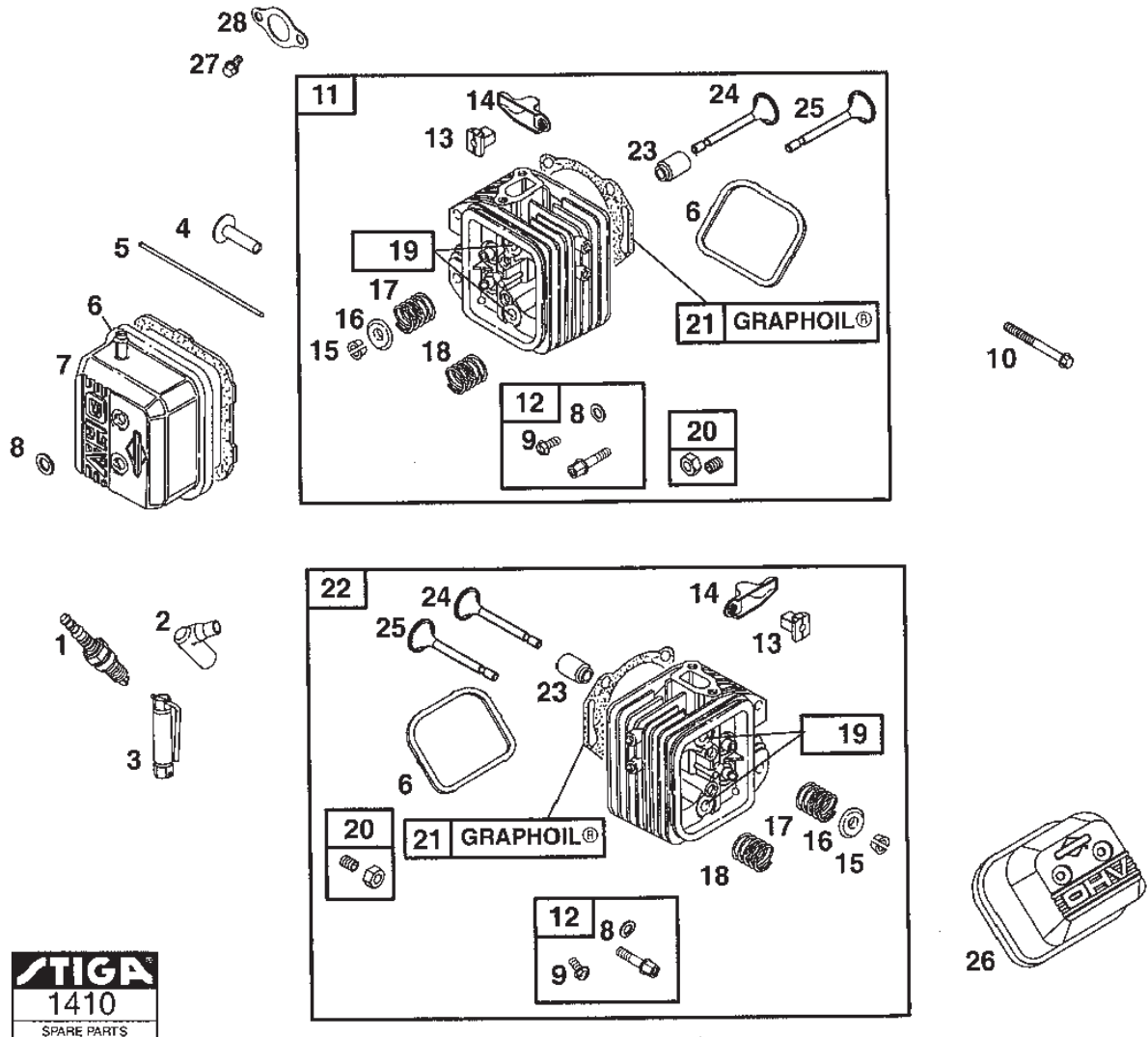
All rights reserved. No part of this material may be reproduced or transmitted, in any form or by any means, electronic or mechanical, including photocopying, recording or by any information storage and retrieval system, without permission in writing from GLOBAL GARDEN PRODUCTS.

www.stiga.com

A

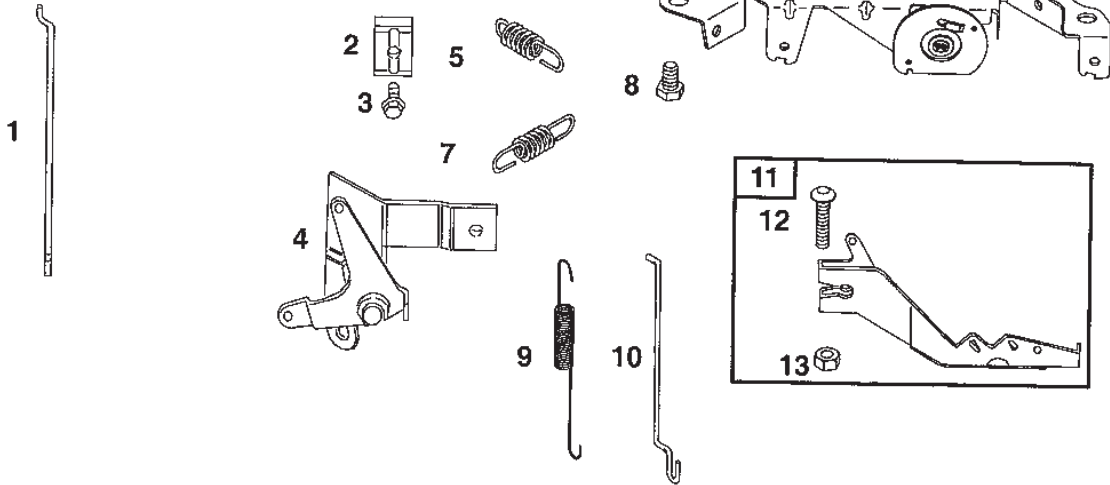


B

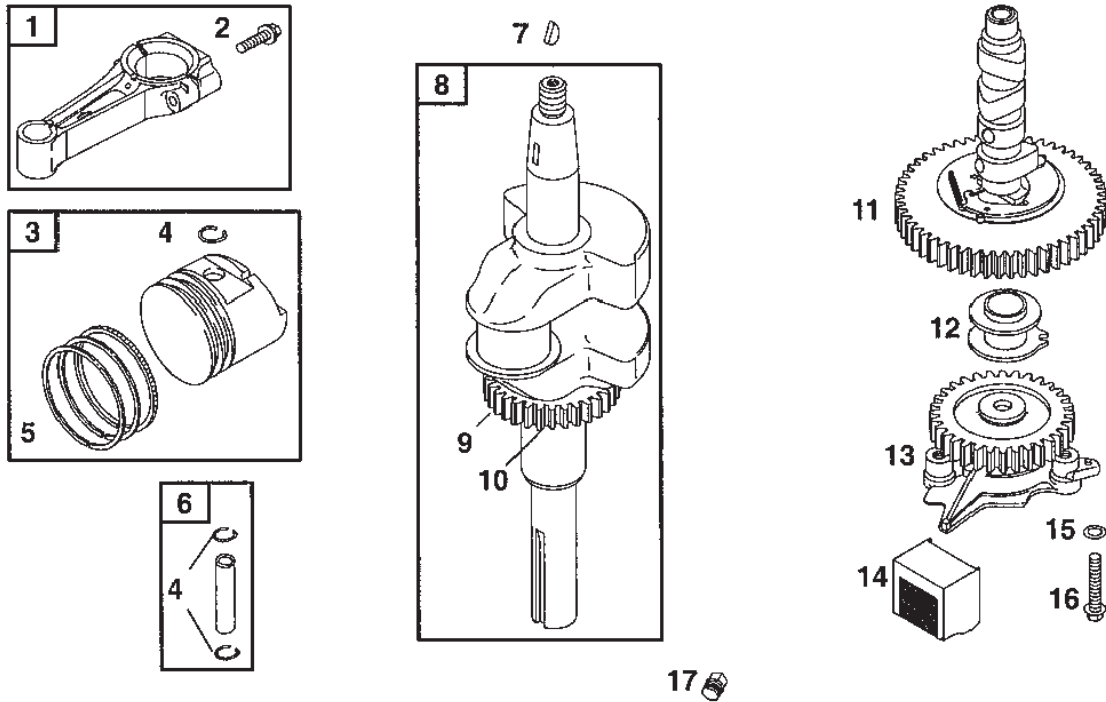


Utgåva Issue 20 - 2015		Kapor (A) Topplöck (B)		Covers (A) Cylinder Head (B)	
Pos. Fig.	Antal Q.ty	Art nr Part No	Benämning	Description	Anmärkning Notes
1	1	690902	Back plate	Back plate	
1	2	9400-0244-00	Tändstift	Spark Plug	
2	2	692067	Skruv	Screw	
2	2	692076	Spark plug boot	Spark plug boot	
3	2	690706	Bricka	Washer	
3	1	19374	Hylsnyckel	Spark plug wrench	
4	1	806547	Ventilkapa kpl	Cylinder Head Cover	Cylinder #1
4	4	690977	Valve tappet	Valve tappet	
5	1	690688	Skruv	Screw	
5	4	691758	Stötstang (alum)	Push rod (alum)	
5	4	691836	Stötstang (stal)	Push rod (steel)	
5	4	691758	Stötstang (alum)	Push rod (alum)	
5	4	691836	Stötstang (stal)	Push rod (steel)	
6	1	692539	Skruv	Screw	
6	2	806039	Packning	Gasket	
7	1	691551	Bricka	Washer	
7	1	691558	Cover	Cover	
8	1	690714	Startdrevsskydd	Starter drive Cover	
8	4	807085	Bricka	Washer	
9	1	806546	Ventilkapa kpl	Cylinder Head Cover	Cylinder #2
9	4	807084	Skruv	Screw	
10	1	690750	Luftplat	Air guide cover	
10	8	692059	Skruv	Screw	
11	2	807163	Skruv	Screw	
11	1	809200	Topplöck	Cylinder Head	Cylinder 1
12	2	809157	Stud	Stud	
13	2	690973	Vipparmsstyrning	Rocker arm pivot	
13	4	690973	Vipparmsstyrning	Rocker arm pivot	
14	2	691543	Vipparm	Rocker arm	
14	4	691543	Vipparm	Rocker arm	
15	4	807683	Retainer	Retainer	
16	4	692058	Valve retainer	Valve retainer	
17	2	692084	Valve spring	Valve spring	
18	2	692084	Valve spring	Valve spring	
19	4	692057	Bussning	Bushing	
20	4	807623	Skruv	Screw	
21	2	806085	Packning	Gasket	
22	1	809201	Topplöck	Cylinder Head	Cylinder 2
23	4	691963	Seal	Seal	
24	2	807680	Insugningsventil	Intake valve	
25	2	807681	Exhaust valve	Exhaust valve	
26	1	691494	Ventilkapa	Rocker arm cover	
27	4	691902	Skruv	Screw	
28	2	691613	Packning	Gasket	

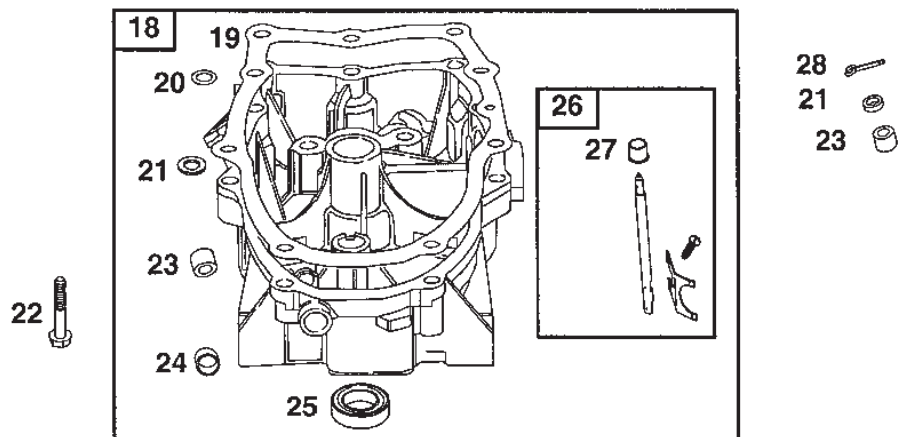
A



B

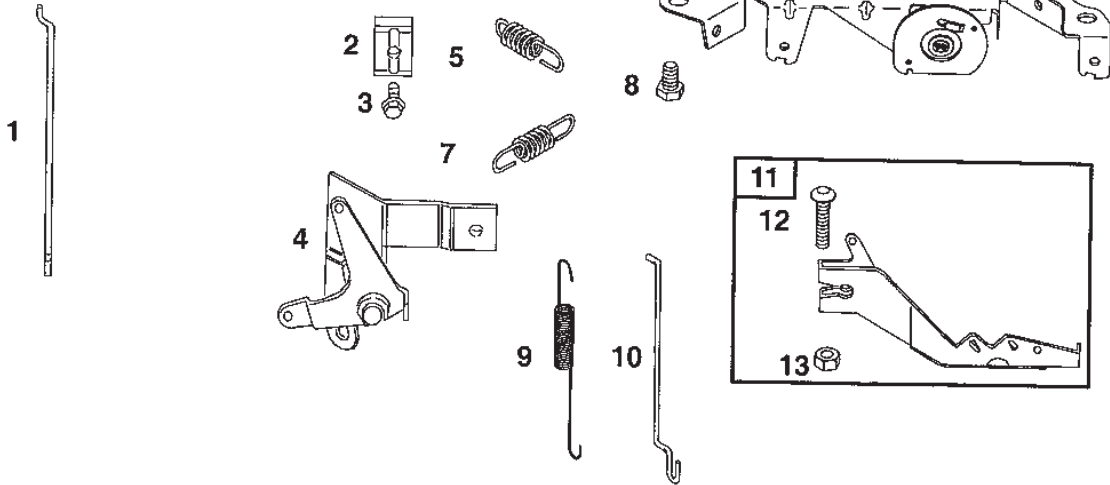


17

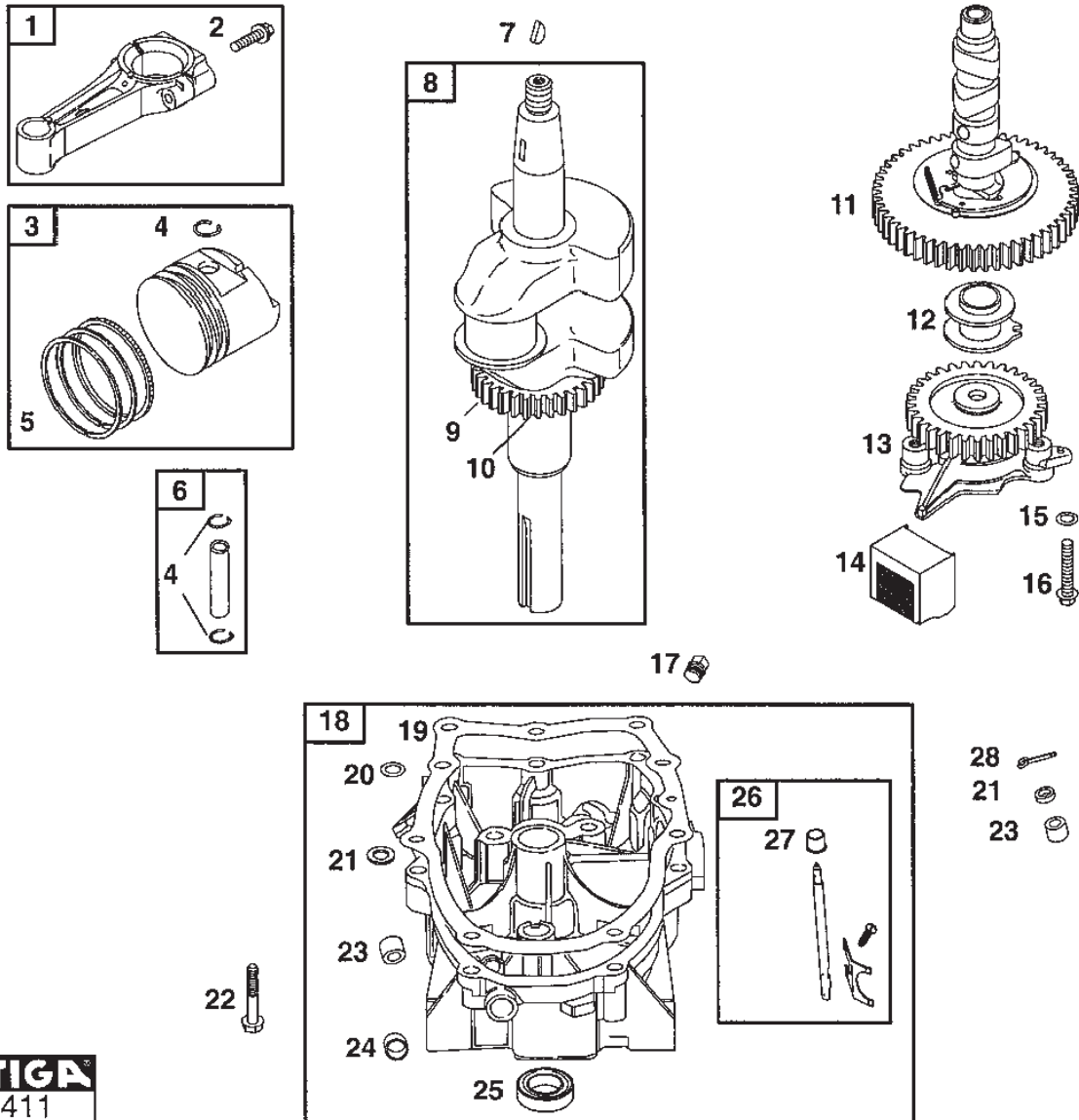


Utgåva Issue 20 - 2015		Regulator (A) Vevaxel (B)		Governor (A) Crankshaft (B)	
Pos. Fig.	Antal Q.ty	Art nr Part No	Benämning	Description	Anmärkning Notes
1	1	690705	Choke link	Choke link	
1	2	807803	Connecting Rod	Connecting Rod	.020" undersize
1	2	807900	Connecting Rod	Connecting Rod	Standard
1	2	807803	Connecting Rod	Connecting Rod	.020" undersize
1	2	807900	Connecting Rod	Connecting Rod	Standard
2	1	691024	Clamp	Clamp	
2	4	690698	Skruv	Screw	
3	1	692083	Skruv	Screw	
3	2	807619	Kolv	Piston	Standard
3	2	807807	Kolv	Piston	.010" oversize
3	2	807809	Kolv	Piston	.020" oversize
3	2	807811	Kolv	Piston	.030" oversize
3	2	807619	Kolv	Piston	Standard
3	2	807807	Kolv	Piston	.010" oversize
3	2	807809	Kolv	Piston	.020" oversize
3	2	807811	Kolv	Piston	.030" oversize
4	1	690923	Bell crank	Bell crank	
4	4	690683	Lasring	Piston Pin	
5	1	692069	Fjäder	Spring	
5	2	807620	Ring set	Ring set	Standard
5	2	807808	Ring set	Ring set	.010" oversize
5	2	807810	Ring set	Ring set	.020" oversize
5	2	807812	Ring set	Ring set	.030" oversize
5	2	807620	Ring set	Ring set	Standard
5	2	807808	Ring set	Ring set	.010" oversize
5	2	807810	Ring set	Ring set	.020" oversize
5	2	807812	Ring set	Ring set	.030" oversize
6	1	808454	Governor bracket	Governor bracket	
6	2	807621	Kolvsprint	Piston Pin	
7	1	691508	Fjäder	Spring	
7	1	808095	Kil	Key	
8	2	692056	Skruv	Screw	
8	1	692159	Crankshaft	Crankshaft	
9	1	692073	Fjäder	Spring	
9	1	691530	Timing gear	Timing gear	
10	1	690712	Gasreglagelänk	Throttle Rod	
10	1	691639	Kil	Key	
11	1	690236	Reglagearm	Lever	
11	1	691557	Kamaxel	Camshaft	
12	1	690239	Bult	Bolt	
12	1	690689	Governor spool	Governor spool	
13	1	690238	Mutter	Nut	
13	1	693186	Oil pump	Oil pump	
14	1	690878	Oil pump screen	Oil pump screen	
15	2	690681	O-ringstättning	O-ring seal	
16	2	691492	Skruv	Screw	
17	1	690946	Oil drain plug	Oil drain plug	
18	1	808846	Vevhus kpl	Engine sump assy	
19	1	691684	Packning	Gasket	

A

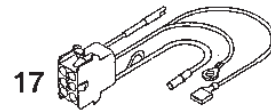
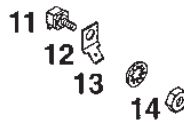
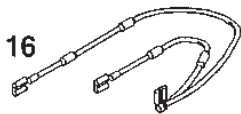
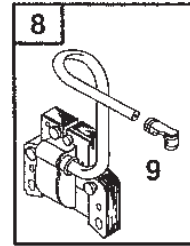
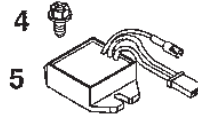
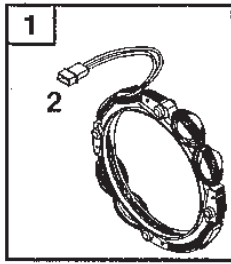


B

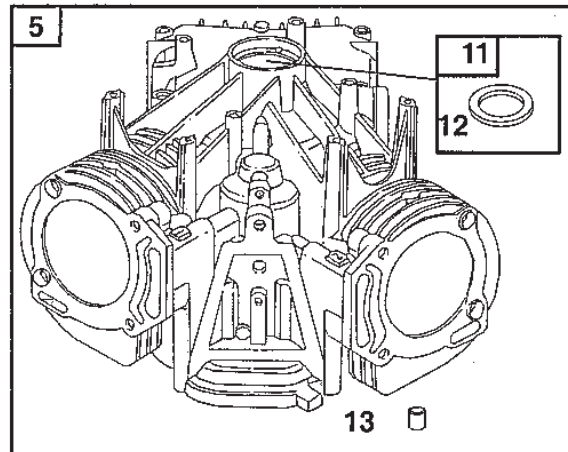
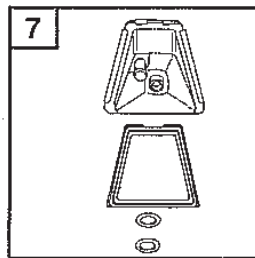
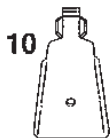
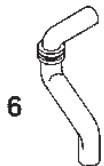
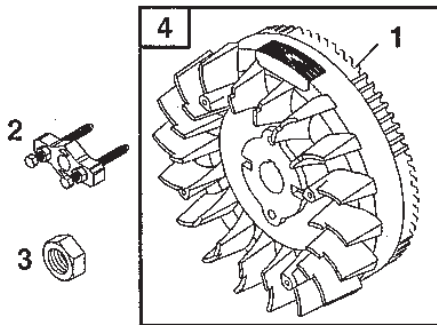


Utgåva Issue 20 - 2015		Regulator (A) Vevaxel (B)		Governor (A) Crankshaft (B)	
Pos. Fig.	Antal Q.ty	Art nr Part No	Benämning	Description	Anmärkning Notes
20	1	692154	Seal o-ring	Seal o-ring	
21	1	690680	Tätning	Gov. shaft seal	
22	9	692540	Skruv	Screw	
23	1	690701	Bussning	Bushing	
24	1	690704	Bricka	Washer	
25	1	805049	Oil seal	Oil seal	
26	1	806685	Governor crank	Governor crank	
27	1	806686	Bussning	Bushing	
28	1	691550	Hallare	Gov. shaft retainer	

A

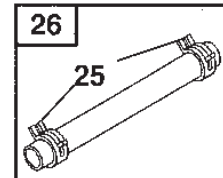
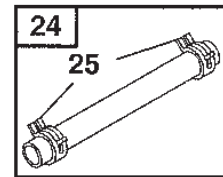
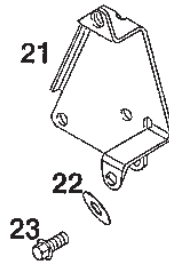
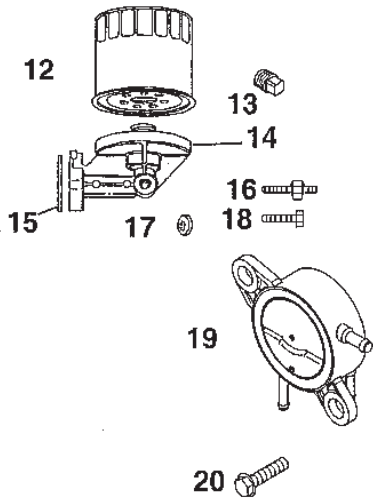
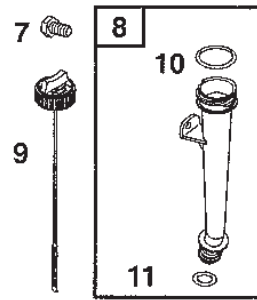
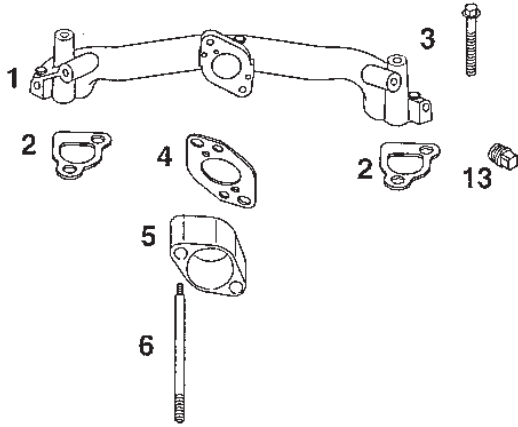


B

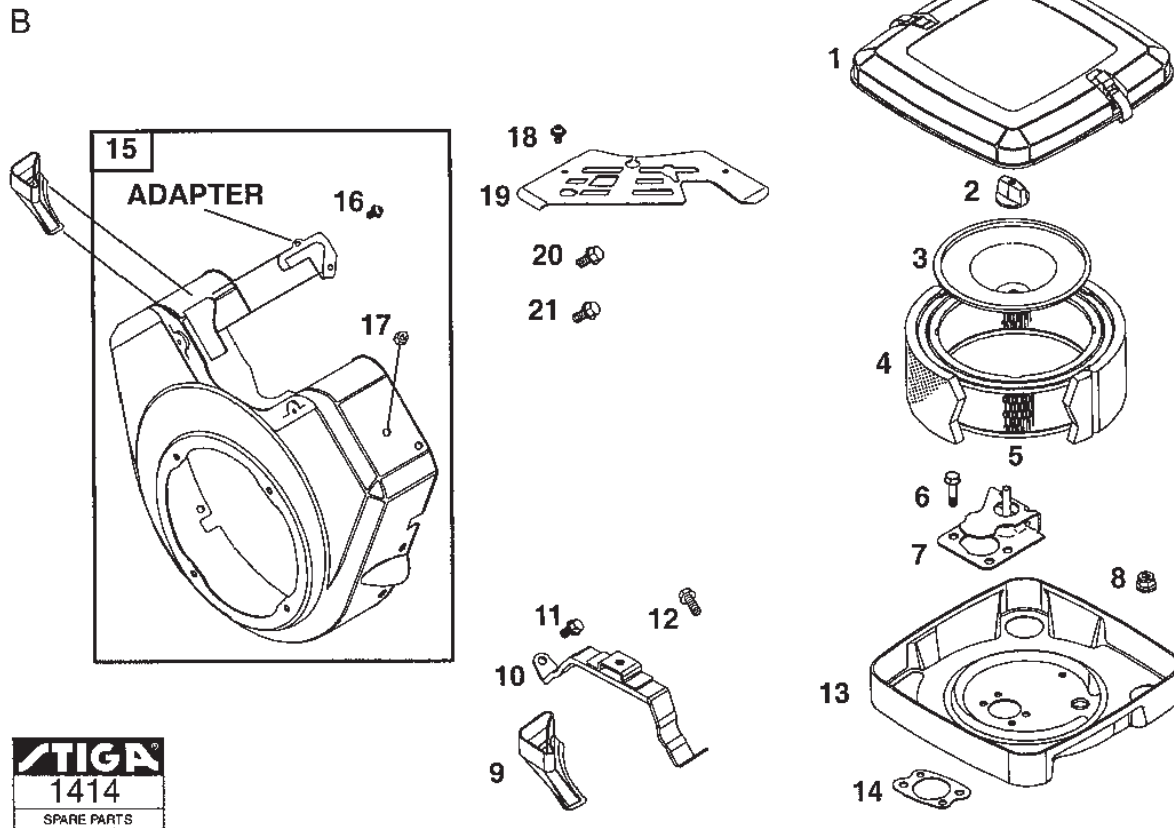
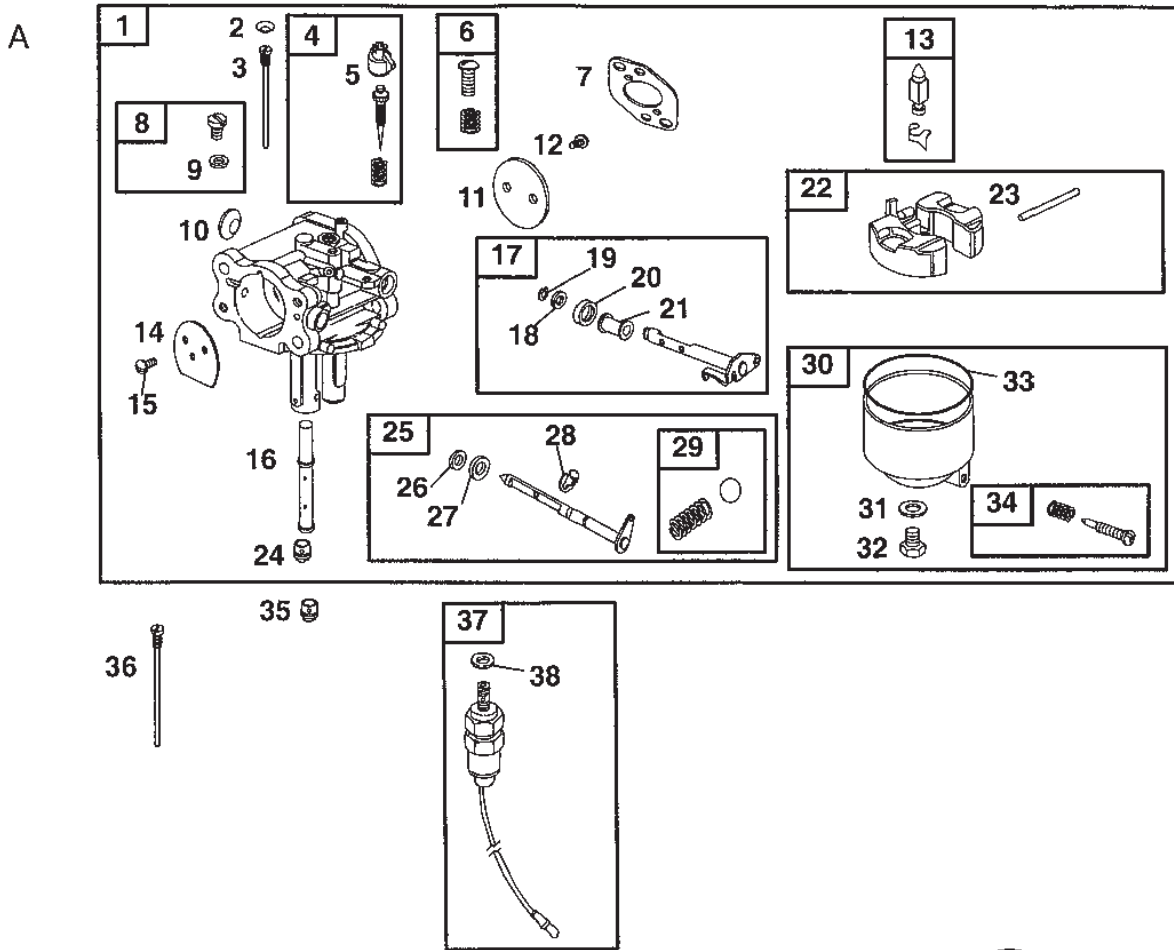


Utgåva Issue 20 - 2015		Tändning (A) Cylinder (B)		Ignition (A) Cylinder (B)	
Pos. Fig.	Antal Q.ty	Art nr Part No	Benämning	Description	Anmärkning Notes
1	1	696458	Generator	Alternator	
2	1	399916	Connector	Connector	
2	1	19203	Avdragare	Puller	
3	4	691552	Skruv	Screw	
3	1	690887	Mutter	Nut	
4	2	692067	Skruv	Screw	
4	1	808766	Flywheel	Flywheel	Inkl. pos 1
5	1	691185	Regulator	Regulator	
5	1	692543	Cylinder kpl	Cylinder Assy	
6	1	690744	Gummihylsa	Grommet	
6	1	806083	Breather Tube	Breather Tube	
7	2	692066	Skruv	Screw	
7	1	808988	Vevhusventilation	Breather	
8	1	492341	Armature magneto	Armature magneto	
8	1	690751	Skruv	Screw	
9	1	493880	Terminal	Terminal	
10	1	280275	Cable tie	Cable tie	
10	1	690686	Breather baffle	Breather baffle	
11	1	691972	Isolator	Insulator	
11	1	808534	Bussning	Bushing	
12	1	691084	Ground terminal	Ground terminal	
12	1	805101	Oil seal	Oil seal	
13	1	691077	Bricka	Washer	
13	2	806469	Stift	Pin	
14	1	691612	Mutter	Nut	
15	1	690586	Wire clip	Wire clip	
16	1	692319	Kabel	Wire	
17	1	698332	Kabelhärva	Wiring harness	

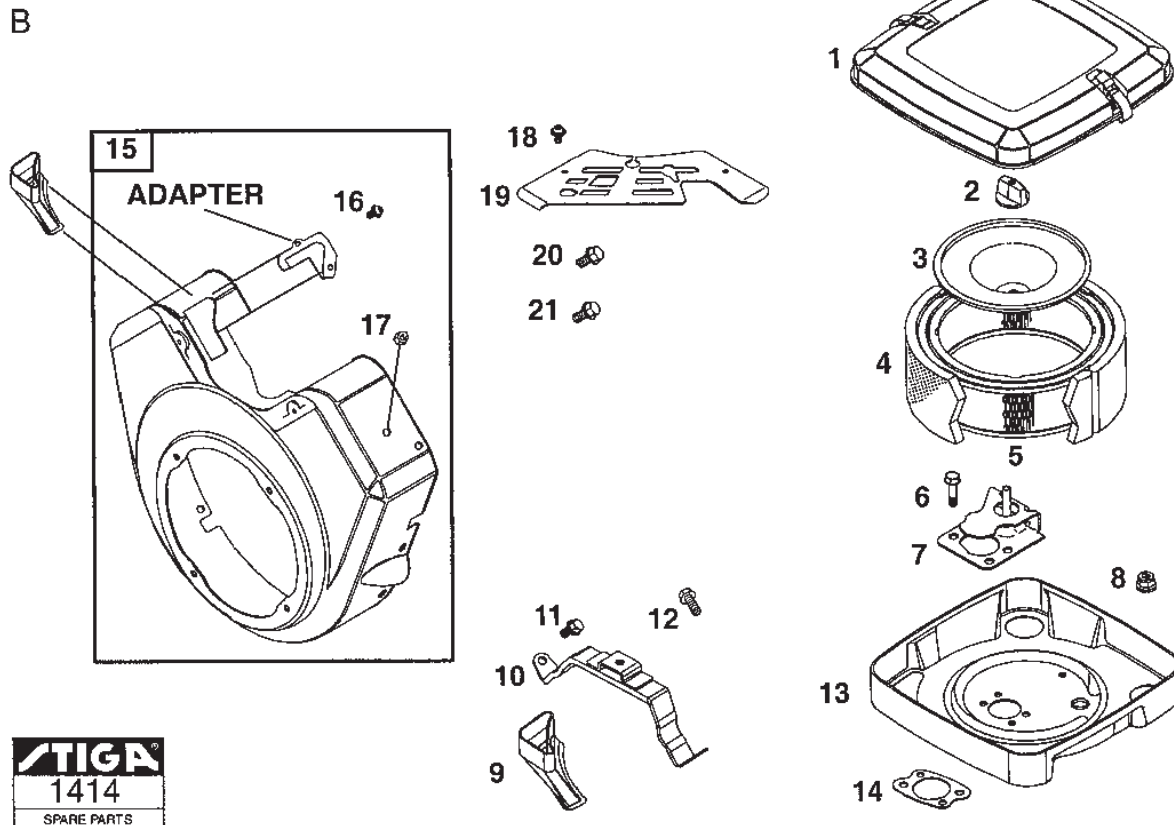
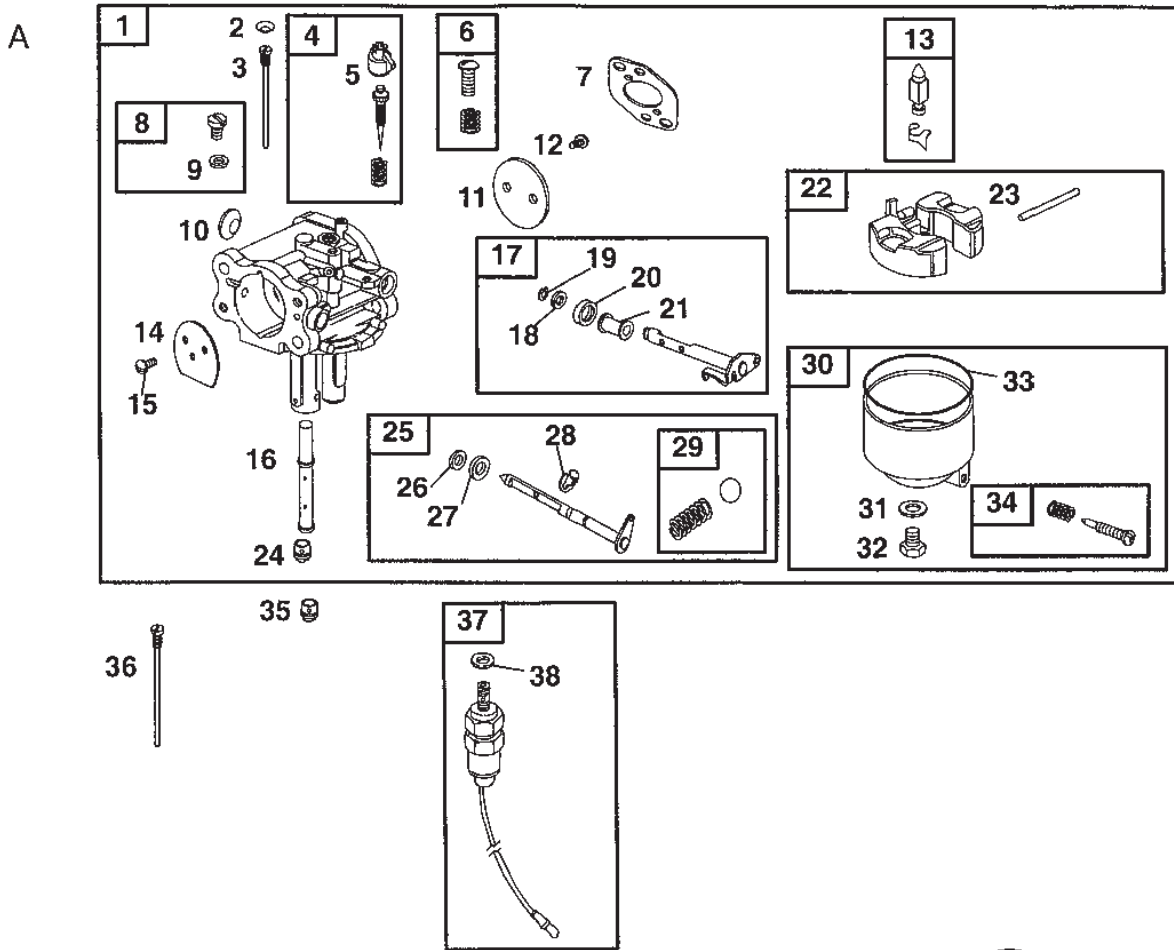
A



Utgåva Issue 20 - 2015		Insugningsrör (A) Smörjning (A)		Intake Manifold (A) Lubrication (A)	
Pos. Fig.	Antal Q.ty	Art nr Part No	Benämning	Description	Anmärkning Notes
1	1	690754	Insugningsrör	Intake Manifold	
2	2	692035	Packning	Gasket	
3	2	690676	Skruv	Screw	
4	1	691694	Packning	Gasket	
5	1	690753	Distans	Spacer	
6	2	690746	Stud	Stud	
7	1	807084	Skruv	Screw	
8	1	692093	Oil dipstick tube	Oil dipstick tube	
9	1	692101	Oil dipstick	Oil dipstick	
10	1	691870	Seal	Seal	
11	1	692053	Seal	Seal	
12	1	492932	Oljefilter	Oil Filter	
13	1	690283	Oil drain plug	Oil drain plug	
14	1	808235	Oljefilteradapter	Oil filter adapter	
15	1	692063	Packning	Gasket	
16	1	690682	Stud	Stud	
17	1	690706	Bricka	Washer	
18	1	690679	Skruv	Screw	
19	1	808656	Fuel pump	Fuel pump	
20	2	807084	Skruv	Screw	
21	1	691559	Fuel pump bracket	Fuel pump bracket	
22	2	806497	Bricka	Washer	
23	2	806660	Skruv	Screw	
24	1	691050	Fuel line	Fuel line	
25	4	691038	Slangklämma	Hose clamp	
26	1	393815	Bränsleledning	Fuel line	
28	1	691035	Bränslefilter	Fuel Filter	

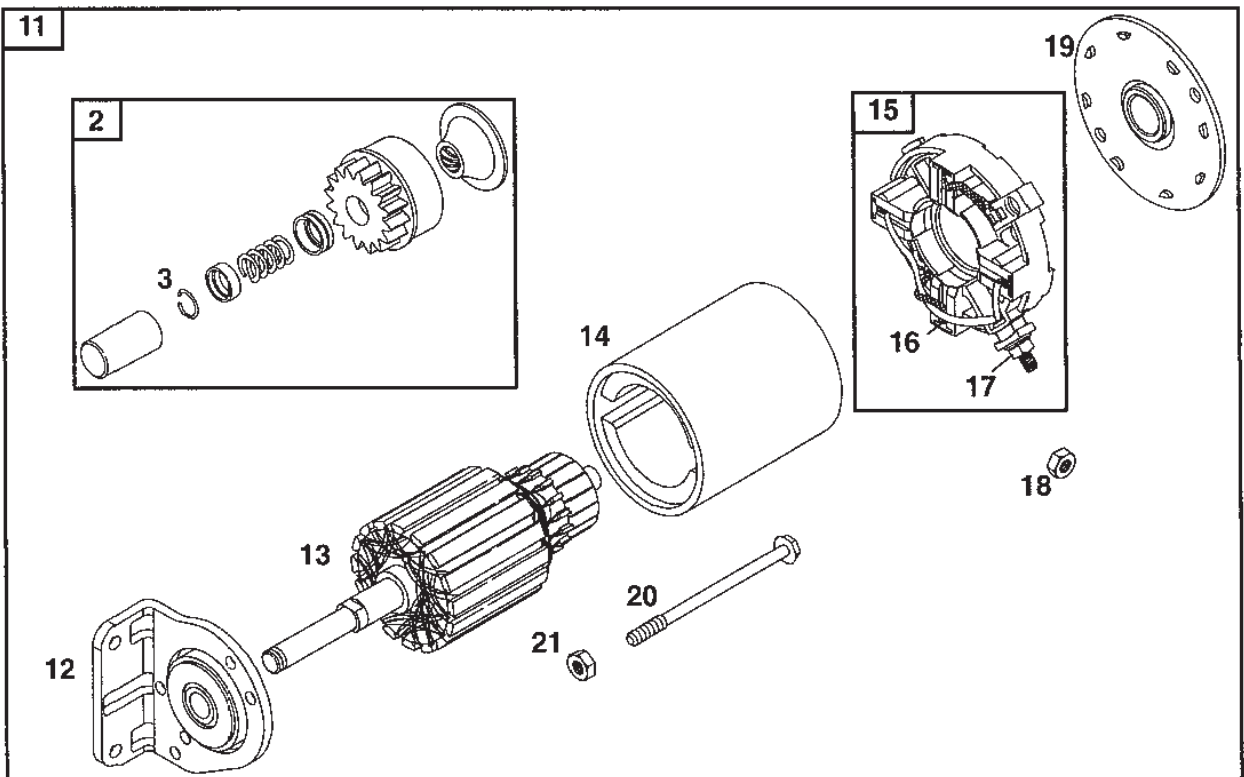
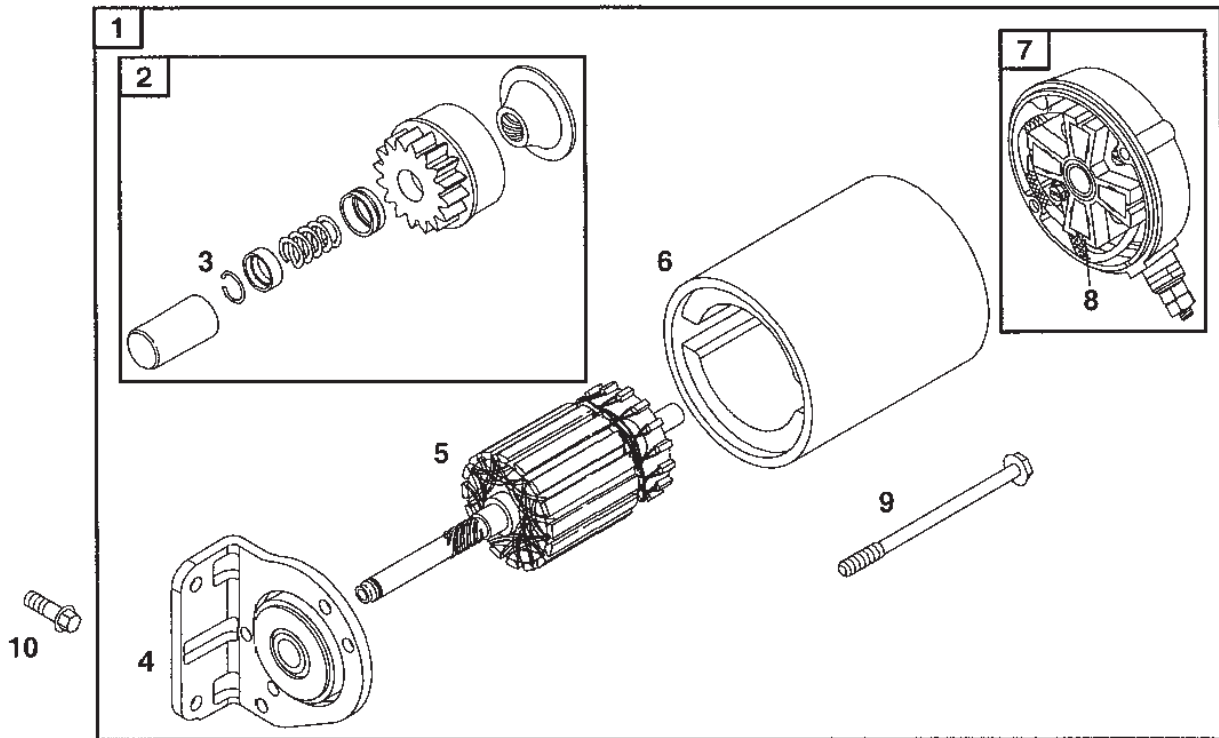


Utgåva Issue 20 - 2015		Förgasare (A) Luftfilter (B)		Carburettor (A) Air Cleaner (B)	
Pos. Fig.	Antal Q.ty	Art nr Part No	Benämning	Description	Anmärkning Notes
1	1	808728	Förgasare kpl	Carburettor Assy	
1	1	692097	Cover	Cover	
2	1	690731	Welch plug	Welch plug	
2	1	691985	Lasratt	Knob	
3	1	806488	Tube jet	Tube jet	
3	1	692079	Retainer	Retainer	
4	1	808258	Justerskruv	Idle valve	
4	1	272490	Förfilter	Pre cleaner filter	
5	1	691515	Begränsningshuv	Limiter cap	
5	1	394018	Air cleaner cartridge	Air cleaner cartridge	
6	1	807705	Skruv	Screw	
6	2	807084	Skruv	Screw	
7	1	691694	Packning	Gasket	
7	1	691577	Shield	Shield	
8	1	807714	Plugg	Plug and seal	
8	2	690939	Mutter	Nut	
9	1	806477	Bricka	Washer	
9	1	690743	Luftkanal	Air Duct	
10	1	690730	Welch plug	Welch plug	
10	1	692542	Strap	Strap	
11	1	690732	Gasspjäll	Throttle Valve	
11	1	692539	Skruv	Screw	
12	2	690728	Skruv	Screw	
12	1	806944	Skruv	Screw	
13	1	807706	Fuel inlet valve	Fuel inlet valve	
13	1	691561	Luftfilterbas	Air Cleaner Base	
14	1	690729	Choke valve	Choke valve	
14	1	692081	Packning	Gasket	
15	2	690728	Skruv	Screw	
15	1	808055	Blower housing	Blower housing	
16	1	806635	Nozzle	Nozzle	
16	1	93410	Skruv	Screw	
17	1	808323	Spjällsaxeln	Throttle Shaft	
17	1	710081	Mutter	Nut	
18	1	690735	Bricka	Washer	
18	2	690677	Skruv	Screw	
19	1	690736	Retaining ring	Retaining ring	
19	1	690757	Förgasarkapa	Carburettor Cover	
20	1	691548	Seal	Seal	
20	1	692056	Skruv	Screw	
21	1	690733	Distans	Spacer	
21	1	692062	Skruv	Screw	
22	1	807710	Flottör	Float	
23	1	690739	Flottöraxel	Hinge pin	
24	1	806487	Huvudmunstycke	Main jet	
25	1	807711	Choke shaft	Choke shaft	
26	1	690738	Seal	Seal	
27	1	690737	Distans	Spacer	
28	1	805578	Retainer	Retainer	



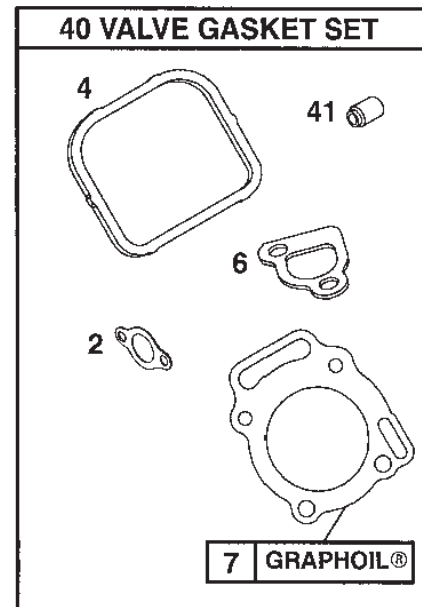
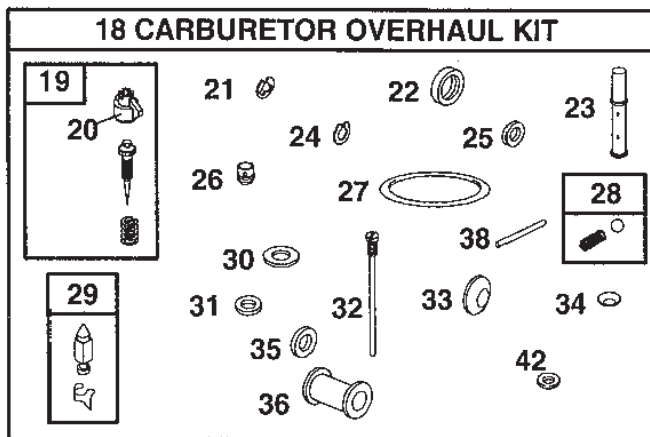
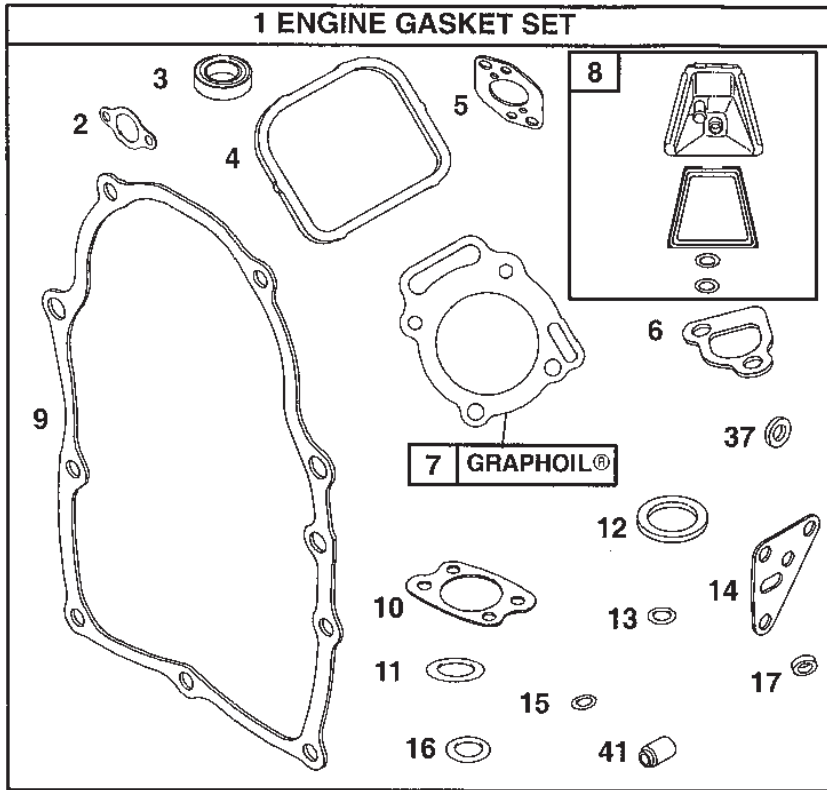
Utgåva Issue 20 - 2015		Förgasare (A) Luftfilter (B)		Carburettor (A) Air Cleaner (B)	
Pos. Fig.	Antal Q.ty	Art nr Part No	Benämning	Description	Anmärkning Notes
29	1	807717	Kula	Ball	
30	1	807715	Bowl	Bowl	
31	1	692343	Bricka	Washer	
32	1	691511	Skruv	Screw	
33	1	806481	Packning	Gasket	
34	1	807713	Dräneringsskruv	Drain	
35	1	806634	Huvudmunstycke	Main jet	Hög höjd/high altitud
36	1	694069	Tube jet	Tube jet	Hög höjd/high altitud
37	1	806472	Fuel solenoid	Fuel solenoid	
38	1	806476	Bricka	Washer	

A

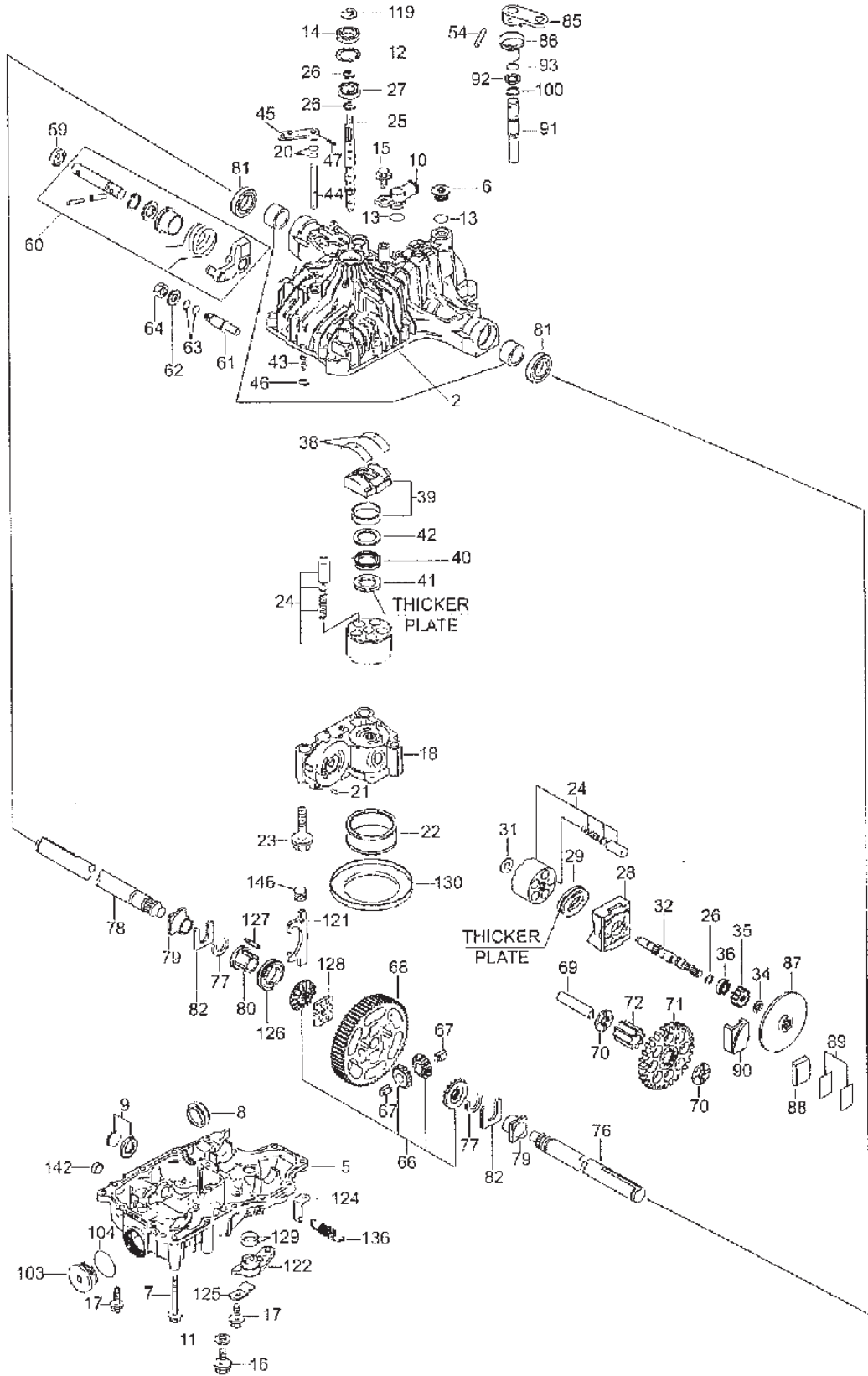


Utgåva Issue 20 - 2015		Startmotor (A)		Starter Motor (A)	
Pos. Fig.	Antal Q.ty	Art nr Part No	Benämning	Description	Anmärkning Notes
1	1	691564	Starter motor	Starter motor	Also replaces pos 11
2	1	496881	Startdrev	Starter Drive	
3	1	691124	Retaining ring	Retaining ring	
4	1	808778	Lock	Drive cap	
5	1	690855	Starter armature	Starter armature	
6	1	690854	Starter housing	Starter housing	
7	1	496813	Botten	End Cap	
8	1	496887	Brush set	Brush set	
9	2	496880	Bult	Bolt	
10	2	692062	Skruv	Screw	
12	1	808777	Lock	Drive cap	
13	1	693548	Armature	Armature	
14	1	693547	Starter housing	Starter housing	
15	1	691293	Brush retainer	Brush retainer	
16	1	497608	Brush set	Brush set	
17	1	693167	Mutter	Nut	
18	1	691029	Mutter	Nut	
19	1	691286	Botten	End Cap	
20	2	690323	Bult	Bolt	
21	2	693587	Mutter	Nut	

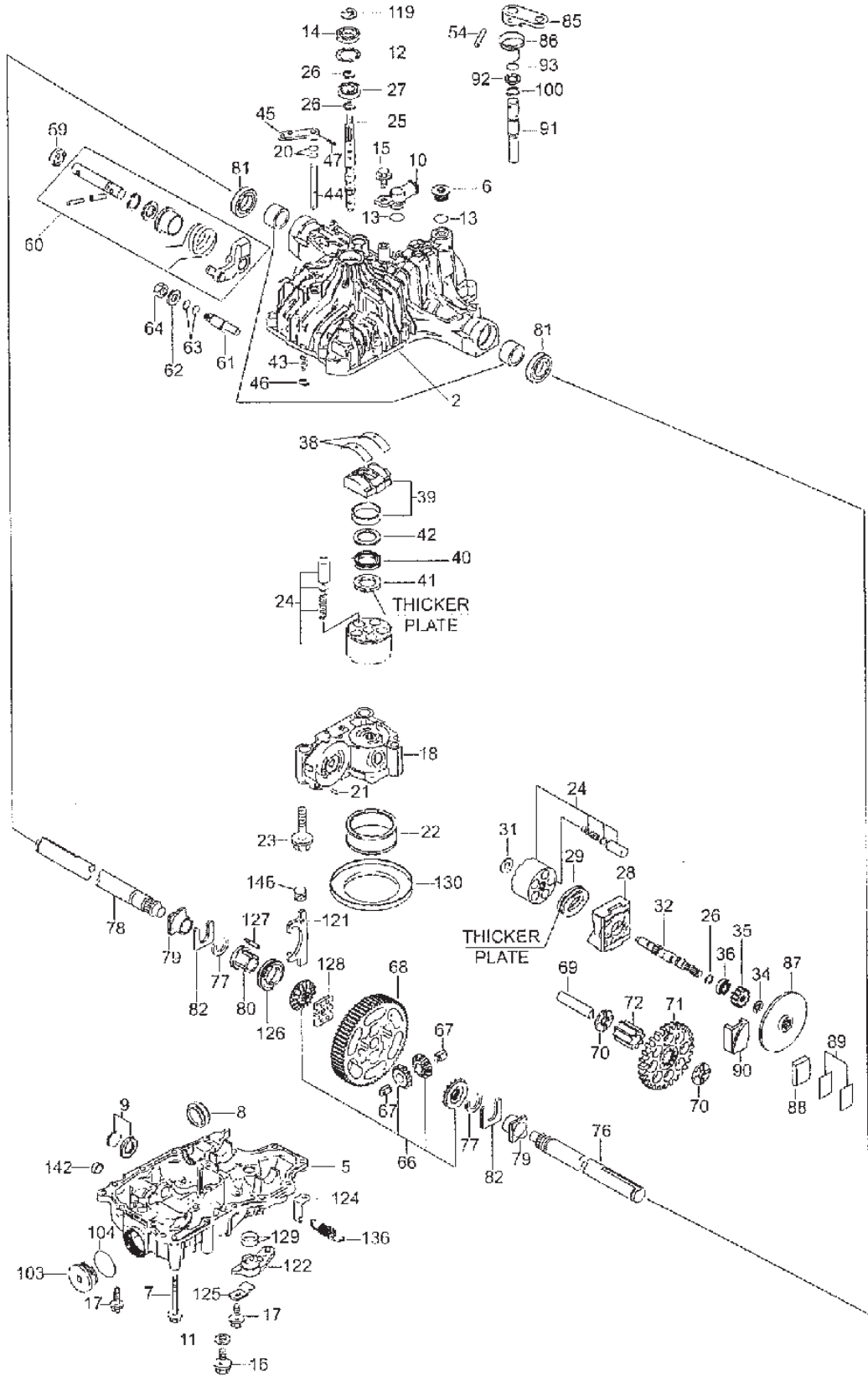
A



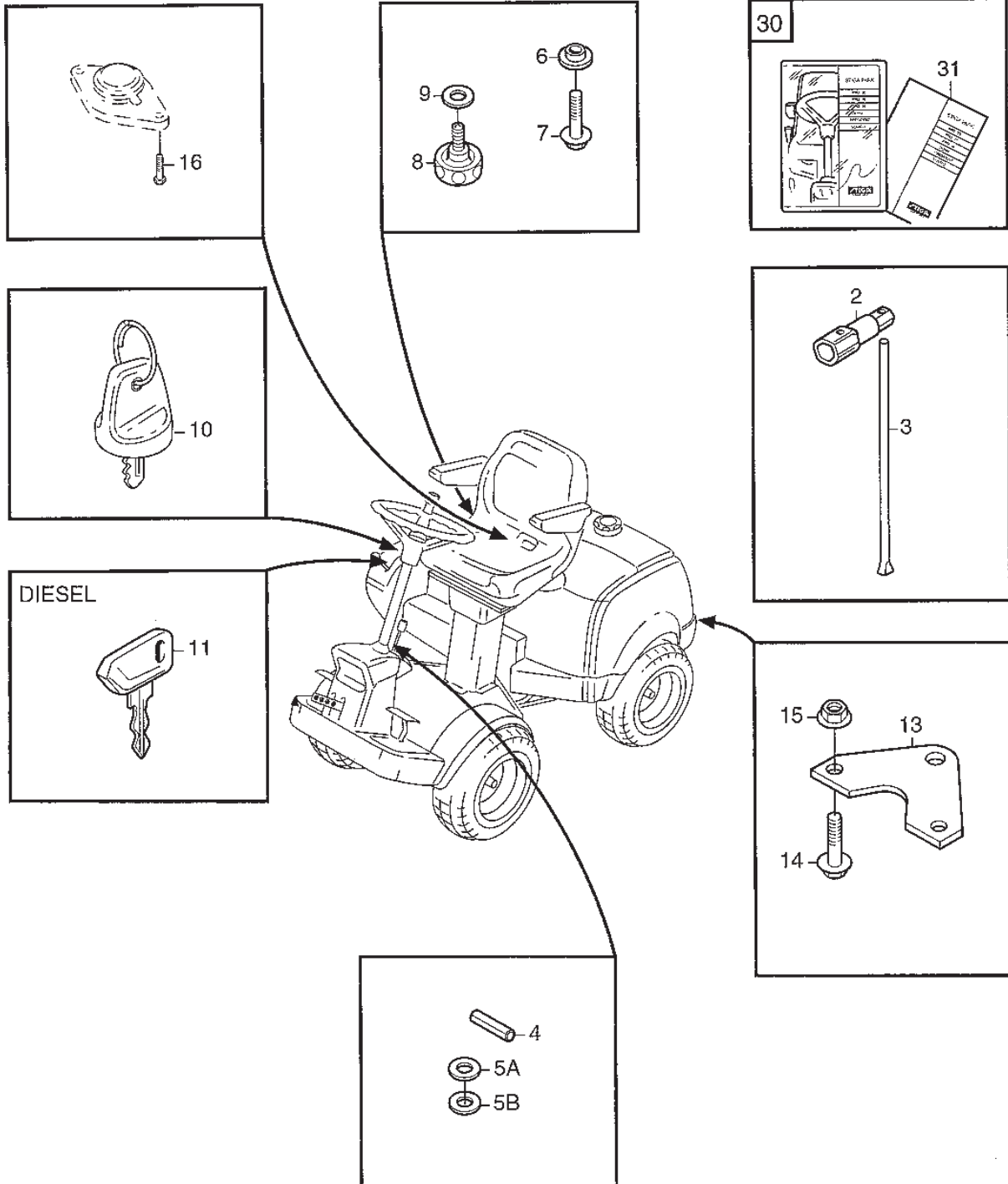
Utgåva Issue 20 - 2015		Packningssats (A)		Gasket Set (A)	
Pos. Fig.	Antal Q.ty	Art nr Part No	Benämning	Description	Anmärkning Notes
1	1	808390	Packningssats-motor	Gasket set-engine	
2	1	691613	Packning	Gasket	
3	1	805049	Oil seal	Oil seal	
4	1	806039	Packning	Gasket	
5	1	691694	Packning	Gasket	
6	1	692035	Packning	Gasket	
7	1	806085	Packning	Gasket	
8	1	809094	Packning	Gasket	
9	1	691684	Packning	Gasket	
10	1	692081	Packning	Gasket	
11	1	691870	Seal	Seal	
12	1	805101	Oil seal	Oil seal	
13	1	690681	O-ringstätning	O-ring seal	
14	1	692063	Packning	Gasket	
15	1	692053	Seal	Seal	
16	1	692154	Seal o-ring	Seal o-ring	
17	1	690680	Tätning	Gov. shaft seal	
18	1	808807	Carb.overhaul kit	Carb.overhaul kit	
19	1	808258	Justerskruv	Idle valve	
20	1	691515	Begränsningshuv	Limiter cap	
21	1	805578	Retainer	Retainer	
22	1	691548	Seal	Seal	
23	1	806635	Nozzle	Nozzle	
24	1	690736	Retaining ring	Retaining ring	
25	1	690738	Seal	Seal	
26	1	806487	Huvudmunstycke	Main jet	
27	1	806481	Packning	Gasket	
28	1	807717	Kula	Ball	
29	1	807706	Fuel inlet valve	Fuel inlet valve	
30	1	692343	Bricka	Washer	
31	1	806477	Bricka	Washer	
32	1	806488	Tube jet	Tube jet	
33	1	690730	Welch plug	Welch plug	
34	1	690731	Welch plug	Welch plug	
35	1	690735	Bricka	Washer	
36	1	690733	Distans	Spacer	
37	1	690680	Tätning	Gov. shaft seal	
38	1	690739	Flottöraxel	Hinge pin	
39	1	808325	Packningssats-Förgasare	Gasket set-carb.	
40	1	808392	Packningssats-motor	Gasket set-valve	
41	1	691963	Seal	Seal	
42	1	806476	Bricka	Washer	



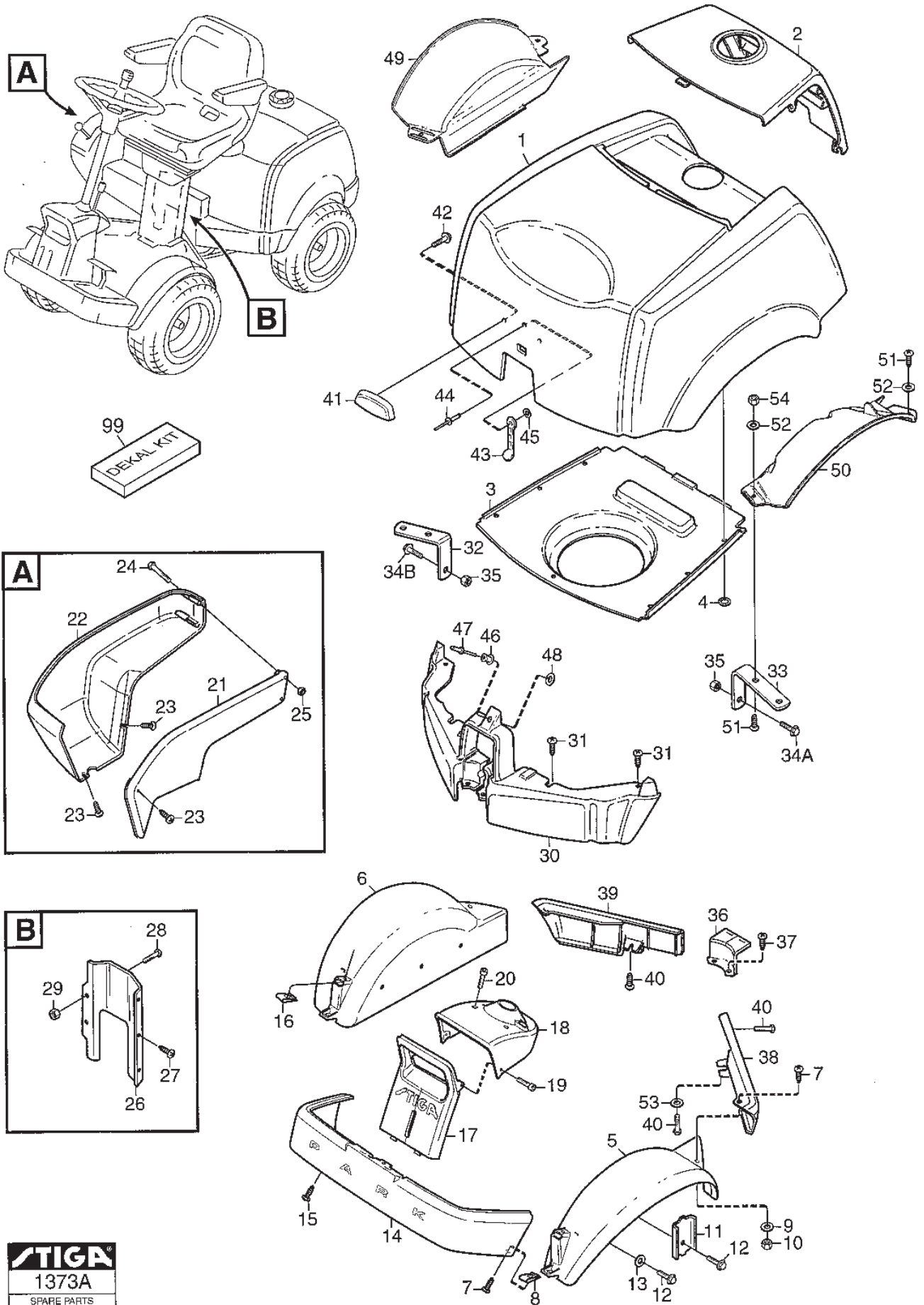
Utgåva Issue 20 - 2015		Kanzaki Transaxel K62E		Kanzaki Transaxle K62E	
Pos. Fig.	Antal Q.ty	Art nr Part No	Benämning	Description	Anmärkning Notes
2	1	1139-1169-01	Övre Hus Kpl	Upper Case Cmp	/K62E
5	1	1139-1212-01	Nedre Hus	Lower Housing	/K62E
6	1	1139-1171-01	OljePlugg	Oil Cap	/K62E
7	5	1139-1006-01	Bult	Bolt	/K62E
8	1	1139-1172-01	Filter	Filter	/K62E
9	1	1139-1057-01	Magnet Kpl	Magnet Assy	/K62E
10	1	1139-1179-01	Nippel	Fitting	/K62E
11	2	1139-1277-01	Bricka	Washer	/K62E
12	1	1139-1104-01	Lasring	Snap Ring	/K62E
13	2	1139-1116-01	O-Ring	O-Ring	/K62E
14	1	1139-1119-01	Tätning	Seal 15*35*7	/K62E
15	1	1139-1124-01	Bult	Bolt	/K62E
16	2	1139-1292-01	Bult	Bolt	/K62E
17	12	1139-0244-01	Skruv	Screw	/K62E
18	1	1139-1173-01	Centrumhus Kpl	Center Case Cmp	/K62E
20	2	1139-1117-01	O-Ring	O-Ring	/K62E
21	1	1139-1158-01	Stift	Pin	/K62E
22	1	1139-1147-01	Filter	Filter	/K62E
23	3	1139-1293-01	Bult	Bolt	/K62E
24	2	1139-1139-01	Cylinderblock Kpl	Cylinder Block Assy	/K62E
25	1	1139-1181-01	Pumpaxel	Pump Shaft	/K62E
26	3	1139-1021-01	Lasring	Snap Ring	/K62E
27	1	1139-1110-01	Kullager	Ball Bearing	/K62E
28	1	1139-1170-01	Hus	Housing	/K62E
29	1	1139-1005-01	Axiallager	Thrust Bearing	/K62E
31	1	1139-1160-01	Bricka	Washer	/K62E
32	1	1139-1182-01	Motoraxel	Motor Shaft	/K62E
34	1	1139-1183-01	Lasring	E-Ring	/K62E
35	1	1139-1216-01	Motordrev	Motor Gear	/K62E
36	1	1139-1287-01	Kullager	Ball Bearing	/K62E
38	2	1139-1022-01	Tryckplatta	Metal Thrust	/K62E
39	1	1139-1187-01	Stänkplatta	Swash Plate Cmp	/K62E
40	1	1139-1024-01	Lager	Bearing	/K62E
41	1	1139-1145-01	Tryckbricka	Thrust Plate	/K62E
42	1	1139-1026-01	Tryckplatta	Thrust Plate	/K62E
43	1	1139-1347-01	Fjäder	Spring	/K62E
44	1	1139-1188-01	By-Passaxel	By-Pass Shaft	/K62E
45	1	1139-1189-01	Arm	By-Pass Lever	/K62E
46	1	1139-1161-01	Lasring	Ring	/K62E
47	1	1139-1280-01	Stift	Pin	/K62E
54	1	1139-1285-01	Stift	Pin	/K62E
59	1	1139-1165-01	Tätningring	Seal Ring	/K62E
60	1	1139-1191-01	Regleraxel Kpl	Control Shaft Cmp	/K62E
61	1	1139-1190-01	Vridcentrum	Fulcrum (Eccentricity)	/K62E
62	1	1139-1102-01	Bricka	Washer	/K62E
63	2	1139-1115-01	O-Ring	O-Ring	/K62E
64	1	1139-1127-01	Mutter	Nut	/K62E
66	1	1139-1201-01	Differentialdrevsats	Diff.Gear Kit	/K62E
67	2	1139-1203-01	Stift	Pin	/K62E



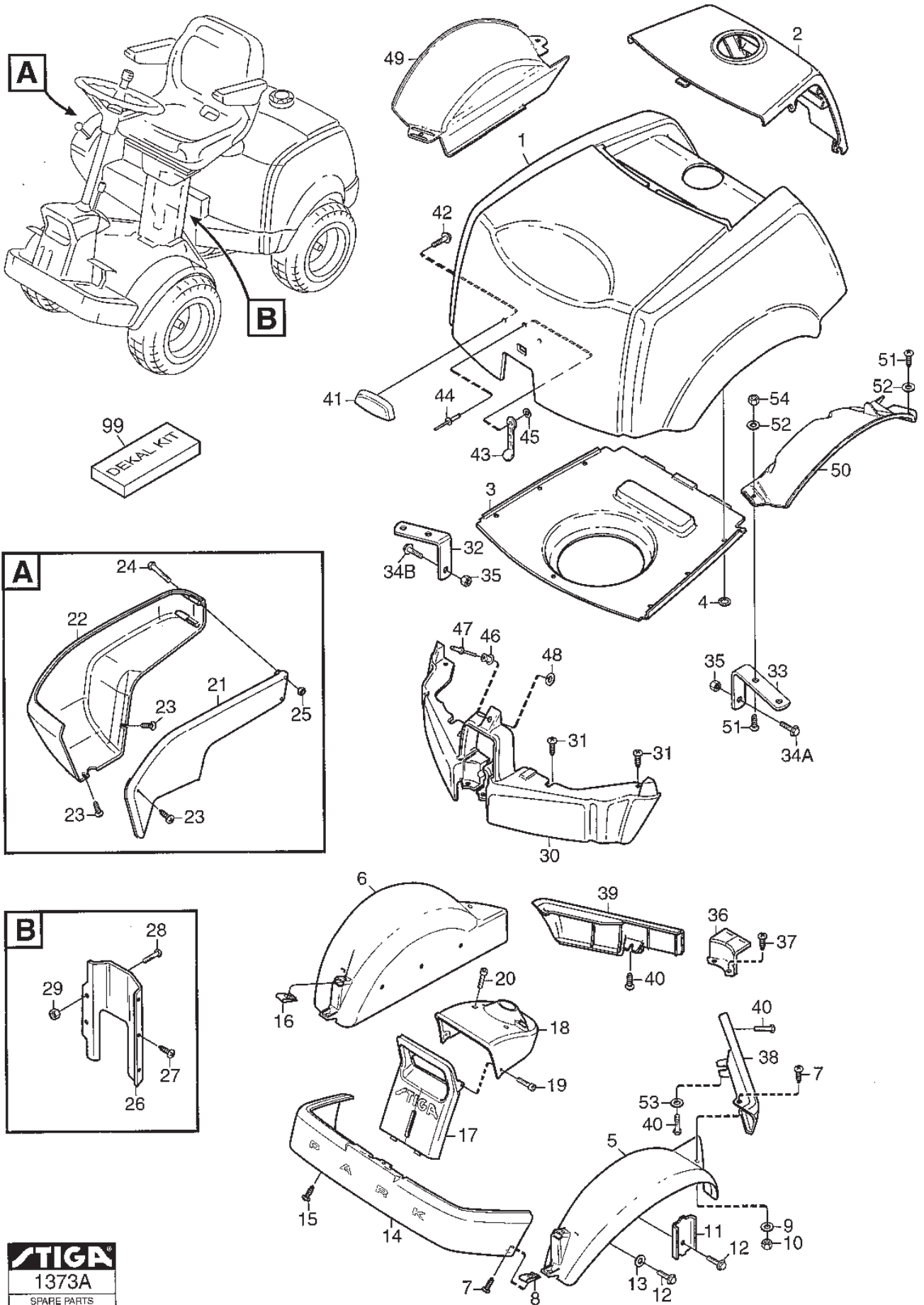
Utgåva Issue 20 - 2015		Kanzaki Transaxel K62E		Kanzaki Transaxle K62E	
Pos. Fig.	Antal Q.ty	Art nr Part No	Benämning	Description	Anmärkning Notes
68	1	1139-1208-01	Slutdrev	Final Gear	/K62E
69	1	1139-1192-01	Axel	Shaft (Final P)	/K62E
70	2	1139-1193-01	Bricka	Washer	/K62E
71	1	1139-1207-01	Reduktionsdrev	Reduction Gear	/K62E
72	1	1139-1210-01	Drev	Final Pinion	/K62E
76	1	1139-1225-01	Hjulaxel Vä	Axle Shaft Left	s/n 000001-003999/ K62E
76	1	1139-1332-01	Hjulaxel-Vä	Axle Shaft-L	s/n 004000-/K62E
77	2	1139-1155-01	Lasring	Ring	/K62E
78	1	1139-1226-01	Hjulaxel Hö	Axle Shaft Right	s/n 000001-003999/ K62E
78	1	1139-1333-01	Hjulaxel-Hö	Axle Shaft-R	s/n 004000-/K62E
79	2	1139-1156-01	Bussning	Bushing	/K62E
80	1	1139-1213-01	Hylsa	Collar	/K62E
81	2	1139-1044-01	Tätning	Seal 25.4*42*8	/K62E
82	2	1139-1194-01	Bricka	Thrust Washer	/K62E
85	1	1139-1227-01	Bromsarm	Brake Arm	/K62E
86	1	1139-1228-01	Returfjäder	Return Spring	/K62E
87	1	1139-1195-01	Bromsskiva	Brake Disc	/K62E
88	1	1139-1196-01	Bromssko	Brake Shoe	/K62E
89	1	1139-1198-01	Shimssats	Shim Set	/K62E
90	1	1139-1200-01	Tryckplatta	Brake Actuator	/K62E
91	1	1139-1197-01	Bromsaxel	Brake Shaft	/K62E
92	1	1139-1199-01	Bricka	Washer	/K62E
93	1	1139-1114-01	O-Ring	O-Ring	/K62E
100	2	1139-1278-01	Lasring	Ring	/K62E
103	1	1139-1230-01	Lock	Cap	/K62E
104	1	1139-1290-01	Packning	Packing	/K62E
119	1	1139-1146-01	Lasring	Ring	/K62E
121	1	1139-1217-01	Diffspärsgaffel	Diff.Lock Fork	/K62E
122	1	1139-1349-01	Diff.Spärrarm	Diff.Lock Arm	/K62E
124	1	1139-1220-01	Fjäderkrok	Spring Hook	/K62E
125	1	1139-1221-01	Fästplatta	Arm Hold Plate	/K62E
126	1	1139-1222-01	Glidhylsa	Diff.Lock Slider	s/n 004000-005061/ K62E
126	1	1139-1331-01	Glidhylsa	Diff.Lock Slider	s/n 005062-/K62E
127	8	1139-1223-01	Stift	Diff.Lock Pin	/K62E
128	1	1139-1224-01	Diffspärspatta	Diff.Lock Plate	/K62E
129	2	1139-1289-01	Packning	Packing	/K62E
130	1	1139-1180-01	Distans	Spacer	/K62E
136	1	1139-1144-01	Returfjäder	Return Spring	/K62E
142	1	1139-1229-01	Plugg	Bore Plug	/K62E
146	1	1139-1219-01	Pivothylsa	Diff.Lock Pivot	/K62E



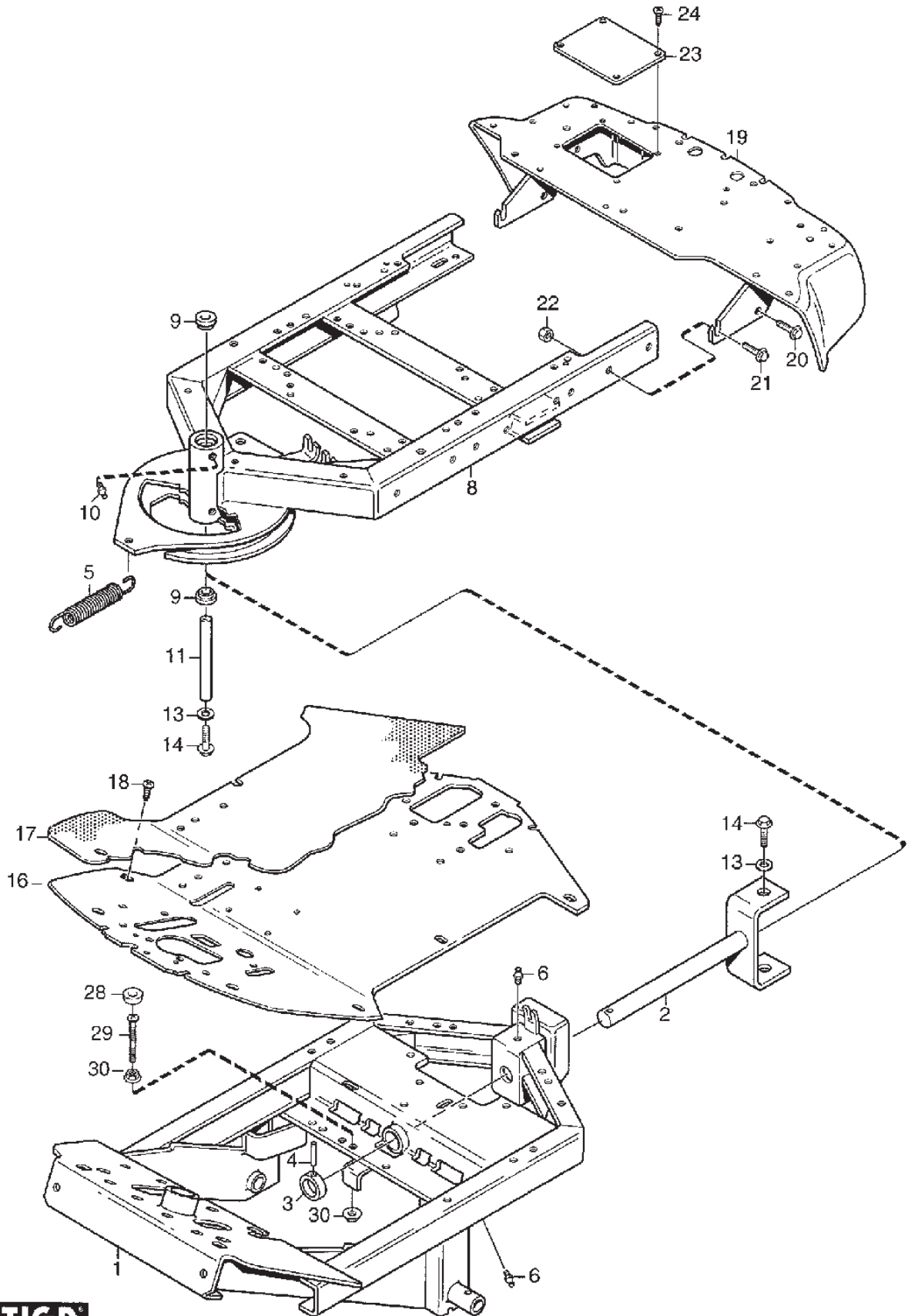
Utgåva Issue 20 - 2015		Monteringsdetaljer Assembly parts			
Pos. Fig.	Antal Q.ty	Art nr Part No	Benämning	Description	Anmärkning Notes
0	1	1134-4249-01	Tillbehörspåse	Accessory Bag	
2	1	1134-4541-01	Nyckel för tändningsglas	Spark Plug Wrench	5/8" (16 mm)/21 mm
3	1	1111-2113-01	Stang	Rod	
4	1	9595-0262-00	Spännstift	Locating Pin	
5	1	9699-0103-02	Bricka	Washer	0.5 mm
5	1	9699-0114-02	Bricka	Washer	1.0 mm
6	2	1134-4185-01	Ansatsbricka	Flange Washer	
7	2	9959-0820-16	Skruv	Screw	
8	2	1134-2609-01	Lasratt	Locking Knob	
9	2	9699-0062-02	Bricka	Washer	
10	2	1134-4734-01	Tändningsnyckel	Ignition Key	
13	1	1134-4003-01	Dragplatta 24	Towing Plate	
14	2	9959-0820-16	Skruv	Screw	
15	2	9739-0831-22	Mutter	Nut	
16	2	9837-8914-12	Skruv	Screw	6112, 6113, 6143
30	1	1134-3771-57	Förp Instr.Bok (Park)	Folder W Manuals (Park)	
30	1	1134-3771-68	Fp Instr.Bok (Park Bensin)	Folder W Manuals (Park Gasoline)	
31	1	8211-0209-10	Säkerhetsföreskrift Rider	Safety Regulations Ride-Ons	
31	1	8211-0209-11	Säkerh. Föreskrifter Front Mowers	Safety Regulations Front Mowers	
31	1	8211-0276-04	Bruksanvisning	Owner's Manual	
31	1	8211-0276-05	Bruksanvisning	Owner's Manual	
31	1	8211-0277-03	Servicehäfte Park	Service Book Park	
31	1	8211-0277-04	Servicebok Park	Service Book Park	
31	1	8211-0278-04	Monteringsanvisning	Assembly Instruction Park	
31	1	8211-0278-05	Monteringsanvisning	Assy Instruction Park	
31	1	8211-0321-04	Eg-Deklaration Park	Eu-Declaration Park	
31	1	8211-0321-05	Eg-Försäkran Park	Certificate Park	
31	1	8211-2002-03	Garantikort Rider	Warranty Card	



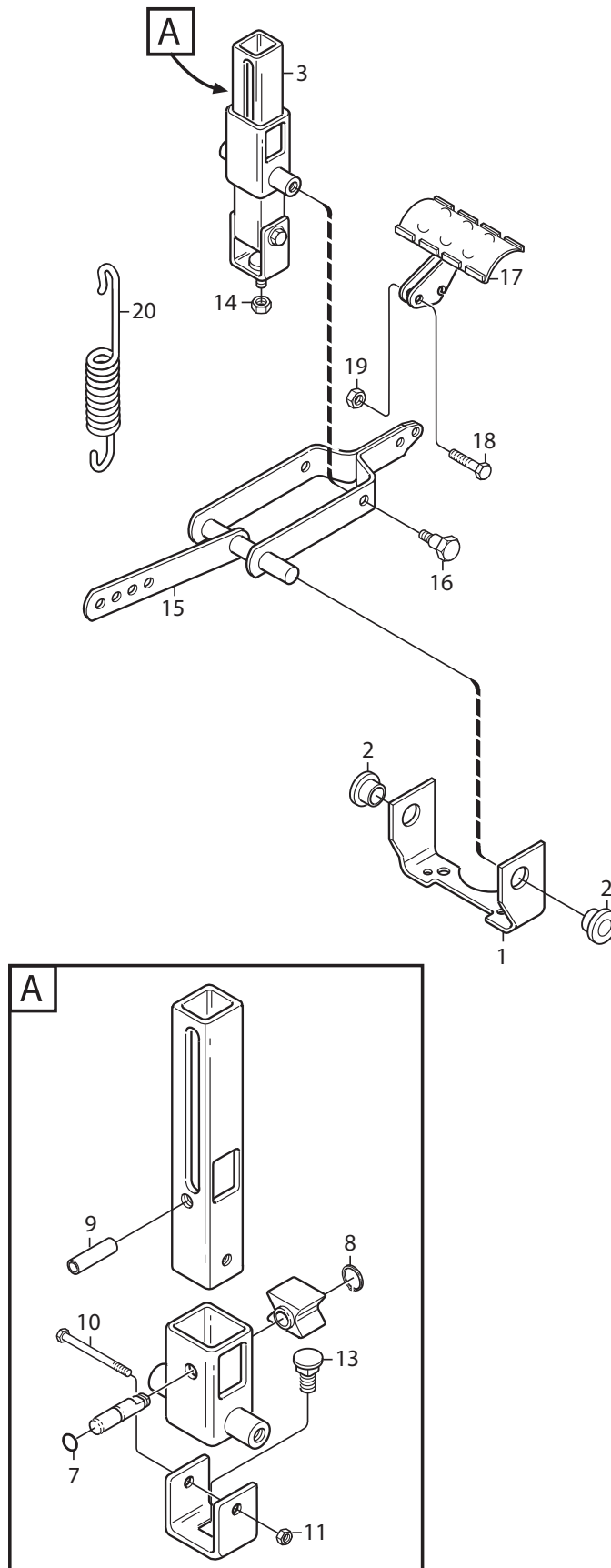
Utgåva Issue 20 - 2015		Chassi	Chassis		
Pos. Fig.	Antal Q.ty	Art nr Part No	Benämning	Description	Anmärkning Notes
1	1	1134-4797-01	Motorhuv	Engine Hood	
2	1	1134-3971-01	Motorlucka-Gra Stiga	Engine Cover-Grey	
3	1	1134-3978-01	Luftkanalplatta	Air Duct Plate	
4	7	9675-0008-02	Starlockbricka	Starlock	
5	1	1134-3943-01	Skärm Vänster	Mud Guard-Left	
6	1	1134-3943-02	Skärm Höger	Mud Guard-Right	
7	4	9893-0616-16	Skruv	Screw	
8	2	1134-4176-01	Clips	Clips	
9	2	9699-0025-02	Bricka	Washer	
10	2	9747-0631-02	Mutter	Nut	
11	2	1134-0225-00	Stödplat	Support Plate	
12	6	9945-0816-16	Skruv	Screw	
13	4	9699-0056-02	Bricka	Washer	
14	1	1134-4220-02	Stötfangare-Fram	Front Bumper	
15	6	9893-0616-16	Skruv	Screw	
16	2	1134-4176-01	Clips	Clips	
17	1	1134-4216-01	Frontkonsol Med Tryck	Frontplate-Grey (W/O Hole)	
18	1	1134-3984-01	Frontdekor Överdel Gra	Upper Front Plate-Grey	
19	2	9840-8009-16	Skruv	Screw	
20	2	9946-0525-16	Skruv	Screw	
21	1	1134-4360-01	Kapa-Inre (1-00)	Cover-Inner	
22	1	1134-3979-01	Kapa Yttre1-00	Cover-Outer	
23	5	9946-0525-16	Skruv	Screw	
24	2	9950-0570-12	Skruv	Screw	
25	2	9747-0531-02	Mutter	Nut	
26	1	1134-4152-01	Skyddskapa 1-00 F12	Cover	
27	3	9893-0616-16	Skruv	Screw	
28	2	9893-0616-16	Skruv	Screw	
29	2	9739-0631-22	Mutter	Nut	
30	1	1134-4798-01	Spoiler-Gra	Spoiler-Grey	
31	4	9893-0616-16	Skruv	Screw	
32	1	1134-4012-03	Stöd-Hö	Support, Right	
33	1	1134-4012-04	Stöd-Vä	Support, Left	
34	1	9959-0816-16	Skruv	Screw	L = 16 mm
34	2	9959-0816-16	Skruv	Screw	L = 16 mm
34	1	9959-0816-16	Skruv	Screw	L = 16 mm
35	2	9739-0831-22	Mutter	Nut	
36	1	1134-3985-01	Täcklock	Cover	
37	2	9893-0616-16	Skruv	Screw	
38	1	1134-3970-05	Kantlist-Vä (Gra) 7-14	Moulding-Left (Grey)	
39	1	1134-3970-02	Kantlist-Hö (Gra) 7-14	Moulding Right-Grey	
40	3	9893-0616-16	Skruv	Screw	
41	1	1134-4799-02	Handtag (Svart) 5-01	Handle (Black)	
42	2	9838-9516-12	Skruv	Screw	
43	1	1134-9028-01	Gummistropp (3 St)	Rubber Strap (3 Pcs)	Sats 3 st/kit of 3
44	1	9632-0516-00	Popnit Tap/D/Bs 416 Gf9.5	Pop Rivet	
45	1	9699-0120-02	Bricka	Washer	
46	1	9405-0029-00	Knopp	Knob	
47	1	9632-0513-00	Popnit1-0420 Bs [Tap/D Bs] 3,2X20	Pop Rivet	



Utgåva Issue 20 - 2015		Chassi Chassis			
Pos. Fig.	Antal Q.ty	Art nr Part No	Benämning	Description	Anmärkning Notes
48	1	9699-0120-02	Bricka	Washer	
49	1	1134-4800-01	Innerskärm-Hö (Park)	Inner Mud Guard-Rh (Park)	
50	1	1134-4801-01	Innerskärm-Vä (Park)	Inner Mud Guard-Lh (Park)	
51	4	9893-0616-16	Skruv	Screw	
52	4	9699-0060-02	Bricka	Washer	
53	1	9699-0060-02	Bricka	Washer	
99	1	1134-4593-04	Dekalsats	Label Kit	Pro 16

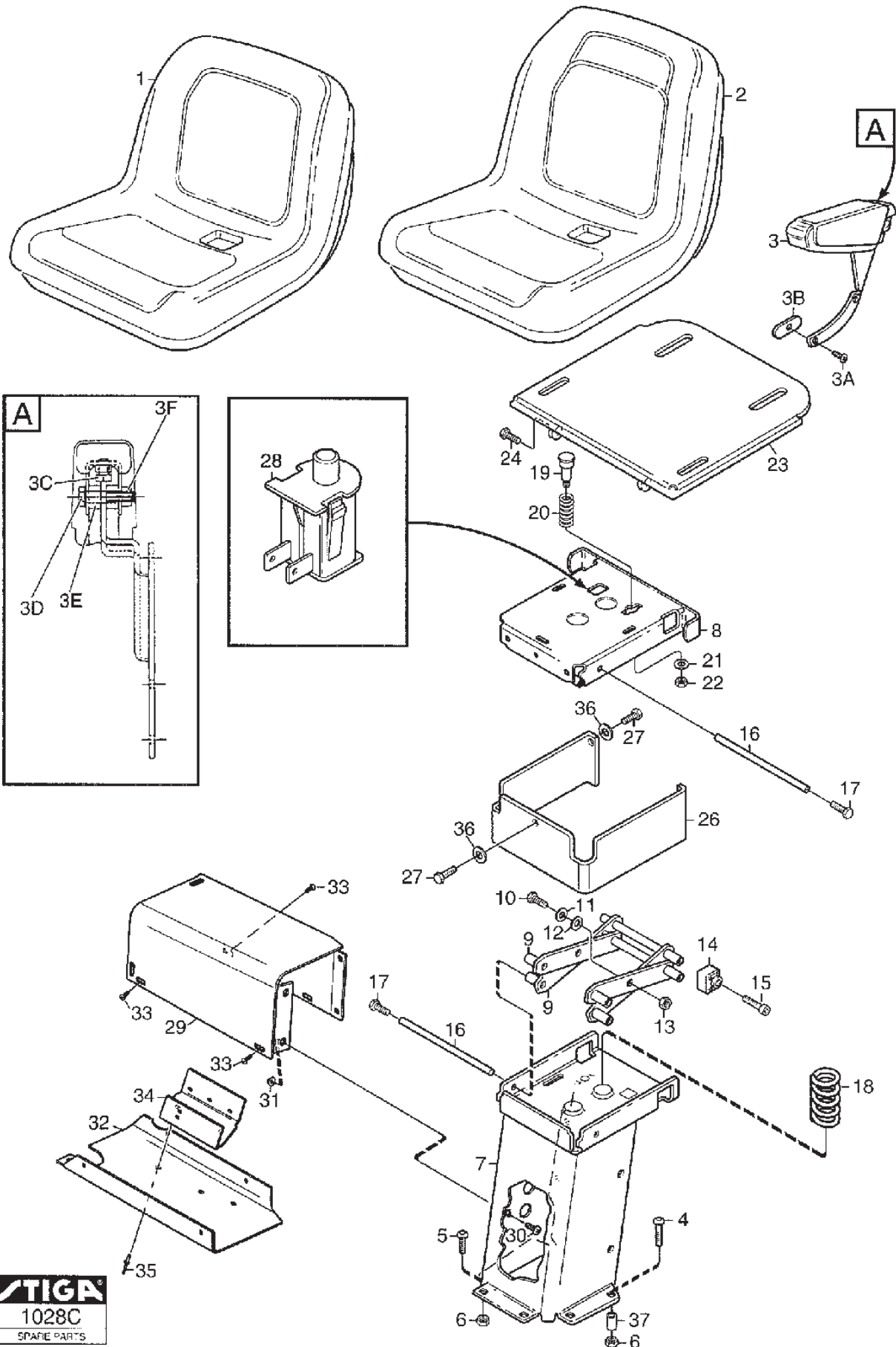


Utgåva Issue 20 - 2015		Ram (Bensin Motorer)		Frame (Petrol Engines)	
Pos. Fig.	Antal Q.ty	Art nr Part No	Benämning	Description	Anmärkning Notes
1	1	1134-5315-01	Frame-Front	Frame-Front	
2	1	1134-3963-02	Midjegaffel Service 5-01 H10	Fork	
3	1	1134-0031-00	Ledaxelstopp	Pivot Shaft Stop	
4	1	9595-0262-00	Spännstift	Locating Pin	
5	1	1134-2171-01	Fjäder	Spring	
6	2	9501-0500-00	Smörjkopp Kort Rak	Grease Dispenser	
8	1	1134-5313-01	Ram-Bakre (5-01)	Frame-Rear (5-01)	
9	2	9547-0001-00	Ledlager Ge17Es	Bearing	
10	2	9501-0500-00	Smörjkopp Kort Rak	Grease Dispenser	
11	1	1134-3968-02	Centrumaxel	Centre Shaft	
13	2	9699-0035-02	Bricka	Washer	
14	2	9959-1020-16	Skruv	Screw	
16	1	1134-5294-01	Durk (5-01)	Floor Plate (5-01)	
17	1	1134-5514-01	Durkmatta Hst Stiga	Floor Mat Hst	
18	2	9893-0616-16	Skruv	Screw	
19	1	1134-4833-01	Stötfangare	Rear Bumper-Grey	
20	2	9945-0816-16	Skruv	Screw	
21	2	9959-0820-16	Skruv	Screw	
22	2	9739-0831-22	Mutter	Nut	
23	1	1134-4167-01	Lucka	Cover	
24	4	9840-8009-16	Skruv	Screw	

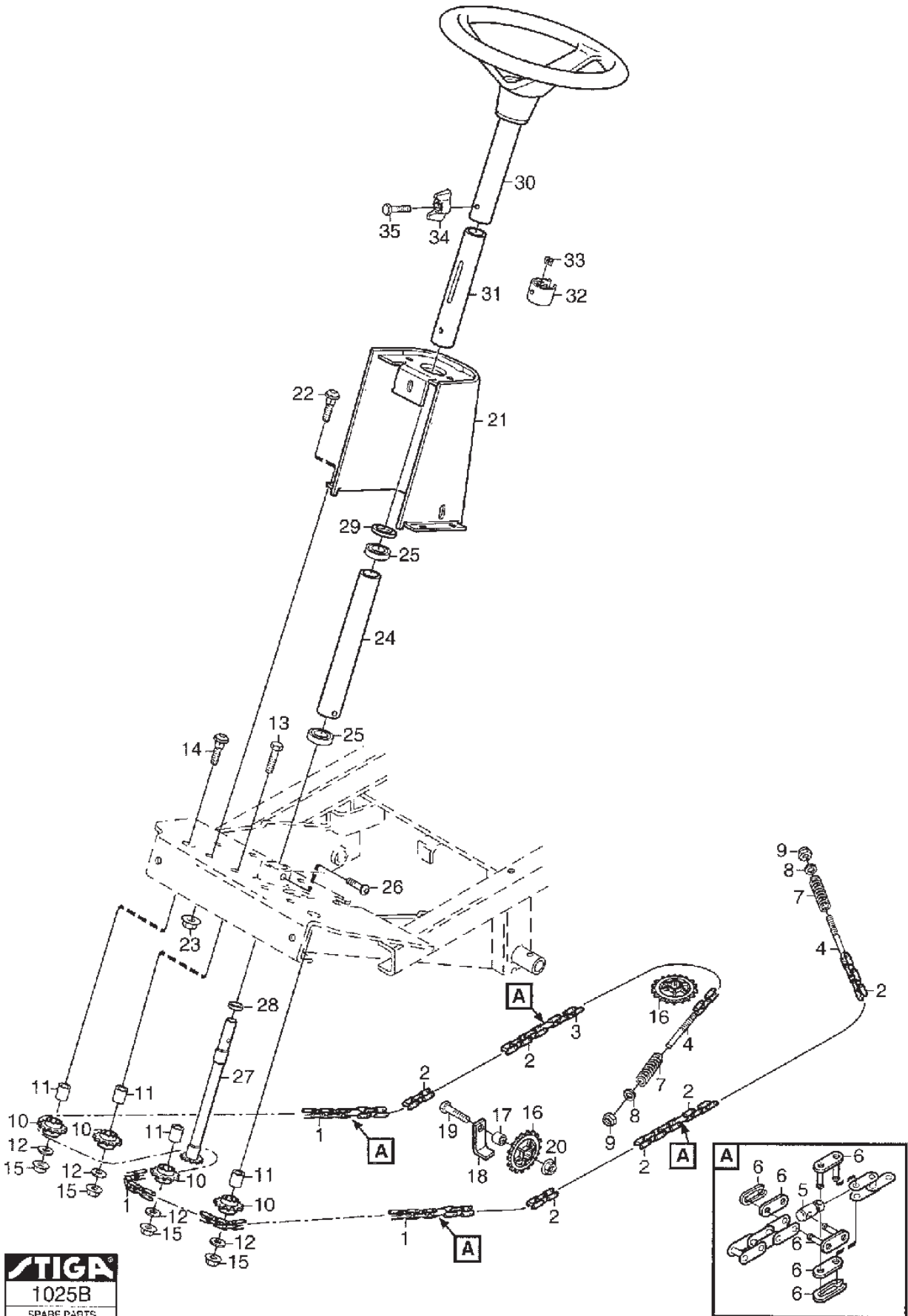


1023D

Utgåva Issue 20 - 2015		Pedallyft Pedal lift			
Pos. Fig.	Antal Q.ty	Art nr Part No	Benämning	Description	Anmärkning Notes
1	1	1134-4117-01	Fäste	Bracket	
2	2	1134-2684-01	Lager	Bearing	
3	1	1134-4945-01	Lyftspärr kpl	Lift Catch Assy	
7	1	9404-0027-01	O-ring	O-ring	
8	1	9650-0039-04	Sparring Sga 8	Lock Ring	
9	1	9595-0276-01	Spiralspännstift 8*24	Locating Pin	
10	1	9997-0640-12	Skruv	Screw	
11	1	9747-0631-02	Mutter	Nut	
13	1	9897-0820-16	Skruv	Screw	
14	1	9747-0831-02	Mutter	Nut	
15	1	1134-4860-01	Lyftgaffel	Lift Fork	
16	2	1134-0240-00	Skruv	Screw	
17	1	1134-4938-01	Lyftpedal	Lift Pedal	
18	2	9997-0625-16	Skruv	Screw	
19	2	9739-0631-22	Mutter	Nut	
20	1	4231-0013-00	Fjäder	Spring	

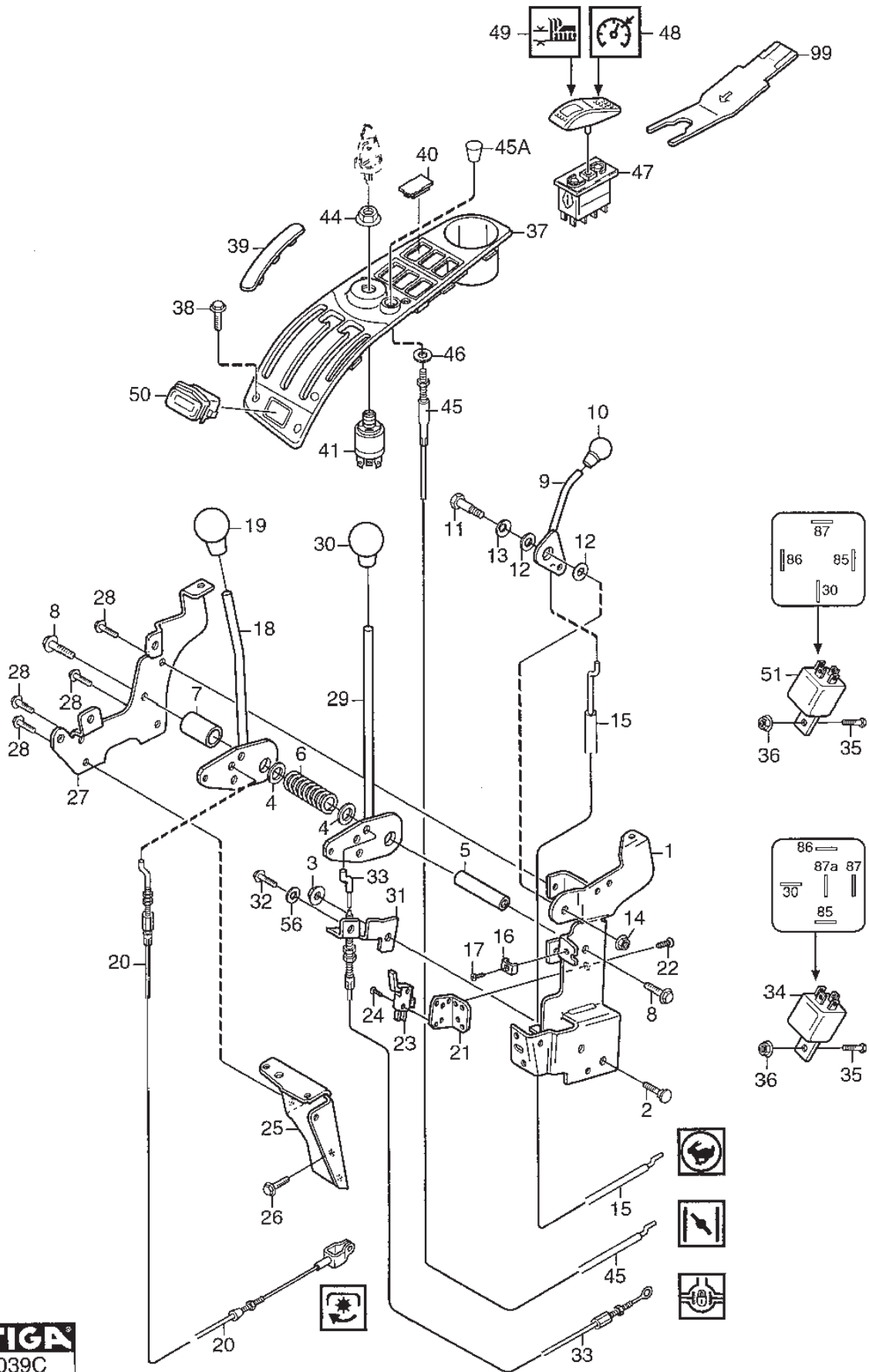


Utgåva Issue 20 - 2015		Sits Seat			
Pos. Fig.	Antal Q.ty	Art nr Part No	Benämning	Description	Anmärkning Notes
2	1	1134-4224-01	Sits (Xb180)	Seat	
2	1	8290-9014-01	Sitsöverdrag/Värmedyna	Seat Cover	Ej ill/not ill.
4	2	9897-0880-12	Skruv	Screw	L = 80 mm
5	4	9897-0820-16	Skruv	Screw	L = 20 mm
6	6	9747-0831-02	Mutter	Nut	
7	1	1134-4085-01	Sitskonsol Kpl. 02	Seat Bracket	
8	1	1134-4144-01	Övre Platta Kpl 5-01 F12	Upper Seat Plate	
9	2	1134-4083-01	Länkarm Kpl.	Pivot Link	
10	2	1134-0240-00	Skruv	Screw	
11	2	9699-0069-02	Bricka	Washer	
12	2	9665-0002-00	Bricka	Washer	
13	2	9747-0831-02	Mutter	Nut	
14	4	1134-4084-01	Glidsko	Slide Block	
15	4	9939-0816-16	Skruv	Screw	
16	2	1134-4082-03	Axel	Shaft	
17	4	9959-0816-16	Skruv	Screw	
18	2	1134-4160-01	Fjäder	Spring	
19	1	1134-4153-01	TryckSprint	Push Pin	
20	1	1134-4159-01	Fjäder	Spring	
21	1	9699-0056-02	Bricka	Washer	
22	1	9739-0831-22	Mutter	Nut	
23	1	1134-4213-01	Glidplatta Kpl 5-01 L 02	Slide Plate	
24	2	1134-0240-00	Skruv	Screw	
26	1	1134-4142-01	Svep	Cover	
27	3	9849-8013-16	Skruv	Screw	
28	1	1134-3156-01	Brytare	Switch	
29	1	1134-3990-01	Armsvep Kpl 041-00	Attachment-Side Panel	
30	2	9897-0820-16	Skruv	Screw	
31	2	9739-0831-22	Mutter	Nut	
32	1	1134-4130-01	Undre Lock (1-00)	Cover Lower	
33	4	9840-8009-16	Skruv	Screw	
34	1	1134-4135-01	Relähallare 24	Relay Holder	
35	2	9632-0522-00	Popnit, 1661-0512 D4X9,5	Pop Rivet	
36	3	9699-0087-02	Bricka	Washer	
37	2	1134-1565-08	Distans	Spacer	

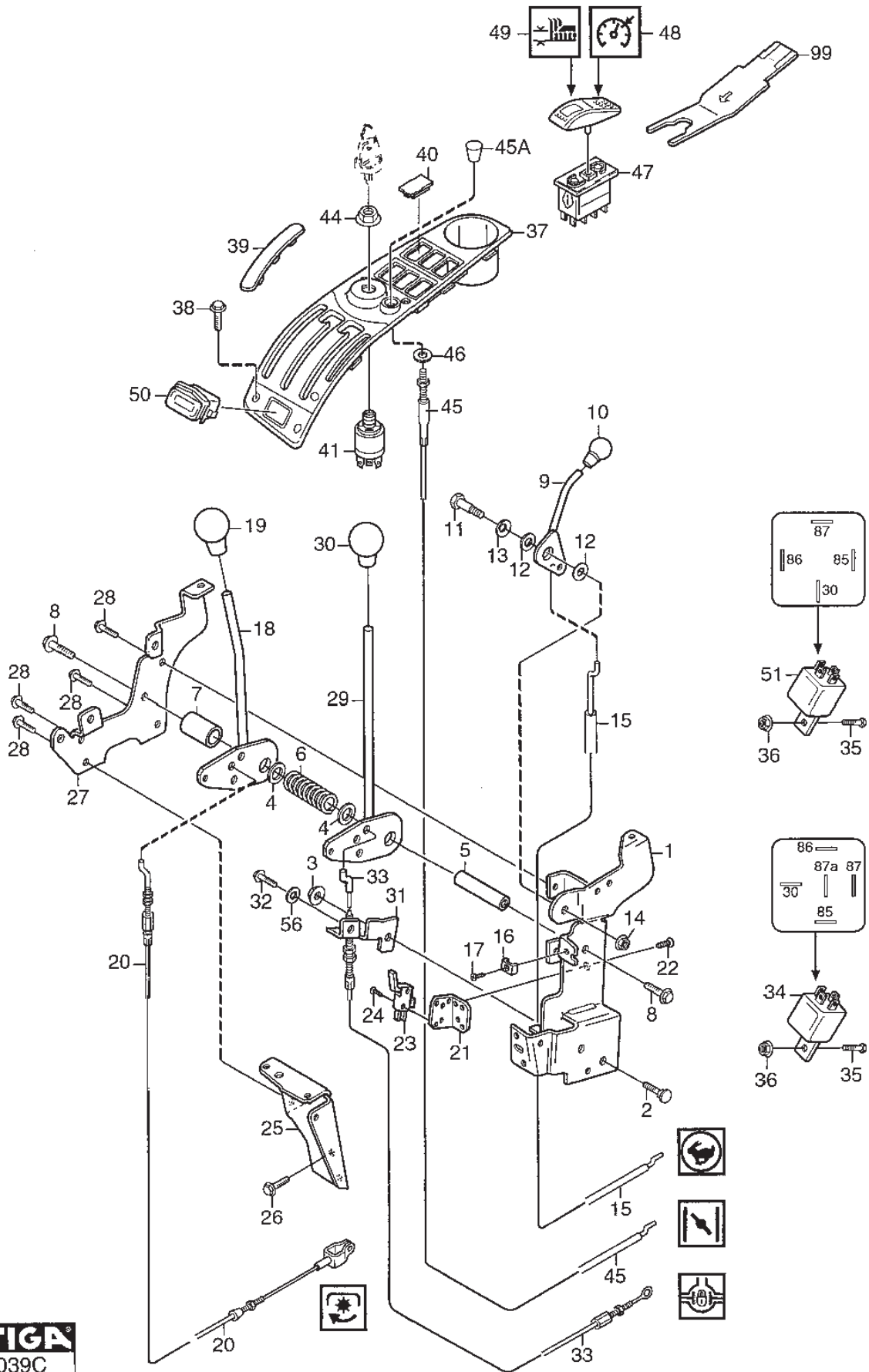


STIGA
1025B
SPARE PARTS

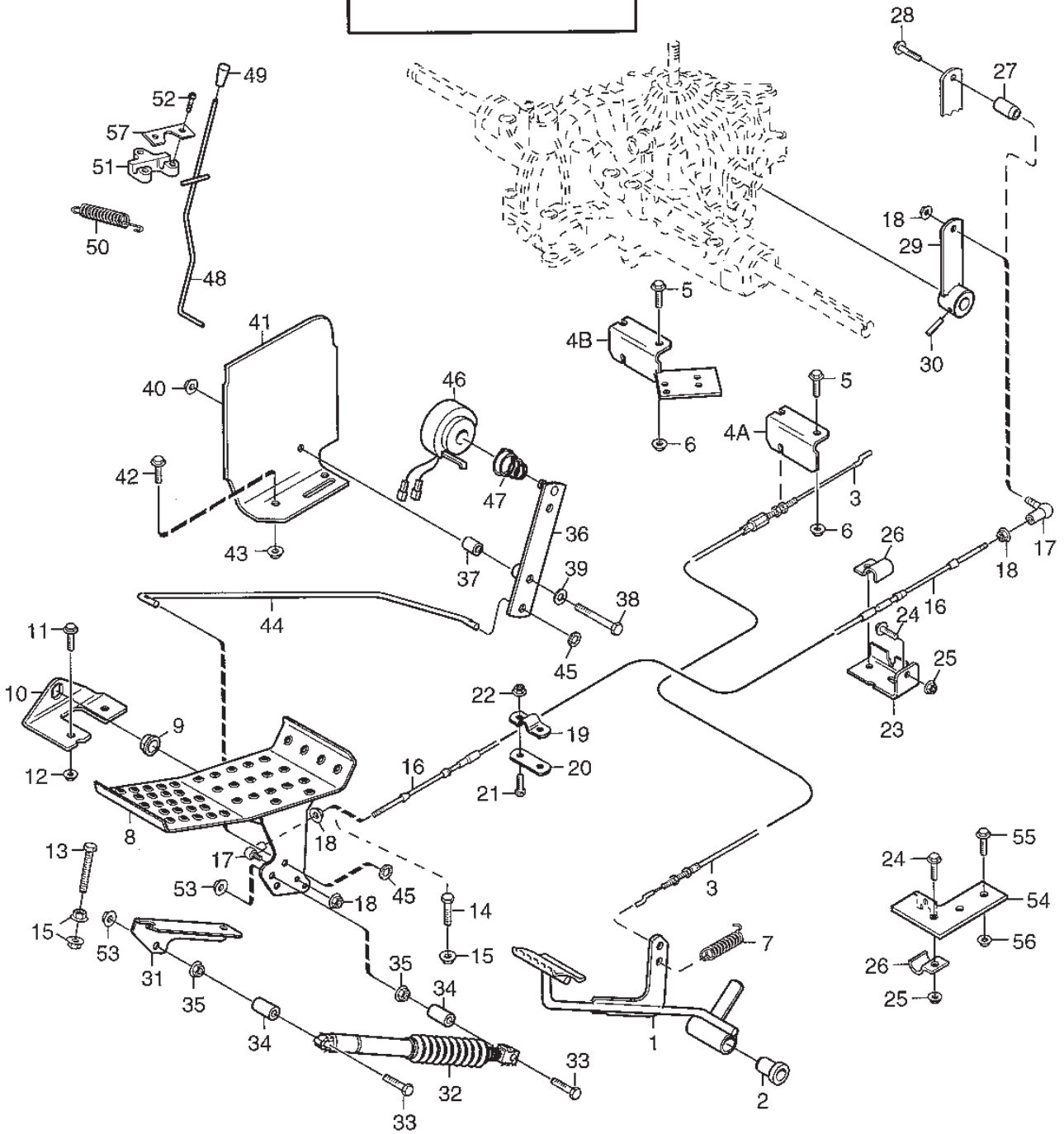
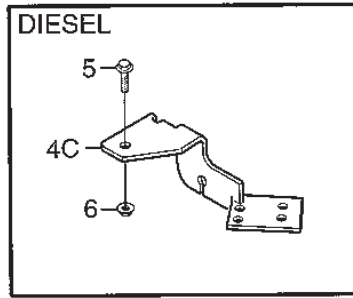
Utgåva Issue 20 - 2015		Styrning		Steering	
Pos. Fig.	Antal Q.ty	Art nr Part No	Benämning	Description	Anmärkning Notes
1	1	1134-2820-06	Kedja	Chain	83 länk
2	3	1134-2820-02	Kedja	Chain	41 länk
3	1	1134-2820-04	Kedja	Chain	45 länk
4	2	1134-3550-01	Ändnippel (L110)	End Nipple	
5	4	1134-3565-01	Skarvnippel	Connection Nipple	
6	10	1134-2824-01	Kedjelas	Chain Lock	
7	2	1134-3817-01	Fjäder	Spring	
8	2	9699-0090-02	Bricka Bricka	Washer Washer	
9	2	9747-0831-02	Mutter	Nut	
10	4	1134-2816-01	Kedjehjul	Sprocket	
11	4	1134-0041-02	Bussning	Bushing	
12	4	9699-0035-02	Bricka	Washer	
13	2	9997-1050-16	Skruv	Screw	
14	2	9897-1040-12	Skruv	Screw	
15	4	9739-1031-22	Mutter	Nut	
16	3	1134-3547-01	Kedjehjul	Sprocket	
17	2	1134-0041-01	Bussning	Bushing	
18	2	1134-3022-01	Fäste	Bracket	
19	2	9997-1030-16	Skruv	Screw	
20	2	9739-1031-22	Mutter	Nut	
21	1	1134-4120-03	Styrkonsol	Steering Console	
22	4	9897-0820-16	Skruv	Screw	
23	4	9739-0831-22	Mutter	Nut	
24	1	1134-3085-01	Rattrör Nedre	Steering Column, Lower	
25	2	9549-0017-00	Kullager	Ball Bearing	
26	2	9893-0616-16	Skruv	Screw	
27	1	1134-3084-01	Rattstang	Steering Rod	
28	1	1134-2837-02	Distans	Spacer	
29	1	9695-0011-00	Bricka	Washer	
30	1	1134-5173-01	Ratt Kpl	Steering Wheel	
31	1	1134-5216-01	Rattrör-Inre Kpl	Steering Tube-Inner Assy	
32	1	1134-5177-01	Slid	Slide	
33	1	9710-0631-12	Lasmutter	Nut	
34	1	1134-4481-02	Vingmutter	Wing Nut	
35	1	9997-0630-12	Skruv	Screw	



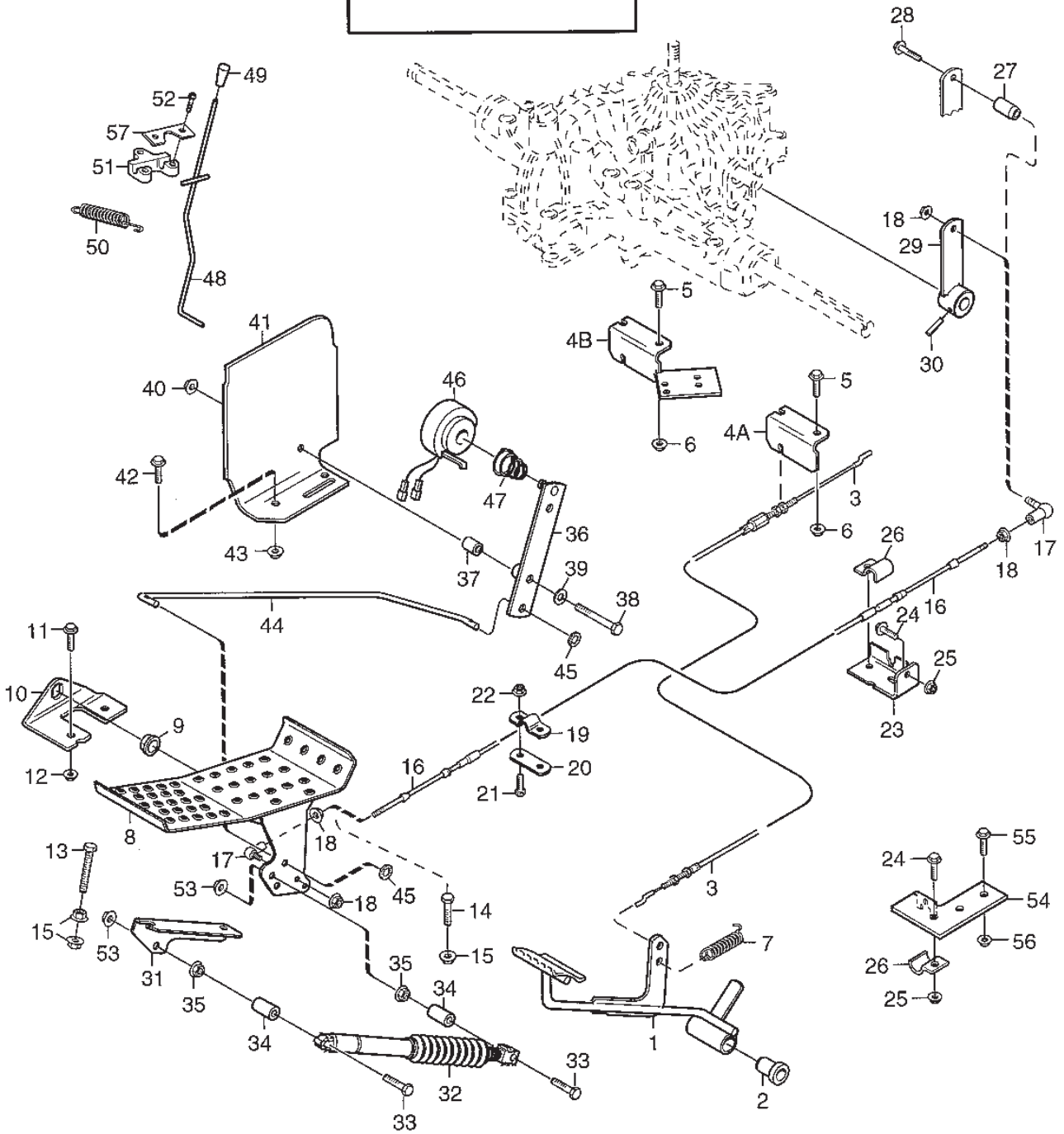
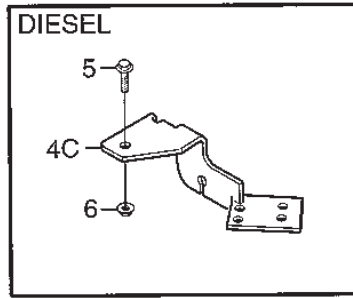
Utgåva Issue 20 - 2015		Handreglage		Hand controls	
Pos. Fig.	Antal Q.ty	Art nr Part No	Benämning	Description	Anmärkning Notes
1	1	1134-4156-01	Vinkelhallare Kpl 24	Panel Bracket-Inner	
2	2	9897-0820-16	Skruv	Screw	
3	2	9739-0831-22	Mutter	Nut	
4	2	9695-0011-00	Bricka	Washer	
5	1	1134-4065-01	Reglageaxel	Control Shaft	
6	1	1134-4079-01	Fjäder	Spring	
7	1	1134-4080-03	Reglagehylsa	Control Sleeve	
8	2	9959-0820-16	Skruv	Screw	
9	1	1134-4077-01	Gasreglage	Throttle Cable	
10	1	1134-4078-01	Knopp	Knob	
11	1	1134-0240-00	Skruv	Screw	
12	2	1134-4242-01	Distansbricka	Washer	
13	1	9694-0001-00	Bricka	Washer	
14	1	9739-0831-22	Mutter	Nut	
15	1	1134-4195-01	Gasreglage	Throttle Cable	
16	1	9500-9991-00	Kabelklämma	Wire Clamp	
17	1	9943-0516-16	Skruv	Screw	
18	1	1134-4072-01	Aggregatpak Kpl	Control Lever	
19	1	1134-2551-01	Knopp	Knob	
20	1	1134-3573-03	Kraftuttagwire	Pto Cable	
21	1	1134-4217-01	Brytarfäste	Switch Bracket	
21	1	1134-5358-01	Brytarfäste	Switch Bracket	
22	2	9849-8013-16	Skruv	Screw	
22	2	9852-8013-16	Skruv	Screw	
23	1	9400-0285-01	Brytare	Switch	
24	2	9840-7716-16	Skruv	Screw	
25	1	1134-4487-01	Frontfäste5-01 H14	Panel Bracket-Front	
25	1	1134-4487-02	Frontfäste 5-01 H14	Panel Bracket-Front	
26	2	9893-0616-16	Skruv	Screw	
27	1	1134-3986-01	Frontplat	Frontplate	
28	4	9893-0616-16	Skruv	Screw	
29	1	1134-4069-01	Reglagespak	Control Lever	
30	1	1134-2551-01	Knopp	Knob	
31	1	1134-4073-01	Vajerfästplat	Cable Holder	
32	1	9942-0612-16	Skruv	Screw	
33	1	1134-4006-01	Vajer	Cable	
34	2	1134-2871-03	Relä	Relay	
35	3	9997-0512-16	Skruv	Screw	
35	3	9997-0520-16	Skruv	Screw	
36	3	9739-0531-22	Mutter	Nut	
37	1	1134-3981-03	Kassett	Dashboard	
38	4	9946-0525-16	Skruv	Screw	
39	1	1134-4154-01	Täckbricka	Cover	
40	4	1134-4129-01	Täckbricka	Cover	
41	1	1134-4093-01	Tändningslas	Ignition Switch	
44	1	1134-4749-01	Mutter	Nut	
45	1	1134-4338-01	Reglageknopp	Control Button-Choke	
45	1	1134-2872-02	Chokereglage Kpl	Choke Control	
46	2	9699-0028-02	Bricka	Washer	



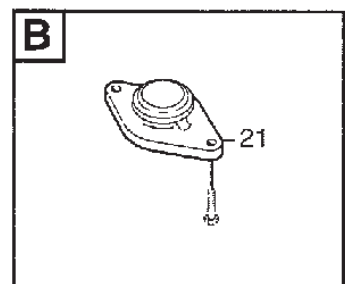
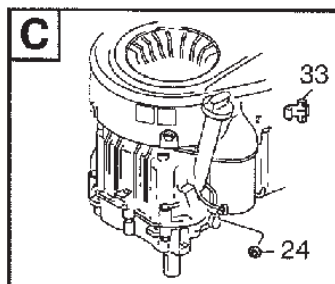
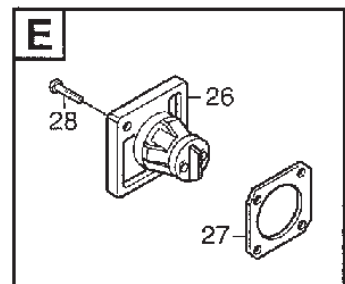
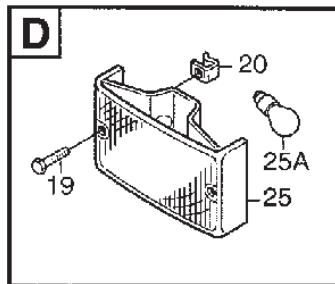
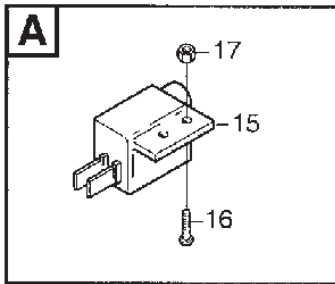
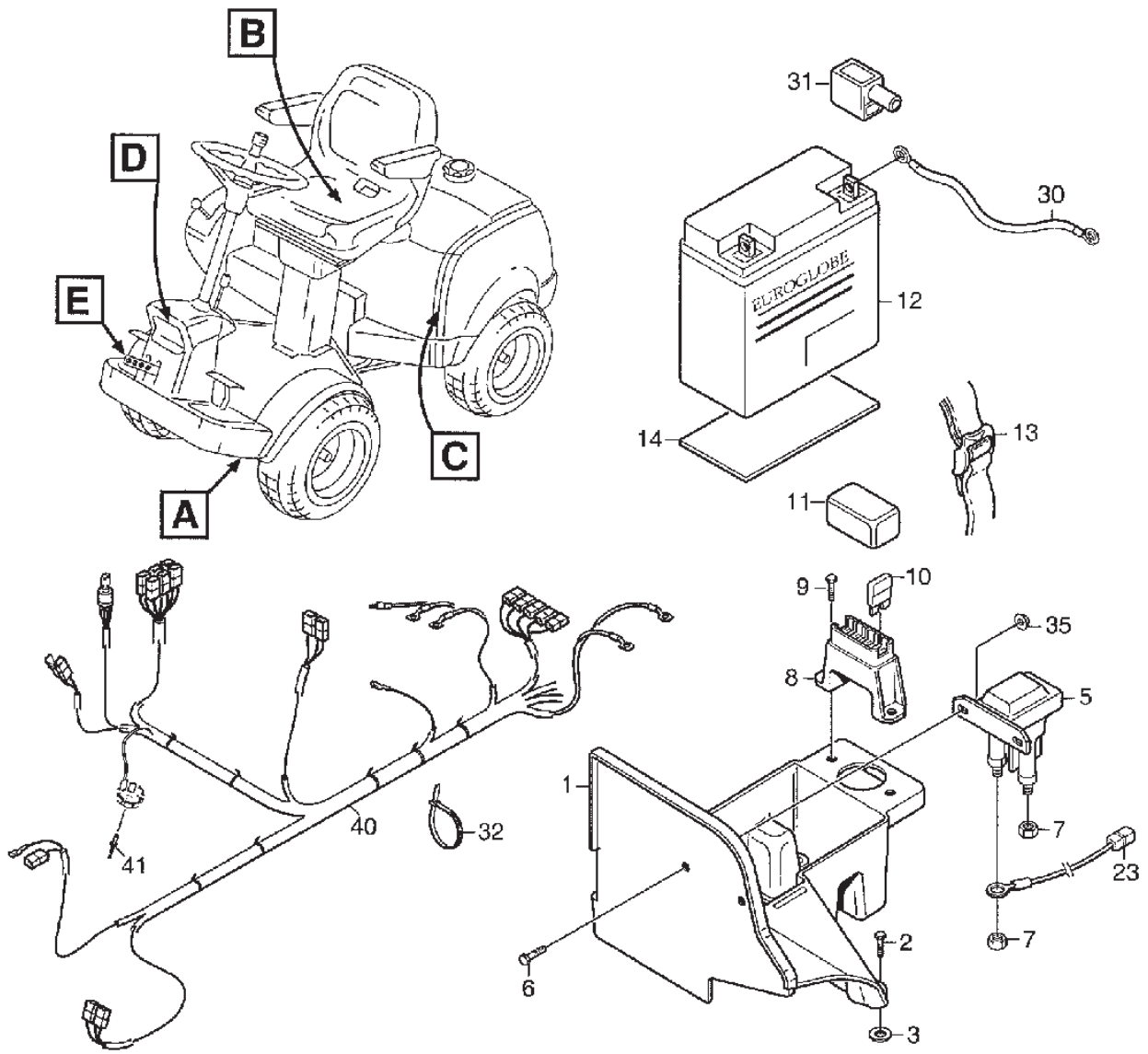
Utgåva Issue 20 - 2015		Handreglage Hand controls			
Pos. Fig.	Antal Q.ty	Art nr Part No	Benämning	Description	Anmärkning Notes
47	2	9400-0282-01	Brytare (Med Diod)	Switch	
48	1	9400-0280-02	Vippa Farthallare	Switch	
49	1	9400-0280-03	Vippa Höjdinst	Switch Cover-Height Adjust	
50	1	1134-4179-01	Timräknare	Hour Meter	
50	1	1134-4179-02	Timräknare	Hour Meter	
51	1	1134-2871-01	Relä	Relay	
56	1	9699-0025-02	Bricka	Washer	
99	1	9400-0290-01	Verktyg F.Vippa	Tool	Tillbehör/Accessory



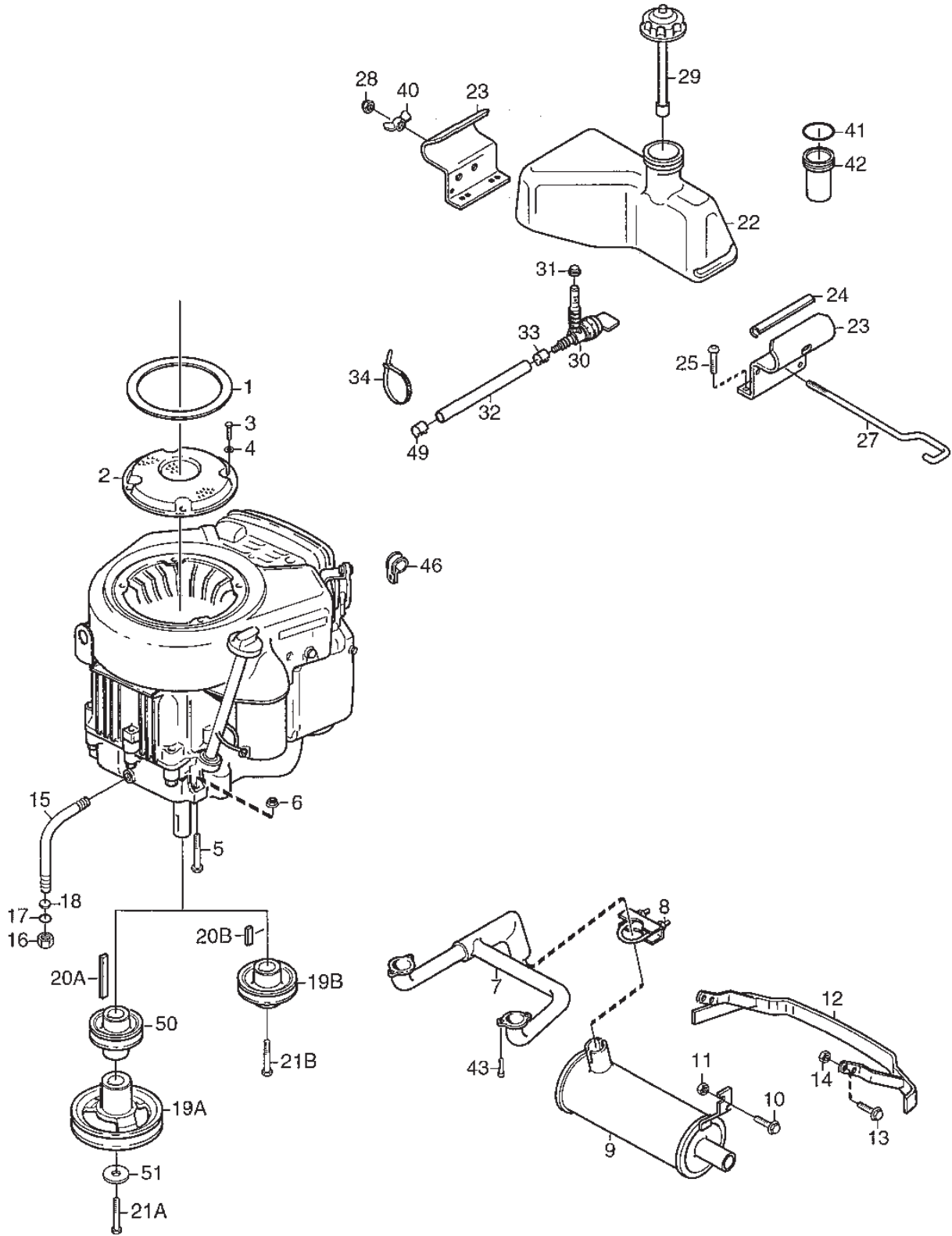
Utgåva Issue 20 - 2015		Park Fotreglage		Park Foot Controls	
Pos. Fig.	Antal Q.ty	Art nr Part No	Benämning	Description	Anmärkning Notes
1	1	1134-4247-01	Kopplingspedal Kpl	Clutch Pedal	
2	1	1134-9024-01	Lager (4 St)	Bearing	Sats 4 st/kit of 4
3	1	1134-3584-02	Wire	Brake/Clutch Cable	
4	1	1134-4760-01	Fäste	Cable/Oil Hose Holder	
5	2	9959-0816-16	Skruv	Screw	
6	2	9739-0831-22	Mutter	Nut	
7	1	1134-3974-01	Fjäder	Spring	
8	1	1134-4008-01	Drivpedal	Drive Pedal	
9	2	1134-2780-01	Lager	Bearing	
10	2	1134-2700-01	Fäste	Bracket	
11	2	9959-0820-16	Skruv	Screw	
12	2	9739-0831-22	Mutter	Nut	
13	1	9997-0870-16	Skruv	Screw	
14	1	9959-0816-16	Skruv	Screw	
15	3	9739-0831-22	Mutter	Nut	
16	1	1134-2766-04	Reglagevajer	Speed Control Cable	
17	2	9570-0001-00	Vinkellänk As8 Din 71802M5	Elbow Link	
18	4	9739-0531-22	Mutter	Nut	
19	1	1134-0266-00	Fästbygel	Attaching Clamp	
20	1	1134-0267-00	Underläggsbleck	Clamp Plate	
21	2	9997-0520-16	Skruv	Screw	
22	2	9739-0531-22	Mutter	Nut	
23	1	1134-3395-01	Fäste 24 (5-01)	Attachment	
24	2	9959-0820-16	Skruv	Screw	L = 20 mm
25	2	9739-0831-22	Mutter	Nut	
26	1	1134-2021-01	Växelwirefäste	Clamp	
29	1	1134-4042-01	ReglaVäxelm Kpl.	Control Lever	
30	1	9595-0258-00	Spännstift	Locating Pin	
31	1	1134-3996-01	Fäste	Bracket	
32	1	1134-4187-01	Dämpare	Damper	
33	2	9997-0840-16	Skruv	Screw	
34	2	1134-1565-09	Distans	Spacer	
35	2	9739-0831-22	Mutter	Nut	
36	1	1134-4017-01	Arm Kpl.	Lever, Cruise Control	
37	1	1134-1565-01	Distans	Spacer	
38	1	9997-0850-16	Skruv	Screw	
39	1	9699-0056-02	Bricka	Washer	
40	1	9739-0831-22	Mutter	Nut	
41	1	1134-4020-01	Plat Farth.	Plate-Cruise Control	
42	2	9959-0816-16	Skruv	Screw	
43	2	9739-0831-22	Mutter	Nut	
44	1	1134-4021-01	Stag Farth.	Rod-Cruise Control	
45	2	9675-0012-02	Starlock	Locking washer	
46	1	1134-2859-01	Magnet	Magneto	
47	1	1134-2858-01	Fjäder	Spring	
48	1	1134-5101-01	Bromsstang	Brake Rod	
49	1	1134-3808-01	Knopp	Knob	
50	1	1131-1497-01	Fjäder	Brake Spring	
51	1	1134-4002-01	Fäste	Brake Rod Attachment	



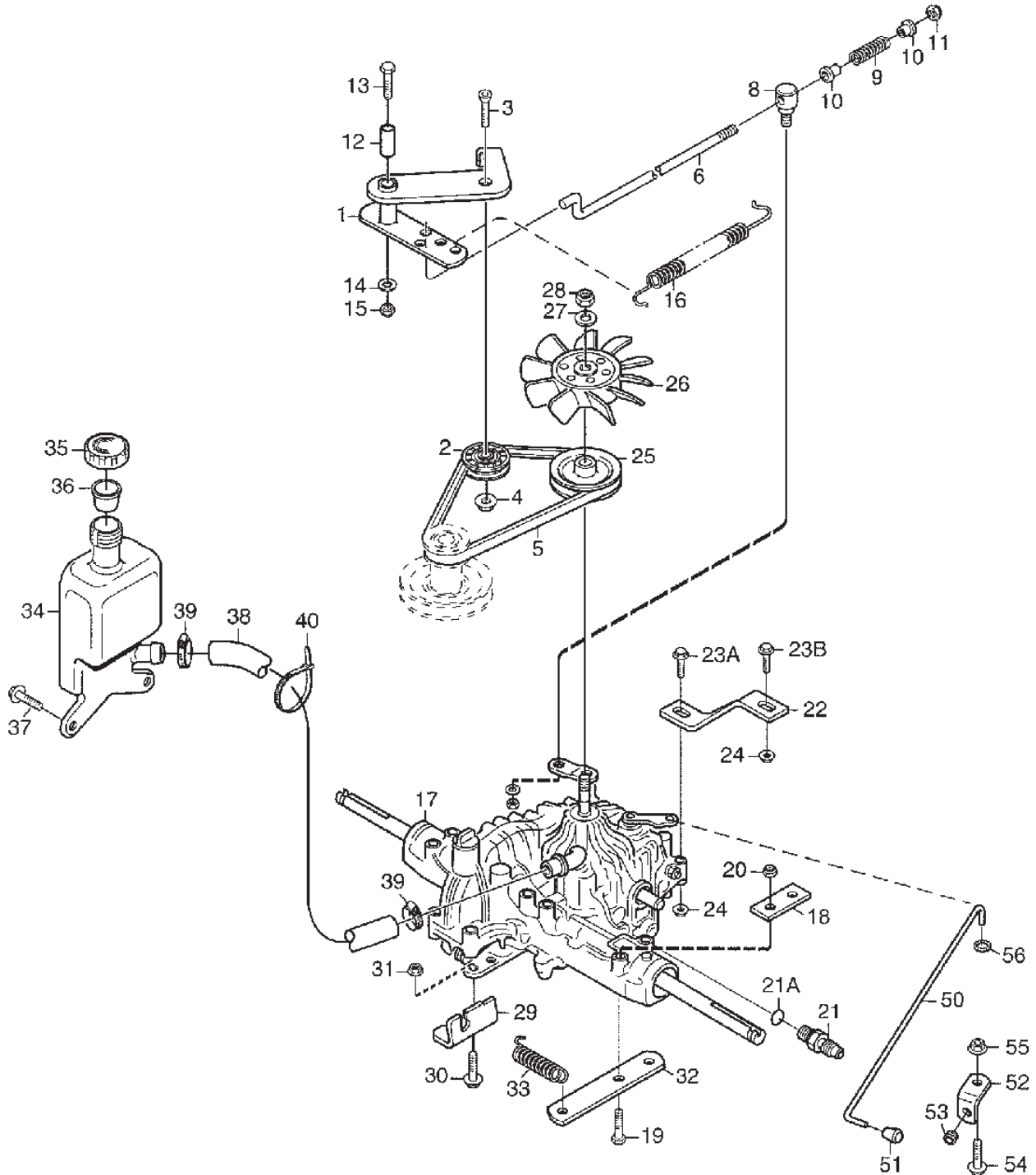
Utgåva Issue 20 - 2015		Park Fotreglage Park Foot Controls			
Pos. Fig.	Antal Q.ty	Art nr Part No	Benämning	Description	Anmärkning Notes
52	3	9838-9516-12	Skruv	Screw	
53	2	9747-0831-02	Mutter	Nut	
54	1	1134-3910-01	Vajerfäste 24	Cable Holder	
55	3	9959-0816-16	Skruv	Screw	L = 16 mm
56	3	9739-0831-22	Mutter	Nut	
57	1	1134-4944-01	Plat	Stop Plate	13-6221, 13-6231



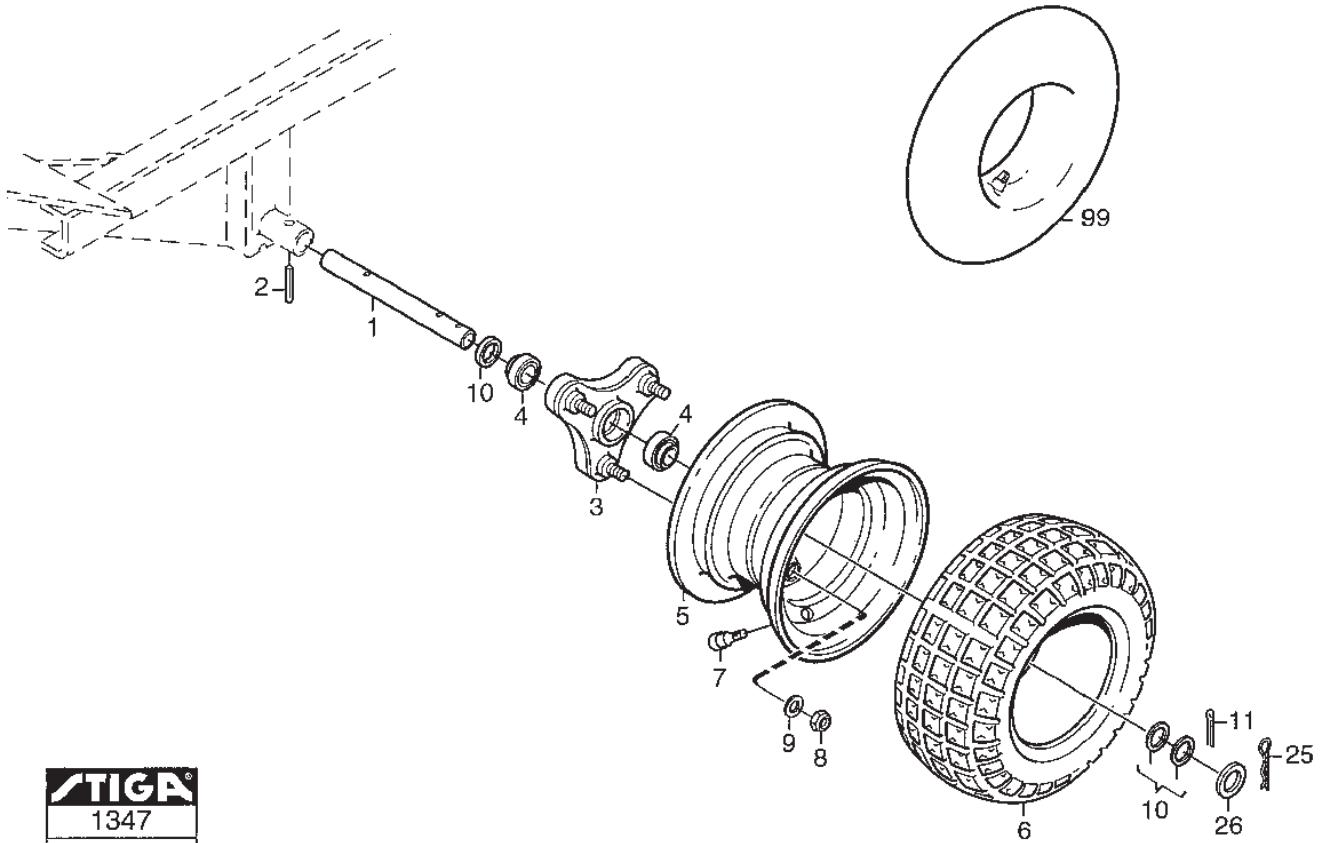
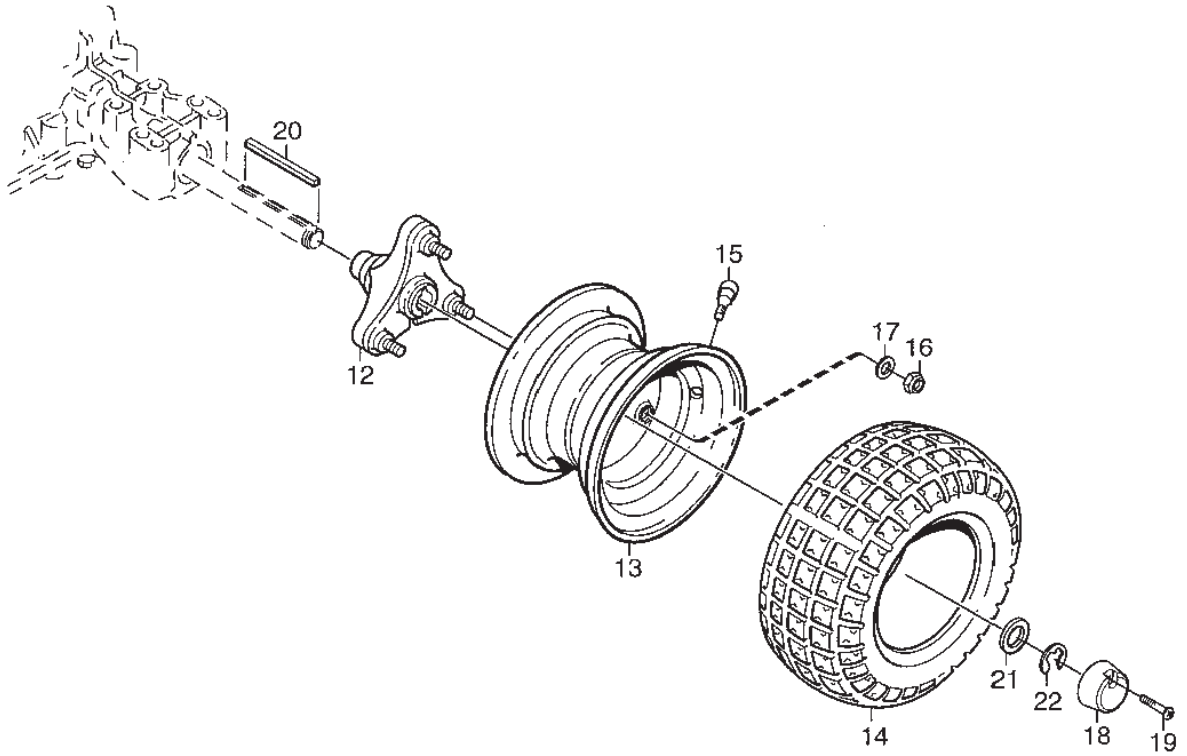
Utgåva Issue 20 - 2015		Elutrustning (Bensin Motorer)		El. Equipment (Petrol Engines)	
Pos. Fig.	Antal Q.ty	Art nr Part No	Benämning	Description	Anmärkning Notes
1	1	1134-4806-01	Batterihylla	Battery Shelf	
2	2	9893-0616-16	Skruv	Screw	
5	1	1134-2962-01	Solenoid Kpl Service	Solenoid	Inkl. pos 7
6	2	9893-0616-16	Skruv	Screw	
7	2	9794-5131-02	Mutter	Nut	
8	1	1134-3491-01	Säkringshallare	Fuse Holder	
9	2	9838-9516-12	Skruv	Screw	
10	1	1134-3496-01	Säkring 10A Röd	Fuse (10A)	10A
10	1	1134-3496-06	Säkring 20 Amp Gul	Fuse (20A)	20A
10	1	1134-3496-07	Säkring (30A Grön)	Fuse (30A)	30A
11	1	1134-3631-01	Lock (5-01)	Cover-Fuse Holder	
12	1	1134-4804-01	Batteri	Battery	
13	1	1134-5245-01	Batterirem	Battery Strap	
14	1	1134-5227-01	Batteriunderlägg	Battery Pad	
15	1	1134-3399-01	Brytare	Switch	
16	2	9997-0520-16	Skruv	Screw	
17	2	9747-0531-02	Mutter	Nut	
19	2	9849-7819-16	Skruv	Screw	
20	2	1134-4177-01	Clips	Clips	
23	1	1134-4970-01	Kabel	Cable	
24	1	9795-3531-02	Mutter	Nut	
25	1	1134-4172-01	Stralkastare	Headlamp	
25	1	9400-0293-01	Glödlampa	Bulb	12V - 21W
26	1	1134-4056-01	Honkontakt Selv 12 V Dc 42-101-42	Female Terminal	
27	1	1134-4052-01	Bricka	Washer	
28	2	9840-7716-16	Skruv	Screw	
30	1	1134-0234-02	Batterikabel (+)	Battery Cable (+)	
31	1	1134-2310-01	Batteriskydd	Guard Cap (+)	
32	15	9579-0003-00	Buntband	Cable Holder	
33	2	9400-0231-00	Kabelskarv	Splicer	
35	2	9739-0631-22	Mutter	Nut	
40	1	1134-5086-01	Kablage (Park Pro 16)	Harness	
41	1	9632-0522-00	Popnit, 1661-0512 D4X9,5	Pop Rivet	



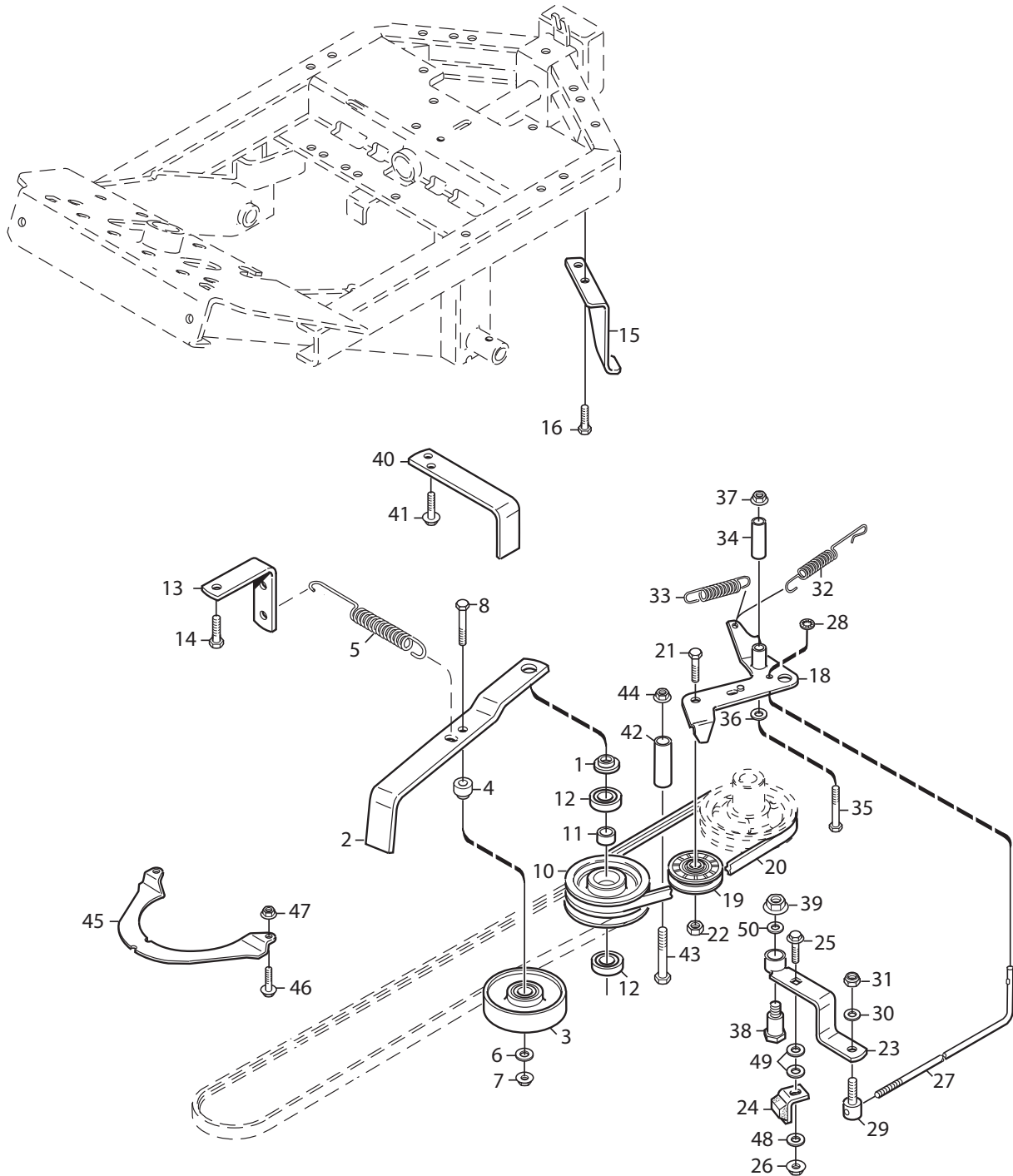
Utgåva Issue 20 - 2015		Motor	Engine		
Pos. Fig.	Antal Q.ty	Art nr Part No	Benämning	Description	Anmärkning Notes
1	1	1134-4222-01	Tätningring	Seal Ring (5 Mm)	H = 5 mm
1	1	1134-4222-02	Tätningring	Seal Ring (15 Mm)	H = 15 mm
2	1	1134-2878-01	Fläktskydd	Fan Cover	
3	4	9997-0512-16	Skruv	Screw	
4	4	9699-0099-02	Bricka	Washer	
5	4	9997-0840-16	Skruv	Screw	
6	4	9739-0831-22	Mutter	Nut	
7	1	1134-4031-01	Avgasrör Kpl (VanSkydd)	Exhaust Pipe	
8	1	9578-0011-00	Klämma F Ljuddämp D35 Rid	Clamp	
9	1	1134-4952-01	Ljuddämpare	Muffler	
10	1	9959-0820-16	Skruv	Screw	
11	1	9739-0831-22	Mutter	Nut	
12	1	1134-4046-01	Berör.Skydd Kpl	Muffler Guard, Grey	
13	4	9959-0820-16	Skruv	Screw	
14	4	9739-0831-22	Mutter	Nut	
15	1	1134-4736-01	Oljeavtappningsrör Kpl	Oil Drain Pipe Assy	
16	1	1134-0995-01	Plugg	Plug	
17	1	9404-0020-00	O-Ring 11,3 X 2,4	O-ring	
18	1	1134-0997-01	Packning	Gasket	
19	1	1134-4999-01	Motorremskiva	Engine Belt Pulley	
20	1	9600-0251-01	Kil	Key	L = 2.5" (64 mm)
21	1	9987-5332-16	Skruv	Screw	L = 32 mm
22	1	1134-4757-02	Bränsletank Kpl (Med Mätare)	Fuel Tank Assy (W.Gauge)	Inkl. 29-33, 41-42
22	1	1134-4757-04	Bränsletank Kpl (M Mätare)	Fuel Tank Assy (W Gauge)	Inkl. 29-33, 41-42
23	2	1134-4273-03	Tankfäste	Fuel Tank Bracket	
24	2	1134-2941-01	Kantskyddslit S	Protection Strip	
25	4	9893-0616-16	Skruv	Screw	
27	1	1134-4356-01	Lasstang (M8)	Tank Rod (M8)	
27	1	1134-5269-01	Lasstang	Fuel Tank Rod	
28	1	9747-0631-02	Mutter	Nut	
28	1	9747-0831-02	Mutter	Nut	
29	1	1134-4064-01	Tanklock	Fuel Cap	
30	1	1134-3224-01	Bensinkran	Fuel Shut-Off Valve	
31	1	1134-3225-01	Gummibussning	Grommet	
32	1	1134-2975-01	Bensinslang	Fuel Tube	L = 520 mm
32	1	1134-2975-04	Bränsleslang	Fuel Line	L = 710 mm
33	1	9578-0023-02	Slangklämma D12*8 (Svart)	Hose Clamp	
34	1	9579-0003-00	Buntband	Cable Holder	
40	1	1134-4481-01	Vingmutter	Wing Nut	
40	1	1134-4481-02	Vingmutter	Wing Nut	
41	1	9404-0025-01	O-Ring 69,44X3,53 Viton	O-ring	
42	1	1134-4411-01	Insatsrör Tank	Fuel Tank Insert	
43	4	9939-0820-16	Skruv	Screw	
46	1	1134-0994-02	Rörklammer	Tube Clamp	
49	1	9578-0023-02	Slangklämma D12*8 (Svart)	Hose Clamp	
50	1	1134-5001-01	Motorremskiva	Engine Belt Pulley	
51	1	1134-5017-01	Bricka	Washer	



Utgåva Issue 20 - 2015		Transmission		Transmission	
Pos. Fig.	Antal Q.ty	Art nr Part No	Benämning	Description	Anmärkning Notes
1	1	1134-4000-01	Spännarm	Tension Arm	
2	1	1134-3459-01	Spännrulle	Tension Roller	
3	1	9924-1035-16	Skruv	Screw	
4	1	9799-1031-02	Mutter	Nut	
5	1	1134-9029-01	Kilrem	V-Belt	= 9585-0055-00
6	1	1134-3377-03	Reglagestang	Control Rod	
8	1	1134-4171-01	Ledtapp	Pivot Pin	
9	1	1134-4183-01	Fjäder	Spring	
10	2	1134-3456-01	Bussning	Bushing	
11	1	9747-0631-02	Mutter	Nut	
12	1	1134-1565-08	Distans	Spacer	
13	1	9997-0875-12	Skruv	Screw	
14	1	9699-0056-02	Bricka	Washer	
15	1	9747-0831-02	Mutter	Nut	
16	1	1134-3211-02	Fjäder	Spring	
17	1	1134-4849-01	Transaxel (K62)	Transaxel (K62)	Kanzaki K62E
18	2	1134-3376-01	Distansplat	Spacer Plate	
19	4	9997-0875-12	Skruv	Screw	L = 75 mm
20	4	9747-0831-02	Mutter	Nut	
22	1	1134-3913-01	Reaktionsstag 5-01 F24	Strut	
23	1	9959-0825-16	Skruv	Screw	L = 25 mm
23	1	9959-0820-16	Skruv	Screw	L = 20 mm
24	2	9747-0831-02	Mutter	Nut	
25	1	1134-4191-01	Remskiva	Belt Pulley	
26	1	1134-4190-01	Fläkt	Fan	
27	1	9699-0030-02	Bricka	Washer	
28	1	9747-1031-02	Mutter	Nut	
29	1	1134-3914-01	Vajerfäste 24	Cabel Holder	
30	1	9959-0820-16	Skruv	Screw	
31	1	9739-0831-22	Mutter	Nut	
32	1	1134-4049-01	Stag 24	Strut	
33	1	1134-4232-01	Fjäder	Spring	
34	1	1134-4758-01	Tank	Oil Tank	
35	1	1134-2777-02	Tanklock	Filler Cap	
36	1	1134-3734-01	Plugg (Service)	Vent Plug	
37	2	9945-0816-16	Skruv	Screw	
38	1	1134-4011-02	Slang (L380)	Oil Hose (L=380)	L = 380 mm
39	2	9578-0025-01	Slangklämma Dim 18-27 Gemi	Hose Clamp	
40	1	9579-0003-00	Buntband	Cable Holder	
50	1	1134-4015-01	Dragstang	Pull Rod	
51	1	1134-4014-01	Plastknopp	Knob	
52	1	1134-4713-01	Vinkelfäste	Angle Bracket	
53	1	1134-2790-01	Kabelgenomföring	Cable Protection	
54	1	9959-0816-16	Skruv	Screw	
55	1	9739-0831-22	Mutter	Nut	
56	1	9675-0009-02	Starlockbricka	Starlock	



Utgåva Issue 20 - 2015		Hjul Wheels			
Pos. Fig.	Antal Q.ty	Art nr Part No	Benämning	Description	Anmärkning Notes
1	2	1134-0075-01	Framaxeltapp	Front Axle	
2	2	9595-0258-00	Spännstift	Locating Pin	
3	2	1134-4844-01	Hjulnav	Wheel Hub	
4	2	9549-0054-01	Kullager	Ball Bearing	
5	2	1134-4558-01	Fälg	Rim	
6	2	9545-0124-01	Däck	Tyre	17 x 8.00 - 8
7	2	9545-0500-00	Ventil	Valve Assy.	
8	6	9747-1031-02	Mutter	Nut	
9	6	9699-0035-02	Bricka	Washer	
10	8	1134-0341-01	Bricka	Washer	
11	2	9599-0080-02	SaxSprint Sp 4*28	Cotter Pin	
12	2	1134-4844-03	Hjulnav Kpl	Wheel Hub Assy	
13	2	1134-4558-01	Fälg	Rim	
14	2	9545-0124-01	Däck	Tyre	17 x 8.00 - 8
15	2	9545-0500-00	Ventil	Valve Assy.	
16	6	9747-1031-02	Mutter	Nut	
17	6	9699-0035-02	Bricka	Washer	
18	2	1134-4796-01	Navkapsel	Hub Cap	
19	2	9947-0540-19	Skruv	Screw	
20	2	1134-3383-01	Kil	Key	
20	2	1134-3383-02	Kil	Key	L = 51 mm
20	2	1134-3383-01	Kil	Key	
21	2	9699-0116-02	Bricka	Washer	
22	2	9650-0025-04	Segersäkringsåkring Sga 25	Circlip	
22	2	9653-0002-04	Sparyttare	Lock Ring	
22	2	9650-0025-04	Segersäkringsåkring Sga 25	Circlip	
22	2	04/02/9653			
25	2	9598-0003-02	Spring Pin	Spring Pin	
26	2	9699-0042-02	Bricka	Washer	
99	1	9545-0203-00	Innerslang	Inner Tube	Reservdel/spare part
99	2	9545-0203-00	Innerslang	Inner Tube	Reservdel/spare part



1030E

Utgåva Issue 20 - 2015		PTO		PTO	
Pos. Fig.	Antal Q.ty	Art nr Part No	Benämning	Description	Anmärkning Notes
1	1	1134-5548-01	Distans	Spacer	
2	1	1134-5109-01	Spännhjulsarm	Tension Wheel Arm	
3	1	1134-1770-01	Spännhjul Kpl	Tension Roller	
4	1	1134-1888-04	Distans	Spacer	
5	1	1134-5111-01	Fjäder	Spring	
6	1	9699-0056-02	Bricka	Washer	
7	1	9739-0831-22	Mutter	Nut	
8	1	9997-0855-12	Skruv	Screw	
10	1	1134-1769-02	Remskiva	Belt Pulley	
11	1	1134-0051-09	Distans	Spacer	
12	2	9549-0019-00	Kullager	Ball Bearing	
13	1	1134-5112-01	Fjäder	Spring	
14	2	9945-0816-16	Skruv	Screw	
15	1	1134-5110-01	Hake	Hook	
16	2	9893-0616-16	Skruv	Screw	
18	1	1134-2018-02	Spännarm Kpl 5-01 24	Tension Arm	
19	1	1134-9027-01	Spännrulle (Svart)	Tension Roller (Black)	
20	1	1134-9071-01	Drivrem	Belt	= 9585-0129-01
21	1	9997-1030-16	Skruv	Screw	
22	1	9799-1031-02	Mutter	Nut	
23	1	1134-4111-01	Bromsarm Kpl	Brake Arm	
24	1	1134-4164-01	Bromsklots	Brake Pad	
25	1	9897-0825-16	Skruv	Screw	
26	1	9747-0831-02	Mutter	Nut	
27	1	1134-4162-01	Bromsstang	Brake Rod	
28	1	9675-0008-02	Starlockbricka	Starlock	
29	1	1134-4170-01	Nippel	Nippel	
30	1	9699-0025-02	Bricka	Washer	
31	1	9747-0631-02	Mutter	Nut	
32	1	4231-0013-00	Fjäder	Spring	
33	1	1134-4231-01	Fjäder	Brake Spring	
34	1	1134-1565-10	Distans	Spacer	
35	1	9997-0865-12	Skruv	Screw	
36	1	9699-0056-02	Bricka	Washer	
37	1	9739-0831-22	Mutter	Nut	
38	1	1134-4163-01	Ansatsskruv	Shoulder Bolt	
39	1	9747-1031-02	Mutter	Nut	
40	1	1134-3958-01	Remstyrning	Belt Guide	
41	2	9893-0616-16	Skruv	Screw	
42	1	1134-0041-03	Bussning	Bushing	
43	1	9997-1070-12	Skruv	Screw	
44	1	9739-1031-22	Mutter	Nut	
45	1	1134-3654-01	Fingerskydd 5-01 24	Guard	
46	2	9959-0612-16	Skruv	Screw	
47	2	9739-0631-22	Mutter	Nut	
48	1	9699-0090-02	Bricka Bricka	Washer Washer	
49	2	9699-0035-02	Bricka	Washer	
50	1	9699-0035-02	Bricka	Washer	

code	pos.	q.ty	page										
04/02/9653	22	2	p. 53	1134-3377-03	6	1	p. 51	1134-4073-01	31	1	p. 39		
1111-2113-01	3	1	p. 25	1134-3383-01	20	2	p. 53	1134-4077-01	9	1	p. 39		
1131-1497-01	50	1	p. 43	1134-3383-01	20	2	p. 53	1134-4078-01	10	1	p. 39		
1134-0031-00	3	1	p. 31	1134-3383-02	20	2	p. 53	1134-4079-01	6	1	p. 39		
1134-0041-01	17	2	p. 37	1134-3395-01	23	1	p. 43	1134-4080-03	7	1	p. 39		
1134-0041-02	11	4	p. 37	1134-3399-01	15	1	p. 47	1134-4082-03	16	2	p. 35		
1134-0041-03	42	1	p. 55	1134-3456-01	10	2	p. 51	1134-4083-01	9	2	p. 35		
1134-0051-09	11	1	p. 55	1134-3459-01	2	1	p. 51	1134-4084-01	14	4	p. 35		
1134-0075-01	1	2	p. 53	1134-3491-01	8	1	p. 47	1134-4085-01	7	1	p. 35		
1134-0225-00	11	2	p. 27	1134-3496-01	10	1	p. 47	1134-4093-01	41	1	p. 39		
1134-0234-02	30	1	p. 47	1134-3496-06	10	1	p. 47	1134-4111-01	23	1	p. 55		
1134-0240-00	10	2	p. 35	1134-3496-07	10	1	p. 47	1134-4117-01	1	1	p. 33		
1134-0240-00	11	1	p. 39	1134-3547-01	16	3	p. 37	1134-4120-03	21	1	p. 37		
1134-0240-00	16	2	p. 33	1134-3550-01	4	2	p. 37	1134-4129-01	40	4	p. 39		
1134-0240-00	24	2	p. 35	1134-3565-01	5	4	p. 37	1134-4130-01	32	1	p. 35		
1134-0266-00	19	1	p. 43	1134-3573-03	20	1	p. 39	1134-4135-01	34	1	p. 35		
1134-0267-00	20	1	p. 43	1134-3584-02	3	1	p. 43	1134-4142-01	26	1	p. 35		
1134-0341-01	10	8	p. 53	1134-3631-01	11	1	p. 47	1134-4144-01	8	1	p. 35		
1134-0994-02	46	1	p. 49	1134-3654-01	45	1	p. 55	1134-4152-01	26	1	p. 27		
1134-0995-01	16	1	p. 49	1134-3734-01	36	1	p. 51	1134-4153-01	19	1	p. 35		
1134-0997-01	18	1	p. 49	1134-3771-57	30	1	p. 25	1134-4154-01	39	1	p. 39		
1134-1565-01	37	1	p. 43	1134-3771-68	30	1	p. 25	1134-4156-01	1	1	p. 39		
1134-1565-08	12	1	p. 51	1134-3808-01	49	1	p. 43	1134-4159-01	20	1	p. 35		
1134-1565-08	37	2	p. 35	1134-3817-01	7	2	p. 37	1134-4160-01	18	2	p. 35		
1134-1565-09	34	2	p. 43	1134-3910-01	54	1	p. 45	1134-4162-01	27	1	p. 55		
1134-1565-10	34	1	p. 55	1134-3913-01	22	1	p. 51	1134-4163-01	38	1	p. 55		
1134-1769-02	10	1	p. 55	1134-3914-01	29	1	p. 51	1134-4164-01	24	1	p. 55		
1134-1770-01	3	1	p. 55	1134-3943-01	5	1	p. 27	1134-4167-01	23	1	p. 31		
1134-1888-04	4	1	p. 55	1134-3943-02	6	1	p. 27	1134-4170-01	29	1	p. 55		
1134-2018-02	18	1	p. 55	1134-3958-01	40	1	p. 55	1134-4171-01	8	1	p. 51		
1134-2021-01	26	1	p. 43	1134-3963-02	2	1	p. 31	1134-4172-01	25	1	p. 47		
1134-2171-01	5	1	p. 31	1134-3968-02	11	1	p. 31	1134-4176-01	8	2	p. 27		
1134-2310-01	31	1	p. 47	1134-3970-02	39	1	p. 27	1134-4176-01	16	2	p. 27		
1134-2551-01	19	1	p. 39	1134-3970-05	38	1	p. 27	1134-4177-01	20	2	p. 47		
1134-2551-01	30	1	p. 39	1134-3971-01	2	1	p. 27	1134-4179-01	50	1	p. 41		
1134-2609-01	8	2	p. 25	1134-3974-01	7	1	p. 43	1134-4179-02	50	1	p. 41		
1134-2684-01	2	2	p. 33	1134-3978-01	3	1	p. 27	1134-4183-01	9	1	p. 51		
1134-2700-01	10	2	p. 43	1134-3979-01	22	1	p. 27	1134-4185-01	6	2	p. 25		
1134-2766-04	16	1	p. 43	1134-3981-03	37	1	p. 39	1134-4187-01	32	1	p. 43		
1134-2777-02	35	1	p. 51	1134-3984-01	18	1	p. 27	1134-4190-01	26	1	p. 51		
1134-2780-01	9	2	p. 43	1134-3985-01	36	1	p. 27	1134-4191-01	25	1	p. 51		
1134-2790-01	53	1	p. 51	1134-3986-01	27	1	p. 39	1134-4195-01	15	1	p. 39		
1134-2816-01	10	4	p. 37	1134-3990-01	29	1	p. 35	1134-4213-01	23	1	p. 35		
1134-2820-02	2	3	p. 37	1134-3996-01	31	1	p. 43	1134-4216-01	17	1	p. 27		
1134-2820-04	3	1	p. 37	1134-4000-01	1	1	p. 51	1134-4217-01	21	1	p. 39		
1134-2820-06	1	1	p. 37	1134-4002-01	51	1	p. 43	1134-4220-02	14	1	p. 27		
1134-2824-01	6	10	p. 37	1134-4003-01	13	1	p. 25	1134-4222-01	1	1	p. 49		
1134-2837-02	28	1	p. 37	1134-4006-01	33	1	p. 39	1134-4222-02	1	1	p. 49		
1134-2858-01	47	1	p. 43	1134-4008-01	8	1	p. 43	1134-4224-01	2	1	p. 35		
1134-2859-01	46	1	p. 43	1134-4011-02	38	1	p. 51	1134-4231-01	33	1	p. 55		
1134-2871-01	51	1	p. 41	1134-4012-03	32	1	p. 27	1134-4232-01	33	1	p. 51		
1134-2871-03	34	2	p. 39	1134-4012-04	33	1	p. 27	1134-4242-01	12	2	p. 39		
1134-2872-02	45	1	p. 39	1134-4014-01	51	1	p. 51	1134-4247-01	1	1	p. 43		
1134-2878-01	2	1	p. 49	1134-4015-01	50	1	p. 51	1134-4249-01	0	1	p. 25		
1134-2941-01	24	2	p. 49	1134-4017-01	36	1	p. 43	1134-4273-03	23	2	p. 49		
1134-2962-01	5	1	p. 47	1134-4020-01	41	1	p. 43	1134-4338-01	45	1	p. 39		
1134-2975-01	32	1	p. 49	1134-4021-01	44	1	p. 43	1134-4356-01	27	1	p. 49		
1134-2975-04	32	1	p. 49	1134-4031-01	7	1	p. 49	1134-4360-01	21	1	p. 27		
1134-3022-01	18	2	p. 37	1134-4042-01	29	1	p. 43	1134-4411-01	42	1	p. 49		
1134-3084-01	27	1	p. 37	1134-4046-01	12	1	p. 49	1134-4481-01	40	1	p. 49		
1134-3085-01	24	1	p. 37	1134-4049-01	32	1	p. 51	1134-4481-02	34	1	p. 37		
1134-3156-01	28	1	p. 35	1134-4052-01	27	1	p. 47	1134-4481-02	40	1	p. 49		
1134-3211-02	16	1	p. 51	1134-4056-01	26	1	p. 47	1134-4487-01	25	1	p. 39		
1134-3224-01	30	1	p. 49	1134-4064-01	29	1	p. 49	1134-4487-02	25	1	p. 39		
1134-3225-01	31	1	p. 49	1134-4065-01	5	1	p. 39	1134-4541-01	2	1	p. 25		
1134-3376-01	18	2	p. 51	1134-4069-01	29	1	p. 39	1134-4558-01	5	2	p. 53		
				1134-4072-01	18	1	p. 39	1134-4558-01	13	2	p. 53		

code	pos.	q.ty	page									
1134-4593-04	99	1	p. 29	1139-1115-01	63	2	p. 21	1139-1289-01	129	2	p. 23	
1134-4713-01	52	1	p. 51	1139-1116-01	13	2	p. 21	1139-1290-01	104	1	p. 23	
1134-4734-01	10	2	p. 25	1139-1117-01	20	2	p. 21	1139-1292-01	16	2	p. 21	
1134-4736-01	15	1	p. 49	1139-1119-01	14	1	p. 21	1139-1293-01	23	3	p. 21	
1134-4749-01	44	1	p. 39	1139-1124-01	15	1	p. 21	1139-1331-01	126	1	p. 23	
1134-4757-02	22	1	p. 49	1139-1127-01	64	1	p. 21	1139-1332-01	76	1	p. 23	
1134-4757-04	22	1	p. 49	1139-1139-01	24	2	p. 21	1139-1333-01	78	1	p. 23	
1134-4758-01	34	1	p. 51	1139-1144-01	136	1	p. 23	1139-1347-01	43	1	p. 21	
1134-4760-01	4	1	p. 43	1139-1145-01	41	1	p. 21	1139-1349-01	122	1	p. 23	
1134-4796-01	18	2	p. 53	1139-1146-01	119	1	p. 23	4231-0013-00	20	1	p. 33	
1134-4797-01	1	1	p. 27	1139-1147-01	22	1	p. 21	4231-0013-00	32	1	p. 55	
1134-4798-01	30	1	p. 27	1139-1155-01	77	2	p. 23	8211-0209-10	31	1	p. 25	
1134-4799-02	41	1	p. 27	1139-1156-01	79	2	p. 23	8211-0209-11	31	1	p. 25	
1134-4800-01	49	1	p. 29	1139-1158-01	21	1	p. 21	8211-0276-04	31	1	p. 25	
1134-4801-01	50	1	p. 29	1139-1160-01	31	1	p. 21	8211-0276-05	31	1	p. 25	
1134-4804-01	12	1	p. 47	1139-1161-01	46	1	p. 21	8211-0277-03	31	1	p. 25	
1134-4806-01	1	1	p. 47	1139-1165-01	59	1	p. 21	8211-0277-04	31	1	p. 25	
1134-4833-01	19	1	p. 31	1139-1169-01	2	1	p. 21	8211-0278-04	31	1	p. 25	
1134-4844-01	3	2	p. 53	1139-1170-01	28	1	p. 21	8211-0278-05	31	1	p. 25	
1134-4844-03	12	2	p. 53	1139-1171-01	6	1	p. 21	8211-0321-04	31	1	p. 25	
1134-4849-01	17	1	p. 51	1139-1172-01	8	1	p. 21	8211-0321-05	31	1	p. 25	
1134-4860-01	15	1	p. 33	1139-1173-01	18	1	p. 21	8211-2002-03	31	1	p. 25	
1134-4938-01	17	1	p. 33	1139-1179-01	10	1	p. 21	8290-9014-01	2	1	p. 35	
1134-4944-01	57	1	p. 45	1139-1180-01	130	1	p. 23	9400-0231-00	33	2	p. 47	
1134-4945-01	3	1	p. 33	1139-1181-01	25	1	p. 21	9400-0244-00	1	2	p. 3	
1134-4952-01	9	1	p. 49	1139-1182-01	32	1	p. 21	9400-0280-02	48	1	p. 41	
1134-4970-01	23	1	p. 47	1139-1183-01	34	1	p. 21	9400-0280-03	49	1	p. 41	
1134-4999-01	19	1	p. 49	1139-1187-01	39	1	p. 21	9400-0282-01	47	2	p. 41	
1134-5001-01	50	1	p. 49	1139-1188-01	44	1	p. 21	9400-0285-01	23	1	p. 39	
1134-5017-01	51	1	p. 49	1139-1189-01	45	1	p. 21	9400-0290-01	99	1	p. 41	
1134-5086-01	40	1	p. 47	1139-1190-01	61	1	p. 21	9400-0293-01	25	1	p. 47	
1134-5101-01	48	1	p. 43	1139-1191-01	60	1	p. 21	9404-0020-00	17	1	p. 49	
1134-5109-01	2	1	p. 55	1139-1192-01	69	1	p. 23	9404-0025-01	41	1	p. 49	
1134-5110-01	15	1	p. 55	1139-1193-01	70	2	p. 23	9404-0027-01	7	1	p. 33	
1134-5111-01	5	1	p. 55	1139-1194-01	82	2	p. 23	9405-0029-00	46	1	p. 27	
1134-5112-01	13	1	p. 55	1139-1195-01	87	1	p. 23	9500-9991-00	16	1	p. 39	
1134-5173-01	30	1	p. 37	1139-1196-01	88	1	p. 23	9501-0500-00	6	2	p. 31	
1134-5177-01	32	1	p. 37	1139-1197-01	91	1	p. 23	9501-0500-00	10	2	p. 31	
1134-5216-01	31	1	p. 37	1139-1198-01	89	1	p. 23	9545-0124-01	6	2	p. 53	
1134-5227-01	14	1	p. 47	1139-1199-01	92	1	p. 23	9545-0124-01	14	2	p. 53	
1134-5245-01	13	1	p. 47	1139-1200-01	90	1	p. 23	9545-0203-00	99	1	p. 53	
1134-5269-01	27	1	p. 49	1139-1201-01	66	1	p. 21	9545-0203-00	99	2	p. 53	
1134-5294-01	16	1	p. 31	1139-1203-01	67	2	p. 21	9545-0500-00	7	2	p. 53	
1134-5313-01	8	1	p. 31	1139-1207-01	71	1	p. 23	9545-0500-00	15	2	p. 53	
1134-5315-01	1	1	p. 31	1139-1208-01	68	1	p. 23	9547-0001-00	9	2	p. 31	
1134-5358-01	21	1	p. 39	1139-1210-01	72	1	p. 23	9549-0017-00	25	2	p. 37	
1134-5514-01	17	1	p. 31	1139-1212-01	5	1	p. 21	9549-0019-00	12	2	p. 55	
1134-5548-01	1	1	p. 55	1139-1213-01	80	1	p. 23	9549-0054-01	4	2	p. 53	
1134-9024-01	2	1	p. 43	1139-1216-01	35	1	p. 21	9570-0001-00	17	2	p. 43	
1134-9027-01	19	1	p. 55	1139-1217-01	121	1	p. 23	9578-0011-00	8	1	p. 49	
1134-9028-01	43	1	p. 27	1139-1219-01	146	1	p. 23	9578-0023-02	33	1	p. 49	
1134-9029-01	5	1	p. 51	1139-1220-01	124	1	p. 23	9578-0023-02	49	1	p. 49	
1134-9071-01	20	1	p. 55	1139-1221-01	125	1	p. 23	9578-0025-01	39	2	p. 51	
1139-0244-01	17	12	p. 21	1139-1222-01	126	1	p. 23	9579-0003-00	32	15	p. 47	
1139-1005-01	29	1	p. 21	1139-1223-01	127	8	p. 23	9579-0003-00	34	1	p. 49	
1139-1006-01	7	5	p. 21	1139-1224-01	128	1	p. 23	9579-0003-00	40	1	p. 51	
1139-1021-01	26	3	p. 21	1139-1225-01	76	1	p. 23	9595-0258-00	2	2	p. 53	
1139-1022-01	38	2	p. 21	1139-1226-01	78	1	p. 23	9595-0258-00	30	1	p. 43	
1139-1024-01	40	1	p. 21	1139-1227-01	85	1	p. 23	9595-0262-00	4	1	p. 25	
1139-1026-01	42	1	p. 21	1139-1228-01	86	1	p. 23	9595-0262-00	4	1	p. 31	
1139-1044-01	81	2	p. 23	1139-1229-01	142	1	p. 23	9595-0276-01	9	1	p. 33	
1139-1057-01	9	1	p. 21	1139-1230-01	103	1	p. 23	9598-0003-02	25	2	p. 53	
1139-1102-01	62	1	p. 21	1139-1277-01	11	2	p. 21	9599-0080-02	11	2	p. 53	
1139-1104-01	12	1	p. 21	1139-1278-01	100	2	p. 23	9600-0251-01	20	1	p. 49	
1139-1110-01	27	1	p. 21	1139-1280-01	47	1	p. 21	9632-0513-00	47	1	p. 27	
1139-1114-01	93	1	p. 23	1139-1285-01	54	1	p. 21	9632-0516-00	44	1	p. 27	
				1139-1287-01	36	1	p. 21	9632-0522-00	35	2	p. 35	

code	pos.	q.ty	page								
9632-0522-00	41	1	p. 47	9739-0831-22	31	1	p. 51	9897-0820-16	2	2	p. 39
9650-0025-04	22	2	p. 53	9739-0831-22	31	2	p. 35	9897-0820-16	5	4	p. 35
9650-0025-04	22	2	p. 53	9739-0831-22	35	2	p. 27	9897-0820-16	13	1	p. 33
9650-0039-04	8	1	p. 33	9739-0831-22	35	2	p. 43	9897-0820-16	22	4	p. 37
9653-0002-04	22	2	p. 53	9739-0831-22	37	1	p. 55	9897-0820-16	30	2	p. 35
9665-0002-00	12	2	p. 35	9739-0831-22	40	1	p. 43	9897-0825-16	25	1	p. 55
9675-0008-02	4	7	p. 27	9739-0831-22	43	2	p. 43	9897-0880-12	4	2	p. 35
9675-0008-02	28	1	p. 55	9739-0831-22	55	1	p. 51	9897-1040-12	14	2	p. 37
9675-0009-02	56	1	p. 51	9739-0831-22	56	3	p. 45	9924-1035-16	3	1	p. 51
9675-0012-02	45	2	p. 43	9739-1031-22	15	4	p. 37	9939-0816-16	15	4	p. 35
9694-0001-00	13	1	p. 39	9739-1031-22	20	2	p. 37	9939-0820-16	43	4	p. 49
9695-0011-00	4	2	p. 39	9739-1031-22	44	1	p. 55	9942-0612-16	32	1	p. 39
9695-0011-00	29	1	p. 37	9747-0531-02	17	2	p. 47	9943-0516-16	17	1	p. 39
9699-0025-02	9	2	p. 27	9747-0531-02	25	2	p. 27	9945-0816-16	12	6	p. 27
9699-0025-02	30	1	p. 55	9747-0631-02	10	2	p. 27	9945-0816-16	14	2	p. 55
9699-0025-02	56	1	p. 41	9747-0631-02	11	1	p. 33	9945-0816-16	20	2	p. 31
9699-0028-02	46	2	p. 39	9747-0631-02	11	1	p. 51	9945-0816-16	37	2	p. 51
9699-0030-02	27	1	p. 51	9747-0631-02	28	1	p. 49	9946-0525-16	20	2	p. 27
9699-0035-02	9	6	p. 53	9747-0631-02	31	1	p. 55	9946-0525-16	23	5	p. 27
9699-0035-02	12	4	p. 37	9747-0831-02	6	6	p. 35	9946-0525-16	38	4	p. 39
9699-0035-02	13	2	p. 31	9747-0831-02	9	2	p. 37	9947-0540-19	19	2	p. 53
9699-0035-02	17	6	p. 53	9747-0831-02	13	2	p. 35	9950-0570-12	24	2	p. 27
9699-0035-02	49	2	p. 55	9747-0831-02	14	1	p. 33	9959-0612-16	46	2	p. 55
9699-0035-02	50	1	p. 55	9747-0831-02	15	1	p. 51	9959-0816-16	5	2	p. 43
9699-0042-02	26	2	p. 53	9747-0831-02	20	4	p. 51	9959-0816-16	14	1	p. 43
9699-0056-02	6	1	p. 55	9747-0831-02	24	2	p. 51	9959-0816-16	17	4	p. 35
9699-0056-02	13	4	p. 27	9747-0831-02	26	1	p. 55	9959-0816-16	34	1	p. 27
9699-0056-02	14	1	p. 51	9747-0831-02	28	1	p. 49	9959-0816-16	34	1	p. 27
9699-0056-02	21	1	p. 35	9747-0831-02	53	2	p. 45	9959-0816-16	34	2	p. 27
9699-0056-02	36	1	p. 55	9747-1031-02	8	6	p. 53	9959-0816-16	42	2	p. 43
9699-0056-02	39	1	p. 43	9747-1031-02	16	6	p. 53	9959-0816-16	54	1	p. 51
9699-0060-02	52	4	p. 29	9747-1031-02	28	1	p. 51	9959-0816-16	55	3	p. 45
9699-0060-02	53	1	p. 29	9747-1031-02	39	1	p. 55	9959-0820-16	7	2	p. 25
9699-0062-02	9	2	p. 25	9794-5131-02	7	2	p. 47	9959-0820-16	8	2	p. 39
9699-0069-02	11	2	p. 35	9795-3531-02	24	1	p. 47	9959-0820-16	10	1	p. 49
9699-0087-02	36	3	p. 35	9799-1031-02	4	1	p. 51	9959-0820-16	11	2	p. 43
9699-0090-02	8	2	p. 37	9799-1031-02	22	1	p. 55	9959-0820-16	13	4	p. 49
9699-0090-02	48	1	p. 55	9837-8914-12	16	2	p. 25	9959-0820-16	14	2	p. 25
9699-0099-02	4	4	p. 49	9838-9516-12	9	2	p. 47	9959-0820-16	21	2	p. 31
9699-0103-02	5	1	p. 25	9838-9516-12	42	2	p. 27	9959-0820-16	23	1	p. 51
9699-0114-02	5	1	p. 25	9838-9516-12	52	3	p. 45	9959-0820-16	24	2	p. 43
9699-0116-02	21	2	p. 53	9840-7716-16	24	2	p. 39	9959-0820-16	30	1	p. 51
9699-0120-02	45	1	p. 27	9840-7716-16	28	2	p. 47	9959-0825-16	23	1	p. 51
9699-0120-02	48	1	p. 29	9840-8009-16	19	2	p. 27	9959-1020-16	14	2	p. 31
9710-0631-12	33	1	p. 37	9840-8009-16	24	4	p. 31	9987-5332-16	21	1	p. 49
9739-0531-22	18	4	p. 43	9840-8009-16	33	4	p. 35	9997-0512-16	3	4	p. 49
9739-0531-22	22	2	p. 43	9849-7819-16	19	2	p. 47	9997-0512-16	35	3	p. 39
9739-0531-22	36	3	p. 39	9849-8013-16	22	2	p. 39	9997-0520-16	16	2	p. 47
9739-0631-22	19	2	p. 33	9849-8013-16	27	3	p. 35	9997-0520-16	21	2	p. 43
9739-0631-22	29	2	p. 27	9852-8013-16	22	2	p. 39	9997-0520-16	35	3	p. 39
9739-0631-22	35	2	p. 47	9893-0616-16	2	2	p. 47	9997-0625-16	18	2	p. 33
9739-0631-22	47	2	p. 55	9893-0616-16	6	2	p. 47	9997-0630-12	35	1	p. 37
9739-0831-22	3	2	p. 39	9893-0616-16	7	4	p. 27	9997-0640-12	10	1	p. 33
9739-0831-22	6	2	p. 43	9893-0616-16	15	6	p. 27	9997-0840-16	5	4	p. 49
9739-0831-22	6	4	p. 49	9893-0616-16	16	2	p. 55	9997-0840-16	33	2	p. 43
9739-0831-22	7	1	p. 55	9893-0616-16	18	2	p. 31	9997-0850-16	38	1	p. 43
9739-0831-22	11	1	p. 49	9893-0616-16	25	4	p. 49	9997-0855-12	8	1	p. 55
9739-0831-22	12	2	p. 43	9893-0616-16	26	2	p. 37	9997-0865-12	35	1	p. 55
9739-0831-22	14	1	p. 39	9893-0616-16	26	2	p. 39	9997-0870-16	13	1	p. 43
9739-0831-22	14	4	p. 49	9893-0616-16	27	3	p. 27	9997-0875-12	13	1	p. 51
9739-0831-22	15	2	p. 25	9893-0616-16	28	2	p. 27	9997-0875-12	19	4	p. 51
9739-0831-22	15	3	p. 43	9893-0616-16	28	4	p. 39	9997-1030-16	19	2	p. 37
9739-0831-22	22	1	p. 35	9893-0616-16	31	4	p. 27	9997-1030-16	21	1	p. 55
9739-0831-22	22	2	p. 31	9893-0616-16	37	2	p. 27	9997-1050-16	13	2	p. 37
9739-0831-22	23	4	p. 37	9893-0616-16	40	3	p. 27	9997-1070-12	43	1	p. 55
9739-0831-22	25	2	p. 43	9893-0616-16	41	2	p. 55	19203	2	1	p. 9
				9893-0616-16	51	4	p. 29	19374	3	1	p. 3

code	pos.	q.ty	page									
93410	16	1	p. 13	690754	1	1	p. 11	692053	15	1	p. 19	
272490	4	1	p. 13	690757	19	1	p. 13	692056	8	2	p. 5	
280275	10	1	p. 9	690854	6	1	p. 17	692056	20	1	p. 13	
393815	26	1	p. 11	690855	5	1	p. 17	692057	19	4	p. 3	
394018	5	1	p. 13	690878	14	1	p. 5	692058	16	4	p. 3	
399916	2	1	p. 9	690887	3	1	p. 9	692059	10	8	p. 3	
492341	8	1	p. 9	690902	1	1	p. 3	692062	10	2	p. 17	
492932	12	1	p. 11	690923	4	1	p. 5	692062	21	1	p. 13	
493880	9	1	p. 9	690939	8	2	p. 13	692063	14	1	p. 19	
496813	7	1	p. 17	690946	17	1	p. 5	692063	15	1	p. 11	
496880	9	2	p. 17	690973	13	2	p. 3	692066	7	2	p. 9	
496881	2	1	p. 17	690973	13	4	p. 3	692067	2	2	p. 3	
496887	8	1	p. 17	690977	4	4	p. 3	692067	4	2	p. 9	
497608	16	1	p. 17	691024	2	1	p. 5	692067	4	2	p. 9	
690236	11	1	p. 5	691029	18	1	p. 17	692069	5	1	p. 5	
690238	13	1	p. 5	691035	28	1	p. 11	692073	9	1	p. 5	
690239	12	1	p. 5	691038	25	4	p. 11	692076	2	2	p. 3	
690283	13	1	p. 11	691050	24	1	p. 11	692079	3	1	p. 13	
690323	20	2	p. 17	691077	13	1	p. 9	692081	10	1	p. 19	
690586	15	1	p. 9	691084	12	1	p. 9	692081	14	1	p. 13	
690676	3	2	p. 11	691124	3	1	p. 17	692083	3	1	p. 5	
690677	18	2	p. 13	691185	5	1	p. 9	692084	17	2	p. 3	
690679	18	1	p. 11	691286	19	1	p. 17	692084	18	2	p. 3	
690680	17	1	p. 19	691293	15	1	p. 17	692093	8	1	p. 11	
690680	21	1	p. 7	691492	16	2	p. 5	692097	1	1	p. 13	
690680	37	1	p. 19	691494	26	1	p. 3	692101	9	1	p. 11	
690681	13	1	p. 19	691508	7	1	p. 5	692154	16	1	p. 19	
690681	15	2	p. 5	691511	32	1	p. 15	692154	20	1	p. 7	
690682	16	1	p. 11	691515	5	1	p. 13	692159	8	1	p. 5	
690683	4	4	p. 5	691515	20	1	p. 19	692319	16	1	p. 9	
690686	10	1	p. 9	691530	9	1	p. 5	692343	30	1	p. 19	
690688	5	1	p. 3	691543	14	2	p. 3	692343	31	1	p. 15	
690689	12	1	p. 5	691543	14	4	p. 3	692539	6	1	p. 3	
690698	2	4	p. 5	691548	20	1	p. 13	692539	11	1	p. 13	
690701	23	1	p. 7	691548	22	1	p. 19	692540	22	9	p. 7	
690704	24	1	p. 7	691550	28	1	p. 7	692542	10	1	p. 13	
690705	1	1	p. 5	691551	7	1	p. 3	692543	5	1	p. 9	
690706	3	2	p. 3	691552	3	4	p. 9	693167	17	1	p. 17	
690706	17	1	p. 11	691557	11	1	p. 5	693186	13	1	p. 5	
690712	10	1	p. 5	691558	7	1	p. 3	693547	14	1	p. 17	
690714	8	1	p. 3	691559	21	1	p. 11	693548	13	1	p. 17	
690728	12	2	p. 13	691561	13	1	p. 13	693587	21	2	p. 17	
690728	15	2	p. 13	691564	1	1	p. 17	694069	36	1	p. 15	
690729	14	1	p. 13	691577	7	1	p. 13	696458	1	1	p. 9	
690730	10	1	p. 13	691612	14	1	p. 9	698332	17	1	p. 9	
690730	33	1	p. 19	691613	2	1	p. 19	710081	17	1	p. 13	
690731	2	1	p. 13	691613	28	2	p. 3	805049	3	1	p. 19	
690731	34	1	p. 19	691639	10	1	p. 5	805049	25	1	p. 7	
690732	11	1	p. 13	691684	9	1	p. 19	805101	12	1	p. 9	
690733	21	1	p. 13	691684	19	1	p. 5	805101	12	1	p. 19	
690733	36	1	p. 19	691694	4	1	p. 11	805578	21	1	p. 19	
690735	18	1	p. 13	691694	5	1	p. 19	805578	28	1	p. 13	
690735	35	1	p. 19	691694	7	1	p. 13	806039	4	1	p. 19	
690736	19	1	p. 13	691758	5	4	p. 3	806039	6	2	p. 3	
690736	24	1	p. 19	691758	5	4	p. 3	806083	6	1	p. 9	
690737	27	1	p. 13	691836	5	4	p. 3	806085	7	1	p. 19	
690738	25	1	p. 19	691836	5	4	p. 3	806085	21	2	p. 3	
690738	26	1	p. 13	691870	10	1	p. 11	806469	13	2	p. 9	
690739	23	1	p. 13	691870	11	1	p. 19	806472	37	1	p. 15	
690739	38	1	p. 19	691902	27	4	p. 3	806476	38	1	p. 15	
690743	9	1	p. 13	691963	23	4	p. 3	806476	42	1	p. 19	
690744	6	1	p. 9	691963	41	1	p. 19	806477	9	1	p. 13	
690746	6	2	p. 11	691972	11	1	p. 9	806477	31	1	p. 19	
690750	10	1	p. 3	691985	2	1	p. 13	806481	27	1	p. 19	
690751	8	1	p. 9	692035	2	2	p. 11	806481	33	1	p. 15	
690753	5	1	p. 11	692035	6	1	p. 19	806487	24	1	p. 13	
				692053	11	1	p. 11	806487	26	1	p. 19	
								806488	3	1	p. 13	

code	pos.	q.ty	page				
806488	32	1	p. 19	808777	12	1	p. 17
806497	22	2	p. 11	808778	4	1	p. 17
806546	9	1	p. 3	808807	18	1	p. 19
806547	4	1	p. 3	808846	18	1	p. 5
806634	35	1	p. 15	808988	7	1	p. 9
806635	16	1	p. 13	809094	8	1	p. 19
806635	23	1	p. 19	809157	12	2	p. 3
806660	23	2	p. 11	809200	11	1	p. 3
806685	26	1	p. 7	809201	22	1	p. 3
806686	27	1	p. 7				
806944	12	1	p. 13				
807084	6	2	p. 13				
807084	7	1	p. 11				
807084	9	4	p. 3				
807084	20	2	p. 11				
807085	8	4	p. 3				
807163	11	2	p. 3				
807619	3	2	p. 5				
807619	3	2	p. 5				
807620	5	2	p. 5				
807620	5	2	p. 5				
807621	6	2	p. 5				
807623	20	4	p. 3				
807680	24	2	p. 3				
807681	25	2	p. 3				
807683	15	4	p. 3				
807705	6	1	p. 13				
807706	13	1	p. 13				
807706	29	1	p. 19				
807710	22	1	p. 13				
807711	25	1	p. 13				
807713	34	1	p. 15				
807714	8	1	p. 13				
807715	30	1	p. 15				
807717	28	1	p. 19				
807717	29	1	p. 15				
807803	1	2	p. 5				
807803	1	2	p. 5				
807807	3	2	p. 5				
807807	3	2	p. 5				
807808	5	2	p. 5				
807808	5	2	p. 5				
807809	3	2	p. 5				
807809	3	2	p. 5				
807810	5	2	p. 5				
807810	5	2	p. 5				
807811	3	2	p. 5				
807811	3	2	p. 5				
807812	5	2	p. 5				
807812	5	2	p. 5				
807900	1	2	p. 5				
807900	1	2	p. 5				
808055	15	1	p. 13				
808095	7	1	p. 5				
808235	14	1	p. 11				
808258	4	1	p. 13				
808258	19	1	p. 19				
808323	17	1	p. 13				
808325	39	1	p. 19				
808390	1	1	p. 19				
808392	40	1	p. 19				
808454	6	1	p. 5				
808534	11	1	p. 9				
808656	19	1	p. 11				
808728	1	1	p. 13				
808766	4	1	p. 9				