



Reservdelskatalog Parts Catalogue

PARK PRO 16

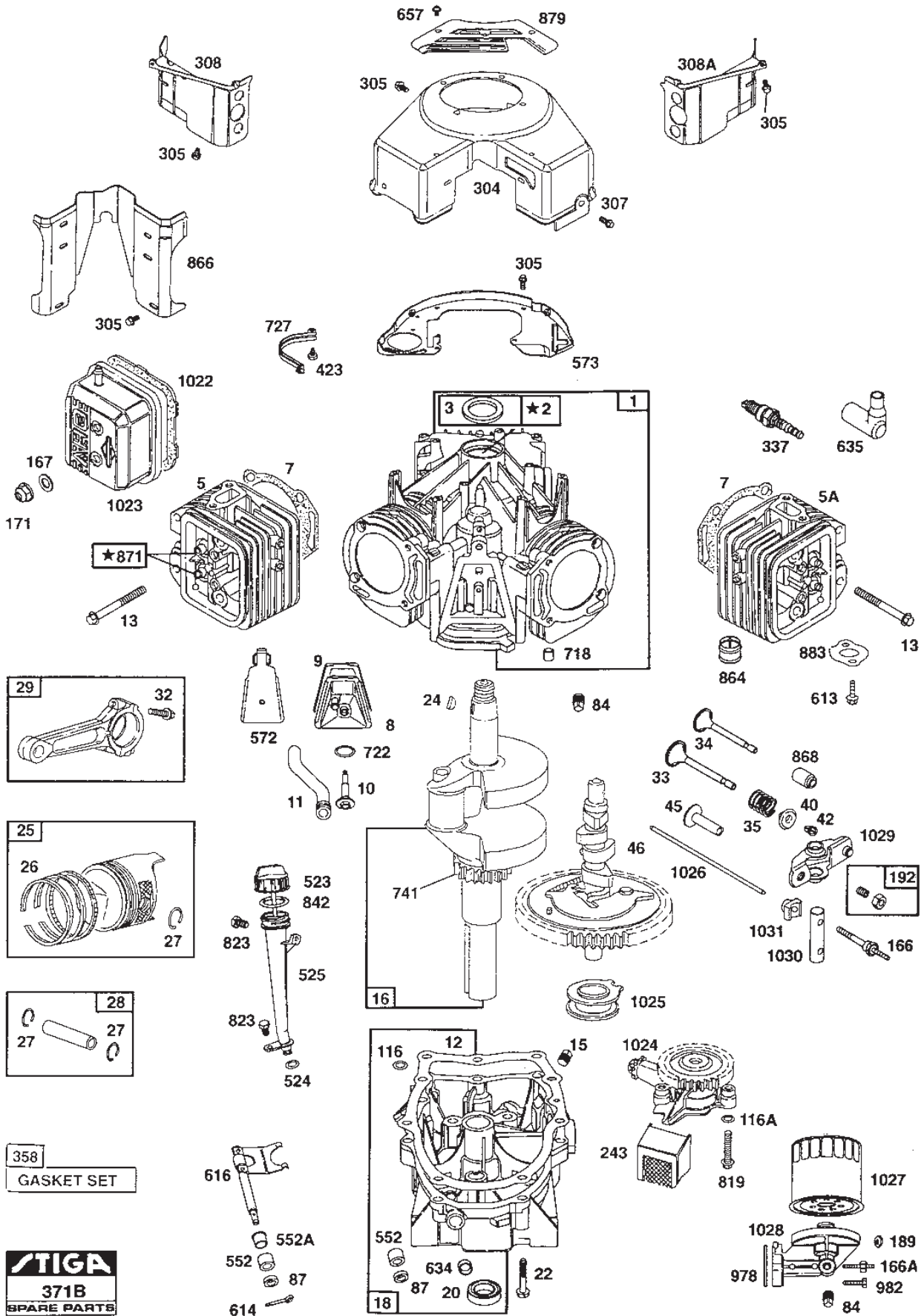
13-6216-42 - Season 2001

- Use GLOBAL GARDEN PRODUCT Genuine Spare Parts specified in the parts list for repair and/or replacement.
 - The contents described in the parts list may change due to improvement.
 - The drawings of the spare parts are only indicative and might not represent the part in question exactly.
 - The indications "right" - "left" - "front" - "rear" refer to the position of the operator when using the machine.
- When placing orders of parts for repair and/or replacement, make sure that the illustrated parts list is the one applying to the machine's year of manufacture, as shown on the identification plate attached to the machine.

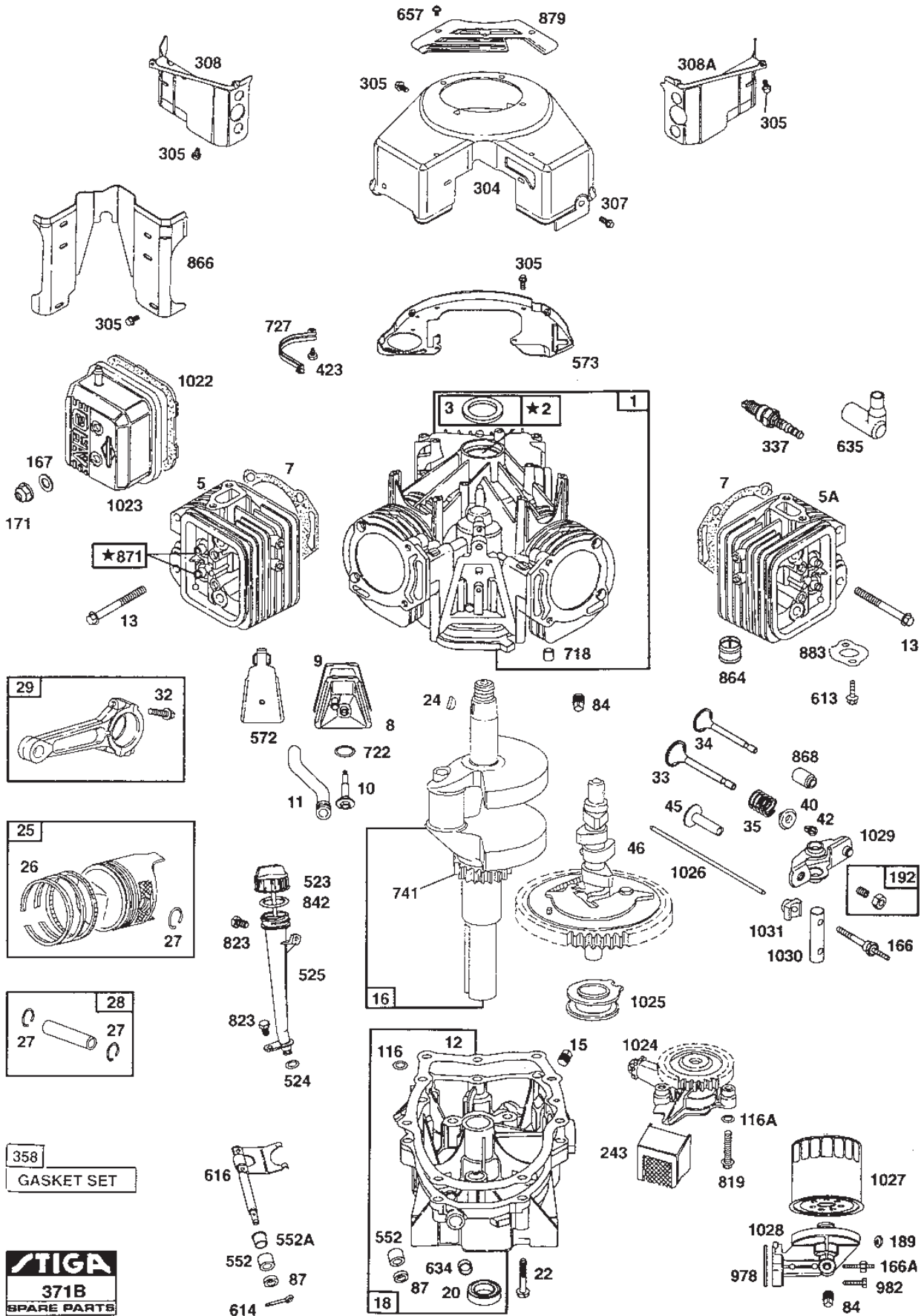
© Copyright 2014 Global Garden Products

All rights reserved. No part of this material may be reproduced or transmitted, in any form or by any means, electronic or mechanical, including photocopying, recording or by any information storage and retrieval system, without permission in writing from GLOBAL GARDEN PRODUCTS.

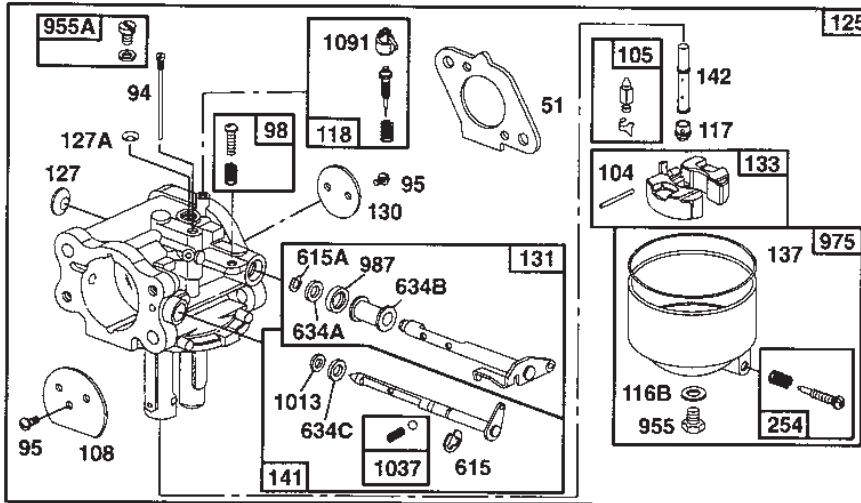
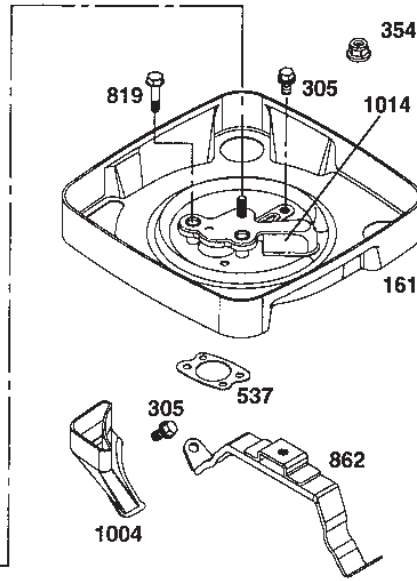
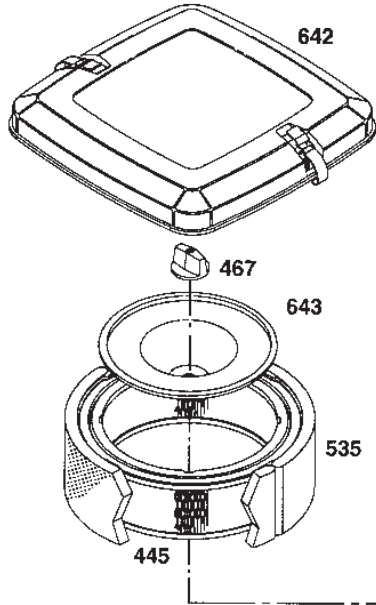
www.stiga.com



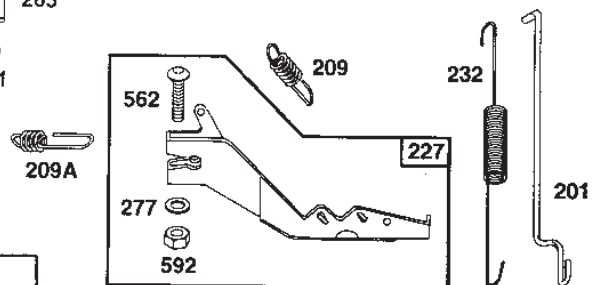
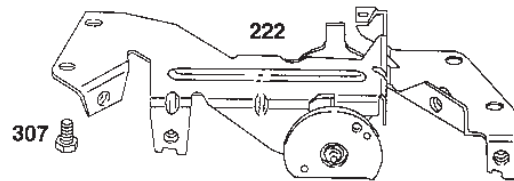
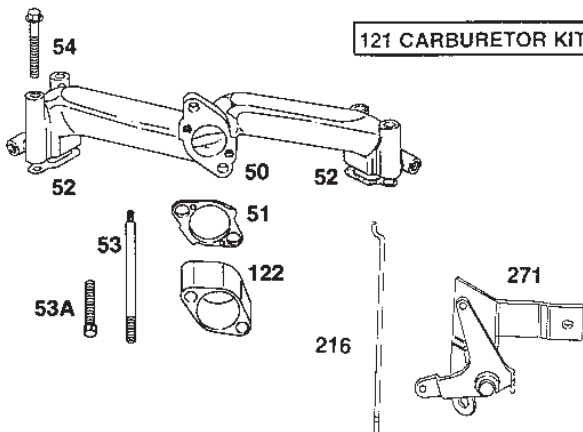
Utgåva Issue 48 - 2014		Cylinder Vevhus	Cylinder Crankcase		
Pos. Fig.	Antal Quantity	Art nr Part No	Benämning	Description	Anmärkning Notes
1	1	807511	Cylinder	Cylinder	
2	1	805107	Bearing	Bearing	
3	1	805101	Oil seal	Oil seal	
5	1	807987	Topplöck	Cylinder Head	
5	1	807988	Topplöck	Cylinder Head	
7	2	807986	Packning	Gasket	
8	1	807795	Vevhusventilation	Breather	
9	1	805379	Packning	Gasket	
10	1	805751	Skruv	Screw	
11	1	805362	Rör	Tube	
12	1	805112	Packning	Gasket	
13	8	805097	Skruv	Screw	
15	1	805048	Oil drain plug	Oil drain plug	
16	1	807586	Crankshaft	Crankshaft	
18	1	807638	Crankcase	Crankcase	
20	1	805049	Oil seal	Oil seal	
22	9	805017	Skruv	Screw	
24	1	805016	Kil	Key	
25	2	807619	Kolv	Piston	STD
25	2	807811	Kolv	Piston	0.030" oversize
25	2	807809	Kolv	Piston	0.020" oversize
25	2	807807	Kolv	Piston	0.010" oversize
26	2	807620	Ring set	Ring set	STD
26	2	807812	Foam grip	Ring set	0.030" oversize
26	2	807810	Breather assy	Ring set	0.020" oversize
26	2	807808	Breather body	Ring set	0.010" oversize
27	4	805099	Lasring	Lock	
28	2	807621	Kolvspind	Piston Pin	
29	2	807622	Connecting Rod	Connecting Rod	
32	4	805395	Skruv	Screw	
33	2	805089	Exhaust valve	Exhaust valve	
34	2	805090	Insugningsventil	Intake valve	
35	4	805937	Fjäder	Spring	
40	4	805092	Retainer	Retainer	
42	4	805161	Retainer	Retainer	
45	4	805354	Valve tappet	Valve tappet	
46	1	807542	Kamaxel	Camshaft	
84	2	91488	Plugg	Plug	
87	1	805054	Seal	Seal	
116	1	805198	O-ring	O-ring	
116	2	805058	O-ring	O-ring	
166	1	805073	Stud	Stud	
166	4	805343	Stud	Stud	
167	4	805420	Bricka	Washer	
171	4	805019	Mutter	Nut	
189	2	805449	Bricka	Washer	
192	2	807623	Skruv	Screw	
243	1	805964	Oil screen	Oil screen	
304	1	807899	Bearing	Blower housing	



Utgåva Issue 48 - 2014		Cylinder Vevhus	Cylinder Crankcase		
Pos. Fig.	Antal Quantity	Art nr Part No	Benämning	Description	Anmärkning Notes
305	12	805406	Skruv	Screw	
307	2	805025	Skruv	Screw	
308	1	807098	Ledplat	Air Guide	
308	1	807097	Ledplat	Air Guide	
337	2	491055	Spark plug-long thr	Spark plug-long thr.	Champion RC-12YC
337	2	9400-0244-00	Tändstift	Spark Plug	Champion RC-12YC
358	1	807989	Packningssats	Gasket set	Märkta/marked S
423	2	805260	Skruv	Screw	
523	1	807985	Clevis pin	Oil dipstick	
524	1	805011	Oil seal	Oil seal	
525	1	807611	Pafyllningsrör	Oil filler tube	
552	1	805413	Bussning	Bushing	
552	1	805412	Bussning	Bushing	
572	1	805197	Baffle	Baffle	
573	1	807663	Back plate	Back plate	
613	4	805158	Skruv	Screw	
614	1	805417	Saxpinne	Cotter pin	
616	1	807596	Governor fork	Governor fork	
634	1	805416	Bricka	Washer	
635	2	805529	Tändstiftsskydd	Spark plug elbow	
657	2	805009	Skruv	Screw	
718	2	805103	Styrpinne	Dowel pin	
722	1	805483	Seal	Seal	
727	1	805505	Shield	Shield	
741	1	805675	Gear	Gear	
819	2	805057	Skruv	Screw	
823	2	805317	Skruv	Screw	
842	1	270920	Tätning	Seal	
864	2	805083	Avgasport	Exhaust port liner	
866	1	805738	Valley cover	Valley cover	
868	4	805094	Seal	Seal	
871	4	805084	Valve guide	Valve guide	
879	1	805841	Förgasarkapa	Carburettor Cover	
883	2	805024	Packning	Gasket	
978	1	805250	Packning	Gasket	
982	2	805030	Skruv	Screw	
1022	2	806039	Packning	Gasket	
1023	2	805100	Valve cover	Valve cover	
1024	1	807546	Oil pump	Oil pump	
1025	1	805313	Governor slider	Governor slider	
1026	2	805352	Stötstang (stål)	Push rod (steel)	
1026	2	805617	Stötstang (alum)	Push rod (alum)	
1027	1	492932	Oljefilter	Oil Filter	
1028	1	805292	Oljefilteradapter	Oil filter adapter	
1029	4	808096	Vipparm	Rocker arm	
1030	2	805342	Axel	Shaft	
1031	4	805341	Fäste	Support	

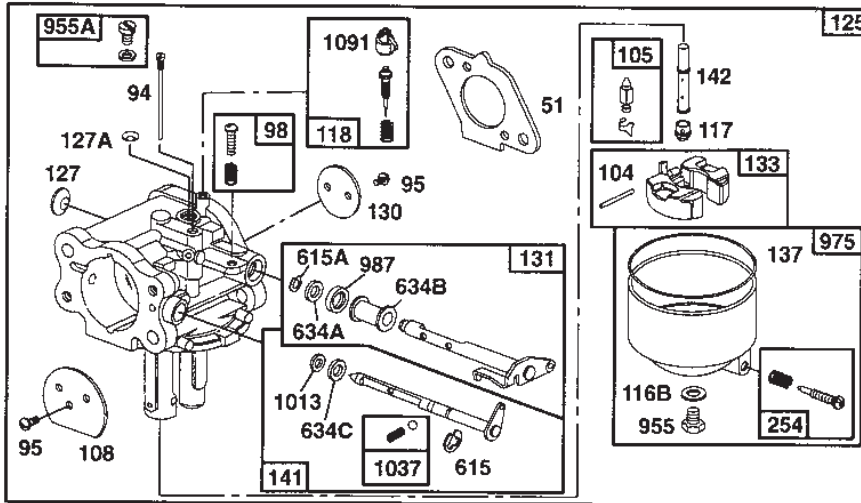
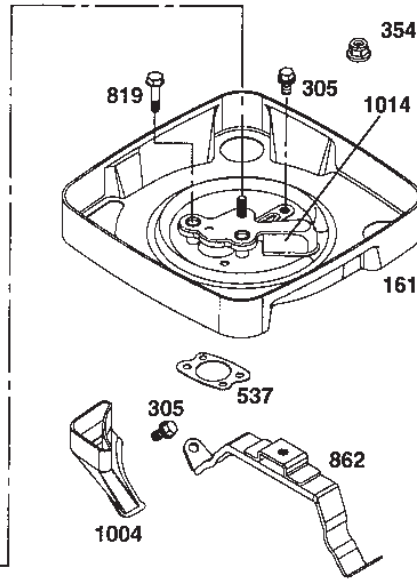
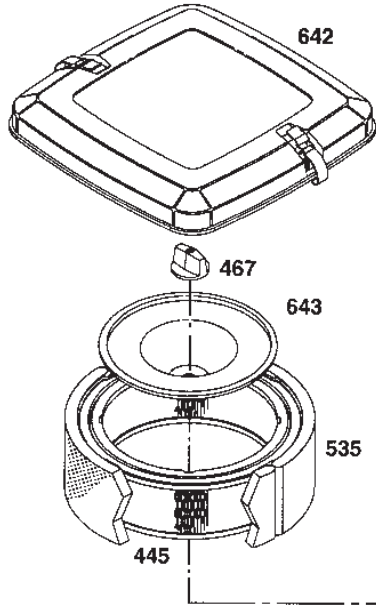


121 CARBURETOR KIT

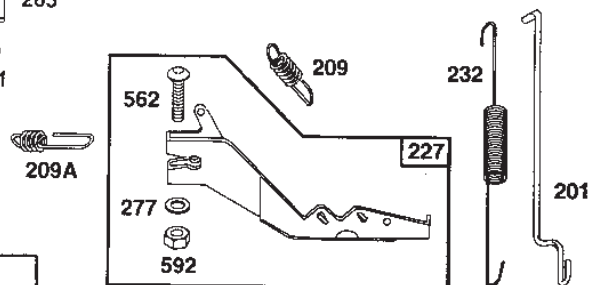
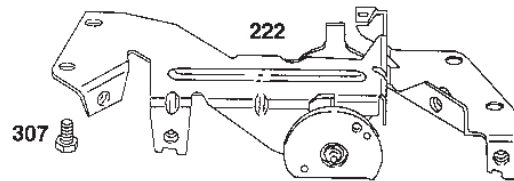
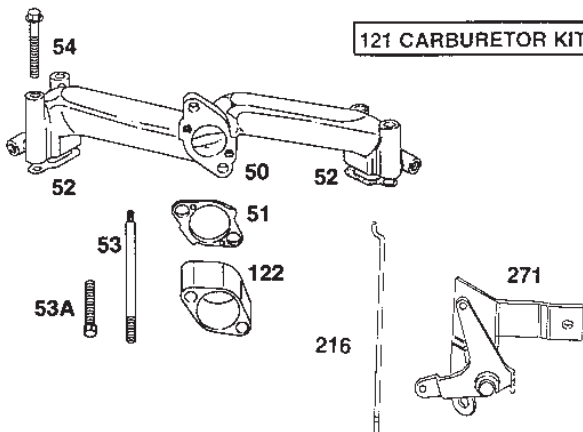


358 GASKET SET

Utgåva Issue 48 - 2014		Förgasare Luftfilter	Carburettor Air Cleaner		
Pos. Fig.	Antal Quantity	Art nr Part No	Benämning	Description	Anmärkning Notes
50	1	805772	Insugningsrör	Intake Manifold	
51	1	805149	Packning	Gasket	
52	2	805023	Packning	Gasket	
53	2	805360	Skruv	Screw	
53	1	805669	Stud	Stud	
54	4	805006	Skruv	Screw	
94	1	805777	Nozzle	Nozzle	
95	2	805561	Skruv	Screw	
98	1	807705	Skruv	Screw	
104	1	805586	Flottöaxel	Hinge pin	
105	1	807706	Exhaust valve assy	Fuel inlet valve	
108	1	805562	Choke valve	Choke valve	
118	1	808258	Justerskruv	Idle valve	
121	1	808264	Blade set	Carburettor overhaul	Märkta/marked F
122	1	805770	Distans	Spacer	
125	1	808255	Förgasare kpl	Carburettor Assy	
127	1	805571	Welch plug	Welch plug	
127	1	805570	Welch plug	Welch plug	
130	1	805572	Gasspjäll	Throttle Valve	
131	1	807709	Spjällsaxeln	Throttle Shaft	
133	1	807710	Flottör	Float	
141	1	807711	Exhaust valve assy	Choke shaft	
142	1	807712	Oil pump	Nozzle	
161	1	807857	Luftrenarfäste	Air Cleaner Base	
187	1	393815	Bränsleledning	Fuel line	279 mm
201	1	805480	Governor link	Governor link	
209	1	805453	Fjäder	Spring	
209	1	805461	Fjäder	Spring	
216	1	805439	Choke link	Choke link	
222	1	807610	Fäste	Control Bracket	
227	1	807528	Governor lever	Governor lever	
232	1	805465	Fjäder	Spring	
240	1	493629	Bränslefilter	Fuel Filter	
254	1	807713	Dräneringsskruv	Drain	
265	2	221535	Klämma	Clamp	
271	1	808145	Reglagearm	Control Lever	
277	1	805018	Bricka	Washer	
305	1	805406	Skruv	Screw	
307	6	805025	Skruv	Screw	
351	2	805169	Skruv	Screw	
354	1	810078	Mutter	Nut	
358	1	807989	Packningssats	Gasket set	Märkta/marked S
387	1	491922	Fuel pump	Fuel pump	
445	1	394018	Air cleaner cartridge	Air cleaner cartridge	
467	1	491875	Lasratt	Knob	
527	1	223167	Clamp	Clamp	
535	1	272490	Förfilter	Pre cleaner filter	
537	1	805655	Packning	Gasket	
562	1	805381	Skruv	Screw	

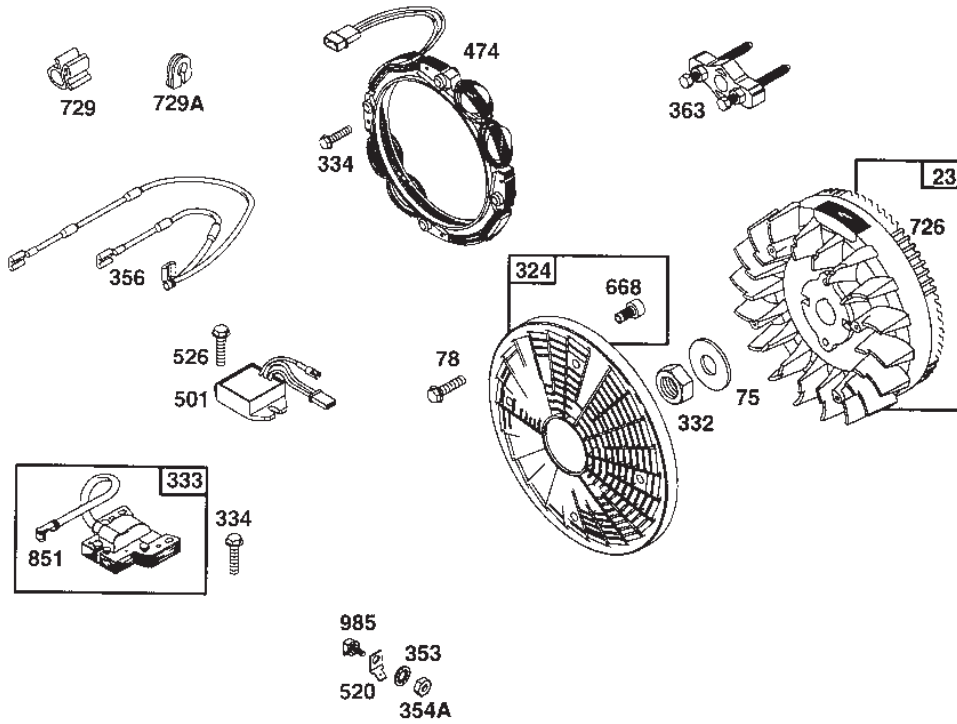
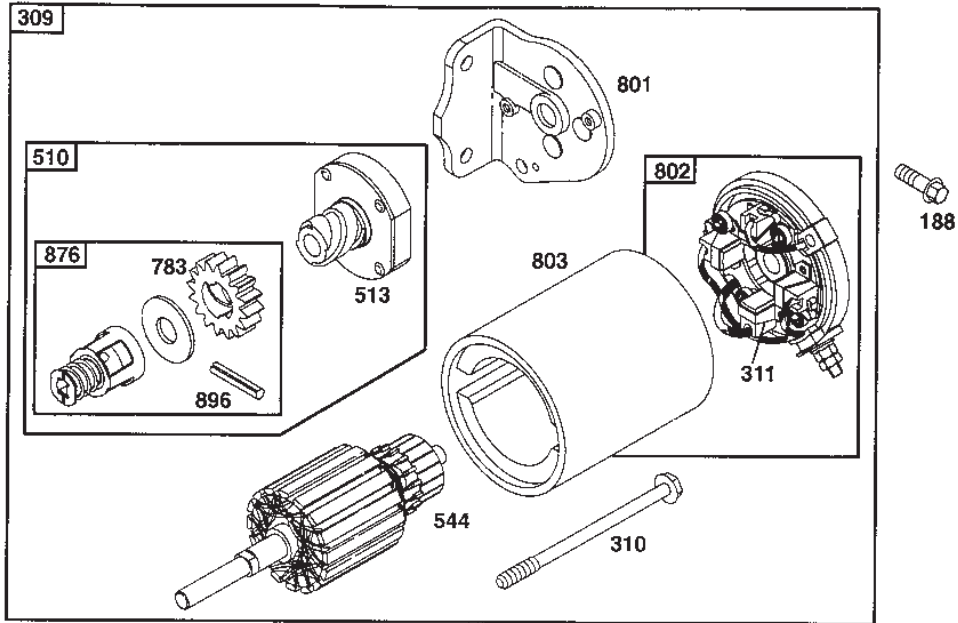


121 CARBURETOR KIT

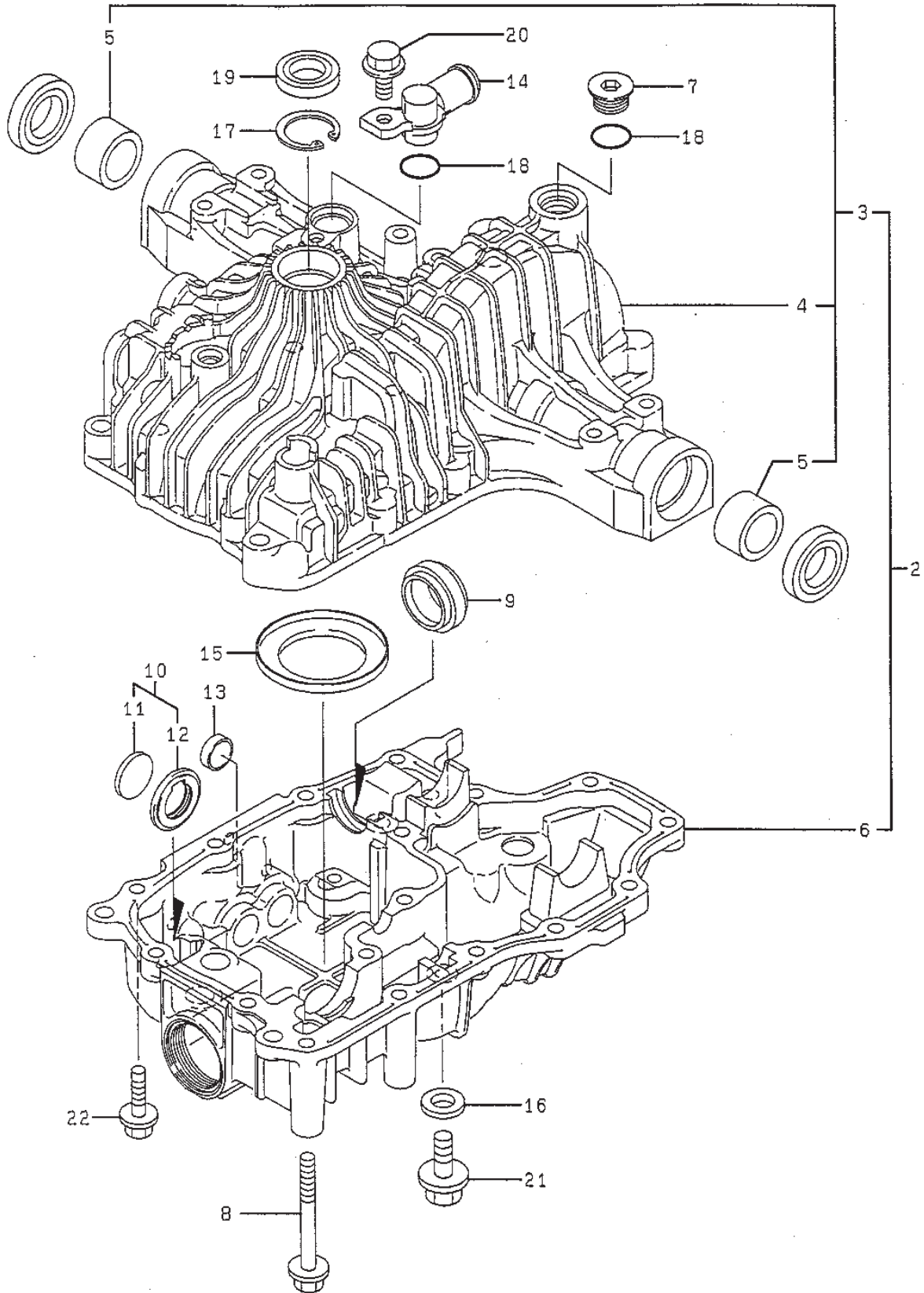


358 GASKET SET

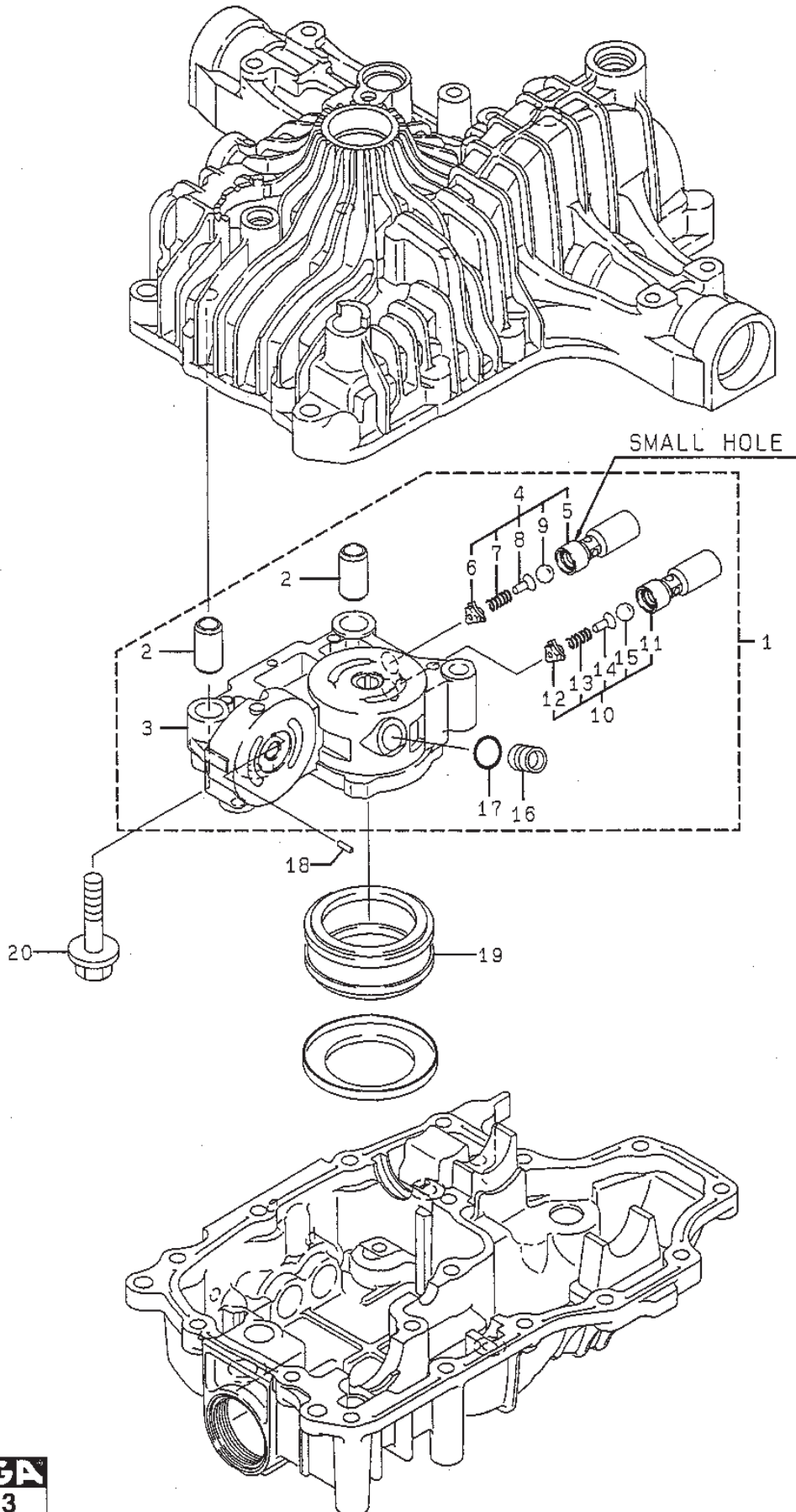
Utgåva Issue 48 - 2014		Förgasare Luftfilter		Carburettor Air Cleaner	
Pos. Fig.	Antal Quantity	Art nr Part No	Benämning	Description	Anmärkning Notes
592	1	805383	Mutter	Nut	
601	2	93053	Slangklämma	Hose clamp	
615	1	805577	Retainer	Retainer	
615	1	805578	Retainer	Retainer	
634	1	805576	Collar	Collar	
634	1	805574	Collar	Collar	
634	1	805580	Collar	Collar	
642	1	807862	Wheel axle bolt	Cover	
643	1	805631	Plate	Plate	
788	1	807685	Fäste	Bracket	
819	1	805057	Skruv	Screw	
823	2	805317	Skruv	Screw	
862	1	807859	Fäste	Bracket	
955	1	805592	Skruv	Screw	
955	1	807714	Plugg	Plug and seal	
975	1	807715	Cap	Bowl	
987	1	805575	Seal	Seal	
1004	1	805632	Air inlet tube	Air inlet tube	
1013	1	805581	Seal	Seal	
1014	1	807797	Deflektor	Deflector	
1037	1	807717	Kula	Ball	
1091	1	805858	Huv	Limiter cap	



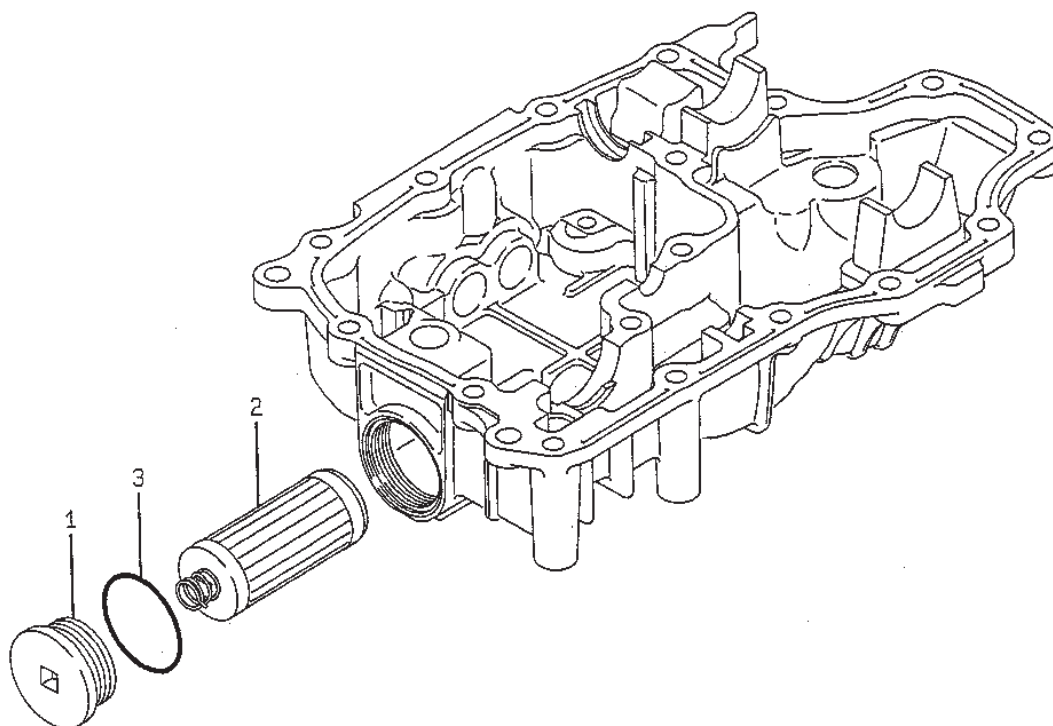
Utgåva Issue 48 - 2014		Elsystem Startmotor		Electric System Starter Motor	
Pos. Fig.	Antal Quantity	Art nr Part No	Benämning	Description	Anmärkning Notes
23	1	807531	Flywheel	Flywheel	
75	1	805007	Bricka	Washer	
78	3	805447	Skruv	Screw	
188	2	805247	Skruv	Screw	
309	1	494990	Starter motor	Starter motor	
310	2	94004	Bult	Bolt	
311	2	490311	Brush	Brush	
324	1	494439	Nät	Screen	
332	1	805021	Mutter	Nut	
333	1	492341	Armature magneto	Armature magneto	
334	6	805407	Skruv	Screw	
353	1	92791	Bricka	Washer	
354	1	90576	Mutter	Nut	
356	1	493792	Gasreglage	Throttle Cable	
363	1	19203	Avdragare	Puller	Tillbehör/Accessory
474	1	393295	Generator	Alternator	
501	1	394890	Regulator	Regulator	
510	1	495878	Drev kpl	Drive assy	
513	1	398003	Koppling kpl	Clutch Ass.Y	
520	1	93722	Anslutningsbleck	Terminal	
526	2	805448	Skruv	Screw	
544	1	490309	Armature	Armature	
668	1	805402	Distans	Spacer	
726	1	807805	Breather body	Gear	
729	1	280470	Wire clip	Wire clip	
729	1	805641	Hylsa	Grommet	
783	1	280104	Drev	Gear	
801	1	394856	Lock	Drive end cap	
802	1	494988	Bottenkapa	Commutator end cap	
803	1	494205	Hus	Housing	
851	1	493880	Terminal	Terminal	
876	1	495877	Retainer kit	Retainer kit	
896	1	94288	Stift	Roll pin	
985	1	398525	Isolator	Insulator	



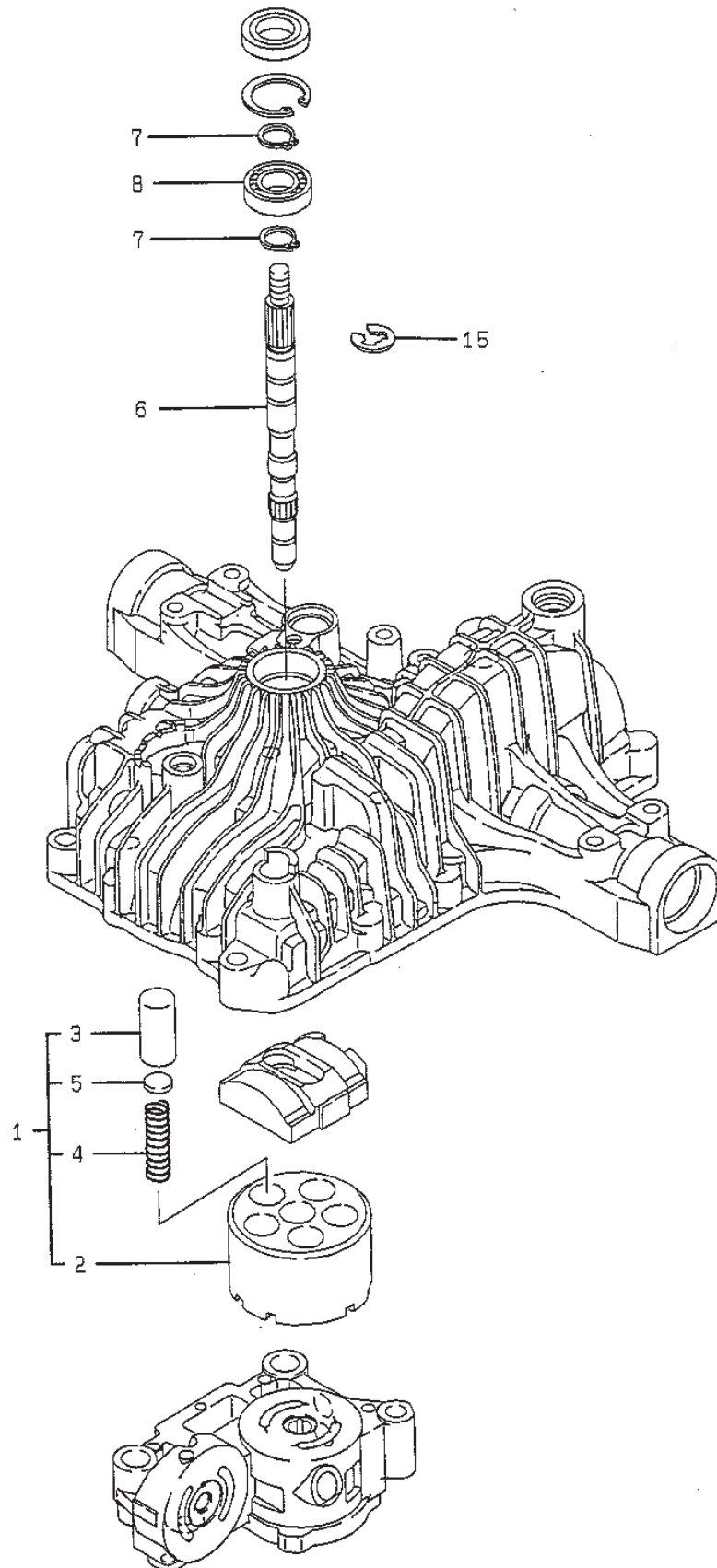
Utgåva Issue 48 - 2014		Transmission			
Pos. Fig.	Antal Quantity	Art nr Part No	Benämning	Description	Anmärkning Notes
2	1	1139-1211-01	Transmissionshus Kpl	Transaxle Case Set	Inkl. pos 3 - 6/K62E
3	1	1139-1169-01	Övre Hus Kpl	Upper Case Cmp	Inkl. pos 4 - 5/K62E
6	1	1139-1212-01	Nedre Hus	Lower Housing	/K62E
7	1	1139-1171-01	OljePlugg	Oil Cap	/K62E
8	5	1139-1006-01	Bult	Bolt	/K62E
9	1	1139-1172-01	Filter	Filter	/K62E
10	1	1139-1057-01	Magnet Kpl	Magnet Assy	Inkl. pos 11 - 12/K62E
13	2	1139-1229-01	Plugg	Bore Plug	/K62E
14	1	1139-1179-01	Nippel	Fitting	/K62E
15	1	1139-1180-01	Distans	Spacer	/K62E
16	2	1139-1277-01	Bricka	Washer	/K62E
17	1	1139-1104-01	Lasring	Snap Ring	/K62E
18	2	1139-1116-01	O-Ring	O-Ring	/K62E
19	1	1139-1119-01	Tätning	Seal 15*35*7	/K62E
20	1	1139-1124-01	Bult	Bolt	/K62E
21	2	1139-1292-01	Bult	Bolt	/K62E
22	12	1139-0244-01	Skruv	Screw	/K62E



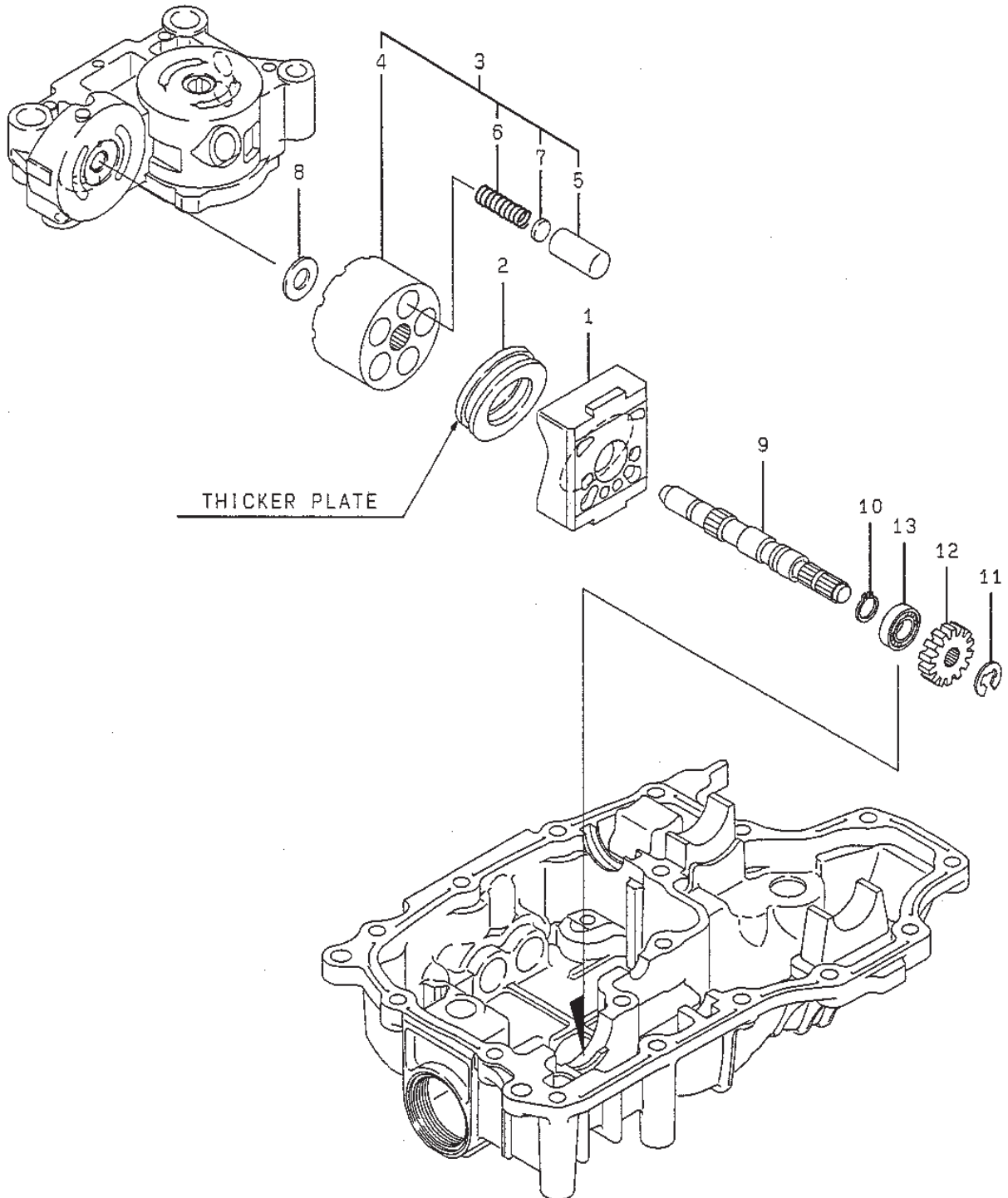
Utgåva Issue 48 - 2014		Transmission			
Pos. Fig.	Antal Quantity	Art nr Part No	Benämning	Description	Anmärkning Notes
1	1	1139-1173-01	Centrumhus Kpl	Center Case Cmp	Inkl. pos 2 - 17/K62E
2	2	1139-1231-01	Stift	Knock Pin	/K62E
4	1	1139-1174-01	Ventil Kpl	Valve Set	Inkl. pos 5 - 9/K62E
10	1	1139-1175-01	Ventil Kpl	Valve Set	Inkl. pos 11 - 15/K62E
16	1	1139-1177-01	Plugg	Plug	/K62E
17	1	1139-1117-01	O-Ring	O-Ring	/K62E
18	1	1139-1158-01	Stift	Pin	/K62E
19	1	1139-1147-01	Filter	Filter	/K62E
20	3	1139-1293-01	Bult	Bolt	/K62E



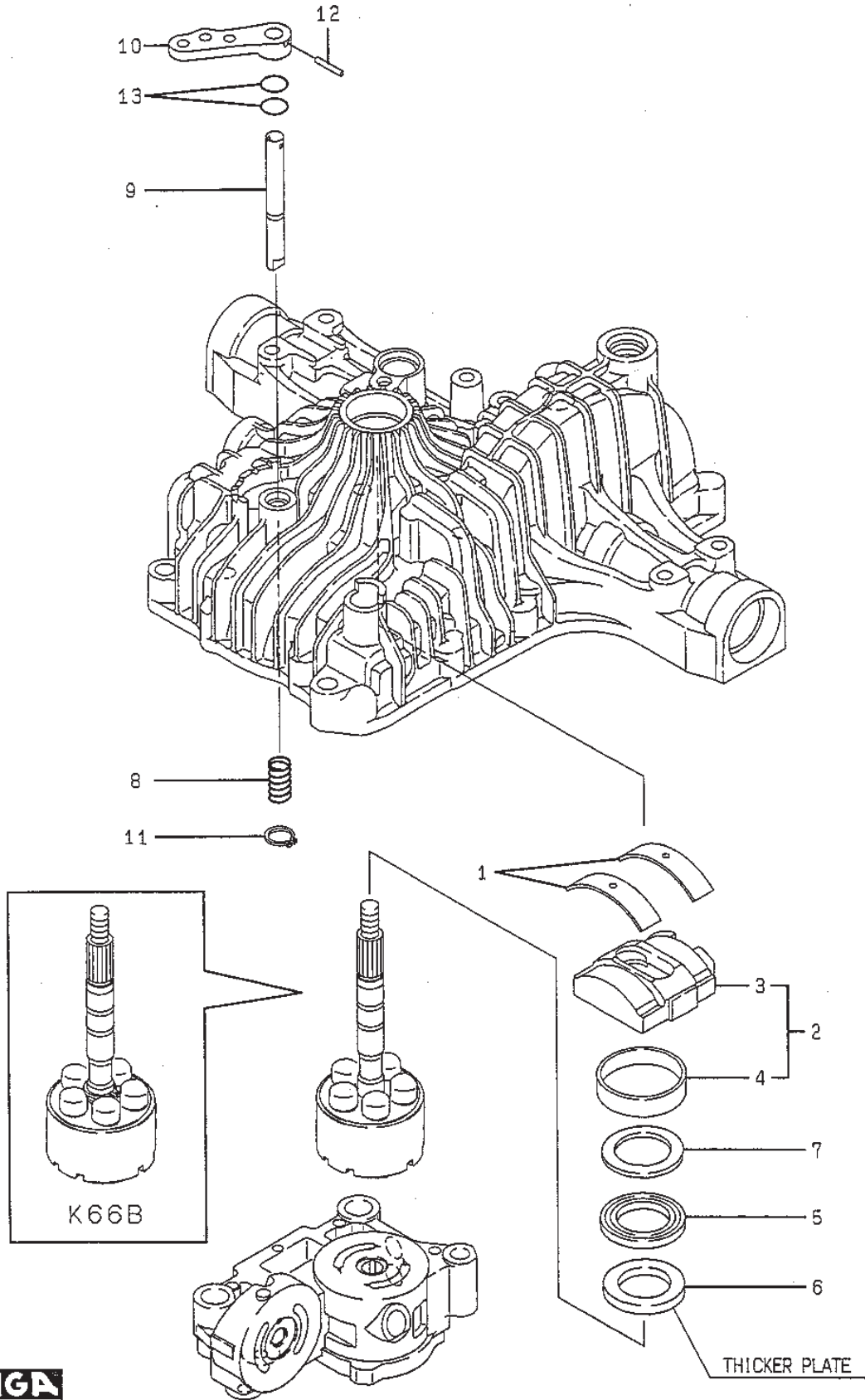
Utgåva Issue 48 - 2014		Transmission			
Pos. Fig.	Antal Quantity	Art nr Part No	Benämning	Description	Anmärkning Notes
1	1	1139-1230-01	Lock	Cap	/K62E/K66B/
2	1	1139-1186-01	Filter	Filter	K66B
3	1	1139-1290-01	Packning	Packing	/K62E/K66B/



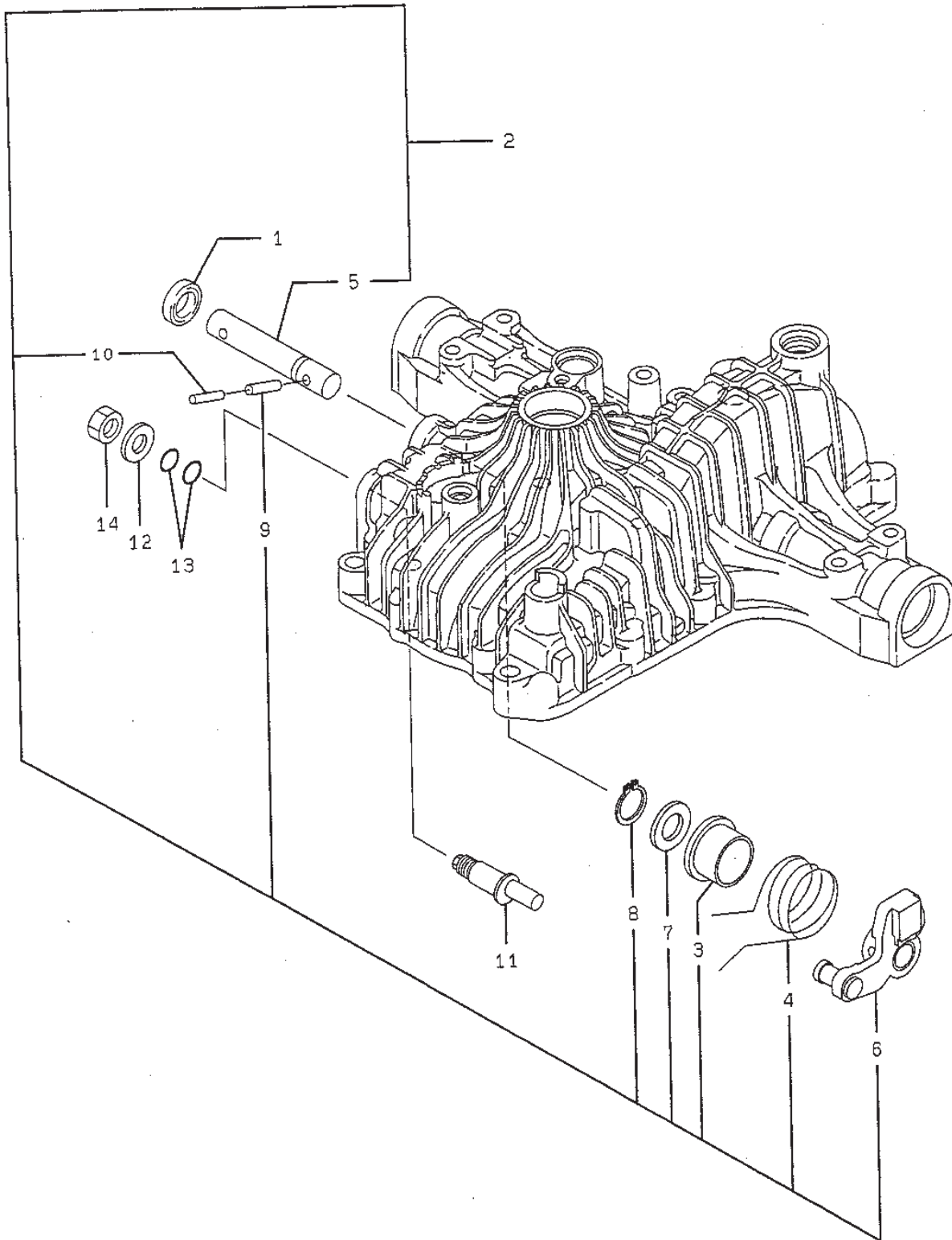
Utgåva Issue 48 - 2014		Transmission			
Pos. Fig.	Antal Quantity	Art nr Part No	Benämning	Description	Anmärkning Notes
1	1	1139-1139-01	Cylinderblock Kpl	Cylinder Block Assy	Inkl. pos 2 - 5/K62E
6	1	1139-1181-01	Pumpaxel	Pump Shaft	/K62E
7	2	1139-1021-01	Lasring	Snap Ring	/K62E
8	1	1139-1110-01	Kullager	Ball Bearing	/K62E
15	1	1139-1146-01	Lasring	Ring	/K62E



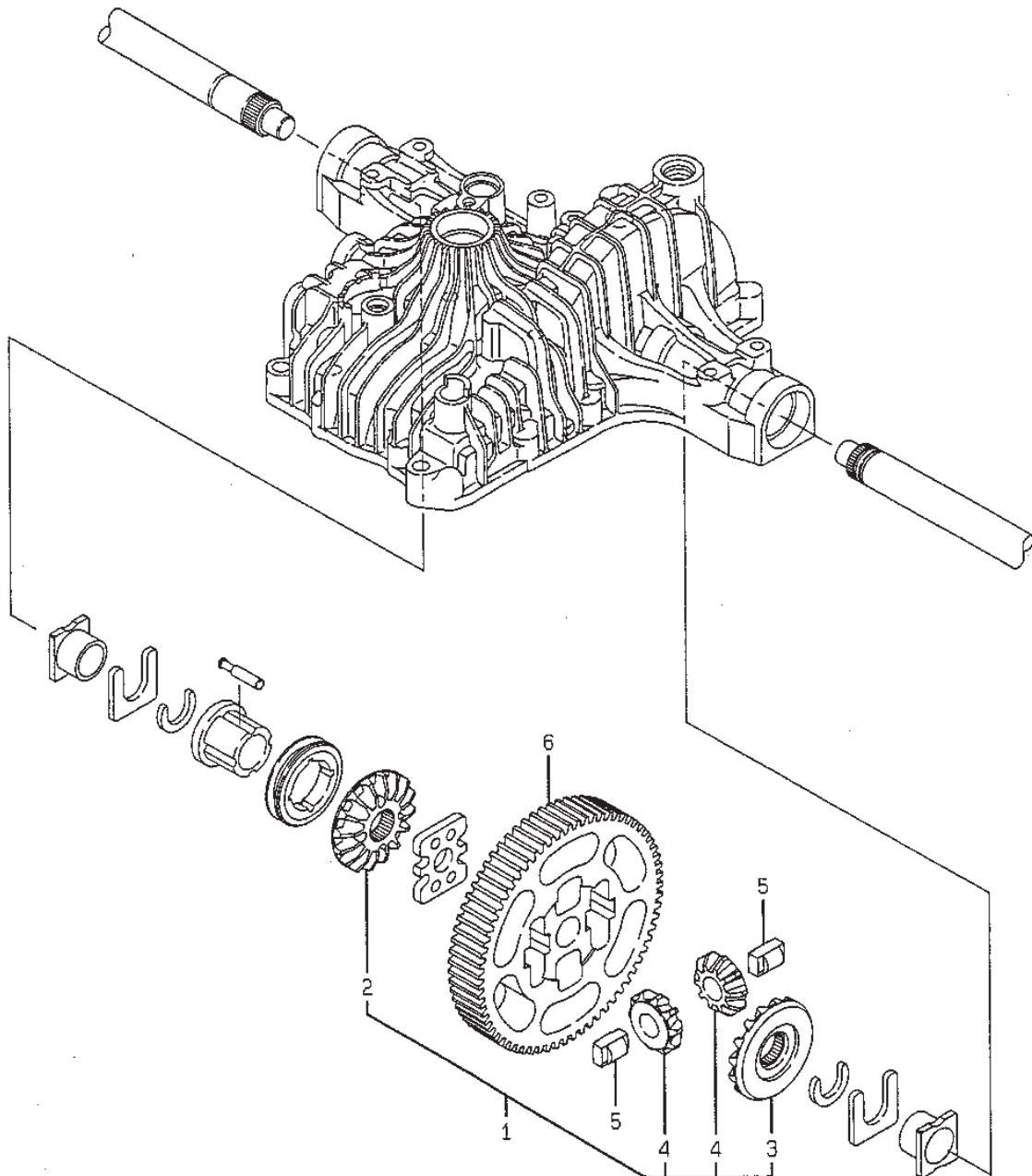
Utgåva Issue 48 - 2014		Transmission			
Pos. Fig.	Antal Quantity	Art nr Part No	Benämning	Description	Anmärkning Notes
1	1	1139-1170-01	Hus	Housing	/K62E/K66B/
2	1	1139-1005-01	Axiallager	Thrust Bearing	/K62E/K66B/
3	1	1139-1139-01	Cylinderblock Kpl	Cylinder Block Assy	Inkl. pos 4 - 7/K62E/ K66B/
8	1	1139-1160-01	Bricka	Washer	/K62E/K66B/
9	1	1139-1182-01	Motoraxel	Motor Shaft	/K62E/K66B/
10	1	1139-1021-01	Lasring	Snap Ring	/K62E/K66B/
11	1	1139-1183-01	Lasring	E-Ring	/K62E/K66B/
12	1	1139-1215-01	Motordrev	Motor Gear	K66B
12	1	1139-1216-01	Motordrev	Motor Gear	K62E
13	1	1139-1287-01	Kullager	Ball Bearing	/K62E/K66B/



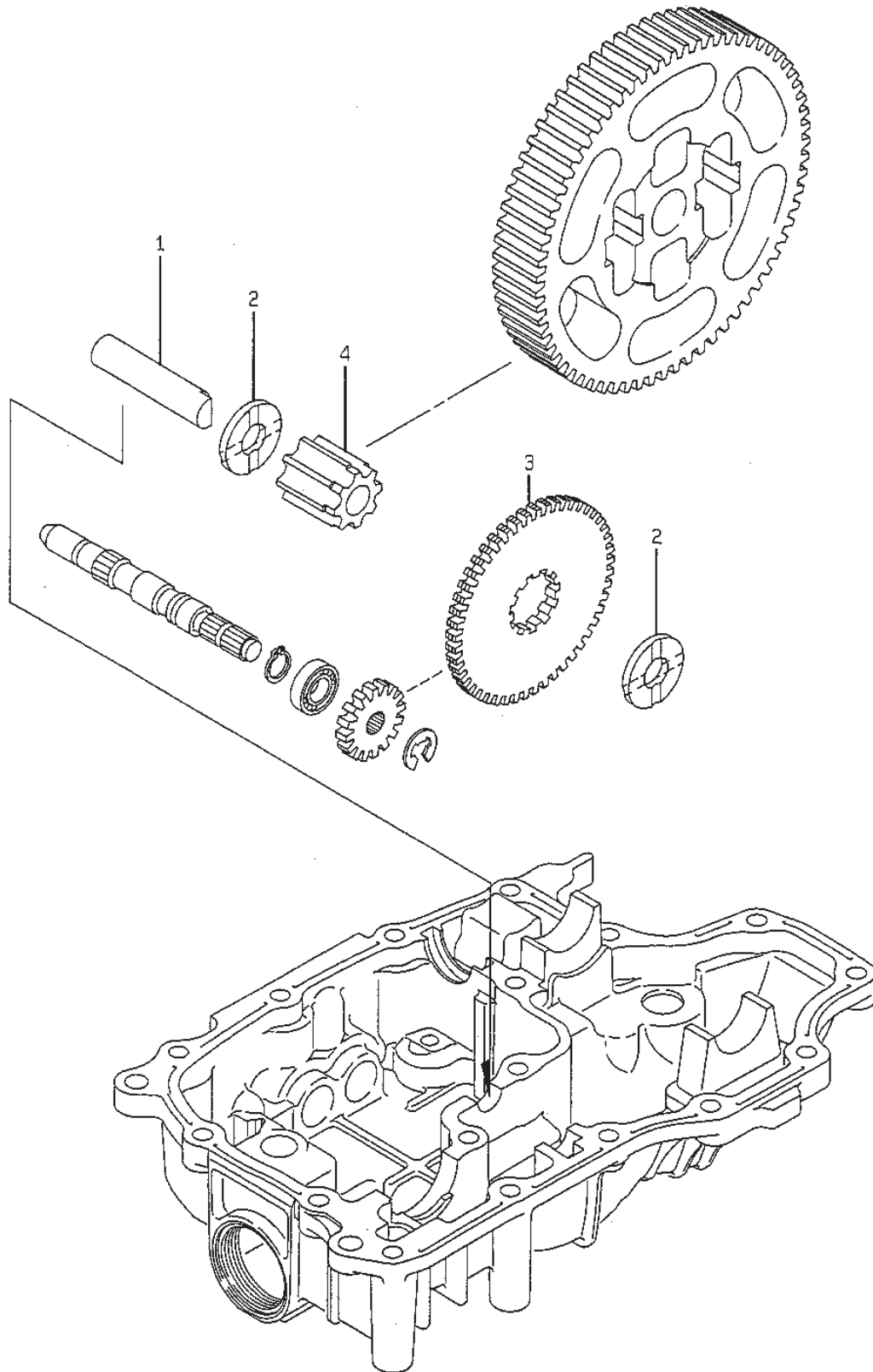
Utgåva Issue 48 - 2014		Transmission			
Pos. Fig.	Antal Quantity	Art nr Part No	Benämning	Description	Anmärkning Notes
1	2	1139-1022-01	Tryckplatta	Metal Thrust	
2	1	1139-1187-01	Stänkplatta	Swash Plate Cmp	Inkl. pos 3 - 4/K62E/ K66B/
5	1	1139-1024-01	Lager	Bearing	/K62E/K66B/
6	1	1139-1145-01	Tryckbricka	Thrust Plate	/K62E/K66B/
7	1	1139-1026-01	Tryckplatta	Thrust Plate	/K62E/K66B/
8	1	1139-1028-01	Fjäder	Spring	/K62E/K66B/
9	1	1139-1188-01	By-Passaxel	By-Pass Shaft	/K62E/K66B/
10	1	1139-1189-01	Arm	By-Pass Lever	/K62E/K66B/
11	1	1139-1161-01	Lasring	Ring	/K62E/K66B/
12	1	1139-1280-01	Stift	Pin	/K62E/K66B/
13	2	1139-1117-01	O-Ring	O-Ring	



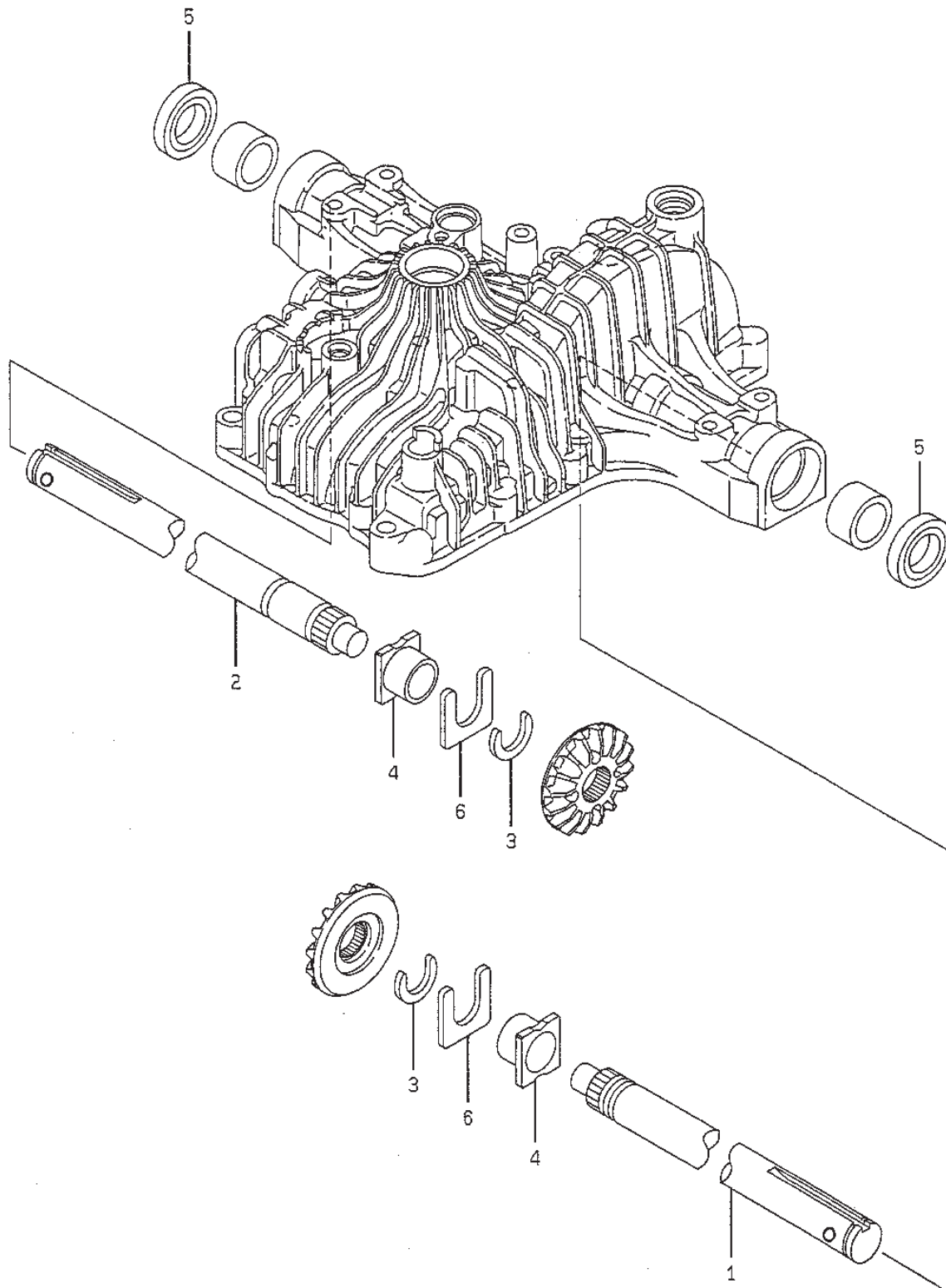
Utgåva Issue 48 - 2014		Transmission			
Pos. Fig.	Antal Quantity	Art nr Part No	Benämning	Description	Anmärkning Notes
1	1	1139-1165-01	Tätningring	Seal Ring	/K62E/K66B/
2	1	1139-1191-01	Regleraxel Kpl	Control Shaft Cmp	Inkl. pos 3 - 10/K62E/ K66B/
8	1	1139-1278-01	Lasring	Ring	/K62E/K66B/
11	1	1139-1190-01	Vridcentrum	Fulcrum (Eccentricity)	/K62E/K66B/
12	1	1139-1102-01	Bricka	Washer	/K62E/K66B/
13	2	1139-1115-01	O-Ring	O-Ring	
14	1	1139-1127-01	Mutter	Nut	/K62E/K66B/



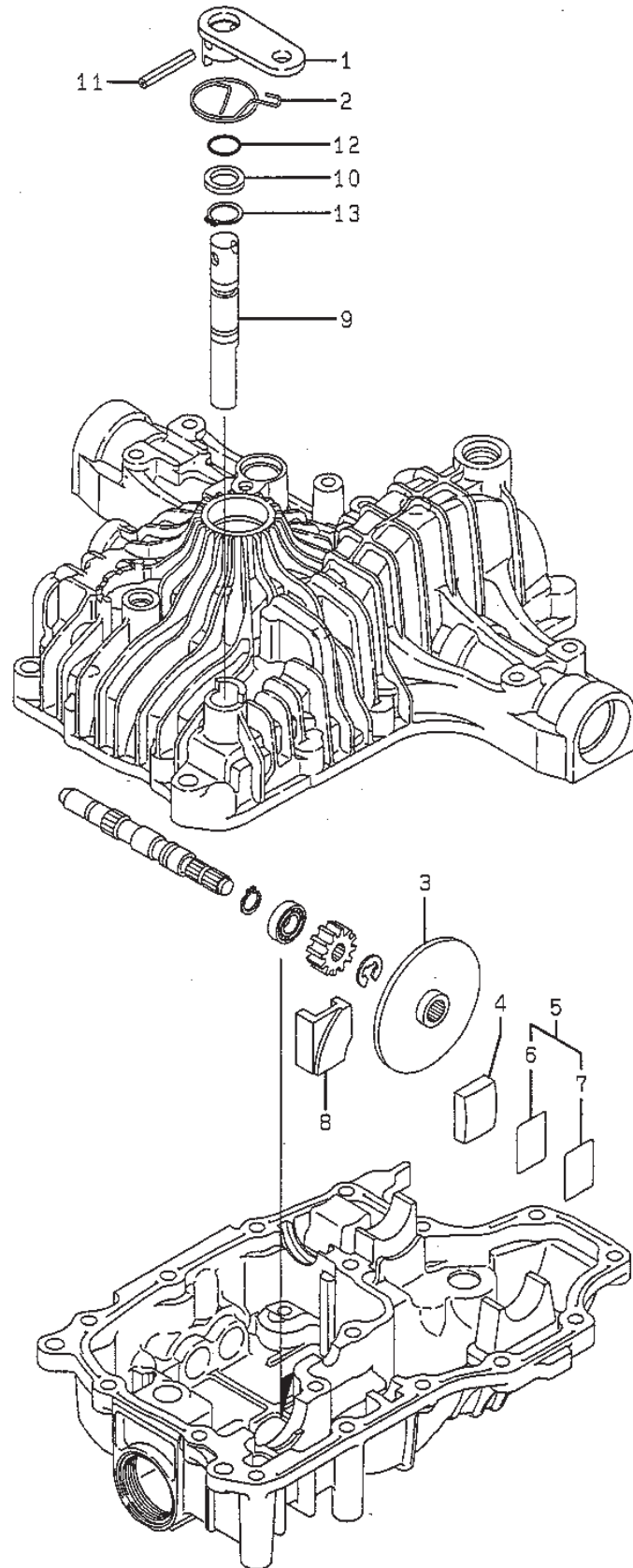
Utgåva Issue 48 - 2014		Transmission			
Pos. Fig.	Antal Quantity	Art nr Part No	Benämning	Description	Anmärkning Notes
1	1	1139-1201-01	Differentialdrevsats	Diff.Gear Kit	Inkl. pos 2 - 4/K62E/ K66B/
4	2	1139-1202-01	Drev	Diff.Pinion	
5	2	1139-1203-01	Stift	Pin	
6	1	1139-1208-01	Slutdrev	Final Gear	/K62E/K66B/



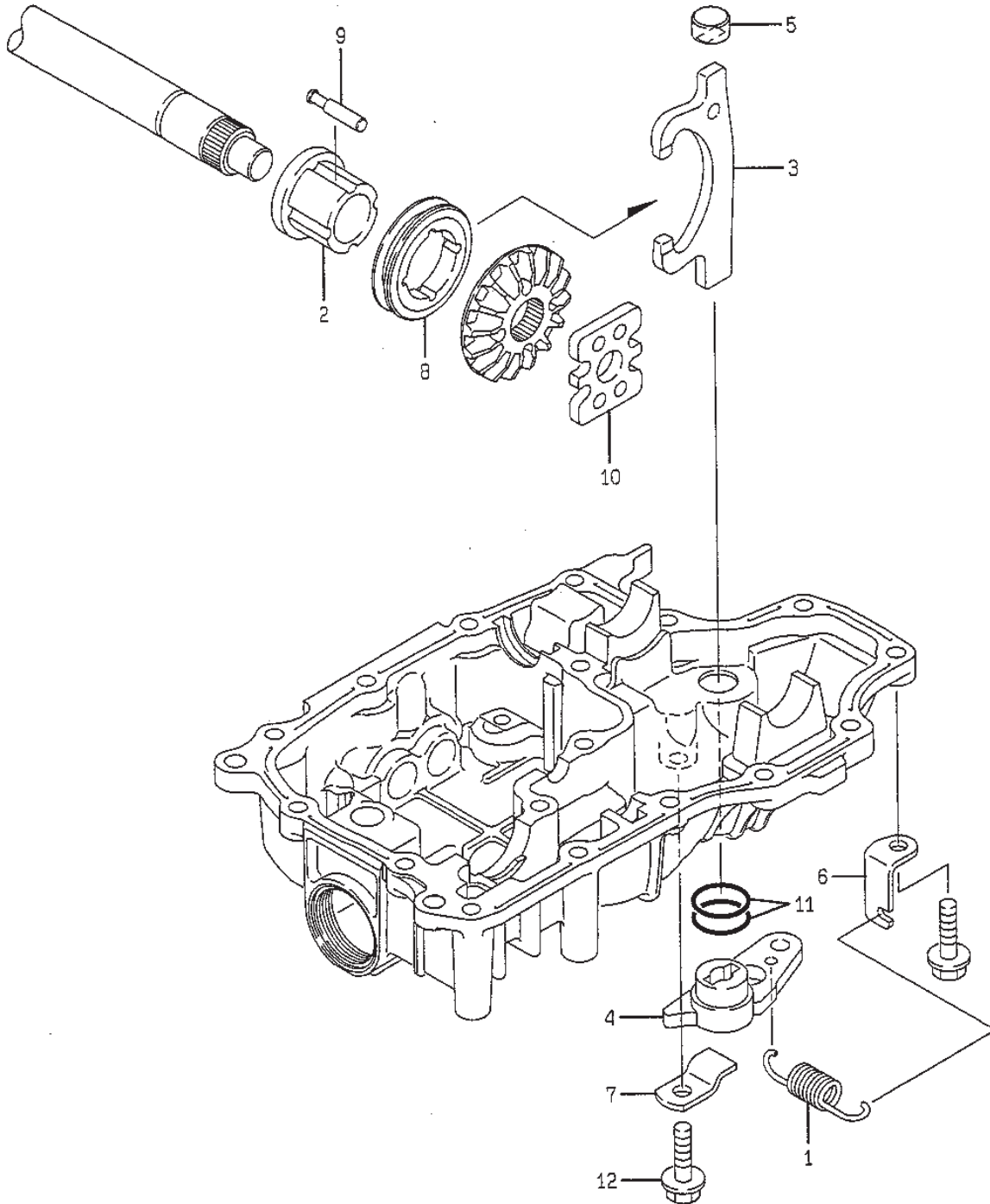
Utgåva Issue 48 - 2014		Transmission			
Pos. Fig.	Antal Quantity	Art nr Part No	Benämning	Description	Anmärkning Notes
1	1	1139-1192-01	Axel	Shaft (Final P)	/K62E
2	2	1139-1193-01	Bricka	Washer	/K62E
3	1	1139-1207-01	Reduktionsdrev	Reduction Gear	/K62E
4	1	1139-1210-01	Drev	Final Pinion	/K62E



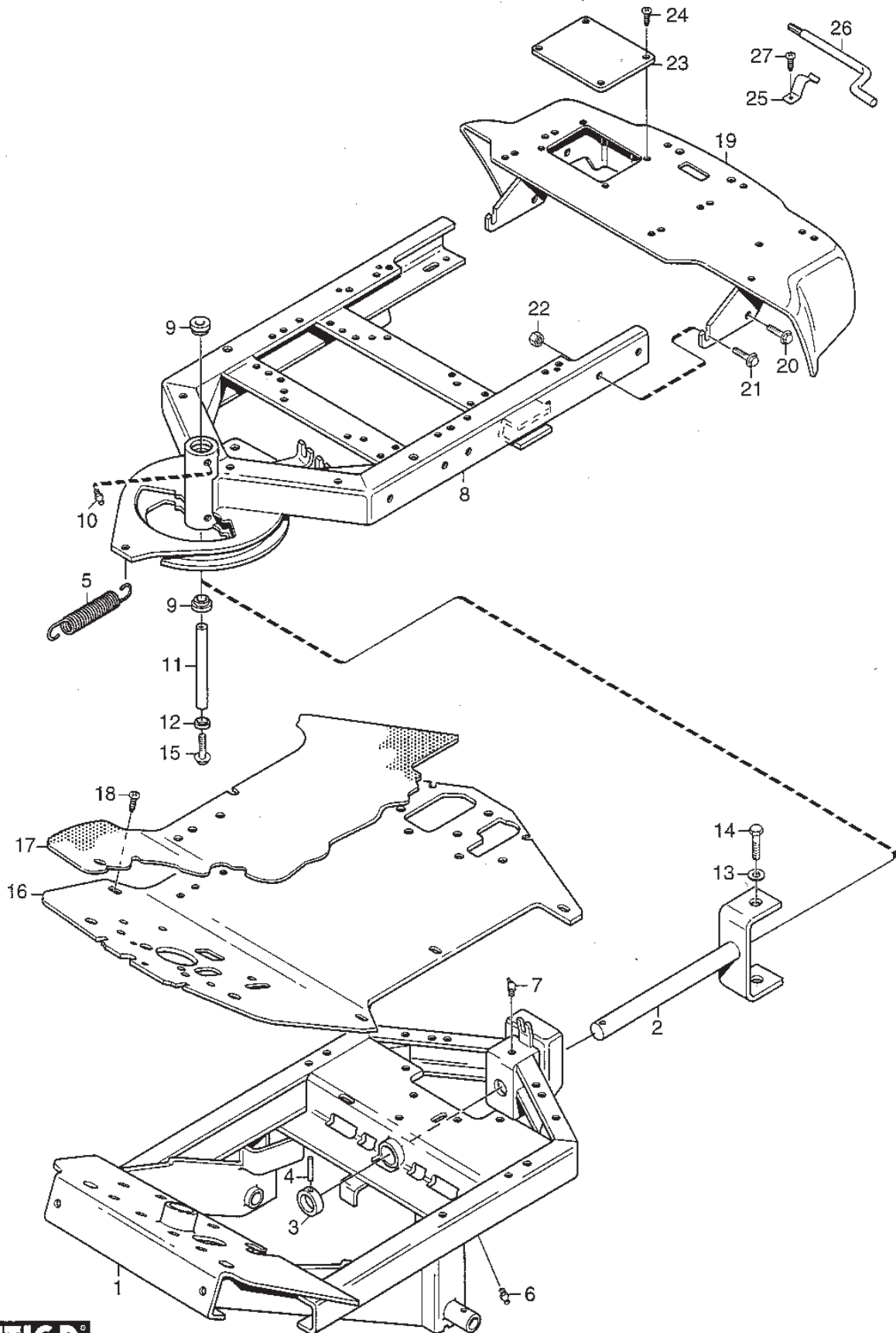
Utgåva Issue 48 - 2014		Transmission			
Pos. Fig.	Antal Quantity	Art nr Part No	Benämning	Description	Anmärkning Notes
1	1	1139-1225-01	Hjulaxel Vä	Axle Shaft Left	/K62E/K66B/
2	1	1139-1226-01	Hjulaxel Hö	Axle Shaft Right	/K62E/K66B/
3	2	1139-1155-01	Lasring	Ring	
4	2	1139-1156-01	Bussning	Bushing	
5	2	1139-1044-01	Tätning	Seal 25.4*42*8	
6	2	1139-1194-01	Bricka	Thrust Washer	



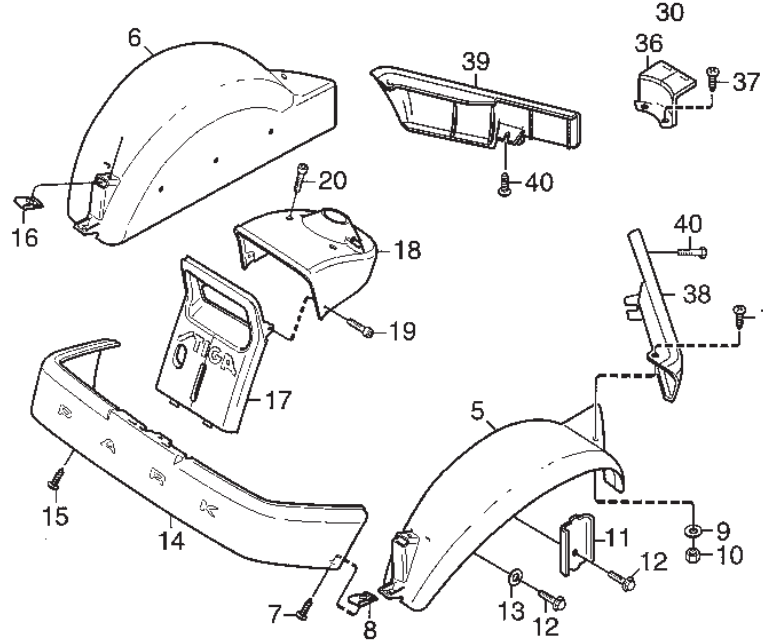
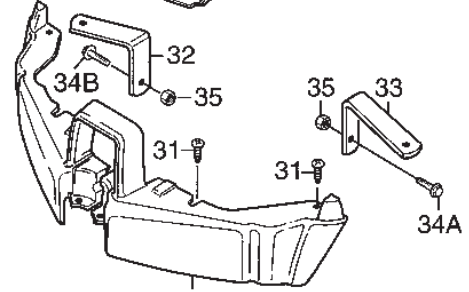
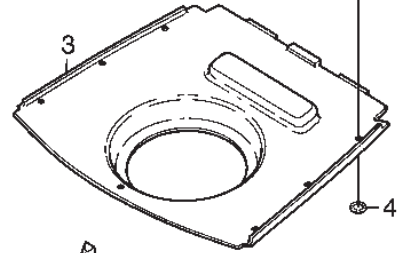
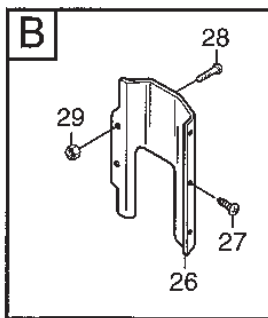
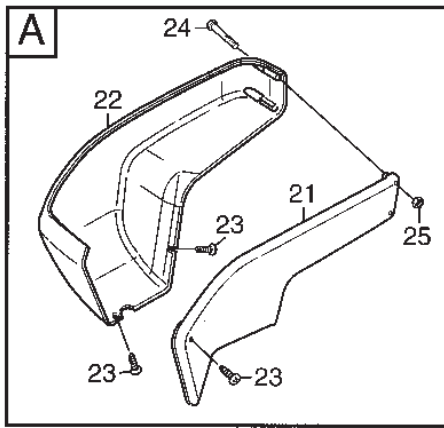
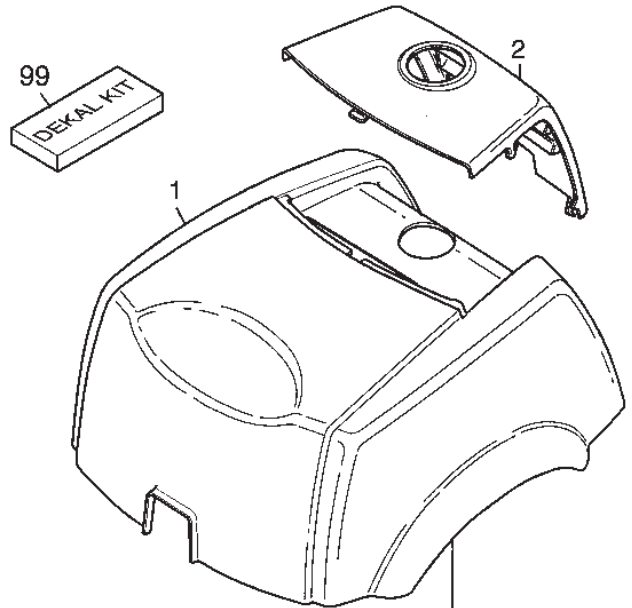
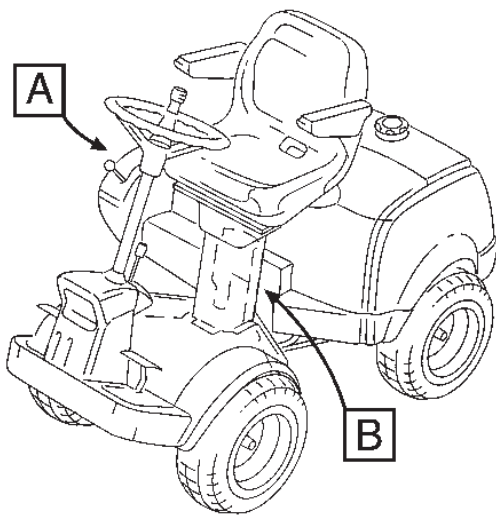
Utgåva Issue 48 - 2014		Transmission			
Pos. Fig.	Antal Quantity	Art nr Part No	Benämning	Description	Anmärkning Notes
1	1	1139-1227-01	Bromsarm	Brake Arm	/K62E/K66B/
2	1	1139-1228-01	Returfjäder	Return Spring	/K62E/K66B/
3	1	1139-1195-01	Bromsskiva	Brake Disc	/K62E/K66B/
4	1	1139-1196-01	Bromssko	Brake Shoe	/K62E/K66B/
5	1	1139-1198-01	Shimssats	Shim Set	Inkl. pos 6 - 7/K62E/ K66B/
8	1	1139-1200-01	Tryckplatta	Brake Actuator	/K62E/K66B/
9	1	1139-1197-01	Bromsaxel	Brake Shaft	/K62E/K66B/
10	1	1139-1199-01	Bricka	Washer	/K62E/K66B/
11	1	1139-1285-01	Stift	Pin	/K62E/K66B/
12	1	1139-1114-01	O-Ring	O-Ring	/K62E/K66B/
13	1	1139-1278-01	Lasring	Ring	/K62E/K66B/



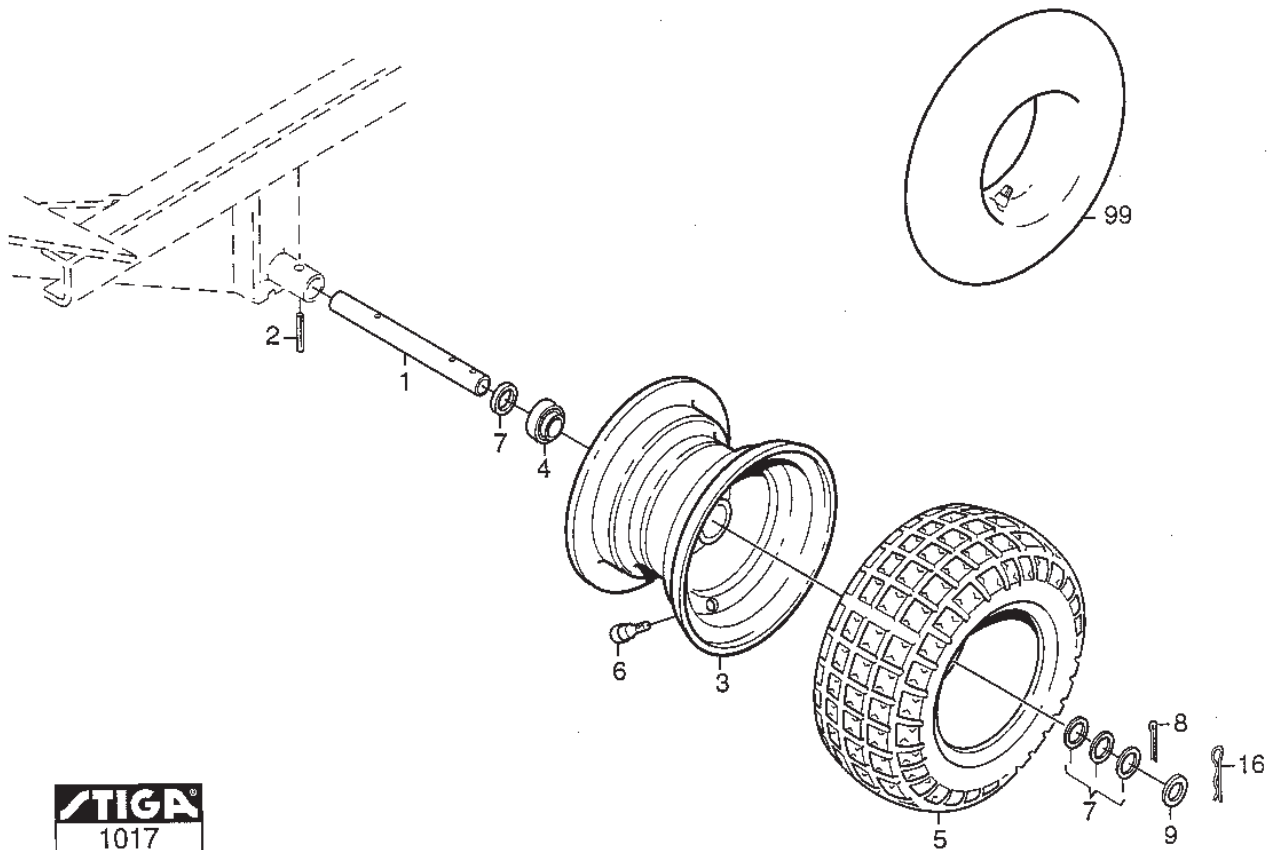
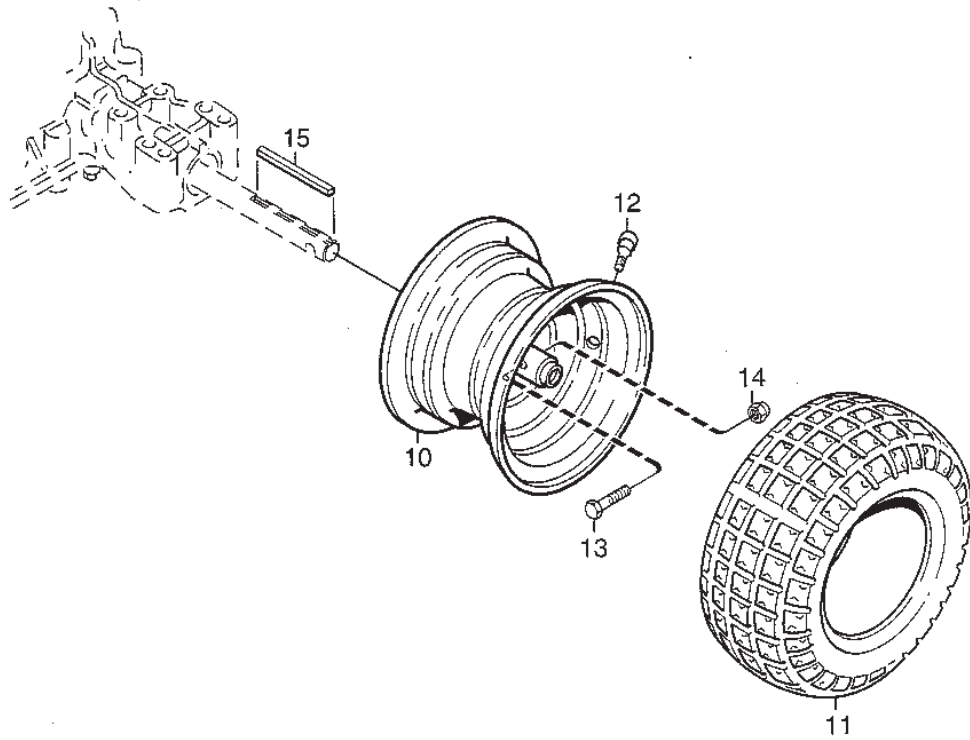
Utgåva Issue 48 - 2014		Transmission			
Pos. Fig.	Antal Quantity	Art nr Part No	Benämning	Description	Anmärkning Notes
1	1	1139-1144-01	Returfjäder	Return Spring	/K62E/K66B/
2	1	1139-1213-01	Hylsa	Collar	/K62E/K66B/
3	1	1139-1217-01	Diffspärrsgaffel	Diff.Lock Fork	/K62E/K66B/
4	1	1139-1218-01	Diffspärrsarm	Diff.Lock Arm	/K62E/K66B/
5	1	1139-1219-01	Pivothylsa	Diff.Lock Pivot	/K62E/K66B/
6	1	1139-1220-01	Fjäderkrok	Spring Hook	/K62E/K66B/
7	1	1139-1221-01	Fästplatta	Arm Hold Plate	/K62E/K66B/
8	1	1139-1222-01	Glidhylsa	Diff.Lock Slider	/K62E/K66B/
9	4	1139-1223-01	Stift	Diff.Lock Pin	
10	1	1139-1224-01	Diffspärrsplatta	Diff.Lock Plate	/K62E/K66B/
11	2	1139-1289-01	Packning	Packing	
12	1	1139-0244-01	Skruv	Screw	/K62E/K66B/



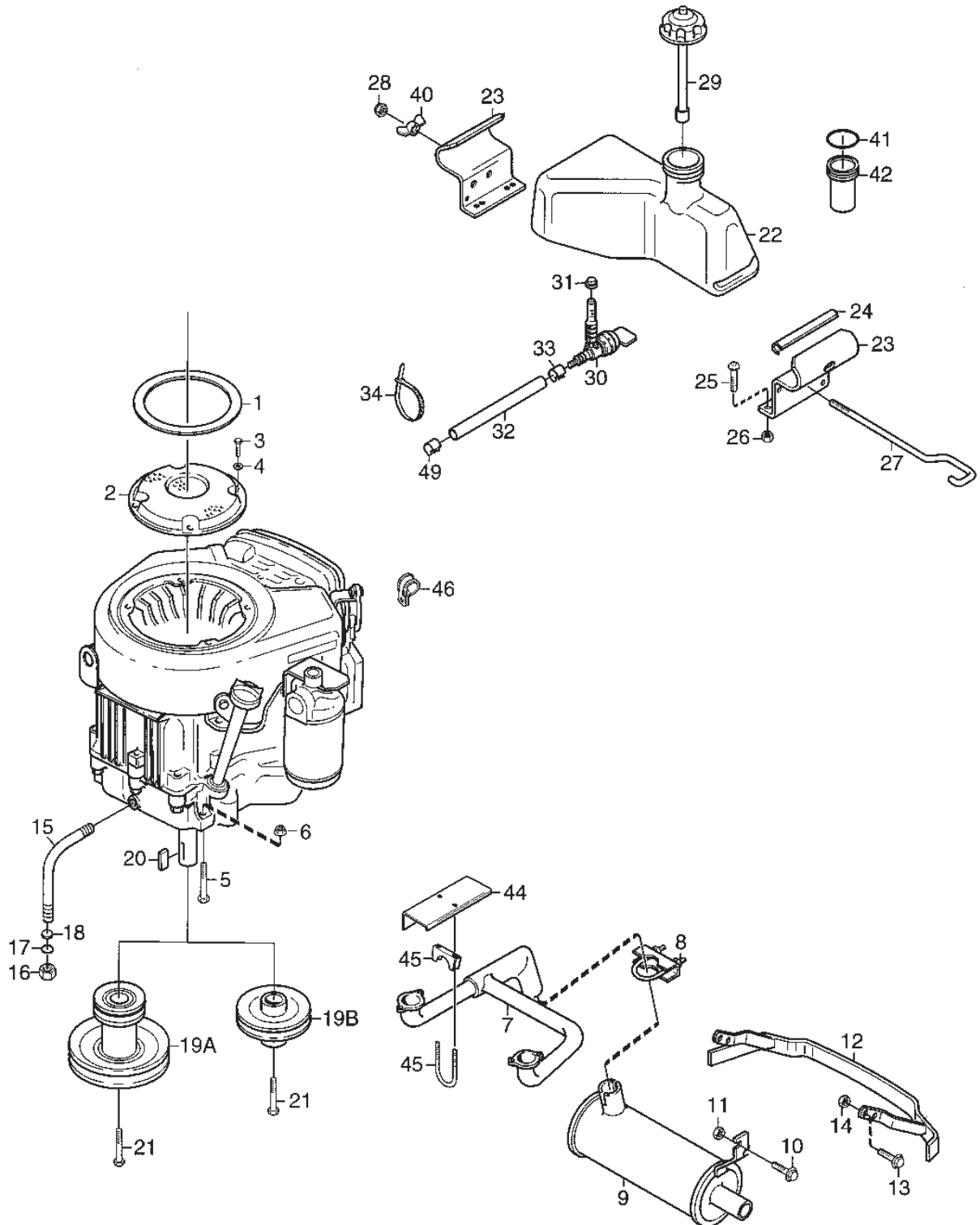
Utgåva Issue 48 - 2014					
Pos. Fig.	Antal Quantity	Art nr Part No	Benämning	Description	Anmärkning Notes
1	1	1134-3919-01	Ram-främre	Frame-front	
2	1	1134-3963-02	Midjegaffel Service 5-01 H10	Fork	
3	1	1134-0031-00	Ledaxelstopp Ledaxelstopp	Pivot Shaft Stop	
4	1	9595-0262-00	Spännstift	Locating Pin Elastic Pin	
5	1	1134-2171-01	Fjäder	Spring	
6	1	9501-0500-00	Smörjkopp Kort Rak	Grease Dispenser	
7	1	9501-0502-00	Smörjnippel	Grease Joint	
8	1	1134-3966-01	Ram Bakre 01	Frame-Rear	
9	2	9547-0001-00	Ledlager Ge17Es	Bearing	
10	2	9501-0500-00	Smörjkopp Kort Rak	Grease Dispenser	
11	1	1134-3968-01	Centrumaxel	Centre Shaft	
12	1	1134-0052-00	Distans	Spacer	
13	1	9699-0035-02	Bricka	Washer	
14	1	9959-1020-16	Skruv	Screw	
15	1	9959-1025-16	Skruv	Screw	
16	1	1134-3965-01	Durk	Floor Plate	
17	1	1134-4061-01	Durkmatta Hst	Floor Mat	
18	2	9893-0616-16	Skruv Relä	Screw Relay	
19	1	1134-4060-01	Stötfangare, Grå	Bumper, Grey	
19	1	1134-4060-01	Stötfangare, Grå	Bumper, Grey	
20	2	9945-0816-16	Skruv	Screw	
21	2	9959-0820-16	Skruv	Screw	
22	2	9739-0831-22	Mutter	Nut	
23	1	1134-4167-01	Lucka	Cover	
24	4	9840-8009-16	Skruv	Screw	



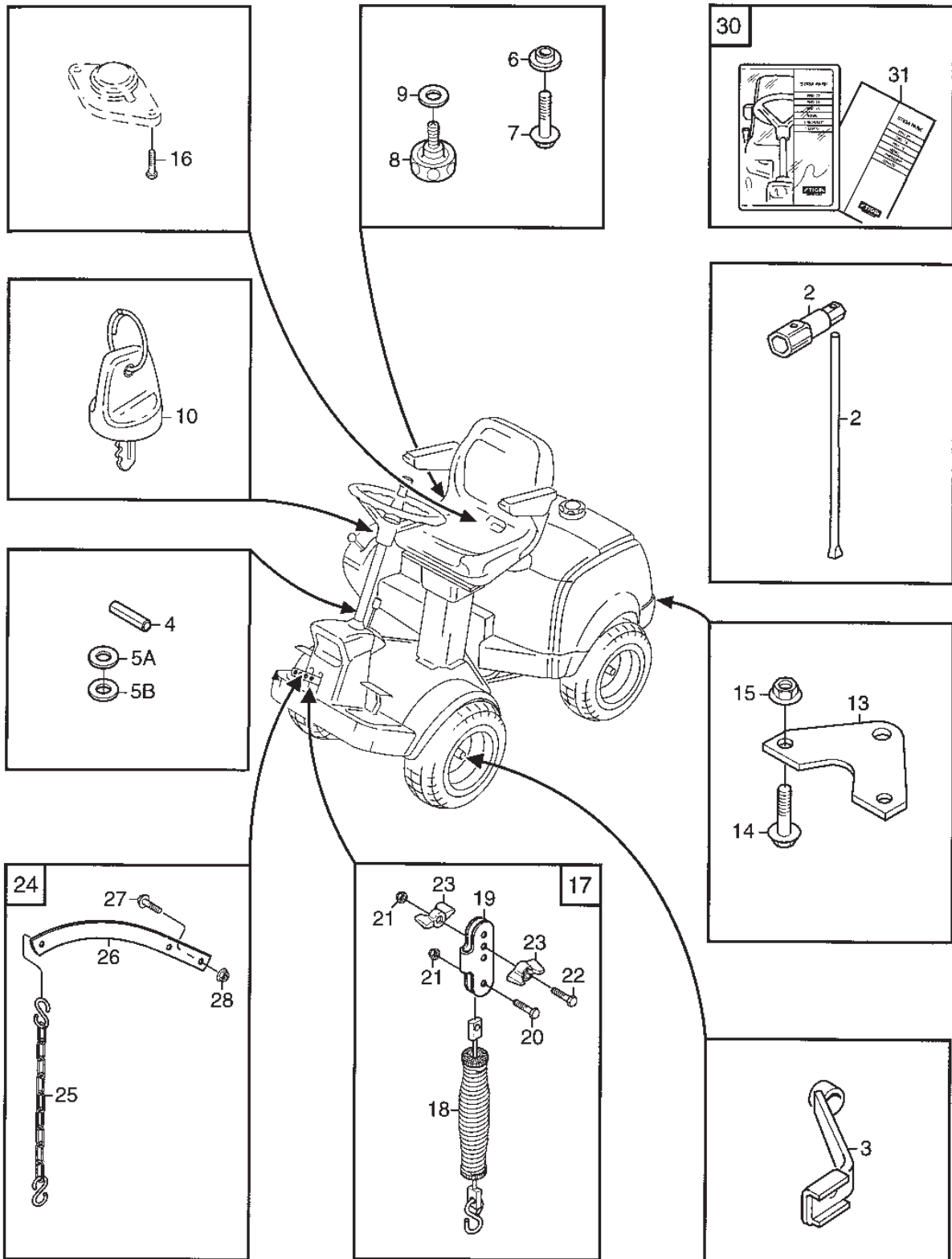
Utgåva Issue 48 - 2014		Chassi	Chassis		
Pos. Fig.	Antal Quantity	Art nr Part No	Benämning	Description	Anmärkning Notes
1	1	1134-3942-01	Huv	Engine Hood	
2	1	1134-3971-01	Motorlucka-Gra Stiga	Engine Cover-Grey	
3	1	1134-3978-01	Luftkanalplatta	Air Duct Plate	
4	7	9675-0008-02	Starlockbricka	Starlock	
5	1	1134-3943-01	Skärm Vänster	Mud Guard-Left	
6	1	1134-3943-02	Skärm Höger	Mud Guard-Right	
7	4	9893-0616-16	Skruv Relä	Screw Relay	
8	2	1134-4176-01	Clips	Clips	
9	2	9699-0025-02	Bricka	Washer	
10	2	9747-0631-02	Mutter Lasmutter	Nut	
11	2	1134-0225-00	Stödplat	Support Plate	
12	6	9945-0816-16	Skruv	Screw	
13	4	9699-0056-02	Bricka	Washer	
14	1	1134-4220-02	Stötfangare-Fram	Front Bumper	
15	6	9893-0616-16	Skruv Relä	Screw Relay	
16	2	1134-4176-01	Clips	Clips	
17	1	1134-4216-01	Frontkonsol Med Tryck	Frontplate-Grey (W/O Hole)	
18	1	1134-3984-01	Frontdekor Överdel Gra	Upper Front Plate-Grey	
19	2	9840-8009-16	Skruv	Screw	
20	2	9946-0525-16	Skruv	Screw	
21	1	1134-4360-01	Kapa-Inre (1-00)	Cover-Inner	
22	1	1134-3979-01	Kapa Yttre1-00	Cover-Outer	
23	5	9946-0525-16	Skruv	Screw	
24	2	9950-0570-12	Skruv	Screw	
25	2	9747-0531-02	Mutter	Nut	
26	1	1134-4152-01	Skyddskapa 1-00 F12	Cover	
27	3	9893-0616-16	Skruv Relä	Screw Relay	
28	2	9893-0616-16	Skruv Relä	Screw Relay	
29	2	9739-0631-22	Mutter	Nut	
30	1	1134-3969-01	Spoiler Gra	Spoiler-Grey	
31	4	9893-0616-16	Skruv Relä	Screw Relay	
32	1	1134-4012-01	Stöd-Hö	Support, Right	
33	1	1134-4012-02	Stöd-Vä	Support, Left	
34	2	9959-0816-16	Skruv	Screw	L = 16 mm
35	2	9739-0831-22	Mutter	Nut	
36	1	1134-3985-01	Täcklock	Cover	
37	2	9893-0616-16	Skruv Relä	Screw Relay	
38	1	1134-3970-01	Kantlist Vänster Gra	Moulding Left-Grey	
39	1	1134-3970-02	Kantlist-Hö (Gra) 7-14	Moulding Right-Grey	
40	4	9893-0616-16	Skruv Relä	Screw Relay	
99	1	1134-4593-04	Dekalsats	Label Kit	Pro 16



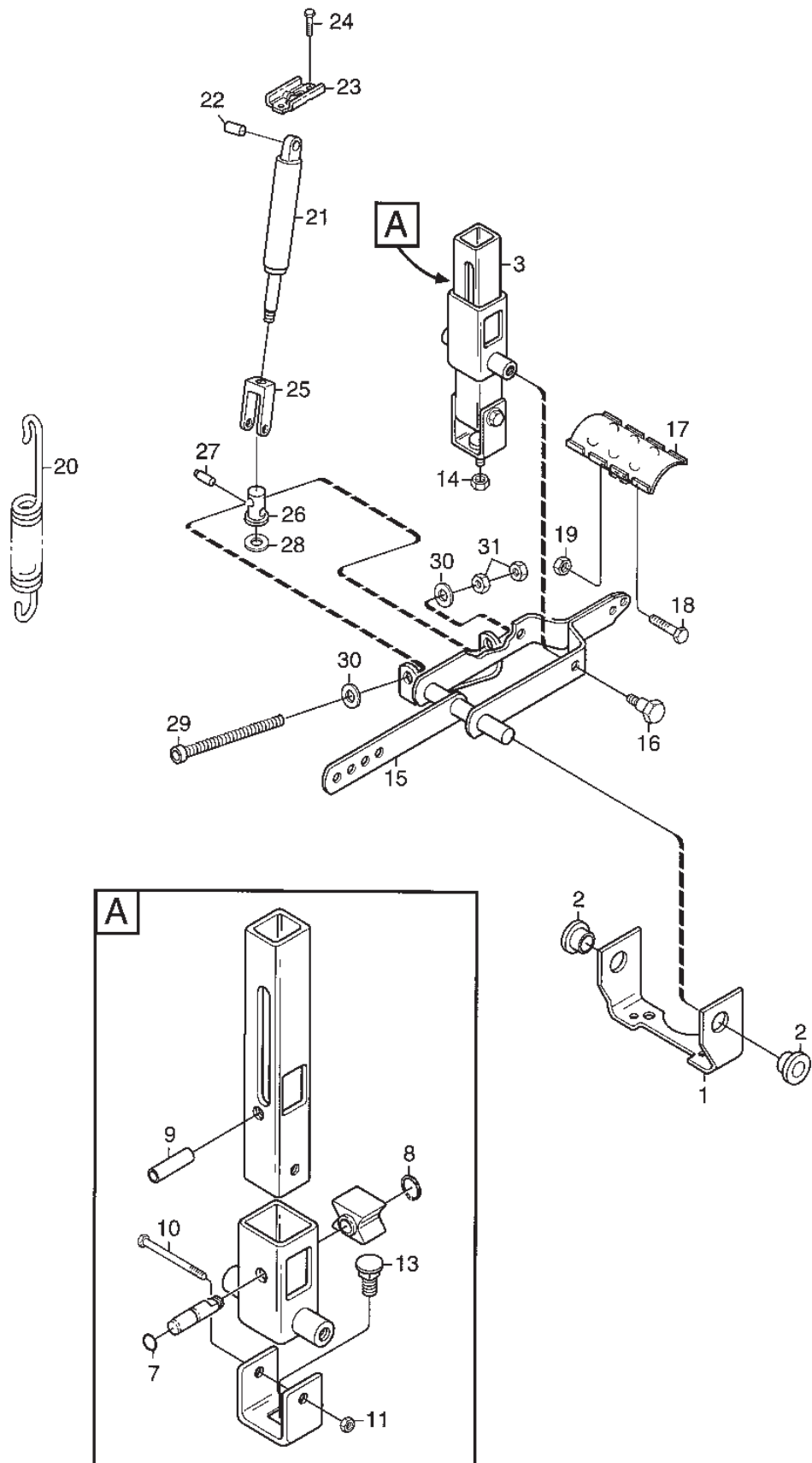
Utgåva Issue 48 - 2014		Hjul Wheels			
Pos. Fig.	Antal Quantity	Art nr Part No	Benämning	Description	Anmärkning Notes
1	2	1134-0075-01	Framaxeltapp	Front Axle	
2	2	9595-0258-00	Spännstift	Locating Pin	
3	2	1134-2888-02	Fälg M Kullager	Rim	
4	2	9549-0052-00	Kullager	Ball Bearing	
4	2	9549-0054-01	Kullager	Ball Bearing	
4	2	9549-0052-00	Kullager	Ball Bearing	
4	2	9549-0054-01	Kullager	Ball Bearing	
5	2	9545-0124-01	Däck	Tyre	17 x 8.00 - 8
6	2	9545-0500-00	Ventil	Valve Assy.	
7	8	1134-0341-01	Bricka	Washer	
8	2	9599-0080-02	SaxSprint Sp 4*28	Cotter Pin	
9	2	9699-0042-02	Bricka	Washer	
10	2	1134-3393-02	Fälg 7-13	Rim	
11	2	9545-0124-01	Däck	Tyre	17 x 8.00 - 8
12	2	9545-0500-00	Ventil	Valve Assy.	
13	2	9997-0845-12	Skruv	Screw	
14	2	9747-0831-02	Mutter Lasmutter	Nut	
15	2	1134-3383-01	Kil	Key	
16	2	9598-0003-02	Harnålssprint (Hns 4 Dubbel)	Spring Pin	
99	1	9545-0203-00	Innerslang	Inner Tube	Reservdel/spare part



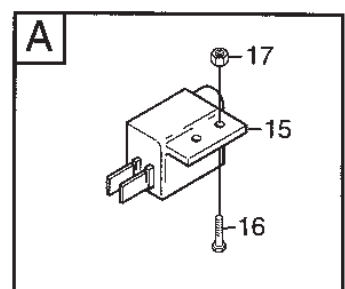
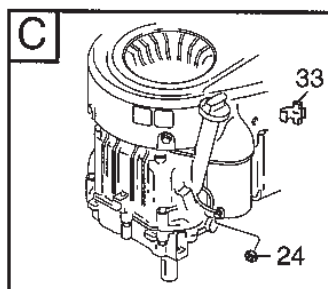
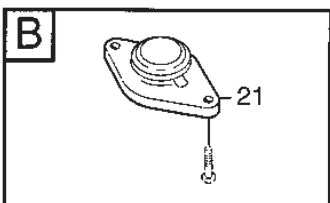
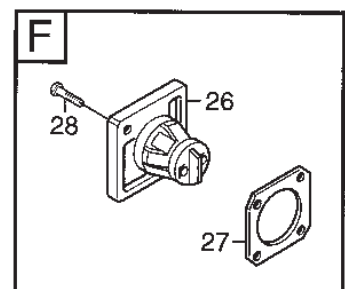
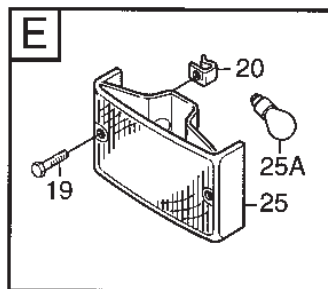
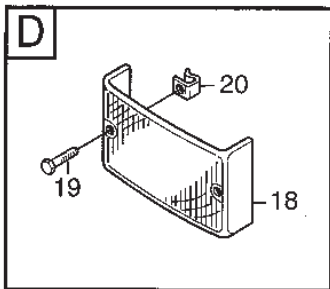
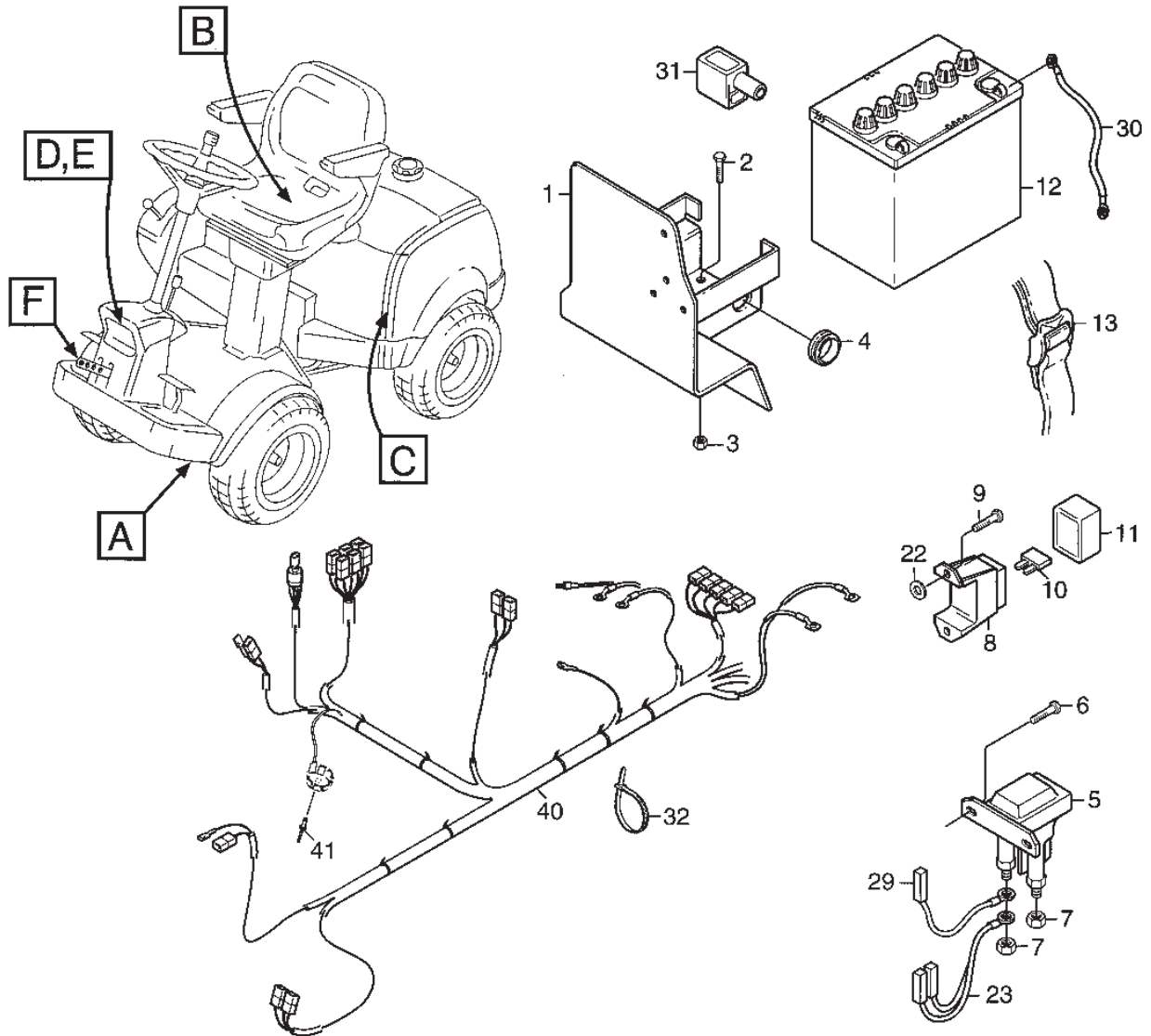
Utgåva Issue 48 - 2014		Motor	Engine		
Pos. Fig.	Antal Quantity	Art nr Part No	Benämning	Description	Anmärkning Notes
1	1	1134-4222-01	Tätningring	Seal Ring (5 Mm)	H = 5 mm
2	1	1134-2878-01	Fläktskydd	Fan Cover	
3	4	9997-0512-16	Skruv	Screw	
4	4	9699-0099-02	Bricka	Washer	
5	4	9997-0840-16	Skruv	Screw	
6	4	9739-0831-22	Mutter	Nut	
7	1	1134-4031-01	Avgasrör Kpl (VanSkydd)	Exhaust Pipe	
8	1	9578-0011-00	Klämma F Ljuddämp D35 Rid	Clamp	
9	1	1134-3244-01	Ljuddämpare	Silencer	
10	1	9959-0820-16	Skruv	Screw	
11	1	9739-0831-22	Mutter	Nut	
12	1	1134-4046-01	Berör.Skydd Kpl	Muffler Guard, Grey	
13	4	9959-0820-16	Skruv	Screw	
14	4	9739-0831-22	Mutter	Nut	
15	1	1134-4736-01	Oljeavtappningsrör Kpl	Oil Drain Pipe Assy	
16	1	1134-0995-01	Plugg	Plug	
17	1	9404-0020-00	O-Ring 11,3 X 2,4	O-ring	
18	1	1134-0997-01	Packning	Gasket	
19	1	1134-4243-01	Motorremskiva	Engine Pulley	
20	1	9600-0250-00	Kil	Key	L = 1.25" (32 mm)
21	1	9987-5357-12	Skruv	Screw	
22	1	1134-4757-02	Bränsletank Kpl (Med Mätare)	Fuel Tank Assy (W.Gauge)	Inkl. 29-33, 41-42
23	2	1134-4273-01	Tankfäste	Fuel Tank Bracket	
24	2	1134-2941-01	Kantskyddslip S	Protection Strip	
25	4	9959-0612-16	Skruv	Screw	
26	4	9747-0631-02	Mutter Lasmutter	Nut	
27	1	1134-4356-01	Lasstång (M8)	Tank Rod (M8)	
28	1	9747-0831-02	Mutter Lasmutter	Nut	
29	1	1134-4064-01	Tanklock	Fuel Cap	
30	1	1134-3224-01	Bensinkran	Fuel Shut-Off Valve	
31	1	1134-3225-01	Gummibussning Gummibussning	Grommet	
32	1	1134-2975-04	Bränsleslang	Fuel Line	L = 710 mm
33	1	9578-0023-02	Slangklämma D12*8 (Svart) Rörklammer	Hose Clamp Tube Clamp	
34	1	9579-0003-00	Buntband	Cable Holder	
40	1	1134-4481-01	Vingmutter	Wing Nut	
41	1	9404-0025-01	O-Ring 69,44X3,53 Viton	O-ring	
42	1	1134-4411-01	Insatsrör Tank	Fuel Tank Insert	
44	2	1134-4595-01	Värmskydd	Heat Guard	
45	2	9578-0026-01	Klämma Kpl. D25 Avgasrör	Clamp	
46	1	1134-0994-02	Rörklammer	Tube Clamp	
49	1	9578-0023-02	Slangklämma D12*8 (Svart) Rörklammer	Hose Clamp Tube Clamp	



Utgåva Issue 48 - 2014		Monteringsdetaljer Assembly parts			
Pos. Fig.	Antal Quantity	Art nr Part No	Benämning	Description	Anmärkning Notes
0	1	1134-4249-01	Tillbehörspase	Accessory Bag	
2	1	1111-9029-02	Tändstiftsnyckel (5/8" + 21Mm)	Spark Plug Wrench (5/8 + 21Mm)	5/8" (16 mm)/21 mm
3	2	1134-3710-01	Fäste Kpl 5-01 15	Attachment For Accessories	
4	1	9595-0262-00	Spännstift	Locating Pin Elastic Pin	
5	1	9699-0114-02	Bricka	Washer	1.0 mm
5	1	9699-0103-02	Bricka	Washer	0.5 mm
6	2	1134-4185-01	Ansatsbricka	Flange Washer	
7	2	9959-0820-16	Skruv	Screw	
8	2	1134-2609-01	Lasratt	Locking Knob	
9	2	9699-0062-02	Bricka	Washer	
10	2	1134-4734-01	Tändningsnyckel	Ignition Key	
13	1	1134-4003-01	Dragplatta 24	Towing Plate	
14	2	9959-0820-16	Skruv	Screw	
15	2	9739-0831-22	Mutter	Nut	
16	2	9837-8914-12	Skruv	Screw	Anv. till 6112, 6113
17	1	1134-4688-02	Tillbehörspase	Accessory Bag	
18	1	1134-4574-01	Fjäder	Spring	
19	1	1134-4577-01	Fjäder	Spring	
20	1	9997-0825-16	Skruv	Screw	
21	2	9747-0831-02	Mutter Lasmutter	Nut	
22	1	9997-0835-12	Skruv	Screw	
23	2	1134-4481-01	Vingmutter	Wing Nut	
30	1	1134-3771-50	Mapp m. trycksaker	Folder W. Manuals	
31	1	8211-0209-08	Säkerhetsföreskrifter	Safety regulations	
31	1	8211-0276-02	Bruksanv Park	Manual Park	
31	1	8211-0277-02	Servicehäfte Park	Service Book Park	
31	1	8211-0278-02	Monteringsanvisning	Assembly Instruction Park	
31	1	8211-2002-03	Garantikort Rider	Warranty Card	

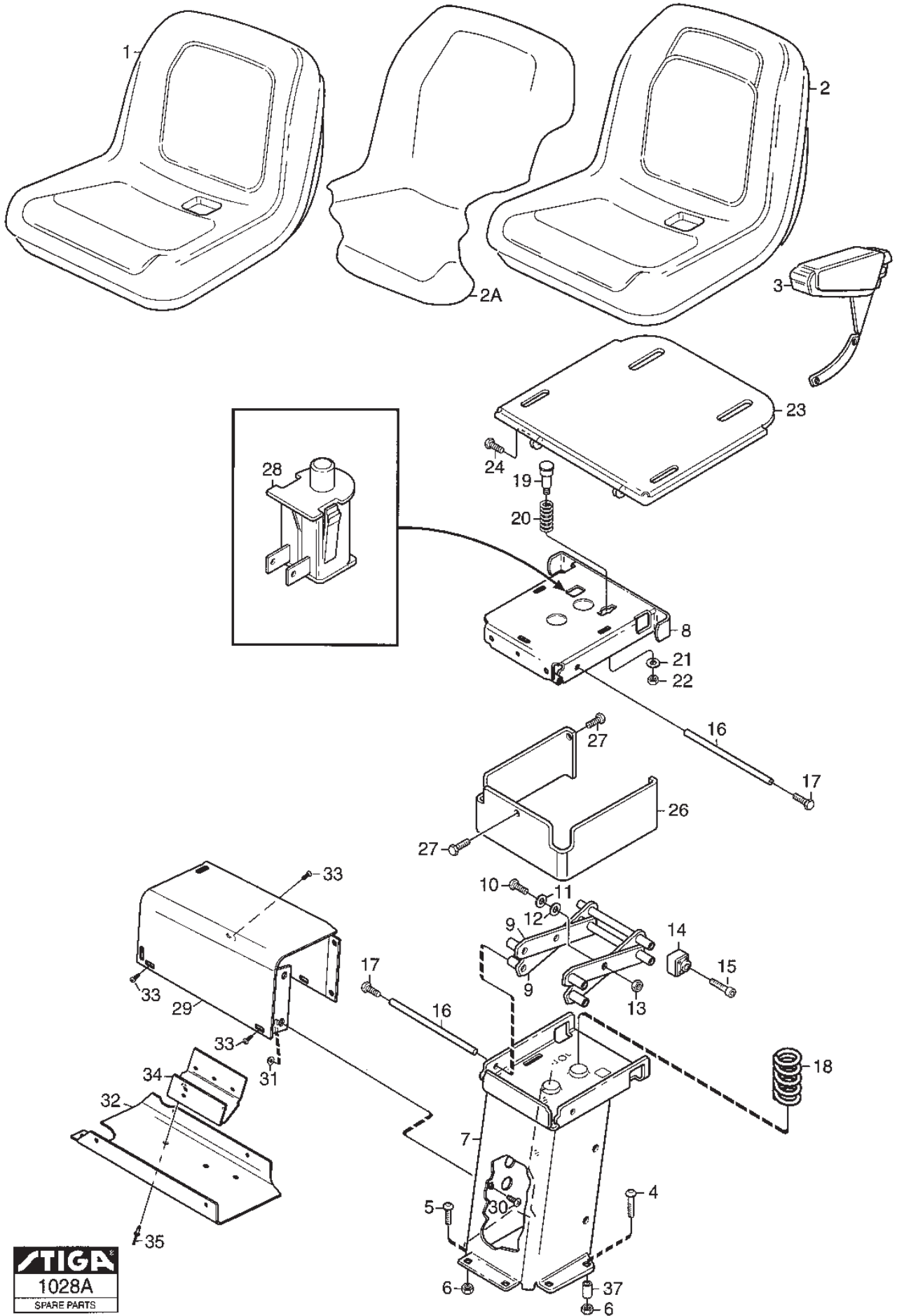


Utgåva Issue 48 - 2014		Lyftgaffel Pedal lift			
Pos. Fig.	Antal Quantity	Art nr Part No	Benämning	Description	Anmärkning Notes
1	1	1134-4117-01	Fäste	Bracket	
2	2	1134-2684-01	Lager	Bearing	
3	1	1134-4184-01	Lyftspärr Smst	Lift Catch Assy	
7	1	9404-0027-01	O-ring	O-ring	
8	1	9650-0039-04	Sparring Sga 8	Lock Ring	
9	1	9595-0276-01	Spiralspännstift 8*24	Locating Pin	
10	1	9997-0640-12	Skruv	Screw	
11	1	9747-0631-02	Mutter Lasmutter	Nut	
13	1	9897-0820-16	Skruv	Screw	
14	1	9747-0831-02	Mutter Lasmutter	Nut	
15	1	1134-4033-01	Lyftgaffel Kpl	Lift Fork	
16	2	1134-0240-00	Skruv	Screw	
17	1	1134-4098-01	Lyftpedal	Lift pedal	
18	2	9997-0620-16	Skruv	Screw	
19	2	9747-0631-02	Mutter Lasmutter	Nut	
20	1	4231-0013-00	Fjäder	Spring	



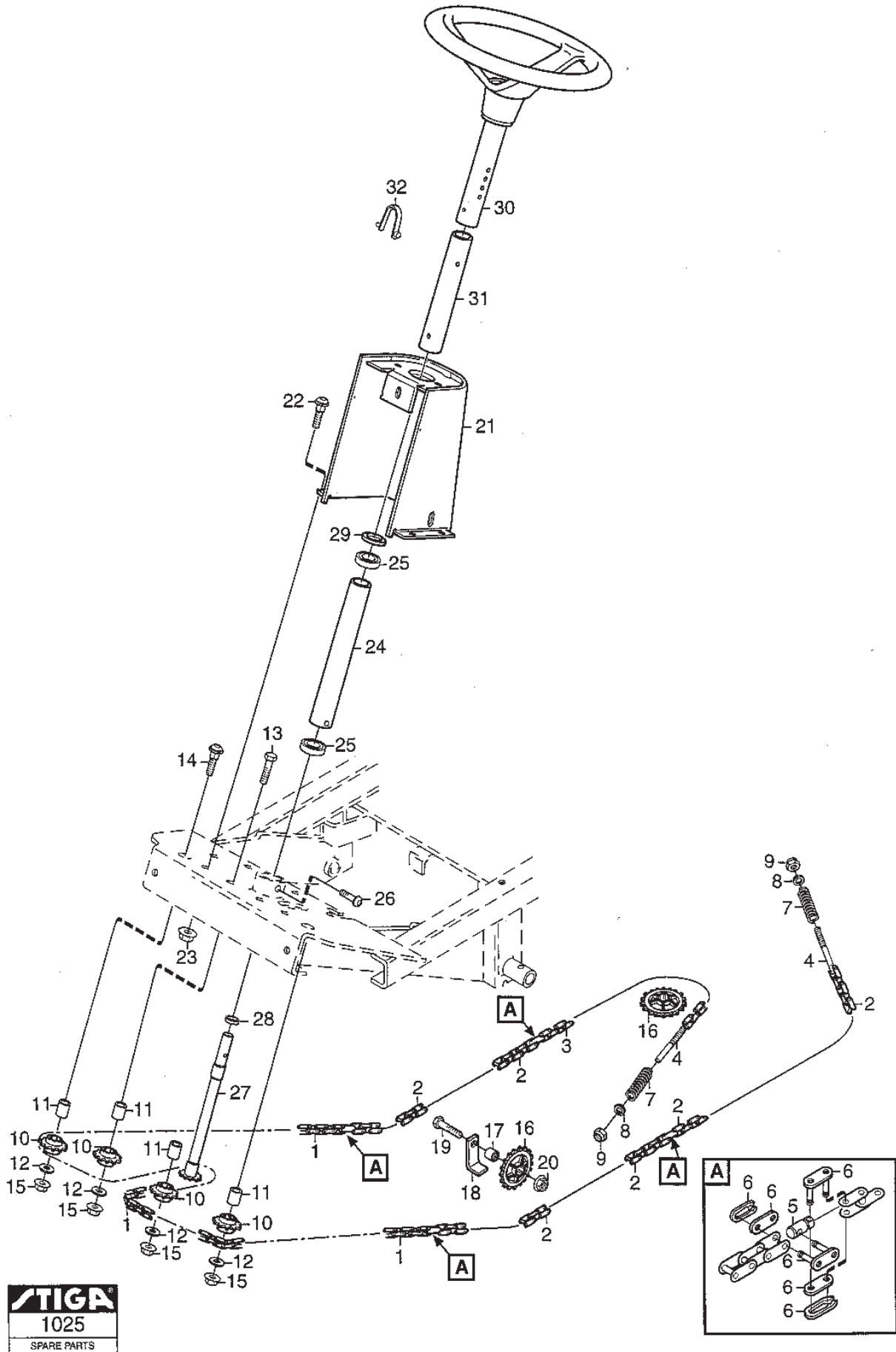
STIGA
1029B
SPARE PARTS

Utgåva Issue 48 - 2014		Elsystem Electric equipment			
Pos. Fig.	Antal Quantity	Art nr Part No	Benämning	Description	Anmärkning Notes
1	1	1134-4025-01	Batterihylla	Battery Shelf	
2	2	9959-0612-16	Skruv	Screw	
3	2	9747-0631-02	Mutter Lasmutter	Nut	
4	2	1134-3203-01	Kabelgenomföring	Grommet	
5	1	1134-2962-01	Solenoid Kpl Service	Solenoid	Inkl. pos 7
6	2	9849-8006-16	Skruv	Screw	
7	2	9794-5131-02	Mutter	Nut	
8	1	1134-3491-01	Säkringshallare	Fuse Carrier Fuse Holder	
9	2	9849-8013-16	Skruv	Screw	
10	2	1134-3496-05	Säkring (15A)	Fuse (15A)	15A
10	2	1134-3496-01	Säkring (10A)	Fuse (10A)	10A
11	1	1134-3631-01	Lock (5-01) Lock	Cover-Fuse Holder	
12	1	1134-2892-01	Batteri	Battery	
13	1	9400-0064-02	Batterihallare	Battery Holder	
15	1	1134-3399-01	Brytare	Switch	
16	2	9997-0520-16	Skruv	Screw	
17	2	9747-0531-02	Mutter	Nut	
19	2	9849-7819-16	Skruv	Screw	
20	2	1134-4177-01	Clips	Clips	
22	2	1134-3144-01	Distans	Spacer	
23	1	1134-4267-01	Kablage	Lead	
24	1	9795-3531-02	Mutter	Nut	
25	1	9400-0293-01	Glödlampa	Bulb	12V - 21W
25	1	1134-4172-01	Stralkastare	Headlamp	
26	1	1134-4056-01	Honkontakt Selv 12 V Dc 42-101-42	Female Terminal	
27	1	1134-4052-01	Bricka	Washer	
28	2	9840-7716-16	Skruv	Screw	
29	1	1134-4268-01	Kabel	Lift Arm	
30	1	1134-0234-02	Batterikabel (+)	Battery Cable (+)	
31	1	1134-2310-01	Batteriskydd	Guard Cap (+)	
32	15	9579-0003-00	Buntband	Cable Holder	6218, 6221 - 20 st.
33	2	9400-0231-00	Kabelskarv	Splicer	
40	1	1134-4266-01	Kablage(Pro20)	Harness (Pro 18-20)	13-6218, 13-6221
40	1	1134-4208-01	Kablage	Harness	13-6216
41	1	9632-0522-00	Popnit 4X9,5	Pop Rivet	

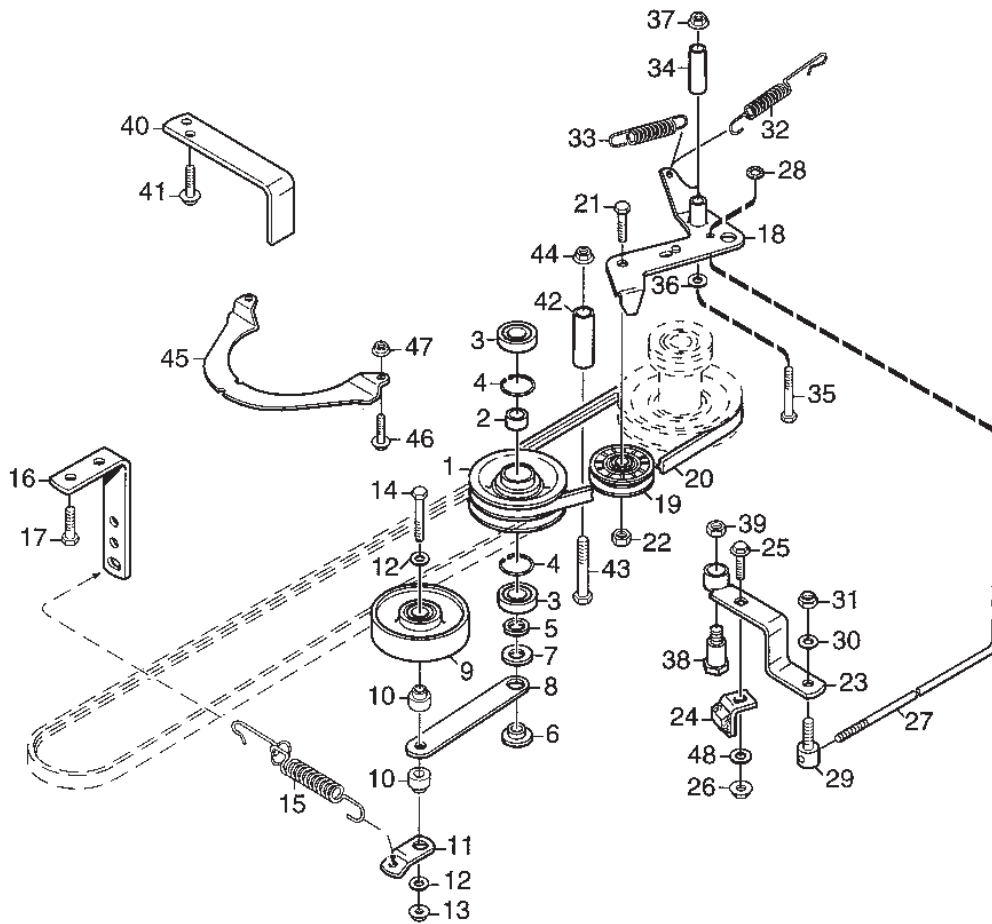


STIGA
1028A
SPARE PARTS

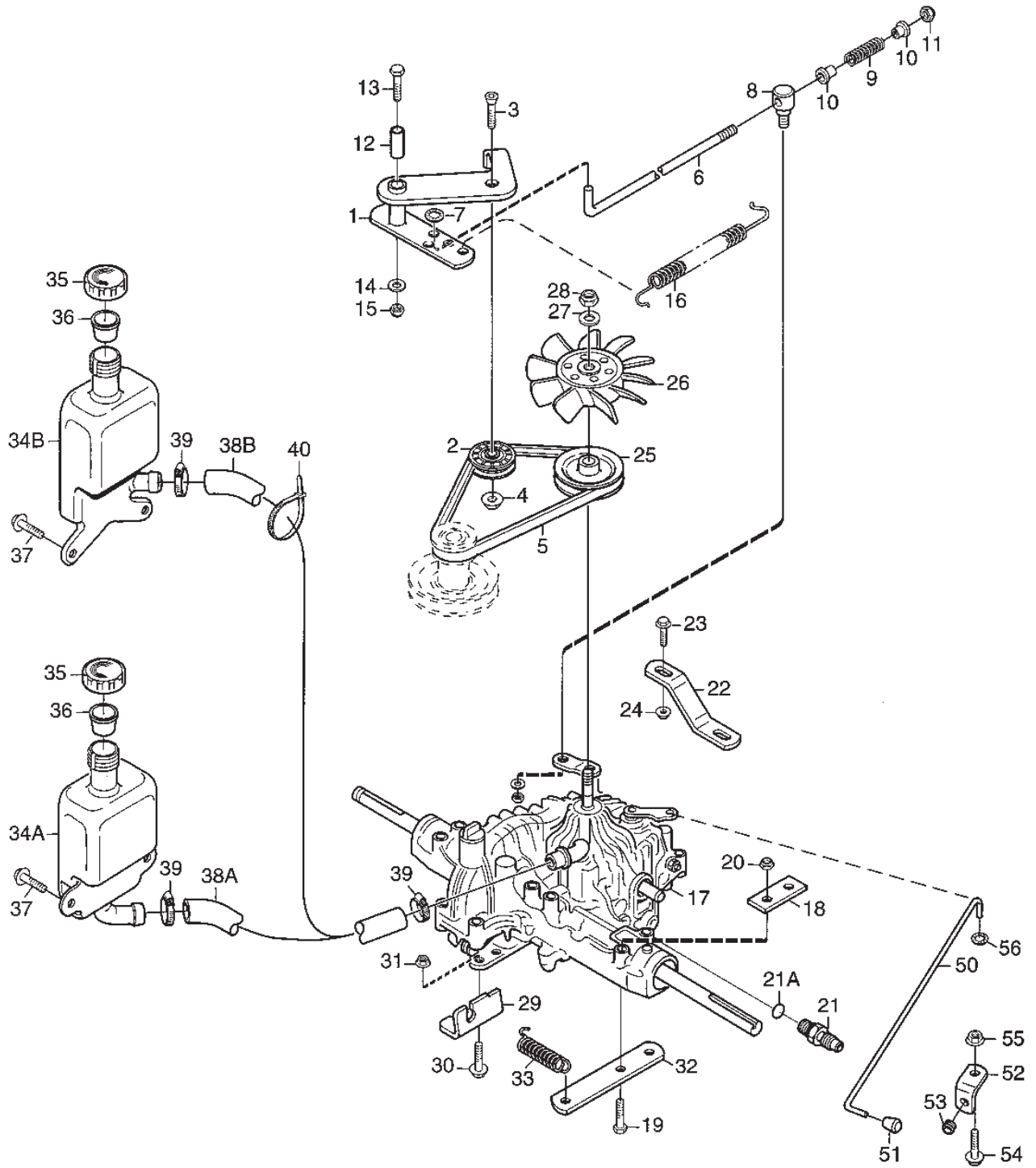
Utgåva Issue 48 - 2014		Sits	Seat		
Pos. Fig.	Antal Quantity	Art nr Part No	Benämning	Description	Anmärkning Notes
2	1	8290-9014-01	Sitsöverdrag/Värmedyna	Seat Cover	Tillbehör/Accessory
2	1	1134-4224-01	Sits (Xb180)	Seat	
2	1	13-0903-11	Sits	Seat	
4	2	9897-0880-12	Skruv	Screw	L = 80 mm
5	4	9897-0820-16	Skruv	Screw	L = 20 mm
6	6	9747-0831-02	Mutter Lasmutter	Nut	
7	1	1134-4085-01	Sitskonsol Kpl. 02	Seat Bracket	
8	1	1134-4144-01	Övre Platta Kpl 5-01 F12	Upper Seat Plate	
9	2	1134-4083-01	Länkarm Kpl.	Pivot Link	
10	2	1134-0240-00	Skruv	Screw	
11	2	9699-0069-02	Bricka	Washer	
12	2	9665-0002-00	Bricka	Washer	
13	2	9747-0831-02	Mutter Lasmutter	Nut	
14	4	1134-4084-01	Glidsko	Slide Block	
15	4	9939-0816-16	Skruv	Screw	
16	2	1134-4082-03	Axel	Shaft	
17	4	9959-0816-16	Skruv	Screw	
18	2	1134-4160-01	Fjäder	Spring	
19	1	1134-4153-01	TryckSprint	Push Pin	
20	1	1134-4159-01	Fjäder	Spring	
21	1	9699-0056-02	Bricka	Washer	
22	1	9739-0831-22	Mutter	Nut	
23	1	1134-4213-01	Glidplatta Kpl 5-01 L 02	Slide Plate	
24	2	1134-0240-00	Skruv	Screw	
26	1	1134-4142-01	Svep	Cover	
27	3	9840-8009-16	Skruv	Screw	
28	1	1134-3156-01	Brytare	Switch	
29	1	1134-3990-01	Armsvep Kpl 041-00	Attachment-Side Panel	
30	2	9897-0820-16	Skruv	Screw	
31	2	9739-0831-22	Mutter	Nut	
32	1	1134-4130-01	Undre Lock (1-00)	Cover Lower	
33	4	9840-8009-16	Skruv	Screw	
34	1	1134-4135-01	Relähallare 24	Relay Holder	
35	2	9632-0522-00	Popnit 4X9,5	Pop Rivet	
37	2	1134-1565-08	Distans	Spacer	



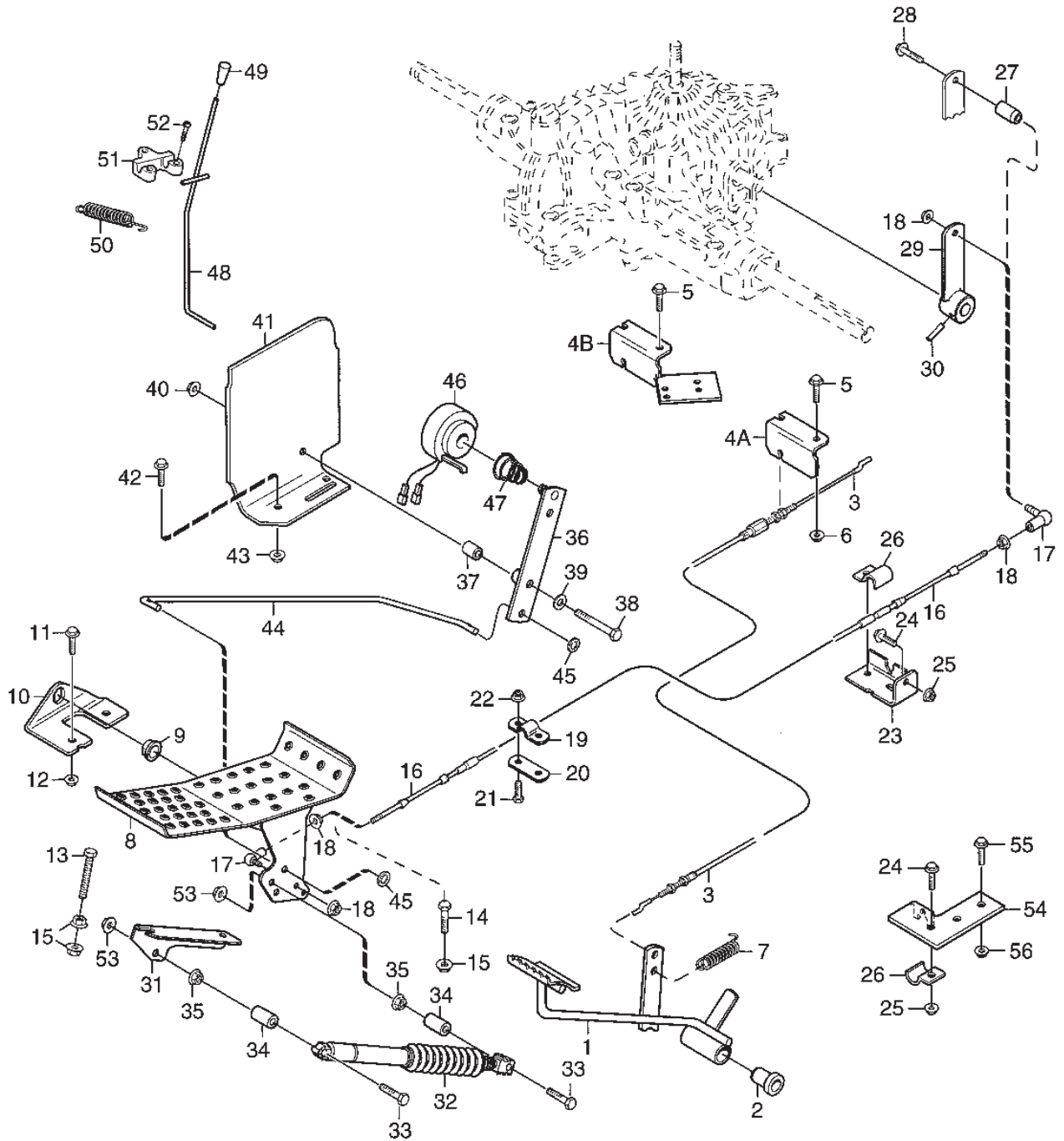
Utgåva Issue 48 - 2014		Styrning Steering			
Pos. Fig.	Antal Quantity	Art nr Part No	Benämning	Description	Anmärkning Notes
1	1	1134-2820-06	Kedja	Chain	83 länk
2	3	1134-2820-02	Kedja	Chain	41 länk
3	1	1134-2820-04	Kedja	Chain	45 länk
4	2	1134-3550-01	Ändnippel (L110)	End Nipple	
5	4	1134-3565-01	Skarvnippel	Connection Nipple	
6	10	1134-2824-01	Kedjelas	Chain Lock	
7	2	1134-3817-01	Fjäder	Spring	
8	2	9699-0090-02	Bricka	Washer	
9	2	9747-0831-02	Mutter Lasmutter	Nut	
10	4	1134-2816-01	Kedjehjul	Sprocket	
11	4	1134-0041-02	Bussning	Bushing	
12	4	9699-0035-02	Bricka	Washer	
13	2	9997-1050-16	Skruv	Screw	
14	2	9897-1040-12	Skruv	Screw	
15	4	9739-1031-22	Mutter	Nut	
16	3	1134-3547-01	Kedjehjul	Sprocket	
17	2	1134-0041-01	Bussning	Bushing	
18	2	1134-3022-01	Fäste	Bracket	
19	2	9997-1030-16	Skruv	Screw	
20	2	9739-1031-22	Mutter	Nut	
21	1	1134-4120-01	Styrkonsol	Steering Console	
21	1	1134-4120-03	Styrkonsol	Steering Console	
21	1	1134-4120-01	Styrkonsol	Steering Console	
21	1	1134-4120-03	Styrkonsol	Steering Console	
22	4	9897-0820-16	Skruv	Screw	
23	4	9739-0831-22	Mutter	Nut	
24	1	1134-3085-01	Rattrör Nedre	Steering Column, Lower	
25	2	9549-0017-00	Kullager	Ball Bearing	
26	2	9893-0616-16	Skruv Relä	Screw Relay	
27	1	1134-3084-01	Rattstang	Steering Rod	
28	1	1134-2837-02	Distans	Spacer	
29	1	9695-0011-00	Bricka	Washer	
30	1	1134-4155-01	Ratt	Steering Wheel	
31	1	1134-4218-01	Rattrör Inre Smst	Steering Tube Inner	
32	1	1134-4138-01	Spärr	Catch	



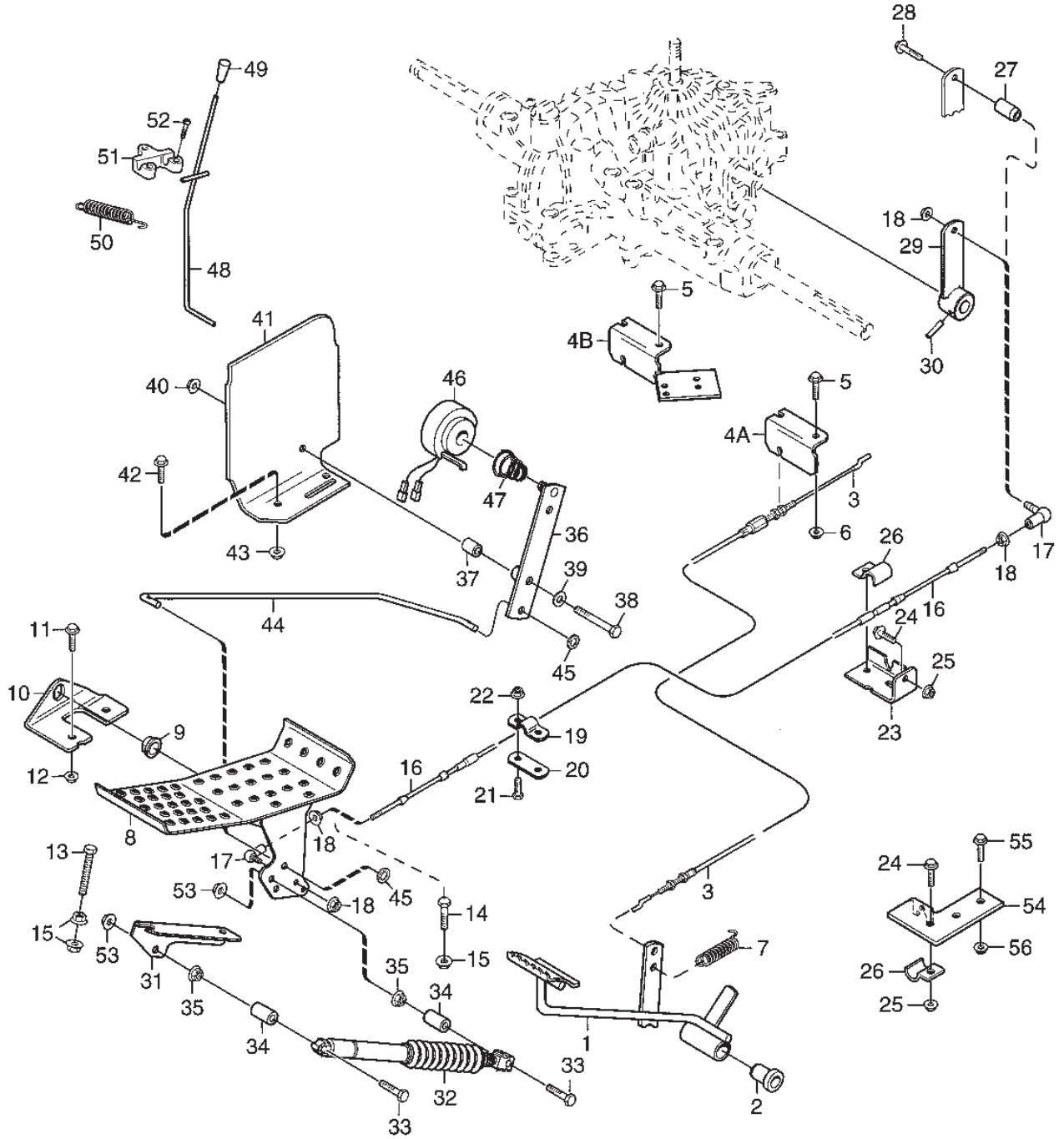
Utgåva Issue 48 - 2014		PTO			
Pos. Fig.	Antal Quantity	Art nr Part No	Benämning	Description	Anmärkning Notes
1	1	1134-1769-02	Remskiva	Belt Pulley	
2	1	1134-0051-09	Distans	Spacer	
3	2	9549-0019-00	Kullager	Ball Bearing	
4	2	9651-0040-04	Sparring Sgh 40	Circlip	
5	1	1134-0052-00	Distans	Spacer	
6	1	1134-0222-00	Bricka	Washer	
7	1	9699-0109-02	Bricka	Washer	
8	1	1134-1730-01	Spännhjul sarm	Tensioning Wheel Arm	
9	1	1134-1770-01	Spännhjul Kpl	Tension Roller	
10	2	1134-1888-01	Distans	Spacer	
11	1	1134-1893-01	Fjäder	Spring	
12	2	9699-0062-02	Bricka	Washer	
13	1	9739-0831-22	Mutter	Nut	
14	1	9997-0865-12	Skruv	Screw	
15	1	1134-1322-02	Fjäder	Spring	
16	1	1134-3959-01	Fjäder	Spring	
17	2	9945-0816-16	Skruv	Screw	
18	1	1134-2018-02	Spännarm Kpl	Tension Arm	
19	1	1134-9027-01	Spännrulle (Svart)	Tension Roller (Black)	
20	1	1134-9071-01	Kilrem	V-Belt	= 9585-0129-01
21	1	9997-1030-16	Skruv	Screw	
22	1	9799-1031-02	Mutter	Nut	
23	1	1134-4111-01	Bromsarm Kpl	Brake Arm	
24	1	1134-4164-01	Bromsklots	Brake Pad	
25	1	9897-0820-16	Skruv	Screw	
26	1	9747-0831-02	Mutter Lasmutter	Nut	
27	1	1134-4162-01	Bromsstang	Brake Rod	
28	1	9675-0008-02	Starlockbricka	Starlock	
29	1	1134-4170-01	Nippel	Nippel	
30	1	9699-0025-02	Bricka	Washer	
31	1	9747-0631-02	Mutter Lasmutter	Nut	
32	1	4231-0013-00	Fjäder	Spring	
33	1	1134-4231-01	Fjäder	Brake Spring	
34	1	1134-1565-10	Distans	Spacer	
35	1	9997-0855-12	Skruv	Screw	L = 55 mm
36	1	9699-0056-02	Bricka	Washer	
37	1	9739-0831-22	Mutter	Nut	
38	1	1134-4163-01	Ansatsskruv	Shoulder Bolt	
39	1	9747-1031-02	Mutter Lasmutter	Nut	
40	1	1134-3958-01	Remstyrning	Belt Guide	
41	2	9893-0616-16	Skruv Relä	Screw Relay	
42	1	1134-0041-03	Bussning	Bushing	
43	1	9997-1070-12	Skruv	Screw	
44	1	9739-1031-22	Mutter	Nut	
45	1	1134-3654-01	Fingerskydd 5-01 24	Guard	
46	2	9959-0612-16	Skruv	Screw	
47	2	9739-0631-22	Mutter	Nut	
48	1	9699-0090-02	Bricka	Washer	



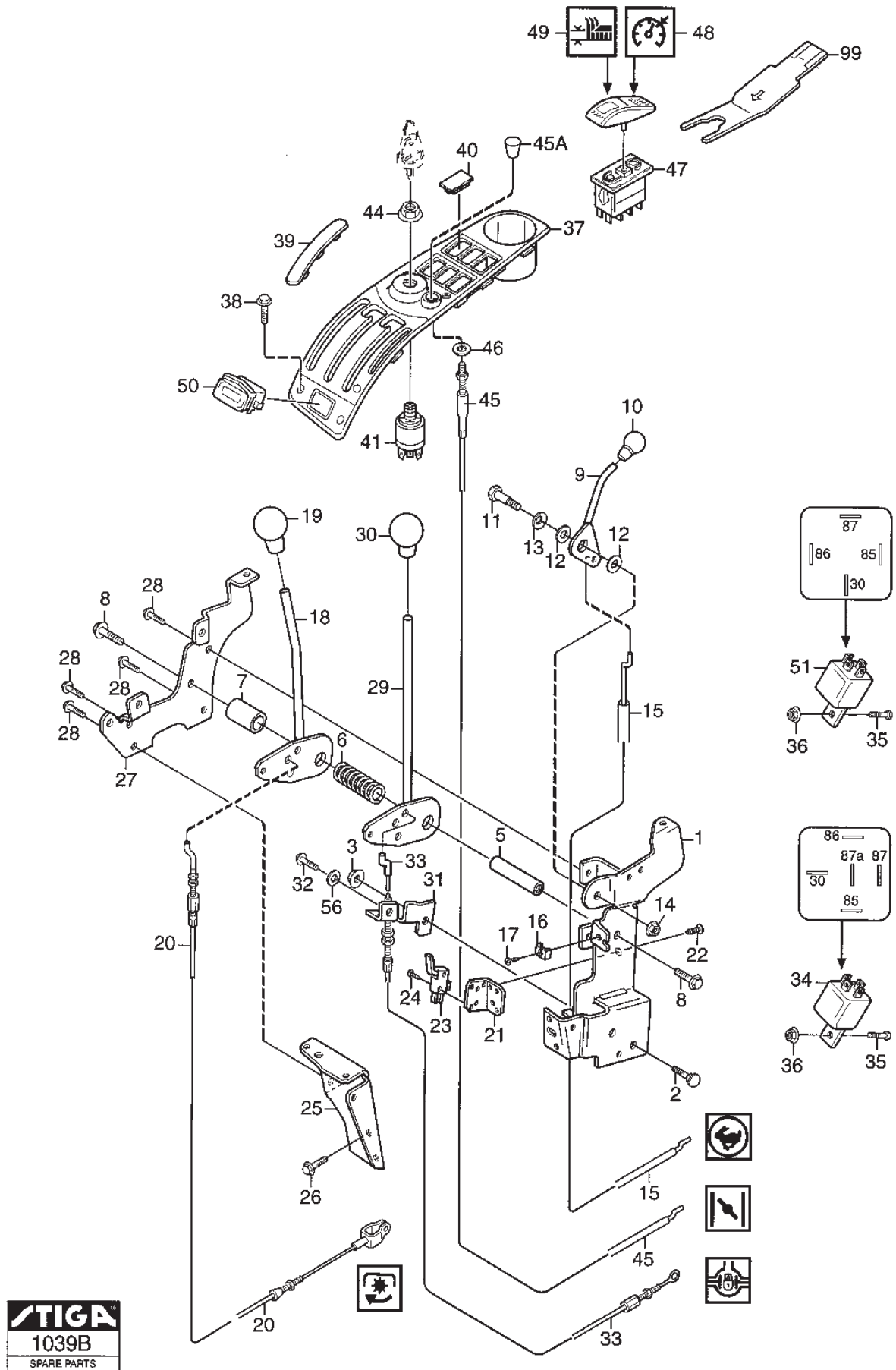
Utgåva Issue 48 - 2014		Transmission		Transmission	
Pos. Fig.	Antal Quantity	Art nr Part No	Benämning	Description	Anmärkning Notes
1	1	1134-4000-01	Spännarm	Tension Arm	
2	1	1134-3459-01	Remskiva Spännrulle	Belt Pulley Tension Roller	
3	1	9924-1035-16	Skruv	Screw	
4	1	9799-1031-02	Mutter	Nut	
5	1	1134-9029-01	Kilrem	V-Belt	= 9585-0055-00
6	1	1134-3377-03	Reglagestang	Control Rod	
7	1	9675-0008-02	Starlockbricka	Starlock	
8	1	1134-4171-01	Ledtapp	Pivot Pin	
9	1	1134-4183-01	Fjäder	Spring	
10	2	1134-3456-01	Bussning	Bushing	
11	1	9747-0631-02	Mutter Lasmutter	Nut	
12	1	1134-1565-08	Distans	Spacer	
13	1	9997-0875-12	Skruv	Screw	
14	1	9699-0056-02	Bricka	Washer	
15	1	9747-0831-02	Mutter Lasmutter	Nut	
16	1	1134-3211-02	Fjäder	Spring	
17	1	1134-3994-01	Transaxel K62	Transaxle	Kanzaki K62E
18	2	1134-3376-01	Distansplåt	Spacer Plate	
19	4	9997-0875-12	Skruv	Screw	L = 75 mm
20	4	9747-0831-02	Mutter Lasmutter	Nut	
22	1	1134-3913-01	Reaktionsstag 5-01 F24	Strut	
23	2	9959-0820-16	Skruv	Screw	
24	2	9747-0831-02	Mutter Lasmutter	Nut	
25	1	1134-4191-01	Remskiva	Belt Pulley	
26	1	1134-4190-01	Fläkt	Fan	
27	1	9699-0030-02	Bricka	Washer	
28	1	9747-1031-02	Mutter Lasmutter	Nut	
29	1	1134-3914-01	Vajerfäste 24	Cabel Holder	
30	1	9959-0820-16	Skruv	Screw	
31	1	9739-0831-22	Mutter	Nut	
32	1	1134-4049-01	Stag 24	Strut	
33	1	1134-4232-01	Fjäder	Spring	
34	1	1134-3998-01	Tank	Oil Tank	
34	1	1134-4758-01	Tank	Oil Tank	
35	1	1134-2777-02	Tanklock	Filler Cap	
36	1	1134-3734-01	Plugg (Service)	Vent Plug	
37	2	9945-0816-16	Skruv	Screw	
38	1	1134-4011-01	Slang (L400)	Oil Hose (L=400)	L = 400 mm
38	1	1134-4011-02	Slang (L380)	Oil Hose (L=380)	L = 380 mm
39	2	9578-0025-01	Slangklämma Dim 18-27 Gemi	Hose Clamp	
40	1	9579-0003-00	Buntband	Cable Holder	
50	1	1134-4015-01	Dragstang	Pull Rod	
51	1	1134-4014-01	Plastknopp	Knob	
52	1	1134-4713-01	Vinkelfäste	Angle Bracket	
53	1	1134-2790-01	Kabelgenomföring	Cable Protection	
54	1	9959-0816-16	Skruv	Screw	
55	1	9739-0831-22	Mutter	Nut	
56	1	9675-0009-02	Starlockbricka	Starlock	



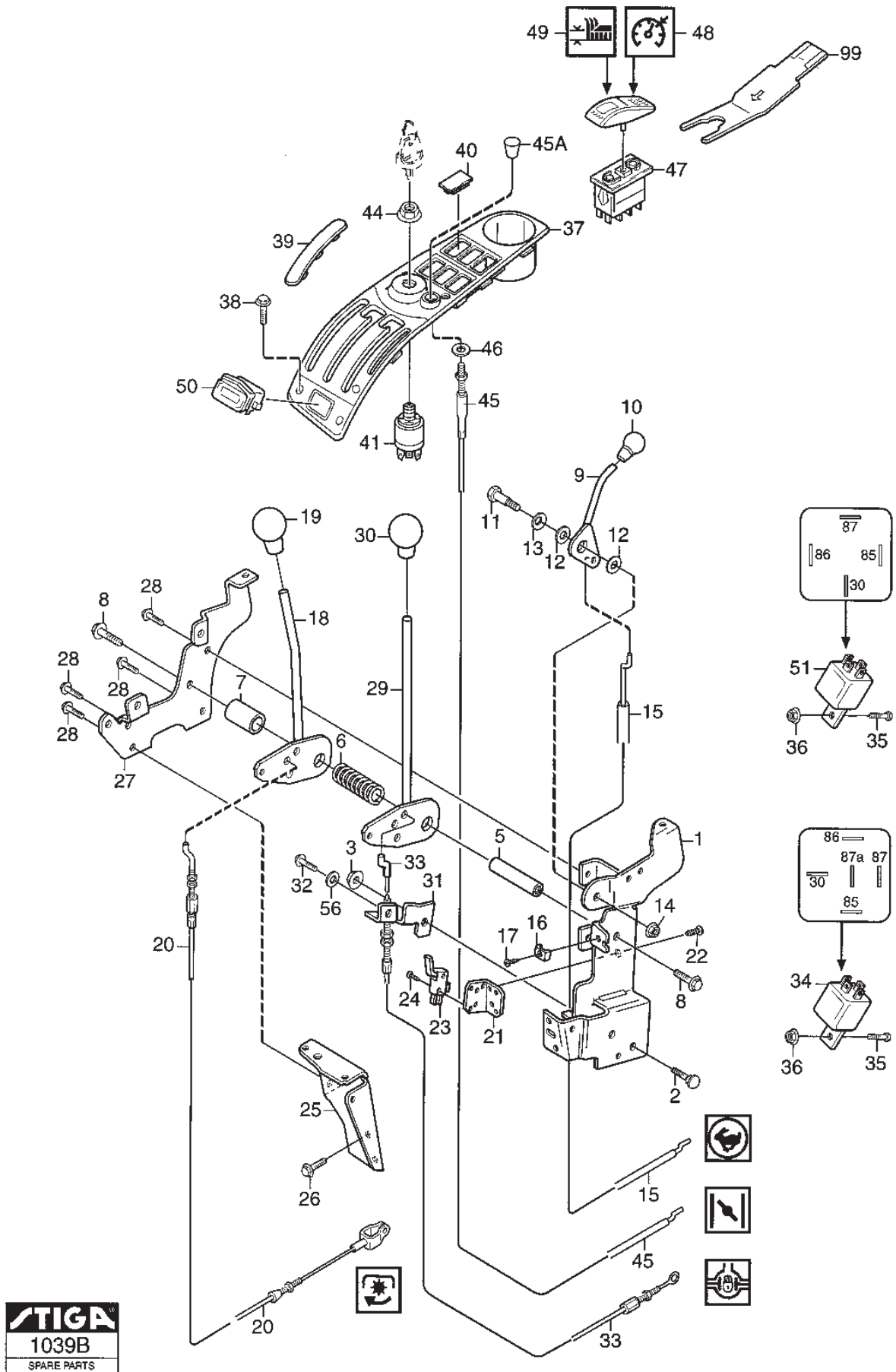
Utgåva Issue 48 - 2014		Fotreglage		Foot controls	
Pos. Fig.	Antal Quantity	Art nr Part No	Benämning	Description	Anmärkning Notes
1	1	1134-4247-01	Kopplingspedal Kpl	Clutch Pedal	
2	1	1134-9024-01	Lager (4 St)	Bearing	Sats 4 st/kit of 4
3	1	1134-3584-02	Wire	Brake/Clutch Cable	
4	1	1134-3906-01	Vajerfäste 24	Cabel Holder	
4	1	1134-4760-01	Fäste	Cable/Oil Hose Holder	
5	2	9959-0816-16	Skruv	Screw	
6	2	9739-0831-22	Mutter	Nut	
7	1	1134-3974-01	Fjäder	Spring	
8	1	1134-4008-01	Drivpedal	Drive Pedal	
9	2	1134-2780-01	Lager	Bearing	
10	2	1134-2700-01	Fäste	Bracket	
11	2	9959-0820-16	Skruv	Screw	
12	2	9739-0831-22	Mutter	Nut	
13	1	9997-0870-16	Skruv	Screw	
14	1	9959-0816-16	Skruv	Screw	
15	3	9739-0831-22	Mutter	Nut	
16	1	1134-2766-04	Reglagevajer	Speed Control Cable	
17	2	9570-0001-00	Vinkellänk As8 Din 71802M5 Länk	Elbow Link Joint	
18	4	9739-0531-22	Mutter	Nut	
19	1	1134-0266-00	Plat Fästbygel	Plate Attaching Clamp	
20	1	1134-0267-00	Plat Underläggsbleck	Plate Clamp Plate	
21	2	9997-0520-16	Skruv	Screw	
22	2	9739-0531-22	Mutter	Nut	
23	1	1134-3395-01	Fäste 24 (5-01)	Attachment	
24	2	9959-0820-16	Skruv	Screw	L = 20 mm
25	2	9739-0831-22	Mutter	Nut	
26	1	1134-2021-01	Växelwirefäste	Clamp	
29	1	1134-4042-01	ReglaVäxelm Kpl.	Control Lever	
30	1	9595-0258-00	Spännstift	Locating Pin	
31	1	1134-3996-01	Fäste	Bracket	
32	1	1134-4187-01	Dämpare	Absorber Damper	
33	2	9997-0840-16	Skruv	Screw	
34	2	1134-1565-09	Distans	Spacer	
35	2	9739-0831-22	Mutter	Nut	
36	1	1134-4017-01	Arm Kpl.	Lever, Cruise Control	
37	1	1134-1565-01	Distans	Spacer	
38	1	9997-0850-16	Skruv	Screw	
39	1	9699-0056-02	Bricka	Washer	
40	1	9739-0831-22	Mutter	Nut	
41	1	1134-4020-01	Plat Farth.	Plate-Cruise Control	
42	2	9959-0816-16	Skruv	Screw	
43	2	9739-0831-22	Mutter	Nut	
44	1	1134-4021-01	Stag Farth.	Rod-Cruise Control	
45	2	9675-0012-02	Starlock	Locking washer	
46	1	1134-2859-01	Magnet	Magneto	
47	1	1134-2858-01	Fjäder	Spring	
48	1	1134-3953-01	Bromsstang	Brake Rod	
49	1	1134-3808-01	Knopp	Knob	
50	1	1131-1497-01	Fjäder	Brake Spring	



Utgåva Issue 48 - 2014		Fotreglage Foot controls			
Pos. Fig.	Antal Quantity	Art nr Part No	Benämning	Description	Anmärkning Notes
51	1	1134-4002-01	Fäste	Brake Rod Attachment	
52	3	9836-9512-12	Skruv	Screw	
53	2	9747-0831-02	Mutter Lasmutter	Nut	
54	1	1134-3910-01	Vajerfäste 24	Cable Holder	
55	2	9959-0816-16	Skruv	Screw	L = 16 mm
56	2	9739-0831-22	Mutter	Nut	



Utgåva Issue 48 - 2014		Handreglage Hand controls			
Pos. Fig.	Antal Quantity	Art nr Part No	Benämning	Description	Anmärkning Notes
1	1	1134-4156-01	Vinkelhallare Kpl 24	Panel Bracket-Inner	
2	2	9897-0820-16	Skruv	Screw	
3	2	9739-0831-22	Mutter	Nut	
5	1	1134-4065-01	Reglageaxel	Control Shaft	
6	1	1134-4079-01	Fjäder	Spring	
7	1	1134-4080-03	Reglagehylsa	Control Sleeve	
8	2	9959-0820-16	Skruv	Screw	
9	1	1134-4077-01	Gasreglage	Throttle Cable	
10	1	1134-4078-01	Knopp	Knob	
11	1	1134-0240-00	Skruv	Screw	
12	2	1134-4242-01	Bricka Distansbricka	Washer	
13	1	9694-0001-00	Bricka	Washer	
14	1	9739-0831-22	Mutter	Nut	
15	1	1134-4195-01	Gasreglage	Throttle Cable	
16	1	9500-9991-00	Kabelklämma	Wire Clamp	
17	1	9943-0516-16	Skruv	Screw	
18	1	1134-4072-01	Aggregatpak Kpl	Control Lever	
19	1	1134-2551-01	Knopp	Knob	
20	1	1134-3573-03	Kraftuttagwire	Pto Cable	
21	1	1134-4217-01	Brytarfäste	Switch Bracket	
22	2	9849-8013-16	Skruv	Screw	
23	1	9400-0285-01	Brytare	Switch	
24	2	9840-7716-16	Skruv	Screw	
25	1	1134-4487-01	Frontfäste5-01 H14	Panel Bracket-Front	
26	2	9893-0616-16	Skruv Relä	Screw Relay	
27	1	1134-3986-01	Frontplat	Frontplate	
28	4	9893-0616-16	Skruv Relä	Screw Relay	
29	1	1134-4069-01	Reglagespak	Control Lever	
30	1	1134-2551-01	Knopp	Knob	
31	1	1134-4073-01	Vajerfästplat	Cable Holder	
32	1	9942-0612-16	Skruv	Screw	
33	1	1134-4006-01	Vajer	Cable	
34	2	1134-2871-03	Relä	Relay	
35	3	9997-0520-16	Skruv	Screw	
36	3	9739-0531-22	Mutter	Nut	
37	1	1134-3981-03	Kassett	Dashboard	
38	4	9946-0525-16	Skruv	Screw	
39	1	1134-4154-01	Täckbricka	Cover	
40	4	1134-4129-01	Täckbricka	Cover	
41	1	1134-4093-01	Tändningslas	Ignition Switch	
44	1	1134-4749-01	Mutter	Nut	
45	1	1134-4338-01	Reglageknopp Reglageknopp	Control Button-Choke	
45	1	1134-2872-02	Chokereglage Kpl	Choke Control	
46	2	9699-0028-02	Bricka	Washer	
47	2	9400-0282-01	Brytare (Med Diod)	Switch	
48	1	9400-0280-02	Vippa Farthallare	Switch	
49	1	9400-0280-03	Vippa Höjdinst	Switch Cover-Height Adjust	
50	1	1134-4179-01	Timräknare	Hour Meter	
51	1	1134-2871-01	Relä Relä	Relay	



Utgåva Issue 48 - 2014		Handreglage Hand controls			
Pos. Fig.	Antal Quantity	Art nr Part No	Benämning	Description	Anmärkning Notes
56	1	9699-0025-02	Bricka	Washer	
99	1	9400-0290-01	Verktyg F.Vippa	Tool	Tillbehör/Accessory

code	pos.	q.ty	page											
13-0903-11	2	1	p. 51	1134-3084-01	27	1	p. 53	1134-4011-01	38	1	p. 57			
1111-9029-02	2	1	p. 45	1134-3085-01	24	1	p. 53	1134-4011-02	38	1	p. 57			
1131-1497-01	50	1	p. 59	1134-3144-01	22	2	p. 49	1134-4012-01	32	1	p. 39			
1134-0031-00	3	1	p. 37	1134-3156-01	28	1	p. 51	1134-4012-02	33	1	p. 39			
1134-0041-01	17	2	p. 53	1134-3203-01	4	2	p. 49	1134-4014-01	51	1	p. 57			
1134-0041-02	11	4	p. 53	1134-3211-02	16	1	p. 57	1134-4015-01	50	1	p. 57			
1134-0041-03	42	1	p. 55	1134-3224-01	30	1	p. 43	1134-4017-01	36	1	p. 59			
1134-0051-09	2	1	p. 55	1134-3225-01	31	1	p. 43	1134-4020-01	41	1	p. 59			
1134-0052-00	5	1	p. 55	1134-3244-01	9	1	p. 43	1134-4021-01	44	1	p. 59			
1134-0052-00	12	1	p. 37	1134-3376-01	18	2	p. 57	1134-4025-01	1	1	p. 49			
1134-0075-01	1	2	p. 41	1134-3377-03	6	1	p. 57	1134-4031-01	7	1	p. 43			
1134-0222-00	6	1	p. 55	1134-3383-01	15	2	p. 41	1134-4033-01	15	1	p. 47			
1134-0225-00	11	2	p. 39	1134-3393-02	10	2	p. 41	1134-4042-01	29	1	p. 59			
1134-0234-02	30	1	p. 49	1134-3395-01	23	1	p. 59	1134-4046-01	12	1	p. 43			
1134-0240-00	10	2	p. 51	1134-3399-01	15	1	p. 49	1134-4049-01	32	1	p. 57			
1134-0240-00	11	1	p. 63	1134-3456-01	10	2	p. 57	1134-4052-01	27	1	p. 49			
1134-0240-00	16	2	p. 47	1134-3459-01	2	1	p. 57	1134-4056-01	26	1	p. 49			
1134-0240-00	24	2	p. 51	1134-3491-01	8	1	p. 49	1134-4060-01	19	1	p. 37			
1134-0266-00	19	1	p. 59	1134-3496-01	10	2	p. 49	1134-4060-01	19	1	p. 37			
1134-0267-00	20	1	p. 59	1134-3496-05	10	2	p. 49	1134-4061-01	17	1	p. 37			
1134-0341-01	7	8	p. 41	1134-3547-01	16	3	p. 53	1134-4064-01	29	1	p. 43			
1134-0994-02	46	1	p. 43	1134-3550-01	4	2	p. 53	1134-4065-01	5	1	p. 63			
1134-0995-01	16	1	p. 43	1134-3565-01	5	4	p. 53	1134-4069-01	29	1	p. 63			
1134-0997-01	18	1	p. 43	1134-3573-03	20	1	p. 63	1134-4072-01	18	1	p. 63			
1134-1322-02	15	1	p. 55	1134-3584-02	3	1	p. 59	1134-4073-01	31	1	p. 63			
1134-1565-01	37	1	p. 59	1134-3631-01	11	1	p. 49	1134-4077-01	9	1	p. 63			
1134-1565-08	12	1	p. 57	1134-3654-01	45	1	p. 55	1134-4078-01	10	1	p. 63			
1134-1565-08	37	2	p. 51	1134-3710-01	3	2	p. 45	1134-4079-01	6	1	p. 63			
1134-1565-09	34	2	p. 59	1134-3734-01	36	1	p. 57	1134-4080-03	7	1	p. 63			
1134-1565-10	34	1	p. 55	1134-3771-50	30	1	p. 45	1134-4082-03	16	2	p. 51			
1134-1730-01	8	1	p. 55	1134-3808-01	49	1	p. 59	1134-4083-01	9	2	p. 51			
1134-1769-02	1	1	p. 55	1134-3817-01	7	2	p. 53	1134-4084-01	14	4	p. 51			
1134-1770-01	9	1	p. 55	1134-3906-01	4	1	p. 59	1134-4085-01	7	1	p. 51			
1134-1888-01	10	2	p. 55	1134-3910-01	54	1	p. 61	1134-4093-01	41	1	p. 63			
1134-1893-01	11	1	p. 55	1134-3913-01	22	1	p. 57	1134-4098-01	17	1	p. 47			
1134-2018-02	18	1	p. 55	1134-3914-01	29	1	p. 57	1134-4111-01	23	1	p. 55			
1134-2021-01	26	1	p. 59	1134-3919-01	1	1	p. 37	1134-4117-01	1	1	p. 47			
1134-2171-01	5	1	p. 37	1134-3942-01	1	1	p. 39	1134-4120-01	21	1	p. 53			
1134-2310-01	31	1	p. 49	1134-3943-01	5	1	p. 39	1134-4120-01	21	1	p. 53			
1134-2551-01	19	1	p. 63	1134-3943-02	6	1	p. 39	1134-4120-03	21	1	p. 53			
1134-2551-01	30	1	p. 63	1134-3953-01	48	1	p. 59	1134-4120-03	21	1	p. 53			
1134-2609-01	8	2	p. 45	1134-3958-01	40	1	p. 55	1134-4129-01	40	4	p. 63			
1134-2684-01	2	2	p. 47	1134-3959-01	16	1	p. 55	1134-4130-01	32	1	p. 51			
1134-2700-01	10	2	p. 59	1134-3963-02	2	1	p. 37	1134-4135-01	34	1	p. 51			
1134-2766-04	16	1	p. 59	1134-3965-01	16	1	p. 37	1134-4138-01	32	1	p. 53			
1134-2777-02	35	1	p. 57	1134-3966-01	8	1	p. 37	1134-4142-01	26	1	p. 51			
1134-2780-01	9	2	p. 59	1134-3968-01	11	1	p. 37	1134-4144-01	8	1	p. 51			
1134-2790-01	53	1	p. 57	1134-3969-01	30	1	p. 39	1134-4152-01	26	1	p. 39			
1134-2816-01	10	4	p. 53	1134-3970-01	38	1	p. 39	1134-4153-01	19	1	p. 51			
1134-2820-02	2	3	p. 53	1134-3970-02	39	1	p. 39	1134-4154-01	39	1	p. 63			
1134-2820-04	3	1	p. 53	1134-3971-01	2	1	p. 39	1134-4155-01	30	1	p. 53			
1134-2820-06	1	1	p. 53	1134-3974-01	7	1	p. 59	1134-4156-01	1	1	p. 63			
1134-2824-01	6	10	p. 53	1134-3978-01	3	1	p. 39	1134-4159-01	20	1	p. 51			
1134-2837-02	28	1	p. 53	1134-3979-01	22	1	p. 39	1134-4160-01	18	2	p. 51			
1134-2858-01	47	1	p. 59	1134-3981-03	37	1	p. 63	1134-4162-01	27	1	p. 55			
1134-2859-01	46	1	p. 59	1134-3984-01	18	1	p. 39	1134-4163-01	38	1	p. 55			
1134-2871-01	51	1	p. 63	1134-3985-01	36	1	p. 39	1134-4164-01	24	1	p. 55			
1134-2871-03	34	2	p. 63	1134-3986-01	27	1	p. 63	1134-4167-01	23	1	p. 37			
1134-2872-02	45	1	p. 63	1134-3990-01	29	1	p. 51	1134-4170-01	29	1	p. 55			
1134-2878-01	2	1	p. 43	1134-3994-01	17	1	p. 57	1134-4171-01	8	1	p. 57			
1134-2888-02	3	2	p. 41	1134-3996-01	31	1	p. 59	1134-4172-01	25	1	p. 49			
1134-2892-01	12	1	p. 49	1134-3998-01	34	1	p. 57	1134-4176-01	8	2	p. 39			
1134-2941-01	24	2	p. 43	1134-4000-01	1	1	p. 57	1134-4176-01	16	2	p. 39			
1134-2962-01	5	1	p. 49	1134-4002-01	51	1	p. 61	1134-4177-01	20	2	p. 49			
1134-2975-04	32	1	p. 43	1134-4003-01	13	1	p. 45	1134-4179-01	50	1	p. 63			
1134-3022-01	18	2	p. 53	1134-4006-01	33	1	p. 63	1134-4183-01	9	1	p. 57			
				1134-4008-01	8	1	p. 59	1134-4184-01	3	1	p. 47			

code	pos.	q.ty	page										
1134-4185-01	6	2	p. 45	1139-1119-01	19	1	p. 13	1139-1230-01	1	1	p. 17		
1134-4187-01	32	1	p. 59	1139-1124-01	20	1	p. 13	1139-1231-01	2	2	p. 15		
1134-4190-01	26	1	p. 57	1139-1127-01	14	1	p. 25	1139-1277-01	16	2	p. 13		
1134-4191-01	25	1	p. 57	1139-1139-01	1	1	p. 19	1139-1278-01	8	1	p. 25		
1134-4195-01	15	1	p. 63	1139-1139-01	3	1	p. 21	1139-1278-01	13	1	p. 33		
1134-4208-01	40	1	p. 49	1139-1144-01	1	1	p. 35	1139-1280-01	12	1	p. 23		
1134-4213-01	23	1	p. 51	1139-1145-01	6	1	p. 23	1139-1285-01	11	1	p. 33		
1134-4216-01	17	1	p. 39	1139-1146-01	15	1	p. 19	1139-1287-01	13	1	p. 21		
1134-4217-01	21	1	p. 63	1139-1147-01	19	1	p. 15	1139-1289-01	11	2	p. 35		
1134-4218-01	31	1	p. 53	1139-1155-01	3	2	p. 31	1139-1290-01	3	1	p. 17		
1134-4220-02	14	1	p. 39	1139-1156-01	4	2	p. 31	1139-1292-01	21	2	p. 13		
1134-4222-01	1	1	p. 43	1139-1158-01	18	1	p. 15	1139-1293-01	20	3	p. 15		
1134-4224-01	2	1	p. 51	1139-1160-01	8	1	p. 21	4231-0013-00	20	1	p. 47		
1134-4231-01	33	1	p. 55	1139-1161-01	11	1	p. 23	4231-0013-00	32	1	p. 55		
1134-4232-01	33	1	p. 57	1139-1165-01	1	1	p. 25	8211-0209-08	31	1	p. 45		
1134-4242-01	12	2	p. 63	1139-1169-01	3	1	p. 13	8211-0276-02	31	1	p. 45		
1134-4243-01	19	1	p. 43	1139-1170-01	1	1	p. 21	8211-0277-02	31	1	p. 45		
1134-4247-01	1	1	p. 59	1139-1171-01	7	1	p. 13	8211-0278-02	31	1	p. 45		
1134-4249-01	0	1	p. 45	1139-1172-01	9	1	p. 13	8211-2002-03	31	1	p. 45		
1134-4266-01	40	1	p. 49	1139-1173-01	1	1	p. 15	8290-9014-01	2	1	p. 51		
1134-4267-01	23	1	p. 49	1139-1174-01	4	1	p. 15	9400-0064-02	13	1	p. 49		
1134-4268-01	29	1	p. 49	1139-1175-01	10	1	p. 15	9400-0231-00	33	2	p. 49		
1134-4273-01	23	2	p. 43	1139-1177-01	16	1	p. 15	9400-0244-00	337	2	p. 5		
1134-4338-01	45	1	p. 63	1139-1179-01	14	1	p. 13	9400-0280-02	48	1	p. 63		
1134-4356-01	27	1	p. 43	1139-1180-01	15	1	p. 13	9400-0280-03	49	1	p. 63		
1134-4360-01	21	1	p. 39	1139-1181-01	6	1	p. 19	9400-0282-01	47	2	p. 63		
1134-4411-01	42	1	p. 43	1139-1182-01	9	1	p. 21	9400-0285-01	23	1	p. 63		
1134-4481-01	23	2	p. 45	1139-1183-01	11	1	p. 21	9400-0290-01	99	1	p. 65		
1134-4481-01	40	1	p. 43	1139-1186-01	2	1	p. 17	9400-0293-01	25	1	p. 49		
1134-4487-01	25	1	p. 63	1139-1187-01	2	1	p. 23	9404-0020-00	17	1	p. 43		
1134-4574-01	18	1	p. 45	1139-1188-01	9	1	p. 23	9404-0025-01	41	1	p. 43		
1134-4577-01	19	1	p. 45	1139-1189-01	10	1	p. 23	9404-0027-01	7	1	p. 47		
1134-4593-04	99	1	p. 39	1139-1190-01	11	1	p. 25	9500-9991-00	16	1	p. 63		
1134-4595-01	44	2	p. 43	1139-1191-01	2	1	p. 25	9501-0500-00	6	1	p. 37		
1134-4688-02	17	1	p. 45	1139-1192-01	1	1	p. 29	9501-0500-00	10	2	p. 37		
1134-4713-01	52	1	p. 57	1139-1193-01	2	2	p. 29	9501-0502-00	7	1	p. 37		
1134-4734-01	10	2	p. 45	1139-1194-01	6	2	p. 31	9545-0124-01	5	2	p. 41		
1134-4736-01	15	1	p. 43	1139-1195-01	3	1	p. 33	9545-0124-01	11	2	p. 41		
1134-4749-01	44	1	p. 63	1139-1196-01	4	1	p. 33	9545-0203-00	99	1	p. 41		
1134-4757-02	22	1	p. 43	1139-1197-01	9	1	p. 33	9545-0500-00	6	2	p. 41		
1134-4758-01	34	1	p. 57	1139-1198-01	5	1	p. 33	9545-0500-00	12	2	p. 41		
1134-4760-01	4	1	p. 59	1139-1199-01	10	1	p. 33	9547-0001-00	9	2	p. 37		
1134-9024-01	2	1	p. 59	1139-1200-01	8	1	p. 33	9549-0017-00	25	2	p. 53		
1134-9027-01	19	1	p. 55	1139-1201-01	1	1	p. 27	9549-0019-00	3	2	p. 55		
1134-9029-01	5	1	p. 57	1139-1202-01	4	2	p. 27	9549-0052-00	4	2	p. 41		
1134-9071-01	20	1	p. 55	1139-1203-01	5	2	p. 27	9549-0052-00	4	2	p. 41		
1139-0244-01	12	1	p. 35	1139-1207-01	3	1	p. 29	9549-0054-01	4	2	p. 41		
1139-0244-01	22	12	p. 13	1139-1208-01	6	1	p. 27	9549-0054-01	4	2	p. 41		
1139-1005-01	2	1	p. 21	1139-1210-01	4	1	p. 29	9570-0001-00	17	2	p. 59		
1139-1006-01	8	5	p. 13	1139-1211-01	2	1	p. 13	9578-0011-00	8	1	p. 43		
1139-1021-01	7	2	p. 19	1139-1212-01	6	1	p. 13	9578-0023-02	33	1	p. 43		
1139-1021-01	10	1	p. 21	1139-1213-01	2	1	p. 35	9578-0023-02	49	1	p. 43		
1139-1022-01	1	2	p. 23	1139-1215-01	12	1	p. 21	9578-0025-01	39	2	p. 57		
1139-1024-01	5	1	p. 23	1139-1216-01	12	1	p. 21	9578-0026-01	45	2	p. 43		
1139-1026-01	7	1	p. 23	1139-1217-01	3	1	p. 35	9579-0003-00	32	15	p. 49		
1139-1028-01	8	1	p. 23	1139-1218-01	4	1	p. 35	9579-0003-00	34	1	p. 43		
1139-1044-01	5	2	p. 31	1139-1219-01	5	1	p. 35	9579-0003-00	40	1	p. 57		
1139-1057-01	10	1	p. 13	1139-1220-01	6	1	p. 35	9595-0258-00	2	2	p. 41		
1139-1102-01	12	1	p. 25	1139-1221-01	7	1	p. 35	9595-0258-00	30	1	p. 59		
1139-1104-01	17	1	p. 13	1139-1222-01	8	1	p. 35	9595-0262-00	4	1	p. 37		
1139-1110-01	8	1	p. 19	1139-1223-01	9	4	p. 35	9595-0262-00	4	1	p. 45		
1139-1114-01	12	1	p. 33	1139-1224-01	10	1	p. 35	9595-0276-01	9	1	p. 47		
1139-1115-01	13	2	p. 25	1139-1225-01	1	1	p. 31	9598-0003-02	16	2	p. 41		
1139-1116-01	18	2	p. 13	1139-1226-01	2	1	p. 31	9599-0080-02	8	2	p. 41		
1139-1117-01	13	2	p. 23	1139-1227-01	1	1	p. 33	9600-0250-00	20	1	p. 43		
1139-1117-01	17	1	p. 15	1139-1228-01	2	1	p. 33	9632-0522-00	35	2	p. 51		
				1139-1229-01	13	2	p. 13	9632-0522-00	41	1	p. 49		

code	pos.	q.ty	page									
9650-0039-04	8	1	p. 47	9747-0631-02	10	2	p. 39	9950-0570-12	24	2	p. 39	
9651-0040-04	4	2	p. 55	9747-0631-02	11	1	p. 47	9959-0612-16	2	2	p. 49	
9665-0002-00	12	2	p. 51	9747-0631-02	11	1	p. 57	9959-0612-16	25	4	p. 43	
9675-0008-02	4	7	p. 39	9747-0631-02	19	2	p. 47	9959-0612-16	46	2	p. 55	
9675-0008-02	7	1	p. 57	9747-0631-02	26	4	p. 43	9959-0816-16	5	2	p. 59	
9675-0008-02	28	1	p. 55	9747-0631-02	31	1	p. 55	9959-0816-16	14	1	p. 59	
9675-0009-02	56	1	p. 57	9747-0831-02	6	6	p. 51	9959-0816-16	17	4	p. 51	
9675-0012-02	45	2	p. 59	9747-0831-02	9	2	p. 53	9959-0816-16	34	2	p. 39	
9694-0001-00	13	1	p. 63	9747-0831-02	13	2	p. 51	9959-0816-16	42	2	p. 59	
9695-0011-00	29	1	p. 53	9747-0831-02	14	1	p. 47	9959-0816-16	54	1	p. 57	
9699-0025-02	9	2	p. 39	9747-0831-02	14	2	p. 41	9959-0816-16	55	2	p. 61	
9699-0025-02	30	1	p. 55	9747-0831-02	15	1	p. 57	9959-0820-16	7	2	p. 45	
9699-0025-02	56	1	p. 65	9747-0831-02	20	4	p. 57	9959-0820-16	8	2	p. 63	
9699-0028-02	46	2	p. 63	9747-0831-02	21	2	p. 45	9959-0820-16	10	1	p. 43	
9699-0030-02	27	1	p. 57	9747-0831-02	24	2	p. 57	9959-0820-16	11	2	p. 59	
9699-0035-02	12	4	p. 53	9747-0831-02	26	1	p. 55	9959-0820-16	13	4	p. 43	
9699-0035-02	13	1	p. 37	9747-0831-02	28	1	p. 43	9959-0820-16	14	2	p. 45	
9699-0042-02	9	2	p. 41	9747-0831-02	53	2	p. 61	9959-0820-16	21	2	p. 37	
9699-0056-02	13	4	p. 39	9747-1031-02	28	1	p. 57	9959-0820-16	23	2	p. 57	
9699-0056-02	14	1	p. 57	9747-1031-02	39	1	p. 55	9959-0820-16	24	2	p. 59	
9699-0056-02	21	1	p. 51	9794-5131-02	7	2	p. 49	9959-0820-16	30	1	p. 57	
9699-0056-02	36	1	p. 55	9795-3531-02	24	1	p. 49	9959-1020-16	14	1	p. 37	
9699-0056-02	39	1	p. 59	9799-1031-02	4	1	p. 57	9959-1025-16	15	1	p. 37	
9699-0062-02	9	2	p. 45	9799-1031-02	22	1	p. 55	9987-5357-12	21	1	p. 43	
9699-0062-02	12	2	p. 55	9836-9512-12	52	3	p. 61	9997-0512-16	3	4	p. 43	
9699-0069-02	11	2	p. 51	9837-8914-12	16	2	p. 45	9997-0520-16	16	2	p. 49	
9699-0090-02	8	2	p. 53	9840-7716-16	24	2	p. 63	9997-0520-16	21	2	p. 59	
9699-0090-02	48	1	p. 55	9840-7716-16	28	2	p. 49	9997-0520-16	35	3	p. 63	
9699-0099-02	4	4	p. 43	9840-8009-16	19	2	p. 39	9997-0620-16	18	2	p. 47	
9699-0103-02	5	1	p. 45	9840-8009-16	24	4	p. 37	9997-0640-12	10	1	p. 47	
9699-0109-02	7	1	p. 55	9840-8009-16	27	3	p. 51	9997-0825-16	20	1	p. 45	
9699-0114-02	5	1	p. 45	9840-8009-16	33	4	p. 51	9997-0835-12	22	1	p. 45	
9739-0531-22	18	4	p. 59	9849-7819-16	19	2	p. 49	9997-0840-16	5	4	p. 43	
9739-0531-22	22	2	p. 59	9849-8006-16	6	2	p. 49	9997-0840-16	33	2	p. 59	
9739-0531-22	36	3	p. 63	9849-8013-16	9	2	p. 49	9997-0845-12	13	2	p. 41	
9739-0631-22	29	2	p. 39	9849-8013-16	22	2	p. 63	9997-0850-16	38	1	p. 59	
9739-0631-22	47	2	p. 55	9893-0616-16	7	4	p. 39	9997-0855-12	35	1	p. 55	
9739-0831-22	3	2	p. 63	9893-0616-16	15	6	p. 39	9997-0865-12	14	1	p. 55	
9739-0831-22	6	2	p. 59	9893-0616-16	18	2	p. 37	9997-0870-16	13	1	p. 59	
9739-0831-22	6	4	p. 43	9893-0616-16	26	2	p. 53	9997-0875-12	13	1	p. 57	
9739-0831-22	11	1	p. 43	9893-0616-16	26	2	p. 63	9997-0875-12	19	4	p. 57	
9739-0831-22	12	2	p. 59	9893-0616-16	27	3	p. 39	9997-1030-16	19	2	p. 53	
9739-0831-22	13	1	p. 55	9893-0616-16	28	2	p. 39	9997-1030-16	21	1	p. 55	
9739-0831-22	14	1	p. 63	9893-0616-16	28	4	p. 63	9997-1050-16	13	2	p. 53	
9739-0831-22	14	4	p. 43	9893-0616-16	31	4	p. 39	9997-1070-12	43	1	p. 55	
9739-0831-22	15	2	p. 45	9893-0616-16	37	2	p. 39	19203	363	1	p. 11	
9739-0831-22	15	3	p. 59	9893-0616-16	40	4	p. 39	90576	354	1	p. 11	
9739-0831-22	22	1	p. 51	9893-0616-16	41	2	p. 55	91488	84	2	p. 3	
9739-0831-22	22	2	p. 37	9897-0820-16	2	2	p. 63	92791	353	1	p. 11	
9739-0831-22	23	4	p. 53	9897-0820-16	5	4	p. 51	93053	601	2	p. 9	
9739-0831-22	25	2	p. 59	9897-0820-16	13	1	p. 47	93722	520	1	p. 11	
9739-0831-22	31	1	p. 57	9897-0820-16	22	4	p. 53	94004	310	2	p. 11	
9739-0831-22	31	2	p. 51	9897-0820-16	25	1	p. 55	94288	896	1	p. 11	
9739-0831-22	35	2	p. 39	9897-0820-16	30	2	p. 51	221535	265	2	p. 7	
9739-0831-22	35	2	p. 59	9897-0880-12	4	2	p. 51	223167	527	1	p. 7	
9739-0831-22	37	1	p. 55	9897-1040-12	14	2	p. 53	270920	842	1	p. 5	
9739-0831-22	40	1	p. 59	9924-1035-16	3	1	p. 57	272490	535	1	p. 7	
9739-0831-22	43	2	p. 59	9939-0816-16	15	4	p. 51	280104	783	1	p. 11	
9739-0831-22	55	1	p. 57	9942-0612-16	32	1	p. 63	280470	729	1	p. 11	
9739-0831-22	56	2	p. 61	9943-0516-16	17	1	p. 63	393295	474	1	p. 11	
9739-1031-22	15	4	p. 53	9945-0816-16	12	6	p. 39	393815	187	1	p. 7	
9739-1031-22	20	2	p. 53	9945-0816-16	17	2	p. 55	394018	445	1	p. 7	
9739-1031-22	44	1	p. 55	9945-0816-16	20	2	p. 37	394856	801	1	p. 11	
9747-0531-02	17	2	p. 49	9945-0816-16	37	2	p. 57	394890	501	1	p. 11	
9747-0531-02	25	2	p. 39	9946-0525-16	20	2	p. 39	398003	513	1	p. 11	
9747-0631-02	3	2	p. 49	9946-0525-16	23	5	p. 39	398525	985	1	p. 11	
				9946-0525-16	38	4	p. 63	490309	544	1	p. 11	

code	pos.	q.ty	page									
490311	311	2	p. 11	805354	45	4	p. 3	807610	222	1	p. 7	
491055	337	2	p. 5	805360	53	2	p. 7	807611	525	1	p. 5	
491875	467	1	p. 7	805362	11	1	p. 3	807619	25	2	p. 3	
491922	387	1	p. 7	805379	9	1	p. 3	807620	26	2	p. 3	
492341	333	1	p. 11	805381	562	1	p. 7	807621	28	2	p. 3	
492932	1027	1	p. 5	805383	592	1	p. 9	807622	29	2	p. 3	
493629	240	1	p. 7	805395	32	4	p. 3	807623	192	2	p. 3	
493792	356	1	p. 11	805402	668	1	p. 11	807638	18	1	p. 3	
493880	851	1	p. 11	805406	305	1	p. 7	807663	573	1	p. 5	
494205	803	1	p. 11	805406	305	12	p. 5	807685	788	1	p. 9	
494439	324	1	p. 11	805407	334	6	p. 11	807705	98	1	p. 7	
494988	802	1	p. 11	805412	552	1	p. 5	807706	105	1	p. 7	
494990	309	1	p. 11	805413	552	1	p. 5	807709	131	1	p. 7	
495877	876	1	p. 11	805416	634	1	p. 5	807710	133	1	p. 7	
495878	510	1	p. 11	805417	614	1	p. 5	807711	141	1	p. 7	
805006	54	4	p. 7	805420	167	4	p. 3	807712	142	1	p. 7	
805007	75	1	p. 11	805439	216	1	p. 7	807713	254	1	p. 7	
805009	657	2	p. 5	805447	78	3	p. 11	807714	955	1	p. 9	
805011	524	1	p. 5	805448	526	2	p. 11	807715	975	1	p. 9	
805016	24	1	p. 3	805449	189	2	p. 3	807717	1037	1	p. 9	
805017	22	9	p. 3	805453	209	1	p. 7	807795	8	1	p. 3	
805018	277	1	p. 7	805461	209	1	p. 7	807797	1014	1	p. 9	
805019	171	4	p. 3	805465	232	1	p. 7	807805	726	1	p. 11	
805021	332	1	p. 11	805480	201	1	p. 7	807807	25	2	p. 3	
805023	52	2	p. 7	805483	722	1	p. 5	807808	26	2	p. 3	
805024	883	2	p. 5	805505	727	1	p. 5	807809	25	2	p. 3	
805025	307	2	p. 5	805529	635	2	p. 5	807810	26	2	p. 3	
805025	307	6	p. 7	805561	95	2	p. 7	807811	25	2	p. 3	
805030	982	2	p. 5	805562	108	1	p. 7	807812	26	2	p. 3	
805048	15	1	p. 3	805570	127	1	p. 7	807857	161	1	p. 7	
805049	20	1	p. 3	805571	127	1	p. 7	807859	862	1	p. 9	
805054	87	1	p. 3	805572	130	1	p. 7	807862	642	1	p. 9	
805057	819	1	p. 9	805574	634	1	p. 9	807899	304	1	p. 3	
805057	819	2	p. 5	805575	987	1	p. 9	807985	523	1	p. 5	
805058	116	2	p. 3	805576	634	1	p. 9	807986	7	2	p. 3	
805073	166	1	p. 3	805577	615	1	p. 9	807987	5	1	p. 3	
805083	864	2	p. 5	805578	615	1	p. 9	807988	5	1	p. 3	
805084	871	4	p. 5	805580	634	1	p. 9	807989	358	1	p. 5	
805089	33	2	p. 3	805581	1013	1	p. 9	807989	358	1	p. 7	
805090	34	2	p. 3	805586	104	1	p. 7	808096	1029	4	p. 5	
805092	40	4	p. 3	805592	955	1	p. 9	808145	271	1	p. 7	
805094	868	4	p. 5	805617	1026	2	p. 5	808255	125	1	p. 7	
805097	13	8	p. 3	805631	643	1	p. 9	808258	118	1	p. 7	
805099	27	4	p. 3	805632	1004	1	p. 9	808264	121	1	p. 7	
805100	1023	2	p. 5	805641	729	1	p. 11	810078	354	1	p. 7	
805101	3	1	p. 3	805655	537	1	p. 7					
805103	718	2	p. 5	805669	53	1	p. 7					
805107	2	1	p. 3	805675	741	1	p. 5					
805112	12	1	p. 3	805738	866	1	p. 5					
805149	51	1	p. 7	805751	10	1	p. 3					
805158	613	4	p. 5	805770	122	1	p. 7					
805161	42	4	p. 3	805772	50	1	p. 7					
805169	351	2	p. 7	805777	94	1	p. 7					
805197	572	1	p. 5	805841	879	1	p. 5					
805198	116	1	p. 3	805858	1091	1	p. 9					
805247	188	2	p. 11	805937	35	4	p. 3					
805250	978	1	p. 5	805964	243	1	p. 3					
805260	423	2	p. 5	806039	1022	2	p. 5					
805292	1028	1	p. 5	807097	308	1	p. 5					
805313	1025	1	p. 5	807098	308	1	p. 5					
805317	823	2	p. 5	807511	1	1	p. 3					
805317	823	2	p. 9	807528	227	1	p. 7					
805341	1031	4	p. 5	807531	23	1	p. 11					
805342	1030	2	p. 5	807542	46	1	p. 3					
805343	166	4	p. 3	807546	1024	1	p. 5					
805352	1026	2	p. 5	807586	16	1	p. 3					
				807596	616	1	p. 5					