



Reservdelskatalog Parts Catalogue

PARK PRO 18

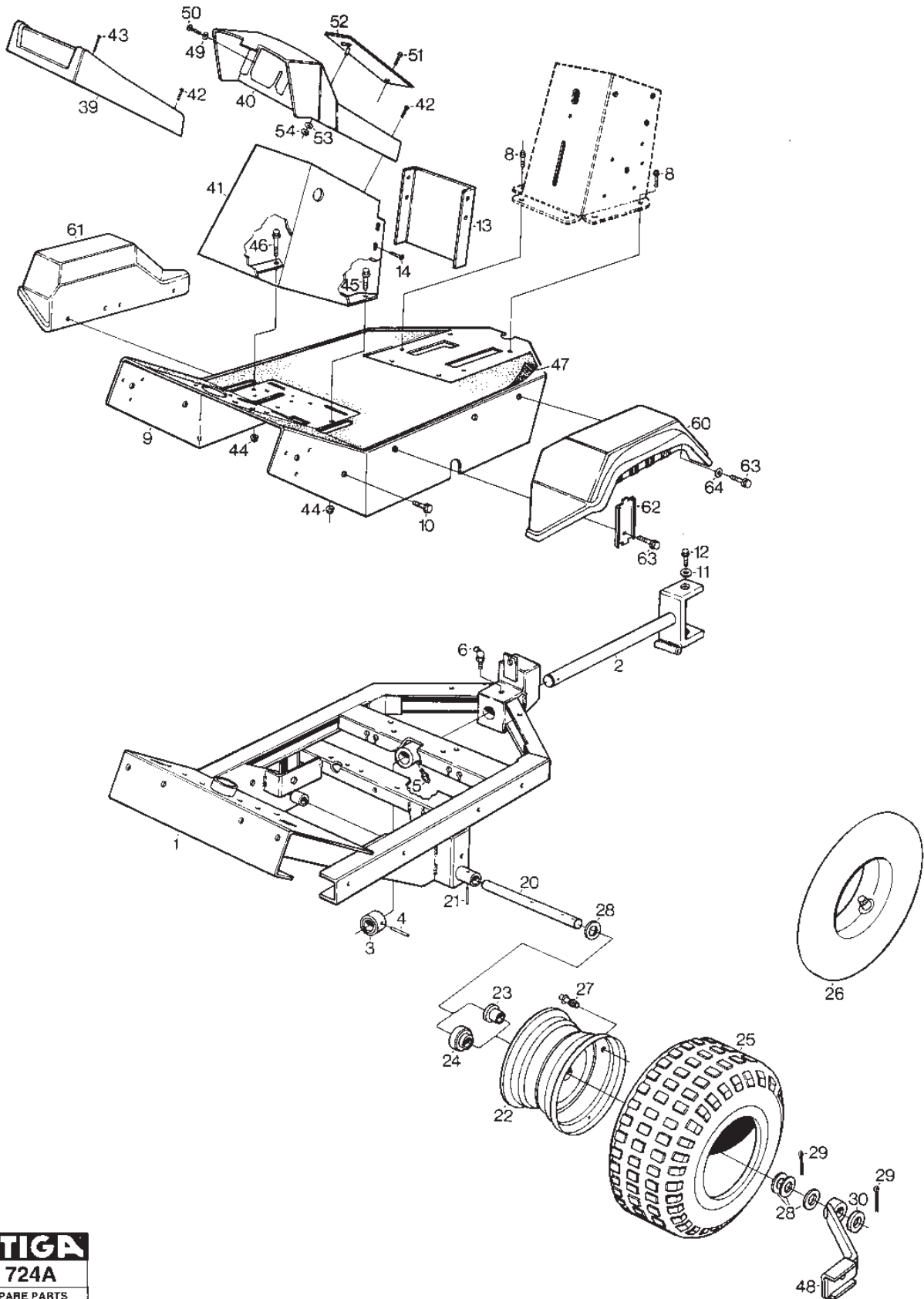
13-1818-22 - Season 1999

- Use GLOBAL GARDEN PRODUCT Genuine Spare Parts specified in the parts list for repair and/or replacement.
 - The contents described in the parts list may change due to improvement.
 - The drawings of the spare parts are only indicative and might not represent the part in question exactly.
 - The indications "right" - "left" - "front" - "rear" refer to the position of the operator when using the machine.
- When placing orders of parts for repair and/or replacement, make sure that the illustrated parts list is the one applying to the machine's year of manufacture, as shown on the identification plate attached to the machine.

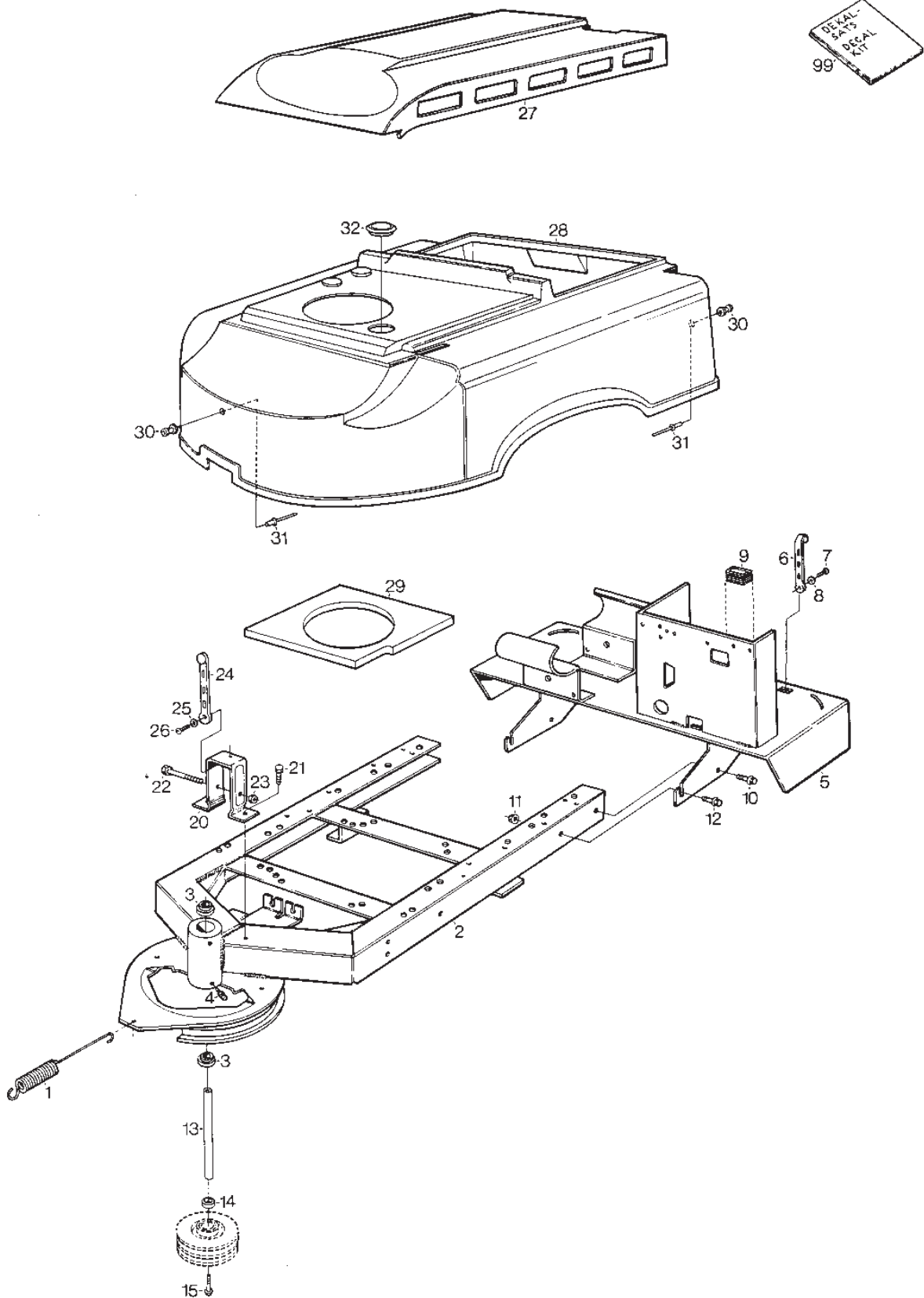
© Copyright 2014 Global Garden Products

All rights reserved. No part of this material may be reproduced or transmitted, in any form or by any means, electronic or mechanical, including photocopying, recording or by any information storage and retrieval system, without permission in writing from GLOBAL GARDEN PRODUCTS.

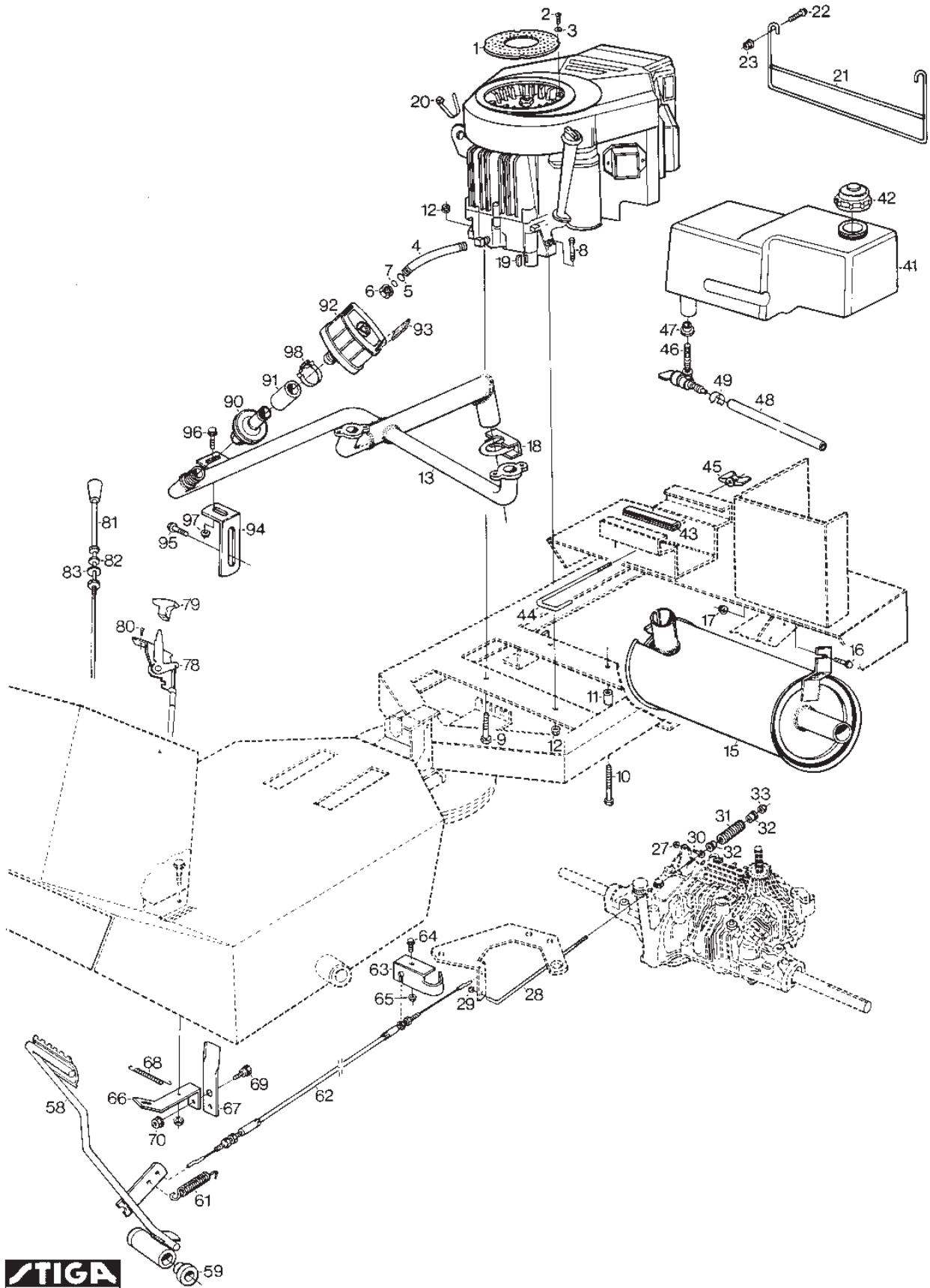
www.stiga.com



| Utgåva Issue 46 - 2014 | | Främre Ram Front Frame | | | |
|------------------------------|-------------------|---------------------------|-----------------------------|----------------------------|---------------------|
| Pos. Fig. | Antal Quantity | Art nr Part No | Benämning | Description | Anmärkning Notes |
| 1 | 1 | 1134-3411-03 | Främre ram | Front frame | |
| 2 | 1 | 1134-1757-07 | Midjegaffel M Ledaxel | Clevis | |
| 3 | 1 | 1134-0031-00 | Ledaxelstopp Ledaxelstopp | Pivot Shaft Stop | |
| 4 | 1 | 9595-0262-00 | Spännstift | Locating Pin Elastic Pin | |
| 5 | 1 | 9501-0500-00 | Smörjkopp Kort Rak | Grease Dispenser | |
| 6 | 1 | 9501-0502-00 | Smörjnippel | Grease Joint | |
| 8 | 6 | 9945-0816-16 | Skruv | Screw | |
| 9 | 1 | 1134-1192-22 | Durk Kpl | Floor Plate | |
| 10 | 4 | 9945-0816-16 | Skruv | Screw | |
| 11 | 1 | 9699-0035-02 | Bricka | Washer | |
| 12 | 1 | 9959-1020-16 | Skruv | Screw | |
| 13 | 1 | 1134-3363-01 | Lock (1-00 F12) | Cover | |
| 14 | 4 | 9849-8013-16 | Skruv | Screw | |
| 20 | 2 | 1134-0075-01 | Framaxeltapp | Front Axle | |
| 21 | 2 | 9595-0258-00 | Spännstift | Locating Pin | |
| 22 | 2 | 1134-2888-02 | Fälg M Kullager | Rim | |
| 24 | 2 | 9549-0036-00 | Kullager | Ball Bearing | |
| 25 | 2 | 9545-0116-00 | Däck | Tyre | 16 x 7.50 - 8 |
| 27 | 2 | 9545-0500-00 | Ventil | Valve Assy. | |
| 28 | 8 | 1134-0341-01 | Bricka | Washer | |
| 29 | 4 | 9599-0080-02 | SaxSprint Sp 4*28 | Cotter Pin | |
| 30 | 2 | 9699-0042-02 | Bricka | Washer | |
| 40 | 1 | 1134-3371-05 | Instrumentpanel P16/18 | Panel | |
| 41 | 1 | 1134-2833-10 | Frontdekor Kpl 1-00 02 | Front Trim Plate | |
| 42 | 2 | 9849-8013-16 | Skruv | Screw | B10 x 13 |
| 44 | 6 | 9739-0831-22 | Mutter | Nut | |
| 45 | 2 | 9959-0816-16 | Skruv | Screw | L = 16 mm |
| 46 | 4 | 9959-0820-16 | Skruv | Screw | L = 20 mm |
| 47 | 1 | 1134-3546-01 | Durkmatta Park Hst | Floor Mat | |
| 48 | 2 | 1134-3710-01 | Fäste Kpl 5-01 15 | Attachment For Accessories | |
| 49 | 2 | 9699-0099-02 | Bricka | Washer | |
| 50 | 2 | 9849-8013-16 | Skruv | Screw | B10 x 13 |
| 51 | 1 | 9849-8032-16 | Skruv | Screw | B10 x 32 |
| 52 | 1 | 1134-3758-01 | Lock 5-01 | Cover | |
| 60 | 1 | 1134-2174-01 | Framskärm Vänster | Mudguard,Lh (Yellow) | |
| 61 | 1 | 1134-2174-02 | Framskärm Höger | Mudguard,Rh (Yellow) | |
| 62 | 4 | 1134-0225-00 | Stödplat | Support Plate | |
| 63 | 6 | 9945-0816-16 | Skruv | Screw | |
| 64 | 2 | 9699-0056-02 | Bricka | Washer | |

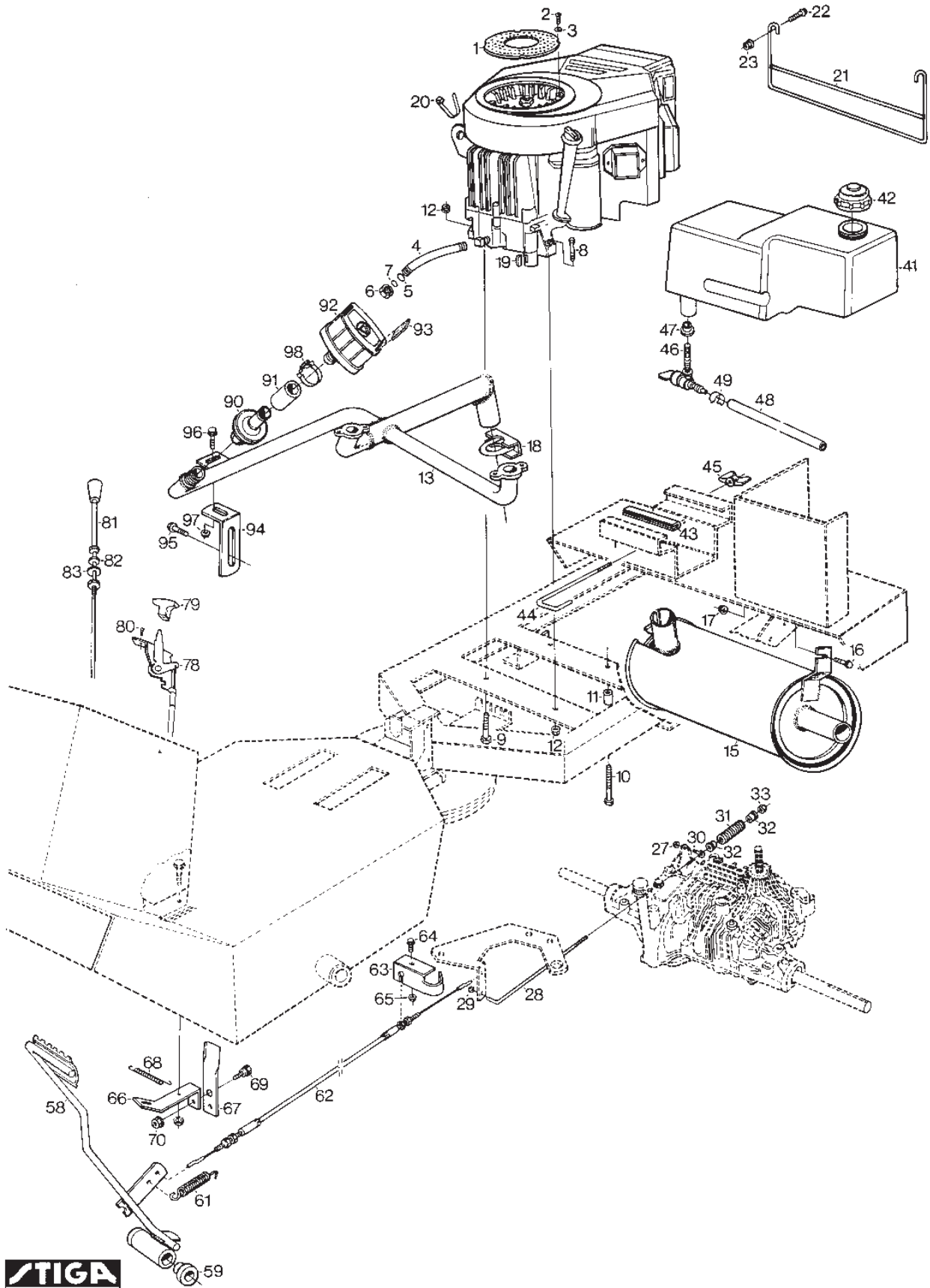


| Utgåva Issue 46 - 2014 | | Bakre Ram | Rear Frame | | |
|------------------------------|-------------------|-------------------|------------------------|----------------------|---------------------|
| Pos. Fig. | Antal Quantity | Art nr Part No | Benämning | Description | Anmärkning Notes |
| 1 | 1 | 1134-2171-01 | Fjäder | Spring | |
| 2 | 1 | 1134-3412-01 | Ram Bakre Kpl. 5-01 01 | Rear Frame | |
| 3 | 2 | 9547-0001-00 | Ledlager Ge17Es | Bearing | |
| 4 | 2 | 9501-0500-00 | Smörjkopp Kort Rak | Grease Dispenser | |
| 5 | 1 | 1134-2899-03 | Stötfangare-Bakre | Rear Bumper | |
| 6 | 1 | 1134-9028-01 | Gummistropp (3 St) | Rubber Strap (3 Pcs) | Sats 3 st/kit of 3 |
| 7 | 2 | 9849-8013-16 | Skruv | Screw | |
| 8 | 2 | 9699-0087-02 | Bricka | Washer | |
| 9 | 3 | 1134-3540-01 | Ändavslutning Ir 2030 | Plastic Plug | 1442,1443,1446,1448 |
| 10 | 2 | 9945-0816-16 | Skruv | Screw | |
| 11 | 2 | 9739-0831-22 | Mutter | Nut | |
| 12 | 2 | 9959-0820-16 | Skruv | Screw | |
| 13 | 1 | 1134-0057-00 | Centrumaxel | Centre Shaft | |
| 14 | 1 | 1134-0052-00 | Distans | Spacer | |
| 15 | 1 | 9959-1025-16 | Skruv | Screw | |
| 20 | 1 | 1134-2951-01 | Huvstöd Par | Engine Cover Support | |
| 21 | 2 | 9942-0612-16 | Skruv | Screw | |
| 22 | 1 | 9997-0670-12 | Skruv | Screw | |
| 23 | 1 | 9747-0631-02 | Mutter Lasmutter | Nut | |
| 24 | 1 | 1134-9028-01 | Gummistropp (3 St) | Rubber Strap (3 Pcs) | Sats 3 st/kit of 3 |
| 25 | 1 | 9699-0087-02 | Bricka | Washer | |
| 26 | 1 | 9849-8013-16 | Skruv | Screw | |
| 27 | 1 | 1134-2215-01 | Motorlucka | Engine Cover (Black) | |
| 28 | 1 | 1134-3215-01 | Motorhuv 1-00 | Engine Hood | |
| 29 | 1 | 1134-2053-04 | Ljudisoleringsmatta | Foam Pad | H = 5 mm |
| 30 | 3 | 9405-0029-00 | Knopp | Knob | |
| 31 | 3 | 9632-0516-00 | Popnit 9.5 | Pop Rivet | |
| 32 | 1 | 1134-2944-01 | Plugg | Plug | |
| 99 | 1 | 1134-3924-01 | Dekalsats | Label Kit | |



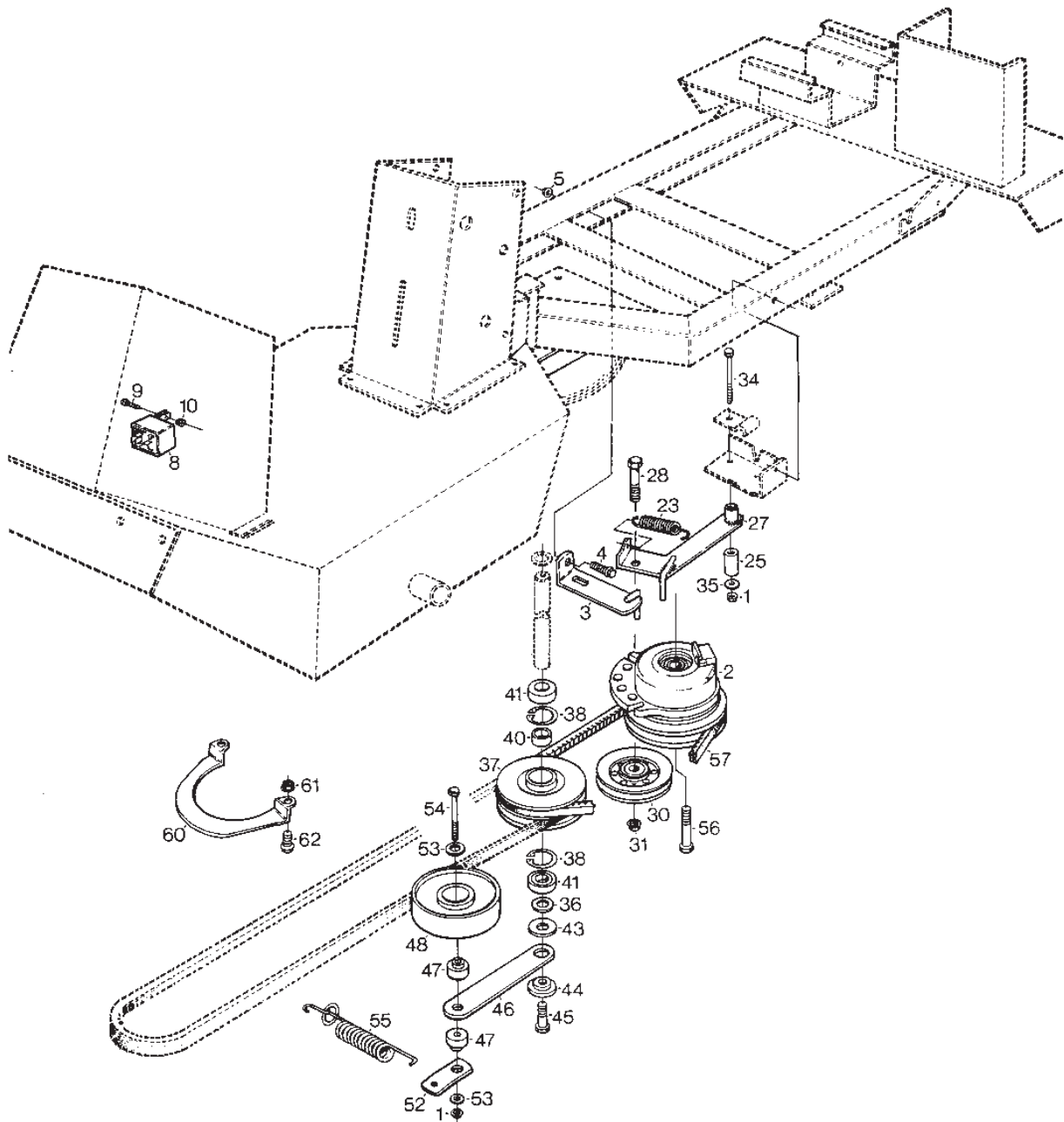
STIGA
914A
SPARE PARTS

| Utgåva Issue 46 - 2014 | | Motor (Med Katalysator) Broms | | Engine (W. Catalytic Conv.) Brake | |
|------------------------------|-------------------|-------------------------------|-------------------------------------------|-----------------------------------|---------------------|
| Pos. Fig. | Antal Quantity | Art nr Part No | Benämning | Description | Anmärkning Notes |
| 1 | 1 | 1134-2878-01 | Fläktskydd | Fan Cover | |
| 2 | 4 | 9997-0512-16 | Skruv | Screw | |
| 3 | 4 | 9699-0099-02 | Bricka | Washer | |
| 4 | 1 | 1134-3355-01 | Oljeavtappningsrör Kpl. | Oil Drain Pipe | |
| 5 | 1 | 1134-0997-01 | Packning | Gasket | |
| 6 | 1 | 1134-0995-01 | Plugg | Plug | |
| 7 | 1 | 9404-0020-00 | O-Ring 11,3 X 2,4 | O-ring | |
| 8 | 1 | 9997-0840-16 | Skruv | Screw | L = 40 mm |
| 9 | 2 | 9997-0840-16 | Skruv | Screw | L = 40 mm |
| 10 | 1 | 9997-0870-16 | Skruv | Screw | L = 70 mm |
| 11 | 1 | 1134-0041-02 | Bussning | Bushing | |
| 12 | 4 | 9739-0831-22 | Mutter | Nut | |
| 13 | 1 | 1134-3857-01 | Avgasrör Kpl. | Exhaust Pipe | |
| 15 | 1 | 1134-3864-01 | Ljuddämpare, Cat | Muffler Catalytic Conv. | |
| 16 | 1 | 9959-0816-16 | Skruv | Screw | |
| 17 | 1 | 9739-0831-22 | Mutter | Nut | |
| 18 | 1 | 9578-0011-00 | Klämma F Ljuddämp D35 Rid | Clamp | |
| 19 | 1 | 9600-0251-00 | Kil | Key | |
| 20 | 1 | 9579-0003-00 | Buntband | Cable Holder | |
| 21 | 1 | 1134-3868-01 | Beröringsskydd Kpl. | Heat Guard | |
| 22 | 2 | 9959-0820-16 | Skruv | Screw | |
| 23 | 2 | 9739-0831-22 | Mutter | Nut | |
| 27 | 1 | 9747-0631-02 | Mutter Lasmutter | Nut | |
| 28 | 1 | 1134-3377-01 | Reglagestang | Control Rod | |
| 29 | 1 | 9675-0008-02 | Starlockbricka | Starlock | |
| 30 | 1 | 1134-1889-01 | Skruvögla | Eye Bolt | |
| 31 | 1 | 1134-1023-00 | Fjäder | Brake Spring | |
| 32 | 2 | 1134-3456-01 | Bussning | Bushing | |
| 33 | 1 | 9747-0631-02 | Mutter Lasmutter | Nut | |
| 41 | 1 | 1134-3593-01 | Bränsletank | Fuel Tank | |
| 42 | 1 | 1134-2877-02 | Tanklock | Fuel Tank Cap | |
| 43 | 2 | 1134-2941-01 | Kantskyddslist S | Protection Strip | |
| 44 | 1 | 1134-3895-01 | Dragstang | Pull Rod | |
| 45 | 1 | 1134-3259-01 | Vingmutter | Wing Nut | |
| 46 | 1 | 1134-3224-01 | Bensinkran | Fuel Shut-Off Valve | |
| 47 | 1 | 1134-3225-01 | Gummibussning Gummibussning | Grommet | |
| 48 | 1 | 1134-2975-04 | Bränsleslang | Fuel Line | L = 710 mm |
| 49 | 2 | 9578-0023-02 | Slangklämma D12*8 (Svart) Rörklammer | Hose Clamp Tube Clamp | |
| 58 | 1 | 1134-3450-02 | Pedal Smst Vä | Pedal | Vä sida/L.H. side |
| 59 | 1 | 1134-9024-01 | Lager (4 St) | Bearing | Sats 4 st/kit of 4 |
| 61 | 1 | 1134-3974-01 | Fjäder | Spring | |
| 62 | 1 | 1134-3584-01 | Wire | Wire | |
| 63 | 1 | 1134-3387-01 | Fäste 24 | Attachment | |
| 64 | 1 | 9959-0816-16 | Skruv | Screw | |
| 65 | 1 | 9739-0831-22 | Mutter | Nut | |
| 66 | 1 | 1134-1184-02 | Stag F Parkeringsbroms | Stay | |
| 67 | 1 | 1134-2151-02 | Spärr | Stop | |
| 68 | 1 | 1131-1497-01 | Fjäder | Brake Spring | |

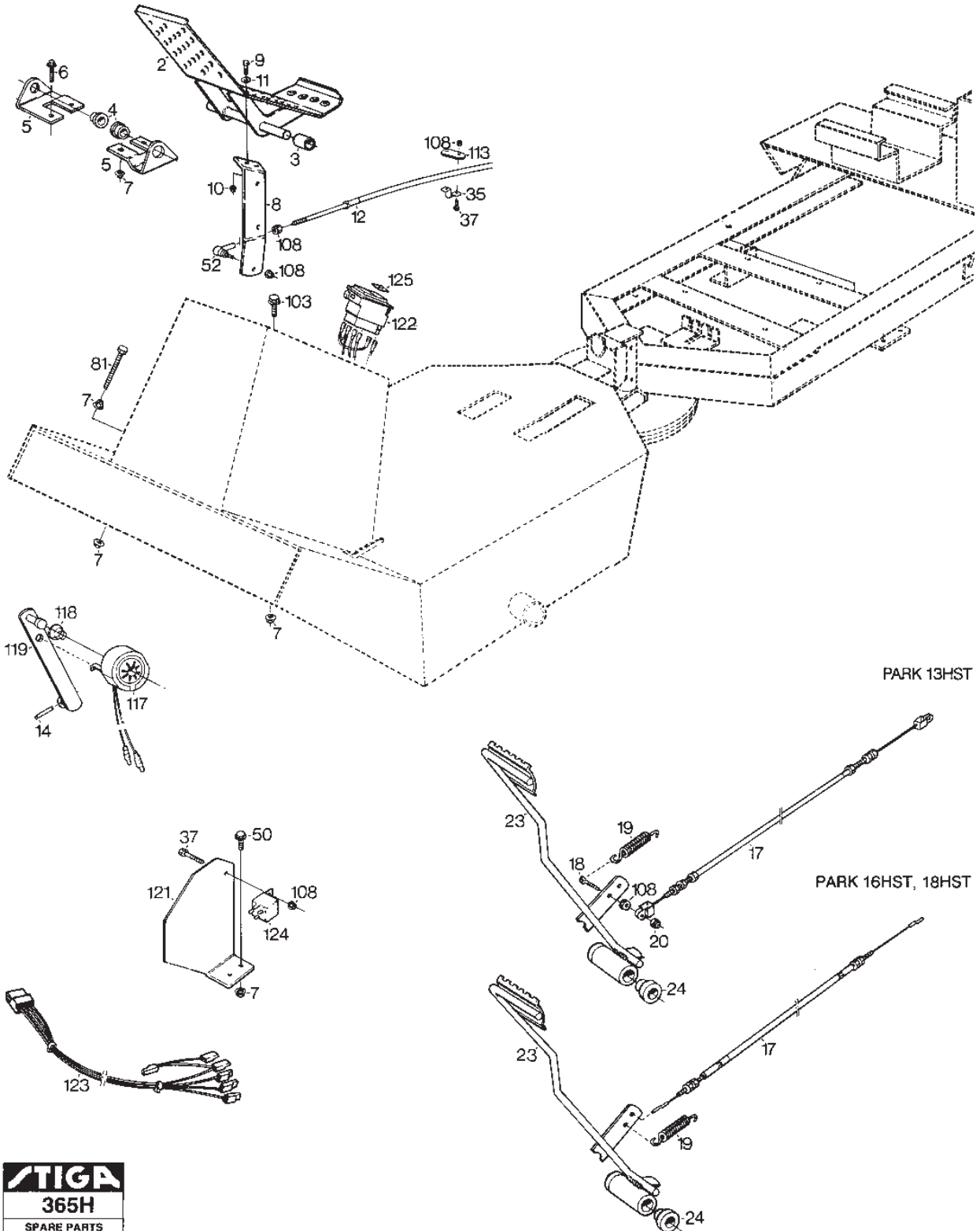


STIGA
914A
SPARE PARTS

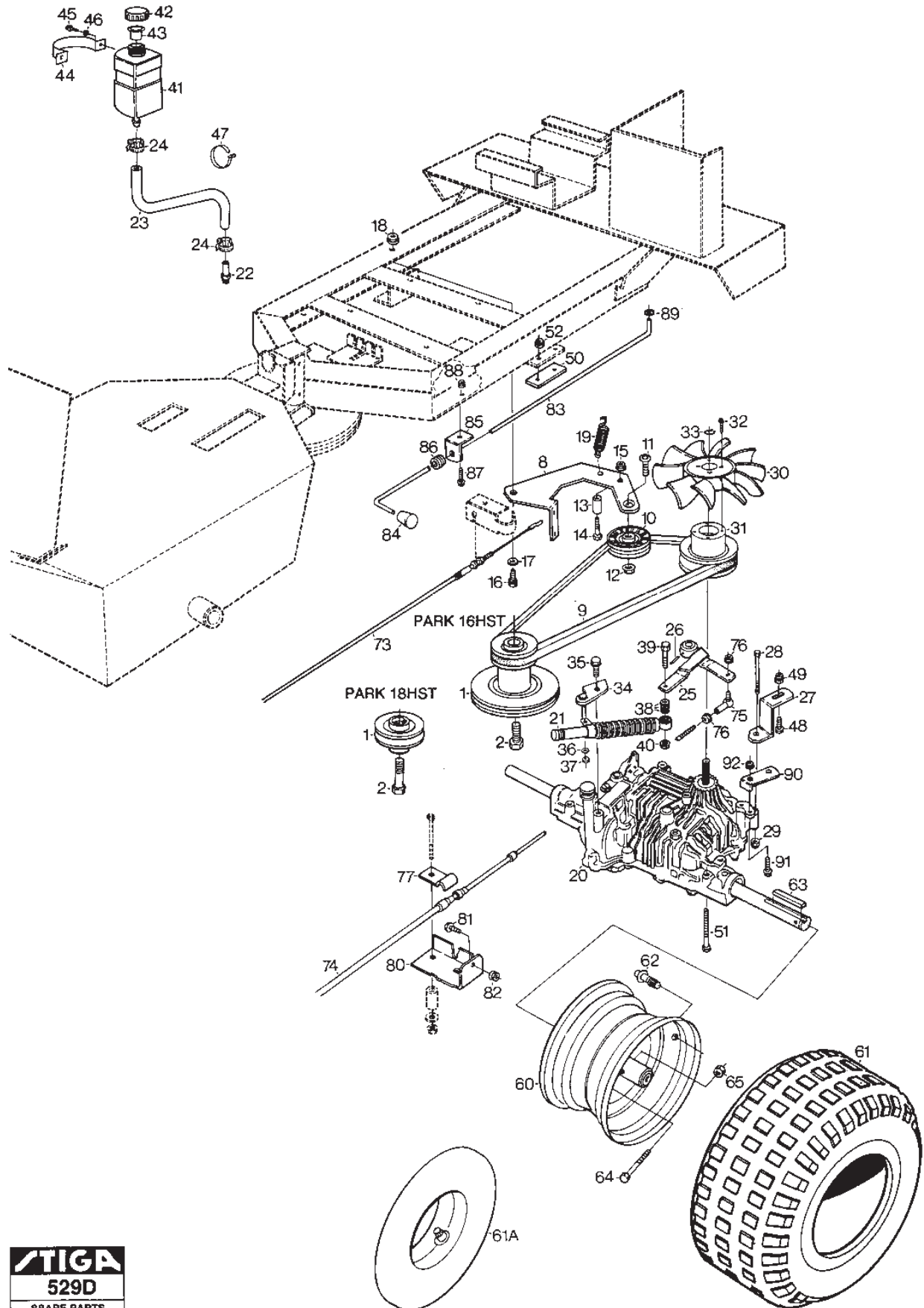
| Utgåva Issue 46 - 2014 | | Motor (Med Katalysator) Broms | | Engine (W. Catalytic Conv.) Brake | |
|------------------------------|-------------------|-------------------------------|---------------------------|-----------------------------------|---------------------|
| Pos. Fig. | Antal Quantity | Art nr Part No | Benämning | Description | Anmärkning Notes |
| 69 | 1 | 1134-0245-00 | Skruv | Screw | |
| 70 | 1 | 9739-0831-22 | Mutter | Nut | |
| 78 | 1 | 1134-1975-12 | Gasreglage | Throttle Cable | |
| 79 | 1 | 9403-0035-10 | Knopp | Knob | |
| 80 | 2 | 9849-8013-16 | Skruv | Screw | |
| 81 | 1 | 1134-2872-01 | Chokereglage Kpl. | Choke Control | |
| 82 | 1 | 9699-0028-02 | Bricka | Washer | 8.4 x 16 x 1.5 mm |
| 83 | 1 | 9699-0062-02 | Bricka | Washer | 8.4 x 22 x 1.5 mm |
| 90 | 1 | 1134-3863-01 | Puls-Airventil | Air Valve | |
| 91 | 1 | 1134-3856-01 | Slang | Hose | |
| 92 | 1 | 1134-3855-01 | Filter | Filter | |
| 93 | 1 | 1134-3889-01 | Tätning | Seal | |
| 94 | 1 | 1134-3860-01 | Fäste | Bracket | |
| 95 | 2 | 9945-0816-16 | Skruv | Screw | |
| 96 | 1 | 9959-0816-16 | Skruv | Screw | |
| 97 | 1 | 9739-0831-22 | Mutter | Nut | |
| 98 | 1 | 9578-0023-03 | Slangklämma D27*8 (Svart) | Hose Clamp | |



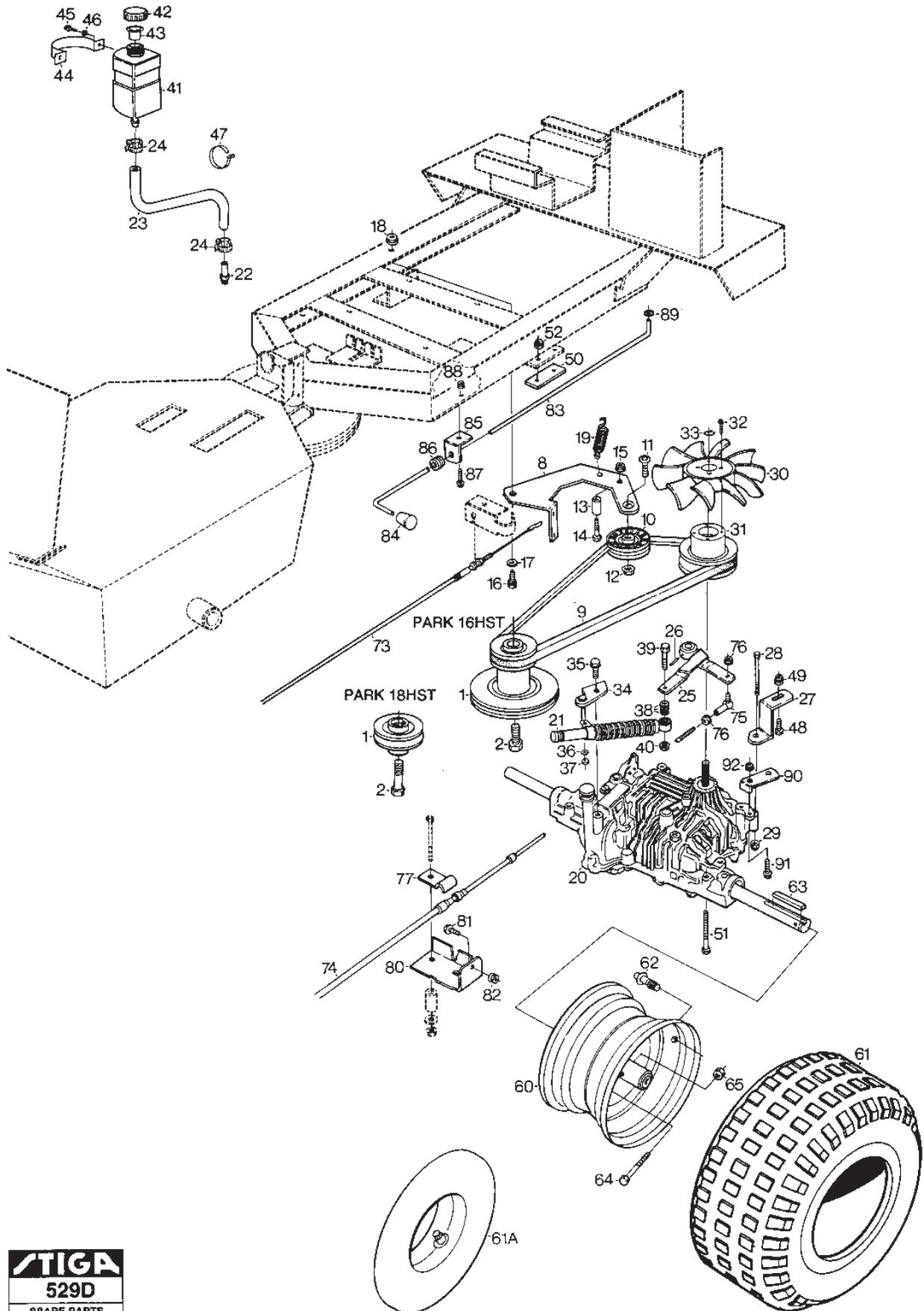
| Utgåva Issue 46 - 2014 | | Power Take-Off | | | |
|------------------------------|-------------------|-------------------|---------------------|-------------------------|---------------------|
| Pos. Fig. | Antal Quantity | Art nr Part No | Benämning | Description | Anmärkning Notes |
| 1 | 2 | 9739-0831-22 | Mutter | Nut | |
| 2 | 1 | 1134-3638-01 | Magnetkoppling | Electric Pto-Clutch | |
| 3 | 1 | 1134-3712-01 | Stödstag | Support Stay | |
| 4 | 2 | 9959-0820-16 | Skruv | Screw | |
| 5 | 2 | 9739-0831-22 | Mutter | Nut | |
| 8 | 1 | 1134-2871-03 | Relä | Relay | |
| 9 | 1 | 9997-0520-16 | Skruv | Screw | |
| 10 | 1 | 9739-0531-22 | Mutter | Nut | |
| 23 | 1 | 1134-3379-01 | Fjäder | Spring | |
| 25 | 1 | 1134-1565-01 | Distans | Spacer | |
| 27 | 1 | 1134-3658-01 | Spännarm | Tensioning Arm | |
| 28 | 1 | 9997-1040-12 | Skruv | Screw | |
| 30 | 1 | 1134-3663-01 | Remskiva | Tension Wheel | |
| 31 | 1 | 9739-1031-22 | Mutter | Nut | |
| 34 | 1 | 9997-0850-16 | Skruv | Screw | |
| 35 | 1 | 9699-0056-02 | Bricka | Washer | |
| 36 | 1 | 1134-0052-00 | Distans | Spacer | |
| 37 | 1 | 1134-1769-02 | Remskiva | Belt Pulley | |
| 38 | 2 | 9651-0040-04 | Sparring Sgh 40 | Circlip | |
| 40 | 1 | 1134-0051-09 | Distans | Spacer | |
| 41 | 2 | 9549-0019-00 | Kullager | Ball Bearing | |
| 43 | 1 | 9699-0109-02 | Bricka | Washer | |
| 44 | 1 | 1134-0222-00 | Bricka | Washer | |
| 45 | 1 | 9959-1025-16 | Skruv | Screw | |
| 46 | 1 | 1134-1730-01 | Spännhjul sarm | Tensioning Wheel Arm | |
| 47 | 2 | 1134-1888-01 | Distans | Spacer | |
| 48 | 1 | 1134-1770-01 | Spännhjul Kpl | Tension Roller | |
| 52 | 1 | 1134-1893-01 | Fjäder | Spring | |
| 53 | 2 | 9699-0062-02 | Bricka | Washer | |
| 54 | 1 | 9997-0865-12 | Skruv | Screw | |
| 55 | 1 | 1134-1322-01 | Fjäder | Tensioning Wheel Spring | |
| 56 | 1 | 9987-5357-12 | Skruv | Screw | |
| 57 | 1 | 1134-9047-01 | Kilrem | V-Belt | = 9585-0088-00 |
| 60 | 1 | 1134-3654-01 | Fingerskydd 5-01 24 | Guard | |
| 61 | 2 | 9739-0631-22 | Mutter | Nut | |
| 62 | 2 | 9959-0612-16 | Skruv | Screw | |



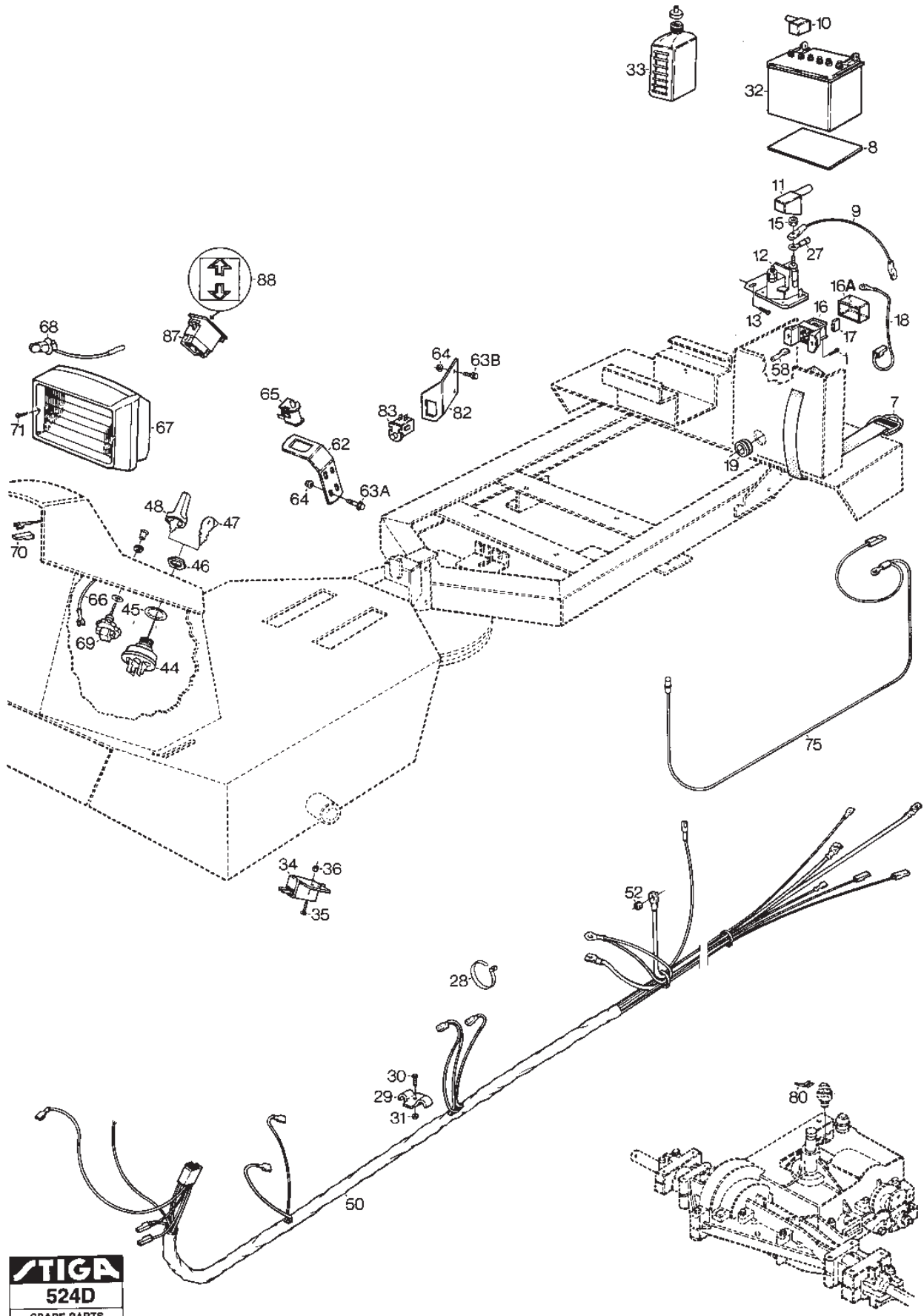
| Utgåva Issue 46 - 2014 | | Farthållare Drivpedal | | Cruise Control Drive Pedal | |
|------------------------------|-------------------|-----------------------|-----------------------------------|----------------------------|---------------------|
| Pos. Fig. | Antal Quantity | Art nr Part No | Benämning | Description | Anmärkning Notes |
| 2 | 1 | 1134-3706-01 | Pedal | Pedal | |
| 3 | 1 | 1134-2849-01 | Slang | Rubber Hose (30 Mm) | L = 30 mm |
| 4 | 2 | 1134-2780-01 | Lager | Bearing | |
| 5 | 2 | 1134-2700-01 | Fäste | Bracket | |
| 6 | 2 | 9959-0820-16 | Skruv | Screw | |
| 7 | 7 | 9739-0831-22 | Mutter | Nut | |
| 8 | 1 | 1134-3704-01 | Konsol 5-01 24 | 1134-3997-01+1134-4010-01 | |
| 9 | 2 | 9997-0520-16 | Skruv | Screw | |
| 10 | 2 | 9739-0531-22 | Mutter | Nut | |
| 11 | 2 | 9699-0087-02 | Bricka | Washer | |
| 12 | 1 | 1134-2766-02 | Fartreglagewire | Speed Control Wire | |
| 14 | 1 | 9595-0235-00 | Spännstift | Pin | |
| 17 | 1 | 1134-3584-01 | Wire | Wire | |
| 19 | 1 | 1131-1506-00 | Fjäder | Spring | |
| 19 | 1 | 1134-3974-01 | Fjäder | Spring | |
| 23 | 1 | 1134-3450-02 | Pedal Smst Vä | Pedal | |
| 24 | 1 | 1134-9024-01 | Lager (4 St) | Bearing | Sats 4 st/kit of 4 |
| 35 | 1 | 1134-0266-00 | Plat Fästbygel | Plate Attaching Clamp | |
| 37 | 3 | 9997-0520-16 | Skruv | Screw | |
| 50 | 2 | 9959-0816-16 | Skruv | Screw | |
| 52 | 1 | 9570-0001-00 | Vinkellänk As8 Din 71802M5 Länk | Elbow Link Joint | |
| 81 | 1 | 9997-0870-16 | Skruv | Screw | |
| 103 | 1 | 9959-0816-16 | Skruv | Screw | |
| 108 | 5 | 9739-0531-22 | Mutter | Nut | |
| 113 | 1 | 1134-0267-00 | Plat Underläggsbleck | Plate Clamp Plate | |
| 117 | 1 | 1134-2859-01 | Magnet | Magneto | |
| 118 | 1 | 1134-2858-01 | Fjäder | Spring | |
| 119 | 1 | 1134-2862-01 | Arm Kpl. | Lever | |
| 121 | 1 | 1134-2866-02 | Plat | Plate | |
| 124 | 1 | 1134-2871-01 | Relä Relä | Relay | |



| Utgåva Issue 46 - 2014 | | Transmission | | Transmission | |
|------------------------------|-------------------|-------------------|------------------------|------------------------------|---------------------|
| Pos. Fig. | Antal Quantity | Art nr Part No | Benämning | Description | Anmärkning Notes |
| 1 | 1 | 1134-3664-01 | Remskiva | Engine Pulley | |
| 2 | 1 | 9987-5357-12 | Skruv | Screw | L = 57 mm |
| 8 | 1 | 1134-3583-01 | Spännarm | Tension Arm | |
| 9 | 1 | 1134-9037-01 | Kilrem | V-Belt | = 9585-0084-00 |
| 10 | 1 | 1134-3459-01 | Remskiva Spännrulle | Belt Pulley Tension Roller | |
| 11 | 1 | 9924-1035-16 | Skruv | Screw | |
| 12 | 1 | 9799-1031-02 | Mutter | Nut | |
| 13 | 1 | 1134-3381-01 | Distans | Spacer | |
| 14 | 1 | 9997-0630-12 | Skruv | Screw | |
| 15 | 1 | 9739-0631-22 | Mutter | Nut | |
| 16 | 1 | 1134-0240-00 | Skruv | Screw | |
| 17 | 1 | 9665-0002-00 | Bricka | Washer | |
| 18 | 1 | 9739-0831-22 | Mutter | Nut | |
| 19 | 1 | 1134-3379-01 | Fjäder | Spring | |
| 20 | 1 | 1134-3365-01 | Hydrostat Trans (K61) | Transaxle | Kanzaki K61E |
| 21 | 1 | 1139-1001-01 | Dämpare | Shock Absorber | |
| 22 | 1 | 1134-3389-01 | Slangnippel | Hose nipple | |
| 22 | 1 | 1134-3836-01 | Slangfäste | Tube Holder | |
| 23 | 1 | 1134-2779-02 | Slang | Tube | |
| 24 | 2 | 9578-0021-00 | Slangklämma | Hose clamp | |
| 24 | 2 | 9578-0023-00 | Slangklämma D14 (Lila) | Hose Clamp | |
| 25 | 1 | 1134-3386-01 | Ställarm Kpl. | Lever | |
| 26 | 1 | 9595-0258-00 | Spännstift | Locating Pin | |
| 27 | 1 | 1134-3388-01 | Svärd | Bar | |
| 28 | 1 | 9997-0855-12 | Skruv | Screw | |
| 29 | 1 | 9747-0831-02 | Mutter Lasmutter | Nut | |
| 30 | 1 | 1134-3552-01 | Fläkt | Fan | |
| 31 | 1 | 1134-3451-01 | Remskiva | Belt Pulley | |
| 32 | 4 | 9959-0612-16 | Skruv | Screw | |
| 33 | 2 | 9650-0015-04 | Lasring | CLock ring | |
| 34 | 1 | 1134-3662-01 | Hallare Kpl | Retainer | |
| 35 | 1 | 9959-0816-16 | Skruv | Screw | |
| 36 | 1 | 9699-0028-02 | Bricka | Washer | |
| 37 | 1 | 9675-0012-02 | Starlock | Locking washer | |
| 38 | 3 | 9699-0028-02 | Bricka | Washer | |
| 39 | 1 | 9997-0835-12 | Skruv | Screw | |
| 40 | 1 | 9739-0831-22 | Mutter | Nut | |
| 41 | 1 | 1134-2765-02 | Oljetank | Oil Tank | |
| 42 | 1 | 1134-2777-02 | Tanklock | Filler Cap | |
| 43 | 1 | 1134-3734-01 | Plugg (Service) | Vent Plug | |
| 44 | 1 | 1134-2778-01 | Fästband5-01 | Band | |
| 45 | 1 | 9842-0001-16 | Skruv | Screw | |
| 46 | 1 | 9699-0002-02 | Bricka | Washer | |
| 47 | 1 | 9579-0003-00 | Buntband | Cable Holder | |
| 48 | 1 | 9959-0820-16 | Skruv | Screw | |
| 49 | 1 | 9747-0831-02 | Mutter Lasmutter | Nut | |
| 50 | 2 | 1134-3376-01 | Distansplat | Spacer Plate | |
| 51 | 4 | 9997-0870-16 | Skruv | Screw | |
| 52 | 4 | 9747-0831-02 | Mutter Lasmutter | Nut | |

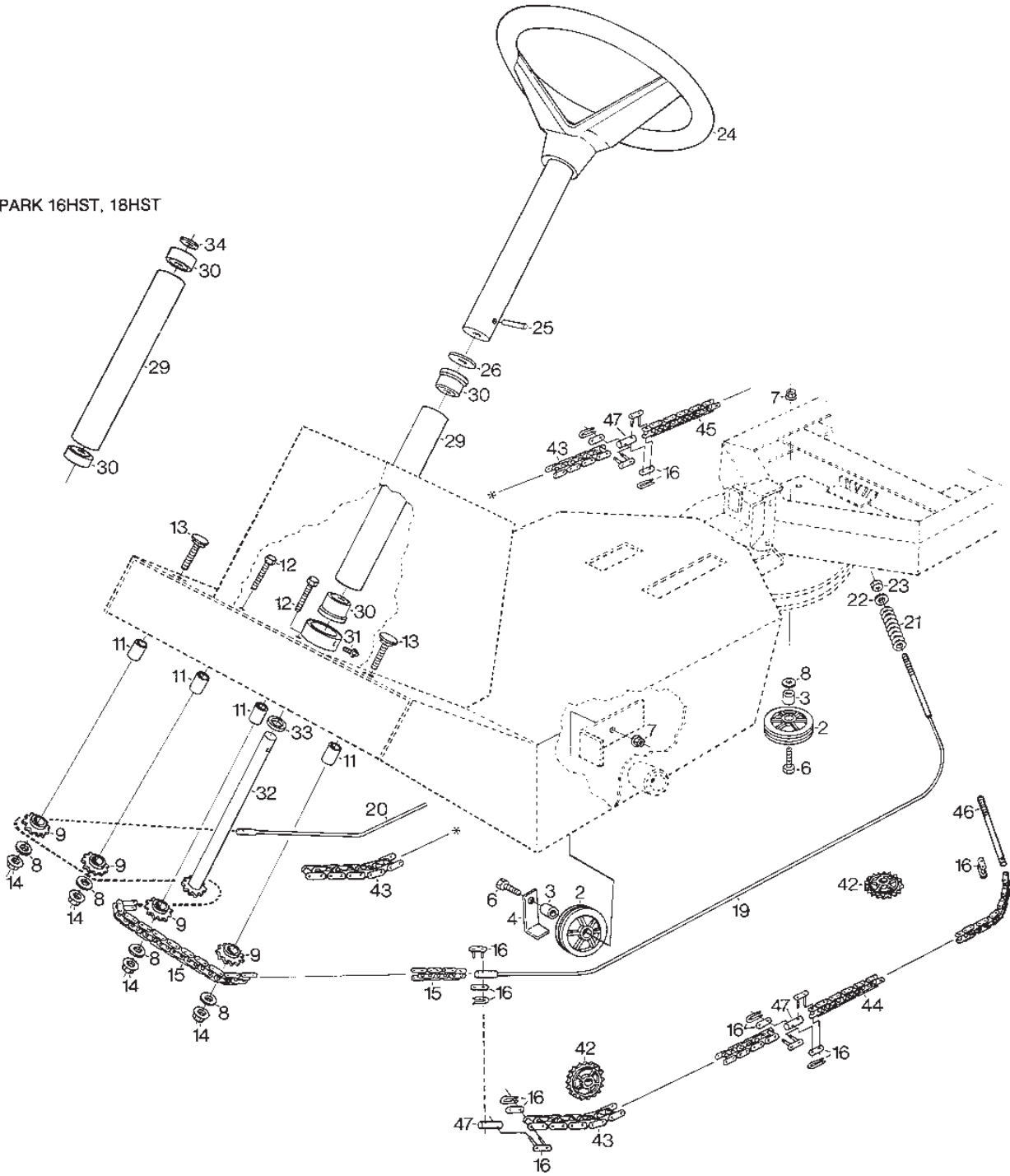


| Utgåva Issue 46 - 2014 | | Transmission | | Transmission | |
|------------------------------|-------------------|-------------------|-----------------------------------|--------------------|---------------------|
| Pos. Fig. | Antal Quantity | Art nr Part No | Benämning | Description | Anmärkning Notes |
| 60 | 2 | 1134-3393-02 | Fälg 7-13 | Rim | |
| 61 | 2 | 9545-0116-00 | Däck | Tyre | 16 x 7.50 - 8 |
| 62 | 2 | 9545-0500-00 | Ventil | Valve Assy. | |
| 63 | 2 | 1134-3383-01 | Kil | Key | |
| 64 | 2 | 9997-0845-12 | Skruv | Screw | |
| 65 | 2 | 9747-0831-02 | Mutter Lasmutter | Nut | |
| 73 | 1 | 1134-3584-01 | Wire | Wire | |
| 74 | 1 | 1134-2766-02 | Fartreglagewire | Speed Control Wire | |
| 75 | 1 | 9570-0001-00 | Vinkellänk As8 Din 71802M5 Länk | Elbow Link Joint | |
| 76 | 2 | 9739-0531-22 | Mutter | Nut | |
| 77 | 1 | 1134-2021-01 | Växelwirefäste | Clamp | |
| 80 | 1 | 1134-3395-01 | Fäste 24 (5-01) | Attachment | |
| 81 | 2 | 9959-0816-16 | Skruv | Screw | |
| 82 | 2 | 9739-0831-22 | Mutter | Nut | |
| 83 | 1 | 1134-3378-01 | Reglagestang | Control Rod | |
| 84 | 1 | 1134-2786-01 | Knopp | Knob | |
| 85 | 1 | 1134-2789-01 | Fäste | Bracket | |
| 86 | 1 | 1134-2790-01 | Kabelgenomföring | Cable Protection | |
| 87 | 1 | 9959-0816-16 | Skruv | Screw | |
| 88 | 1 | 9739-0831-22 | Mutter | Nut | |
| 89 | 1 | 9675-0012-02 | Starlock | Locking washer | |
| 90 | 1 | 1134-3375-01 | Fäste | Attachment | |
| 91 | 1 | 9997-0616-16 | Skruv | Screw | |
| 92 | 1 | 9739-0631-22 | Mutter | Nut | |

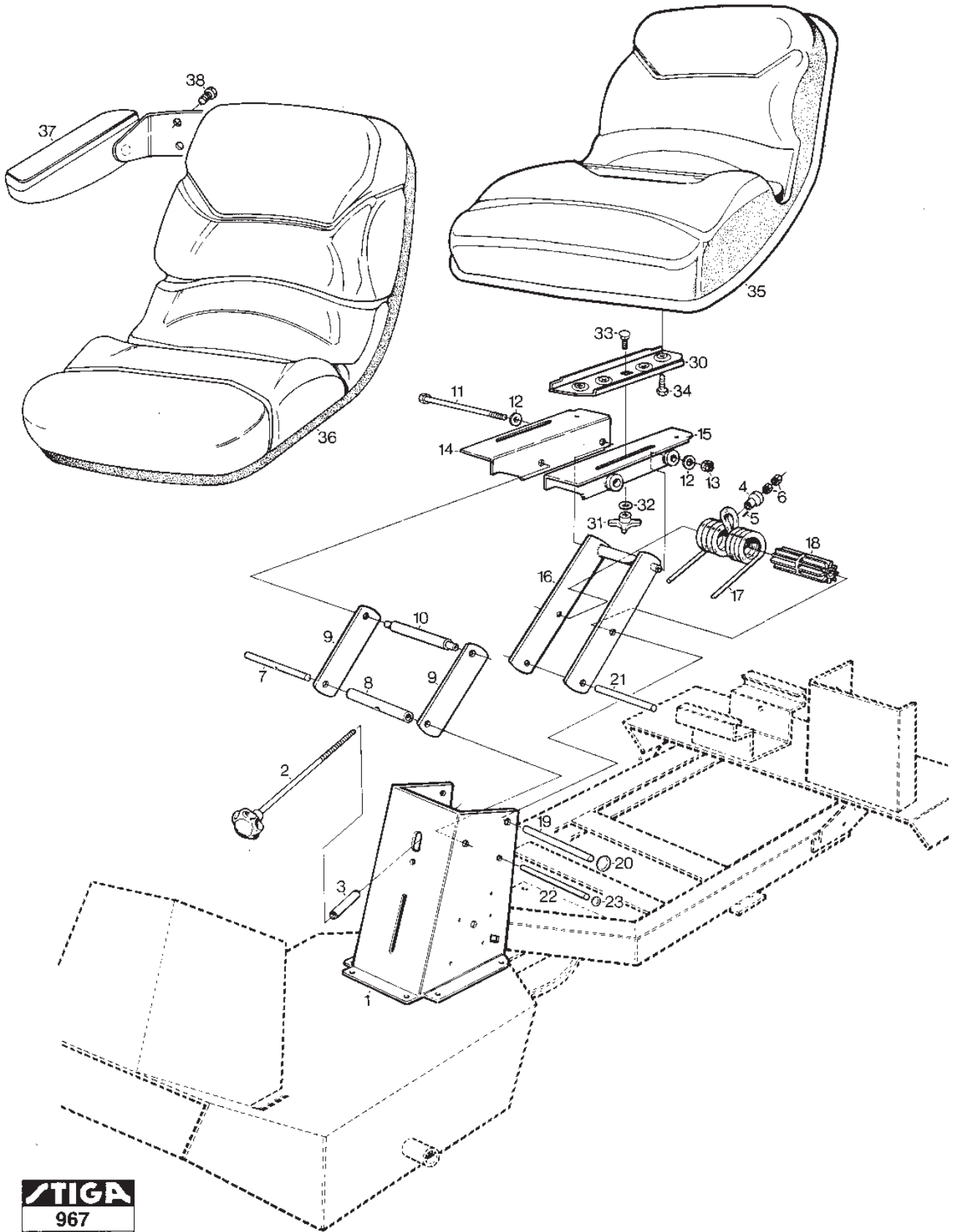


| Utgåva Issue 46 - 2014 | | Esystem Electrical System | | | |
|------------------------------|-------------------|------------------------------|--------------------------|----------------------------|---------------------|
| Pos. Fig. | Antal Quantity | Art nr Part No | Benämning | Description | Anmärkning Notes |
| 1 | 2 | 9849-8006-16 | Skruv | Screw | |
| 7 | 1 | 9400-0064-02 | Batterihallare | Battery Holder | |
| 8 | 1 | 1134-2333-02 | Batteriunderlägg | Battery Pad | |
| 9 | 1 | 1134-0234-01 | Batterikabel (+) | Battery Cable (+) | |
| 10 | 1 | 1134-2310-01 | Batteriskydd | Guard Cap (+) | |
| 11 | 1 | 1134-2948-01 | Skyddshätta | Guard Cap | |
| 12 | 1 | 1134-2962-01 | Solenoid Kpl Service | Solenoid | Inkl pos 15 |
| 13 | 2 | 9849-8009-16 | Skruv | Screw | |
| 15 | 2 | 9794-5131-02 | Mutter | Nut | |
| 16 | 1 | 1134-3491-01 | Säkringshallare | Fuse Carrier Fuse Holder | |
| 16 | 1 | 1134-3631-01 | Lock (5-01) Lock | Cover-Fuse Holder | |
| 17 | 1 | 1134-3496-02 | Säkring (25A) | Fuse (25A) | 25A |
| 19 | 1 | 1134-3203-05 | Kabelgenomföring | Grommet | |
| 28 | 10 | 9579-0003-00 | Buntband | Cable Holder | |
| 29 | 1 | 1134-2782-01 | Lasbleck | Clamp | |
| 30 | 1 | 9997-0520-16 | Skruv | Screw | |
| 31 | 1 | 9739-0531-22 | Mutter | Nut | |
| 32 | 1 | 1134-2892-01 | Batteri | Battery | |
| 33 | 1 | 1134-3300-01 | Batterisyra | Battery Acid | 2 x 0.85 liter |
| 34 | 1 | 1134-3399-01 | Brytare | Switch | |
| 35 | 2 | 9997-0520-16 | Skruv | Screw | |
| 36 | 2 | 9747-0531-02 | Mutter | Nut | |
| 44 | 1 | 1134-1814-01 | Tändningslas Kpl Service | Starter Switch Assy. | |
| 45 | 1 | 1134-2853-01 | Bricka | Washer | |
| 46 | 1 | 1134-2852-01 | Mutter | Nut | |
| 47 | 1 | 1134-2848-01 | Tändningsnyckel | Ignition Key | |
| 48 | 1 | 1134-3368-01 | Tändningsnyckel | Ignition Key | |
| 50 | 1 | 1134-3689-01 | Kabelhärva | Harness | 1818,1448 |
| 52 | 1 | 9795-3531-02 | Mutter | Nut | |
| 62 | 1 | 1134-3251-02 | Fäste | Bracket | |
| 63 | 2 | 9959-0612-16 | Skruv | Screw | 12 mm |
| 64 | 2 | 9739-0631-22 | Mutter | Nut | |
| 65 | 1 | 1134-3156-02 | Brytare (gra) | Switch | |
| 66 | 1 | 1134-3732-01 | Kabel | Cable | |
| 67 | 1 | 1134-1466-01 | Stralkastare Kpl | Headlamp Assy. | |
| 68 | 1 | 9400-0075-00 | Glödlampa 12336H3 12 | Glow Lamp | |
| 69 | 1 | 9400-0063-00 | Brytare | Switch | |
| 70 | 2 | 1134-3733-01 | Bussning | Bushing | |
| 71 | 2 | 9847-7919-16 | Skruv | Screw | |
| 75 | 1 | 1134-3875-01 | Kablage | Cable | |
| 87 | 1 | 1134-2857-01 | Brytare | Switch | Baklyft/rear lift |
| 88 | 1 | 1134-3329-03 | Symbolplatta (Bla) | Symbol Plate (Blue) | |

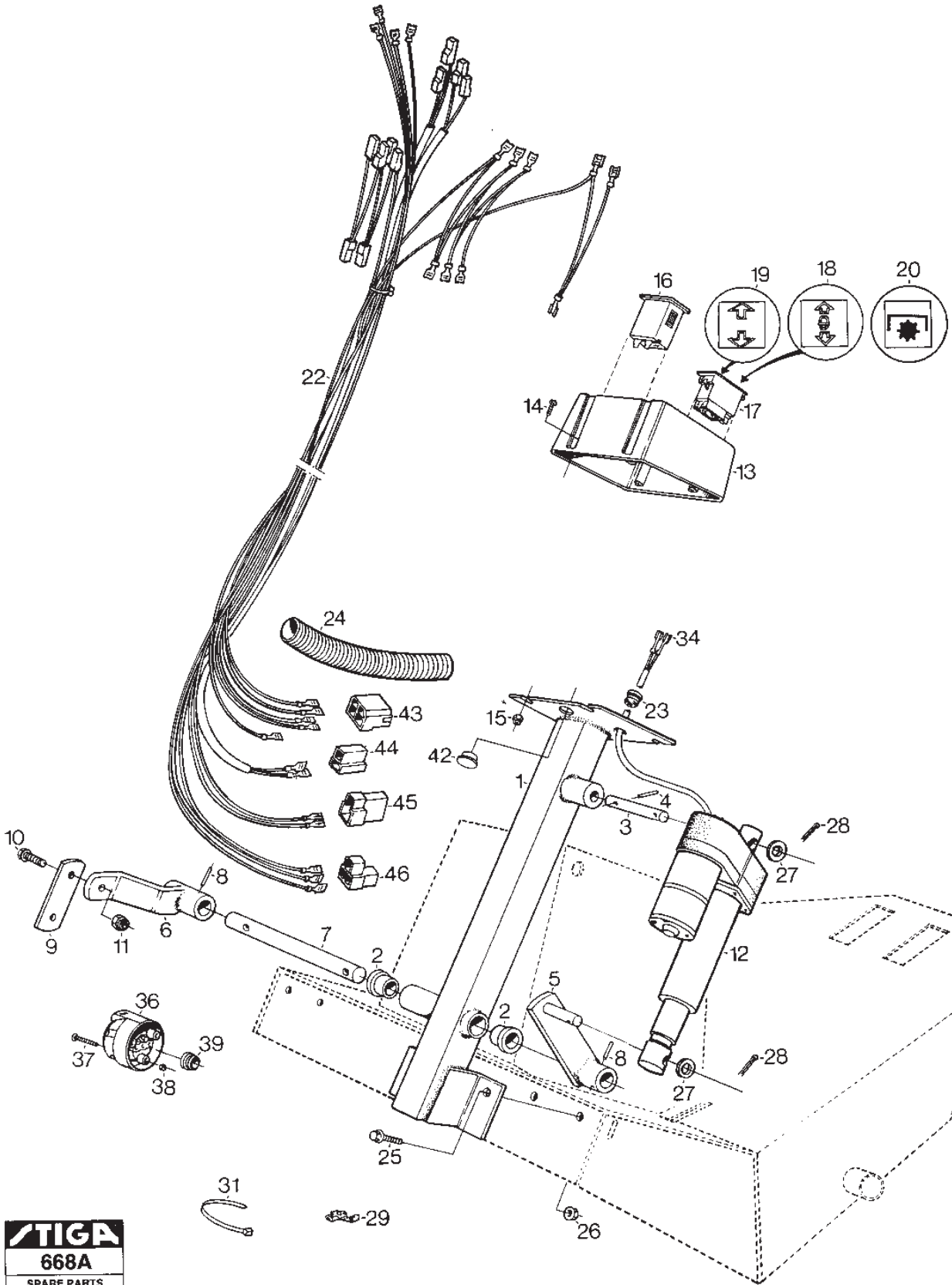
PARK 16HST, 18HST



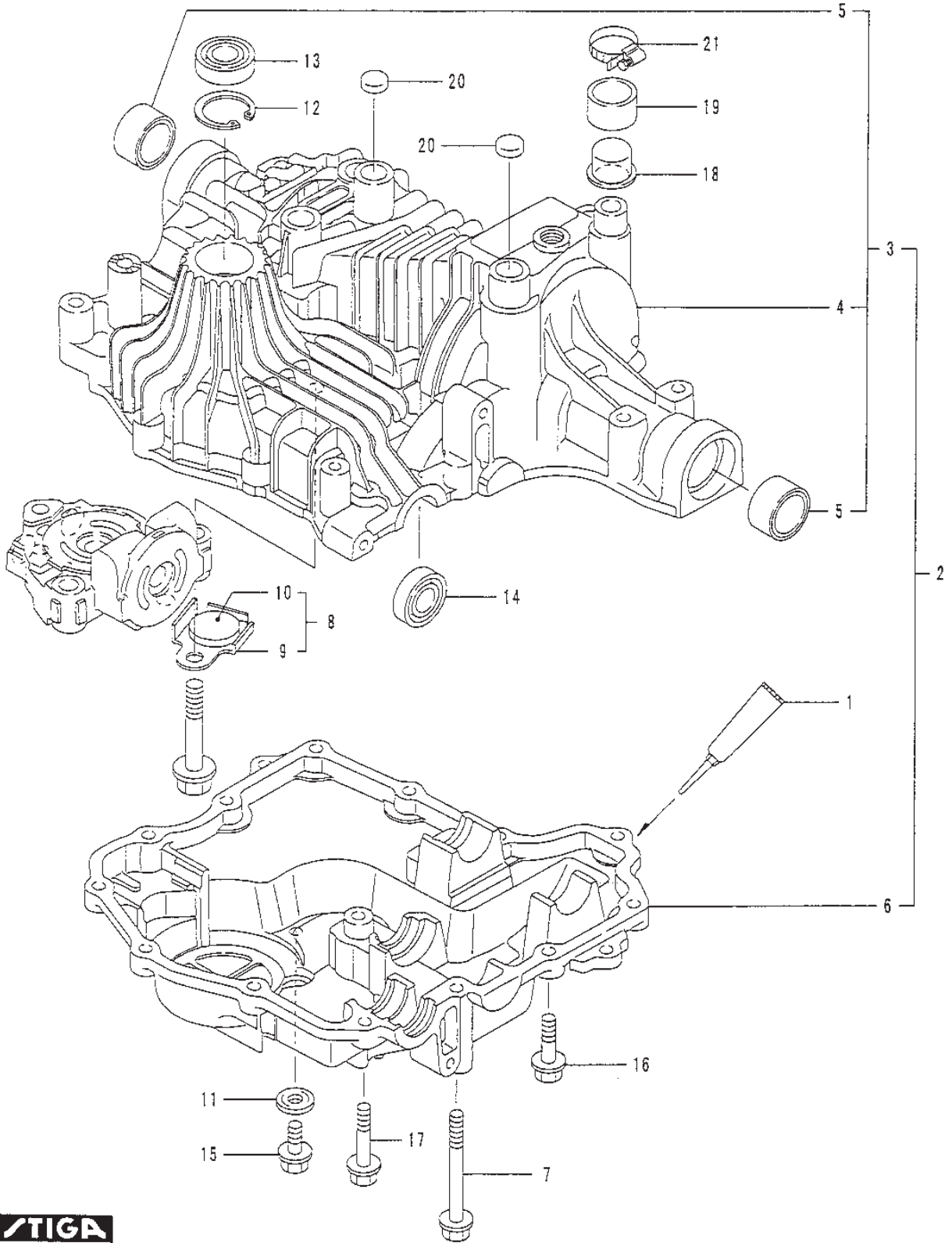
| Utgåva Issue 46 - 2014 | | Styrning Steering | | | |
|------------------------------|-------------------|----------------------|--------------------|----------------------------|---------------------|
| Pos. Fig. | Antal Quantity | Art nr Part No | Benämning | Description | Anmärkning Notes |
| 3 | 3 | 1134-0041-01 | Bussning | Bushing | |
| 4 | 2 | 1134-3022-01 | Fäste | Bracket | |
| 6 | 3 | 9997-1030-16 | Skruv | Screw | |
| 7 | 3 | 9739-1031-22 | Mutter | Nut | |
| 8 | 5 | 9699-0035-02 | Bricka | Washer | |
| 9 | 4 | 1134-2816-01 | Kedjehjul | Sprocket | |
| 11 | 4 | 1134-0041-02 | Bussning | Bushing | |
| 12 | 2 | 9997-1040-12 | Skruv | Screw | |
| 13 | 2 | 9897-1040-12 | Skruv | Screw | |
| 14 | 4 | 9739-1031-22 | Mutter | Nut | |
| 15 | 1 | 1134-2820-01 | Kedja79 Länkar | Chain W/O Lock | 79 länk/links |
| 16 | 10 | 1134-2824-01 | Kedjelas | Chain Lock | |
| 21 | 2 | 1134-2818-01 | Fjäder | Spring | |
| 21 | 2 | 1134-3817-01 | Fjäder | Spring | |
| 22 | 2 | 9699-0090-02 | Bricka | Washer | |
| 23 | 2 | 9747-0831-02 | Mutter Lasmutter | Nut | |
| 24 | 1 | 1134-1966-03 | Ratt | Steering Wheel | |
| 25 | 1 | 9595-0262-00 | Spännstift | Locating Pin Elastic Pin | |
| 26 | 1 | 9699-0114-02 | Bricka | Washer | 1.0 mm |
| 26 | 1 | 9699-0103-02 | Bricka | Washer | 0.5 mm |
| 29 | 1 | 1134-3085-01 | Rattrör Nedre | Steering Column,Lower | |
| 30 | 2 | 9549-0017-00 | Kullager | Ball Bearing | |
| 31 | 2 | 9942-0612-16 | Skruv | Screw | |
| 32 | 1 | 1134-3084-01 | Rattstang | Steering Rod | |
| 33 | 1 | 1134-2837-02 | Distans | Spacer | |
| 34 | 1 | 9695-0011-00 | Bricka | Washer | |
| 42 | 3 | 1134-3547-01 | Kedjehjul | Sprocket | |
| 43 | 2 | 1134-2820-02 | Kedja | Chain | 41 länk/link |
| 44 | 1 | 1134-2820-02 | Kedja | Chain | 41 länk/link |
| 45 | 1 | 1134-2820-04 | Kedja | Chain | 45 länk/link |
| 46 | 2 | 1134-3550-01 | Ändnippel (L110) | End Nipple | |
| 47 | 4 | 1134-3565-01 | Skarvnippel | Connection Nipple | |



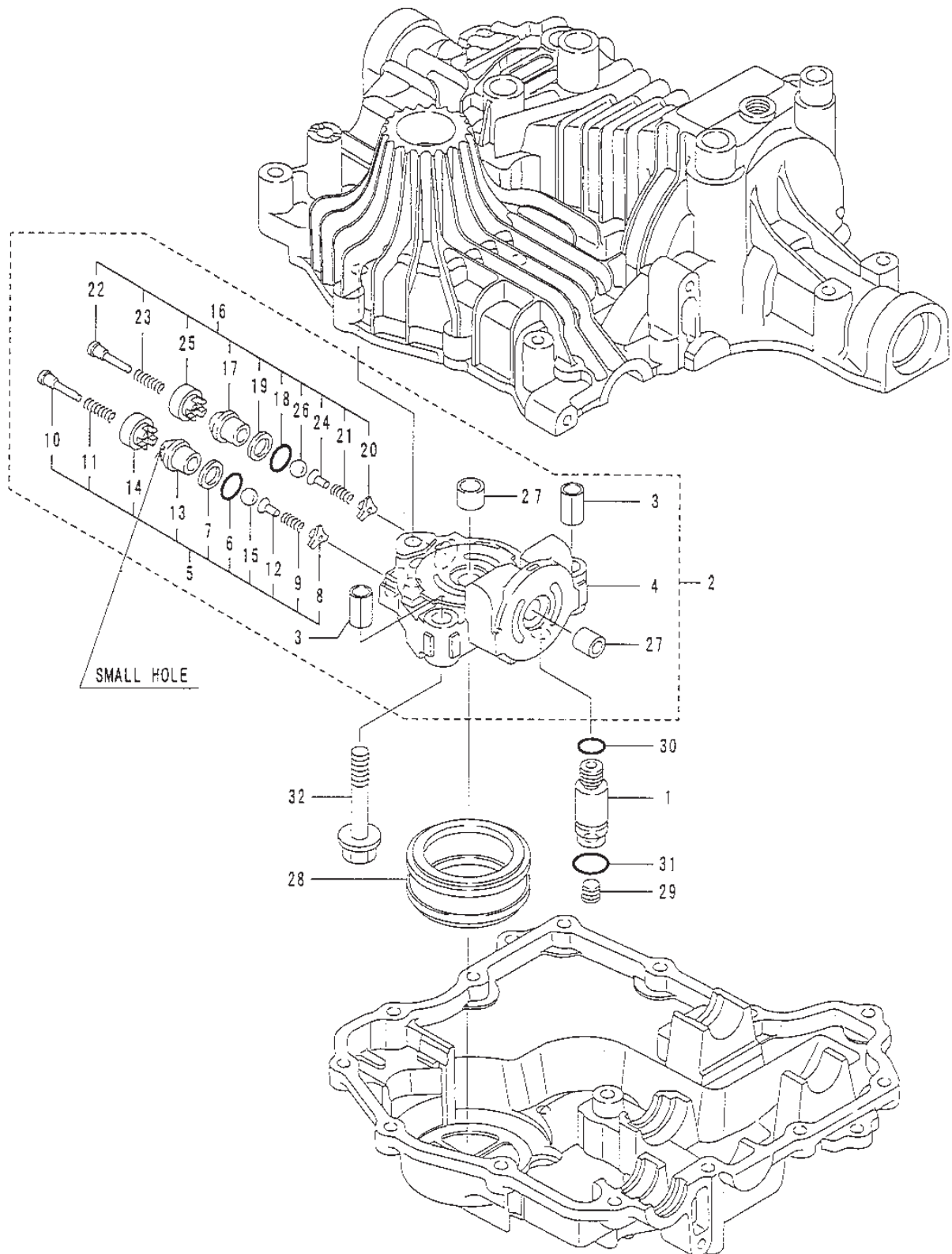
| Utgåva Issue 46 - 2014 | | Sits Seat | | | |
|------------------------------|-------------------|-------------------|-----------------------------|----------------------|---------------------|
| Pos. Fig. | Antal Quantity | Art nr Part No | Benämning | Description | Anmärkning Notes |
| 1 | 1 | 1134-3800-01 | Sitskonsol 1-00 02 | Seat Bracket-Yellow | |
| 2 | 1 | 1134-2163-01 | Spännstang Kpl. | Rod | |
| 3 | 1 | 1134-2166-01 | Distans | Spacer | |
| 4 | 1 | 1134-0019-00 | Mutter | Nut | |
| 5 | 1 | 9595-0160-00 | Spiralspnst Prym N3X16 | Locating Pin | |
| 6 | 2 | 9799-0831-02 | Mutter | Nut | |
| 7 | 1 | 1134-2847-01 | Mellanstag | Shaft | |
| 8 | 1 | 1134-2846-01 | Rör | Tube | |
| 9 | 2 | 1134-1650-01 | Parallellstag | Tie Bar | |
| 10 | 1 | 1134-3871-02 | Ledaxel | Pivoting Tube | |
| 11 | 2 | 9997-0816-02 | Skruv | Screw | |
| 12 | 4 | 9699-0062-02 | Bricka | Washer | |
| 13 | 2 | 9747-0831-02 | Mutter I Lasmutter | Nut | |
| 14 | 1 | 1134-3878-01 | Sitsfäste Kpl 14 | Seat Attachment-R.H. | |
| 15 | 1 | 1134-3878-02 | Sitsfäste Kpl 14 | Seat Attachment-L.H. | |
| 16 | 1 | 1134-3876-01 | Fjäder | Spring | |
| 17 | 1 | 1134-3879-01 | Fjäder | Spring | |
| 18 | 1 | 1134-1883-01 | Axel | Axle | |
| 19 | 1 | 1134-0022-00 | Reglagestang | Control Rod | |
| 20 | 2 | 9672-0004-02 | Starlock | Starlock | |
| 21 | 1 | 1134-0050-00 | Sitsstang | Seat Rod | |
| 22 | 1 | 1134-2454-01 | Axel | Shaft | |
| 23 | 2 | 9672-0006-02 | Starlock | Lock washer | |
| 30 | 2 | 1134-2961-01 | Sitsadapter 5-01 24 | Seat Adapter | |
| 31 | 2 | 1134-1711-01 | Knopp | Knob | |
| 32 | 2 | 9699-0062-02 | Bricka | Washer | |
| 33 | 2 | 9898-0820-16 | Skruv | Screw | |
| 34 | 4 | 9988-3616-16 | Skruv | Screw | |
| 36 | 1 | 1134-3286-01 | Sits (Super Suburb.Sa 6995) | Seat | 1448,1458,1818 |
| 37 | 1 | 13-1962-11 | Arm rest | Arm rest | |
| 38 | 2 | 9988-3719-16 | Skruv | Screw | 3/8" |



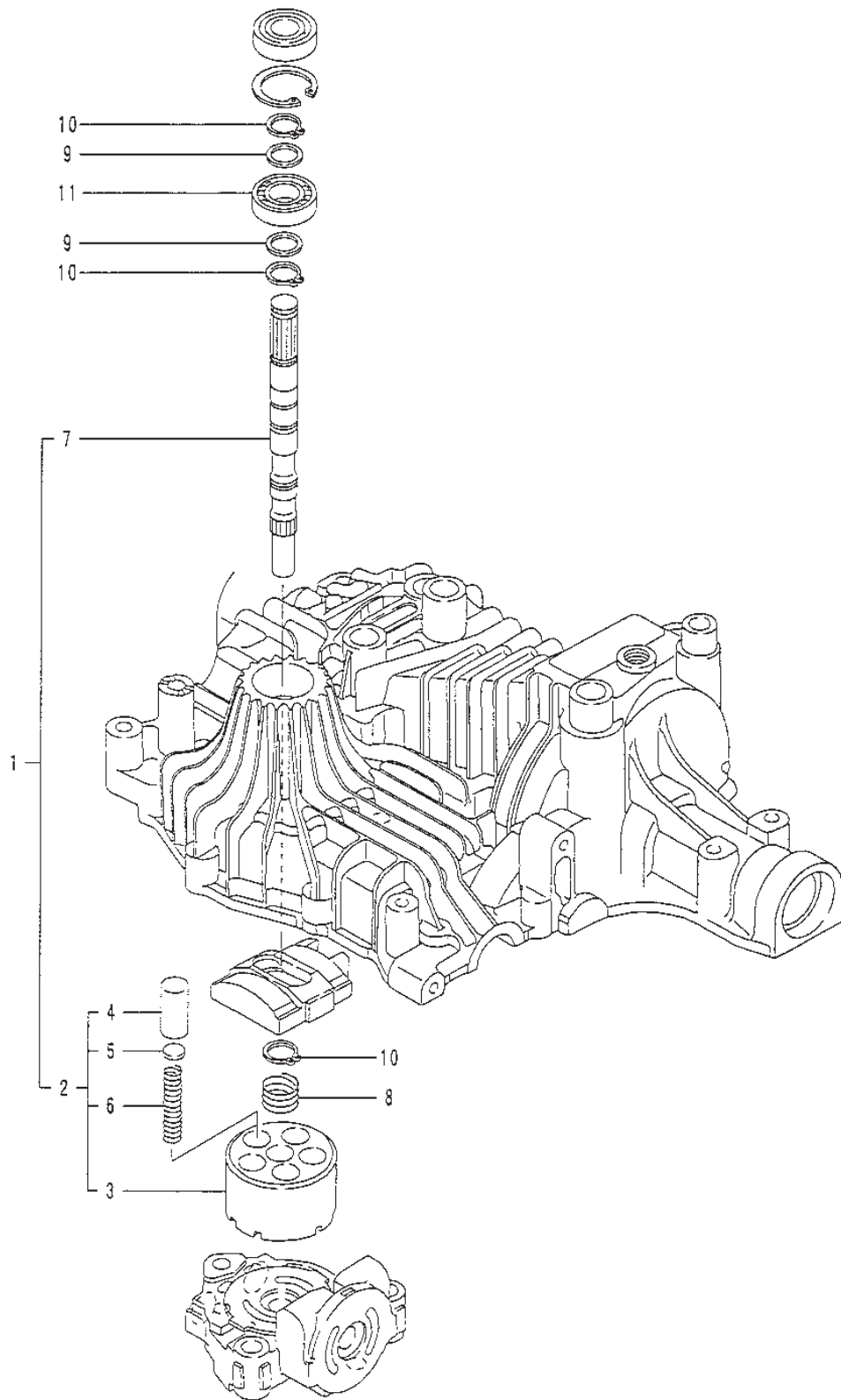
| Utgåva Issue 46 - 2014 | | Elektr. Redskapslyft | | El. Lifting Device | |
|------------------------------|-------------------|----------------------|------------------------|---------------------------|-----------------------|
| Pos. Fig. | Antal Quantity | Art nr Part No | Benämning | Description | Anmärkning Notes |
| 1 | 1 | 1134-3305-03 | Stativ Kompl. 5-01 02 | Stand | |
| 2 | 1 | 1134-9024-01 | Lager (4 St) | Bearing | Sats 4 st/kit of 4 |
| 3 | 1 | 1134-3317-01 | Axeltapp | Shaft | |
| 4 | 1 | 9595-0210-00 | Spiralspnst Prym N4X26 | Locating Pin | |
| 5 | 1 | 1134-3309-01 | Cylinderarm Kpl. | Lever | |
| 6 | 1 | 1134-3310-01 | Lyftarm Kpl. | Lift Arm | |
| 7 | 1 | 1134-3313-01 | Axel | Shaft | |
| 8 | 2 | 9595-0280-00 | Spiralspnst Prym N8X32 | Locating Pin | |
| 9 | 1 | 1134-3320-01 | Förlängningsjärn | Lift Lever | |
| 10 | 1 | 9959-1025-16 | Skruv | Screw | |
| 11 | 1 | 9712-1031-02 | Lasmutter | Nut | |
| 12 | 1 | 1134-3939-01 | Ställdon | El.Actuator | |
| 13 | 1 | 1134-3714-01 | Manöverlada 5-01 | Switch Box | |
| 14 | 4 | 9950-0510-16 | Skruv | Screw | |
| 15 | 4 | 9747-0531-02 | Mutter | Nut | |
| 16 | 1 | 1134-3331-01 | Timräknare | Hour Meter | |
| 17 | 4 | 1134-2857-01 | Brytare | Switch | |
| 18 | 1 | 1134-2902-01 | Symbolplatta (Grön) | Symbol Plate-Cruise Contr | Farthåll/cruise contr |
| 19 | 1 | 1134-3329-01 | Symbolplatta (Röd) | Symbol Plate (Red) | |
| 19 | 1 | 1134-3329-02 | Symbolplatta (Orange) | Symbol Plate (Light Red) | |
| 20 | 1 | 1134-2902-02 | Symbol Platta (Grön *) | Symbol Plate-Pto | Kraftuttag/PTO |
| 22 | 1 | 1134-3690-01 | Kablage | Harness | |
| 23 | 1 | 1134-3203-04 | Kabelgenomföring | Grommet | |
| 24 | 1 | 1134-3647-01 | Slang | Tubing | |
| 25 | 2 | 9959-1020-16 | Skruv | Screw | |
| 26 | 2 | 9739-1031-22 | Mutter | Nut | |
| 27 | 2 | 9699-0037-02 | Bricka | Washer | |
| 28 | 2 | 9599-0083-02 | SaxSprint 4X25 Fz | Split Pin | |
| 29 | 2 | 9400-0231-00 | Kabelskarv | Splicer | |
| 31 | 4 | 9579-0003-00 | Buntband | Cable Holder | |
| 34 | 2 | 9400-0284-01 | Flatstiftshylsa 6.3 Mm | Cable Connection | |
| 36 | 1 | 1134-3332-01 | Kontakt, Hondel | Terminal | |
| 37 | 3 | 9865-0530-16 | Skruv | Screw | |
| 38 | 3 | 9747-0531-02 | Mutter | Nut | |
| 39 | 1 | 1134-3203-02 | Kabelgenomföring | Grommet | |
| 42 | 1 | 1134-3652-01 | Plugg | Plug | |
| 43 | 1 | 1134-3646-01 | Hylsblock | Connecting Plug | |
| 44 | 1 | 1134-3691-01 | Hylsblock (2 Pol) | Connecting Plug | |
| 45 | 1 | 1134-3692-01 | Stiftblock (2 Pol) | Terminal Plug | |
| 46 | 1 | 1134-3693-01 | Stiftblock (3 Pol) | Terminal Plug | |



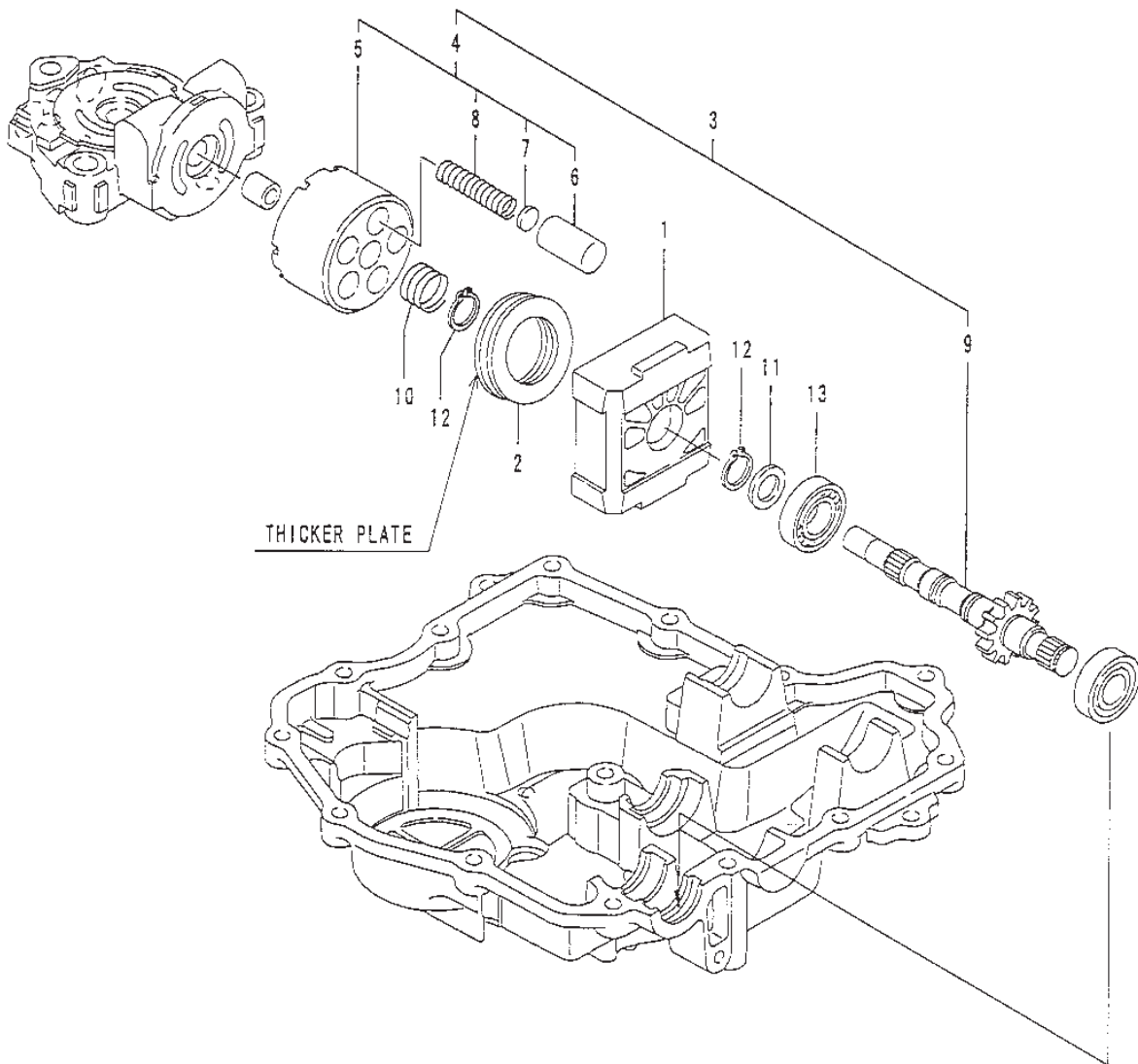
| Utgåva Issue 46 - 2014 | | Kanzaki Transaxel K-61E Transmissionshus | | Kanzaki Transaxle K-61E Transmission Case | |
|------------------------------|-------------------|------------------------------------------|----------------------|-------------------------------------------|---------------------|
| Pos. Fig. | Antal Quantity | Art nr Part No | Benämning | Description | Anmärkning Notes |
| 1 | 1 | 1139-0223-01 | Sealant | Sealant | |
| 2 | 1 | 1139-1132-01 | Transmissionshus Kpl | Transaxle Case Set | Inkl. pos 3-6 |
| 3 | 1 | 1139-1133-01 | Övre Hus Kpl | Upper Case | Inkl. pos 4-5 |
| 6 | 1 | 1139-1134-01 | Nedre Hus | Lower Case | |
| 7 | 1 | 1139-1006-01 | Bult | Bolt | |
| 8 | 1 | 1139-1007-01 | Magnet | Magnet | Inkl. pos 9-10 |
| 11 | 1 | 1139-1103-01 | Bricka | Washer | |
| 12 | 1 | 1139-1104-01 | Lasring | Snap Ring | |
| 13 | 1 | 1139-1119-01 | Tätning | Seal 15*35*7 | |
| 14 | 1 | 1139-1120-01 | Tätning | Seal 17*35*7 | |
| 15 | 1 | 1139-1123-01 | Bult | Bolt | |
| 16 | 11 | 1139-0244-01 | Skruv | Screw | |
| 17 | 2 | 1139-1126-01 | Skruv | Screw | |
| 18 | 1 | 1139-1131-01 | Plugg | Plug (20) | |
| 19 | 1 | 1139-1130-01 | Hylsa | Collar (23X29X17) | |
| 20 | 2 | 1139-1050-01 | Plugg | Plug | |
| 21 | 1 | 1139-1129-01 | Slangklämma | Hose Clamp (28) | |



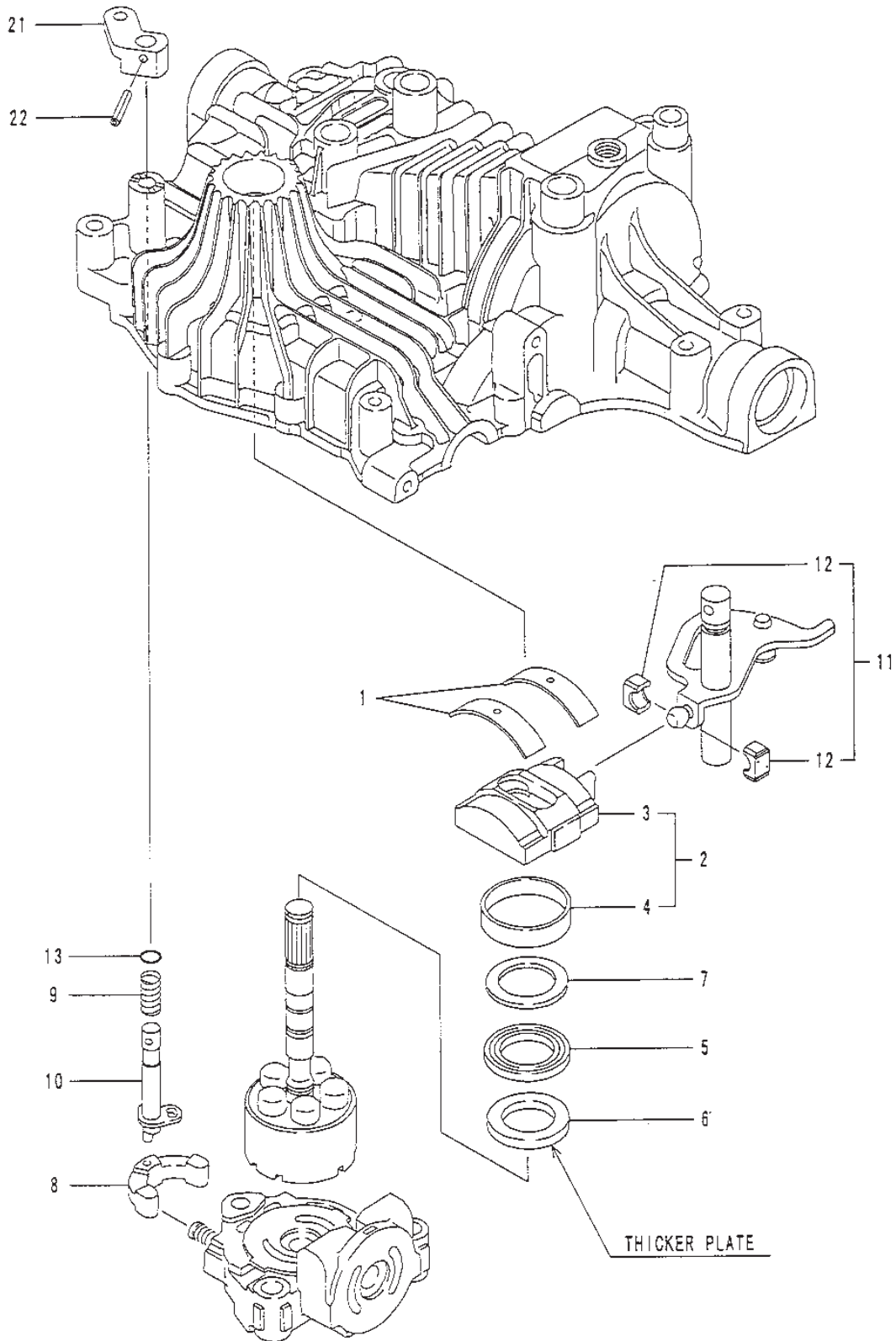
| Utgåva Issue 46 - 2014 | | Kanzaki Transaxel K-61E Centrumhus | | Kanzaki Transaxle K-61E Center Case | |
|------------------------------|-------------------|------------------------------------|------------------|-------------------------------------|---------------------|
| Pos. Fig. | Antal Quantity | Art nr Part No | Benämning | Description | Anmärkning Notes |
| 1 | 1 | 1139-1015-01 | Anslutning | Connector | |
| 2 | 1 | 1139-1009-02 | Center case assy | Center case assy | Serie nr 5468 - |
| 2 | 1 | 1139-1140-01 | Service Sats | Service Kit | Serie nr 0001 - |
| 2 | 1 | 1139-1009-01 | Center case assy | Center case assy | Serie nr - 5468 |
| 3 | 2 | 1139-1008-01 | Stift | Knock Pin | |
| 5 | 1 | 1139-1011-01 | Valve set | Valve set | Inkl. pos 6-15 |
| 6 | 1 | 1139-1013-01 | O-Ring | O-Ring | |
| 7 | 1 | 1139-1014-01 | Ring | Back-Up Ring | |
| 16 | 1 | 1139-1012-01 | Valve set | Valve set | Inkl. pos. 17-26 |
| 18 | 1 | 1139-1013-01 | O-Ring | O-Ring | |
| 19 | 1 | 1139-1014-01 | Ring | Back-Up Ring | |
| 27 | 2 | 1139-1121-01 | Bussning | Bushing | |
| 28 | 1 | 1139-1016-01 | Filter | Filter | |
| 29 | 1 | 1139-1107-01 | Plugg | Plug | |
| 30 | 1 | 1139-1113-01 | O-Ring | O-Ring | |
| 31 | 1 | 1139-1115-01 | O-Ring | O-Ring | |
| 32 | 3 | 1139-1125-01 | Bult | Bolt | |



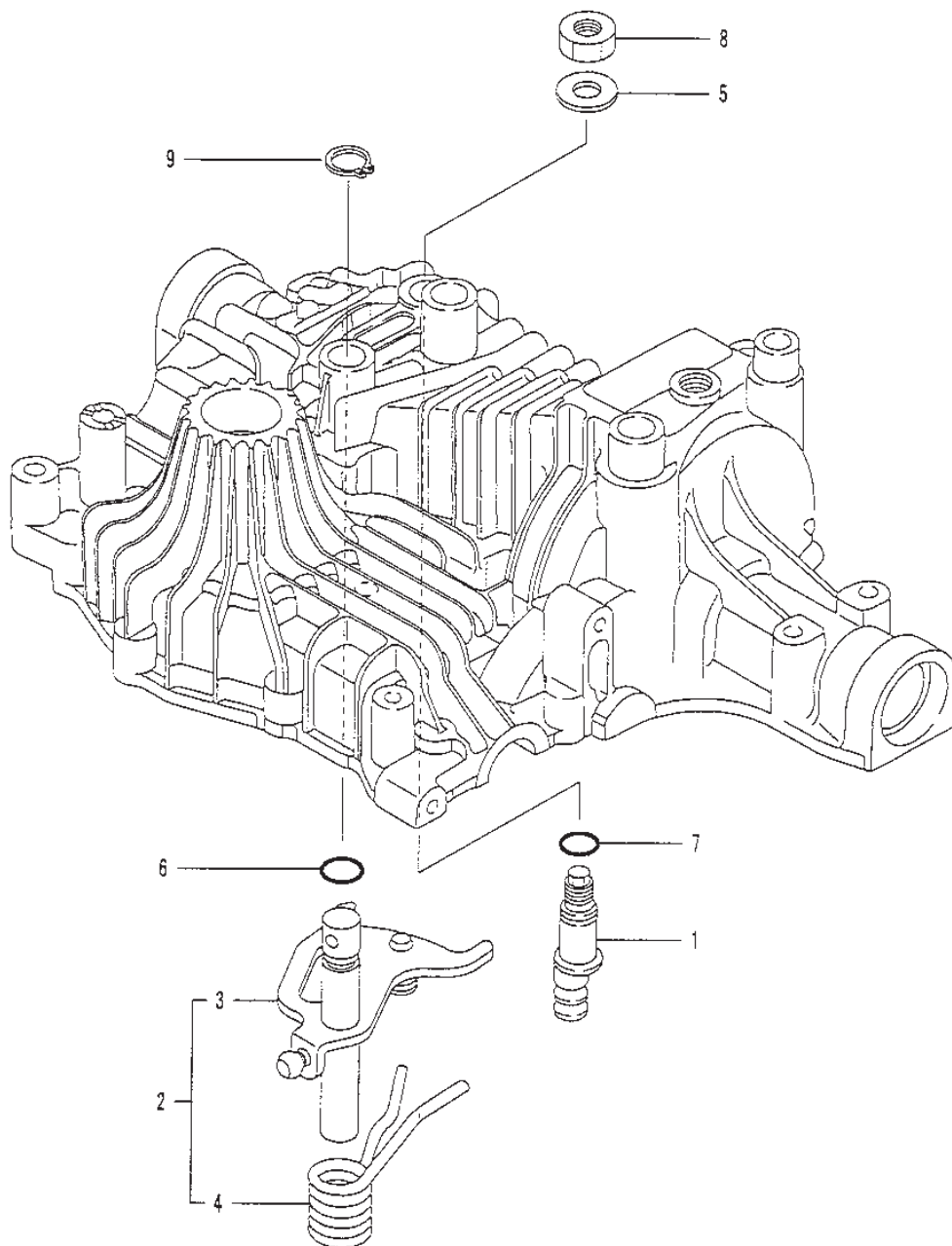
| Utgåva Issue 46 - 2014 | | Kanzaki Transaxel K-61E Pumpaxel | | Kanzaki Transaxle K-61E Pump Shaft | |
|------------------------------|-------------------|----------------------------------|-------------------|------------------------------------|---------------------|
| Pos. Fig. | Antal Quantity | Art nr Part No | Benämning | Description | Anmärkning Notes |
| 1 | 1 | 1139-1135-01 | Pumpaxel Kpl | Pump Shaft Set | Inkl. pos. 2-7 |
| 2 | 1 | 1139-1139-01 | Cylinderblock Kpl | Cylinder Block Assy | Inkl. pos 3-6 |
| 7 | 1 | 1139-1020-02 | Pumpaxel | Pump Shaft | |
| 8 | 1 | 1139-1018-01 | Fjäder | Spring | |
| 9 | 2 | 1139-1019-01 | Bricka | Washer | |
| 10 | 3 | 1139-1021-01 | Lasring | Snap Ring | |
| 11 | 1 | 1139-1110-01 | Kullager | Ball Bearing | |



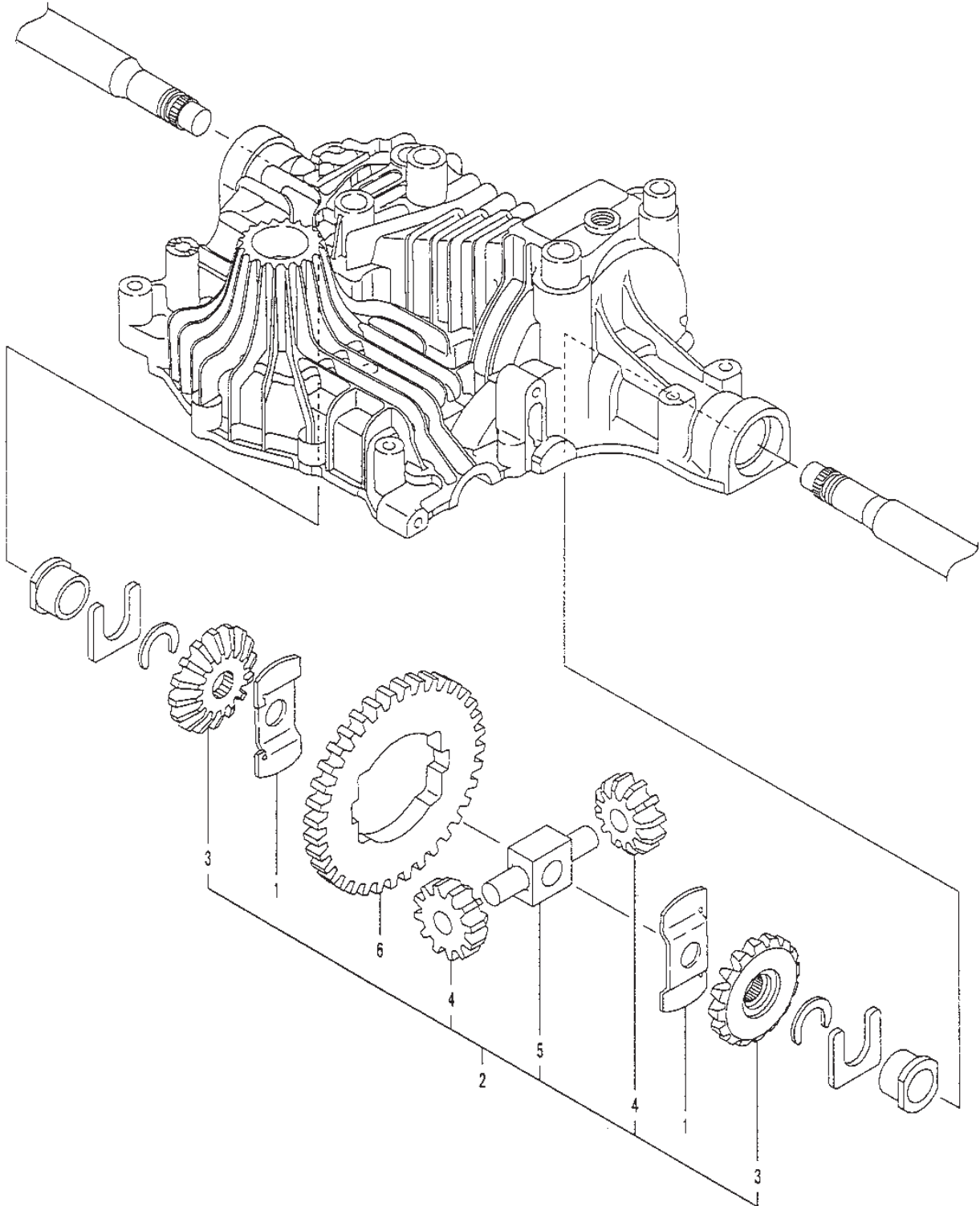
| Utgåva Issue 46 - 2014 | | Kanzaki Transaxel K-61E Motoraxel | | Kanzaki Transaxle K-61E Motor Shaft | |
|------------------------------|-------------------|-----------------------------------|-------------------|-------------------------------------|---------------------|
| Pos. Fig. | Antal Quantity | Art nr Part No | Benämning | Description | Anmärkning Notes |
| 1 | 1 | 1139-1004-02 | Hus | Housing | Serie nr 5468 - |
| 1 | 1 | 1139-1140-01 | Service Sats | Service Kit | Serie nr 0001 - |
| 1 | 1 | 1139-1004-01 | Hus | Housing | Serie nr - 5468 |
| 2 | 1 | 1139-1005-01 | Axiallager | Thrust Bearing | |
| 3 | 1 | 1139-1136-01 | Motoraxel Kpl | Motor Shaft Set | Inkl. pos. 4-9 |
| 4 | 1 | 1139-1139-01 | Cylinderblock Kpl | Cylinder Block Assy | Inkl. pos 5-8 |
| 9 | 1 | 1139-1049-03 | Motoraxel | Motor Shaft | Serie nr 10036 - |
| 9 | 1 | 1139-1049-02 | Motoraxel | Motor Shaft | |
| 10 | 1 | 1139-1018-01 | Fjäder | Spring | |
| 11 | 1 | 1139-1019-01 | Bricka | Washer | |
| 12 | 2 | 1139-1021-01 | Lasring | Snap Ring | |
| 13 | 1 | 1139-1110-01 | Kullager | Ball Bearing | |



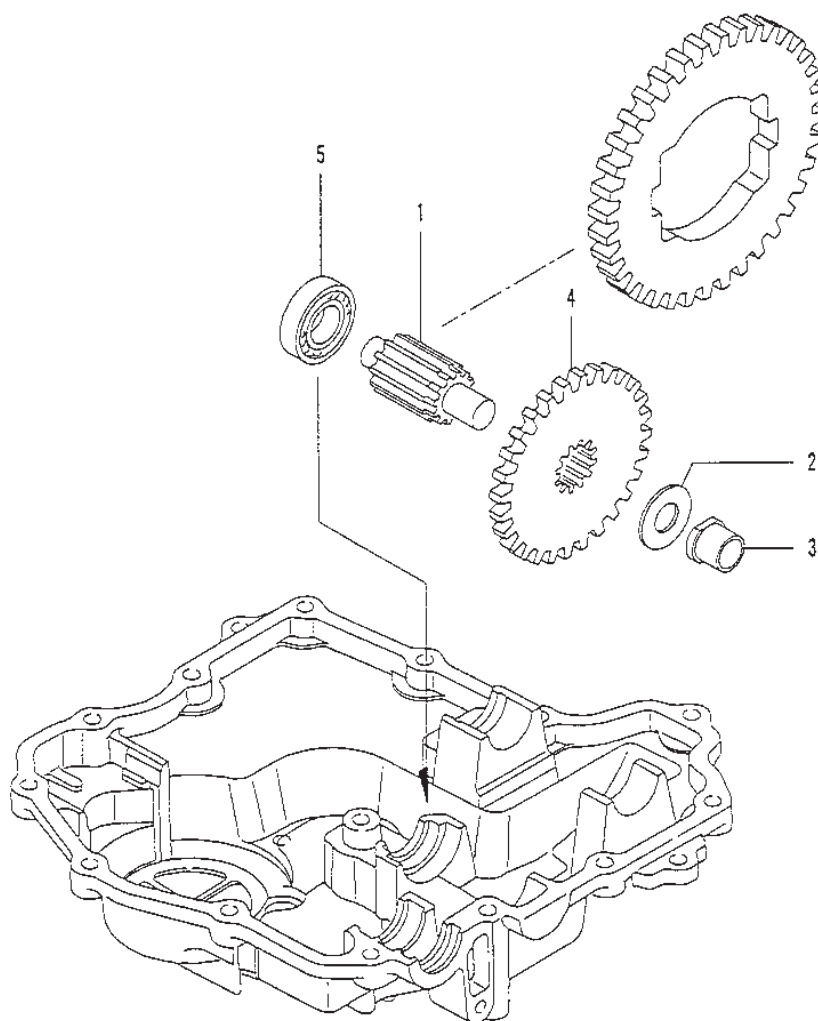
| Utgåva Issue 46 - 2014 | | Kanzaki Transaxel K-61E Riktningväljare | | Kanzaki Transaxle K-61E Range Shift | |
|------------------------------|-------------------|-----------------------------------------|-------------------|-------------------------------------|---------------------|
| Pos. Fig. | Antal Quantity | Art nr Part No | Benämning | Description | Anmärkning Notes |
| 1 | 2 | 1139-1022-01 | Tryckplatta | Metal Thrust | |
| 2 | 1 | 1139-1023-01 | Stänkplatta Kpl | Swash Plate Assy | Inkl. pos 3-4 |
| 5 | 1 | 1139-1024-01 | Lager | Bearing | |
| 6 | 1 | 1139-1025-01 | Tryckplatta | Thrust Plate | |
| 7 | 1 | 1139-1026-01 | Tryckplatta | Thrust Plate | |
| 8 | 1 | 1139-1027-01 | Arm By-Pass | C-Arm By-Pass | |
| 9 | 1 | 1139-1028-01 | Fjäder | Spring | |
| 10 | 1 | 1139-1029-01 | Shaft by-pass | Shaft by-pass | |
| 11 | 1 | 1139-1030-01 | Block Sats | Block Set | Inkl. pos. 12 |
| 13 | 1 | 1139-1112-01 | O-Ring | O-Ring | |
| 21 | 1 | 1139-1031-01 | Arm valve release | Arm valve release | |
| 22 | 1 | 1139-1106-01 | Stift 4*25 | Roll Pin | |



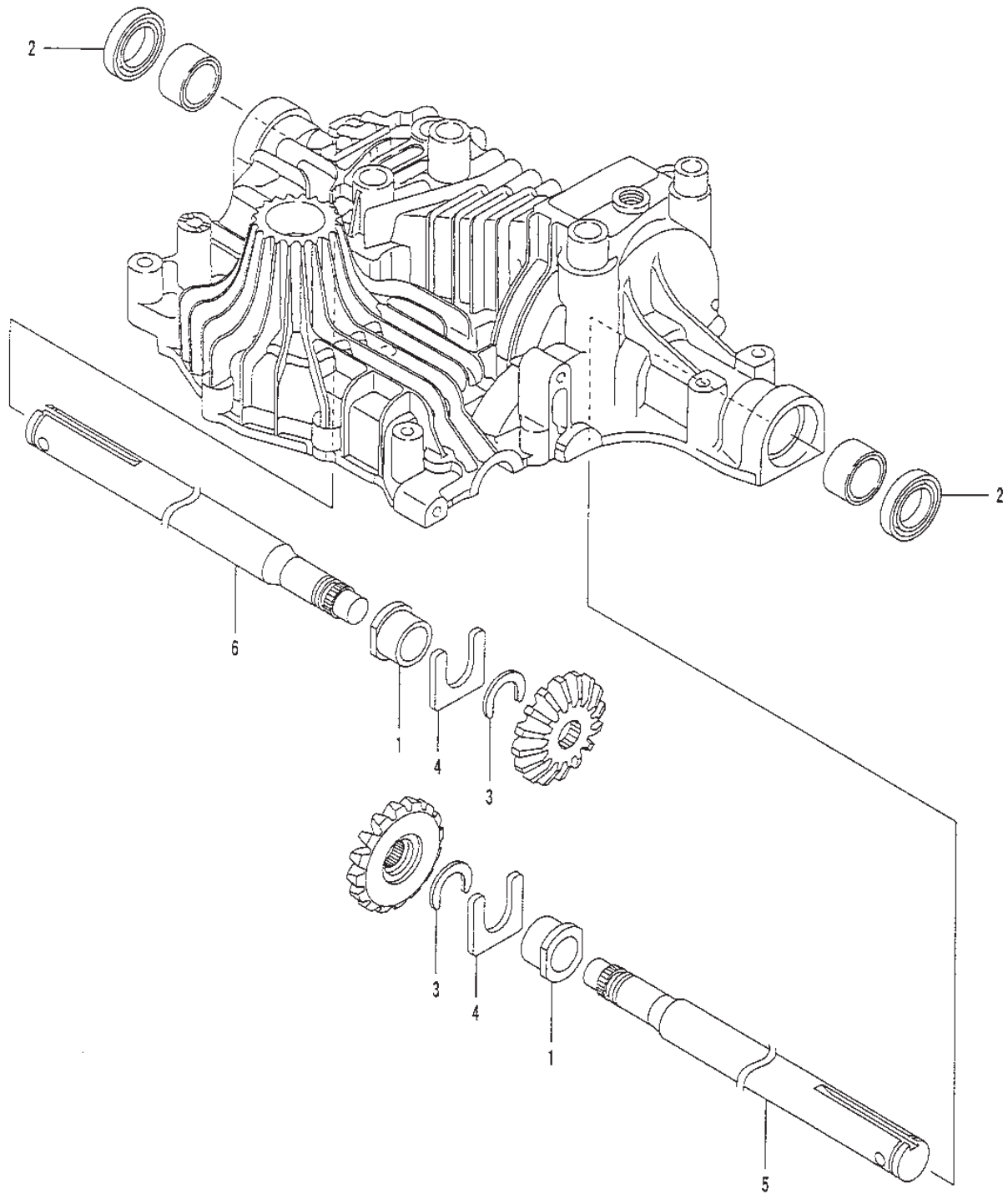
| Utgåva Issue 46 - 2014 | | Kanzaki Transaxel K-61E Neutralarm | | Kanzaki Transaxle K-61E Neutral Centering | |
|------------------------------|-------------------|------------------------------------|-----------------|-------------------------------------------|---------------------|
| Pos. Fig. | Antal Quantity | Art nr Part No | Benämning | Description | Anmärkning Notes |
| 1 | 1 | 1139-1032-01 | Vridcentrum | Fulcrum | |
| 2 | 1 | 1139-1051-01 | Reglageaxel Kpl | Control Shaft Assy | Inkl. pos. 3-4 |
| 5 | 1 | 1139-1102-01 | Bricka | Washer | |
| 6 | 1 | 1139-1114-01 | O-Ring | O-Ring | |
| 7 | 1 | 1139-1117-01 | O-Ring | O-Ring | |
| 8 | 1 | 1139-1127-01 | Mutter | Nut | |
| 9 | 1 | 1139-1052-01 | Lasring | Snap Ring | |



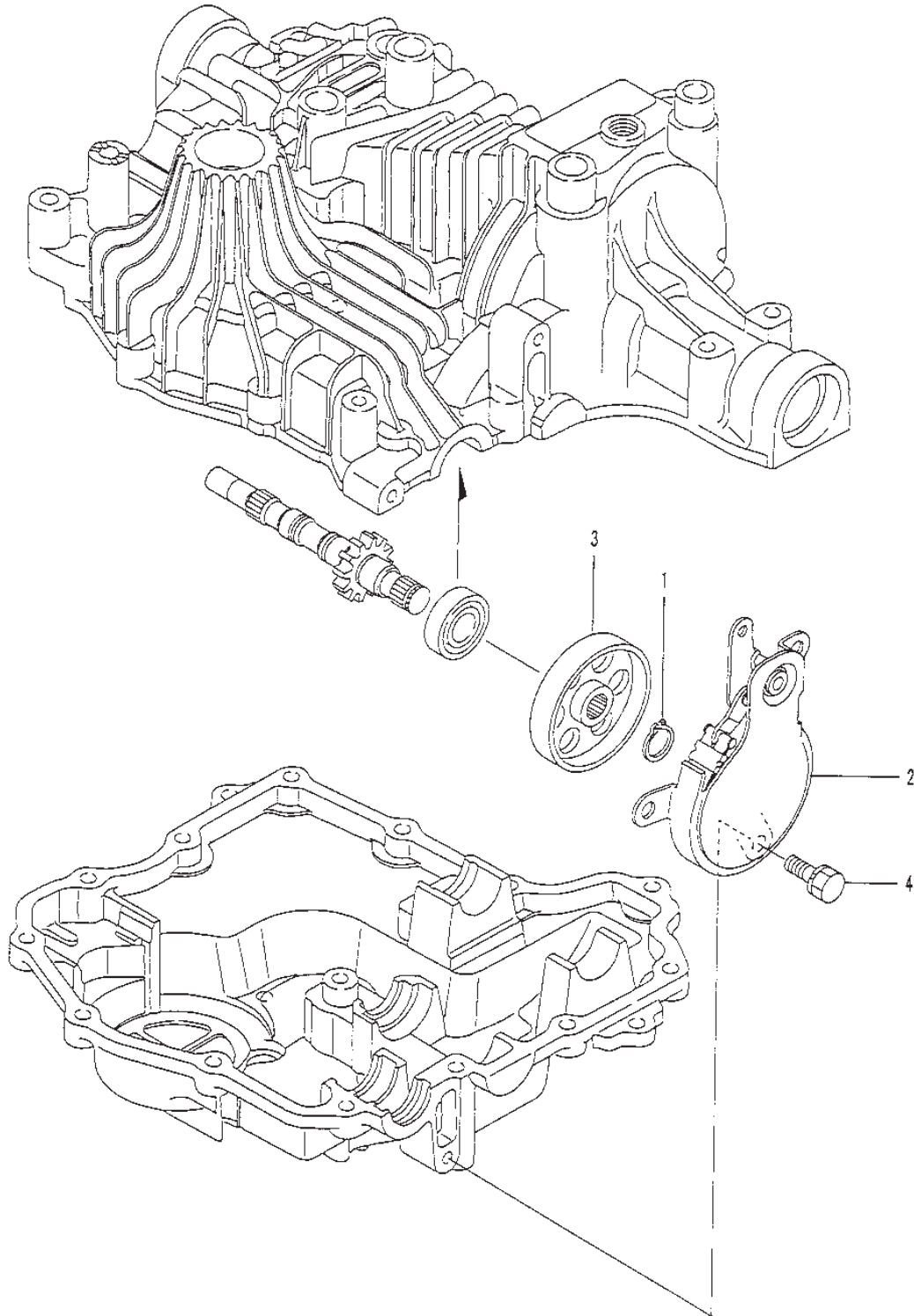
| Utgåva Issue 46 - 2014 | | Kanzaki Transaxel K-61E Differentialdrev | | Kanzaki Transaxle K-61E Differential Gear | |
|------------------------------|-------------------|------------------------------------------|----------------------|-------------------------------------------|---------------------|
| Pos. Fig. | Antal Quantity | Art nr Part No | Benämning | Description | Anmärkning Notes |
| 1 | 2 | 1139-1034-01 | Bricka | Thrust Washer | |
| 2 | 1 | 1139-1128-01 | Differentialdrevsats | Diff.Gear Kit | Inkl. pos 3-5 |
| 5 | 1 | 1139-1035-01 | Drev | Shaft Diff.Pinion | |
| 6 | 1 | 1139-1039-01 | Slutdrev | Final Gear | 55T |



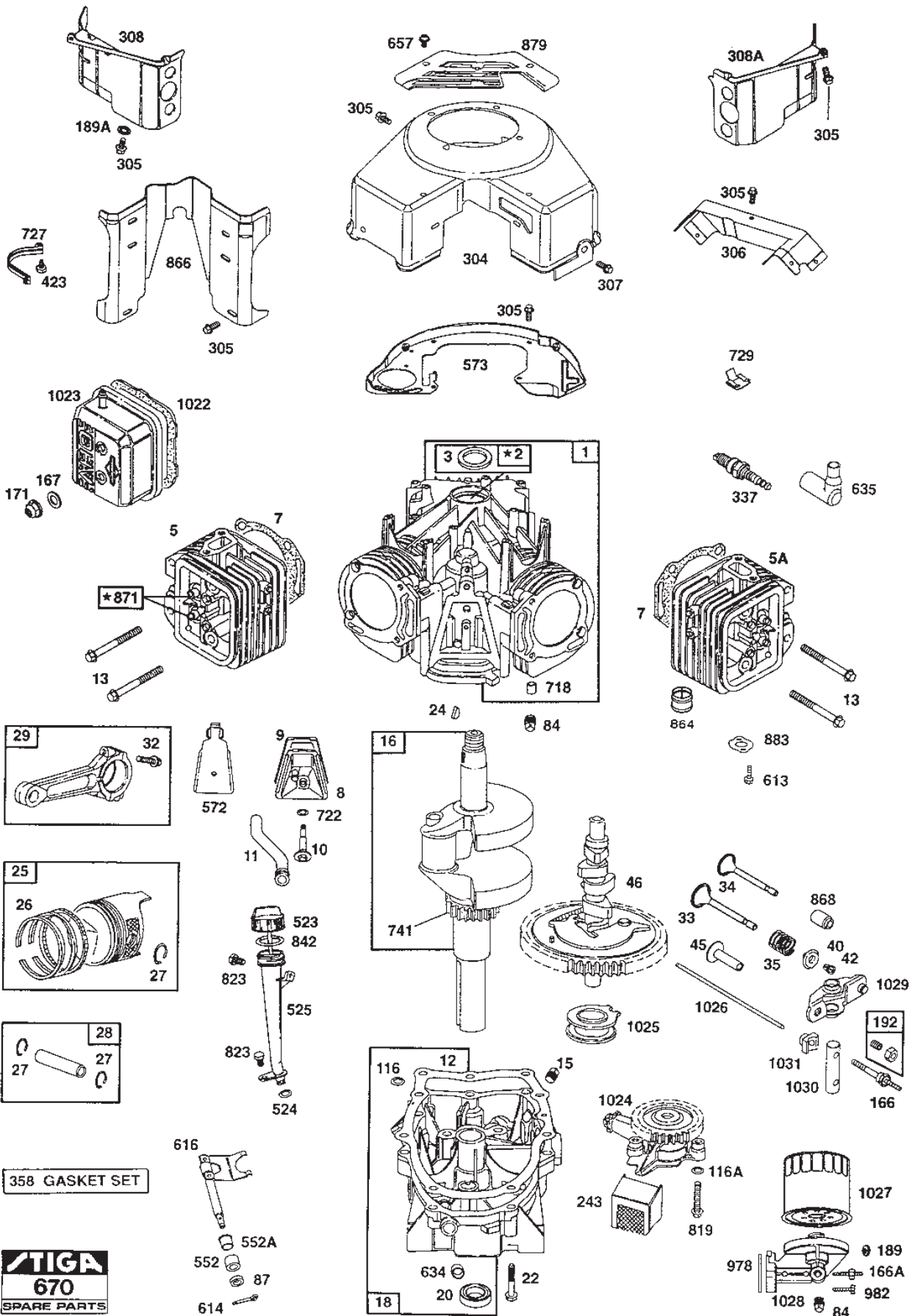
| Utgåva Issue 46 - 2014 | | Kanzaki Transaxel K-61E Slutdrev | | Kanzaki Transaxle K-61E Final Pinion | |
|------------------------------|-------------------|----------------------------------|-------------------|--------------------------------------|---------------------|
| Pos. Fig. | Antal Quantity | Art nr Part No | Benämning | Description | Anmärkning Notes |
| 1 | 1 | 1139-1036-01 | Drev | Shaft Final Pinion | |
| 2 | 1 | 1139-1037-01 | Bricka | Washer | |
| 3 | 1 | 1139-1038-01 | Bussning | Bushing | |
| 4 | 1 | 1139-1048-01 | Drev Slutaxel 41T | Gear Final Shaft 41T | 41T |
| 5 | 1 | 1139-0236-01 | Kullager | Ball Bearing | |



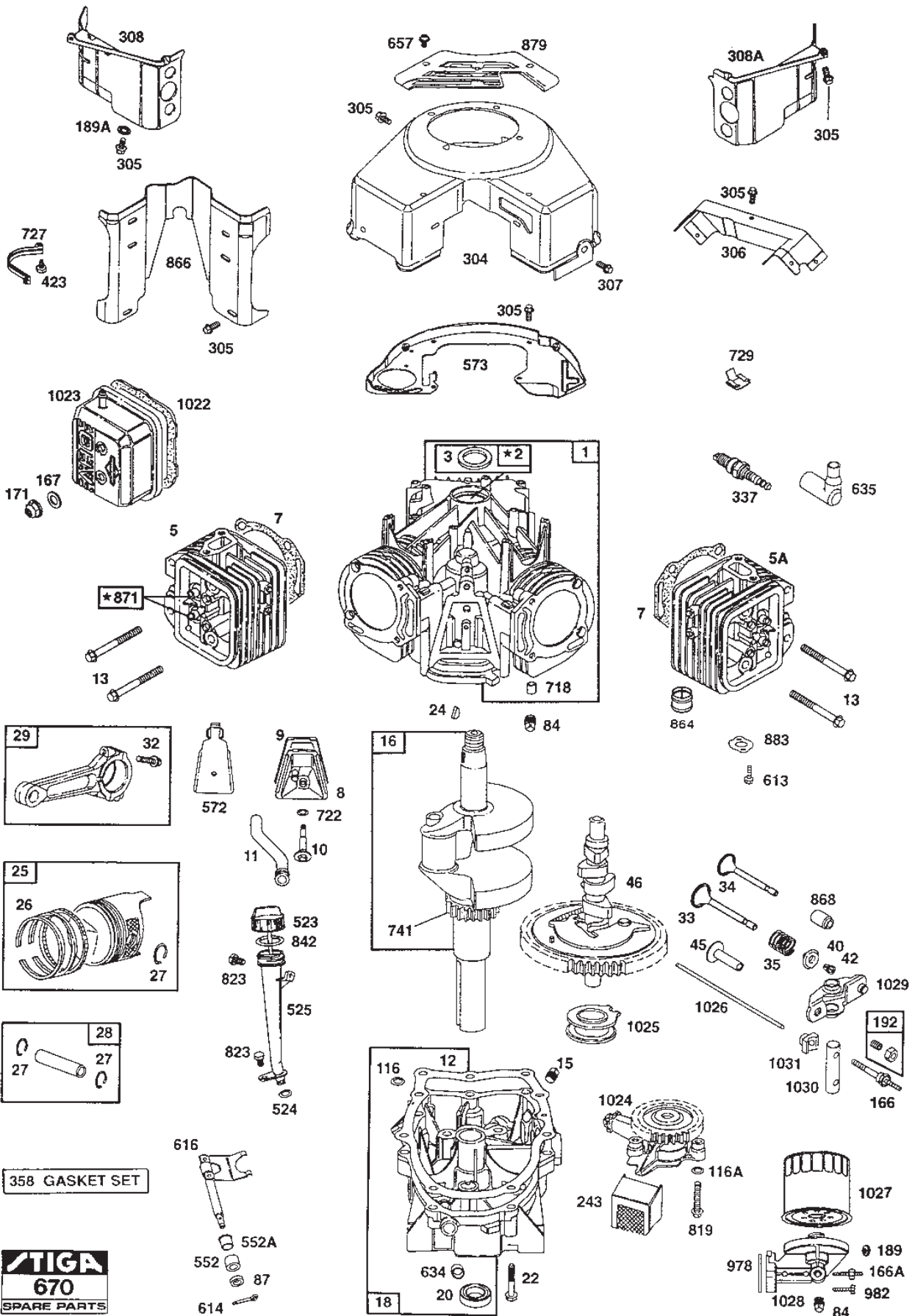
| Utgåva Issue 46 - 2014 | | Kanzaki Transaxel K-61E Hjulaxlar Kanzaki Transaxle K-61E Axle Shaft | | | |
|------------------------------|-------------------|-------------------------------------------------------------------------|-----------|------------------|---------------------|
| Pos. Fig. | Antal Quantity | Art nr Part No | Benämning | Description | Anmärkning Notes |
| 1 | 2 | 1139-1043-01 | Bussning | Bushing | |
| 2 | 2 | 1139-1044-01 | Tätning | Seal 25.4*42*8 | |
| 3 | 2 | 1139-1045-01 | Lasring | Ring | |
| 4 | 2 | 1139-1046-01 | Bricka | Thrust Washer | |
| 5 | 1 | 1139-1040-01 | Axel Vä | Axle Shaft Left | |
| 6 | 1 | 1139-1041-01 | Axel Hö | Axle Shaft Right | |
| 6 | 2 | 1139-1041-01 | Axel Hö | Axle Shaft Right | |



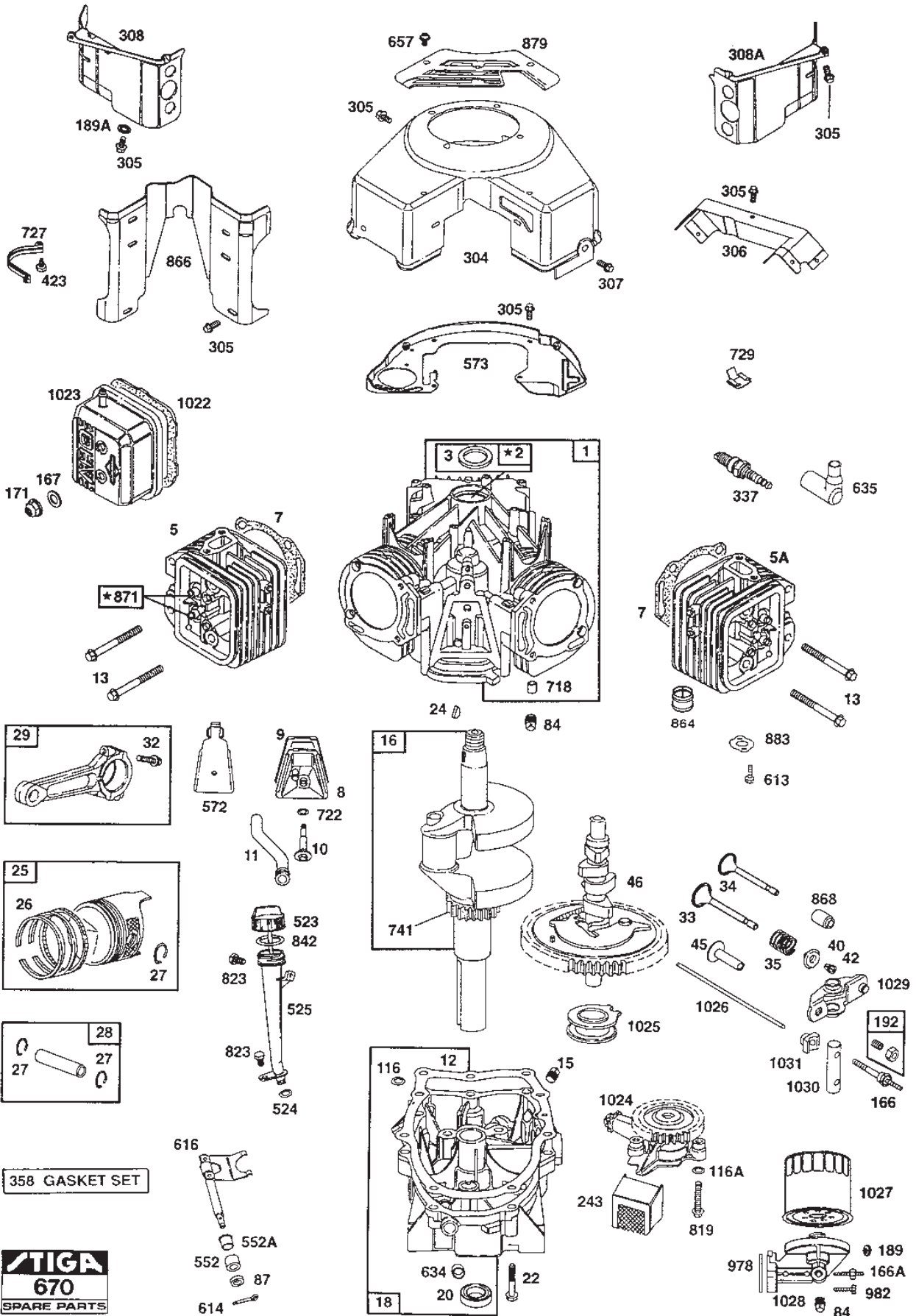
| Utgåva Issue 46 - 2014 | | Kanzaki Transaxel K-61E Broms Kanzaki Transaxle K-61E Brake | | | |
|------------------------------|-------------------|----------------------------------------------------------------|-------------|-------------|---------------------|
| Pos. Fig. | Antal Quantity | Art nr Part No | Benämning | Description | Anmärkning Notes |
| 1 | 1 | 1139-1021-01 | Lasring | Snap Ring | |
| 2 | 1 | 1139-1137-01 | Bromsband | Brake Band | |
| 3 | 1 | 1139-1047-01 | Bromstrumma | Brake Drum | |
| 4 | 3 | 1139-1122-01 | Bult | Bolt | |



| Utgåva Issue 46 - 2014 | | Cylinder Vevhus | Cylinder Crankcase | | |
|------------------------------|-------------------|-------------------|--------------------|----------------|---------------------|
| Pos. Fig. | Antal Quantity | Art nr Part No | Benämning | Description | Anmärkning Notes |
| 1 | 1 | 807787 | Cylinder | Cylinder | |
| 2 | 1 | 805687 | Bussning | Bushing | |
| 3 | 1 | 805101 | Oil seal | Oil seal | |
| 5 | 1 | 807821 | Topplöck | Cylinder Head | |
| 5 | 1 | 807822 | Topplöck | Cylinder Head | |
| 7 | 2 | 805653 | Packning | Gasket | |
| 8 | 1 | 807795 | Vevhusventilation | Breather | |
| 10 | 1 | 805751 | Skruv | Screw | |
| 11 | 1 | 805362 | Rör | Tube | |
| 12 | 1 | 805112 | Packning | Gasket | |
| 13 | 8 | 805097 | Skruv | Screw | |
| 15 | 1 | 805048 | Oil drain plug | Oil drain plug | |
| 16 | 1 | 807779 | Governor gear | Crankshaft | |
| 18 | 1 | 807638 | Crankcase | Crankcase | |
| 20 | 1 | 805049 | Oil seal | Oil seal | |
| 22 | 9 | 805696 | Skruv | Screw | |
| 24 | 1 | 806066 | Kil | Key | |
| 25 | 2 | 807888 | Kolv | Piston | STD |
| 25 | 2 | 807993 | Kolv | Piston | 0.030" oversize |
| 25 | 2 | 807992 | Kolv | Piston | 0.020" oversize |
| 25 | 2 | 807991 | Kolv | Piston | 0.010" oversize |
| 26 | 2 | 807889 | Fuel tank assy | Ring set | STD |
| 26 | 2 | 807996 | Fuel tank assy | Ring set | 0.030" oversize |
| 26 | 2 | 807995 | Belt keeper | Ring set | 0.020" oversize |
| 26 | 2 | 807994 | Fuel tank assy | Ring set | 0.010" oversize |
| 27 | 4 | 805099 | Lasring | Lock | |
| 28 | 2 | 807886 | Kolvsprint | Piston Pin | |
| 29 | 2 | 807803 | Governor gear | Connecting Rod | 0.020" undersize |
| 29 | 2 | 807900 | Bearing holder | Connecting Rod | |
| 32 | 4 | 805395 | Skruv | Screw | |
| 33 | 2 | 807681 | Exhaust valve | Exhaust valve | |
| 34 | 2 | 807680 | Insugningsventil | Intake valve | |
| 35 | 4 | 805937 | Fjäder | Spring | |
| 40 | 4 | 805092 | Retainer | Retainer | |
| 42 | 4 | 807683 | Cover | Retainer | |
| 45 | 4 | 262679 | Valve tappet | Valve tappet | |
| 46 | 1 | 807542 | Kamaxel | Camshaft | |
| 84 | 2 | 91488 | Plugg | Plug | |
| 87 | 1 | 805054 | Seal | Seal | |
| 116 | 1 | 805058 | O-ring | O-ring | |
| 116 | 2 | 805198 | O-ring | O-ring | |
| 166 | 1 | 805073 | Stud | Stud | |
| 166 | 4 | 805343 | Stud | Stud | |
| 167 | 4 | 805420 | Bricka | Washer | |
| 171 | 4 | 805019 | Mutter | Nut | |
| 189 | 1 | 806101 | Bricka | Washer | |
| 189 | 2 | 805449 | Bricka | Washer | |
| 192 | 2 | 807623 | Skruv | Screw | |
| 243 | 1 | 805964 | Oil screen | Oil screen | |



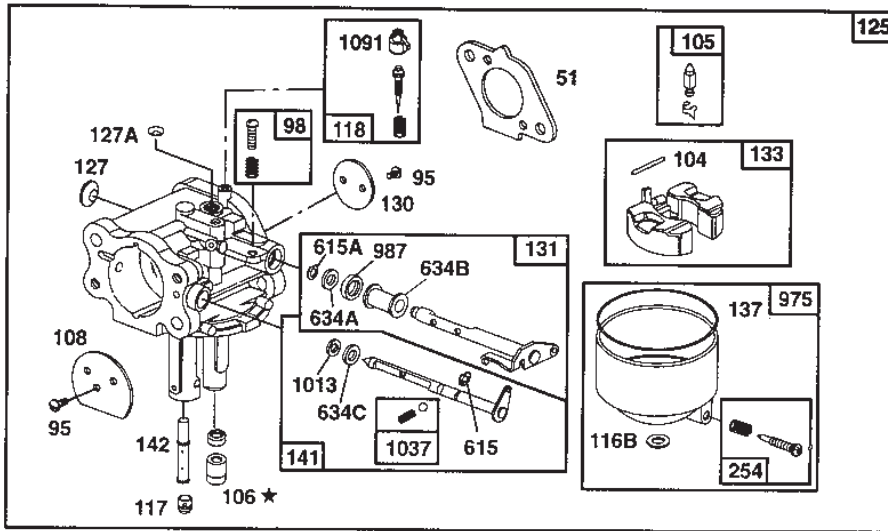
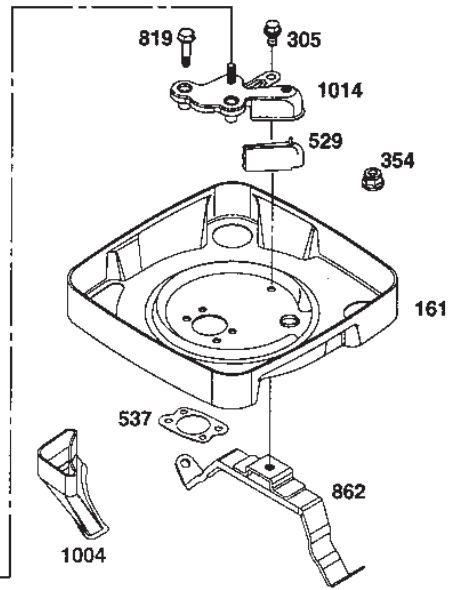
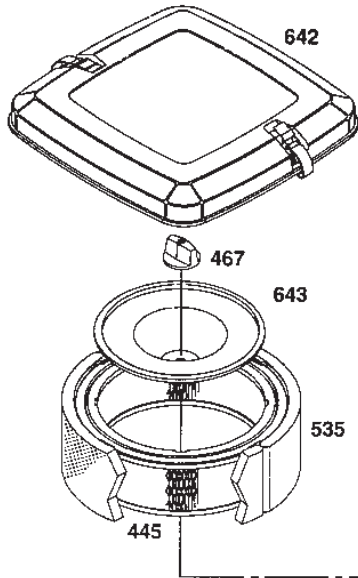
| Utgåva Issue 46 - 2014 | | Cylinder Vevhus | Cylinder Crankcase | | |
|------------------------------|-------------------|-------------------|---------------------|----------------------|---------------------|
| Pos. Fig. | Antal Quantity | Art nr Part No | Benämning | Description | Anmärkning Notes |
| 304 | 1 | 808220 | Rotor,flail | Blower housing | |
| 305 | 12 | 805026 | Skruv | Screw | |
| 306 | 1 | 807661 | Cover | Cover | |
| 307 | 2 | 805025 | Skruv | Screw | |
| 308 | 1 | 808098 | Ledplat | Air Guide | |
| 308 | 1 | 808309 | Ledplat | Air Guide | |
| 337 | 1 | 491055 | Spark plug-long thr | Spark plug-long thr. | Champion RC-12YC |
| 337 | 2 | 491055 | Spark plug-long thr | Spark plug-long thr. | Champion RC-12YC |
| 337 | 2 | 9400-0244-00 | Tändstift | Spark Plug | Champion RC-12YC |
| 358 | 1 | 807887 | Packningssats | Gasket set | Märkta/marked S |
| 423 | 2 | 805260 | Skruv | Screw | |
| 523 | 1 | 807985 | Clevis pin | Oil dipstick | |
| 524 | 1 | 805011 | Oil seal | Oil seal | |
| 525 | 1 | 807501 | Pafyllningsrör | Oil filler tube | |
| 552 | 1 | 805413 | Bussning | Bushing | |
| 552 | 1 | 805412 | Bussning | Bushing | |
| 572 | 1 | 805197 | Baffle | Baffle | |
| 573 | 1 | 807663 | Back plate | Back plate | |
| 613 | 4 | 805158 | Skruv | Screw | |
| 614 | 1 | 805417 | Saxpinne | Cotter pin | |
| 614 | 1 | 806096 | Bricka | Washer | |
| 616 | 1 | 807596 | Governor fork | Governor fork | |
| 634 | 1 | 806096 | Bricka | Washer | |
| 635 | 2 | 805529 | Tändstiftsskydd | Spark plug elbow | |
| 657 | 2 | 805009 | Skruv | Screw | |
| 718 | 2 | 805103 | Styrpinne | Dowel pin | |
| 727 | 1 | 805505 | Shield | Shield | |
| 729 | 1 | 224356 | Debris clip | Debris clip | |
| 741 | 1 | 805984 | Gear | Gear | |
| 819 | 2 | 805057 | Skruv | Screw | |
| 823 | 2 | 805317 | Skruv | Screw | |
| 842 | 1 | 270920 | Tätning | Seal | |
| 864 | 2 | 805083 | Avgasport | Exhaust port liner | |
| 866 | 1 | 805738 | Valley cover | Valley cover | |
| 868 | 4 | 805094 | Seal | Seal | |
| 871 | 4 | 805084 | Valve guide | Valve guide | |
| 879 | 1 | 805841 | Förgasarkapa | Carburettor Cover | |
| 883 | 2 | 805024 | Packning | Gasket | |
| 978 | 1 | 805250 | Packning | Gasket | |
| 982 | 2 | 805030 | Skruv | Screw | |
| 1022 | 2 | 806039 | Packning | Gasket | |
| 1023 | 2 | 805100 | Valve cover | Valve cover | |
| 1024 | 1 | 807546 | Oil pump | Oil pump | |
| 1025 | 1 | 805313 | Governor slider | Governor slider | |
| 1026 | 2 | 805352 | Stötstang (stål) | Push rod (steel) | |
| 1026 | 2 | 805617 | Stötstang (alum) | Push rod (alum) | |
| 1027 | 1 | 492932 | Oljefilter | Oil Filter | |
| 1028 | 1 | 808235 | Oljefilteradapter | Oil filter adapter | |
| 1029 | 4 | 808096 | Vipparm | Rocker arm | |



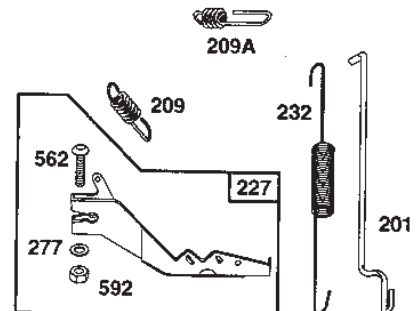
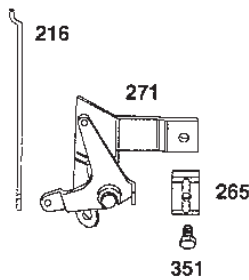
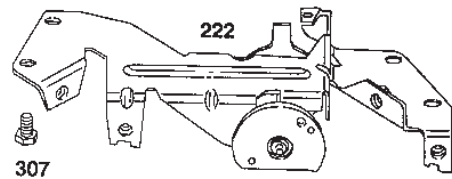
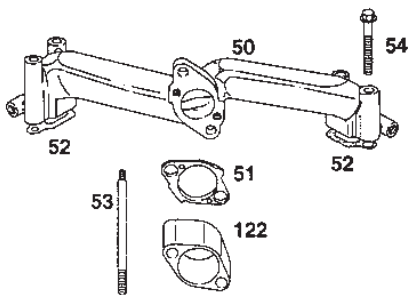
358 GASKET SET



| Utgåva Issue 46 - 2014 | | Cylinder Vevhus Cylinder Crankcase | | | |
|------------------------------|-------------------|---------------------------------------|-----------|-------------|---------------------|
| Pos. Fig. | Antal Quantity | Art nr Part No | Benämning | Description | Anmärkning Notes |
| 1030 | 2 | 805342 | Axel | Shaft | |
| 1031 | 4 | 805341 | Fäste | Support | |

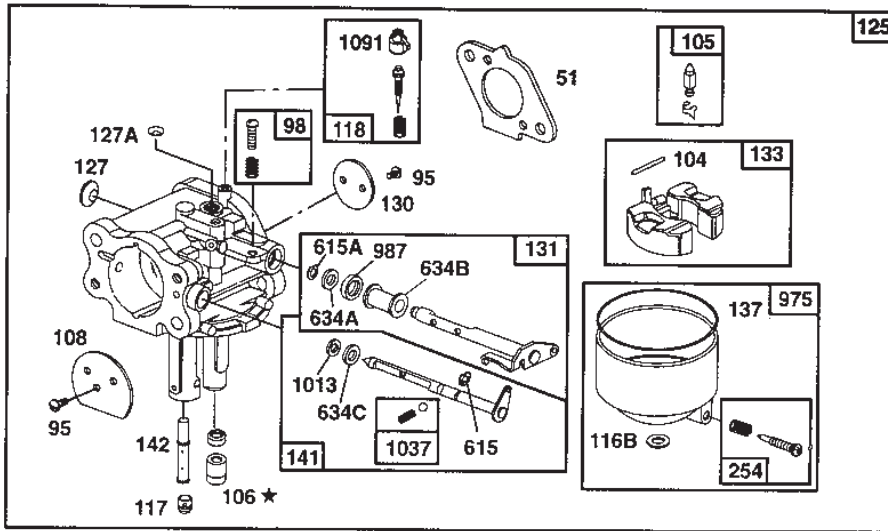
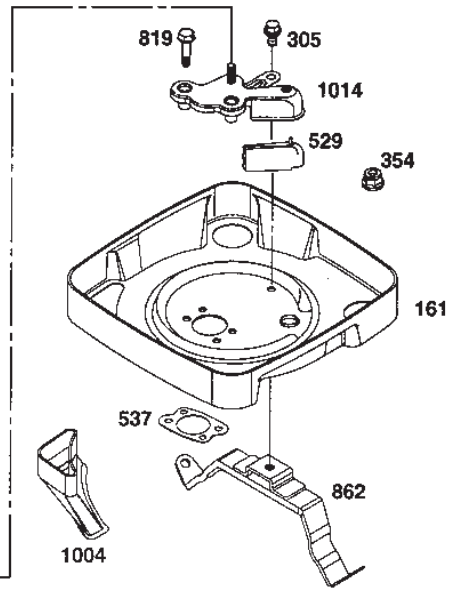
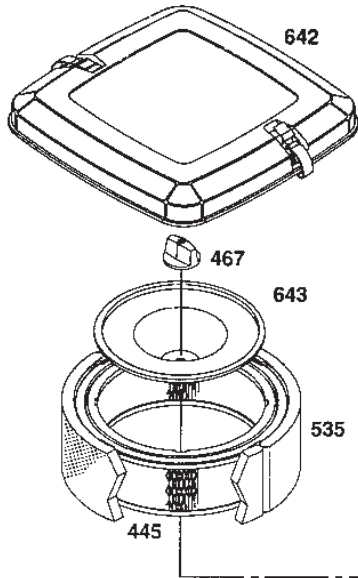


121 CARBURETOR KIT

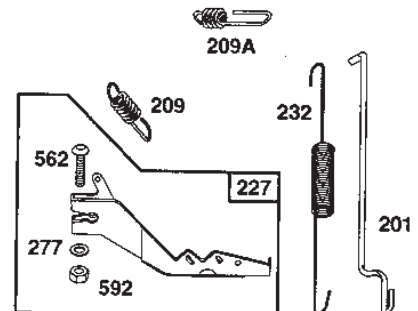
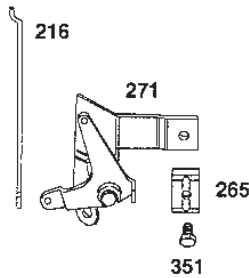
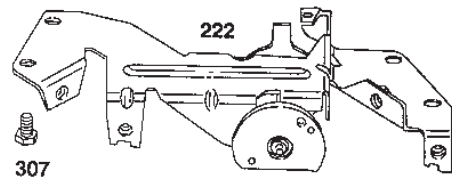
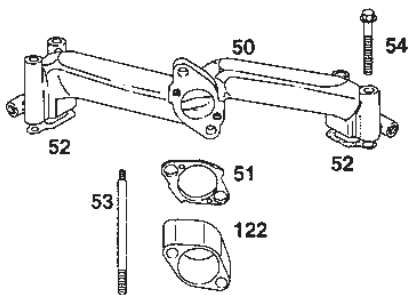


358 GASKET SET

| Utgåva Issue 46 - 2014 | | Förgasare Luftfilter | Carburettor Air Cleaner | | |
|------------------------------|-------------------|----------------------|-------------------------|-----------------------|---------------------|
| Pos. Fig. | Antal Quantity | Art nr Part No | Benämning | Description | Anmärkning Notes |
| 50 | 1 | 805772 | Insugningsrör | Intake Manifold | |
| 51 | 1 | 805700 | Packning | Gasket | |
| 52 | 2 | 805023 | Packning | Gasket | |
| 53 | 1 | 805669 | Stud | Stud | |
| 54 | 4 | 805006 | Skruv | Screw | |
| 95 | 2 | 805561 | Skruv | Screw | |
| 98 | 1 | 807705 | Skruv | Screw | |
| 104 | 1 | 805586 | Flottöraxel | Hinge pin | |
| 105 | 1 | 807706 | Exhaust valve assy | Fuel inlet valve | |
| 108 | 1 | 805562 | Choke valve | Choke valve | |
| 116 | 1 | 224531 | Packning | Gasket | |
| 117 | 1 | 806109 | Munstycke | Main jet | |
| 118 | 1 | 808374 | Justerskruv | Idle valve | |
| 121 | 1 | 807708 | Exhaust valve assy | Carburettor overhaul | Märkta/marked F |
| 122 | 1 | 805674 | Distans | Spacer | |
| 125 | 1 | 808363 | Förgasare kpl | Carburettor Assy | |
| 127 | 1 | 805571 | Welch plug | Welch plug | |
| 127 | 1 | 805570 | Welch plug | Welch plug | |
| 130 | 1 | 805572 | Gasspjäll | Throttle Valve | |
| 131 | 1 | 808375 | Spjällsaxeln | Throttle Shaft | |
| 133 | 1 | 807710 | Flottör | Float | |
| 141 | 1 | 807711 | Exhaust valve assy | Choke shaft | |
| 142 | 1 | 806110 | Nozzle | Nozzle | |
| 161 | 1 | 807857 | Luftrenarfäste | Air Cleaner Base | |
| 187 | 1 | 393815 | Bränsleledning | Fuel line | L=279 mm |
| 201 | 1 | 805480 | Governor link | Governor link | |
| 209 | 1 | 805453 | Fjäder | Spring | |
| 209 | 1 | 805461 | Fjäder | Spring | |
| 216 | 1 | 805439 | Choke link | Choke link | |
| 222 | 1 | 808195 | Fäste | Control Bracket | |
| 227 | 1 | 807528 | Governor lever | Governor lever | |
| 232 | 1 | 805465 | Fjäder | Spring | |
| 240 | 1 | 493629 | Bränslefilter | Fuel Filter | |
| 254 | 1 | 807713 | Dräneringsskruv | Drain | |
| 265 | 2 | 221535 | Klämma | Clamp | |
| 271 | 1 | 808145 | Reglagearm | Control Lever | |
| 277 | 1 | 805018 | Bricka | Washer | |
| 305 | 1 | 805026 | Skruv | Screw | |
| 307 | 6 | 805025 | Skruv | Screw | |
| 351 | 2 | 805762 | Skruv | Screw | |
| 354 | 1 | 810078 | Mutter | Nut | |
| 358 | 1 | 807989 | Packningssats | Gasket set | Märkta/marked S |
| 387 | 1 | 808322 | Cover | Fuel pump | |
| 445 | 1 | 394018 | Air cleaner cartridge | Air cleaner cartridge | |
| 467 | 1 | 491875 | Lasratt | Knob | |
| 529 | 1 | 805783 | Hylsa | Grommet | |
| 535 | 1 | 272490 | Förfilter | Pre cleaner filter | |
| 537 | 1 | 805655 | Packning | Gasket | |
| 562 | 1 | 805381 | Skruv | Screw | |

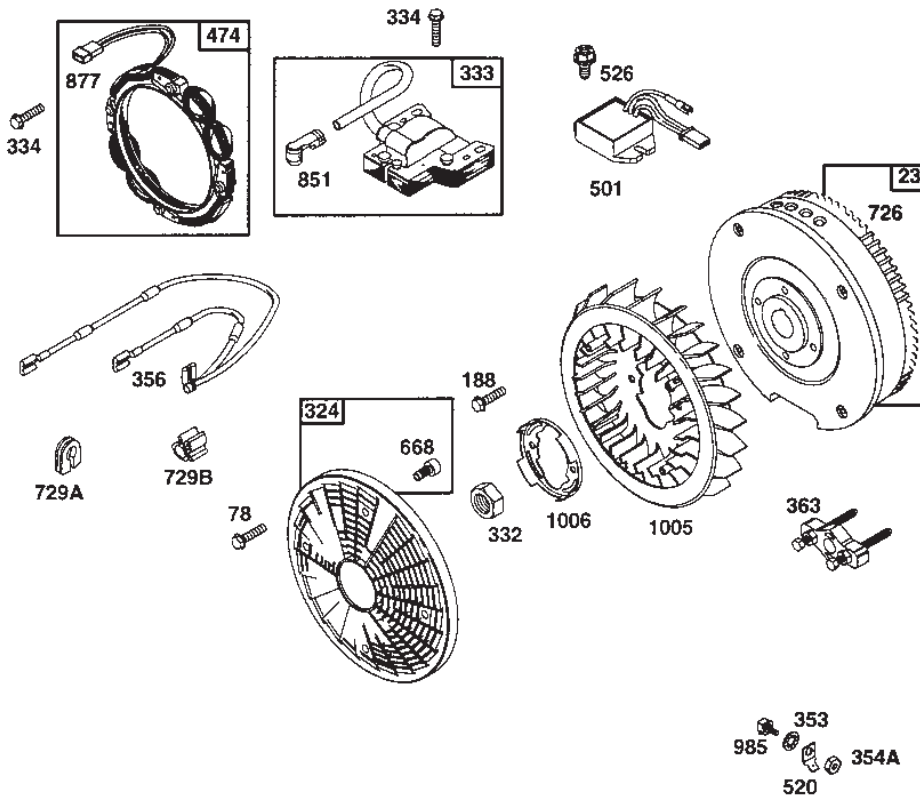
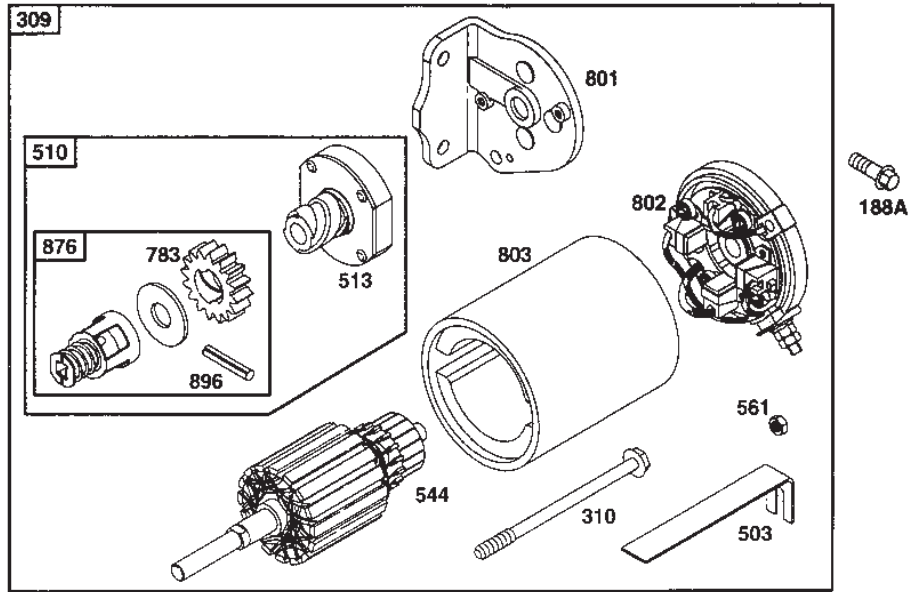


121 CARBURETOR KIT



358 GASKET SET

| Utgåva Issue 46 - 2014 | | Förgasare Luftfilter | Carburettor Air Cleaner | | |
|------------------------------|-------------------|----------------------|-------------------------|----------------|---------------------|
| Pos. Fig. | Antal Quantity | Art nr Part No | Benämning | Description | Anmärkning Notes |
| 592 | 1 | 805383 | Mutter | Nut | |
| 601 | 2 | 93053 | Slangklämma | Hose clamp | |
| 615 | 1 | 805577 | Retainer | Retainer | |
| 615 | 1 | 805578 | Retainer | Retainer | |
| 634 | 1 | 805576 | Collar | Collar | |
| 634 | 1 | 805574 | Collar | Collar | |
| 634 | 1 | 805580 | Collar | Collar | |
| 642 | 1 | 807862 | Wheel axle bolt | Cover | |
| 643 | 1 | 805631 | Plate | Plate | |
| 788 | 1 | 807685 | Fäste | Bracket | |
| 819 | 1 | 805057 | Skruv | Screw | |
| 823 | 2 | 805317 | Skruv | Screw | |
| 862 | 1 | 807859 | Fäste | Bracket | |
| 918 | 1 | 393815 | Bränsleledning | Fuel line | |
| 975 | 1 | 807715 | Cap | Bowl | |
| 987 | 1 | 806079 | Seal | Seal | |
| 1004 | 1 | 805632 | Air inlet tube | Air inlet tube | |
| 1013 | 1 | 805581 | Seal | Seal | |
| 1014 | 1 | 807963 | Deflektor | Deflector | |
| 1037 | 1 | 807717 | Kula | Ball | |
| 1091 | 1 | 805858 | Huv | Limiter cap | |



| Utgåva Issue 46 - 2014 | | Elsystem Startmotor | | Electric System Starter Motor | |
|------------------------------|-------------------|---------------------|------------------|-------------------------------|---------------------|
| Pos. Fig. | Antal Quantity | Art nr Part No | Benämning | Description | Anmärkning Notes |
| 23 | 1 | 808132 | Fuel tank | Flywheel | |
| 78 | 3 | 805447 | Skruv | Screw | |
| 188 | 2 | 805247 | Skruv | Screw | |
| 188 | 4 | 94627 | Skruv | Screw | |
| 309 | 1 | 497401 | Starter motor | Starter motor | |
| 310 | 2 | 94004 | Bult | Bolt | |
| 324 | 1 | 494439 | Nät | Screen | |
| 332 | 1 | 806028 | Mutter | Nut | |
| 333 | 1 | 492341 | Armature magneto | Armature magneto | |
| 334 | 6 | 805407 | Skruv | Screw | |
| 353 | 1 | 92791 | Bricka | Washer | |
| 354 | 1 | 90576 | Mutter | Nut | |
| 356 | 1 | 493792 | Gasreglage | Throttle Cable | |
| 363 | 1 | 19203 | Avdragare | Puller | Tillbehör/Accessory |
| 474 | 1 | 393295 | Generator | Alternator | |
| 501 | 1 | 394890 | Regulator | Regulator | |
| 503 | 1 | 806000 | Strap | Strap | |
| 510 | 1 | 495878 | Drev kpl | Drive assy | |
| 513 | 1 | 389003 | Koppling | Clutch | |
| 513 | 1 | 398003 | Koppling kpl | Clutch Ass.Y | |
| 520 | 1 | 93722 | Anslutningsbleck | Terminal | |
| 526 | 2 | 805448 | Skruv | Screw | |
| 544 | 1 | 490309 | Armature | Armature | |
| 561 | 1 | 92278 | Mutter | Nut | |
| 668 | 1 | 805402 | Distans | Spacer | |
| 726 | 1 | 807805 | Breather body | Gear | |
| 729 | 1 | 805641 | Hylsa | Grommet | |
| 729 | 1 | 280470 | Wire clip | Wire clip | |
| 783 | 1 | 280104 | Drev | Gear | |
| 801 | 1 | 394856 | Lock | Drive end cap | |
| 802 | 1 | 494988 | Bottenkapa | Commutator end cap | |
| 803 | 1 | 494205 | Hus | Housing | |
| 851 | 1 | 493880 | Terminal | Terminal | |
| 876 | 1 | 495877 | Retainer kit | Retainer kit | |
| 877 | 1 | 393456 | Connector | Connector | |
| 896 | 1 | 94288 | Stift | Roll pin | |
| 985 | 1 | 398525 | Isolator | Insulator | |
| 1005 | 1 | 808082 | Tab | Fan | |
| 1006 | 1 | 224413 | Hallare | Fan retainer | |

| code | pos. | q.ty | page | | | | | | | | | |
|--------------|------|------|-------|--------------|-----|----|-------|--------------|----|---|-------|--|
| 13-1962-11 | 37 | 1 | p. 23 | 1134-2789-01 | 85 | 1 | p. 17 | 1134-3365-01 | 20 | 1 | p. 15 | |
| 1131-1497-01 | 68 | 1 | p. 7 | 1134-2790-01 | 86 | 1 | p. 17 | 1134-3368-01 | 48 | 1 | p. 19 | |
| 1131-1506-00 | 19 | 1 | p. 13 | 1134-2816-01 | 9 | 4 | p. 21 | 1134-3371-05 | 40 | 1 | p. 3 | |
| 1134-0019-00 | 4 | 1 | p. 23 | 1134-2818-01 | 21 | 2 | p. 21 | 1134-3375-01 | 90 | 1 | p. 17 | |
| 1134-0022-00 | 19 | 1 | p. 23 | 1134-2820-01 | 15 | 1 | p. 21 | 1134-3376-01 | 50 | 2 | p. 15 | |
| 1134-0031-00 | 3 | 1 | p. 3 | 1134-2820-02 | 43 | 2 | p. 21 | 1134-3377-01 | 28 | 1 | p. 7 | |
| 1134-0041-01 | 3 | 3 | p. 21 | 1134-2820-02 | 44 | 1 | p. 21 | 1134-3378-01 | 83 | 1 | p. 17 | |
| 1134-0041-02 | 11 | 1 | p. 7 | 1134-2820-04 | 45 | 1 | p. 21 | 1134-3379-01 | 19 | 1 | p. 15 | |
| 1134-0041-02 | 11 | 4 | p. 21 | 1134-2824-01 | 16 | 10 | p. 21 | 1134-3379-01 | 23 | 1 | p. 11 | |
| 1134-0050-00 | 21 | 1 | p. 23 | 1134-2833-10 | 41 | 1 | p. 3 | 1134-3381-01 | 13 | 1 | p. 15 | |
| 1134-0051-09 | 40 | 1 | p. 11 | 1134-2837-02 | 33 | 1 | p. 21 | 1134-3383-01 | 63 | 2 | p. 17 | |
| 1134-0052-00 | 14 | 1 | p. 5 | 1134-2846-01 | 8 | 1 | p. 23 | 1134-3386-01 | 25 | 1 | p. 15 | |
| 1134-0052-00 | 36 | 1 | p. 11 | 1134-2847-01 | 7 | 1 | p. 23 | 1134-3387-01 | 63 | 1 | p. 7 | |
| 1134-0057-00 | 13 | 1 | p. 5 | 1134-2848-01 | 47 | 1 | p. 19 | 1134-3388-01 | 27 | 1 | p. 15 | |
| 1134-0075-01 | 20 | 2 | p. 3 | 1134-2849-01 | 3 | 1 | p. 13 | 1134-3389-01 | 22 | 1 | p. 15 | |
| 1134-0222-00 | 44 | 1 | p. 11 | 1134-2852-01 | 46 | 1 | p. 19 | 1134-3393-02 | 60 | 2 | p. 17 | |
| 1134-0225-00 | 62 | 4 | p. 3 | 1134-2853-01 | 45 | 1 | p. 19 | 1134-3395-01 | 80 | 1 | p. 17 | |
| 1134-0234-01 | 9 | 1 | p. 19 | 1134-2857-01 | 17 | 4 | p. 25 | 1134-3399-01 | 34 | 1 | p. 19 | |
| 1134-0240-00 | 16 | 1 | p. 15 | 1134-2857-01 | 87 | 1 | p. 19 | 1134-3411-03 | 1 | 1 | p. 3 | |
| 1134-0245-00 | 69 | 1 | p. 9 | 1134-2858-01 | 118 | 1 | p. 13 | 1134-3412-01 | 2 | 1 | p. 5 | |
| 1134-0266-00 | 35 | 1 | p. 13 | 1134-2859-01 | 117 | 1 | p. 13 | 1134-3450-02 | 23 | 1 | p. 13 | |
| 1134-0267-00 | 113 | 1 | p. 13 | 1134-2862-01 | 119 | 1 | p. 13 | 1134-3450-02 | 58 | 1 | p. 7 | |
| 1134-0341-01 | 28 | 8 | p. 3 | 1134-2866-02 | 121 | 1 | p. 13 | 1134-3451-01 | 31 | 1 | p. 15 | |
| 1134-0995-01 | 6 | 1 | p. 7 | 1134-2871-01 | 124 | 1 | p. 13 | 1134-3456-01 | 32 | 2 | p. 7 | |
| 1134-0997-01 | 5 | 1 | p. 7 | 1134-2871-03 | 8 | 1 | p. 11 | 1134-3459-01 | 10 | 1 | p. 15 | |
| 1134-1023-00 | 31 | 1 | p. 7 | 1134-2872-01 | 81 | 1 | p. 9 | 1134-3491-01 | 16 | 1 | p. 19 | |
| 1134-1184-02 | 66 | 1 | p. 7 | 1134-2877-02 | 42 | 1 | p. 7 | 1134-3496-02 | 17 | 1 | p. 19 | |
| 1134-1192-22 | 9 | 1 | p. 3 | 1134-2878-01 | 1 | 1 | p. 7 | 1134-3540-01 | 9 | 3 | p. 5 | |
| 1134-1322-01 | 55 | 1 | p. 11 | 1134-2888-02 | 22 | 2 | p. 3 | 1134-3546-01 | 47 | 1 | p. 3 | |
| 1134-1466-01 | 67 | 1 | p. 19 | 1134-2892-01 | 32 | 1 | p. 19 | 1134-3547-01 | 42 | 3 | p. 21 | |
| 1134-1565-01 | 25 | 1 | p. 11 | 1134-2899-03 | 5 | 1 | p. 5 | 1134-3550-01 | 46 | 2 | p. 21 | |
| 1134-1650-01 | 9 | 2 | p. 23 | 1134-2902-01 | 18 | 1 | p. 25 | 1134-3552-01 | 30 | 1 | p. 15 | |
| 1134-1711-01 | 31 | 2 | p. 23 | 1134-2902-02 | 20 | 1 | p. 25 | 1134-3565-01 | 47 | 4 | p. 21 | |
| 1134-1730-01 | 46 | 1 | p. 11 | 1134-2941-01 | 43 | 2 | p. 7 | 1134-3583-01 | 8 | 1 | p. 15 | |
| 1134-1757-07 | 2 | 1 | p. 3 | 1134-2944-01 | 32 | 1 | p. 5 | 1134-3584-01 | 17 | 1 | p. 13 | |
| 1134-1769-02 | 37 | 1 | p. 11 | 1134-2948-01 | 11 | 1 | p. 19 | 1134-3584-01 | 62 | 1 | p. 7 | |
| 1134-1770-01 | 48 | 1 | p. 11 | 1134-2951-01 | 20 | 1 | p. 5 | 1134-3584-01 | 73 | 1 | p. 17 | |
| 1134-1814-01 | 44 | 1 | p. 19 | 1134-2961-01 | 30 | 2 | p. 23 | 1134-3593-01 | 41 | 1 | p. 7 | |
| 1134-1883-01 | 18 | 1 | p. 23 | 1134-2962-01 | 12 | 1 | p. 19 | 1134-3631-01 | 16 | 1 | p. 19 | |
| 1134-1888-01 | 47 | 2 | p. 11 | 1134-2975-04 | 48 | 1 | p. 7 | 1134-3638-01 | 2 | 1 | p. 11 | |
| 1134-1889-01 | 30 | 1 | p. 7 | 1134-3022-01 | 4 | 2 | p. 21 | 1134-3646-01 | 43 | 1 | p. 25 | |
| 1134-1893-01 | 52 | 1 | p. 11 | 1134-3084-01 | 32 | 1 | p. 21 | 1134-3647-01 | 24 | 1 | p. 25 | |
| 1134-1966-03 | 24 | 1 | p. 21 | 1134-3085-01 | 29 | 1 | p. 21 | 1134-3652-01 | 42 | 1 | p. 25 | |
| 1134-1975-12 | 78 | 1 | p. 9 | 1134-3156-02 | 65 | 1 | p. 19 | 1134-3654-01 | 60 | 1 | p. 11 | |
| 1134-2021-01 | 77 | 1 | p. 17 | 1134-3203-02 | 39 | 1 | p. 25 | 1134-3658-01 | 27 | 1 | p. 11 | |
| 1134-2053-04 | 29 | 1 | p. 5 | 1134-3203-04 | 23 | 1 | p. 25 | 1134-3662-01 | 34 | 1 | p. 15 | |
| 1134-2151-02 | 67 | 1 | p. 7 | 1134-3203-05 | 19 | 1 | p. 19 | 1134-3663-01 | 30 | 1 | p. 11 | |
| 1134-2163-01 | 2 | 1 | p. 23 | 1134-3215-01 | 28 | 1 | p. 5 | 1134-3664-01 | 1 | 1 | p. 15 | |
| 1134-2166-01 | 3 | 1 | p. 23 | 1134-3224-01 | 46 | 1 | p. 7 | 1134-3689-01 | 50 | 1 | p. 19 | |
| 1134-2171-01 | 1 | 1 | p. 5 | 1134-3225-01 | 47 | 1 | p. 7 | 1134-3690-01 | 22 | 1 | p. 25 | |
| 1134-2174-01 | 60 | 1 | p. 3 | 1134-3251-02 | 62 | 1 | p. 19 | 1134-3691-01 | 44 | 1 | p. 25 | |
| 1134-2174-02 | 61 | 1 | p. 3 | 1134-3259-01 | 45 | 1 | p. 7 | 1134-3692-01 | 45 | 1 | p. 25 | |
| 1134-2215-01 | 27 | 1 | p. 5 | 1134-3286-01 | 36 | 1 | p. 23 | 1134-3693-01 | 46 | 1 | p. 25 | |
| 1134-2310-01 | 10 | 1 | p. 19 | 1134-3300-01 | 33 | 1 | p. 19 | 1134-3704-01 | 8 | 1 | p. 13 | |
| 1134-2333-02 | 8 | 1 | p. 19 | 1134-3305-03 | 1 | 1 | p. 25 | 1134-3706-01 | 2 | 1 | p. 13 | |
| 1134-2454-01 | 22 | 1 | p. 23 | 1134-3309-01 | 5 | 1 | p. 25 | 1134-3710-01 | 48 | 2 | p. 3 | |
| 1134-2700-01 | 5 | 2 | p. 13 | 1134-3310-01 | 6 | 1 | p. 25 | 1134-3712-01 | 3 | 1 | p. 11 | |
| 1134-2765-02 | 41 | 1 | p. 15 | 1134-3313-01 | 7 | 1 | p. 25 | 1134-3714-01 | 13 | 1 | p. 25 | |
| 1134-2766-02 | 12 | 1 | p. 13 | 1134-3317-01 | 3 | 1 | p. 25 | 1134-3732-01 | 66 | 1 | p. 19 | |
| 1134-2766-02 | 74 | 1 | p. 17 | 1134-3320-01 | 9 | 1 | p. 25 | 1134-3733-01 | 70 | 2 | p. 19 | |
| 1134-2777-02 | 42 | 1 | p. 15 | 1134-3329-01 | 19 | 1 | p. 25 | 1134-3734-01 | 43 | 1 | p. 15 | |
| 1134-2778-01 | 44 | 1 | p. 15 | 1134-3329-02 | 19 | 1 | p. 25 | 1134-3758-01 | 52 | 1 | p. 3 | |
| 1134-2779-02 | 23 | 1 | p. 15 | 1134-3329-03 | 88 | 1 | p. 19 | 1134-3800-01 | 1 | 1 | p. 23 | |
| 1134-2780-01 | 4 | 2 | p. 13 | 1134-3331-01 | 16 | 1 | p. 25 | 1134-3817-01 | 21 | 2 | p. 21 | |
| 1134-2782-01 | 29 | 1 | p. 19 | 1134-3332-01 | 36 | 1 | p. 25 | 1134-3836-01 | 22 | 1 | p. 15 | |
| 1134-2786-01 | 84 | 1 | p. 17 | 1134-3355-01 | 4 | 1 | p. 7 | 1134-3855-01 | 92 | 1 | p. 9 | |
| | | | | 1134-3363-01 | 13 | 1 | p. 3 | 1134-3856-01 | 91 | 1 | p. 9 | |

| code | pos. | q.ty | page | | | | | | | | | |
|--------------|------|------|-------|--------------|-----|---|-------|--------------|-----|----|-------|--|
| 1134-3857-01 | 13 | 1 | p. 7 | 1139-1037-01 | 2 | 1 | p. 41 | 9547-0001-00 | 3 | 2 | p. 5 | |
| 1134-3860-01 | 94 | 1 | p. 9 | 1139-1038-01 | 3 | 1 | p. 41 | 9549-0017-00 | 30 | 2 | p. 21 | |
| 1134-3863-01 | 90 | 1 | p. 9 | 1139-1039-01 | 6 | 1 | p. 39 | 9549-0019-00 | 41 | 2 | p. 11 | |
| 1134-3864-01 | 15 | 1 | p. 7 | 1139-1040-01 | 5 | 1 | p. 43 | 9549-0036-00 | 24 | 2 | p. 3 | |
| 1134-3868-01 | 21 | 1 | p. 7 | 1139-1041-01 | 6 | 1 | p. 43 | 9570-0001-00 | 52 | 1 | p. 13 | |
| 1134-3871-02 | 10 | 1 | p. 23 | 1139-1041-01 | 6 | 2 | p. 43 | 9570-0001-00 | 75 | 1 | p. 17 | |
| 1134-3875-01 | 75 | 1 | p. 19 | 1139-1043-01 | 1 | 2 | p. 43 | 9578-0011-00 | 18 | 1 | p. 7 | |
| 1134-3876-01 | 16 | 1 | p. 23 | 1139-1044-01 | 2 | 2 | p. 43 | 9578-0021-00 | 24 | 2 | p. 15 | |
| 1134-3878-01 | 14 | 1 | p. 23 | 1139-1045-01 | 3 | 2 | p. 43 | 9578-0023-00 | 24 | 2 | p. 15 | |
| 1134-3878-02 | 15 | 1 | p. 23 | 1139-1046-01 | 4 | 2 | p. 43 | 9578-0023-02 | 49 | 2 | p. 7 | |
| 1134-3879-01 | 17 | 1 | p. 23 | 1139-1047-01 | 3 | 1 | p. 45 | 9578-0023-03 | 98 | 1 | p. 9 | |
| 1134-3889-01 | 93 | 1 | p. 9 | 1139-1048-01 | 4 | 1 | p. 41 | 9579-0003-00 | 20 | 1 | p. 7 | |
| 1134-3895-01 | 44 | 1 | p. 7 | 1139-1049-02 | 9 | 1 | p. 33 | 9579-0003-00 | 28 | 10 | p. 19 | |
| 1134-3924-01 | 99 | 1 | p. 5 | 1139-1049-03 | 9 | 1 | p. 33 | 9579-0003-00 | 31 | 4 | p. 25 | |
| 1134-3939-01 | 12 | 1 | p. 25 | 1139-1050-01 | 20 | 2 | p. 27 | 9579-0003-00 | 47 | 1 | p. 15 | |
| 1134-3974-01 | 19 | 1 | p. 13 | 1139-1051-01 | 2 | 1 | p. 37 | 9595-0160-00 | 5 | 1 | p. 23 | |
| 1134-3974-01 | 61 | 1 | p. 7 | 1139-1052-01 | 9 | 1 | p. 37 | 9595-0210-00 | 4 | 1 | p. 25 | |
| 1134-9024-01 | 2 | 1 | p. 25 | 1139-1102-01 | 5 | 1 | p. 37 | 9595-0235-00 | 14 | 1 | p. 13 | |
| 1134-9024-01 | 24 | 1 | p. 13 | 1139-1103-01 | 11 | 1 | p. 27 | 9595-0258-00 | 21 | 2 | p. 3 | |
| 1134-9024-01 | 59 | 1 | p. 7 | 1139-1104-01 | 12 | 1 | p. 27 | 9595-0258-00 | 26 | 1 | p. 15 | |
| 1134-9028-01 | 6 | 1 | p. 5 | 1139-1106-01 | 22 | 1 | p. 35 | 9595-0262-00 | 4 | 1 | p. 3 | |
| 1134-9028-01 | 24 | 1 | p. 5 | 1139-1107-01 | 29 | 1 | p. 29 | 9595-0262-00 | 25 | 1 | p. 21 | |
| 1134-9037-01 | 9 | 1 | p. 15 | 1139-1110-01 | 11 | 1 | p. 31 | 9595-0280-00 | 8 | 2 | p. 25 | |
| 1134-9047-01 | 57 | 1 | p. 11 | 1139-1110-01 | 13 | 1 | p. 33 | 9599-0080-02 | 29 | 4 | p. 3 | |
| 1139-0223-01 | 1 | 1 | p. 27 | 1139-1112-01 | 13 | 1 | p. 35 | 9599-0083-02 | 28 | 2 | p. 25 | |
| 1139-0236-01 | 5 | 1 | p. 41 | 1139-1113-01 | 30 | 1 | p. 29 | 9600-0251-00 | 19 | 1 | p. 7 | |
| 1139-0244-01 | 16 | 11 | p. 27 | 1139-1114-01 | 6 | 1 | p. 37 | 9632-0516-00 | 31 | 3 | p. 5 | |
| 1139-1001-01 | 21 | 1 | p. 15 | 1139-1115-01 | 31 | 1 | p. 29 | 9650-0015-04 | 33 | 2 | p. 15 | |
| 1139-1004-01 | 1 | 1 | p. 33 | 1139-1117-01 | 7 | 1 | p. 37 | 9651-0040-04 | 38 | 2 | p. 11 | |
| 1139-1004-02 | 1 | 1 | p. 33 | 1139-1119-01 | 13 | 1 | p. 27 | 9665-0002-00 | 17 | 1 | p. 15 | |
| 1139-1005-01 | 2 | 1 | p. 33 | 1139-1120-01 | 14 | 1 | p. 27 | 9672-0004-02 | 20 | 2 | p. 23 | |
| 1139-1006-01 | 7 | 1 | p. 27 | 1139-1121-01 | 27 | 2 | p. 29 | 9672-0006-02 | 23 | 2 | p. 23 | |
| 1139-1007-01 | 8 | 1 | p. 27 | 1139-1122-01 | 4 | 3 | p. 45 | 9675-0008-02 | 29 | 1 | p. 7 | |
| 1139-1008-01 | 3 | 2 | p. 29 | 1139-1123-01 | 15 | 1 | p. 27 | 9675-0012-02 | 37 | 1 | p. 15 | |
| 1139-1009-01 | 2 | 1 | p. 29 | 1139-1125-01 | 32 | 3 | p. 29 | 9675-0012-02 | 89 | 1 | p. 17 | |
| 1139-1009-02 | 2 | 1 | p. 29 | 1139-1126-01 | 17 | 2 | p. 27 | 9695-0011-00 | 34 | 1 | p. 21 | |
| 1139-1011-01 | 5 | 1 | p. 29 | 1139-1127-01 | 8 | 1 | p. 37 | 9699-0002-02 | 46 | 1 | p. 15 | |
| 1139-1012-01 | 16 | 1 | p. 29 | 1139-1128-01 | 2 | 1 | p. 39 | 9699-0028-02 | 36 | 1 | p. 15 | |
| 1139-1013-01 | 6 | 1 | p. 29 | 1139-1129-01 | 21 | 1 | p. 27 | 9699-0028-02 | 38 | 3 | p. 15 | |
| 1139-1013-01 | 18 | 1 | p. 29 | 1139-1130-01 | 19 | 1 | p. 27 | 9699-0028-02 | 82 | 1 | p. 9 | |
| 1139-1014-01 | 7 | 1 | p. 29 | 1139-1131-01 | 18 | 1 | p. 27 | 9699-0035-02 | 8 | 5 | p. 21 | |
| 1139-1014-01 | 19 | 1 | p. 29 | 1139-1132-01 | 2 | 1 | p. 27 | 9699-0035-02 | 11 | 1 | p. 3 | |
| 1139-1015-01 | 1 | 1 | p. 29 | 1139-1133-01 | 3 | 1 | p. 27 | 9699-0037-02 | 27 | 2 | p. 25 | |
| 1139-1016-01 | 28 | 1 | p. 29 | 1139-1134-01 | 6 | 1 | p. 27 | 9699-0042-02 | 30 | 2 | p. 3 | |
| 1139-1018-01 | 8 | 1 | p. 31 | 1139-1135-01 | 1 | 1 | p. 31 | 9699-0056-02 | 35 | 1 | p. 11 | |
| 1139-1018-01 | 10 | 1 | p. 33 | 1139-1136-01 | 3 | 1 | p. 33 | 9699-0056-02 | 64 | 2 | p. 3 | |
| 1139-1019-01 | 9 | 2 | p. 31 | 1139-1137-01 | 2 | 1 | p. 45 | 9699-0062-02 | 12 | 4 | p. 23 | |
| 1139-1019-01 | 11 | 1 | p. 33 | 1139-1139-01 | 2 | 1 | p. 31 | 9699-0062-02 | 32 | 2 | p. 23 | |
| 1139-1020-02 | 7 | 1 | p. 31 | 1139-1139-01 | 4 | 1 | p. 33 | 9699-0062-02 | 53 | 2 | p. 11 | |
| 1139-1021-01 | 1 | 1 | p. 45 | 1139-1140-01 | 1 | 1 | p. 33 | 9699-0062-02 | 83 | 1 | p. 9 | |
| 1139-1021-01 | 10 | 3 | p. 31 | 1139-1140-01 | 2 | 1 | p. 29 | 9699-0087-02 | 8 | 2 | p. 5 | |
| 1139-1021-01 | 12 | 2 | p. 33 | 9400-0063-00 | 69 | 1 | p. 19 | 9699-0087-02 | 11 | 2 | p. 13 | |
| 1139-1022-01 | 1 | 2 | p. 35 | 9400-0064-02 | 7 | 1 | p. 19 | 9699-0087-02 | 25 | 1 | p. 5 | |
| 1139-1023-01 | 2 | 1 | p. 35 | 9400-0075-00 | 68 | 1 | p. 19 | 9699-0090-02 | 22 | 2 | p. 21 | |
| 1139-1024-01 | 5 | 1 | p. 35 | 9400-0231-00 | 29 | 2 | p. 25 | 9699-0099-02 | 3 | 4 | p. 7 | |
| 1139-1025-01 | 6 | 1 | p. 35 | 9400-0244-00 | 337 | 2 | p. 49 | 9699-0099-02 | 49 | 2 | p. 3 | |
| 1139-1026-01 | 7 | 1 | p. 35 | 9400-0284-01 | 34 | 2 | p. 25 | 9699-0103-02 | 26 | 1 | p. 21 | |
| 1139-1027-01 | 8 | 1 | p. 35 | 9403-0035-10 | 79 | 1 | p. 9 | 9699-0109-02 | 43 | 1 | p. 11 | |
| 1139-1028-01 | 9 | 1 | p. 35 | 9404-0020-00 | 7 | 1 | p. 7 | 9699-0114-02 | 26 | 1 | p. 21 | |
| 1139-1029-01 | 10 | 1 | p. 35 | 9405-0029-00 | 30 | 3 | p. 5 | 9712-1031-02 | 11 | 1 | p. 25 | |
| 1139-1030-01 | 11 | 1 | p. 35 | 9501-0500-00 | 4 | 2 | p. 5 | 9739-0531-22 | 10 | 1 | p. 11 | |
| 1139-1031-01 | 21 | 1 | p. 35 | 9501-0500-00 | 5 | 1 | p. 3 | 9739-0531-22 | 10 | 2 | p. 13 | |
| 1139-1032-01 | 1 | 1 | p. 37 | 9501-0502-00 | 6 | 1 | p. 3 | 9739-0531-22 | 31 | 1 | p. 19 | |
| 1139-1034-01 | 1 | 2 | p. 39 | 9545-0116-00 | 25 | 2 | p. 3 | 9739-0531-22 | 76 | 2 | p. 17 | |
| 1139-1035-01 | 5 | 1 | p. 39 | 9545-0116-00 | 61 | 2 | p. 17 | 9739-0531-22 | 108 | 5 | p. 13 | |
| 1139-1036-01 | 1 | 1 | p. 41 | 9545-0500-00 | 27 | 2 | p. 3 | 9739-0631-22 | 15 | 1 | p. 15 | |
| | | | | 9545-0500-00 | 62 | 2 | p. 17 | 9739-0631-22 | 61 | 2 | p. 11 | |

| code | pos. | q.ty | page | | | | | | | | | | |
|--------------|------|------|-------|--------------|------|---|-------|--------|------|----|-------|--|--|
| 9739-0631-22 | 64 | 2 | p. 19 | 9959-0816-16 | 50 | 2 | p. 13 | 393815 | 918 | 1 | p. 55 | | |
| 9739-0631-22 | 92 | 1 | p. 17 | 9959-0816-16 | 64 | 1 | p. 7 | 394018 | 445 | 1 | p. 53 | | |
| 9739-0831-22 | 1 | 2 | p. 11 | 9959-0816-16 | 81 | 2 | p. 17 | 394856 | 801 | 1 | p. 57 | | |
| 9739-0831-22 | 5 | 2 | p. 11 | 9959-0816-16 | 87 | 1 | p. 17 | 394890 | 501 | 1 | p. 57 | | |
| 9739-0831-22 | 7 | 7 | p. 13 | 9959-0816-16 | 96 | 1 | p. 9 | 398003 | 513 | 1 | p. 57 | | |
| 9739-0831-22 | 11 | 2 | p. 5 | 9959-0816-16 | 103 | 1 | p. 13 | 398525 | 985 | 1 | p. 57 | | |
| 9739-0831-22 | 12 | 4 | p. 7 | 9959-0820-16 | 4 | 2 | p. 11 | 490309 | 544 | 1 | p. 57 | | |
| 9739-0831-22 | 17 | 1 | p. 7 | 9959-0820-16 | 6 | 2 | p. 13 | 491055 | 337 | 1 | p. 49 | | |
| 9739-0831-22 | 18 | 1 | p. 15 | 9959-0820-16 | 12 | 2 | p. 5 | 491055 | 337 | 2 | p. 49 | | |
| 9739-0831-22 | 23 | 2 | p. 7 | 9959-0820-16 | 22 | 2 | p. 7 | 491875 | 467 | 1 | p. 53 | | |
| 9739-0831-22 | 40 | 1 | p. 15 | 9959-0820-16 | 46 | 4 | p. 3 | 492341 | 333 | 1 | p. 57 | | |
| 9739-0831-22 | 44 | 6 | p. 3 | 9959-0820-16 | 48 | 1 | p. 15 | 492932 | 1027 | 1 | p. 49 | | |
| 9739-0831-22 | 65 | 1 | p. 7 | 9959-1020-16 | 12 | 1 | p. 3 | 493629 | 240 | 1 | p. 53 | | |
| 9739-0831-22 | 70 | 1 | p. 9 | 9959-1020-16 | 25 | 2 | p. 25 | 493792 | 356 | 1 | p. 57 | | |
| 9739-0831-22 | 82 | 2 | p. 17 | 9959-1025-16 | 10 | 1 | p. 25 | 493880 | 851 | 1 | p. 57 | | |
| 9739-0831-22 | 88 | 1 | p. 17 | 9959-1025-16 | 15 | 1 | p. 5 | 494205 | 803 | 1 | p. 57 | | |
| 9739-0831-22 | 97 | 1 | p. 9 | 9959-1025-16 | 45 | 1 | p. 11 | 494439 | 324 | 1 | p. 57 | | |
| 9739-1031-22 | 7 | 3 | p. 21 | 9987-5357-12 | 2 | 1 | p. 15 | 494988 | 802 | 1 | p. 57 | | |
| 9739-1031-22 | 14 | 4 | p. 21 | 9987-5357-12 | 56 | 1 | p. 11 | 495877 | 876 | 1 | p. 57 | | |
| 9739-1031-22 | 26 | 2 | p. 25 | 9988-3616-16 | 34 | 4 | p. 23 | 495878 | 510 | 1 | p. 57 | | |
| 9739-1031-22 | 31 | 1 | p. 11 | 9988-3719-16 | 38 | 2 | p. 23 | 497401 | 309 | 1 | p. 57 | | |
| 9747-0531-02 | 15 | 4 | p. 25 | 9997-0512-16 | 2 | 4 | p. 7 | 805006 | 54 | 4 | p. 53 | | |
| 9747-0531-02 | 36 | 2 | p. 19 | 9997-0520-16 | 9 | 1 | p. 11 | 805009 | 657 | 2 | p. 49 | | |
| 9747-0531-02 | 38 | 3 | p. 25 | 9997-0520-16 | 9 | 2 | p. 13 | 805011 | 524 | 1 | p. 49 | | |
| 9747-0631-02 | 23 | 1 | p. 5 | 9997-0520-16 | 30 | 1 | p. 19 | 805018 | 277 | 1 | p. 53 | | |
| 9747-0631-02 | 27 | 1 | p. 7 | 9997-0520-16 | 35 | 2 | p. 19 | 805019 | 171 | 4 | p. 47 | | |
| 9747-0631-02 | 33 | 1 | p. 7 | 9997-0520-16 | 37 | 3 | p. 13 | 805023 | 52 | 2 | p. 53 | | |
| 9747-0831-02 | 13 | 2 | p. 23 | 9997-0616-16 | 91 | 1 | p. 17 | 805024 | 883 | 2 | p. 49 | | |
| 9747-0831-02 | 23 | 2 | p. 21 | 9997-0630-12 | 14 | 1 | p. 15 | 805025 | 307 | 2 | p. 49 | | |
| 9747-0831-02 | 29 | 1 | p. 15 | 9997-0670-12 | 22 | 1 | p. 5 | 805025 | 307 | 6 | p. 53 | | |
| 9747-0831-02 | 49 | 1 | p. 15 | 9997-0816-02 | 11 | 2 | p. 23 | 805026 | 305 | 1 | p. 53 | | |
| 9747-0831-02 | 52 | 4 | p. 15 | 9997-0835-12 | 39 | 1 | p. 15 | 805026 | 305 | 12 | p. 49 | | |
| 9747-0831-02 | 65 | 2 | p. 17 | 9997-0840-16 | 8 | 1 | p. 7 | 805030 | 982 | 2 | p. 49 | | |
| 9794-5131-02 | 15 | 2 | p. 19 | 9997-0840-16 | 9 | 2 | p. 7 | 805048 | 15 | 1 | p. 47 | | |
| 9795-3531-02 | 52 | 1 | p. 19 | 9997-0845-12 | 64 | 2 | p. 17 | 805049 | 20 | 1 | p. 47 | | |
| 9799-0831-02 | 6 | 2 | p. 23 | 9997-0850-16 | 34 | 1 | p. 11 | 805054 | 87 | 1 | p. 47 | | |
| 9799-1031-02 | 12 | 1 | p. 15 | 9997-0855-12 | 28 | 1 | p. 15 | 805057 | 819 | 1 | p. 55 | | |
| 9842-0001-16 | 45 | 1 | p. 15 | 9997-0865-12 | 54 | 1 | p. 11 | 805057 | 819 | 2 | p. 49 | | |
| 9847-7919-16 | 71 | 2 | p. 19 | 9997-0870-16 | 10 | 1 | p. 7 | 805058 | 116 | 1 | p. 47 | | |
| 9849-8006-16 | 1 | 2 | p. 19 | 9997-0870-16 | 51 | 4 | p. 15 | 805073 | 166 | 1 | p. 47 | | |
| 9849-8009-16 | 13 | 2 | p. 19 | 9997-0870-16 | 81 | 1 | p. 13 | 805083 | 864 | 2 | p. 49 | | |
| 9849-8013-16 | 7 | 2 | p. 5 | 9997-1030-16 | 6 | 3 | p. 21 | 805084 | 871 | 4 | p. 49 | | |
| 9849-8013-16 | 14 | 4 | p. 3 | 9997-1040-12 | 12 | 2 | p. 21 | 805092 | 40 | 4 | p. 47 | | |
| 9849-8013-16 | 26 | 1 | p. 5 | 9997-1040-12 | 28 | 1 | p. 11 | 805094 | 868 | 4 | p. 49 | | |
| 9849-8013-16 | 42 | 2 | p. 3 | 19203 | 363 | 1 | p. 57 | 805097 | 13 | 8 | p. 47 | | |
| 9849-8013-16 | 50 | 2 | p. 3 | 90576 | 354 | 1 | p. 57 | 805099 | 27 | 4 | p. 47 | | |
| 9849-8013-16 | 80 | 2 | p. 9 | 91488 | 84 | 2 | p. 47 | 805100 | 1023 | 2 | p. 49 | | |
| 9849-8032-16 | 51 | 1 | p. 3 | 92278 | 561 | 1 | p. 57 | 805101 | 3 | 1 | p. 47 | | |
| 9865-0530-16 | 37 | 3 | p. 25 | 92791 | 353 | 1 | p. 57 | 805103 | 718 | 2 | p. 49 | | |
| 9897-1040-12 | 13 | 2 | p. 21 | 93053 | 601 | 2 | p. 55 | 805112 | 12 | 1 | p. 47 | | |
| 9898-0820-16 | 33 | 2 | p. 23 | 93722 | 520 | 1 | p. 57 | 805158 | 613 | 4 | p. 49 | | |
| 9924-1035-16 | 11 | 1 | p. 15 | 94004 | 310 | 2 | p. 57 | 805197 | 572 | 1 | p. 49 | | |
| 9942-0612-16 | 21 | 2 | p. 5 | 94288 | 896 | 1 | p. 57 | 805198 | 116 | 2 | p. 47 | | |
| 9942-0612-16 | 31 | 2 | p. 21 | 94627 | 188 | 4 | p. 57 | 805247 | 188 | 2 | p. 57 | | |
| 9945-0816-16 | 8 | 6 | p. 3 | 221535 | 265 | 2 | p. 53 | 805250 | 978 | 1 | p. 49 | | |
| 9945-0816-16 | 10 | 2 | p. 5 | 224356 | 729 | 1 | p. 49 | 805260 | 423 | 2 | p. 49 | | |
| 9945-0816-16 | 10 | 4 | p. 3 | 224413 | 1006 | 1 | p. 57 | 805313 | 1025 | 1 | p. 49 | | |
| 9945-0816-16 | 63 | 6 | p. 3 | 224531 | 116 | 1 | p. 53 | 805317 | 823 | 2 | p. 49 | | |
| 9945-0816-16 | 95 | 2 | p. 9 | 262679 | 45 | 4 | p. 47 | 805317 | 823 | 2 | p. 55 | | |
| 9950-0510-16 | 14 | 4 | p. 25 | 270920 | 842 | 1 | p. 49 | 805341 | 1031 | 4 | p. 51 | | |
| 9959-0612-16 | 32 | 4 | p. 15 | 272490 | 535 | 1 | p. 53 | 805342 | 1030 | 2 | p. 51 | | |
| 9959-0612-16 | 62 | 2 | p. 11 | 280104 | 783 | 1 | p. 57 | 805343 | 166 | 4 | p. 47 | | |
| 9959-0612-16 | 63 | 2 | p. 19 | 280470 | 729 | 1 | p. 57 | 805352 | 1026 | 2 | p. 49 | | |
| 9959-0816-16 | 16 | 1 | p. 7 | 389003 | 513 | 1 | p. 57 | 805362 | 11 | 1 | p. 47 | | |
| 9959-0816-16 | 35 | 1 | p. 15 | 393295 | 474 | 1 | p. 57 | 805381 | 562 | 1 | p. 53 | | |
| 9959-0816-16 | 45 | 2 | p. 3 | 393456 | 877 | 1 | p. 57 | 805383 | 592 | 1 | p. 55 | | |
| | | | | 393815 | 187 | 1 | p. 53 | 805395 | 32 | 4 | p. 47 | | |

| code | pos. | q.ty | page | | | | |
|--------|------|------|-------|--------|------|---|-------|
| 805402 | 668 | 1 | p. 57 | 807661 | 306 | 1 | p. 49 |
| 805407 | 334 | 6 | p. 57 | 807663 | 573 | 1 | p. 49 |
| 805412 | 552 | 1 | p. 49 | 807680 | 34 | 2 | p. 47 |
| 805413 | 552 | 1 | p. 49 | 807681 | 33 | 2 | p. 47 |
| 805417 | 614 | 1 | p. 49 | 807683 | 42 | 4 | p. 47 |
| 805420 | 167 | 4 | p. 47 | 807685 | 788 | 1 | p. 55 |
| 805439 | 216 | 1 | p. 53 | 807705 | 98 | 1 | p. 53 |
| 805447 | 78 | 3 | p. 57 | 807706 | 105 | 1 | p. 53 |
| 805448 | 526 | 2 | p. 57 | 807708 | 121 | 1 | p. 53 |
| 805449 | 189 | 2 | p. 47 | 807710 | 133 | 1 | p. 53 |
| 805453 | 209 | 1 | p. 53 | 807711 | 141 | 1 | p. 53 |
| 805461 | 209 | 1 | p. 53 | 807713 | 254 | 1 | p. 53 |
| 805465 | 232 | 1 | p. 53 | 807715 | 975 | 1 | p. 55 |
| 805480 | 201 | 1 | p. 53 | 807717 | 1037 | 1 | p. 55 |
| 805505 | 727 | 1 | p. 49 | 807779 | 16 | 1 | p. 47 |
| 805529 | 635 | 2 | p. 49 | 807787 | 1 | 1 | p. 47 |
| 805561 | 95 | 2 | p. 53 | 807795 | 8 | 1 | p. 47 |
| 805562 | 108 | 1 | p. 53 | 807803 | 29 | 2 | p. 47 |
| 805570 | 127 | 1 | p. 53 | 807805 | 726 | 1 | p. 57 |
| 805571 | 127 | 1 | p. 53 | 807821 | 5 | 1 | p. 47 |
| 805572 | 130 | 1 | p. 53 | 807822 | 5 | 1 | p. 47 |
| 805574 | 634 | 1 | p. 55 | 807857 | 161 | 1 | p. 53 |
| 805576 | 634 | 1 | p. 55 | 807859 | 862 | 1 | p. 55 |
| 805577 | 615 | 1 | p. 55 | 807862 | 642 | 1 | p. 55 |
| 805578 | 615 | 1 | p. 55 | 807886 | 28 | 2 | p. 47 |
| 805580 | 634 | 1 | p. 55 | 807887 | 358 | 1 | p. 49 |
| 805581 | 1013 | 1 | p. 55 | 807888 | 25 | 2 | p. 47 |
| 805586 | 104 | 1 | p. 53 | 807889 | 26 | 2 | p. 47 |
| 805617 | 1026 | 2 | p. 49 | 807900 | 29 | 2 | p. 47 |
| 805631 | 643 | 1 | p. 55 | 807963 | 1014 | 1 | p. 55 |
| 805632 | 1004 | 1 | p. 55 | 807985 | 523 | 1 | p. 49 |
| 805641 | 729 | 1 | p. 57 | 807989 | 358 | 1 | p. 53 |
| 805653 | 7 | 2 | p. 47 | 807991 | 25 | 2 | p. 47 |
| 805655 | 537 | 1 | p. 53 | 807992 | 25 | 2 | p. 47 |
| 805669 | 53 | 1 | p. 53 | 807993 | 25 | 2 | p. 47 |
| 805674 | 122 | 1 | p. 53 | 807994 | 26 | 2 | p. 47 |
| 805687 | 2 | 1 | p. 47 | 807995 | 26 | 2 | p. 47 |
| 805696 | 22 | 9 | p. 47 | 807996 | 26 | 2 | p. 47 |
| 805700 | 51 | 1 | p. 53 | 808082 | 1005 | 1 | p. 57 |
| 805738 | 866 | 1 | p. 49 | 808096 | 1029 | 4 | p. 49 |
| 805751 | 10 | 1 | p. 47 | 808098 | 308 | 1 | p. 49 |
| 805762 | 351 | 2 | p. 53 | 808132 | 23 | 1 | p. 57 |
| 805772 | 50 | 1 | p. 53 | 808145 | 271 | 1 | p. 53 |
| 805783 | 529 | 1 | p. 53 | 808195 | 222 | 1 | p. 53 |
| 805841 | 879 | 1 | p. 49 | 808220 | 304 | 1 | p. 49 |
| 805858 | 1091 | 1 | p. 55 | 808235 | 1028 | 1 | p. 49 |
| 805937 | 35 | 4 | p. 47 | 808309 | 308 | 1 | p. 49 |
| 805964 | 243 | 1 | p. 47 | 808322 | 387 | 1 | p. 53 |
| 805984 | 741 | 1 | p. 49 | 808363 | 125 | 1 | p. 53 |
| 806000 | 503 | 1 | p. 57 | 808374 | 118 | 1 | p. 53 |
| 806028 | 332 | 1 | p. 57 | 808375 | 131 | 1 | p. 53 |
| 806039 | 1022 | 2 | p. 49 | 810078 | 354 | 1 | p. 53 |
| 806066 | 24 | 1 | p. 47 | | | | |
| 806079 | 987 | 1 | p. 55 | | | | |
| 806096 | 614 | 1 | p. 49 | | | | |
| 806096 | 634 | 1 | p. 49 | | | | |
| 806101 | 189 | 1 | p. 47 | | | | |
| 806109 | 117 | 1 | p. 53 | | | | |
| 806110 | 142 | 1 | p. 53 | | | | |
| 807501 | 525 | 1 | p. 49 | | | | |
| 807528 | 227 | 1 | p. 53 | | | | |
| 807542 | 46 | 1 | p. 47 | | | | |
| 807546 | 1024 | 1 | p. 49 | | | | |
| 807596 | 616 | 1 | p. 49 | | | | |
| 807623 | 192 | 2 | p. 47 | | | | |
| 807638 | 18 | 1 | p. 47 | | | | |