



Reservdelskatalog Parts Catalogue

PARK PRO 20 (OVERSEAS)

13-6221-45 - Season 2004

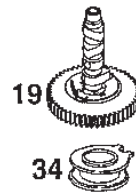
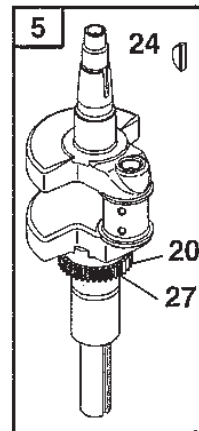
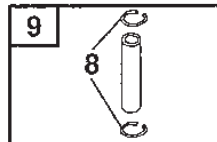
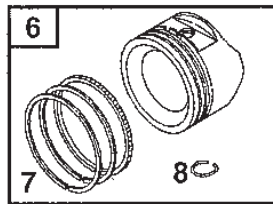
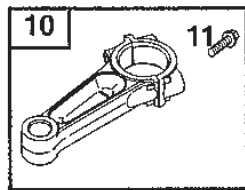
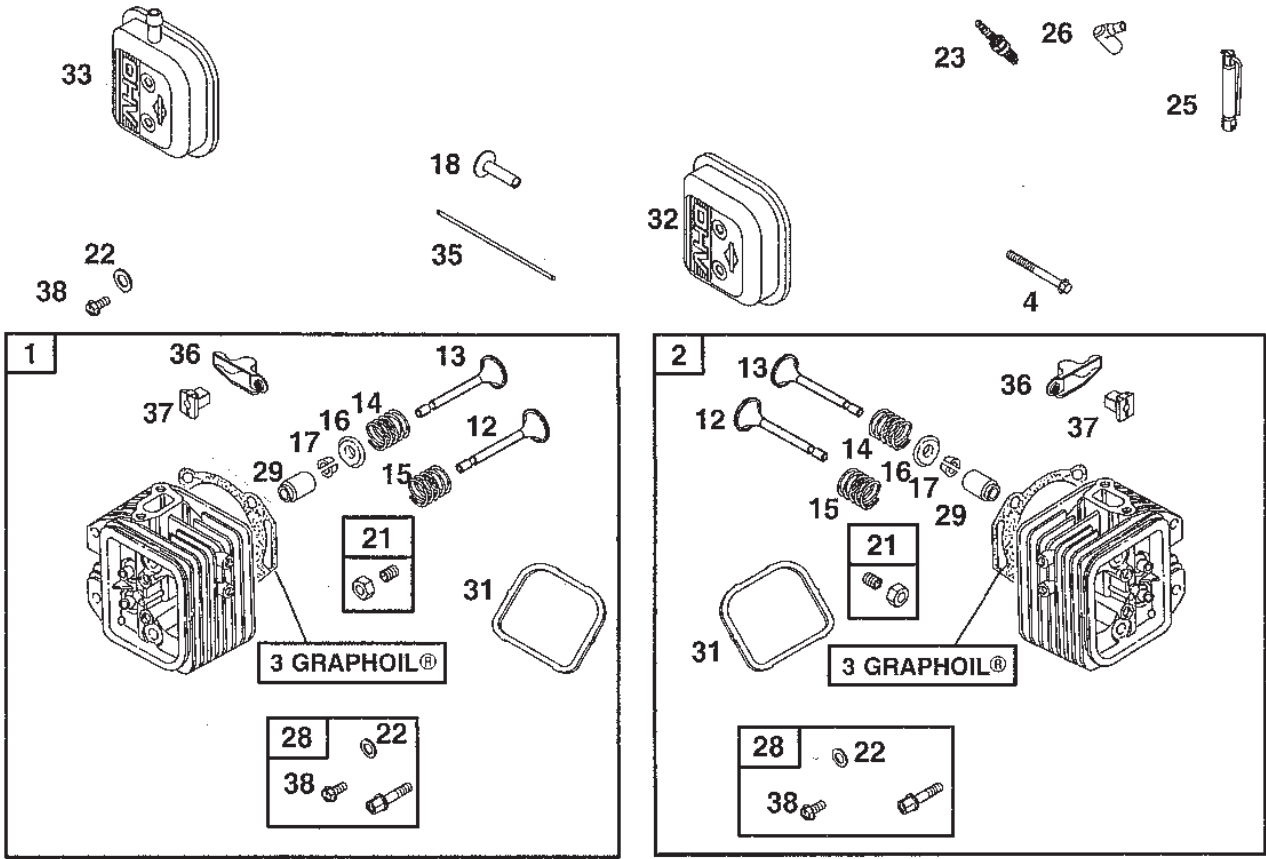
- Use GLOBAL GARDEN PRODUCT Genuine Spare Parts specified in the parts list for repair and/or replacement.
 - The contents described in the parts list may change due to improvement.
 - The drawings of the spare parts are only indicative and might not represent the part in question exactly.
 - The indications "right" - "left" - "front" - "rear" refer to the position of the operator when using the machine.
- When placing orders of parts for repair and/or replacement, make sure that the illustrated parts list is the one applying to the machine's year of manufacture, as shown on the identification plate attached to the machine.

© Copyright 2004 Global Garden Products

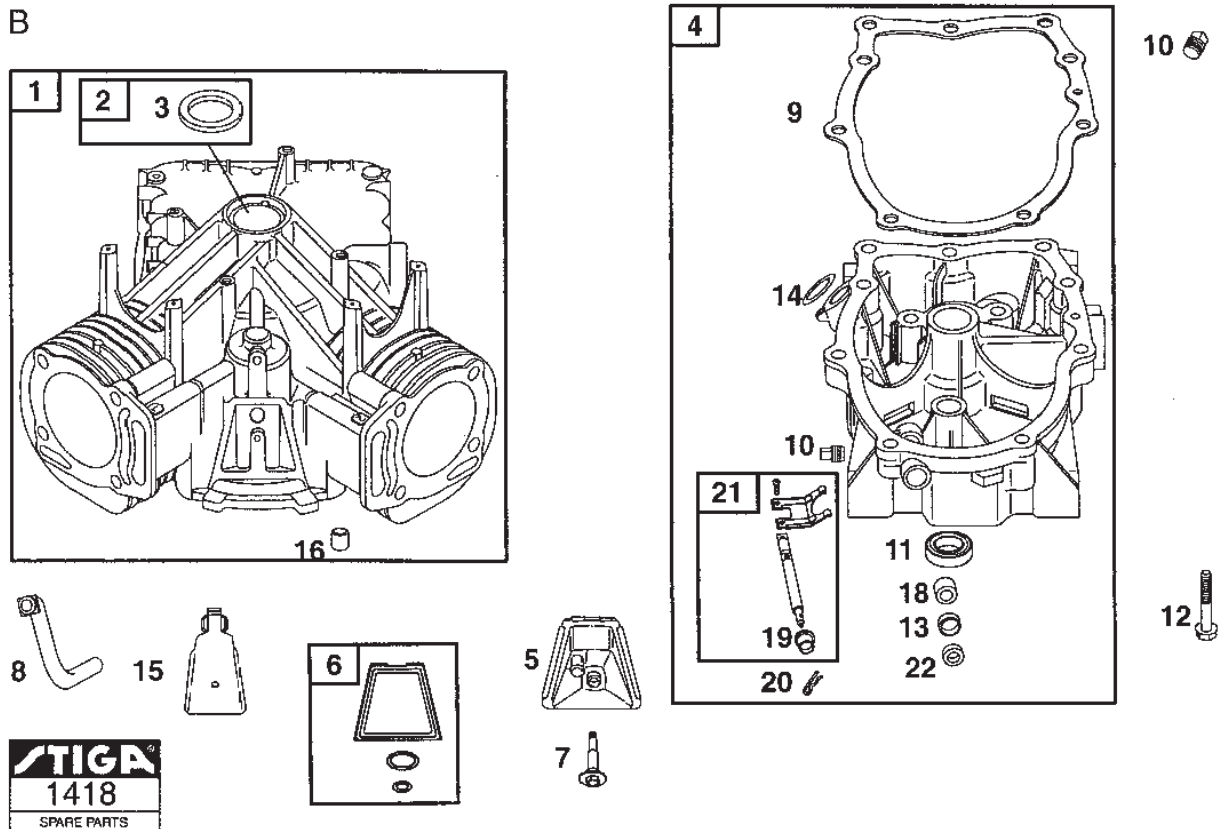
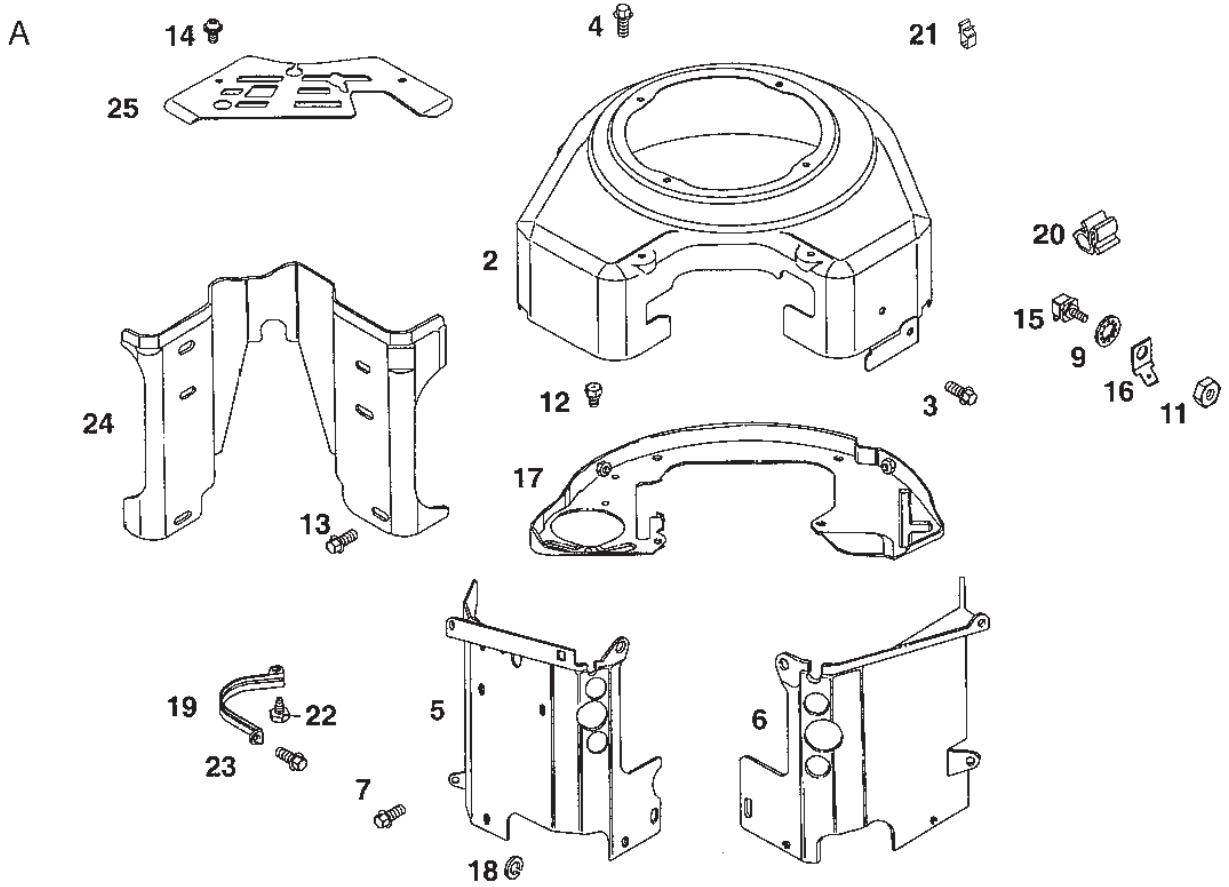
All rights reserved. No part of this material may be reproduced or transmitted, in any form or by any means, electronic or mechanical, including photocopying, recording or by any information storage and retrieval system, without permission in writing from GLOBAL GARDEN PRODUCTS.

www.stiga.com

A

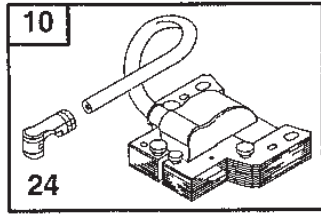
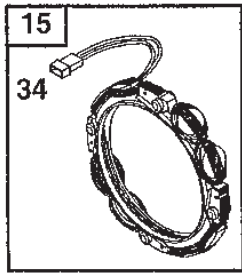
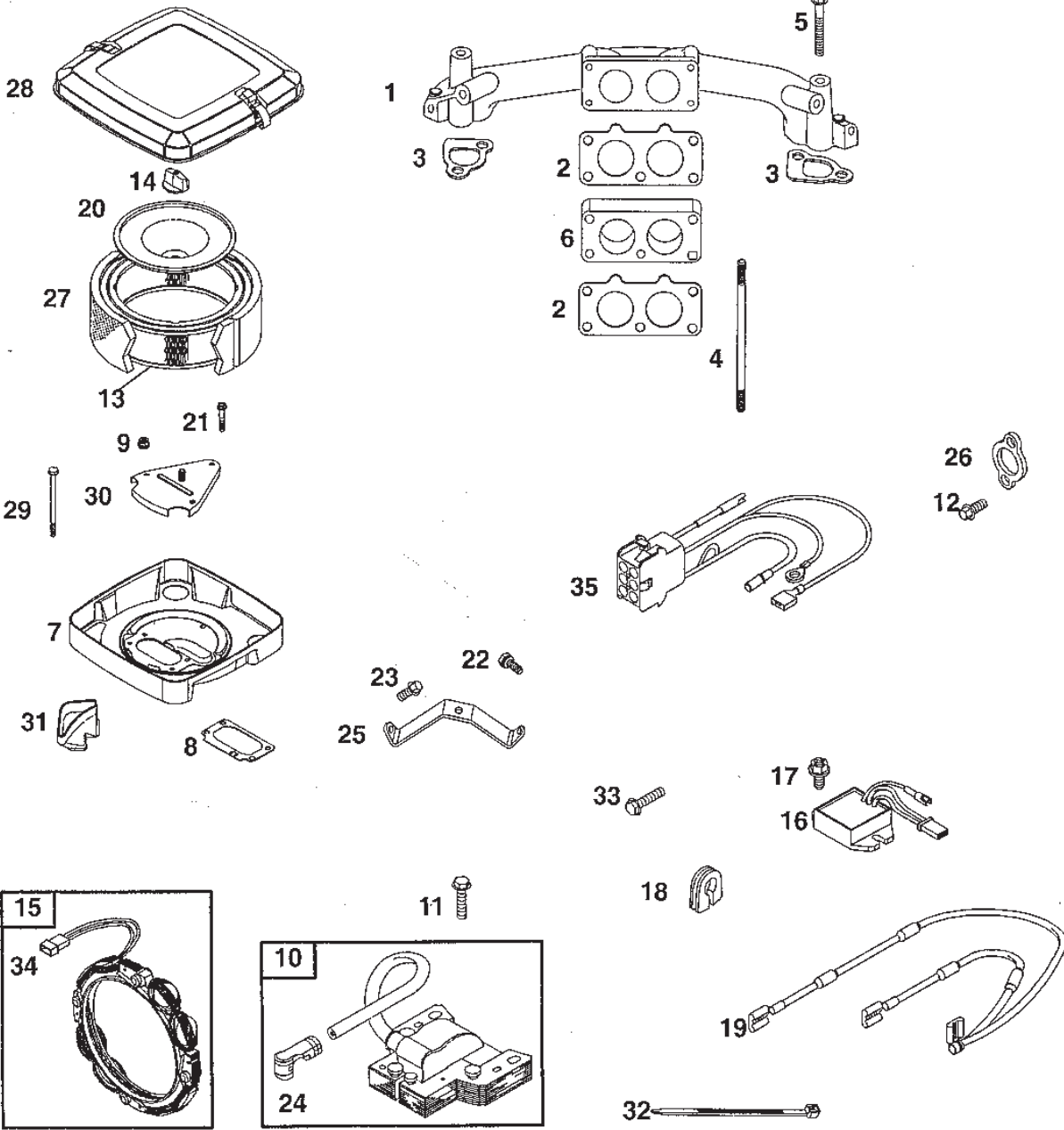


Utgåva Issue 20 - 2015		Topplöck (A) Vevaxel (A)		Cylinder Head (A) Crankshaft (A)	
Pos. Fig.	Antal Q.ty	Art nr Part No	Benämning	Description	Anmärkning Notes
1	1	809185	Topplöck	Cylinder Head	#1
2	1	809186	Topplöck	Cylinder Head	#2
3	2	690888	Topplöckspackning	Cylinder head gasket	
4	8	805097	Skruv	Screw	
5	1	692172	Crankshaft	Crankshaft	
6	2	808326	Kolv kpl	Piston Assy	Standard
6	2	808336	Kolv kpl	Piston Assy	.010" oversize
6	2	808337	Kolv kpl	Piston Assy	.020" oversize
6	2	808338	Kolv kpl	Piston Assy	.030" oversize
7	2	807889	Ring set	Ring set	Standard
7	2	807994	Ring set	Ring set	.010" oversize
7	2	807995	Ring set	Ring set	.020" oversize
7	2	807996	Ring set	Ring set	.030" oversize
8	4	690683	Lasring	Piston Pin	
9	2	807886	Kolvsprint	Piston Pin	
10	2	807803	Connecting Rod	Connecting Rod	.020" undersize
10	2	807900	Connecting Rod	Connecting Rod	Standard
11	4	690698	Skruv	Screw	
12	2	807681	Exhaust valve	Exhaust valve	
13	2	807680	Insugningsventil	Intake valve	
14	2	692084	Valve spring	Valve spring	
15	2	692084	Valve spring	Valve spring	
16	2	692058	Valve retainer	Valve retainer	
17	2	807683	Retainer	Retainer	
18	4	690977	Valve tappet	Valve tappet	
19	1	691557	Kamaxel	Camshaft	
20	1	691639	Kil	Key	
21	2	807623	Skruv	Screw	
21	4	807623	Skruv	Screw	
22	4	807085	Bricka	Washer	
23	2	9400-0244-00	Tändstift	Spark Plug	
24	1	808095	Kil	Key	
25	1	19374	Hylsnyckel	Spark plug wrench	
26	2	692076	Spark plug boot	Spark plug boot	
27	1	691530	Timing gear	Timing gear	
28	2	809157	Stud	Stud	
29	2	805094	Seal	Seal	
31	2	806039	Packning	Gasket	
32	1	691494	Ventilkapa	Rocker arm cover	
33	1	691558	Cover	Cover	
34	1	690689	Governor spool	Governor spool	
35	4	691758	Stötstang (alum)	Push rod (alum)	
35	4	691836	Stötstang (stal)	Push rod (steel)	
36	2	691543	Vipparm	Rocker arm	
36	4	691543	Vipparm	Rocker arm	
37	2	690973	Vipparmsstyrning	Rocker arm pivot	
37	4	690973	Vipparmsstyrning	Rocker arm pivot	
38	4	807084	Skruv	Screw	

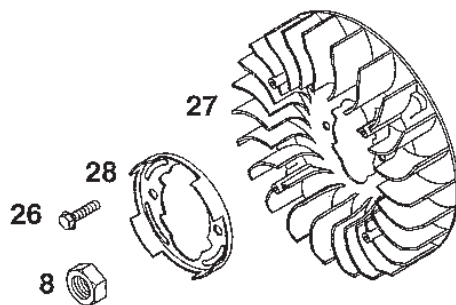
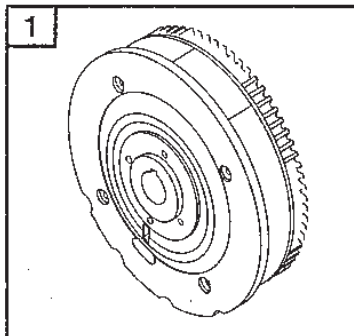


Utgåva Issue 20 - 2015		Kapor (A) Cylinder (B)		Shields (A) Cylinder (B)	
Pos. Fig.	Antal Q.ty	Art nr Part No	Benämning	Description	Anmärkning Notes
1	1	692545	Cylinder kpl	Cylinder Assy	
2	1	690915	Blower housing	Blower housing	
2	1	807687	Bussning	Bushing	
2	1	808534	Bussning	Bushing	
2	1	807687	Bussning	Bushing	
2	1	808534	Bussning	Bushing	
3	2	692056	Skruv	Screw	
3	1	805101	Oil seal	Oil seal	
4	2	692062	Skruv	Screw	
4	1	808846	Vevhus kpl	Engine sump assy	
5	1	806547	Ventilkapa kpl	Cylinder Head Cover	
5	1	807893	Vevhusventilation	Breather	
6	1	806546	Ventilkapa kpl	Cylinder Head Cover	
6	1	809094	Packning	Gasket	
7	2	692539	Skruv	Screw	
7	1	690751	Skruv	Screw	
8	1	690873	Breather Tube	Breather Tube	
9	1	691077	Bricka	Washer	
9	1	691684	Packning	Gasket	
10	1	690946	Oil drain plug	Oil drain plug	
11	1	691612	Mutter	Nut	
11	1	805049	Oil seal	Oil seal	
12	2	807163	Skruv	Screw	
12	9	692540	Skruv	Screw	
13	2	692539	Skruv	Screw	
13	1	690704	Bricka	Washer	
14	2	690677	Skruv	Screw	
14	1	692154	Seal o-ring	Seal o-ring	
15	1	398525	Isolator	Insulator	
15	1	691972	Isolator	Insulator	
15	1	690686	Breather baffle	Breather baffle	
16	1	691084	Ground terminal	Ground terminal	
16	2	690684	Sprint	Locating pin	
17	1	690902	Back plate	Back plate	
18	1	691551	Bricka	Washer	
18	1	690701	Bussning	Bushing	
19	1	690714	Startdrevsskydd	Starter drive Cover	
19	1	806686	Bussning	Bushing	
20	1	690586	Wire clip	Wire clip	
20	1	691550	Hallare	Gov. shaft retainer	
21	1	805827	Wire clip	Wire clip	
21	1	806685	Governor crank	Governor crank	
22	1	690688	Skruv	Screw	
22	1	690680	Tätning	Gov. shaft seal	
23	1	692539	Skruv	Screw	
24	1	690750	Luftplat	Air guide cover	
25	1	690757	Förgasarkapa	Carburettor Cover	

A

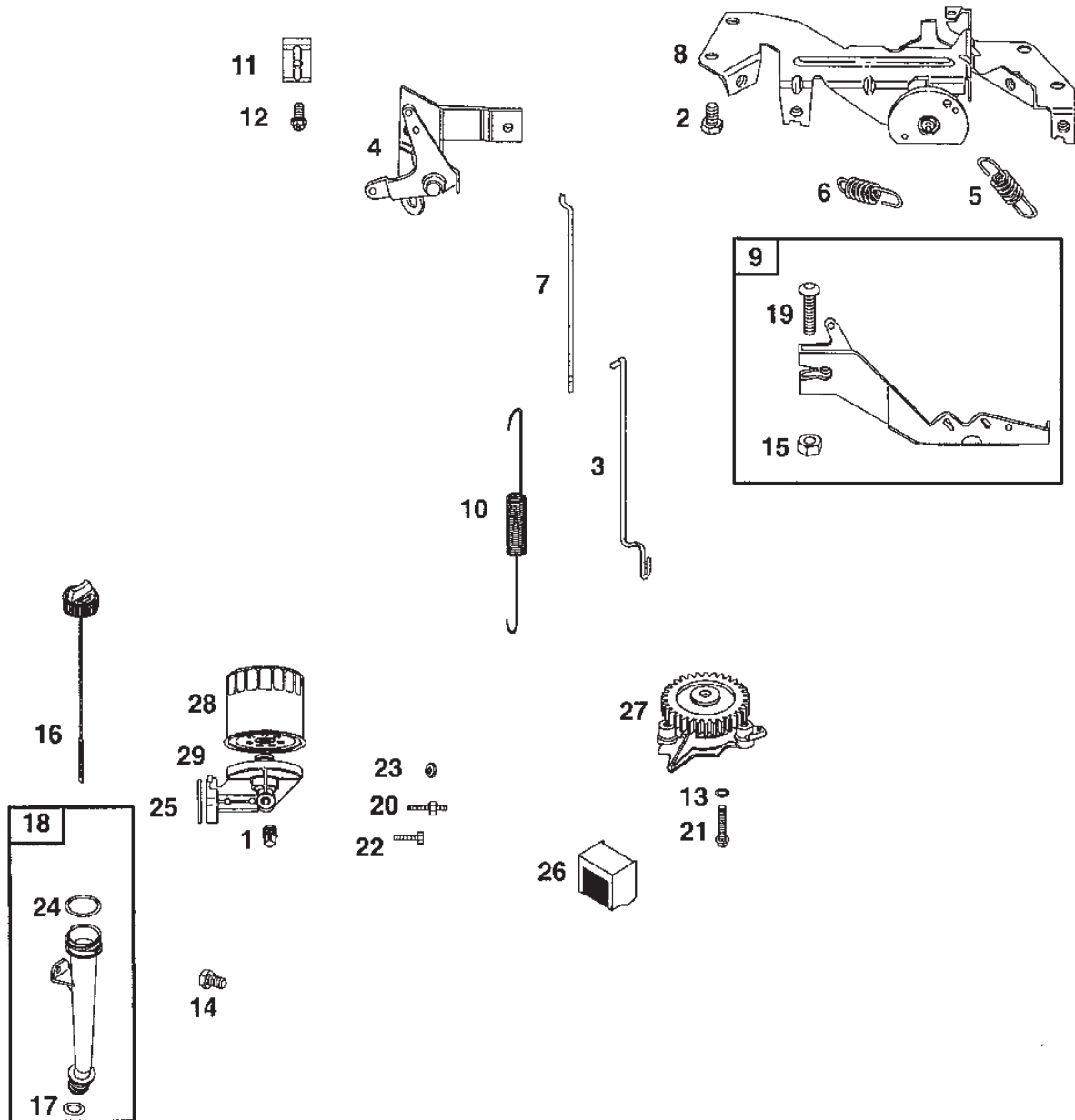


B



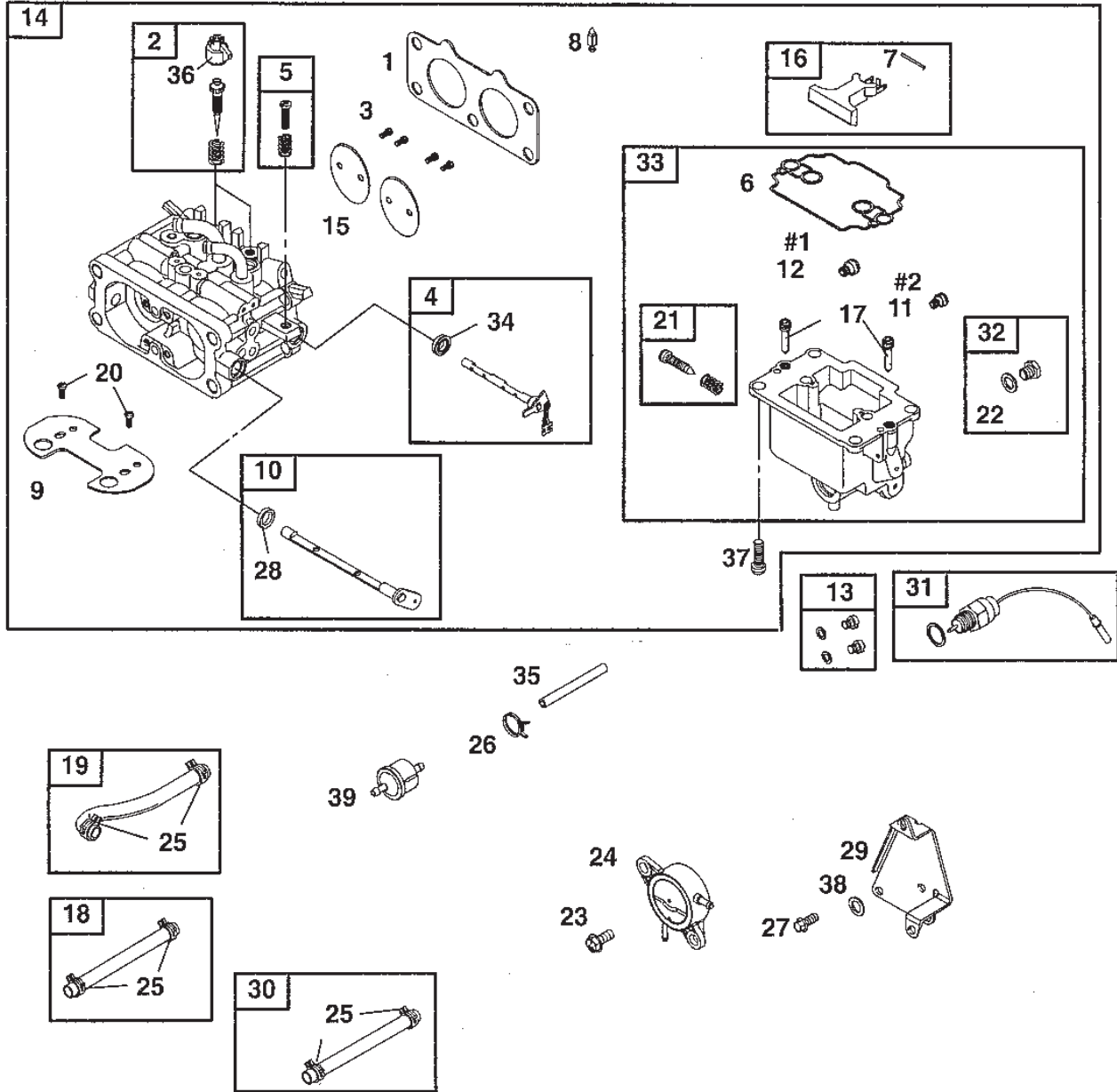
Utgåva Issue 20 - 2015		Luftfilter (A) Svänghjul (B)		Air Cleaner (A) Flywheel (B)	
Pos. Fig.	Antal Q.ty	Art nr Part No	Benämning	Description	Anmärkning Notes
1	1	690886	Insugningsrör	Intake Manifold	
1	1	808768	Flywheel	Flywheel	
2	2	690950	Packning	Intake Gasket	
3	2	692035	Packning	Gasket	
4	4	690869	Stud	Stud	
5	2	690676	Skruv	Screw	
6	1	690870	Distans	Spacer	
7	1	690916	Luftrenarfäste	Air Cleaner Base	
8	1	692087	Packning	Gasket	
8	1	690887	Mutter	Nut	
9	1	690939	Mutter	Nut	
10	1	492341	Armature magneto	Armature magneto	
10	1	19203	Avdragare	Puller	
11	2	692066	Skruv	Screw	
12	4	691902	Skruv	Screw	
13	1	394018	Air cleaner cartridge	Air cleaner cartridge	
14	1	691985	Lasratt	Knob	
15	1	696458	Generator	Alternator	
16	1	691185	Regulator	Regulator	
17	2	692067	Skruv	Screw	
18	1	690744	Gummihylsa	Grommet	
19	1	692319	Kabel	Wire	
20	1	692079	Retainer	Retainer	
21	3	691492	Skruv	Screw	
22	1	807084	Skruv	Screw	
23	1	692539	Skruv	Screw	
24	1	493880	Terminal	Terminal	
25	1	690868	Fäste	Mounting strap	
26	2	691613	Packning	Gasket	
26	2	691058	Skruv	Screw	
27	1	272490	Förfilter	Pre cleaner filter	
27	1	690911	Flywheel fan	Flywheel fan	
28	1	692097	Cover	Cover	
28	1	690452	Fläkthallare	Fan retainer	
29	2	690866	Skruv	Screw	
30	1	690917	Shield	Shield	
31	1	690865	Luftkanal	Air Duct	
32	1	280275	Cable tie	Cable tie	
33	4	691552	Skruv	Screw	
34	1	399916	Connector	Connector	
35	1	698332	Kabelhärva	Wiring harness	

A



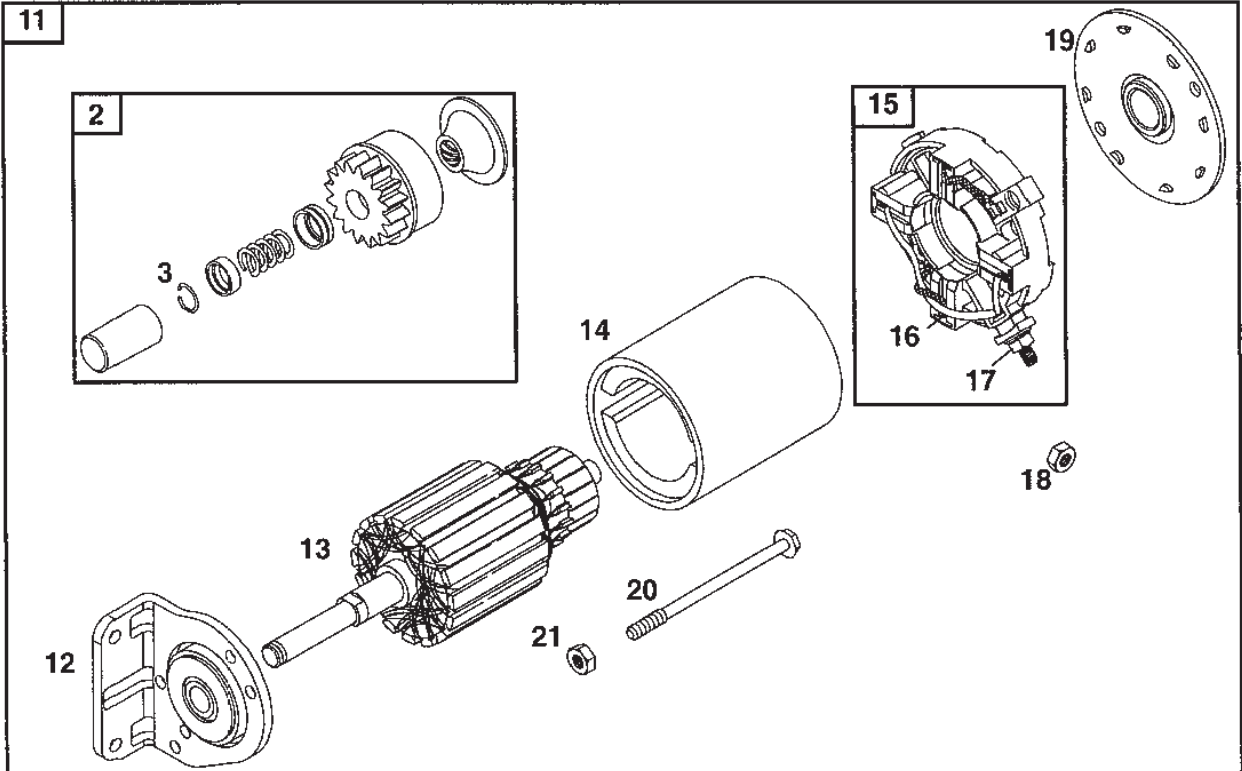
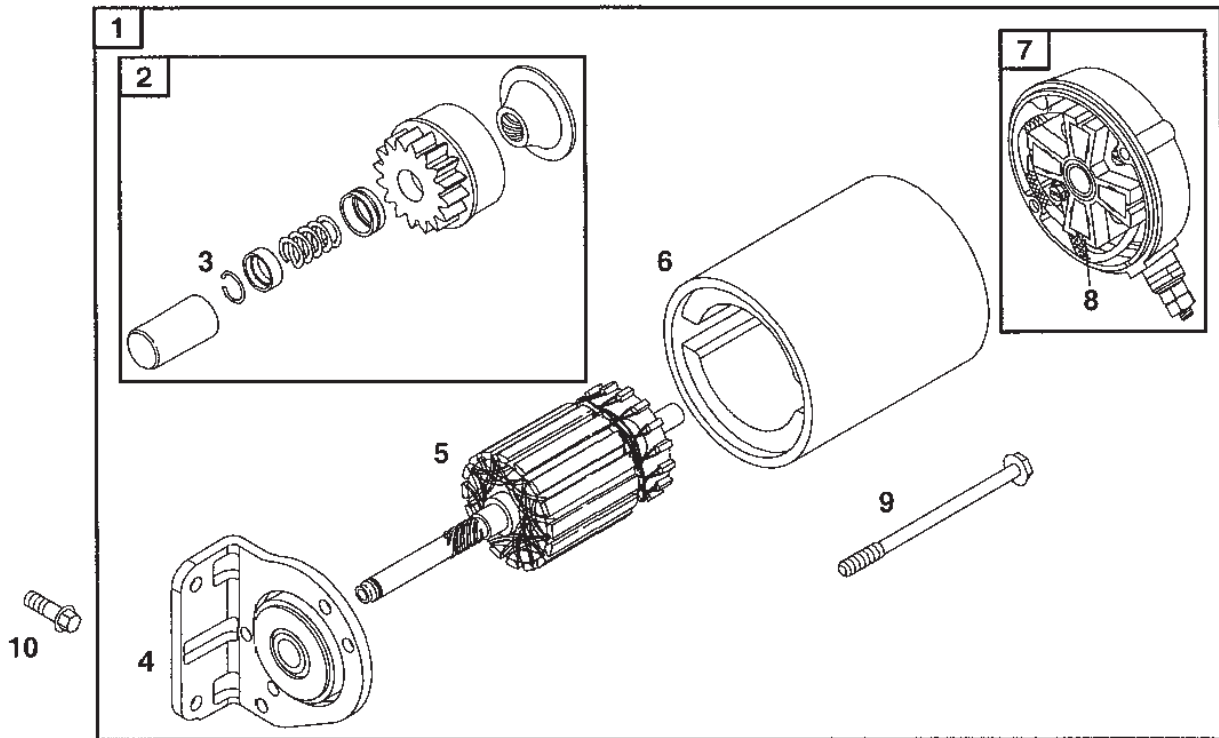
Utgåva Issue 20 - 2015		Regulator (A) Smörjning (A)		Governor (A) Lubrication (A)	
Pos. Fig.	Antal Q.ty	Art nr Part No	Benämning	Description	Anmärkning Notes
1	1	690283	Oil drain plug	Oil drain plug	
2	2	692056	Skruv	Screw	
3	1	690867	Governor link	Governor link	
4	1	690923	Bell crank	Bell crank	
5	1	691508	Fjäder	Spring	
6	1	692069	Fjäder	Spring	
7	1	690871	Choke link	Choke link	
8	1	808454	Governor bracket	Governor bracket	
9	1	690236	Reglagearm	Lever	
10	1	690874	Governor link spring	Governor link spring	
11	1	691024	Clamp	Clamp	
12	1	692083	Skruv	Screw	
13	2	690681	O-ringstättning	O-ring seal	
14	1	807084	Skruv	Screw	
15	1	690238	Mutter	Nut	
16	1	692101	Oil dipstick	Oil dipstick	
17	1	692053	Seal	Seal	
18	1	692093	Oil dipstick tube	Oil dipstick tube	
19	1	690239	Bult	Bolt	
20	1	690682	Stud	Stud	
21	2	691492	Skruv	Screw	
22	1	690679	Skruv	Screw	
23	1	690706	Bricka	Washer	
24	1	691870	Seal	Seal	
25	1	692063	Packning	Gasket	
26	1	690878	Oil pump screen	Oil pump screen	
27	1	693186	Oil pump	Oil pump	
28	1	492932	Oljefilter	Oil Filter	
29	1	808235	Oljefilteradapter	Oil filter adapter	

A



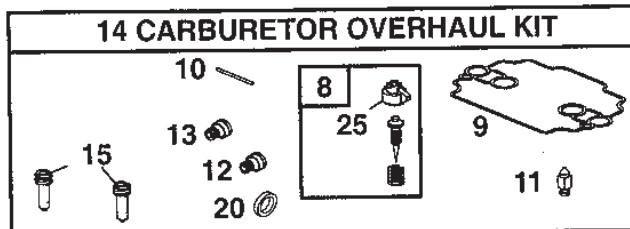
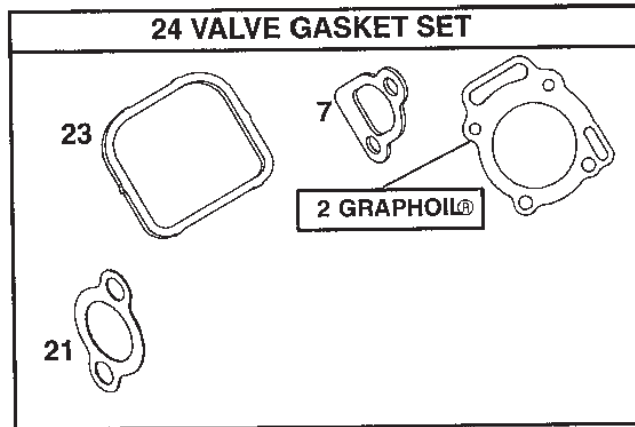
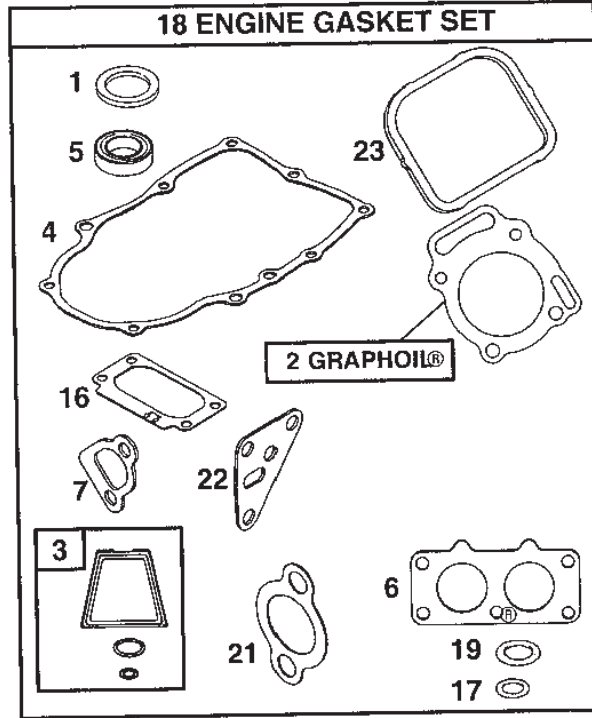
Utgåva Issue 20 - 2015		Förgasare (A)		Carburettor (A)	
Pos. Fig.	Antal Q.ty	Art nr Part No	Benämning	Description	Anmärkning Notes
1	1	690950	Packning	Intake Gasket	
2	1	808257	Justerskruv	Idle mixture kit	
3	4	690718	Skruv	Screw	
4	1	808719	Spjällsaxeln	Throttle Shaft	
5	1	808177	Justerskruv	Idle speed kit	
6	1	693711	Body gasket	Body gasket	
7	1	690882	Flottöraxel	Float hinge pin	
8	1	808798	Nalventil	Needle valve	
9	1	690883	Choke valve	Choke valve	
10	1	808181	Choke shaft	Choke shaft	
11	1	690881	Huvudmunstycke	Main jet	Cylinder #2
12	1	690880	Huvudmunstycke	Main jet	Cylinder #1
13	1	808406	Huvudmunstycke	Main jet kit	High altitude
14	1	808266	Förgasare kpl	Carburettor Assy	
15	2	690884	Gasspjäll	Throttle Valve	
16	1	808180	Flottör	Float	
17	2	690879	Nozzle	Nozzle	
18	1	691050	Fuel line	Fuel line	
19	1	691049	Fuel line	Fuel line	
20	2	690718	Skruv	Screw	
21	1	808178	Bowl drain	Bowl drain	
22	1	690724	Bricka	Washer	
23	2	807084	Skruv	Screw	
24	1	808656	Fuel pump	Fuel pump	
25	6	691038	Slangklämma	Hose clamp	
26	2	691638	Slangklämma	Hose clamp	
27	2	806660	Skruv	Screw	
28	1	690722	Choke shaft seal	Choke shaft seal	
29	1	691559	Fuel pump bracket	Fuel pump bracket	
30	1	393815	Bränsleledning	Fuel line	
31	1	808624	Fuel solenoid	Fuel solenoid	
32	1	807723	Carburettor plug	Carburettor plug	
33	1	808179	Flottörhus	Float bowl	
34	1	692090	Shaft seal	Shaft seal	
35	1	692929	Vent tube	Vent tube	
36	1	691516	Huv	Limiter cap	
37	4	690885	Skruv	Screw	
38	2	806497	Bricka	Washer	
39	1	691035	Bränslefilter	Fuel Filter	

A

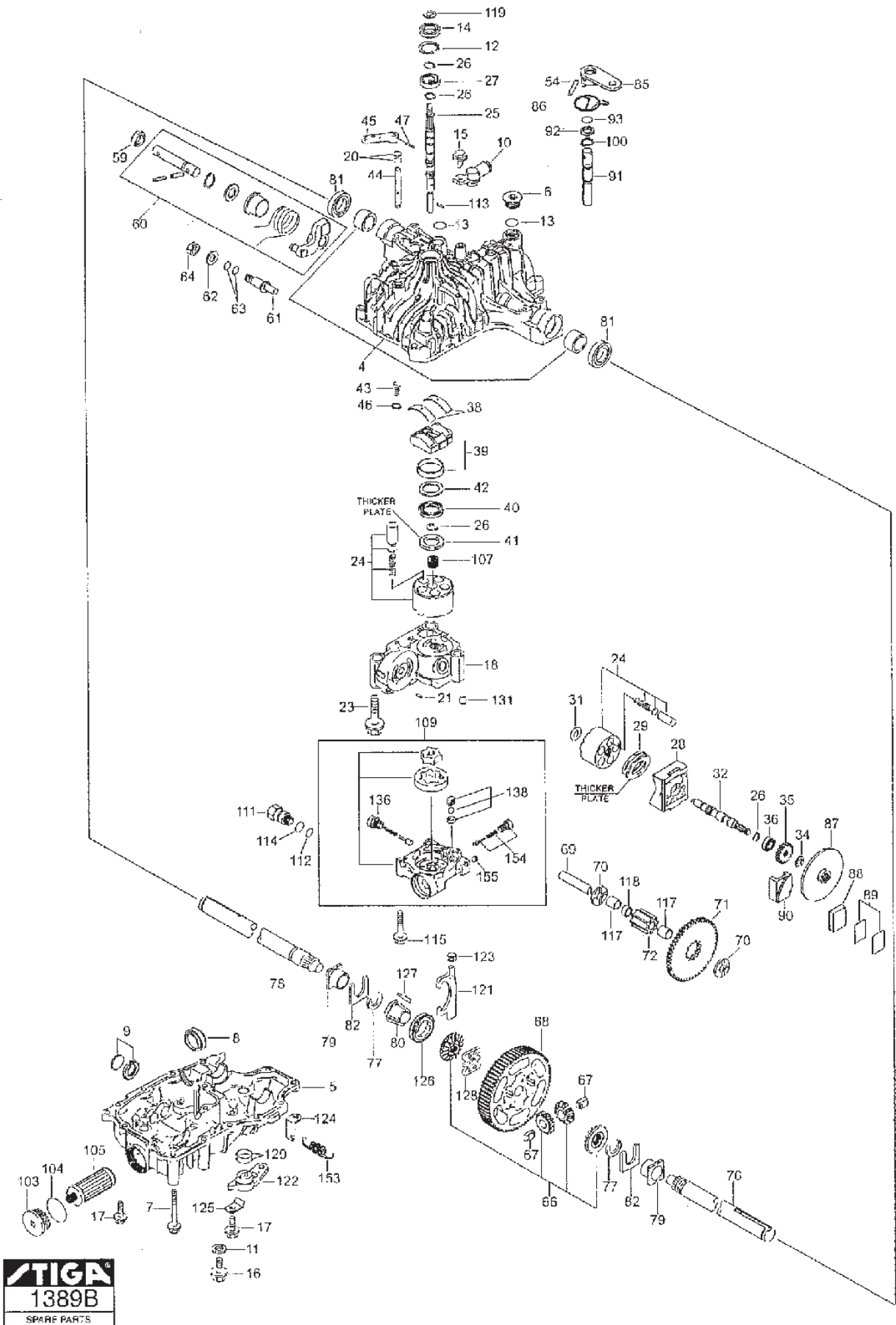


Utgåva Issue 20 - 2015		Startmotor (A)		Starter Motor (A)	
Pos. Fig.	Antal Q.ty	Art nr Part No	Benämning	Description	Anmärkning Notes
1	1	691564	Starter motor	Starter motor	Also replaces pos 11
2	1	496881	Startdrev	Starter Drive	
3	1	691124	Retaining ring	Retaining ring	
4	1	808778	Lock	Drive cap	
5	1	690855	Starter armature	Starter armature	
6	1	690854	Starter housing	Starter housing	
7	1	496813	Botten	End Cap	
8	1	496887	Brush set	Brush set	
9	2	496880	Bult	Bolt	
10	2	692062	Skruv	Screw	
12	1	808777	Lock	Drive cap	
13	1	693548	Armature	Armature	
14	1	693547	Starter housing	Starter housing	
15	1	691293	Brush retainer	Brush retainer	
16	1	497608	Brush set	Brush set	
17	1	693167	Mutter	Nut	
18	1	691029	Mutter	Nut	
19	1	691286	Botten	End Cap	
20	2	690323	Bult	Bolt	
21	2	693587	Mutter	Nut	

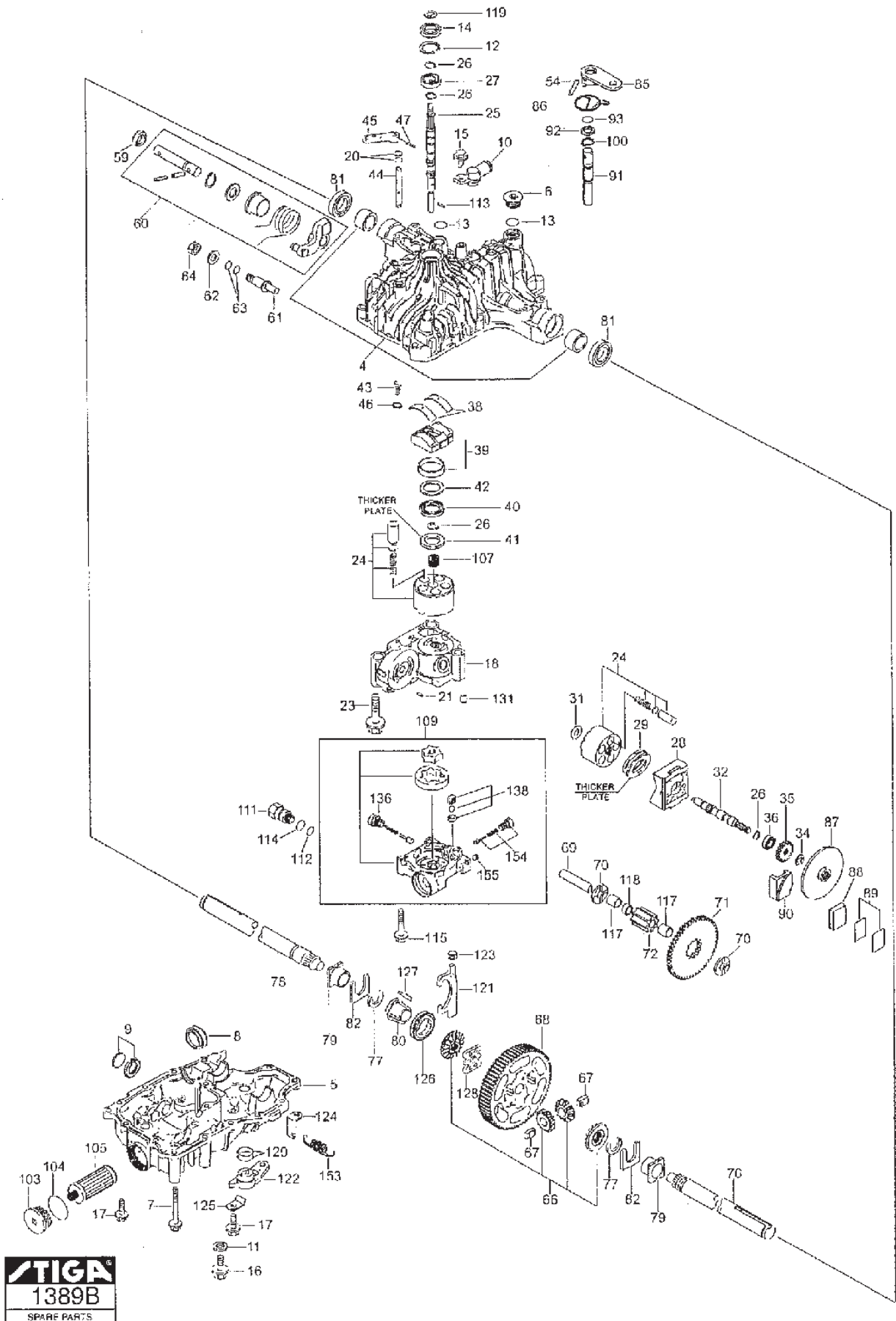
A



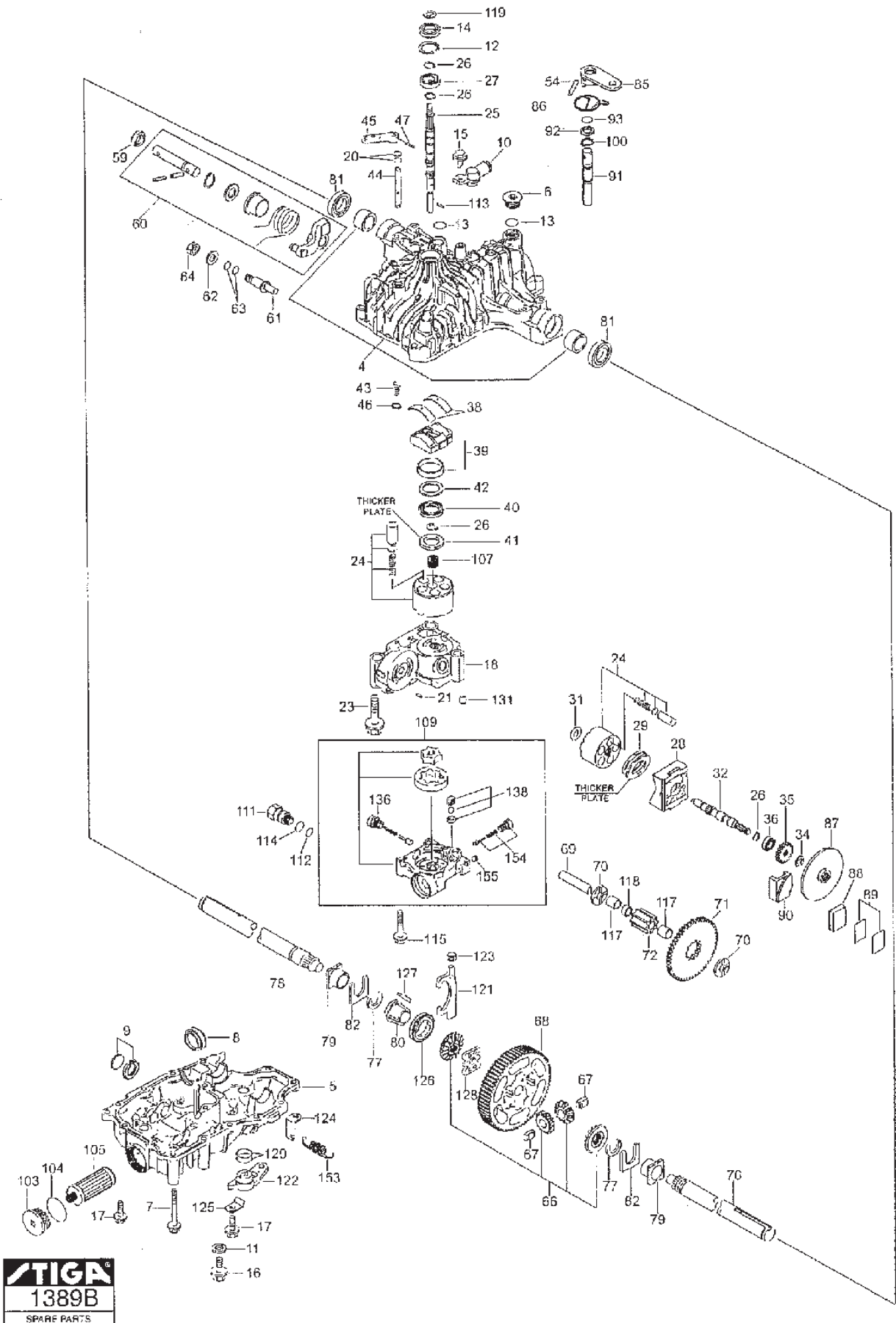
Utgåva Issue 20 - 2015		Packningssats (A)		Gasket Set (A)	
Pos. Fig.	Antal Q.ty	Art nr Part No	Benämning	Description	Anmärkning Notes
1	1	805101	Oil seal	Oil seal	
2	1	690888	Topplockspackning	Cylinder head gasket	
3	1	809094	Packning	Gasket	
4	1	691684	Packning	Gasket	
5	1	805049	Oil seal	Oil seal	
6	1	690950	Packning	Intake Gasket	
7	1	692035	Packning	Gasket	
8	1	808257	Justerskruv	Idle mixture kit	
9	1	693711	Body gasket	Body gasket	
10	1	690882	Flottöaxel	Float hinge pin	
11	1	692078	Nalventil	Needle valve	
12	1	690881	Huvudmunstycke	Main jet	
13	1	690880	Huvudmunstycke	Main jet	
14	1	808265	Carb.overhaul kit	Carb.overhaul kit	
15	1	690879	Nozzle	Nozzle	
16	1	692087	Packning	Gasket	
17	1	690681	O-ringstätning	O-ring seal	
18	1	808389	Packningssats	Overhaul gasket set	
19	1	692154	Seal o-ring	Seal o-ring	
20	1	690722	Choke shaft seal	Choke shaft seal	
21	1	691613	Packning	Gasket	
22	1	692063	Packning	Gasket	
23	1	806039	Packning	Gasket	
24	1	808391	Valve overhaul kit	Valve overhaul kit	
25	1	691516	Huv	Limitter cap	



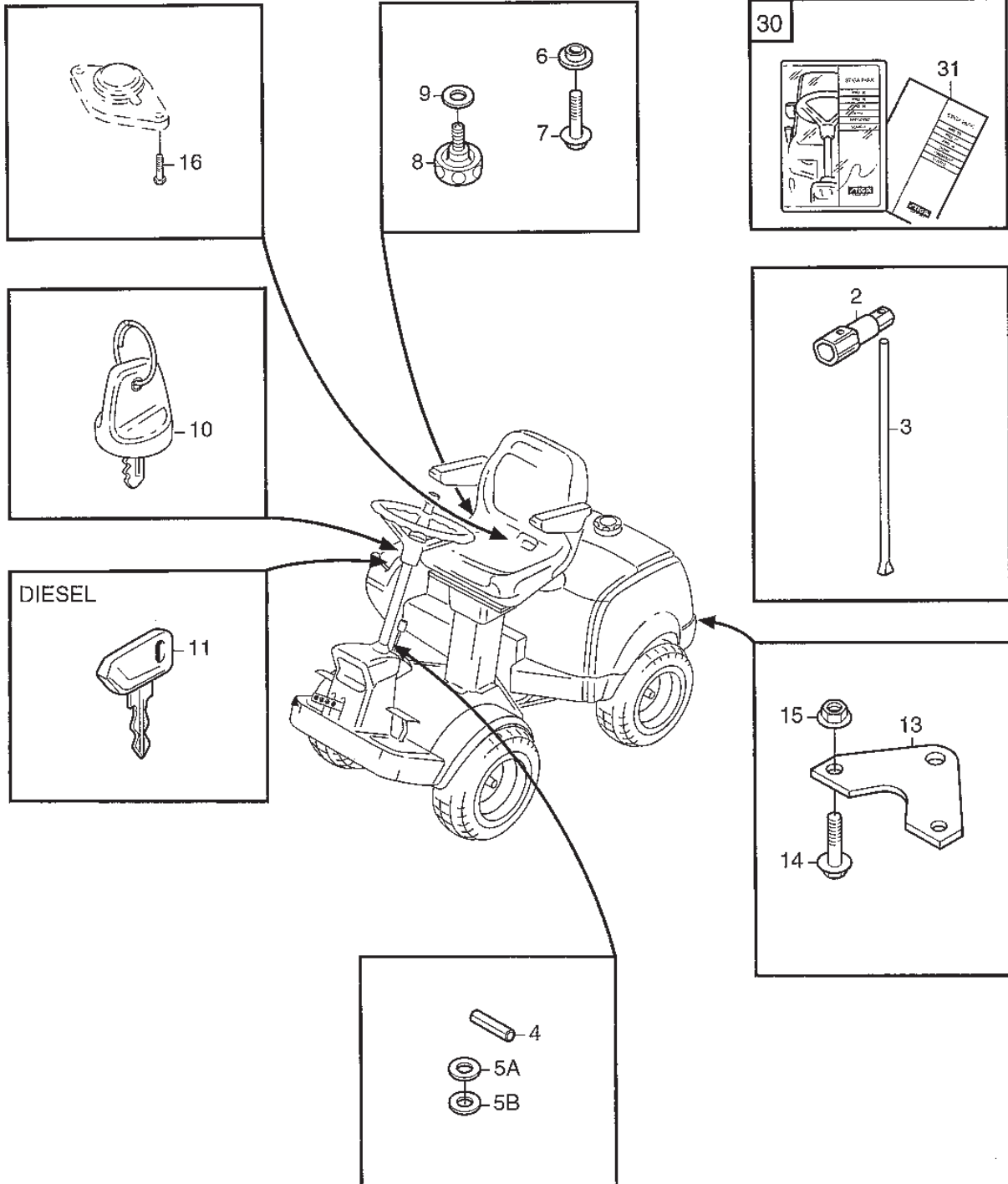
Utgåva Issue 20 - 2015		Kanzaki Transaxel K66B		Kanzaki Transaxle K66B	
Pos. Fig.	Antal Q.ty	Art nr Part No	Benämning	Description	Anmärkning Notes
4	1	1139-1169-01	Övre Hus Kpl	Upper Case Cmp	/K66B
5	1	1139-1212-01	Nedre Hus	Lower Housing	/K66B
6	1	1139-1171-01	OljePlugg	Oil Cap	/K66B
7	5	1139-1006-01	Bult	Bolt	/K66B
8	1	1139-1172-01	Filter	Filter	/K66B
9	1	1139-1057-01	Magnet Kpl	Magnet Assy	/K66B
10	1	1139-1179-01	Nippel	Fitting	/K66B
11	2	1139-1277-01	Bricka	Washer	/K66B
12	1	1139-1104-01	Lasring	Snap Ring	/K66B
13	2	1139-1116-01	O-Ring	O-Ring	/K66B
14	1	1139-1119-01	Tätning	Seal 15*35*7	/K66B
15	1	1139-1124-01	Bult	Bolt	/K66B
16	2	1139-1292-01	Bult	Bolt	/K66B
17	12	1139-0244-01	Skruv	Screw	/K66B
18	1	1139-1178-01	Centrumhus Kpl	Center Case Cmp	/K66B
20	2	1139-1117-01	O-Ring	O-Ring	/K66B
21	1	1139-1158-01	Stift	Pin	/K66B
23	3	1139-1293-01	Bult	Bolt	/K66B
24	2	1139-1139-01	Cylinderblock Kpl	Cylinder Block Assy	/K66B
25	1	1139-1214-01	Pumpaxel	Pump Shaft	/K66B
26	4	1139-1021-01	Lasring	Snap Ring	/K66B
27	1	1139-1110-01	Kullager	Ball Bearing	/K66B
28	1	1139-1170-01	Hus	Housing	/K66B
29	1	1139-1005-01	Axiallager	Thrust Bearing	/K66B
31	1	1139-1160-01	Bricka	Washer	/K66B
32	1	1139-1182-01	Motoraxel	Motor Shaft	/K66B
34	1	1139-1183-01	Lasring	E-Ring	/K66B
35	1	1139-1215-01	Motordrev	Motor Gear	/K66B
36	1	1139-1287-01	Kullager	Ball Bearing	/K66B
38	2	1139-1022-01	Tryckplatta	Metal Thrust	/K66B
39	1	1139-1187-01	Stänkplatta	Swash Plate Cmp	/K66B
40	1	1139-1024-01	Lager	Bearing	/K66B
41	1	1139-1145-01	Tryckbricka	Thrust Plate	/K66B
42	1	1139-1026-01	Tryckplatta	Thrust Plate	/K66B
43	1	1139-1347-01	Fjäder	Spring	/K66B
44	1	1139-1188-01	By-Passaxel	By-Pass Shaft	/K66B
45	1	1139-1189-01	Arm	By-Pass Lever	/K66B
46	1	1139-1161-01	Lasring	Ring	/K66B
47	1	1139-1280-01	Stift	Pin	/K66B
54	1	1139-1285-01	Stift	Pin	/K66B
59	1	1139-1165-01	Tätning	Seal Ring	/K66B
60	1	1139-1191-01	Regleraxel Kpl	Control Shaft Cmp	/K66B
61	1	1139-1190-01	Vridcentrum	Fulcrum (Eccentricity)	/K66B
62	1	1139-1102-01	Bricka	Washer	/K66B
63	2	1139-1115-01	O-Ring	O-Ring	/K66B
64	1	1139-1127-01	Mutter	Nut	/K66B
66	1	1139-1201-01	Differentialdrevsats	Diff.Gear Kit	/K66B
67	2	1139-1203-01	Stift	Pin	/K66B
68	1	1139-1208-01	Slutdrev	Final Gear	/K66B



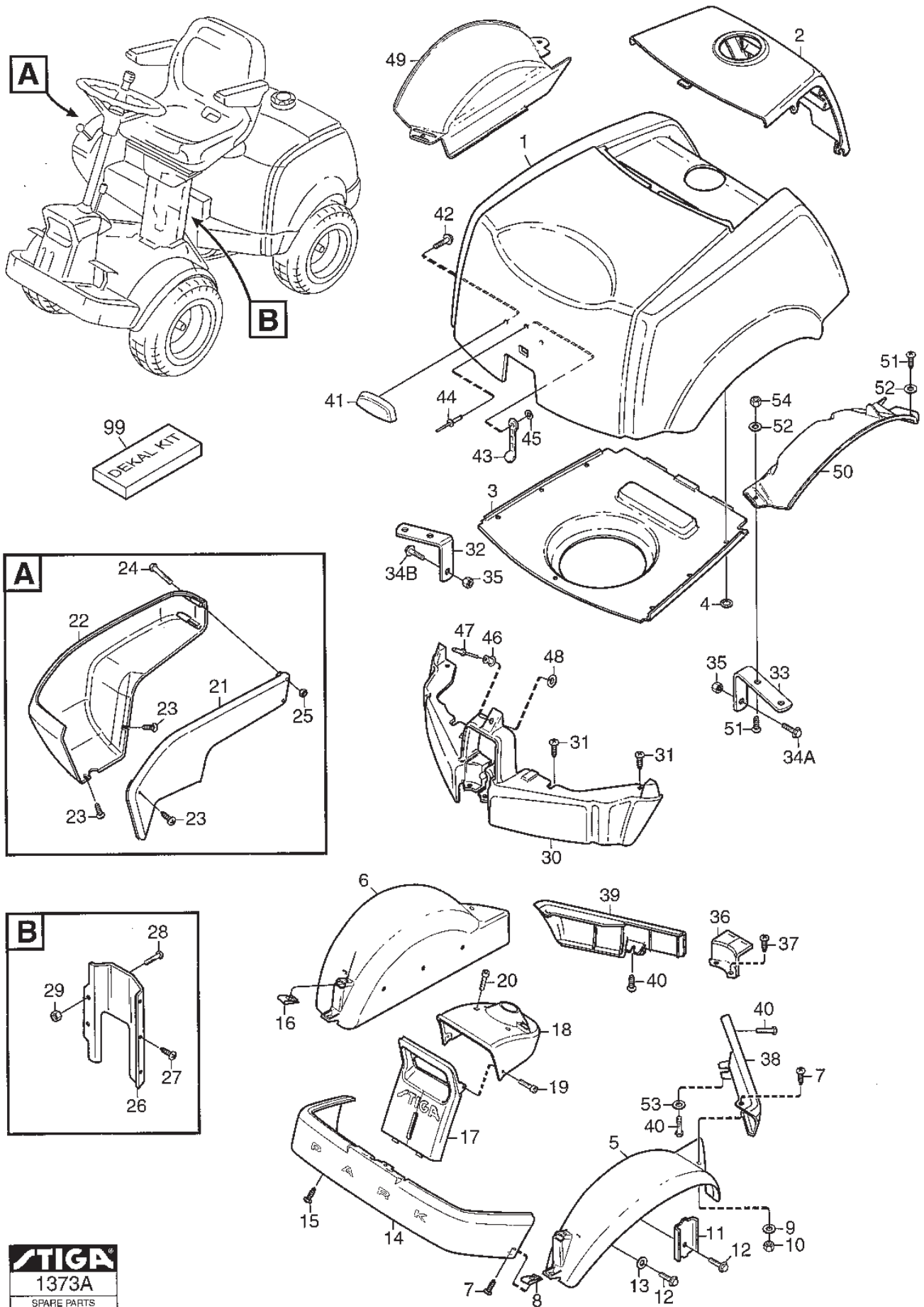
Utgåva Issue 20 - 2015		Kanzaki Transaxel K66B	Kanzaki Transaxle K66B		
Pos. Fig.	Antal Q.ty	Art nr Part No	Benämning	Description	Anmärkning Notes
69	1	1139-1192-01	Axel	Shaft (Final P)	/K66B
70	2	1139-1193-01	Bricka	Washer	/K66B
71	1	1139-1206-01	Reduktionsdrev	Reduction Gear	/K66B
72	1	1139-1209-01	Drev	Final Pinion	/K66B
76	1	1139-1225-01	Hjulaxel Vä	Axle Shaft Left	s/n 000001-002999/ K66B
76	1	1139-1332-01	Hjulaxel-Vä	Axle Shaft-L	s/n 003000-/K66B
77	2	1139-1155-01	Lasring	Ring	/K66B
78	1	1139-1226-01	Hjulaxel Hö	Axle Shaft Right	s/n 000001-002999/ K66B
78	1	1139-1333-01	Hjulaxel-Hö	Axle Shaft-R	s/n 003000-/K66B
79	2	1139-1156-01	Bussning	Bushing	/K66B
80	1	1139-1213-01	Hylsa	Collar	s/n 000001-003373/ K66B
80	1	1139-1330-01	Hylsa	Collar	s/n 003374-/K66B
81	2	1139-1044-01	Tätning	Seal 25.4*42*8	/K66B
82	2	1139-1194-01	Bricka	Thrust Washer	/K66B
85	1	1139-1227-01	Bromsarm	Brake Arm	/K66B
86	1	1139-1228-01	Returfjäder	Return Spring	/K66B
87	1	1139-1195-01	Bromsskiva	Brake Disc	/K66B
88	1	1139-1196-01	Bromssko	Brake Shoe	/K66B
89	1	1139-1198-01	Shimssats	Shim Set	/K66B
90	1	1139-1200-01	Tryckplatta	Brake Actuator	/K66B
91	1	1139-1197-01	Bromsaxel	Brake Shaft	/K66B
92	1	1139-1199-01	Bricka	Washer	/K66B
93	1	1139-1114-01	O-Ring	O-Ring	/K66B
100	2	1139-1278-01	Lasring	Ring	/K66B
103	1	1139-1230-01	Lock	Cap	/K66B
104	1	1139-1290-01	Packning	Packing	/K66B
105	1	1139-1186-01	Filter	Filter	/K66B
107	1	1139-1018-01	Fjäder	Spring	/K66B
109	1	1139-1357-01	Pumphus Kpl	Pump Case Kit	Inkl. pos 136-138,154/ K66B
111	2	1139-1235-01	Anslutning	Connector	/K66B
112	2	1139-1168-01	Packning	Packing	/K66B
113	1	1139-1148-01	Stift	Pin	/K66B
114	2	1139-1350-01	O-Ring	O-Ring	/K66B
115	2	1139-1291-01	Bult	Bolt	/K66B
117	2	1139-1204-01	Nallager	Needle Bearing	/K66B
118	1	1139-1205-01	Hylsa	Collar	/K66B
119	1	1139-1146-01	Lasring	Ring	/K66B
121	1	1139-1217-01	Diffspärrgaffel	Diff.Lock Fork	/K66B
122	1	1139-1349-01	Diff.Spärrarm	Diff.Lock Arm	/K66B
123	1	1139-1219-01	Pivothylsa	Diff.Lock Pivot	/K66B
124	1	1139-1220-01	Fjäderkrok	Spring Hook	/K66B
125	1	1139-1221-01	Fästplatta	Arm Hold Plate	/K66B
126	1	1139-1222-01	Glidhylsa	Diff.Lock Slider	s/n 003000-003373/ K66B
126	1	1139-1331-01	Glidhylsa	Diff.Lock Slider	s/n 003374-/K66B
127	8	1139-1223-01	Stift	Diff.Lock Pin	/K66B



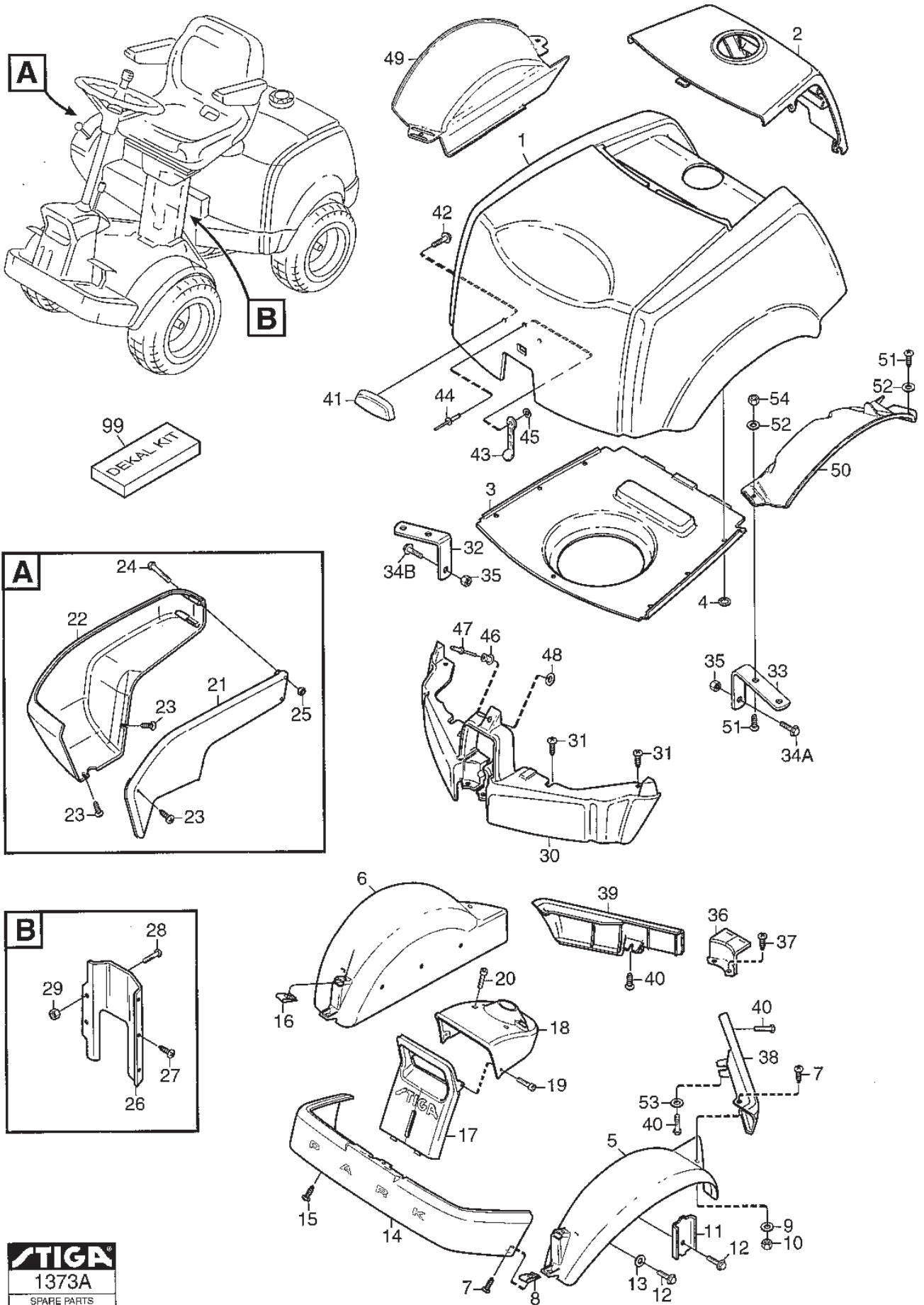
Utgåva Issue 20 - 2015		Kanzaki Transaxel K66B		Kanzaki Transaxle K66B	
Pos. Fig.	Antal Q.ty	Art nr Part No	Benämning	Description	Anmärkning Notes
128	1	1139-1224-01	Diffspärrsplatta	Diff.Lock Plate	/K66B
129	2	1139-1289-01	Packning	Packing	/K66B
131	2	1139-1166-01	Stift	Pin	/K66B
136	1	1139-1154-01	Ventil Kpl	Valve Cmp	/K66B
138	1	1139-1234-01	Ventil	Check Cmp	/K66B
153	1	1139-1144-01	Returfjäder	Return Spring	/K66B
154	1	1139-1153-01	Ventil Kpl	Valve Cmp	/K66B



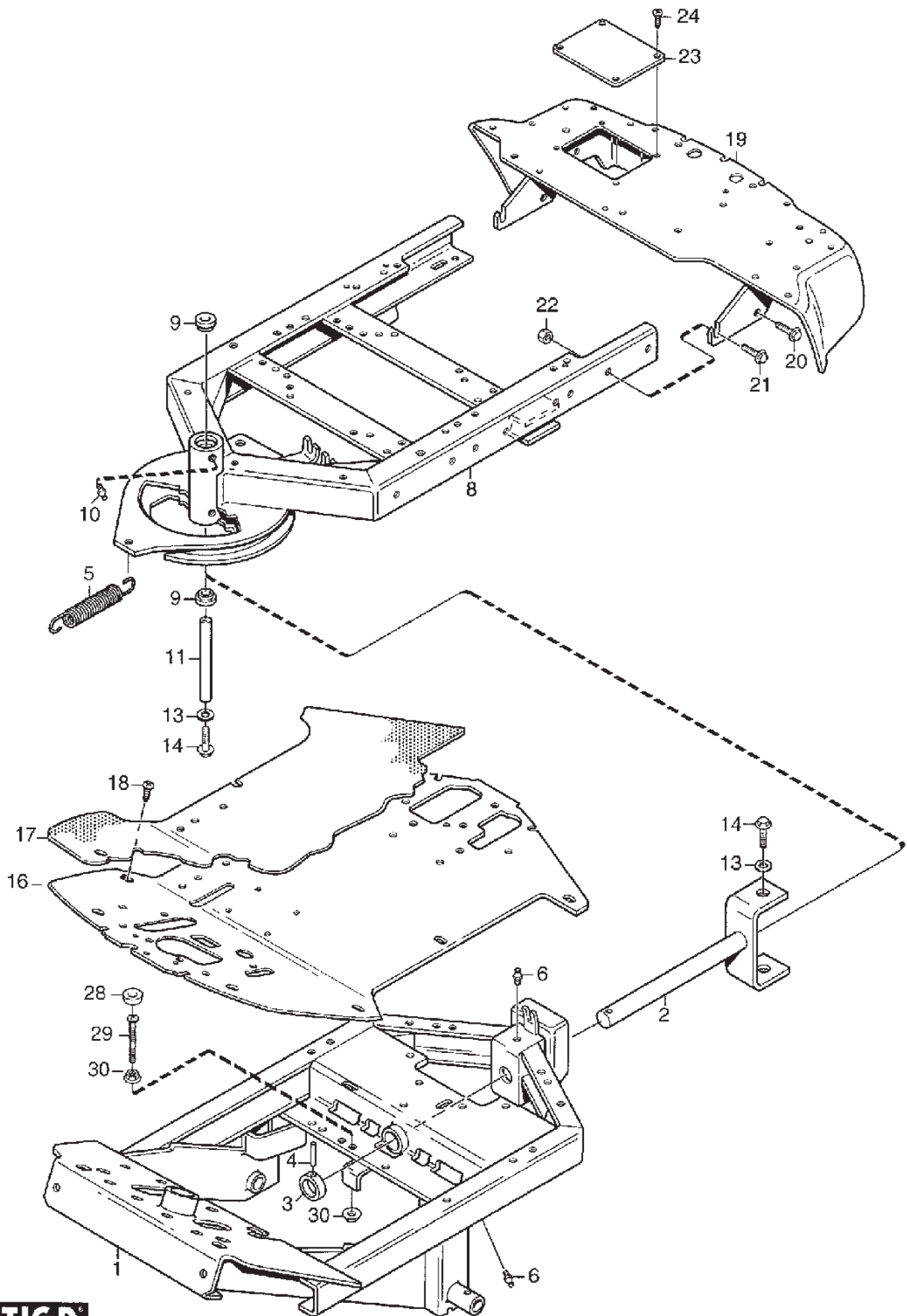
Utgåva Issue 20 - 2015		Monteringsdetaljer Assembly parts			
Pos. Fig.	Antal Q.ty	Art nr Part No	Benämning	Description	Anmärkning Notes
0	1	1134-4249-01	Tillbehörspåse	Accessory Bag	
2	1	1134-4541-01	Nyckel för tändningsglas	Spark Plug Wrench	5/8" (16 mm)/21 mm
3	1	1111-2113-01	Stang	Rod	
4	1	9595-0262-00	Spännstift	Locating Pin	
5	1	9699-0103-02	Bricka	Washer	0.5 mm
5	1	9699-0114-02	Bricka	Washer	1.0 mm
6	2	1134-4185-01	Ansatsbricka	Flange Washer	
7	2	9959-0820-16	Skruv	Screw	
8	2	1134-2609-01	Lasratt	Locking Knob	
9	2	9699-0062-02	Bricka	Washer	
10	2	1134-4734-01	Tändningsnyckel	Ignition Key	
13	1	1134-4003-01	Dragplatta 24	Towing Plate	
14	2	9959-0820-16	Skruv	Screw	
15	2	9739-0831-22	Mutter	Nut	
16	2	9837-8914-12	Skruv	Screw	6112, 6113, 6143
30	1	1134-3771-57	Förp Instr.Bok (Park)	Folder W Manuals (Park)	
30	1	1134-3771-68	Fp Instr.Bok (Park Bensin)	Folder W Manuals (Park Gasoline)	
31	1	8211-0209-10	Säkerhetsföreskrift Rider	Safety Regulations Ride-Ons	
31	1	8211-0209-11	Säkerh. Föreskrifter Front Mowers	Safety Regulations Front Mowers	
31	1	8211-0276-04	Bruksanvisning	Owner's Manual	
31	1	8211-0276-05	Bruksanvisning	Owner's Manual	
31	1	8211-0277-03	Servicehäfte Park	Service Book Park	
31	1	8211-0277-04	Servicebok Park	Service Book Park	
31	1	8211-0278-04	Monteringsanvisning	Assembly Instruction Park	
31	1	8211-0278-05	Monteringsanvisning	Assy Instruction Park	
31	1	8211-0321-04	Eg-Deklaration Park	Eu-Declaration Park	
31	1	8211-0321-05	Eg-Försäkran Park	Certificate Park	
31	1	8211-2002-03	Garantikort Rider	Warranty Card	



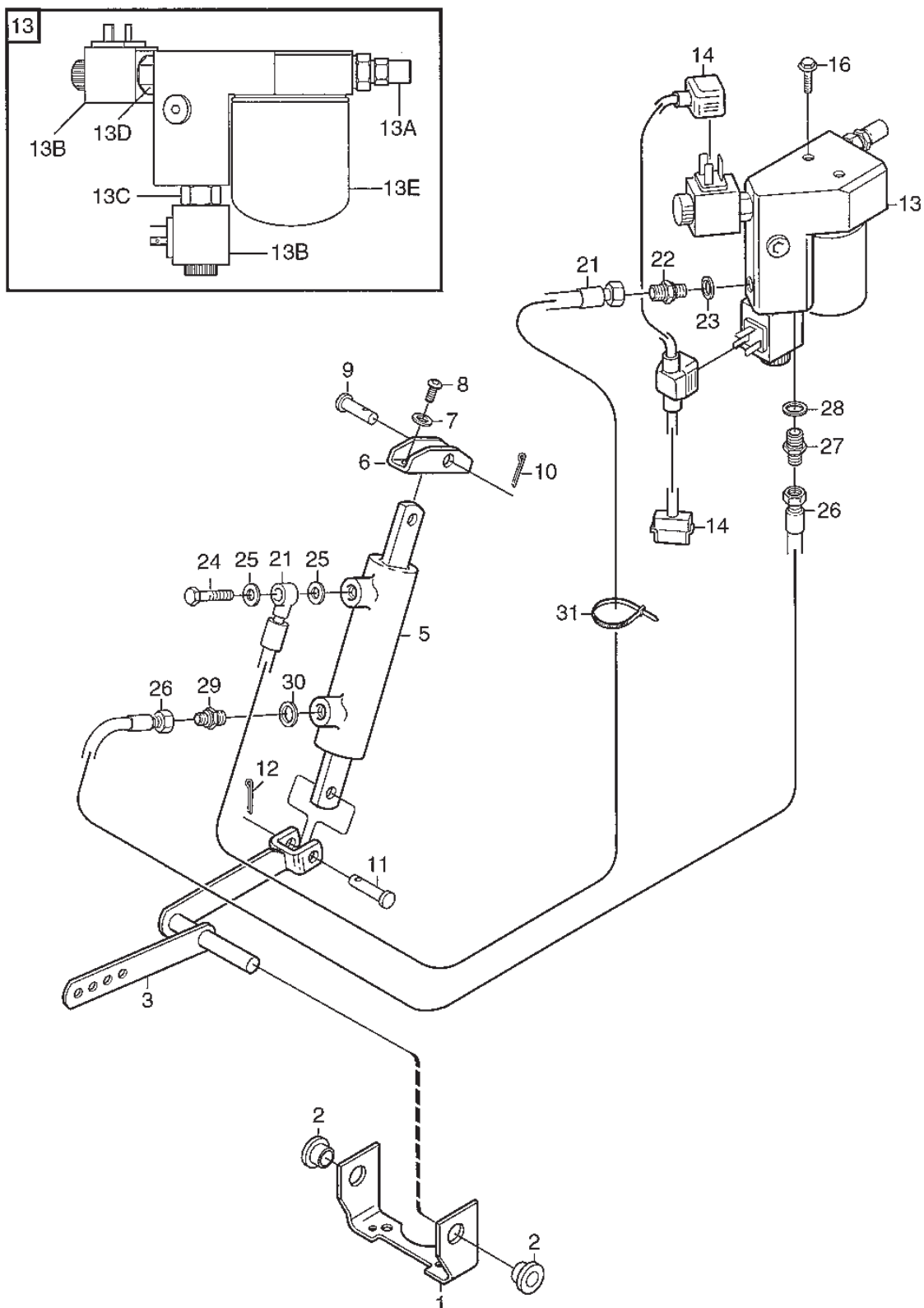
Utgåva Issue 20 - 2015		Chassi	Chassis		
Pos. Fig.	Antal Q.ty	Art nr Part No	Benämning	Description	Anmärkning Notes
1	1	1134-4797-01	Motorhuv	Engine Hood	
2	1	1134-3971-01	Motorlucka-Gra Stiga	Engine Cover-Grey	
3	1	1134-3978-01	Luftkanalplatta	Air Duct Plate	
4	7	9675-0008-02	Starlockbricka	Starlock	
5	1	1134-3943-01	Skärm Vänster	Mud Guard-Left	
6	1	1134-3943-02	Skärm Höger	Mud Guard-Right	
7	4	9893-0616-16	Skruv	Screw	
8	2	1134-4176-01	Clips	Clips	
9	2	9699-0025-02	Bricka	Washer	
10	2	9747-0631-02	Mutter	Nut	
11	2	1134-0225-00	Stödplat	Support Plate	
12	6	9945-0816-16	Skruv	Screw	
13	4	9699-0056-02	Bricka	Washer	
14	1	1134-4220-02	Stötfangare-Fram	Front Bumper	
15	6	9893-0616-16	Skruv	Screw	
16	2	1134-4176-01	Clips	Clips	
17	1	1134-4216-01	Frontkonsol Med Tryck	Frontplate-Grey (W/O Hole)	
18	1	1134-3984-01	Frontdekor Överdel Gra	Upper Front Plate-Grey	
19	2	9840-8009-16	Skruv	Screw	
20	2	9946-0525-16	Skruv	Screw	
21	1	1134-4360-01	Kapa-Inre (1-00)	Cover-Inner	
22	1	1134-3979-01	Kapa Yttre1-00	Cover-Outer	
23	5	9946-0525-16	Skruv	Screw	
24	2	9950-0570-12	Skruv	Screw	
25	2	9747-0531-02	Mutter	Nut	
26	1	1134-4152-01	Skyddskapa 1-00 F12	Cover	
27	3	9893-0616-16	Skruv	Screw	
28	2	9893-0616-16	Skruv	Screw	
29	2	9739-0631-22	Mutter	Nut	
30	1	1134-4798-01	Spoiler-Gra	Spoiler-Grey	
31	4	9893-0616-16	Skruv	Screw	
32	1	1134-4012-03	Stöd-Hö	Support, Right	
33	1	1134-4012-04	Stöd-Vä	Support, Left	
34	1	9959-0820-16	Skruv	Screw	L = 20 mm
34	1	9959-0830-16	Skruv	Screw	L = 30 mm
35	2	9739-0831-22	Mutter	Nut	
36	1	1134-3985-01	Täcklock	Cover	
37	2	9893-0616-16	Skruv	Screw	
38	1	1134-3970-05	Kantlist-Vä (Gra) 7-14	Moulding-Left (Grey)	
39	1	1134-3970-02	Kantlist-Hö (Gra) 7-14	Moulding Right-Grey	
40	3	9893-0616-16	Skruv	Screw	
41	1	1134-4799-02	Handtag (Svart) 5-01	Handle (Black)	
42	2	9838-9516-12	Skruv	Screw	
43	1	1134-9028-01	Gummistropp (3 St)	Rubber Strap (3 Pcs)	Sats 3 st/kit of 3
44	1	9632-0516-00	Popnit Tap/D/Bs 416 Gf9.5	Pop Rivet	
45	1	9699-0120-02	Bricka	Washer	
46	1	9405-0029-00	Knopp	Knob	
47	1	9632-0513-00	Popnit1-0420 Bs [Tap/D Bs] 3,2X20	Pop Rivet	
48	1	9699-0120-02	Bricka	Washer	



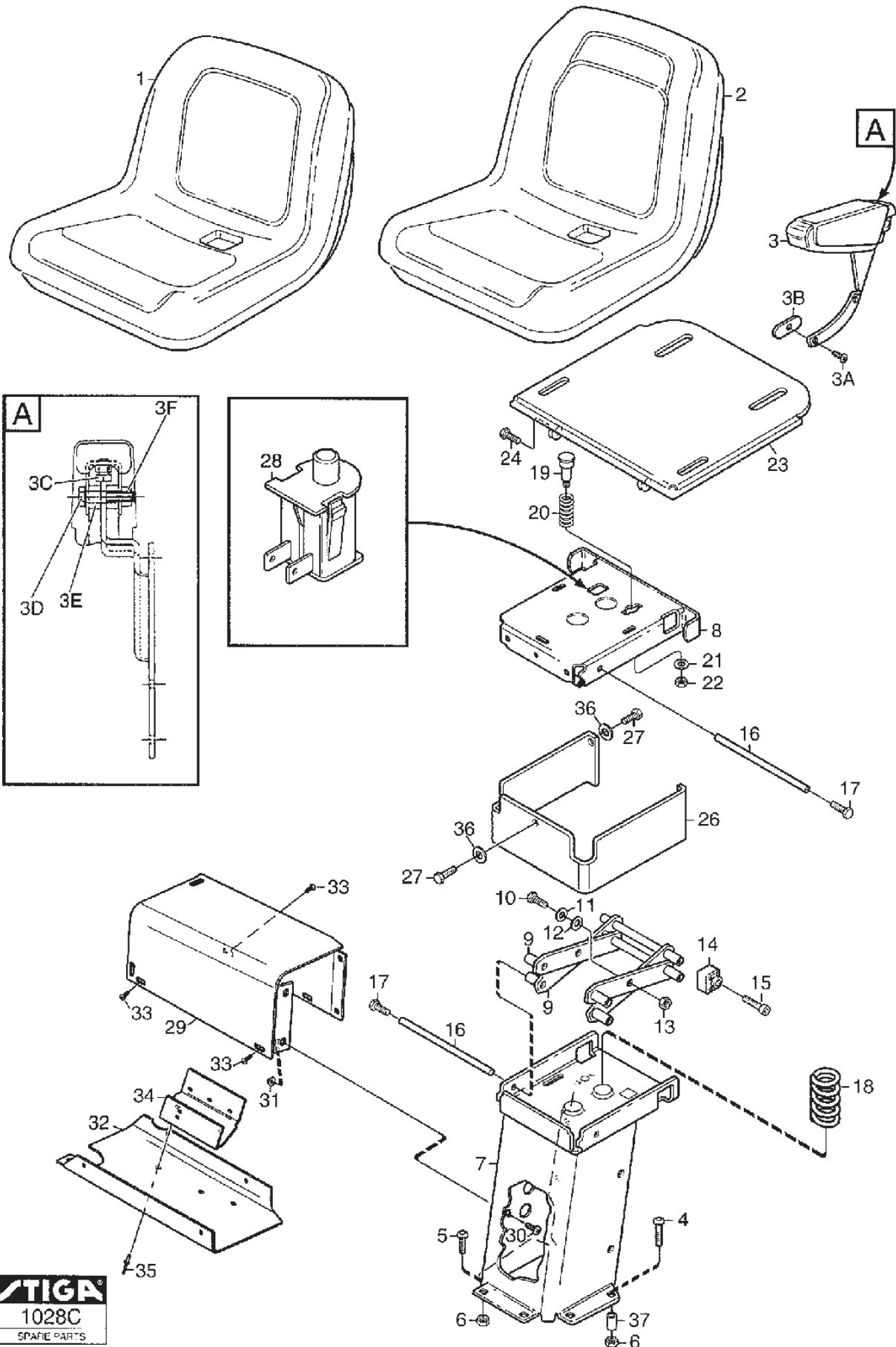
Utgåva Issue 20 - 2015		Chassi Chassis			
Pos. Fig.	Antal Q.ty	Art nr Part No	Benämning	Description	Anmärkning Notes
49	1	1134-4800-01	Innerskärm-Hö (Park)	Inner Mud Guard-Rh (Park)	
50	1	1134-4801-01	Innerskärm-Vä (Park)	Inner Mud Guard-Lh (Park)	
51	4	9893-0616-16	Skruv	Screw	
52	4	9699-0060-02	Bricka	Washer	
53	1	9699-0060-02	Bricka	Washer	
54	1	9747-0631-02	Mutter	Nut	
99	1	1134-4593-06	Dekalsats	Label Kit	Pro 20



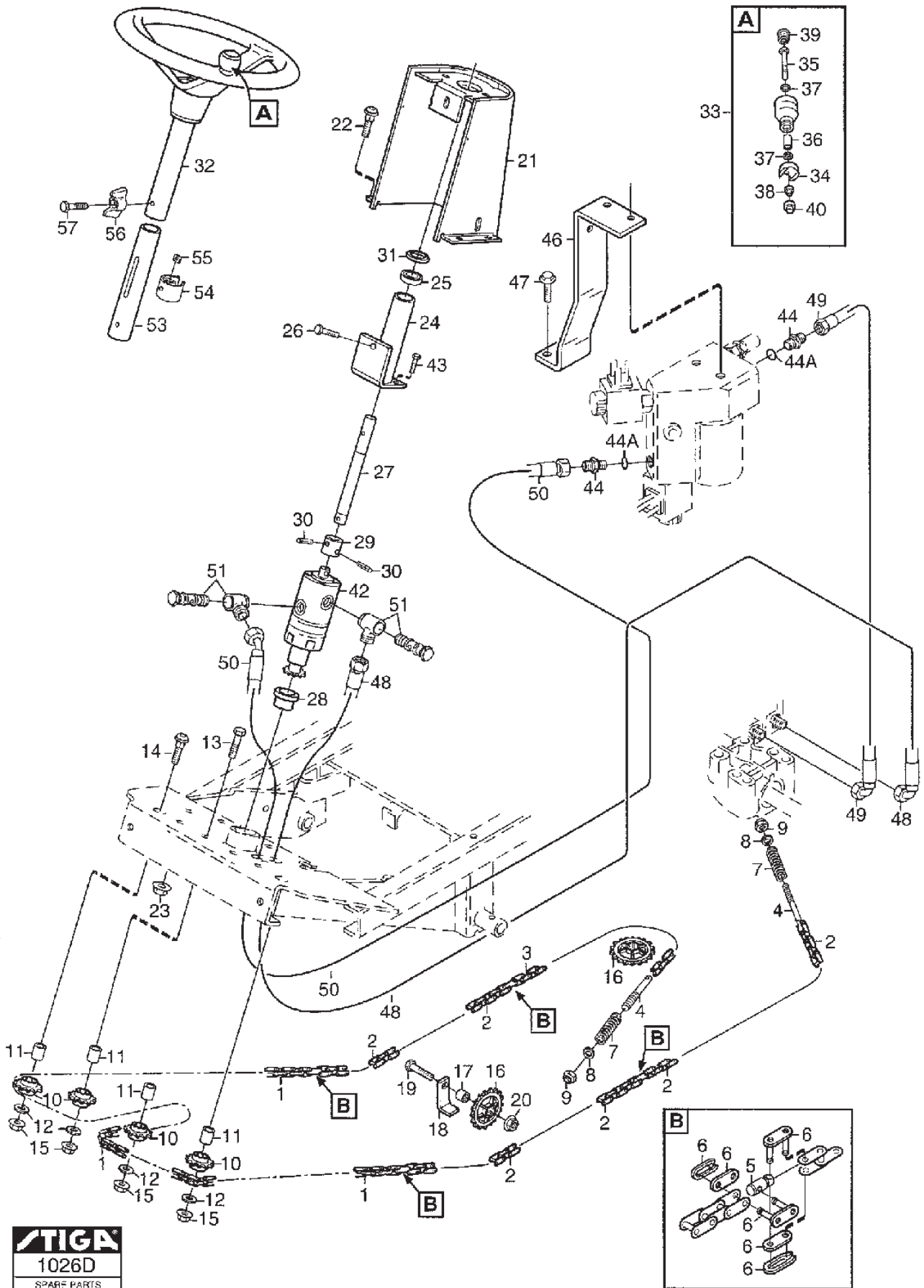
Utgåva Issue 20 - 2015		Ram (Bensin Motorer)		Frame (Petrol Engines)	
Pos. Fig.	Antal Q.ty	Art nr Part No	Benämning	Description	Anmärkning Notes
1	1	1134-5315-01	Frame-Front	Frame-Front	
2	1	1134-3963-02	Midjegaffel Service 5-01 H10	Fork	
3	1	1134-0031-00	Ledaxelstopp	Pivot Shaft Stop	
4	1	9595-0262-00	Spännstift	Locating Pin	
5	1	1134-2171-01	Fjäder	Spring	
6	2	9501-0500-00	Smörjkopp Kort Rak	Grease Dispenser	
8	1	1134-5313-01	Ram-Bakre (5-01)	Frame-Rear (5-01)	
9	2	9547-0001-00	Ledlager Ge17Es	Bearing	
10	2	9501-0500-00	Smörjkopp Kort Rak	Grease Dispenser	
11	1	1134-3968-02	Centrumaxel	Centre Shaft	
13	2	9699-0035-02	Bricka	Washer	
14	2	9959-1020-16	Skruv	Screw	
16	1	1134-5294-01	Durk (5-01)	Floor Plate (5-01)	
17	1	1134-5514-01	Durkmatta Hst Stiga	Floor Mat Hst	
18	2	9893-0616-16	Skruv	Screw	
19	1	1134-4833-01	Stötfangare	Rear Bumper-Grey	
20	2	9945-0816-16	Skruv	Screw	
21	2	9959-0820-16	Skruv	Screw	
22	2	9739-0831-22	Mutter	Nut	
23	1	1134-4167-01	Lucka	Cover	
24	4	9840-8009-16	Skruv	Screw	



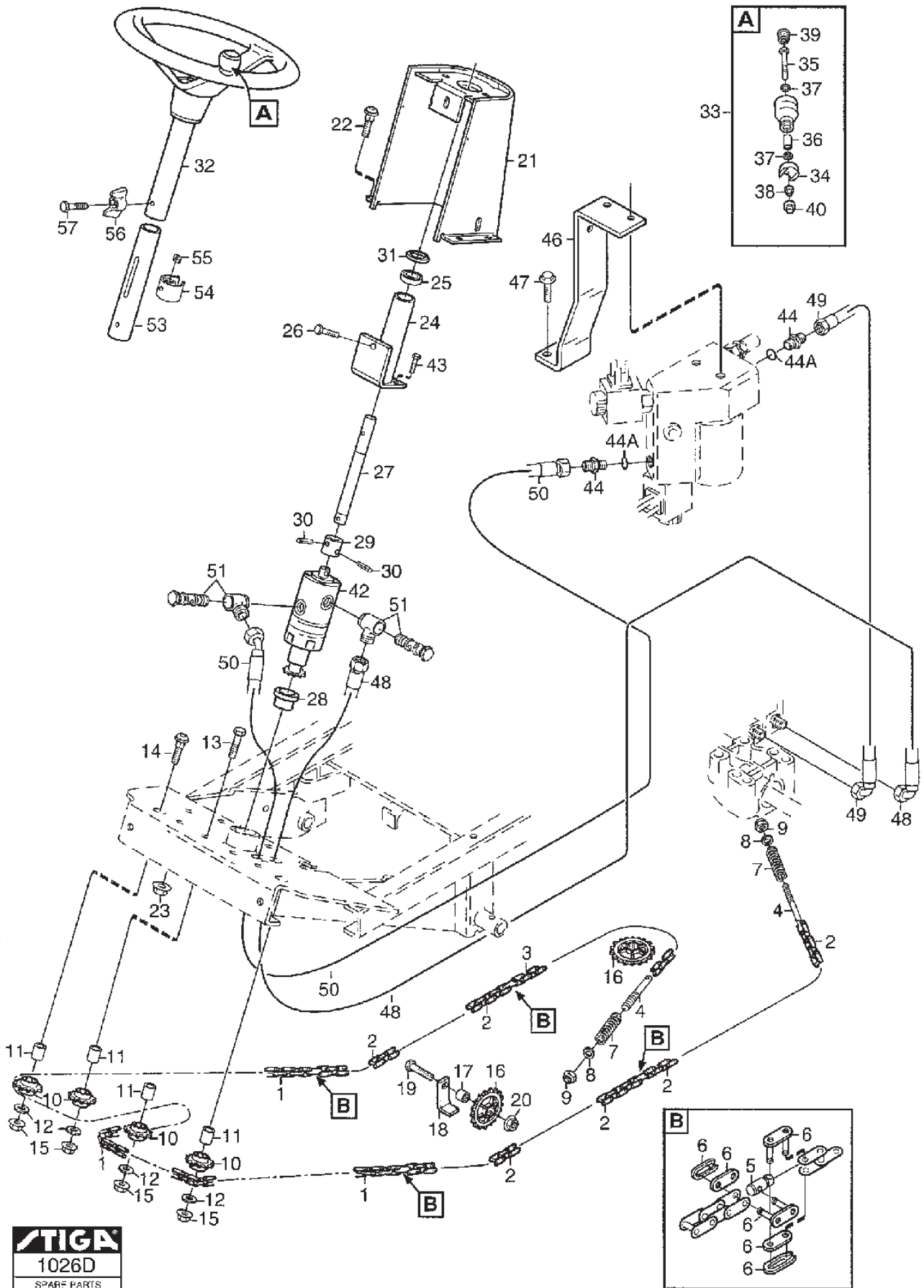
Utgåva Issue 20 - 2015					
Pos. Fig.	Antal Q.ty	Art nr Part No	Benämning	Description	Anmärkning Notes
1	1	1134-4117-01	Fäste	Bracket	
2	2	1134-2684-01	Lager	Bearing	
3	1	1134-4812-01	Lyftarm	Lift Lever	
5	1	1134-4809-01	Hydraulcylinder	Hydraulic Cylinder	
6	1	1134-4815-01	Cylinderfäste	Cylinder Bracket	
7	2	9699-0025-02	Bricka	Washer	
8	2	9893-0616-16	Skruv	Screw	
9	1	1134-4816-01	Stift	Pin	Ø 10 x 29
10	1	9599-0054-02	SaxSprint	Split Pin	
11	1	1134-4817-01	Stift	Pin	Ø 10 x 34
12	1	9599-0054-02	SaxSprint	Split Pin	
13	1	1134-5120-01	Hydraulventil Kpl	Hydraulic Valve Assy	
13	1	1134-5242-01	Tryckbegränsningsventil (30 Svärd)	Pressure Restriction Valve (30 Bar)	30 bar
13	2	1134-5241-01	Magnetspole (12Vdc-18W)	Magnet Spool (12Vdc-18W)	12V DC, 18W
13	1	1134-5240-01	Elventil (Nc)	Electric Valve (Nc)	NC
13	1	1134-5239-01	Elventil (No)	Electric Valve (No)	NO
13	1	1134-4109-01	Oljefilter	Oil Filter	
14	1	1134-5028-01	Kontaktidon	Contact Unit	
16	2	9959-0612-16	Skruv	Screw	
21	1	1134-4819-02	Hydraulslang	Hydraulic Tube	
22	1	1134-4824-01	Adapter	Adapter	1/4" x 1/8"
23	1	1134-4948-01	Bricka	Washer	1/4"
24	1	1134-4826-01	Banjoskruv (R1/8")	Banjo Bolt	
25	2	1134-4947-01	Bricka	Washer	
26	1	1134-4820-01	Hydraulslang	Hydraulic Tube	
27	1	1134-4824-01	Adapter	Adapter	1/4" x 1/8"
28	1	1134-4948-01	Bricka	Washer	1/4"
29	1	1134-4825-01	Adapter	Adapter	1/8" x 1/8"
30	1	1134-4947-01	Bricka	Washer	
31	4	9579-0003-00	Buntband	Cable Holder	



Utgåva Issue 20 - 2015		Sits	Seat		
Pos. Fig.	Antal Q.ty	Art nr Part No	Benämning	Description	Anmärkning Notes
2	1	1134-4224-01	Sits (Xb180)	Seat	
2	1	8290-9014-01	Sitsöverdrag/Värmedyna	Seat Cover	Ej ill/not ill.
3	1	1134-4225-01	Armstöd (för Xb180, Xb150)	Arm Rest	
3	6	1134-5095-01	Skruv	Screw	
3	6	1134-5096-01	Mutter	Nut	
3	2	9988-3713-16	Skruv	Screw	L = 13 mm
3	2	9988-3745-12	Skruv	Screw	L = 45 mm
3	4	1134-5094-01	Distans	Spacer	
3	2	9795-3731-02	Mutter	Nut	
4	2	9897-0880-12	Skruv	Screw	L = 80 mm
5	4	9897-0820-16	Skruv	Screw	L = 20 mm
6	6	9747-0831-02	Mutter	Nut	
7	1	1134-4085-01	Sitskonsol Kpl. 02	Seat Bracket	
8	1	1134-4144-01	Övre Platta Kpl 5-01 F12	Upper Seat Plate	
9	2	1134-4083-01	Länkkarm Kpl.	Pivot Link	
10	2	1134-0240-00	Skruv	Screw	
11	2	9699-0069-02	Bricka	Washer	
12	2	9665-0002-00	Bricka	Washer	
13	2	9747-0831-02	Mutter	Nut	
14	4	1134-4084-01	Glidsko	Slide Block	
15	4	9939-0816-16	Skruv	Screw	
16	2	1134-4082-03	Axel	Shaft	
17	4	9959-0816-16	Skruv	Screw	
18	2	1134-4160-01	Fjäder	Spring	
19	1	1134-4153-01	TryckSprint	Push Pin	
20	1	1134-4159-01	Fjäder	Spring	
21	1	9699-0056-02	Bricka	Washer	
22	1	9739-0831-22	Mutter	Nut	
23	1	1134-4213-01	Glidplatta Kpl 5-01 L 02	Slide Plate	
24	2	1134-0240-00	Skruv	Screw	
26	1	1134-4142-01	Svep	Cover	
27	3	9849-8013-16	Skruv	Screw	
28	1	1134-3156-01	Brytare	Switch	
29	1	1134-3990-01	Armsvep Kpl 041-00	Attachment-Side Panel	
30	2	9897-0820-16	Skruv	Screw	
31	2	9739-0831-22	Mutter	Nut	
32	1	1134-4130-01	Undre Lock (1-00)	Cover Lower	
33	4	9840-8009-16	Skruv	Screw	
34	1	1134-4135-01	Relähallare 24	Relay Holder	
35	2	9632-0522-00	Popnit, 1661-0512 D4X9,5	Pop Rivet	
36	3	9699-0087-02	Bricka	Washer	
37	2	1134-1565-08	Distans	Spacer	

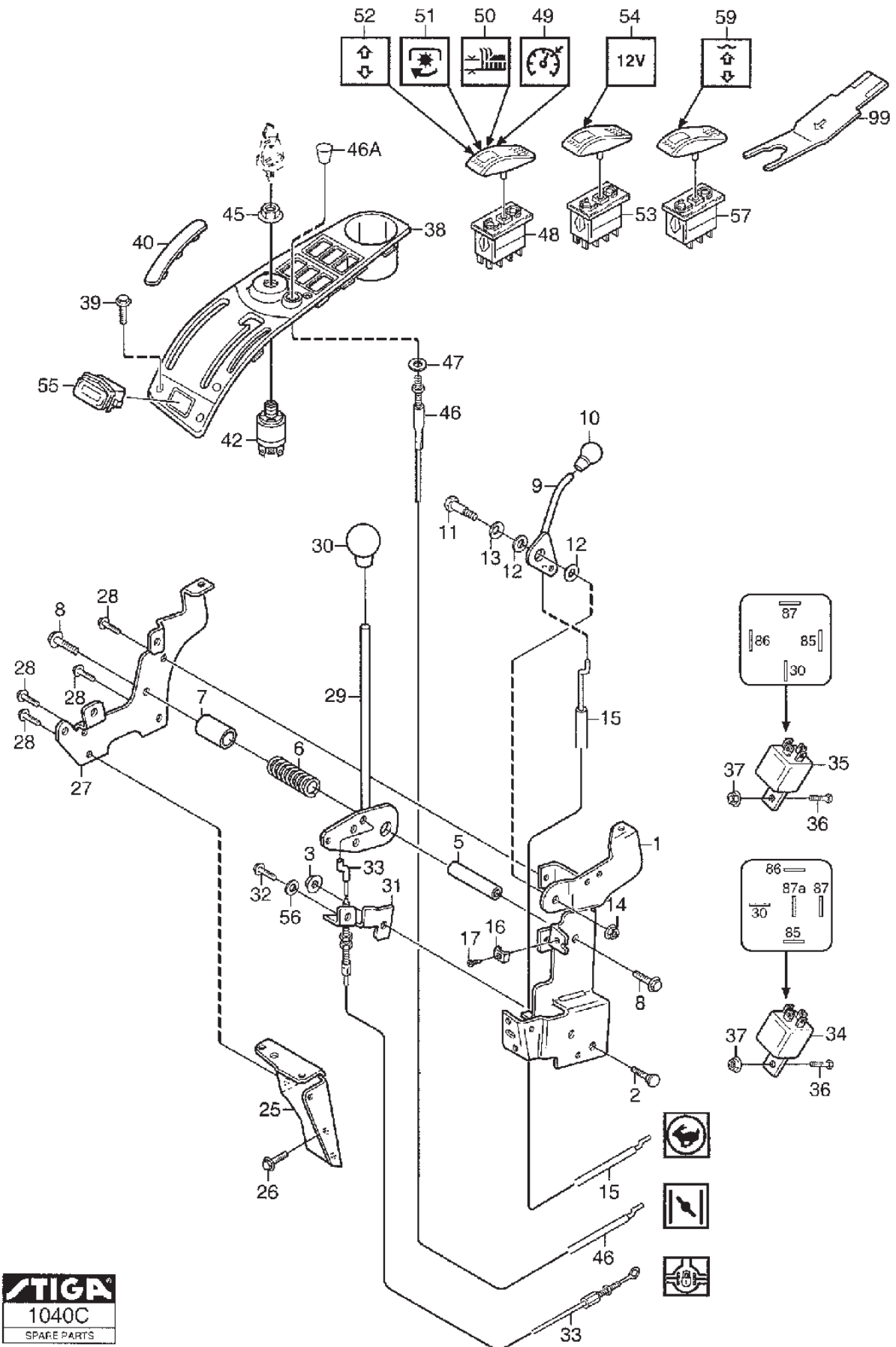


Utgåva Issue 20 - 2015		Styrning		Steering	
Pos. Fig.	Antal Q.ty	Art nr Part No	Benämning	Description	Anmärkning Notes
1	1	1134-2820-06	Kedja	Chain	83 länk
2	3	1134-2820-02	Kedja	Chain	41 länk
3	1	1134-2820-04	Kedja	Chain	45 länk
4	2	1134-3550-01	Ändnippel (L110)	End Nipple	
5	4	1134-3565-01	Skarvnippel	Connection Nipple	
6	10	1134-2824-01	Kedjelas	Chain Lock	
7	2	1134-3817-01	Fjäder	Spring	
8	2	9699-0090-02	Bricka Bricka	Washer Washer	
9	2	9747-0831-02	Mutter	Nut	
10	4	1134-2816-01	Kedjehjul	Sprocket	
11	4	1134-0041-02	Bussning	Bushing	
12	4	9699-0035-02	Bricka	Washer	
13	2	9997-1050-16	Skruv	Screw	
14	2	9897-1040-12	Skruv	Screw	
15	4	9739-1031-22	Mutter	Nut	
16	3	1134-3547-01	Kedjehjul	Sprocket	
17	2	1134-0041-01	Bussning	Bushing	
18	2	1134-3022-01	Fäste	Bracket	
19	2	9997-1030-16	Skruv	Screw	
20	2	9739-1031-22	Mutter	Nut	
21	1	1134-4120-03	Styrkonsol	Steering Console	
22	4	9897-0820-16	Skruv	Screw	
23	4	9739-0831-22	Mutter	Nut	
24	1	1134-4113-01	Rattrör Nedre Kpl 15	Steering Tube Lower	
25	1	9549-0017-00	Kullager	Ball Bearing	
26	1	9945-0816-16	Skruv	Screw	
27	1	1134-4087-01	Rattstang	Steering Rod	
28	1	1134-4114-01	Bussning	Bushing	
29	1	1134-4118-01	Koppling	Coupling	
30	2	9595-0256-01	Spännstift 6X28 Typ N Iso 8750	Locating Pin	
31	1	9695-0011-00	Bricka	Washer	
32	1	1134-5173-02	Ratt Kpl	Steering Wheel	
33	1	1134-3769-01	Styrknopp Kpl Service	Steering Wheel Button Kit	
34	1	1134-3752-01	Knoppfäste	Knob Holder	
35	1	9997-0865-12	Skruv	Screw	
36	1	1134-1565-06	Distans	Spacer	
37	2	9699-0090-02	Bricka Bricka	Washer Washer	
38	1	9747-0831-02	Mutter	Nut	
39	1	9403-0043-70	Plugg	Plug	
40	1	9403-0113-00	Ringmutter	Ring Nut	
42	1	1134-5162-01	Momentförstärkare	Steering Booster	
43	3	9939-0612-16	Skruv	Screw	
44	2	9404-0028-01	O-Ring 11,89 X 1,98	O-ring	
44	2	1134-4282-01	Hydraulnippel	Hydraulic Nipple	9/16" x 9/16"
46	1	1134-4982-02	Filterfäste 5-01 F24	Filter Bracket	
47	2	9945-0816-16	Skruv	Screw	
48	1	1134-5098-01	Hydraulslang	Hydraulic Tube	L = 1690 mm
49	1	1134-4229-01	Hydraulslang	Hydraulic Hose	L = 615 mm
50	1	1134-5099-01	Hydraulslang	Hydraulic Tube	L = 1300 mm



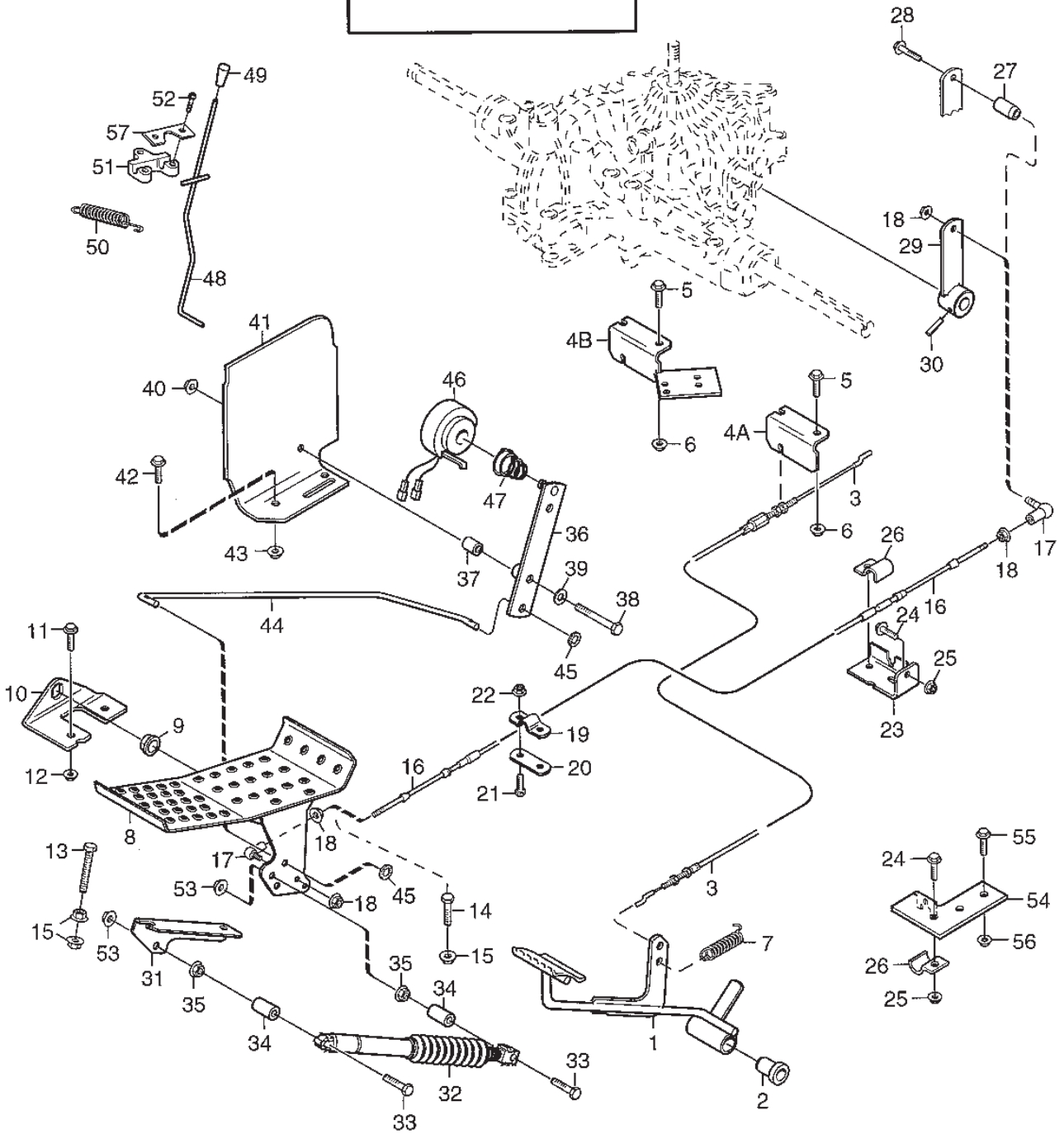
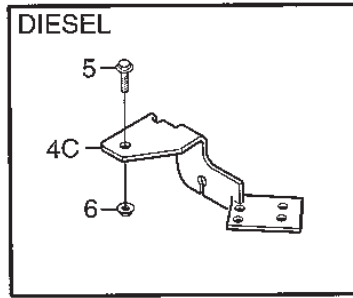
STIGA
1026D
SPARE PARTS

Utgåva Issue 20 - 2015		Styrning Steering			
Pos. Fig.	Antal Q.ty	Art nr Part No	Benämning	Description	Anmärkning Notes
51	2	1134-5100-01	Banjokoppling	Banjo Nipple	
53	1	1134-5216-01	Rattrör-Inre Kpl	Steering Tube-Inner Assy	
54	1	1134-5177-01	Slid	Slide	
55	1	9710-0631-12	Lasmutter	Nut	
56	1	1134-4481-02	Vingmutter	Wing Nut	
57	1	9997-0630-12	Skruv	Screw	

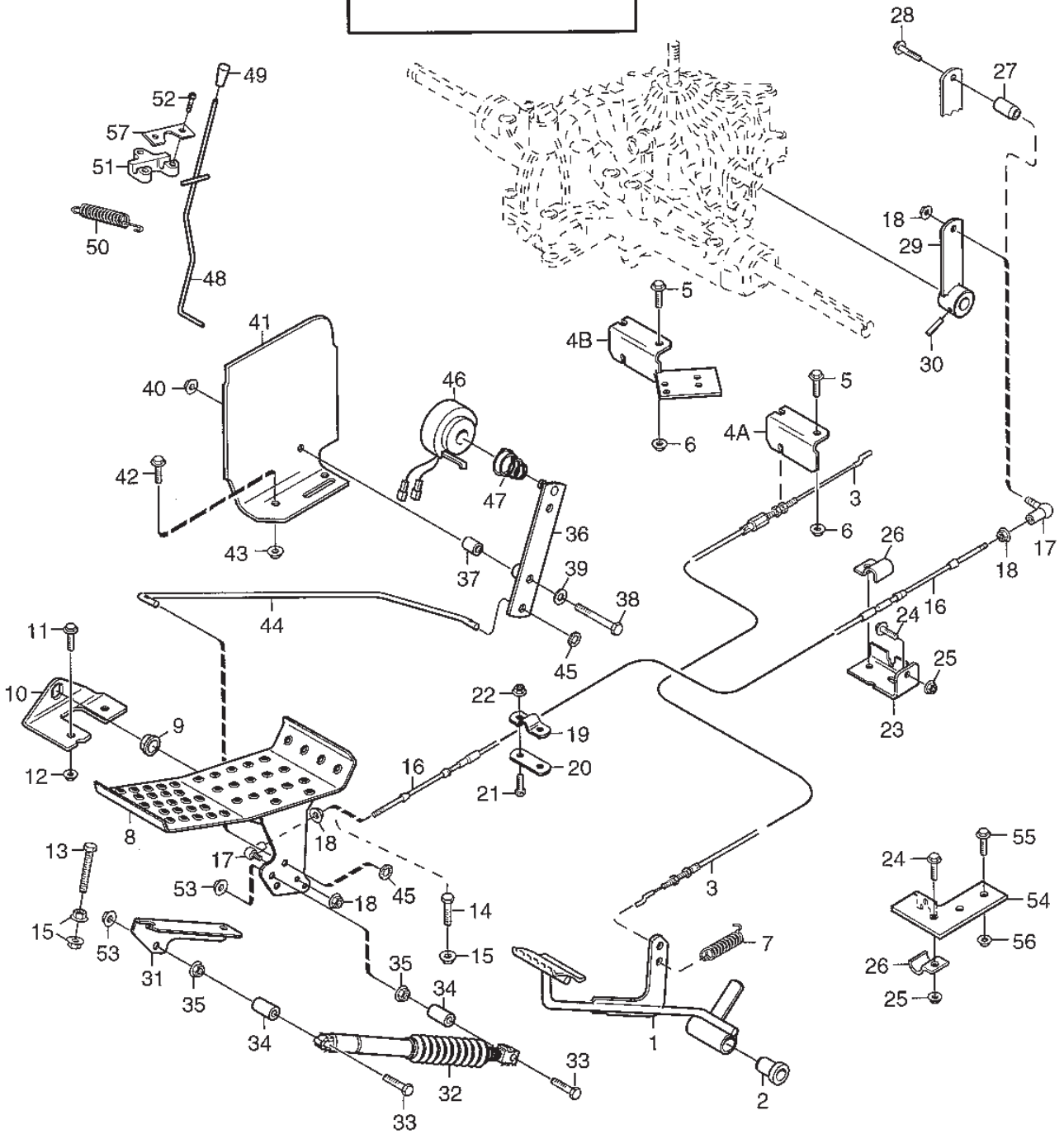
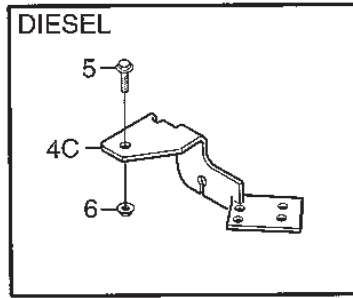


STIGA
1040C
SPARE PARTS

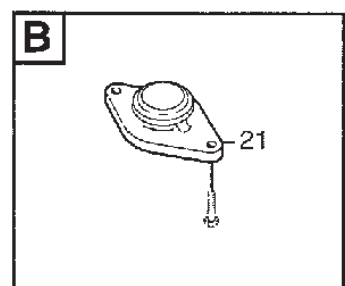
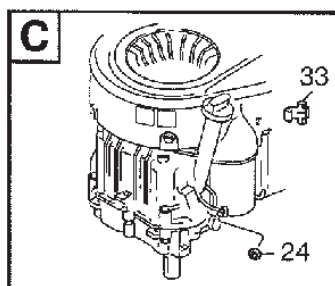
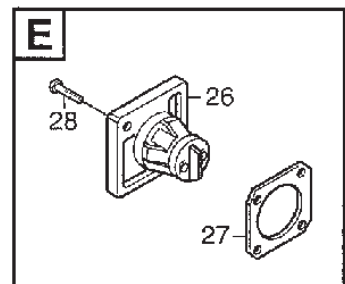
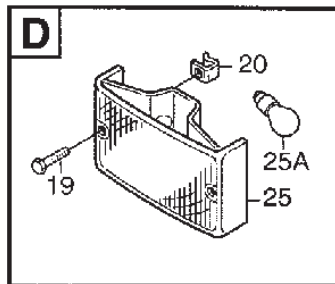
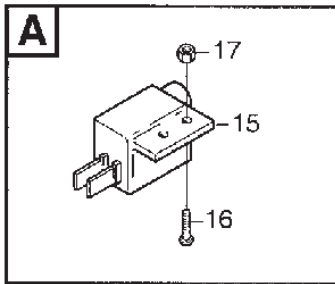
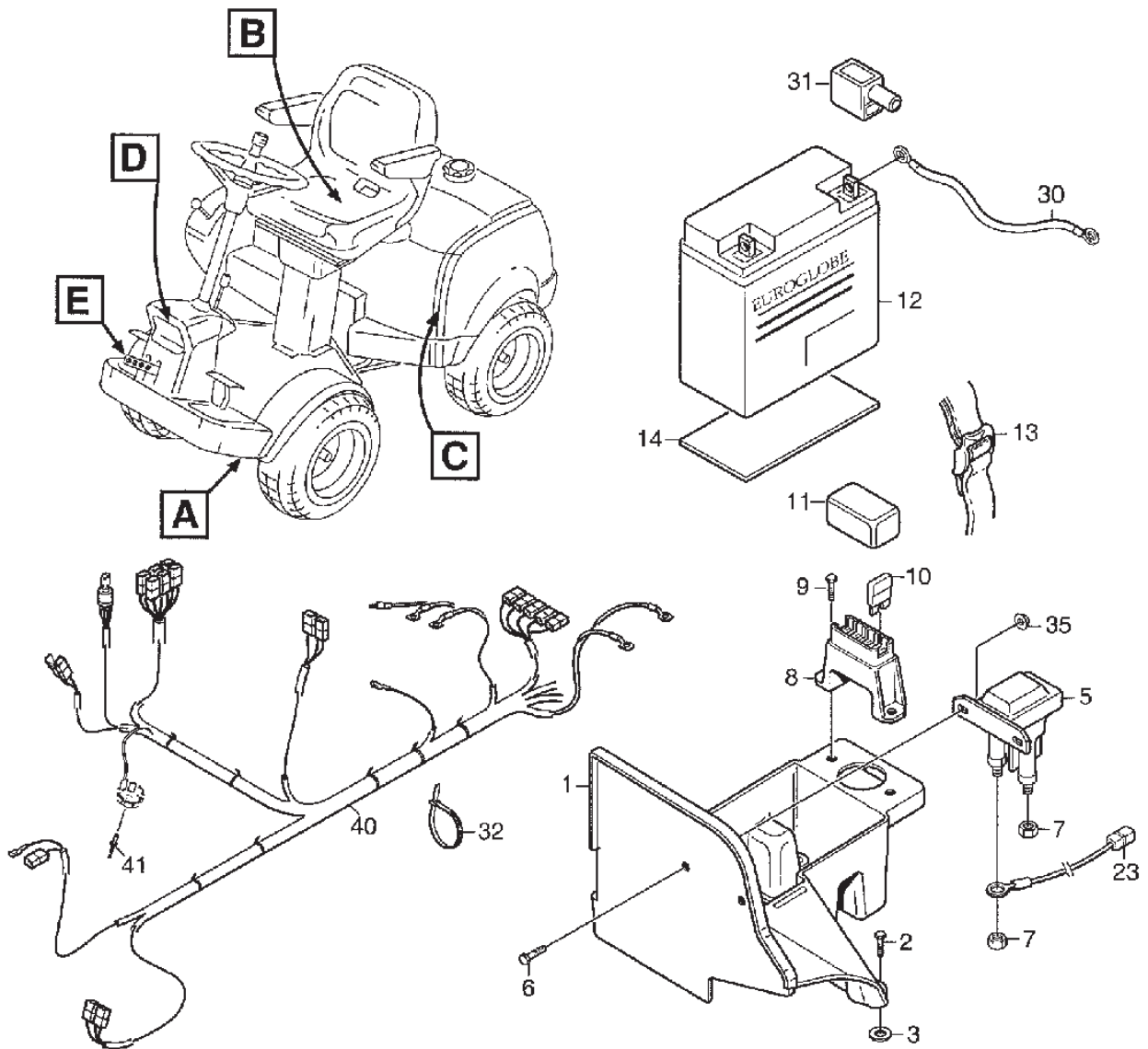
Utgåva Issue 20 - 2015		Handreglage		Hand Controls	
Pos. Fig.	Antal Q.ty	Art nr Part No	Benämning	Description	Anmärkning Notes
1	1	1134-4156-01	Vinkelhallare Kpl 24	Panel Bracket-Inner	
2	2	9897-0820-16	Skruv	Screw	
3	2	9739-0831-22	Mutter	Nut	
5	1	1134-4065-01	Reglageaxel	Control Shaft	
6	1	1134-4079-01	Fjäder	Spring	
7	1	1134-4080-03	Reglagehylsa	Control Sleeve	
8	2	9959-0820-16	Skruv	Screw	
9	1	1134-4077-01	Gasreglage	Throttle Cable	
10	1	1134-4078-01	Knopp	Knob	
11	1	1134-0240-00	Skruv	Screw	
12	2	1134-4242-01	Distansbricka	Washer	
13	1	9694-0001-00	Bricka	Washer	
14	1	9739-0831-22	Mutter	Nut	
15	1	1134-4195-01	Gasreglage	Throttle Cable	
16	1	9500-9991-00	Kabelklämma	Wire Clamp	
17	1	9943-0516-16	Skruv	Screw	
25	1	1134-4487-02	Frontfäste 5-01 H14	Panel Bracket-Front	
26	2	9893-0616-16	Skruv	Screw	
27	1	1134-3986-01	Frontplat	Frontplate	
28	4	9893-0616-16	Skruv	Screw	
29	1	1134-4069-01	Reglagespak	Control Lever	
30	1	1134-2551-01	Knopp	Knob	
31	1	1134-4073-01	Vajerfästplat	Cable Holder	
32	1	9942-0612-16	Skruv	Screw	
33	1	1134-4006-01	Vajer	Cable	
34	1	1134-2871-03	Relä	Relay	
35	1	1134-2871-01	Relä	Relay	
36	2	9997-0512-16	Skruv	Screw	
37	2	9739-0531-22	Mutter	Nut	
38	1	1134-3981-04	Kassett	Dashboard	
39	4	9946-0525-16	Skruv	Screw	
40	1	1134-4154-01	Täckbricka	Cover	
42	1	1134-4093-01	Tändningslas	Ignition Switch	
45	1	1134-4749-01	Mutter	Nut	
46	1	1134-4338-01	Reglageknopp	Control Button-Choke	
46	1	1134-2872-02	Chokereglage Kpl	Choke Control	
47	2	9699-0028-02	Bricka	Washer	
48	4	9400-0282-01	Brytare (Med Diod)	Switch	
49	1	9400-0280-02	Vippa Farthallare	Switch	
50	1	9400-0280-03	Vippa Höjdinst	Switch Cover-Height Adjust	
51	1	9400-0280-01	Vippa Pto	Switch Cover-Pto	
52	1	9400-0280-04	Vippa rödskap Bak	Switch Cover-Rear Rake	
53	1	9400-0283-01	Brytare	Switch	
54	1	9400-0280-05	Vippa rödskap 12V	Switch Cover-12V	
55	1	1134-4179-02	Timräknare	Hour Meter	
56	1	9699-0025-02	Bricka	Washer	
57	1	9400-0295-01	Brytare	Switch	
59	1	9400-0280-06	Vippa-Elyft	Switch Cover-El.Lift	
99	1	9400-0290-01	Verktyg F.Vippa	Tool	Tillbehör/Accessory



Utgåva Issue 20 - 2015		Park Fotreglage		Park Foot Controls	
Pos. Fig.	Antal Q.ty	Art nr Part No	Benämning	Description	Anmärkning Notes
1	1	1134-4247-01	Kopplingspedal Kpl	Clutch Pedal	
2	1	1134-9024-01	Lager (4 St)	Bearing	Sats 4 st/kit of 4
3	1	1134-3584-02	Wire	Brake/Clutch Cable	
4	1	1134-4760-01	Fäste	Cable/Oil Hose Holder	
5	2	9959-0816-16	Skruv	Screw	
6	2	9739-0831-22	Mutter	Nut	
7	1	1134-3974-01	Fjäder	Spring	
8	1	1134-4008-01	Drivpedal	Drive Pedal	
9	2	1134-2780-01	Lager	Bearing	
10	2	1134-2700-01	Fäste	Bracket	
11	2	9959-0820-16	Skruv	Screw	
12	2	9739-0831-22	Mutter	Nut	
13	1	9997-0870-16	Skruv	Screw	
14	1	9959-0816-16	Skruv	Screw	
15	3	9739-0831-22	Mutter	Nut	
16	1	1134-2766-04	Reglagevajer	Speed Control Cable	
17	2	9570-0001-00	Vinkellänk As8 Din 71802M5	Elbow Link	
18	4	9739-0531-22	Mutter	Nut	
19	1	1134-0266-00	Fästbygel	Attaching Clamp	
20	1	1134-0267-00	Underläggsbleck	Clamp Plate	
21	2	9997-0520-16	Skruv	Screw	
22	2	9739-0531-22	Mutter	Nut	
23	1	1134-3395-01	Fäste 24 (5-01)	Attachment	
24	2	9959-0820-16	Skruv	Screw	L = 20 mm
25	2	9739-0831-22	Mutter	Nut	
26	1	1134-2021-01	Växelwirefäste	Clamp	
29	1	1134-4042-01	ReglaVäxelm Kpl.	Control Lever	
30	1	9595-0258-00	Spännstift	Locating Pin	
31	1	1134-3996-01	Fäste	Bracket	
32	1	1134-4187-01	Dämpare	Damper	
33	2	9997-0840-16	Skruv	Screw	
34	2	1134-1565-09	Distans	Spacer	
35	2	9739-0831-22	Mutter	Nut	
36	1	1134-4017-01	Arm Kpl.	Lever, Cruise Control	
37	1	1134-1565-01	Distans	Spacer	
38	1	9997-0850-16	Skruv	Screw	
39	1	9699-0056-02	Bricka	Washer	
40	1	9739-0831-22	Mutter	Nut	
41	1	1134-4020-01	Plat Farth.	Plate-Cruise Control	
42	2	9959-0816-16	Skruv	Screw	
43	2	9739-0831-22	Mutter	Nut	
44	1	1134-4021-01	Stag Farth.	Rod-Cruise Control	
45	2	9675-0012-02	Starlock	Locking washer	
46	1	1134-2859-01	Magnet	Magneto	
47	1	1134-2858-01	Fjäder	Spring	
48	1	1134-5101-01	Bromsstang	Brake Rod	
49	1	1134-3808-01	Knopp	Knob	
50	1	1131-1497-01	Fjäder	Brake Spring	
51	1	1134-4002-01	Fäste	Brake Rod Attachment	

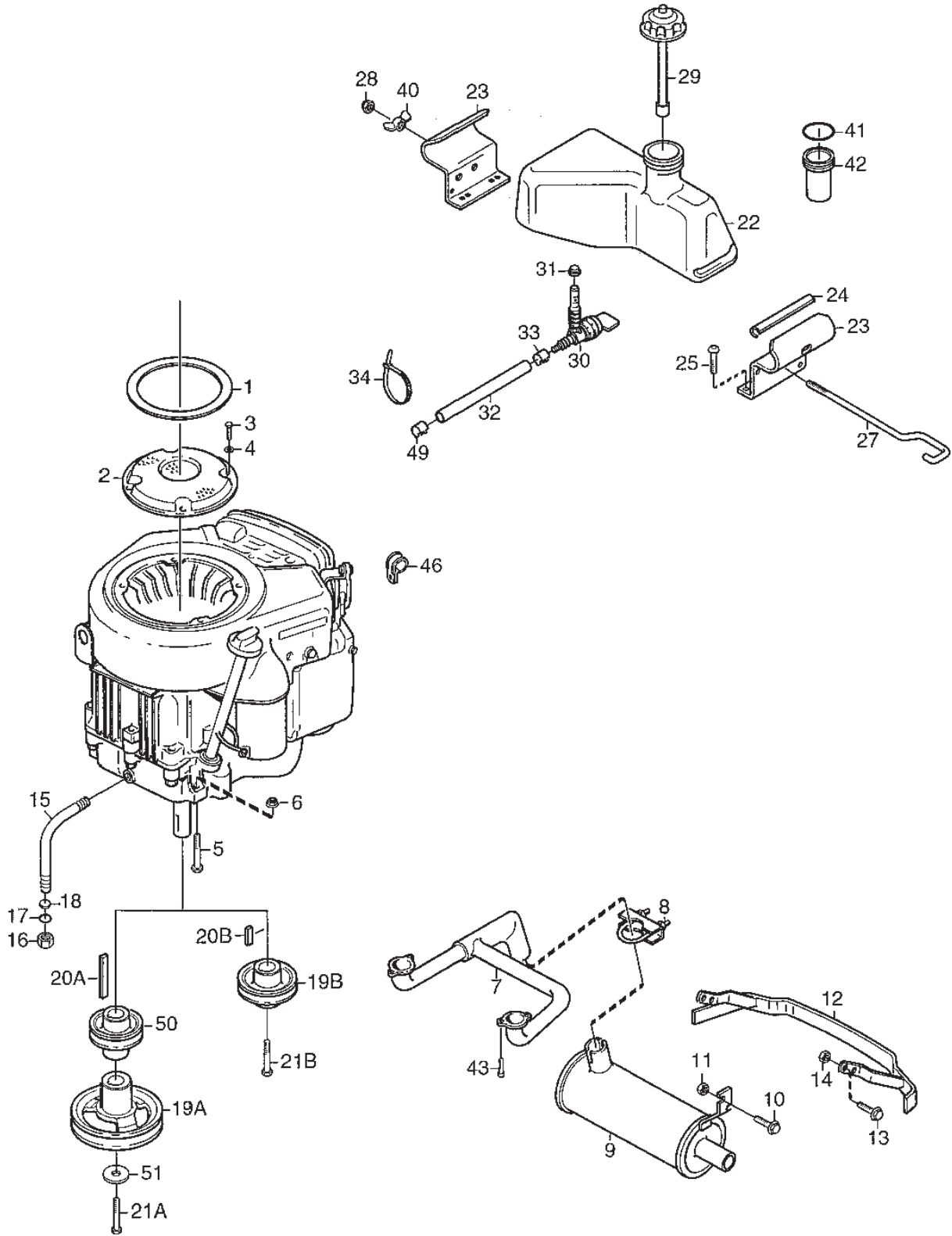


Utgåva Issue 20 - 2015		Park Fotreglage Park Foot Controls			
Pos. Fig.	Antal Q.ty	Art nr Part No	Benämning	Description	Anmärkning Notes
52	3	9838-9516-12	Skruv	Screw	
53	2	9747-0831-02	Mutter	Nut	
54	1	1134-3910-01	Vajerfäste 24	Cable Holder	
55	3	9959-0816-16	Skruv	Screw	L = 16 mm
56	3	9739-0831-22	Mutter	Nut	
57	1	1134-4944-01	Plat	Stop Plate	13-6221, 13-6231

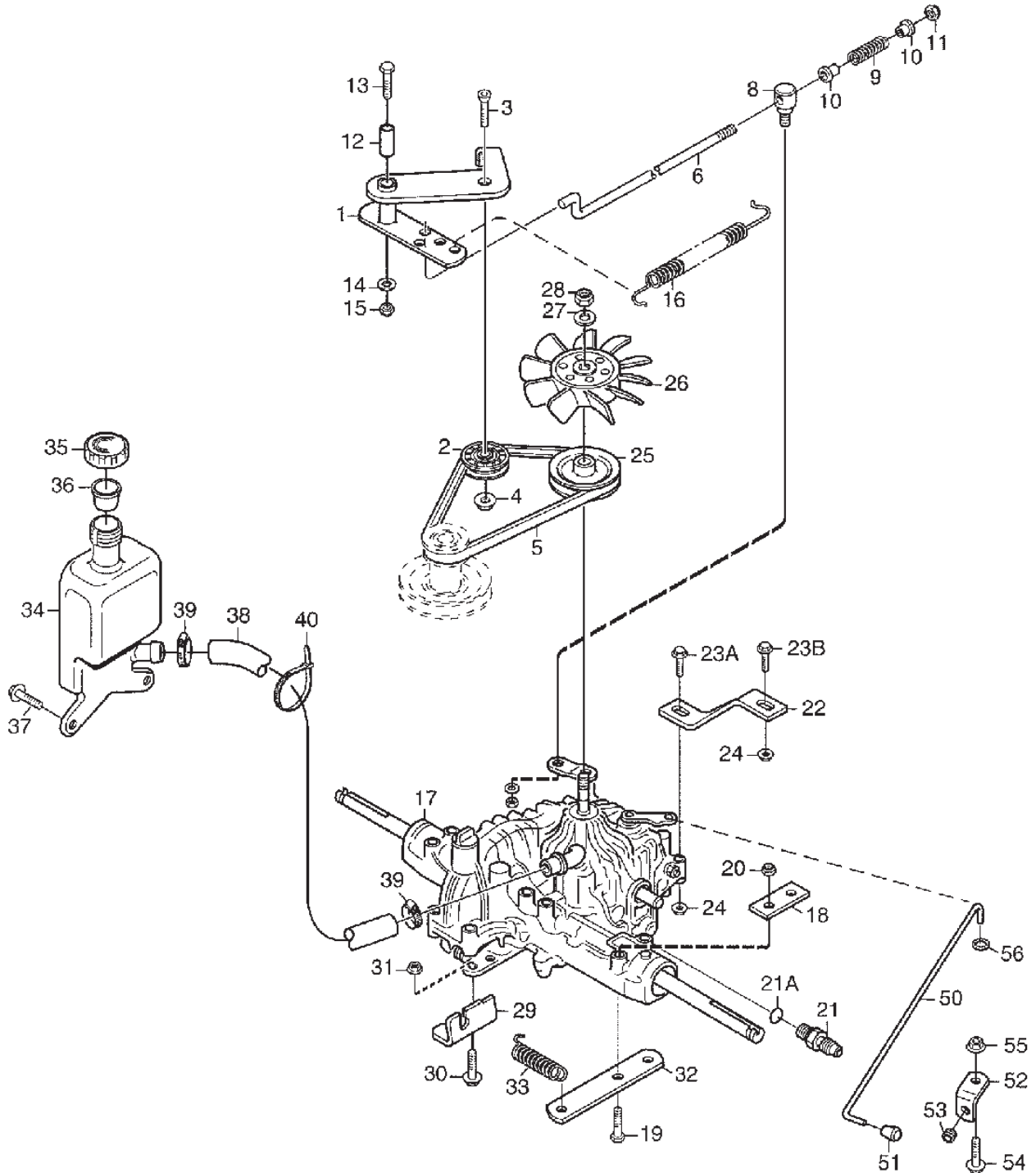


STIGA
1378B
SPARE PARTS

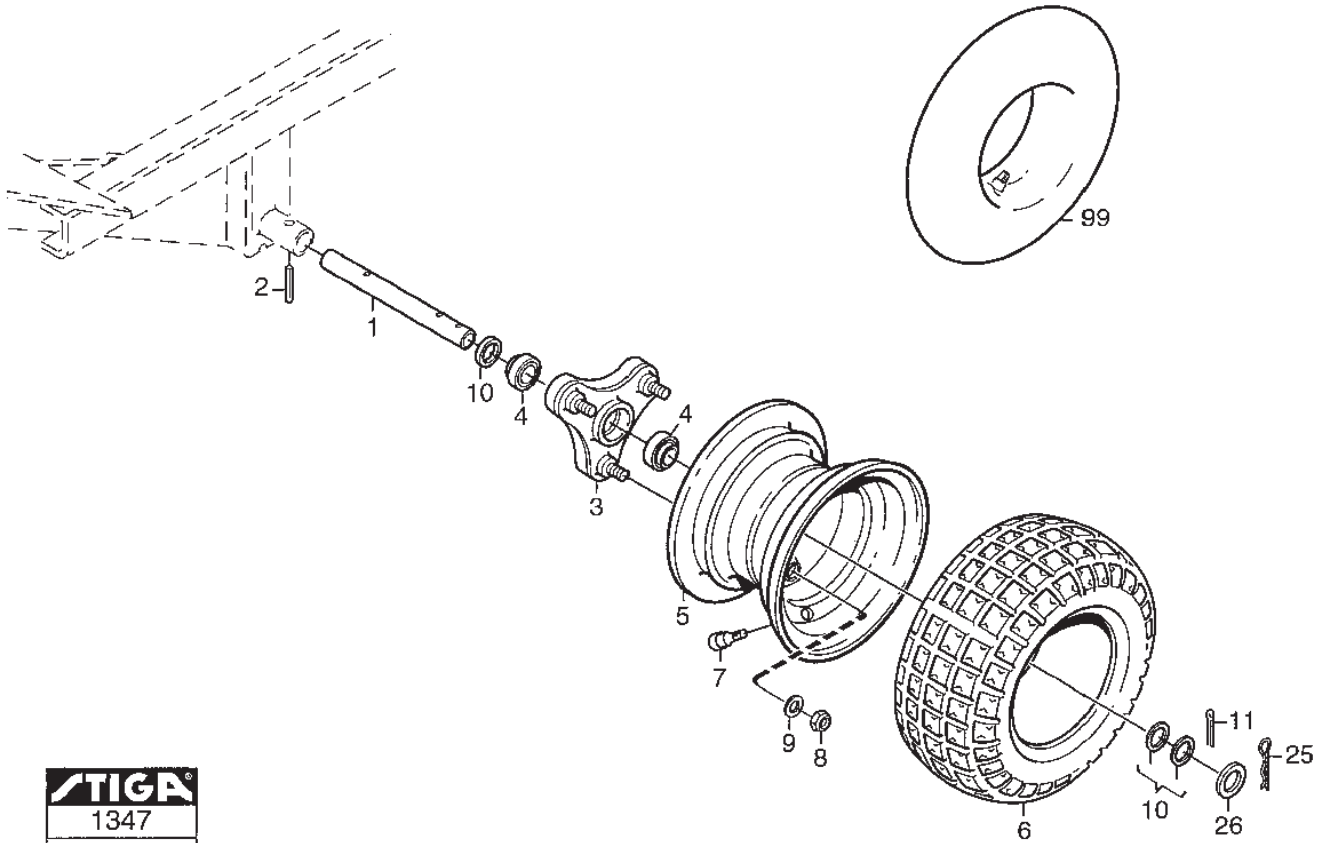
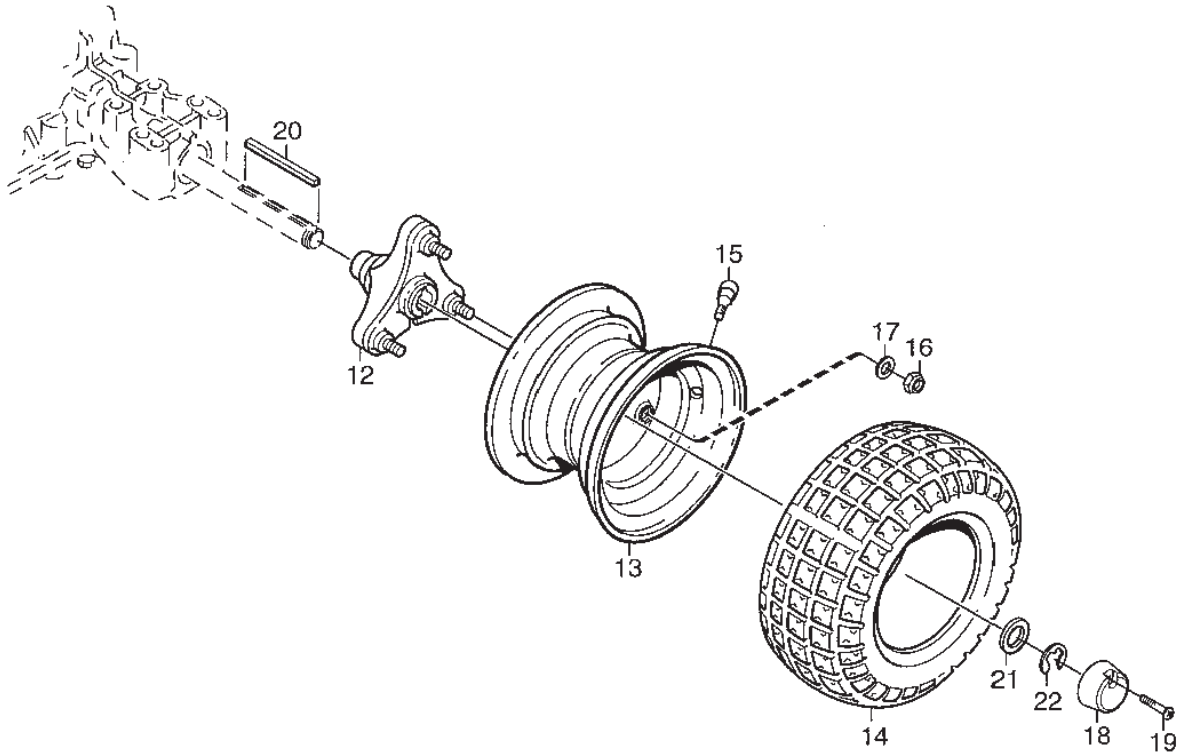
Utgåva Issue 20 - 2015		Elutrustning (Bensin Motorer)		El. Equipment (Petrol Engines)	
Pos. Fig.	Antal Q.ty	Art nr Part No	Benämning	Description	Anmärkning Notes
1	1	1134-4806-01	Batterihylla	Battery Shelf	
2	2	9893-0616-16	Skruv	Screw	
5	1	1134-2962-01	Solenoid Kpl Service	Solenoid	Inkl. pos 7
6	2	9893-0616-16	Skruv	Screw	
7	2	9794-5131-02	Mutter	Nut	
8	1	1134-3491-01	Säkringshallare	Fuse Holder	
9	2	9838-9516-12	Skruv	Screw	
10	1	1134-3496-01	Säkring 10A Röd	Fuse (10A)	10A
10	1	1134-3496-06	Säkring 20 Amp Gul	Fuse (20A)	20A
10	1	1134-3496-07	Säkring (30A Grön)	Fuse (30A)	30A
11	1	1134-3631-01	Lock (5-01)	Cover-Fuse Holder	
12	1	1134-4804-01	Batteri	Battery	
13	1	1134-5245-01	Batterirem	Battery Strap	
14	1	1134-5227-01	Batteriunderlägg	Battery Pad	
15	1	1134-3399-01	Brytare	Switch	
16	2	9997-0520-16	Skruv	Screw	
17	2	9747-0531-02	Mutter	Nut	
19	2	9849-7819-16	Skruv	Screw	
20	2	1134-4177-01	Clips	Clips	
23	1	1134-4970-01	Kabel	Cable	
24	1	9795-3531-02	Mutter	Nut	
25	1	1134-4172-01	Stralkastare	Headlamp	
25	1	9400-0293-01	Glödlampa	Bulb	12V - 21W
26	1	1134-4056-01	Honkontakt Selv 12 V Dc 42-101-42	Female Terminal	
27	1	1134-4052-01	Bricka	Washer	
28	2	9840-7716-16	Skruv	Screw	
30	1	1134-0234-02	Batterikabel (+)	Battery Cable (+)	
31	1	1134-2310-01	Batteriskydd	Guard Cap (+)	
32	20	9579-0003-00	Buntband	Cable Holder	
33	2	9400-0231-00	Kabelskarv	Splicer	
35	2	9739-0631-22	Mutter	Nut	
40	1	1134-5585-01	Kabelhärva	Wiring harness	
41	1	9632-0522-00	Popnit, 1661-0512 D4X9,5	Pop Rivet	



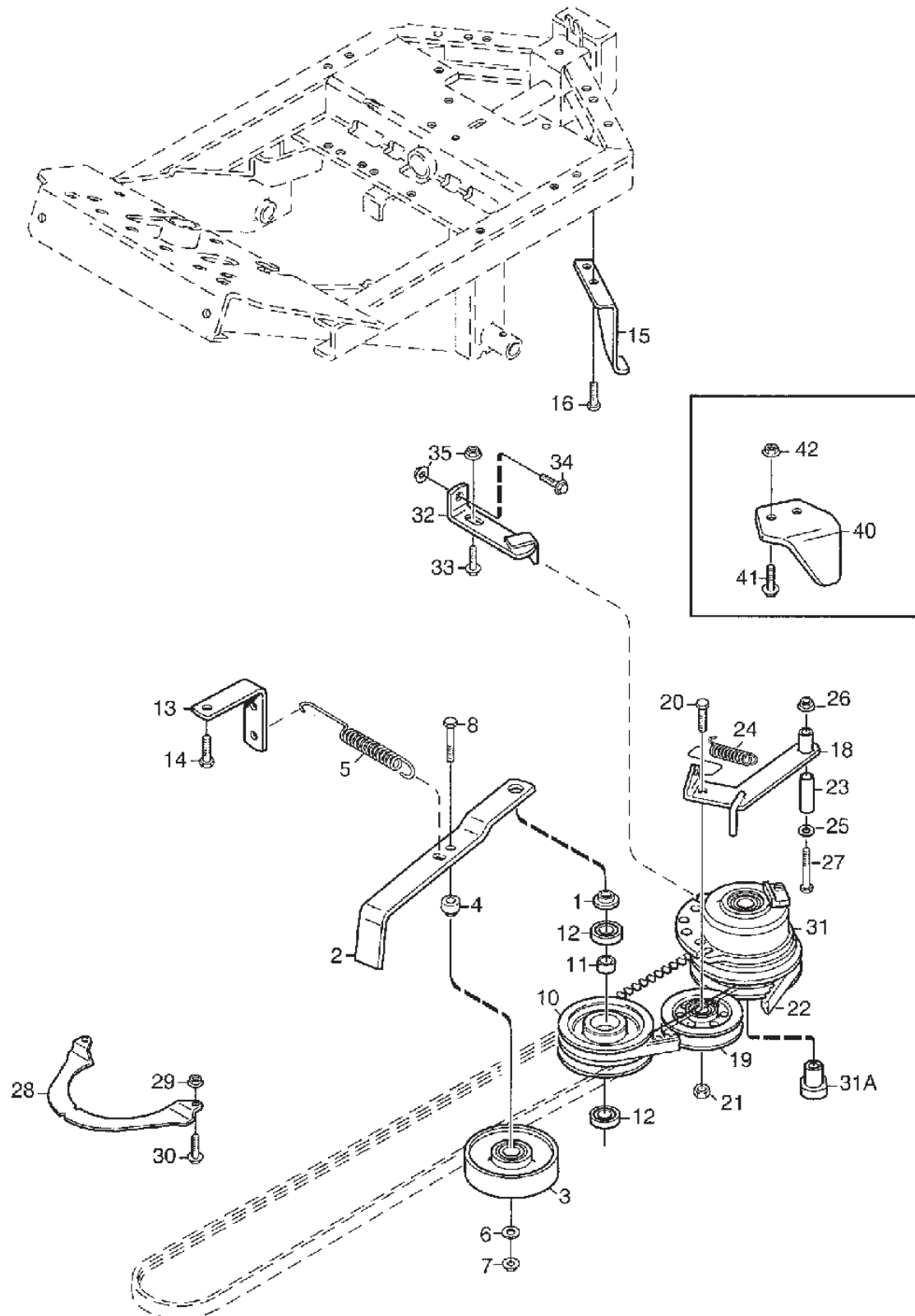
Utgåva Issue 20 - 2015		Motor	Engine		
Pos. Fig.	Antal Q.ty	Art nr Part No	Benämning	Description	Anmärkning Notes
1	1	1134-4222-01	Tätningring	Seal Ring (5 Mm)	H = 5 mm
1	1	1134-4222-02	Tätningring	Seal Ring (15 Mm)	H = 15 mm
2	1	1134-2878-01	Fläktskydd	Fan Cover	
3	4	9997-0512-16	Skruv	Screw	
4	4	9699-0099-02	Bricka	Washer	
5	4	9997-0840-16	Skruv	Screw	
6	4	9739-0831-22	Mutter	Nut	
7	1	1134-4031-01	Avgasrör Kpl (VanSkydd)	Exhaust Pipe	
8	1	9578-0011-00	Klämma F Ljuddämp D35 Rid	Clamp	
9	1	1134-4952-01	Ljuddämpare	Muffler	
10	1	9959-0820-16	Skruv	Screw	
11	1	9739-0831-22	Mutter	Nut	
12	1	1134-4046-01	Berör.Skydd Kpl	Muffler Guard, Grey	
13	4	9959-0820-16	Skruv	Screw	
14	4	9739-0831-22	Mutter	Nut	
15	1	1134-4736-01	Oljeavtappningsrör Kpl	Oil Drain Pipe Assy	
16	1	1134-0995-01	Plugg	Plug	
17	1	9404-0020-00	O-Ring 11,3 X 2,4	O-ring	
18	1	1134-0997-01	Packning	Gasket	
19	1	1134-3664-01	Remskiva	Engine Pulley	
20	1	9600-0251-00	Kil	Key	L = 0.75" (19 mm)
21	1	9987-5357-12	Skruv	Screw	L = 57 mm
22	1	1134-4757-04	Bränsletank Kpl (M Mätare)	Fuel Tank Assy (W Gauge)	Inkl. 29-33, 41-42
23	2	1134-4273-03	Tankfäste	Fuel Tank Bracket	
24	2	1134-2941-01	Kantskyddslist S	Protection Strip	
25	4	9893-0616-16	Skruv	Screw	
27	1	1134-5269-01	Lasstang	Fuel Tank Rod	
28	1	9747-0631-02	Mutter	Nut	
29	1	1134-4064-01	Tanklock	Fuel Cap	
30	1	1134-3224-01	Bensinkran	Fuel Shut-Off Valve	
31	1	1134-3225-01	Gummibussning	Grommet	
32	1	1134-2975-01	Bensinslang	Fuel Tube	L = 520 mm
32	1	1134-2975-04	Bränsleslang	Fuel Line	L = 710 mm
33	1	9578-0023-02	Slangklämma D12*8 (Svart)	Hose Clamp	
34	1	9579-0003-00	Buntband	Cable Holder	
40	1	1134-4481-02	Vingmutter	Wing Nut	
41	1	9404-0025-01	O-Ring 69,44X3,53 Viton	O-ring	
42	1	1134-4411-01	Insatsrör Tank	Fuel Tank Insert	
43	4	9939-0820-16	Skruv	Screw	
46	1	1134-0994-02	Rörklammer	Tube Clamp	
49	1	9578-0023-02	Slangklämma D12*8 (Svart)	Hose Clamp	



Utgåva Issue 20 - 2015		Transmission		Transmission	
Pos. Fig.	Antal Q.ty	Art nr Part No	Benämning	Description	Anmärkning Notes
1	1	1134-4000-01	Spännarm	Tension Arm	
2	1	1134-3459-01	Spännrulle	Tension Roller	
3	1	9924-1035-16	Skruv	Screw	
4	1	9799-1031-02	Mutter	Nut	
5	1	1134-9029-01	Kilrem	V-Belt	= 9585-0055-00
6	1	1134-3377-03	Reglagestang	Control Rod	
8	1	1134-4171-01	Ledtapp	Pivot Pin	
9	1	1134-4183-01	Fjäder	Spring	
10	2	1134-3456-01	Bussning	Bushing	
11	1	9747-0631-02	Mutter	Nut	
12	1	1134-1565-08	Distans	Spacer	
13	1	9997-0875-12	Skruv	Screw	
14	1	9699-0056-02	Bricka	Washer	
15	1	9747-0831-02	Mutter	Nut	
16	1	1134-3211-02	Fjäder	Spring	
17	1	1134-4850-01	Transaxel (K66)	Transaxle (K66)	Kanzaki K66B
18	2	1134-3376-01	Distansplat	Spacer Plate	
19	4	9997-0875-12	Skruv	Screw	L = 75 mm
20	4	9747-0831-02	Mutter	Nut	
21	2	1134-4282-01	Hydraulnippel	Hydraulic Nipple	
21	1	9404-0028-01	O-Ring 11,89 X 1,98	O-ring	
22	1	1134-3913-01	Reaktionsstag 5-01 F24	Strut	
23	1	9959-0825-16	Skruv	Screw	L = 25 mm
23	1	9959-0820-16	Skruv	Screw	L = 20 mm
24	2	9747-0831-02	Mutter	Nut	
25	1	1134-4191-01	Remskiva	Belt Pulley	
26	1	1134-4190-01	Fläkt	Fan	
27	1	9699-0030-02	Bricka	Washer	
28	1	9747-1031-02	Mutter	Nut	
29	1	1134-3914-01	Vajerfäste 24	Cabel Holder	
30	1	9959-0820-16	Skruv	Screw	
31	1	9739-0831-22	Mutter	Nut	
32	1	1134-4049-01	Stag 24	Strut	
33	1	1134-4232-01	Fjäder	Spring	
34	1	1134-4758-01	Tank	Oil Tank	
35	1	1134-2777-02	Tanklock	Filler Cap	
36	1	1134-3734-01	Plugg (Service)	Vent Plug	
37	2	9945-0816-16	Skruv	Screw	
38	1	1134-4011-02	Slang (L380)	Oil Hose (L=380)	L = 380 mm
39	2	9578-0025-01	Slangklämma Dim 18-27 Gemi	Hose Clamp	
40	1	9579-0003-00	Buntband	Cable Holder	
50	1	1134-4015-01	Dragstang	Pull Rod	
51	1	1134-4014-01	Plastknopp	Knob	
52	1	1134-4713-01	Vinkelfäste	Angle Bracket	
53	1	1134-2790-01	Kabelgenomföring	Cable Protection	
54	1	9959-0816-16	Skruv	Screw	
55	1	9739-0831-22	Mutter	Nut	
56	1	9675-0009-02	Starlockbricka	Starlock	



Utgåva Issue 20 - 2015		Hjul Wheels			
Pos. Fig.	Antal Q.ty	Art nr Part No	Benämning	Description	Anmärkning Notes
1	2	1134-0075-01	Framaxeltapp	Front Axle	
2	2	9595-0258-00	Spännstift	Locating Pin	
3	2	1134-4844-01	Hjulnav	Wheel Hub	
4	2	9549-0054-01	Kullager	Ball Bearing	
5	2	1134-4558-01	Fälg	Rim	
6	2	9545-0124-01	Däck	Tyre	17 x 8.00 - 8
7	2	9545-0500-00	Ventil	Valve Assy.	
8	6	9747-1031-02	Mutter	Nut	
9	6	9699-0035-02	Bricka	Washer	
10	8	1134-0341-01	Bricka	Washer	
11	2	9599-0080-02	SaxSprint Sp 4*28	Cotter Pin	
12	2	1134-4844-03	Hjulnav Kpl	Wheel Hub Assy	
13	2	1134-4558-01	Fälg	Rim	
14	2	9545-0124-01	Däck	Tyre	17 x 8.00 - 8
15	2	9545-0500-00	Ventil	Valve Assy.	
16	6	9747-1031-02	Mutter	Nut	
17	6	9699-0035-02	Bricka	Washer	
18	2	1134-4796-01	Navkapsel	Hub Cap	
19	2	9947-0540-19	Skruv	Screw	
20	2	1134-3383-01	Kil	Key	
20	2	1134-3383-02	Kil	Key	L = 51 mm
20	2	1134-3383-01	Kil	Key	
21	2	9699-0116-02	Bricka	Washer	
22	2	9650-0025-04	Segersäkringsåkring Sga 25	Circlip	
22	2	9653-0002-04	Sparyttare	Lock Ring	
22	2	04/02/9653			
25	2	9598-0003-02	Spring Pin	Spring Pin	
26	2	9699-0042-02	Bricka	Washer	
99	1	9545-0203-00	Innerslang	Inner Tube	Reservdel/spare part
99	2	9545-0203-00	Innerslang	Inner Tube	Reservdel/spare part



Utgåva Issue 20 - 2015		Kraftuttag Power take-off			
Pos. Fig.	Antal Q.ty	Art nr Part No	Benämning	Description	Anmärkning Notes
1	1	1134-5548-01	Distans	Spacer	
2	1	1134-5109-01	Spännhjulsarm	Tension Wheel Arm	
3	1	1134-1770-01	Spännhjul Kpl	Tension Roller	
4	1	1134-1888-04	Distans	Spacer	
5	1	1134-5111-01	Fjäder	Spring	
6	1	9699-0056-02	Bricka	Washer	
7	1	9739-0831-22	Mutter	Nut	
8	1	9997-0855-12	Skruv	Screw	
10	1	1134-1769-02	Remskiva	Belt Pulley	
11	1	1134-0051-09	Distans	Spacer	
12	2	9549-0019-00	Kullager	Ball Bearing	
13	1	1134-5112-01	Fjäder	Spring	
14	2	9945-0816-16	Skruv	Screw	
15	1	1134-5110-01	Hake	Hook	
16	2	9893-0616-16	Skruv	Screw	
18	1	1134-3658-02	Spännarm Kpl 5-01	Tension Arm	
19	1	1134-3663-01	Remskiva	Tension Wheel	
20	1	9997-1040-12	Skruv	Screw	
21	1	9739-1031-22	Mutter	Nut	
22	1	1134-9047-01	Kilrem	V-Belt	= 9585-0088-00
23	1	1134-1565-10	Distans	Spacer	
24	1	1134-3379-01	Fjäder	Spring	
25	1	9699-0056-02	Bricka	Washer	
26	1	9739-0831-22	Mutter	Nut	
27	1	9997-0855-12	Skruv	Screw	
28	1	1134-3654-01	Fingerskydd 5-01 24	Guard	
29	2	9739-0631-22	Mutter	Nut	
30	2	9959-0612-16	Skruv	Screw	
31	1	1134-5016-01	Bussning	Bushing	
31	1	1134-3638-01	Magnetkoppling	Electric Pto-Clutch	
32	1	1134-3712-01	Stödstag	Support Stay	
33	1	9959-0820-16	Skruv	Screw	L = 20 mm
34	1	9959-0825-16	Skruv	Screw	L = 25 mm
35	2	9739-0831-22	Mutter	Nut	

code	pos.	q.ty	page								
04/02/9653	22	2	p. 51	1134-3399-01	15	1	p. 45	1134-4077-01	9	1	p. 39
1111-2113-01	3	1	p. 23	1134-3456-01	10	2	p. 49	1134-4078-01	10	1	p. 39
1131-1497-01	50	1	p. 41	1134-3459-01	2	1	p. 49	1134-4079-01	6	1	p. 39
1134-0031-00	3	1	p. 29	1134-3491-01	8	1	p. 45	1134-4080-03	7	1	p. 39
1134-0041-01	17	2	p. 35	1134-3496-01	10	1	p. 45	1134-4082-03	16	2	p. 33
1134-0041-02	11	4	p. 35	1134-3496-06	10	1	p. 45	1134-4083-01	9	2	p. 33
1134-0051-09	11	1	p. 53	1134-3496-07	10	1	p. 45	1134-4084-01	14	4	p. 33
1134-0075-01	1	2	p. 51	1134-3547-01	16	3	p. 35	1134-4085-01	7	1	p. 33
1134-0225-00	11	2	p. 25	1134-3550-01	4	2	p. 35	1134-4087-01	27	1	p. 35
1134-0234-02	30	1	p. 45	1134-3565-01	5	4	p. 35	1134-4093-01	42	1	p. 39
1134-0240-00	10	2	p. 33	1134-3584-02	3	1	p. 41	1134-4109-01	13	1	p. 31
1134-0240-00	11	1	p. 39	1134-3631-01	11	1	p. 45	1134-4113-01	24	1	p. 35
1134-0240-00	24	2	p. 33	1134-3638-01	31	1	p. 53	1134-4114-01	28	1	p. 35
1134-0266-00	19	1	p. 41	1134-3654-01	28	1	p. 53	1134-4117-01	1	1	p. 31
1134-0267-00	20	1	p. 41	1134-3658-02	18	1	p. 53	1134-4118-01	29	1	p. 35
1134-0341-01	10	8	p. 51	1134-3663-01	19	1	p. 53	1134-4120-03	21	1	p. 35
1134-0994-02	46	1	p. 47	1134-3664-01	19	1	p. 47	1134-4130-01	32	1	p. 33
1134-0995-01	16	1	p. 47	1134-3712-01	32	1	p. 53	1134-4135-01	34	1	p. 33
1134-0997-01	18	1	p. 47	1134-3734-01	36	1	p. 49	1134-4142-01	26	1	p. 33
1134-1565-01	37	1	p. 41	1134-3752-01	34	1	p. 35	1134-4144-01	8	1	p. 33
1134-1565-06	36	1	p. 35	1134-3769-01	33	1	p. 35	1134-4152-01	26	1	p. 25
1134-1565-08	12	1	p. 49	1134-3771-57	30	1	p. 23	1134-4153-01	19	1	p. 33
1134-1565-08	37	2	p. 33	1134-3771-68	30	1	p. 23	1134-4154-01	40	1	p. 39
1134-1565-09	34	2	p. 41	1134-3808-01	49	1	p. 41	1134-4156-01	1	1	p. 39
1134-1565-10	23	1	p. 53	1134-3817-01	7	2	p. 35	1134-4159-01	20	1	p. 33
1134-1769-02	10	1	p. 53	1134-3910-01	54	1	p. 43	1134-4160-01	18	2	p. 33
1134-1770-01	3	1	p. 53	1134-3913-01	22	1	p. 49	1134-4167-01	23	1	p. 29
1134-1888-04	4	1	p. 53	1134-3914-01	29	1	p. 49	1134-4171-01	8	1	p. 49
1134-2021-01	26	1	p. 41	1134-3943-01	5	1	p. 25	1134-4172-01	25	1	p. 45
1134-2171-01	5	1	p. 29	1134-3943-02	6	1	p. 25	1134-4176-01	8	2	p. 25
1134-2310-01	31	1	p. 45	1134-3963-02	2	1	p. 29	1134-4176-01	16	2	p. 25
1134-2551-01	30	1	p. 39	1134-3968-02	11	1	p. 29	1134-4177-01	20	2	p. 45
1134-2609-01	8	2	p. 23	1134-3970-02	39	1	p. 25	1134-4179-02	55	1	p. 39
1134-2684-01	2	2	p. 31	1134-3970-05	38	1	p. 25	1134-4183-01	9	1	p. 49
1134-2700-01	10	2	p. 41	1134-3971-01	2	1	p. 25	1134-4185-01	6	2	p. 23
1134-2766-04	16	1	p. 41	1134-3974-01	7	1	p. 41	1134-4187-01	32	1	p. 41
1134-2777-02	35	1	p. 49	1134-3978-01	3	1	p. 25	1134-4190-01	26	1	p. 49
1134-2780-01	9	2	p. 41	1134-3979-01	22	1	p. 25	1134-4191-01	25	1	p. 49
1134-2790-01	53	1	p. 49	1134-3981-04	38	1	p. 39	1134-4195-01	15	1	p. 39
1134-2816-01	10	4	p. 35	1134-3984-01	18	1	p. 25	1134-4213-01	23	1	p. 33
1134-2820-02	2	3	p. 35	1134-3985-01	36	1	p. 25	1134-4216-01	17	1	p. 25
1134-2820-04	3	1	p. 35	1134-3986-01	27	1	p. 39	1134-4220-02	14	1	p. 25
1134-2820-06	1	1	p. 35	1134-3990-01	29	1	p. 33	1134-4222-01	1	1	p. 47
1134-2824-01	6	10	p. 35	1134-3996-01	31	1	p. 41	1134-4222-02	1	1	p. 47
1134-2858-01	47	1	p. 41	1134-4000-01	1	1	p. 49	1134-4224-01	2	1	p. 33
1134-2859-01	46	1	p. 41	1134-4002-01	51	1	p. 41	1134-4225-01	3	1	p. 33
1134-2871-01	35	1	p. 39	1134-4003-01	13	1	p. 23	1134-4229-01	49	1	p. 35
1134-2871-03	34	1	p. 39	1134-4006-01	33	1	p. 39	1134-4232-01	33	1	p. 49
1134-2872-02	46	1	p. 39	1134-4008-01	8	1	p. 41	1134-4242-01	12	2	p. 39
1134-2878-01	2	1	p. 47	1134-4011-02	38	1	p. 49	1134-4247-01	1	1	p. 41
1134-2941-01	24	2	p. 47	1134-4012-03	32	1	p. 25	1134-4249-01	0	1	p. 23
1134-2962-01	5	1	p. 45	1134-4012-04	33	1	p. 25	1134-4273-03	23	2	p. 47
1134-2975-01	32	1	p. 47	1134-4014-01	51	1	p. 49	1134-4282-01	21	2	p. 49
1134-2975-04	32	1	p. 47	1134-4015-01	50	1	p. 49	1134-4282-01	44	2	p. 35
1134-3022-01	18	2	p. 35	1134-4017-01	36	1	p. 41	1134-4338-01	46	1	p. 39
1134-3156-01	28	1	p. 33	1134-4020-01	41	1	p. 41	1134-4360-01	21	1	p. 25
1134-3211-02	16	1	p. 49	1134-4021-01	44	1	p. 41	1134-4411-01	42	1	p. 47
1134-3224-01	30	1	p. 47	1134-4031-01	7	1	p. 47	1134-4481-02	40	1	p. 47
1134-3225-01	31	1	p. 47	1134-4042-01	29	1	p. 41	1134-4481-02	56	1	p. 37
1134-3376-01	18	2	p. 49	1134-4046-01	12	1	p. 47	1134-4487-02	25	1	p. 39
1134-3377-03	6	1	p. 49	1134-4049-01	32	1	p. 49	1134-4541-01	2	1	p. 23
1134-3379-01	24	1	p. 53	1134-4052-01	27	1	p. 45	1134-4558-01	5	2	p. 51
1134-3383-01	20	2	p. 51	1134-4056-01	26	1	p. 45	1134-4558-01	13	2	p. 51
1134-3383-01	20	2	p. 51	1134-4064-01	29	1	p. 47	1134-4593-06	99	1	p. 27
1134-3383-02	20	2	p. 51	1134-4065-01	5	1	p. 39	1134-4713-01	52	1	p. 49
1134-3395-01	23	1	p. 41	1134-4069-01	29	1	p. 39	1134-4734-01	10	2	p. 23
				1134-4073-01	31	1	p. 39	1134-4736-01	15	1	p. 47

code	pos.	q.ty	page									
9404-0028-01	21	1	p. 49	9699-0069-02	11	2	p. 33	9838-9516-12	42	2	p. 25	
9404-0028-01	44	2	p. 35	9699-0087-02	36	3	p. 33	9838-9516-12	52	3	p. 43	
9405-0029-00	46	1	p. 25	9699-0090-02	8	2	p. 35	9840-7716-16	28	2	p. 45	
9500-9991-00	16	1	p. 39	9699-0090-02	37	2	p. 35	9840-8009-16	19	2	p. 25	
9501-0500-00	6	2	p. 29	9699-0099-02	4	4	p. 47	9840-8009-16	24	4	p. 29	
9501-0500-00	10	2	p. 29	9699-0103-02	5	1	p. 23	9840-8009-16	33	4	p. 33	
9545-0124-01	6	2	p. 51	9699-0114-02	5	1	p. 23	9849-7819-16	19	2	p. 45	
9545-0124-01	14	2	p. 51	9699-0116-02	21	2	p. 51	9849-8013-16	27	3	p. 33	
9545-0203-00	99	1	p. 51	9699-0120-02	45	1	p. 25	9893-0616-16	2	2	p. 45	
9545-0203-00	99	2	p. 51	9699-0120-02	48	1	p. 25	9893-0616-16	6	2	p. 45	
9545-0500-00	7	2	p. 51	9710-0631-12	55	1	p. 37	9893-0616-16	7	4	p. 25	
9545-0500-00	15	2	p. 51	9739-0531-22	18	4	p. 41	9893-0616-16	8	2	p. 31	
9547-0001-00	9	2	p. 29	9739-0531-22	22	2	p. 41	9893-0616-16	15	6	p. 25	
9549-0017-00	25	1	p. 35	9739-0531-22	37	2	p. 39	9893-0616-16	16	2	p. 53	
9549-0019-00	12	2	p. 53	9739-0631-22	29	2	p. 25	9893-0616-16	18	2	p. 29	
9549-0054-01	4	2	p. 51	9739-0631-22	29	2	p. 53	9893-0616-16	25	4	p. 47	
9570-0001-00	17	2	p. 41	9739-0631-22	35	2	p. 45	9893-0616-16	26	2	p. 39	
9578-0011-00	8	1	p. 47	9739-0831-22	3	2	p. 39	9893-0616-16	27	3	p. 25	
9578-0023-02	33	1	p. 47	9739-0831-22	6	2	p. 41	9893-0616-16	28	2	p. 25	
9578-0023-02	49	1	p. 47	9739-0831-22	6	4	p. 47	9893-0616-16	28	4	p. 39	
9578-0025-01	39	2	p. 49	9739-0831-22	7	1	p. 53	9893-0616-16	31	4	p. 25	
9579-0003-00	31	4	p. 31	9739-0831-22	11	1	p. 47	9893-0616-16	37	2	p. 25	
9579-0003-00	32	20	p. 45	9739-0831-22	12	2	p. 41	9893-0616-16	40	3	p. 25	
9579-0003-00	34	1	p. 47	9739-0831-22	14	1	p. 39	9893-0616-16	51	4	p. 27	
9579-0003-00	40	1	p. 49	9739-0831-22	14	4	p. 47	9897-0820-16	2	2	p. 39	
9595-0256-01	30	2	p. 35	9739-0831-22	15	2	p. 23	9897-0820-16	5	4	p. 33	
9595-0258-00	2	2	p. 51	9739-0831-22	15	3	p. 41	9897-0820-16	22	4	p. 35	
9595-0258-00	30	1	p. 41	9739-0831-22	22	1	p. 33	9897-0820-16	30	2	p. 33	
9595-0262-00	4	1	p. 23	9739-0831-22	22	2	p. 29	9897-0880-12	4	2	p. 33	
9595-0262-00	4	1	p. 29	9739-0831-22	23	4	p. 35	9897-1040-12	14	2	p. 35	
9598-0003-02	25	2	p. 51	9739-0831-22	25	2	p. 41	9924-1035-16	3	1	p. 49	
9599-0054-02	10	1	p. 31	9739-0831-22	26	1	p. 53	9939-0612-16	43	3	p. 35	
9599-0054-02	12	1	p. 31	9739-0831-22	31	1	p. 49	9939-0816-16	15	4	p. 33	
9599-0080-02	11	2	p. 51	9739-0831-22	31	2	p. 33	9939-0820-16	43	4	p. 47	
9600-0251-00	20	1	p. 47	9739-0831-22	35	2	p. 25	9942-0612-16	32	1	p. 39	
9632-0513-00	47	1	p. 25	9739-0831-22	35	2	p. 41	9943-0516-16	17	1	p. 39	
9632-0516-00	44	1	p. 25	9739-0831-22	35	2	p. 53	9945-0816-16	12	6	p. 25	
9632-0522-00	35	2	p. 33	9739-0831-22	40	1	p. 41	9945-0816-16	14	2	p. 53	
9632-0522-00	41	1	p. 45	9739-0831-22	40	2	p. 41	9945-0816-16	20	2	p. 29	
9650-0025-04	22	2	p. 51	9739-0831-22	43	2	p. 41	9945-0816-16	26	1	p. 35	
9653-0002-04	22	2	p. 51	9739-0831-22	43	2	p. 41	9945-0816-16	26	1	p. 35	
9665-0002-00	12	2	p. 33	9739-0831-22	55	1	p. 49	9945-0816-16	37	2	p. 49	
9675-0008-02	4	7	p. 25	9739-0831-22	56	3	p. 43	9945-0816-16	47	2	p. 35	
9675-0009-02	56	1	p. 49	9739-1031-22	15	4	p. 35	9945-0816-16	47	2	p. 35	
9675-0012-02	45	2	p. 41	9739-1031-22	20	2	p. 35	9946-0525-16	20	2	p. 25	
9694-0001-00	13	1	p. 39	9739-1031-22	21	1	p. 53	9946-0525-16	23	5	p. 25	
9695-0011-00	31	1	p. 35	9747-0531-02	17	2	p. 45	9946-0525-16	39	4	p. 39	
9699-0025-02	7	2	p. 31	9747-0531-02	25	2	p. 25	9947-0540-19	19	2	p. 51	
9699-0025-02	9	2	p. 25	9747-0631-02	10	2	p. 25	9950-0570-12	24	2	p. 25	
9699-0025-02	56	1	p. 39	9747-0631-02	11	1	p. 49	9959-0612-16	16	2	p. 31	
9699-0028-02	47	2	p. 39	9747-0631-02	28	1	p. 47	9959-0612-16	30	2	p. 53	
9699-0030-02	27	1	p. 49	9747-0631-02	54	1	p. 27	9959-0816-16	5	2	p. 41	
9699-0035-02	9	6	p. 51	9747-0831-02	6	6	p. 33	9959-0816-16	14	1	p. 41	
9699-0035-02	12	4	p. 35	9747-0831-02	9	2	p. 35	9959-0816-16	17	4	p. 33	
9699-0035-02	13	2	p. 29	9747-0831-02	13	2	p. 33	9959-0816-16	17	4	p. 33	
9699-0035-02	17	6	p. 51	9747-0831-02	15	1	p. 49	9959-0816-16	42	2	p. 41	
9699-0042-02	26	2	p. 51	9747-0831-02	15	1	p. 49	9959-0816-16	54	1	p. 49	
9699-0056-02	6	1	p. 53	9747-0831-02	20	4	p. 49	9959-0816-16	55	3	p. 43	
9699-0056-02	13	4	p. 25	9747-0831-02	24	2	p. 49	9959-0820-16	7	2	p. 23	
9699-0056-02	14	1	p. 49	9747-0831-02	38	1	p. 35	9959-0820-16	8	2	p. 39	
9699-0056-02	21	1	p. 33	9747-0831-02	53	2	p. 43	9959-0820-16	10	1	p. 47	
9699-0056-02	25	1	p. 53	9747-1031-02	8	6	p. 51	9959-0820-16	11	2	p. 41	
9699-0056-02	39	1	p. 41	9747-1031-02	16	6	p. 51	9959-0820-16	13	4	p. 47	
9699-0060-02	52	4	p. 27	9747-1031-02	28	1	p. 49	9959-0820-16	14	2	p. 23	
9699-0060-02	53	1	p. 27	9794-5131-02	7	2	p. 45	9959-0820-16	14	2	p. 23	
9699-0062-02	9	2	p. 23	9795-3531-02	24	1	p. 45	9959-0820-16	21	2	p. 29	
				9795-3731-02	3	2	p. 33	9959-0820-16	23	1	p. 49	
				9799-1031-02	4	1	p. 49	9959-0820-16	24	2	p. 41	
				9837-8914-12	16	2	p. 23	9959-0820-16	30	1	p. 49	
				9838-9516-12	9	2	p. 45	9959-0820-16	33	1	p. 53	
								9959-0820-16	34	1	p. 25	

code	pos.	q.ty	page									
9959-0825-16	23	1	p. 49	690722	20	1	p. 15	691530	27	1	p. 3	
9959-0825-16	34	1	p. 53	690722	28	1	p. 11	691543	36	2	p. 3	
9959-0830-16	34	1	p. 25	690724	22	1	p. 11	691543	36	4	p. 3	
9959-1020-16	14	2	p. 29	690744	18	1	p. 7	691550	20	1	p. 5	
9987-5357-12	21	1	p. 47	690750	24	1	p. 5	691551	18	1	p. 5	
9988-3713-16	3	2	p. 33	690751	7	1	p. 5	691552	33	4	p. 7	
9988-3745-12	3	2	p. 33	690757	25	1	p. 5	691557	19	1	p. 3	
9997-0512-16	3	4	p. 47	690854	6	1	p. 13	691558	33	1	p. 3	
9997-0512-16	36	2	p. 39	690855	5	1	p. 13	691559	29	1	p. 11	
9997-0520-16	16	2	p. 45	690865	31	1	p. 7	691564	1	1	p. 13	
9997-0520-16	21	2	p. 41	690866	29	2	p. 7	691612	11	1	p. 5	
9997-0630-12	57	1	p. 37	690867	3	1	p. 9	691613	21	1	p. 15	
9997-0840-16	5	4	p. 47	690868	25	1	p. 7	691613	26	2	p. 7	
9997-0840-16	33	2	p. 41	690869	4	4	p. 7	691638	26	2	p. 11	
9997-0850-16	38	1	p. 41	690870	6	1	p. 7	691639	20	1	p. 3	
9997-0855-12	8	1	p. 53	690871	7	1	p. 9	691684	4	1	p. 15	
9997-0855-12	27	1	p. 53	690873	8	1	p. 5	691684	9	1	p. 5	
9997-0865-12	35	1	p. 35	690874	10	1	p. 9	691758	35	4	p. 3	
9997-0870-16	13	1	p. 41	690878	26	1	p. 9	691836	35	4	p. 3	
9997-0875-12	13	1	p. 49	690878	26	1	p. 9	691870	24	1	p. 9	
9997-0875-12	19	4	p. 49	690879	15	1	p. 15	691902	12	4	p. 7	
9997-1030-16	19	2	p. 35	690879	17	2	p. 11	691972	15	1	p. 5	
9997-1040-12	20	1	p. 53	690880	12	1	p. 11	691985	14	1	p. 7	
9997-1050-16	13	2	p. 35	690880	13	1	p. 15	692035	3	2	p. 7	
19203	10	1	p. 7	690881	11	1	p. 11	692035	7	1	p. 15	
19374	25	1	p. 3	690881	12	1	p. 15	692053	17	1	p. 9	
272490	27	1	p. 7	690882	7	1	p. 11	692056	2	2	p. 9	
280275	32	1	p. 7	690882	10	1	p. 15	692056	3	2	p. 5	
393815	30	1	p. 11	690883	9	1	p. 11	692058	16	2	p. 3	
394018	13	1	p. 7	690884	15	2	p. 11	692062	4	2	p. 5	
398525	15	1	p. 5	690885	37	4	p. 11	692062	10	2	p. 13	
399916	34	1	p. 7	690886	1	1	p. 7	692063	22	1	p. 15	
492341	10	1	p. 7	690887	8	1	p. 7	692063	25	1	p. 9	
492932	28	1	p. 9	690887	2	1	p. 15	692066	11	2	p. 7	
493880	24	1	p. 7	690888	3	2	p. 3	692067	17	2	p. 7	
496813	7	1	p. 13	690902	17	1	p. 5	692069	6	1	p. 9	
496880	9	2	p. 13	690911	27	1	p. 7	692076	26	2	p. 3	
496881	2	1	p. 13	690915	2	1	p. 5	692078	11	1	p. 15	
496887	8	1	p. 13	690916	7	1	p. 7	692079	20	1	p. 7	
497608	16	1	p. 13	690917	30	1	p. 7	692083	12	1	p. 9	
690236	9	1	p. 9	690923	4	1	p. 9	692084	14	2	p. 3	
690238	15	1	p. 9	690939	9	1	p. 7	692084	15	2	p. 3	
690239	19	1	p. 9	690946	10	1	p. 5	692087	8	1	p. 7	
690283	1	1	p. 9	690950	1	1	p. 11	692087	16	1	p. 15	
690323	20	2	p. 13	690950	2	2	p. 7	692090	34	1	p. 11	
690452	28	1	p. 7	690950	6	1	p. 15	692093	18	1	p. 9	
690586	20	1	p. 5	690973	37	2	p. 3	692097	28	1	p. 7	
690676	5	2	p. 7	690973	37	4	p. 3	692101	16	1	p. 9	
690677	14	2	p. 5	690977	18	4	p. 3	692154	14	1	p. 5	
690679	22	1	p. 9	691024	11	1	p. 9	692154	19	1	p. 15	
690680	22	1	p. 5	691029	18	1	p. 13	692172	5	1	p. 3	
690681	13	2	p. 9	691035	39	1	p. 11	692319	19	1	p. 7	
690681	17	1	p. 15	691038	25	6	p. 11	692539	7	2	p. 5	
690682	20	1	p. 9	691049	19	1	p. 11	692539	13	2	p. 5	
690683	8	4	p. 3	691050	18	1	p. 11	692539	23	1	p. 5	
690684	16	2	p. 5	691058	26	2	p. 7	692539	23	1	p. 7	
690686	15	1	p. 5	691077	9	1	p. 5	692540	12	9	p. 5	
690688	22	1	p. 5	691084	16	1	p. 5	692545	1	1	p. 5	
690689	34	1	p. 3	691124	3	1	p. 13	692929	35	1	p. 11	
690698	11	4	p. 3	691185	16	1	p. 7	693167	17	1	p. 13	
690701	18	1	p. 5	691286	19	1	p. 13	693186	27	1	p. 9	
690704	13	1	p. 5	691293	15	1	p. 13	693547	14	1	p. 13	
690706	23	1	p. 9	691492	21	2	p. 9	693548	13	1	p. 13	
690714	19	1	p. 5	691492	21	3	p. 7	693587	21	2	p. 13	
690718	3	4	p. 11	691494	32	1	p. 3	693711	6	1	p. 11	
690718	20	2	p. 11	691508	5	1	p. 9	693711	9	1	p. 15	
				691516	25	1	p. 15	696458	15	1	p. 7	
				691516	36	1	p. 11					

code	pos.	q.ty	page				
698332	35	1	p. 7	808846	4	1	p. 5
805049	5	1	p. 15	809094	3	1	p. 15
805049	11	1	p. 5	809094	6	1	p. 5
805094	29	2	p. 3	809157	28	2	p. 3
805097	4	8	p. 3	809185	1	1	p. 3
805101	1	1	p. 15	809186	2	1	p. 3
805101	3	1	p. 5				
805827	21	1	p. 5				
806039	23	1	p. 15				
806039	31	2	p. 3				
806497	38	2	p. 11				
806546	6	1	p. 5				
806547	5	1	p. 5				
806660	27	2	p. 11				
806685	21	1	p. 5				
806686	19	1	p. 5				
807084	14	1	p. 9				
807084	22	1	p. 7				
807084	23	2	p. 11				
807084	38	4	p. 3				
807085	22	4	p. 3				
807163	12	2	p. 5				
807623	21	2	p. 3				
807623	21	4	p. 3				
807680	13	2	p. 3				
807681	12	2	p. 3				
807683	17	2	p. 3				
807687	2	1	p. 5				
807687	2	1	p. 5				
807723	32	1	p. 11				
807803	10	2	p. 3				
807886	9	2	p. 3				
807889	7	2	p. 3				
807893	5	1	p. 5				
807900	10	2	p. 3				
807994	7	2	p. 3				
807995	7	2	p. 3				
807996	7	2	p. 3				
808095	24	1	p. 3				
808177	5	1	p. 11				
808178	21	1	p. 11				
808179	33	1	p. 11				
808180	16	1	p. 11				
808181	10	1	p. 11				
808235	29	1	p. 9				
808257	2	1	p. 11				
808257	8	1	p. 15				
808265	14	1	p. 15				
808266	14	1	p. 11				
808326	6	2	p. 3				
808336	6	2	p. 3				
808337	6	2	p. 3				
808338	6	2	p. 3				
808389	18	1	p. 15				
808391	24	1	p. 15				
808406	13	1	p. 11				
808454	8	1	p. 9				
808534	2	1	p. 5				
808534	2	1	p. 5				
808624	31	1	p. 11				
808656	24	1	p. 11				
808719	4	1	p. 11				
808768	1	1	p. 7				
808777	12	1	p. 13				
808778	4	1	p. 13				
808798	8	1	p. 11				