



Reservdelskatalog Parts Catalogue

PARK PRO 20

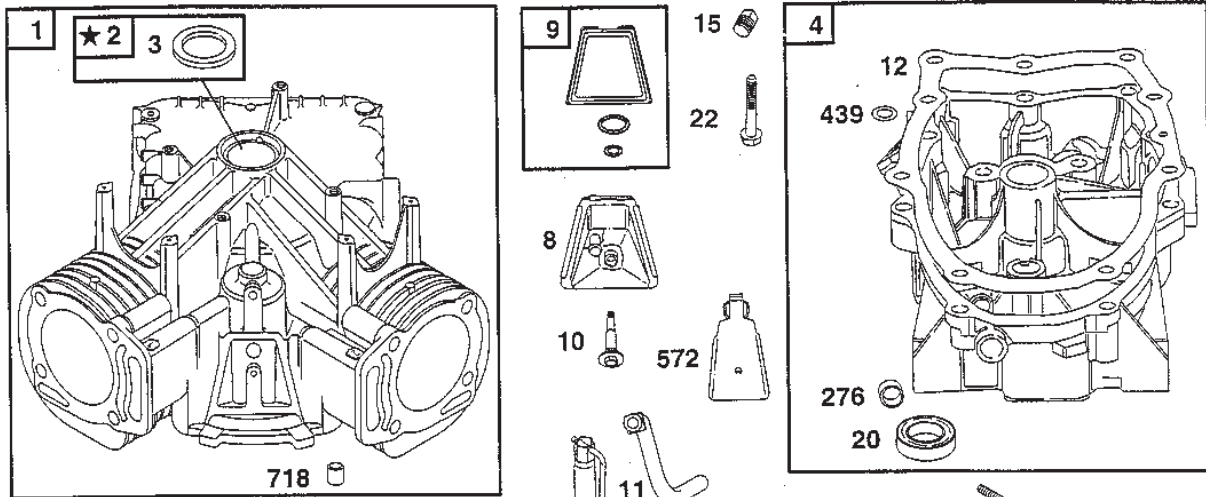
13-6221-42 - Season 2001

- Use GLOBAL GARDEN PRODUCT Genuine Spare Parts specified in the parts list for repair and/or replacement.
 - The contents described in the parts list may change due to improvement.
 - The drawings of the spare parts are only indicative and might not represent the part in question exactly.
 - The indications "right" - "left" - "front" - "rear" refer to the position of the operator when using the machine.
- When placing orders of parts for repair and/or replacement, make sure that the illustrated parts list is the one applying to the machine's year of manufacture, as shown on the identification plate attached to the machine.

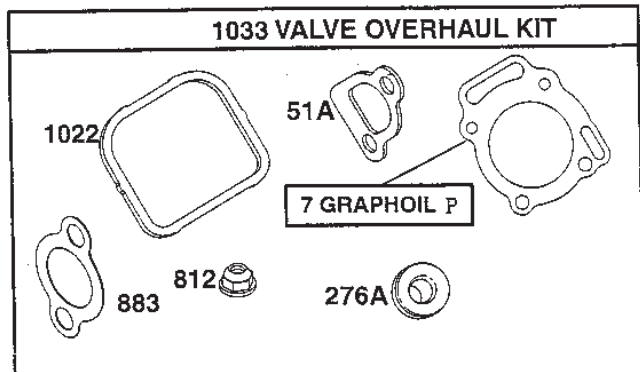
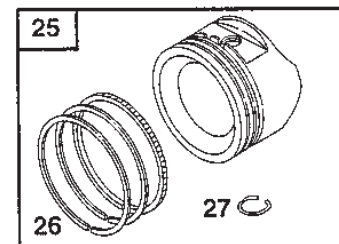
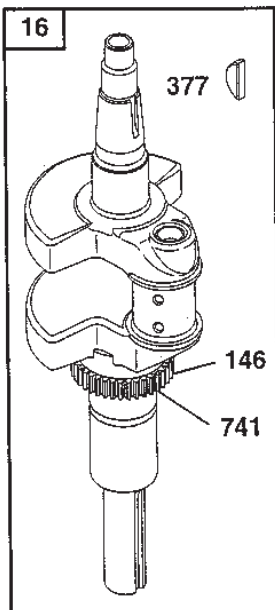
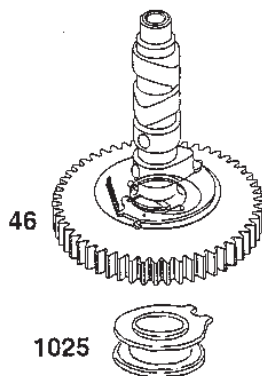
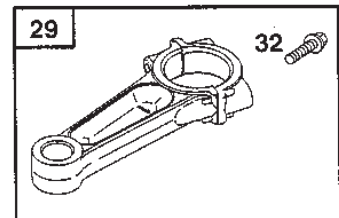
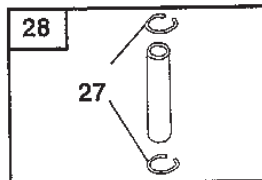
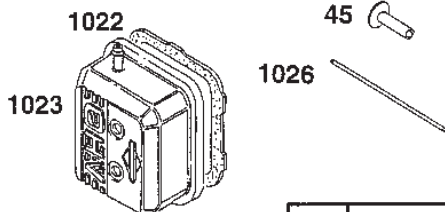
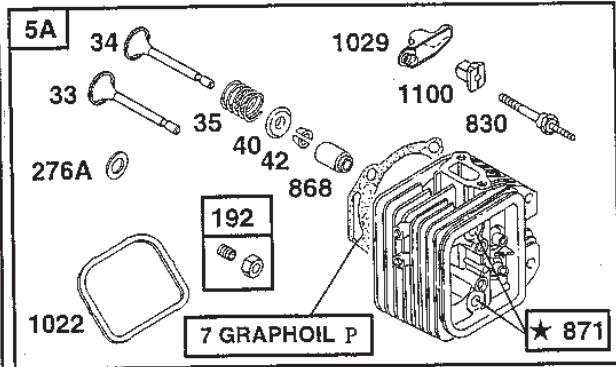
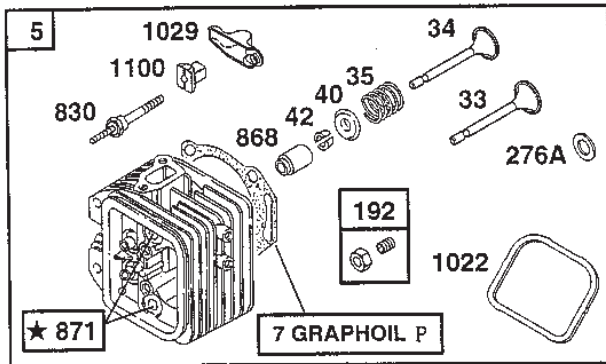
© Copyright 2014 Global Garden Products

All rights reserved. No part of this material may be reproduced or transmitted, in any form or by any means, electronic or mechanical, including photocopying, recording or by any information storage and retrieval system, without permission in writing from GLOBAL GARDEN PRODUCTS.

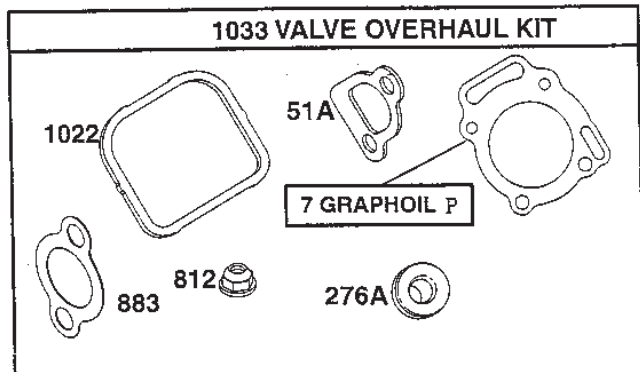
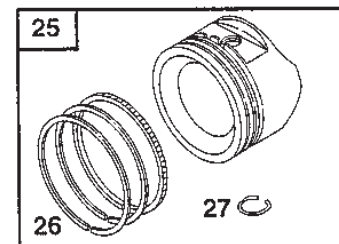
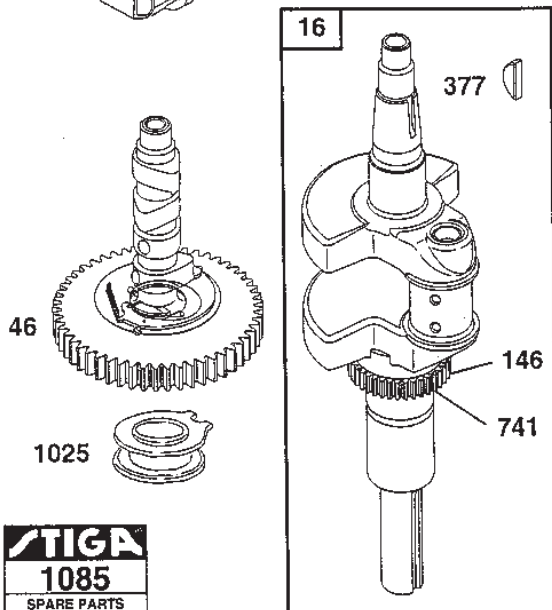
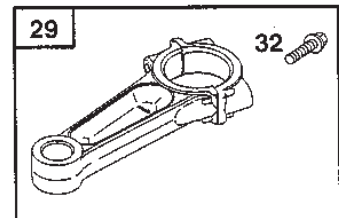
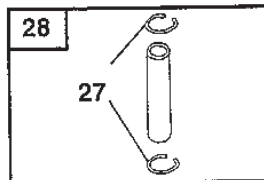
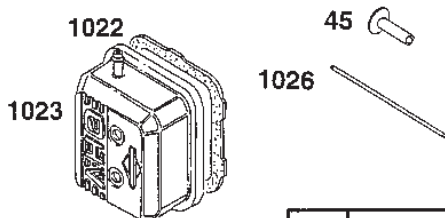
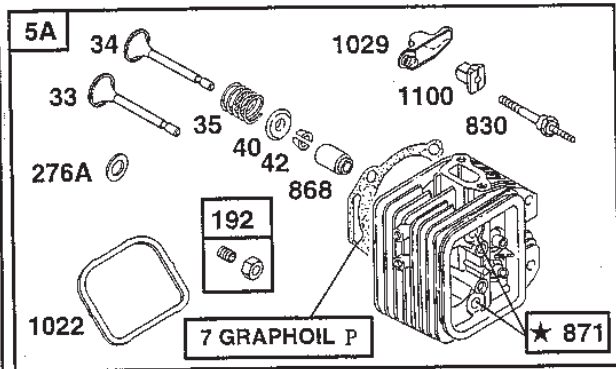
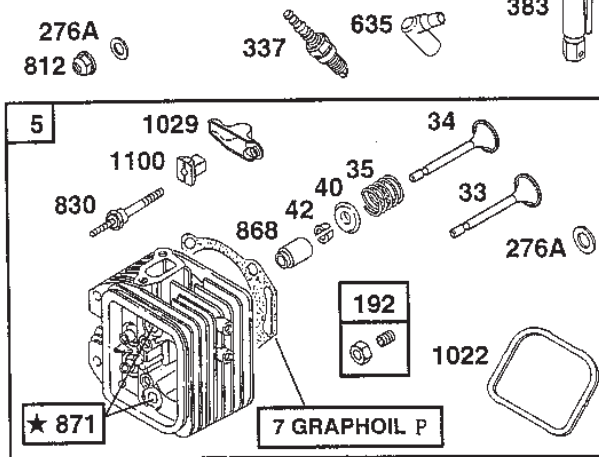
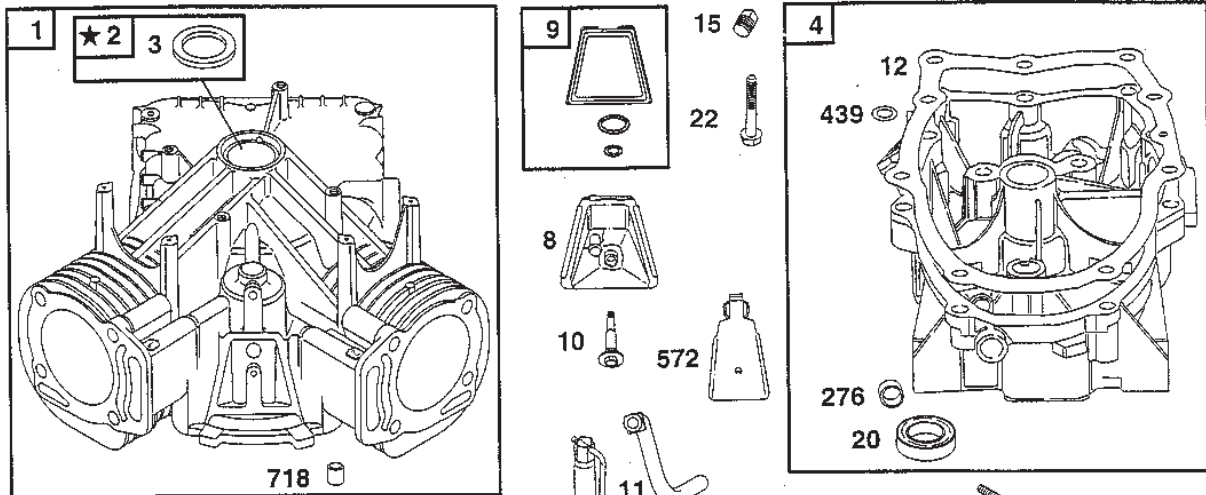
www.stiga.com



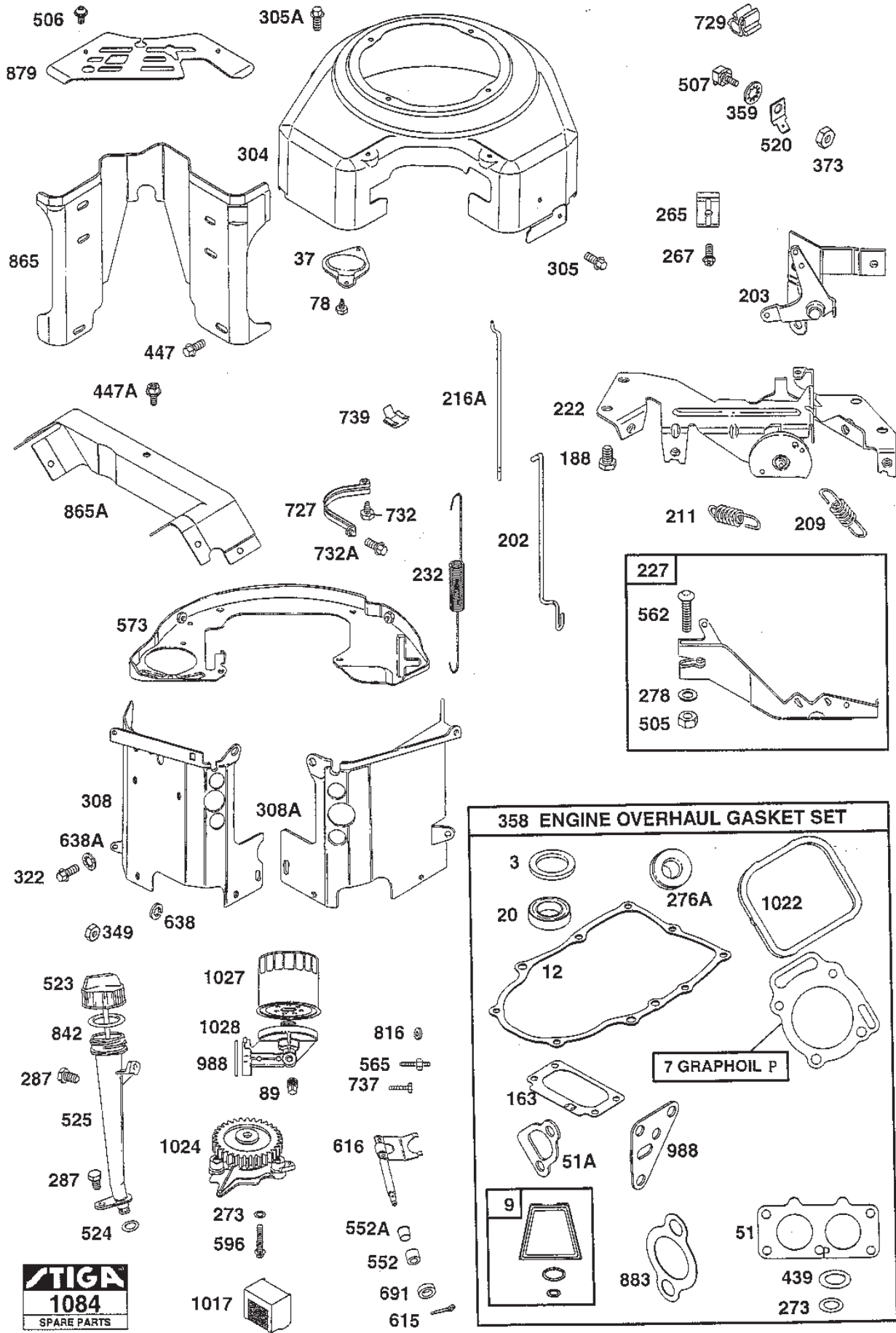
383



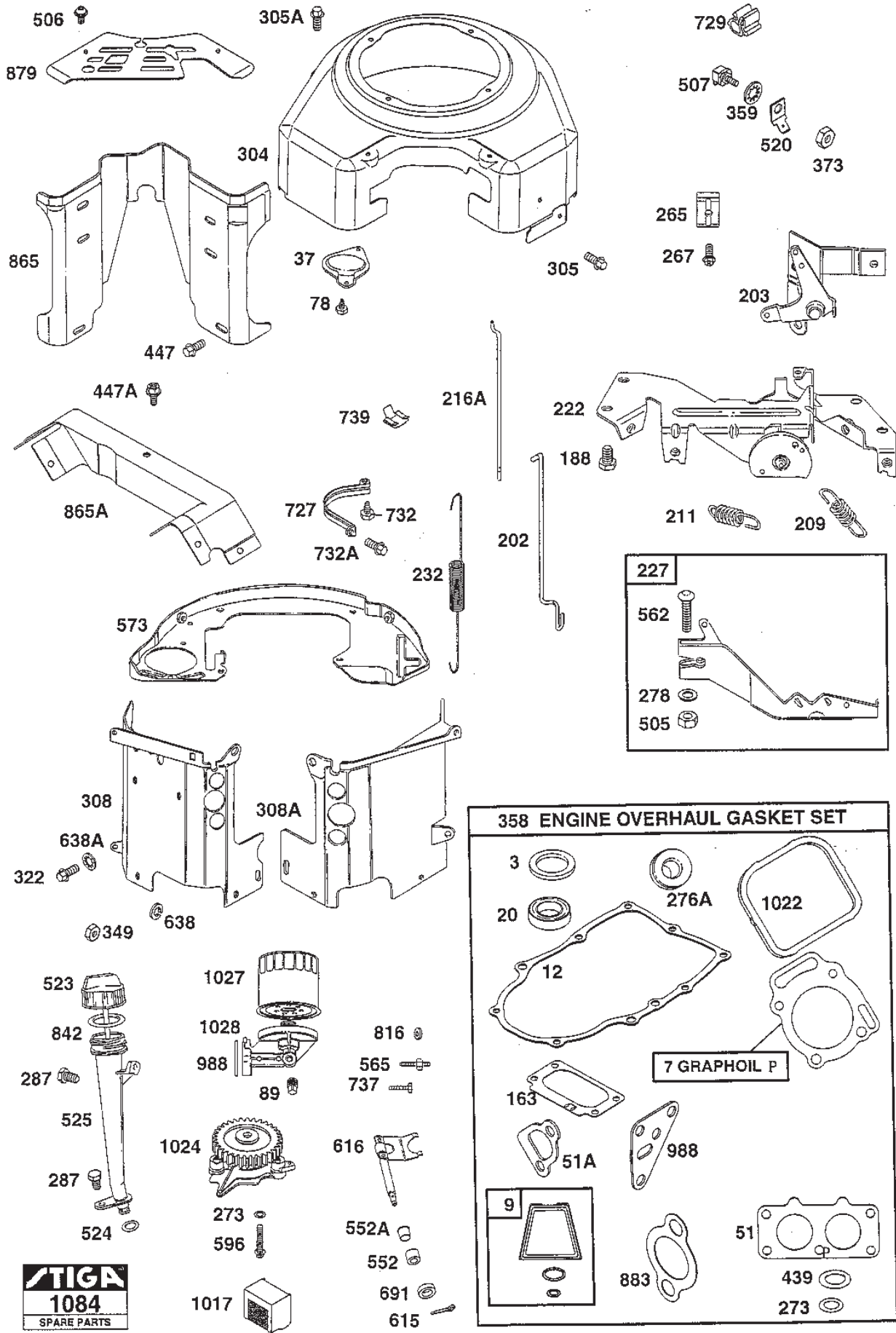
Utgåva Issue 48 - 2014		Cylinder Vevhus	Cylinder Crankcase		
Pos. Fig.	Antal Quantity	Art nr Part No	Benämning	Description	Anmärkning Notes
1	1	692545	Cylinder kpl	Cylinder Assy	
2	1	807687	Bussning	Bushing	
3	1	805101	Oil seal	Oil seal	
4	1	808846	Vevhus kpl	Engine sump assy	
5	1	808384	Topplöck	Cylinder Head	Cylinder #2
5	1	808383	Topplöck	Cylinder Head	Cylinder #1
7	2	690888	Topplöckspackning	Cylinder head gasket	
8	1	807795	Vevhusventilation	Breather	
9	1	807688	Packning	Gasket	
10	1	690751	Skruv	Screw	
11	1	690873	Breather Tube	Breather Tube	
12	1	806190	Crankcase gasket	Crankcase gasket	
13	8	805097	Skruv	Screw	
15	1	805870	Oil drain plug	Oil drain plug	
16	1	692172	Crankshaft	Crankshaft	
20	1	805049	Oil seal	Oil seal	
22	9	692540	Skruv	Screw	
25	2	808338	Kolv kpl	Piston Assy	.030 oversize
25	2	808337	Kolv kpl	Piston Assy	.020 oversize
25	2	808336	Kolv kpl	Piston Assy	.010 oversize
25	2	808326	Kolv kpl	Piston Assy	
26	2	807996	Fuel tank assy	Ring set	.030 oversize
26	2	807995	Belt keeper	Ring set	.020 oversize
26	2	807994	Fuel tank assy	Ring set	.010 oversize
26	2	807889	Fuel tank assy	Ring set	
27	4	690683	Lasring	Piston Pin	
28	2	807886	Kolvsprint	Piston Pin	
29	2	807803	Governor gear	Connecting Rod	.020 undersize
29	2	807900	Bearing holder	Connecting Rod	
32	4	690698	Skruv	Screw	
33	2	807681	Exhaust valve	Exhaust valve	
34	2	807680	Insugningsventil	Intake valve	
35	4	805937	Fjäder	Spring	
40	4	805092	Retainer	Retainer	
42	4	807683	Cover	Retainer	
45	4	262679	Valve tappet	Valve tappet	
46	1	691557	Kamaxel	Camshaft	
146	1	94196	Kil	Key	
192	2	807623	Skruv	Screw	
276	6	805420	Bricka	Washer	
276	1	690704	Bricka	Washer	
337	2	9400-0244-00	Tändstift	Spark Plug	Champion RC-12YC
337	2	491055	Spark plug-long thr	Spark plug-long thr.	
377	1	806066	Kil	Key	
383	1	19374	Hylsnyckel	Spark plug wrench	
439	1	692154	Seal o-ring	Seal o-ring	
572	1	690686	Breather baffle	Breather baffle	
635	2	805529	Tändstiftsskydd	Spark plug elbow	
718	2	690684	Sprint	Locating pin	



Utgåva Issue 48 - 2014		Cylinder Vevhus Cylinder Crankcase			
Pos. Fig.	Antal Quantity	Art nr Part No	Benämning	Description	Anmärkning Notes
741	1	691530	Timing gear	Timing gear	
812	4	805019	Mutter	Nut	
830	4	691544	Stud	Stud	
868	4	805094	Seal	Seal	
871	4	805084	Valve guide	Valve guide	
1022	2	806039	Packning	Gasket	
1023	2	691494	Ventilkapa	Rocker arm cover	
1025	1	690689	Governor spool	Governor spool	
1026	2	805352	Stötstang (stål)	Push rod (steel)	
1026	2	805617	Stötstang (alum)	Push rod (alum)	
1029	2	691543	Vipparm	Rocker arm	
1033	1	808391	Trunion weldment	Valve overhaul kit	
1100	2	690973	Vipparmsstyrning	Rocker arm pivot	

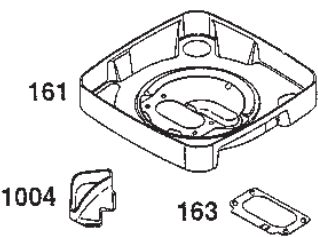
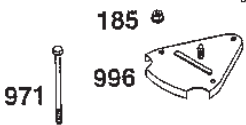
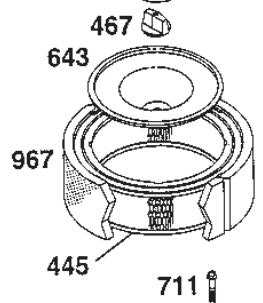
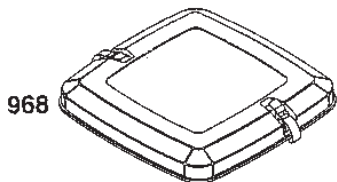
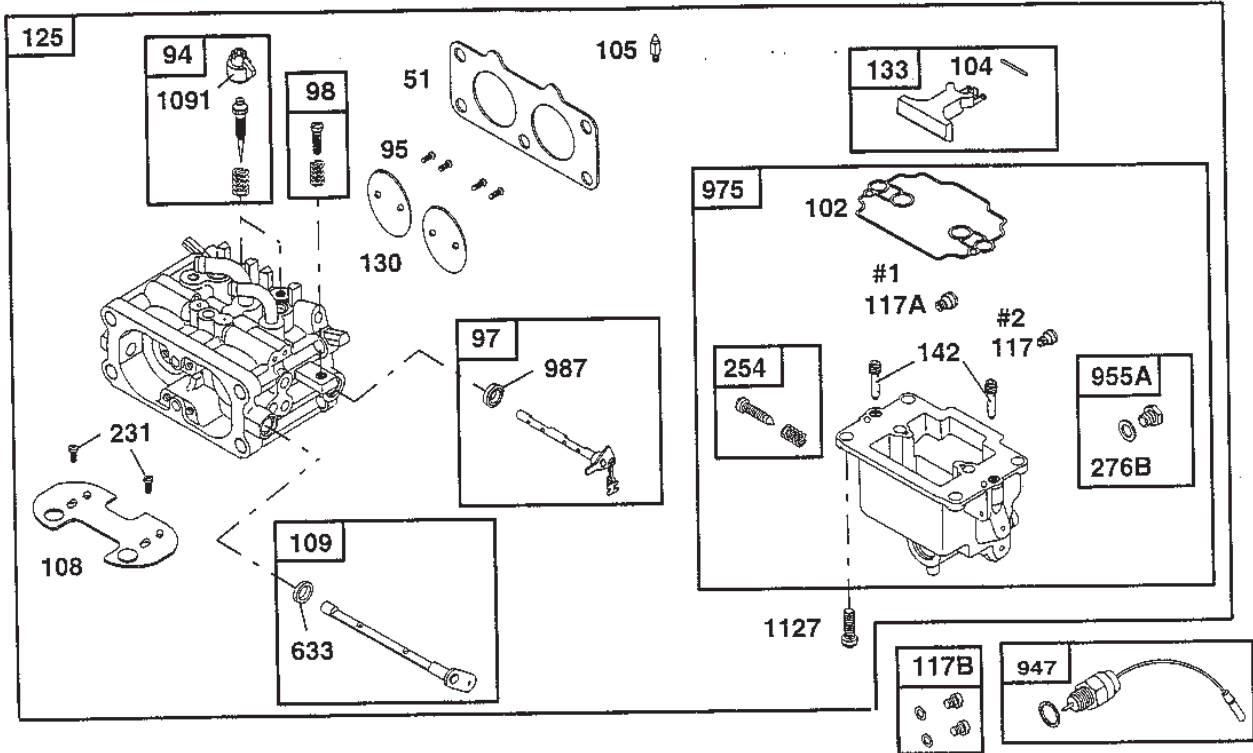


Utgåva Issue 48 - 2014		Regulator Smörjning		Governor Lubrication	
Pos. Fig.	Antal Quantity	Art nr Part No	Benämning	Description	Anmärkning Notes
37	1	690715	Flywheel guard	Flywheel guard	
78	2	690688	Skruv	Screw	
89	1	690283	Oil drain plug	Oil drain plug	
188	2	805025	Skruv	Screw	
202	1	690867	Governor link	Governor link	
203	1	690923	Bell crank	Bell crank	
209	1	805462	Governor fjäder	Governor fjäder	
211	1	805453	Fjäder	Spring	
216	1	690871	Choke link	Choke link	
222	1	808454	Pin pivot	Governor bracket	
227	1	690236	Reglagearm	Lever	
232	1	690874	Governor link spring	Governor link spring	
265	1	221535	Klämma	Clamp	
267	1	805762	Skruv	Screw	
273	2	690681	O-ringstättning	O-ring seal	
278	1	690237	Bricka	Washer	
287	2	692537	Skruv	Screw	
304	1	690915	Blower housing	Blower housing	
305	2	805247	Skruv	Screw	L = 20 mm
305	4	805025	Skruv	Screw	L = 16 mm
308	1	806546	Ventilkapa kpl	Cylinder Head Cover	Cylinder #2
308	1	806547	Ventilkapa kpl	Cylinder Head Cover	Cylinder #1
322	2	692539	Skruv	Screw	
349	2	690238	Mutter	Nut	
358	1	808389	Packningssats	Overhaul gasket set	Märkta/marked S
359	1	691077	Bricka	Washer	
373	1	90576	Mutter	Nut	
447	1	805448	Skruv	Screw	
447	2	692539	Skruv	Screw	
505	1	690238	Mutter	Nut	
506	2	690677	Skruv	Screw	
507	1	398525	Isolator	Insulator	
520	1	691084	Ground terminal	Ground terminal	
523	1	807985	Clevis pin	Oil dipstick	
524	1	805011	Oil seal	Oil seal	
525	1	807501	Pafyllningsrör	Oil filler tube	
552	1	806686	Bussning	Bushing	
552	1	690701	Bussning	Bushing	
562	1	690239	Bult	Bolt	
565	2	690682	Stud	Stud	
573	1	690902	Back plate	Back plate	
596	2	691492	Skruv	Screw	
615	1	691550	Hallare	Gov. shaft retainer	
616	1	806685	Governor crank	Governor crank	
638	2	691551	Bricka	Washer	
638	2	690706	Bricka	Washer	
691	1	690680	Tätning	Gov. shaft seal	
727	1	690714	Startdrevsskydd	Starter drive Cover	
729	1	690586	Wire clip	Wire clip	

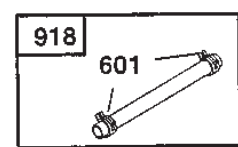
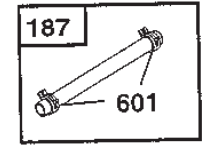
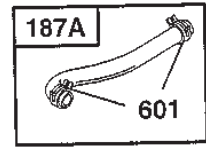
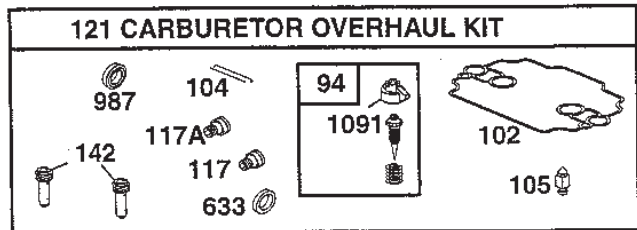
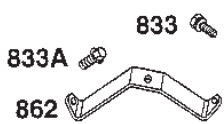
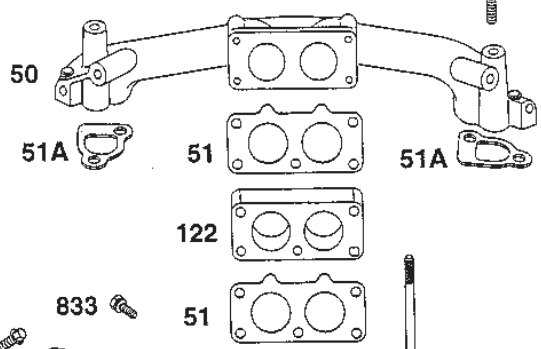
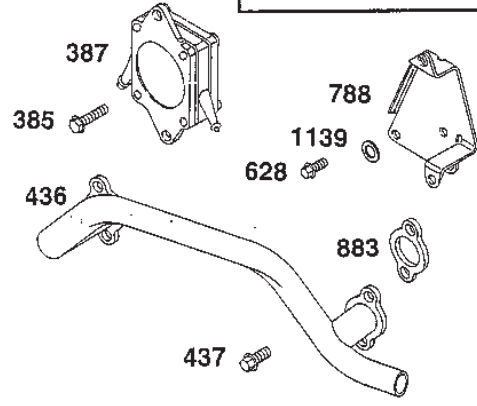


STIGA
1084
SPARE PARTS

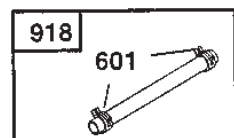
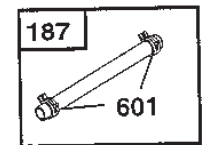
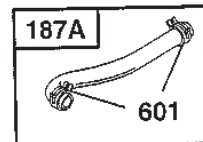
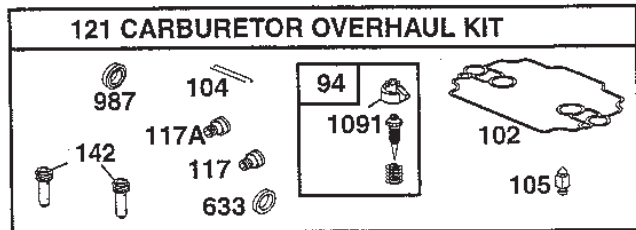
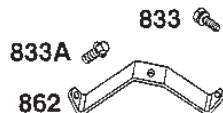
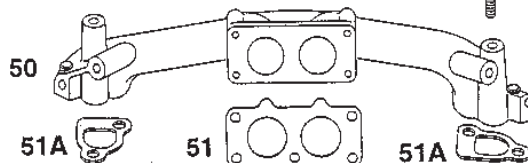
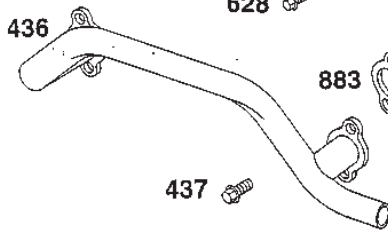
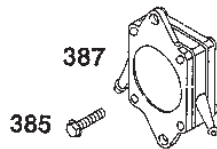
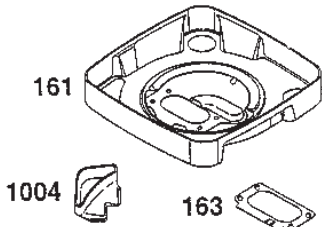
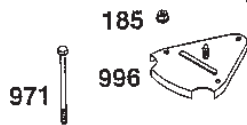
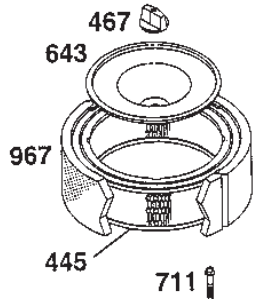
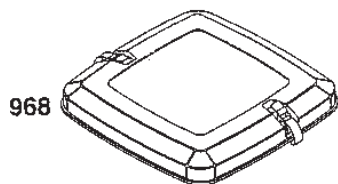
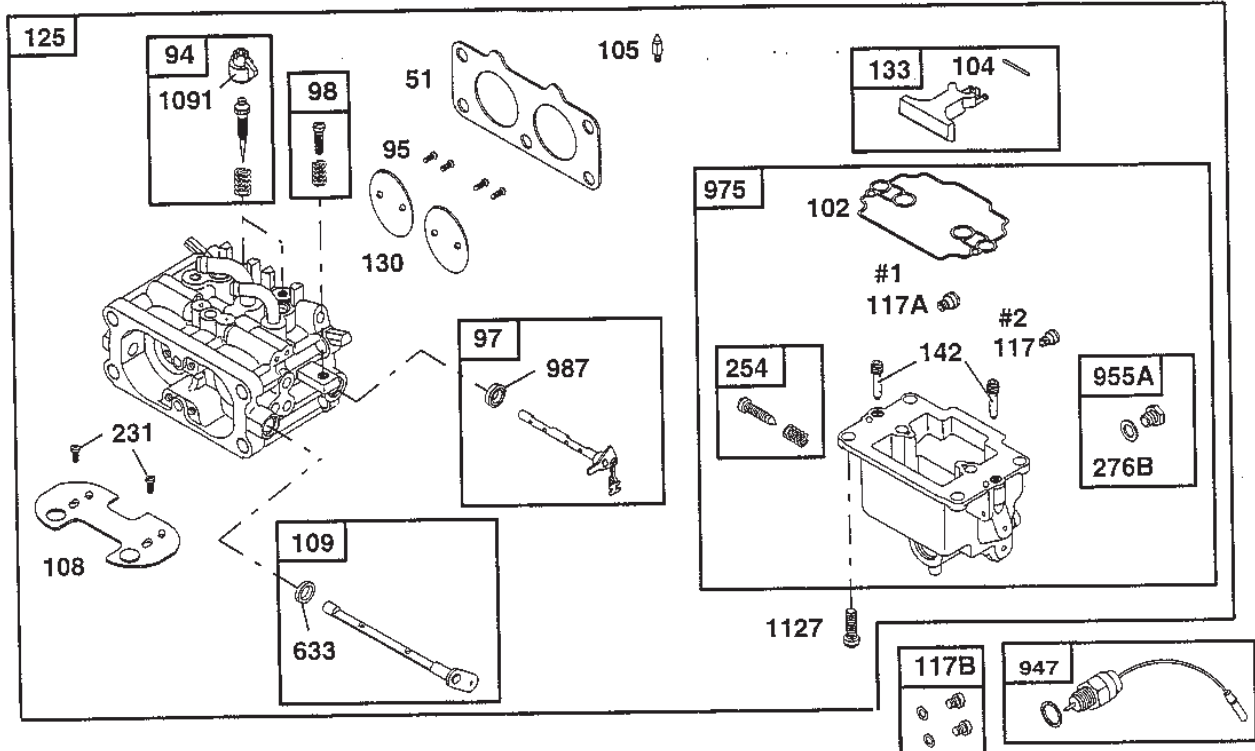
Utgåva Issue 48 - 2014		Regulator Smörjning Governor Lubrication			
Pos. Fig.	Antal Quantity	Art nr Part No	Benämning	Description	Anmärkning Notes
732	1	690688	Skruv	Screw	
732	1	692539	Skruv	Screw	
737	2	690679	Skruv	Screw	
739	1	690451	Debris clip	Debris clip	
816	2	690706	Bricka	Washer	
842	1	270920	Tätning	Seal	
865	1	690750	Luftplat	Air guide cover	
865	1	690901	Luftplat	Air guide cover	
879	1	690757	Förgasarkapa	Carburettor Cover	
988	1	805250	Packning	Gasket	
1017	1	690878	Oil pump screen	Oil pump screen	
1024	1	693186	Oil pump	Oil pump	
1027	1	492932	Oljefilter	Oil Filter	
1028	1	808235	Oljefilteradapter	Oil filter adapter	



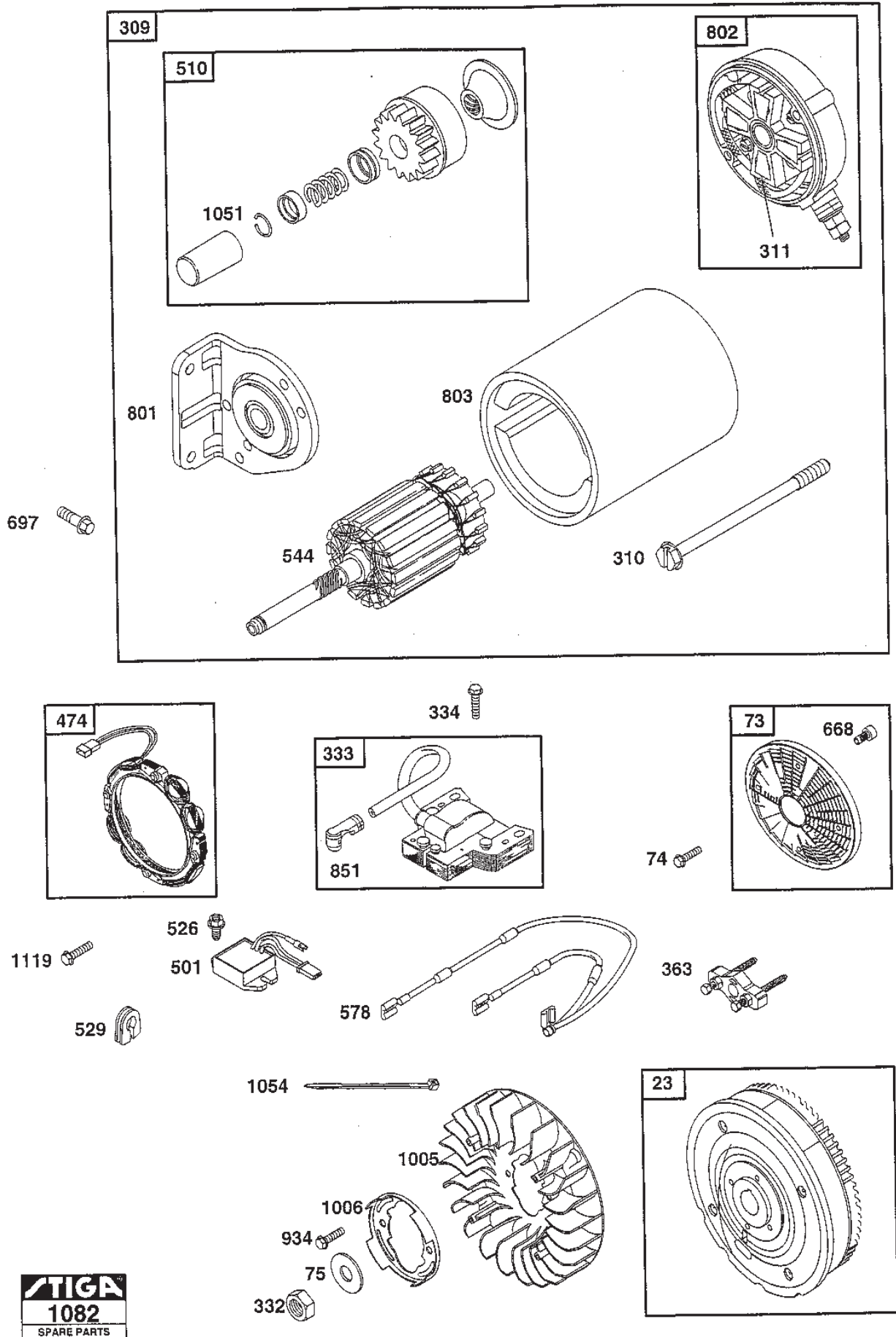
STIGA
1083
SPARE PARTS



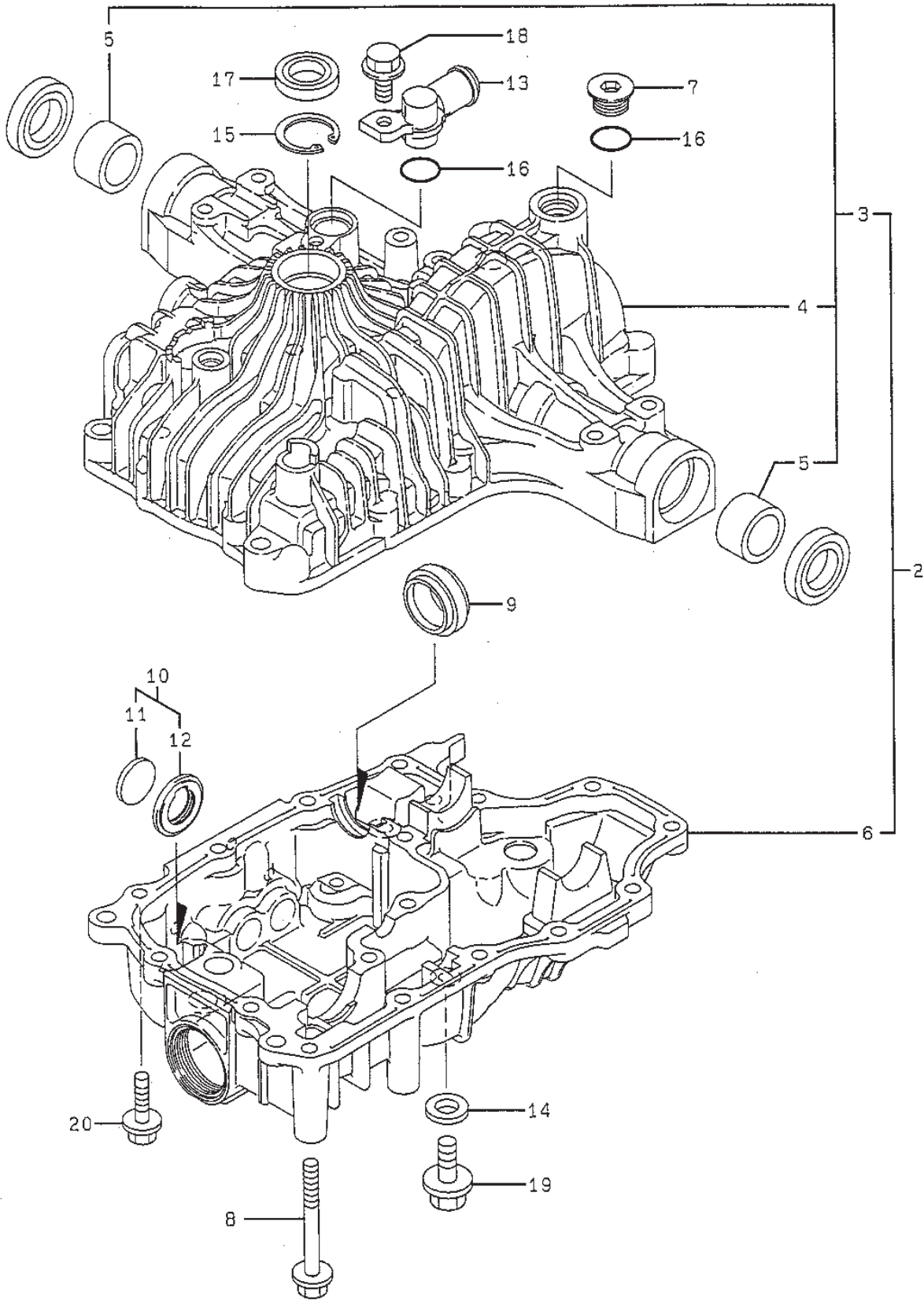
Utgåva Issue 48 - 2014		Förgasare Luftfilter	Carburettor Air Cleaner		
Pos. Fig.	Antal Quantity	Art nr Part No	Benämning	Description	Anmärkning Notes
50	1	690886	Insugningsrör	Intake Manifold	
51	2	805023	Packning	Gasket	
51	2	690950	Packning	Intake Gasket	
53	2	690869	Stud	Stud	
54	2	690676	Skruv	Screw	
94	1	808257	Justerskruv	Idle mixture kit	
95	4	690718	Skruv	Screw	
97	1	808719	Spjällsaxeln	Throttle Shaft	
98	1	808177	Justerskruv	Idle speed kit	
102	1	693711	Body gasket	Body gasket	
104	1	690882	Flottöraxel	Float hinge pin	
105	1	805547	Nalventil	Float needle valve	
108	1	690883	Choke valve	Choke valve	
109	1	808181	Carrier plate	Choke shaft	
117	1	808406	Huvudmunstycke	Main jet kit	Hög höjd/high alt.
117	1	690881	Huvudmunstycke	Main jet	Cylinder #2
117	1	690880	Huvudmunstycke	Main jet	Cylinder #1
121	1	808265	Retaining clip	Carb.overhaul kit	Märkta/marked F
122	1	690870	Distans	Spacer	
125	1	808266	Förgasare kpl	Carburettor Assy	
130	2	690884	Gasspjäll	Throttle Valve	
133	1	808180	Flottör	Float	
142	2	690879	Nozzle	Nozzle	
161	1	690916	Luftrenarfäste	Air Cleaner Base	
163	1	806013	Packning	Gasket	
185	3	690939	Mutter	Nut	
187	1	691049	Fuel line	Fuel line	
187	1	296004	Fuel pipe	Fuel pipe	
231	2	690718	Skruv	Screw	
240	1	493629	Bränslefilter	Fuel Filter	
254	1	808178	Cover	Bowl drain	
276	1	690724	Bricka	Washer	
385	2	693169	Skruv	Screw	
387	1	808656	Packing	Fuel pump	
436	1	691501	Grenrör	Exhaust manifold	
437	4	805158	Skruv	Screw	
445	1	394018	Air cleaner cartridge	Air cleaner cartridge	
467	1	491875	Lasratt	Knob	
527	1	690423	Tube Clamp	Tube Clamp	
601	6	93807	Slangklämma	Hose clamp	
628	2	805247	Skruv	Screw	
633	1	690722	Choke shaft seal	Choke shaft seal	
643	1	805631	Plat	Plate	
711	3	691492	Skruv	Screw	
788	1	691559	Fuel pump bracket	Fuel pump bracket	
833	1	690872	Skruv	Screw	
833	1	692539	Skruv	Screw	
862	1	690868	Fäste	Mounting strap	
883	2	805024	Packning	Gasket	



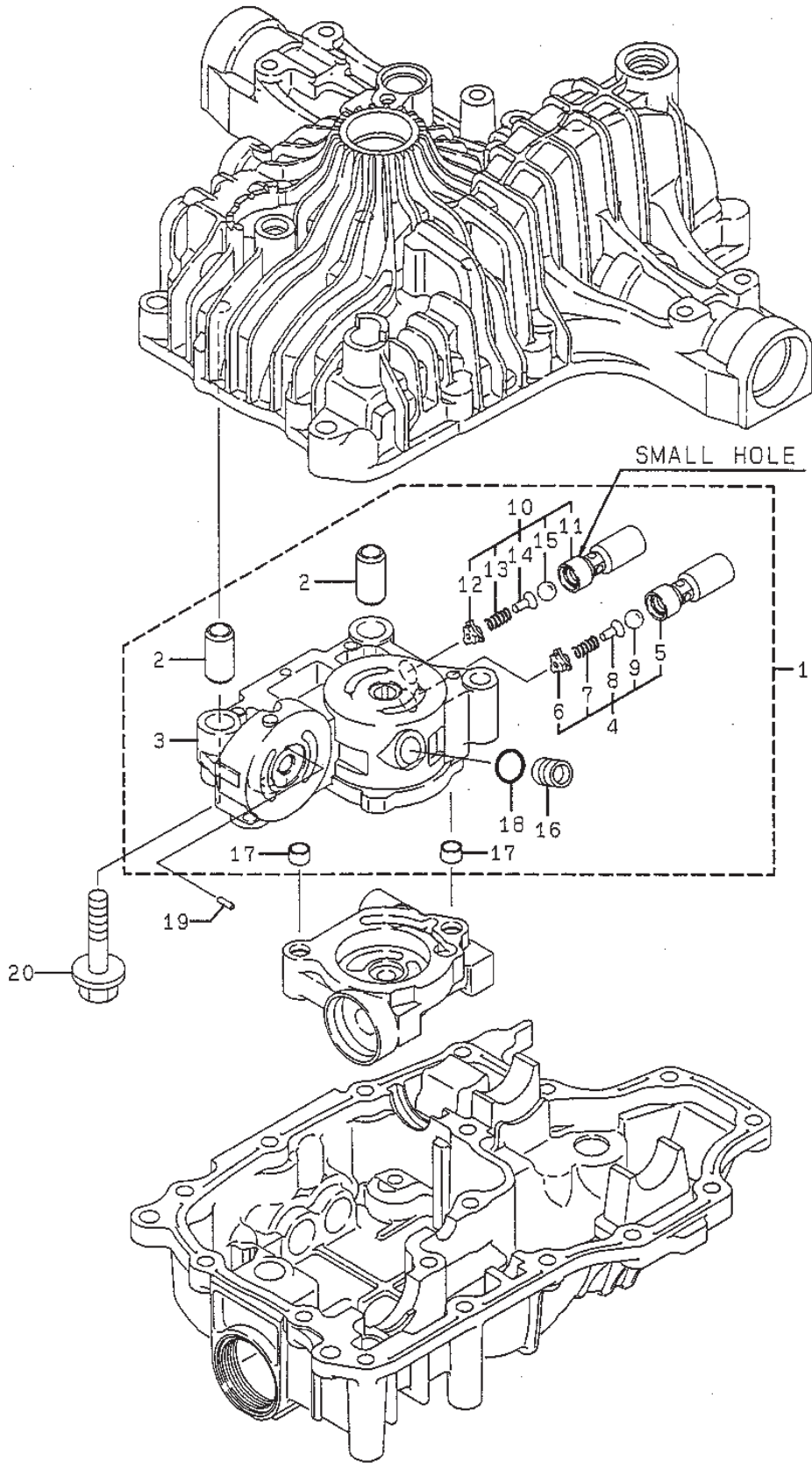
Utgåva Issue 48 - 2014		Förgasare Luftfilter Carburettor Air Cleaner			
Pos. Fig.	Antal Quantity	Art nr Part No	Benämning	Description	Anmärkning Notes
918	1	393815	Bränsleledning	Fuel line	
947	1	808624	Packing	Fuel solenoid	
955	1	807723	Choke link	Carburettor plug	
967	1	272490	Förfilter	Pre cleaner filter	
968	1	807862	Wheel axle bolt	Cover	
971	2	690866	Skruv	Screw	
975	1	808179	Flottörhus	Float bowl	
987	1	806070	Throttle shaft seal	Throttle shaft seal	
996	1	690817	Carburetor	Carburetor	
1004	1	690865	Luftkanal	Air Duct	
1091	1	691516	Huv	Limiter cap	
1127	4	690885	Skruv	Screw	
1139	2	806497	Bricka	Washer	



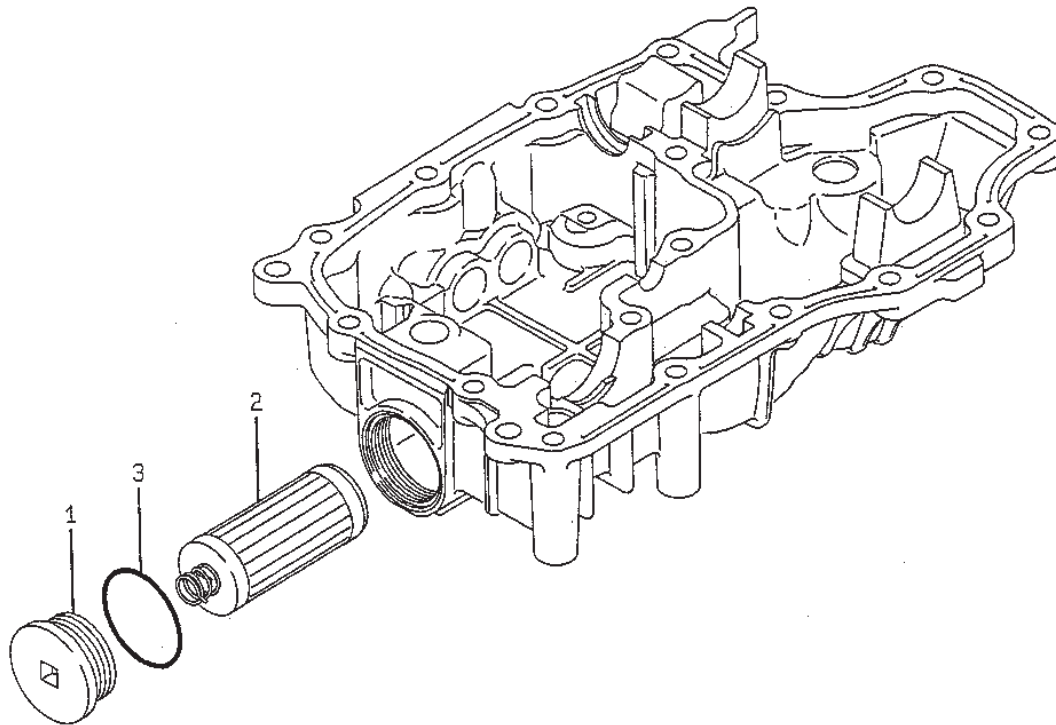
Utgåva Issue 48 - 2014		Startmotor Elsystem		Starter Motor Electric System	
Pos. Fig.	Antal Quantity	Art nr Part No	Benämning	Description	Anmärkning Notes
23	1	808768	Flywheel	Flywheel	
73	1	494439	Nät	Screen	
74	4	805447	Skruv	Screw	
75	1	691490	Bricka	Washer	
309	1	691564	Starter motor	Starter motor	
310	2	496880	Bult	Bolt	
311	4	496887	Brush set	Brush set	
332	1	690887	Mutter	Nut	
333	1	492341	Armature magneto	Armature magneto	
334	2	805407	Skruv	Screw	
363	1	19203	Avdragare	Puller	
474	1	393295	Generator	Alternator	
501	1	394890	Regulator	Regulator	
510	1	496881	Startdrev	Starter Drive	
526	1	805448	Skruv	Screw	
529	1	690744	Gummihylsa	Grommet	
544	1	690855	Starter armature	Starter armature	
578	1	493792	Gasreglage	Throttle Cable	
668	4	691500	Distans	Spacer	
697	2	805247	Skruv	Screw	
801	1	808777	Lock	Drive cap	
802	1	496813	Botten	End Cap	
803	1	690854	Starter housing	Starter housing	
851	2	493880	Terminal	Terminal	
934	2	94627	Skruv	Screw	
1005	1	690911	Flywheel fan	Flywheel fan	
1006	1	690452	Fläkthallare	Fan retainer	
1051	1	691124	Retaining ring	Retaining ring	
1054	1	280275	Cable tie	Cable tie	
1119	2	691552	Skruv	Screw	



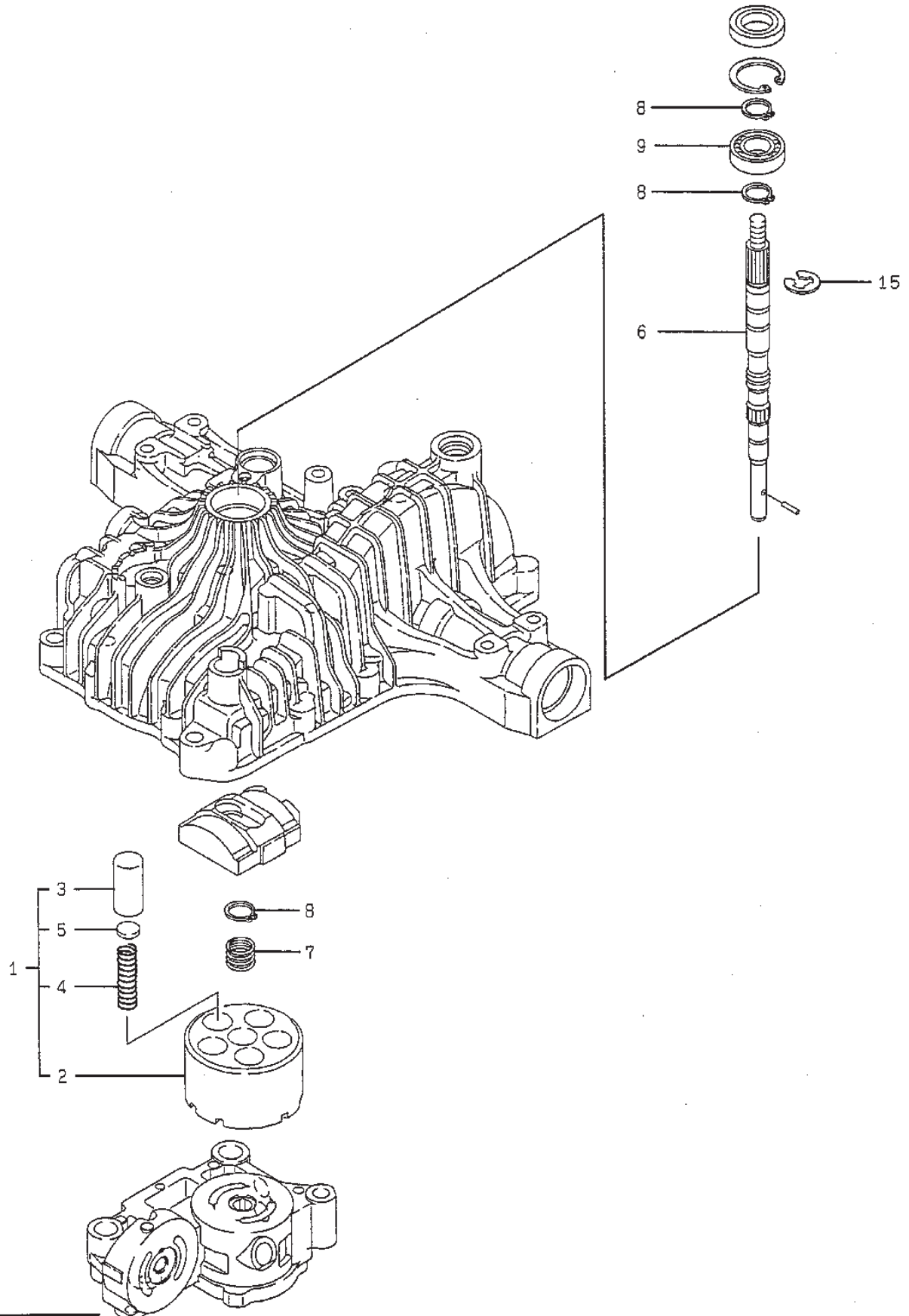
Utgåva Issue 48 - 2014		Transmission			
Pos. Fig.	Antal Quantity	Art nr Part No	Benämning	Description	Anmärkning Notes
2	1	1139-1211-01	Transmissionshus Kpl	Transaxle Case Set	Inkl. pos 3 - 6/K66B
3	1	1139-1169-01	Övre Hus Kpl	Upper Case Cmp	Inkl. pos 4 - 5/K66B
6	1	1139-1212-01	Nedre Hus	Lower Housing	/K66B
7	1	1139-1171-01	OljePlugg	Oil Cap	/K66B
8	5	1139-1006-01	Bult	Bolt	/K66B
9	1	1139-1172-01	Filter	Filter	/K66B
10	1	1139-1057-01	Magnet Kpl	Magnet Assy	Inkl. pos 11 - 12/K66B
13	1	1139-1179-01	Nippel	Fitting	/K66B
14	2	1139-1277-01	Bricka	Washer	/K66B
15	1	1139-1104-01	Lasring	Snap Ring	/K66B
16	2	1139-1116-01	O-Ring	O-Ring	/K66B
17	1	1139-1119-01	Tätning	Seal 15*35*7	/K66B
18	1	1139-1124-01	Bult	Bolt	/K66B
19	2	1139-1292-01	Bult	Bolt	/K66B
20	12	1139-0244-01	Skruv	Screw	/K66B



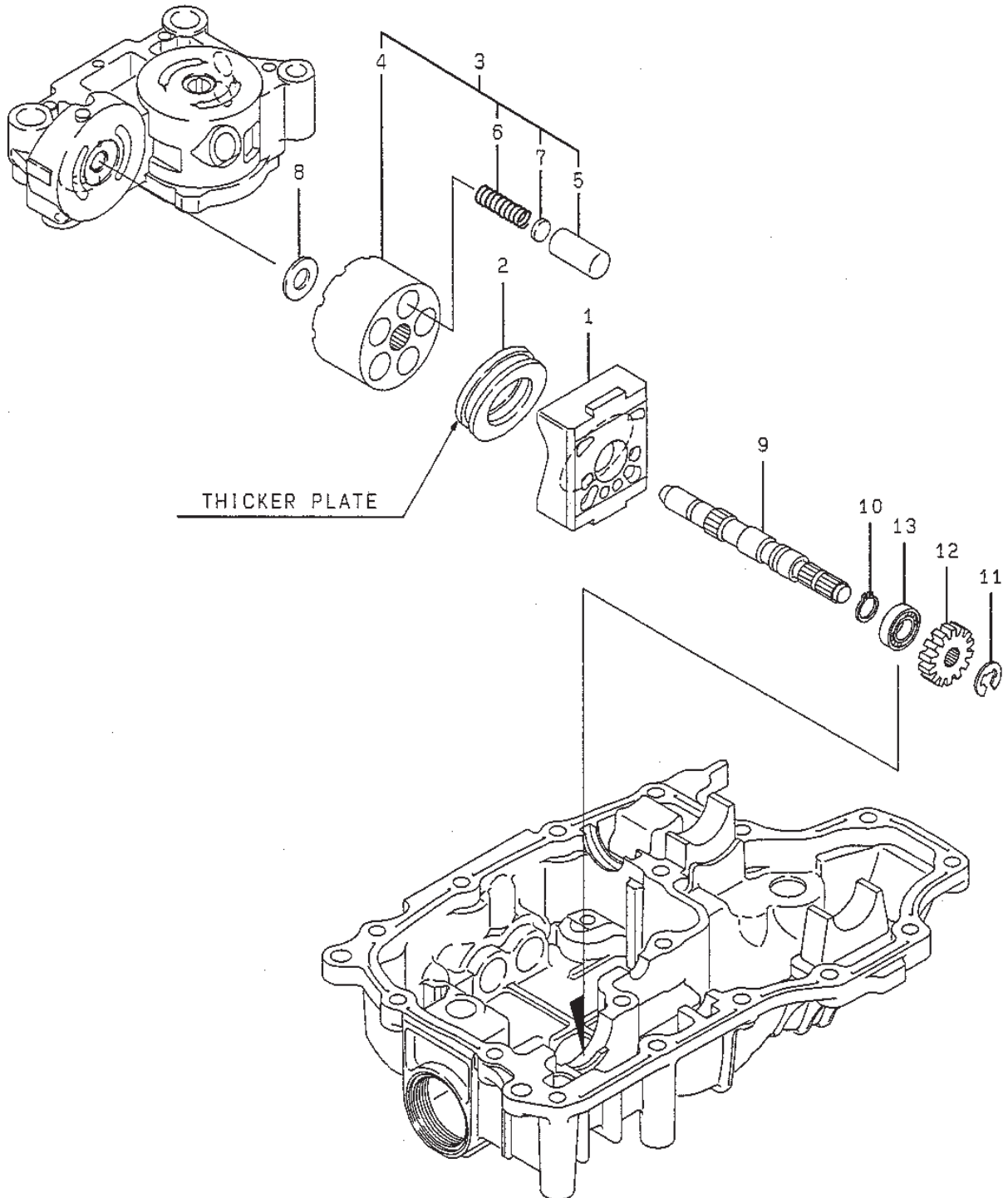
Utgåva Issue 48 - 2014		Transmission			
Pos. Fig.	Antal Quantity	Art nr Part No	Benämning	Description	Anmärkning Notes
1	1	1139-1178-01	Centrumhus Kpl	Center Case Cmp	Inkl. pos 2 - 18/K66B
2	2	1139-1231-01	Stift	Knock Pin	/K66B
4	1	1139-1175-01	Ventil Kpl	Valve Set	Inkl. pos 5 - 9/K66B
10	1	1139-1176-01	Ventil Kpl	Valve Set	Inkl. pos 11 - 15/K66B
16	1	1139-1177-01	Plugg	Plug	/K66B
17	2	1139-1166-01	Stift	Pin	/K66B
18	1	1139-1117-01	O-Ring	O-Ring	/K66B
19	1	1139-1158-01	Stift	Pin	/K66B
20	3	1139-1293-01	Bult	Bolt	/K66B



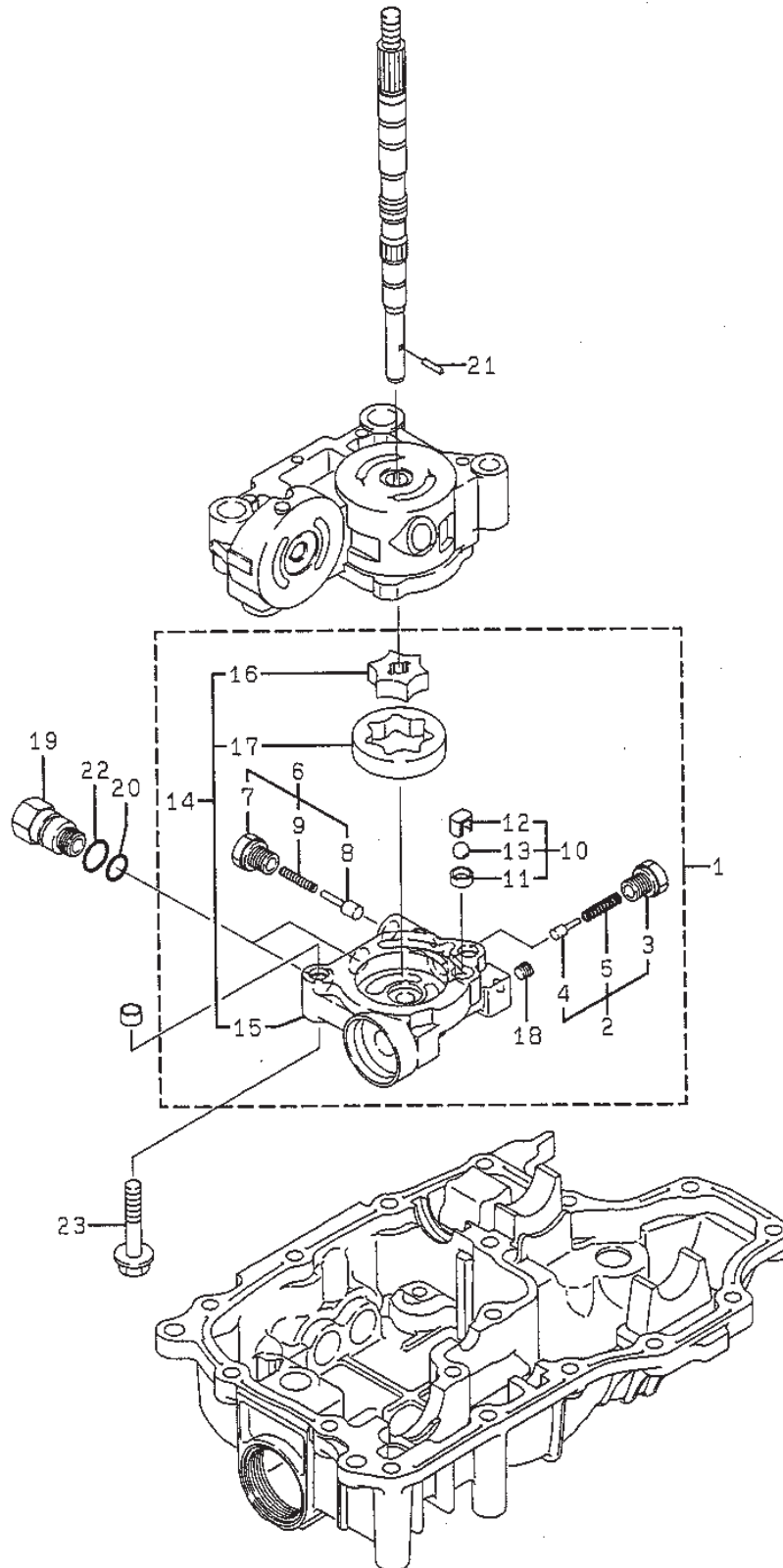
Utgåva Issue 48 - 2014		Transmission			
Pos. Fig.	Antal Quantity	Art nr Part No	Benämning	Description	Anmärkning Notes
1	1	1139-1230-01	Lock	Cap	/K62E/K66B/
2	1	1139-1186-01	Filter	Filter	K66B
3	1	1139-1290-01	Packning	Packing	/K62E/K66B/



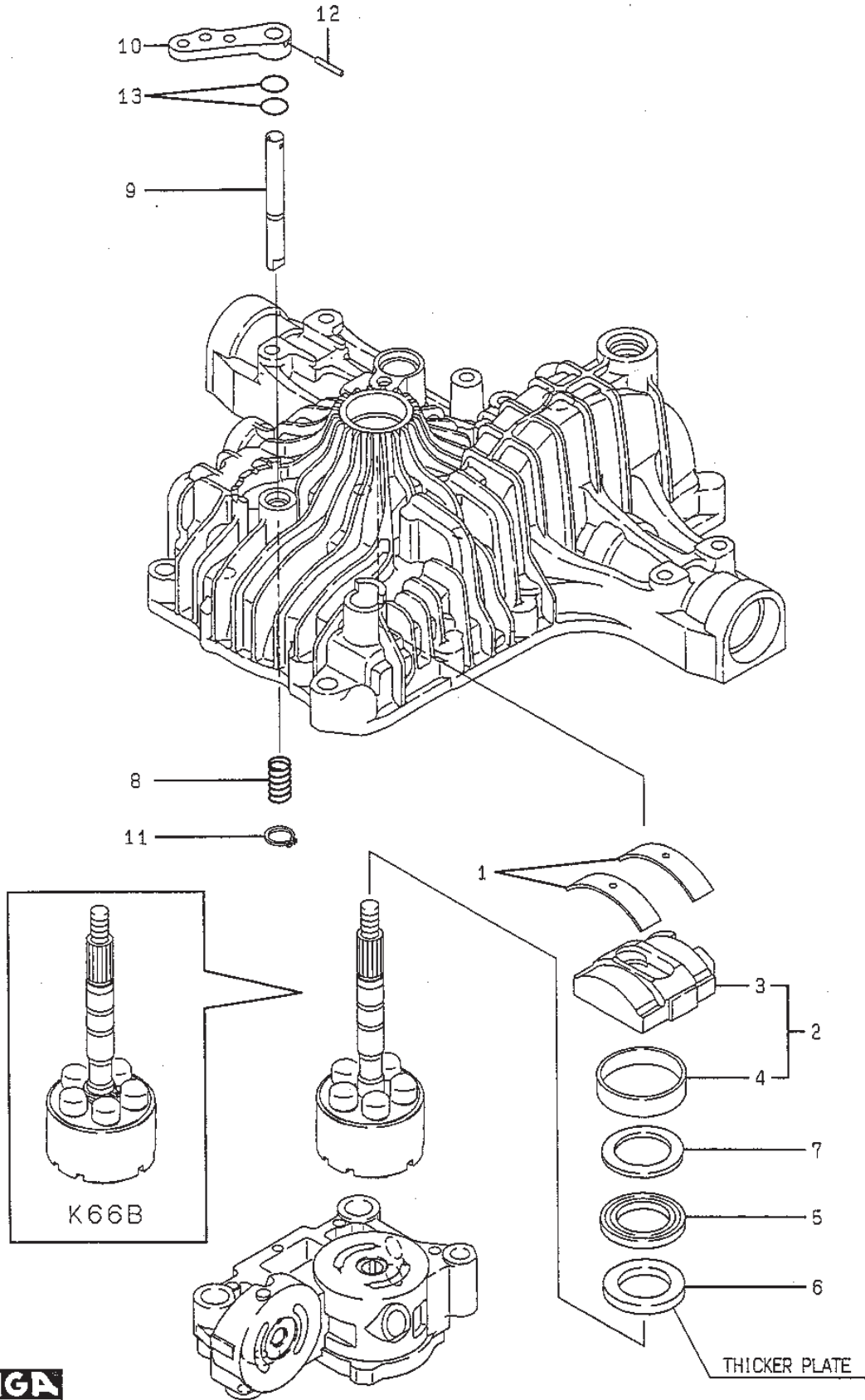
Utgåva Issue 48 - 2014		Transmission			
Pos. Fig.	Antal Quantity	Art nr Part No	Benämning	Description	Anmärkning Notes
1	1	1139-1139-01	Cylinderblock Kpl	Cylinder Block Assy	Inkl. pos 2 - 5/K66B
6	1	1139-1214-01	Pumpaxel	Pump Shaft	/K66B
7	1	1139-1018-01	Fjäder	Spring	/K66B
8	3	1139-1021-01	Lasring	Snap Ring	/K66B
9	1	1139-1110-01	Kullager	Ball Bearing	/K66B
15	1	1139-1146-01	Lasring	Ring	/K66B



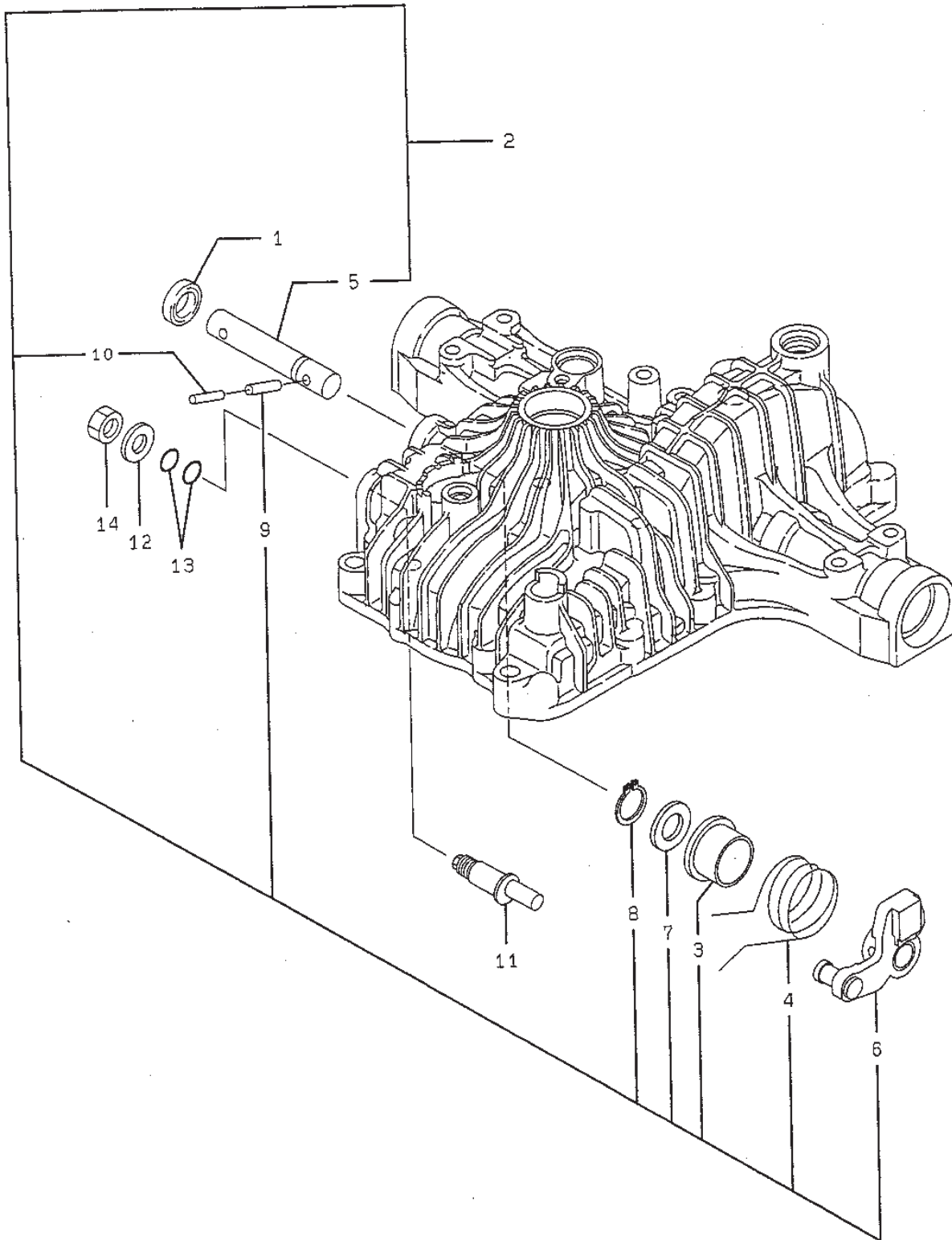
Utgåva Issue 48 - 2014		Transmission			
Pos. Fig.	Antal Quantity	Art nr Part No	Benämning	Description	Anmärkning Notes
1	1	1139-1170-01	Hus	Housing	/K62E/K66B/
2	1	1139-1005-01	Axiallager	Thrust Bearing	/K62E/K66B/
3	1	1139-1139-01	Cylinderblock Kpl	Cylinder Block Assy	Inkl. pos 4 - 7/K62E/ K66B/
8	1	1139-1160-01	Bricka	Washer	/K62E/K66B/
9	1	1139-1182-01	Motoraxel	Motor Shaft	/K62E/K66B/
10	1	1139-1021-01	Lasring	Snap Ring	/K62E/K66B/
11	1	1139-1183-01	Lasring	E-Ring	/K62E/K66B/
12	1	1139-1215-01	Motordrev	Motor Gear	K66B
12	1	1139-1216-01	Motordrev	Motor Gear	K62E
13	1	1139-1287-01	Kullager	Ball Bearing	/K62E/K66B/



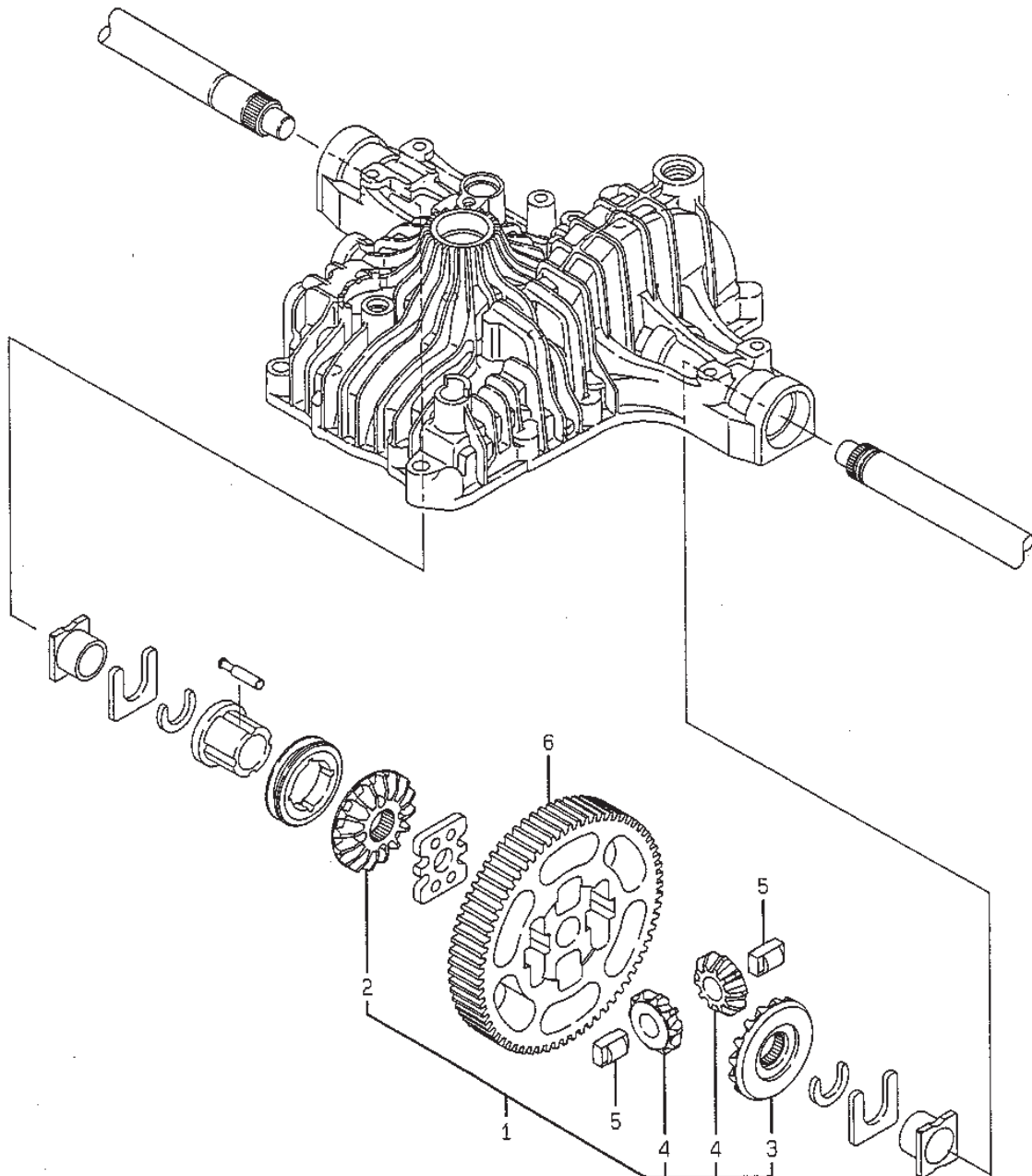
Utgåva Issue 48 - 2014		Transmission			
Pos. Fig.	Antal Quantity	Art nr Part No	Benämning	Description	Anmärkning Notes
1	1	1139-1184-01	Pumphus Kpl	Pump Case Sub Assy	Inkl. pos 2 - 18/K66B
2	1	1139-1153-01	Ventil Kpl	Valve Cmp	Inkl. pos 3 - 5/K66B
3	1	1139-1152-01	Plugg	Plug	/K66B
6	1	1139-1154-01	Ventil Kpl	Valve Cmp	Inkl. pos 7 - 9/K66B
7	1	1139-1152-01	Plugg	Plug	/K66B
10	1	1139-1234-01	Ventil	Check Cmp	Inkl. pos 11 - 13/K66B
12	1	1139-1233-01	Hallare	Holder	/K66B
13	1	1139-1288-01	Kula	Ball	/K66B
14	1	1139-1185-01	Pumphus Kpl	Pump Case Cmp	Inkl. pos 15 - 17/K66B
17	1	1139-1151-01	Yttre rotor	Outer rotor	/K66B
18	1	1139-1167-01	Plugg	Plug	/K66B
19	2	1139-1235-01	Anslutning	Connector	/K66B
20	2	1139-1168-01	Packning	Packing	/K66B
21	1	1139-1148-01	Stift	Pin	/K66B
22	2	1139-0239-01	Packning	Packing	/K66B
23	2	1139-1291-01	Bult	Bolt	/K66B



Utgåva Issue 48 - 2014		Transmission			
Pos. Fig.	Antal Quantity	Art nr Part No	Benämning	Description	Anmärkning Notes
1	2	1139-1022-01	Tryckplatta	Metal Thrust	
2	1	1139-1187-01	Stänkplatta	Swash Plate Cmp	Inkl. pos 3 - 4/K62E/ K66B/
5	1	1139-1024-01	Lager	Bearing	/K62E/K66B/
6	1	1139-1145-01	Tryckbricka	Thrust Plate	/K62E/K66B/
7	1	1139-1026-01	Tryckplatta	Thrust Plate	/K62E/K66B/
8	1	1139-1028-01	Fjäder	Spring	/K62E/K66B/
9	1	1139-1188-01	By-Passaxel	By-Pass Shaft	/K62E/K66B/
10	1	1139-1189-01	Arm	By-Pass Lever	/K62E/K66B/
11	1	1139-1161-01	Lasring	Ring	/K62E/K66B/
12	1	1139-1280-01	Stift	Pin	/K62E/K66B/
13	2	1139-1117-01	O-Ring	O-Ring	

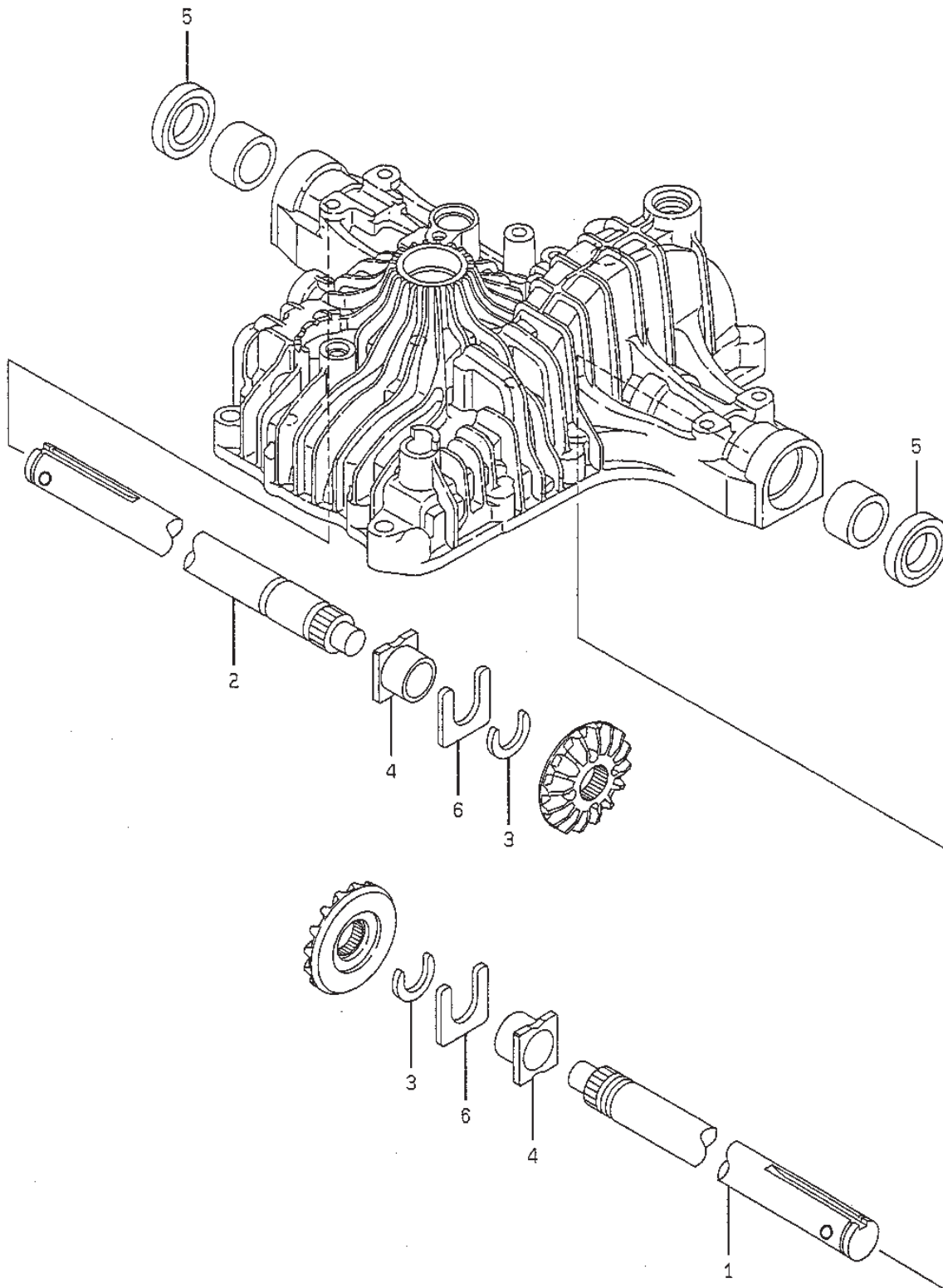


Utgåva Issue 48 - 2014		Transmission			
Pos. Fig.	Antal Quantity	Art nr Part No	Benämning	Description	Anmärkning Notes
1	1	1139-1165-01	Tätningring	Seal Ring	/K62E/K66B/
2	1	1139-1191-01	Regleraxel Kpl	Control Shaft Cmp	Inkl. pos 3 - 10/K62E/ K66B/
8	1	1139-1278-01	Lasring	Ring	/K62E/K66B/
11	1	1139-1190-01	Vridcentrum	Fulcrum (Eccentricity)	/K62E/K66B/
12	1	1139-1102-01	Bricka	Washer	/K62E/K66B/
13	2	1139-1115-01	O-Ring	O-Ring	
14	1	1139-1127-01	Mutter	Nut	/K62E/K66B/

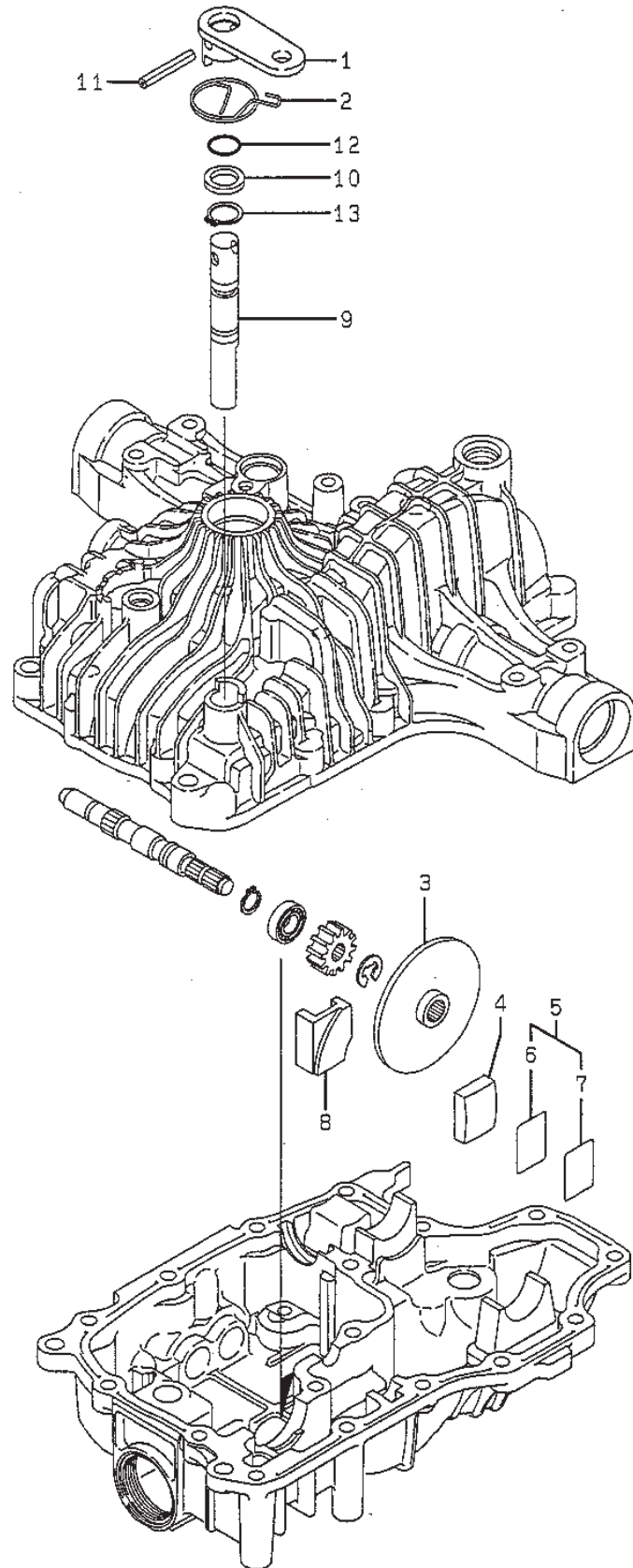


Utgåva Issue 48 - 2014		Transmission			
Pos. Fig.	Antal Quantity	Art nr Part No	Benämning	Description	Anmärkning Notes
1	1	1139-1201-01	Differentialdrevsats	Diff.Gear Kit	Inkl. pos 2 - 4/K62E/ K66B/
4	2	1139-1202-01	Drev	Diff.Pinion	
5	2	1139-1203-01	Stift	Pin	
6	1	1139-1208-01	Slutdrev	Final Gear	/K62E/K66B/

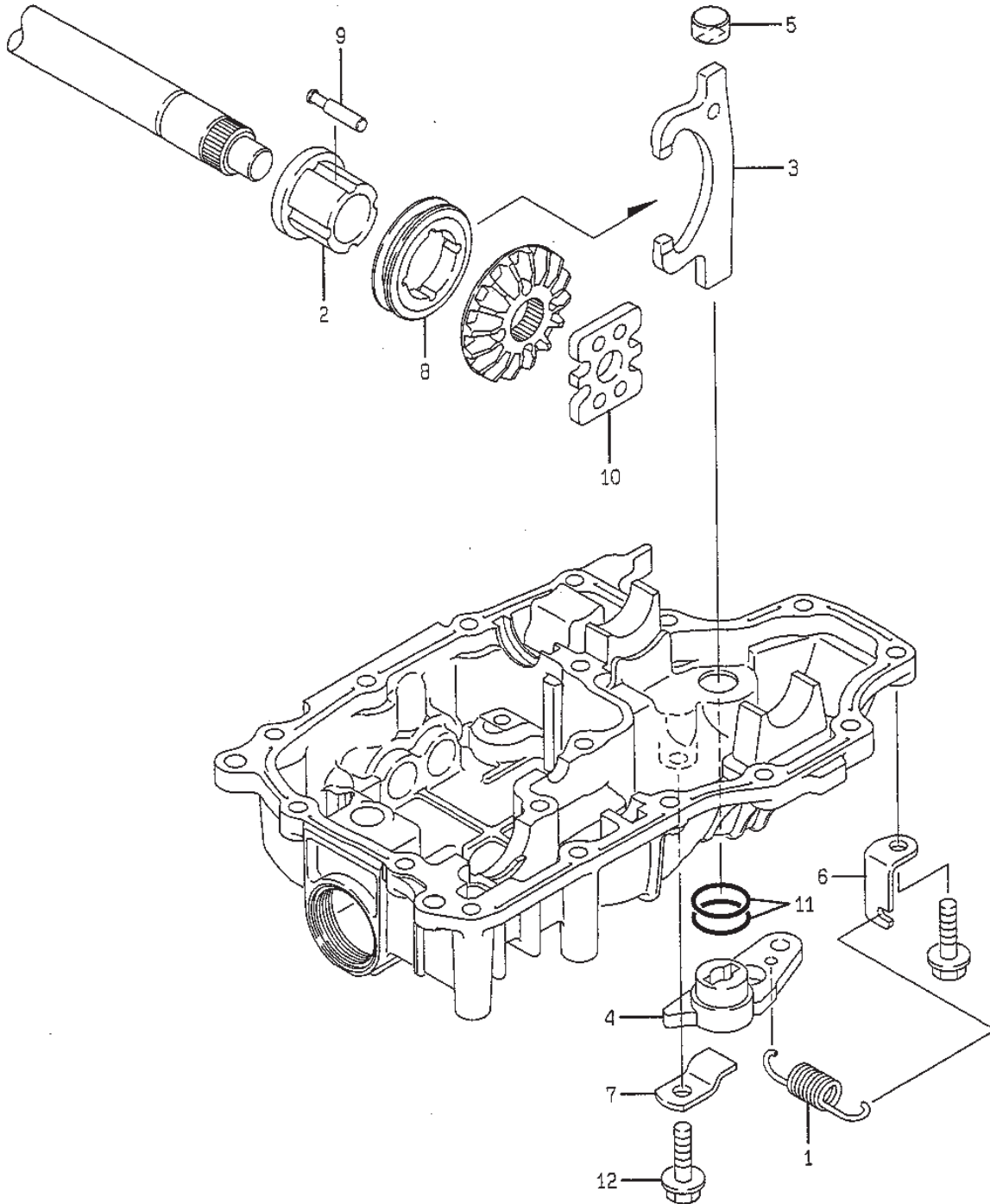
Utgåva Issue 48 - 2014		Transmission			
Pos. Fig.	Antal Quantity	Art nr Part No	Benämning	Description	Anmärkning Notes
1	1	1139-1192-01	Axel	Shaft (Final P)	/K66B
2	2	1139-1193-01	Bricka	Washer	/K66B
3	2	1139-1204-01	Nallager	Needle Bearing	/K66B
4	1	1139-1205-01	Hylsa	Collar	/K66B
5	1	1139-1206-01	Reduktionsdrev	Reduction Gear	/K66B
6	1	1139-1209-01	Drev	Final Pinion	/K66B



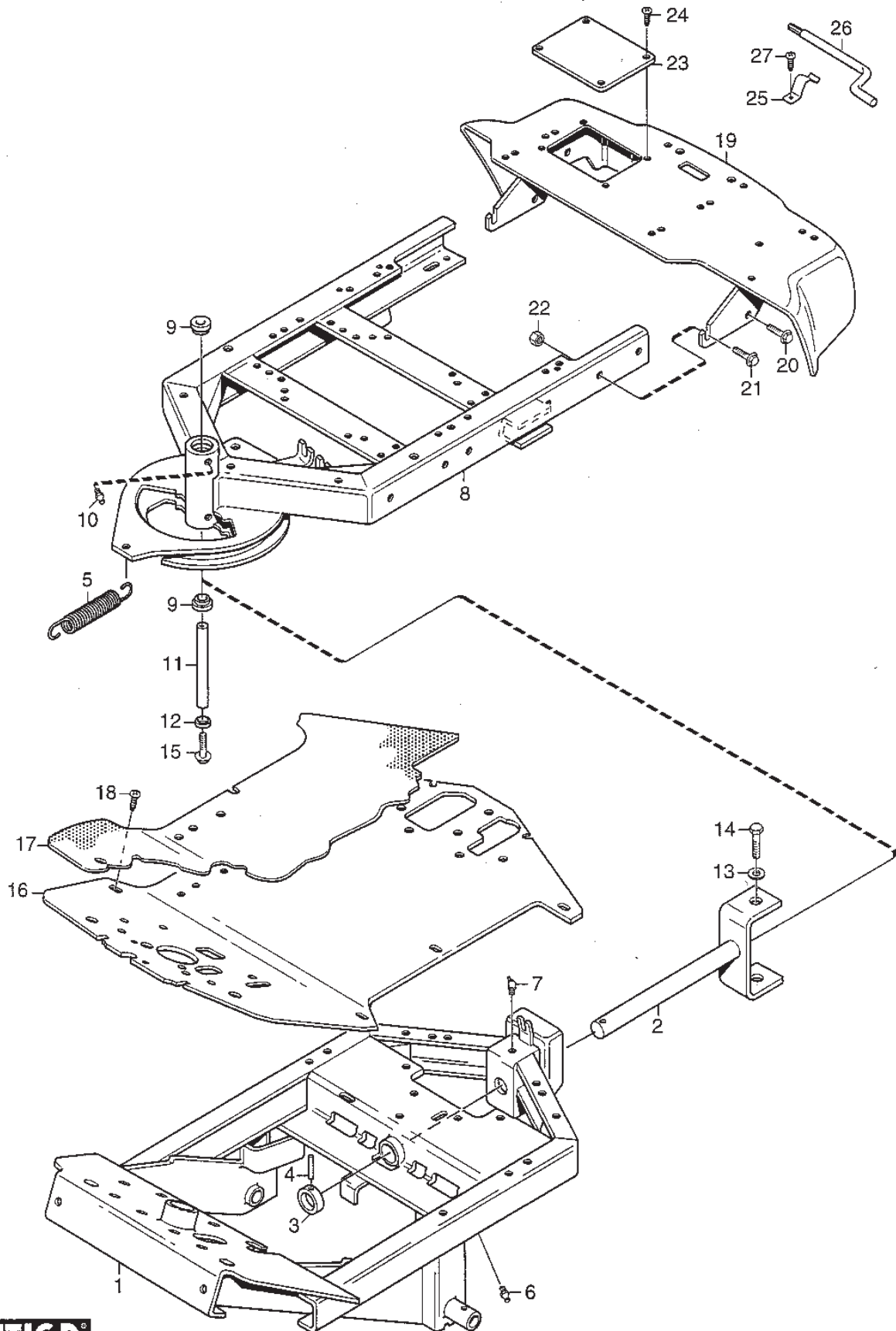
Utgåva Issue 48 - 2014		Transmission			
Pos. Fig.	Antal Quantity	Art nr Part No	Benämning	Description	Anmärkning Notes
1	1	1139-1225-01	Hjulaxel Vä	Axle Shaft Left	/K62E/K66B/
2	1	1139-1226-01	Hjulaxel Hö	Axle Shaft Right	/K62E/K66B/
3	2	1139-1155-01	Lasring	Ring	
4	2	1139-1156-01	Bussning	Bushing	
5	2	1139-1044-01	Tätning	Seal 25.4*42*8	
6	2	1139-1194-01	Bricka	Thrust Washer	



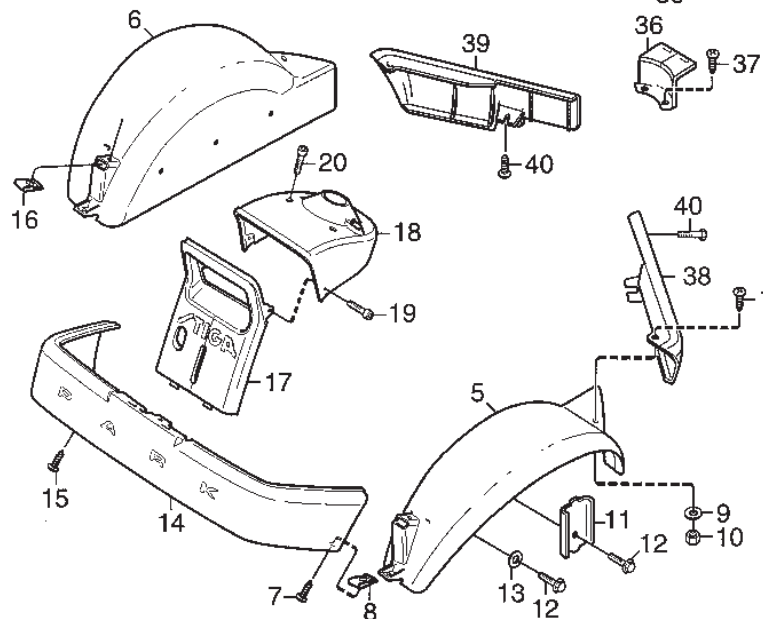
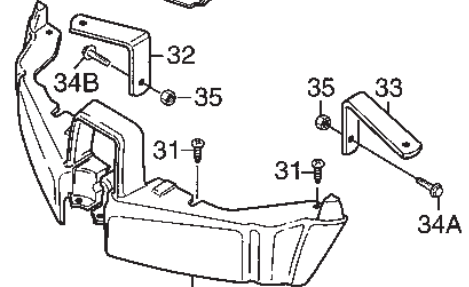
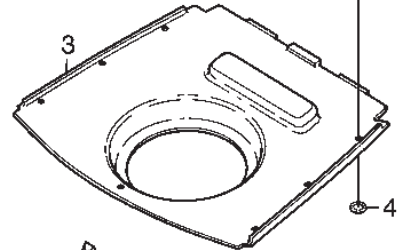
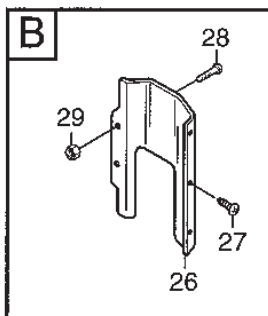
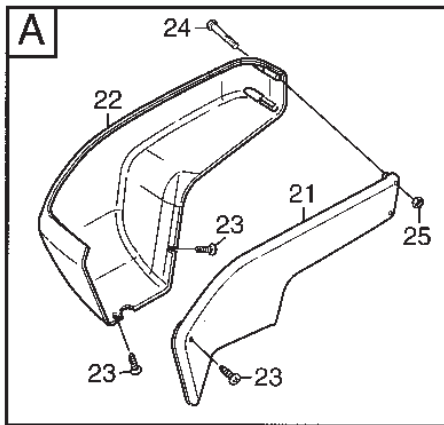
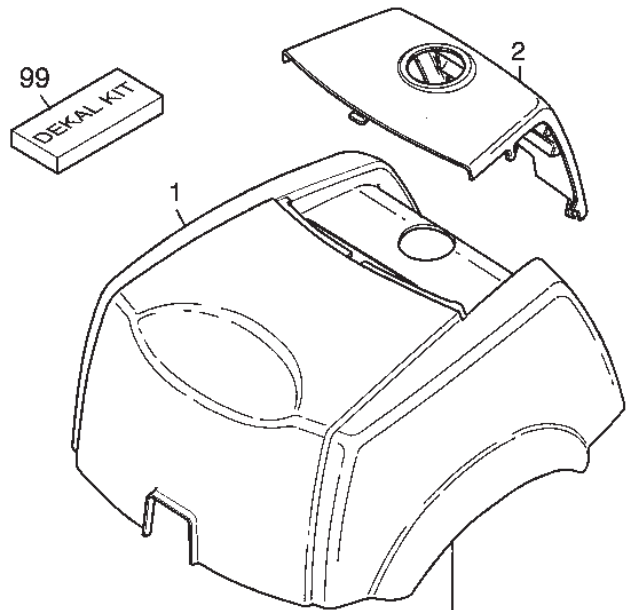
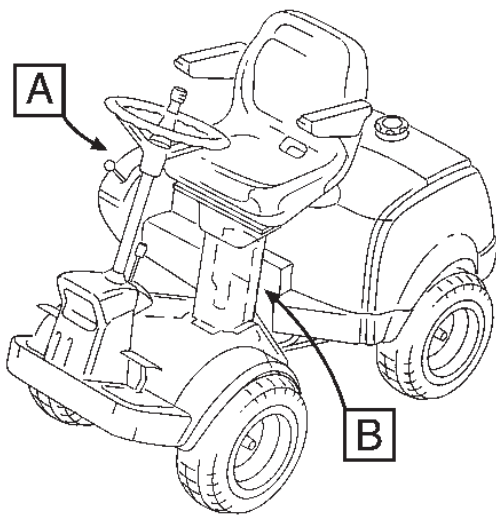
Utgåva Issue 48 - 2014		Transmission			
Pos. Fig.	Antal Quantity	Art nr Part No	Benämning	Description	Anmärkning Notes
1	1	1139-1227-01	Bromsarm	Brake Arm	/K62E/K66B/
2	1	1139-1228-01	Returfjäder	Return Spring	/K62E/K66B/
3	1	1139-1195-01	Bromsskiva	Brake Disc	/K62E/K66B/
4	1	1139-1196-01	Bromssko	Brake Shoe	/K62E/K66B/
5	1	1139-1198-01	Shimssats	Shim Set	Inkl. pos 6 - 7/K62E/ K66B/
8	1	1139-1200-01	Tryckplatta	Brake Actuator	/K62E/K66B/
9	1	1139-1197-01	Bromsaxel	Brake Shaft	/K62E/K66B/
10	1	1139-1199-01	Bricka	Washer	/K62E/K66B/
11	1	1139-1285-01	Stift	Pin	/K62E/K66B/
12	1	1139-1114-01	O-Ring	O-Ring	/K62E/K66B/
13	1	1139-1278-01	Lasring	Ring	/K62E/K66B/



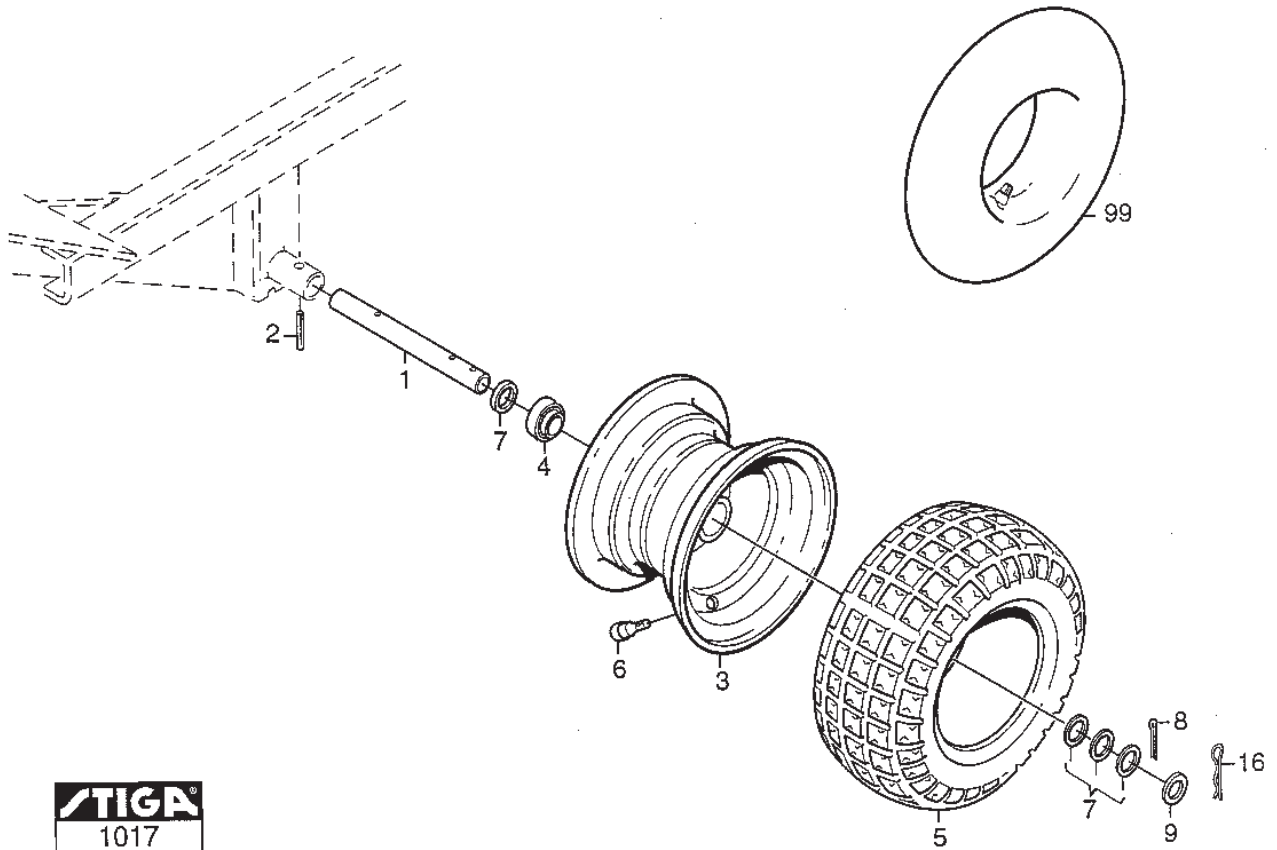
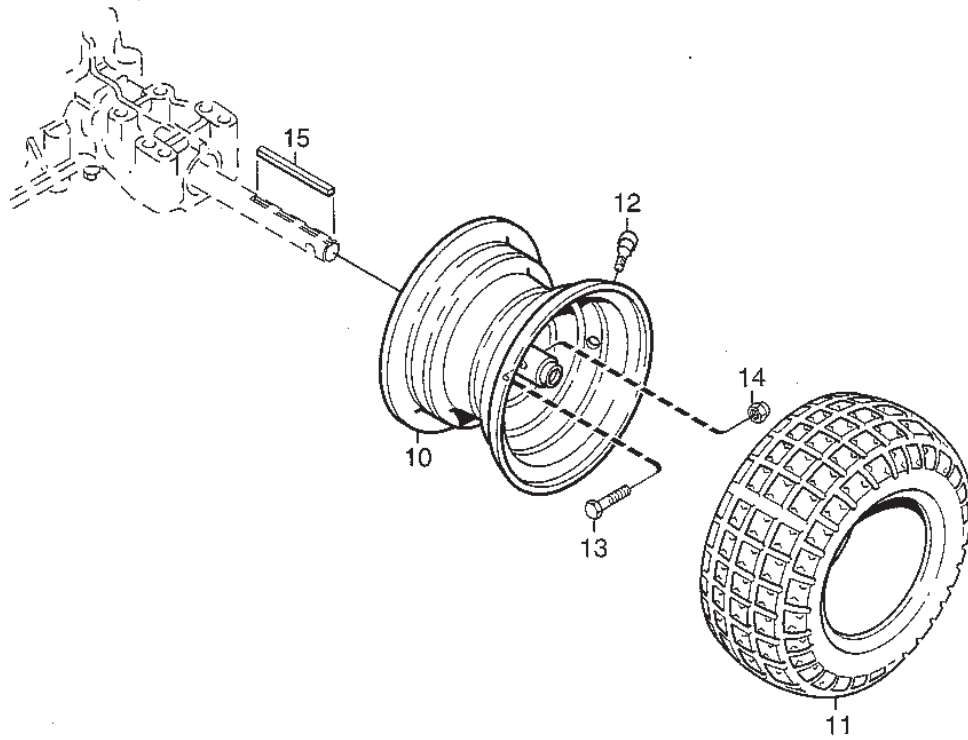
Utgåva Issue 48 - 2014		Transmission			
Pos. Fig.	Antal Quantity	Art nr Part No	Benämning	Description	Anmärkning Notes
1	1	1139-1144-01	Returfjäder	Return Spring	/K62E/K66B/
2	1	1139-1213-01	Hylsa	Collar	/K62E/K66B/
3	1	1139-1217-01	Diffspärrsgaffel	Diff.Lock Fork	/K62E/K66B/
4	1	1139-1218-01	Diffspärrsarm	Diff.Lock Arm	/K62E/K66B/
5	1	1139-1219-01	Pivothylsa	Diff.Lock Pivot	/K62E/K66B/
6	1	1139-1220-01	Fjäderkrok	Spring Hook	/K62E/K66B/
7	1	1139-1221-01	Fästplatta	Arm Hold Plate	/K62E/K66B/
8	1	1139-1222-01	Glidhylsa	Diff.Lock Slider	/K62E/K66B/
9	4	1139-1223-01	Stift	Diff.Lock Pin	
10	1	1139-1224-01	Diffspärrsplatta	Diff.Lock Plate	/K62E/K66B/
11	2	1139-1289-01	Packning	Packing	
12	1	1139-0244-01	Skruv	Screw	/K62E/K66B/



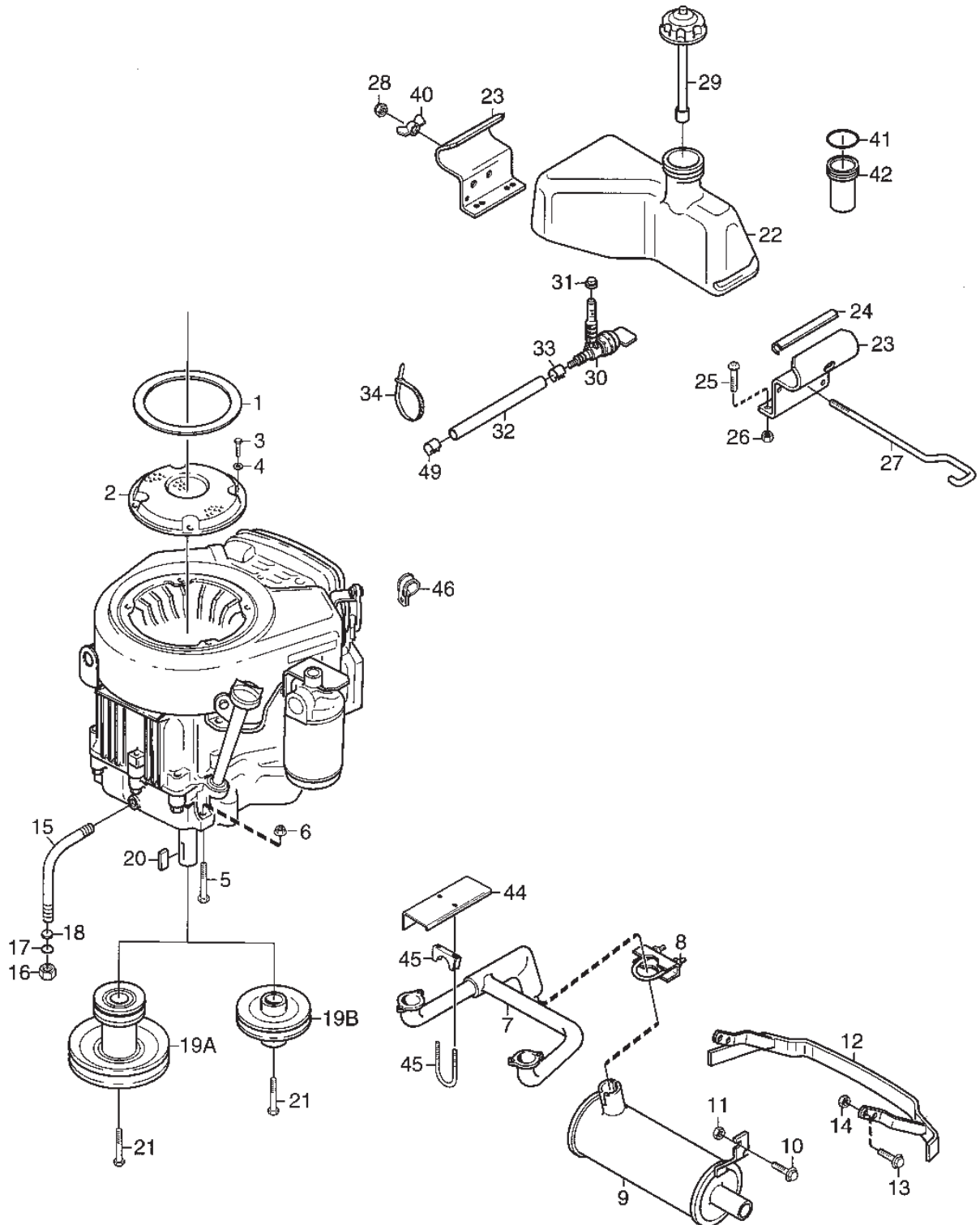
Utgåva Issue 48 - 2014					
Pos. Fig.	Antal Quantity	Art nr Part No	Benämning	Description	Anmärkning Notes
1	1	1134-3919-01	Ram-främre	Frame-front	
2	1	1134-3963-02	Midjegaffel Service 5-01 H10	Fork	
3	1	1134-0031-00	Ledaxelstopp Ledaxelstopp	Pivot Shaft Stop	
4	1	9595-0262-00	Spännstift	Locating Pin Elastic Pin	
5	1	1134-2171-01	Fjäder	Spring	
6	1	9501-0500-00	Smörjkopp Kort Rak	Grease Dispenser	
7	1	9501-0502-00	Smörjnippel	Grease Joint	
8	1	1134-3966-01	Ram Bakre 01	Frame-Rear	
9	2	9547-0001-00	Ledlager Ge17Es	Bearing	
10	2	9501-0500-00	Smörjkopp Kort Rak	Grease Dispenser	
11	1	1134-3968-01	Centrumaxel	Centre Shaft	
12	1	1134-0052-00	Distans	Spacer	
13	1	9699-0035-02	Bricka	Washer	
14	1	9959-1020-16	Skruv	Screw	
15	1	9959-1025-16	Skruv	Screw	
16	1	1134-3965-01	Durk	Floor Plate	
17	1	1134-4061-01	Durkmatta Hst	Floor Mat	
18	2	9893-0616-16	Skruv Relä	Screw Relay	
19	1	1134-4060-01	Stötfangare, Grå	Bumper, Grey	
19	1	1134-4060-01	Stötfangare, Grå	Bumper, Grey	
20	2	9945-0816-16	Skruv	Screw	
21	2	9959-0820-16	Skruv	Screw	
22	2	9739-0831-22	Mutter	Nut	
23	1	1134-4167-01	Lucka	Cover	
24	4	9840-8009-16	Skruv	Screw	
25	3	1134-4457-01	Clips	Clips	
25	2	1134-4457-01	Clips	Clips	
26	1	1134-4215-01	Sexkantsnyckel	Hex Wrench	
27	3	9840-8009-16	Skruv	Screw	
27	2	9840-8009-16	Skruv	Screw	



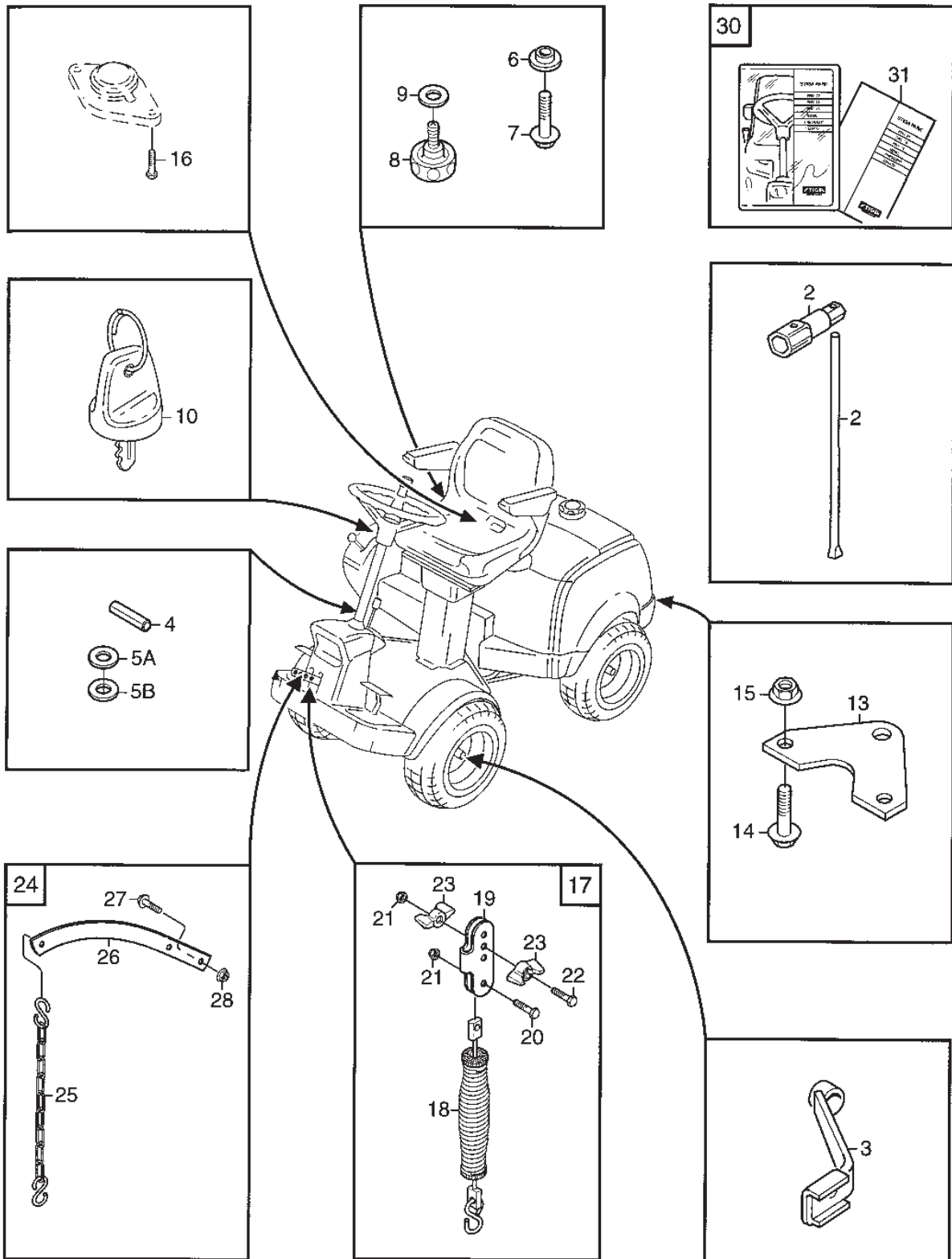
Utgåva Issue 48 - 2014		Chassi	Chassis		
Pos. Fig.	Antal Quantity	Art nr Part No	Benämning	Description	Anmärkning Notes
1	1	1134-3942-01	Huv	Engine Hood	
2	1	1134-3971-01	Motorlucka-Gra Stiga	Engine Cover-Grey	
3	1	1134-3978-01	Luftkanalplatta	Air Duct Plate	
4	7	9675-0008-02	Starlockbricka	Starlock	
5	1	1134-3943-01	Skärm Vänster	Mud Guard-Left	
6	1	1134-3943-02	Skärm Höger	Mud Guard-Right	
7	4	9893-0616-16	Skruv Relä	Screw Relay	
8	2	1134-4176-01	Clips	Clips	
9	2	9699-0025-02	Bricka	Washer	
10	2	9747-0631-02	Mutter Lasmutter	Nut	
11	2	1134-0225-00	Stödplat	Support Plate	
12	6	9945-0816-16	Skruv	Screw	
13	4	9699-0056-02	Bricka	Washer	
14	1	1134-4220-02	Stötfangare-Fram	Front Bumper	
15	6	9893-0616-16	Skruv Relä	Screw Relay	
16	2	1134-4176-01	Clips	Clips	
17	1	1134-4216-02	Frontkonsol Med Tryck	Front Plate-Grey (W Hole)	Med hål/with hole
18	1	1134-3984-01	Frontdekor Överdel Gra	Upper Front Plate-Grey	
19	2	9840-8009-16	Skruv	Screw	
20	2	9946-0525-16	Skruv	Screw	
21	1	1134-4360-01	Kapa-Inre (1-00)	Cover-Inner	
22	1	1134-3979-01	Kapa Yttre1-00	Cover-Outer	
23	5	9946-0525-16	Skruv	Screw	
24	2	9950-0570-12	Skruv	Screw	
25	2	9747-0531-02	Mutter	Nut	
26	1	1134-4152-01	Skyddskapa 1-00 F12	Cover	
27	3	9893-0616-16	Skruv Relä	Screw Relay	
28	2	9893-0616-16	Skruv Relä	Screw Relay	
29	2	9739-0631-22	Mutter	Nut	
30	1	1134-3969-01	Spoiler Gra	Spoiler-Grey	
31	4	9893-0616-16	Skruv Relä	Screw Relay	
32	1	1134-4012-01	Stöd-Hö	Support, Right	
33	1	1134-4012-02	Stöd-Vä	Support, Left	
34	1	9959-0830-16	Skruv	Screw	L = 30 mm
34	1	9959-0820-16	Skruv	Screw	L = 20 mm
34	2	9959-0816-16	Skruv	Screw	L = 16 mm
35	2	9739-0831-22	Mutter	Nut	
36	1	1134-3985-01	Täcklock	Cover	
37	2	9893-0616-16	Skruv Relä	Screw Relay	
38	1	1134-3970-01	Kantlist Vänster Gra	Moulding Left-Grey	
39	1	1134-3970-02	Kantlist-Hö (Gra) 7-14	Moulding Right-Grey	
40	4	9893-0616-16	Skruv Relä	Screw Relay	
99	1	1134-4593-06	Dekalsats	Label Kit	Pro 20
99	1	1134-4593-05	Dekalsats	Label Kit	Pro 18



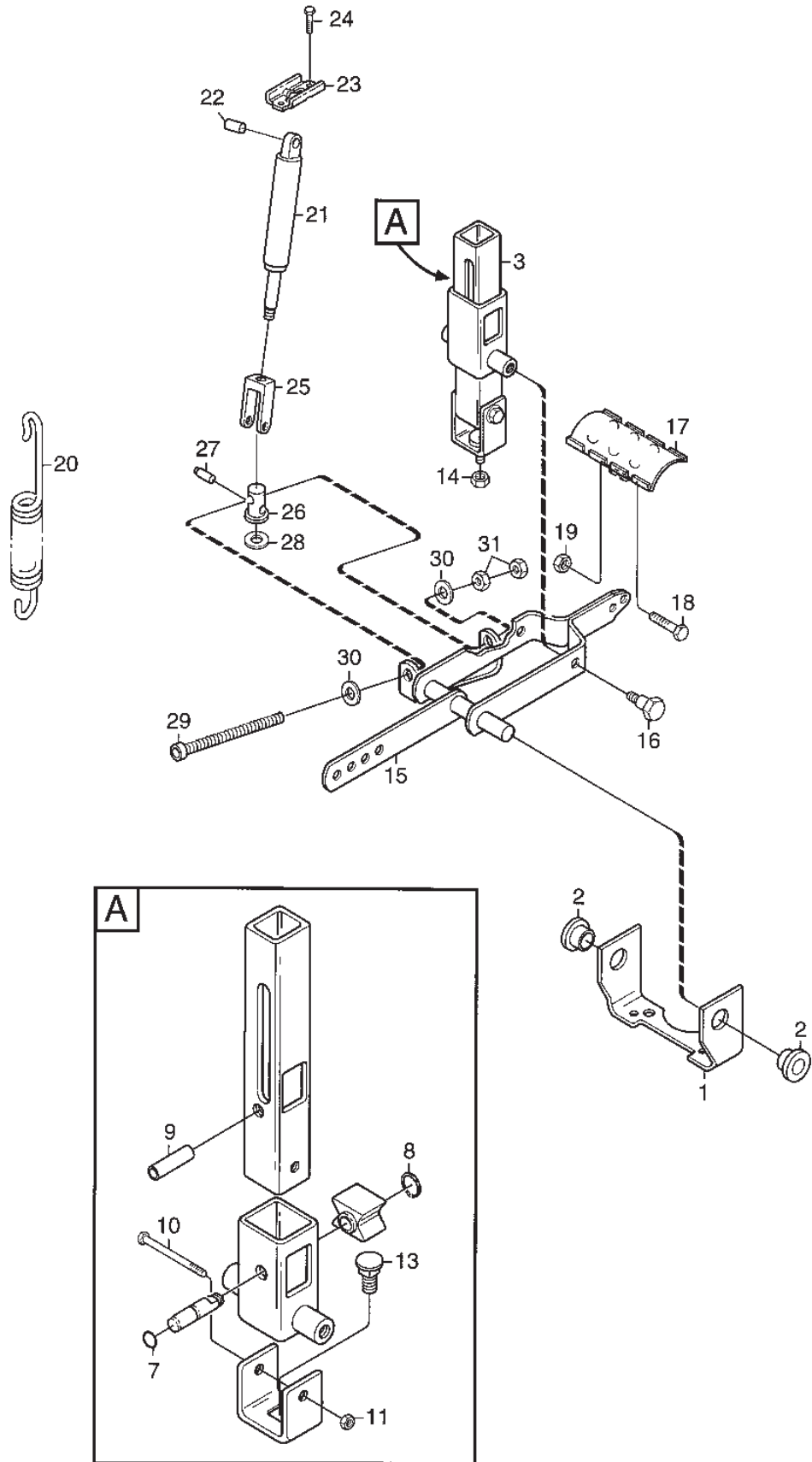
Utgåva Issue 48 - 2014		Hjul Wheels			
Pos. Fig.	Antal Quantity	Art nr Part No	Benämning	Description	Anmärkning Notes
1	2	1134-0075-01	Framaxeltapp	Front Axle	
2	2	9595-0258-00	Spännstift	Locating Pin	
3	2	1134-2888-02	Fälg M Kullager	Rim	
4	2	9549-0052-00	Kullager	Ball Bearing	
4	2	9549-0054-01	Kullager	Ball Bearing	
4	2	9549-0052-00	Kullager	Ball Bearing	
4	2	9549-0054-01	Kullager	Ball Bearing	
5	2	9545-0124-01	Däck	Tyre	17 x 8.00 - 8
6	2	9545-0500-00	Ventil	Valve Assy.	
7	8	1134-0341-01	Bricka	Washer	
8	2	9599-0080-02	SaxSprint Sp 4*28	Cotter Pin	
9	2	9699-0042-02	Bricka	Washer	
10	2	1134-3393-02	Fälg 7-13	Rim	
11	2	9545-0124-01	Däck	Tyre	17 x 8.00 - 8
12	2	9545-0500-00	Ventil	Valve Assy.	
13	2	9997-0845-12	Skruv	Screw	
14	2	9747-0831-02	Mutter Lasmutter	Nut	
15	2	1134-3383-01	Kil	Key	
16	2	9598-0003-02	Harnålssprint (Hns 4 Dubbel)	Spring Pin	
99	1	9545-0203-00	Innerslang	Inner Tube	Reservdel/spare part



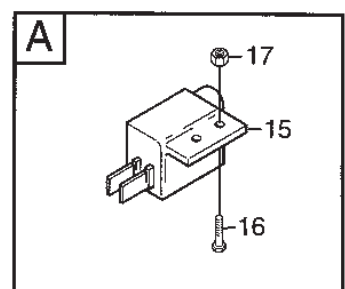
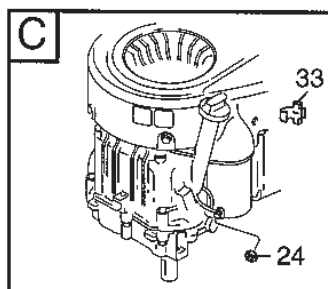
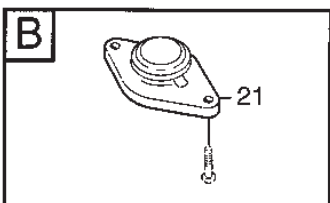
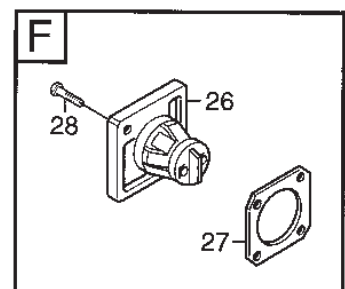
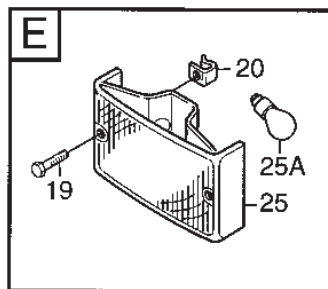
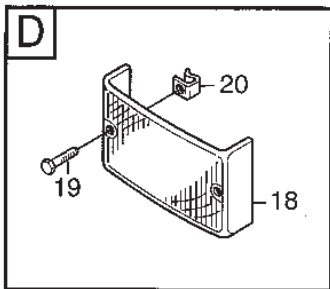
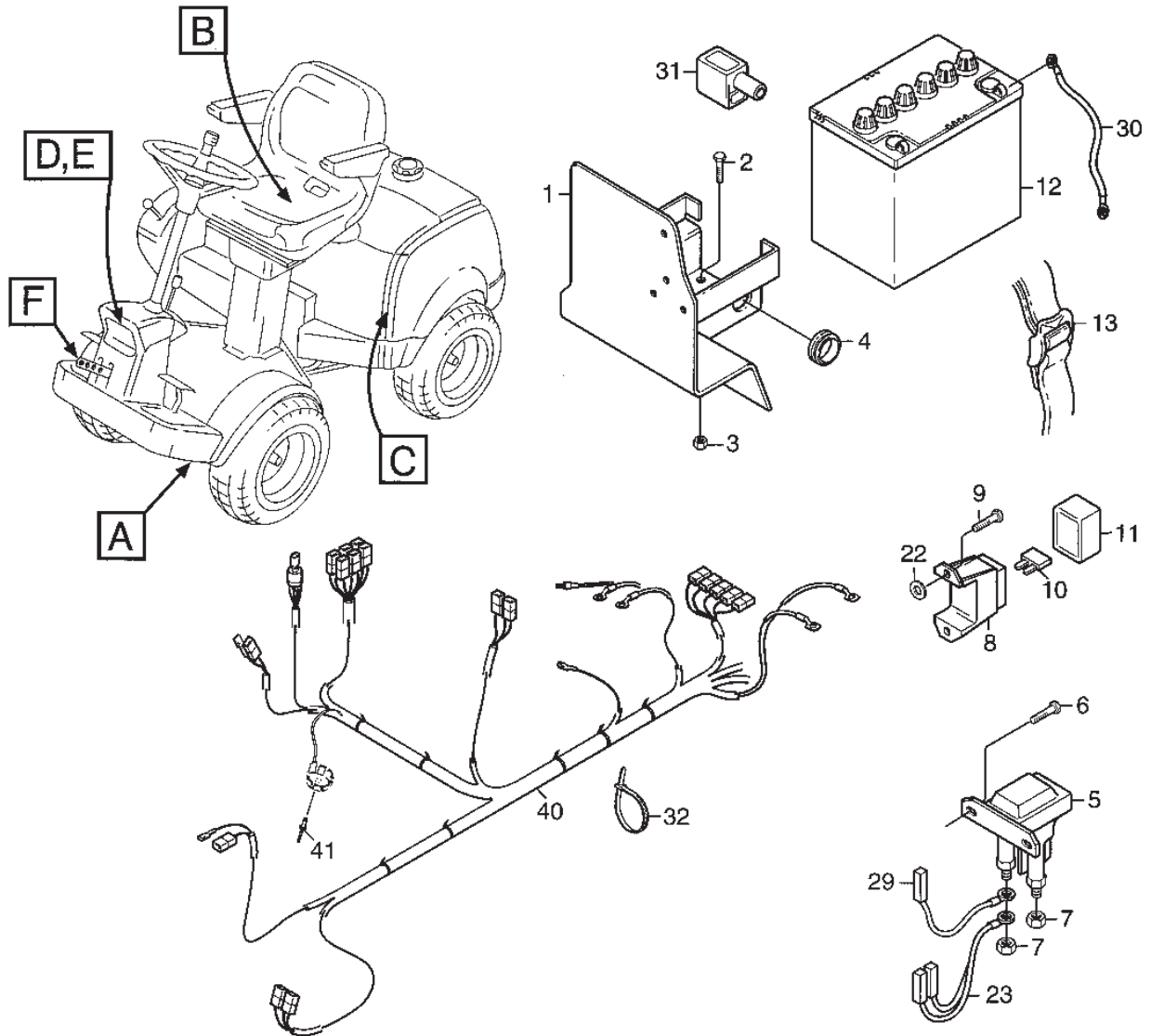
Utgåva Issue 48 - 2014		Motor	Engine		
Pos. Fig.	Antal Quantity	Art nr Part No	Benämning	Description	Anmärkning Notes
1	1	1134-4222-01	Tätningring	Seal Ring (5 Mm)	H = 5 mm
2	1	1134-2878-01	Fläktskydd	Fan Cover	
3	4	9997-0512-16	Skruv	Screw	
4	4	9699-0099-02	Bricka	Washer	
5	4	9997-0840-16	Skruv	Screw	
6	4	9739-0831-22	Mutter	Nut	
7	1	1134-4031-01	Avgasrör Kpl (VanSkydd)	Exhaust Pipe	
8	1	9578-0011-00	Klämma F Ljuddämp D35 Rid	Clamp	
9	1	1134-3244-01	Ljuddämpare	Silencer	
10	1	9959-0820-16	Skruv	Screw	
11	1	9739-0831-22	Mutter	Nut	
12	1	1134-4046-01	Berör.Skydd Kpl	Muffler Guard, Grey	
13	4	9959-0820-16	Skruv	Screw	
14	4	9739-0831-22	Mutter	Nut	
15	1	1134-4736-01	Oljeavtappningsrör Kpl	Oil Drain Pipe Assy	
16	1	1134-0995-01	Plugg	Plug	
17	1	9404-0020-00	O-Ring 11,3 X 2,4	O-ring	
18	1	1134-0997-01	Packning	Gasket	
19	1	1134-3664-01	Remskiva	Engine Pulley	
20	1	9600-0251-00	Kil	Key	L = 0.75" (19 mm)
21	1	9987-5357-12	Skruv	Screw	
22	1	1134-4757-02	Bränsletank Kpl (Med Mätare)	Fuel Tank Assy (W.Gauge)	Inkl. 29-33, 41-42
23	2	1134-4273-01	Tankfäste	Fuel Tank Bracket	
24	2	1134-2941-01	Kantskyddslip S	Protection Strip	
25	4	9959-0612-16	Skruv	Screw	
26	4	9747-0631-02	Mutter Lasmutter	Nut	
27	1	1134-4356-01	Lasstång (M8)	Tank Rod (M8)	
28	1	9747-0831-02	Mutter Lasmutter	Nut	
29	1	1134-4064-01	Tanklock	Fuel Cap	
30	1	1134-3224-01	Bensinkran	Fuel Shut-Off Valve	
31	1	1134-3225-01	Gummibussning Gummibussning	Grommet	
32	1	1134-2975-04	Bränsleslang	Fuel Line	L = 710 mm
33	1	9578-0023-02	Slangklämma D12*8 (Svart) Rörklammer	Hose Clamp Tube Clamp	
34	1	9579-0003-00	Buntband	Cable Holder	
40	1	1134-4481-01	Vingmutter	Wing Nut	
41	1	9404-0025-01	O-Ring 69,44X3,53 Viton	O-ring	
42	1	1134-4411-01	Insatsrör Tank	Fuel Tank Insert	
44	2	1134-4595-01	Värmskydd	Heat Guard	
45	2	9578-0026-01	Klämma Kpl. D25 Avgasrör	Clamp	
46	1	1134-0994-02	Rörklammer	Tube Clamp	
49	1	9578-0023-02	Slangklämma D12*8 (Svart) Rörklammer	Hose Clamp Tube Clamp	



Utgåva Issue 48 - 2014		Monteringsdetaljer Assembly parts			
Pos. Fig.	Antal Quantity	Art nr Part No	Benämning	Description	Anmärkning Notes
0	1	1134-4249-01	Tillbehörspåse	Accessory Bag	
2	1	1111-9029-02	Tändstiftsnyckel (5/8" + 21Mm)	Spark Plug Wrench (5/8 + 21Mm)	5/8" (16 mm)/21 mm
3	2	1134-3710-01	Fäste Kpl 5-01 15	Attachment For Accessories	
4	1	9595-0262-00	Spännstift	Locating Pin Elastic Pin	
5	1	9699-0114-02	Bricka	Washer	1.0 mm
5	1	9699-0103-02	Bricka	Washer	0.5 mm
6	2	1134-4185-01	Ansatsbricka	Flange Washer	
7	2	9959-0820-16	Skruv	Screw	
8	2	1134-2609-01	Lasratt	Locking Knob	
9	2	9699-0062-02	Bricka	Washer	
10	2	1134-4734-01	Tändningsnyckel	Ignition Key	
13	1	1134-4003-01	Dragplatta 24	Towing Plate	
14	2	9959-0820-16	Skruv	Screw	
15	2	9739-0831-22	Mutter	Nut	
16	2	9837-8914-12	Skruv	Screw	Anv. till 6112, 6113
24	1	1134-4688-01	Tillbehörspåse	Accessory Bag	
25	1	1134-4621-01	Kedja	Chain	
26	1	1134-4570-01	Lyftarm 5-01F15	Lift Arm	
27	2	9959-1020-16	Skruv	Screw	
28	2	9739-1031-22	Mutter	Nut	
30	1	1134-3771-50	Mapp m. trycksaker	Folder W. Manuals	
31	1	8211-0209-08	Säkerhetsföreskrifter	Safety regulations	
31	1	8211-0276-02	Bruksanv Park	Manual Park	
31	1	8211-0277-02	Servicehäfte Park	Service Book Park	
31	1	8211-0278-02	Monteringsanvisning	Assembly Instruction Park	
31	1	8211-2002-03	Garantikort Rider	Warranty Card	

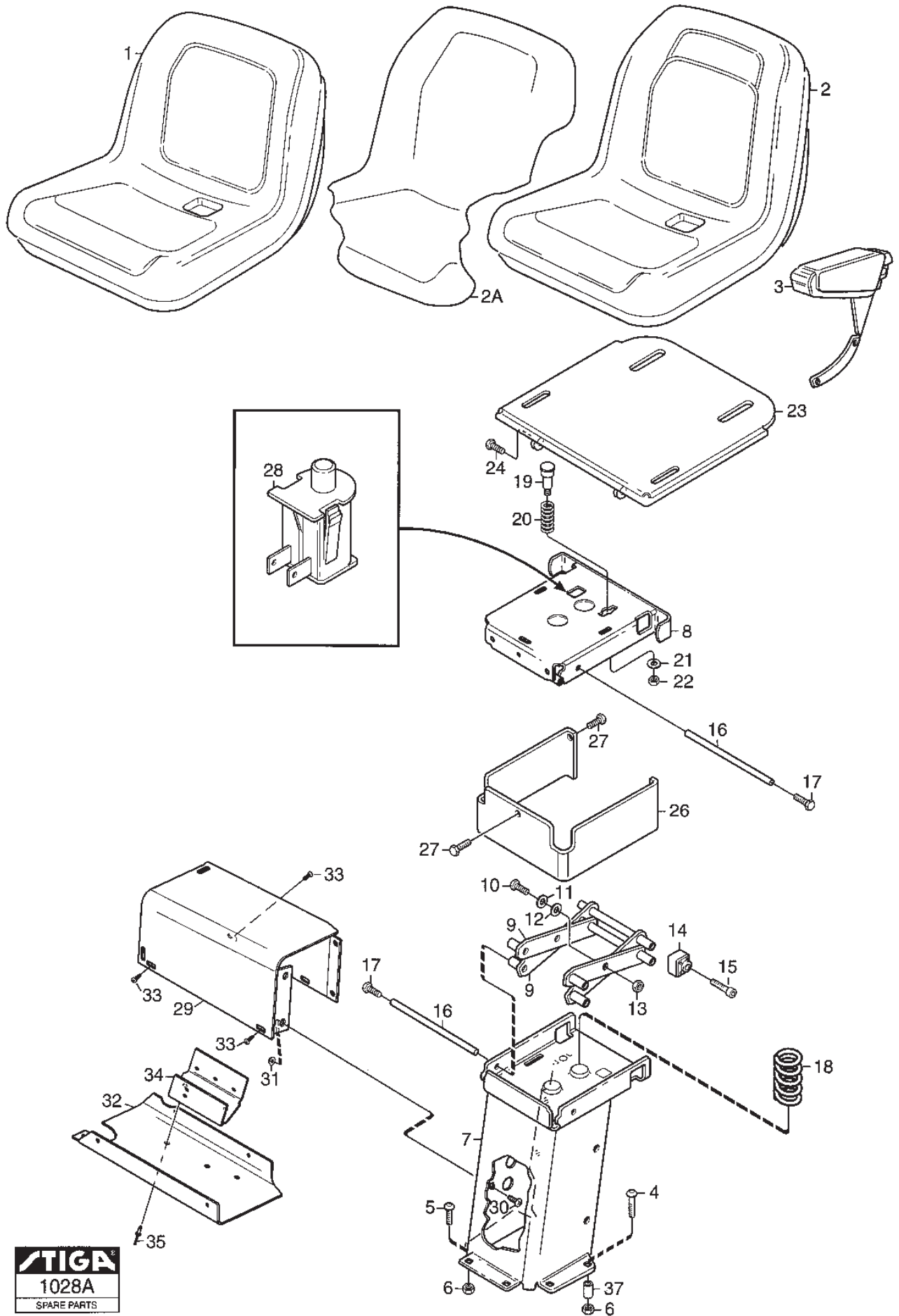


Utgåva Issue 48 - 2014		Lyftgaffel Pedal lift			
Pos. Fig.	Antal Quantity	Art nr Part No	Benämning	Description	Anmärkning Notes
1	1	1134-4117-01	Fäste	Bracket	
2	2	1134-2684-01	Lager	Bearing	
3	1	1134-4184-01	Lyftspärr Smst	Lift Catch Assy	
7	1	9404-0027-01	O-ring	O-ring	
8	1	9650-0039-04	Sparring Sga 8	Lock Ring	
9	1	9595-0276-01	Spiralspännstift 8*24	Locating Pin	
10	1	9997-0640-12	Skruv	Screw	
11	1	9747-0631-02	Mutter Lasmutter	Nut	
13	1	9897-0820-16	Skruv	Screw	
14	1	9747-0831-02	Mutter Lasmutter	Nut	
15	1	1134-4033-01	Lyftgaffel Kpl	Lift Fork	
16	2	1134-0240-00	Skruv	Screw	
17	1	1134-4098-01	Lyftpedal	Lift pedal	
18	2	9997-0620-16	Skruv	Screw	
19	2	9747-0631-02	Mutter Lasmutter	Nut	
21	1	1134-4151-01	Fjäder	Spring	
22	1	9591-0030-00	Stift	Pin	
23	1	1134-4088-01	Fäste	Bracket	
24	2	9893-0616-16	Skruv Relä	Screw Relay	
25	1	1134-4121-01	Gaffel	Fork	
26	1	1134-4122-01	Led	Joint Pin	
27	1	1134-4124-01	Axel	Pivot Pin	
28	1	1134-4139-01	Bricka	Washer	
29	1	9939-1014-06	Skruv	Screw	M10 x 140
30	2	1134-4140-01	Bricka	Washer	
31	2	9787-1031-32	Mutter	Nut	



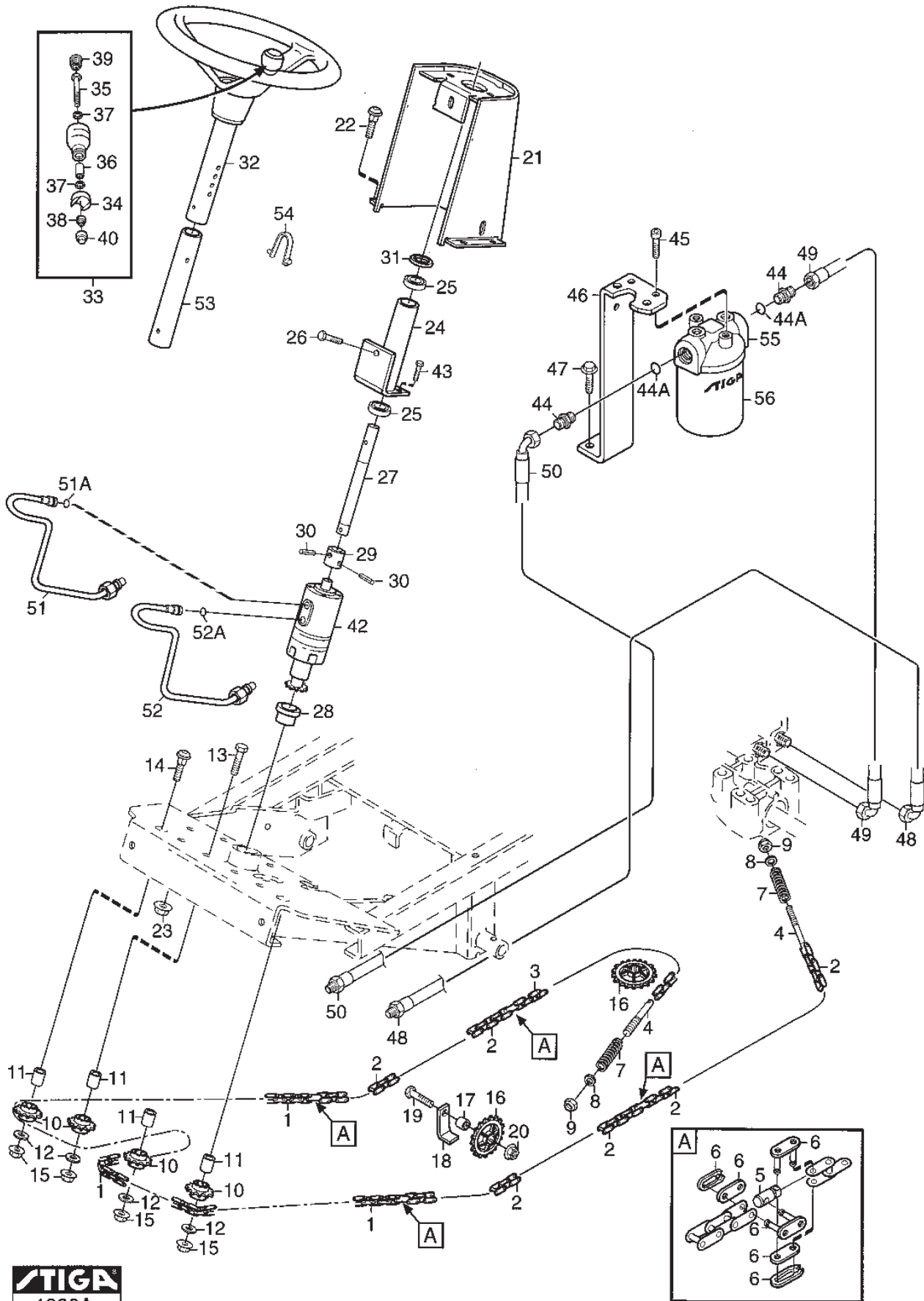
STIGA
1029B
SPARE PARTS

Utgåva Issue 48 - 2014		Elsystem Electric equipment			
Pos. Fig.	Antal Quantity	Art nr Part No	Benämning	Description	Anmärkning Notes
1	1	1134-4025-01	Batterihylla	Battery Shelf	
2	2	9959-0612-16	Skruv	Screw	
3	2	9747-0631-02	Mutter Lasmutter	Nut	
4	2	1134-3203-01	Kabelgenomföring	Grommet	
5	1	1134-2962-01	Solenoid Kpl Service	Solenoid	Inkl. pos 7
6	2	9849-8006-16	Skruv	Screw	
7	2	9794-5131-02	Mutter	Nut	
8	1	1134-3491-01	Säkringshallare	Fuse Carrier Fuse Holder	
9	2	9849-8013-16	Skruv	Screw	
10	2	1134-3496-05	Säkring (15A)	Fuse (15A)	15A
10	2	1134-3496-01	Säkring (10A)	Fuse (10A)	10A
11	1	1134-3631-01	Lock (5-01) Lock	Cover-Fuse Holder	
12	1	1134-2892-01	Batteri	Battery	
13	1	9400-0064-02	Batterihallare	Battery Holder	
15	1	1134-3399-01	Brytare	Switch	
16	2	9997-0520-16	Skruv	Screw	
17	2	9747-0531-02	Mutter	Nut	
19	2	9849-7819-16	Skruv	Screw	
20	2	1134-4177-01	Clips	Clips	
22	2	1134-3144-01	Distans	Spacer	
23	1	1134-4267-01	Kablage	Lead	
24	1	9795-3531-02	Mutter	Nut	
25	1	9400-0293-01	Glödlampa	Bulb	12V - 21W
25	1	1134-4172-01	Stralkastare	Headlamp	
26	1	1134-4056-01	Honkontakt Selv 12 V Dc 42-101-42	Female Terminal	
27	1	1134-4052-01	Bricka	Washer	
28	2	9840-7716-16	Skruv	Screw	
29	1	1134-4268-01	Kabel	Lift Arm	
30	1	1134-0234-02	Batterikabel (+)	Battery Cable (+)	
31	1	1134-2310-01	Batteriskydd	Guard Cap (+)	
32	15	9579-0003-00	Buntband	Cable Holder	6218, 6221 - 20 st.
33	2	9400-0231-00	Kabelskarv	Splicer	
40	1	1134-4266-01	Kablage(Pro20)	Harness (Pro 18-20)	13-6218, 13-6221
40	1	1134-4208-01	Kablage	Harness	13-6216
41	1	9632-0522-00	Popnit 4X9,5	Pop Rivet	

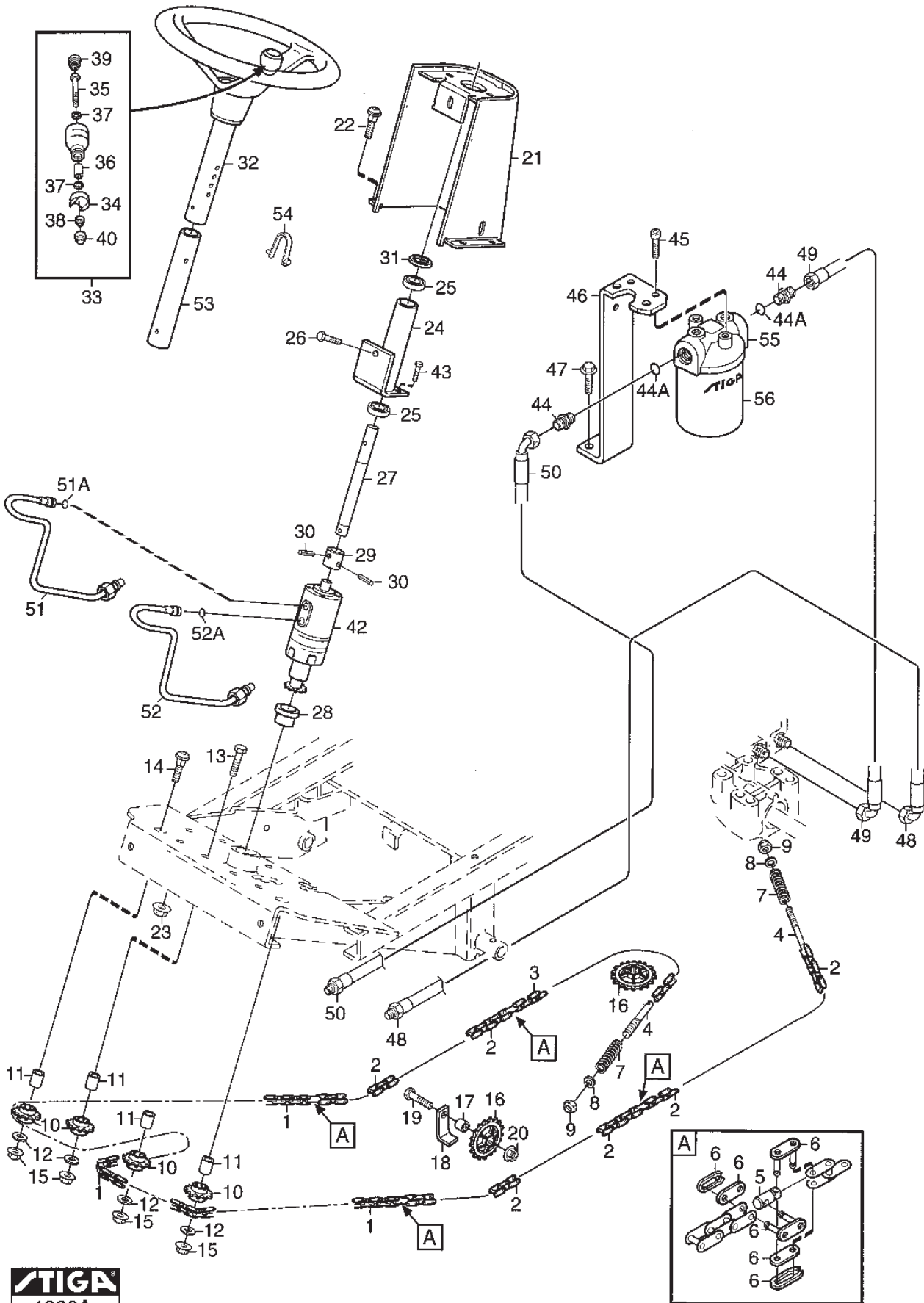


STIGA
1028A
SPARE PARTS

Utgåva Issue 48 - 2014		Sits Seat			
Pos. Fig.	Antal Quantity	Art nr Part No	Benämning	Description	Anmärkning Notes
2	1	8290-9014-01	Sitsöverdrag/Värmedyna	Seat Cover	Tillbehör/Accessory
2	1	1134-4224-01	Sits (Xb180)	Seat	
2	1	13-0903-11	Sits	Seat	
3	1	1134-4225-01	Armstöd (för Xb180, Xb150)	Arm Rest	
3	1	13-0904-11	Armstöd	Arm rest	
4	2	9897-0880-12	Skruv	Screw	L = 80 mm
5	4	9897-0820-16	Skruv	Screw	L = 20 mm
6	6	9747-0831-02	Mutter Lasmutter	Nut	
7	1	1134-4085-01	Sitskonsol Kpl. 02	Seat Bracket	
8	1	1134-4144-01	Övre Platta Kpl 5-01 F12	Upper Seat Plate	
9	2	1134-4083-01	Länkarm Kpl.	Pivot Link	
10	2	1134-0240-00	Skruv	Screw	
11	2	9699-0069-02	Bricka	Washer	
12	2	9665-0002-00	Bricka	Washer	
13	2	9747-0831-02	Mutter Lasmutter	Nut	
14	4	1134-4084-01	Glidsko	Slide Block	
15	4	9939-0816-16	Skruv	Screw	
16	2	1134-4082-03	Axel	Shaft	
17	4	9959-0816-16	Skruv	Screw	
18	2	1134-4160-01	Fjäder	Spring	
19	1	1134-4153-01	TryckSprint	Push Pin	
20	1	1134-4159-01	Fjäder	Spring	
21	1	9699-0056-02	Bricka	Washer	
22	1	9739-0831-22	Mutter	Nut	
23	1	1134-4213-01	Glidplatta Kpl 5-01 L 02	Slide Plate	
24	2	1134-0240-00	Skruv	Screw	
26	1	1134-4142-01	Svep	Cover	
27	3	9840-8009-16	Skruv	Screw	
28	1	1134-3156-01	Brytare	Switch	
29	1	1134-3990-01	Armsvep Kpl 041-00	Attachment-Side Panel	
30	2	9897-0820-16	Skruv	Screw	
31	2	9739-0831-22	Mutter	Nut	
32	1	1134-4130-01	Undre Lock (1-00)	Cover Lower	
33	4	9840-8009-16	Skruv	Screw	
34	1	1134-4135-01	Relähallare 24	Relay Holder	
35	2	9632-0522-00	Popnit 4X9,5	Pop Rivet	
37	2	1134-1565-08	Distans	Spacer	

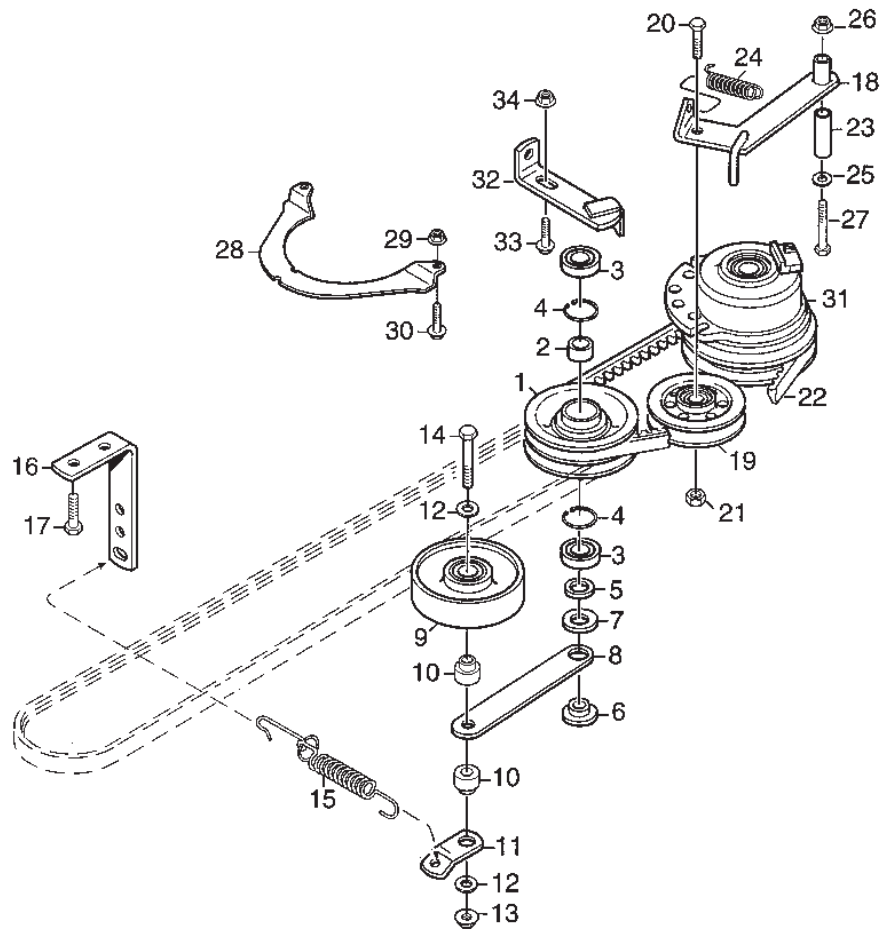


Utgåva Issue 48 - 2014		Styrning Steering			
Pos. Fig.	Antal Quantity	Art nr Part No	Benämning	Description	Anmärkning Notes
1	1	1134-2820-06	Kedja	Chain	83 länk
2	3	1134-2820-02	Kedja	Chain	41 länk
3	1	1134-2820-04	Kedja	Chain	45 länk
4	2	1134-3550-01	Ändnippel (L110)	End Nipple	
5	4	1134-3565-01	Skarvnippel	Connection Nipple	
6	10	1134-2824-01	Kedjelas	Chain Lock	
7	2	1134-3817-01	Fjäder	Spring	
8	2	9699-0090-02	Bricka	Washer	
9	2	9747-0831-02	Mutter Lasmutter	Nut	
10	4	1134-2816-01	Kedjehjul	Sprocket	
11	4	1134-0041-02	Bussning	Bushing	
12	4	9699-0035-02	Bricka	Washer	
13	2	9997-1050-16	Skruv	Screw	
14	2	9897-1040-12	Skruv	Screw	
15	4	9739-1031-22	Mutter	Nut	
16	3	1134-3547-01	Kedjehjul	Sprocket	
17	2	1134-0041-01	Bussning	Bushing	
18	2	1134-3022-01	Fäste	Bracket	
19	2	9997-1030-16	Skruv	Screw	
20	2	9739-1031-22	Mutter	Nut	
21	1	1134-4120-01	Styrkonsol	Steering Console	
22	4	9897-0820-16	Skruv	Screw	
23	4	9739-0831-22	Mutter	Nut	
24	1	1134-4113-01	Rattrör Nedre Kpl 15	Steering Tube Lower	
25	2	9549-0017-00	Kullager	Ball Bearing	
26	1	9945-0816-16	Skruv	Screw	
27	1	1134-4087-01	Rattstang	Steering Rod	
28	1	1134-4114-01	Bussning	Bushing	
29	1	1134-4118-01	Koppling	Coupling	
30	2	9595-0256-01	Spännstift 6X28 Typ N Iso 8750 Spännstift	Locating Pin Elastic Pin	
31	1	9695-0011-00	Bricka	Washer	
32	1	1134-4261-01	Ratt	Steering Wheel	
33	1	1134-3769-01	Styrknopp Kpl Service	Steering Wheel Button Kit	
34	1	1134-3752-01	Knoppfäste	Knob Holder	
35	1	9997-0865-12	Skruv	Screw	
36	1	1134-1565-06	Distans	Spacer	
37	2	9699-0090-02	Bricka	Washer	
38	1	9747-0831-02	Mutter Lasmutter	Nut	
39	1	9403-0043-70	Plugg	Plug	
40	1	9403-0113-00	Ringmutter	Ring Nut	
42	1	1134-4157-01	Momentförstärkare	Steering Booster	
43	3	9939-0612-16	Skruv	Screw	
44	1	9404-0028-01	O-Ring 11,89 X 1,98	O-ring	
44	2	1134-4282-01	Överfall Hydraulnippel	Tube Connection Hydraulic Nipple	
45	2	9931-3516-16	Skruv	Screw	
46	1	1134-4271-01	Filterfäste	Filter Bracket	
47	2	9945-0816-16	Skruv	Screw	
48	1	1134-4228-01	Hydraulslang	Hydraulic Hose	L = 1400 mm

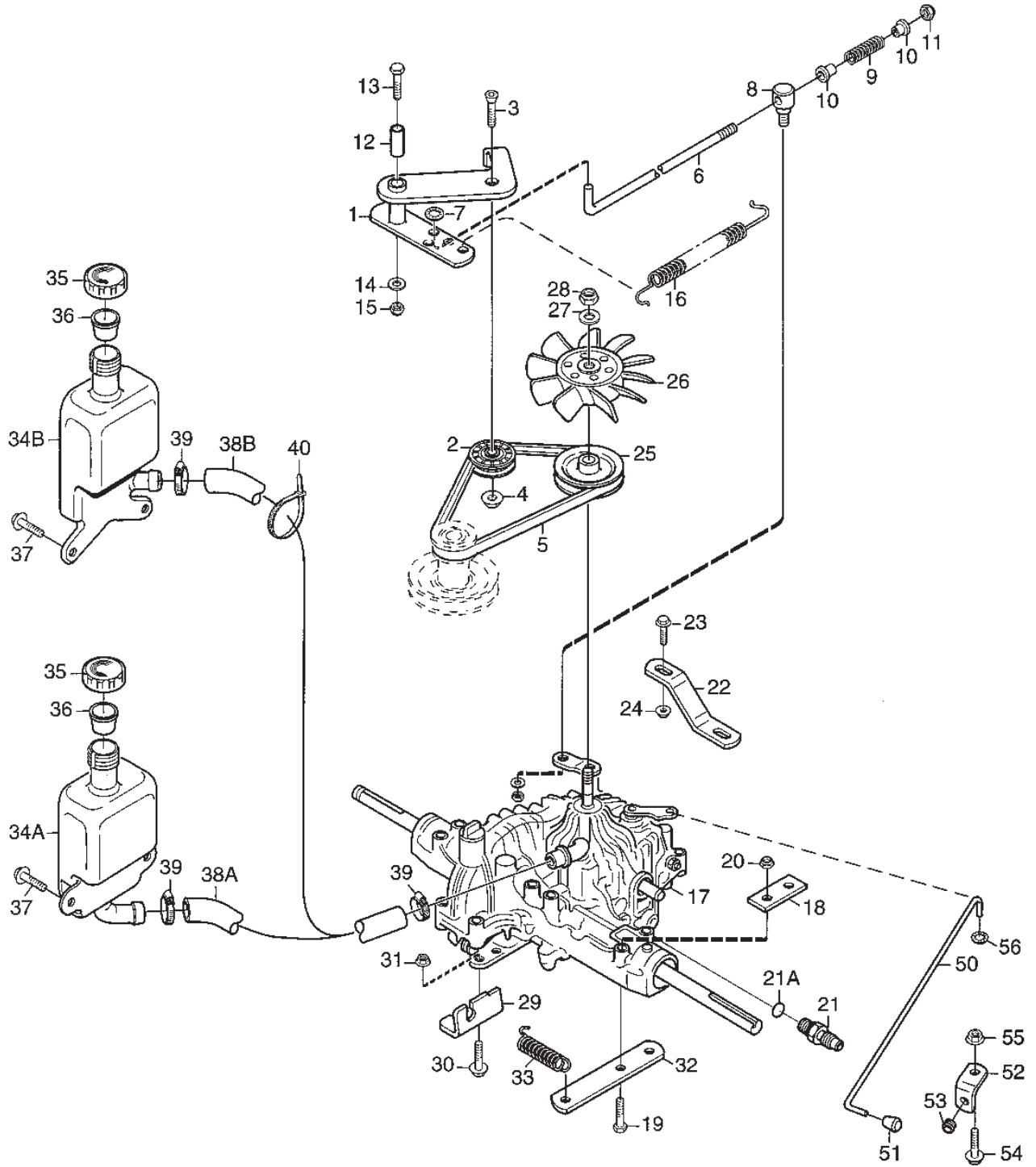


STIGA
1026A
SPARE PARTS

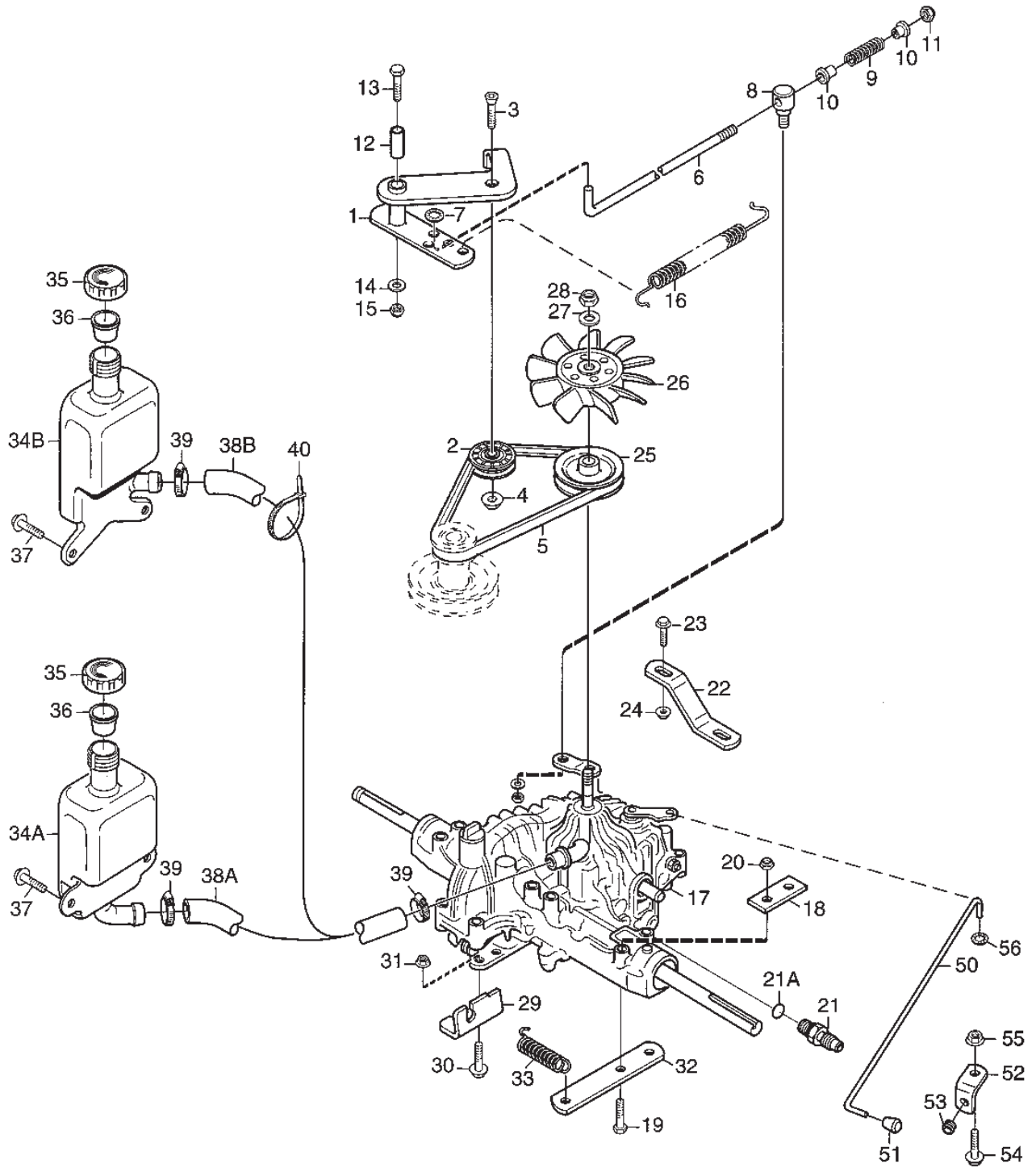
Utgåva Issue 48 - 2014		Styrning Steering			
Pos. Fig.	Antal Quantity	Art nr Part No	Benämning	Description	Anmärkning Notes
49	1	1134-4229-01	Hydraulslang	Hydraulic Hose	L = 615 mm
50	1	1134-4230-01	Hydraulslang	Hydraulic Hose	L = 1270 mm
51	1	9404-0026-01	O-Ring 10,82 X 1,78	O-ring	
51	1	1134-4180-01	Hydraulrör	Hydraulic Tube	
52	1	9404-0026-01	O-Ring 10,82 X 1,78	O-ring	
52	1	1134-4181-01	Hydraulrör	Hydraulic Tube	
53	1	1134-4218-01	Rattrör Inre Smst	Steering Tube Inner	
54	1	1134-4138-01	Spärr	Catch	
55	1	1134-4587-01	Oljefilter kpl Hydraulfilter Kpl	Oil Filter Ass.Y Hydraulic Filter Assy	
56	1	1134-4109-01	Oljefilter	Oil Filter	



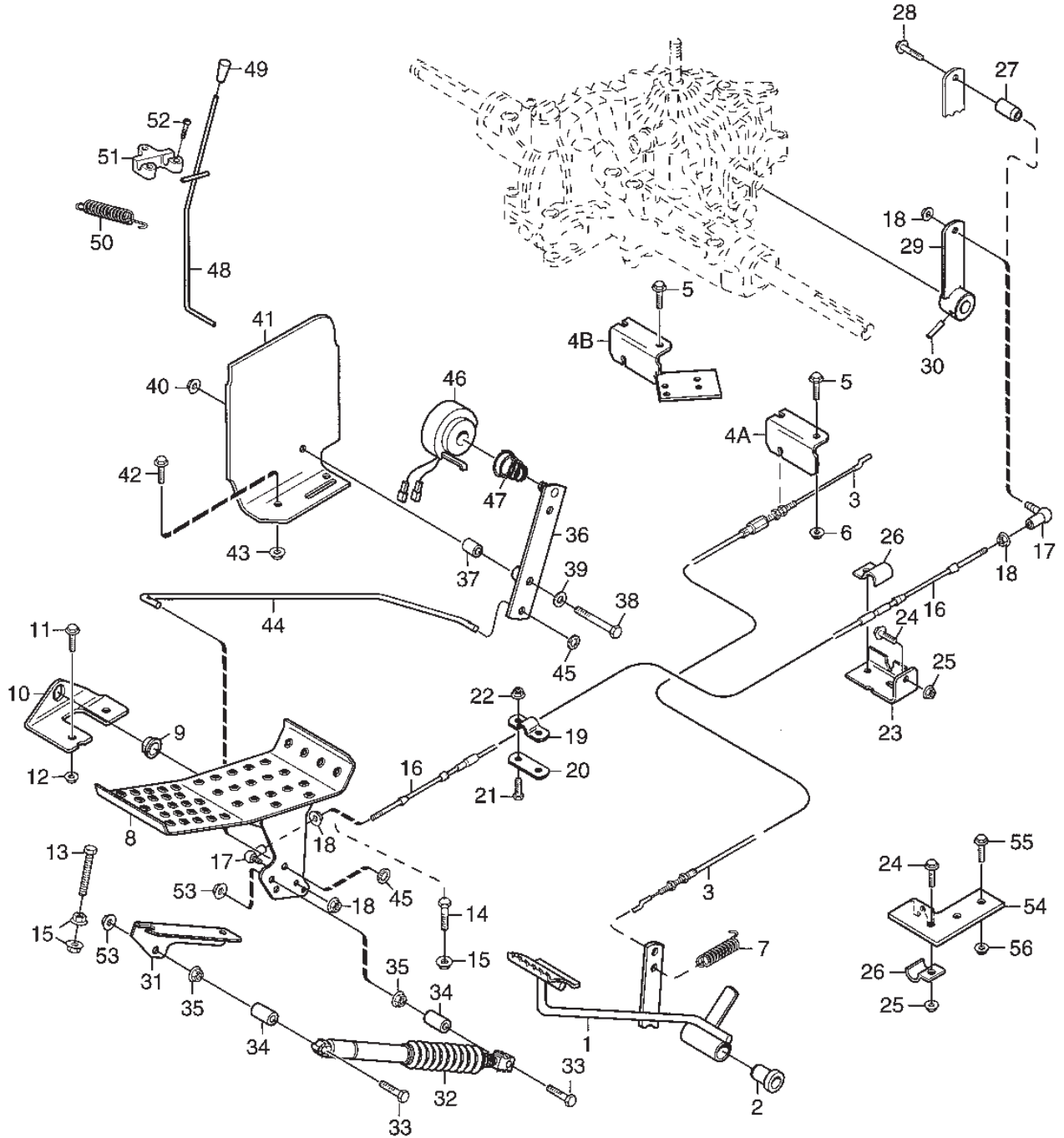
Utgåva Issue 48 - 2014					
Pos. Fig.	Antal Quantity	Art nr Part No	Benämning	Description	Anmärkning Notes
1	1	1134-1769-02	Remskiva	Belt Pulley	
2	1	1134-0051-09	Distans	Spacer	
3	2	9549-0019-00	Kullager	Ball Bearing	
4	2	9651-0040-04	Sparring Sgh 40	Circlip	
5	1	1134-0052-00	Distans	Spacer	
6	1	1134-0222-00	Bricka	Washer	
7	1	9699-0109-02	Bricka	Washer	
8	1	1134-1730-01	Spännhjul sarm	Tensioning Wheel Arm	
9	1	1134-1770-01	Spännhjul Kpl	Tension Roller	
10	2	1134-1888-01	Distans	Spacer	
11	1	1134-1893-01	Fjäder	Spring	
12	2	9699-0062-02	Bricka	Washer	
13	1	9739-0831-22	Mutter	Nut	
14	1	9997-0865-12	Skruv	Screw	
15	1	1134-1322-02	Fjäder	Spring	
16	1	1134-3959-01	Fjäder	Spring	
17	2	9945-0816-16	Skruv	Screw	
18	1	1134-3658-01	Spännarm	Tensioning Arm	
19	1	1134-3663-01	Remskiva	Tension Wheel	
20	1	9997-1040-12	Skruv	Screw	
21	1	9739-1031-22	Mutter	Nut	
22	1	1134-9047-01	Kilrem	V-Belt	= 9585-0088-00
23	1	1134-1565-01	Distans	Spacer	
24	1	1134-3379-01	Fjäder	Spring	
25	1	9699-0056-02	Bricka	Washer	
26	1	9739-0831-22	Mutter	Nut	
27	1	9997-0850-16	Skruv	Screw	
28	1	1134-3654-01	Fingerskydd 5-01 24	Guard	
29	2	9739-0631-22	Mutter	Nut	
30	2	9959-0612-16	Skruv	Screw	
31	1	1134-3638-01	Magnetkoppling	Electric Pto-Clutch	
32	1	1134-3712-01	Stödstag	Support Stay	
33	2	9959-0820-16	Skruv	Screw	
34	2	9739-0831-22	Mutter	Nut	



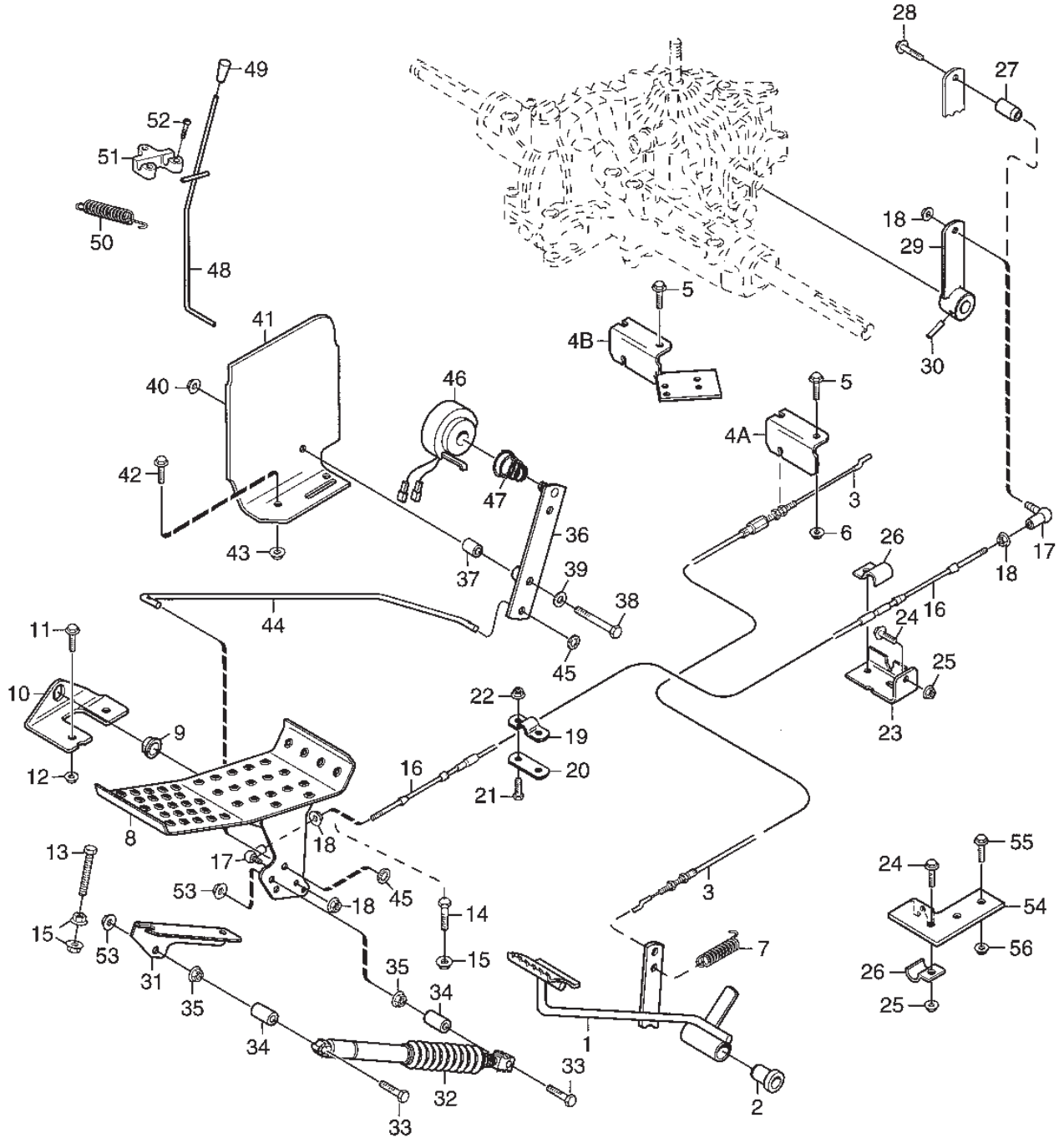
Utgåva Issue 48 - 2014		Transmission			
Pos. Fig.	Antal Quantity	Art nr Part No	Benämning	Description	Anmärkning Notes
1	1	1134-4000-01	Spännarm	Tension Arm	
2	1	1134-3459-01	Remskiva Spännrulle	Belt Pulley Tension Roller	
3	1	9924-1035-16	Skruv	Screw	
4	1	9799-1031-02	Mutter	Nut	
5	1	1134-9029-01	Kilrem	V-Belt	= 9585-0055-00
6	1	1134-3377-03	Reglagestang	Control Rod	
7	1	9675-0008-02	Starlockbricka	Starlock	
8	1	1134-4171-01	Ledtapp	Pivot Pin	
9	1	1134-4183-01	Fjäder	Spring	
10	2	1134-3456-01	Bussning	Bushing	
11	1	9747-0631-02	Mutter Lasmutter	Nut	
12	1	1134-1565-08	Distans	Spacer	
13	1	9997-0875-12	Skruv	Screw	
14	1	9699-0056-02	Bricka	Washer	
15	1	9747-0831-02	Mutter Lasmutter	Nut	
16	1	1134-3211-02	Fjäder	Spring	
17	1	1134-3995-01	Transaxel K66	Transaxle	Kanzaki K66B
18	2	1134-3376-01	Distansplåt	Spacer Plate	
19	4	9997-0875-12	Skruv	Screw	L = 75 mm
20	4	9747-0831-02	Mutter Lasmutter	Nut	
21	2	1134-4282-01	Överfall Hydraulnippel	Tube Connection Hydraulic Nipple	
21	1	9404-0028-01	O-Ring 11,89 X 1,98	O-ring	
22	1	1134-3913-01	Reaktionsstag 5-01 F24	Strut	
23	2	9959-0820-16	Skruv	Screw	
24	2	9747-0831-02	Mutter Lasmutter	Nut	
25	1	1134-4191-01	Remskiva	Belt Pulley	
26	1	1134-4190-01	Fläkt	Fan	
27	1	9699-0030-02	Bricka	Washer	
28	1	9747-1031-02	Mutter Lasmutter	Nut	
29	1	1134-3914-01	Vajerfäste 24	Cabel Holder	
30	1	9959-0820-16	Skruv	Screw	
31	1	9739-0831-22	Mutter	Nut	
32	1	1134-4049-01	Stag 24	Strut	
33	1	1134-4232-01	Fjäder	Spring	
34	1	1134-3998-01	Tank	Oil Tank	
34	1	1134-4758-01	Tank	Oil Tank	
35	1	1134-2777-02	Tanklock	Filler Cap	
36	1	1134-3734-01	Plugg (Service)	Vent Plug	
37	2	9945-0816-16	Skruv	Screw	
38	1	1134-4011-01	Slang (L400)	Oil Hose (L=400)	L = 400 mm
38	1	1134-4011-02	Slang (L380)	Oil Hose (L=380)	L = 380 mm
39	2	9578-0025-01	Slangklämma Dim 18-27 Gemi	Hose Clamp	
40	1	9579-0003-00	Buntband	Cable Holder	
50	1	1134-4015-01	Dragstang	Pull Rod	
51	1	1134-4014-01	Plastknopp	Knob	
52	1	1134-4713-01	Vinkelfäste	Angle Bracket	
53	1	1134-2790-01	Kabelgenomföring	Cable Protection	
54	1	9959-0816-16	Skruv	Screw	
55	1	9739-0831-22	Mutter	Nut	



Utgåva Issue 48 - 2014		Transmission			
Pos. Fig.	Antal Quantity	Art nr Part No	Benämning	Description	Anmärkning Notes
56	1	9675-0009-02	Starlockbricka	Starlock	



Utgåva Issue 48 - 2014		Fotreglage		Foot controls	
Pos. Fig.	Antal Quantity	Art nr Part No	Benämning	Description	Anmärkning Notes
1	1	1134-4247-01	Kopplingspedal Kpl	Clutch Pedal	
2	1	1134-9024-01	Lager (4 St)	Bearing	Sats 4 st/kit of 4
3	1	1134-3584-02	Wire	Brake/Clutch Cable	
4	1	1134-3906-01	Vajerfäste 24	Cabel Holder	
4	1	1134-4760-01	Fäste	Cable/Oil Hose Holder	
5	2	9959-0816-16	Skruv	Screw	
6	2	9739-0831-22	Mutter	Nut	
7	1	1134-3974-01	Fjäder	Spring	
8	1	1134-4008-01	Drivpedal	Drive Pedal	
9	2	1134-2780-01	Lager	Bearing	
10	2	1134-2700-01	Fäste	Bracket	
11	2	9959-0820-16	Skruv	Screw	
12	2	9739-0831-22	Mutter	Nut	
13	1	9997-0870-16	Skruv	Screw	
14	1	9959-0816-16	Skruv	Screw	
15	3	9739-0831-22	Mutter	Nut	
16	1	1134-2766-04	Reglagevajer	Speed Control Cable	
17	2	9570-0001-00	Vinkellänk As8 Din 71802M5 Länk	Elbow Link Joint	
18	4	9739-0531-22	Mutter	Nut	
19	1	1134-0266-00	Plat Fästbygel	Plate Attaching Clamp	
20	1	1134-0267-00	Plat Underläggsbleck	Plate Clamp Plate	
21	2	9997-0520-16	Skruv	Screw	
22	2	9739-0531-22	Mutter	Nut	
23	1	1134-3395-01	Fäste 24 (5-01)	Attachment	
24	2	9959-0820-16	Skruv	Screw	L = 20 mm
25	2	9739-0831-22	Mutter	Nut	
26	1	1134-2021-01	Växelwirefäste	Clamp	
29	1	1134-4042-01	ReglaVäxelm Kpl.	Control Lever	
30	1	9595-0258-00	Spännstift	Locating Pin	
31	1	1134-3996-01	Fäste	Bracket	
32	1	1134-4187-01	Dämpare	Absorber Damper	
33	2	9997-0840-16	Skruv	Screw	
34	2	1134-1565-09	Distans	Spacer	
35	2	9739-0831-22	Mutter	Nut	
36	1	1134-4017-01	Arm Kpl.	Lever, Cruise Control	
37	1	1134-1565-01	Distans	Spacer	
38	1	9997-0850-16	Skruv	Screw	
39	1	9699-0056-02	Bricka	Washer	
40	1	9739-0831-22	Mutter	Nut	
41	1	1134-4020-01	Plat Farth.	Plate-Cruise Control	
42	2	9959-0816-16	Skruv	Screw	
43	2	9739-0831-22	Mutter	Nut	
44	1	1134-4021-01	Stag Farth.	Rod-Cruise Control	
45	2	9675-0012-02	Starlock	Locking washer	
46	1	1134-2859-01	Magnet	Magneto	
47	1	1134-2858-01	Fjäder	Spring	
48	1	1134-3953-01	Bromsstang	Brake Rod	
49	1	1134-3808-01	Knopp	Knob	
50	1	1131-1497-01	Fjäder	Brake Spring	



Utgåva Issue 48 - 2014		Fotreglage Foot controls			
Pos. Fig.	Antal Quantity	Art nr Part No	Benämning	Description	Anmärkning Notes
51	1	1134-4002-01	Fäste	Brake Rod Attachment	
52	3	9836-9512-12	Skruv	Screw	
53	2	9747-0831-02	Mutter Lasmutter	Nut	
54	1	1134-3910-01	Vajerfäste 24	Cable Holder	
55	2	9959-0816-16	Skruv	Screw	L = 16 mm
56	2	9739-0831-22	Mutter	Nut	

Utgåva Issue 48 - 2014		Handreglage		Hand controls	
Pos. Fig.	Antal Quantity	Art nr Part No	Benämning	Description	Anmärkning Notes
1	1	1134-4156-01	Vinkelhallare Kpl 24	Panel Bracket-Inner	
2	2	9897-0820-16	Skruv	Screw	
3	2	9739-0831-22	Mutter	Nut	
5	1	1134-4065-01	Reglageaxel	Control Shaft	
6	1	1134-4079-01	Fjäder	Spring	
7	1	1134-4080-03	Reglagehylsa	Control Sleeve	
8	2	9959-0820-16	Skruv	Screw	
9	1	1134-4077-01	Gasreglage	Throttle Cable	
10	1	1134-4078-01	Knopp	Knob	
11	1	1134-0240-00	Skruv	Screw	
12	2	1134-4242-01	Bricka Distansbricka	Washer	
13	1	9694-0001-00	Bricka	Washer	
14	1	9739-0831-22	Mutter	Nut	
15	1	1134-4195-01	Gasreglage	Throttle Cable	
16	1	9500-9991-00	Kabelklämma	Wire Clamp	
17	1	9943-0516-16	Skruv	Screw	
25	1	1134-4487-01	Frontfäste5-01 H14	Panel Bracket-Front	
26	2	9893-0616-16	Skruv Relä	Screw Relay	
27	1	1134-3986-01	Frontplat	Frontplate	
28	4	9893-0616-16	Skruv Relä	Screw Relay	
29	1	1134-4069-01	Reglagespak	Control Lever	
30	1	1134-2551-01	Knopp	Knob	
31	1	1134-4073-01	Vajerfästplat	Cable Holder	
32	1	9942-0612-16	Skruv	Screw	
33	1	1134-4006-01	Vajer	Cable	
34	1	1134-2871-03	Relä	Relay	
35	1	1134-2871-01	Relä Relä	Relay	
36	2	9997-0520-16	Skruv	Screw	
37	2	9739-0531-22	Mutter	Nut	
38	1	1134-3981-04	Kassett	Dashboard	
39	4	9946-0525-16	Skruv	Screw	
40	1	1134-4154-01	Täckbricka	Cover	
41	1	1134-4129-01	Täckbricka	Cover	
42	1	1134-4093-01	Tändningslas	Ignition Switch	
45	1	1134-4749-01	Mutter	Nut	
46	1	1134-4338-01	Reglageknopp Reglageknopp	Control Button-Choke	
46	1	1134-2872-02	Chokereglage Kpl	Choke Control	
47	2	9699-0028-02	Bricka	Washer	
48	4	9400-0282-01	Brytare (Med Diod)	Switch	
49	1	9400-0280-02	Vippa Farthallare	Switch	
50	1	9400-0280-03	Vippa Höjdinst	Switch Cover-Height Adjust	
51	1	9400-0280-01	Vippa Pto	Switch Cover-Pto	
52	1	9400-0280-04	Vippa rödskap Bak	Switch Cover-Rear Rake	
53	1	9400-0283-01	Brytare Bunband	Switch Cable holder	
54	1	9400-0280-05	Vippa rödskap 12V Brytare	Switch Cover-12V Switch	
55	1	1134-4179-01	Timräknare	Hour Meter	
56	1	9699-0025-02	Bricka	Washer	
99	1	9400-0290-01	Verktyg F.Vippa	Tool	Tillbehör/Accessory

code	pos.	q.ty	page										
13-0903-11	2	1	p. 57	1134-3203-01	4	2	p. 55	1134-4006-01	33	1	p. 73		
13-0904-11	3	1	p. 57	1134-3211-02	16	1	p. 65	1134-4008-01	8	1	p. 69		
1111-9029-02	2	1	p. 51	1134-3224-01	30	1	p. 49	1134-4011-01	38	1	p. 65		
1131-1497-01	50	1	p. 69	1134-3225-01	31	1	p. 49	1134-4011-02	38	1	p. 65		
1134-0031-00	3	1	p. 43	1134-3244-01	9	1	p. 49	1134-4012-01	32	1	p. 45		
1134-0041-01	17	2	p. 59	1134-3376-01	18	2	p. 65	1134-4012-02	33	1	p. 45		
1134-0041-02	11	4	p. 59	1134-3377-03	6	1	p. 65	1134-4014-01	51	1	p. 65		
1134-0051-09	2	1	p. 63	1134-3379-01	24	1	p. 63	1134-4015-01	50	1	p. 65		
1134-0052-00	5	1	p. 63	1134-3383-01	15	2	p. 47	1134-4017-01	36	1	p. 69		
1134-0052-00	12	1	p. 43	1134-3393-02	10	2	p. 47	1134-4020-01	41	1	p. 69		
1134-0075-01	1	2	p. 47	1134-3395-01	23	1	p. 69	1134-4021-01	44	1	p. 69		
1134-0222-00	6	1	p. 63	1134-3399-01	15	1	p. 55	1134-4025-01	1	1	p. 55		
1134-0225-00	11	2	p. 45	1134-3456-01	10	2	p. 65	1134-4031-01	7	1	p. 49		
1134-0234-02	30	1	p. 55	1134-3459-01	2	1	p. 65	1134-4033-01	15	1	p. 53		
1134-0240-00	10	2	p. 57	1134-3491-01	8	1	p. 55	1134-4042-01	29	1	p. 69		
1134-0240-00	11	1	p. 73	1134-3496-01	10	2	p. 55	1134-4046-01	12	1	p. 49		
1134-0240-00	16	2	p. 53	1134-3496-05	10	2	p. 55	1134-4049-01	32	1	p. 65		
1134-0240-00	24	2	p. 57	1134-3547-01	16	3	p. 59	1134-4052-01	27	1	p. 55		
1134-0266-00	19	1	p. 69	1134-3550-01	4	2	p. 59	1134-4056-01	26	1	p. 55		
1134-0267-00	20	1	p. 69	1134-3565-01	5	4	p. 59	1134-4060-01	19	1	p. 43		
1134-0341-01	7	8	p. 47	1134-3584-02	3	1	p. 69	1134-4060-01	19	1	p. 43		
1134-0994-02	46	1	p. 49	1134-3631-01	11	1	p. 55	1134-4061-01	17	1	p. 43		
1134-0995-01	16	1	p. 49	1134-3638-01	31	1	p. 63	1134-4064-01	29	1	p. 49		
1134-0997-01	18	1	p. 49	1134-3654-01	28	1	p. 63	1134-4065-01	5	1	p. 73		
1134-1322-02	15	1	p. 63	1134-3658-01	18	1	p. 63	1134-4069-01	29	1	p. 73		
1134-1565-01	23	1	p. 63	1134-3663-01	19	1	p. 63	1134-4073-01	31	1	p. 73		
1134-1565-01	37	1	p. 69	1134-3664-01	19	1	p. 49	1134-4077-01	9	1	p. 73		
1134-1565-06	36	1	p. 59	1134-3710-01	3	2	p. 51	1134-4078-01	10	1	p. 73		
1134-1565-08	12	1	p. 65	1134-3712-01	32	1	p. 63	1134-4079-01	6	1	p. 73		
1134-1565-08	37	2	p. 57	1134-3734-01	36	1	p. 65	1134-4080-03	7	1	p. 73		
1134-1565-09	34	2	p. 69	1134-3752-01	34	1	p. 59	1134-4082-03	16	2	p. 57		
1134-1730-01	8	1	p. 63	1134-3769-01	33	1	p. 59	1134-4083-01	9	2	p. 57		
1134-1769-02	1	1	p. 63	1134-3771-50	30	1	p. 51	1134-4084-01	14	4	p. 57		
1134-1870-01	9	1	p. 63	1134-3808-01	49	1	p. 69	1134-4085-01	7	1	p. 57		
1134-1888-01	10	2	p. 63	1134-3817-01	7	2	p. 59	1134-4087-01	27	1	p. 59		
1134-1893-01	11	1	p. 63	1134-3906-01	4	1	p. 69	1134-4088-01	23	1	p. 53		
1134-2021-01	26	1	p. 69	1134-3910-01	54	1	p. 71	1134-4093-01	42	1	p. 73		
1134-2171-01	5	1	p. 43	1134-3913-01	22	1	p. 65	1134-4098-01	17	1	p. 53		
1134-2310-01	31	1	p. 55	1134-3914-01	29	1	p. 65	1134-4109-01	56	1	p. 61		
1134-2551-01	30	1	p. 73	1134-3919-01	1	1	p. 43	1134-4113-01	24	1	p. 59		
1134-2609-01	8	2	p. 51	1134-3942-01	1	1	p. 45	1134-4114-01	28	1	p. 59		
1134-2684-01	2	2	p. 53	1134-3943-01	5	1	p. 45	1134-4117-01	1	1	p. 53		
1134-2700-01	10	2	p. 69	1134-3943-02	6	1	p. 45	1134-4118-01	29	1	p. 59		
1134-2766-04	16	1	p. 69	1134-3953-01	48	1	p. 69	1134-4120-01	21	1	p. 59		
1134-2777-02	35	1	p. 65	1134-3959-01	16	1	p. 63	1134-4121-01	25	1	p. 53		
1134-2780-01	9	2	p. 69	1134-3963-02	2	1	p. 43	1134-4122-01	26	1	p. 53		
1134-2790-01	53	1	p. 65	1134-3965-01	16	1	p. 43	1134-4124-01	27	1	p. 53		
1134-2816-01	10	4	p. 59	1134-3966-01	8	1	p. 43	1134-4129-01	41	1	p. 73		
1134-2820-02	2	3	p. 59	1134-3968-01	11	1	p. 43	1134-4130-01	32	1	p. 57		
1134-2820-04	3	1	p. 59	1134-3969-01	30	1	p. 45	1134-4135-01	34	1	p. 57		
1134-2820-06	1	1	p. 59	1134-3970-01	38	1	p. 45	1134-4138-01	54	1	p. 61		
1134-2824-01	6	10	p. 59	1134-3970-02	39	1	p. 45	1134-4139-01	28	1	p. 53		
1134-2858-01	47	1	p. 69	1134-3971-01	2	1	p. 45	1134-4140-01	30	2	p. 53		
1134-2859-01	46	1	p. 69	1134-3974-01	7	1	p. 69	1134-4142-01	26	1	p. 57		
1134-2871-01	35	1	p. 73	1134-3978-01	3	1	p. 45	1134-4144-01	8	1	p. 57		
1134-2871-03	34	1	p. 73	1134-3979-01	22	1	p. 45	1134-4151-01	21	1	p. 53		
1134-2872-02	46	1	p. 73	1134-3981-04	38	1	p. 73	1134-4152-01	26	1	p. 45		
1134-2878-01	2	1	p. 49	1134-3984-01	18	1	p. 45	1134-4153-01	19	1	p. 57		
1134-2888-02	3	2	p. 47	1134-3984-01	18	1	p. 45	1134-4154-01	40	1	p. 73		
1134-2892-01	12	1	p. 55	1134-3985-01	36	1	p. 45	1134-4156-01	1	1	p. 73		
1134-2941-01	24	2	p. 49	1134-3986-01	27	1	p. 73	1134-4157-01	42	1	p. 59		
1134-2962-01	5	1	p. 55	1134-3990-01	29	1	p. 57	1134-4159-01	20	1	p. 57		
1134-2975-04	32	1	p. 49	1134-3995-01	17	1	p. 65	1134-4160-01	18	2	p. 57		
1134-3022-01	18	2	p. 59	1134-3996-01	31	1	p. 69	1134-4167-01	23	1	p. 43		
1134-3144-01	22	2	p. 55	1134-3998-01	34	1	p. 65	1134-4171-01	8	1	p. 65		
1134-3156-01	28	1	p. 57	1134-4000-01	1	1	p. 65	1134-4172-01	25	1	p. 55		
				1134-4002-01	51	1	p. 71	1134-4176-01	8	2	p. 45		
				1134-4003-01	13	1	p. 51						

code	pos.	q.ty	page								
1134-4176-01	16	2	p. 45	1139-1018-01	7	1	p. 23	1139-1200-01	8	1	p. 39
1134-4177-01	20	2	p. 55	1139-1021-01	8	3	p. 23	1139-1201-01	1	1	p. 33
1134-4179-01	55	1	p. 73	1139-1021-01	10	1	p. 25	1139-1202-01	4	2	p. 33
1134-4180-01	51	1	p. 61	1139-1022-01	1	2	p. 29	1139-1203-01	5	2	p. 33
1134-4181-01	52	1	p. 61	1139-1024-01	5	1	p. 29	1139-1204-01	3	2	p. 35
1134-4183-01	9	1	p. 65	1139-1026-01	7	1	p. 29	1139-1205-01	4	1	p. 35
1134-4184-01	3	1	p. 53	1139-1028-01	8	1	p. 29	1139-1206-01	5	1	p. 35
1134-4185-01	6	2	p. 51	1139-1044-01	5	2	p. 37	1139-1208-01	6	1	p. 33
1134-4187-01	32	1	p. 69	1139-1057-01	10	1	p. 17	1139-1209-01	6	1	p. 35
1134-4190-01	26	1	p. 65	1139-1102-01	12	1	p. 31	1139-1211-01	2	1	p. 17
1134-4191-01	25	1	p. 65	1139-1104-01	15	1	p. 17	1139-1212-01	6	1	p. 17
1134-4195-01	15	1	p. 73	1139-1110-01	9	1	p. 23	1139-1213-01	2	1	p. 41
1134-4208-01	40	1	p. 55	1139-1114-01	12	1	p. 39	1139-1214-01	6	1	p. 23
1134-4213-01	23	1	p. 57	1139-1115-01	13	2	p. 31	1139-1215-01	12	1	p. 25
1134-4215-01	26	1	p. 43	1139-1116-01	16	2	p. 17	1139-1216-01	12	1	p. 25
1134-4216-02	17	1	p. 45	1139-1117-01	13	2	p. 29	1139-1217-01	3	1	p. 41
1134-4218-01	53	1	p. 61	1139-1117-01	18	1	p. 19	1139-1218-01	4	1	p. 41
1134-4220-02	14	1	p. 45	1139-1119-01	17	1	p. 17	1139-1219-01	5	1	p. 41
1134-4222-01	1	1	p. 49	1139-1124-01	18	1	p. 17	1139-1220-01	6	1	p. 41
1134-4224-01	2	1	p. 57	1139-1124-01	18	1	p. 17	1139-1221-01	7	1	p. 41
1134-4225-01	3	1	p. 57	1139-1127-01	14	1	p. 31	1139-1222-01	8	1	p. 41
1134-4228-01	48	1	p. 59	1139-1139-01	1	1	p. 23	1139-1223-01	9	4	p. 41
1134-4229-01	49	1	p. 61	1139-1139-01	3	1	p. 25	1139-1224-01	10	1	p. 41
1134-4230-01	50	1	p. 61	1139-1144-01	1	1	p. 41	1139-1225-01	1	1	p. 37
1134-4232-01	33	1	p. 65	1139-1145-01	6	1	p. 29	1139-1226-01	2	1	p. 37
1134-4242-01	12	2	p. 73	1139-1146-01	15	1	p. 23	1139-1227-01	1	1	p. 39
1134-4247-01	1	1	p. 69	1139-1148-01	21	1	p. 27	1139-1228-01	2	1	p. 39
1134-4249-01	0	1	p. 51	1139-1151-01	17	1	p. 27	1139-1230-01	1	1	p. 21
1134-4261-01	32	1	p. 59	1139-1152-01	3	1	p. 27	1139-1231-01	2	2	p. 19
1134-4266-01	40	1	p. 55	1139-1152-01	7	1	p. 27	1139-1233-01	12	1	p. 27
1134-4267-01	23	1	p. 55	1139-1153-01	2	1	p. 27	1139-1234-01	10	1	p. 27
1134-4268-01	29	1	p. 55	1139-1154-01	6	1	p. 27	1139-1235-01	19	2	p. 27
1134-4271-01	46	1	p. 59	1139-1155-01	3	2	p. 37	1139-1277-01	14	2	p. 17
1134-4273-01	23	2	p. 49	1139-1156-01	4	2	p. 37	1139-1278-01	8	1	p. 31
1134-4282-01	21	2	p. 65	1139-1158-01	19	1	p. 19	1139-1278-01	13	1	p. 39
1134-4282-01	44	2	p. 59	1139-1160-01	8	1	p. 25	1139-1280-01	12	1	p. 29
1134-4338-01	46	1	p. 73	1139-1161-01	11	1	p. 29	1139-1285-01	11	1	p. 39
1134-4356-01	27	1	p. 49	1139-1165-01	1	1	p. 31	1139-1287-01	13	1	p. 25
1134-4360-01	21	1	p. 45	1139-1166-01	17	2	p. 19	1139-1288-01	13	1	p. 27
1134-4411-01	42	1	p. 49	1139-1167-01	18	1	p. 27	1139-1289-01	11	2	p. 41
1134-4457-01	25	2	p. 43	1139-1168-01	20	2	p. 27	1139-1290-01	3	1	p. 21
1134-4457-01	25	3	p. 43	1139-1169-01	3	1	p. 17	1139-1291-01	23	2	p. 27
1134-4481-01	40	1	p. 49	1139-1170-01	1	1	p. 25	1139-1292-01	19	2	p. 17
1134-4487-01	25	1	p. 73	1139-1171-01	7	1	p. 17	1139-1293-01	20	3	p. 19
1134-4570-01	26	1	p. 51	1139-1172-01	9	1	p. 17	8211-0209-08	31	1	p. 51
1134-4587-01	55	1	p. 61	1139-1175-01	4	1	p. 19	8211-0276-02	31	1	p. 51
1134-4593-05	99	1	p. 45	1139-1176-01	10	1	p. 19	8211-0277-02	31	1	p. 51
1134-4593-06	99	1	p. 45	1139-1177-01	16	1	p. 19	8211-0278-02	31	1	p. 51
1134-4595-01	44	2	p. 49	1139-1178-01	1	1	p. 19	8211-2002-03	31	1	p. 51
1134-4621-01	25	1	p. 51	1139-1179-01	13	1	p. 17	8290-9014-01	2	1	p. 57
1134-4688-01	24	1	p. 51	1139-1182-01	9	1	p. 25	9400-0064-02	13	1	p. 55
1134-4713-01	52	1	p. 65	1139-1183-01	11	1	p. 25	9400-0231-00	33	2	p. 55
1134-4734-01	10	2	p. 51	1139-1184-01	1	1	p. 27	9400-0244-00	337	2	p. 3
1134-4736-01	15	1	p. 49	1139-1185-01	14	1	p. 27	9400-0280-01	51	1	p. 73
1134-4749-01	45	1	p. 73	1139-1186-01	2	1	p. 21	9400-0280-02	49	1	p. 73
1134-4757-02	22	1	p. 49	1139-1187-01	2	1	p. 29	9400-0280-03	50	1	p. 73
1134-4758-01	34	1	p. 65	1139-1188-01	9	1	p. 29	9400-0280-04	52	1	p. 73
1134-4760-01	4	1	p. 69	1139-1189-01	10	1	p. 29	9400-0280-05	54	1	p. 73
1134-9024-01	2	1	p. 69	1139-1190-01	11	1	p. 31	9400-0282-01	48	4	p. 73
1134-9029-01	5	1	p. 65	1139-1191-01	2	1	p. 31	9400-0283-01	53	1	p. 73
1134-9047-01	22	1	p. 63	1139-1192-01	1	1	p. 35	9400-0290-01	99	1	p. 73
1139-0239-01	22	2	p. 27	1139-1193-01	2	2	p. 35	9400-0293-01	25	1	p. 55
1139-0244-01	12	1	p. 41	1139-1194-01	6	2	p. 37	9403-0043-70	39	1	p. 59
1139-0244-01	20	12	p. 17	1139-1195-01	3	1	p. 39	9403-0113-00	40	1	p. 59
1139-1005-01	2	1	p. 25	1139-1196-01	4	1	p. 39	9404-0020-00	17	1	p. 49
1139-1006-01	8	5	p. 17	1139-1197-01	9	1	p. 39	9404-0025-01	41	1	p. 49
				1139-1198-01	5	1	p. 39	9404-0026-01	51	1	p. 61
				1139-1199-01	10	1	p. 39				

code	pos.	q.ty	page									
9404-0026-01	52	1	p. 61	9699-0090-02	37	2	p. 59	9840-8009-16	27	2	p. 43	
9404-0027-01	7	1	p. 53	9699-0099-02	4	4	p. 49	9840-8009-16	27	3	p. 43	
9404-0028-01	21	1	p. 65	9699-0103-02	5	1	p. 51	9840-8009-16	27	3	p. 57	
9404-0028-01	44	1	p. 59	9699-0109-02	7	1	p. 63	9840-8009-16	33	4	p. 57	
9500-9991-00	16	1	p. 73	9699-0114-02	5	1	p. 51	9849-7819-16	19	2	p. 55	
9501-0500-00	6	1	p. 43	9739-0531-22	18	4	p. 69	9849-8006-16	6	2	p. 55	
9501-0500-00	10	2	p. 43	9739-0531-22	22	2	p. 69	9849-8013-16	9	2	p. 55	
9501-0502-00	7	1	p. 43	9739-0531-22	37	2	p. 73	9893-0616-16	7	4	p. 45	
9545-0124-01	5	2	p. 47	9739-0631-22	29	2	p. 45	9893-0616-16	15	6	p. 45	
9545-0124-01	11	2	p. 47	9739-0631-22	29	2	p. 63	9893-0616-16	18	2	p. 43	
9545-0203-00	99	1	p. 47	9739-0831-22	3	2	p. 73	9893-0616-16	24	2	p. 53	
9545-0500-00	6	2	p. 47	9739-0831-22	6	2	p. 69	9893-0616-16	26	2	p. 73	
9545-0500-00	12	2	p. 47	9739-0831-22	6	4	p. 49	9893-0616-16	27	3	p. 45	
9547-0001-00	9	2	p. 43	9739-0831-22	11	1	p. 49	9893-0616-16	28	2	p. 45	
9549-0017-00	25	2	p. 59	9739-0831-22	12	2	p. 69	9893-0616-16	28	4	p. 73	
9549-0019-00	3	2	p. 63	9739-0831-22	13	1	p. 63	9893-0616-16	31	4	p. 45	
9549-0052-00	4	2	p. 47	9739-0831-22	14	1	p. 73	9893-0616-16	37	2	p. 45	
9549-0052-00	4	2	p. 47	9739-0831-22	14	4	p. 49	9893-0616-16	40	4	p. 45	
9549-0054-01	4	2	p. 47	9739-0831-22	15	2	p. 51	9897-0820-16	2	2	p. 73	
9549-0054-01	4	2	p. 47	9739-0831-22	15	3	p. 69	9897-0820-16	5	4	p. 57	
9570-0001-00	17	2	p. 69	9739-0831-22	22	1	p. 57	9897-0820-16	13	1	p. 53	
9578-0011-00	8	1	p. 49	9739-0831-22	22	2	p. 43	9897-0820-16	22	4	p. 59	
9578-0023-02	33	1	p. 49	9739-0831-22	23	4	p. 59	9897-0820-16	30	2	p. 57	
9578-0023-02	49	1	p. 49	9739-0831-22	25	2	p. 69	9897-0880-12	4	2	p. 57	
9578-0025-01	39	2	p. 65	9739-0831-22	26	1	p. 63	9897-1040-12	14	2	p. 59	
9578-0026-01	45	2	p. 49	9739-0831-22	31	1	p. 65	9924-1035-16	3	1	p. 65	
9579-0003-00	32	15	p. 55	9739-0831-22	31	2	p. 57	9931-3516-16	45	2	p. 59	
9579-0003-00	34	1	p. 49	9739-0831-22	34	2	p. 63	9939-0612-16	43	3	p. 59	
9579-0003-00	40	1	p. 65	9739-0831-22	35	2	p. 45	9939-0816-16	15	4	p. 57	
9591-0030-00	22	1	p. 53	9739-0831-22	35	2	p. 69	9939-1014-06	29	1	p. 53	
9595-0256-01	30	2	p. 59	9739-0831-22	40	1	p. 69	9942-0612-16	32	1	p. 73	
9595-0258-00	2	2	p. 47	9739-0831-22	43	2	p. 69	9943-0516-16	17	1	p. 73	
9595-0258-00	30	1	p. 69	9739-0831-22	55	1	p. 65	9945-0816-16	12	6	p. 45	
9595-0262-00	4	1	p. 43	9739-0831-22	56	2	p. 71	9945-0816-16	17	2	p. 63	
9595-0262-00	4	1	p. 51	9739-1031-22	15	4	p. 59	9945-0816-16	20	2	p. 43	
9595-0276-01	9	1	p. 53	9739-1031-22	20	2	p. 59	9945-0816-16	26	1	p. 59	
9598-0003-02	16	2	p. 47	9739-1031-22	21	1	p. 63	9945-0816-16	37	2	p. 65	
9599-0080-02	8	2	p. 47	9739-1031-22	28	2	p. 51	9945-0816-16	47	2	p. 59	
9600-0251-00	20	1	p. 49	9747-0531-02	17	2	p. 55	9946-0525-16	20	2	p. 45	
9632-0522-00	35	2	p. 57	9747-0531-02	25	2	p. 45	9946-0525-16	23	5	p. 45	
9632-0522-00	41	1	p. 55	9747-0631-02	3	2	p. 55	9946-0525-16	39	4	p. 73	
9650-0039-04	8	1	p. 53	9747-0631-02	10	2	p. 45	9950-0570-12	24	2	p. 45	
9651-0040-04	4	2	p. 63	9747-0631-02	11	1	p. 53	9959-0612-16	2	2	p. 55	
9665-0002-00	12	2	p. 57	9747-0631-02	11	1	p. 65	9959-0612-16	25	4	p. 49	
9675-0008-02	4	7	p. 45	9747-0631-02	19	2	p. 53	9959-0612-16	30	2	p. 63	
9675-0008-02	7	1	p. 65	9747-0831-02	26	4	p. 49	9959-0816-16	5	2	p. 69	
9675-0009-02	56	1	p. 67	9747-0831-02	6	6	p. 57	9959-0816-16	14	1	p. 69	
9675-0012-02	45	2	p. 69	9747-0831-02	9	2	p. 59	9959-0816-16	17	4	p. 57	
9694-0001-00	13	1	p. 73	9747-0831-02	13	2	p. 57	9959-0816-16	34	2	p. 45	
9695-0011-00	31	1	p. 59	9747-0831-02	14	1	p. 53	9959-0816-16	42	2	p. 69	
9699-0025-02	9	2	p. 45	9747-0831-02	14	2	p. 47	9959-0816-16	54	1	p. 65	
9699-0025-02	56	1	p. 73	9747-0831-02	15	1	p. 65	9959-0816-16	55	2	p. 71	
9699-0028-02	47	2	p. 73	9747-0831-02	20	4	p. 65	9959-0820-16	7	2	p. 51	
9699-0030-02	27	1	p. 65	9747-0831-02	24	2	p. 65	9959-0820-16	8	2	p. 73	
9699-0035-02	12	4	p. 59	9747-0831-02	28	1	p. 49	9959-0820-16	10	1	p. 49	
9699-0035-02	13	1	p. 43	9747-0831-02	38	1	p. 59	9959-0820-16	11	2	p. 69	
9699-0042-02	9	2	p. 47	9747-0831-02	53	2	p. 71	9959-0820-16	13	4	p. 49	
9699-0056-02	13	4	p. 45	9747-1031-02	28	1	p. 65	9959-0820-16	14	2	p. 51	
9699-0056-02	14	1	p. 65	9787-1031-32	31	2	p. 53	9959-0820-16	21	2	p. 43	
9699-0056-02	21	1	p. 57	9794-5131-02	7	2	p. 55	9959-0820-16	23	2	p. 65	
9699-0056-02	25	1	p. 63	9795-3531-02	24	1	p. 55	9959-0820-16	24	2	p. 69	
9699-0056-02	39	1	p. 69	9799-1031-02	4	1	p. 65	9959-0820-16	30	1	p. 65	
9699-0062-02	9	2	p. 51	9836-9512-12	52	3	p. 71	9959-0820-16	33	2	p. 63	
9699-0062-02	12	2	p. 63	9837-8914-12	16	2	p. 51	9959-0820-16	34	1	p. 45	
9699-0069-02	11	2	p. 57	9840-7716-16	28	2	p. 55	9959-0830-16	34	1	p. 45	
9699-0090-02	8	2	p. 59	9840-8009-16	19	2	p. 45	9959-1020-16	14	1	p. 43	
				9840-8009-16	24	4	p. 43	9959-1020-16	27	2	p. 51	

code	pos.	q.ty	page									
9959-1025-16	15	1	p. 43	690683	27	4	p. 3	691544	830	4	p. 5	
9987-5357-12	21	1	p. 49	690684	718	2	p. 3	691550	615	1	p. 7	
9997-0512-16	3	4	p. 49	690686	572	1	p. 3	691551	638	2	p. 7	
9997-0520-16	16	2	p. 55	690688	78	2	p. 7	691552	1119	2	p. 15	
9997-0520-16	21	2	p. 69	690688	732	1	p. 9	691557	46	1	p. 3	
9997-0520-16	36	2	p. 73	690689	1025	1	p. 5	691559	788	1	p. 11	
9997-0620-16	18	2	p. 53	690698	32	4	p. 3	691564	309	1	p. 15	
9997-0640-12	10	1	p. 53	690701	552	1	p. 7	692154	439	1	p. 3	
9997-0840-16	5	4	p. 49	690704	276	1	p. 3	692172	16	1	p. 3	
9997-0840-16	33	2	p. 69	690706	638	2	p. 7	692537	287	2	p. 7	
9997-0845-12	13	2	p. 47	690706	816	2	p. 9	692539	322	2	p. 7	
9997-0850-16	27	1	p. 63	690714	727	1	p. 7	692539	447	2	p. 7	
9997-0850-16	38	1	p. 69	690715	37	1	p. 7	692539	732	1	p. 9	
9997-0865-12	14	1	p. 63	690718	95	4	p. 11	692539	833	1	p. 11	
9997-0865-12	35	1	p. 59	690718	231	2	p. 11	692540	22	9	p. 3	
9997-0870-16	13	1	p. 69	690722	633	1	p. 11	692545	1	1	p. 3	
9997-0875-12	13	1	p. 65	690724	276	1	p. 11	693169	385	2	p. 11	
9997-0875-12	19	4	p. 65	690744	529	1	p. 15	693186	1024	1	p. 9	
9997-1030-16	19	2	p. 59	690750	865	1	p. 9	693711	102	1	p. 11	
9997-1040-12	20	1	p. 63	690751	10	1	p. 3	805011	524	1	p. 7	
9997-1050-16	13	2	p. 59	690757	879	1	p. 9	805019	812	4	p. 5	
19203	363	1	p. 15	690817	996	1	p. 13	805023	51	2	p. 11	
19374	383	1	p. 3	690854	803	1	p. 15	805024	883	2	p. 11	
90576	373	1	p. 7	690855	544	1	p. 15	805025	188	2	p. 7	
93807	601	6	p. 11	690865	1004	1	p. 13	805025	305	4	p. 7	
94196	146	1	p. 3	690866	971	2	p. 13	805049	20	1	p. 3	
94627	934	2	p. 15	690867	202	1	p. 7	805084	871	4	p. 5	
221535	265	1	p. 7	690868	862	1	p. 11	805092	40	4	p. 3	
262679	45	4	p. 3	690869	53	2	p. 11	805094	868	4	p. 5	
270920	842	1	p. 9	690870	122	1	p. 11	805097	13	8	p. 3	
272490	967	1	p. 13	690871	216	1	p. 7	805101	3	1	p. 3	
280275	1054	1	p. 15	690872	833	1	p. 11	805158	437	4	p. 11	
296004	187	1	p. 11	690873	11	1	p. 3	805247	305	2	p. 7	
393295	474	1	p. 15	690874	232	1	p. 7	805247	628	2	p. 11	
393815	918	1	p. 13	690878	1017	1	p. 9	805247	697	2	p. 15	
394018	445	1	p. 11	690879	142	2	p. 11	805250	988	1	p. 9	
394890	501	1	p. 15	690880	117	1	p. 11	805352	1026	2	p. 5	
398525	507	1	p. 7	690881	117	1	p. 11	805407	334	2	p. 15	
491055	337	2	p. 3	690882	104	1	p. 11	805420	276	6	p. 3	
491875	467	1	p. 11	690883	108	1	p. 11	805447	74	4	p. 15	
492341	333	1	p. 15	690884	130	2	p. 11	805448	447	1	p. 7	
492932	1027	1	p. 9	690885	1127	4	p. 13	805448	526	1	p. 15	
493629	240	1	p. 11	690886	50	1	p. 11	805453	211	1	p. 7	
493792	578	1	p. 15	690887	332	1	p. 15	805462	209	1	p. 7	
493880	851	2	p. 15	690888	7	2	p. 3	805529	635	2	p. 3	
494439	73	1	p. 15	690901	865	1	p. 9	805547	105	1	p. 11	
496813	802	1	p. 15	690902	573	1	p. 7	805617	1026	2	p. 5	
496880	310	2	p. 15	690911	1005	1	p. 15	805631	643	1	p. 11	
496881	510	1	p. 15	690915	304	1	p. 7	805762	267	1	p. 7	
496887	311	4	p. 15	690916	161	1	p. 11	805870	15	1	p. 3	
690236	227	1	p. 7	690923	203	1	p. 7	805937	35	4	p. 3	
690237	278	1	p. 7	690939	185	3	p. 11	806013	163	1	p. 11	
690238	349	2	p. 7	690950	51	2	p. 11	806039	1022	2	p. 5	
690238	505	1	p. 7	690973	1100	2	p. 5	806066	377	1	p. 3	
690239	562	1	p. 7	691049	187	1	p. 11	806070	987	1	p. 13	
690283	89	1	p. 7	691077	359	1	p. 7	806190	12	1	p. 3	
690423	527	1	p. 11	691084	520	1	p. 7	806497	1139	2	p. 13	
690451	739	1	p. 9	691124	1051	1	p. 15	806546	308	1	p. 7	
690452	1006	1	p. 15	691490	75	1	p. 15	806547	308	1	p. 7	
690586	729	1	p. 7	691492	596	2	p. 7	806685	616	1	p. 7	
690676	54	2	p. 11	691492	711	3	p. 11	806686	552	1	p. 7	
690677	506	2	p. 7	691494	1023	2	p. 5	807501	525	1	p. 7	
690679	737	2	p. 9	691500	668	4	p. 15	807623	192	2	p. 3	
690680	691	1	p. 7	691501	436	1	p. 11	807680	34	2	p. 3	
690681	273	2	p. 7	691516	1091	1	p. 13	807681	33	2	p. 3	
690682	565	2	p. 7	691530	741	1	p. 5	807683	42	4	p. 3	
				691543	1029	2	p. 5	807687	2	1	p. 3	

code	pos.	q.ty	page
807688	9	1	p. 3
807723	955	1	p. 13
807795	8	1	p. 3
807803	29	2	p. 3
807862	968	1	p. 13
807886	28	2	p. 3
807889	26	2	p. 3
807900	29	2	p. 3
807985	523	1	p. 7
807994	26	2	p. 3
807995	26	2	p. 3
807996	26	2	p. 3
808177	98	1	p. 11
808178	254	1	p. 11
808179	975	1	p. 13
808180	133	1	p. 11
808181	109	1	p. 11
808235	1028	1	p. 9
808257	94	1	p. 11
808265	121	1	p. 11
808266	125	1	p. 11
808326	25	2	p. 3
808336	25	2	p. 3
808337	25	2	p. 3
808338	25	2	p. 3
808383	5	1	p. 3
808384	5	1	p. 3
808389	358	1	p. 7
808391	1033	1	p. 5
808406	117	1	p. 11
808454	222	1	p. 7
808624	947	1	p. 13
808656	387	1	p. 11
808719	97	1	p. 11
808768	23	1	p. 15
808777	801	1	p. 15
808846	4	1	p. 3