



Reservdelskatalog Parts Catalogue

PARK PRO 740 IOX

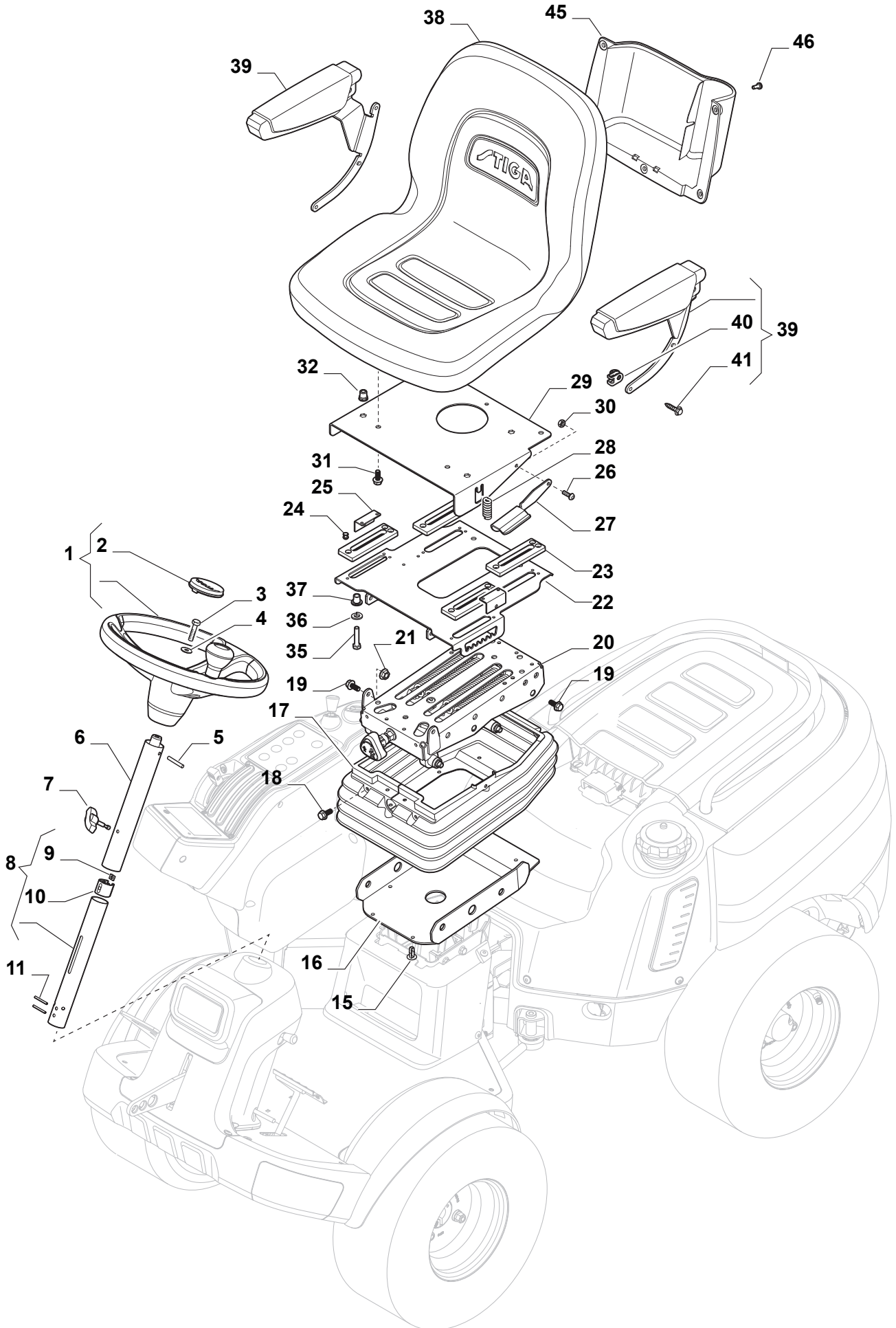
13-6491-11 - Season 2015

- Use GLOBAL GARDEN PRODUCT Genuine Spare Parts specified in the parts list for repair and/or replacement.
 - The contents described in the parts list may change due to improvement.
 - The drawings of the spare parts are only indicative and might not represent the part in question exactly.
 - The indications "right" - "left" - "front" - "rear" refer to the position of the operator when using the machine.
- When placing orders of parts for repair and/or replacement, make sure that the illustrated parts list is the one applying to the machine's year of manufacture, as shown on the identification plate attached to the machine.

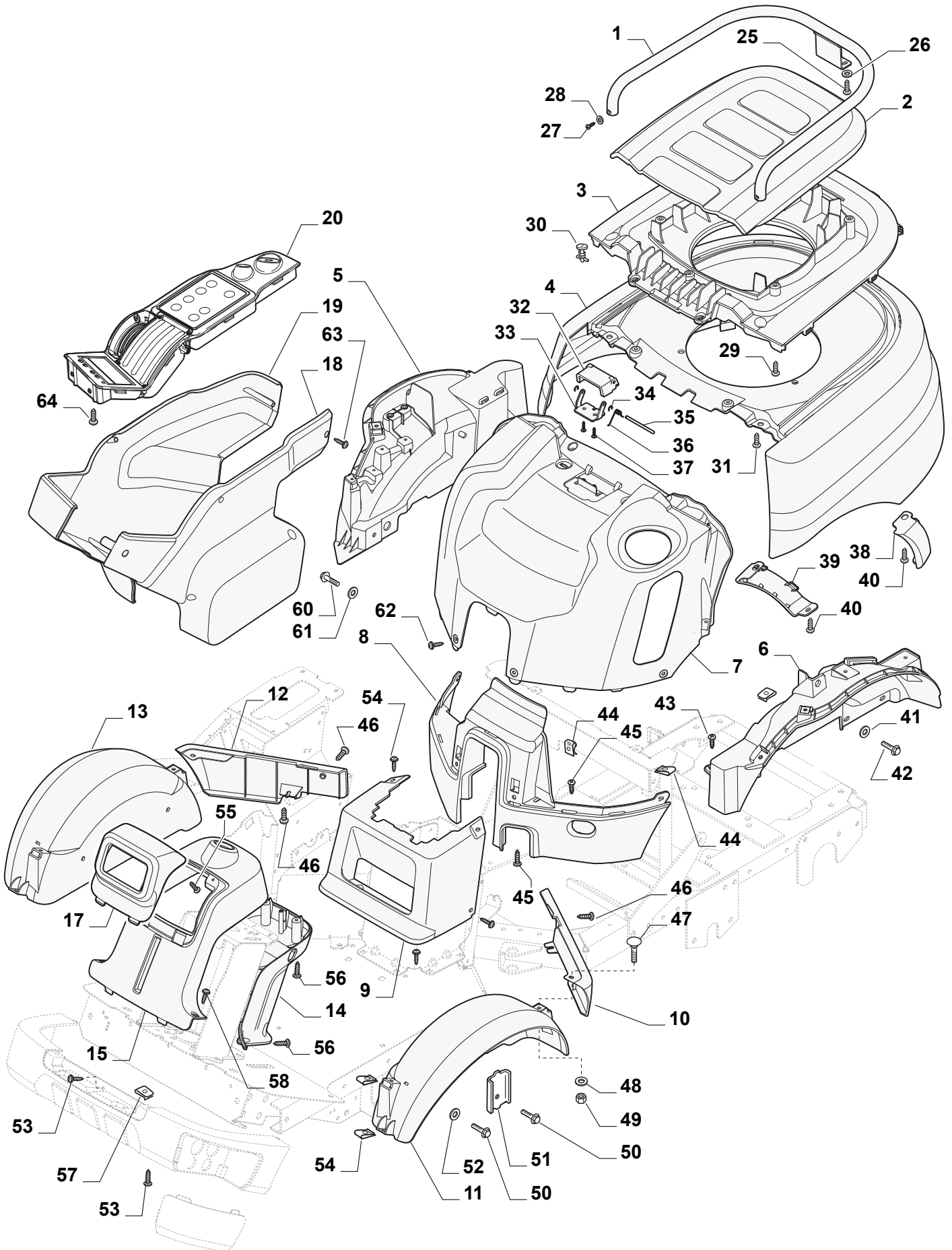
© Copyright 2015 Global Garden Products

All rights reserved. No part of this material may be reproduced or transmitted, in any form or by any means, electronic or mechanical, including photocopying, recording or by any information storage and retrieval system, without permission in writing from GLOBAL GARDEN PRODUCTS.

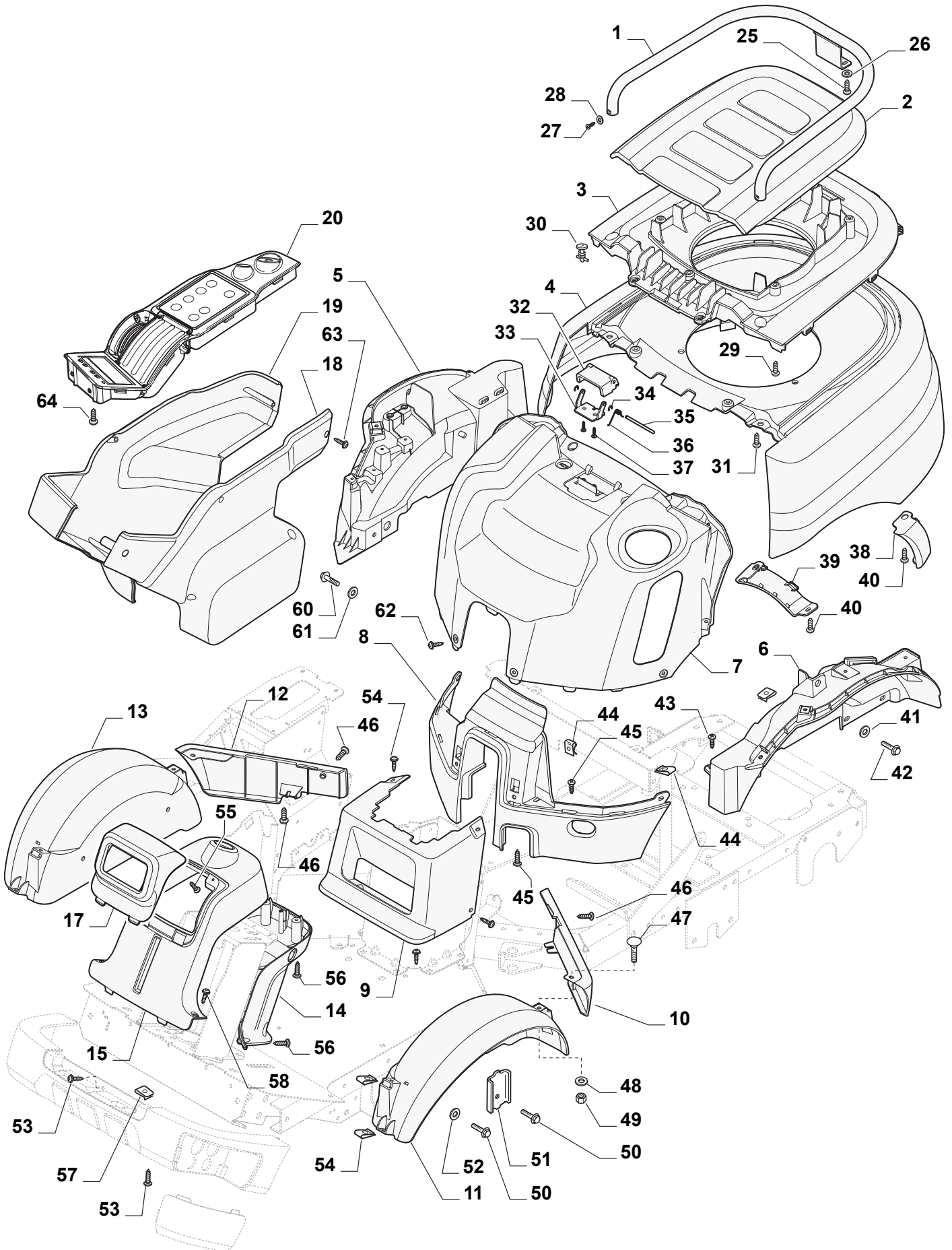
www.stiga.com



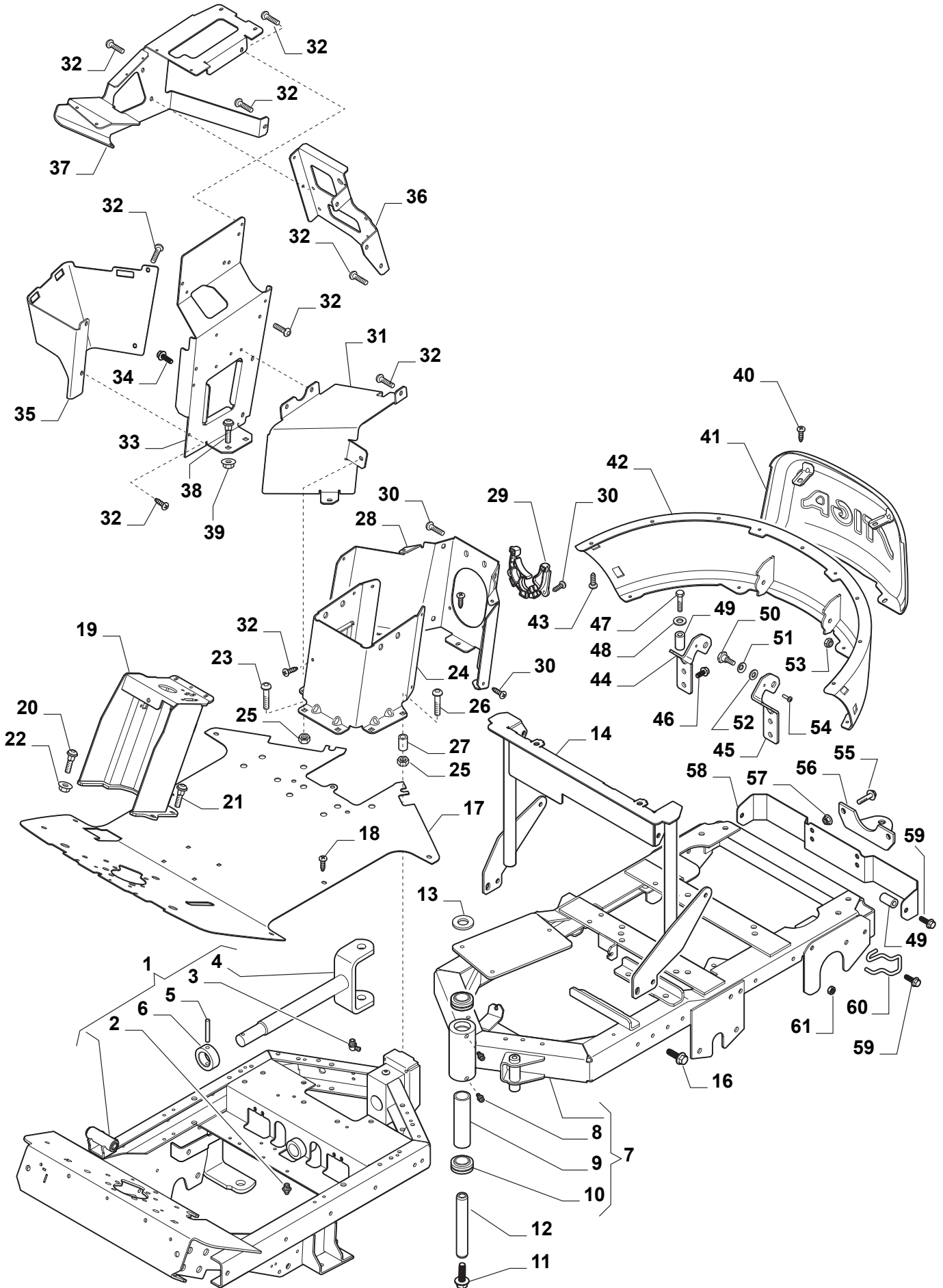
| Utgåva Issue 19 - 2015 | | Sits och ratt Seat & Steering Wheel | | | |
|------------------------------|---------------|--|------------------|-----------------|---------------------|
| Pos. Fig. | Antal Q.ty | Art nr Part No | Benämning | Description | Anmärkning Notes |
| 1 | 1 | 337961200/0 | Ratt | Steering wheel | |
| 2 | 1 | 337580550/0 | Styrplåt Kpl | Steering Plate | |
| 3 | 1 | 112793102/0 | Skruv | Screw | |
| 4 | 1 | 112583500/0 | Lasbricka | Grower | |
| 5 | 1 | 112620299/0 | Spännstift | Elastic Pin | |
| 6 | 1 | 387520101/1 | Rattstång | Steering Column | |
| 7 | 1 | 337394201/0 | Vingmutter | Wing Nut | |
| 8 | 1 | 387520105/1 | Rattstång | Steering Column | |
| 9 | 1 | 9710-0631-12 | Lasmutter | Nut | |
| 10 | 1 | 1134-5177-01 | Slid | Slide | |
| 11 | 2 | 9595-0262-00 | Spännstift | Locating Pin | |
| 15 | 8 | 118737220/0 | Clips | Clip | |
| 16 | 1 | 387785203/0 | Fäste | Support | |
| 17 | 1 | 337737500/0 | Skydd | Protection | |
| 18 | 6 | 9945-0816-16 | Skruv | Screw | |
| 19 | 4 | 9959-0820-16 | Skruv | Screw | |
| 20 | 1 | 387754201/0 | Sitsfäste | Seat Support | |
| 21 | 2 | 112154220/0 | Mutter | Nut | |
| 22 | 1 | 387547013/0 | Sitsfäste | Seat Support | |
| 23 | 4 | 337546531/0 | Sits Platta | Seat Plate | |
| 24 | 20 | 112500070/0 | Nit | Rivet | |
| 25 | 4 | 337546535/0 | Plåt | Plate | |
| 26 | 1 | 9893-0616-16 | Skruv | Screw | |
| 27 | 1 | 1134-6073-01 | Handtag Kpl 5-01 | Handle Assy | |
| 28 | 1 | 1134-3262-01 | Fjäder | Spring | |
| 29 | 1 | 387547015/0 | Överdel | Seat Plate | |
| 30 | 1 | 112154510/0 | Mutter | Nut | |
| 31 | 2 | 9959-0820-16 | Skruv | Screw | |
| 32 | 4 | 112500094/0 | Nit | Rivet | |
| 35 | 4 | 112691115/0 | Skruv | Screw | |
| 36 | 4 | 112583500/0 | Lasbricka | Grower | |
| 37 | 4 | 137040602/0 | Bussning | Bush | |
| 38 | 1 | 137722603/0 | Sits | Seat | |
| 39 | 1 | 387185100/0 | Armstöd Kpl | Arm Rests | |
| 40 | 6 | 1139-0010-01 | Skruv | Screw | |
| 41 | 6 | 1139-0011-01 | Mutter | Nut | |
| 45 | 1 | 337592350/0 | Förvaringsfack | Tray | |
| 46 | 4 | 112727801/0 | Skruv | Screw | |



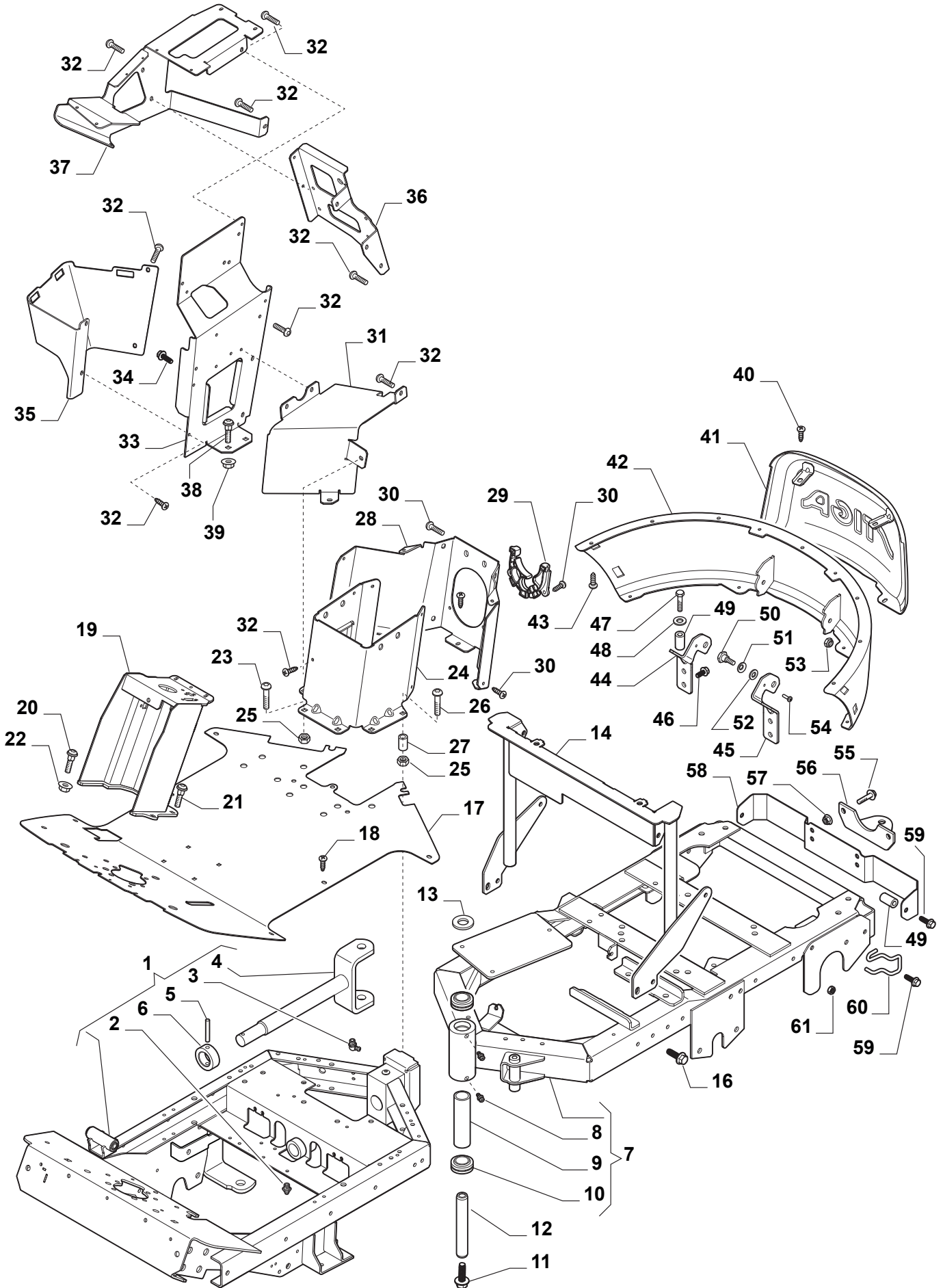
| Utgåva Issue 19 - 2015 | | Kaross | | Body | |
|------------------------------|---------------|-------------------|---------------------------------|------------------------------|---------------------|
| Pos. Fig. | Antal Q.ty | Art nr Part No | Benämning | Description | Anmärkning Notes |
| 1 | 1 | 387594001/0 | Handtag | Handle | |
| 2 | 1 | 337110302/0 | Lucka (Grå) | Engine Cover (Grey) | |
| 3 | 1 | 337110301/0 | Lucka (Grå) | Engine Cover (Grey) | |
| 4 | 1 | 337076801/0 | Motorhuv Gul | Engine Cover, Yellow | |
| 5 | 1 | 337110304/0 | Höger Front. Skärm svart | Black Wheels Cover, Right | |
| 6 | 1 | 337110305/0 | VänsterFront. Skärm svart | Black Wheels Cover, Left | |
| 7 | 1 | 337110303/0 | Frontlucka Motorhuv | Engine Front Cover | |
| 8 | 1 | 337502500/0 | Spoiler Grå | Spoiler-Grey | |
| 9 | 1 | 337207100/0 | Kåpa | Cover | |
| 10 | 1 | 337110311/0 | Kantlist-Vä (Grå) | Moulding-Left (Grey) | |
| 11 | 1 | 337491251/0 | Framskärm-Vä | Mud Guard, Front-Lh | |
| 12 | 1 | 337110312/0 | Kantlist-Hö (Grå) | Moulding Right-Grey | |
| 13 | 1 | 337491250/0 | Framskärm-Hö | Mud Guard, Front-Rh | |
| 14 | 1 | 337110307/0 | Kåpa, grå bakre | Rear Cover, Grey | |
| 15 | 1 | 337110306/0 | Frontkåpa | Front panel | |
| 17 | 1 | 337110308/0 | Lamphållare | Lamp Holder | |
| 18 | 1 | 337110310/0 | Kåpa | Cover | |
| 19 | 1 | 337110309/0 | Kåpa | Cover | |
| 20 | 1 | 387150000/1 | Instrumentpanel + Elektronikort | Dashboard + Electronic Cards | |
| 25 | 2 | 112728699/0 | Skruv | Screw | |
| 26 | 2 | 112521460/0 | Bricka | Washer | |
| 27 | 2 | 9893-0616-16 | Skruv | Screw | |
| 28 | 2 | 112521460/0 | Bricka | Washer | |
| 29 | 5 | 112735402/0 | Skruv | Screw | |
| 30 | 2 | 125580020/2 | Stift | Stake | |
| 31 | 2 | 112728699/0 | Skruv | Screw | |
| 32 | 1 | 337394200/0 | Handtag | Handle | |
| 33 | 1 | 337785021/0 | Stöd | Support | |
| 34 | 2 | 112000915/0 | Låsring | Benzing Ring | |
| 35 | 1 | 137510300/0 | Stift | Pin | |
| 36 | 1 | 137430100/0 | Fjäder | Spring | |
| 37 | 2 | 112728698/0 | Skruv | Screw | |
| 38 | 1 | 337109532/0 | Kåpa | Cover | |
| 39 | 1 | 337109531/0 | Kåpa | Cover | |
| 40 | 2 | 9893-0616-16 | Skruv | Screw | |
| 41 | 4 | 112523060/0 | Bricka | Washer | |
| 42 | 4 | 9945-0816-16 | Skruv | Screw | |
| 43 | 1 | 9893-0616-16 | Skruv | Screw | |
| 44 | 6 | 1134-4176-01 | Clips | Clips | |
| 45 | 3 | 9893-0616-16 | Skruv | Screw | |
| 46 | 3 | 9893-0616-16 | Skruv | Screw | |
| 47 | 2 | 112815200/0 | Skruv | Screw | |
| 48 | 2 | 9699-0060-02 | Bricka | Washer | |
| 49 | 2 | 112154510/0 | Mutter | Nut | |
| 50 | 6 | 9945-0816-16 | Skruv | Screw | |
| 51 | 2 | 1137-0088-01 | Stödplat | Support Plate | |
| 52 | 4 | 112523060/0 | Bricka | Washer | |
| 53 | 5 | 9893-0616-16 | Skruv | Screw | |
| 54 | 5 | 9893-0616-16 | Skruv | Screw | |



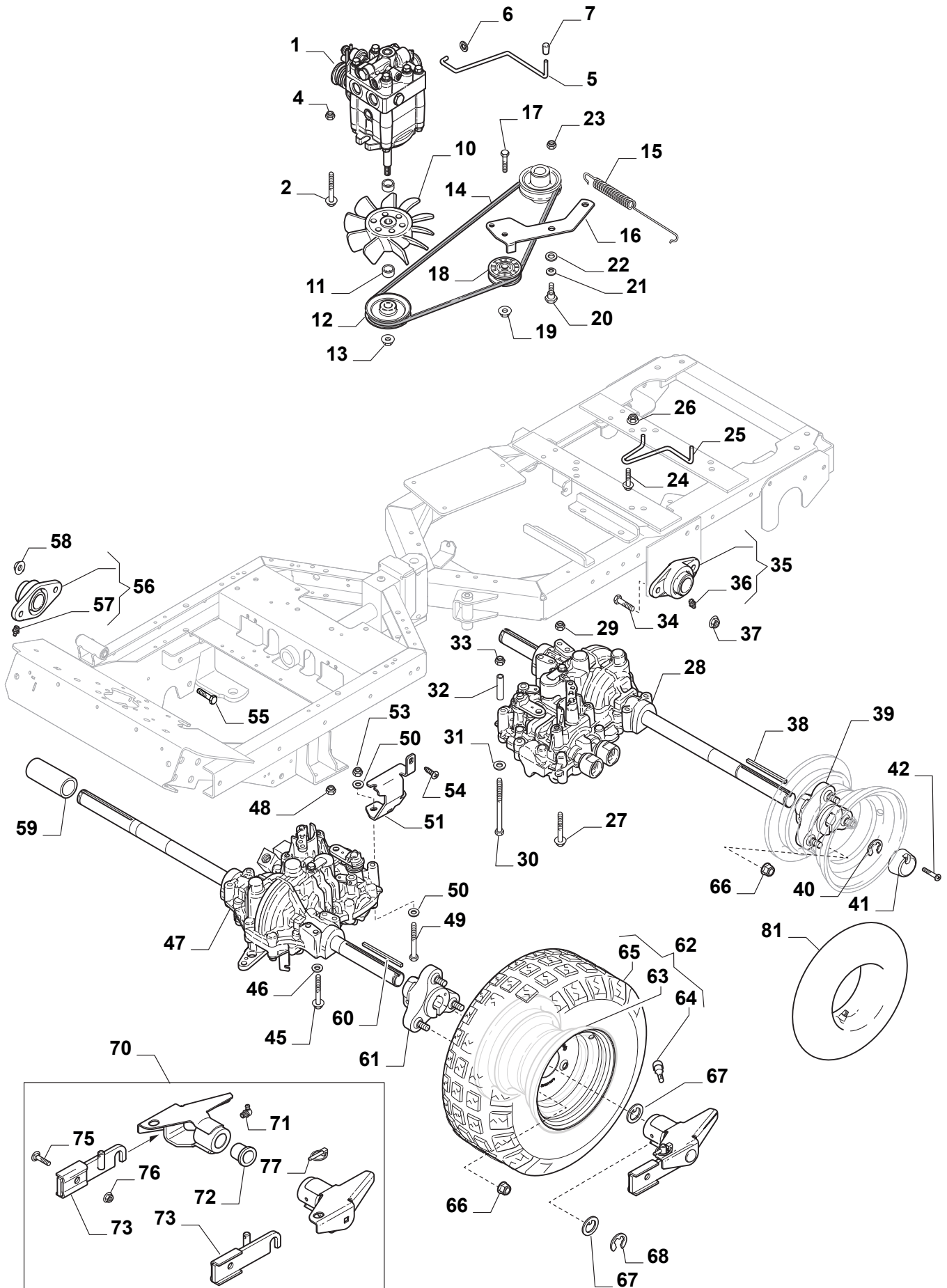
| Utgåva Issue 19 - 2015 | | Kaross Body | | | |
|------------------------------|---------------|-------------------|-----------|-------------|---------------------|
| Pos. Fig. | Antal Q.ty | Art nr Part No | Benämning | Description | Anmärkning Notes |
| 54 | 4 | 1134-4176-01 | Clips | Clips | |
| 55 | 2 | 112728698/0 | Skruv | Screw | |
| 56 | 4 | 9943-0516-16 | Skruv | Screw | |
| 57 | 2 | 1134-4176-01 | Clips | Clips | |
| 58 | 2 | 9893-0616-16 | Skruv | Screw | |
| 60 | 4 | 9945-0816-16 | Skruv | Screw | |
| 61 | 4 | 112523060/0 | Bricka | Washer | |
| 62 | 8 | 9893-0616-16 | Skruv | Screw | |
| 63 | 6 | 112727796/0 | Skruv | Screw | |
| 64 | 5 | 112728698/0 | Skruv | Screw | |



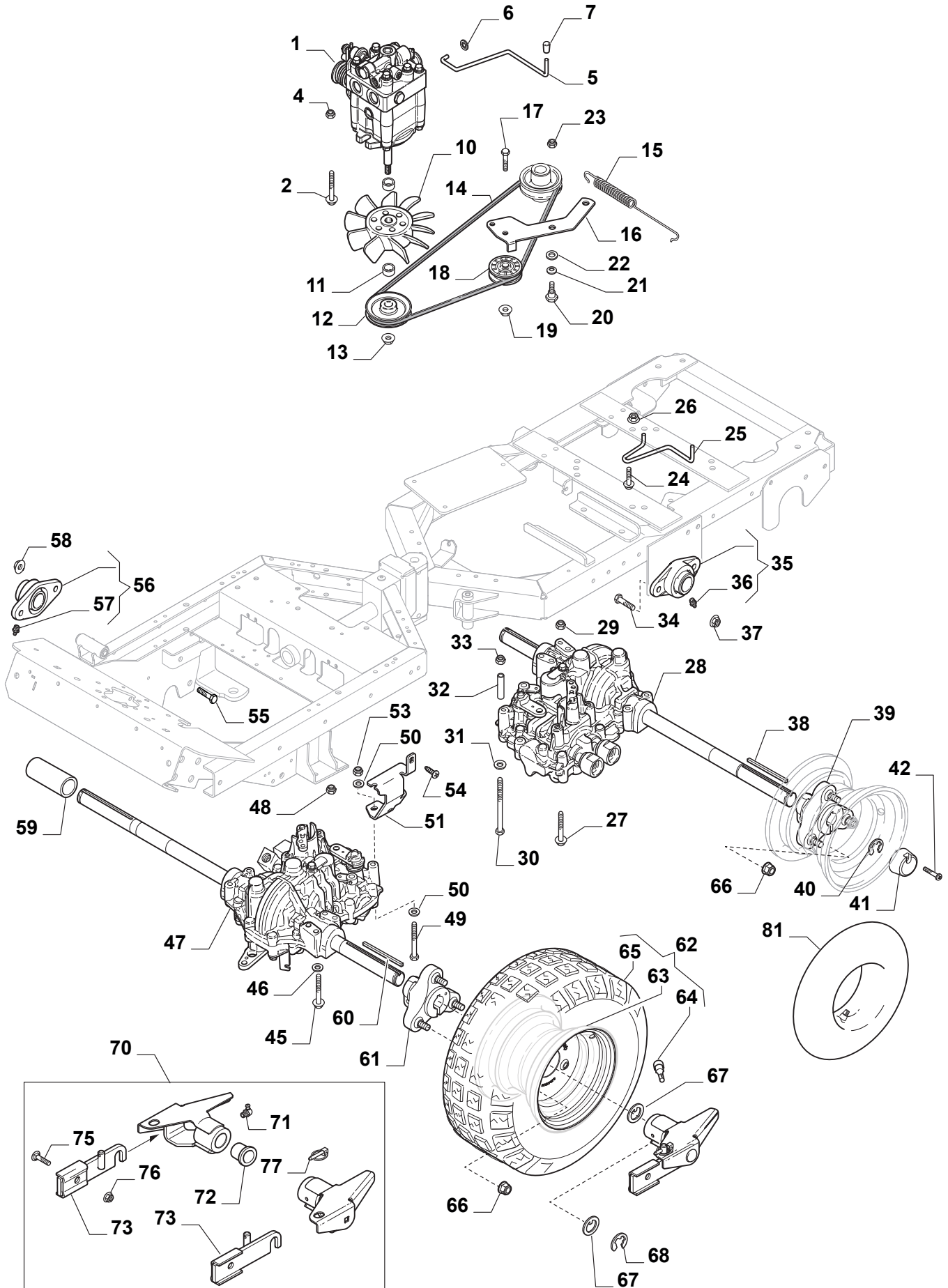
| Utgåva Issue 19 - 2015 | | Ram | | Frame | |
|------------------------------|---------------|-------------------|-----------------|-------------------------|---------------------|
| Pos. Fig. | Antal Q.ty | Art nr Part No | Benämning | Description | Anmärkning Notes |
| 1 | 1 | 387800003/0 | Ram-Fram | Frame-Front | |
| 2 | 1 | 112379511/0 | Smörjnippel | Grease Dispenser | |
| 3 | 1 | 9501-0504-01 | Smörjnippel | Grease Nipple M6 90 | |
| 4 | 1 | 387130000/0 | Clevis | Clevis | |
| 5 | 1 | 9595-0262-00 | Spännstift | Locating Pin | |
| 6 | 1 | 1134-0031-00 | Ledaxelstopp | Pivot Shaft Stop | |
| 7 | 1 | 387800005/0 | Ram bakre | Frame Assy-Rear | |
| 8 | 2 | 112379511/0 | Smörjnippel | Grease Dispenser | |
| 9 | 1 | 1134-5705-01 | Distans | Spacer | |
| 10 | 2 | 9547-0001-00 | Ledlager Ge17Es | Bearing | |
| 11 | 2 | 9959-1025-16 | Skruv | Screw | |
| 12 | 1 | 1134-5988-01 | Centrumaxel | Centre Shaft | |
| 13 | 1 | 9699-0035-02 | Bricka | Washer | |
| 14 | 1 | 387800001/0 | Tankfäste | Tank Support | |
| 16 | 4 | 9945-0816-16 | Skruv | Screw | |
| 17 | 1 | 387507501/0 | Fotsteg | Footboard | |
| 18 | 4 | 9893-0616-16 | Skruv | Screw | |
| 19 | 1 | 387785201/0 | Rättrörsfäste | Steering Column Support | |
| 20 | 4 | 112818700/0 | Skruv | Screw | |
| 21 | 1 | 112760610/0 | Skruv | Screw | |
| 22 | 5 | 112154210/0 | Mutter | Nut | |
| 23 | 4 | 9897-0820-16 | Skruv | Screw | |
| 24 | 1 | 387547011/0 | Fäste | Plate | |
| 25 | 6 | 112155000/0 | Mutter | Nut | |
| 26 | 2 | 9897-0880-12 | Skruv | Screw | |
| 27 | 2 | 1134-1565-08 | Distans | Spacer | |
| 28 | 1 | 387547009/0 | Fäste | Plate | |
| 29 | 1 | 337085501/0 | Slanghållare | Tube Collector | |
| 30 | 10 | 9893-0616-16 | Skruv | Screw | |
| 31 | 1 | 387547007/0 | Fäste | Plate | |
| 32 | 18 | 9893-0616-16 | Skruv | Screw | |
| 33 | 1 | 387547001/0 | Plåt | Plate | |
| 34 | 4 | 112735402/0 | Skruv | Screw | |
| 35 | 1 | 387057500/0 | Fäste | Plate | |
| 36 | 1 | 387547003/0 | Fäste | Plate | |
| 37 | 1 | 387547005/0 | Fäste | Plate | |
| 38 | 2 | 9897-0820-16 | Skruv | Screw | |
| 39 | 2 | 112155000/0 | Mutter | Nut | |
| 40 | 4 | 9893-0616-16 | Skruv | Screw | |
| 41 | 1 | 387559001/0 | Platta | Plate | |
| 42 | 1 | 387457001/0 | Stötfångare | Bumper | |
| 43 | 7 | 112728699/0 | Skruv | Screw | |
| 44 | 1 | 387547017/0 | Fäste | Right Upper Bracket | |
| 45 | 1 | 387547019/0 | Fäste | Left Bracket Support | |
| 46 | 4 | 9945-0816-16 | Skruv | Screw | |
| 47 | 2 | 9945-0825-16 | Skruv | Screw | |
| 48 | 2 | 122671651/0 | Bricka | Washer | |
| 49 | 3 | 1134-1565-09 | Distans | Spacer | |
| 50 | 2 | 1134-0240-00 | Skruv | Screw | |



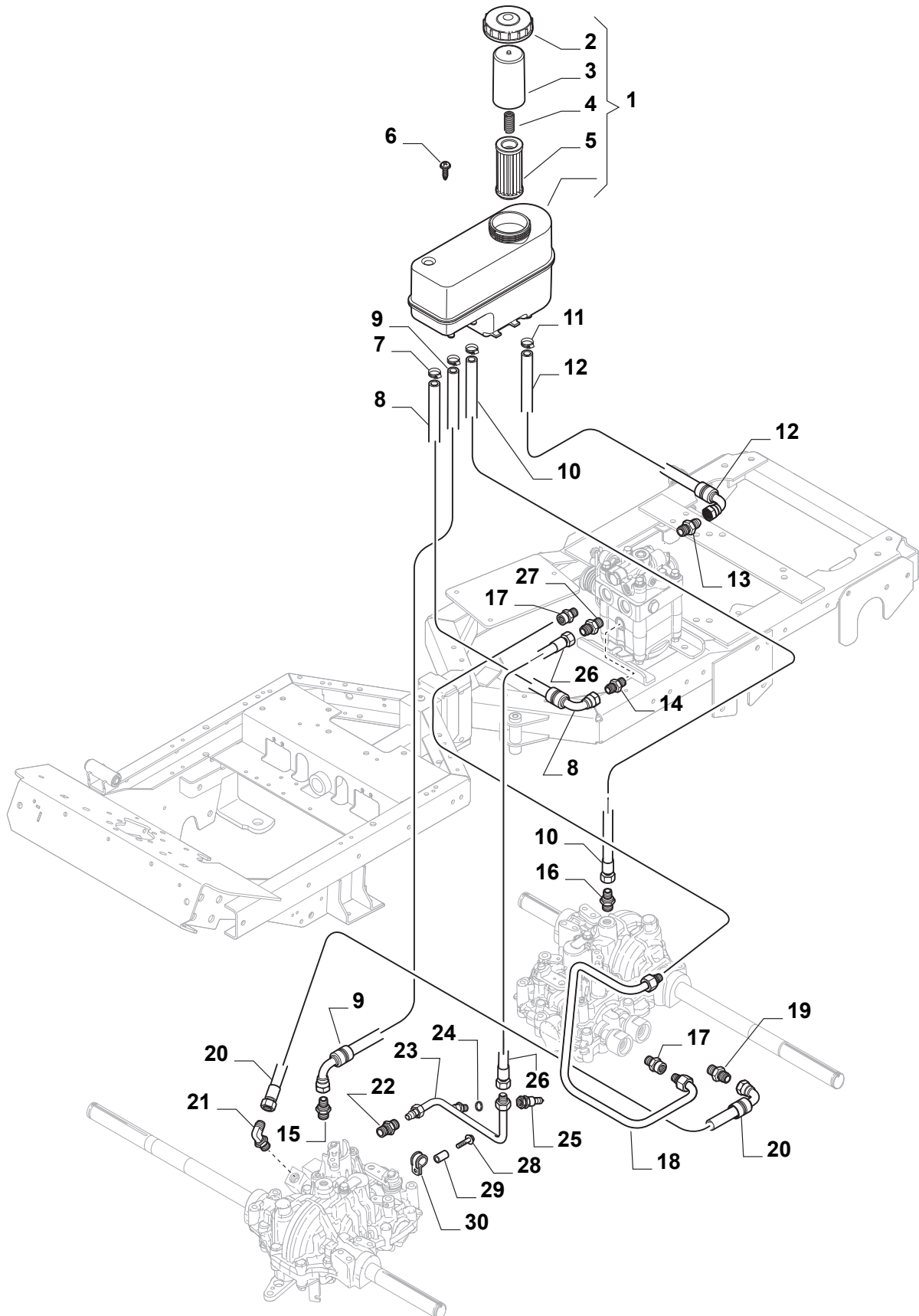
| Utgåva Issue 19 - 2015 | | Ram Frame | | | |
|------------------------------|---------------|-------------------|-----------------|---------------|---------------------|
| Pos. Fig. | Antal Q.ty | Art nr Part No | Benämning | Description | Anmärkning Notes |
| 51 | 2 | 9665-0002-00 | Bricka | Washer | |
| 52 | 2 | 1134-4242-01 | Distansbricka | Washer | |
| 53 | 2 | 112155000/0 | Mutter | Nut | |
| 54 | 2 | 9943-0516-16 | Skruv | Screw | |
| 55 | 2 | 9959-0820-16 | Skruv | Screw | |
| 56 | 1 | 1134-5512-01 | Dragplat5-01 | Towing Plate | |
| 57 | 2 | 112154220/0 | Mutter | Nut | |
| 58 | 1 | 387602503/0 | Skydd | Protection | |
| 59 | 3 | 9945-0825-16 | Skruv | Screw | |
| 60 | 1 | 387602501/0 | Ljuddämparskydd | Muffler Guard | |
| 61 | 1 | 112155015/0 | Mutter | Nut | |



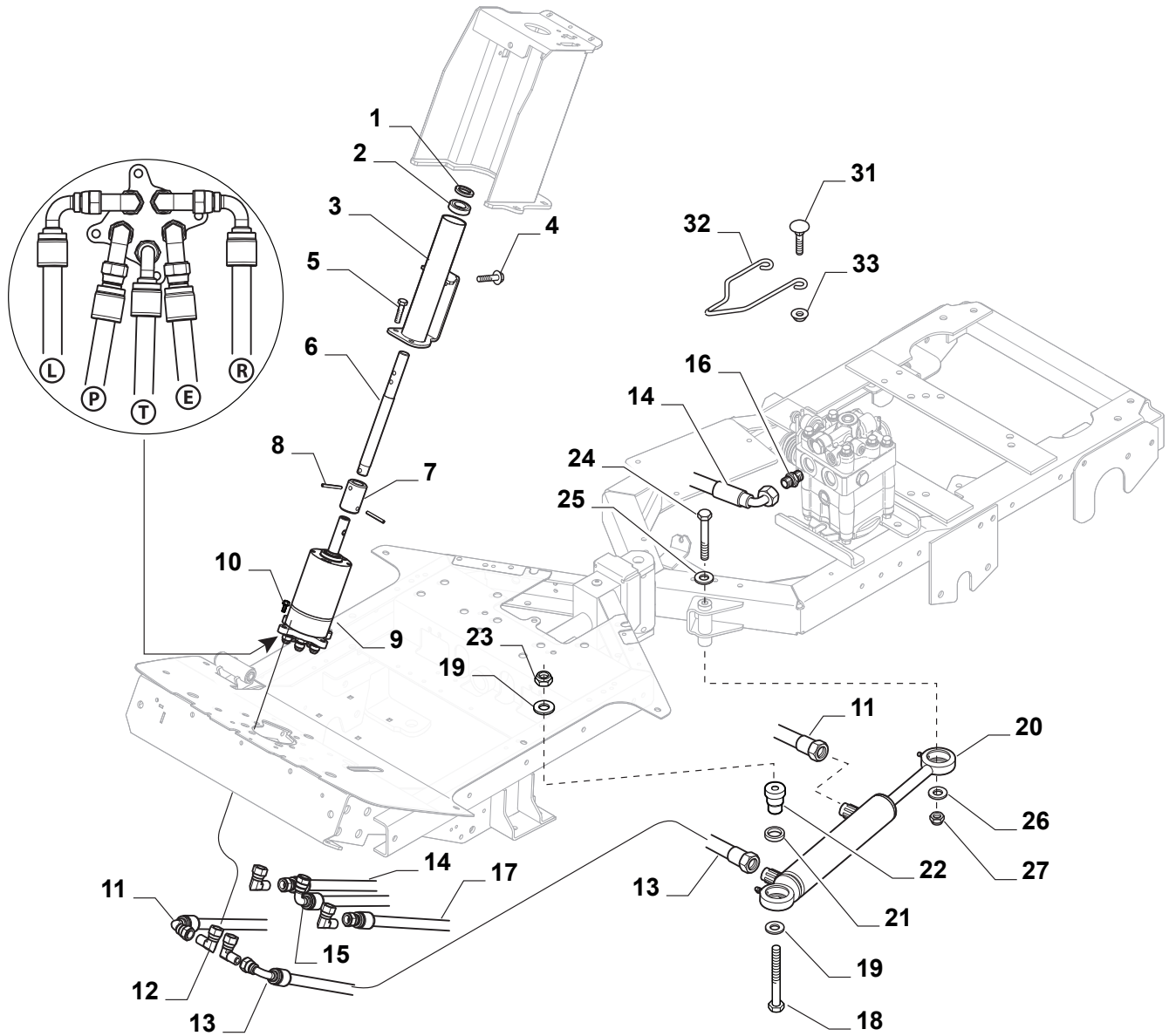
| Utgåva Issue 19 - 2015 | | Transmission (Mekaniska Delar) | | Transmission (Mechanical Parts) | |
|------------------------------|---------------|--------------------------------|---------------------------|---------------------------------|---------------------------|
| Pos. Fig. | Antal Q.ty | Art nr Part No | Benämning | Description | Anmärkning Notes |
| 1 | 1 | 118475000/0 | Hydraulpump | Hydraulic Pump | Kanzaki KPL-13ALP |
| 2 | 2 | 9997-1040-16 | Skruv | Screw | |
| 4 | 2 | 9731-1031-22 | Mutter | Nut | |
| 5 | 1 | 1134-5763-01 | Dragstang | Pull Rod | |
| 6 | 2 | 112604896/0 | Starlock P6493 6 | Crown Fastener | |
| 7 | 1 | 1134-4014-01 | Plastknopp | Knob | |
| 10 | 1 | 1134-4190-01 | Fläkt | Fan | |
| 11 | 2 | 1134-5862-01 | Distans | Spacer | |
| 12 | 1 | 1134-5821-01 | Remskiva | Belt Pulley | |
| 13 | 1 | 9731-1031-22 | Mutter | Nut | |
| 14 | 1 | 1134-9058-01 | Kilrem | V-Belt | Contain belt 9585-0091-01 |
| 15 | 1 | 1134-5713-02 | Fjäder | Spring | |
| 16 | 1 | 1134-5739-01 | Spännarm Kpl 5-01 | Tension Arm Assy | |
| 17 | 1 | 112794300/0 | Skruv | Screw | |
| 18 | 1 | 1134-3459-01 | Spännrulle | Tension Roller | |
| 19 | 1 | 9739-1031-22 | Mutter | Nut | |
| 20 | 1 | 1134-0240-00 | Skruv | Screw | |
| 21 | 1 | 9665-0002-00 | Bricka | Washer | |
| 22 | 1 | 1134-4242-01 | Distansbricka | Washer | |
| 23 | 1 | 112155000/0 | Mutter | Nut | |
| 24 | 1 | 9959-0820-16 | Skruv | Screw | |
| 25 | 1 | 1134-5764-01 | Remstyrning | Belt Guide | |
| 26 | 1 | 112154220/0 | Mutter | Nut | |
| 27 | 2 | 9960-0860-12 | Skruv | Screw | |
| 28 | 1 | 1134-5701-01 | Motoraxel-Bakre (Ktm10G) | Rear Motor Unit (Ktm10G) | Kanzaki KTM 10G |
| 29 | 2 | 112155000/0 | Mutter | Nut | |
| 30 | 1 | 9997-0812-02 | Skruv | Screw | |
| 31 | 1 | 9699-0090-02 | Bricka Bricka | Washer Washer | |
| 32 | 1 | 1134-1565-15 | Distans | Spacer | |
| 33 | 1 | 112155000/0 | Mutter | Nut | |
| 34 | 2 | 9997-1040-16 | Skruv | Screw | |
| 35 | 1 | 1134-5703-01 | Flänslagerenhet | Flange Bearing Unit | |
| 36 | 2 | 112379511/0 | Smörjnippel | Grease Dispenser | |
| 37 | 2 | 9731-1031-22 | Mutter | Nut | |
| 38 | 2 | 1134-3383-02 | Kil | Key | |
| 39 | 2 | 1134-4844-03 | Hjulnav Kpl | Wheel Hub Assy | |
| 40 | 2 | 9653-0002-04 | Sparyttare | Lock Ring | |
| 41 | 2 | 1134-4796-01 | Navkapsel | Hub Cap | |
| 42 | 2 | 9947-0540-19 | Skruv | Screw | |
| 45 | 2 | 112691900/0 | Skruv | Screw | |
| 46 | 2 | 9699-0090-02 | Bricka Bricka | Washer Washer | |
| 47 | 1 | 1134-5702-01 | Motoraxel-Främre (Ktm10F) | Front Motor Unit (Ktm10F) | Kanzaki KTM 10F |
| 48 | 2 | 112155000/0 | Mutter | Nut | |
| 49 | 1 | 9997-0880-16 | Skruv | Screw | |
| 50 | 2 | 9699-0090-02 | Bricka Bricka | Washer Washer | |
| 51 | 1 | 387785205/0 | Motorfäste | Engine Support | |
| 53 | 1 | 112155000/0 | Mutter | Nut | |
| 54 | 2 | 9945-0816-16 | Skruv | Screw | |



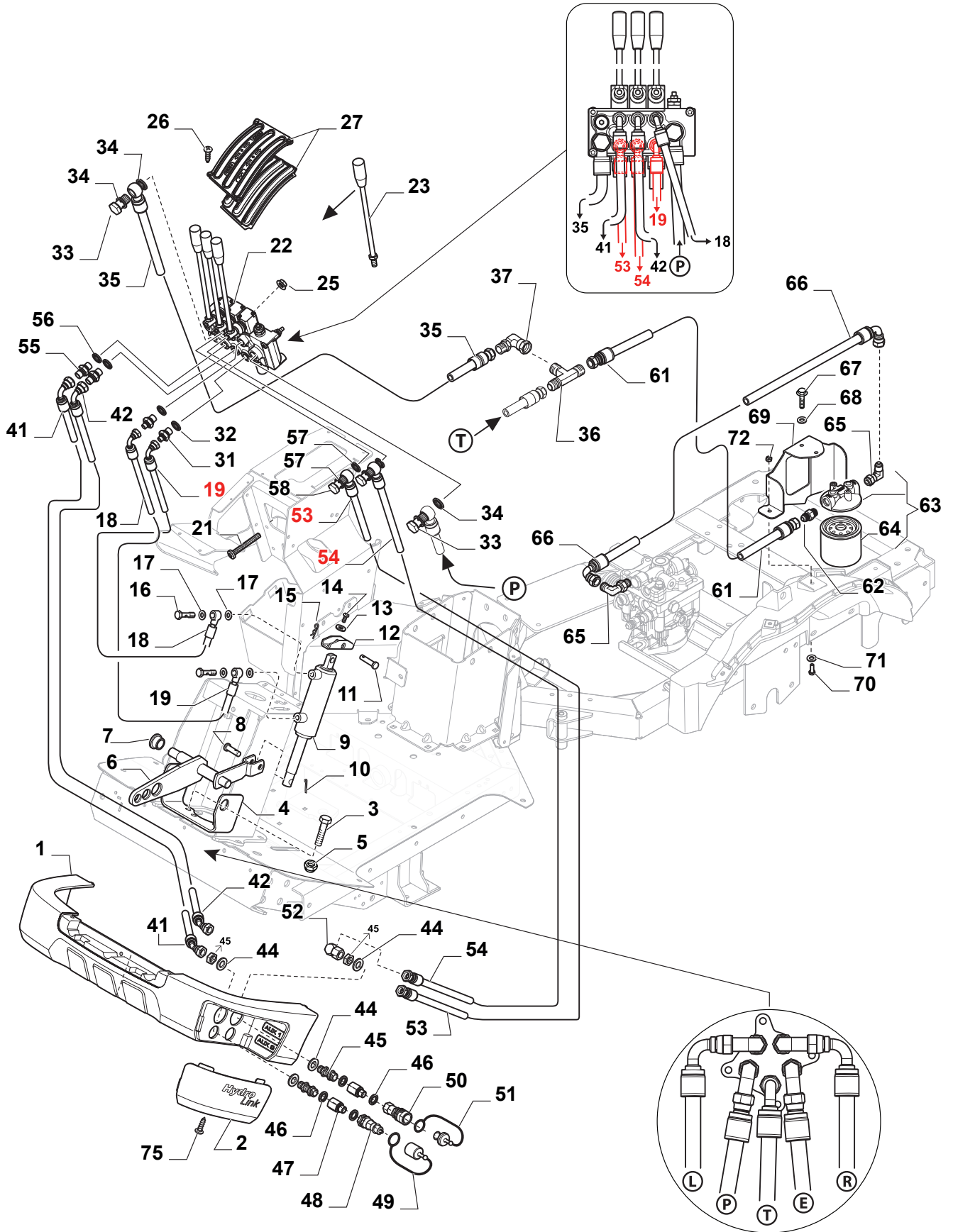
| Utgåva Issue 19 - 2015 | | Transmission (Mekaniska Delar) | | Transmission (Mechanical Parts) | |
|------------------------------|---------------|--------------------------------|--------------------------------|---------------------------------|---------------------|
| Pos. Fig. | Antal Q.ty | Art nr Part No | Benämning | Description | Anmärkning Notes |
| 55 | 2 | 9997-1040-16 | Skruv | Screw | |
| 56 | 1 | 1134-5703-01 | Flänslagerenhet | Flange Bearing Unit | |
| 57 | 2 | 112379511/0 | Smörjnippel | Grease Dispenser | |
| 59 | 2 | 1137-1093-01 | Distans | Spacer | |
| 60 | 2 | 1134-3383-02 | Kil | Key | |
| 61 | 2 | 1134-4844-03 | Hjulnav Kpl | Wheel Hub Assy | |
| 62 | 4 | 387680309/0 | Hjul kpl | Wheel Assy | |
| 63 | 4 | 187000454/0 | Fälg | Rim | |
| 64 | 4 | 9545-0500-00 | Ventil | Valve Assy. | |
| 65 | 4 | 9545-0124-01 | Däck | Tyre | |
| 66 | 12 | 9731-1031-22 | Mutter | Nut | |
| 67 | 4 | 1134-5797-01 | Bricka | Washer | |
| 68 | 2 | 9731-1031-22 | Mutter | Nut | |
| 68 | 2 | 9653-0002-04 | Sparyttare | Lock Ring | |
| 70 | 1 | 13-0993-61 | Rac Snabbfäste 4Wd Park | Rac Quick Connection 4Wd | |
| 71 | 2 | 9501-0502-00 | Smörjnippel | Grease Joint | |
| 72 | 4 | 1134-5686-01 | Bussning | Bearing | |
| 73 | 1 | 1134-7465-01 | Sats-Fästen (Vä+Hö Inkl Skruv) | Attachment Kit | |
| 75 | 2 | 9898-1035-16 | Skruv | Screw | |
| 76 | 2 | 9739-1031-22 | Mutter | Nut | |
| 77 | 2 | 1137-0077-01 | Lassprint | Locking Pin | |



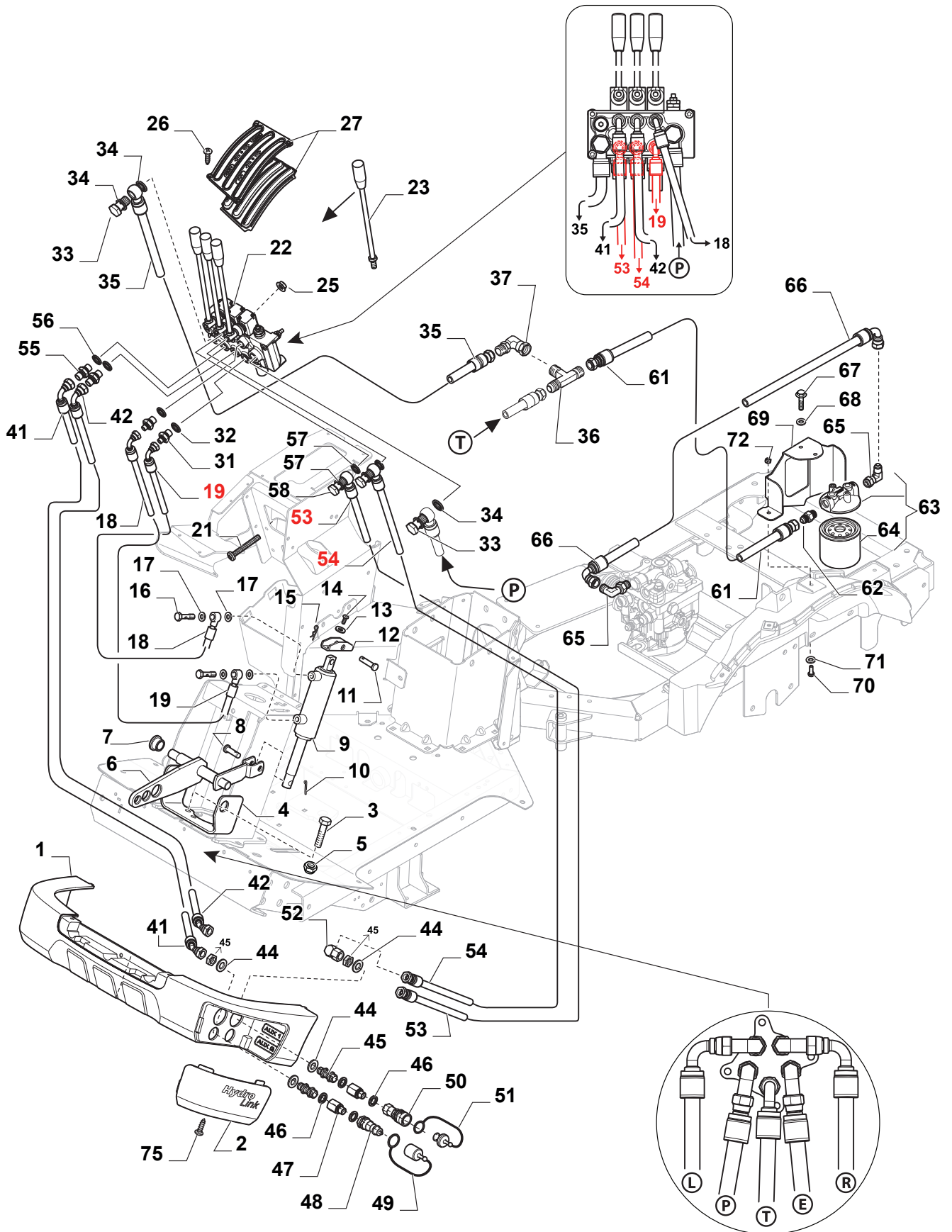
| Utgåva Issue 19 - 2015 | | Transmission (Hydrauliska Delar) | | Transmission (Hydraulic Parts) | |
|------------------------------|---------------|----------------------------------|-------------------------|--------------------------------|---------------------|
| Pos. Fig. | Antal Q.ty | Art nr Part No | Benämning | Description | Anmärkning Notes |
| 1 | 1 | 387735253/0 | Oljetank | Oil Tank | |
| 2 | 1 | 1137-0272-01 | Tanklock | Tank Cap | |
| 3 | 1 | 1134-5963-01 | Hölje-Oljefilter | Cover-Oil Filter | |
| 4 | 1 | 1134-5964-01 | Fjäder | Spring | |
| 5 | 1 | 118803490/0 | Oljefilter | Oil Filter | |
| 6 | 1 | 112728697/0 | Skruv | Screw | |
| 7 | 3 | 9578-0023-04 | Slangklämma 15*8 (Vit) | Hose Clamp | |
| 8 | 1 | 1137-0215-01 | Hydraulslang | Hydraulic Hose | |
| 9 | 1 | 1137-0215-02 | Hydraulslang | Hydraulic Hose | |
| 10 | 1 | 1137-0211-01 | Hydraulslang | Hydraulic Hose | |
| 11 | 1 | 9578-0023-05 | Slangklämma 18,0/8 | Hose Clamp | |
| 12 | 1 | 1137-0220-01 | Hydraulslang | Hydraulic Hose | |
| 13 | 1 | 1134-5810-01 | Adapter | Hydraulic Coupling | |
| 14 | 1 | 1134-4282-01 | Hydraulnippel | Hydraulic Nipple | |
| 15 | 1 | 1134-5809-01 | Adapter | Hydraulic Coupling | |
| 16 | 1 | 1134-5809-01 | Adapter | Hydraulic Coupling | |
| 17 | 2 | 1134-5808-01 | Skärringskoppling | Hydraulic Coupling | |
| 18 | 1 | 387869500/0 | Oljeslang | Oil Hose | |
| 19 | 1 | 1134-5810-01 | Adapter | Hydraulic Coupling | |
| 20 | 1 | 387869512/0 | Oljeslang | Oil Hose | |
| 21 | 1 | 1134-5807-01 | Vinkeladapter | Hydraulic Angle Coupling | |
| 22 | 1 | 1134-5875-01 | Skärringskoppling | Hydraulic Coupling | |
| 23 | 1 | 1134-6039-01 | Hydraulrör Smst | Hydraulic Pipe Assy | |
| 24 | 1 | 1134-4948-01 | Bricka | Washer | |
| 25 | 1 | 1134-6042-01 | Snabbkoppling-Hane 1/4" | Quick Coupling-Male | |
| 26 | 1 | 387869513/0 | Oljeslang | Oil Hose | |
| 27 | 1 | 1134-5810-01 | Adapter | Hydraulic Coupling | |
| 28 | 1 | 9578-0028-01 | Rörklammer | Tube Clamp | |
| 29 | 1 | 9959-0825-16 | Skruv | Screw | |
| 30 | 1 | 1134-1565-09 | Distans | Spacer | |



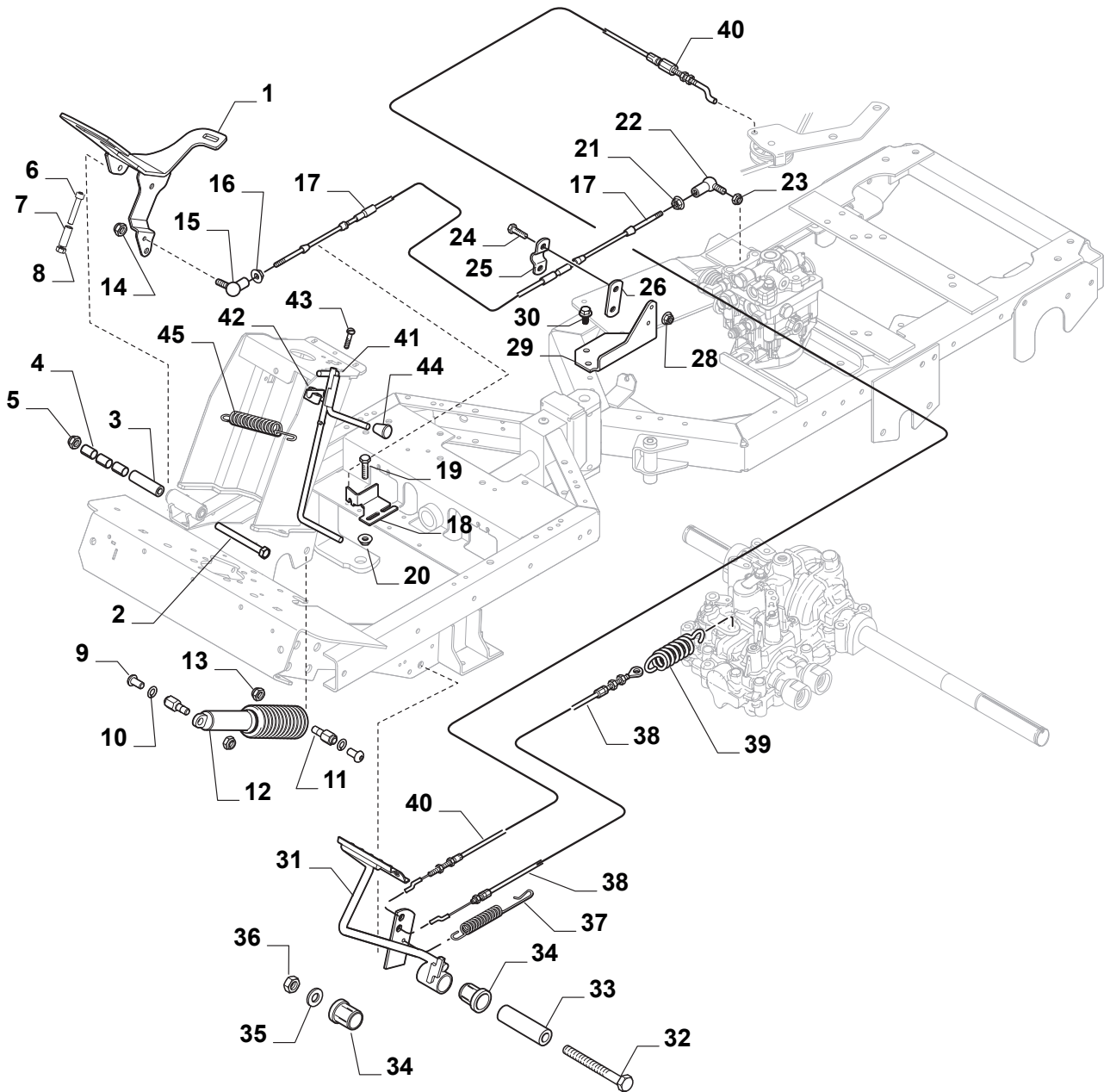
| Utgåva Issue 19 - 2015 | | Styrning Steering | | | |
|------------------------------|---------------|----------------------|--------------------------------|------------------|---------------------|
| Pos. Fig. | Antal Q.ty | Art nr Part No | Benämning | Description | Anmärkning Notes |
| 1 | 1 | 9695-0011-00 | Bricka | Washer | |
| 2 | 1 | 9549-0017-00 | Kullager | Ball Bearing | |
| 3 | 1 | 387650001/0 | Förstärkning | Stiffening | |
| 4 | 1 | 9945-0816-16 | Skruv | Screw | |
| 5 | 3 | 9939-0612-16 | Skruv | Screw | |
| 6 | 1 | 1137-0045-01 | Rattstang | Steering Rod | |
| 7 | 1 | 137040601/0 | Distans | Spacer | |
| 8 | 2 | 9595-0256-01 | Spännstift 6X28 Typ N Iso 8750 | Locating Pin | |
| 9 | 1 | 187305500/0 | Momentförstärkare | Steering Booster | |
| 10 | 4 | 9959-0820-16 | Skruv | Screw | |
| 11 | 1 | 387869501/0 | Oljeslang | Oil Hose | |
| 12 | 4 | 112000401/0 | Överfall | Tube Connection | |
| 13 | 1 | 387869502/0 | Oljeslang | Oil Hose | |
| 14 | 1 | 387869507/0 | Oljeslang | Oil Hose | |
| 15 | 1 | 387869506/0 | Oljeslang | Oil Hose | |
| 16 | 1 | 1134-4282-01 | Hydraulnippel | Hydraulic Nipple | |
| 17 | 1 | 387869508/0 | Oljeslang | Oil Hose | |
| 18 | 1 | 112760572/0 | Skruv | Screw | |
| 19 | 2 | 112521360/0 | Bricka | Washer | |
| 20 | 1 | 187584000/0 | Kolv | Piston | |
| 21 | 1 | 1134-0052-00 | Distans | Spacer | |
| 22 | 1 | 137510301/0 | Stift | Pin | |
| 23 | 1 | 112156602/0 | Mutter | Nut | |
| 24 | 1 | 112692080/0 | Skruv | Screw | |
| 25 | 1 | 9699-0090-02 | Bricka Bricka | Washer Washer | |
| 26 | 1 | 112524006/0 | Bricka | Washer | |
| 27 | 1 | 112155000/0 | Mutter | Nut | |
| 31 | 2 | 112815200/0 | Skruv | Screw | |
| 32 | 1 | 137295200/0 | Bygel | Guide | |
| 33 | 2 | 9739-0631-22 | Mutter | Nut | |



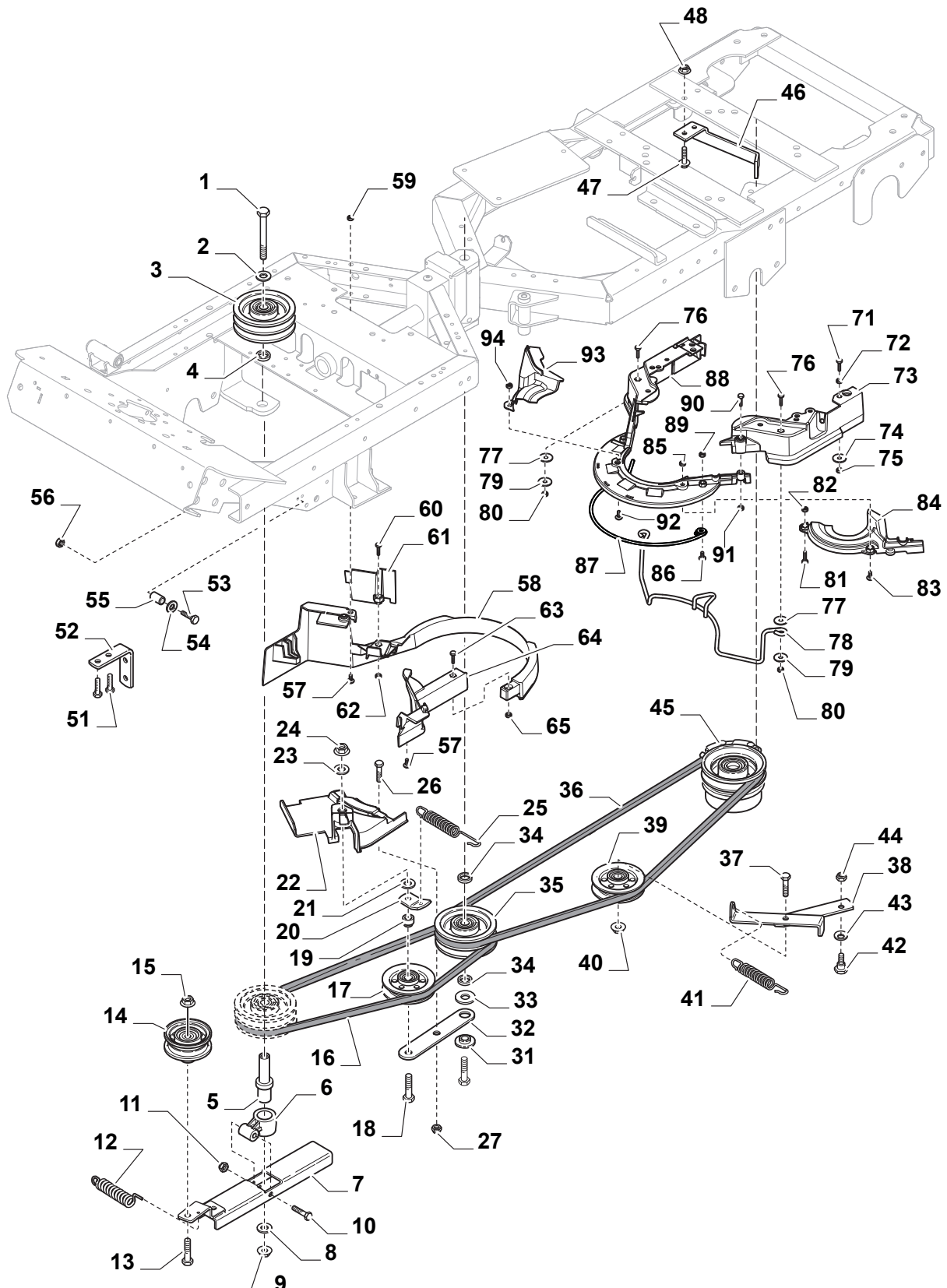
| Utgåva Issue 19 - 2015 | | Hydraullyft Hydraulic Lift | | | |
|------------------------------|---------------|-------------------------------|-----------------------------|--------------------------|---------------------|
| Pos. Fig. | Antal Q.ty | Art nr Part No | Benämning | Description | Anmärkning Notes |
| 1 | 1 | 337502501/0 | Stötfångare | Bumper | |
| 2 | 1 | 337109530/0 | Kåpa | Cover | |
| 3 | 2 | 112794300/0 | Skruv | Screw | |
| 4 | 1 | 337774007/0 | Uppsamlare Fulcrum Klämma | Fulcrum Clamp | |
| 5 | 2 | 112156602/0 | Mutter | Nut | |
| 6 | 1 | 387256051/0 | Lyftarm | Lift Lever | |
| 7 | 2 | 1134-2684-01 | Lager | Bearing | |
| 8 | 1 | 1134-4817-01 | Stift | Pin | |
| 9 | 1 | 1137-0071-01 | Hydraulcylinder | Hydraulic Cylinder | |
| 10 | 1 | 9599-0054-02 | SaxSprint | Split Pin | |
| 11 | 1 | 1134-4816-01 | Stift | Pin | |
| 12 | 1 | 1134-4815-01 | Cylinderfäste | Cylinder Bracket | |
| 13 | 4 | 112521330/0 | Bricka | Washer | |
| 14 | 2 | 9893-0616-16 | Skruv | Screw | |
| 14 | 1 | 9598-0002-02 | Spännstift | Elastic Pin | |
| 16 | 2 | 1134-4826-01 | Banjoskruv (R1/8") | Banjo Bolt | |
| 17 | 4 | 1134-4947-01 | Bricka | Washer | |
| 18 | 1 | 1137-0193-01 | Hydraulslang 90-Banjo 3/16" | Hydraulic Hose | |
| 19 | 1 | 1137-0193-01 | Hydraulslang 90-Banjo 3/16" | Hydraulic Hose | |
| 21 | 3 | 112735669/0 | Skruv | Screw | |
| 22 | 1 | 187145000/0 | Handspaksventil | Hand Operated Valve | Include pos. 23 |
| 23 | 3 | 187318253/0 | Spak | Operating lever | |
| 25 | 3 | 112292102/0 | Mutter | Nut | |
| 26 | 4 | 112728706/0 | Skruv | Screw | |
| 27 | 1 | 387559002/0 | Platta | Plate | |
| 31 | 2 | 1134-4824-01 | Adapter | Adapter | |
| 32 | 6 | 1134-4948-01 | Bricka | Washer | |
| 33 | 2 | 1134-6323-01 | Banjoskruv 3/8" | Banjo Bolt 3/8 | |
| 34 | 4 | 1134-4948-02 | Bricka | Washer | |
| 35 | 1 | 387869509/0 | Oljeslang | Oil Hose | |
| 36 | 1 | 112375000/0 | Överfall | Tube Connection | |
| 37 | 1 | 112000401/0 | Överfall | Tube Connection | |
| 41 | 1 | 387869503/0 | Oljeslang | Oil Hose | |
| 42 | 1 | 387869503/0 | Oljeslang | Oil Hose | |
| 44 | 8 | 112522050/0 | Bricka | Washer | |
| 45 | 4 | 1134-7296-01 | Skottgenomgång (1/4") | Hydraulic Coupling (1/4) | |
| 46 | 8 | 1134-4948-01 | Bricka | Washer | |
| 47 | 4 | 112446500/0 | Överfall | Tube Connection | |
| 48 | 2 | 1134-6042-01 | Snabbkoppling-Hane 1/4" | Quick Coupling-Male | |
| 49 | 2 | 1134-7175-01 | Dammskydd 1/4" | Plastic Cap | |
| 51 | 2 | 1134-7173-01 | Dammskydd 1/4" | Plastic Plug | |
| 52 | 2 | 112000400/0 | Överfall | Tube Connection | |
| 53 | 1 | 387869504/0 | Oljeslang | Oil Hose | |
| 54 | 1 | 387869504/0 | Oljeslang | Oil Hose | |
| 55 | 2 | 112375001/0 | Överfall | Tube Connection | |
| 56 | 2 | 1134-4948-01 | Bricka | Washer | |
| 57 | 4 | 1134-4948-01 | Bricka | Washer | |
| 58 | 2 | 112320450/0 | Mutter | Nut | |
| 61 | 1 | 387869510/0 | Överfall | Tube Connection | |



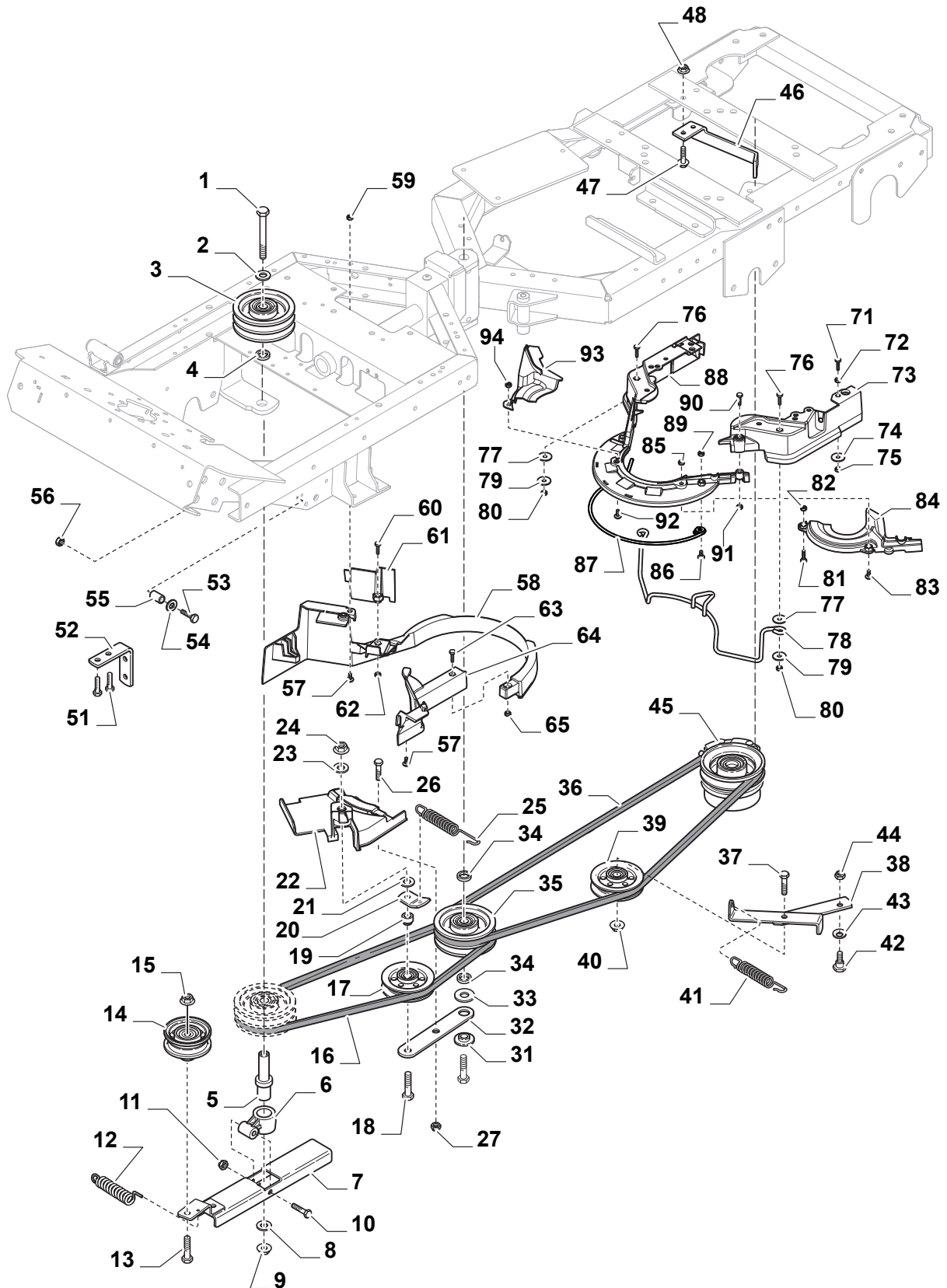
| Utgåva Issue 19 - 2015 | | Hydraullyft Hydraulic Lift | | | |
|------------------------------|---------------|-------------------------------|-------------------|--------------------------|---------------------|
| Pos. Fig. | Antal Q.ty | Art nr Part No | Benämning | Description | Anmärkning Notes |
| 62 | 1 | 1134-4282-01 | Hydraulnippel | Hydraulic Nipple | |
| 63 | 1 | 1134-4587-01 | Hydraulfilter Kpl | Hydraulic Filter Assy | Include pos. 64 |
| 64 | 1 | 1134-4109-01 | Oljefilter | Oil Filter | |
| 65 | 2 | 112000402/0 | Vinkeladapter | Hydraulic Angle Coupling | |
| 66 | 1 | 387869505/0 | Oljeslang | Oil Hose | |
| 67 | 2 | 9931-3516-16 | Skruv | Screw | |
| 68 | 4 | 112523040/0 | Bricka | Washer | |
| 69 | 1 | 337785011/0 | Fäste | Support | |
| 70 | 2 | 112791200/1 | Skruv | Screw | |
| 71 | 2 | 112523040/0 | Bricka | Washer | |
| 72 | 2 | 112154510/0 | Mutter | Nut | |
| 75 | 1 | 112735598/0 | Skruv | Screw | |



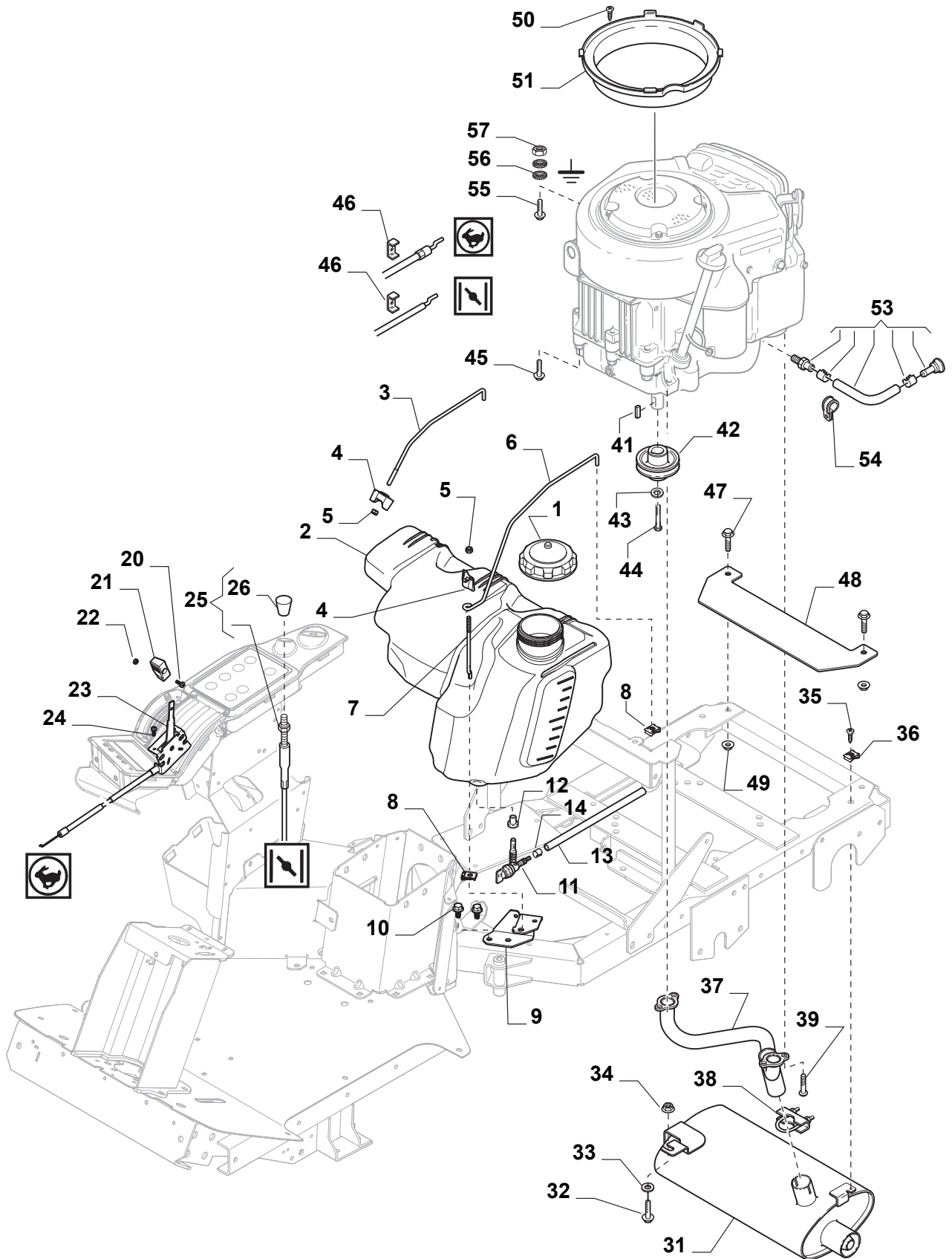
| Utgåva Issue 19 - 2015 | | Fotreglage Foot Controls | | | |
|------------------------------|---------------|-----------------------------|----------------------------|----------------------------|---------------------|
| Pos. Fig. | Antal Q.ty | Art nr Part No | Benämning | Description | Anmärkning Notes |
| 1 | 1 | 387500001/0 | Drivpedal | Drive Pedal | |
| 2 | 1 | 9997-0880-16 | Skruv | Screw | |
| 3 | 1 | 137160000/0 | Distans | Spacer | |
| 4 | 3 | 137040600/0 | Bussning | Bush | |
| 5 | 1 | 112155015/0 | Mutter | Nut | |
| 6 | 1 | 112760520/0 | Skruv | Screw | |
| 7 | 1 | 1134-1565-14 | Distans | Spacer | |
| 8 | 1 | 112155015/0 | Mutter | Nut | |
| 9 | 2 | 112760600/0 | Skruv | Screw | |
| 10 | 2 | 112583500/0 | Lasbricka | Grower | |
| 11 | 2 | 137510302/0 | Stift | Pin | |
| 12 | 1 | 1134-4187-01 | Dämpare | Damper | |
| 13 | 2 | 112155000/0 | Mutter | Nut | |
| 14 | 1 | 112154330/0 | Mutter | Nut | |
| 15 | 1 | 9570-0001-00 | Vinkellänk As8 Din 71802M5 | Elbow Link | |
| 16 | 1 | 9739-0531-22 | Mutter | Nut | |
| 17 | 1 | 187000200/0 | Kabel | Cable | |
| 18 | 1 | 337546551/0 | Plåt | Plate | |
| 19 | 2 | 9959-0620-16 | Skruv | Screw | |
| 20 | 2 | 9739-0631-22 | Mutter | Nut | |
| 21 | 1 | 9739-0531-22 | Mutter | Nut | |
| 22 | 1 | 9570-0001-00 | Vinkellänk As8 Din 71802M5 | Elbow Link | |
| 23 | 1 | 112154330/0 | Mutter | Nut | |
| 24 | 2 | 112789008/0 | Skruv | Screw | |
| 25 | 1 | 1134-0266-00 | Fästbygel | Attaching Clamp | |
| 26 | 1 | 1134-0267-00 | Underläggsbleck | Clamp Plate | |
| 29 | 1 | 387773507/0 | Fäste | Clamp | |
| 28 | 2 | 9739-0531-22 | Mutter | Nut | |
| 30 | 2 | 9945-0816-16 | Skruv | Screw | |
| 31 | 1 | 387500003/0 | Bromspedal Kpl | Brake Pedal Assy | |
| 32 | 1 | 9997-1070-12 | Skruv | Screw | |
| 33 | 1 | 1134-5677-02 | Distans | Spacer | |
| 34 | 2 | 1134-0068-00 | Lager (D20,4) | Bearing (D=20,4) | |
| 35 | 1 | 9699-0030-02 | Bricka | Washer | |
| 36 | 1 | 9739-1031-22 | Mutter | Nut | |
| 37 | 1 | 4231-0013-00 | Fjäder | Spring | |
| 38 | 1 | 1134-6020-01 | Motorbromswire | Cable, Thread Engine Brake | |
| 39 | 1 | 1134-5989-01 | Fjäder | Spring | |
| 40 | 1 | 1134-5815-02 | Wire | Cable | |
| 41 | 1 | 387000301/0 | Stång | Rod | |
| 42 | 1 | 1134-4002-01 | Fäste | Brake Rod Attachment | |
| 43 | 3 | 112728697/0 | Skruv | Screw | |
| 44 | 1 | 1134-2786-01 | Knopp | Knob | |
| 45 | 1 | 1131-1497-01 | Fjäder | Brake Spring | |



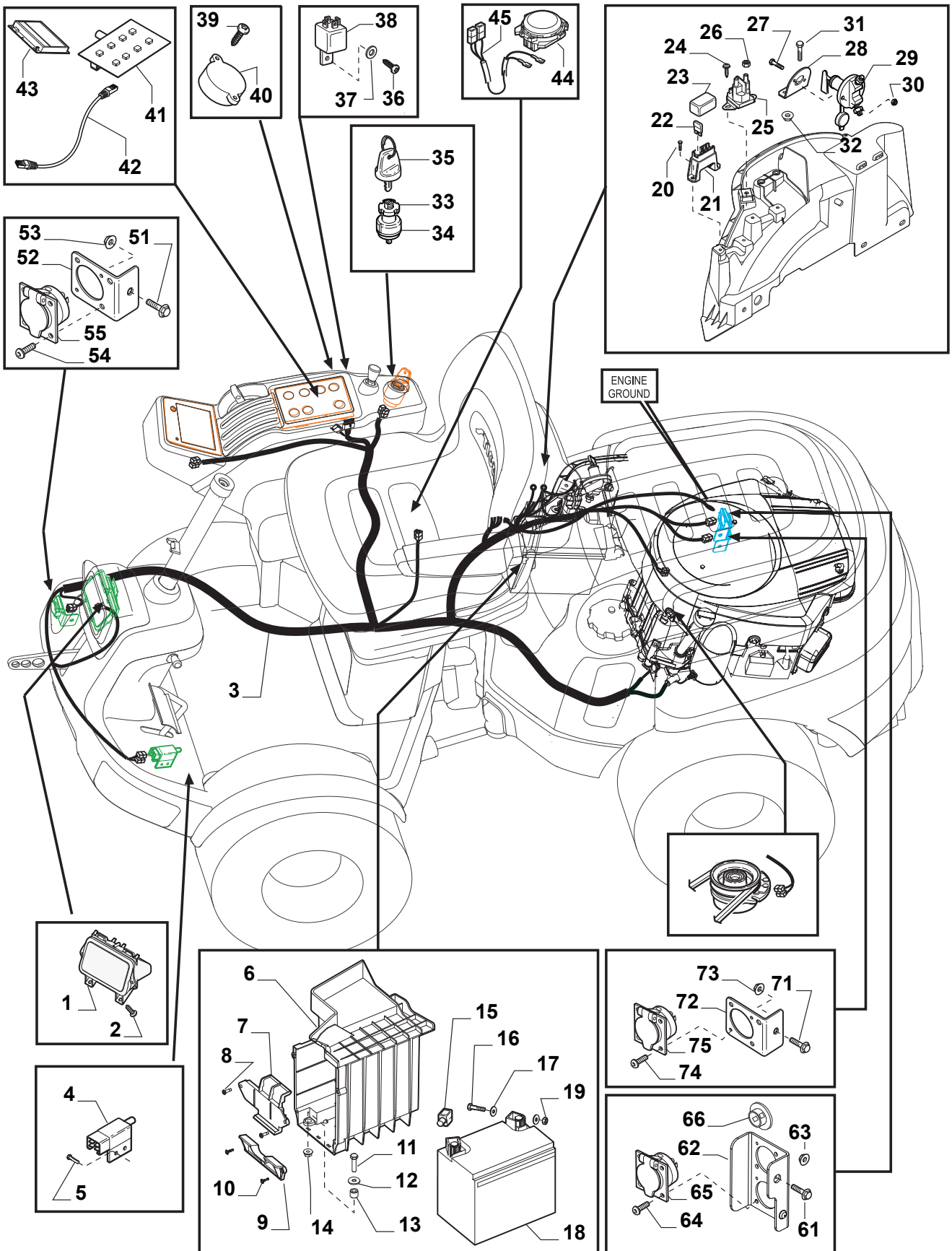
| Utgåva Issue 19 - 2015 | | Power Take-Off | | Power Take-Off | |
|------------------------------|---------------|-------------------|----------------------|------------------------|---------------------------|
| Pos. Fig. | Antal Q.ty | Art nr Part No | Benämning | Description | Anmärkning Notes |
| 1 | 1 | 9997-1011-06 | Skruv | Screw | |
| 2 | 1 | 9699-0030-02 | Bricka | Washer | |
| 3 | 1 | 1137-0209-01 | Centrumremskiva Smst | Centre Belt Pulley | |
| 4 | 1 | 1134-0052-00 | Distans | Spacer | |
| 5 | 1 | 1134-5663-01 | Axel | Shaft | |
| 6 | 1 | 1134-6314-01 | Spännarmsfäste | Tension Arm Attachment | |
| 7 | 1 | 1134-5660-01 | Spännarm Kpl 5-01 | Tension Arm Assy | |
| 8 | 1 | 9699-0030-02 | Bricka | Washer | |
| 9 | 1 | 9739-1031-22 | Mutter | Nut | |
| 10 | 1 | 112689515/0 | Skruv | Screw | |
| 11 | 1 | 112154510/0 | Mutter | Nut | |
| 12 | 1 | 1134-5824-01 | Fjäder | Spring | |
| 13 | 1 | 112794900/0 | Skruv | Screw | |
| 14 | 1 | 1134-5823-01 | Spännrulle Kpl | Tension Roller Assy | |
| 15 | 1 | 9739-1031-22 | Mutter | Nut | |
| 16 | 1 | 1134-9098-01 | Drivrem | Drive Belt | Contain belt 9585-0148-01 |
| 17 | 1 | 1134-3663-01 | Remskiva | Tension Wheel | |
| 18 | 1 | 9997-1070-12 | Skruv | Screw | |
| 19 | 1 | 1134-1888-06 | Distans | Spacer | |
| 20 | 1 | 337546545/0 | Fjäder | Spring | |
| 21 | 1 | 137038000/0 | Bussning | Bush | |
| 22 | 1 | 337600001/2 | Skydd | Protection | |
| 23 | 1 | 9699-0035-02 | Bricka | Washer | |
| 24 | 1 | 9739-1031-22 | Mutter | Nut | |
| 25 | 1 | 1134-5713-04 | Fjäder | Spring | |
| 26 | 1 | 112674700/0 | Skruv | Screw | |
| 27 | 1 | 112154510/0 | Mutter | Nut | |
| 31 | 1 | 1134-0222-00 | Bricka | Washer | |
| 32 | 1 | 1134-1730-02 | Spännhjulssarm | Tensioning Wheel Arm | |
| 33 | 1 | 9699-0109-02 | Bricka | Washer | |
| 34 | 2 | 1134-0052-00 | Distans | Spacer | |
| 35 | 1 | 1137-0209-01 | Centrumremskiva Smst | Centre Belt Pulley | |
| 36 | 1 | 1134-9097-01 | Drivrem | Drive Belt | Contain belt 9585-0147-01 |
| 37 | 1 | 112794900/0 | Skruv | Screw | |
| 38 | 1 | 1134-5742-01 | Spännarm | Tension Arm | |
| 39 | 1 | 1134-3663-01 | Remskiva | Tension Wheel | |
| 40 | 1 | 9739-1031-22 | Mutter | Nut | |
| 41 | 1 | 1134-5713-03 | Fjäder | Spring | |
| 42 | 1 | 1134-0240-00 | Skruv | Screw | |
| 43 | 1 | 9665-0002-00 | Bricka | Washer | |
| 44 | 1 | 112155000/0 | Mutter | Nut | |
| 45 | 1 | 1134-5674-01 | Magnetkoppling | Magnet Clutch | |
| 46 | 1 | 1134-6452-01 | Reaktionsstag (5-01) | Strut | |
| 47 | 2 | 9959-0820-16 | Skruv | Screw | |
| 48 | 2 | 112154220/0 | Mutter | Nut | |
| 51 | 2 | 9945-0816-16 | Skruv | Screw | |
| 52 | 1 | 1134-5112-01 | Fjäder | Spring | |



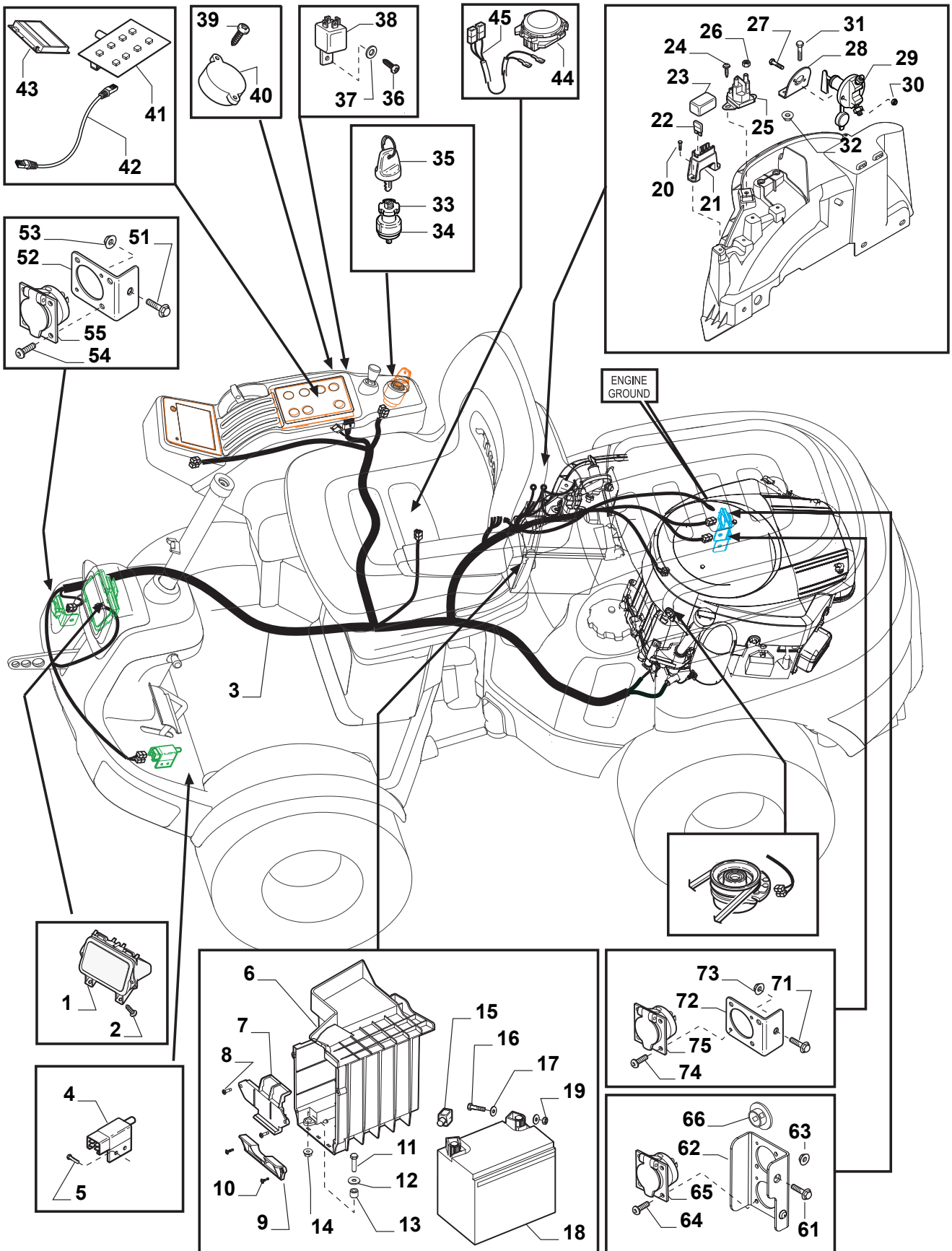
| Utgåva Issue 19 - 2015 | | Power Take-Off | | Power Take-Off | |
|------------------------------|---------------|-------------------|-------------|------------------|---------------------|
| Pos. Fig. | Antal Q.ty | Art nr Part No | Benämning | Description | Anmärkning Notes |
| 53 | 2 | 112735669/0 | Skruv | Screw | |
| 54 | 2 | 112523050/0 | Bricka | Washer | |
| 55 | 2 | 1134-1565-14 | Distans | Spacer | |
| 56 | 2 | 112154510/0 | Mutter | Nut | |
| 57 | 2 | 9893-0616-16 | Skruv | Screw | |
| 58 | 1 | 337060002/0 | Remskydd | Belt Cover | |
| 59 | 2 | 112154510/0 | Mutter | Nut | |
| 60 | 1 | 112791500/0 | Skruv | Screw | |
| 61 | 1 | 337060007/0 | Skydd | Protection Cover | |
| 62 | 1 | 112154510/0 | Mutter | Nut | |
| 63 | 1 | 112791500/0 | Skruv | Screw | |
| 64 | 1 | 337060008/0 | Skydd | Protection Cover | |
| 65 | 1 | 112154510/0 | Mutter | Nut | |
| 71 | 1 | 112791500/0 | Skruv | Screw | |
| 72 | 1 | 112292102/0 | Mutter | Nut | |
| 73 | 1 | 337060006/0 | Remskydd | Belt Cover | |
| 74 | 1 | 112523050/0 | Bricka | Washer | |
| 75 | 1 | 112154510/0 | Mutter | Nut | |
| 76 | 2 | 112791500/0 | Skruv | Screw | |
| 77 | 2 | 112524010/0 | Bricka | Washer | |
| 78 | 1 | 337785100/0 | Fäste | Support | |
| 79 | 2 | 112523050/0 | Bricka | Washer | |
| 80 | 2 | 112154510/0 | Mutter | Nut | |
| 81 | 1 | 112791200/1 | Skruv | Screw | |
| 82 | 1 | 112154510/0 | Mutter | Nut | |
| 83 | 1 | 112791200/1 | Skruv | Screw | |
| 84 | 1 | 337600017/0 | Skydd | Protection Cover | |
| 85 | 1 | 112154510/0 | Mutter | Nut | |
| 86 | 2 | 112727796/0 | Skruv | Screw | |
| 87 | 1 | 137294101/0 | Remstyrning | Belt Guide | |
| 88 | 1 | 337060005/0 | Remskydd | Belt Cover | |
| 89 | 2 | 112154330/0 | Mutter | Nut | |
| 90 | 1 | 112791500/0 | Skruv | Screw | |
| 91 | 1 | 112154510/0 | Mutter | Nut | |
| 91 | 1 | 112791200/1 | Skruv | Screw | |
| 93 | 1 | 337600016/0 | Skydd | Protection Cover | |
| 94 | 1 | 112154510/0 | Mutter | Nut | |



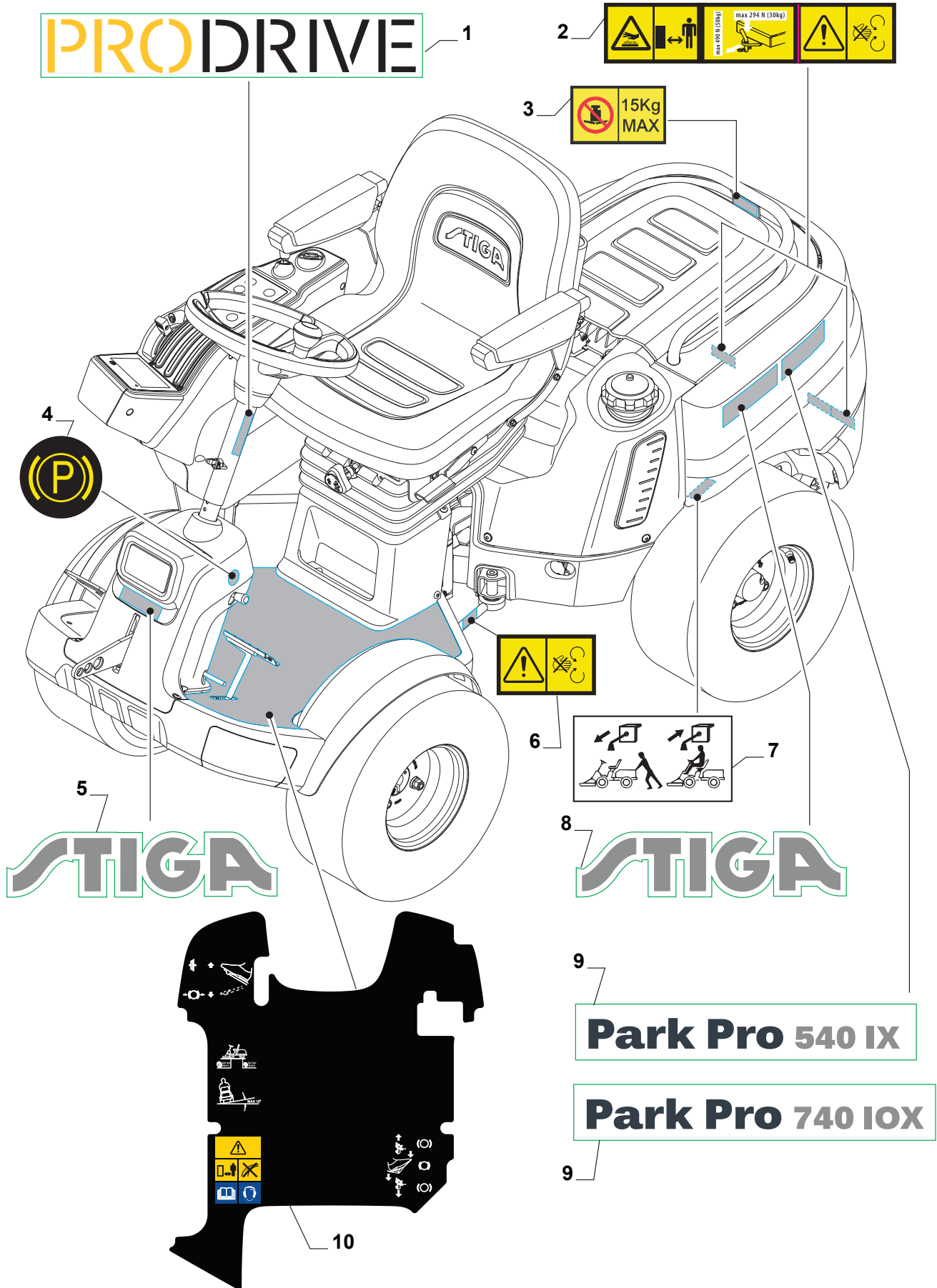
| Utgåva Issue 19 - 2015 | | Motor - B&S | Engine - B&S | | |
|------------------------------|---------------|-------------------|---------------------------|----------------------|------------------------|
| Pos. Fig. | Antal Q.ty | Art nr Part No | Benämning | Description | Anmärkning Notes |
| 1 | 1 | 137793050/0 | Tanklock | Fuel Cap | |
| 2 | 1 | 337735110/0 | Bensintank | Fuel tank | |
| 3 | 1 | 137840001/0 | Tankbygel | Fuel Tank Loop | |
| 4 | 2 | 1134-4481-02 | Vingmutter | Wing Nut | |
| 5 | 2 | 112154510/0 | Mutter | Nut | |
| 6 | 1 | 137840002/0 | Tankbygel | Fuel Tank Loop | |
| 7 | 1 | 137840003/0 | Tankbygel | Fuel Tank Loop | |
| 8 | 3 | 1134-4176-01 | Clips | Clips | |
| 9 | 1 | 337785023/0 | Tankfäste | Tank Support | |
| 10 | 2 | 9945-0816-16 | Skruv | Screw | |
| 11 | 1 | 1134-3224-01 | Bensinkran | Fuel Shut-Off Valve | |
| 12 | 1 | 1134-3225-01 | Gummibusning | Grommet | |
| 13 | 1 | 1134-2975-13 | Bensinslang | Fuel Tube | Cutting length 0,65 mt |
| 14 | 2 | 9578-0023-02 | Slangklämma D12*8 (Svart) | Hose Clamp | |
| 20 | 1 | 112726388/0 | Skruv | Screw | |
| 21 | 1 | 337592150/0 | Knopp | Knob | |
| 22 | 1 | 112290800/0 | Mutter | Nut | |
| 23 | 1 | 187000201/0 | Gasreglage | Throttle Control | |
| 24 | 2 | 112735105/0 | Skruv | Screw | |
| 25 | 1 | 137090200/0 | Chokereglage Kpl | Choke Control | |
| 26 | 1 | 1134-4338-01 | Reglageknopp | Control Button-Choke | |
| 31 | 1 | 1137-0179-01 | Ljuddämpare Kpl | Muffler Assy | |
| 31 | 1 | 1137-0073-01 | Ljuddämpare Kpl | Muffler Assy | |
| 32 | 1 | 9959-0820-16 | Skruv | Screw | |
| 33 | 1 | 112523060/0 | Bricka | Washer | |
| 34 | 1 | 112154220/0 | Mutter | Nut | |
| 35 | 1 | 9893-0616-16 | Skruv | Screw | |
| 36 | 1 | 1137-1130-01 | Bricka | Washer | |
| 37 | 1 | 118738253/0 | Grenrör Kpl | Exhaust Pipe Assy | |
| 38 | 1 | 084-351-01 | Band | Band | |
| 39 | 4 | 112737450/0 | Skruv | Screw | |
| 39 | 4 | 112760515/0 | Skruv | Screw | |
| 41 | 1 | 9600-0251-00 | Kil | Key | |
| 42 | 1 | 1137-0207-01 | Motorremskiva | Engine Belt Pulley | |
| 43 | 1 | 112543000/0 | Bricka | Washer | |
| 44 | 1 | 9987-5376-12 | Skruv | Screw | |
| 45 | 3 | 9955-3725-16 | Skruv | Screw | |
| 46 | 2 | 1137-0115-01 | Wireklämma | Wire Clamp | |
| 47 | 2 | 9959-0820-16 | Skruv | Screw | |
| 48 | 1 | 1137-0072-01 | Deflektor | Deflector | |
| 49 | 2 | 112154220/0 | Mutter | Nut | |
| 50 | 3 | 112728698/0 | Skruv | Screw | |
| 51 | 1 | 337108501/0 | Lufttransportör | Air Conveyor | |
| 53 | 1 | 1134-5827-05 | Oljeavtappning Kpl | Oil Drain Assy | |
| 54 | 1 | 133320509/0 | Kabelhållare | Cable Holder | |
| 55 | 1 | 112691115/0 | Skruv | Screw | |
| 56 | 2 | 112540260/0 | Lasbricka 8.4X15X0.8 | Grower | |
| 57 | 1 | 112154210/0 | Mutter | Nut | |



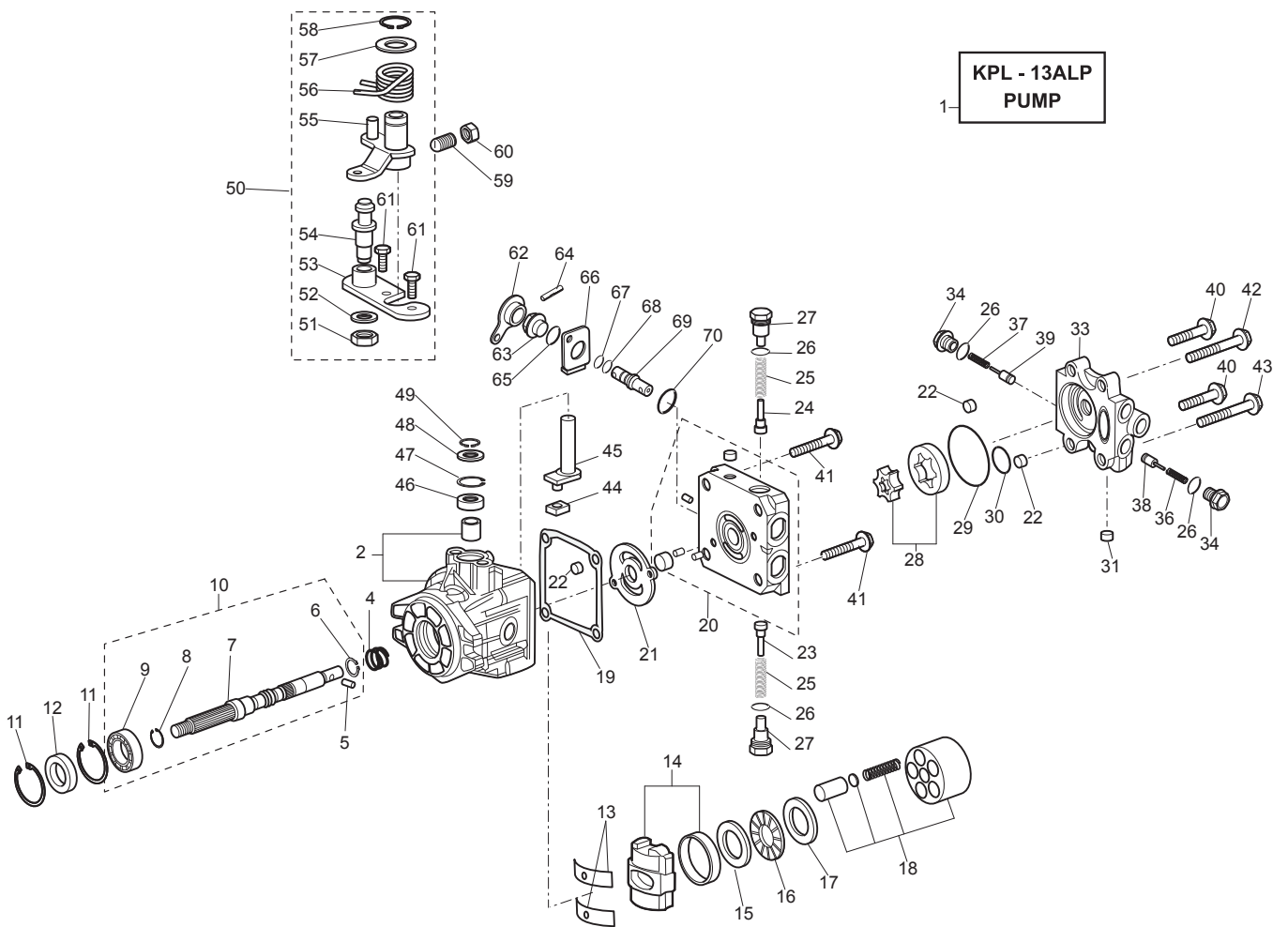
| Utgåva Issue 19 - 2015 | | Elutrustning | | Electric equipment | |
|------------------------------|---------------|-------------------|--------------------|--------------------------------|---------------------|
| Pos. Fig. | Antal Q.ty | Art nr Part No | Benämning | Description | Anmärkning Notes |
| 1 | 1 | 387184250/0 | Led-Lampa | Led-Lamp | |
| 2 | 2 | 112728698/0 | Skruv | Screw | |
| 3 | 1 | 187040300/0 | Kabelhärva | Wiring harness | |
| 4 | 1 | 1134-3399-01 | Brytare | Switch | |
| 5 | 2 | 9943-0516-16 | Skruv | Screw | |
| 6 | 1 | 337109500/0 | Box | Container | |
| 7 | 1 | 337245200/0 | Låshylsa | Retainer | |
| 8 | 2 | 9943-0516-16 | Skruv | Screw | |
| 9 | 1 | 337580470/0 | Låshylsa | Retainer | |
| 10 | 2 | 112728697/0 | Skruv | Screw | |
| 11 | 3 | 112791500/0 | Skruv | Screw | |
| 12 | 3 | 112523040/0 | Bricka | Washer | |
| 13 | 3 | 122170610/0 | Distans | Spacer | |
| 14 | 3 | 9739-0631-22 | Mutter | Nut | |
| 15 | 2 | 118564861/1 | Polskydd | Protection | |
| 16 | 2 | 112791400/0 | Skruv | Screw | |
| 17 | 4 | 112521330/0 | Bricka | Washer | |
| 18 | 1 | 1134-5751-01 | Batteri | Battery | |
| 19 | 2 | 112292100/0 | Mutter | Nut | |
| 20 | 2 | 112728697/0 | Skruv | Screw | |
| 21 | 1 | 1134-3491-01 | Säkringshallare | Fuse Holder | |
| 22 | 1 | 133340036/0 | Säkring 25A | Fuse 25 A | |
| 22 | 1 | 1134-3496-06 | Säkring 20 Amp Gul | Fuse (20A) | |
| 23 | 1 | 1134-3631-01 | Lock (5-01) | Cover-Fuse Holder | |
| 24 | 2 | 112728697/0 | Skruv | Screw | |
| 25 | 1 | 118736110/0 | Startrelä | Starter Relay | |
| 26 | 2 | 9743-5121-32 | Mutter | Nut | |
| 27 | 2 | 112791200/1 | Skruv | Screw | |
| 28 | 1 | 337785025/0 | Bygel | Support | |
| 29 | 1 | 9400-0316-01 | Huvudströmbrytare | Microswitch | |
| 30 | 2 | 9739-0631-22 | Mutter | Nut | |
| 31 | 2 | 112791200/1 | Skruv | Screw | |
| 32 | 2 | 9739-0631-22 | Mutter | Nut | |
| 34 | 1 | 118210026/0 | Tändningslås | Starting Switch | |
| 35 | 1 | 1134-4734-01 | Tändningsnyckel | Ignition Key | |
| 36 | 1 | 112728124/0 | Skruv | Screw | |
| 37 | 1 | 112523020/0 | Bricka | Washer | |
| 38 | 1 | 133567002/0 | Relä | Relay | |
| 39 | 2 | 112728124/0 | Skruv | Screw | |
| 40 | 1 | 337031585/0 | Summer | Buzzer | |
| 41 | 1 | 118803491/0 | Mother Board | Mother Board | |
| 42 | 1 | 137065302/0 | Kabel | Cable | |
| 43 | 1 | 118803492/0 | Cpu-Display | Cpu-Display | |
| 44 | 1 | 119410619/0 | Mikrobrytare | Microswitch Cable Ass.Y (Rider | |
| 45 | 1 | 137065301/0 | Kabel | Cable | |
| 51 | 1 | 9959-0820-16 | Skruv | Screw | |
| 52 | 1 | 1137-0075-01 | Fäste | Attachment | 2010 |
| 53 | 1 | 112154220/0 | Mutter | Nut | |
| 54 | 2 | 112735105/0 | Skruv | Screw | |



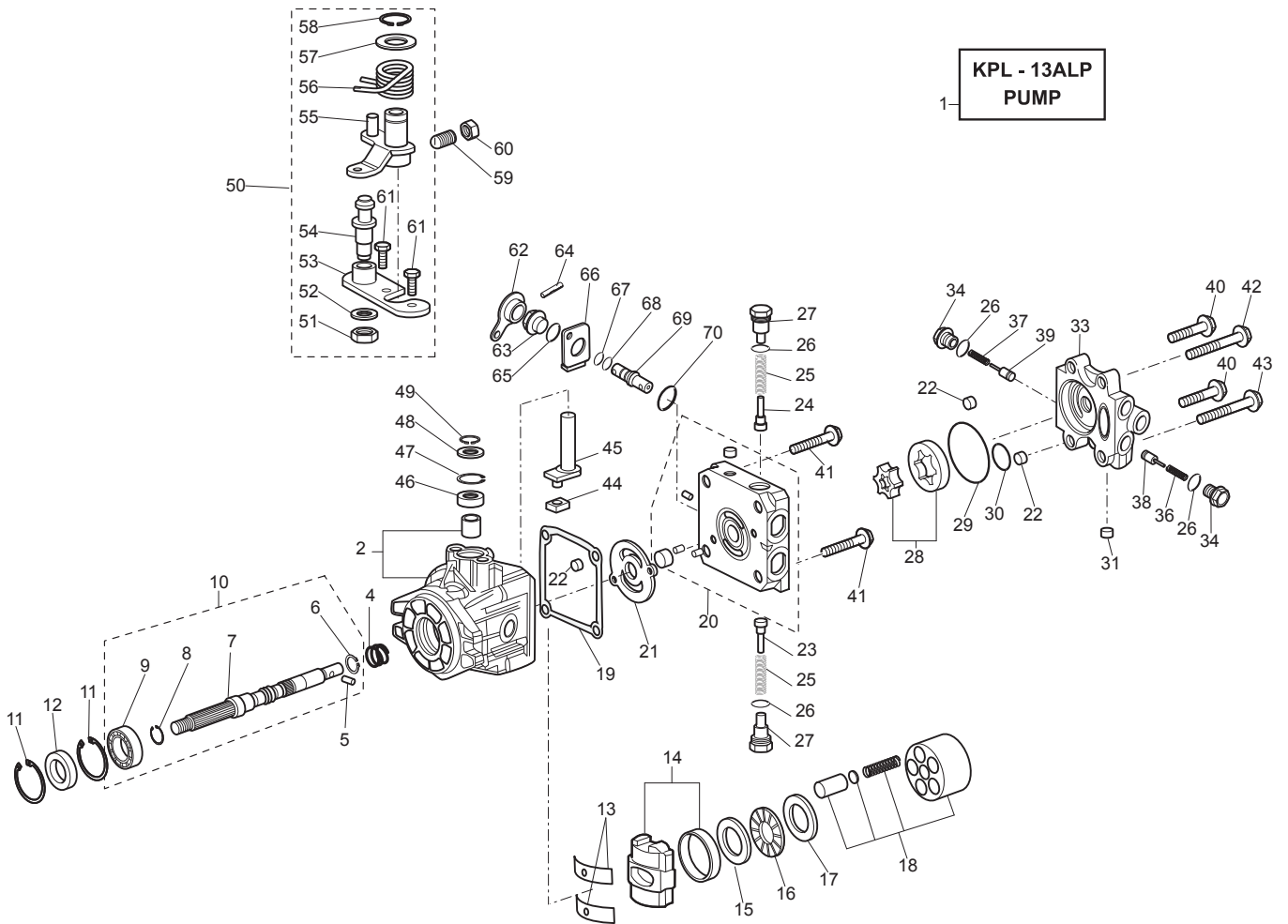
| Utgåva Issue 19 - 2015 | | Elutrustning Electric equipment | | | |
|------------------------------|---------------|------------------------------------|------------|------------------|---------------------|
| Pos. Fig. | Antal Q.ty | Art nr Part No | Benämning | Description | Anmärkning Notes |
| 55 | 1 | 1134-7535-01 | Honkontakt | Female Connector | |
| 61 | 1 | 9945-0816-16 | Skruv | Screw | |
| 62 | 1 | 387785217/0 | Bygel | Support | |
| 63 | 1 | 112154220/0 | Mutter | Nut | |
| 64 | 2 | 112735105/0 | Skruv | Screw | |
| 65 | 1 | 1134-7535-01 | Honkontakt | Female Connector | |
| 66 | 1 | 118802897/0 | Plugg | Plug | |
| 71 | 1 | 9959-0820-16 | Skruv | Screw | |
| 72 | 1 | 1137-0075-01 | Fäste | Attachment 2010 | |
| 73 | 1 | 112154220/0 | Mutter | Nut | |
| 74 | 2 | 112735105/0 | Skruv | Screw | |
| 75 | 1 | 1134-7535-01 | Honkontakt | Female Connector | |
| 33 | 1 | 1134-4749-01 | Mutter | Nut | |



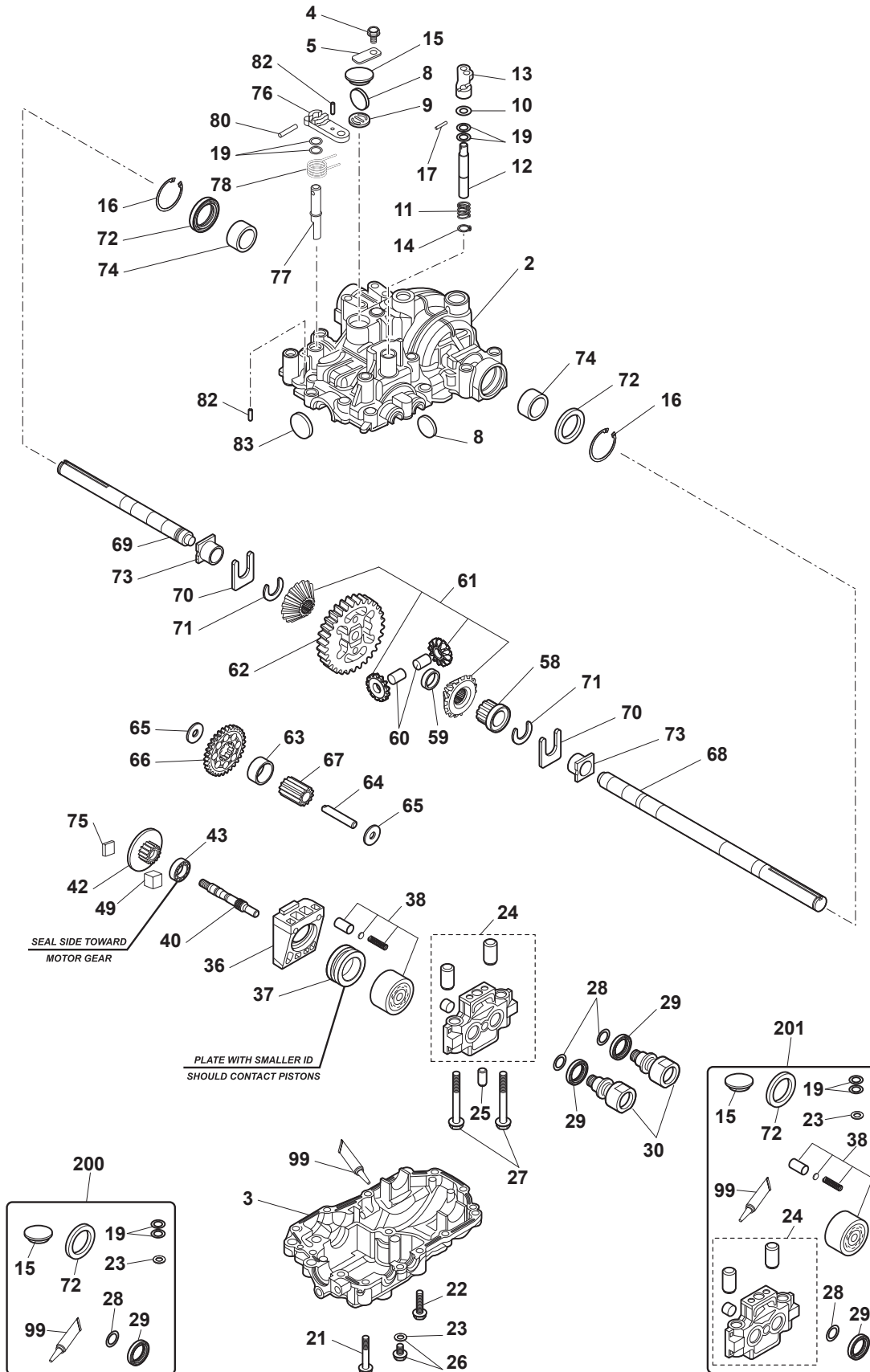
| Utgåva Issue 19 - 2015 | | Dekaler Labels | | | |
|------------------------------|---------------|-------------------|--|--|---------------------|
| Pos. Fig. | Antal Q.ty | Art nr Part No | Benämning | Description | Anmärkning Notes |
| 1 | 1 | 114368384/1 | Dekal | Label | |
| 2 | 1 | 114368425/0 | Dekal | Label | |
| 3 | 1 | 114368383/0 | Dekal | Label | |
| 4 | 1 | 114358460/0 | Dekal | Label | |
| 5 | 1 | 114367494/2 | Dekal Dekal STIGA logo Dekal "STIGA" | Label Label STIGA logo Label "STIGA" | |
| 6 | 1 | 9402-3406-01 | Varn.Dekal Klämrisk | Varn.Dekal Klämrisk | |
| 7 | 1 | 9402-3709-01 | Dekal By-Pass 4Wd | Label | |
| 8 | 2 | 114367494/2 | Dekal Dekal STIGA logo Dekal "STIGA" | Label Label STIGA logo Label "STIGA" | |
| 9 | 2 | 114368479/0 | Dekal "PARK PRO 740 IOX" | Label "PARK PRO 740 IOX" | Label model 740 |
| 10 | 1 | 114367752/0 | Dekal | Label | |



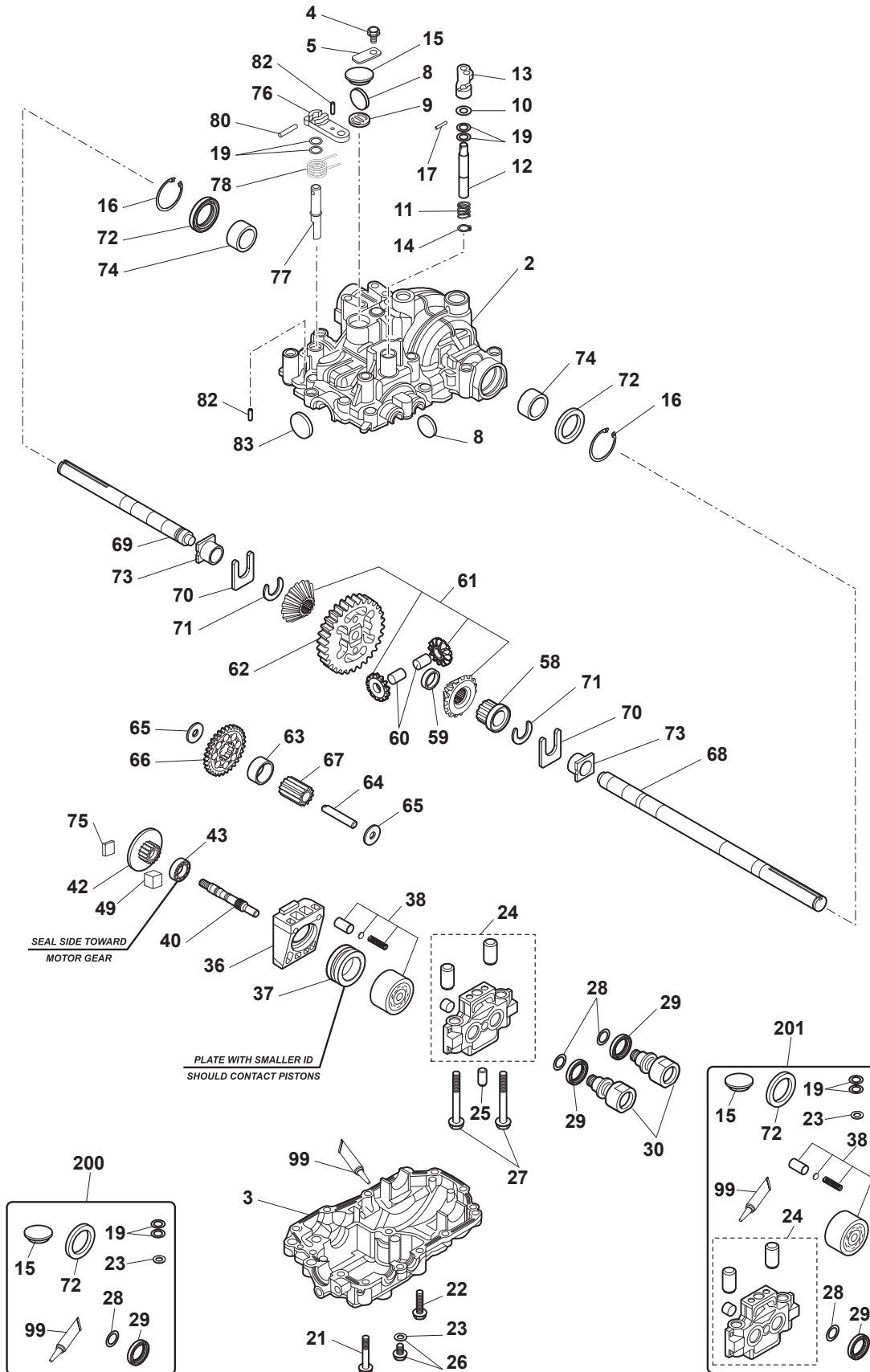
| Utgåva Issue 19 - 2015 | | Transaxel | | Transmission | |
|------------------------------|---------------|-------------------|------------------------|-----------------------|---------------------|
| Pos. Fig. | Antal Q.ty | Art nr Part No | Benämning | Description | Anmärkning Notes |
| 1 | 1 | 118475000/0 | Hydraulpump | Hydraulic Pump | Kanzaki KPL-13ALP |
| 2 | 1 | 1139-1514-01 | Hus | Housing | |
| 4 | 1 | 1139-1018-01 | Fjäder | Spring | |
| 5 | 1 | 1139-1148-01 | Stift | Pin | |
| 6 | 1 | 1139-1021-01 | Lasring | Snap Ring | |
| 8 | 1 | 1139-1532-01 | Lasring | Retaining Ring | |
| 9 | 1 | 1139-0236-01 | Kullager | Ball Bearing | |
| 10 | 1 | 1139-1516-01 | Pumpaxel Kpl | Pump Shaft Assy | Pos 6-9 incl. |
| 11 | 2 | 1139-1369-01 | Sparring | Snap Ring | |
| 12 | 1 | 1139-1396-01 | Tätningring | Seal | |
| 13 | 2 | 118870050/0 | Metal Thrust | Metal Thrust | |
| 14 | 1 | 118870051/0 | Plat | Plate | |
| 15 | 1 | 118870052/0 | Plat | Plate | |
| 16 | 1 | 118870053/0 | Lager | Bearing | |
| 17 | 1 | 118870054/0 | Plat | Plate | |
| 18 | 1 | 118870055/0 | Cylinder Block Kit | Cylinder Block Kit | |
| 19 | 1 | 1139-1515-01 | Packning | Case Gasket | |
| 20 | 1 | 118870056/0 | Central Case Assy | Central Case Assy | |
| 21 | 1 | 1139-1513-01 | Ventilplatta | Valve Plate | |
| 22 | 8 | 1139-1166-01 | Stift | Pin | |
| 23 | 1 | 1139-1368-01 | Ventil F | Check Valve F | |
| 24 | 1 | 1139-1374-01 | Ventil R | Check Valve R | |
| 25 | 2 | 1139-1366-01 | Fjäder | Spring | |
| 27 | 2 | 1139-1367-01 | Plugg | Check Plug | |
| 28 | 1 | 1139-1530-01 | Rotor (Ej Reservdel) | Rotor Set | |
| 29 | 1 | 1139-1529-01 | O-Ring | Packing | |
| 30 | 1 | 1139-1533-01 | O-Ring | O-Ring | |
| 31 | 1 | 1139-1107-01 | Plugg | Plug | |
| 33 | 1 | 1139-1519-01 | Pumphus (Ej Reservdel) | Pump Body | |
| 34 | 2 | 1139-1375-01 | Plugg | Charge Plug | |
| 35 | 1 | 1139-1114-01 | O-Ring | O-Ring | |
| 36 | 1 | 1139-1376-01 | Fjäder | Spring | |
| 37 | 1 | 1139-1389-01 | Ventilfjäder | Valve Spring | |
| 38 | 1 | 1139-1385-01 | Ventil | Relief Valve | |
| 39 | 1 | 1139-1386-01 | Ventil | Charge Valve | |
| 40 | 2 | 1139-1535-01 | Bult | Bolt | |
| 41 | 4 | 1139-1536-01 | Bult | Bolt | |
| 42 | 1 | 1139-1537-01 | Bult | Bolt | |
| 43 | 1 | 1139-1538-01 | Bult | Bolt | |
| 44 | 1 | 1139-1524-01 | Växelblock | Shift Block | |
| 45 | 1 | 1139-1517-01 | ReglaVäxelm | Control Arm | |
| 46 | 1 | 1139-1365-01 | Tätningring | Oil Seal | |
| 47 | 1 | 1139-1393-01 | Sparring | Ring | |
| 48 | 1 | 1139-1382-01 | Bricka | Washer | |
| 49 | 1 | 1139-1391-01 | Lasring | Ring | |
| 50 | 1 | 118870057/0 | Neutral Return Assy | Neutral Return Assy | Pos 51-58 incl. |
| 51 | 1 | 1139-1127-01 | Mutter | Nut | |
| 52 | 1 | 1139-1102-01 | Bricka | Washer | |
| 53 | 1 | 1139-1377-01 | Plat (Returfjäder) | Plate (Return Spring) | |



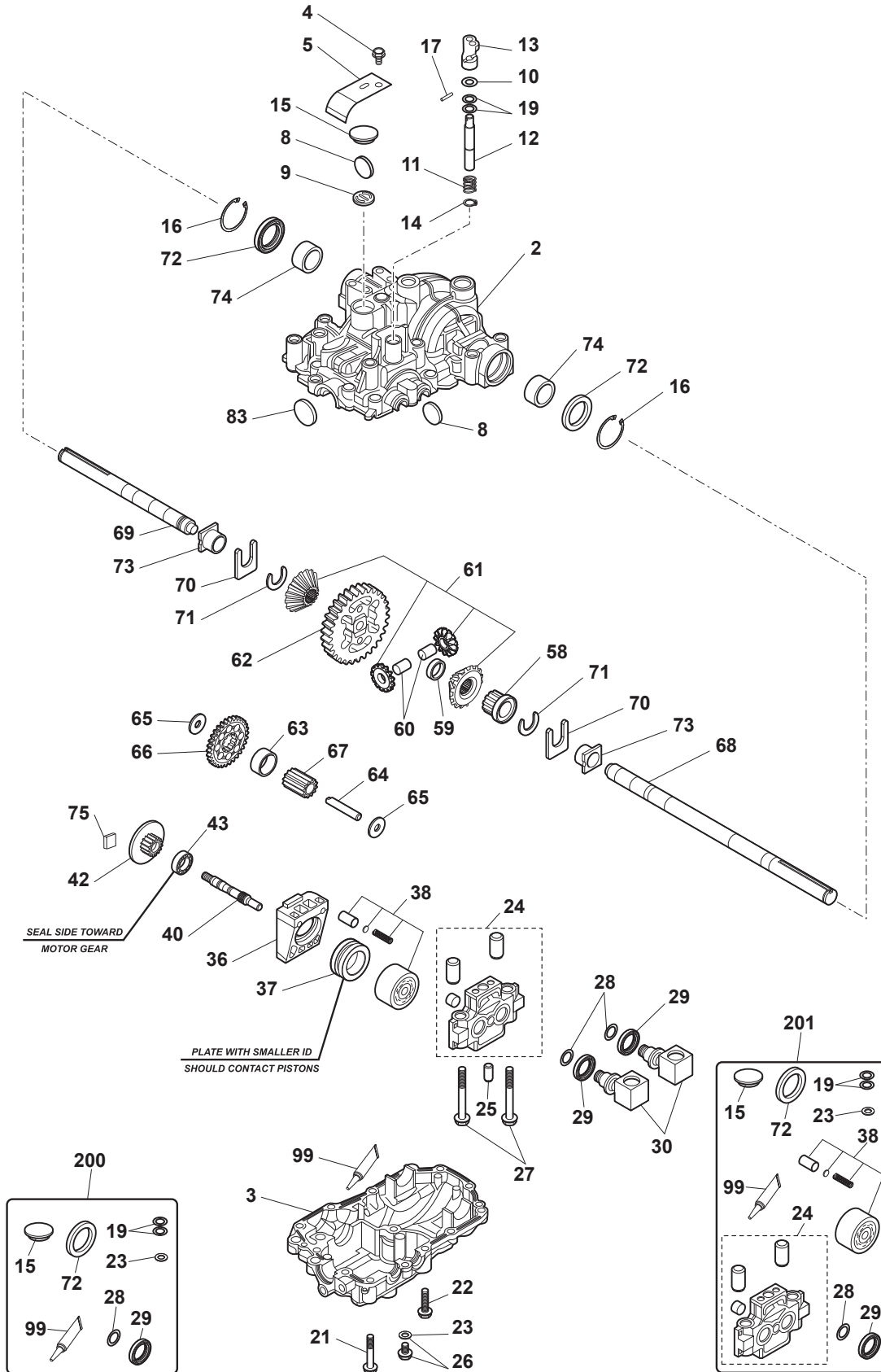
| Utgåva Issue 19 - 2015 | | Transaxel | | Transmission | |
|------------------------------|---------------|-------------------|-------------|-----------------|---------------------|
| Pos. Fig. | Antal Q.ty | Art nr Part No | Benämning | Description | Anmärkning Notes |
| 54 | 1 | 1139-1378-01 | Vridcentrum | Fulcrum | |
| 55 | 1 | 1139-1379-01 | Fjäder | Spring | |
| 56 | 1 | 118870058/0 | Fjäder | Spring | |
| 57 | 1 | 1139-1390-01 | Bricka | Washer | |
| 58 | 1 | 1139-1392-01 | Sparring | Ring | |
| 59 | 1 | 1139-1381-01 | Skruv | Screw | |
| 60 | 1 | 1139-1127-01 | Mutter | Nut | |
| 61 | 2 | 1139-1122-01 | Bult | Bolt | |
| 62 | 1 | 1139-1372-01 | By-Passarm | By-Pass Lever | |
| 63 | 1 | 1139-1371-01 | Adapter | By-Pass Adapter | |
| 64 | 1 | 1139-1395-01 | Stift | Pin | |
| 65 | 1 | 1139-1115-01 | O-Ring | O-Ring | |
| 66 | 1 | 1139-1373-01 | Plat | By-Pass Plate | |
| 67 | 1 | 1139-1387-01 | Ring | Back-Up Ring | |
| 68 | 1 | 1139-1112-01 | O-Ring | O-Ring | |
| 69 | 1 | 1139-1370-01 | By-Passaxel | By-Pass Pin | |
| 70 | 1 | 1139-1522-01 | Bricka | Wave Washer | |



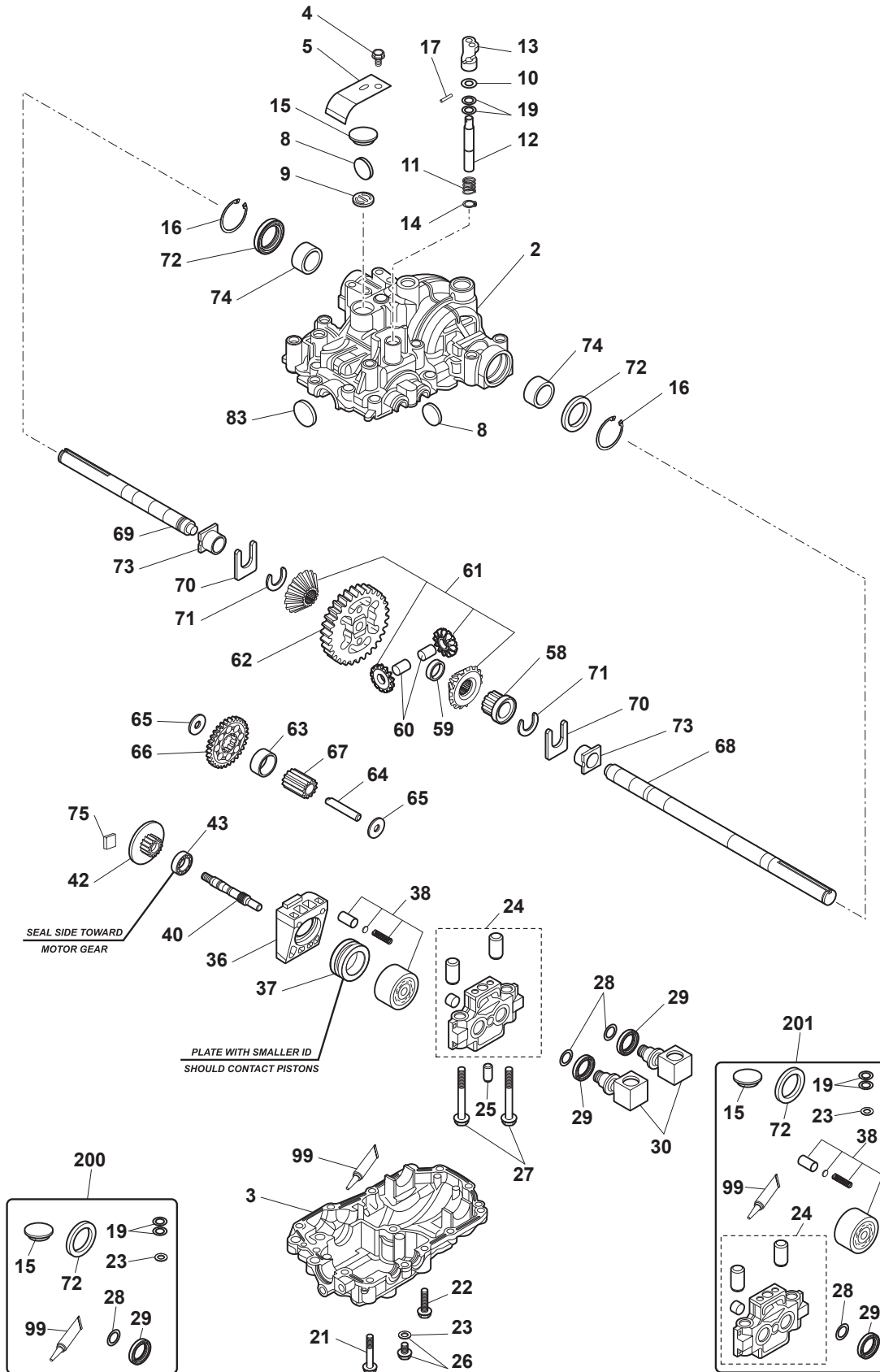
| Utgåva Issue 19 - 2015 | | Transmission | | Transmission | |
|------------------------------|---------------|-------------------|--------------------------|--------------------------|--------------------------|
| Pos. Fig. | Antal Q.ty | Art nr Part No | Benämning | Description | Anmärkning Notes |
| 1 | 1 | 1134-5701-01 | Motoraxel-Bakre (Ktm10G) | Rear Motor Unit (Ktm10G) | Kanzaki KTM 10G/KT-M10G/ |
| 2 | 1 | 1139-1416-01 | Hus-Övre | Housing-Upper | Inkl. pos 74/KTM10G/ |
| 2 | 1 | 1139-1417-01 | Hus-Övre | Housing-Upper | Inkl. pos 74/KTM10G/ |
| 2 | 1 | 1139-1607-01 | Hus-Övre | Housing Assy-Upper | Pos 74 incl. |
| 3 | 1 | 1139-1418-01 | Hus-Nedre | Housing-Lower | /KTM10G/ |
| 4 | 1 | 1139-1123-01 | Bult | Bolt | /KTM10G/ |
| 5 | 1 | 1139-1383-01 | Plat | Vent Port Plate | /KTM10G/ |
| 8 | 2 | 1139-1150-01 | Magnet | Magnet | |
| 9 | 1 | 1139-1341-01 | Magnethallare | Magnet Holder | /KTM10G/ |
| 10 | 1 | 1139-1388-01 | Bricka | Washer | /KTM10G/ |
| 11 | 1 | 1139-1421-01 | Fjäder | Spring | /KTM10G/ |
| 12 | 1 | 1139-1420-01 | By-Passaxel | By-Pass Shaft | /KTM10G/ |
| 13 | 1 | 1139-1189-01 | Arm | By-Pass Lever | /KTM10G/ |
| 14 | 1 | 1139-1391-01 | Lasring | Ring | /KTM10G/ |
| 15 | 1 | 1139-1275-01 | Plugg | Bore Plug | |
| 15 | 1 | 1139-1397-01 | Tätningshuv | Sealing Cap | /KTM10G/ |
| 16 | 2 | 1139-1444-01 | Lasring | Ring | |
| 17 | 1 | 1139-1280-01 | Stift | Pin | /KTM10G/ |
| 19 | 2 | 1139-1114-01 | O-Ring | O-Ring | |
| 21 | 3 | 1139-1291-01 | Bult | Bolt | |
| 22 | 11 | 1139-1448-01 | Bult | Bolt | |
| 23 | 1 | 1139-1103-01 | Bricka | Washer | /KTM10G/ |
| 24 | 1 | 1139-1419-01 | Centrumhus | Center Case | /KTM10G/ |
| 24 | 1 | 1139-1503-01 | Centrumhus | Center Case | /KTM10G/ |
| 24 | 1 | 1139-1723-01 | Centrumhus Kpl | Center Case Assy | |
| 25 | 1 | 1139-1445-01 | Stift | Pin | /KTM10G/ |
| 26 | 1 | 1139-1500-01 | Dräneringsbult-Sats | Drain Bolt Kit | /KTM10G/ |
| 27 | 2 | 1139-1449-01 | Bult | Bolt | |
| 28 | 2 | 1139-1446-01 | Packning | Packing | |
| 29 | 2 | 1139-1447-01 | Tätningring | Seal | |
| 30 | 2 | 1139-1423-01 | Anslutning | Connector | |
| 36 | 1 | 1139-1422-01 | Hus | Housing | /KTM10G/ |
| 36 | 1 | 1139-1504-01 | Motorhus | Motor Housing | /KTM10G/ |
| 37 | 1 | 1139-1438-01 | Lager | Bearing | /KTM10G/ |
| 38 | 1 | 1139-1139-01 | Cylinderblock Kpl | Cylinder Block Assy | /KTM10G/ |
| 38 | 1 | 1139-1509-01 | Cylinderblock Kpl | Cylinder Block Kit | /KTM10G/ |
| 40 | 1 | 1139-1425-01 | Motoraxel | Motor Shaft | /KTM10G/ |
| 42 | 1 | 1139-1442-01 | Motordrev | Motor Gear | /KTM10G/ |
| 43 | 1 | 1139-1286-01 | Kullager | Ball Bearing | /KTM10G/ |
| 43 | 1 | 1139-1453-01 | Lager | Bearing | /KTM10G/ |
| 58 | 1 | 1139-1330-01 | Hylsa | Collar | /KTM10G/ |
| 58 | 1 | 1139-1531-01 | Hylsa | Collar | /KTM10G/ |
| 59 | 1 | 1139-1435-01 | Hylsa | Collar, Axle | /KTM10G/ |
| 60 | 1 | 1139-1440-01 | Stift | Pin | /KTM10G/ |
| 61 | 1 | 1139-1439-01 | Differentialdrev | Differential Gear Kit | /KTM10G/ |
| 62 | 1 | 1139-1429-01 | Slutdrev | Final Gear | /KTM10G/ |
| 63 | 1 | 1139-1427-01 | Hylsa | Collar | /KTM10G/ |
| 64 | 1 | 1139-1256-01 | röduktionsaxel | Reduction Shaft | /KTM10G/ |



| Utgåva Issue 19 - 2015 | | Transmission | | | |
|------------------------------|---------------|-------------------|----------------|-------------------|---------------------|
| Pos. Fig. | Antal Q.ty | Art nr Part No | Benämning | Description | Anmärkning Notes |
| 65 | 2 | 1139-1398-01 | Bricka | Washer | |
| 66 | 1 | 1139-1441-01 | Reduktionsdrev | Reduction Gear | /KTM10G/ |
| 67 | 1 | 1139-1361-01 | Slutdrev | Final Pinion Gear | /KTM10G/ |
| 68 | 1 | 1139-1434-01 | Hjulaxel | Axle | /KTM10G/ |
| 69 | 1 | 1139-1433-01 | Hjulaxel | Axle | /KTM10G/ |
| 70 | 2 | 1139-1194-01 | Bricka | Thrust Washer | |
| 71 | 2 | 1139-1155-01 | Lasring | Ring | |
| 72 | 2 | 1139-1044-01 | Tätning | Seal 25.4*42*8 | |
| 73 | 2 | 1139-1156-01 | Bussning | Bushing | |
| 74 | 2 | 1139-1415-01 | Bussning | Bushing | |
| 75 | 1 | 1139-1260-01 | Bromssko | Brake Shoe | /KTM10G/ |
| 76 | 1 | 1139-1261-01 | Bromsarm | Brake Arm | /KTM10G/ |
| 77 | 1 | 1139-1320-01 | Bromsaxel | Brake Shaft | /KTM10G/ |
| 78 | 1 | 1139-1263-01 | Returfjäder | Return Spring | /KTM10G/ |
| 79 | 1 | 1139-1264-01 | Tryckplatta | Brake Actuator | /KTM10G/ |
| 80 | 1 | 1139-1282-01 | Stift | Pin | /KTM10G/ |
| 81 | 1 | 1139-1114-01 | O-Ring | O-Ring | |
| 82 | 2 | 1139-1281-01 | Stift | Pin | |
| 83 | 1 | 1139-1450-01 | Tätningshuv | Sealing Cap | /KTM10G/ |
| 99 | 1 | 1139-1443-01 | Tätningmedel | Sealant (Tube) | /KTM10G/ |
| 200 | 1 | 1139-1437-01 | Servicesats | Seal Kit | /KTM10G/ |



| Utgåva Issue 19 - 2015 | | Transmission | | Transmission | |
|------------------------------|---------------|-------------------|---------------------------|---------------------------|--------------------------|
| Pos. Fig. | Antal Q.ty | Art nr Part No | Benämning | Description | Anmärkning Notes |
| 1 | 1 | 1134-5702-01 | Motoraxel-Främre (Ktm10F) | Front Motor Unit (Ktm10F) | Kanzaki KTM 10F/KT-M10F/ |
| 2 | 1 | 1139-1417-01 | Hus-Övre | Housing-Upper | Inkl. pos 74/KTM10F/ |
| 2 | 1 | 1139-1604-01 | Hus-Övre | Housing Assy-Upper | Pos 74 incl. |
| 3 | 1 | 1139-1418-01 | Hus-Nedre | Housing-Lower | /KTM10F/ |
| 4 | 1 | 1139-1123-01 | Bult | Bolt | /KTM10F/ |
| 5 | 1 | 1139-1384-01 | Glidplat | Skid Plate | /KTM10F/ |
| 5 | 1 | 1139-1603-01 | Glidplat | Skid Plate | |
| 8 | 2 | 1139-1150-01 | Magnet | Magnet | |
| 9 | 1 | 1139-1341-01 | Magnethallare | Magnet Holder | /KTM10F/ |
| 10 | 1 | 1139-1388-01 | Bricka | Washer | /KTM10F/ |
| 11 | 1 | 1139-1421-01 | Fjäder | Spring | /KTM10F/ |
| 12 | 1 | 1139-1420-01 | By-Passaxel | By-Pass Shaft | /KTM10F/ |
| 13 | 1 | 1139-1189-01 | Arm | By-Pass Lever | /KTM10F/ |
| 14 | 1 | 1139-1391-01 | Lasring | Ring | /KTM10F/ |
| 15 | 1 | 1139-1397-01 | Tätningshuv | Sealing Cap | /KTM10F/ |
| 16 | 2 | 1139-1444-01 | Lasring | Ring | |
| 17 | 1 | 1139-1280-01 | Stift | Pin | /KTM10F/ |
| 19 | 2 | 1139-1114-01 | O-Ring | O-Ring | |
| 21 | 3 | 1139-1291-01 | Bult | Bolt | |
| 22 | 11 | 1139-1448-01 | Bult | Bolt | |
| 23 | 1 | 1139-1103-01 | Bricka | Washer | /KTM10F/ |
| 24 | 1 | 1139-1419-01 | Centrumhus | Center Case | /KTM10F/ |
| 24 | 1 | 1139-1503-01 | Centrumhus | Center Case | /KTM10F/ |
| 24 | 1 | 1139-1723-01 | Centrumhus Kpl | Center Case Assy | |
| 25 | 1 | 1139-1445-01 | Stift | Pin | /KTM10F/ |
| 26 | 1 | 1139-1500-01 | Dräneringsbult-Sats | Drain Bolt Kit | /KTM10F/ |
| 27 | 2 | 1139-1449-01 | Bult | Bolt | |
| 28 | 2 | 1139-1446-01 | Packning | Packing | |
| 29 | 2 | 1139-1447-01 | Tätningring | Seal | |
| 30 | 2 | 1139-1424-01 | Anslutning | Connector | |
| 36 | 1 | 1139-1422-01 | Hus | Housing | /KTM10F/ |
| 36 | 1 | 1139-1504-01 | Motorhus | Motor Housing | /KTM10F/ |
| 37 | 1 | 1139-1438-01 | Lager | Bearing | /KTM10F/ |
| 38 | 1 | 1139-1139-01 | Cylinderblock Kpl | Cylinder Block Assy | /KTM10F/ |
| 38 | 1 | 1139-1509-01 | Cylinderblock Kpl | Cylinder Block Kit | /KTM10F/ |
| 40 | 1 | 1139-1425-01 | Motoraxel | Motor Shaft | /KTM10F/ |
| 42 | 1 | 1139-1442-01 | Motordrev | Motor Gear | /KTM10F/ |
| 43 | 1 | 1139-1286-01 | Kullager | Ball Bearing | /KTM10F/ |
| 43 | 1 | 1139-1453-01 | Lager | Bearing | /KTM10F/ |
| 58 | 1 | 1139-1330-01 | Hylsa | Collar | /KTM10F/ |
| 59 | 1 | 1139-1435-01 | Hylsa | Collar, Axle | /KTM10F/ |
| 60 | 1 | 1139-1440-01 | Stift | Pin | /KTM10F/ |
| 61 | 1 | 1139-1439-01 | Differentialdrev | Differential Gear Kit | /KTM10F/ |
| 62 | 1 | 1139-1429-01 | Slutdrev | Final Gear | /KTM10F/ |
| 63 | 1 | 1139-1427-01 | Hylsa | Collar | /KTM10F/ |
| 64 | 1 | 1139-1256-01 | röduktionsaxel | Reduction Shaft | /KTM10F/ |
| 65 | 2 | 1139-1398-01 | Bricka | Washer | |
| 66 | 1 | 1139-1441-01 | Reduktionsdrev | Reduction Gear | /KTM10F/ |



| Utgåva Issue 19 - 2015 | | Transmission | | | |
|------------------------------|---------------|-------------------|--------------|-------------------|---------------------|
| Pos. Fig. | Antal Q.ty | Art nr Part No | Benämning | Description | Anmärkning Notes |
| 67 | 1 | 1139-1361-01 | Slutdrev | Final Pinion Gear | /KTM10F/ |
| 68 | 1 | 1139-1432-01 | Hjulaxel | Axle | /KTM10F/ |
| 69 | 1 | 1139-1431-01 | Hjulaxel | Axle | /KTM10F/ |
| 70 | 2 | 1139-1194-01 | Bricka | Thrust Washer | |
| 71 | 2 | 1139-1155-01 | Lasring | Ring | |
| 72 | 2 | 1139-1044-01 | Tätning | Seal 25.4*42*8 | |
| 73 | 2 | 1139-1156-01 | Bussning | Bushing | |
| 74 | 2 | 1139-1415-01 | Bussning | Bushing | |
| 75 | 1 | 1139-1260-01 | Bromssko | Brake Shoe | /KTM10F/ |
| 83 | 1 | 1139-1450-01 | Tätningshuv | Sealing Cap | /KTM10F/ |
| 99 | 1 | 1139-1443-01 | Tätningmedel | Sealant (Tube) | /KTM10F/ |
| 200 | 1 | 1139-1436-01 | Servicesats | Seal Kit | /KTM10F/ |

| code | pos. | q.ty | page | | | | | | | | | | | |
|--------------|------|------|-------|--------------|----|---|-------|--------------|----|---|-------|--|--|--|
| 13-0993-61 | 70 | 1 | p. 15 | 1134-4948-01 | 46 | 8 | p. 21 | 1137-0073-01 | 31 | 1 | p. 31 | | | |
| 084-351-01 | 38 | 1 | p. 31 | 1134-4948-01 | 56 | 2 | p. 21 | 1137-0075-01 | 52 | 1 | p. 33 | | | |
| 1131-1497-01 | 45 | 1 | p. 25 | 1134-4948-01 | 57 | 4 | p. 21 | 1137-0075-01 | 72 | 1 | p. 35 | | | |
| 1134-0031-00 | 6 | 1 | p. 9 | 1134-4948-02 | 34 | 4 | p. 21 | 1137-0077-01 | 77 | 2 | p. 15 | | | |
| 1134-0052-00 | 4 | 1 | p. 27 | 1134-5112-01 | 52 | 1 | p. 27 | 1137-0088-01 | 51 | 2 | p. 5 | | | |
| 1134-0052-00 | 21 | 1 | p. 19 | 1134-5177-01 | 10 | 1 | p. 3 | 1137-0115-01 | 46 | 2 | p. 31 | | | |
| 1134-0052-00 | 34 | 2 | p. 27 | 1134-5512-01 | 56 | 1 | p. 11 | 1137-0179-01 | 31 | 1 | p. 31 | | | |
| 1134-0068-00 | 34 | 2 | p. 25 | 1134-5660-01 | 7 | 1 | p. 27 | 1137-0193-01 | 18 | 1 | p. 21 | | | |
| 1134-0222-00 | 31 | 1 | p. 27 | 1134-5663-01 | 5 | 1 | p. 27 | 1137-0193-01 | 19 | 1 | p. 21 | | | |
| 1134-0240-00 | 20 | 1 | p. 13 | 1134-5674-01 | 45 | 1 | p. 27 | 1137-0207-01 | 42 | 1 | p. 31 | | | |
| 1134-0240-00 | 42 | 1 | p. 27 | 1134-5677-02 | 33 | 1 | p. 25 | 1137-0209-01 | 3 | 1 | p. 27 | | | |
| 1134-0240-00 | 50 | 2 | p. 9 | 1134-5686-01 | 72 | 4 | p. 15 | 1137-0209-01 | 35 | 1 | p. 27 | | | |
| 1134-0266-00 | 25 | 1 | p. 25 | 1134-5701-01 | 1 | 1 | p. 43 | 1137-0211-01 | 10 | 1 | p. 17 | | | |
| 1134-0267-00 | 26 | 1 | p. 25 | 1134-5701-01 | 28 | 1 | p. 13 | 1137-0215-01 | 8 | 1 | p. 17 | | | |
| 1134-1565-08 | 27 | 2 | p. 9 | 1134-5702-01 | 1 | 1 | p. 47 | 1137-0215-02 | 9 | 1 | p. 17 | | | |
| 1134-1565-09 | 30 | 1 | p. 17 | 1134-5702-01 | 47 | 1 | p. 13 | 1137-0220-01 | 12 | 1 | p. 17 | | | |
| 1134-1565-09 | 49 | 3 | p. 9 | 1134-5703-01 | 35 | 1 | p. 13 | 1137-0272-01 | 2 | 1 | p. 17 | | | |
| 1134-1565-14 | 7 | 1 | p. 25 | 1134-5703-01 | 56 | 1 | p. 15 | 1137-1093-01 | 59 | 2 | p. 15 | | | |
| 1134-1565-14 | 55 | 2 | p. 29 | 1134-5705-01 | 9 | 1 | p. 9 | 1137-1130-01 | 36 | 1 | p. 31 | | | |
| 1134-1565-15 | 32 | 1 | p. 13 | 1134-5713-02 | 15 | 1 | p. 13 | 1139-0010-01 | 40 | 6 | p. 3 | | | |
| 1134-1730-02 | 32 | 1 | p. 27 | 1134-5713-03 | 41 | 1 | p. 27 | 1139-0011-01 | 41 | 6 | p. 3 | | | |
| 1134-1888-06 | 19 | 1 | p. 27 | 1134-5713-04 | 25 | 1 | p. 27 | 1139-0236-01 | 9 | 1 | p. 39 | | | |
| 1134-2684-01 | 7 | 2 | p. 21 | 1134-5739-01 | 16 | 1 | p. 13 | 1139-1018-01 | 4 | 1 | p. 39 | | | |
| 1134-2786-01 | 44 | 1 | p. 25 | 1134-5742-01 | 38 | 1 | p. 27 | 1139-1021-01 | 6 | 1 | p. 39 | | | |
| 1134-2975-13 | 13 | 1 | p. 31 | 1134-5751-01 | 18 | 1 | p. 33 | 1139-1044-01 | 72 | 2 | p. 45 | | | |
| 1134-3224-01 | 11 | 1 | p. 31 | 1134-5763-01 | 5 | 1 | p. 13 | 1139-1044-01 | 72 | 2 | p. 49 | | | |
| 1134-3225-01 | 12 | 1 | p. 31 | 1134-5764-01 | 25 | 1 | p. 13 | 1139-1102-01 | 52 | 1 | p. 39 | | | |
| 1134-3262-01 | 28 | 1 | p. 3 | 1134-5797-01 | 67 | 4 | p. 15 | 1139-1103-01 | 23 | 1 | p. 43 | | | |
| 1134-3383-02 | 38 | 2 | p. 13 | 1134-5807-01 | 21 | 1 | p. 17 | 1139-1103-01 | 23 | 1 | p. 47 | | | |
| 1134-3383-02 | 60 | 2 | p. 15 | 1134-5808-01 | 17 | 2 | p. 17 | 1139-1107-01 | 31 | 1 | p. 39 | | | |
| 1134-3399-01 | 4 | 1 | p. 33 | 1134-5809-01 | 15 | 1 | p. 17 | 1139-1112-01 | 68 | 1 | p. 41 | | | |
| 1134-3459-01 | 18 | 1 | p. 13 | 1134-5809-01 | 16 | 1 | p. 17 | 1139-1114-01 | 19 | 2 | p. 43 | | | |
| 1134-3491-01 | 21 | 1 | p. 33 | 1134-5810-01 | 13 | 1 | p. 17 | 1139-1114-01 | 19 | 2 | p. 47 | | | |
| 1134-3496-06 | 22 | 1 | p. 33 | 1134-5810-01 | 19 | 1 | p. 17 | 1139-1114-01 | 35 | 1 | p. 39 | | | |
| 1134-3631-01 | 23 | 1 | p. 33 | 1134-5810-01 | 27 | 1 | p. 17 | 1139-1114-01 | 81 | 1 | p. 45 | | | |
| 1134-3663-01 | 17 | 1 | p. 27 | 1134-5815-02 | 40 | 1 | p. 25 | 1139-1115-01 | 65 | 1 | p. 41 | | | |
| 1134-3663-01 | 39 | 1 | p. 27 | 1134-5821-01 | 12 | 1 | p. 13 | 1139-1122-01 | 61 | 2 | p. 41 | | | |
| 1134-4002-01 | 42 | 1 | p. 25 | 1134-5823-01 | 14 | 1 | p. 27 | 1139-1123-01 | 4 | 1 | p. 43 | | | |
| 1134-4014-01 | 7 | 1 | p. 13 | 1134-5824-01 | 12 | 1 | p. 27 | 1139-1123-01 | 4 | 1 | p. 47 | | | |
| 1134-4109-01 | 64 | 1 | p. 23 | 1134-5827-05 | 53 | 1 | p. 31 | 1139-1127-01 | 51 | 1 | p. 39 | | | |
| 1134-4176-01 | 8 | 3 | p. 31 | 1134-5862-01 | 11 | 2 | p. 13 | 1139-1127-01 | 60 | 1 | p. 41 | | | |
| 1134-4176-01 | 44 | 6 | p. 5 | 1134-5875-01 | 22 | 1 | p. 17 | 1139-1139-01 | 38 | 1 | p. 43 | | | |
| 1134-4176-01 | 54 | 4 | p. 7 | 1134-5963-01 | 3 | 1 | p. 17 | 1139-1139-01 | 38 | 1 | p. 47 | | | |
| 1134-4176-01 | 57 | 2 | p. 7 | 1134-5964-01 | 4 | 1 | p. 17 | 1139-1148-01 | 5 | 1 | p. 39 | | | |
| 1134-4187-01 | 12 | 1 | p. 25 | 1134-5988-01 | 12 | 1 | p. 9 | 1139-1150-01 | 8 | 2 | p. 43 | | | |
| 1134-4190-01 | 10 | 1 | p. 13 | 1134-5989-01 | 39 | 1 | p. 25 | 1139-1150-01 | 8 | 2 | p. 47 | | | |
| 1134-4242-01 | 22 | 1 | p. 13 | 1134-6020-01 | 38 | 1 | p. 25 | 1139-1155-01 | 71 | 2 | p. 45 | | | |
| 1134-4242-01 | 52 | 2 | p. 11 | 1134-6039-01 | 23 | 1 | p. 17 | 1139-1155-01 | 71 | 2 | p. 49 | | | |
| 1134-4282-01 | 14 | 1 | p. 17 | 1134-6042-01 | 25 | 1 | p. 17 | 1139-1156-01 | 73 | 2 | p. 45 | | | |
| 1134-4282-01 | 16 | 1 | p. 19 | 1134-6042-01 | 48 | 2 | p. 21 | 1139-1156-01 | 73 | 2 | p. 49 | | | |
| 1134-4282-01 | 62 | 1 | p. 23 | 1134-6073-01 | 27 | 1 | p. 3 | 1139-1166-01 | 22 | 8 | p. 39 | | | |
| 1134-4338-01 | 26 | 1 | p. 31 | 1134-6314-01 | 6 | 1 | p. 27 | 1139-1189-01 | 13 | 1 | p. 43 | | | |
| 1134-4481-02 | 4 | 2 | p. 31 | 1134-6323-01 | 33 | 2 | p. 21 | 1139-1189-01 | 13 | 1 | p. 47 | | | |
| 1134-4587-01 | 63 | 1 | p. 23 | 1134-6452-01 | 46 | 1 | p. 27 | 1139-1194-01 | 70 | 2 | p. 45 | | | |
| 1134-4734-01 | 35 | 1 | p. 33 | 1134-7173-01 | 51 | 2 | p. 21 | 1139-1194-01 | 70 | 2 | p. 49 | | | |
| 1134-4796-01 | 41 | 2 | p. 13 | 1134-7175-01 | 49 | 2 | p. 21 | 1139-1256-01 | 64 | 1 | p. 43 | | | |
| 1134-4815-01 | 12 | 1 | p. 21 | 1134-7296-01 | 45 | 4 | p. 21 | 1139-1256-01 | 64 | 1 | p. 47 | | | |
| 1134-4816-01 | 11 | 1 | p. 21 | 1134-7465-01 | 73 | 1 | p. 15 | 1139-1260-01 | 75 | 1 | p. 45 | | | |
| 1134-4817-01 | 8 | 1 | p. 21 | 1134-7535-01 | 55 | 1 | p. 35 | 1139-1260-01 | 75 | 1 | p. 49 | | | |
| 1134-4824-01 | 31 | 2 | p. 21 | 1134-7535-01 | 65 | 1 | p. 35 | 1139-1261-01 | 76 | 1 | p. 45 | | | |
| 1134-4826-01 | 16 | 2 | p. 21 | 1134-7535-01 | 75 | 1 | p. 35 | 1139-1263-01 | 78 | 1 | p. 45 | | | |
| 1134-4844-03 | 39 | 2 | p. 13 | 1134-9058-01 | 14 | 1 | p. 13 | 1139-1264-01 | 79 | 1 | p. 45 | | | |
| 1134-4844-03 | 61 | 2 | p. 15 | 1134-9097-01 | 36 | 1 | p. 27 | 1139-1275-01 | 15 | 1 | p. 43 | | | |
| 1134-4947-01 | 17 | 4 | p. 21 | 1134-9098-01 | 16 | 1 | p. 27 | 1139-1280-01 | 17 | 1 | p. 43 | | | |
| 1134-4948-01 | 24 | 1 | p. 17 | 1137-0045-01 | 6 | 1 | p. 19 | 1139-1280-01 | 17 | 1 | p. 47 | | | |
| 1134-4948-01 | 32 | 6 | p. 21 | 1137-0071-01 | 9 | 1 | p. 21 | 1139-1281-01 | 82 | 2 | p. 45 | | | |
| | | | | 1137-0072-01 | 48 | 1 | p. 31 | 1139-1282-01 | 80 | 1 | p. 45 | | | |

| code | pos. | q.ty | page | | | | | | | | |
|--------------|------|------|-------|--------------|-----|----|-------|--------------|----|----|-------|
| 1139-1286-01 | 43 | 1 | p. 43 | 1139-1425-01 | 40 | 1 | p. 47 | 1139-1604-01 | 2 | 1 | p. 47 |
| 1139-1286-01 | 43 | 1 | p. 47 | 1139-1427-01 | 63 | 1 | p. 43 | 1139-1607-01 | 2 | 1 | p. 43 |
| 1139-1291-01 | 21 | 3 | p. 43 | 1139-1427-01 | 63 | 1 | p. 47 | 1139-1723-01 | 24 | 1 | p. 43 |
| 1139-1291-01 | 21 | 3 | p. 47 | 1139-1429-01 | 62 | 1 | p. 43 | 1139-1723-01 | 24 | 1 | p. 47 |
| 1139-1320-01 | 77 | 1 | p. 45 | 1139-1429-01 | 62 | 1 | p. 47 | 4231-0013-00 | 37 | 1 | p. 25 |
| 1139-1330-01 | 58 | 1 | p. 43 | 1139-1431-01 | 69 | 1 | p. 49 | 9400-0316-01 | 29 | 1 | p. 33 |
| 1139-1330-01 | 58 | 1 | p. 47 | 1139-1432-01 | 68 | 1 | p. 49 | 9402-3406-01 | 6 | 1 | p. 37 |
| 1139-1341-01 | 9 | 1 | p. 43 | 1139-1433-01 | 69 | 1 | p. 45 | 9402-3709-01 | 7 | 1 | p. 37 |
| 1139-1341-01 | 9 | 1 | p. 47 | 1139-1434-01 | 68 | 1 | p. 45 | 9501-0502-00 | 71 | 2 | p. 15 |
| 1139-1361-01 | 67 | 1 | p. 45 | 1139-1435-01 | 59 | 1 | p. 43 | 9501-0504-01 | 3 | 1 | p. 9 |
| 1139-1361-01 | 67 | 1 | p. 49 | 1139-1435-01 | 59 | 1 | p. 47 | 9545-0124-01 | 65 | 4 | p. 15 |
| 1139-1365-01 | 46 | 1 | p. 39 | 1139-1436-01 | 200 | 1 | p. 49 | 9545-0500-00 | 64 | 4 | p. 15 |
| 1139-1366-01 | 25 | 2 | p. 39 | 1139-1437-01 | 200 | 1 | p. 45 | 9547-0001-00 | 10 | 2 | p. 9 |
| 1139-1367-01 | 27 | 2 | p. 39 | 1139-1438-01 | 37 | 1 | p. 43 | 9549-0017-00 | 2 | 1 | p. 19 |
| 1139-1368-01 | 23 | 1 | p. 39 | 1139-1438-01 | 37 | 1 | p. 47 | 9570-0001-00 | 15 | 1 | p. 25 |
| 1139-1369-01 | 11 | 2 | p. 39 | 1139-1439-01 | 61 | 1 | p. 43 | 9570-0001-00 | 22 | 1 | p. 25 |
| 1139-1370-01 | 69 | 1 | p. 41 | 1139-1439-01 | 61 | 1 | p. 47 | 9578-0023-02 | 14 | 2 | p. 31 |
| 1139-1371-01 | 63 | 1 | p. 41 | 1139-1440-01 | 60 | 1 | p. 43 | 9578-0023-04 | 7 | 3 | p. 17 |
| 1139-1372-01 | 62 | 1 | p. 41 | 1139-1440-01 | 60 | 1 | p. 47 | 9578-0023-05 | 11 | 1 | p. 17 |
| 1139-1373-01 | 66 | 1 | p. 41 | 1139-1441-01 | 66 | 1 | p. 45 | 9578-0028-01 | 28 | 1 | p. 17 |
| 1139-1374-01 | 24 | 1 | p. 39 | 1139-1441-01 | 66 | 1 | p. 47 | 9595-0256-01 | 8 | 2 | p. 19 |
| 1139-1375-01 | 34 | 2 | p. 39 | 1139-1442-01 | 42 | 1 | p. 43 | 9595-0262-00 | 5 | 1 | p. 9 |
| 1139-1376-01 | 36 | 1 | p. 39 | 1139-1442-01 | 42 | 1 | p. 47 | 9595-0262-00 | 11 | 2 | p. 3 |
| 1139-1377-01 | 53 | 1 | p. 39 | 1139-1443-01 | 99 | 1 | p. 45 | 9598-0002-02 | 14 | 1 | p. 21 |
| 1139-1378-01 | 54 | 1 | p. 41 | 1139-1443-01 | 99 | 1 | p. 49 | 9599-0054-02 | 10 | 1 | p. 21 |
| 1139-1379-01 | 55 | 1 | p. 41 | 1139-1444-01 | 16 | 2 | p. 43 | 9600-0251-00 | 41 | 1 | p. 31 |
| 1139-1381-01 | 59 | 1 | p. 41 | 1139-1444-01 | 16 | 2 | p. 47 | 9653-0002-04 | 40 | 2 | p. 13 |
| 1139-1382-01 | 48 | 1 | p. 39 | 1139-1445-01 | 25 | 1 | p. 43 | 9653-0002-04 | 68 | 2 | p. 15 |
| 1139-1383-01 | 5 | 1 | p. 43 | 1139-1445-01 | 25 | 1 | p. 47 | 9665-0002-00 | 21 | 1 | p. 13 |
| 1139-1384-01 | 5 | 1 | p. 47 | 1139-1446-01 | 28 | 2 | p. 43 | 9665-0002-00 | 43 | 1 | p. 27 |
| 1139-1385-01 | 38 | 1 | p. 39 | 1139-1446-01 | 28 | 2 | p. 47 | 9665-0002-00 | 51 | 2 | p. 11 |
| 1139-1386-01 | 39 | 1 | p. 39 | 1139-1447-01 | 29 | 2 | p. 43 | 9695-0011-00 | 1 | 1 | p. 19 |
| 1139-1387-01 | 67 | 1 | p. 41 | 1139-1447-01 | 29 | 2 | p. 47 | 9699-0030-02 | 2 | 1 | p. 27 |
| 1139-1388-01 | 10 | 1 | p. 43 | 1139-1448-01 | 22 | 11 | p. 43 | 9699-0030-02 | 8 | 1 | p. 27 |
| 1139-1388-01 | 10 | 1 | p. 47 | 1139-1448-01 | 22 | 11 | p. 47 | 9699-0030-02 | 35 | 1 | p. 25 |
| 1139-1389-01 | 37 | 1 | p. 39 | 1139-1449-01 | 27 | 2 | p. 43 | 9699-0035-02 | 13 | 1 | p. 9 |
| 1139-1390-01 | 57 | 1 | p. 41 | 1139-1449-01 | 27 | 2 | p. 47 | 9699-0035-02 | 23 | 1 | p. 27 |
| 1139-1391-01 | 14 | 1 | p. 43 | 1139-1450-01 | 83 | 1 | p. 45 | 9699-0060-02 | 48 | 2 | p. 5 |
| 1139-1391-01 | 14 | 1 | p. 47 | 1139-1450-01 | 83 | 1 | p. 49 | 9699-0090-02 | 25 | 1 | p. 19 |
| 1139-1391-01 | 49 | 1 | p. 39 | 1139-1453-01 | 43 | 1 | p. 43 | 9699-0090-02 | 31 | 1 | p. 13 |
| 1139-1392-01 | 58 | 1 | p. 41 | 1139-1453-01 | 43 | 1 | p. 47 | 9699-0090-02 | 46 | 2 | p. 13 |
| 1139-1393-01 | 47 | 1 | p. 39 | 1139-1500-01 | 26 | 1 | p. 43 | 9699-0090-02 | 50 | 2 | p. 13 |
| 1139-1395-01 | 64 | 1 | p. 41 | 1139-1500-01 | 26 | 1 | p. 47 | 9699-0109-02 | 33 | 1 | p. 27 |
| 1139-1396-01 | 12 | 1 | p. 39 | 1139-1503-01 | 24 | 1 | p. 43 | 9710-0631-12 | 9 | 1 | p. 3 |
| 1139-1397-01 | 15 | 1 | p. 43 | 1139-1503-01 | 24 | 1 | p. 47 | 9731-1031-22 | 4 | 2 | p. 13 |
| 1139-1397-01 | 15 | 1 | p. 47 | 1139-1504-01 | 36 | 1 | p. 43 | 9731-1031-22 | 13 | 1 | p. 13 |
| 1139-1398-01 | 65 | 2 | p. 45 | 1139-1504-01 | 36 | 1 | p. 47 | 9731-1031-22 | 37 | 2 | p. 13 |
| 1139-1398-01 | 65 | 2 | p. 47 | 1139-1509-01 | 38 | 1 | p. 43 | 9731-1031-22 | 66 | 12 | p. 15 |
| 1139-1415-01 | 74 | 2 | p. 45 | 1139-1509-01 | 38 | 1 | p. 47 | 9731-1031-22 | 68 | 2 | p. 15 |
| 1139-1415-01 | 74 | 2 | p. 49 | 1139-1513-01 | 21 | 1 | p. 39 | 9739-0531-22 | 16 | 1 | p. 25 |
| 1139-1416-01 | 2 | 1 | p. 43 | 1139-1514-01 | 2 | 1 | p. 39 | 9739-0531-22 | 21 | 1 | p. 25 |
| 1139-1417-01 | 2 | 1 | p. 43 | 1139-1515-01 | 19 | 1 | p. 39 | 9739-0531-22 | 28 | 2 | p. 25 |
| 1139-1417-01 | 2 | 1 | p. 47 | 1139-1516-01 | 10 | 1 | p. 39 | 9739-0631-22 | 14 | 3 | p. 33 |
| 1139-1418-01 | 3 | 1 | p. 43 | 1139-1517-01 | 45 | 1 | p. 39 | 9739-0631-22 | 20 | 2 | p. 25 |
| 1139-1418-01 | 3 | 1 | p. 47 | 1139-1519-01 | 33 | 1 | p. 39 | 9739-0631-22 | 30 | 2 | p. 33 |
| 1139-1419-01 | 24 | 1 | p. 43 | 1139-1522-01 | 70 | 1 | p. 41 | 9739-0631-22 | 32 | 2 | p. 33 |
| 1139-1419-01 | 24 | 1 | p. 47 | 1139-1524-01 | 44 | 1 | p. 39 | 9739-0631-22 | 33 | 2 | p. 19 |
| 1139-1420-01 | 12 | 1 | p. 43 | 1139-1529-01 | 29 | 1 | p. 39 | 9739-1031-22 | 9 | 1 | p. 27 |
| 1139-1420-01 | 12 | 1 | p. 47 | 1139-1530-01 | 28 | 1 | p. 39 | 9739-1031-22 | 15 | 1 | p. 27 |
| 1139-1421-01 | 11 | 1 | p. 43 | 1139-1531-01 | 58 | 1 | p. 43 | 9739-1031-22 | 19 | 1 | p. 13 |
| 1139-1421-01 | 11 | 1 | p. 47 | 1139-1532-01 | 8 | 1 | p. 39 | 9739-1031-22 | 24 | 1 | p. 27 |
| 1139-1422-01 | 36 | 1 | p. 43 | 1139-1533-01 | 30 | 1 | p. 39 | 9739-1031-22 | 36 | 1 | p. 25 |
| 1139-1422-01 | 36 | 1 | p. 47 | 1139-1535-01 | 40 | 2 | p. 39 | 9739-1031-22 | 40 | 1 | p. 27 |
| 1139-1423-01 | 30 | 2 | p. 43 | 1139-1536-01 | 41 | 4 | p. 39 | 9739-1031-22 | 76 | 2 | p. 15 |
| 1139-1424-01 | 30 | 2 | p. 47 | 1139-1537-01 | 42 | 1 | p. 39 | 9743-5121-32 | 26 | 2 | p. 33 |
| 1139-1425-01 | 40 | 1 | p. 43 | 1139-1538-01 | 43 | 1 | p. 39 | 9893-0616-16 | 14 | 2 | p. 21 |
| | | | | 1139-1603-01 | 5 | 1 | p. 47 | 9893-0616-16 | 18 | 4 | p. 9 |

| code | pos. | q.ty | page | | | | | | | | | | | |
|--------------|------|------|-------|-------------|----|----|-------|-------------|----|---|-------|--|--|--|
| 9893-0616-16 | 26 | 1 | p. 3 | 112000401/0 | 12 | 4 | p. 19 | 112521460/0 | 26 | 2 | p. 5 | | | |
| 9893-0616-16 | 27 | 2 | p. 5 | 112000401/0 | 37 | 1 | p. 21 | 112521460/0 | 28 | 2 | p. 5 | | | |
| 9893-0616-16 | 30 | 10 | p. 9 | 112000402/0 | 65 | 2 | p. 23 | 112522050/0 | 44 | 8 | p. 21 | | | |
| 9893-0616-16 | 32 | 18 | p. 9 | 112000915/0 | 34 | 2 | p. 5 | 112523020/0 | 37 | 1 | p. 33 | | | |
| 9893-0616-16 | 35 | 1 | p. 31 | 112154210/0 | 22 | 5 | p. 9 | 112523040/0 | 12 | 3 | p. 33 | | | |
| 9893-0616-16 | 40 | 2 | p. 5 | 112154210/0 | 57 | 1 | p. 31 | 112523040/0 | 68 | 4 | p. 23 | | | |
| 9893-0616-16 | 40 | 4 | p. 9 | 112154220/0 | 21 | 2 | p. 3 | 112523040/0 | 71 | 2 | p. 23 | | | |
| 9893-0616-16 | 43 | 1 | p. 5 | 112154220/0 | 26 | 1 | p. 13 | 112523050/0 | 54 | 2 | p. 29 | | | |
| 9893-0616-16 | 45 | 3 | p. 5 | 112154220/0 | 34 | 1 | p. 31 | 112523050/0 | 74 | 1 | p. 29 | | | |
| 9893-0616-16 | 46 | 3 | p. 5 | 112154220/0 | 48 | 2 | p. 27 | 112523050/0 | 79 | 2 | p. 29 | | | |
| 9893-0616-16 | 53 | 5 | p. 5 | 112154220/0 | 49 | 2 | p. 31 | 112523060/0 | 33 | 1 | p. 31 | | | |
| 9893-0616-16 | 54 | 5 | p. 5 | 112154220/0 | 53 | 1 | p. 33 | 112523060/0 | 41 | 4 | p. 5 | | | |
| 9893-0616-16 | 57 | 2 | p. 29 | 112154220/0 | 57 | 2 | p. 11 | 112523060/0 | 52 | 4 | p. 5 | | | |
| 9893-0616-16 | 58 | 2 | p. 7 | 112154220/0 | 63 | 1 | p. 35 | 112523060/0 | 61 | 4 | p. 7 | | | |
| 9893-0616-16 | 62 | 8 | p. 7 | 112154220/0 | 73 | 1 | p. 35 | 112524006/0 | 26 | 1 | p. 19 | | | |
| 9897-0820-16 | 23 | 4 | p. 9 | 112154330/0 | 14 | 1 | p. 25 | 112524010/0 | 77 | 2 | p. 29 | | | |
| 9897-0820-16 | 38 | 2 | p. 9 | 112154330/0 | 23 | 1 | p. 25 | 112540260/0 | 56 | 2 | p. 31 | | | |
| 9897-0880-12 | 26 | 2 | p. 9 | 112154330/0 | 89 | 2 | p. 29 | 112543000/0 | 43 | 1 | p. 31 | | | |
| 9898-1035-16 | 75 | 2 | p. 15 | 112154510/0 | 5 | 2 | p. 31 | 112583500/0 | 4 | 1 | p. 3 | | | |
| 9931-3516-16 | 67 | 2 | p. 23 | 112154510/0 | 11 | 1 | p. 27 | 112583500/0 | 10 | 2 | p. 25 | | | |
| 9939-0612-16 | 5 | 3 | p. 19 | 112154510/0 | 27 | 1 | p. 27 | 112583500/0 | 36 | 4 | p. 3 | | | |
| 9943-0516-16 | 5 | 2 | p. 33 | 112154510/0 | 30 | 1 | p. 3 | 112604896/0 | 6 | 2 | p. 13 | | | |
| 9943-0516-16 | 8 | 2 | p. 33 | 112154510/0 | 49 | 2 | p. 5 | 112620299/0 | 5 | 1 | p. 3 | | | |
| 9943-0516-16 | 54 | 2 | p. 11 | 112154510/0 | 56 | 2 | p. 29 | 112674700/0 | 26 | 1 | p. 27 | | | |
| 9943-0516-16 | 56 | 4 | p. 7 | 112154510/0 | 59 | 2 | p. 29 | 112689515/0 | 10 | 1 | p. 27 | | | |
| 9945-0816-16 | 4 | 1 | p. 19 | 112154510/0 | 62 | 1 | p. 29 | 112691115/0 | 35 | 4 | p. 3 | | | |
| 9945-0816-16 | 10 | 2 | p. 31 | 112154510/0 | 65 | 1 | p. 29 | 112691115/0 | 55 | 1 | p. 31 | | | |
| 9945-0816-16 | 16 | 4 | p. 9 | 112154510/0 | 72 | 2 | p. 23 | 112691900/0 | 45 | 2 | p. 13 | | | |
| 9945-0816-16 | 18 | 6 | p. 3 | 112154510/0 | 75 | 1 | p. 29 | 112692080/0 | 24 | 1 | p. 19 | | | |
| 9945-0816-16 | 30 | 2 | p. 25 | 112154510/0 | 80 | 2 | p. 29 | 112726388/0 | 20 | 1 | p. 31 | | | |
| 9945-0816-16 | 42 | 4 | p. 5 | 112154510/0 | 82 | 1 | p. 29 | 112727796/0 | 63 | 6 | p. 7 | | | |
| 9945-0816-16 | 46 | 4 | p. 9 | 112154510/0 | 85 | 1 | p. 29 | 112727796/0 | 86 | 2 | p. 29 | | | |
| 9945-0816-16 | 50 | 6 | p. 5 | 112154510/0 | 91 | 1 | p. 29 | 112727801/0 | 46 | 4 | p. 3 | | | |
| 9945-0816-16 | 51 | 2 | p. 27 | 112154510/0 | 94 | 1 | p. 29 | 112728124/0 | 36 | 1 | p. 33 | | | |
| 9945-0816-16 | 54 | 2 | p. 13 | 112155000/0 | 13 | 2 | p. 25 | 112728124/0 | 39 | 2 | p. 33 | | | |
| 9945-0816-16 | 60 | 4 | p. 7 | 112155000/0 | 23 | 1 | p. 13 | 112728697/0 | 6 | 1 | p. 17 | | | |
| 9945-0816-16 | 61 | 1 | p. 35 | 112155000/0 | 25 | 6 | p. 9 | 112728697/0 | 10 | 2 | p. 33 | | | |
| 9945-0825-16 | 47 | 2 | p. 9 | 112155000/0 | 27 | 1 | p. 19 | 112728697/0 | 20 | 2 | p. 33 | | | |
| 9945-0825-16 | 59 | 3 | p. 11 | 112155000/0 | 29 | 2 | p. 13 | 112728697/0 | 24 | 2 | p. 33 | | | |
| 9947-0540-19 | 42 | 2 | p. 13 | 112155000/0 | 33 | 1 | p. 13 | 112728697/0 | 43 | 3 | p. 25 | | | |
| 9955-3725-16 | 45 | 3 | p. 31 | 112155000/0 | 39 | 2 | p. 9 | 112728698/0 | 2 | 2 | p. 33 | | | |
| 9959-0620-16 | 19 | 2 | p. 25 | 112155000/0 | 44 | 1 | p. 27 | 112728698/0 | 37 | 2 | p. 5 | | | |
| 9959-0820-16 | 10 | 4 | p. 19 | 112155000/0 | 48 | 2 | p. 13 | 112728698/0 | 50 | 3 | p. 31 | | | |
| 9959-0820-16 | 19 | 4 | p. 3 | 112155000/0 | 53 | 1 | p. 13 | 112728698/0 | 55 | 2 | p. 7 | | | |
| 9959-0820-16 | 24 | 1 | p. 13 | 112155000/0 | 53 | 2 | p. 11 | 112728698/0 | 64 | 5 | p. 7 | | | |
| 9959-0820-16 | 31 | 2 | p. 3 | 112155015/0 | 5 | 1 | p. 25 | 112728699/0 | 25 | 2 | p. 5 | | | |
| 9959-0820-16 | 32 | 1 | p. 31 | 112155015/0 | 8 | 1 | p. 25 | 112728699/0 | 31 | 2 | p. 5 | | | |
| 9959-0820-16 | 47 | 2 | p. 27 | 112155015/0 | 61 | 1 | p. 11 | 112728699/0 | 43 | 7 | p. 9 | | | |
| 9959-0820-16 | 47 | 2 | p. 31 | 112156602/0 | 5 | 2 | p. 21 | 112728706/0 | 26 | 4 | p. 21 | | | |
| 9959-0820-16 | 51 | 1 | p. 33 | 112156602/0 | 23 | 1 | p. 19 | 112735105/0 | 24 | 2 | p. 31 | | | |
| 9959-0820-16 | 55 | 2 | p. 11 | 112290800/0 | 22 | 1 | p. 31 | 112735105/0 | 54 | 2 | p. 33 | | | |
| 9959-0820-16 | 71 | 1 | p. 35 | 112292100/0 | 19 | 2 | p. 33 | 112735105/0 | 64 | 2 | p. 35 | | | |
| 9959-0825-16 | 29 | 1 | p. 17 | 112292102/0 | 25 | 3 | p. 21 | 112735105/0 | 74 | 2 | p. 35 | | | |
| 9959-1025-16 | 11 | 2 | p. 9 | 112292102/0 | 72 | 1 | p. 29 | 112735402/0 | 29 | 5 | p. 5 | | | |
| 9960-0860-12 | 27 | 2 | p. 13 | 112320450/0 | 58 | 2 | p. 21 | 112735402/0 | 34 | 4 | p. 9 | | | |
| 9987-5376-12 | 44 | 1 | p. 31 | 112375000/0 | 36 | 1 | p. 21 | 112735598/0 | 75 | 1 | p. 23 | | | |
| 9997-0812-02 | 30 | 1 | p. 13 | 112375001/0 | 55 | 2 | p. 21 | 112735669/0 | 21 | 3 | p. 21 | | | |
| 9997-0880-16 | 2 | 1 | p. 25 | 112379511/0 | 2 | 1 | p. 9 | 112735669/0 | 53 | 2 | p. 29 | | | |
| 9997-0880-16 | 49 | 1 | p. 13 | 112379511/0 | 8 | 2 | p. 9 | 112737450/0 | 39 | 4 | p. 31 | | | |
| 9997-1011-06 | 1 | 1 | p. 27 | 112379511/0 | 36 | 2 | p. 13 | 112760515/0 | 39 | 4 | p. 31 | | | |
| 9997-1040-16 | 2 | 2 | p. 13 | 112379511/0 | 57 | 2 | p. 15 | 112760520/0 | 6 | 1 | p. 25 | | | |
| 9997-1040-16 | 34 | 2 | p. 13 | 112446500/0 | 47 | 4 | p. 21 | 112760572/0 | 18 | 1 | p. 19 | | | |
| 9997-1040-16 | 55 | 2 | p. 15 | 112500070/0 | 24 | 20 | p. 3 | 112760600/0 | 9 | 2 | p. 25 | | | |
| 9997-1070-12 | 18 | 1 | p. 27 | 112500094/0 | 32 | 4 | p. 3 | 112760610/0 | 21 | 1 | p. 9 | | | |
| 9997-1070-12 | 32 | 1 | p. 25 | 112521330/0 | 13 | 4 | p. 21 | 112789008/0 | 24 | 2 | p. 25 | | | |
| 112000400/0 | 52 | 2 | p. 21 | 112521330/0 | 17 | 4 | p. 33 | 112791200/1 | 27 | 2 | p. 33 | | | |
| | | | | 112521360/0 | 19 | 2 | p. 19 | 112791200/1 | 31 | 2 | p. 33 | | | |

| code | pos. | q.ty | page | | | | | | | | | | | |
|-------------|------|------|-------|-------------|----|---|-------|-------------|----|---|-------|--|--|--|
| 112791200/1 | 70 | 2 | p. 23 | 137510301/0 | 22 | 1 | p. 19 | 337961200/0 | 1 | 1 | p. 3 | | | |
| 112791200/1 | 81 | 1 | p. 29 | 137510302/0 | 11 | 2 | p. 25 | 387000301/0 | 41 | 1 | p. 25 | | | |
| 112791200/1 | 83 | 1 | p. 29 | 137722603/0 | 38 | 1 | p. 3 | 387057500/0 | 35 | 1 | p. 9 | | | |
| 112791200/1 | 91 | 1 | p. 29 | 137793050/0 | 1 | 1 | p. 31 | 387130000/0 | 4 | 1 | p. 9 | | | |
| 112791400/0 | 16 | 2 | p. 33 | 137840001/0 | 3 | 1 | p. 31 | 387150000/1 | 20 | 1 | p. 5 | | | |
| 112791500/0 | 11 | 3 | p. 33 | 137840002/0 | 6 | 1 | p. 31 | 387184250/0 | 1 | 1 | p. 33 | | | |
| 112791500/0 | 60 | 1 | p. 29 | 137840003/0 | 7 | 1 | p. 31 | 387185100/0 | 39 | 1 | p. 3 | | | |
| 112791500/0 | 63 | 1 | p. 29 | 187000200/0 | 17 | 1 | p. 25 | 387256051/0 | 6 | 1 | p. 21 | | | |
| 112791500/0 | 71 | 1 | p. 29 | 187000201/0 | 23 | 1 | p. 31 | 387457001/0 | 42 | 1 | p. 9 | | | |
| 112791500/0 | 76 | 2 | p. 29 | 187000454/0 | 63 | 4 | p. 15 | 387500001/0 | 1 | 1 | p. 25 | | | |
| 112791500/0 | 90 | 1 | p. 29 | 187040300/0 | 3 | 1 | p. 33 | 387500003/0 | 31 | 1 | p. 25 | | | |
| 112793102/0 | 3 | 1 | p. 3 | 187145000/0 | 22 | 1 | p. 21 | 387507501/0 | 17 | 1 | p. 9 | | | |
| 112794300/0 | 3 | 2 | p. 21 | 187305500/0 | 9 | 1 | p. 19 | 387520101/1 | 6 | 1 | p. 3 | | | |
| 112794300/0 | 17 | 1 | p. 13 | 187318253/0 | 23 | 3 | p. 21 | 387520105/1 | 8 | 1 | p. 3 | | | |
| 112794900/0 | 13 | 1 | p. 27 | 187584000/0 | 20 | 1 | p. 19 | 387547001/0 | 33 | 1 | p. 9 | | | |
| 112794900/0 | 37 | 1 | p. 27 | 337031585/0 | 40 | 1 | p. 33 | 387547003/0 | 36 | 1 | p. 9 | | | |
| 112815200/0 | 31 | 2 | p. 19 | 337060002/0 | 58 | 1 | p. 29 | 387547005/0 | 37 | 1 | p. 9 | | | |
| 112815200/0 | 47 | 2 | p. 5 | 337060005/0 | 88 | 1 | p. 29 | 387547007/0 | 31 | 1 | p. 9 | | | |
| 112818700/0 | 20 | 4 | p. 9 | 337060006/0 | 73 | 1 | p. 29 | 387547009/0 | 28 | 1 | p. 9 | | | |
| 114358460/0 | 4 | 1 | p. 37 | 337060007/0 | 61 | 1 | p. 29 | 387547011/0 | 24 | 1 | p. 9 | | | |
| 114367494/2 | 5 | 1 | p. 37 | 337060008/0 | 64 | 1 | p. 29 | 387547013/0 | 22 | 1 | p. 3 | | | |
| 114367494/2 | 8 | 2 | p. 37 | 337076801/0 | 4 | 1 | p. 5 | 387547015/0 | 29 | 1 | p. 3 | | | |
| 114367752/0 | 10 | 1 | p. 37 | 337085501/0 | 29 | 1 | p. 9 | 387547017/0 | 44 | 1 | p. 9 | | | |
| 114368383/0 | 3 | 1 | p. 37 | 337108501/0 | 51 | 1 | p. 31 | 387547019/0 | 45 | 1 | p. 9 | | | |
| 114368384/1 | 1 | 1 | p. 37 | 337109500/0 | 6 | 1 | p. 33 | 387559001/0 | 41 | 1 | p. 9 | | | |
| 114368425/0 | 2 | 1 | p. 37 | 337109530/0 | 2 | 1 | p. 21 | 387559002/0 | 27 | 1 | p. 21 | | | |
| 114368479/0 | 9 | 2 | p. 37 | 337109531/0 | 39 | 1 | p. 5 | 387594001/0 | 1 | 1 | p. 5 | | | |
| 118210026/0 | 34 | 1 | p. 33 | 337109532/0 | 38 | 1 | p. 5 | 387602501/0 | 60 | 1 | p. 11 | | | |
| 118475000/0 | 1 | 1 | p. 13 | 337110301/0 | 3 | 1 | p. 5 | 387602503/0 | 58 | 1 | p. 11 | | | |
| 118475000/0 | 1 | 1 | p. 39 | 337110302/0 | 2 | 1 | p. 5 | 387650001/0 | 3 | 1 | p. 19 | | | |
| 118564861/1 | 15 | 2 | p. 33 | 337110303/0 | 7 | 1 | p. 5 | 387680309/0 | 62 | 4 | p. 15 | | | |
| 118736110/0 | 25 | 1 | p. 33 | 337110304/0 | 5 | 1 | p. 5 | 387735253/0 | 1 | 1 | p. 17 | | | |
| 118737220/0 | 15 | 8 | p. 3 | 337110305/0 | 6 | 1 | p. 5 | 387754201/0 | 20 | 1 | p. 3 | | | |
| 118738253/0 | 37 | 1 | p. 31 | 337110306/0 | 15 | 1 | p. 5 | 387773507/0 | 29 | 1 | p. 25 | | | |
| 118802897/0 | 66 | 1 | p. 35 | 337110307/0 | 14 | 1 | p. 5 | 387785201/0 | 19 | 1 | p. 9 | | | |
| 118803490/0 | 5 | 1 | p. 17 | 337110308/0 | 17 | 1 | p. 5 | 387785203/0 | 16 | 1 | p. 3 | | | |
| 118803491/0 | 41 | 1 | p. 33 | 337110309/0 | 19 | 1 | p. 5 | 387785205/0 | 51 | 1 | p. 13 | | | |
| 118803492/0 | 43 | 1 | p. 33 | 337110310/0 | 18 | 1 | p. 5 | 387785217/0 | 62 | 1 | p. 35 | | | |
| 118870050/0 | 13 | 2 | p. 39 | 337110311/0 | 10 | 1 | p. 5 | 387800001/0 | 14 | 1 | p. 9 | | | |
| 118870051/0 | 14 | 1 | p. 39 | 337110312/0 | 12 | 1 | p. 5 | 387800003/0 | 1 | 1 | p. 9 | | | |
| 118870052/0 | 15 | 1 | p. 39 | 337207100/0 | 9 | 1 | p. 5 | 387800005/0 | 7 | 1 | p. 9 | | | |
| 118870053/0 | 16 | 1 | p. 39 | 337245200/0 | 7 | 1 | p. 33 | 387869500/0 | 18 | 1 | p. 17 | | | |
| 118870054/0 | 17 | 1 | p. 39 | 337394200/0 | 32 | 1 | p. 5 | 387869501/0 | 11 | 1 | p. 19 | | | |
| 118870055/0 | 18 | 1 | p. 39 | 337394201/0 | 7 | 1 | p. 3 | 387869502/0 | 13 | 1 | p. 19 | | | |
| 118870056/0 | 20 | 1 | p. 39 | 337491250/0 | 13 | 1 | p. 5 | 387869503/0 | 41 | 1 | p. 21 | | | |
| 118870057/0 | 50 | 1 | p. 39 | 337491251/0 | 11 | 1 | p. 5 | 387869503/0 | 42 | 1 | p. 21 | | | |
| 118870058/0 | 56 | 1 | p. 41 | 337502500/0 | 8 | 1 | p. 5 | 387869504/0 | 53 | 1 | p. 21 | | | |
| 119410619/0 | 44 | 1 | p. 33 | 337502501/0 | 1 | 1 | p. 21 | 387869504/0 | 54 | 1 | p. 21 | | | |
| 122170610/0 | 13 | 3 | p. 33 | 337546531/0 | 23 | 4 | p. 3 | 387869505/0 | 66 | 1 | p. 23 | | | |
| 122671651/0 | 48 | 2 | p. 9 | 337546535/0 | 25 | 4 | p. 3 | 387869506/0 | 15 | 1 | p. 19 | | | |
| 125580020/2 | 30 | 2 | p. 5 | 337546545/0 | 20 | 1 | p. 27 | 387869507/0 | 14 | 1 | p. 19 | | | |
| 133320509/0 | 54 | 1 | p. 31 | 337546551/0 | 18 | 1 | p. 25 | 387869508/0 | 17 | 1 | p. 19 | | | |
| 133340036/0 | 22 | 1 | p. 33 | 337580470/0 | 9 | 1 | p. 33 | 387869509/0 | 35 | 1 | p. 21 | | | |
| 133567002/0 | 38 | 1 | p. 33 | 337580550/0 | 2 | 1 | p. 3 | 387869510/0 | 61 | 1 | p. 21 | | | |
| 137038000/0 | 21 | 1 | p. 27 | 337592150/0 | 21 | 1 | p. 31 | 387869512/0 | 20 | 1 | p. 17 | | | |
| 137040600/0 | 4 | 3 | p. 25 | 337592350/0 | 45 | 1 | p. 3 | 387869513/0 | 26 | 1 | p. 17 | | | |
| 137040601/0 | 7 | 1 | p. 19 | 337600001/2 | 22 | 1 | p. 27 | | | | | | | |
| 137040602/0 | 37 | 4 | p. 3 | 337600016/0 | 93 | 1 | p. 29 | | | | | | | |
| 137065301/0 | 45 | 1 | p. 33 | 337600017/0 | 84 | 1 | p. 29 | | | | | | | |
| 137065302/0 | 42 | 1 | p. 33 | 337735110/0 | 2 | 1 | p. 31 | | | | | | | |
| 137090200/0 | 25 | 1 | p. 31 | 337737500/0 | 17 | 1 | p. 3 | | | | | | | |
| 137160000/0 | 3 | 1 | p. 25 | 337774007/0 | 4 | 1 | p. 21 | | | | | | | |
| 137294101/0 | 87 | 1 | p. 29 | 337785011/0 | 69 | 1 | p. 23 | | | | | | | |
| 137295200/0 | 32 | 1 | p. 19 | 337785021/0 | 33 | 1 | p. 5 | | | | | | | |
| 137430100/0 | 36 | 1 | p. 5 | 337785023/0 | 9 | 1 | p. 31 | | | | | | | |
| 137510300/0 | 35 | 1 | p. 5 | 337785025/0 | 28 | 1 | p. 33 | | | | | | | |
| | | | | 337785100/0 | 78 | 1 | p. 29 | | | | | | | |