

# STIGA

## *Reservdelskatalog Parts Catalogue*

### ***PARK PRO DIESEL***

***13-6231-15 - Season 2004***

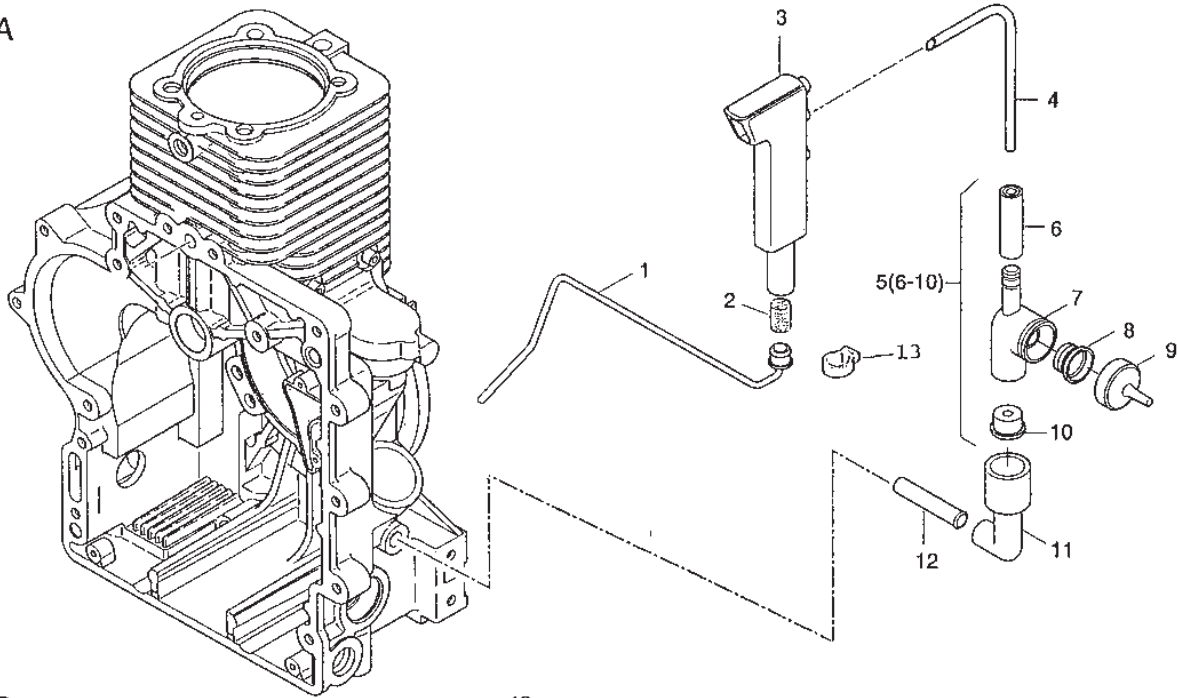
- Use GLOBAL GARDEN PRODUCT Genuine Spare Parts specified in the parts list for repair and/or replacement.
  - The contents described in the parts list may change due to improvement.
  - The drawings of the spare parts are only indicative and might not represent the part in question exactly.
  - The indications "right" - "left" - "front" - "rear" refer to the position of the operator when using the machine.
- When placing orders of parts for repair and/or replacement, make sure that the illustrated parts list is the one applying to the machine's year of manufacture, as shown on the identification plate attached to the machine.

© Copyright 2004 Global Garden Products

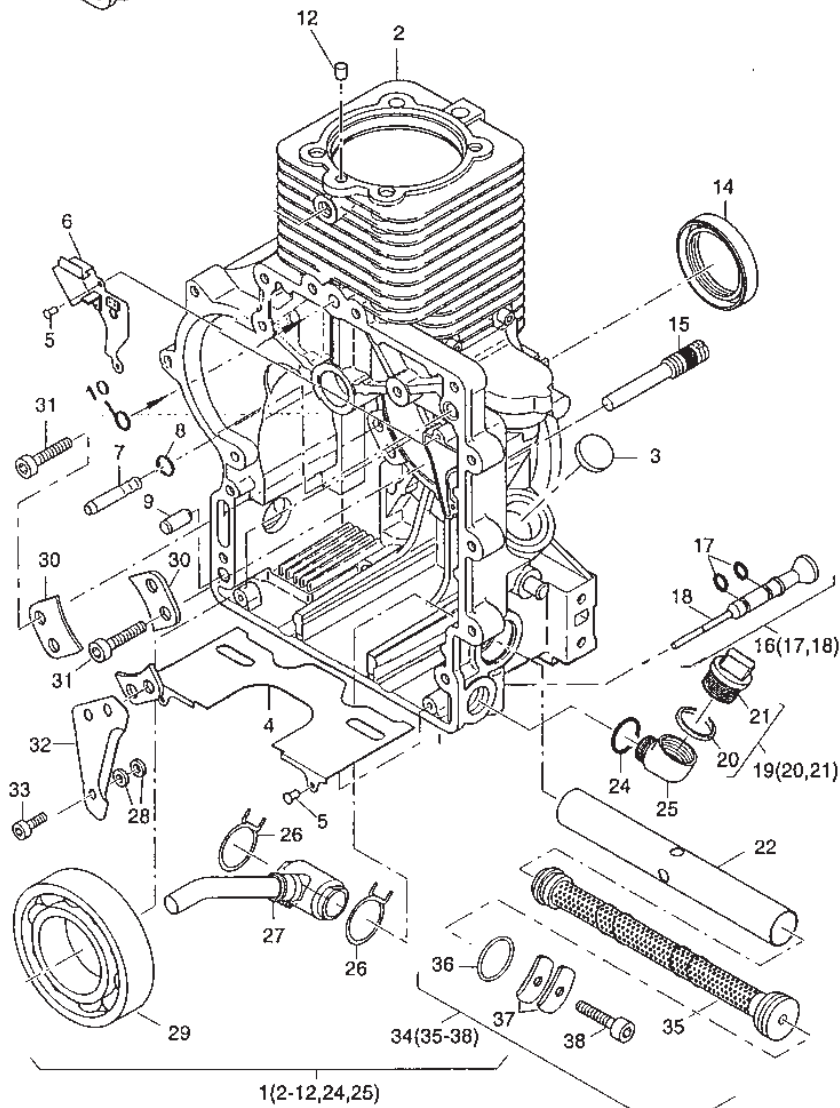
All rights reserved. No part of this material may be reproduced or transmitted, in any form or by any means, electronic or mechanical, including photocopying, recording or by any information storage and retrieval system, without permission in writing from GLOBAL GARDEN PRODUCTS.

*[www.stiga.com](http://www.stiga.com)*

A

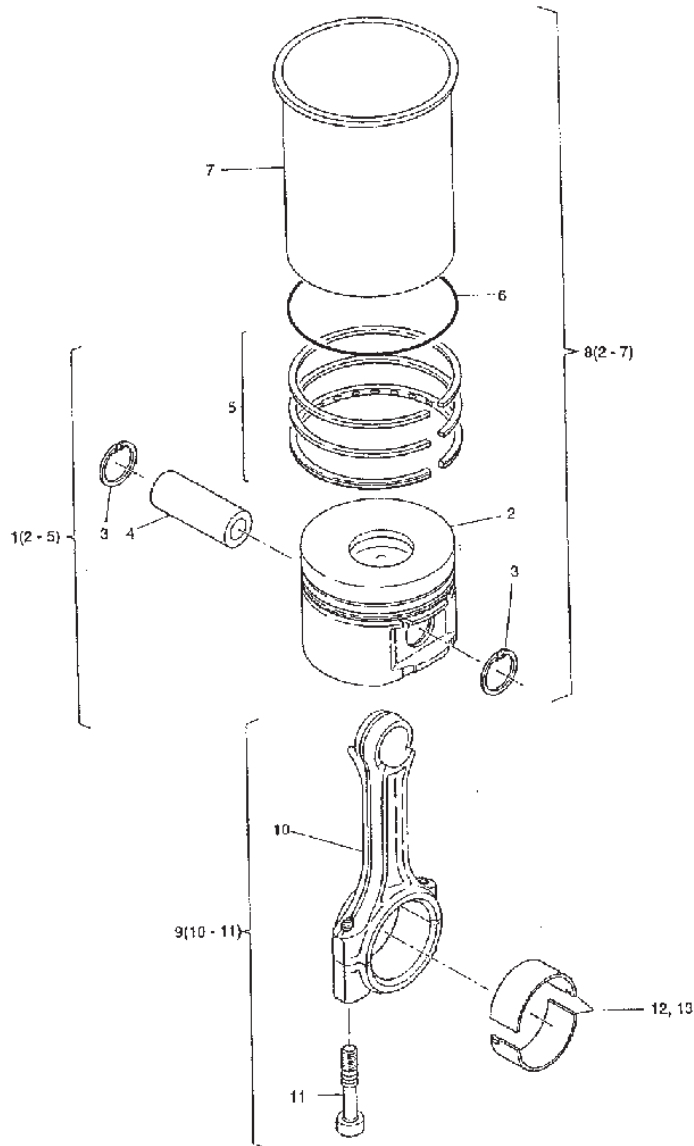


B

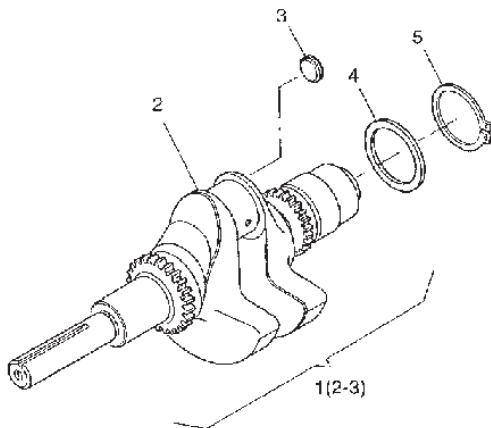


Utgåva Issue 20 - 2015		Vevhusventilation (A) Vevhus (B)		Breather (A) Crankcase (B)	
Pos. Fig.	Antal Q.ty	Art nr Part No	Benämning	Description	Anmärkning Notes
1	1	013 726 00	Return tube	Return tube	
1	1	017 042 00	Crankcase assy	Crankcase assy	Inkl. 2 - 12, 24 - 25
2	1	051 029 00	Filter	Filter	
3	1	042 021 00	Oljefälla	Oil trap	
4	1	042 020 00	Rör	Tube	/152E
4	1	041 416 00	Luftledare	Air Guide	
5	1	013 735 00	Valve assy	Valve assy	Inkl. pos 6 - 10/152E
5	4	400 026 00	Skruv	Screw	
6	1	013 732 00	Reduktionsrör	Reduction piece	/152E
6	1	013 364 00	Fäste	Bracket	
7	1	050 843 00	Axel	Shaft	
8	1	035 687 00	Membran	Diaphragm	
8	1	504 403 00	O-ring	O-ring	
9	1	035 686 00	Breather cap	Breather cap	
9	1	502 491 01	Styrpinne	Dowel	
10	1	400 223 00	O-ring	O-ring	/152E
11	1	041 361 00	Breather hose	Breather hose	/152E
13	1	504 568 00	Clamp	Clamp	/152E
14	1	504 790 00	Seal	Seal	/152E
15	1	041 444 01	Skruv	Screw	/152E
16	1	013 505 01	Oil dipstick assy	Oil dipstick assy	Inkl. pos 17, 18/152E
17	2	400 220 00	O-ring	O-ring	/152E
19	1	016 131 00	Oljeplugg	Oil plug assy	Inkl. pos 20, 21/152E
20	1	041 250 00	O-ring	O-ring	/152E
22	1	041 415 00	Rör	Tube	/152E
24	1	504 759 01	O-ring	O-ring	/152E
26	2	050 369 00	Clamp	Clamp	/152E
27	1	013 641 00	Rör	Tube	/152E
28	2	502 163 00	Bricka	Washer	/152E
29	1	504 789 00	Kullager	Ball Bearing	/152E
30	3	041 338 00	Fäste	Bracket	/152E
31	6	501 432 00	Bult	Bolt	/152E
32	1	041 994 00	Fäste	Bracket	/152E
33	1	502 745 00	Bult	Bolt	/152E
34	1	015 427 02	Oljefilter kpl	Oil filter assy	Inkl. pos 35 - 38/152E
36	1	504 759 01	O-ring	O-ring	/152E
37	2	051 482 00	Fäste	Bracket	/152E
38	1	501 707 00	Bult	Bolt	/152E

A

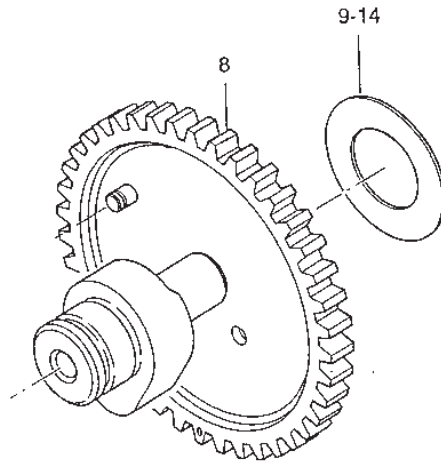


B

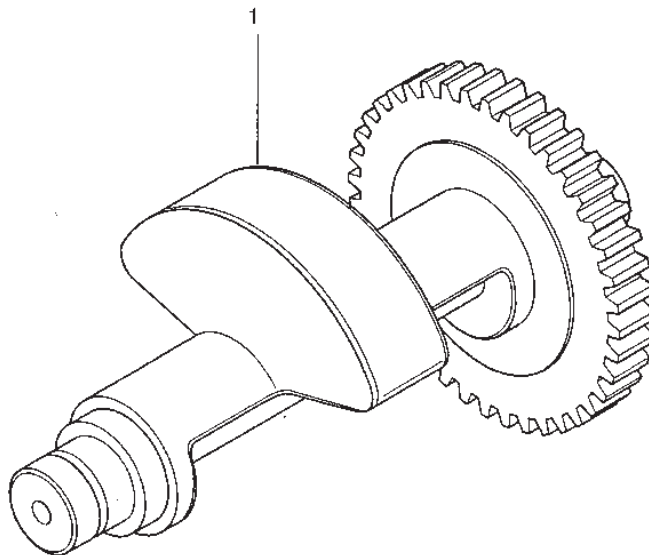


Utgåva Issue 20 - 2015		Kolv, Vevstake (A) Vevaxel (B)		Piston, Conn.Rod (A) Crankshaft (B)	
Pos. Fig.	Antal Q.ty	Art nr Part No	Benämning	Description	Anmärkning Notes
1	1	013 748 00	Kolv kpl	Piston Assy	Inkl. pos 2 - 5/152E
1	1	017 817 00	Crankshaft assy	Crankshaft assy	Inkl. pos 2 - 3/152E
3	2	504 823 00	Clip	Clip	/152E
3	1	041 473 00	Bricka	Washer	/152E
4	1	504 814 00	Thrust bearing	Thrust bearing	/152E
5	1	013 747 00	Kolvring	Piston Ring	/152E
5	1	500 218 00	Lasring	Lock ring	/152E
6	1	504 793 01	O-ring	O-ring	/152E
8	1	016 796 00	Kolv kpl	Piston Assy	Inkl. pos 2 - 7/152E
9	1	013 435 00	Connecting rod assy	Connecting rod assy	Inkl. pos 10 - 11/152E
11	2	041 005 00	Bult	Bolt	/152E
12	1	016 798 00	Bearing	Bearing	/152E
13	1	016 927 00	Bearing	Bearing	- 0.5 mm/152E

A

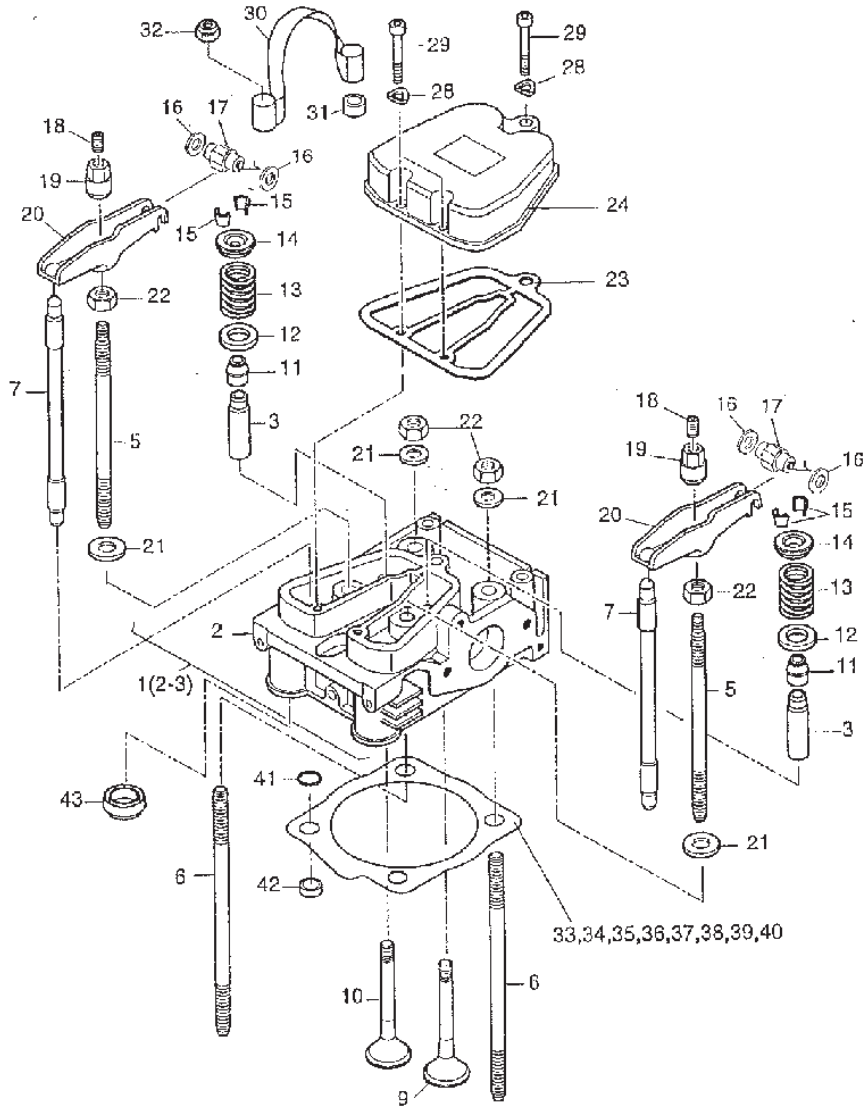


B

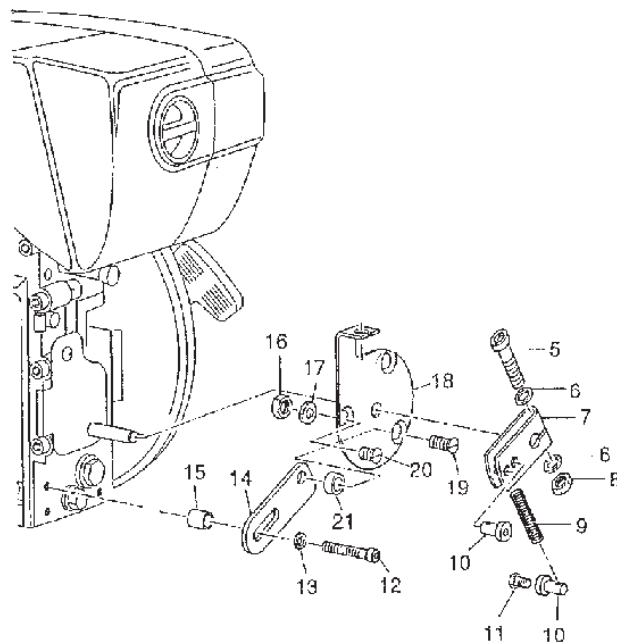


Utgåva Issue 20 - 2015		Kamaxel (A) Balansaxel (B)		Camshaft (A) Balance Shaft (B)	
Pos. Fig.	Antal Q.ty	Art nr Part No	Benämning	Description	Anmärkning Notes
1	1	013 492 01	Balance shaft	Balance shaft	
8	1	017 225 01	Kamaxel	Camshaft	
9	1	041 217 00	Bricka	Washer	0.9 mm
10	1	041 121 00	Bricka	Washer	1.0 mmPZ. 0/1 /152E
11	1	041 122 00	Bricka	Washer	1.1 mmPZ. 0/1 /152E
12	1	041 123 00	Bricka	Washer	1.2 mmPZ. 0/1 /152E
13	1	041 251 00	Bricka	Washer	1.3 mmPZ. 0/1 /152E
14	1	041 252 00	Bricka	Washer	1.4 mmPZ. 0/1 /152E

A



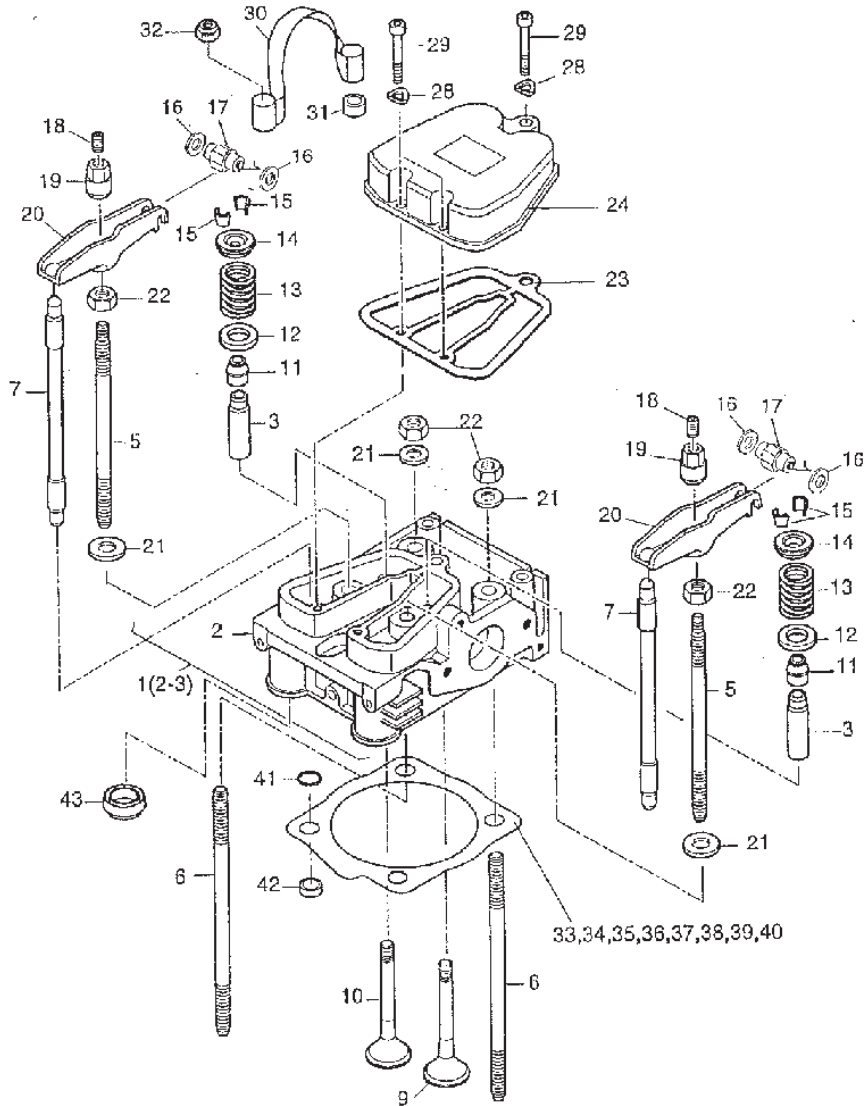
B



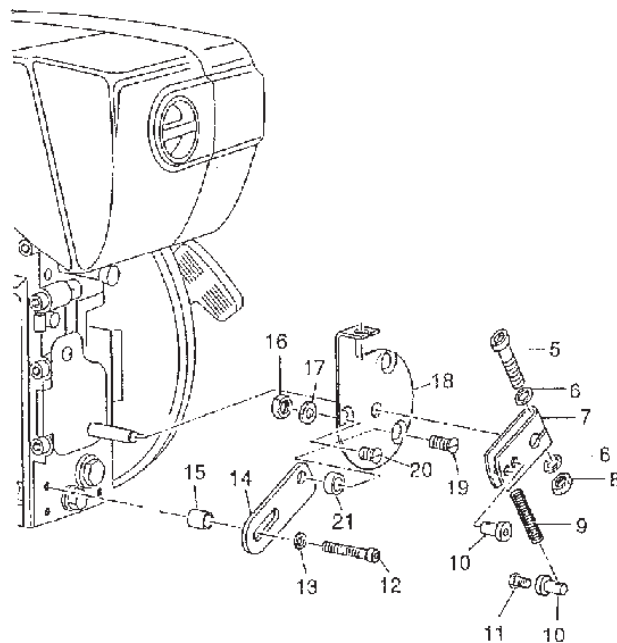


Utgåva Issue 20 - 2015		Topplöck (A) Gasreglage (B)		Cylinder Head (A) Speed Control (B)	
Pos. Fig.	Antal Q.ty	Art nr Part No	Benämning	Description	Anmärkning Notes
1	1	015 961 02	Topplöck	Cylinder Head Assy	Inkl. pos 2 - 3/152E
3	2	052 097 00	Valve guide	Valve guide	/152E
5	2	051 596 00	Stud	Stud	/152E
5	1	504 271 00	Bult	Bolt	/152E
6	2	051 597 00	Stud	Stud	/152E
6	2	502 163 00	Bricka	Washer	/152E
7	2	013 740 00	Stötstang	Push rod	/152E
7	1	051 177 00	Fäste	Bracket	/152E
8	1	500 943 00	Mutter	Nut	/152E
9	1	051 451 00	Insugningsventil	Intake valve	/152E
9	1	504 846 00	Fjäder	Spring	/152E
10	1	051 452 00	Exhaust valve	Exhaust valve	/152E
10	2	504 831 00	Wire nipple	Wire nipple	/152E
11	2	504 258 00	Cage	Cage	/152E
11	2	500 250 00	Bult	Bolt	/152E
12	2	041 471 00	Bricka	Washer	/152E
12	1	503 424 00	Bult	Bolt	/152E
13	2	041 469 00	Valve spring	Valve spring	/152E
13	1	501 481 00	Bricka	Washer	/152E
14	2	041 470 00	Valve cap	Valve cap	/152E
14	1	051 896 00	Fäste	Bracket	/152E
15	2	504 257 00	Valve lock	Valve lock	/152E
15	1	035 997 00	Distans	Spacer	/152E
16	4	504 451 00	Bricka	Washer	/152E
16	1	503 283 00	Mutter	Nut	/152E
17	2	017 760 00	Gliidblock	Slider	Auto-valve-adjust/152E
17	1	502 085 00	Bricka	Washer	/152E
18	2	505 131 00	Skruv	Screw	/152E
18	1	051 176 10	Platå	Plate	/152E
19	2	050 547 00	Mutter	Nut	/152E
19	1	504 239 00	Skruv	Screw	/152E
20	2	051 467 00	Vipparm	Rocker arm	/152E
20	1	503 808 00	Skruv	Screw	/152E
21	4	050 993 00	Bricka	Washer	/152E
21	1	032 929 00	Distans	Spacer	/152E
22	4	503 966 00	Mutter	Nut	/152E
23	1	051 564 01	Packning	Gasket	/152E
24	1	051 465 01	Valve Cover	Valve Cover	/152E
28	3	500 812 00	Bricka	Washer	/152E
29	3	503 749 00	Bult	Bolt	/152E
30	1	041 177 01	Strap	Strap	/152E
31	2	041 261 00	Distans	Spacer	/152E
32	2	400 286 00	Mutter	Nut	/152E
33	1	051 588 02	Packning	Gasket	0.3 mmPZ. 0/1 /152E
34	1	051 589 02	Packning	Gasket	0.4 mmPZ. 0/1 /152E
35	1	051 590 02	Packning	Gasket	0.5 mmPZ. 0/1 /152E
36	1	051 591 02	Packning	Gasket	0.6 mmPZ. 0/1 /152E
37	1	051 592 02	Packning	Gasket	0.7 mmPZ. 0/1 /152E
38	1	051 593 02	Packning	Gasket	0.8 mmPZ. 0/1 /152E

A

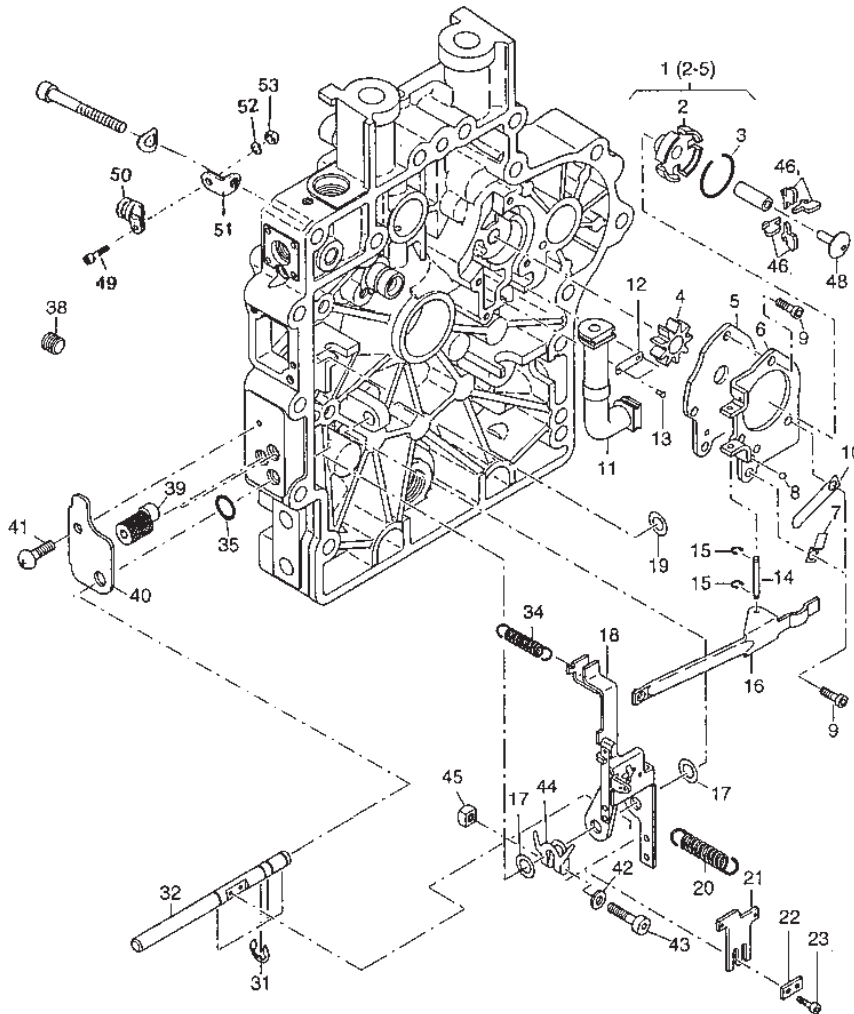


B



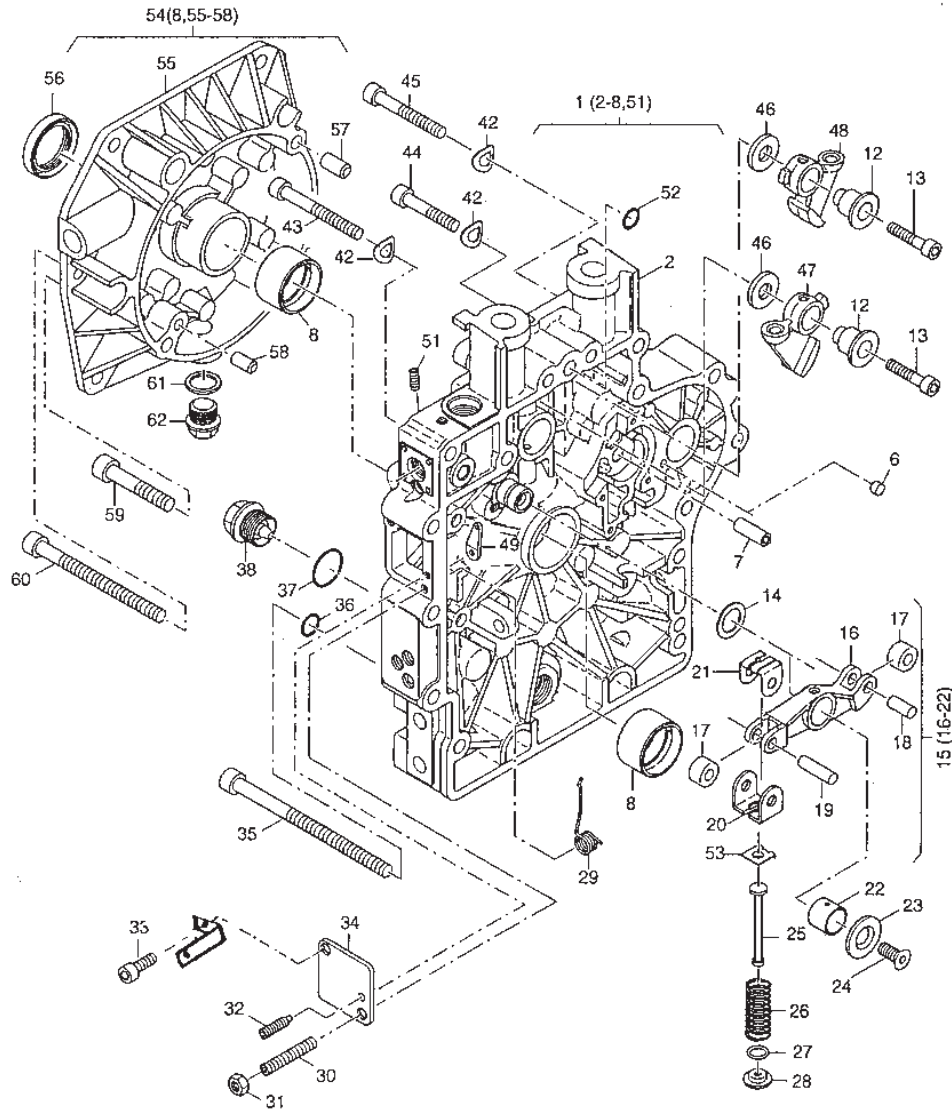
Utgåva Issue 20 - 2015		Topplöck (A) Gasreglage (B)		Cylinder Head (A) Speed Control (B)	
Pos. Fig.	Antal Q.ty	Art nr Part No	Benämning	Description	Anmärkning Notes
39	1	051 594 02	Packning	Gasket	0.9 mmPZ. 0/1 /152E
40	1	051 595 02	Packning	Gasket	1.0 mmPZ. 0/1 /152E
41	2	505 031 00	O-ring	O-ring	/152E
42	2	041 745 00	Bussning	Bushing	/152E
43	2	041 065 00	Valve seat	Valve seat	/152E

A



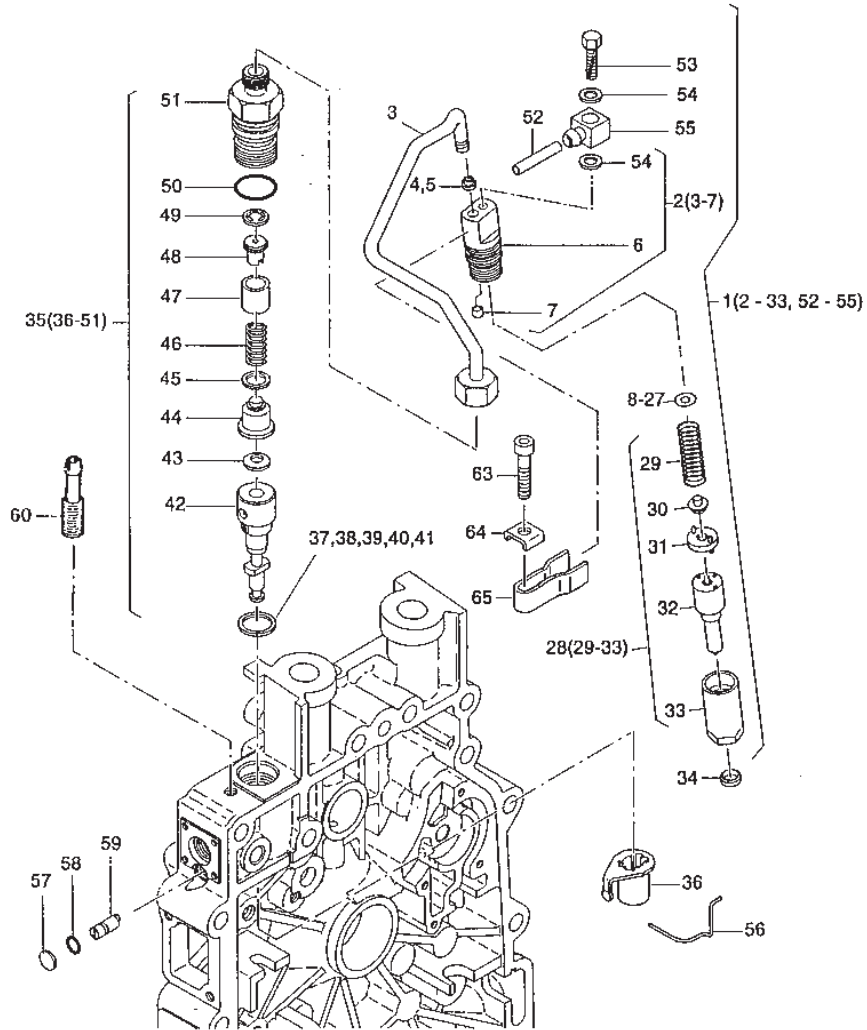
Utgåva Issue 20 - 2015		Oljepump (A) Regulator (A)		Oil Pump (A) Governor (A)	
Pos. Fig.	Antal Q.ty	Art nr Part No	Benämning	Description	Anmärkning Notes
1	1	013 445 03	Regulator kpl	Governor assy	Inkl. pos 2 - 5
3	1	504 349 01	Clamp ring	Clamp ring	
6	1	041 484 00	Plate	Plate	/152E
7	1	050 971 00	Styrbleck	Guard	
8	1	504 479 00	O-ring	O-ring	
9	4	504 294 00	Bult	Bolt	
10	1	050 973 00	Fäste	Bracket	/152E
11	1	013 460 00	Vent pipe	Vent pipe	/152E
12	1	041 534 00	Lock sheet	Lock sheet	/152E
13	2	400 026 00	Skruv	Screw	/152E
14	1	050 786 00	Axel	Shaft	/152E
15	2	504 348 00	Clips	Clips	/152E
16	1	013 459 01	Regulatorlänk	Governor link	/152E
17	2	504 224 00	Bricka	Washer	/152E
18	1	013 652 00	Länk	Link	/152E
19	1	501 258 00	Bricka	Washer	/152E
20	1	051 309 00	Fjäder	Spring	/152E
21	1	051 308 00	Aggregatstopp	Stop	/152E
22	1	050 798 00	Lock sheet	Lock sheet	/152E
23	2	504 653 00	Bult	Bolt	/152E
31	4	500 927 00	Clips	Clips	/152E
32	1	050 793 01	Axel	Shaft	/152E
34	1	040 002 00	Fjäder	Spring	/152E
35	1	400 224 01	O-ring	O-ring	/152E
38	1	504 757 00	Plugg	Plug	/152E
39	2	051 788 10	Excenter	Eccenter	/152E
40	1	051 784 00	Plate	Plate	/152E
41	1	504 923 00	Skruv	Screw	/152E
42	1	502 163 00	Bricka	Washer	/152E
43	1	504 922 00	Bult	Bolt	/152E
44	1	051 785 00	Gaffel	Fork	/152E
45	1	504 227 00	Mutter	Nut	/152E
46	8	050 796 02	Regulatorvikt	Governor weight	/152E
48	1	050 785 02	Riser	Riser	/152E
49	1	501 707 00	Bult	Bolt	/152E
50	1	501 584 00	Clamp	Clamp	/152E
51	1	035 439 00	Fäste	Bracket	/152E
52	1	501 709 00	Bricka	Washer	/152E
53	1	501 444 00	Mutter	Nut	/152E

A



Utgåva Issue 20 - 2015		Styrgavel (A)		Timing Cover (A)	
Pos. Fig.	Antal Q.ty	Art nr Part No	Benämning	Description	Anmärkning Notes
1	1	017 043 00	Timing cover assy	Timing cover assy	Inkl. pos 2 - 8, 51
6	1	041 686 00	Plugg	Plug	/152E
7	1	013 446 00	Axel	Shaft	
8	2	041 488 00	Bussning	Bushing	
12	2	037 942 01	Bussning	Bushing	/152E
13	2	504 699 00	Bult	Bolt	/152E
14	1	504 856 00	Bricka	Washer	/152E
15	1	013 467 00	Vipparm kpl	Rocker arm assy	Inkl. pos 16 - 22/152E
22	1	041 528 00	Bearing	Bearing	/152E
23	1	041 527 01	Bricka	Washer	/152E
24	1	504 225 00	Bult	Bolt	/152E
25	1	040 947 00	Stötstang	Push rod	/152E
26	1	040 957 00	Fjäder	Spring	/152E
27	1	041 339 00	O-ring	O-ring	/152E
28	1	040 948 02	Plate	Plate	/152E
29	1	050 952 10	Fjäder	Spring	/152E
30	1	504 993 00	Stud	Stud	/152E
31	1	501 444 00	Mutter	Nut	/152E
32	1	504 994 00	Skruv	Screw	/152E
33	1	504 742 00	Bult	Bolt	/152E
34	1	040 952 10	Plate	Plate	/152E
35	2	504 630 00	Bult	Bolt	/152E
36	2	501 629 00	O-ring	O-ring	/152E
37	1	504 591 00	O-ring	O-ring	/152E
38	1	503 731 00	Plugg	Plug	/152E
42	11	500 951 00	Bricka	Washer	/152E
43	8	502 888 00	Bult	Bolt	/152E
44	2	501 775 00	Bult	Bolt	/152E
45	1	503 929 00	Bult	Bolt	/152E
46	2	037 941 00	Bricka	Washer	/152E
47	1	041 466 00	Cam	Cam	/152E
48	1	041 460 00	Cam	Cam	/152E
49	1	051 271 00	Spak	Lever	/152E
51	1	502 624 00	Threaded pin	Threaded pin	/152E
52	1	503 467 00	O-ring	O-ring	/152E
53	1	041 895 00	Lock	Cup	/152E
54	1	017 138 00	Oljesump kpl	Oil sump assy	Inkl. pos 8, 55 - 58/152E
56	1	504 795 00	Seal	Seal	/152E
57	1	500 588 00	Styrstift	Guide pin	/152E
58	1	505 028 01	Styrstift	Guide pin	/152E
59	2	503 618 00	Bult	Bolt	/152E
60	2	500 597 01	Bult	Bolt	/152E
61	2	500 014 00	Bricka	Washer	/152E
62	2	500 442 00	Plugg	Plug	/152E

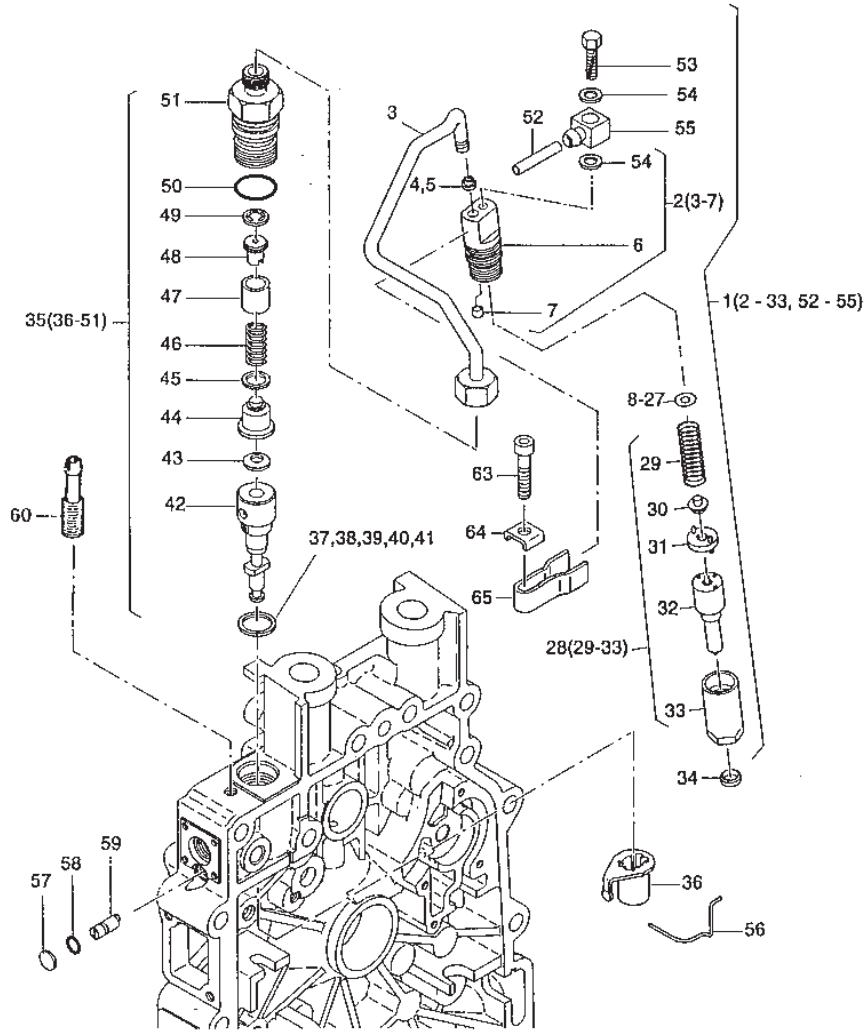
A





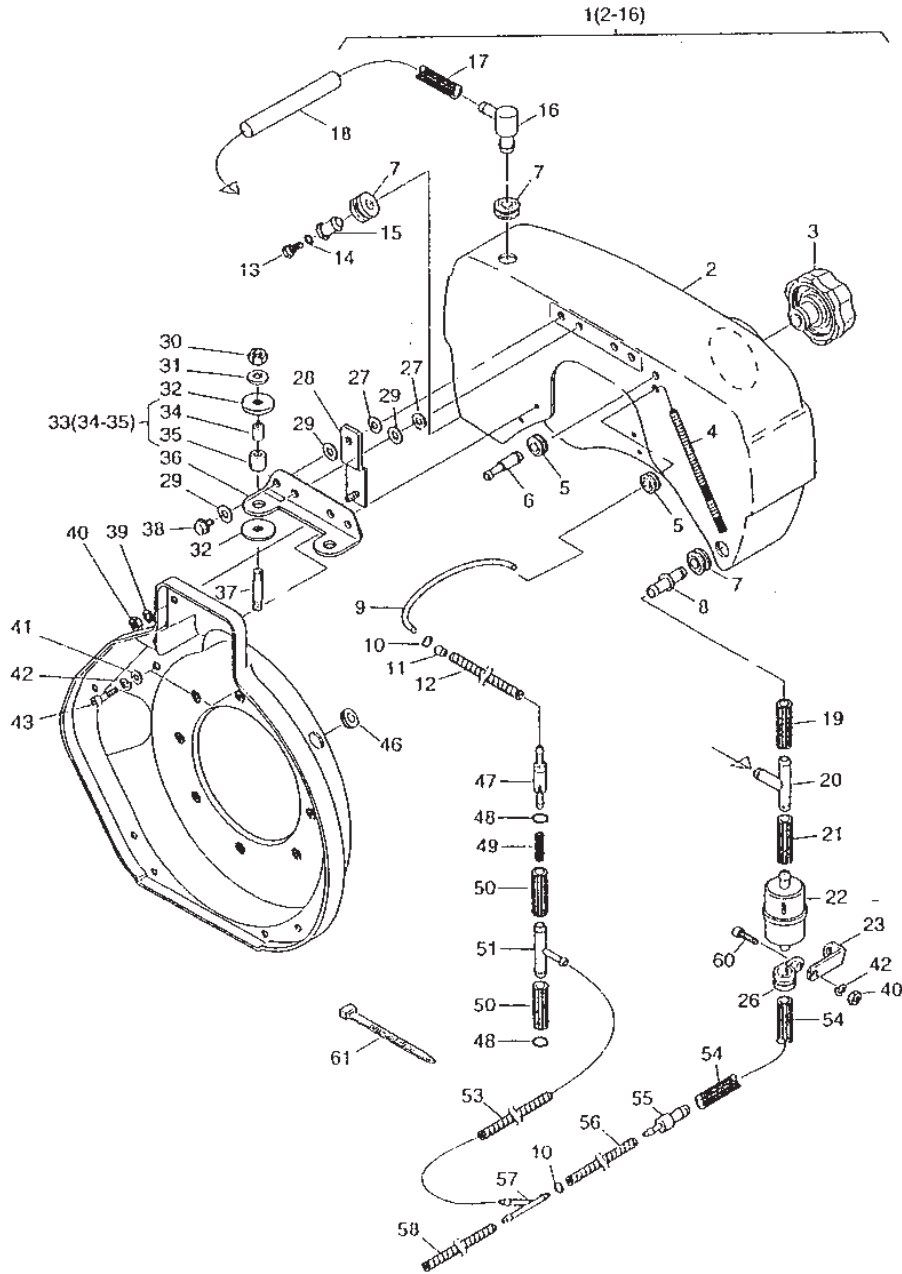
Utgåva Issue 20 - 2015		Insprutning (A)		Fuel Injection (A)	
Pos. Fig.	Antal Q.ty	Art nr Part No	Benämning	Description	Anmärkning Notes
1	1	013 720 00	Insprutningsenhet kpl	Injector assy	Inkl. 2 - 33, 52 - 55
2	1	016 806 00	Nozzle holder assy	Nozzle holder assy	Inkl. pos 3 - 7
4	1	050 961 01	Sealing cone	Sealing cone	4.9 mmPZ. 0/1 /152E
5	1	050 706 01	Sealing cone	Sealing cone	5.3 mmPZ. 0/1 /152E
7	1	050 815 00	Sealing cone	Sealing cone	Bosch
8	1	504 364 00	Shim	Shim	1.00 mm
9	1	504 365 00	Shim	Shim	1.04 mm
10	1	504 366 00	Shim	Shim	1.10 mmPZ. 0/1 /152E
11	1	504 367 00	Shim	Shim	1.14 mmPZ. 0/1 /152E
12	1	504 368 00	Shim	Shim	1.20 mmPZ. 0/1 /152E
13	1	504 369 00	Shim	Shim	1.24 mmPZ. 0/1 /152E
14	1	504 370 00	Shim	Shim	1.30 mmPZ. 0/1 /152E
15	1	504 371 00	Shim	Shim	1.34 mmPZ. 0/1 /152E
16	1	504 372 00	Shim	Shim	1.40 mmPZ. 0/1 /152E
17	1	504 373 00	Shim	Shim	1.44 mmPZ. 0/1 /152E
18	1	504 374 00	Shim	Shim	1.50 mmPZ. 0/1 /152E
19	1	504 375 00	Shim	Shim	1.54 mmPZ. 0/1 /152E
20	1	504 376 00	Shim	Shim	1.60 mmPZ. 0/1 /152E
21	1	504 377 00	Shim	Shim	1.64 mmPZ. 0/1 /152E
22	1	504 378 00	Shim	Shim	1.70 mmPZ. 0/1 /152E
23	1	504 379 00	Shim	Shim	1.74 mmPZ. 0/1 /152E
24	1	504 380 00	Shim	Shim	1.80 mmPZ. 0/1 /152E
25	1	504 381 00	Shim	Shim	1.84 mmPZ. 0/1 /152E
26	1	504 382 00	Shim	Shim	1.90 mmPZ. 0/1 /152E
27	1	504 383 00	Shim	Shim	1.94 mmPZ. 0/1 /152E
28	1	013 474 00	Spridare kpl	Injector assy	Inkl. pos 29 - 33/152E
32	1	505 012 00	Nozzle	Nozzle	/152E
34	1	050 705 00	Packning	Gasket	/152E
35	1	016 808 00	Insprutningspump kpl	Injection pump assy	Inkl. pos 36 - 51/152E
36	1	013 308 01	Reglagehylsa	Control Sleeve	/152E
37	1	040 963 00	Shims	Shim	0.2 mmPZ. 0/1 /152E
38	1	040 964 00	Shims	Shim	0.3 mmPZ. 0/1 /152E
39	1	040 965 00	Shims	Shim	0.4 mmPZ. 0/1 /152E
40	1	040 966 00	Shims	Shim	0.5 mmPZ. 0/1 /152E
41	1	040 967 00	Shims	Shim	0.6 mmPZ. 0/1 /152E
43	1	041 652 00	Bricka	Washer	/152E
45	1	504 769 00	Bricka	Washer	/152E
47	1	051 810 00	Cage	Cage	/152E
48	1	051 809 00	Tryckventilhållare	Holder	/152E
49	1	051 808 00	Tryckventil	Pressure valve	/152E
50	1	504 892 00	O-ring	O-ring	/152E
51	1	051 811 00	Pumpelementhållare	Delivery valve holder	/152E
52	1	052 202 00	Slang	Hose	/152E
53	1	504 645 00	Bult	Bolt	/152E
54	2	501 108 00	Bricka	Washer	/152E
55	1	051 290 00	Nipple	Nipple	/152E
56	1	041 618 00	Fjäder	Spring	/152E
57	1	504 760 00	Plugg	Plug	/152E
58	1	503 301 00	O-ring	O-ring	/152E

A



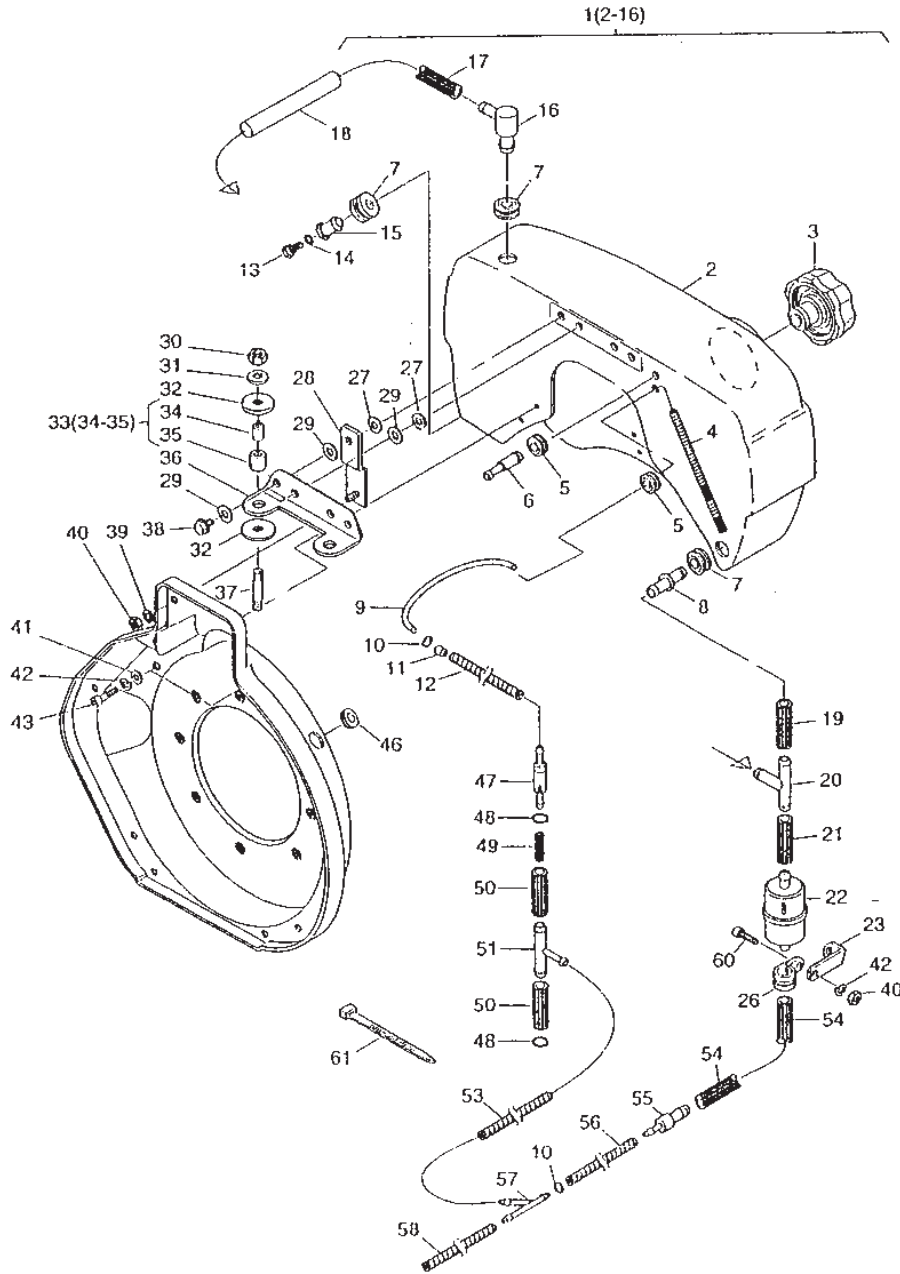
Utgåva Issue 20 - 2015		Insprutning (A) Fuel Injection (A)			
Pos. Fig.	Antal Q.ty	Art nr Part No	Benämning	Description	Anmärkning Notes
59	1	040 977 10	Excentriskt stift	Eccentric pin	/152E
60	1	050 842 01	Nipple	Nipple	/152E
63	1	503 239 00	Bult	Bolt	/152E
64	1	050 893 00	Hallare	Yoke	/152E
65	1	050 567 00	Gaffel	Fork	/152E

A



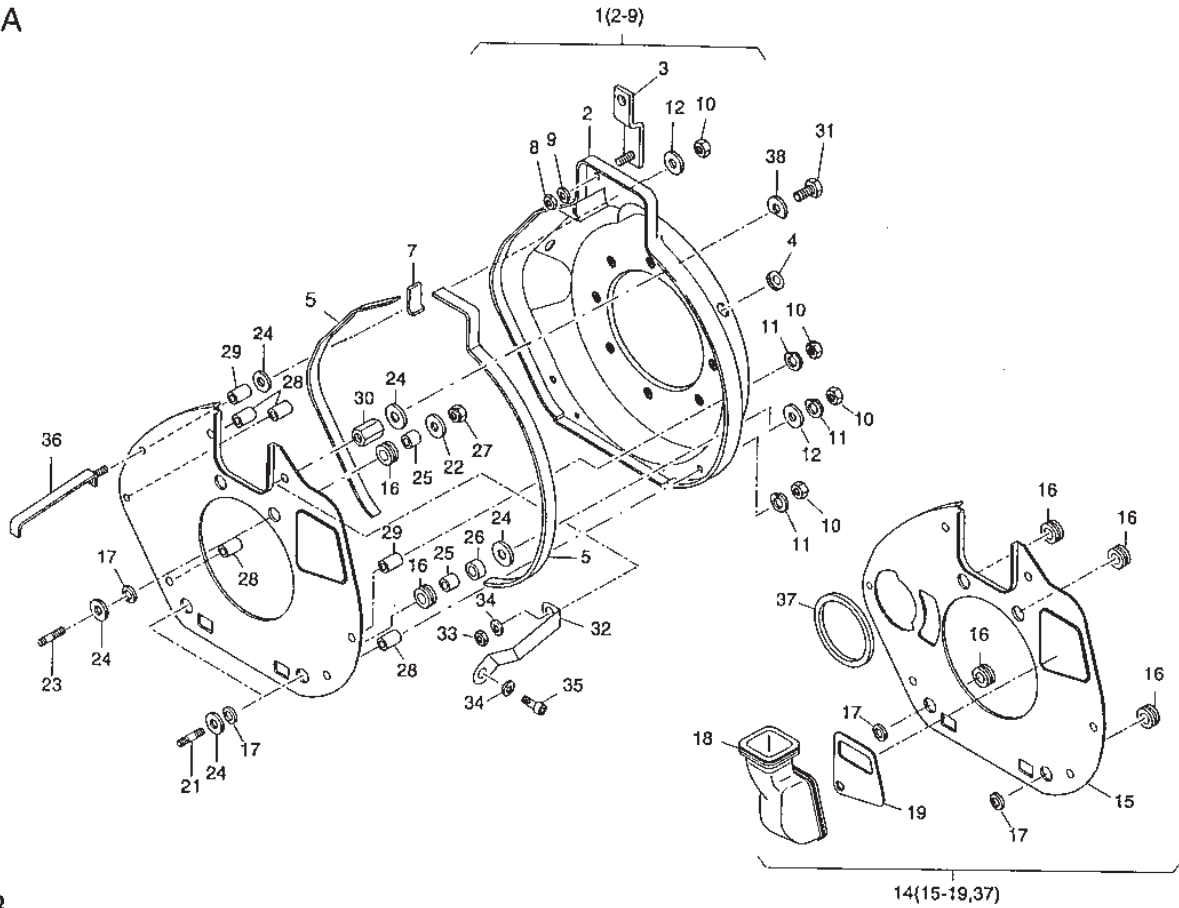
Utgåva Issue 20 - 2015		Bränsletank (A)		Fuel Tank (A)	
Pos. Fig.	Antal Q.ty	Art nr Part No	Benämning	Description	Anmärkning Notes
1	1	017 384 00	Bränsletank	Fuel tank assy	Inkl. pos 2 - 16
3	1	016 203 01	Tanklock	Fuel cap	
4	1	016 485 00	Tryckfjäder	Pressure spring	/152E
5	2	051 304 00	Gummihylsa	Rubber sleeve	/152E
6	1	051 296 10	Connecting nipple	Connecting nipple	/152E
7	3	504 408 00	Rubber sleeve	Rubber sleeve	
8	1	052 385 00	Connecting nipple	Connecting nipple	
9	1	052 375 00	Slang	Hose	
10	2	503 998 01	Clamp	Clamp	/152E
11	1	051 265 00	Gasreglage	Throttle Cable	/152E
12	1	052 383 00	Slang	Hose	/152E
13	1	036 136 00	Skruv	Screw	/152E
14	1	503 131 00	O-ring	O-ring	/152E
15	1	051 882 00	Nipple	Nipple	/152E
16	1	016 840 10	Connecting nipple	Connecting nipple	/152E
17	1	036 736 00	Slang	Hose	/152E
18	1	051 456 00	Rör	Tube	/152E
19	1	051 582 00	Slang	Hose	/152E
20	1	504 406 00	Connecting nipple	Connecting nipple	/152E
21	1	050 399 00	Slang	Hose	/152E
22	1	400 894 01	Bränslefilter	Fuel Filter	/152E
23	1	052 301 00	Fläns	Support	/152E
26	1	501 584 00	Clamp	Clamp	/152E
27	4	501 200 00	Bricka	Washer	/152E
28	2	013 313 00	Fläns	Support	/152E
29	10	051 100 10	Bricka	Washer	/152E
30	2	400 284 00	Mutter	Nut	/152E
31	2	501 481 00	Bricka	Washer	/152E
32	4	051 098 10	Bricka	Washer	/152E
33	2	016 558 00	Distans	Spacer	Inkl. pos 34 - 35/152E
36	1	051 701 10	Fläns	Support	/152E
37	2	502 319 00	Stud	Stud	/152E
38	4	015 570 00	Bult	Bolt	/152E
39	2	501 709 00	Bricka	Washer	/152E
40	3	501 444 00	Mutter	Nut	/152E
41	4	501 200 00	Bricka	Washer	/152E
42	5	501 709 00	Bricka	Washer	/152E
43	4	501 491 00	Bult	Bolt	/152E
46	1	504 533 00	Rubber sleeve	Rubber sleeve	/152E
47	1	015 346 00	Nipple	Nipple	/152E
48	2	504 411 00	O-ring	O-ring	/152E
49	1	051 628 00	Fjäder	Spring	/152E
50	2	034 931 00	Slang	Hose	/152E
51	1	504 596 00	Nipple	Nipple	/152E
53	1	036 733 00	Slang	Hose	/152E
54	1	050 232 00	Slang	Hose	/152E
55	1	505 210 00	Nipple	Nipple	/152E
56	1	038 816 00	Slang	Hose	/152E
57	1	051 227 01	Nipple	Nipple	/152E

A

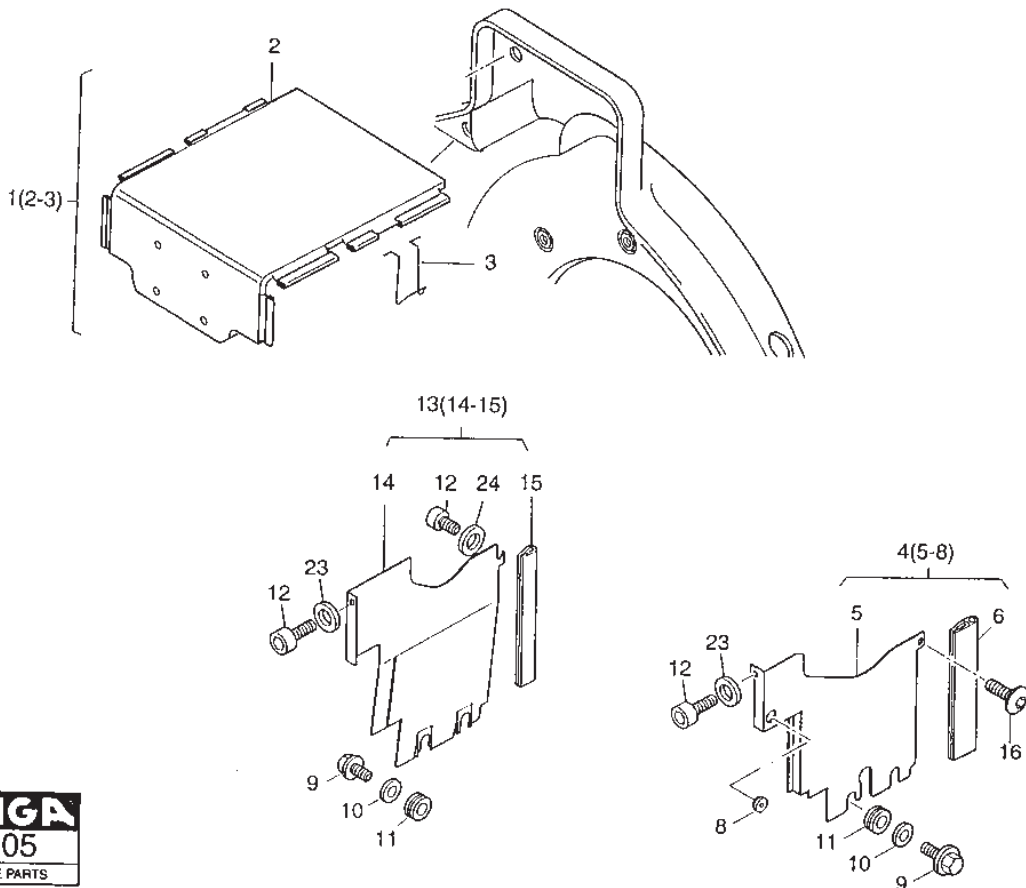


Utgåva Issue 20 - 2015		Bränsletank (A) Fuel Tank (A)			
Pos. Fig.	Antal Q.ty	Art nr Part No	Benämning	Description	Anmärkning Notes
58	1	050 853 00	Slang	Hose	/152E
60	1	501 707 00	Bult	Bolt	/152E
61	3	503 584 00	Bundle strap	Bundle strap	/152E

A



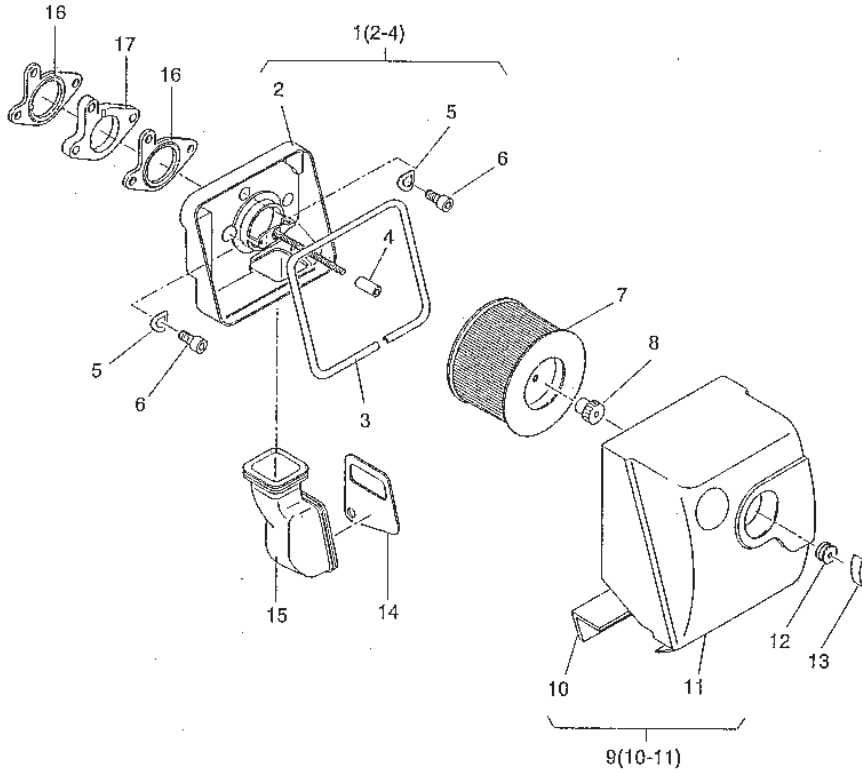
B



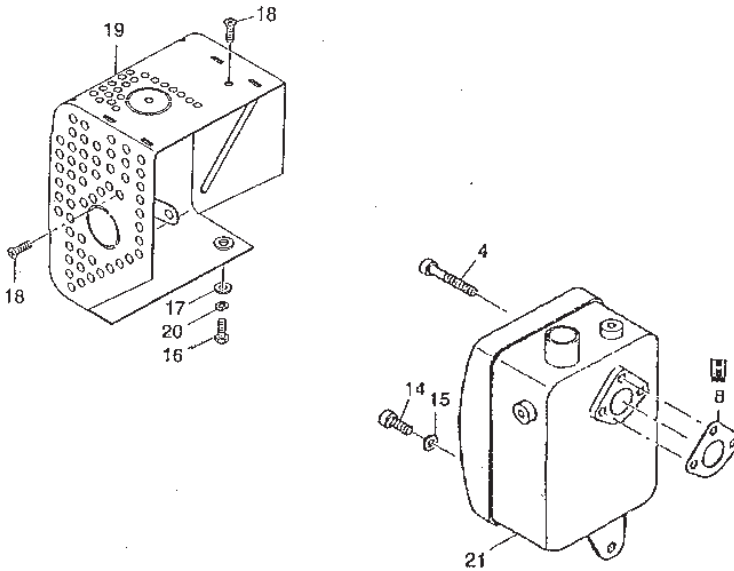


Utgåva Issue 20 - 2015		Luftledare (A) Luftledare (B)		Air Ducting (A) Air Ducting (B)	
Pos. Fig.	Antal Q.ty	Art nr Part No	Benämning	Description	Anmärkning Notes
1	1	017 385 00	Blower housing assy	Blower housing assy	Inkl. pos 2 - 9
1	1	017 374 00	Air ducting assy	Air ducting assy	Inkl. pos 2 - 3
3	2	013 313 00	Fläns	Support	
3	1	051 521 00	Fjäder	Spring	
4	1	504 533 00	Rubber sleeve	Rubber sleeve	/152E
4	1	031 454 00	Air ducting assy	Air ducting assy	Inkl. pos 5 - 8
5	1	052 196 00	Weather strip	Weather strip	/152E
6	1	041 442 00	Sealing strip	Sealing strip	
7	1	052 270 00	Sealing strip	Sealing strip	
8	2	501 444 00	Mutter	Nut	
8	1	503 348 00	Rubber sleeve	Rubber sleeve	
9	2	501 709 00	Bricka	Washer	
9	4	504 454 00	Bult	Bolt	
10	7	501 444 00	Mutter	Nut	/152E
10	4	504 416 00	Bricka	Washer	/152E
11	8	501 709 00	Bricka	Washer	/152E
11	4	501 638 01	Rubber sleeve	Rubber sleeve	/152E
12	3	501 200 00	Bricka	Washer	/152E
12	3	505 281 00	Bult	Bolt	/152E
13	1	013 453 00	Luftkanal	Air Duct	Inkl. pos 14 - 15/152E
14	1	013 476 00	Vevhusgavel kpl	Cover assy	Inkl. pos 15 - 19, 37/152E
15	1	041 442 00	Sealing strip	Sealing strip	/152E
16	4	009 214 00	Bussning	Bushing	/152E
16	1	504 950 00	Skruv	Screw	/152E
17	4	035 755 00	Bricka	Washer	/152E
18	1	041 468 00	Gummihylsa	Rubber insert	/152E
19	1	041 508 00	Plate	Plate	/152E
21	2	504 581 00	Stud	Stud	/152E
22	2	501 143 00	Bricka	Washer	/152E
22	1	035 772 00	Sealing strip	Sealing strip	/152E
23	2	504 644 01	Stud	Stud	/152E
23	2	501 445 00	Bricka	Washer	/152E
24	7	040 420 00	Bricka	Washer	/152E
24	1	040 606 00	Bricka	Washer	/152E
25	4	041 191 00	Cage	Cage	/152E
26	2	051 886 00	Cage	Cage	/152E
27	2	503 283 00	Mutter	Nut	/152E
28	4	041 390 00	Cage	Cage	/152E
29	2	040 984 00	Cage	Cage	/152E
30	1	051 840 00	Mutter	Nut	/152E
31	1	500 264 00	Bult	Bolt	/152E
32	1	016 694 00	Fläns	Support	/152E
33	1	501 444 00	Mutter	Nut	/152E
34	2	501 709 00	Bricka	Washer	/152E
35	1	501 707 00	Bult	Bolt	/152E
36	1	016 833 00	Fläns	Support	/152E
37	1	040 995 00	Seal	Seal	/152E
38	1	051 409 00	Bricka	Washer	/152E

A

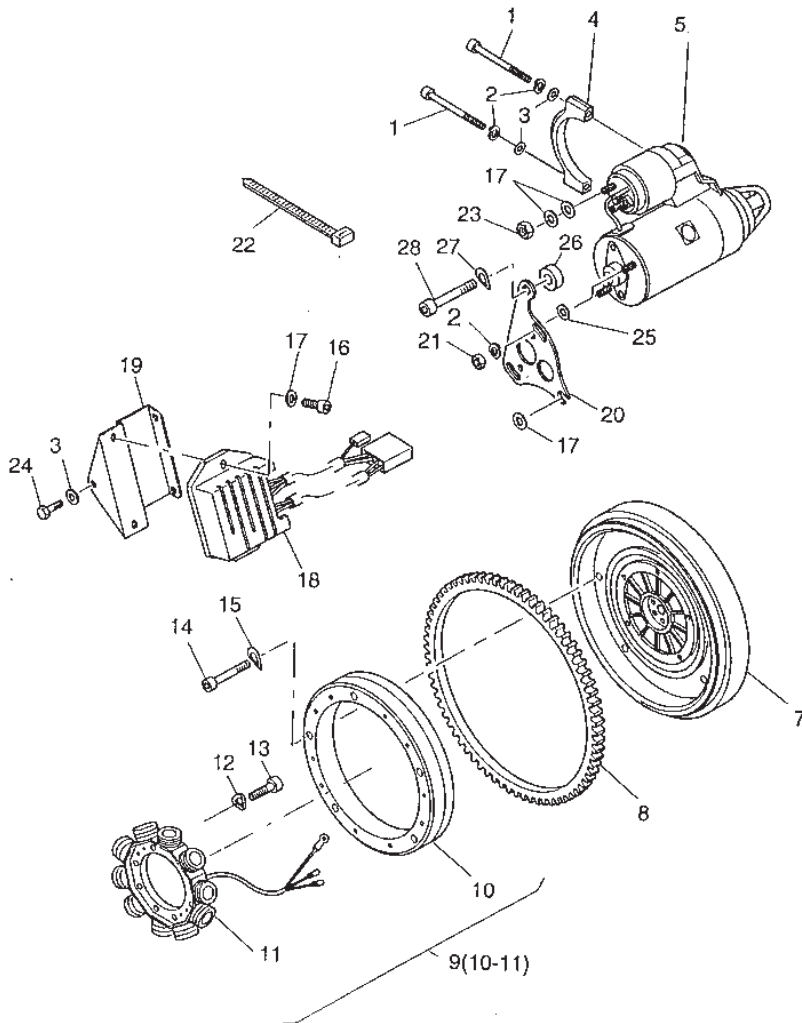


B



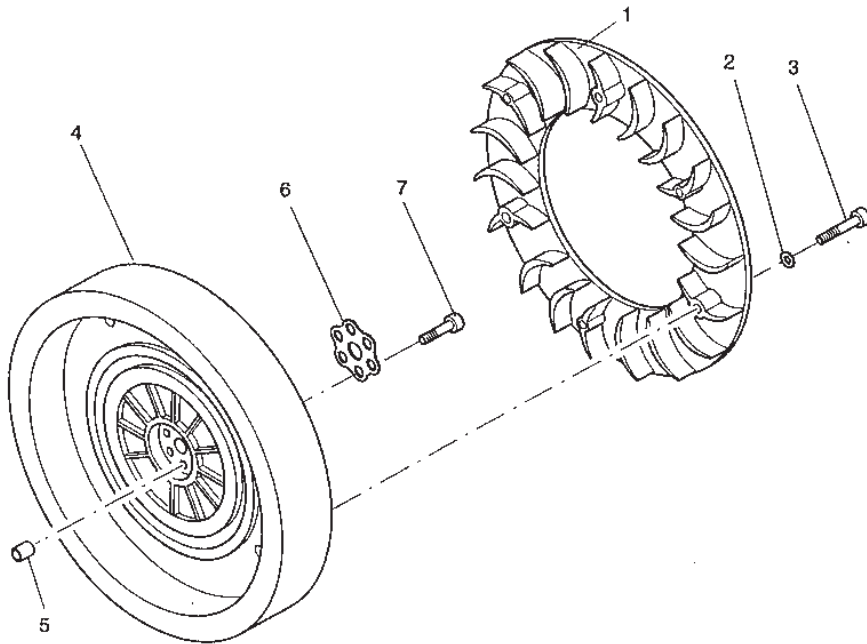
Utgåva Issue 20 - 2015		Lufffilter (A) Ljuddämpare (B)		Air Filter (A) Exhaust Silencer (B)	
Pos. Fig.	Antal Q.ty	Art nr Part No	Benämning	Description	Anmärkning Notes
1	1	016 374 00	Filter base assy	Filter base assy	Inkl. pos 2 - 4/152E
3	1	051 677 00	Packning	Gasket	/152E
4	1	051 662 00	Distans	Spacer	/152E
4	3	504 040 00	Bult	Bolt	/152E
5	3	500 951 00	Bricka	Washer	/152E
6	3	501 715 00	Bult	Bolt	/152E
7	1	504 841 00	Lufffilter	Air Filter	/152E
8	1	504 543 00	Mutter	Nut	/152E
8	1	052 368 00	Packning	Gasket	/152E
9	1	017 430 00	Lufffilterlock	Filter Cover	Inkl. pos 10 - 11/152E
10	1	051 580 00	Fläns	Support	/152E
12	1	504 358 00	Rubber sleeve	Rubber sleeve	/152E
13	1	504 522 00	Lasmutter	Nut	/152E
14	1	041 508 00	Plate	Plate	/152E
14	1	504 742 00	Bult	Bolt	/152E
15	1	041 468 00	Gummihylsa	Rubber insert	/152E
15	1	501 143 00	Bricka	Washer	/152E
16	2	051 499 00	Packning	Gasket	/152E
16	1	501 771 00	Bult	Bolt	/152E
17	1	016 958 00	Distans	Spacer	/152E
17	1	501 143 00	Bricka	Washer	/152E
18	2	504 225 00	Bult	Bolt	/152E
19	1	016 290 00	Protection guard	Protection guard	/152E
20	1	501 709 00	Bricka	Washer	/152E
21	1	017 425 01	Exhaust silencer	Exhaust silencer	/152E

A

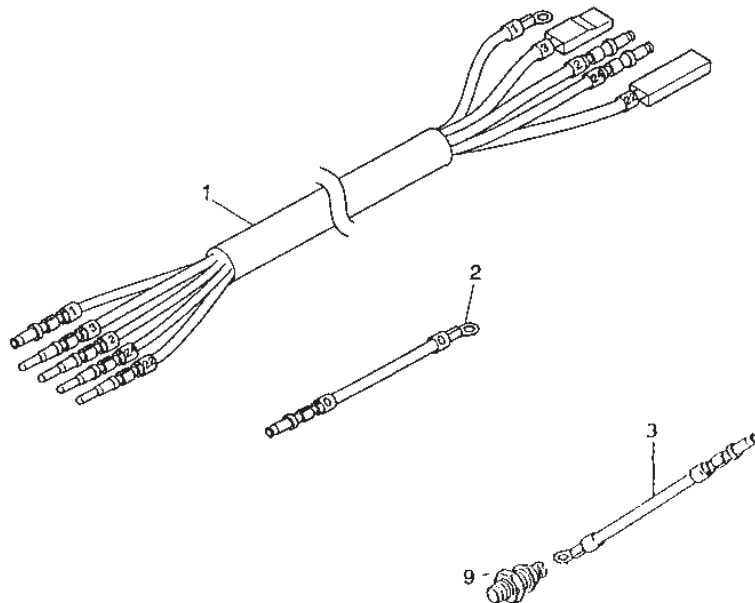


Utgåva Issue 20 - 2015		Startmotor (A) Generator (A)		Starter Motor (A) Alternator (A)	
Pos. Fig.	Antal Q.ty	Art nr Part No	Benämning	Description	Anmärkning Notes
1	2	504 023 00	Bult	Bolt	
2	4	501 709 00	Bricka	Washer	
3	3	501 445 00	Bricka	Washer	
4	1	040 991 00	Fäste	Bracket	
5	1	505 246 00	Starter motor	Starter motor	/152E
7	1	041 615 02	Flywheel	Flywheel	
8	1	041 511 00	Startkrans	Gear ring	
9	1	504 951 00	Generator	Alternator	Inkl. pos 10 - 11
12	4	500 819 00	Bricka	Washer	/152E
13	4	504 271 00	Bult	Bolt	/152E
14	5	502 366 00	Bult	Bolt	/152E
15	5	500 812 00	Bricka	Washer	/152E
16	2	501 654 00	Bult	Bolt	/152E
17	6	501 481 00	Bricka	Washer	/152E
18	1	051 007 01	Regulator	Regulator	/152E
19	1	016 630 00	Fäste	Bracket	/152E
20	1	051 829 12	Fäste	Bracket	/152E
21	2	501 444 00	Mutter	Nut	/152E
22	3	504 395 00	Bundle band	Bundle band	/152E
23	1	500 232 00	Mutter	Nut	/152E
24	1	500 254 00	Bult	Bolt	/152E
25	2	501 200 00	Bricka	Washer	/152E
26	1	037 141 00	Distans	Spacer	/152E
27	1	500 951 00	Bricka	Washer	/152E
28	1	503 929 00	Bult	Bolt	/152E

A

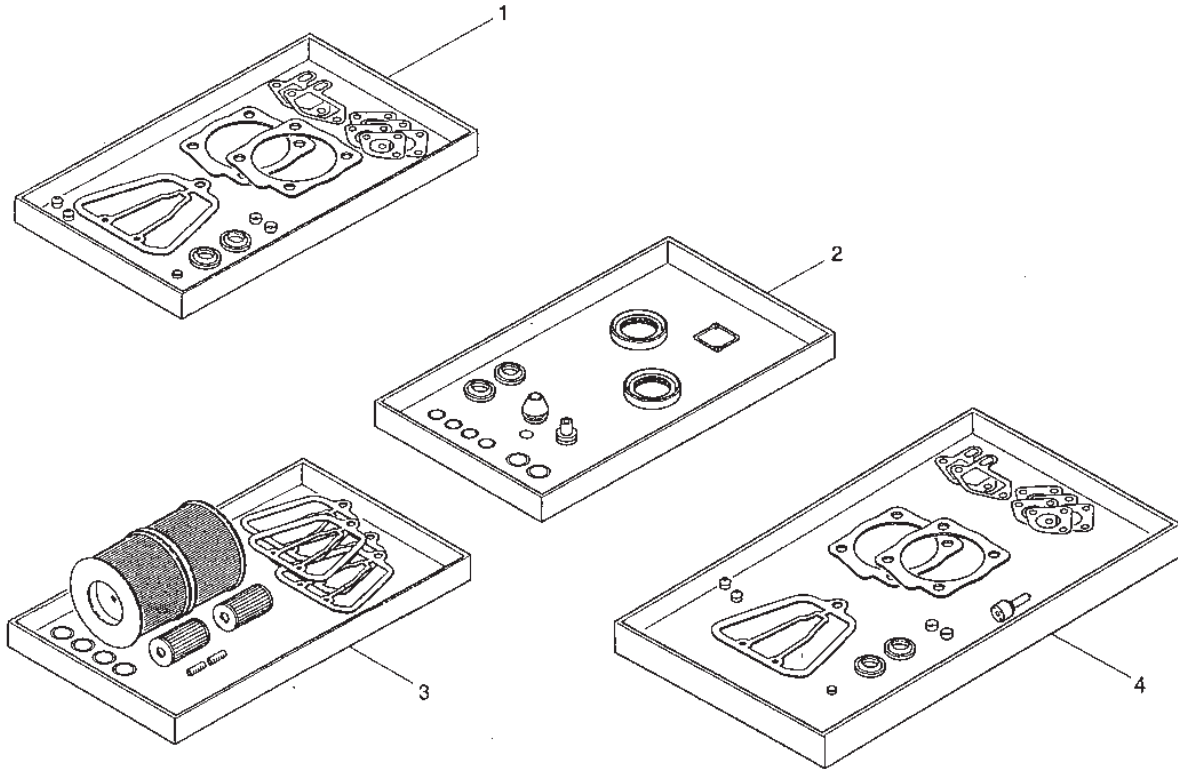


B

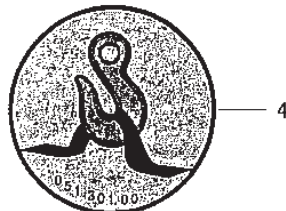
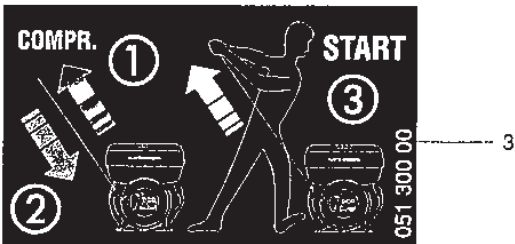
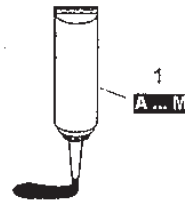
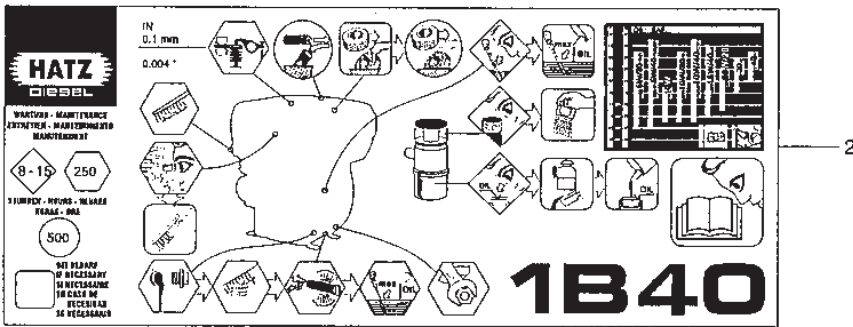


Utgåva Issue 20 - 2015		Fläkt (A) Kablage (B)		Blower (A) Wirings (B)	
Pos. Fig.	Antal Q.ty	Art nr Part No	Benämning	Description	Anmärkning Notes
1	1	042 058 00	Blower	Blower	
1	1	016 670 00	Kabelhärva	Wiring harness	
2	6	500 034 00	Bricka	Washer	
2	1	015 483 00	Cable	Cable	
3	6	503 273 00	Skruv	Screw	
3	1	015 480 00	Cable	Cable	
4	1	041 615 02	Flywheel	Flywheel	
5	1	502 056 00	Stift	Roll pin	/152E
6	1	041 551 01	Bricka	Washer	/152E
7	6	505 025 00	Bult	Bolt	
9	1	504 691 00	Oljetrycksbrytare	Oil pressure switch	

A

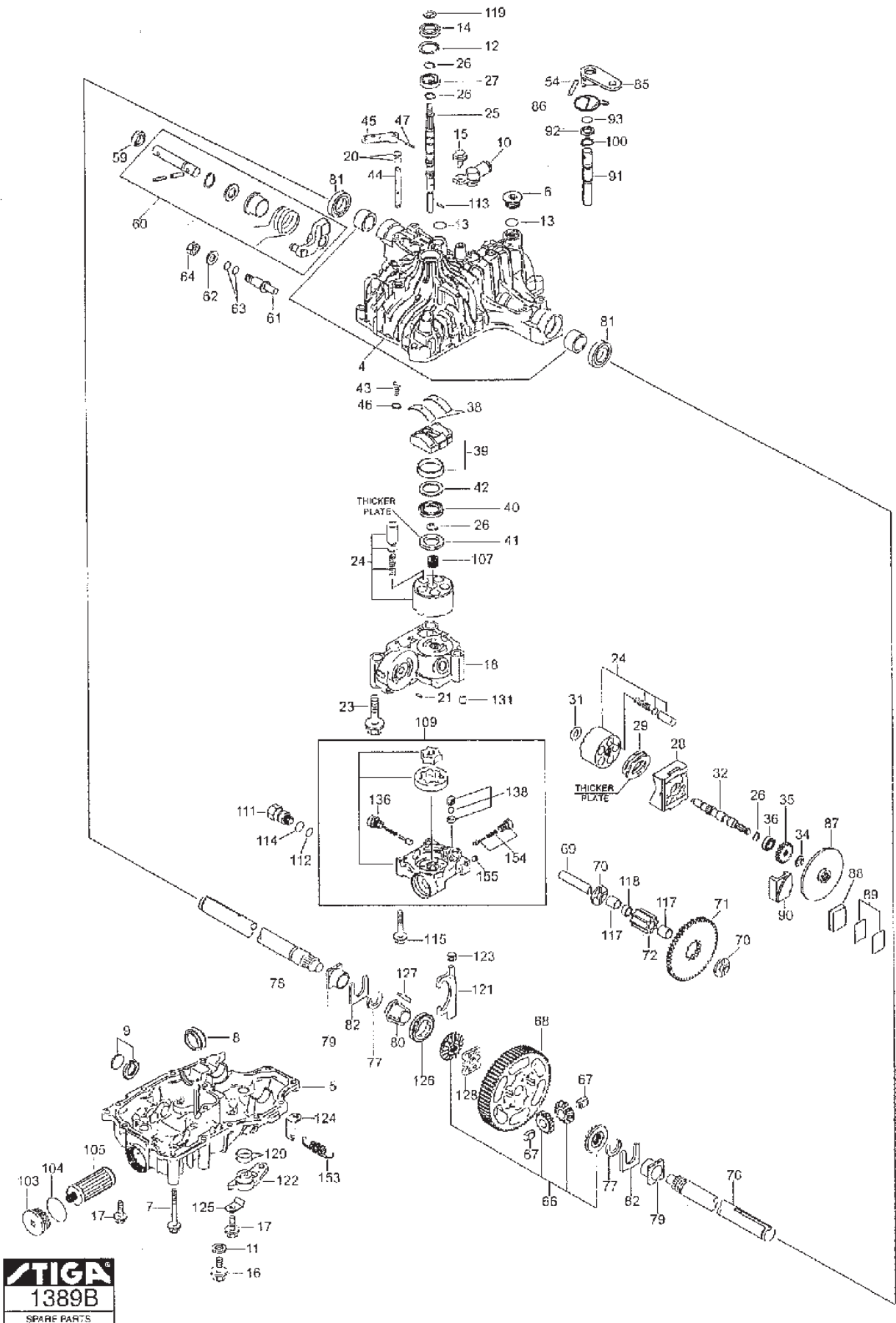


B

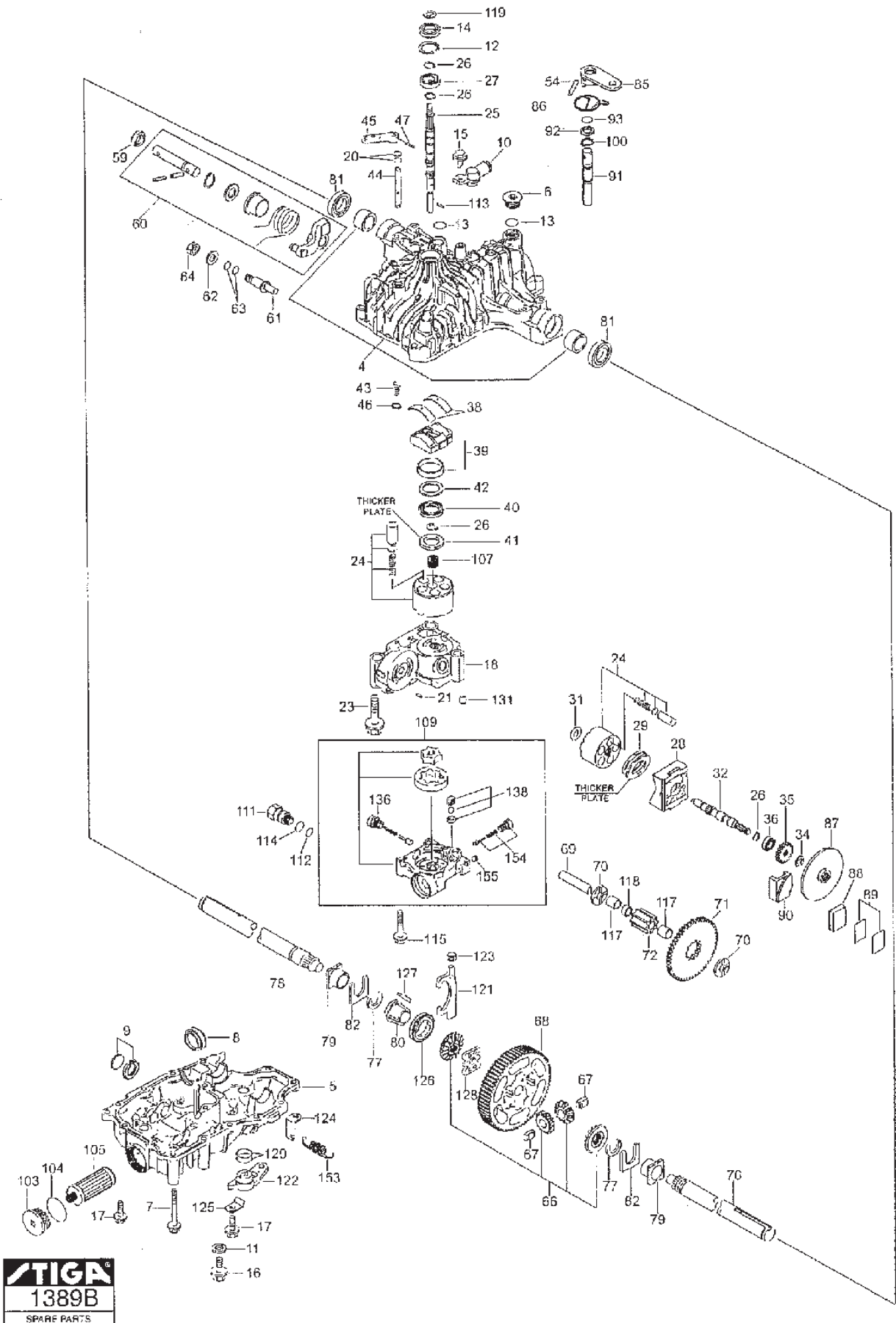




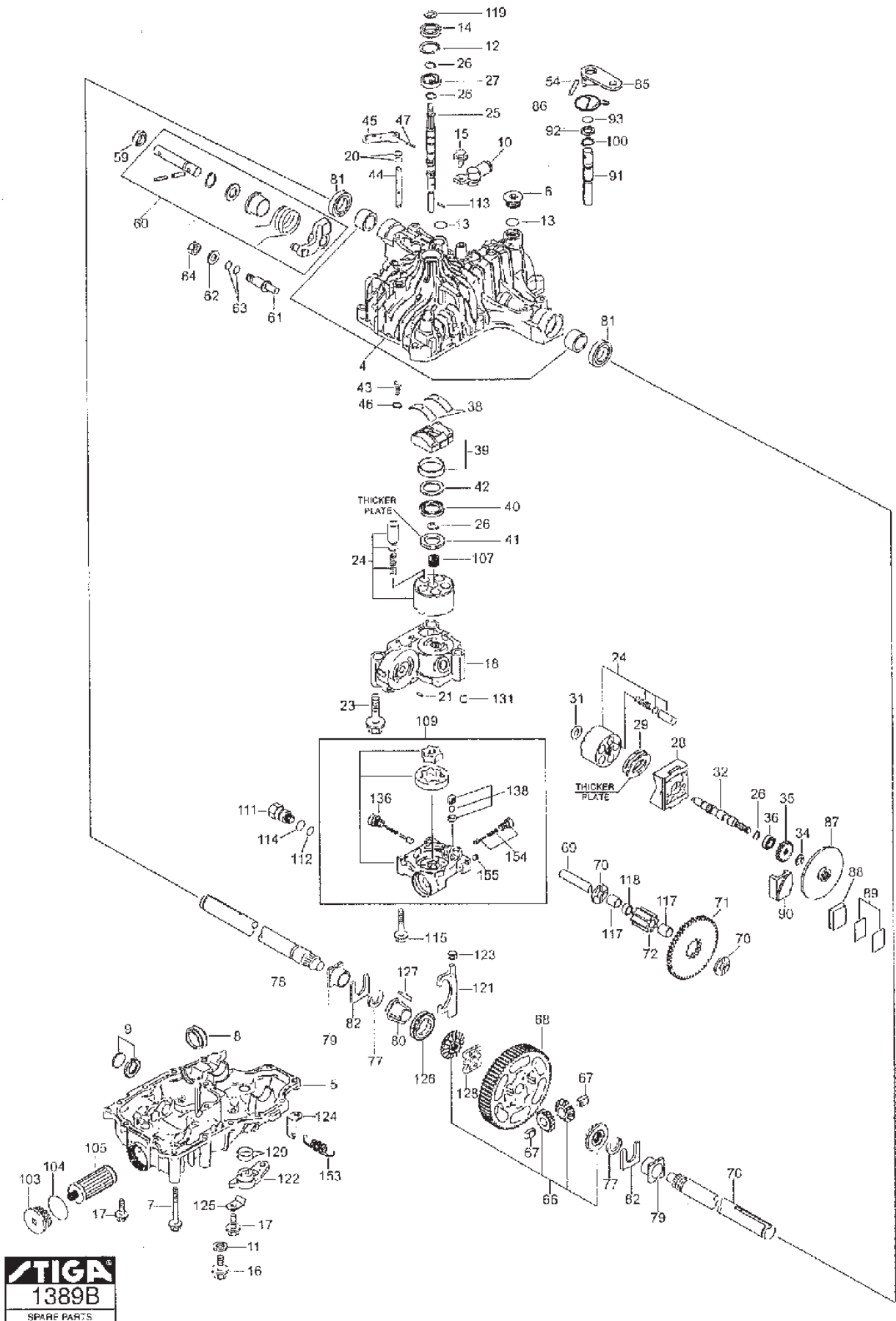
Utgåva Issue 20 - 2015		Reservdelsatser (A) Tillbehör (B)		Spare Parts Kits (A) Accessories (B)	
Pos. Fig.	Antal Q.ty	Art nr Part No	Benämning	Description	Anmärkning Notes
1	1	016 792 00	Cylinderpackning	Cylinder Gasket	
1	1	502 230 01	Loctite Activator N	Loctite Activator N	500 ml/152E
1	1	502 231 00	Loctite 573	Loctite 573	50 ml/152E
1	1	502 232 00	Loctite 601	Loctite 601	50 ml/152E
1	1	502 233 00	Loctite 221	Loctite 221	50 ml/152E
1	1	502 234 00	Loctite 648	Loctite 648	10 ml/152E
1	1	502 238 00	Technicoll 8058	Technicoll 8058	0.75 kg/152E
1	1	502 239 00	Technicoll 8367	Technicoll 8367	0.75 kg/152E
1	1	502 565 01	Loctite IS 407	Loctite IS 407	20 kg/152E
1	1	502 825 01	Silicon	Silicon	30 ml/152E
1	1	502 830 03	Högtemp.pasta	High temp. grease	100 ml/152E
1	1	503 426 00	Högtemp.fett	High temp. grease	100 g/152E
1	1	502 566 00	Silicon sealer	Silicon sealer	100 g/152E
1	1	504 851 00	Slippasta	Grind paste	80 g/152E
1	1	502 230 01	Loctite Activator N	Loctite Activator N	500 ml
1	1	502 231 00	Loctite 573	Loctite 573	50 ml
1	1	502 232 00	Loctite 601	Loctite 601	50 ml
1	1	502 233 00	Loctite 221	Loctite 221	50 ml
1	1	502 234 00	Loctite 648	Loctite 648	10 ml
1	1	502 238 00	Technicoll 8058	Technicoll 8058	0.75 kg
1	1	502 239 00	Technicoll 8367	Technicoll 8367	0.75 kg
1	1	502 565 01	Loctite IS 407	Loctite IS 407	20 kg
1	1	502 825 01	Silicon	Silicon	30 ml
1	1	502 830 03	Högtemp.pasta	High temp. grease	100 ml
1	1	503 426 00	Högtemp.fett	High temp. grease	100 g
1	1	502 566 00	Silicon sealer	Silicon sealer	100 g
1	1	504 851 00	Slippasta	Grind paste	80 g
2	1	017 103 01	Crankcase Gasket	Crankcase Gasket	
2	1	051 632 01	Dekal	Label	
3	1	017 104 00	Maintenance kit	Maintenance kit	1000 tim/hours
3	1	051 300 00	Dekal	Label	
4	1	016 795 00	Emergency kit	Emergency kit	
4	1	051 301 00	Dekal	Label	



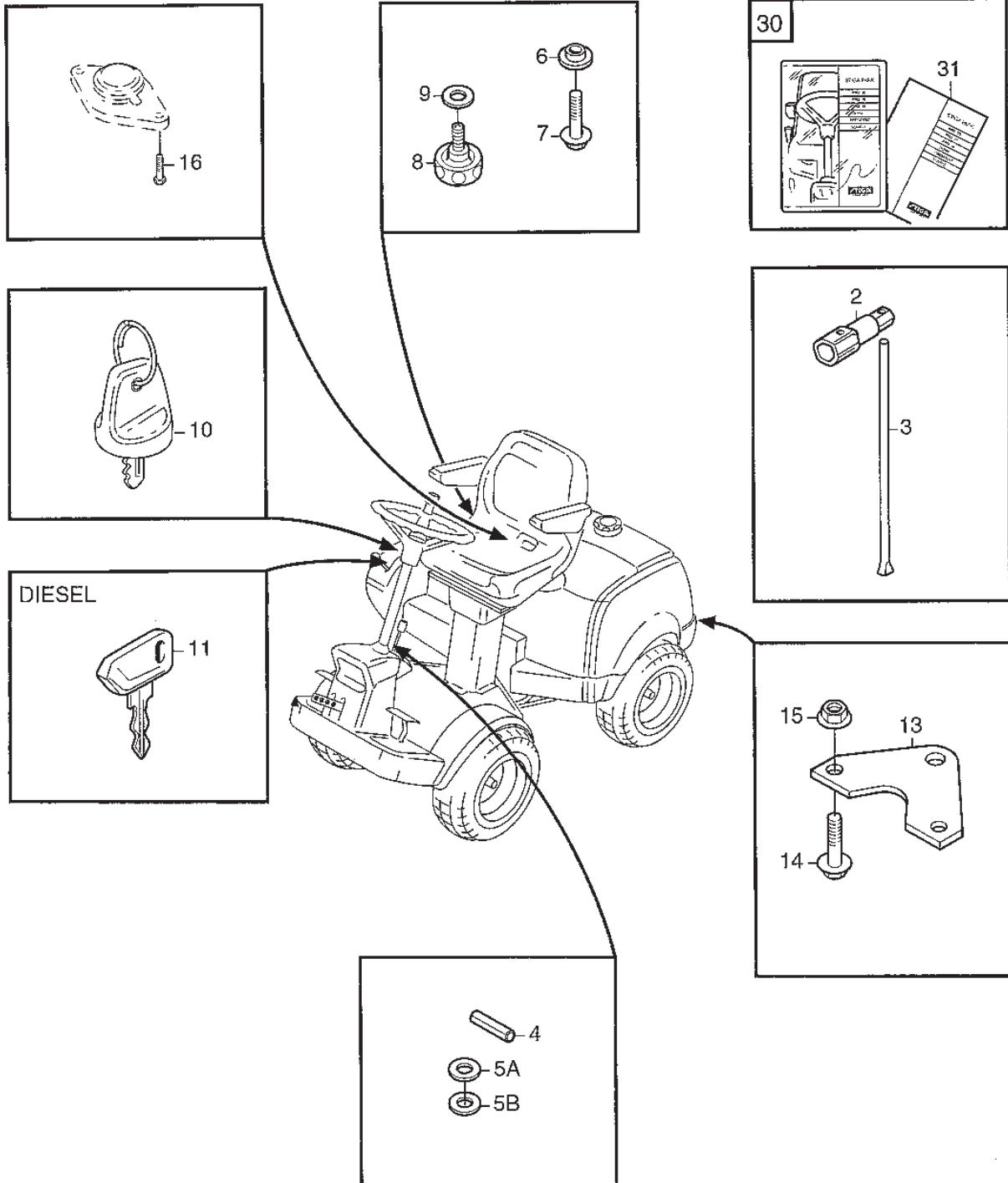
Utgåva Issue 20 - 2015		Kanzaki Transaxel K66B		Kanzaki Transaxle K66B	
Pos. Fig.	Antal Q.ty	Art nr Part No	Benämning	Description	Anmärkning Notes
4	1	1139-1169-01	Övre Hus Kpl	Upper Case Cmp	/K66B
5	1	1139-1212-01	Nedre Hus	Lower Housing	/K66B
6	1	1139-1171-01	OljePlugg	Oil Cap	/K66B
7	5	1139-1006-01	Bult	Bolt	/K66B
8	1	1139-1172-01	Filter	Filter	/K66B
9	1	1139-1057-01	Magnet Kpl	Magnet Assy	/K66B
10	1	1139-1179-01	Nippel	Fitting	/K66B
11	2	1139-1277-01	Bricka	Washer	/K66B
12	1	1139-1104-01	Lasring	Snap Ring	/K66B
13	2	1139-1116-01	O-Ring	O-Ring	/K66B
14	1	1139-1119-01	Tätning	Seal 15*35*7	/K66B
15	1	1139-1124-01	Bult	Bolt	/K66B
16	2	1139-1292-01	Bult	Bolt	/K66B
17	12	1139-0244-01	Skruv	Screw	/K66B
18	1	1139-1178-01	Centrumhus Kpl	Center Case Cmp	/K66B
20	2	1139-1117-01	O-Ring	O-Ring	/K66B
21	1	1139-1158-01	Stift	Pin	/K66B
23	3	1139-1293-01	Bult	Bolt	/K66B
24	2	1139-1139-01	Cylinderblock Kpl	Cylinder Block Assy	/K66B
25	1	1139-1214-01	Pumpaxel	Pump Shaft	/K66B
26	4	1139-1021-01	Lasring	Snap Ring	/K66B
27	1	1139-1110-01	Kullager	Ball Bearing	/K66B
28	1	1139-1170-01	Hus	Housing	/K66B
29	1	1139-1005-01	Axiallager	Thrust Bearing	/K66B
31	1	1139-1160-01	Bricka	Washer	/K66B
32	1	1139-1182-01	Motoraxel	Motor Shaft	/K66B
34	1	1139-1183-01	Lasring	E-Ring	/K66B
35	1	1139-1215-01	Motordrev	Motor Gear	/K66B
36	1	1139-1287-01	Kullager	Ball Bearing	/K66B
38	2	1139-1022-01	Tryckplatta	Metal Thrust	/K66B
39	1	1139-1187-01	Stänkplatta	Swash Plate Cmp	/K66B
40	1	1139-1024-01	Lager	Bearing	/K66B
41	1	1139-1145-01	Tryckbricka	Thrust Plate	/K66B
42	1	1139-1026-01	Tryckplatta	Thrust Plate	/K66B
43	1	1139-1347-01	Fjäder	Spring	/K66B
44	1	1139-1188-01	By-Passaxel	By-Pass Shaft	/K66B
45	1	1139-1189-01	Arm	By-Pass Lever	/K66B
46	1	1139-1161-01	Lasring	Ring	/K66B
47	1	1139-1280-01	Stift	Pin	/K66B
54	1	1139-1285-01	Stift	Pin	/K66B
59	1	1139-1165-01	Tätning	Seal Ring	/K66B
60	1	1139-1191-01	Regleraxel Kpl	Control Shaft Cmp	/K66B
61	1	1139-1190-01	Vridcentrum	Fulcrum (Eccentricity)	/K66B
62	1	1139-1102-01	Bricka	Washer	/K66B
63	2	1139-1115-01	O-Ring	O-Ring	/K66B
64	1	1139-1127-01	Mutter	Nut	/K66B
66	1	1139-1201-01	Differentialdrevsats	Diff.Gear Kit	/K66B
67	2	1139-1203-01	Stift	Pin	/K66B
68	1	1139-1208-01	Slutdrev	Final Gear	/K66B



Utgåva Issue 20 - 2015		Kanzaki Transaxel K66B		Kanzaki Transaxle K66B	
Pos. Fig.	Antal Q.ty	Art nr Part No	Benämning	Description	Anmärkning Notes
69	1	1139-1192-01	Axel	Shaft (Final P)	/K66B
70	2	1139-1193-01	Bricka	Washer	/K66B
71	1	1139-1206-01	Reduktionsdrev	Reduction Gear	/K66B
72	1	1139-1209-01	Drev	Final Pinion	/K66B
76	1	1139-1225-01	Hjulaxel Vä	Axle Shaft Left	s/n 000001-002999/ K66B
76	1	1139-1332-01	Hjulaxel-Vä	Axle Shaft-L	s/n 003000-/K66B
77	2	1139-1155-01	Lasring	Ring	/K66B
78	1	1139-1226-01	Hjulaxel Hö	Axle Shaft Right	s/n 000001-002999/ K66B
78	1	1139-1333-01	Hjulaxel-Hö	Axle Shaft-R	s/n 003000-/K66B
79	2	1139-1156-01	Bussning	Bushing	/K66B
80	1	1139-1213-01	Hylsa	Collar	s/n 000001-003373/ K66B
80	1	1139-1330-01	Hylsa	Collar	s/n 003374-/K66B
81	2	1139-1044-01	Tätning	Seal 25.4*42*8	/K66B
82	2	1139-1194-01	Bricka	Thrust Washer	/K66B
85	1	1139-1227-01	Bromsarm	Brake Arm	/K66B
86	1	1139-1228-01	Returfjäder	Return Spring	/K66B
87	1	1139-1195-01	Bromsskiva	Brake Disc	/K66B
88	1	1139-1196-01	Bromssko	Brake Shoe	/K66B
89	1	1139-1198-01	Shimssats	Shim Set	/K66B
90	1	1139-1200-01	Tryckplatta	Brake Actuator	/K66B
91	1	1139-1197-01	Bromsaxel	Brake Shaft	/K66B
92	1	1139-1199-01	Bricka	Washer	/K66B
93	1	1139-1114-01	O-Ring	O-Ring	/K66B
100	2	1139-1278-01	Lasring	Ring	/K66B
103	1	1139-1230-01	Lock	Cap	/K66B
104	1	1139-1290-01	Packning	Packing	/K66B
105	1	1139-1186-01	Filter	Filter	/K66B
107	1	1139-1018-01	Fjäder	Spring	/K66B
109	1	1139-1357-01	Pumphus Kpl	Pump Case Kit	Inkl. pos 136-138,154/ K66B
111	2	1139-1235-01	Anslutning	Connector	/K66B
112	2	1139-1168-01	Packning	Packing	/K66B
113	1	1139-1148-01	Stift	Pin	/K66B
114	2	1139-1350-01	O-Ring	O-Ring	/K66B
115	2	1139-1291-01	Bult	Bolt	/K66B
117	2	1139-1204-01	Nallager	Needle Bearing	/K66B
118	1	1139-1205-01	Hylsa	Collar	/K66B
119	1	1139-1146-01	Lasring	Ring	/K66B
121	1	1139-1217-01	Diffspärrgaffel	Diff.Lock Fork	/K66B
122	1	1139-1349-01	Diff.Spärrarm	Diff.Lock Arm	/K66B
123	1	1139-1219-01	Pivothylsa	Diff.Lock Pivot	/K66B
124	1	1139-1220-01	Fjäderkrok	Spring Hook	/K66B
125	1	1139-1221-01	Fästplatta	Arm Hold Plate	/K66B
126	1	1139-1222-01	Glidhylsa	Diff.Lock Slider	s/n 003000-003373/ K66B
126	1	1139-1331-01	Glidhylsa	Diff.Lock Slider	s/n 003374-/K66B
127	8	1139-1223-01	Stift	Diff.Lock Pin	/K66B

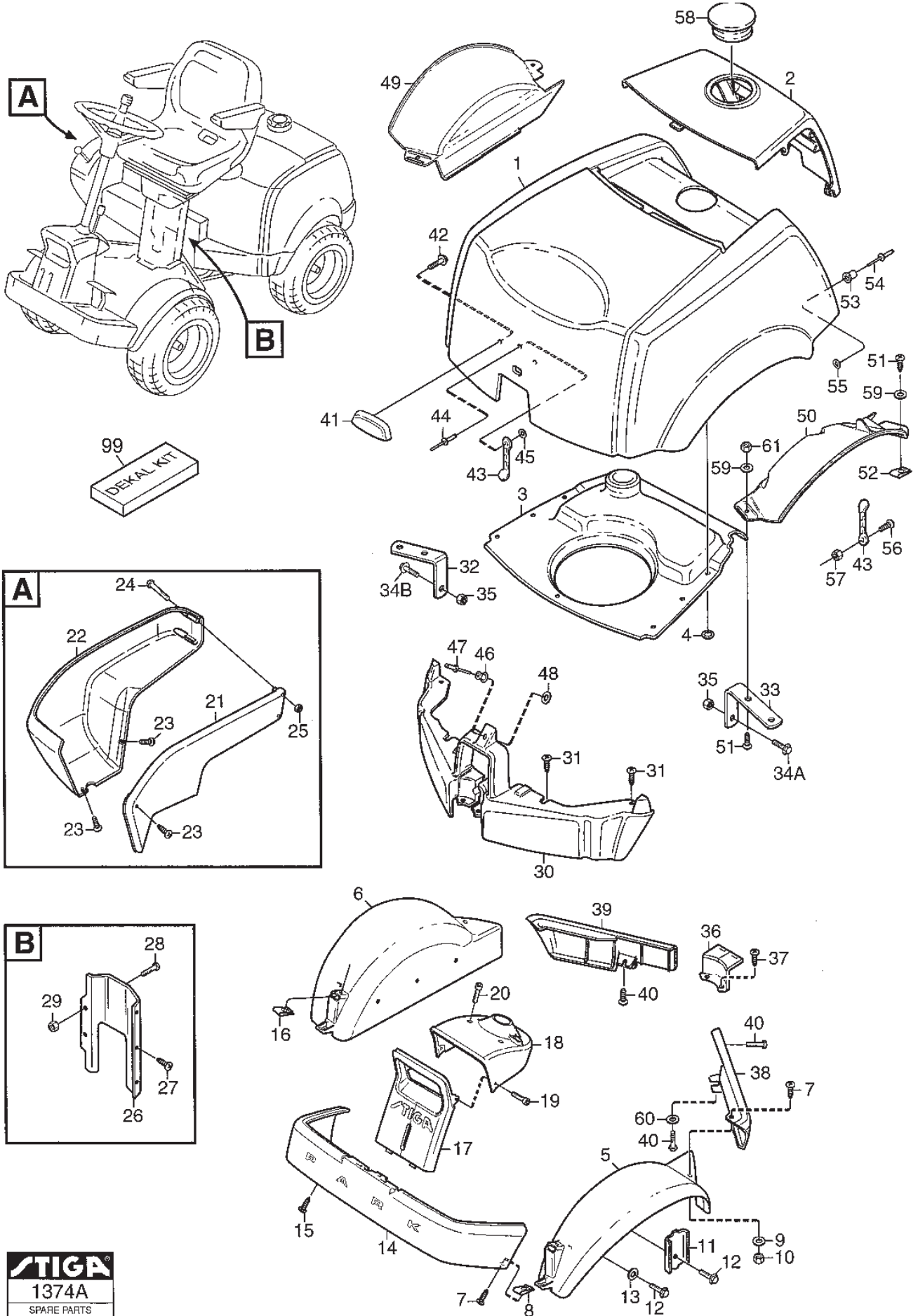


Utgåva Issue 20 - 2015		Kanzaki Transaxel K66B			
Pos. Fig.	Antal Q.ty	Art nr Part No	Benämning	Description	Anmärkning Notes
128	1	1139-1224-01	Diffspärrsplatta	Diff.Lock Plate	/K66B
129	2	1139-1289-01	Packning	Packing	/K66B
131	2	1139-1166-01	Stift	Pin	/K66B
136	1	1139-1154-01	Ventil Kpl	Valve Cmp	/K66B
138	1	1139-1234-01	Ventil	Check Cmp	/K66B
153	1	1139-1144-01	Returfjäder	Return Spring	/K66B
154	1	1139-1153-01	Ventil Kpl	Valve Cmp	/K66B

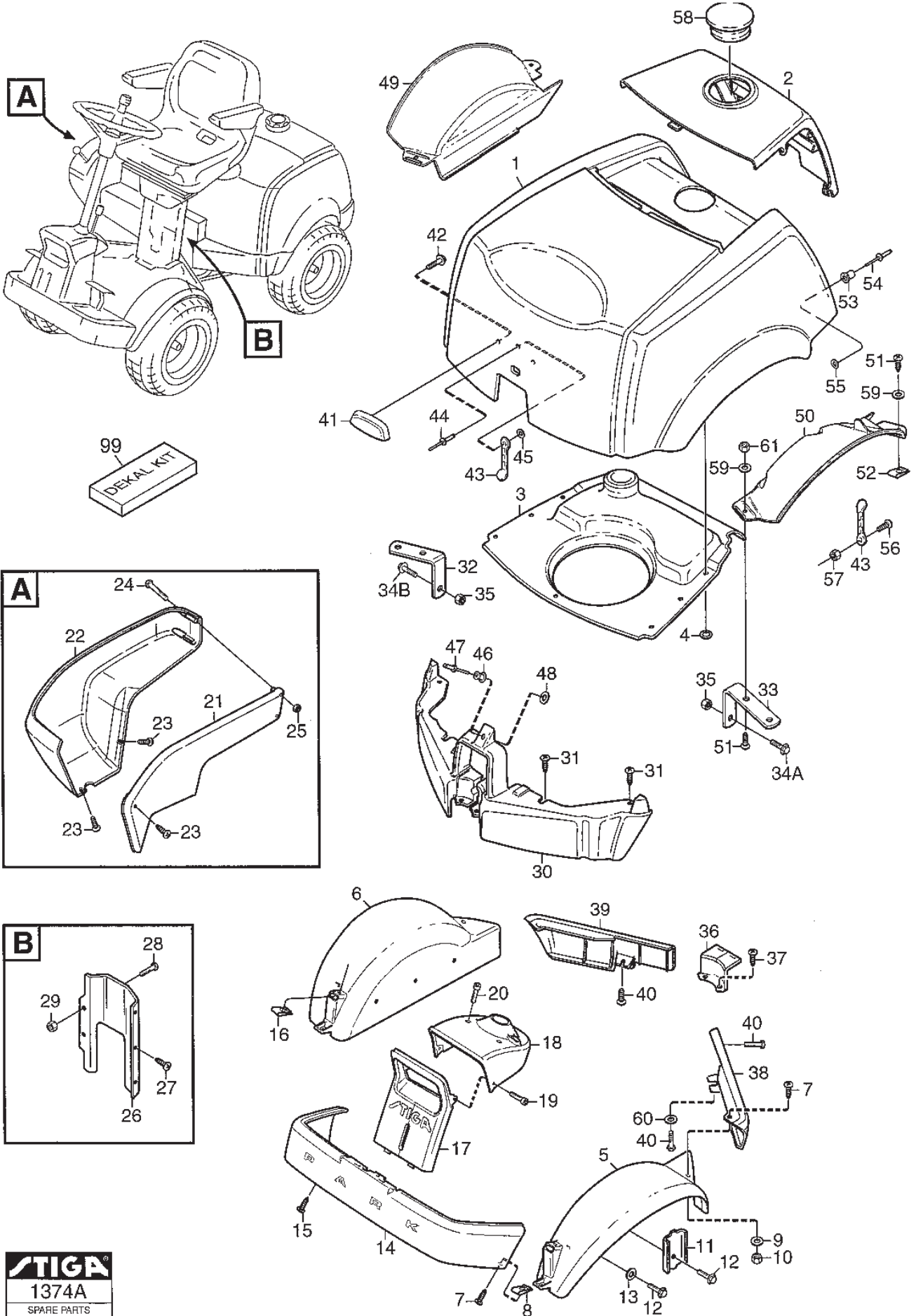




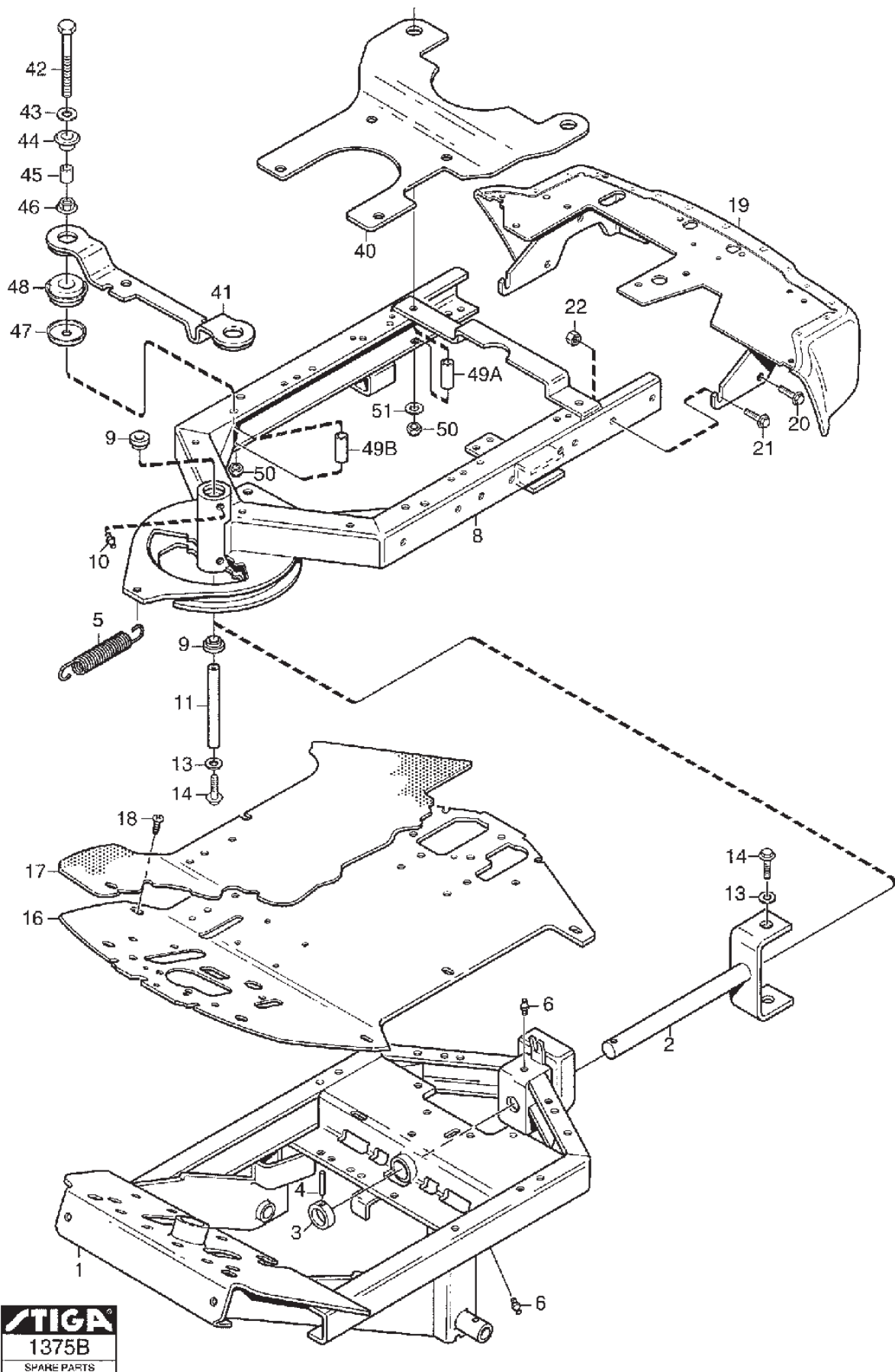
Utgåva Issue 20 - 2015		Monteringsdetaljer Assembly parts			
Pos. Fig.	Antal Q.ty	Art nr Part No	Benämning	Description	Anmärkning Notes
0	1	1134-4249-04	Tillbehörspåse	Accessory Bag	
4	1	9595-0262-00	Spännstift	Locating Pin	
5	1	9699-0103-02	Bricka	Washer	0.5 mm
5	1	9699-0114-02	Bricka	Washer	1.0 mm
6	2	1134-4185-01	Ansatsbricka	Flange Washer	
7	2	9959-0820-16	Skruv	Screw	
8	2	1134-2609-01	Lasratt	Locking Knob	
9	2	9699-0062-02	Bricka	Washer	
11	2	1134-4909-01	Tändningsnyckel	Ignition Key	
13	1	1134-4003-01	Dragplatta 24	Towing Plate	
14	2	9959-0820-16	Skruv	Screw	
15	2	9739-0831-22	Mutter	Nut	
16	2	9837-8914-12	Skruv	Screw	6112, 6113, 6143
30	1	1134-3771-58	Förp Instr.Bok (Park Diesel)	Folder W Manuals (Park Diesel)	
30	1	1134-3771-69	Fp Instr.Bok (Park Diesel)	Folder W Manuals (Park Diesel)	
31	1	8211-0209-10	Säkerhetsföreskrift Rider	Safety Regulations Ride-Ons	
31	1	8211-0209-11	Säkerh. Föreskrifter Front Mowers	Safety Regulations Front Mowers	
31	1	8211-0315-02	Bruksanvisning	Owner's Manual	
31	1	8211-0315-03	Bruksanvisning	Owner's Manual	
31	1	8211-0322-01	Servicebok Park Diesel	Service Book	
31	1	8211-0325-02	Bruksanvisning	Owner's Manual	
31	1	8211-2002-03	Garantikort Rider	Warranty Card	



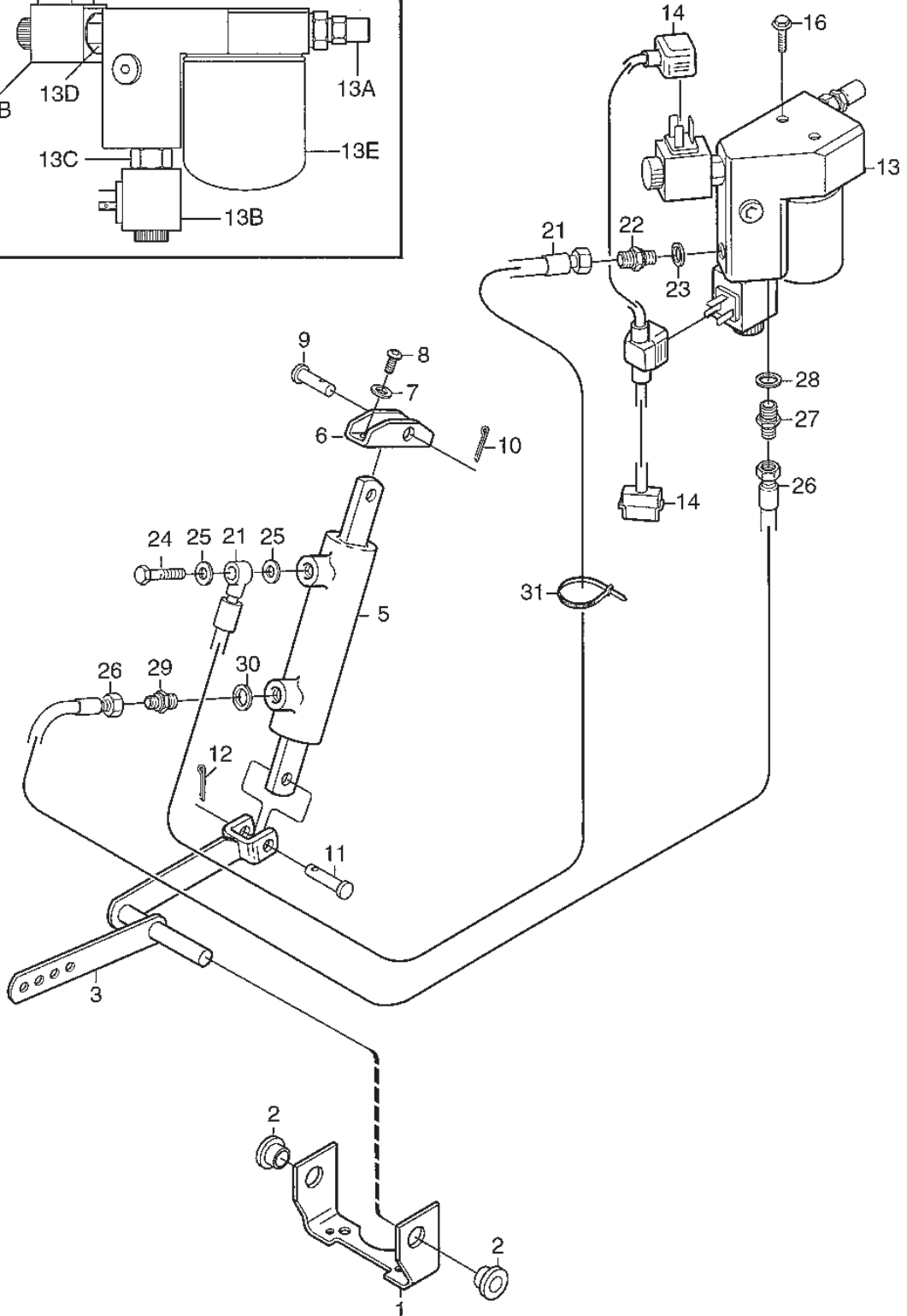
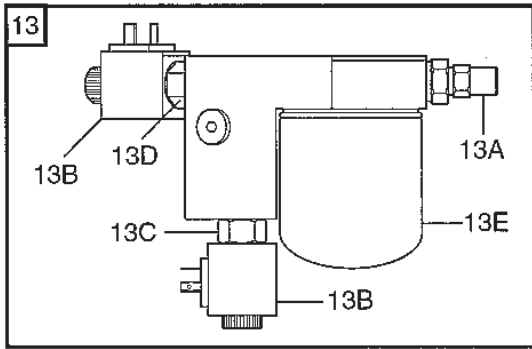
Utgåva Issue 20 - 2015					
Pos. Fig.	Antal Q.ty	Art nr Part No	Benämning	Description	Anmärkning Notes
1	1	1134-4929-01	Motorhuv Diesel 1-00	Engine Hood	
2	1	1134-3971-01	Motorlucka-Gra Stiga	Engine Cover-Grey	
3	1	1134-4925-01	Luftkanalplatta	Air Duct Plate	
4	7	9675-0008-02	Starlockbricka	Starlock	
5	1	1134-3943-01	Skärm Vänster	Mud Guard-Left	
6	1	1134-3943-02	Skärm Höger	Mud Guard-Right	
7	4	9893-0616-16	Skruv	Screw	
8	2	1134-4176-01	Clips	Clips	
9	2	9699-0025-02	Bricka	Washer	
10	2	9747-0631-02	Mutter	Nut	
11	2	1134-0225-00	Stödplat	Support Plate	
12	6	9945-0816-16	Skruv	Screw	
13	4	9699-0056-02	Bricka	Washer	
14	1	1134-4220-02	Stötfangare-Fram	Front Bumper	
15	6	9893-0616-16	Skruv	Screw	
16	2	1134-4176-01	Clips	Clips	
17	1	1134-4216-01	Frontkonsol Med Tryck	Frontplate-Grey (W/O Hole)	
18	1	1134-3984-01	Frontdekor Överdel Gra	Upper Front Plate-Grey	
19	2	9840-8009-16	Skruv	Screw	
20	2	9946-0525-16	Skruv	Screw	
21	1	1134-4360-01	Kapa-Inre (1-00)	Cover-Inner	
22	1	1134-3979-01	Kapa Yttre1-00	Cover-Outer	
23	5	9946-0525-16	Skruv	Screw	
24	2	9950-0570-12	Skruv	Screw	
25	2	9747-0531-02	Mutter	Nut	
26	1	1134-4152-01	Skyddskapa 1-00 F12	Cover	
27	3	9893-0616-16	Skruv	Screw	
28	2	9893-0616-16	Skruv	Screw	
29	2	9739-0631-22	Mutter	Nut	
30	1	1134-4798-01	Spoiler-Gra	Spoiler-Grey	
31	4	9893-0616-16	Skruv	Screw	
32	1	1134-4012-03	Stöd-Hö	Support, Right	
33	1	1134-4012-04	Stöd-Vä	Support, Left	
34	1	9959-0820-16	Skruv	Screw	L = 20 mm
34	1	9959-0830-16	Skruv	Screw	L = 30 mm
35	2	9739-0831-22	Mutter	Nut	
36	1	1134-3985-01	Täcklock	Cover	
37	2	9893-0616-16	Skruv	Screw	
38	1	1134-3970-05	Kantlist-Vä (Gra) 7-14	Moulding-Left (Grey)	
39	1	1134-3970-02	Kantlist-Hö (Gra) 7-14	Moulding Right-Grey	
40	3	9893-0616-16	Skruv	Screw	
41	1	1134-4799-02	Handtag (Svart) 5-01	Handle (Black)	
42	2	9838-9516-12	Skruv	Screw	
43	1	1134-9028-01	Gummistropp (3 St)	Rubber Strap (3 Pcs)	Sats 3 st/kit of 3
44	1	9632-0516-00	Popnit Tap/D/Bs 416 Gf9.5	Pop Rivet	
45	1	9699-0120-02	Bricka	Washer	
46	1	9405-0029-00	Knopp	Knob	
47	1	9632-0513-00	Popnit1-0420 Bs [Tap/D Bs] 3,2X20	Pop Rivet	
48	1	9699-0120-02	Bricka	Washer	



Utgåva Issue 20 - 2015					
Pos. Fig.	Antal Q.ty	Art nr Part No	Benämning	Description	Anmärkning Notes
49	1	1134-4800-01	Innerskärm-Hö (Park)	Inner Mud Guard-Rh (Park)	
50	1	1134-4801-01	Innerskärm-Vä (Park)	Inner Mud Guard-Lh (Park)	
51	4	9893-0616-16	Skruv	Screw	
52	2	1134-4176-01	Clips	Clips	
53	2	9405-0029-00	Knopp	Knob	
54	2	9632-0513-00	Popnit1-0420 Bs [Tap/D Bs] 3,2X20	Pop Rivet	
55	2	9699-0120-02	Bricka	Washer	
56	2	9893-0616-16	Skruv	Screw	
57	2	9747-0631-02	Mutter	Nut	
58	1	9403-0047-01	Täcklock (G1102X2-4)	Cover	
59	4	9699-0060-02	Bricka	Washer	
60	1	9699-0060-02	Bricka	Washer	
61	1	9747-0631-02	Mutter	Nut	
99	1	1134-4593-08	Dekalsats	Label Kit	Diesel

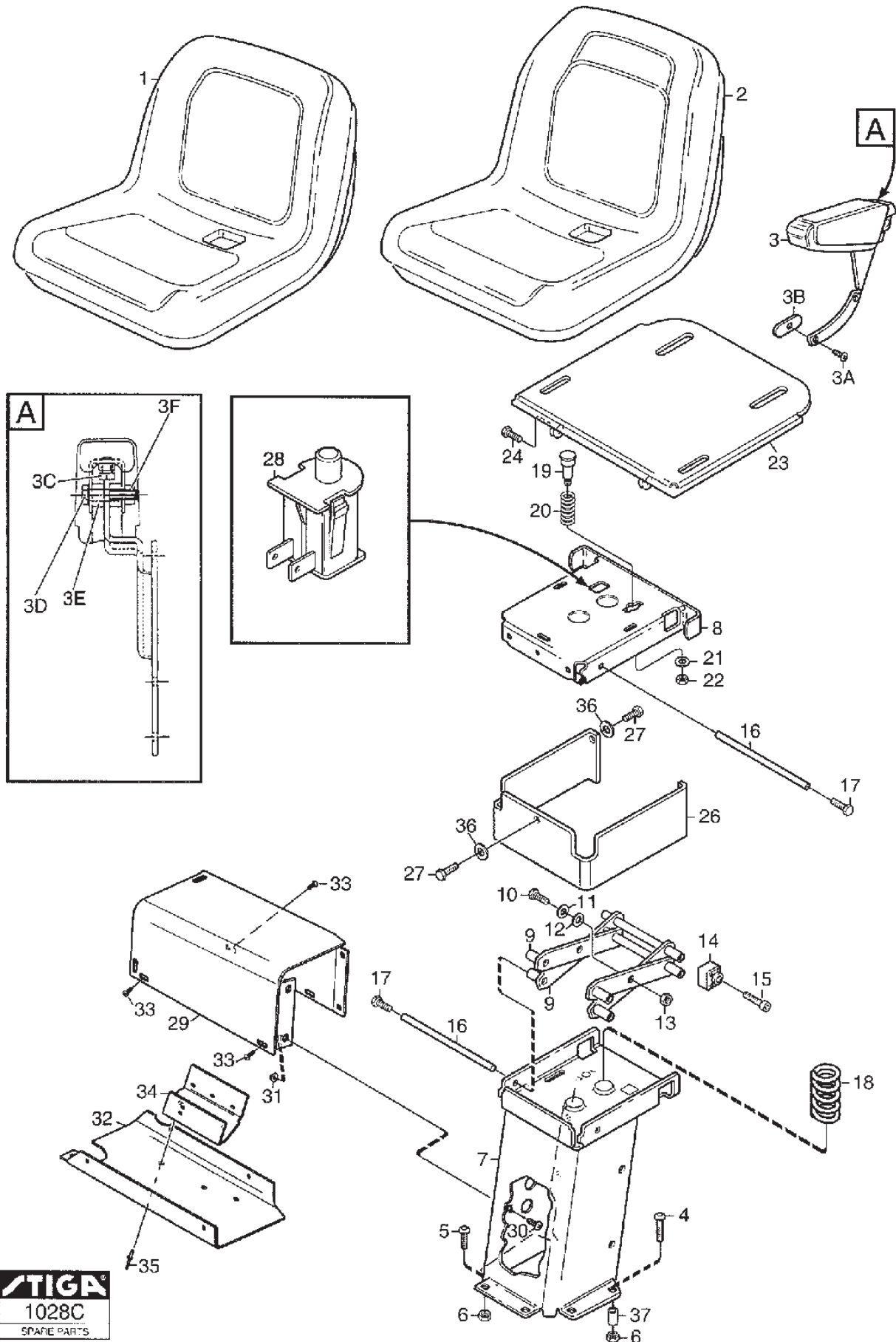


Utgåva Issue 20 - 2015		Ram (Diesel Motor)		Frame (Diesel Engine)	
Pos. Fig.	Antal Q.ty	Art nr Part No	Benämning	Description	Anmärkning Notes
1	1	1134-5315-01	Frame-Front	Frame-Front	
2	1	1134-3963-02	Midjegaffel Service 5-01 H10	Fork	
3	1	1134-0031-00	Ledaxelstopp	Pivot Shaft Stop	
4	1	9595-0262-00	Spännstift	Locating Pin	
5	1	1134-2171-01	Fjäder	Spring	
6	2	9501-0500-00	Smörjkopp Kort Rak	Grease Dispenser	
8	1	1134-4913-01	Ram-Bakre (Park Diesel) 5-01 L01A	Frame-Rear	
9	2	9547-0001-00	Ledlager Ge17Es	Bearing	
10	2	9501-0500-00	Smörjkopp Kort Rak	Grease Dispenser	
11	1	1134-3968-02	Centrumaxel	Centre Shaft	
13	2	9699-0035-02	Bricka	Washer	
14	2	9959-1020-16	Skruv	Screw	
16	1	1134-5294-01	Durk (5-01)	Floor Plate (5-01)	
17	1	1134-5514-01	Durkmatta Hst Stiga	Floor Mat Hst	
18	2	9893-0616-16	Skruv	Screw	
19	1	1134-5115-01	Stötfangare, Gra	Bumper, Grey	
20	2	9945-0816-16	Skruv	Screw	
21	2	9959-0820-16	Skruv	Screw	
22	2	9739-0831-22	Mutter	Nut	
40	1	1134-4916-01	Motorstag	Engine Support	
41	1	1134-4918-01	Engine Fäste	Engine Support	
42	4	9997-1011-06	Skruv	Screw	
43	4	9699-0030-02	Bricka	Washer	
44	4	1111-2453-01	Bricka	Isolation Washer	
45	4	1134-4919-01	Distans	Spacer	
46	4	9739-1031-22	Mutter	Nut	
47	4	1134-4915-01	Stödkopp	Support Cup	
48	4	1134-4920-01	Dämpement	Vibration Absorber	
49	2	1134-0041-03	Bussning	Bushing	L = 55 mm
49	2	1134-0041-06	Bussning	Bushing	L = 52 mm
50	4	9747-1031-02	Mutter	Nut	
51	2	9699-0030-02	Bricka	Washer	



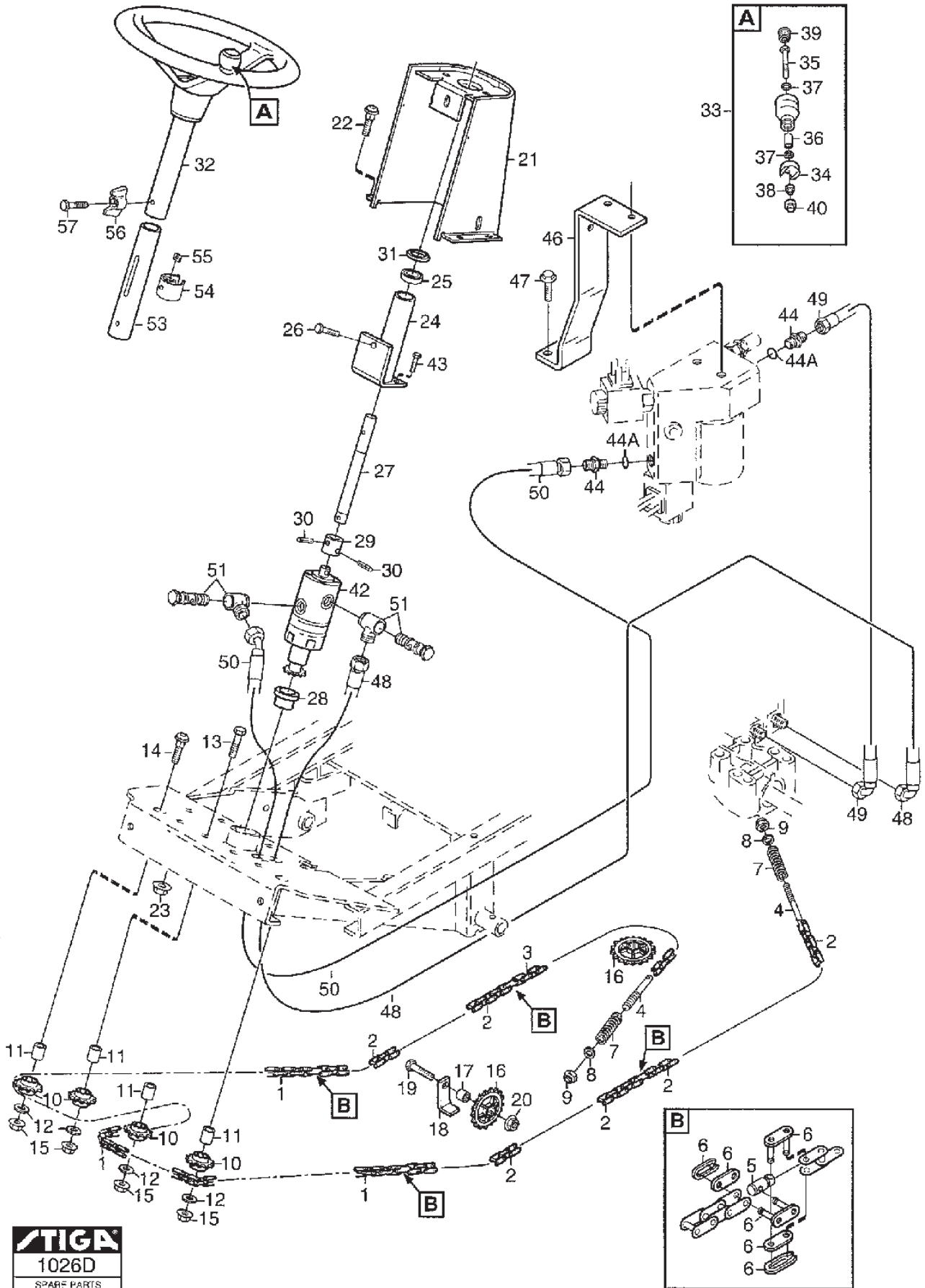


Utgåva Issue 20 - 2015					
Pos. Fig.	Antal Q.ty	Art nr Part No	Benämning	Description	Anmärkning Notes
1	1	1134-4117-01	Fäste	Bracket	
2	2	1134-2684-01	Lager	Bearing	
3	1	1134-4812-01	Lyftarm	Lift Lever	
5	1	1134-4809-01	Hydraulcylinder	Hydraulic Cylinder	
6	1	1134-4815-01	Cylinderfäste	Cylinder Bracket	
7	2	9699-0025-02	Bricka	Washer	
8	2	9893-0616-16	Skruv	Screw	
9	1	1134-4816-01	Stift	Pin	Ø 10 x 29
10	1	9599-0054-02	SaxSprint	Split Pin	
11	1	1134-4817-01	Stift	Pin	Ø 10 x 34
12	1	9599-0054-02	SaxSprint	Split Pin	
13	1	1134-5120-01	Hydraulventil Kpl	Hydraulic Valve Assy	
13	1	1134-5242-01	Tryckbegränsningsventil (30 Svärd)	Pressure Restriction Valve (30 Bar)	30 bar
13	2	1134-5241-01	Magnetspole (12Vdc-18W)	Magnet Spool (12Vdc-18W)	12V DC, 18W
13	1	1134-5240-01	Elventil (Nc)	Electric Valve (Nc)	NC
13	1	1134-5239-01	Elventil (No)	Electric Valve (No)	NO
13	1	1134-4109-01	Oljefilter	Oil Filter	
14	1	1134-5028-01	Kontaktidon	Contact Unit	
16	2	9959-0612-16	Skruv	Screw	
21	1	1134-4819-02	Hydraulslang	Hydraulic Tube	
22	1	1134-4824-01	Adapter	Adapter	1/4" x 1/8"
23	1	1134-4948-01	Bricka	Washer	1/4"
24	1	1134-4826-01	Banjoskruv (R1/8")	Banjo Bolt	
25	2	1134-4947-01	Bricka	Washer	
26	1	1134-4820-01	Hydraulslang	Hydraulic Tube	
27	1	1134-4824-01	Adapter	Adapter	1/4" x 1/8"
28	1	1134-4948-01	Bricka	Washer	1/4"
29	1	1134-4825-01	Adapter	Adapter	1/8" x 1/8"
30	1	1134-4947-01	Bricka	Washer	
31	4	9579-0003-00	Buntband	Cable Holder	

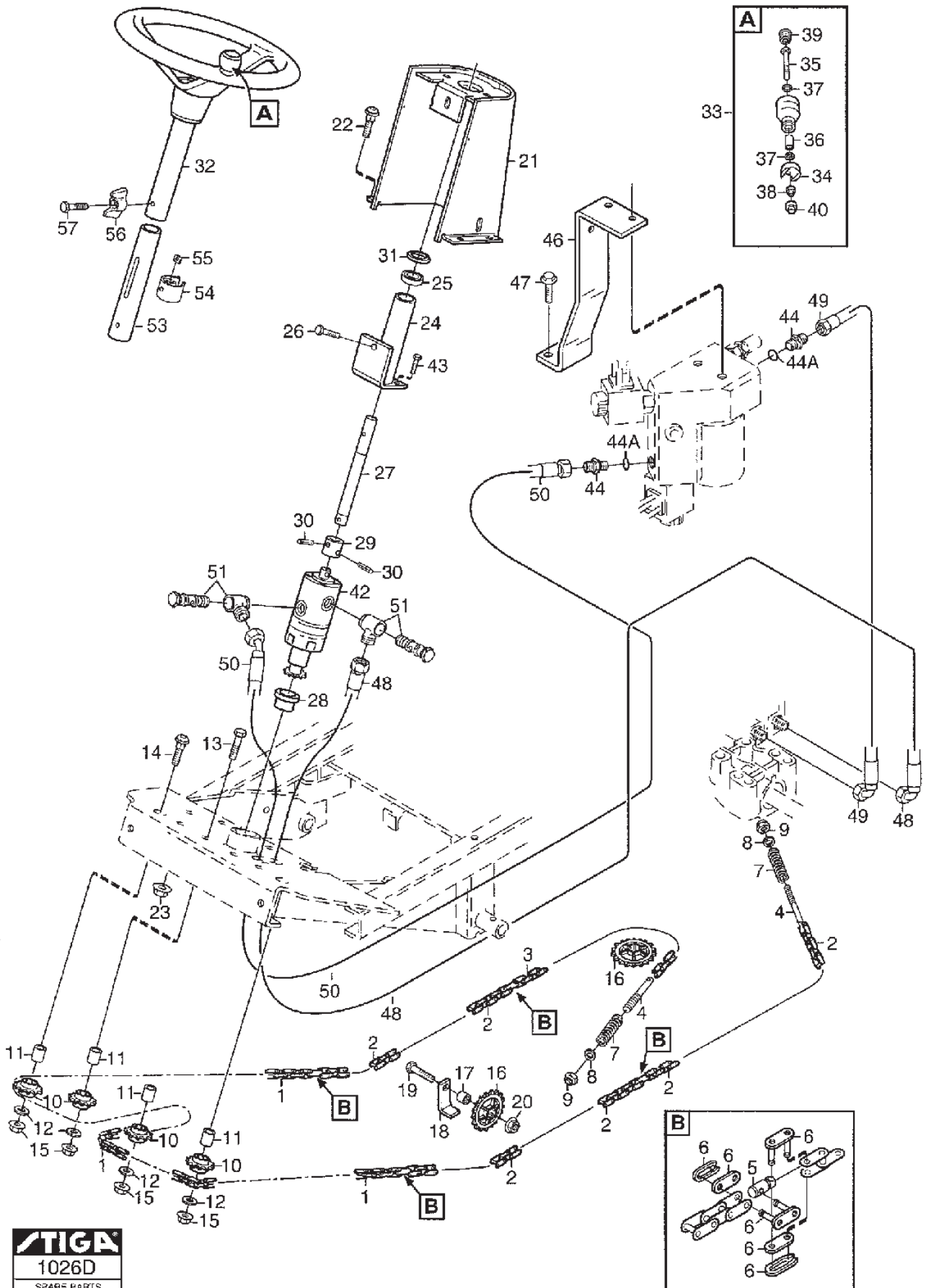


**STIGA**  
1028C  
SPARE PARTS

Utgåva Issue 20 - 2015		Sits	Seat		
Pos. Fig.	Antal Q.ty	Art nr Part No	Benämning	Description	Anmärkning Notes
2	1	1134-4224-01	Sits (Xb180)	Seat	
2	1	8290-9014-01	Sitsöverdrag/Värmedyna	Seat Cover	Ej ill/not ill.
3	1	1134-4225-01	Armstöd (för Xb180, Xb150)	Arm Rest	
3	6	1134-5095-01	Skruv	Screw	
3	6	1134-5096-01	Mutter	Nut	
3	2	9988-3713-16	Skruv	Screw	L = 13 mm
3	2	9988-3745-12	Skruv	Screw	L = 45 mm
3	4	1134-5094-01	Distans	Spacer	
3	2	9795-3731-02	Mutter	Nut	
4	2	9897-0880-12	Skruv	Screw	L = 80 mm
5	4	9897-0820-16	Skruv	Screw	L = 20 mm
6	6	9747-0831-02	Mutter	Nut	
7	1	1134-4085-01	Sitskonsol Kpl. 02	Seat Bracket	
8	1	1134-4144-01	Övre Platta Kpl 5-01 F12	Upper Seat Plate	
9	2	1134-4083-01	Länkkarm Kpl.	Pivot Link	
10	2	1134-0240-00	Skruv	Screw	
11	2	9699-0069-02	Bricka	Washer	
12	2	9665-0002-00	Bricka	Washer	
13	2	9747-0831-02	Mutter	Nut	
14	4	1134-4084-01	Glidsko	Slide Block	
15	4	9939-0816-16	Skruv	Screw	
16	2	1134-4082-03	Axel	Shaft	
17	4	9959-0816-16	Skruv	Screw	
18	2	1134-4160-01	Fjäder	Spring	
19	1	1134-4153-01	TryckSprint	Push Pin	
20	1	1134-4159-01	Fjäder	Spring	
21	1	9699-0056-02	Bricka	Washer	
22	1	9739-0831-22	Mutter	Nut	
23	1	1134-4213-01	Glidplatta Kpl 5-01 L 02	Slide Plate	
24	2	1134-0240-00	Skruv	Screw	
26	1	1134-4142-01	Svep	Cover	
27	3	9849-8013-16	Skruv	Screw	
28	1	1134-3156-01	Brytare	Switch	
29	1	1134-3990-01	Armsvep Kpl 041-00	Attachment-Side Panel	
30	2	9897-0820-16	Skruv	Screw	
31	2	9739-0831-22	Mutter	Nut	
32	1	1134-4130-01	Undre Lock (1-00)	Cover Lower	
33	4	9840-8009-16	Skruv	Screw	
34	1	1134-4135-01	Relähallare 24	Relay Holder	
35	2	9632-0522-00	Popnit, 1661-0512 D4X9,5	Pop Rivet	
36	3	9699-0087-02	Bricka	Washer	
37	2	1134-1565-08	Distans	Spacer	

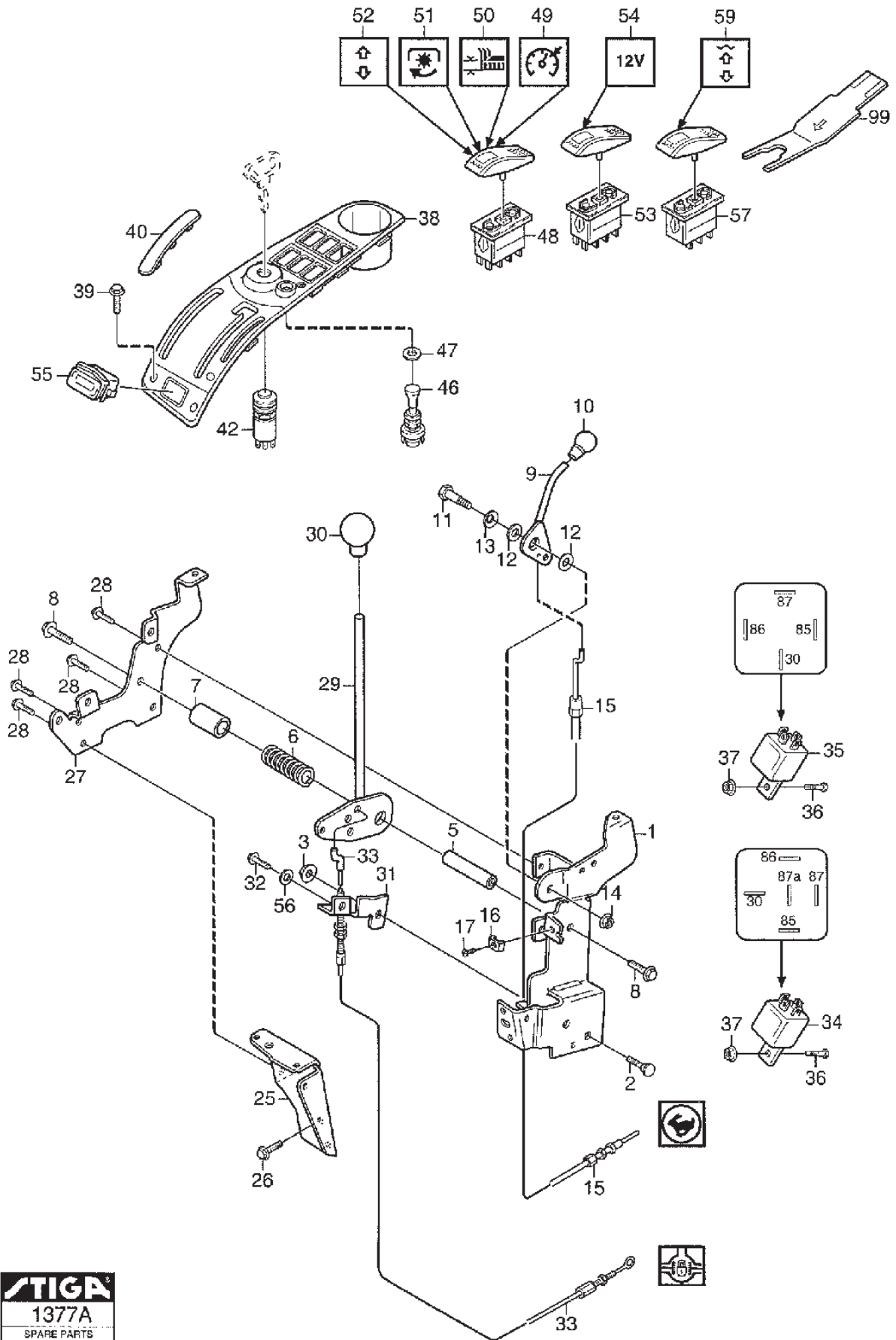


Utgåva Issue 20 - 2015		Styrning		Steering	
Pos. Fig.	Antal Q.ty	Art nr Part No	Benämning	Description	Anmärkning Notes
1	1	1134-2820-06	Kedja	Chain	83 länk
2	3	1134-2820-02	Kedja	Chain	41 länk
3	1	1134-2820-04	Kedja	Chain	45 länk
4	2	1134-3550-01	Ändnippel (L110)	End Nipple	
5	4	1134-3565-01	Skarvnippel	Connection Nipple	
6	10	1134-2824-01	Kedjelas	Chain Lock	
7	2	1134-3817-01	Fjäder	Spring	
8	2	9699-0090-02	Bricka   Bricka	Washer   Washer	
9	2	9747-0831-02	Mutter	Nut	
10	4	1134-2816-01	Kedjehjul	Sprocket	
11	4	1134-0041-02	Bussning	Bushing	
12	4	9699-0035-02	Bricka	Washer	
13	2	9997-1050-16	Skruv	Screw	
14	2	9897-1040-12	Skruv	Screw	
15	4	9739-1031-22	Mutter	Nut	
16	3	1134-3547-01	Kedjehjul	Sprocket	
17	2	1134-0041-01	Bussning	Bushing	
18	2	1134-3022-01	Fäste	Bracket	
19	2	9997-1030-16	Skruv	Screw	
20	2	9739-1031-22	Mutter	Nut	
21	1	1134-4120-03	Styrkonsol	Steering Console	
22	4	9897-0820-16	Skruv	Screw	
23	4	9739-0831-22	Mutter	Nut	
24	1	1134-4113-01	Rattrör Nedre Kpl 15	Steering Tube Lower	
25	1	9549-0017-00	Kullager	Ball Bearing	
26	1	9945-0816-16	Skruv	Screw	
27	1	1134-4087-01	Rattstang	Steering Rod	
28	1	1134-4114-01	Bussning	Bushing	
29	1	1134-4118-01	Koppling	Coupling	
30	2	9595-0256-01	Spännstift 6X28 Typ N Iso 8750	Locating Pin	
31	1	9695-0011-00	Bricka	Washer	
32	1	1134-5173-02	Ratt Kpl	Steering Wheel	
33	1	1134-3769-01	Styrknopp Kpl Service	Steering Wheel Button Kit	
34	1	1134-3752-01	Knoppfäste	Knob Holder	
35	1	9997-0865-12	Skruv	Screw	
36	1	1134-1565-06	Distans	Spacer	
37	2	9699-0090-02	Bricka   Bricka	Washer   Washer	
38	1	9747-0831-02	Mutter	Nut	
39	1	9403-0043-70	Plugg	Plug	
40	1	9403-0113-00	Ringmutter	Ring Nut	
42	1	1134-5162-01	Momentförstärkare	Steering Booster	
43	3	9939-0612-16	Skruv	Screw	
44	2	9404-0028-01	O-Ring 11,89 X 1,98	O-ring	
44	2	1134-4282-01	Hydraulnippel	Hydraulic Nipple	9/16" x 9/16"
46	1	1134-4982-02	Filterfäste 5-01 F24	Filter Bracket	
47	2	9945-0816-16	Skruv	Screw	
48	1	1134-5098-01	Hydraulslang	Hydraulic Tube	L = 1690 mm
49	1	1134-4229-01	Hydraulslang	Hydraulic Hose	L = 615 mm
50	1	1134-5099-01	Hydraulslang	Hydraulic Tube	L = 1300 mm



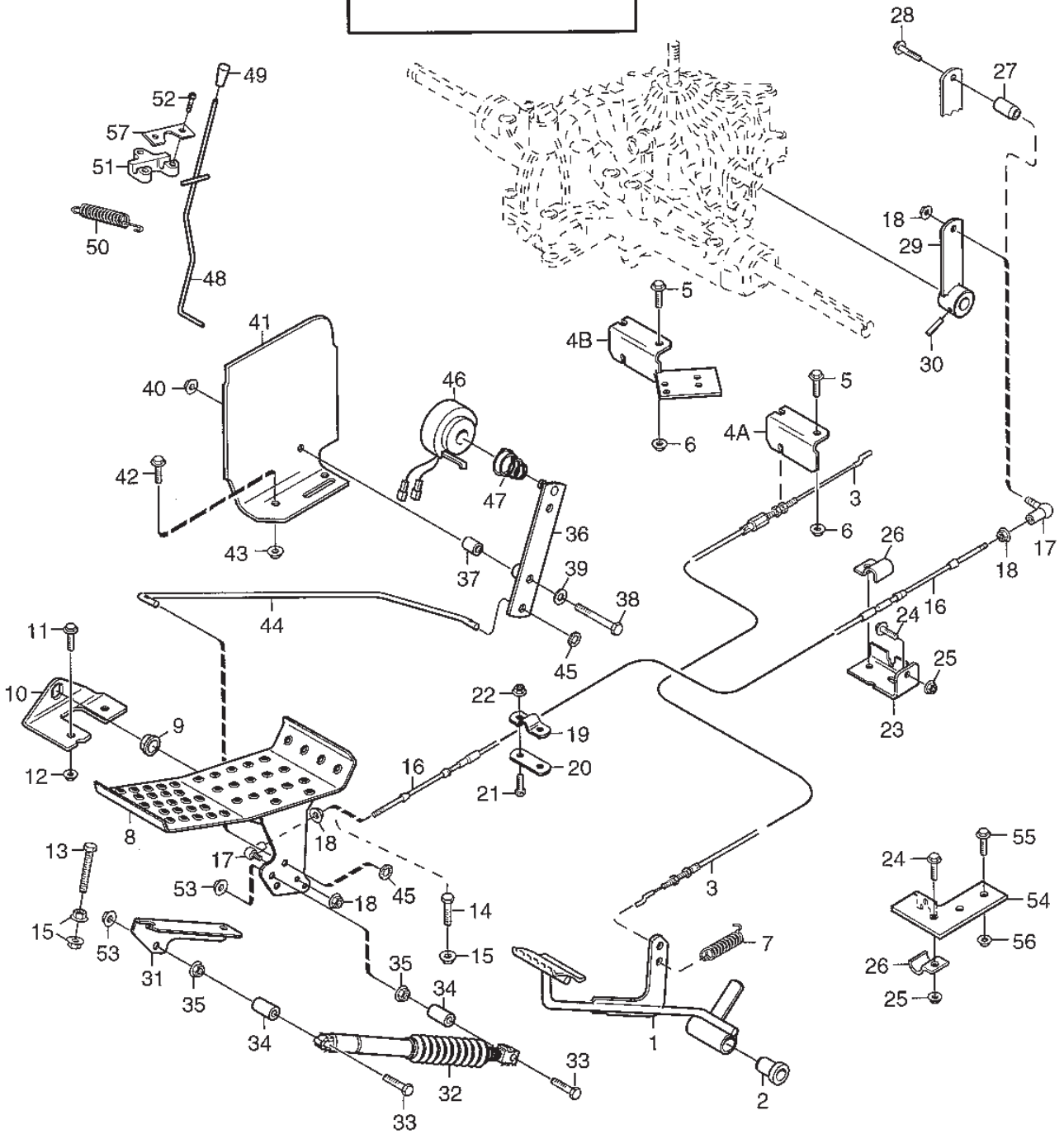
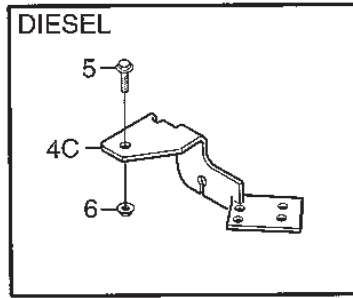
**STIGA**  
1026D  
SPARE PARTS

Utgåva Issue 20 - 2015		Styrning Steering			
Pos. Fig.	Antal Q.ty	Art nr Part No	Benämning	Description	Anmärkning Notes
51	2	1134-5100-01	Banjokoppling	Banjo Nipple	
53	1	1134-5216-01	Rattrör-Inre Kpl	Steering Tube-Inner Assy	
54	1	1134-5177-01	Slid	Slide	
55	1	9710-0631-12	Lasmutter	Nut	
56	1	1134-4481-02	Vingmutter	Wing Nut	
57	1	9997-0630-12	Skruv	Screw	

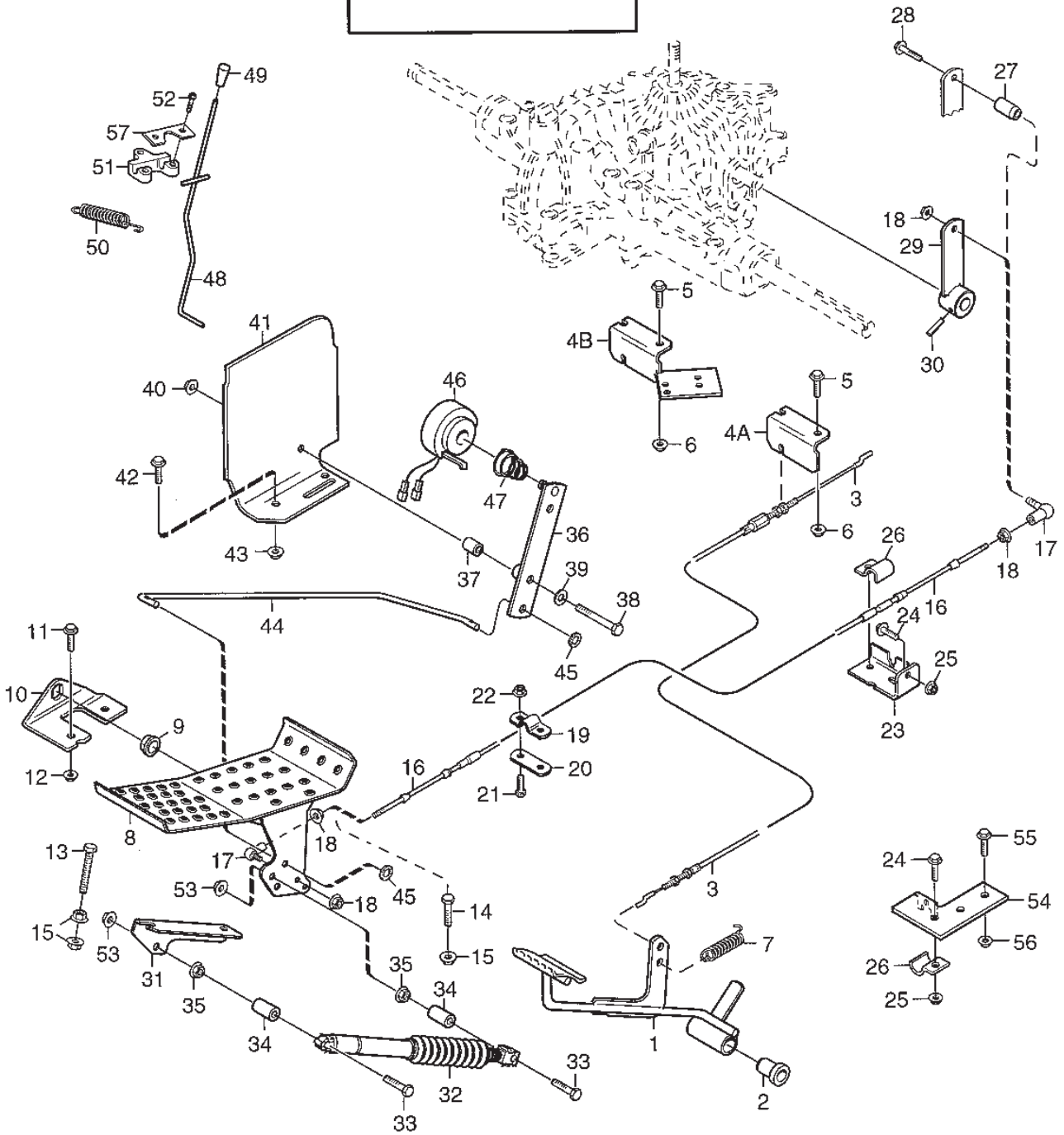
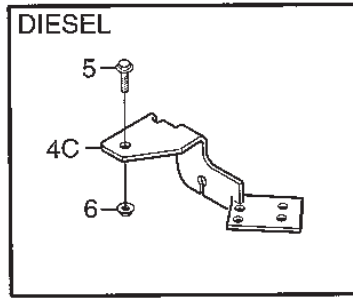




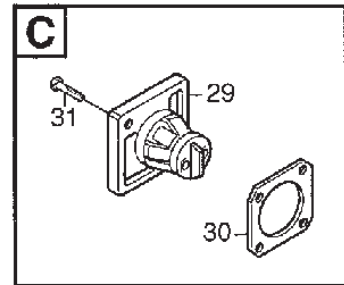
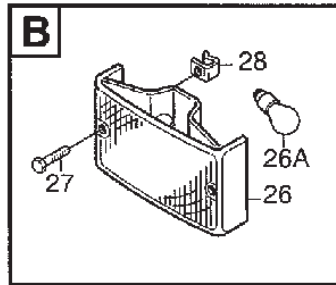
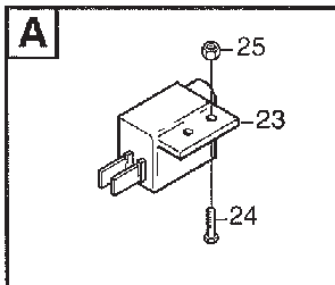
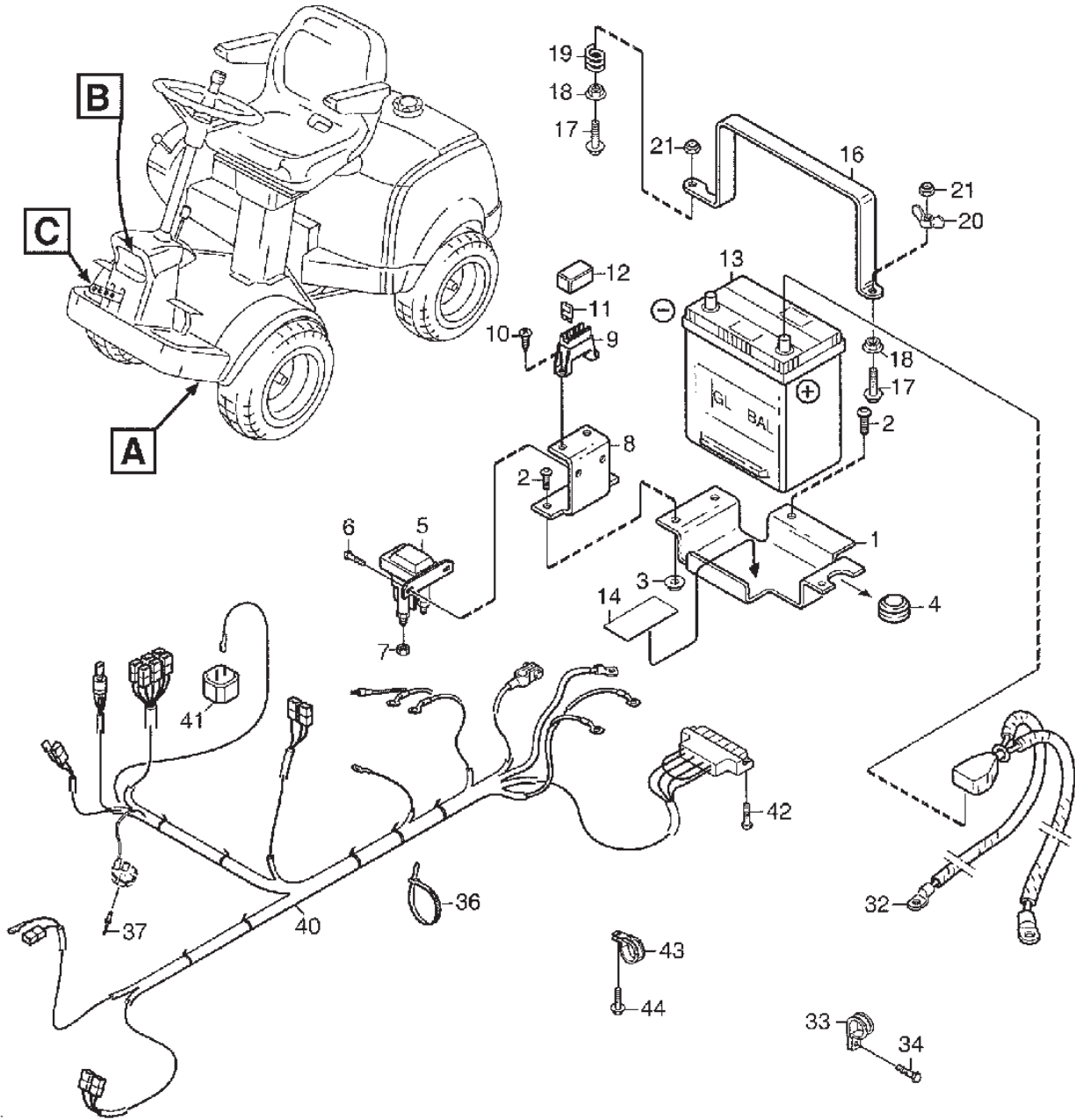
Utgåva Issue 20 - 2015					
Pos. Fig.	Antal Q.ty	Art nr Part No	Benämning	Description	Anmärkning Notes
1	1	1134-4156-01	Vinkelhallare Kpl 24	Panel Bracket-Inner	
2	2	9897-0820-16	Skruv	Screw	
3	2	9739-0831-22	Mutter	Nut	
5	1	1134-4065-01	Reglageaxel	Control Shaft	
6	1	1134-4079-01	Fjäder	Spring	
7	1	1134-4080-03	Reglagehylsa	Control Sleeve	
8	2	9959-0820-16	Skruv	Screw	
9	1	1134-4077-01	Gasreglage	Throttle Cable	
10	1	1134-4078-01	Knopp	Knob	
11	1	1134-0240-00	Skruv	Screw	
12	2	1134-4242-01	Distansbricka	Washer	
13	1	9694-0001-00	Bricka	Washer	
14	1	9739-0831-22	Mutter	Nut	
15	1	1134-4923-01	Gasreglage	Throttle Cable	
16	1	9500-9991-00	Kabelklämma	Wire Clamp	
17	1	9943-0516-16	Skruv	Screw	
25	1	1134-4487-02	Frontfäste 5-01 H14	Panel Bracket-Front	
26	2	9893-0616-16	Skruv	Screw	
27	1	1134-3986-01	Frontplat	Frontplate	
28	4	9893-0616-16	Skruv	Screw	
29	1	1134-4069-01	Reglagespak	Control Lever	
30	1	1134-2551-01	Knopp	Knob	
31	1	1134-4073-01	Vajerfästplat	Cable Holder	
32	1	9942-0612-16	Skruv	Screw	
33	1	1134-4006-01	Vajer	Cable	
34	1	1134-2871-03	Relä	Relay	
35	1	1134-2871-01	Relä	Relay	
36	2	9997-0512-16	Skruv	Screw	
37	2	9739-0531-22	Mutter	Nut	
38	1	1134-3981-04	Kassett	Dashboard	
39	4	9946-0525-16	Skruv	Screw	
40	1	1134-4154-01	Täckbricka	Cover	
42	1	1134-4908-01	Tändningslas	Ignition Switch	
46	1	9400-0296-01	Brytare	Switch	
47	1	9699-0090-02	Bricka   Bricka	Washer   Washer	
48	4	9400-0282-01	Brytare (Med Diod)	Switch	
49	1	9400-0280-02	Vippa Farthallare	Switch	
50	1	9400-0280-03	Vippa Höjdinst	Switch Cover-Height Adjust	
51	1	9400-0280-01	Vippa Pto	Switch Cover-Pto	
52	1	9400-0280-04	Vippa rödskap Bak	Switch Cover-Rear Rake	
53	1	9400-0283-01	Brytare	Switch	
54	1	9400-0280-05	Vippa rödskap 12V	Switch Cover-12V	
55	1	1134-4179-02	Timräknare	Hour Meter	
56	1	9699-0025-02	Bricka	Washer	
57	1	9400-0295-01	Brytare	Switch	
59	1	9400-0280-06	Vippa-Ellyft	Switch Cover-El.Lift	
99	1	9400-0290-01	Verktyg F.Vippa	Tool	Tillbehör/Accessory



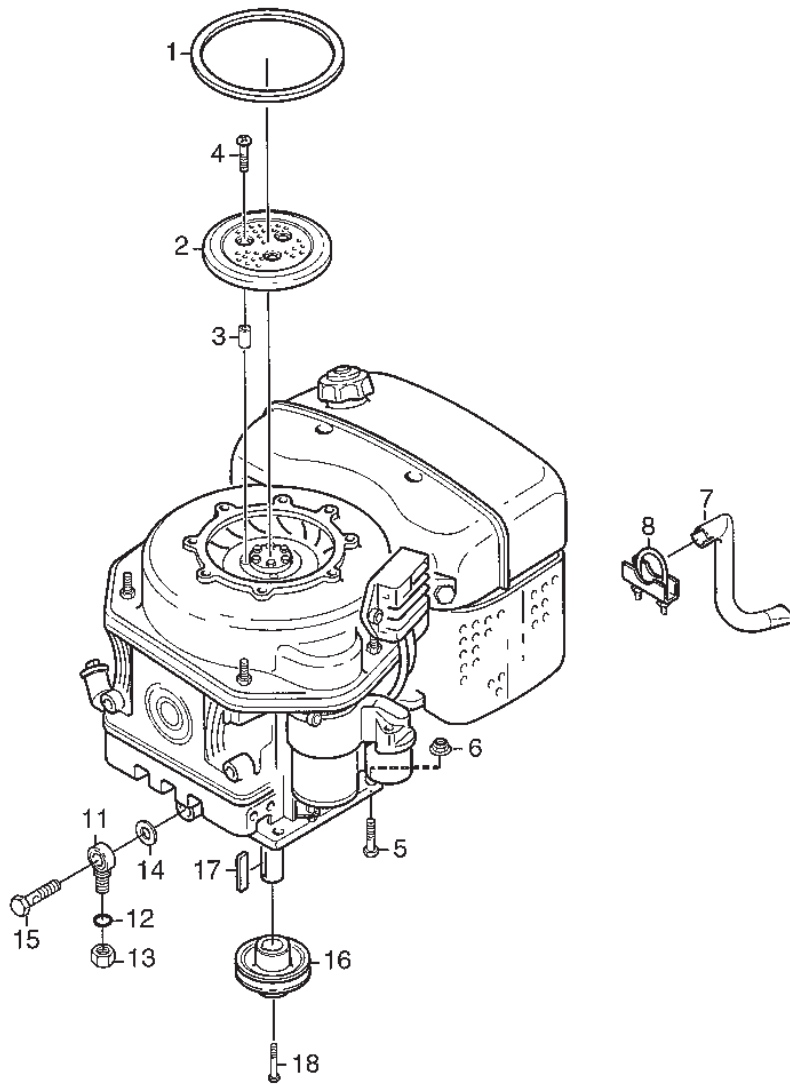
Utgåva Issue 20 - 2015		Park Fotreglage		Park Foot Controls	
Pos. Fig.	Antal Q.ty	Art nr Part No	Benämning	Description	Anmärkning Notes
1	1	1134-4247-01	Kopplingspedal Kpl	Clutch Pedal	
2	1	1134-9024-01	Lager (4 St)	Bearing	Sats 4 st/kit of 4
3	1	1134-3584-02	Wire	Brake/Clutch Cable	
4	1	1134-4927-01	Fäste	Bracket	
5	2	9959-0816-16	Skruv	Screw	
6	2	9739-0831-22	Mutter	Nut	
7	1	1134-3974-01	Fjäder	Spring	
8	1	1134-4008-01	Drivpedal	Drive Pedal	
9	2	1134-2780-01	Lager	Bearing	
10	2	1134-2700-01	Fäste	Bracket	
11	2	9959-0820-16	Skruv	Screw	
12	2	9739-0831-22	Mutter	Nut	
13	1	9997-0870-16	Skruv	Screw	
14	1	9959-0816-16	Skruv	Screw	
15	3	9739-0831-22	Mutter	Nut	
16	1	1134-2766-04	Reglagevajer	Speed Control Cable	
17	2	9570-0001-00	Vinkellänk As8 Din 71802M5	Elbow Link	
18	4	9739-0531-22	Mutter	Nut	
19	1	1134-0266-00	Fästbygel	Attaching Clamp	
20	1	1134-0267-00	Underläggsbleck	Clamp Plate	
21	2	9997-0520-16	Skruv	Screw	
22	2	9739-0531-22	Mutter	Nut	
23	1	1134-3395-01	Fäste 24 (5-01)	Attachment	
24	2	9959-0820-16	Skruv	Screw	L = 20 mm
25	2	9739-0831-22	Mutter	Nut	
26	1	1134-2021-01	Växelwirefäste	Clamp	
29	1	1134-4042-01	ReglaVäxelm Kpl.	Control Lever	
30	1	9595-0258-00	Spännstift	Locating Pin	
31	1	1134-3996-01	Fäste	Bracket	
32	1	1134-4187-01	Dämpare	Damper	
33	2	9997-0840-16	Skruv	Screw	
34	2	1134-1565-09	Distans	Spacer	
35	2	9739-0831-22	Mutter	Nut	
36	1	1134-4017-01	Arm Kpl.	Lever, Cruise Control	
37	1	1134-1565-01	Distans	Spacer	
38	1	9997-0850-16	Skruv	Screw	
39	1	9699-0056-02	Bricka	Washer	
40	1	9739-0831-22	Mutter	Nut	
41	1	1134-4020-01	Plat Farth.	Plate-Cruise Control	
42	2	9959-0816-16	Skruv	Screw	
43	2	9739-0831-22	Mutter	Nut	
44	1	1134-4021-01	Stag Farth.	Rod-Cruise Control	
45	2	9675-0012-02	Starlock	Locking washer	
46	1	1134-2859-01	Magnet	Magneto	
47	1	1134-2858-01	Fjäder	Spring	
48	1	1134-5101-01	Bromsstang	Brake Rod	
49	1	1134-3808-01	Knopp	Knob	
50	1	1131-1497-01	Fjäder	Brake Spring	
51	1	1134-4002-01	Fäste	Brake Rod Attachment	



Utgåva Issue 20 - 2015		Park Fotreglage Park Foot Controls			
Pos. Fig.	Antal Q.ty	Art nr Part No	Benämning	Description	Anmärkning Notes
52	3	9838-9516-12	Skruv	Screw	
53	2	9747-0831-02	Mutter	Nut	
54	1	1134-3910-01	Vajerfäste 24	Cable Holder	
55	3	9959-0816-16	Skruv	Screw	L = 16 mm
56	3	9739-0831-22	Mutter	Nut	
57	1	1134-4944-01	Plat	Stop Plate	13-6221, 13-6231

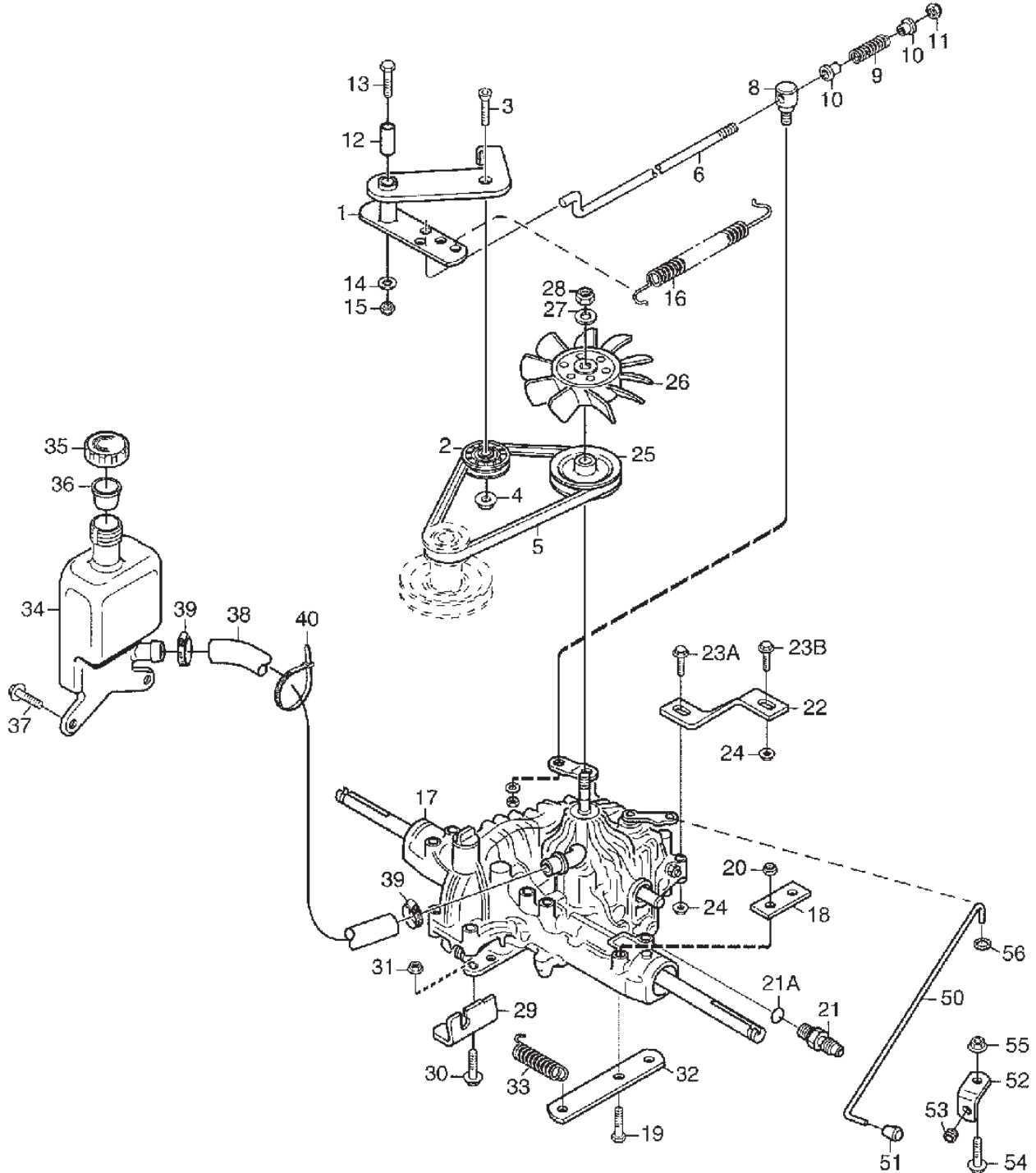


Utgåva Issue 20 - 2015					
Pos. Fig.	Antal Q.ty	Art nr Part No	Benämning	Description	Anmärkning Notes
1	1	1134-4958-01	Batterihylla	Battery Shelf	
2	4	9958-0820-16	Skruv	Screw	
3	4	9739-0831-22	Mutter	Nut	
4	3	1134-3203-01	Kabelgenomföring	Grommet	
5	1	1134-2962-01	Solenoid Kpl Service	Solenoid	Inkl. pos 7
6	2	9849-8006-16	Skruv	Screw	
7	2	9794-5131-02	Mutter	Nut	
8	1	1134-4961-01	Reläplat 5-01 F24	Relay Plate	
9	1	1134-3491-01	Säkringshallare	Fuse Holder	
10	2	9849-8006-16	Skruv	Screw	
11	1	1134-3496-01	Säkring 10A Röd	Fuse (10A)	10A
11	1	1134-3496-06	Säkring 20 Amp Gul	Fuse (20A)	20A
11	1	1134-3496-07	Säkring (30A Grön)	Fuse (30A)	30A
12	1	1134-3631-01	Lock (5-01)	Cover-Fuse Holder	
13	1	1134-4940-02	Batteri	Battery	
14	4	1134-2333-03	Batteriunderlägg	Battery Pad	
16	1	1134-4960-01	Batterihallare	Battery Holder	
17	2	9959-0830-16	Skruv	Screw	
18	2	9739-0831-22	Mutter	Nut	
19	1	1111-3060-01	Fjäder	Spring	
20	1	1134-4481-01	Vingmutter	Wing Nut	
21	2	9747-0831-02	Mutter	Nut	
23	1	1134-3399-01	Brytare	Switch	
24	2	9997-0520-16	Skruv	Screw	
25	2	9747-0531-02	Mutter	Nut	
26	1	1134-4172-01	Stralkastare	Headlamp	
26	1	9400-0293-01	Glödlampa	Bulb	12V - 21W
27	2	9849-7819-16	Skruv	Screw	
28	2	1134-4177-01	Clips	Clips	
29	1	1134-4056-01	Honkontakt Selv 12 V Dc 42-101-42	Female Terminal	
30	1	1134-4052-01	Bricka	Washer	
31	2	9840-7716-16	Skruv	Screw	
32	1	1134-4941-01	Batterikabel	Battery Cable	
33	2	1134-0994-02	Rörklammer	Tube Clamp	
34	2	9815-8013-16	Skruv	Screw	
36	20	9579-0003-00	Buntband	Cable Holder	
37	1	9632-0522-00	Popnit, 1661-0512 D4X9,5	Pop Rivet	
40	1	1134-4907-01	Kablage (Park Pro Diesel)	Harness (Park Pro Diesel)	
41	1	9400-0304-01	Summer	Buzzer	
42	2	9997-0512-16	Skruv	Screw	
43	1	1134-0994-02	Rörklammer	Tube Clamp	
44	1	9959-0612-16	Skruv	Screw	

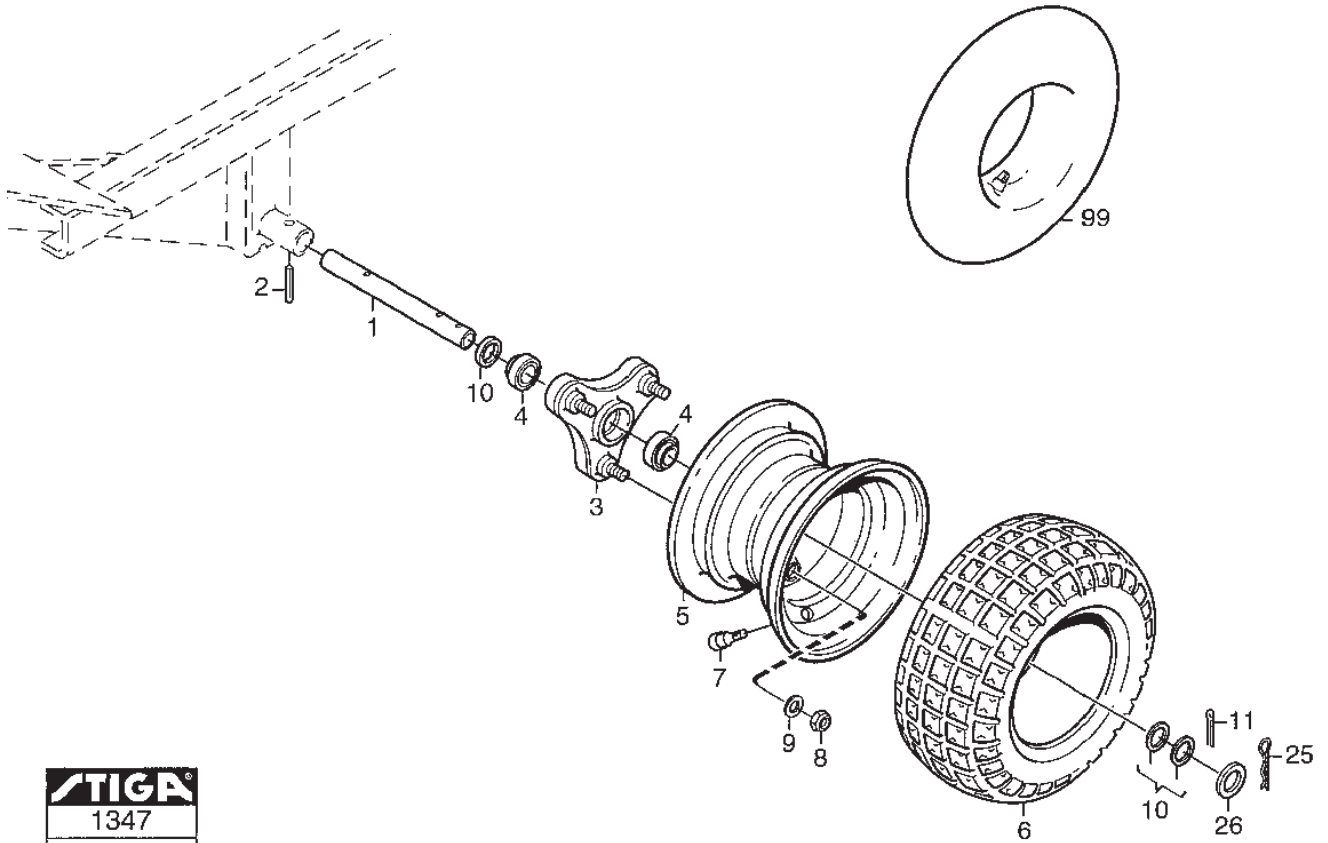
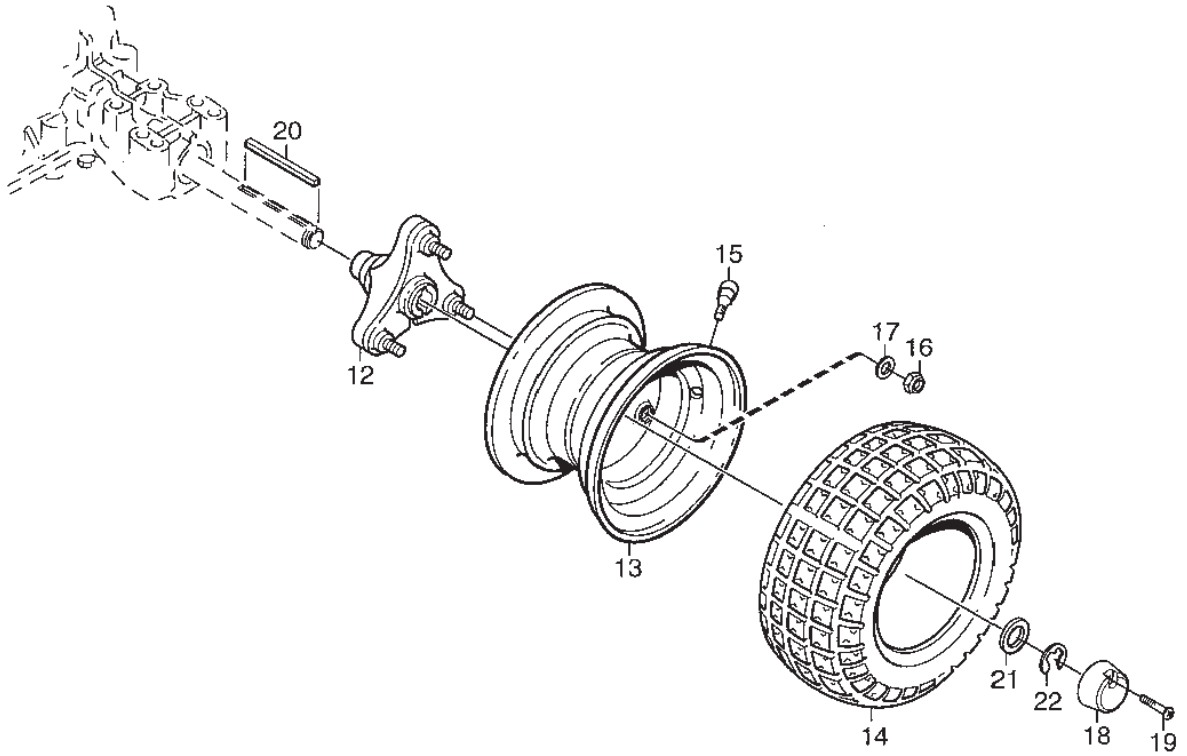




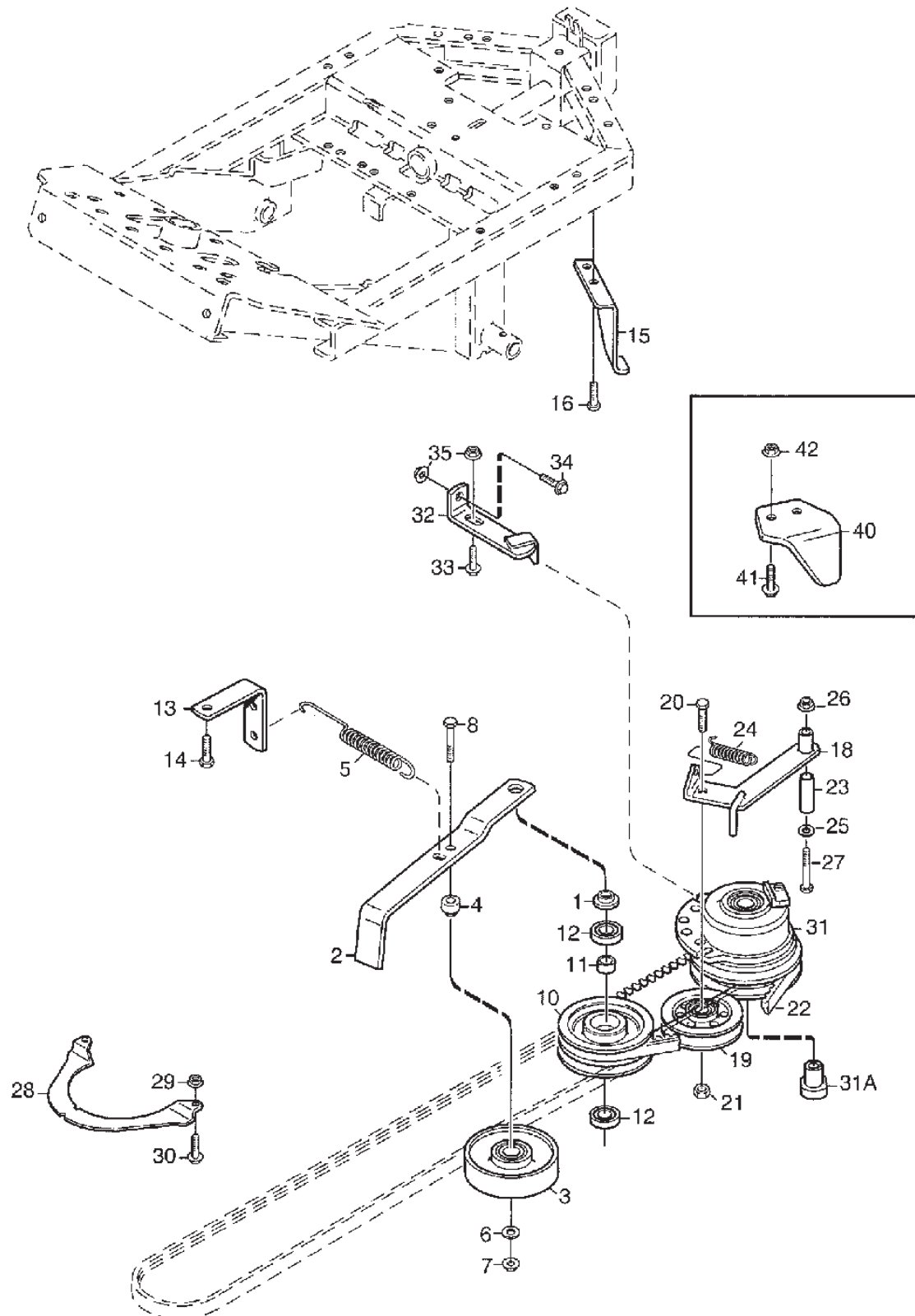
Utgåva Issue 20 - 2015					
Pos. Fig.	Antal Q.ty	Art nr Part No	Benämning	Description	Anmärkning Notes
1	1	1134-4222-04	Tätningarring	Seal Ring	
2	1	1134-4962-01	Fläktskydd	Fan Cover	
3	3	1134-4963-01	Distans	Spacer	
4	3	9948-0630-16	Skruv	Screw	
5	4	9997-1050-16	Skruv	Screw	
6	4	9739-1031-22	Mutter	Nut	
6	4	9747-1031-02	Mutter	Nut	
7	1	1134-5117-01	Avgasrör Kpl	Exhaust Pipe	
8	1	9578-0027-01	Rörklammer	Tube Clamp	
11	1	1134-4934-01	Banjo Kpl	Banjo	
12	1	1134-4977-01	Bricka	Washer	
13	1	1134-0995-01	Plugg	Plug	
14	1	1134-4968-01	Bricka	Washer	
15	1	1134-4932-01	Banjobult <	Banjo Bolt	
16	1	1134-3664-02	Remskiva	Belt Pulley	
17	1	9600-0251-00	Kil	Key	
18	1	9987-5357-12	Skruv	Screw	



Utgåva Issue 20 - 2015		Transmission		Transmission	
Pos. Fig.	Antal Q.ty	Art nr Part No	Benämning	Description	Anmärkning Notes
1	1	1134-4000-01	Spännarm	Tension Arm	
2	1	1134-3459-01	Spännrulle	Tension Roller	
3	1	9924-1035-16	Skruv	Screw	
4	1	9799-1031-02	Mutter	Nut	
5	1	1134-9029-01	Kilrem	V-Belt	= 9585-0055-00
6	1	1134-3377-03	Reglagestang	Control Rod	
8	1	1134-4171-01	Ledtapp	Pivot Pin	
9	1	1134-4183-01	Fjäder	Spring	
10	2	1134-3456-01	Bussning	Bushing	
11	1	9747-0631-02	Mutter	Nut	
12	1	1134-1565-08	Distans	Spacer	
13	1	9997-0875-12	Skruv	Screw	
14	1	9699-0056-02	Bricka	Washer	
15	1	9747-0831-02	Mutter	Nut	
16	1	1134-3211-02	Fjäder	Spring	
17	1	1134-4850-01	Transaxel (K66)	Transaxle (K66)	Kanzaki K66B
18	2	1134-3376-01	Distansplat	Spacer Plate	
19	4	9997-0875-12	Skruv	Screw	L = 75 mm
20	4	9747-0831-02	Mutter	Nut	
21	2	1134-4282-01	Hydraulnippel	Hydraulic Nipple	
21	1	9404-0028-01	O-Ring 11,89 X 1,98	O-ring	
22	1	1134-3913-01	Reaktionsstag 5-01 F24	Strut	
23	1	9959-0825-16	Skruv	Screw	L = 25 mm
23	1	9959-0820-16	Skruv	Screw	L = 20 mm
24	2	9747-0831-02	Mutter	Nut	
25	1	1134-4191-01	Remskiva	Belt Pulley	
26	1	1134-4190-01	Fläkt	Fan	
27	1	9699-0030-02	Bricka	Washer	
28	1	9747-1031-02	Mutter	Nut	
29	1	1134-3914-01	Vajerfäste 24	Cabel Holder	
30	1	9959-0820-16	Skruv	Screw	
31	1	9739-0831-22	Mutter	Nut	
32	1	1134-4049-01	Stag 24	Strut	
33	1	1134-4232-01	Fjäder	Spring	
34	1	1134-4758-01	Tank	Oil Tank	
35	1	1134-2777-02	Tanklock	Filler Cap	
36	1	1134-3734-01	Plugg (Service)	Vent Plug	
37	2	9945-0816-16	Skruv	Screw	
38	1	1134-4011-02	Slang (L380)	Oil Hose (L=380)	L = 380 mm
39	2	9578-0025-01	Slangklämma Dim 18-27 Gemi	Hose Clamp	
40	1	9579-0003-00	Buntband	Cable Holder	
50	1	1134-4015-01	Dragstang	Pull Rod	
51	1	1134-4014-01	Plastknopp	Knob	
52	1	1134-4713-01	Vinkelfäste	Angle Bracket	
53	1	1134-2790-01	Kabelgenomföring	Cable Protection	
54	1	9959-0816-16	Skruv	Screw	
55	1	9739-0831-22	Mutter	Nut	
56	1	9675-0009-02	Starlockbricka	Starlock	



Utgåva Issue 20 - 2015		Hjul Wheels			
Pos. Fig.	Antal Q.ty	Art nr Part No	Benämning	Description	Anmärkning Notes
1	2	1134-0075-01	Framaxeltapp	Front Axle	
2	2	9595-0258-00	Spännstift	Locating Pin	
3	2	1134-4844-01	Hjulnav	Wheel Hub	
4	2	9549-0054-01	Kullager	Ball Bearing	
5	2	1134-4558-01	Fälg	Rim	
6	2	9545-0124-01	Däck	Tyre	17 x 8.00 - 8
7	2	9545-0500-00	Ventil	Valve Assy.	
8	6	9747-1031-02	Mutter	Nut	
9	6	9699-0035-02	Bricka	Washer	
10	8	1134-0341-01	Bricka	Washer	
11	2	9599-0080-02	SaxSprint Sp 4*28	Cotter Pin	
12	2	1134-4844-03	Hjulnav Kpl	Wheel Hub Assy	
13	2	1134-4558-01	Fälg	Rim	
14	2	9545-0124-01	Däck	Tyre	17 x 8.00 - 8
15	2	9545-0500-00	Ventil	Valve Assy.	
16	6	9747-1031-02	Mutter	Nut	
17	6	9699-0035-02	Bricka	Washer	
18	2	1134-4796-01	Navkapsel	Hub Cap	
19	2	9947-0540-19	Skruv	Screw	
20	2	1134-3383-01	Kil	Key	
20	2	1134-3383-02	Kil	Key	L = 51 mm
20	2	1134-3383-01	Kil	Key	
21	2	9699-0116-02	Bricka	Washer	
22	2	9650-0025-04	Segersäkringsåkring Sga 25	Circlip	
22	2	9653-0002-04	Sparyttare	Lock Ring	
22	2	04/02/9653			
25	2	9598-0003-02	Spring Pin	Spring Pin	
26	2	9699-0042-02	Bricka	Washer	
99	1	9545-0203-00	Innerslang	Inner Tube	Reservdel/spare part
99	2	9545-0203-00	Innerslang	Inner Tube	Reservdel/spare part



Utgåva Issue 20 - 2015		Kraftuttag Power take-off			
Pos. Fig.	Antal Q.ty	Art nr Part No	Benämning	Description	Anmärkning Notes
1	1	1134-5548-01	Distans	Spacer	
2	1	1134-5109-01	Spännhjulsarm	Tension Wheel Arm	
3	1	1134-1770-01	Spännhjul Kpl	Tension Roller	
4	1	1134-1888-04	Distans	Spacer	
5	1	1134-5111-01	Fjäder	Spring	
6	1	9699-0056-02	Bricka	Washer	
7	1	9739-0831-22	Mutter	Nut	
8	1	9997-0855-12	Skruv	Screw	
10	1	1134-1769-02	Remskiva	Belt Pulley	
11	1	1134-0051-09	Distans	Spacer	
12	2	9549-0019-00	Kullager	Ball Bearing	
13	1	1134-5112-01	Fjäder	Spring	
14	2	9945-0816-16	Skruv	Screw	
15	1	1134-5110-01	Hake	Hook	
16	2	9893-0616-16	Skruv	Screw	
18	1	1134-3658-02	Spännarm Kpl 5-01	Tension Arm	
19	1	1134-3663-01	Remskiva	Tension Wheel	
20	1	9997-1040-12	Skruv	Screw	
21	1	9739-1031-22	Mutter	Nut	
22	1	1134-9047-01	Kilrem	V-Belt	= 9585-0088-00
23	1	1134-1565-10	Distans	Spacer	
24	1	1134-3379-01	Fjäder	Spring	
25	1	9699-0056-02	Bricka	Washer	
26	1	9739-0831-22	Mutter	Nut	
27	1	9997-0855-12	Skruv	Screw	
28	1	1134-3654-01	Fingerskydd 5-01 24	Guard	
29	2	9739-0631-22	Mutter	Nut	
30	2	9959-0612-16	Skruv	Screw	
31	1	1134-5016-01	Bussning	Bushing	
31	1	1134-3638-01	Magnetkoppling	Electric Pto-Clutch	
40	1	1134-4924-01	Momentstag 5-01 F24	Strut	
41	1	9997-1050-16	Skruv	Screw	
42	1	9739-1031-22	Mutter	Nut	

code	pos.	q.ty	page										
04/02/9653	22	2	p. 69	034 931 00	50	2	p. 21	041 551 01	6	1	p. 31		
009 214 00	16	4	p. 25	035 439 00	51	1	p. 13	041 615 02	4	1	p. 31		
013 308 01	36	1	p. 17	035 686 00	9	1	p. 3	041 615 02	7	1	p. 29		
013 313 00	3	2	p. 25	035 687 00	8	1	p. 3	041 618 00	56	1	p. 17		
013 313 00	28	2	p. 21	035 755 00	17	4	p. 25	041 652 00	43	1	p. 17		
013 364 00	6	1	p. 3	035 772 00	22	1	p. 25	041 686 00	6	1	p. 15		
013 435 00	9	1	p. 5	035 997 00	15	1	p. 9	041 745 00	42	2	p. 11		
013 445 03	1	1	p. 13	036 136 00	13	1	p. 21	041 895 00	53	1	p. 15		
013 446 00	7	1	p. 15	036 733 00	53	1	p. 21	041 994 00	32	1	p. 3		
013 453 00	13	1	p. 25	036 736 00	17	1	p. 21	042 020 00	4	1	p. 3		
013 459 01	16	1	p. 13	037 141 00	26	1	p. 29	042 021 00	3	1	p. 3		
013 460 00	11	1	p. 13	037 941 00	46	2	p. 15	042 058 00	1	1	p. 31		
013 467 00	15	1	p. 15	037 942 01	12	2	p. 15	050 232 00	54	1	p. 21		
013 474 00	28	1	p. 17	038 816 00	56	1	p. 21	050 369 00	26	2	p. 3		
013 476 00	14	1	p. 25	040 002 00	34	1	p. 13	050 399 00	21	1	p. 21		
013 492 01	1	1	p. 7	040 420 00	24	7	p. 25	050 547 00	19	2	p. 9		
013 505 01	16	1	p. 3	040 606 00	24	1	p. 25	050 567 00	65	1	p. 19		
013 641 00	27	1	p. 3	040 947 00	25	1	p. 15	050 705 00	34	1	p. 17		
013 652 00	18	1	p. 13	040 948 02	28	1	p. 15	050 706 01	5	1	p. 17		
013 720 00	1	1	p. 17	040 952 10	34	1	p. 15	050 785 02	48	1	p. 13		
013 726 00	1	1	p. 3	040 957 00	26	1	p. 15	050 786 00	14	1	p. 13		
013 732 00	6	1	p. 3	040 963 00	37	1	p. 17	050 793 01	32	1	p. 13		
013 735 00	5	1	p. 3	040 964 00	38	1	p. 17	050 796 02	46	8	p. 13		
013 740 00	7	2	p. 9	040 965 00	39	1	p. 17	050 798 00	22	1	p. 13		
013 747 00	5	1	p. 5	040 966 00	40	1	p. 17	050 815 00	7	1	p. 17		
013 748 00	1	1	p. 5	040 967 00	41	1	p. 17	050 842 01	60	1	p. 19		
015 346 00	47	1	p. 21	040 977 10	59	1	p. 19	050 843 00	7	1	p. 3		
015 427 02	34	1	p. 3	040 984 00	29	2	p. 25	050 853 00	58	1	p. 23		
015 480 00	3	1	p. 31	040 991 00	4	1	p. 29	050 893 00	64	1	p. 19		
015 483 00	2	1	p. 31	040 995 00	37	1	p. 25	050 952 10	29	1	p. 15		
015 570 00	38	4	p. 21	041 005 00	11	2	p. 5	050 961 01	4	1	p. 17		
015 961 02	1	1	p. 9	041 065 00	43	2	p. 11	050 971 00	7	1	p. 13		
016 131 00	19	1	p. 3	041 121 00	10	1	p. 7	050 973 00	10	1	p. 13		
016 203 01	3	1	p. 21	041 122 00	11	1	p. 7	050 993 00	21	4	p. 9		
016 290 00	19	1	p. 27	041 123 00	12	1	p. 7	051 007 01	18	1	p. 29		
016 374 00	1	1	p. 27	041 177 01	30	1	p. 9	051 029 00	2	1	p. 3		
016 485 00	4	1	p. 21	041 191 00	25	4	p. 25	051 098 10	32	4	p. 21		
016 558 00	33	2	p. 21	041 217 00	9	1	p. 7	051 100 10	29	10	p. 21		
016 630 00	19	1	p. 29	041 250 00	20	1	p. 3	051 176 10	18	1	p. 9		
016 670 00	1	1	p. 31	041 251 00	13	1	p. 7	051 177 00	7	1	p. 9		
016 694 00	32	1	p. 25	041 252 00	14	1	p. 7	051 227 01	57	1	p. 21		
016 792 00	1	1	p. 33	041 261 00	31	2	p. 9	051 265 00	11	1	p. 21		
016 795 00	4	1	p. 33	041 338 00	30	3	p. 3	051 271 00	49	1	p. 15		
016 796 00	8	1	p. 5	041 339 00	27	1	p. 15	051 290 00	55	1	p. 17		
016 798 00	12	1	p. 5	041 361 00	11	1	p. 3	051 296 10	6	1	p. 21		
016 806 00	2	1	p. 17	041 390 00	28	4	p. 25	051 300 00	3	1	p. 33		
016 808 00	35	1	p. 17	041 415 00	22	1	p. 3	051 301 00	4	1	p. 33		
016 833 00	36	1	p. 25	041 416 00	4	1	p. 3	051 304 00	5	2	p. 21		
016 840 10	16	1	p. 21	041 442 00	6	1	p. 25	051 308 00	21	1	p. 13		
016 927 00	13	1	p. 5	041 442 00	15	1	p. 25	051 309 00	20	1	p. 13		
016 958 00	17	1	p. 27	041 444 01	15	1	p. 3	051 409 00	38	1	p. 25		
017 042 00	1	1	p. 3	041 460 00	48	1	p. 15	051 451 00	9	1	p. 9		
017 043 00	1	1	p. 15	041 466 00	47	1	p. 15	051 452 00	10	1	p. 9		
017 103 01	2	1	p. 33	041 468 00	15	1	p. 27	051 456 00	18	1	p. 21		
017 104 00	3	1	p. 33	041 468 00	18	1	p. 25	051 465 01	24	1	p. 9		
017 138 00	54	1	p. 15	041 469 00	13	2	p. 9	051 467 00	20	2	p. 9		
017 225 01	8	1	p. 7	041 470 00	14	2	p. 9	051 482 00	37	2	p. 3		
017 374 00	1	1	p. 25	041 471 00	12	2	p. 9	051 499 00	16	2	p. 27		
017 384 00	1	1	p. 21	041 473 00	3	1	p. 5	051 521 00	3	1	p. 25		
017 385 00	1	1	p. 25	041 484 00	6	1	p. 13	051 564 01	23	1	p. 9		
017 425 01	21	1	p. 27	041 488 00	8	2	p. 15	051 580 00	10	1	p. 27		
017 430 00	9	1	p. 27	041 508 00	14	1	p. 27	051 582 00	19	1	p. 21		
017 760 00	17	2	p. 9	041 508 00	19	1	p. 25	051 588 02	33	1	p. 9		
017 817 00	1	1	p. 5	041 511 00	8	1	p. 29	051 589 02	34	1	p. 9		
031 454 00	4	1	p. 25	041 527 01	23	1	p. 15	051 590 02	35	1	p. 9		
032 929 00	21	1	p. 9	041 528 00	22	1	p. 15	051 591 02	36	1	p. 9		
				041 534 00	12	1	p. 13	051 592 02	37	1	p. 9		



code	pos.	q.ty	page									
051 593 02	38	1	p. 9	501 432 00	31	6	p. 3	503 131 00	14	1	p. 21	
051 594 02	39	1	p. 11	501 444 00	8	2	p. 25	503 239 00	63	1	p. 19	
051 595 02	40	1	p. 11	501 444 00	10	7	p. 25	503 273 00	3	6	p. 31	
051 596 00	5	2	p. 9	501 444 00	21	2	p. 29	503 283 00	16	1	p. 9	
051 597 00	6	2	p. 9	501 444 00	31	1	p. 15	503 283 00	27	2	p. 25	
051 628 00	49	1	p. 21	501 444 00	33	1	p. 25	503 301 00	58	1	p. 17	
051 632 01	2	1	p. 33	501 444 00	40	3	p. 21	503 348 00	8	1	p. 25	
051 662 00	4	1	p. 27	501 444 00	53	1	p. 13	503 424 00	12	1	p. 9	
051 677 00	3	1	p. 27	501 445 00	3	3	p. 29	503 426 00	1	1	p. 33	
051 701 10	36	1	p. 21	501 445 00	23	2	p. 25	503 426 00	1	1	p. 33	
051 784 00	40	1	p. 13	501 481 00	13	1	p. 9	503 467 00	52	1	p. 15	
051 785 00	44	1	p. 13	501 481 00	17	6	p. 29	503 584 00	61	3	p. 23	
051 788 10	39	2	p. 13	501 481 00	31	2	p. 21	503 618 00	59	2	p. 15	
051 808 00	49	1	p. 17	501 491 00	43	4	p. 21	503 731 00	38	1	p. 15	
051 809 00	48	1	p. 17	501 584 00	26	1	p. 21	503 749 00	29	3	p. 9	
051 810 00	47	1	p. 17	501 584 00	50	1	p. 13	503 808 00	20	1	p. 9	
051 811 00	51	1	p. 17	501 629 00	36	2	p. 15	503 929 00	28	1	p. 29	
051 829 12	20	1	p. 29	501 638 01	11	4	p. 25	503 929 00	45	1	p. 15	
051 840 00	30	1	p. 25	501 654 00	16	2	p. 29	503 966 00	22	4	p. 9	
051 882 00	15	1	p. 21	501 707 00	35	1	p. 25	503 998 01	10	2	p. 21	
051 886 00	26	2	p. 25	501 707 00	38	1	p. 3	504 023 00	1	2	p. 29	
051 896 00	14	1	p. 9	501 707 00	49	1	p. 13	504 040 00	4	3	p. 27	
052 097 00	3	2	p. 9	501 707 00	60	1	p. 23	504 224 00	17	2	p. 13	
052 196 00	5	1	p. 25	501 709 00	2	4	p. 29	504 225 00	18	2	p. 27	
052 202 00	52	1	p. 17	501 709 00	9	2	p. 25	504 225 00	24	1	p. 15	
052 270 00	7	1	p. 25	501 709 00	11	8	p. 25	504 227 00	45	1	p. 13	
052 301 00	23	1	p. 21	501 709 00	20	1	p. 27	504 239 00	19	1	p. 9	
052 368 00	8	1	p. 27	501 709 00	34	2	p. 25	504 257 00	15	2	p. 9	
052 375 00	9	1	p. 21	501 709 00	39	2	p. 21	504 258 00	11	2	p. 9	
052 383 00	12	1	p. 21	501 709 00	42	5	p. 21	504 271 00	5	1	p. 9	
052 385 00	8	1	p. 21	501 709 00	52	1	p. 13	504 271 00	13	4	p. 29	
400 026 00	5	4	p. 3	501 715 00	6	3	p. 27	504 294 00	9	4	p. 13	
400 026 00	13	2	p. 13	501 771 00	16	1	p. 27	504 348 00	15	2	p. 13	
400 220 00	17	2	p. 3	501 775 00	44	2	p. 15	504 349 01	3	1	p. 13	
400 223 00	10	1	p. 3	502 056 00	5	1	p. 31	504 358 00	12	1	p. 27	
400 224 01	35	1	p. 13	502 085 00	17	1	p. 9	504 364 00	8	1	p. 17	
400 284 00	30	2	p. 21	502 163 00	6	2	p. 9	504 365 00	9	1	p. 17	
400 286 00	32	2	p. 9	502 163 00	28	2	p. 3	504 366 00	10	1	p. 17	
400 894 01	22	1	p. 21	502 163 00	42	1	p. 13	504 367 00	11	1	p. 17	
500 014 00	61	2	p. 15	502 230 01	1	1	p. 33	504 368 00	12	1	p. 17	
500 034 00	2	6	p. 31	502 230 01	1	1	p. 33	504 369 00	13	1	p. 17	
500 218 00	5	1	p. 5	502 231 00	1	1	p. 33	504 370 00	14	1	p. 17	
500 232 00	23	1	p. 29	502 231 00	1	1	p. 33	504 371 00	15	1	p. 17	
500 250 00	11	2	p. 9	502 232 00	1	1	p. 33	504 372 00	16	1	p. 17	
500 254 00	24	1	p. 29	502 232 00	1	1	p. 33	504 373 00	17	1	p. 17	
500 264 00	31	1	p. 25	502 233 00	1	1	p. 33	504 374 00	18	1	p. 17	
500 442 00	62	2	p. 15	502 233 00	1	1	p. 33	504 375 00	19	1	p. 17	
500 588 00	57	1	p. 15	502 234 00	1	1	p. 33	504 376 00	20	1	p. 17	
500 597 01	60	2	p. 15	502 234 00	1	1	p. 33	504 377 00	21	1	p. 17	
500 812 00	15	5	p. 29	502 234 00	1	1	p. 33	504 378 00	22	1	p. 17	
500 812 00	28	3	p. 9	502 238 00	1	1	p. 33	504 378 00	22	1	p. 17	
500 819 00	12	4	p. 29	502 238 00	1	1	p. 33	504 379 00	23	1	p. 17	
500 927 00	31	4	p. 13	502 239 00	1	1	p. 33	504 380 00	24	1	p. 17	
500 943 00	8	1	p. 9	502 239 00	1	1	p. 33	504 381 00	25	1	p. 17	
500 951 00	5	3	p. 27	502 239 00	1	1	p. 33	504 382 00	26	1	p. 17	
500 951 00	27	1	p. 29	502 319 00	37	2	p. 21	504 383 00	27	1	p. 17	
500 951 00	42	11	p. 15	502 366 00	14	5	p. 29	504 395 00	22	3	p. 29	
501 108 00	54	2	p. 17	502 491 01	9	1	p. 3	504 403 00	8	1	p. 3	
501 143 00	15	1	p. 27	502 565 01	1	1	p. 33	504 406 00	20	1	p. 21	
501 143 00	17	1	p. 27	502 565 01	1	1	p. 33	504 408 00	7	3	p. 21	
501 143 00	22	2	p. 25	502 566 00	1	1	p. 33	504 408 00	7	3	p. 21	
501 200 00	12	3	p. 25	502 566 00	1	1	p. 33	504 411 00	48	2	p. 21	
501 200 00	25	2	p. 29	502 624 00	51	1	p. 15	504 416 00	10	4	p. 25	
501 200 00	27	4	p. 21	502 745 00	33	1	p. 3	504 451 00	16	4	p. 9	
501 200 00	41	4	p. 21	502 825 01	1	1	p. 33	504 454 00	9	4	p. 25	
501 258 00	19	1	p. 13	502 825 01	1	1	p. 33	504 479 00	8	1	p. 13	
				502 830 03	1	1	p. 33	504 522 00	13	1	p. 27	
				502 830 03	1	1	p. 33	504 533 00	4	1	p. 25	
				502 888 00	43	8	p. 15	504 533 00	46	1	p. 21	

code	pos.	q.ty	page												
504 543 00	8	1	p. 27	1134-1565-06	36	1	p. 53	1134-3943-01	5	1	p. 43				
504 568 00	13	1	p. 3	1134-1565-08	12	1	p. 67	1134-3943-02	6	1	p. 43				
504 581 00	21	2	p. 25	1134-1565-08	37	2	p. 51	1134-3963-02	2	1	p. 47				
504 591 00	37	1	p. 15	1134-1565-09	34	2	p. 59	1134-3968-02	11	1	p. 47				
504 596 00	51	1	p. 21	1134-1565-10	23	1	p. 71	1134-3970-02	39	1	p. 43				
504 630 00	35	2	p. 15	1134-1769-02	10	1	p. 71	1134-3970-05	38	1	p. 43				
504 644 01	23	2	p. 25	1134-1770-01	3	1	p. 71	1134-3971-01	2	1	p. 43				
504 645 00	53	1	p. 17	1134-1888-04	4	1	p. 71	1134-3974-01	7	1	p. 59				
504 653 00	23	2	p. 13	1134-2021-01	26	1	p. 59	1134-3979-01	22	1	p. 43				
504 691 00	9	1	p. 31	1134-2171-01	5	1	p. 47	1134-3981-04	38	1	p. 57				
504 699 00	13	2	p. 15	1134-2333-03	14	4	p. 63	1134-3984-01	18	1	p. 43				
504 742 00	14	1	p. 27	1134-2551-01	30	1	p. 57	1134-3985-01	36	1	p. 43				
504 742 00	33	1	p. 15	1134-2609-01	8	2	p. 41	1134-3986-01	27	1	p. 57				
504 757 00	38	1	p. 13	1134-2684-01	2	2	p. 49	1134-3990-01	29	1	p. 51				
504 759 01	24	1	p. 3	1134-2700-01	10	2	p. 59	1134-3996-01	31	1	p. 59				
504 759 01	36	1	p. 3	1134-2766-04	16	1	p. 59	1134-4000-01	1	1	p. 67				
504 760 00	57	1	p. 17	1134-2777-02	35	1	p. 67	1134-4002-01	51	1	p. 59				
504 769 00	45	1	p. 17	1134-2780-01	9	2	p. 59	1134-4003-01	13	1	p. 41				
504 789 00	29	1	p. 3	1134-2790-01	53	1	p. 67	1134-4006-01	33	1	p. 57				
504 790 00	14	1	p. 3	1134-2816-01	10	4	p. 53	1134-4008-01	8	1	p. 59				
504 793 01	6	1	p. 5	1134-2820-02	2	3	p. 53	1134-4011-02	38	1	p. 67				
504 795 00	56	1	p. 15	1134-2820-04	3	1	p. 53	1134-4012-03	32	1	p. 43				
504 814 00	4	1	p. 5	1134-2820-06	1	1	p. 53	1134-4012-04	33	1	p. 43				
504 823 00	3	2	p. 5	1134-2824-01	6	10	p. 53	1134-4014-01	51	1	p. 67				
504 831 00	10	2	p. 9	1134-2858-01	47	1	p. 59	1134-4015-01	50	1	p. 67				
504 841 00	7	1	p. 27	1134-2859-01	46	1	p. 59	1134-4017-01	36	1	p. 59				
504 846 00	9	1	p. 9	1134-2871-01	35	1	p. 57	1134-4020-01	41	1	p. 59				
504 851 00	1	1	p. 33	1134-2871-03	34	1	p. 57	1134-4021-01	44	1	p. 59				
504 851 00	1	1	p. 33	1134-2962-01	5	1	p. 63	1134-4042-01	29	1	p. 59				
504 856 00	14	1	p. 15	1134-3022-01	18	2	p. 53	1134-4049-01	32	1	p. 67				
504 892 00	50	1	p. 17	1134-3156-01	28	1	p. 51	1134-4052-01	30	1	p. 63				
504 922 00	43	1	p. 13	1134-3203-01	4	3	p. 63	1134-4056-01	29	1	p. 63				
504 923 00	41	1	p. 13	1134-3211-02	16	1	p. 67	1134-4065-01	5	1	p. 57				
504 950 00	16	1	p. 25	1134-3376-01	18	2	p. 67	1134-4069-01	29	1	p. 57				
504 951 00	9	1	p. 29	1134-3377-03	6	1	p. 67	1134-4073-01	31	1	p. 57				
504 993 00	30	1	p. 15	1134-3379-01	24	1	p. 71	1134-4077-01	9	1	p. 57				
504 994 00	32	1	p. 15	1134-3383-01	20	2	p. 69	1134-4078-01	10	1	p. 57				
505 012 00	32	1	p. 17	1134-3383-01	20	2	p. 69	1134-4079-01	6	1	p. 57				
505 025 00	7	6	p. 31	1134-3383-02	20	2	p. 69	1134-4080-03	7	1	p. 57				
505 028 01	58	1	p. 15	1134-3395-01	23	1	p. 59	1134-4082-03	16	2	p. 51				
505 031 00	41	2	p. 11	1134-3399-01	23	1	p. 63	1134-4083-01	9	2	p. 51				
505 131 00	18	2	p. 9	1134-3456-01	10	2	p. 67	1134-4084-01	14	4	p. 51				
505 210 00	55	1	p. 21	1134-3459-01	2	1	p. 67	1134-4085-01	7	1	p. 51				
505 246 00	5	1	p. 29	1134-3491-01	9	1	p. 63	1134-4087-01	27	1	p. 53				
505 281 00	12	3	p. 25	1134-3496-01	11	1	p. 63	1134-4109-01	13	1	p. 49				
1111-2453-01	44	4	p. 47	1134-3496-06	11	1	p. 63	1134-4113-01	24	1	p. 53				
1111-3060-01	19	1	p. 63	1134-3496-07	11	1	p. 63	1134-4114-01	28	1	p. 53				
1131-1497-01	50	1	p. 59	1134-3547-01	16	3	p. 53	1134-4117-01	1	1	p. 49				
1134-0031-00	3	1	p. 47	1134-3550-01	4	2	p. 53	1134-4118-01	29	1	p. 53				
1134-0041-01	17	2	p. 53	1134-3565-01	5	4	p. 53	1134-4120-03	21	1	p. 53				
1134-0041-02	11	4	p. 53	1134-3584-02	3	1	p. 59	1134-4130-01	32	1	p. 51				
1134-0041-03	49	2	p. 47	1134-3631-01	12	1	p. 63	1134-4135-01	34	1	p. 51				
1134-0041-06	49	2	p. 47	1134-3638-01	31	1	p. 71	1134-4142-01	26	1	p. 51				
1134-0051-09	11	1	p. 71	1134-3654-01	28	1	p. 71	1134-4144-01	8	1	p. 51				
1134-0075-01	1	2	p. 69	1134-3658-02	18	1	p. 71	1134-4152-01	26	1	p. 43				
1134-0225-00	11	2	p. 43	1134-3663-01	19	1	p. 71	1134-4153-01	19	1	p. 51				
1134-0240-00	10	2	p. 51	1134-3664-02	16	1	p. 65	1134-4154-01	40	1	p. 57				
1134-0240-00	11	1	p. 57	1134-3734-01	36	1	p. 67	1134-4156-01	1	1	p. 57				
1134-0240-00	24	2	p. 51	1134-3752-01	34	1	p. 53	1134-4159-01	20	1	p. 51				
1134-0266-00	19	1	p. 59	1134-3769-01	33	1	p. 53	1134-4160-01	18	2	p. 51				
1134-0267-00	20	1	p. 59	1134-3771-58	30	1	p. 41	1134-4171-01	8	1	p. 67				
1134-0341-01	10	8	p. 69	1134-3771-69	30	1	p. 41	1134-4172-01	26	1	p. 63				
1134-0994-02	33	2	p. 63	1134-3808-01	49	1	p. 59	1134-4176-01	8	2	p. 43				
1134-0994-02	43	1	p. 63	1134-3817-01	7	2	p. 53	1134-4176-01	16	2	p. 43				
1134-0995-01	13	1	p. 65	1134-3910-01	54	1	p. 61	1134-4176-01	52	2	p. 45				
1134-1565-01	37	1	p. 59	1134-3913-01	22	1	p. 67	1134-4177-01	28	2	p. 63				
				1134-3914-01	29	1	p. 67	1134-4179-02	55	1	p. 57				

code	pos.	q.ty	page																	
1134-4183-01	9	1	p. 67	1134-4947-01	30	1	p. 49	1139-1148-01	113	1	p. 37									
1134-4185-01	6	2	p. 41	1134-4948-01	23	1	p. 49	1139-1153-01	154	1	p. 39									
1134-4187-01	32	1	p. 59	1134-4948-01	28	1	p. 49	1139-1154-01	136	1	p. 39									
1134-4190-01	26	1	p. 67	1134-4958-01	1	1	p. 63	1139-1155-01	77	2	p. 37									
1134-4191-01	25	1	p. 67	1134-4960-01	16	1	p. 63	1139-1156-01	79	2	p. 37									
1134-4213-01	23	1	p. 51	1134-4961-01	8	1	p. 63	1139-1158-01	21	1	p. 35									
1134-4216-01	17	1	p. 43	1134-4962-01	2	1	p. 65	1139-1160-01	31	1	p. 35									
1134-4220-02	14	1	p. 43	1134-4963-01	3	3	p. 65	1139-1161-01	46	1	p. 35									
1134-4222-04	1	1	p. 65	1134-4968-01	14	1	p. 65	1139-1165-01	59	1	p. 35									
1134-4224-01	2	1	p. 51	1134-4977-01	12	1	p. 65	1139-1166-01	131	2	p. 39									
1134-4225-01	3	1	p. 51	1134-4982-02	46	1	p. 53	1139-1168-01	112	2	p. 37									
1134-4229-01	49	1	p. 53	1134-5016-01	31	1	p. 71	1139-1169-01	4	1	p. 35									
1134-4232-01	33	1	p. 67	1134-5028-01	14	1	p. 49	1139-1170-01	28	1	p. 35									
1134-4242-01	12	2	p. 57	1134-5094-01	3	4	p. 51	1139-1171-01	6	1	p. 35									
1134-4247-01	1	1	p. 59	1134-5095-01	3	6	p. 51	1139-1172-01	8	1	p. 35									
1134-4249-04	0	1	p. 41	1134-5096-01	3	6	p. 51	1139-1178-01	18	1	p. 35									
1134-4282-01	21	2	p. 67	1134-5098-01	48	1	p. 53	1139-1179-01	10	1	p. 35									
1134-4282-01	44	2	p. 53	1134-5099-01	50	1	p. 53	1139-1182-01	32	1	p. 35									
1134-4360-01	21	1	p. 43	1134-5100-01	51	2	p. 55	1139-1183-01	34	1	p. 35									
1134-4481-01	20	1	p. 63	1134-5101-01	48	1	p. 59	1139-1186-01	105	1	p. 37									
1134-4481-02	56	1	p. 55	1134-5109-01	2	1	p. 71	1139-1187-01	39	1	p. 35									
1134-4487-02	25	1	p. 57	1134-5110-01	15	1	p. 71	1139-1188-01	44	1	p. 35									
1134-4558-01	5	2	p. 69	1134-5111-01	5	1	p. 71	1139-1189-01	45	1	p. 35									
1134-4558-01	13	2	p. 69	1134-5112-01	13	1	p. 71	1139-1190-01	61	1	p. 35									
1134-4593-08	99	1	p. 45	1134-5115-01	19	1	p. 47	1139-1191-01	60	1	p. 35									
1134-4713-01	52	1	p. 67	1134-5117-01	7	1	p. 65	1139-1192-01	69	1	p. 37									
1134-4758-01	34	1	p. 67	1134-5120-01	13	1	p. 49	1139-1193-01	70	2	p. 37									
1134-4796-01	18	2	p. 69	1134-5162-01	42	1	p. 53	1139-1194-01	82	2	p. 37									
1134-4798-01	30	1	p. 43	1134-5173-02	32	1	p. 53	1139-1195-01	87	1	p. 37									
1134-4799-02	41	1	p. 43	1134-5177-01	54	1	p. 55	1139-1196-01	88	1	p. 37									
1134-4800-01	49	1	p. 45	1134-5216-01	53	1	p. 55	1139-1197-01	91	1	p. 37									
1134-4801-01	50	1	p. 45	1134-5239-01	13	1	p. 49	1139-1198-01	89	1	p. 37									
1134-4809-01	5	1	p. 49	1134-5240-01	13	1	p. 49	1139-1199-01	92	1	p. 37									
1134-4812-01	3	1	p. 49	1134-5241-01	13	2	p. 49	1139-1200-01	90	1	p. 37									
1134-4815-01	6	1	p. 49	1134-5242-01	13	1	p. 49	1139-1201-01	66	1	p. 35									
1134-4816-01	9	1	p. 49	1134-5294-01	16	1	p. 47	1139-1203-01	67	2	p. 35									
1134-4817-01	11	1	p. 49	1134-5315-01	1	1	p. 47	1139-1204-01	117	2	p. 37									
1134-4819-02	21	1	p. 49	1134-5514-01	17	1	p. 47	1139-1205-01	118	1	p. 37									
1134-4820-01	26	1	p. 49	1134-5548-01	1	1	p. 71	1139-1206-01	71	1	p. 37									
1134-4824-01	22	1	p. 49	1134-9024-01	2	1	p. 59	1139-1208-01	68	1	p. 35									
1134-4824-01	27	1	p. 49	1134-9028-01	43	1	p. 43	1139-1209-01	72	1	p. 37									
1134-4825-01	29	1	p. 49	1134-9029-01	5	1	p. 67	1139-1212-01	5	1	p. 35									
1134-4826-01	24	1	p. 49	1134-9047-01	22	1	p. 71	1139-1213-01	80	1	p. 37									
1134-4844-01	3	2	p. 69	1139-0244-01	17	12	p. 35	1139-1214-01	25	1	p. 35									
1134-4844-03	12	2	p. 69	1139-1005-01	29	1	p. 35	1139-1215-01	35	1	p. 35									
1134-4850-01	17	1	p. 67	1139-1006-01	7	5	p. 35	1139-1217-01	121	1	p. 37									
1134-4907-01	40	1	p. 63	1139-1018-01	107	1	p. 37	1139-1219-01	123	1	p. 37									
1134-4908-01	42	1	p. 57	1139-1021-01	26	4	p. 35	1139-1220-01	124	1	p. 37									
1134-4909-01	11	2	p. 41	1139-1022-01	38	2	p. 35	1139-1221-01	125	1	p. 37									
1134-4913-01	8	1	p. 47	1139-1024-01	40	1	p. 35	1139-1222-01	126	1	p. 37									
1134-4915-01	47	4	p. 47	1139-1026-01	42	1	p. 35	1139-1223-01	127	8	p. 37									
1134-4916-01	40	1	p. 47	1139-1044-01	81	2	p. 37	1139-1224-01	128	1	p. 39									
1134-4918-01	41	1	p. 47	1139-1057-01	9	1	p. 35	1139-1225-01	76	1	p. 37									
1134-4919-01	45	4	p. 47	1139-1102-01	62	1	p. 35	1139-1226-01	78	1	p. 37									
1134-4920-01	48	4	p. 47	1139-1104-01	12	1	p. 35	1139-1227-01	85	1	p. 37									
1134-4923-01	15	1	p. 57	1139-1110-01	27	1	p. 35	1139-1228-01	86	1	p. 37									
1134-4924-01	40	1	p. 71	1139-1114-01	93	1	p. 37	1139-1230-01	103	1	p. 37									
1134-4925-01	3	1	p. 43	1139-1115-01	63	2	p. 35	1139-1234-01	138	1	p. 39									
1134-4927-01	4	1	p. 59	1139-1116-01	13	2	p. 35	1139-1235-01	111	2	p. 37									
1134-4929-01	1	1	p. 43	1139-1117-01	20	2	p. 35	1139-1277-01	11	2	p. 35									
1134-4932-01	15	1	p. 65	1139-1119-01	14	1	p. 35	1139-1278-01	100	2	p. 37									
1134-4934-01	11	1	p. 65	1139-1124-01	15	1	p. 35	1139-1280-01	47	1	p. 35									
1134-4940-02	13	1	p. 63	1139-1127-01	64	1	p. 35	1139-1285-01	54	1	p. 35									
1134-4941-01	32	1	p. 63	1139-1139-01	24	2	p. 35	1139-1287-01	36	1	p. 35									
1134-4944-01	57	1	p. 61	1139-1144-01	153	1	p. 39	1139-1289-01	129	2	p. 39									
1134-4947-01	25	2	p. 49	1139-1145-01	41	1	p. 35	1139-1290-01	104	1	p. 37									
				1139-1146-01	119	1	p. 37	1139-1291-01	115	2	p. 37									

code	pos.	q.ty	page											
1139-1292-01	16	2	p. 35	9600-0251-00	17	1	p. 65	9739-0831-22	35	2	p. 43			
1139-1293-01	23	3	p. 35	9632-0513-00	47	1	p. 43	9739-0831-22	35	2	p. 59			
1139-1330-01	80	1	p. 37	9632-0513-00	54	2	p. 45	9739-0831-22	40	1	p. 59			
1139-1331-01	126	1	p. 37	9632-0516-00	44	1	p. 43	9739-0831-22	43	2	p. 59			
1139-1332-01	76	1	p. 37	9632-0522-00	35	2	p. 51	9739-0831-22	55	1	p. 67			
1139-1333-01	78	1	p. 37	9650-0025-04	37	1	p. 63	9739-0831-22	56	3	p. 61			
1139-1347-01	43	1	p. 35	9653-0002-04	22	2	p. 69	9739-1031-22	6	4	p. 65			
1139-1349-01	122	1	p. 37	9665-0002-00	22	2	p. 69	9739-1031-22	15	4	p. 53			
1139-1350-01	114	2	p. 37	9675-0008-02	12	2	p. 51	9739-1031-22	20	2	p. 53			
1139-1357-01	109	1	p. 37	9675-0009-02	4	7	p. 43	9739-1031-22	21	1	p. 71			
8211-0209-10	31	1	p. 41	9675-0012-02	56	1	p. 67	9739-1031-22	42	1	p. 71			
8211-0209-11	31	1	p. 41	9675-0012-02	45	2	p. 59	9739-1031-22	46	4	p. 47			
8211-0315-02	31	1	p. 41	9694-0001-00	13	1	p. 57	9747-0531-02	25	2	p. 43			
8211-0315-03	31	1	p. 41	9695-0011-00	31	1	p. 53	9747-0531-02	25	2	p. 63			
8211-0322-01	31	1	p. 41	9699-0025-02	7	2	p. 49	9747-0631-02	10	2	p. 43			
8211-0325-02	31	1	p. 41	9699-0025-02	9	2	p. 43	9747-0631-02	11	1	p. 67			
8211-2002-03	31	1	p. 41	9699-0025-02	56	1	p. 57	9747-0631-02	57	2	p. 45			
8290-9014-01	2	1	p. 51	9699-0030-02	27	1	p. 67	9747-0631-02	61	1	p. 45			
9400-0280-01	51	1	p. 57	9699-0030-02	43	4	p. 47	9747-0831-02	6	6	p. 51			
9400-0280-02	49	1	p. 57	9699-0030-02	51	2	p. 47	9747-0831-02	9	2	p. 53			
9400-0280-03	50	1	p. 57	9699-0035-02	9	6	p. 69	9747-0831-02	13	2	p. 51			
9400-0280-04	52	1	p. 57	9699-0035-02	12	4	p. 53	9747-0831-02	15	1	p. 67			
9400-0280-05	54	1	p. 57	9699-0035-02	13	2	p. 47	9747-0831-02	20	4	p. 67			
9400-0280-06	59	1	p. 57	9699-0035-02	17	6	p. 69	9747-0831-02	21	2	p. 63			
9400-0282-01	48	4	p. 57	9699-0042-02	26	2	p. 69	9747-0831-02	24	2	p. 67			
9400-0283-01	53	1	p. 57	9699-0056-02	6	1	p. 71	9747-0831-02	38	1	p. 53			
9400-0290-01	99	1	p. 57	9699-0056-02	13	4	p. 43	9747-0831-02	53	2	p. 61			
9400-0293-01	26	1	p. 63	9699-0056-02	14	1	p. 67	9747-1031-02	6	4	p. 65			
9400-0295-01	57	1	p. 57	9699-0056-02	21	1	p. 51	9747-1031-02	8	6	p. 69			
9400-0296-01	46	1	p. 57	9699-0056-02	25	1	p. 71	9747-1031-02	16	6	p. 69			
9400-0304-01	41	1	p. 63	9699-0056-02	39	1	p. 59	9747-1031-02	28	1	p. 67			
9403-0043-70	39	1	p. 53	9699-0060-02	59	4	p. 45	9747-1031-02	50	4	p. 47			
9403-0047-01	58	1	p. 45	9699-0060-02	60	1	p. 45	9794-5131-02	7	2	p. 63			
9403-0113-00	40	1	p. 53	9699-0062-02	9	2	p. 41	9795-3731-02	3	2	p. 51			
9404-0028-01	21	1	p. 67	9699-0069-02	11	2	p. 51	9799-1031-02	4	1	p. 67			
9405-0029-00	46	1	p. 43	9699-0087-02	36	3	p. 51	9815-8013-16	34	2	p. 63			
9405-0029-00	53	2	p. 45	9699-0090-02	8	2	p. 53	9837-8914-12	16	2	p. 41			
9500-9991-00	16	1	p. 57	9699-0090-02	37	2	p. 53	9838-9516-12	42	2	p. 43			
9501-0500-00	6	2	p. 47	9699-0090-02	47	1	p. 57	9838-9516-12	52	3	p. 61			
9501-0500-00	10	2	p. 47	9699-0103-02	5	1	p. 41	9840-7716-16	31	2	p. 63			
9545-0124-01	6	2	p. 69	9699-0114-02	5	1	p. 41	9840-8009-16	19	2	p. 43			
9545-0124-01	14	2	p. 69	9699-0116-02	21	2	p. 69	9840-8009-16	33	4	p. 51			
9545-0203-00	99	1	p. 69	9699-0120-02	45	1	p. 43	9849-7819-16	27	2	p. 63			
9545-0203-00	99	2	p. 69	9699-0120-02	48	1	p. 43	9849-8006-16	6	2	p. 63			
9545-0500-00	7	2	p. 69	9699-0120-02	55	2	p. 45	9849-8006-16	10	2	p. 63			
9545-0500-00	15	2	p. 69	9710-0631-12	55	1	p. 55	9849-8013-16	27	3	p. 51			
9547-0001-00	9	2	p. 47	9739-0531-22	18	4	p. 59	9893-0616-16	7	4	p. 43			
9549-0017-00	25	1	p. 53	9739-0531-22	22	2	p. 59	9893-0616-16	8	2	p. 49			
9549-0019-00	12	2	p. 71	9739-0531-22	37	2	p. 57	9893-0616-16	15	6	p. 43			
9549-0054-01	4	2	p. 69	9739-0631-22	29	2	p. 43	9893-0616-16	16	2	p. 71			
9570-0001-00	17	2	p. 59	9739-0631-22	29	2	p. 71	9893-0616-16	18	2	p. 47			
9578-0025-01	39	2	p. 67	9739-0831-22	3	2	p. 57	9893-0616-16	26	2	p. 57			
9578-0027-01	8	1	p. 65	9739-0831-22	3	4	p. 63	9893-0616-16	27	3	p. 43			
9579-0003-00	31	4	p. 49	9739-0831-22	6	2	p. 59	9893-0616-16	28	2	p. 43			
9579-0003-00	36	20	p. 63	9739-0831-22	7	1	p. 71	9893-0616-16	28	4	p. 57			
9579-0003-00	40	1	p. 67	9739-0831-22	12	2	p. 59	9893-0616-16	31	4	p. 43			
9595-0256-01	30	2	p. 53	9739-0831-22	14	1	p. 57	9893-0616-16	37	2	p. 43			
9595-0258-00	2	2	p. 69	9739-0831-22	15	2	p. 41	9893-0616-16	40	3	p. 43			
9595-0258-00	30	1	p. 59	9739-0831-22	15	3	p. 59	9893-0616-16	51	4	p. 45			
9595-0262-00	4	1	p. 41	9739-0831-22	18	2	p. 63	9893-0616-16	56	2	p. 45			
9595-0262-00	4	1	p. 47	9739-0831-22	22	1	p. 51	9897-0820-16	2	2	p. 57			
9598-0003-02	25	2	p. 69	9739-0831-22	22	2	p. 47	9897-0820-16	5	4	p. 51			
9599-0054-02	10	1	p. 49	9739-0831-22	23	4	p. 53	9897-0820-16	22	4	p. 53			
9599-0054-02	12	1	p. 49	9739-0831-22	25	2	p. 59	9897-0820-16	30	2	p. 51			
9599-0080-02	11	2	p. 69	9739-0831-22	26	1	p. 71	9897-0880-12	4	2	p. 51			
				9739-0831-22	31	1	p. 67	9897-1040-12	14	2	p. 53			
				9739-0831-22	31	2	p. 51	9924-1035-16	3	1	p. 67			

<b>code</b>	<b>pos.</b>	<b>q.ty</b>	<b>page</b>
9939-0612-16	43	3	p. 53
9939-0816-16	15	4	p. 51
9942-0612-16	32	1	p. 57
9943-0516-16	17	1	p. 57
9945-0816-16	12	6	p. 43
9945-0816-16	14	2	p. 71
9945-0816-16	20	2	p. 47
9945-0816-16	26	1	p. 53
9945-0816-16	37	2	p. 67
9945-0816-16	47	2	p. 53
9946-0525-16	20	2	p. 43
9946-0525-16	23	5	p. 43
9946-0525-16	39	4	p. 57
9947-0540-19	19	2	p. 69
9948-0630-16	4	3	p. 65
9950-0570-12	24	2	p. 43
9958-0820-16	2	4	p. 63
9959-0612-16	16	2	p. 49
9959-0612-16	30	2	p. 71
9959-0612-16	44	1	p. 63
9959-0816-16	5	2	p. 59
9959-0816-16	14	1	p. 59
9959-0816-16	17	4	p. 51
9959-0816-16	42	2	p. 59
9959-0816-16	54	1	p. 67
9959-0816-16	55	3	p. 61
9959-0820-16	7	2	p. 41
9959-0820-16	8	2	p. 57
9959-0820-16	11	2	p. 59
9959-0820-16	14	2	p. 41
9959-0820-16	21	2	p. 47
9959-0820-16	23	1	p. 67
9959-0820-16	24	2	p. 59
9959-0820-16	30	1	p. 67
9959-0820-16	34	1	p. 43
9959-0825-16	23	1	p. 67
9959-0830-16	17	2	p. 63
9959-0830-16	34	1	p. 43
9959-1020-16	14	2	p. 47
9987-5357-12	18	1	p. 65
9988-3713-16	3	2	p. 51
9988-3745-12	3	2	p. 51
9997-0512-16	36	2	p. 57
9997-0512-16	42	2	p. 63
9997-0520-16	21	2	p. 59
9997-0520-16	24	2	p. 63
9997-0630-12	57	1	p. 55
9997-0840-16	33	2	p. 59
9997-0850-16	38	1	p. 59
9997-0855-12	8	1	p. 71
9997-0855-12	27	1	p. 71
9997-0865-12	35	1	p. 53
9997-0870-16	13	1	p. 59
9997-0875-12	13	1	p. 67
9997-0875-12	19	4	p. 67
9997-1011-06	42	4	p. 47
9997-1030-16	19	2	p. 53
9997-1040-12	20	1	p. 71
9997-1050-16	5	4	p. 65
9997-1050-16	13	2	p. 53
9997-1050-16	41	1	p. 71