



## **Reservdelskatalog Parts Catalogue**

### **Park 340 X**

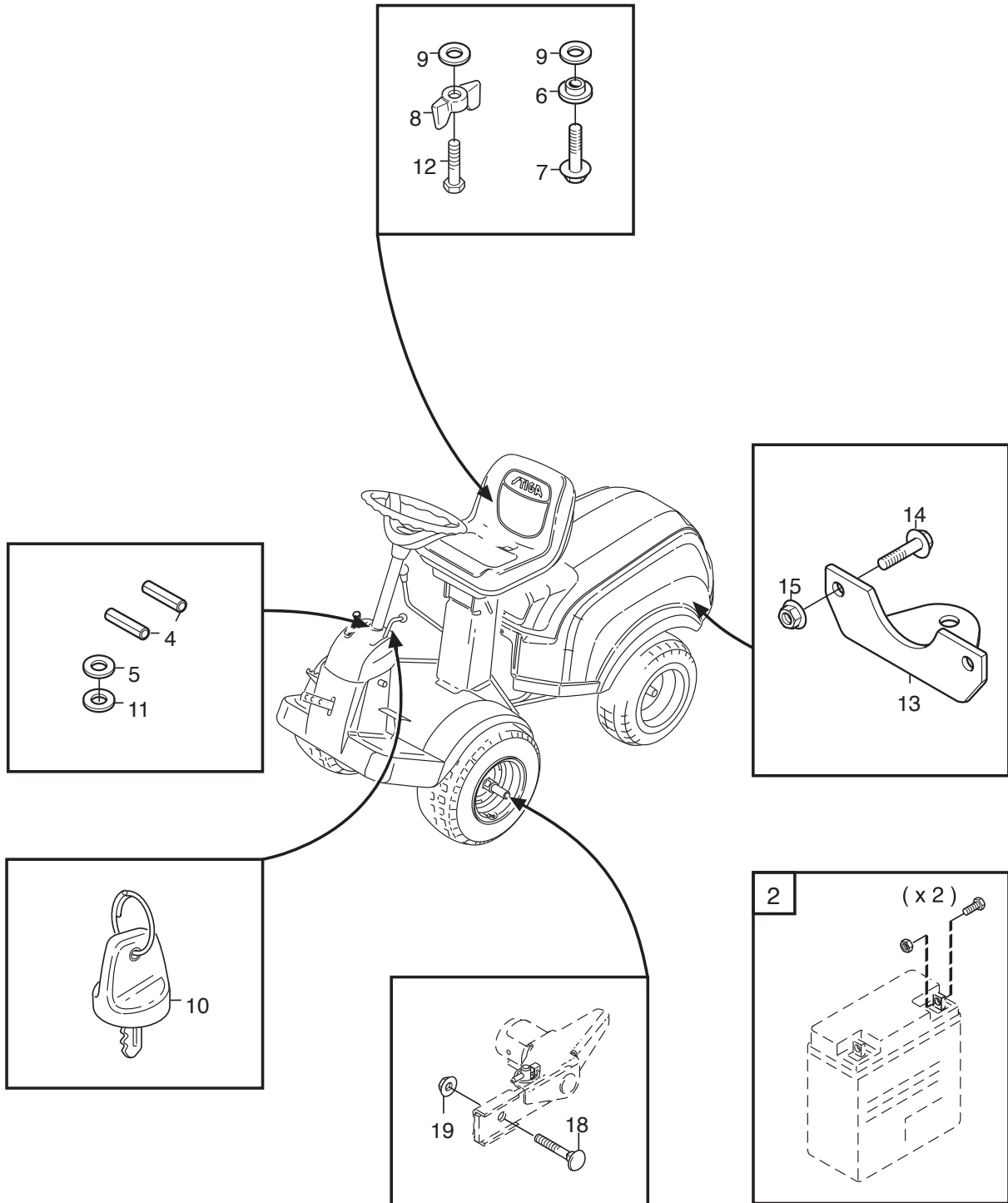
**2F6130511/S16 - Season 2016**

- Use GLOBAL GARDEN PRODUCT Genuine Spare Parts specified in the parts list for repair and/or replacement.
  - The contents described in the parts list may change due to improvement.
  - The drawings of the spare parts are only indicative and might not represent the part in question exactly.
  - The indications "right" - "left" - "front" - "rear" refer to the position of the operator when using the machine.
- When placing orders of parts for repair and/or replacement, make sure that the illustrated parts list is the one applying to the machine's year of manufacture, as shown on the identification plate attached to the machine.

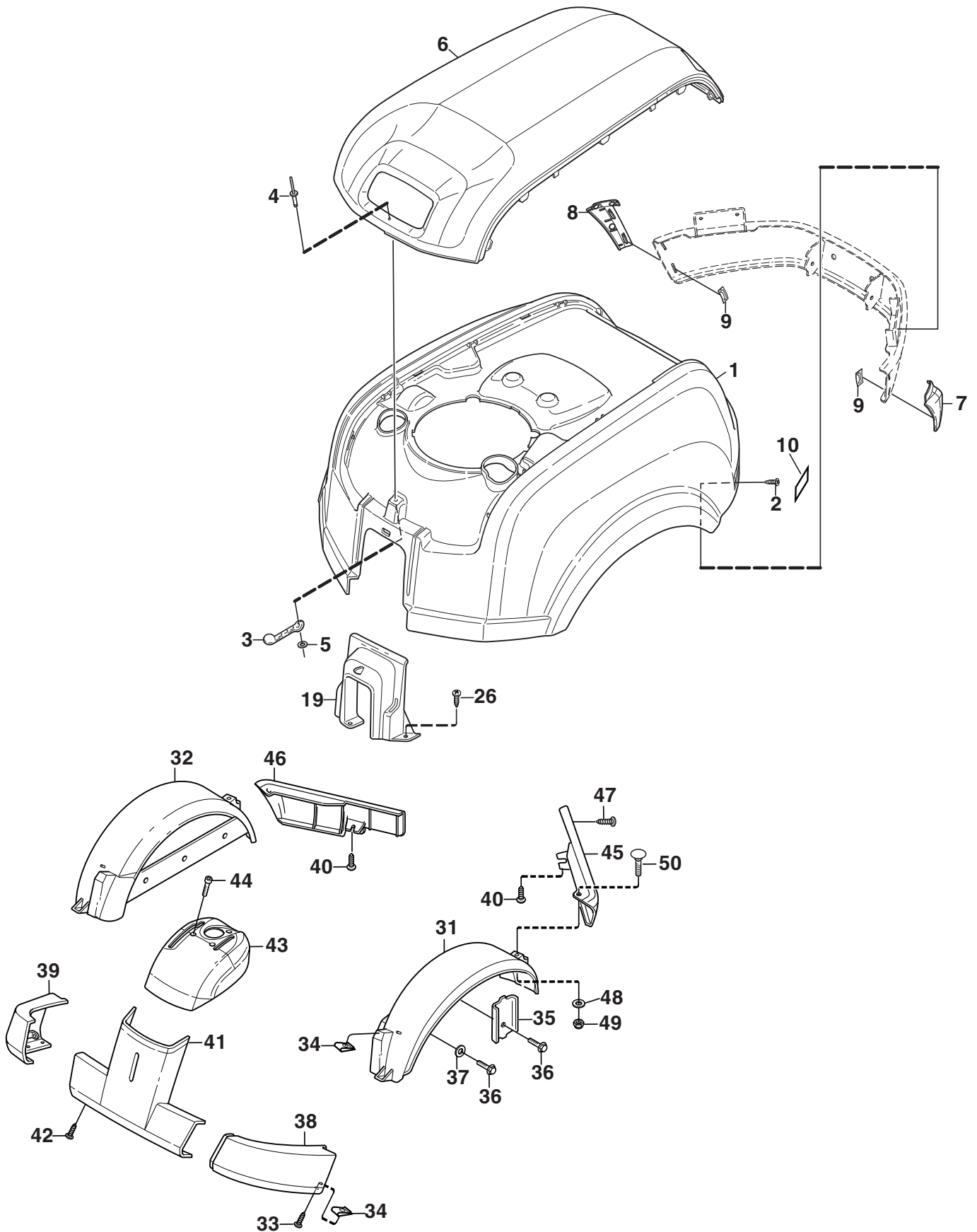
© Copyright 2016 Global Garden Products

All rights reserved. No part of this material may be reproduced or transmitted, in any form or by any means, electronic or mechanical, including photocopying, recording or by any information storage and retrieval system, without permission in writing from GLOBAL GARDEN PRODUCTS.

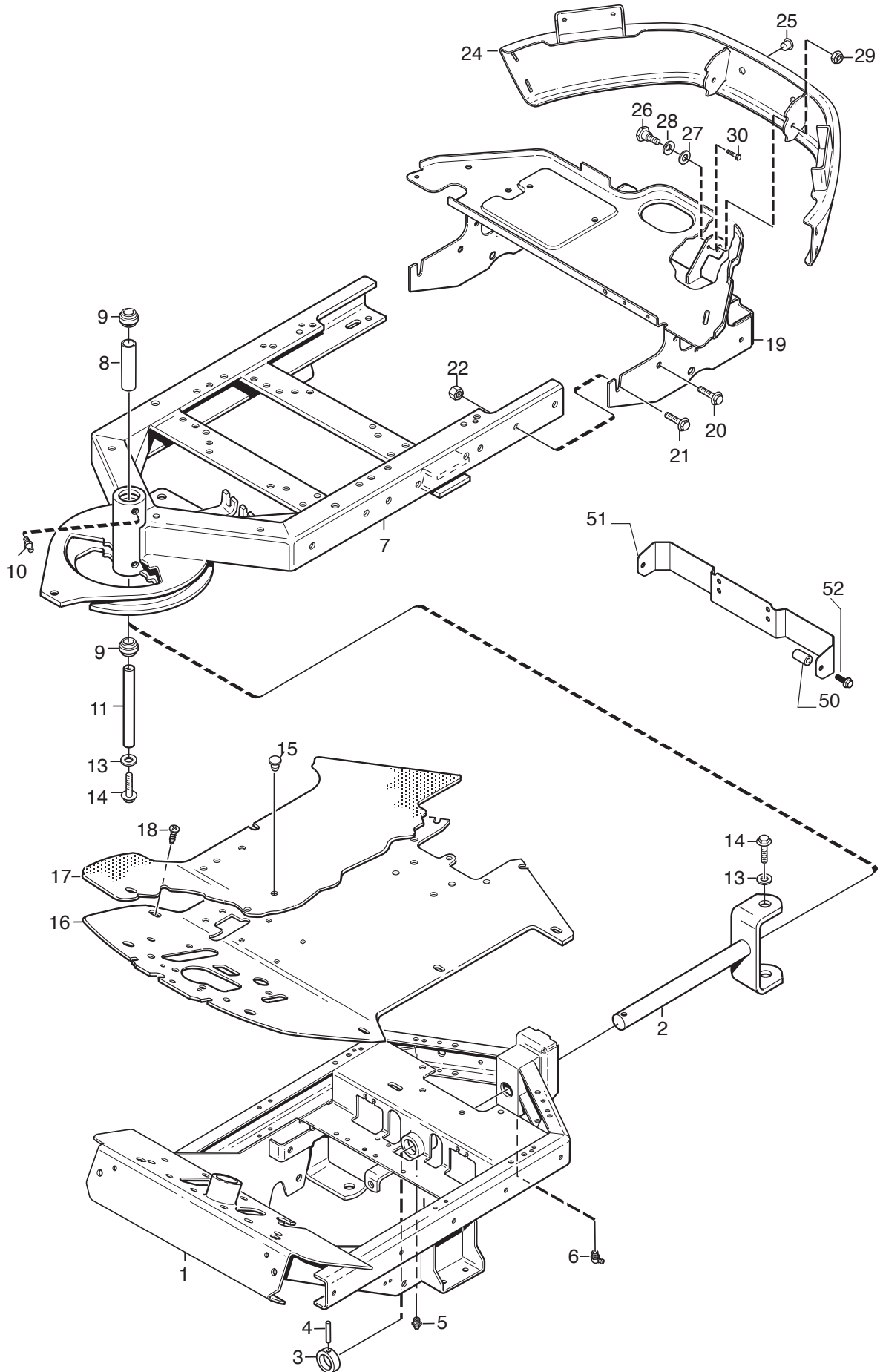
[www.stiga.com](http://www.stiga.com)



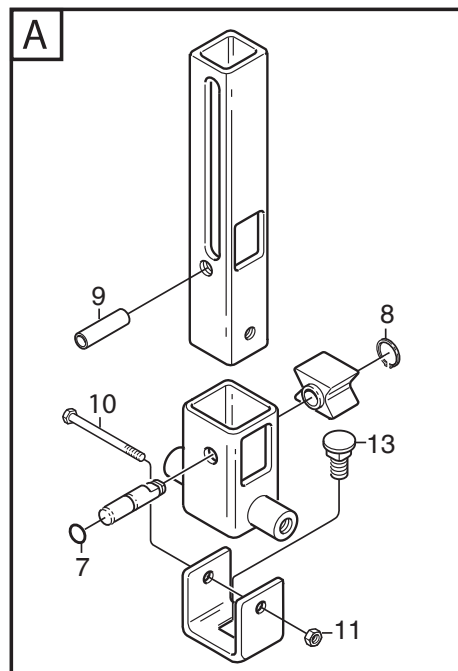
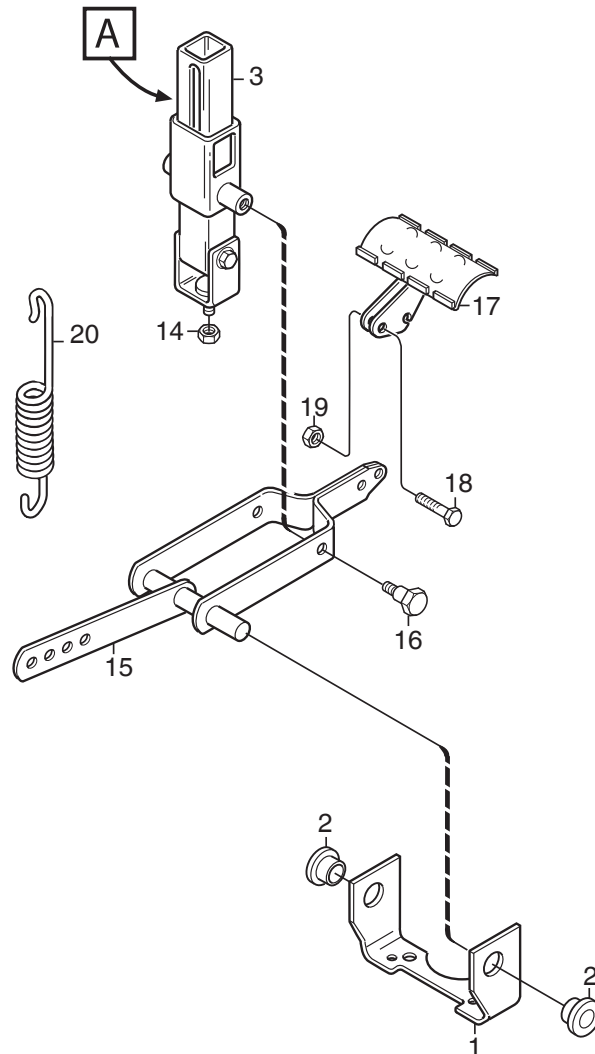
Utgåva Issue 18 - 2016		Monteringsdetaljer Assembly parts			
Pos. Fig.	Antal Q.ty	Art nr Part No	Benämning	Description	Anmärkning Notes
2	1	1134-6113-01	Skruv	Screw	
4	2	9595-0262-00	Spännstift	Locating Pin	
5	1	9699-0103-02	Bricka	Washer	0.5 mm
6	2	1134-4185-01	Ansatsbricka	Flange Washer	
7	2	9959-0820-16	Skruv	Screw	
8	2	1134-4481-01	Vingmutter	Wing Nut	
9	4	112523060/0	Bricka	Washer	
10	2	1134-4734-01	Tändningsnyckel	Ignition Key	
11	1	9699-0114-02	Bricka	Washer	1.0 mm
12	2	112793102/0	Skruv	Screw	
13	1	1134-5512-01	Dragplat5-01	Towing Plate	
14	2	9959-0820-16	Skruv	Screw	
15	2	112154220/0	Mutter	Nut	
18	2	9898-1035-16	Skruv	Screw	
19	2	9739-1031-22	Mutter	Nut	



Utgåva Issue 18 - 2016		Kaross		Body	
Pos. Fig.	Antal Q.ty	Art nr Part No	Benämning	Description	Anmärkning Notes
1	1	1134-6025-01	Motorhuv(1-00)	Engine Hood	
2	4	9893-0616-16	Skruv	Screw	
3	1	1134-9028-01	Gummistropp (3 St)	Rubber Strap (3 Pcs)	Sats 3 st/kit of 3
4	1	9632-0513-00	Popnit1 -0420 Bs [Tap/D Bs] 3,2X20	Pop Rivet	
5	1	9699-0120-02	Bricka	Washer	
6	1	337110334/0	Motorlucka	Engine Cover	
7	1	337110336/0	Ändavslut Stötfangare-Vä	Bumper End-Lh	
8	1	337110335/0	Ändavslut Stötfangare-Hö	Bumper End-Rh	
9	4	1134-6310-01	Clips	Clip	
10	2	337580302/0	Plåt	Plate	
19	1	1134-6241-01	Huvstöd (Svart) 5-01	Hood Support	
26	3	112735594/0	Skruv	Screw	
31	1	337491255/0	Skärm-Vä (Gra)	Mudguard-Lh (Grey)	
32	1	337491254/0	Skärm-Hö (Gra)	Mudguard-Rh (Grey)	
33	4	9893-0616-16	Skruv	Screw	
34	4	1134-4176-01	Clips	Clips	
35	2	1137-0088-01	Stödplat	Support Plate	
36	6	9945-0816-16	Skruv	Screw	
37	4	112523060/0	Bricka	Washer	
38	1	337502509/0	Stötfangare Front-Vä Gra	Bumper Front-Lh (Grey)	
39	1	337502508/0	Stötfangare Front-Hö Gra	Bumper Front-Rh (Grey)	
40	2	9893-0616-16	Skruv	Screw	
41	1	1134-5305-01	Front Nedre Gul	Lower Hood Yellow	
42	2	9893-0616-16	Skruv	Screw	
43	1	1134-5320-05	Front-Övre (Gul) 1-00	Front-Upper Part (Yellow)	
43	1	337110321/0	Kåpa	Cover	
44	2	9946-0525-16	Skruv	Screw	
45	1	337110331/0	Kantlist-Vä (Gra)	Moulding-Left (Grey)	
46	1	337110332/0	Kantlist-Hö (Gra)	Moulding Right-Grey	
47	2	9893-0616-16	Skruv	Screw	
48	2	9699-0060-02	Bricka	Washer	
49	2	112154510/0	Mutter	Nut	
50	2	112815200/0	Skruv	Screw	

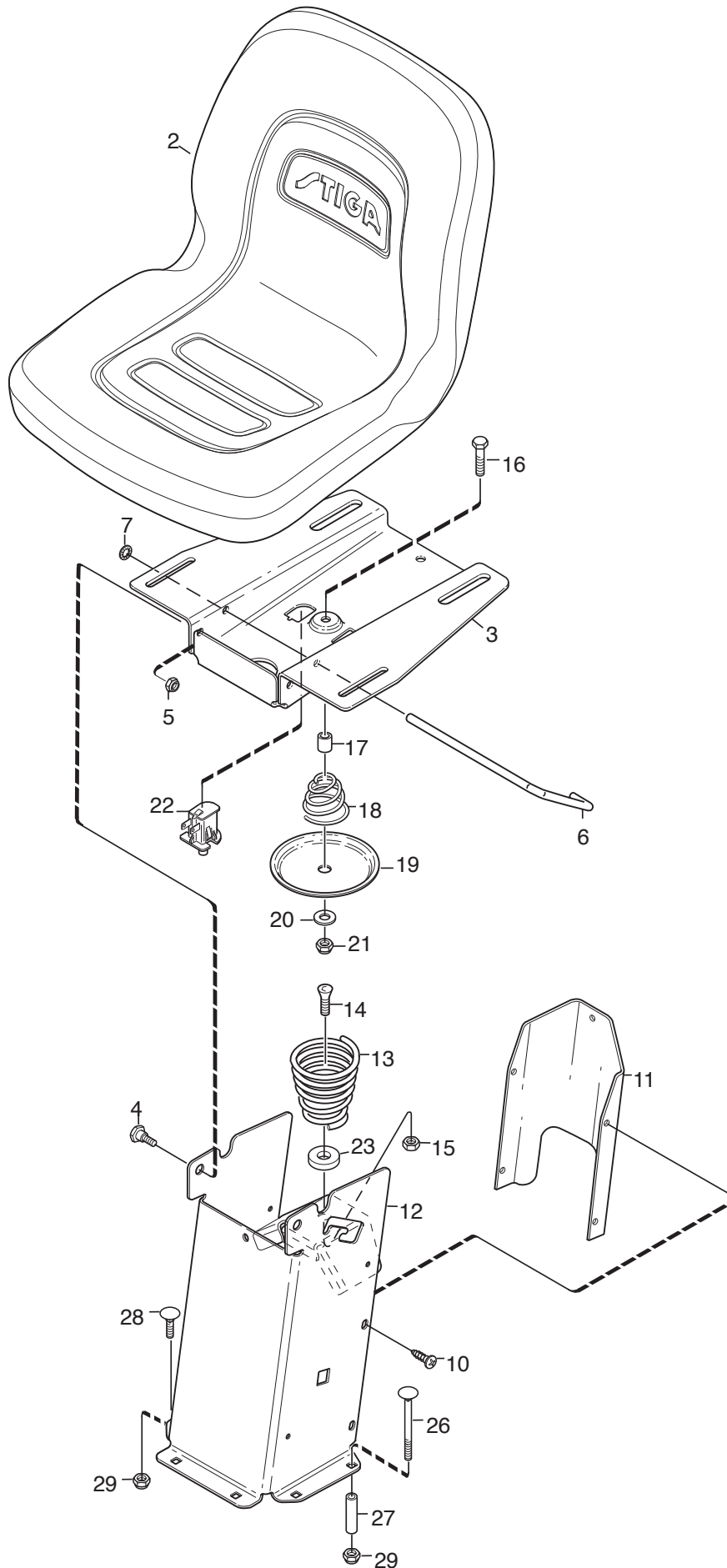


Utgåva Issue 18 - 2016		Ram		Frame	
Pos. Fig.	Antal Q.ty	Art nr Part No	Benämning	Description	Anmärkning Notes
1	1	387800013/0	Ram-Främre	Frame-Front	Incl. 2-3-4-5-6
2	1	1134-3963-02	Midjegaffel Service 5-01 H10	Fork	
3	1	1134-0031-00	Ledaxelstopp	Pivot Shaft Stop	
4	1	9595-0262-00	Spännstift	Locating Pin	
5	1	9501-0500-00	Smörjkopp Kort Rak	Grease Dispenser	Rak/straight
6	1	9501-0504-01	Smörjnippel	Grease Nipple M6 90	90°
7	1	1134-6466-02	Ram-Bakre Kpl	Frame-Rear Assy	Incl. 8-9-10
8	1	1134-5705-01	Distans	Spacer	
9	2	9547-0001-00	Ledlager	Bearing	
10	2	9501-0500-00	Smörjkopp Kort Rak	Grease Dispenser	
11	1	1134-5988-01	Centrumaxel	Centre Shaft	
13	2	9699-0035-02	Bricka	Washer	
14	2	9959-1025-16	Skruv	Screw	
15	2	9403-0048-70	Täckpropp Ikpt 13-6,5S	Cover Plug	
16	1	1134-6586-01	Durk (5-01)	Floor Plate	
17	1	114369182/0	Dekal	Label	
18	2	9893-0616-16	Skruv	Screw	
19	1	1134-5944-01	Tankhylla Kpl. 5-01	Tank Shelf Assy	
20	2	9945-0816-16	Skruv	Screw	
21	2	9959-0820-16	Skruv	Screw	
22	2	112154220/0	Mutter	Nut	
24	1	387457003/0	Stötfangare	Rear Bumper	
25	2	1134-4100-01	Täckpropp	Plug	
26	2	1134-0240-00	Skruv	Screw	
27	2	1134-4242-01	Distansbricka	Washer	
28	2	9665-0002-00	Bricka	Washer	
29	2	112155000/0	Mutter	Nut	
30	2	9943-0516-16	Skruv	Screw	
50	1	1134-1565-09	Distans	Spacer	
51	1	387602503/0	Skydd	Protection	
52	2	9945-0825-16	Skruv	Screw	

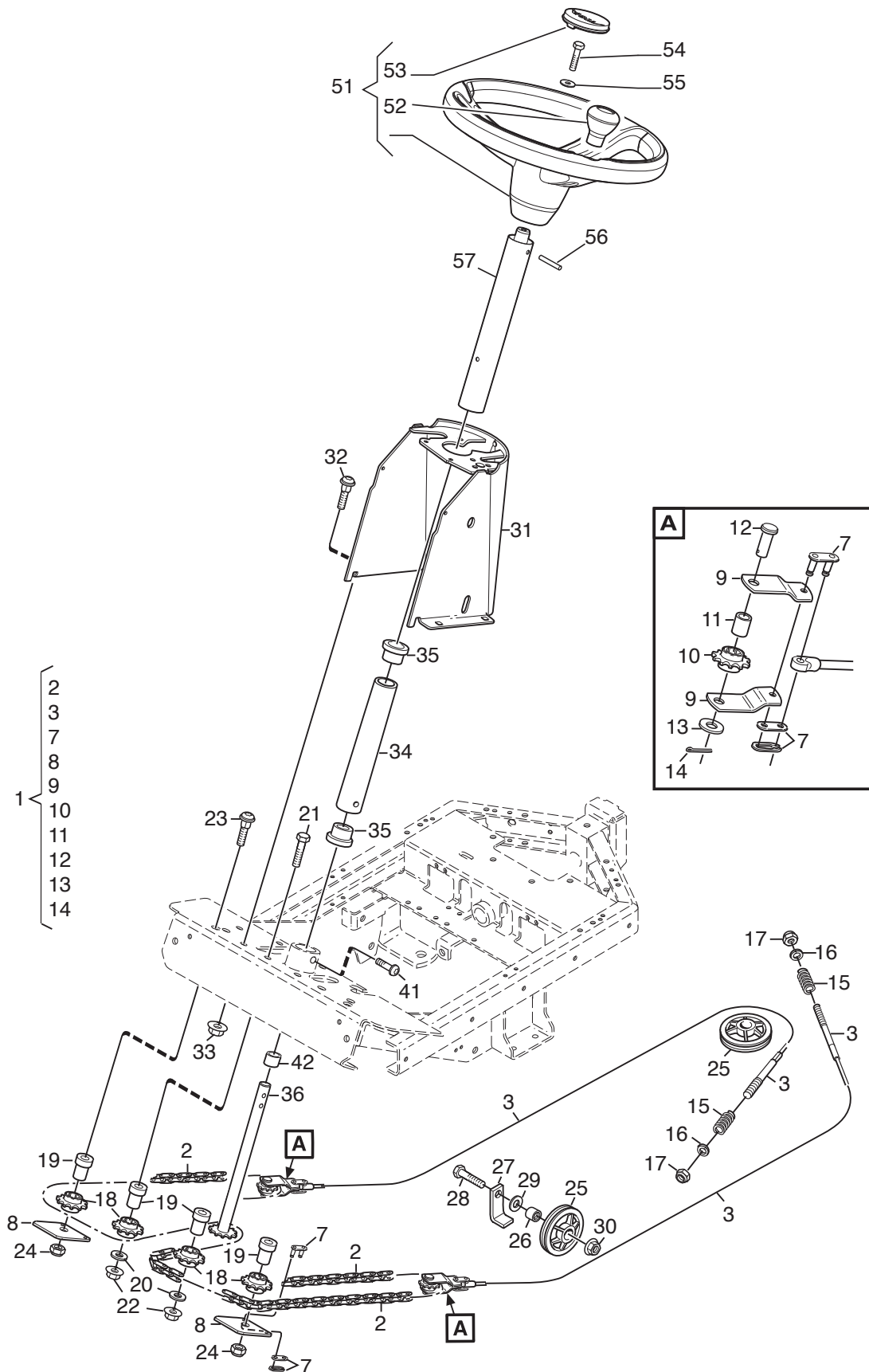




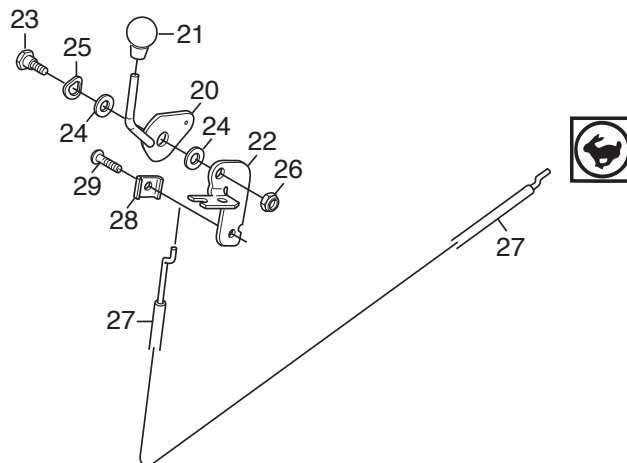
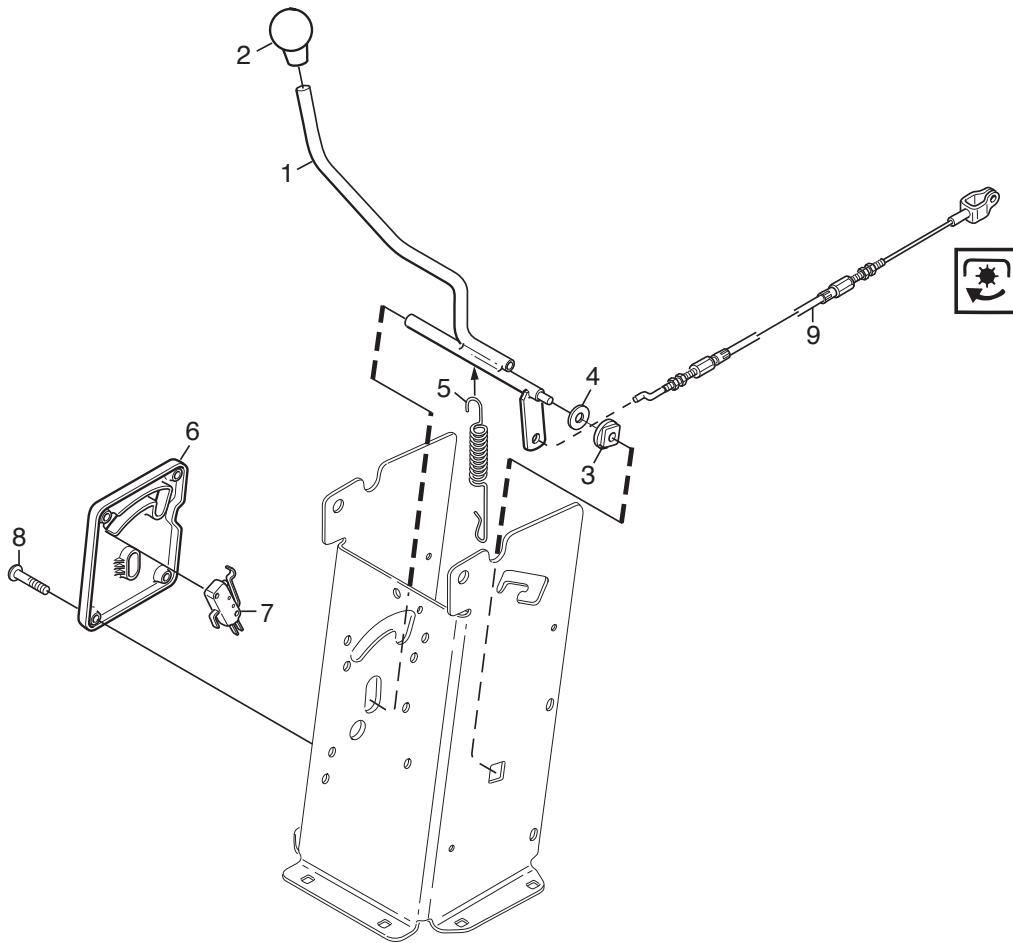
Utgåva Issue 18 - 2016		Pedallyft Pedal lift			
Pos. Fig.	Antal Q.ty	Art nr Part No	Benämning	Description	Anmärkning Notes
1	1	1134-4117-01	Fäste	Bracket	
2	2	1134-2684-01	Lager	Bearing	
3	1	1134-4945-01	Lyftspärr kpl	Lift Catch Assy	Pos 7-13 incl.
7	1	9404-0027-01	O-ring	O-ring	
8	1	9650-0039-04	Sparring Sga 8	Lock Ring	
9	1	9595-0276-01	Spiralspännstift 8*24	Locating Pin	
10	1	112689500/0	Skruv	Screw	
11	1	112154510/0	Mutter	Nut	
13	1	9897-0820-16	Skruv	Screw	
14	1	112155000/0	Mutter	Nut	
15	1	387256053/0	Lyftgaffel	Lift Fork	
16	2	1134-0240-00	Skruv	Screw	
17	1	1134-4938-01	Lyftpedal	Lift Pedal	
18	2	112791500/0	Skruv	Screw	
19	2	9739-0631-22	Mutter	Nut	
20	1	4231-0013-00	Fjäder	Spring	



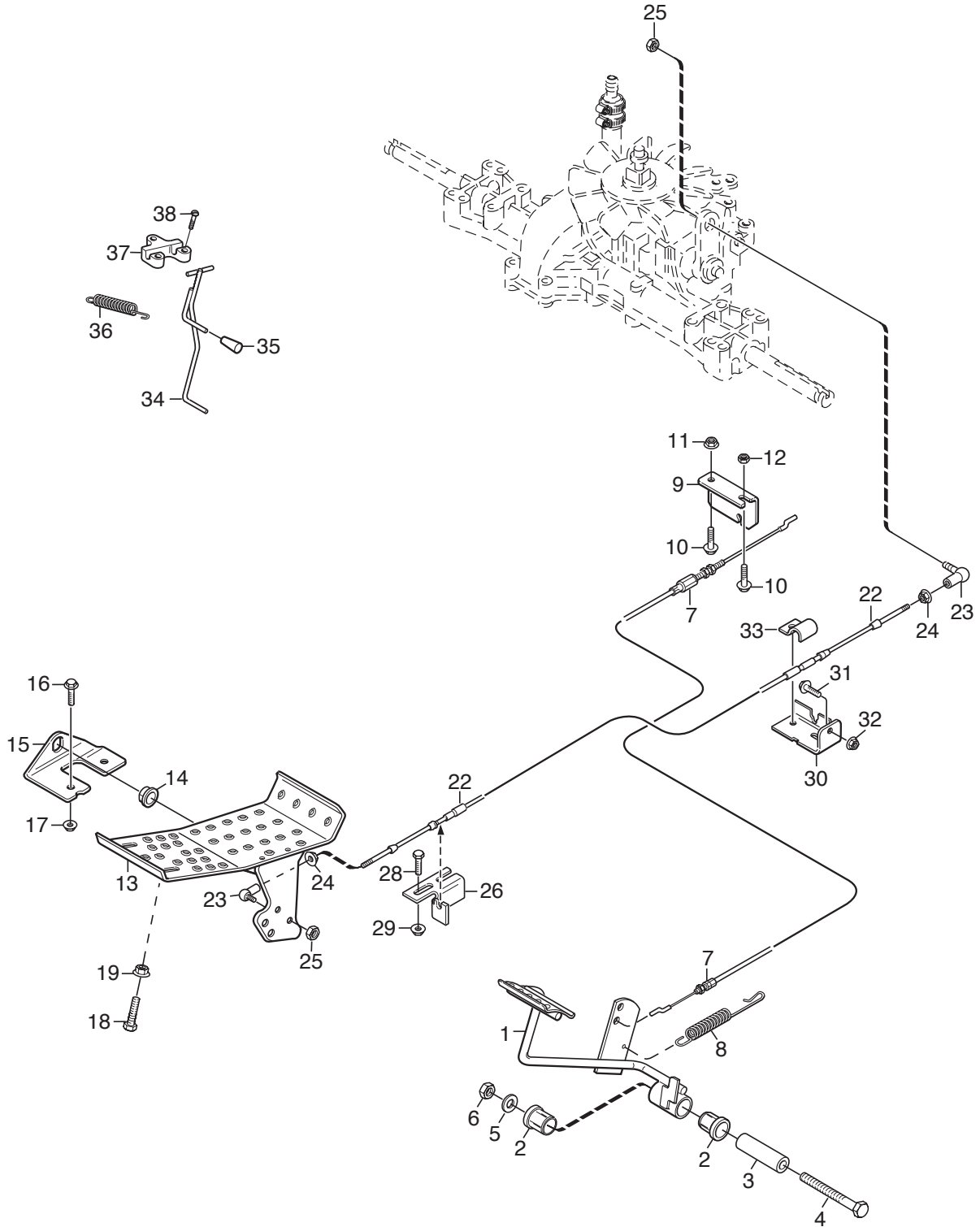
Utgåva Issue 18 - 2016		Sits Seat			
Pos. Fig.	Antal Q.ty	Art nr Part No	Benämning	Description	Anmärkning Notes
2	1	137722604/0	Seat	Seat	
3	1	1134-5301-01	Sitsplatta	Upper Seat Bracket	
4	2	1134-0240-00	Skruv	Screw	
5	2	112155000/0	Mutter	Nut	
6	1	1134-5454-01	Spärr	Catch	
7	1	112604899/0	Starlock P6704 8 Fz	Crown Fastener	
10	4	9893-0616-16	Skruv	Screw	
11	1	1134-5300-01	Bakstycke Gul	Rear Plate, Yellow	
12	1	1134-5296-04	Sitskonsol Kpl (Gul) 1-00	Seat Bracket (Yellow)	
13	1	1134-4256-01	Fjäder	Spring	
14	1	9924-1235-19	Skruv	Screw	
15	1	112156603/0	Mutter	Nut	
16	1	112691115/0	Skruv	Screw	
17	1	1134-1565-06	Distans	Spacer	
18	1	1134-5302-01	Fjäder	Spring	
19	1	1134-5299-01	Tryckplatta	Push Plate	
20	1	9699-0090-02	Bricka	Washer	
21	1	112155000/0	Mutter	Nut	
22	1	1134-3156-02	Brytare (gra)	Switch	
23	1	137160001/0	Distans	Spacer	
26	2	9897-0880-12	Skruv	Screw	L = 80 mm
27	2	1134-1565-08	Distans	Spacer	
28	4	9897-0820-16	Skruv	Screw	L = 20 mm
29	6	112155000/0	Mutter	Nut	



Utgåva Issue 18 - 2016		Styrning Steering			
Pos. Fig.	Antal Q.ty	Art nr Part No	Benämning	Description	Anmärkning Notes
1	1	1134-6380-02	Styrkedja Fz Mek. Servo K/W, L/L Sm	Steering Chain Assy	Inkl. pos 2-14
2	1	1134-6374-10	Kedja	Chain	129 länk
3	1	1134-9099-01	Styrwire	Steering Wire	Sats vä+hö/kit L+R
7	4	1134-2824-01	Kedjelas	Chain Lock	
8	2	1134-5652-01	Fäste	Attachment	
9	4	1134-5651-01	Fäste	Bracket	
10	2	1134-2816-01	Kedjehjul	Sprocket	
11	2	1134-0041-02	Bussning	Bushing	
12	2	1134-4817-01	Stift	Pin	
13	2	112521360/0	Bricka	Washer	
14	2	9599-0054-02	SaxSprint	Split Pin	
15	2	1134-3817-01	Fjäder	Spring	
16	2	9699-0090-02	Bricka	Washer	
17	2	112155000/0	Mutter	Nut	
18	4	1134-2816-01	Kedjehjul	Sprocket	
19	4	1134-5653-01	Distans	Spacer	
20	2	112521360/0	Bricka	Washer	
21	2	112692395/1	Skruv	Screw	
22	2	9739-1031-22	Mutter	Nut	
23	2	9897-1060-12	Skruv	Screw	
24	2	9731-1031-22	Mutter	Nut	
25	2	1134-9025-01	Linhjul	Steering Pulley	Sats 2 st/kit of 2
26	2	1134-0041-01	Bussning	Bushing	
27	2	1134-0046-00	Wireklämma	Wire Clamp	
28	2	9997-1040-16	Skruv	Screw	
29	2	112521360/0	Bricka	Washer	
30	2	9739-1031-22	Mutter	Nut	
31	1	1134-5349-01	Styrkonsol Kpl (Gul) 1-00	Steering Console (Yellow) 1-00	
32	4	9897-0820-16	Skruv	Screw	
33	4	112154220/0	Mutter	Nut	
34	1	387520125/0	Rattrör Nedre	Steering Column, Lower	
35	2	1134-1901-01	Lager	Bearing	
36	1	1137-0079-04	Rattstang Kpl	Steering Rod Assy	
41	2	9893-0616-16	Skruv	Screw	
42	1	1134-2837-03	Distans	Spacer	
51	1	337961200/0	Ratt	Steering wheel	
52	1	187593701/0	Knopp	Knob	
53	1	337580550/0	Styrplåt Kpl	Steering Plate	
54	1	112793102/0	Skruv	Screw	
55	1	112583500/0	Lasbricka	Grower	
56	1	112620299/0	Spännstift	Elastic Pin	
57	1	387520127/0	Rattstang	Steering Rod	

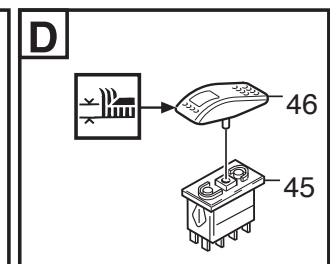
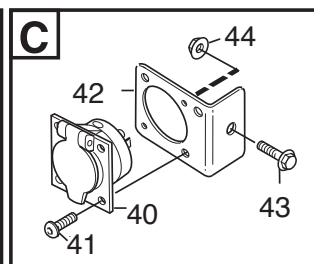
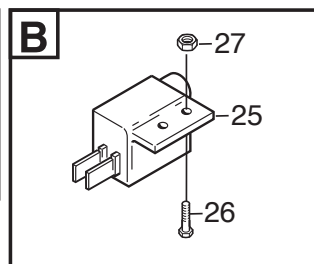
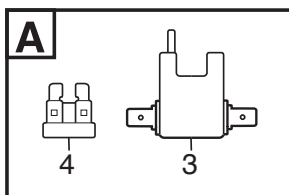
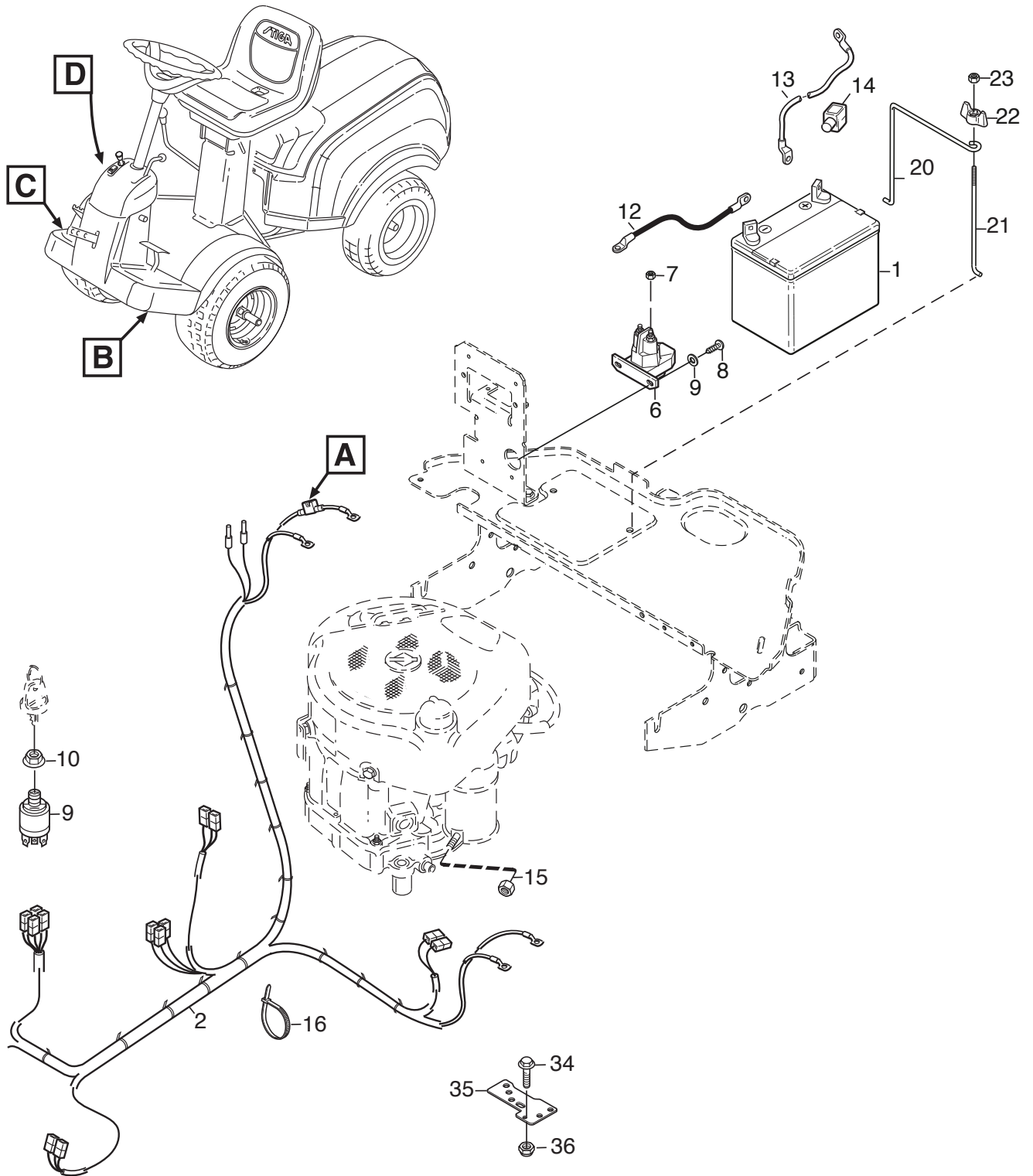


Utgåva Issue 18 - 2016		Handreglage Hand controls			
Pos. Fig.	Antal Q.ty	Art nr Part No	Benämning	Description	Anmärkning Notes
1	1	1134-6301-01	Aggregatsspak5-01	Engage Lever	
2	1	1134-2551-01	Knopp	Knob	
3	1	1134-3790-02	Lager	Bearing	
4	1	9699-0090-02	Bricka	Washer	
5	1	4231-0013-00	Fjäder	Spring	
6	1	1134-5368-01	Panel	Dashboard	
7	1	9400-0312-01	Mikrobrytare	Microswitch	
8	4	9946-0525-16	Skruv	Screw	
9	1	1134-3573-05	Reglagewire	Control Cable	
20	1	1134-5465-01	Gasreglage	Throttle Control Lever	
21	1	1134-4078-01	Knopp	Knob	
22	1	1134-5464-01	Fäste	Bracket	
23	1	1134-0240-00	Skruv	Screw	
24	2	1134-4242-01	Distansbricka	Washer	
25	1	9694-0001-00	Bricka	Washer	
26	1	112155000/0	Mutter	Nut	
27	1	1134-4197-03	Gasreglage	Throttle Cable	
28	1	9500-9991-00	Kabelklämma	Wire Clamp	
29	1	9943-0516-16	Skruv	Screw	

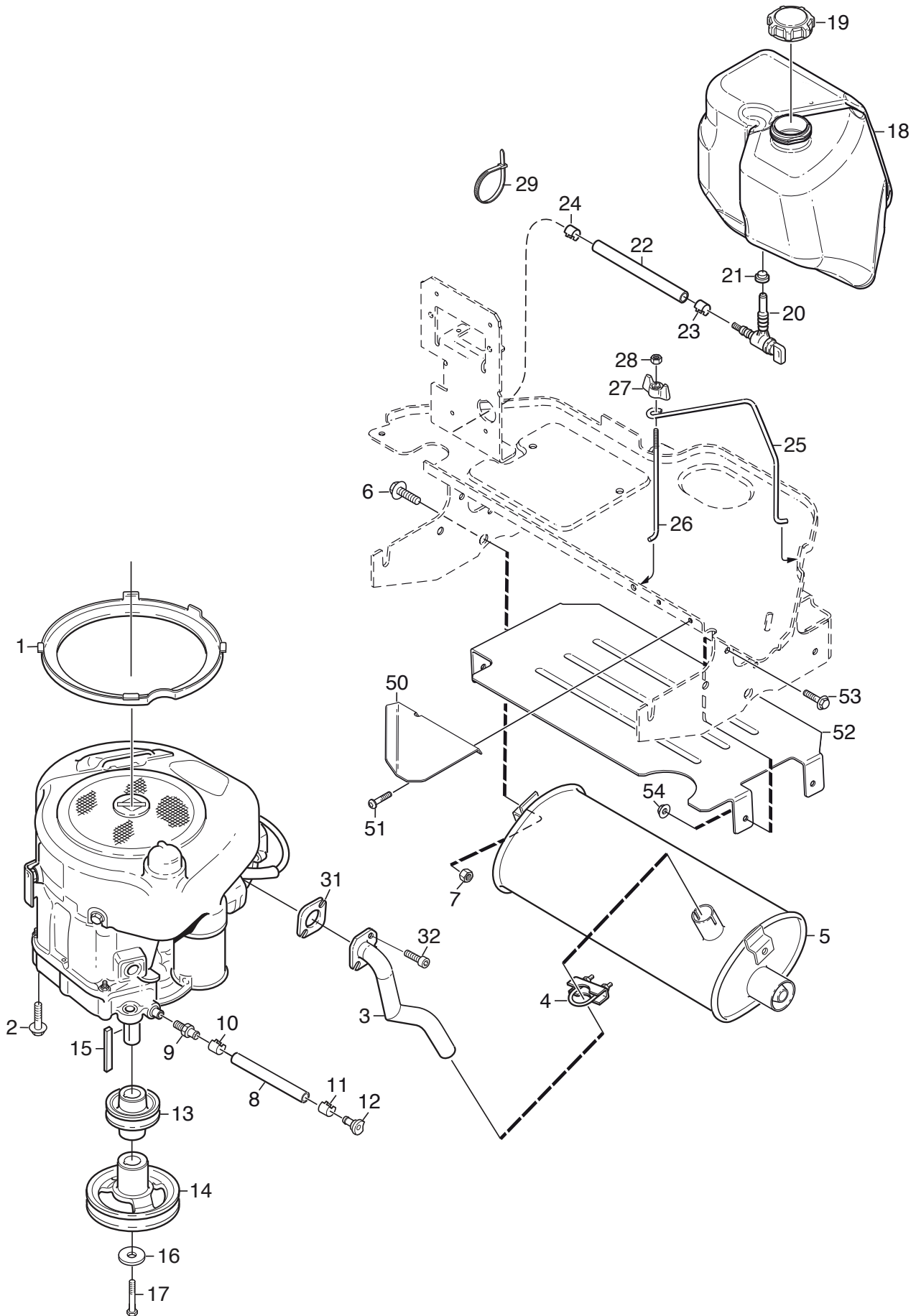




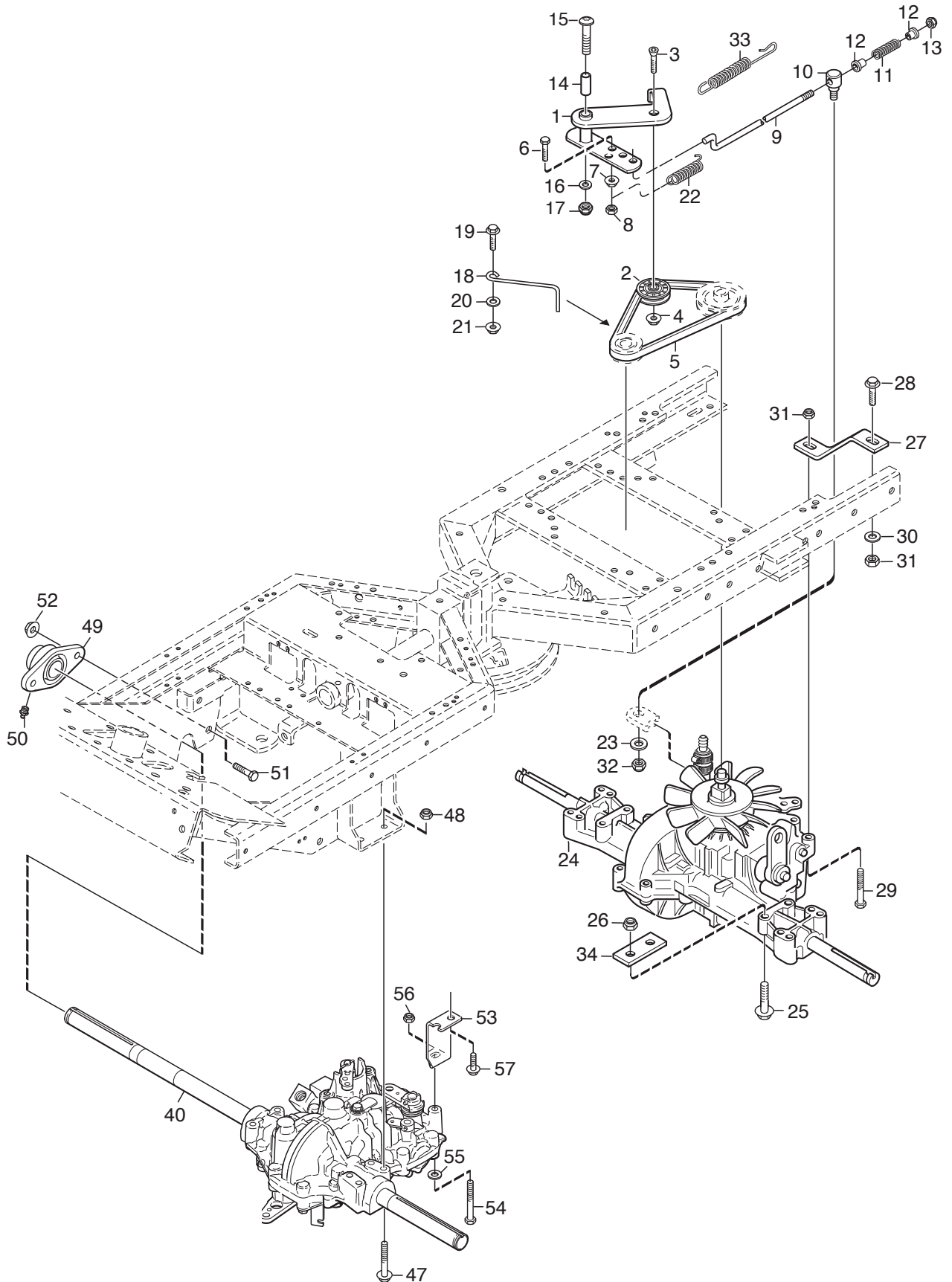
Utgåva Issue 18 - 2016		Fotreglage		Foot controls	
Pos. Fig.	Antal Q.ty	Art nr Part No	Benämning	Description	Anmärkning Notes
1	1	1134-5655-01	Kopplingspedal Kpl	Clutch Pedal	
2	1	1134-9024-01	Lager (4 St)	Bearing	Sats 4 st/kit of 4
3	1	1134-5677-02	Distans	Spacer	
4	1	9997-1070-12	Skruv	Screw	
5	1	9699-0030-02	Bricka	Washer	
6	1	9739-1031-22	Mutter	Nut	
7	1	1134-6005-01	Reglagewire	Control Cable	
8	1	4231-0013-00	Fjäder	Spring	
9	1	1134-3906-01	Vajerfäste 24	Cabel Holder	
9	1	1134-6467-01	Wirefäste	Cable Holder	
10	2	9959-0820-16	Skruv	Screw	
11	1	112154220/0	Mutter	Nut	
12	1	112155000/0	Mutter	Nut	
13	1	1134-6353-01	Drivpedal	Drive Pedal	
14	2	1134-6313-01	Lager	Bearing	
15	2	1134-2700-01	Fäste	Bracket	
16	2	9959-0820-16	Skruv	Screw	
17	2	112154220/0	Mutter	Nut	
18	1	9997-0835-16	Skruv	Screw	
19	1	112154220/0	Mutter	Nut	
22	1	1134-2766-05	Reglagevajer	Speed Control Cable	
23	2	9570-0001-00	Vinkellänk As8 Din 71802M5	Elbow Link	
24	2	9739-0531-22	Mutter	Nut	
25	2	112154330/0	Mutter	Nut	
26	1	1134-6317-01	Wirefäste	Wire Bracket	
28	2	9959-0620-16	Skruv	Screw	
29	2	9739-0631-22	Mutter	Nut	
30	1	1134-3395-01	Fäste 24 (5-01)	Attachment	
31	2	9959-0820-16	Skruv	Screw	
32	2	112154220/0	Mutter	Nut	
33	1	1134-2021-01	Växelwirefäste	Clamp	
34	1	1134-5353-01	Bromsstang	Brake Rod	
35	1	1134-2786-01	Knopp	Knob	
36	1	1131-1497-01	Fjäder	Brake Spring	
37	1	1134-4002-01	Fäste	Brake Rod Attachment	
38	3	112728697/0	Skruv	Screw	



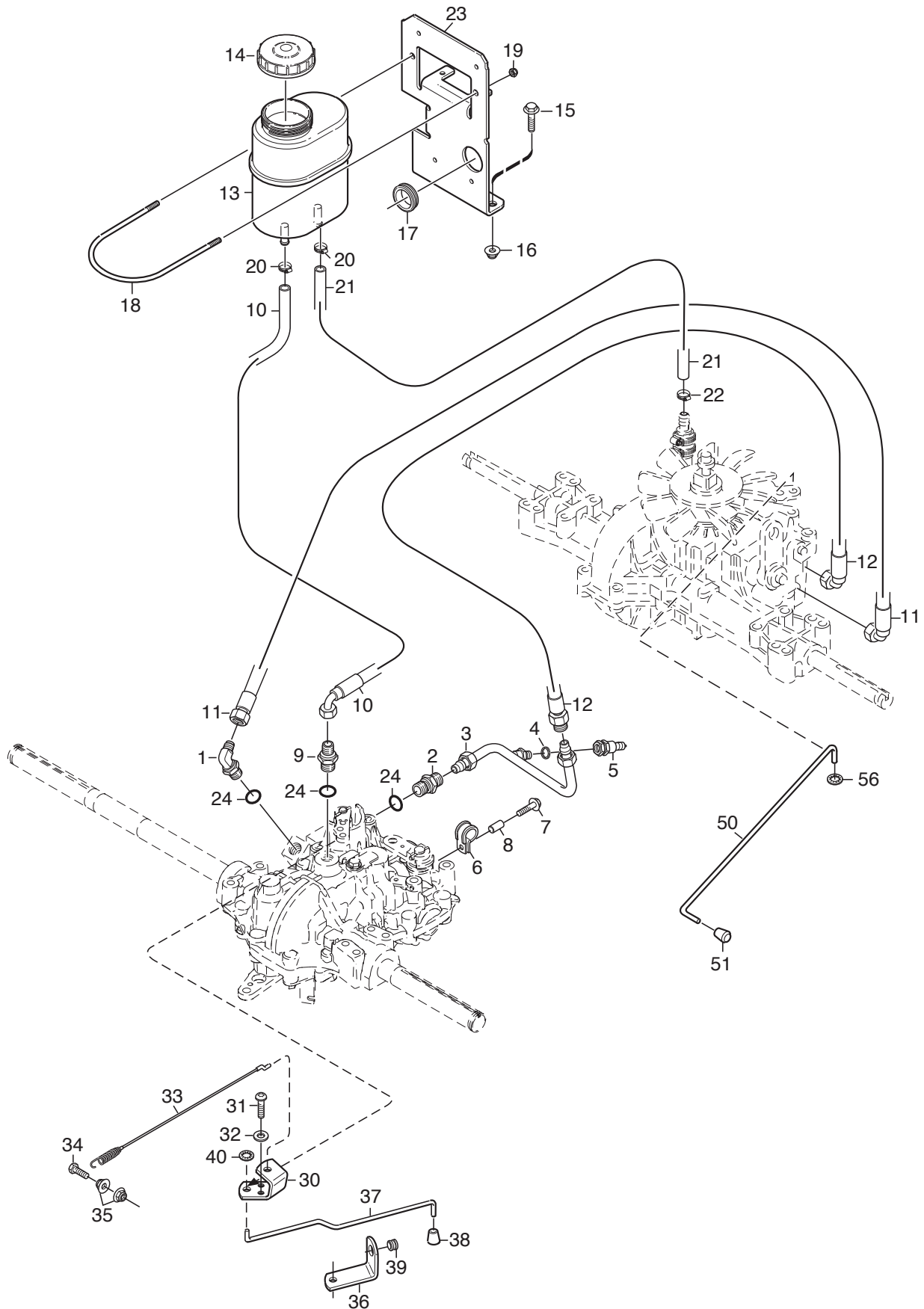
Utgåva Issue 18 - 2016		Elsystem Electric system			
Pos. Fig.	Antal Q.ty	Art nr Part No	Benämning	Description	Anmärkning Notes
1	1	1134-5751-01	Batteri	Battery	
4	1	1134-3496-06	Säkring 20A Gul	Fuse (20A) Yellow	20A
3	1	9400-0327-01	Säkringshallare Inkl 20A Säkring	Fuse Holder Incl Fuse	Inkl. pos 4
2	1	187040308/0	Kablage	Harness	Inkl. Pos 3, 4
6	1	118736112/0	Solenoid Kpl Service	Solenoid	Inkl. pos 8
7	2	9852-8013-16	Skruv	Screw	
8	2	9743-5121-32	Mutter	Nut	
9	1	1134-4093-01	Tändningslas	Ignition Switch	
10	1	1134-4749-01	Mutter	Nut	
12	1	1134-5992-01	Batterikabel	Battery Cable	
13	1	1134-0234-02	Batterikabel (+)	Battery Cable (+)	
14	1	1134-2310-01	Batteriskydd	Guard Cap (+)	
15	1	112361005/0	Mutter	Nut	1/4" UNC
16	15	133320027/0	Bunband	Cable	
17	1	1134-5343-01	Batterikonsol	Battery Bracket	
18	3	9852-8013-16	Skruv	Screw	
19	2	9699-0060-02	Bricka	Washer	
20	1	1134-5994-01	Batteribygel	Battery Loop	
21	1	1134-5995-01	Batteribygel	Battery Loop	
22	1	1134-4481-02	Vingmutter	Wing Nut	
23	1	112154510/0	Mutter	Nut	
25	1	1134-3399-02	Brytare	Switch	
26	2	112789008/0	Skruv	Screw	
27	2	112154330/0	Mutter	Nut	
34	1	9959-0612-16	Skruv	Screw	
35	1	1134-6454-01	Jordplat	Ground Plate	
36	1	9739-0631-22	Mutter	Nut	
40	1	1137-0075-01	Fäste	Attachment	2010
41	2	112735105/0	Skruv	Screw	
42	1	1134-7535-01	Honkontakt	Female Connector	
43	1	9959-0820-16	Skruv	Screw	
44	1	112154220/0	Mutter	Nut	
45	1	9400-0282-01	Brytare (Med Diod)	Switch	
46	1	9400-0280-03	Vippa Höjdinst	Switch Cover-Height Adjust	



Utgåva Issue 18 - 2016		Motor	Engine		
Pos. Fig.	Antal Q.ty	Art nr Part No	Benämning	Description	Anmärkning Notes
1	1	1134-6116-02	Luftkanal	Air Duct	
2	4	9955-3725-16	Skruv	Screw	
4	1	9578-0011-01	Rörklämma 38	Tube Clamp	
5	1	1134-6024-01	Ljuddämpare Kpl	Muffler Assy	
6	1	9959-0820-16	Skruv	Screw	
7	1	112154220/0	Mutter	Nut	
8	1	1134-5827-01	Oljeavtappning Kpl	Oil Drain Assy	Incl. pos 9 - 12
9	1	1134-5825-01	Nippel	Nipple	
10	1	9578-0023-04	Slangklämma 15*8 (Vit)	Hose Clamp	
11	1	1134-3499-02	Slangklämma	Hose Clamp	
12	1	1134-5826-01	Plugg	Plug	
13	1	1137-0206-01	Motorremskiva	Engine Belt Pulley	
14	1	1137-0208-01	Motorremskiva	Engine Pulley	
15	1	9600-0251-01	Kil	Key	
16	1	1134-5017-02	Bricka	Washer	
17	1	9987-5332-16	Skruv	Screw	
18	1	1134-5938-01	Bränsletank	Fuel Tank	
19	1	1134-5532-01	Tanklock	Fuel Tank Cap	
20	1	1134-3224-01	Bensinkran	Fuel Shut-Off Valve	
21	1	1134-3225-01	Gummibussning	Grommet	
22	1	1134-2975-15	Bensinslang	Fuel Tube	Cutting length 1,1 mt
23	1	9578-0023-02	Slangklämma D12*8 (Svart)	Hose Clamp	
24	1	9578-0023-02	Slangklämma D12*8 (Svart)	Hose Clamp	
25	1	1134-5942-01	Tankbygel	Tank Loop	
26	1	1134-5996-01	Tankbygel	Tank Loop	
27	1	1134-4481-02	Vingmutter	Wing Nut	
28	1	112154510/0	Mutter	Nut	
29	1	133320027/0	Bunband	Cable	
30	1	9852-8013-16	Skruv	Screw	
31	1	1134-0433-00	Packning	Gasket	
32	2	1134-4930-01	Skruv	Screw	
50	1	1134-6234-01	Deflektor	Heat Deflector	
51	2	9943-0516-16	Skruv	Screw	
52	1	1134-6251-01	Deflektor	Heat Deflector	
53	4	9959-0612-16	Skruv	Screw	
54	4	9739-0631-22	Mutter	Nut	

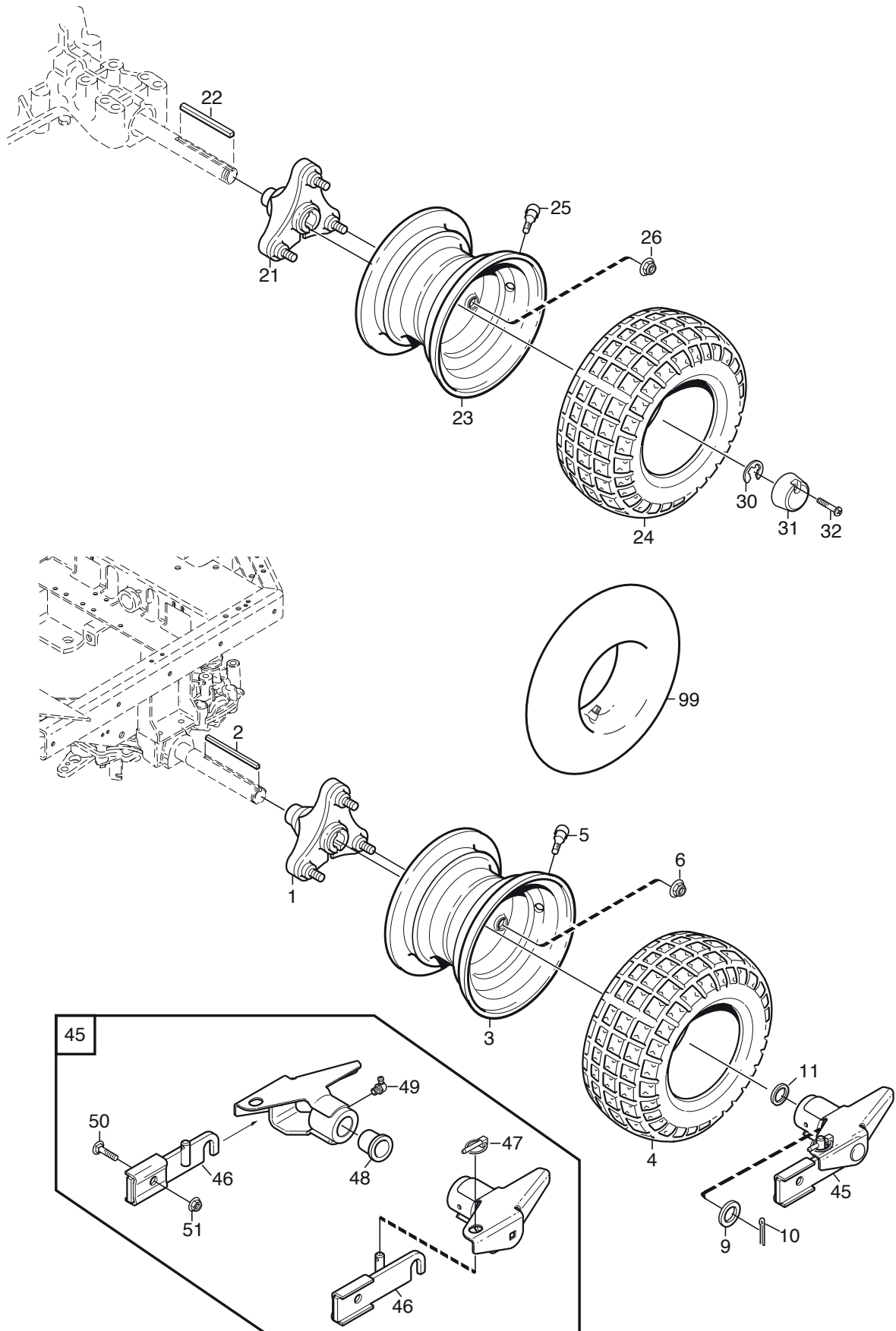


Utgåva Issue 18 - 2016		Transaxel		Transmission	
Pos. Fig.	Antal Q.ty	Art nr Part No	Benämning	Description	Anmärkning Notes
1	1	1134-4000-02	Spännarm Kpl 15	Tension Arm	
2	1	1134-3459-01	Spännrulle	Tension Roller	
3	1	9924-1035-16	Skruv	Screw	
4	1	112295200/0	Mutter	Nut	
5	1	1134-9058-01	Kilrem	V-Belt	contain belt 9585-0091-01
6	1	112791500/0	Skruv	Screw	
7	1	9739-0631-22	Mutter	Nut	
8	1	112154510/0	Mutter	Nut	
9	1	1134-3377-02	Reglagestang	Control Rod	
10	1	1134-4171-01	Ledtapp	Pivot Pin	
11	1	1134-4183-01	Fjäder	Spring	
12	2	1134-3456-01	Bussning	Bushing	
13	1	112154510/0	Mutter	Nut	
14	1	1134-1565-08	Distans	Spacer	
15	1	9930-0870-16			
16	1	112523060/0	Bricka	Washer	
17	1	112155000/0	Mutter	Nut	
18	1	1134-3289-02	Remstyrning	Belt Guide	
19	1	9959-0820-16	Skruv	Screw	
20	1	112523060/0	Bricka	Washer	
21	1	112154220/0	Mutter	Nut	
22	1	1134-6414-01	Fjäder	Spring	
23	1	9699-0060-02	Bricka	Washer	
24	1	1137-0124-01	Transaxel K574G	Transaxle K574G	Kanzaki K574G (2-port)
25	4	9960-0860-12	Skruv	Screw	
26	4	112155000/0	Mutter	Nut	
27	1	1134-3913-01	Reaktionsstag 5-01 F24	Strut	
28	1	9959-0825-16	Skruv	Screw	
29	1	112691200/0	Skruv	Screw	
30	1	9699-0090-02	Bricka	Washer	
31	2	112155000/0	Mutter	Nut	
32	1	112154510/0	Mutter	Nut	
33	1	4231-0013-00	Fjäder	Spring	
40	1	1134-6029-01	Motoraxel-Främre (Ktm10M)	Front Motor Unit (Ktm10M)	Kanzaki KTM 10M
47	2	9960-0860-12	Skruv	Screw	
48	2	112155000/0	Mutter	Nut	
49	1	1134-5703-01	Flänslagerenhet	Flange Bearing Unit	Incl. pos. 50
50	1	112379511/0	Smörjnippel	Grease Dispenser	
51	2	9997-1040-16	Skruv	Screw	
52	2	9731-1031-22	Mutter	Nut	
53	1	1134-5670-01	Reaktionsstag 5-01	Strut	
54	1	9997-0880-16	Skruv	Screw	
55	1	9699-0090-02	Bricka	Washer	
56	1	112155000/0	Mutter	Nut	
57	2	9945-0816-16	Skruv	Screw	

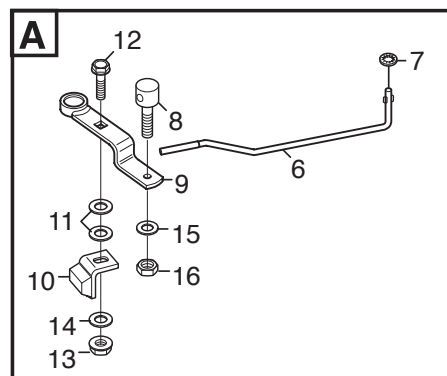
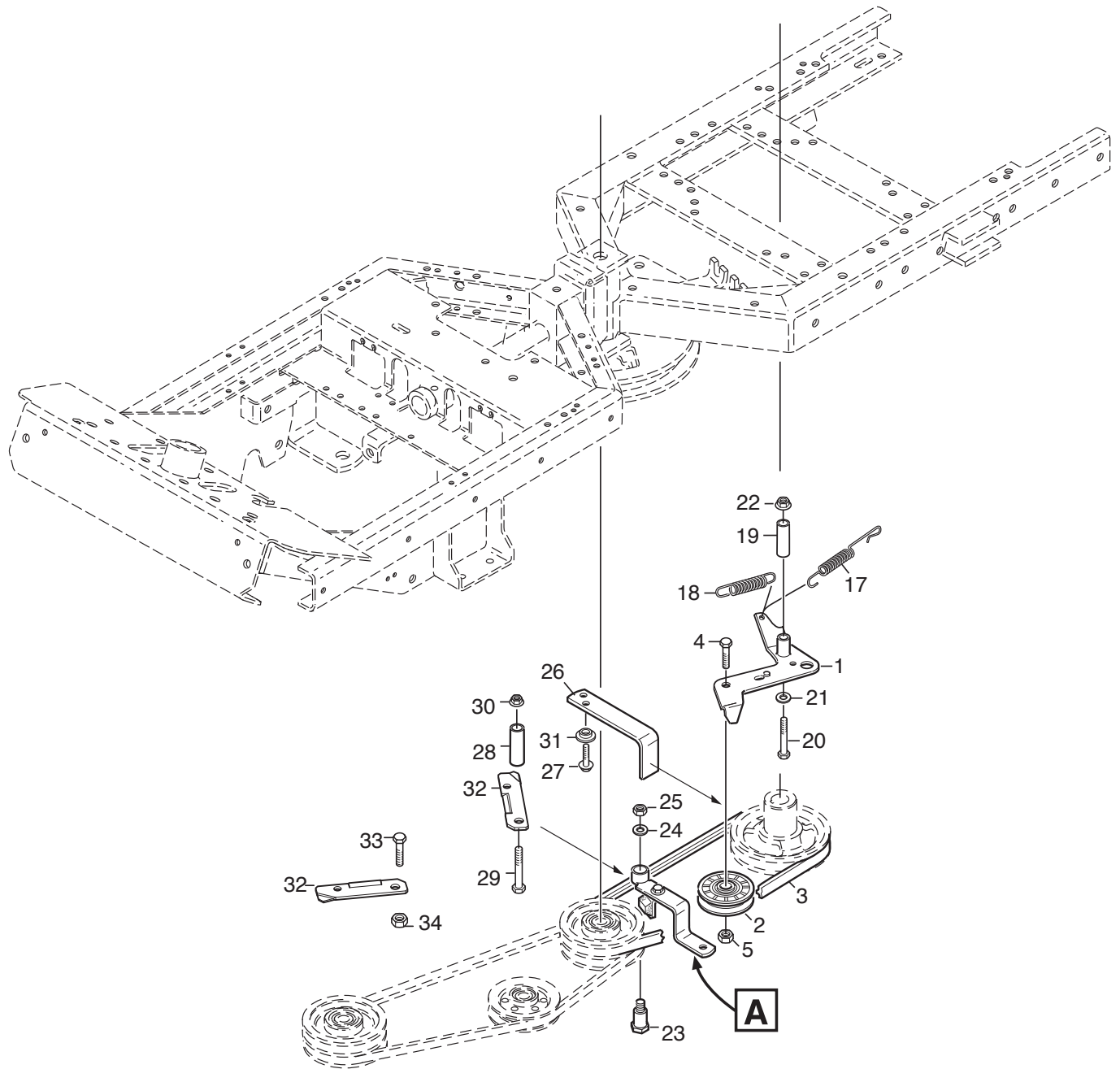




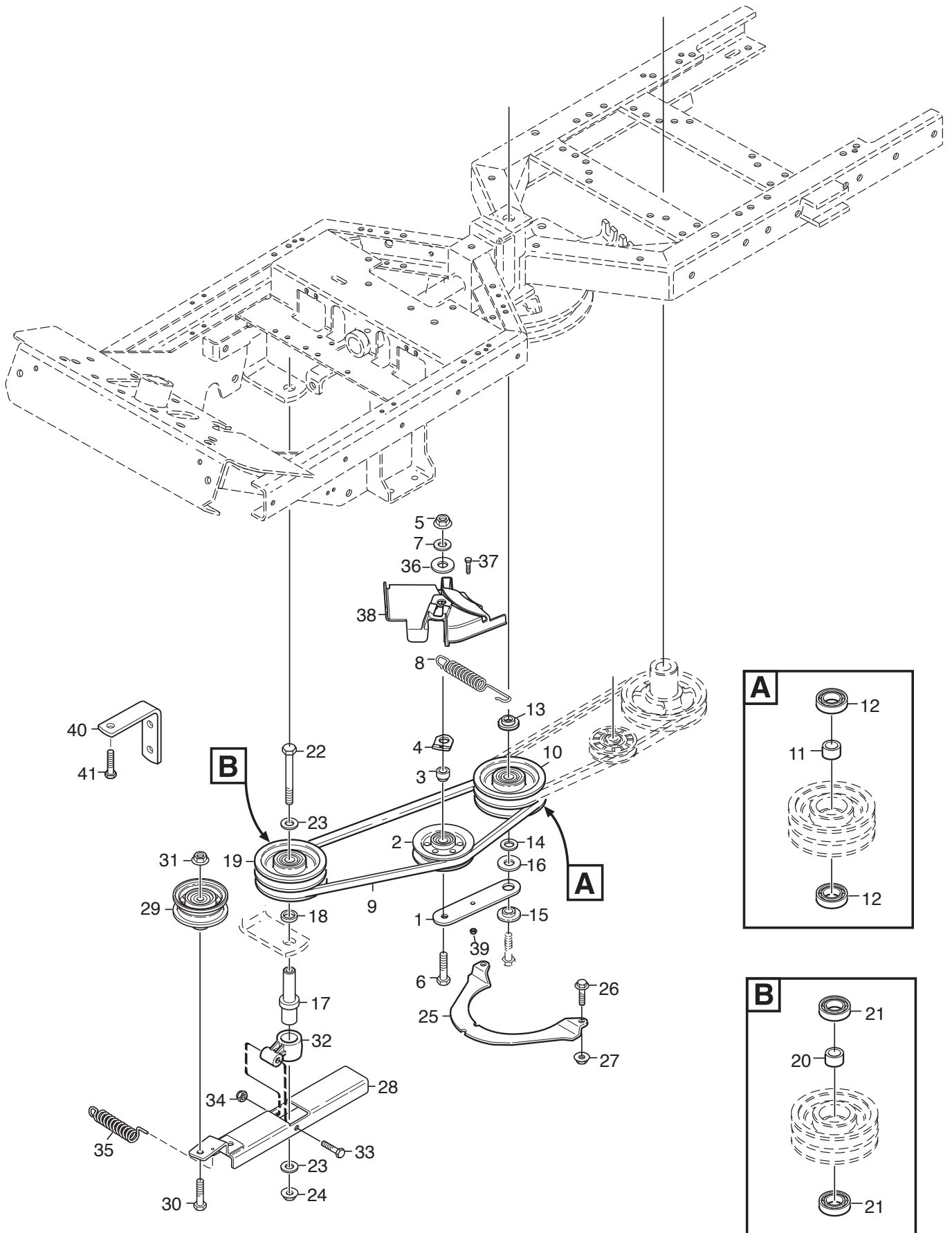
Utgåva Issue 18 - 2016		Transmission			
Pos. Fig.	Antal Q.ty	Art nr Part No	Benämning	Description	Anmärkning Notes
1	1	1134-6044-01	Vinkeladapter	Hydraulic Angle Coupling	"3/4" x 9/16" "
2	1	1134-5875-01	Skäringskoppling	Hydraulic Coupling	"3/4" "
3	1	1134-6039-01	Hydraulrör Smst	Hydraulic Pipe Assy	
4	1	1134-4948-01	Bricka	Washer	"1/4" "
5	1	1134-6042-01	Snabbkoppling-Hane 1/4"	Quick Coupling-Male	
6	1	9578-0028-01	Rörklammer	Tube Clamp	
7	1	9959-0825-16	Skruv	Screw	
8	1	1134-1565-09	Distans	Spacer	
9	1	1134-5809-01	Adapter	Hydraulic Coupling	"3/4" x 9/16" "
10	1	1137-0215-04	Hydraulslang	Hydraulic Hose	L = 1400 mm
11	1	1137-0195-01	Hydraulslang	Hydraulic Hose	L = 1275 mm
12	1	1137-0212-01	Hydraulslang	Hydraulic Hose	L = 1210 mm
13	1	1134-6011-01	Hydraultank Kpl	Hydraulic Oil Tank Assy	Incl. Pos. 14
14	1	1137-0272-01	Tanklock	Tank Cap	
15	2	9959-0820-16	Skruv	Screw	
16	2	112154220/0	Mutter	Nut	
17	1	1134-3203-01	Kabelgenomföring	Grommet	
18	1	1134-5943-01	Tankbygel	Tank Loop	
19	2	112154510/0	Mutter	Nut	
20	3	9578-0036-01	Slangklämma	Hose Clamp	14,6 - 17,8
21	1	1134-2779-02	Slang	Tube	L = 260 mm
22	1	9578-0023-04	Slangklämma 15*8 (Vit)	Hose Clamp	15*8
23	1	1134-5941-01	Tankkonsol 5-01	Tank Bracket	
24	3	9404-0029-01	O-Ring (16,36 X 2,21)	O-ring	
30	1	1134-6162-01	Fäste	Bracket	
31	2	9939-0612-16	Skruv	Screw	
32	2	112521330/0	Bricka	Washer	
33	1	1134-6163-01	Wire (By-Pass Urkoppling)	Wire	
34	1	112691100/0	Skruv	Screw	
35	2	112154220/0	Mutter	Nut	
36	1	1134-6084-01	Reglagekonsol	Control Bracket	
37	1	1134-6083-01	Reglagestang	Control Rod	
38	1	1134-4014-01	Plastknopp	Knob	
39	1	1134-2790-01	Kabelgenomföring	Cable Protection	
40	1	112604896/0	Starlock P6493 6	Crown Fastener	
50	1	1134-4015-01	Dragstang	Pull Rod	
51	1	1134-4014-01	Plastknopp	Knob	
56	1	112604896/0	Starlock P6493 6	Crown Fastener	



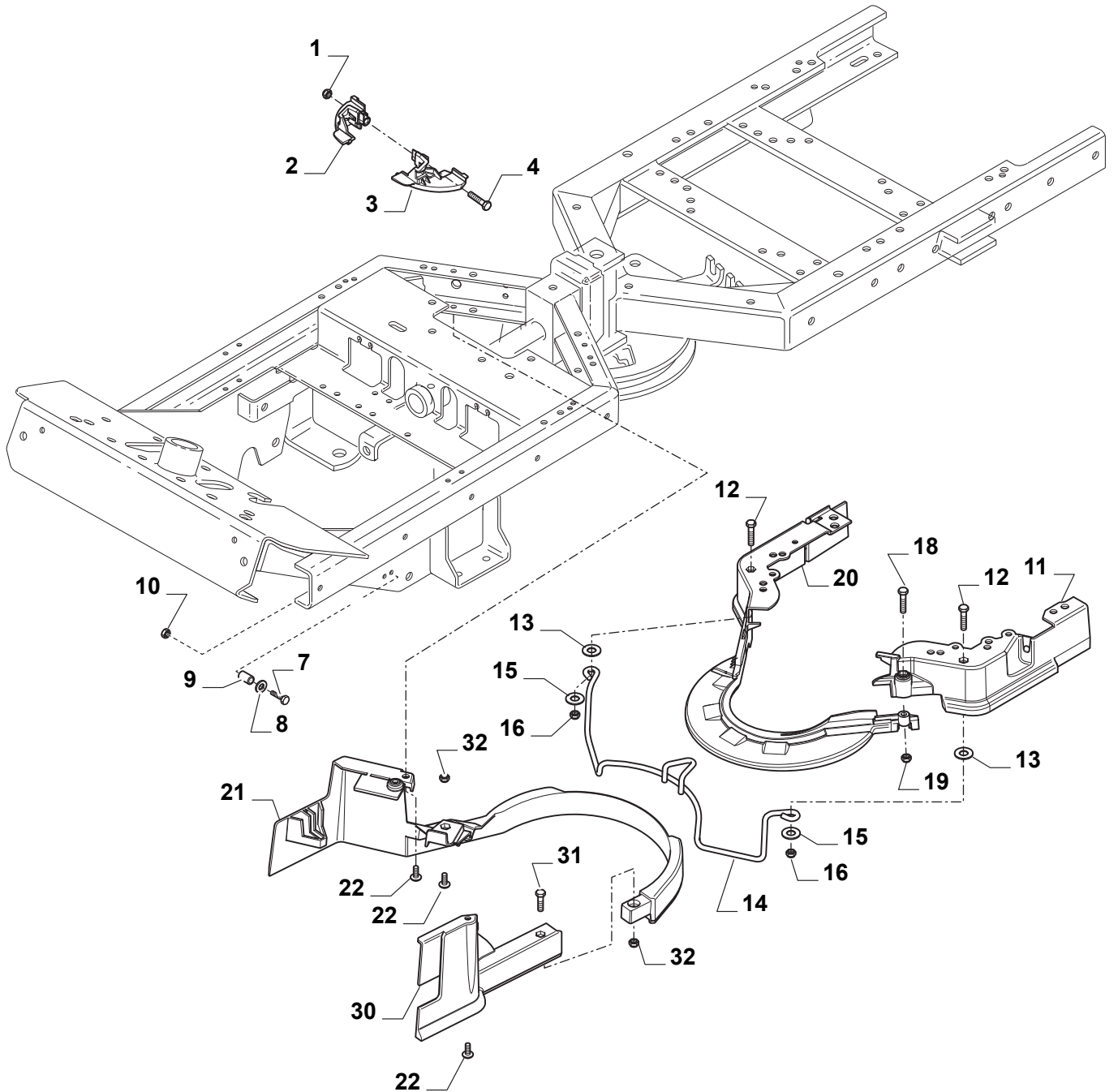
Utgåva Issue 18 - 2016		Hjul Wheels			
Pos. Fig.	Antal Q.ty	Art nr Part No	Benämning	Description	Anmärkning Notes
1	2	1134-4844-03	Hjulnav Kpl	Wheel Hub Assy	
2	2	1134-3383-02	Kil	Key	
3	2	187000454/0	Fälg	Rim	
4	2	9545-0116-00	Däck	Tyre	16 x 7.50 - 8
5	2	9545-0500-00	Ventil Kpl	Valve Assy.	
6	6	9731-1031-22	Mutter	Nut	
9	2	1134-0341-01	Bricka	Washer	
10	2	9599-0080-02	SaxSprint Sp 4*28	Cotter Pin	
11	2	1134-0341-01	Bricka	Washer	
21	2	1134-4844-02	Hjulnav Kpl	Wheel Hub Assy	
22	2	1134-2471-01	Kil	Key	
23	2	187000454/0	Fälg	Rim	
24	2	9545-0116-00	Däck	Tyre	16 x 7.50 - 8
25	2	9545-0500-00	Ventil Kpl	Valve Assy.	
26	6	9731-1031-22	Mutter	Nut	
30	2	9653-0001-04	Sparryttare Rs	Lock Ring	
31	2	1134-4796-01	Navkapsel	Hub Cap	
32	2	9947-0540-19	Skruv	Screw	
45	1	13-0993-61	Rac Snabbfäste 4Wd Park	Rac Quick Connection 4Wd	Incl. pos 9-10-46-47-48-49-50-51
46	1	1134-7465-01	Sats-Fästen (Vä+Hö Inkl Skruv)	Attachment Kit	Incl. pos 50-51
47	2	1137-0077-01	Lassprint	Locking Pin	
48	4	1134-5686-01	Bussning	Bearing	
49	2	9501-0502-00	Smörjnippel	Grease Joint	
50	2	9898-1035-16	Skruv	Screw	
51	2	9739-1031-22	Mutter	Nut	
99	4	9545-0203-00	Innerslang	Inner Tube	Reservdel/spare part



Utgåva Issue 18 - 2016		Kraftuttag Power take-off			
Pos. Fig.	Antal Q.ty	Art nr Part No	Benämning	Description	Anmärkning Notes
1	1	1134-2018-02	Spännarm Kpl 5-01 24	Tension Arm	
2	1	1134-9027-02	Spännrulle (Gra)	Tension Roller (Grey)	
3	1	1134-9173-01	Kilrem	V-Belt	contain belt 9585-0213-01
4	1	112794300/0	Skruv	Screw	
5	1	112295200/0	Mutter	Nut	
6	1	137033100/0	Bromsstang	Brake Rod	
7	1	9675-0008-02	Starlockbricka	Starlock	
8	1	1134-4170-01	Nippel	Nippel	
9	1	387318251/0	Bromsarm Kpl	Brake Arm	
10	1	1134-4164-03	Bromsklots	Brake Pad	
11	2	112521360/0	Bricka	Washer	
12	1	112818700/0	Skruv	Screw	
13	1	112155000/0	Mutter	Nut	
14	1	9699-0090-02	Bricka	Washer	
15	1	112521330/0	Bricka	Washer	
16	1	112154510/0	Mutter	Nut	
17	1	4231-0013-00	Fjäder	Spring	
18	1	1135-3307-01	Fjäder	Spring	
19	1	1134-1565-10	Distans	Spacer	
20	1	112691800/0	Skruv	Screw	
21	1	112523060/0	Bricka	Washer	
22	1	112154220/0	Mutter	Nut	
23	1	1134-4163-02	Ansatsskruv	Shoulder Bolt	
24	1	337670201/0	Bricka	Washer	
25	1	9739-1031-22	Mutter	Nut	
26	1	1134-3958-01	Remstyrning	Belt Guide	
27	2	9893-0616-16	Skruv	Screw	
28	1	1134-0041-03	Bussning	Bushing	
29	1	112794950/0	Skruv	Screw	
30	1	9739-1031-22	Mutter	Nut	
31	2	325160039/0	Distans	Spacer	
32	2	337546547/0	Plat	Plate	
33	1	112793102/0	Skruv	Screw	
34	1	112293201/0	Mutter	Nut	

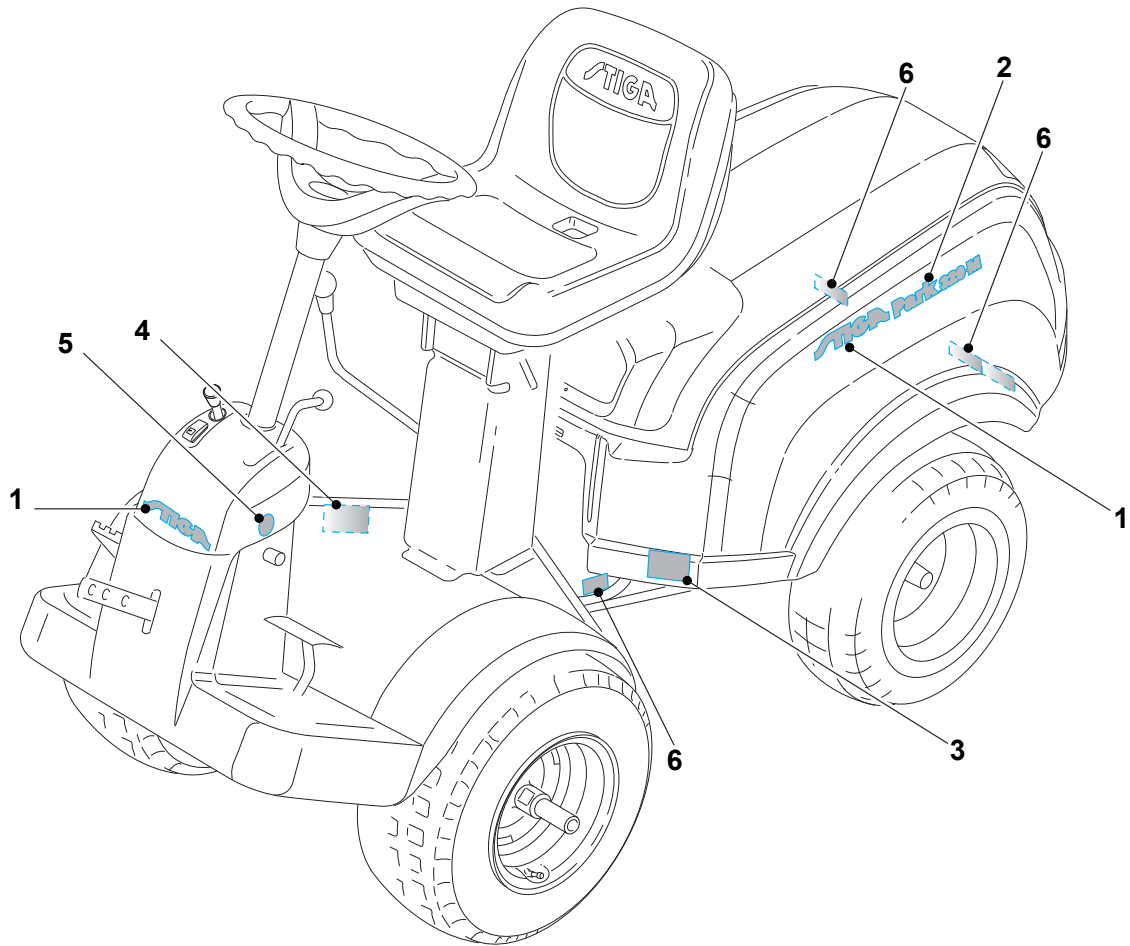


Utgåva Issue 18 - 2016		Kraftuttag Power take-off			
Pos. Fig.	Antal Q.ty	Art nr Part No	Benämning	Description	Anmärkning Notes
1	1	1134-1730-02	Spännhjularm	Tensioning Wheel Arm	
2	1	1134-3663-01	Remskiva	Tension Wheel	
3	1	1134-1888-06	Distans	Spacer	
4	1	337546545/0	Fjäder	Spring	
5	1	9739-1031-22	Mutter	Nut	
6	1	112692395/1	Skruv	Screw	
7	1	112521360/0	Bricka	Washer	
8	1	1134-5713-04	Fjäder	Spring	
9	1	1134-9098-01	Drivrem	Drive Belt	contain belt 9585-0148-01
10	1	1137-0209-01	Centrumremskiva Smst	Centre Belt Pulley	Pos 11-12 incl.
11	1	1134-0051-09	Distans	Spacer	
12	2	9549-0019-00	Kullager	Ball Bearing	
13	1	1134-5548-01	Distans	Spacer	
14	1	112521360/0	Bricka	Washer	
15	1	1134-0222-00	Bricka	Washer	
16	1	9699-0109-02	Bricka	Washer	
17	1	1134-5663-01	Axel	Shaft	
18	1	1134-0052-00	Distans	Spacer	
19	1	1137-0209-01	Centrumremskiva Smst	Centre Belt Pulley	Pos 20-21 incl.
20	1	1134-0051-09	Distans	Spacer	
21	2	9549-0019-00	Kullager	Ball Bearing	
22	1	9997-1011-06	Skruv	Screw	
23	2	9699-0030-02	Bricka	Washer	
24	1	9739-1031-22	Mutter	Nut	
25	1	1134-3654-01	Fingerskydd 5-01 24	Guard	
26	2	9959-0612-16	Skruv	Screw	
27	2	9739-0631-22	Mutter	Nut	
28	1	1134-5660-01	Spännarm Kpl 5-01	Tension Arm Assy	
29	1	1134-5823-01	Spännrulle Kpl	Tension Roller Assy	
30	1	112794900/0	Skruv	Screw	
31	1	9739-1031-22	Mutter	Nut	
32	1	1134-6314-01	Spännarmsfäste	Tension Arm Attachment	
33	1	112689515/0	Skruv	Screw	
34	1	112154510/0	Mutter	Nut	
35	1	1134-5824-01	Fjäder	Spring	
36	1	137038000/0	Bussning	Bush	
37	1	112792410/0	Skruv	Screw	
38	1	337600001/2	Skydd	Protection	
39	1	112154510/0	Mutter	Nut	
40	1	1134-5112-01	Fjäder	Spring	
41	2	9945-0816-16	Skruv	Screw	



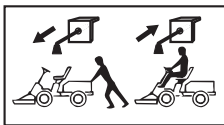


Utgåva Issue 18 - 2016		Remskydd Protection, Belt			
Pos. Fig.	Antal Q.ty	Art nr Part No	Benämning	Description	Anmärkning Notes
1	1	112154510/0	Mutter	Nut	
2	1	337600010/0	Skydd	Protection	
3	1	337600011/0	Skydd	Protection	
4	1	112792099/0	Skruv	Screw	
7	2	112735669/0	Skruv	Screw	
8	2	112523050/0	Bricka	Washer	
9	2	1134-1565-14	Distans	Spacer	
10	2	112154510/0	Mutter	Nut	
11	1	337060001/1	Remskydd	Belt Cover	
12	2	112792099/0	Skruv	Screw	
13	2	112524010/0	Bricka	Washer	
14	1	337785100/0	Fäste	Support	
15	2	112521330/0	Bricka	Washer	
16	2	112154510/0	Mutter	Nut	
18	1	112791500/0	Skruv	Screw	
19	1	112154510/0	Mutter	Nut	
20	1	337060000/1	Remskydd	Belt Cover	
21	1	337060002/0	Remskydd	Belt Cover	
22	3	9893-0616-16	Skruv	Screw	
30	1	337060004/0	Remskydd	Belt Cover	
31	1	112791500/0	Skruv	Screw	
32	2	112154510/0	Mutter	Nut	

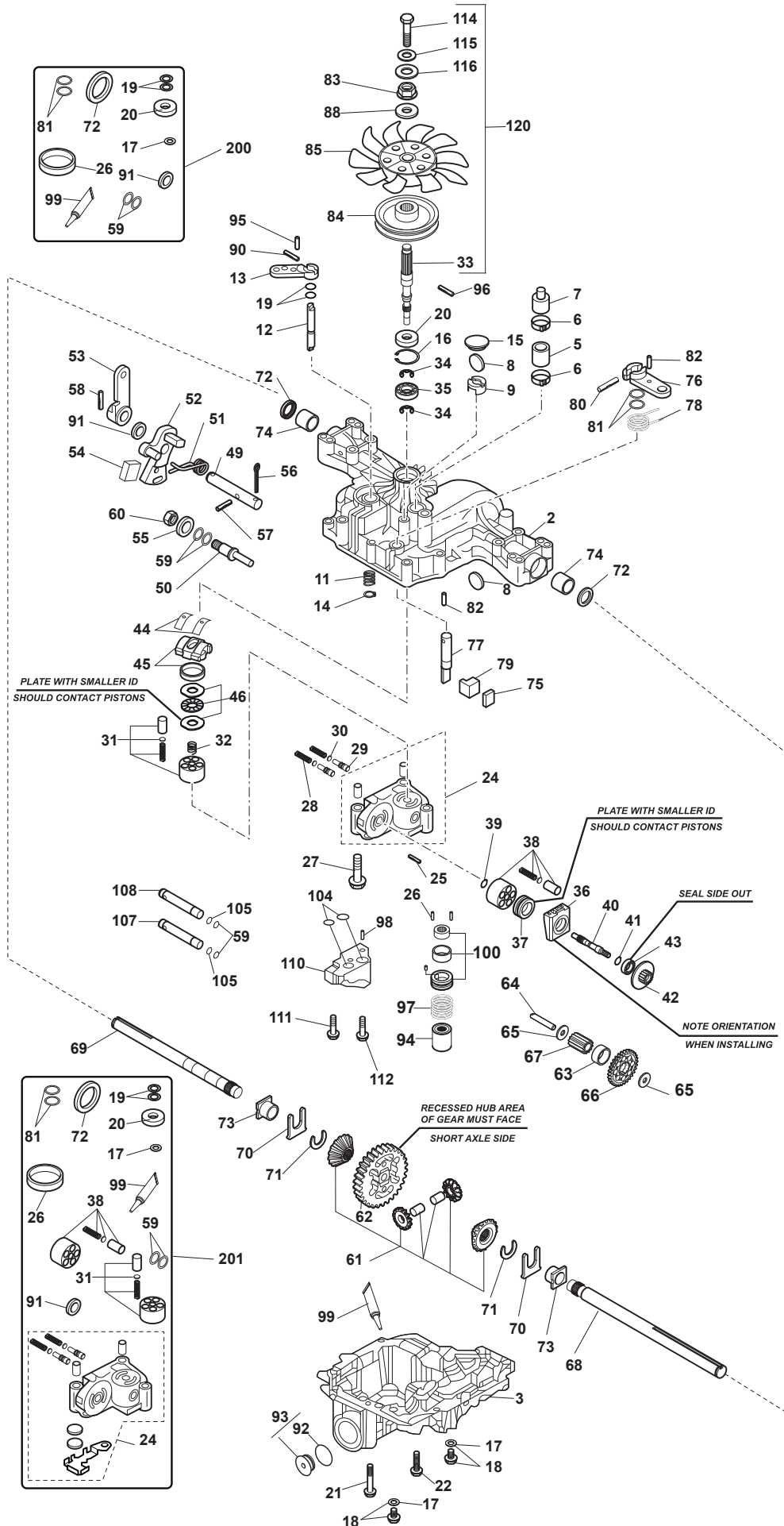


**STIGA** 1

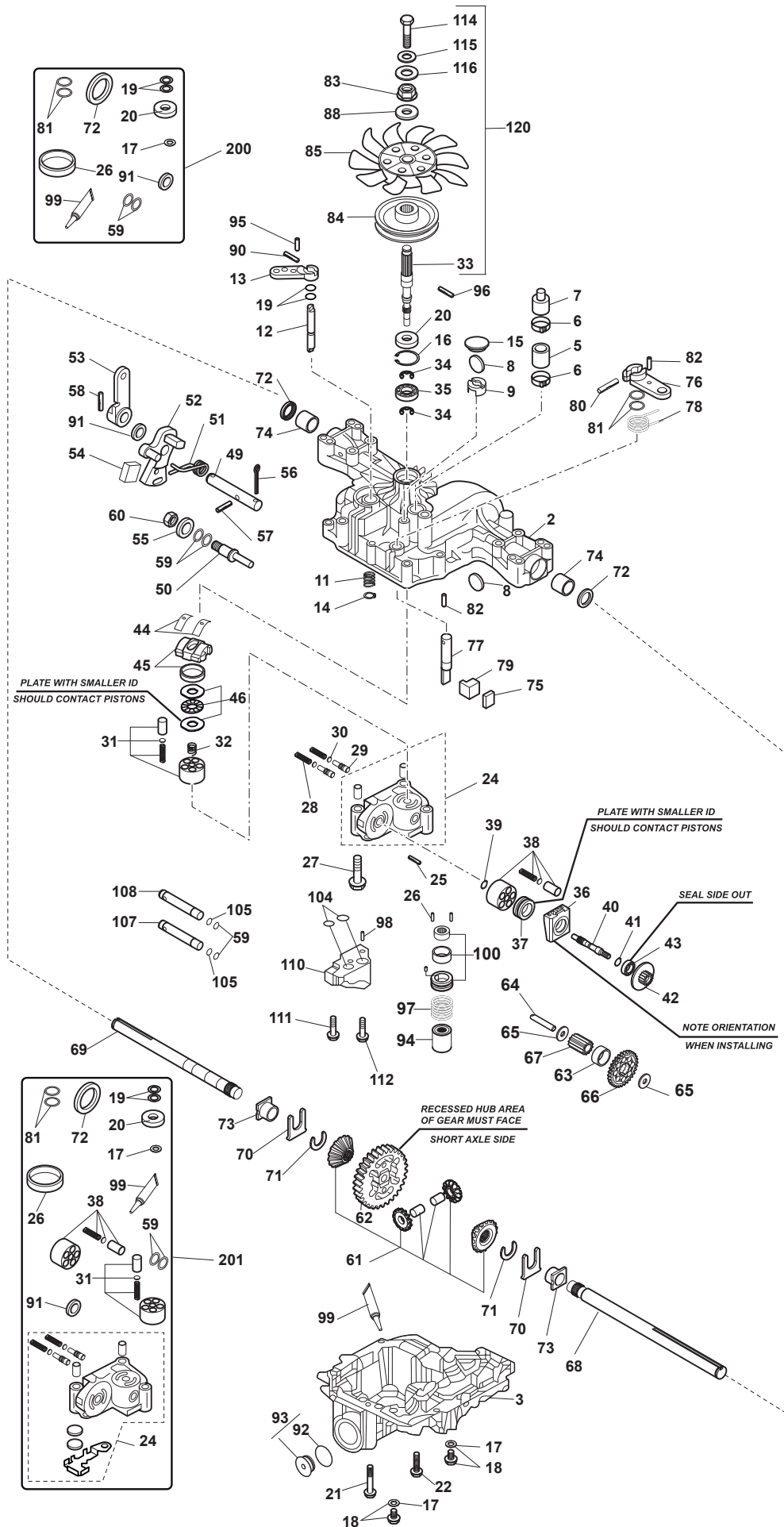
**Park** 2



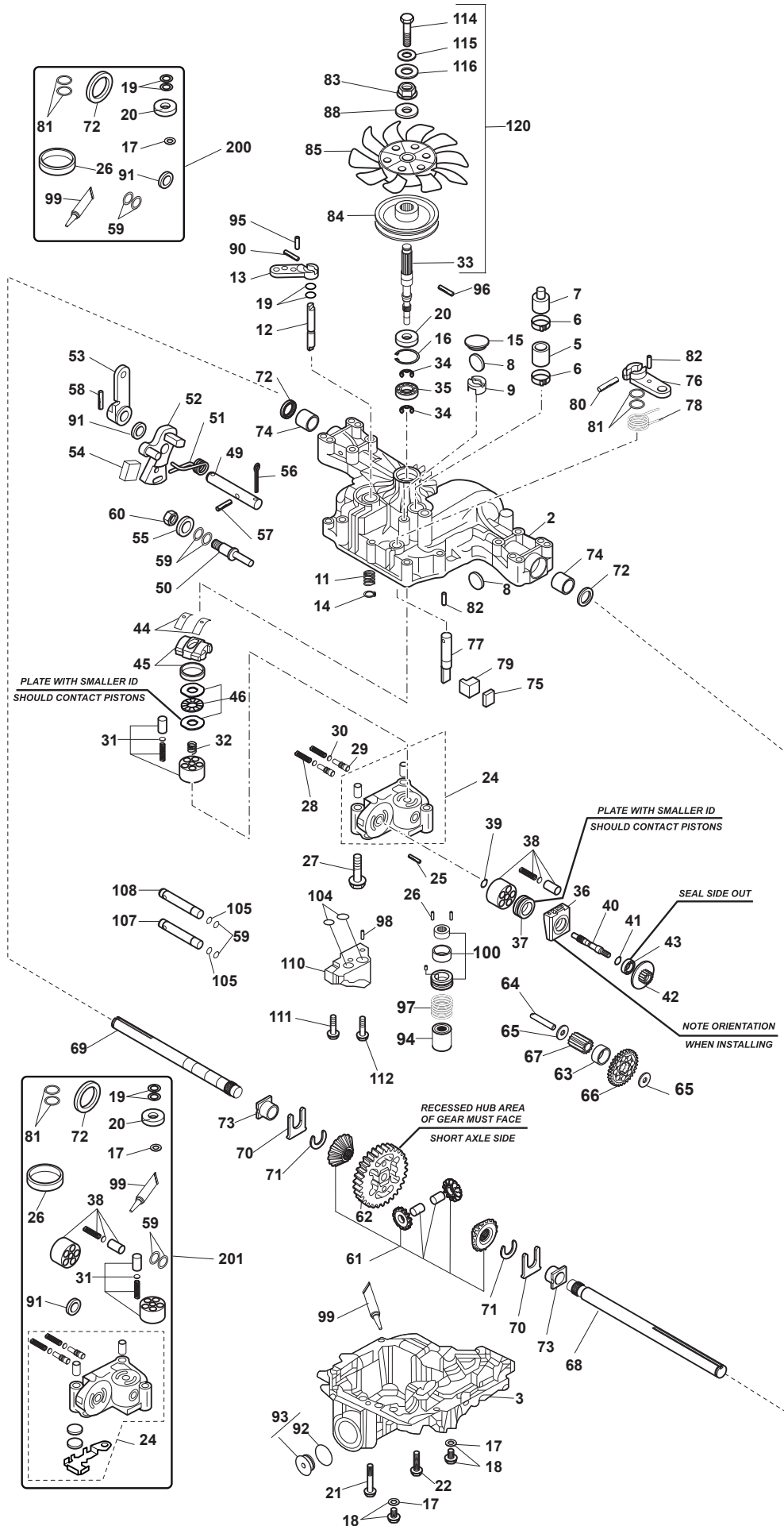
Utgåva Issue 18 - 2016		Dekaler Labels			
Pos. Fig.	Antal Q.ty	Art nr Part No	Benämning	Description	Anmärkning Notes
1	3	114367494/2	Dekal STIGA logo	Label STIGA logo	
2	2	114369314/0	Dekal Park 340 X	Label Park 340 X	Park 340 X
3	1	9402-3650-02	Dekal "Bypass" Park (Svart Tryck)	Decal By-Pass Park	
4	1	114368323/0	Dekal	Label	only 4WD models
5	1	114358460/0	Dekal	Label	
6	1	114368429/0	Dekal	Label	



Utgåva Issue 18 - 2016		Transmission			
Pos. Fig.	Antal Q.ty	Art nr Part No	Benämning	Description	Anmärkning Notes
1	1	1137-0124-01	Transaxel K574G	Transaxle K574G	Kanzaki K574G
2	1	1139-1470-01	Hus-Övre	Housing-Upper	Pos 74 incl.
3	1	1139-1457-01	Hus-Nedre	Housing-Lower	
5	1	1139-1301-01	Rör	Tube	
6	2	1139-1336-01	Slangklämma	Cobra Clip	
7	1	1139-1306-01	Adapter	Adaptor	
8	2	1139-1150-01	Magnet	Magnet	
9	1	1139-1341-01	Magnethallare	Magnet Holder	
11	1	1139-1347-01	Fjäder	Spring	
12	1	1139-1251-01	Axel	By-Pass Shaft	
13	1	1139-1189-01	Arm	By-Pass Lever	
14	1	1139-1161-01	Lasring	Ring	
15	1	1139-1275-01	Plugg	Bore Plug	
16	1	1139-1104-01	Lasring	Snap Ring	
17	2	1139-1103-01	Bricka	Washer	
18	2	1139-1500-01	Dräneringsbult-Sats	Drain Bolt Kit	Pos 17 incl.
20	1	1139-1119-01	Tätning	Seal 15*35*7	
21	4	1139-1455-01	Skruv	Screw	
22	12	1139-0244-01	Skruv	Screw	
24	1	1139-1487-01	Centrumhus	Center Case	
25	1	1139-1158-01	Stift	Pin	
26	2	1139-1497-01	Stift	Pin	
27	2	1139-1718-01	Bult	Bolt	
28	2	1139-1468-01	Ventil	Ids Valve	
29	2	1139-1243-01	Fjäder	Spring	
30	2	1139-1307-01	Filter	Filter	
31	1	1139-1356-01	Cylinderblock Kpl	Cylinder Block Kit	
32	1	1139-1245-01	Fjäder	Pump Spring	
33	1	1139-1727-01	Pumpaxel	Pump Shaft	
34	3	1139-1146-01	Lasring	Ring	
35	1	1139-1110-01	Kullager	Ball Bearing	
36	1	1139-1458-01	Hus	Housing	
37	1	1139-1438-01	Lager	Bearing	
38	1	1139-1509-01	Cylinderblock Kpl	Cylinder Block Kit	
39	1	1139-1160-01	Bricka	Washer	
40	1	1139-1353-01	Motoraxel	Motor Shaft	
41	1	1139-1021-01	Lasring	Snap Ring	
42	1	1139-1272-01	Motordrev	Motor Gear	
43	1	1139-1453-01	Lager	Bearing	
44	2	1139-1066-01	Tryckplatta	Use 1139-1141-01	
45	1	1139-1597-01	Stänkplatta	Swash Plate	
46	1	1139-1508-01	Lager	Thrust Bearing Kit	
49	1	1139-1354-01	Regleraxel	Control Shaft	
50	1	1139-1410-01	Vridcentrum	Fulcrum	
51	1	1139-1312-01	Vridfjäder	Torsion Spring	
52	1	1139-1409-01	Reglerarm	Lever	
53	1	1139-1325-01	Reglerarm	Control Lever	
54	1	1139-1596-01	Ryckplatta	Jerky Plate	
55	1	1139-1102-01	Bricka	Washer	

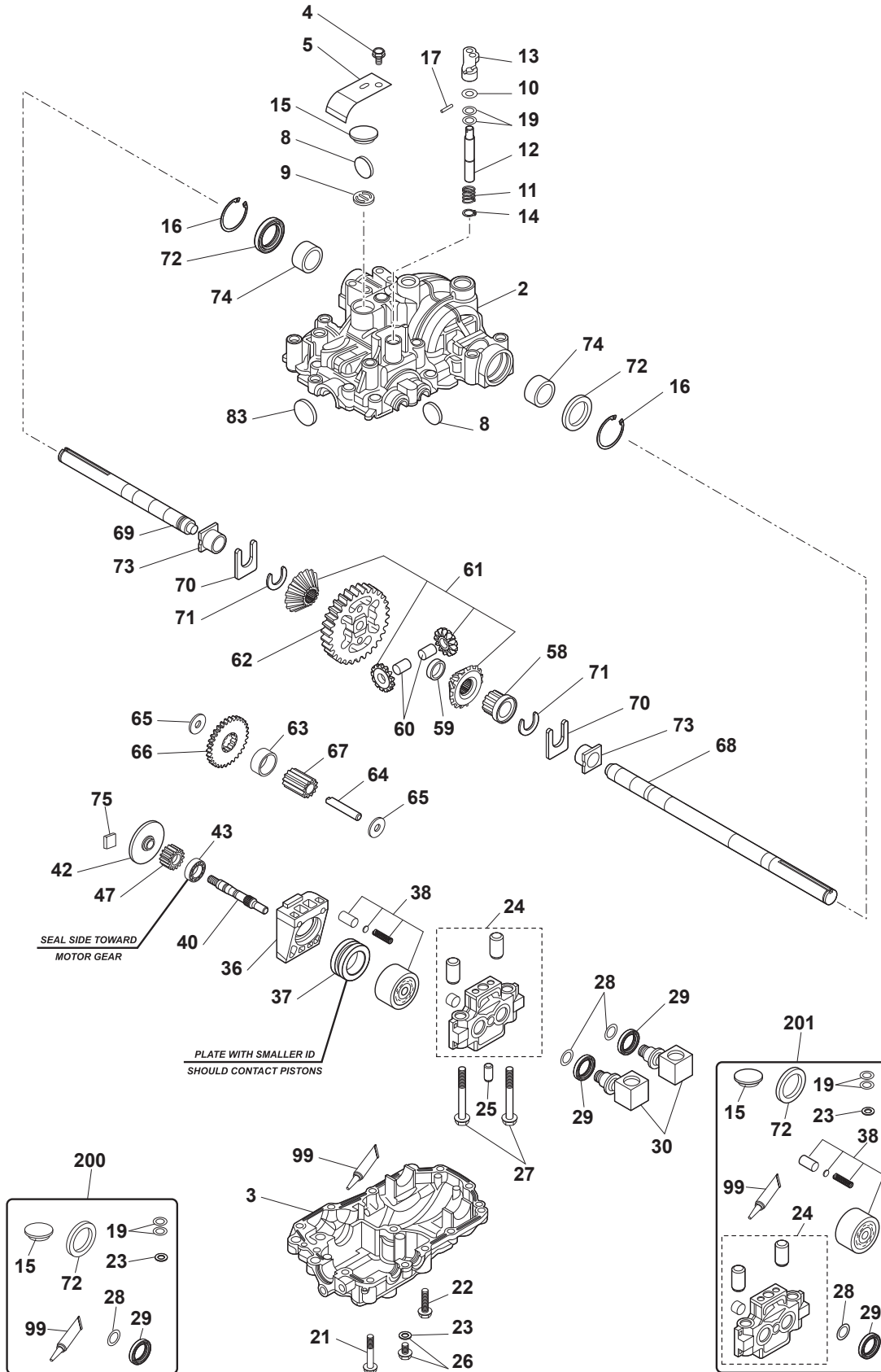


Utgåva Issue 18 - 2016		Transmission		Transmission	
Pos. Fig.	Antal Q.ty	Art nr Part No	Benämning	Description	Anmärkning Notes
56	1	1139-1355-01	LasSprint	Cotter Pin	
57	1	1139-1329-01	Stift	Pin	
58	1	1139-1285-01	Stift	Pin	
60	1	1139-1127-01	Mutter	Nut	
61	1	1139-1404-01	Differentialdrev Kpl	Diff.Gear Kit	
62	1	1139-1258-01	Slutdrev	Final Gear	
63	1	1139-1255-01	Hylsa	Collar	
64	1	1139-1256-01	reduktionsaxel	Reduction Shaft	
65	2	1139-1398-01	Bricka	Washer	
66	1	1139-1267-01	Reduktionsdrev	Reduction Gear	
67	1	1139-1361-01	Slutdrev	Final Pinion Gear	
68	1	1139-1344-01	Hjulaxel Vä	Axle Shaft-L	
69	1	1139-1345-01	Hjulaxel Hö	Axle Shaft-R	
70	2	1139-1078-01	Bricka	Thrust Washer	
71	2	1139-1163-01	Lasring	Ring	
72	2	1139-1080-01	Tätning	Seal 19*32*8	
73	2	1139-1164-01	Bussning	Bushing	
74	2	1139-1414-01	Bussning	Bushing	
75	1	1139-1260-01	Bromssko	Brake Shoe	
76	1	1139-1261-01	Bromsarm	Brake Arm	
77	1	1139-1320-01	Bromsaxel	Brake Shaft	
78	1	1139-1411-01	Returfjäder	Return Spring	
79	1	1139-1264-01	Tryckplatta	Brake Actuator	
80	1	1139-1282-01	Stift	Pin	
82	2	1139-1281-01	Stift	Pin	
83	2	1139-1248-01	Krage	Spline Collar	
84	1	1139-1469-01	Remskiva	Pulley	
85	1	1134-4190-01	Fläkt	Fan	
88	1	1139-1276-01	Bricka	Collar	
89	4	1139-1166-01	Stift	Pin	
90	1	1139-1280-01	Stift	Pin	
91	1	1139-1303-01	Tätning	Seal Ring	
92	1	1139-1534-01	O-Ring	O-Ring	
93	1	1139-1510-01	Lock	Cap Kit	Pos 92 incl.
94	1	1139-1488-01	Filter	Filter	
95	1	1139-1279-01	Stift	Pin	
96	1	1139-1148-01	Stift	Pin	
97	1	1139-1492-01	Fjäder	Charge Spring	
98	1	1139-1496-01	Stift	Pin	
99	1	1139-1443-01	Tätning	Sealant (Tube)	
100	1	1139-1608-01	Pump	Charge Pump Kit	Pos 101 - 102 incl.
104	1	1139-1013-01	O-Ring	O-Ring	
105	2	1139-0239-01	Packning	Packing	
107	1	1139-1459-01	Nippel	Piping	
108	1	1139-1460-01	Nippel	Piping	
110	1	1139-1505-01	Hydraulportblock	Hydraulic Port Block	
111	1	1139-1472-01	Bult	Bolt	
112	1	1139-1473-01	Bult	Bolt	
113	1	1139-1471-01	Bult	Bolt	

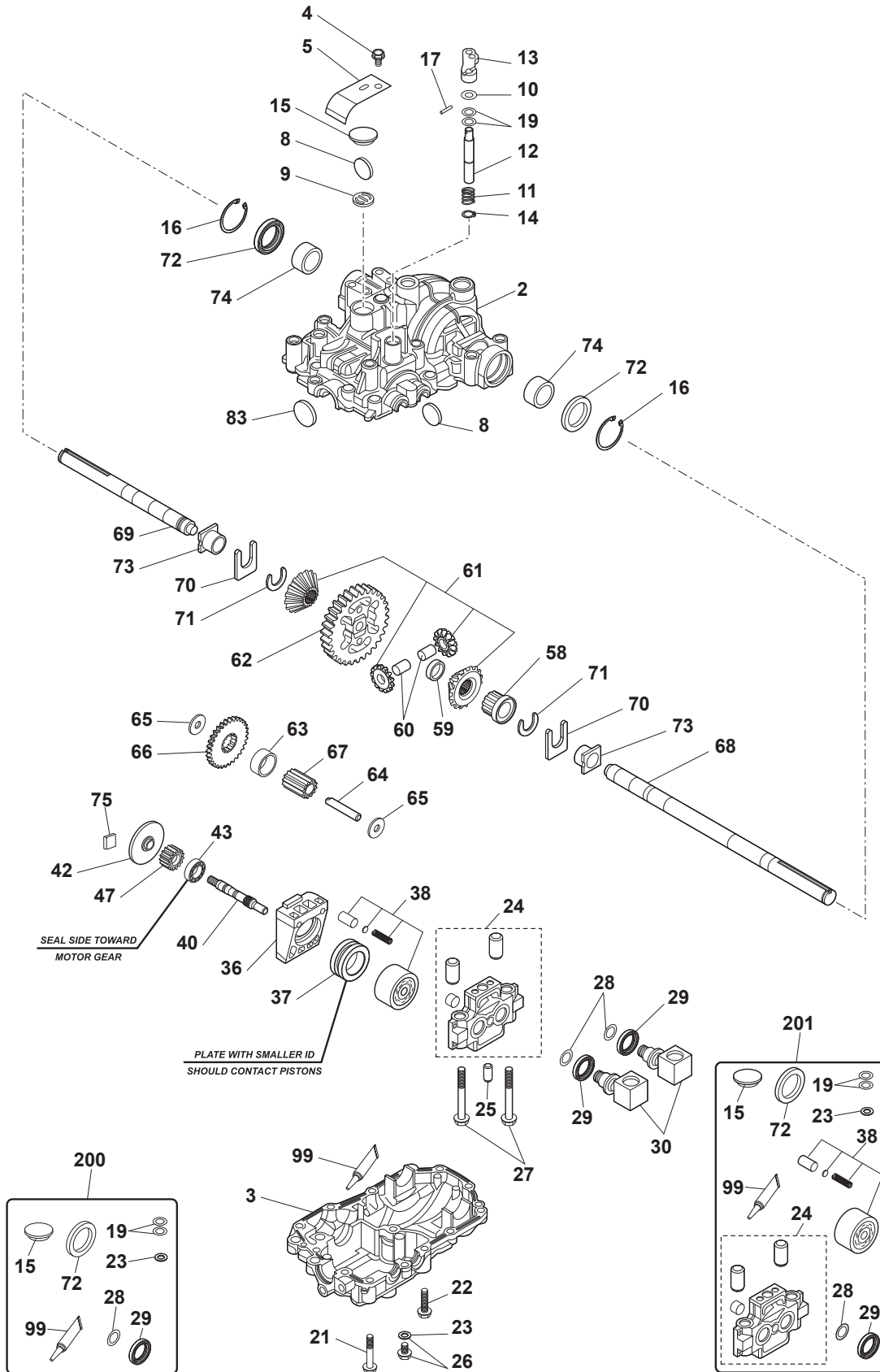




Utgåva Issue 18 - 2016		Transmission			
Pos. Fig.	Antal Q.ty	Art nr Part No	Benämning	Description	Anmärkning Notes
114	1	1139-1719-01	Bult	Bolt	
115	1	1139-1720-01	Bricka	Washer	
116	1	1139-1721-01	Bricka	Washer	
120	1	1139-1726-01	Pumpaxel Kpl	Pump Shaft Kit	Pos 33, 114 - 116 incl.
200	1	1139-1506-01	Tätningssats	Seal Kit	
201	1	1139-1507-01	Reparationssats	Repair Kit	



Utgåva Issue 18 - 2016		Transmission		Transmission	
Pos. Fig.	Antal Q.ty	Art nr Part No	Benämning	Description	Anmärkning Notes
1	1	1134-6029-01	Motoraxel-Främre (Ktm10M)	Front Motor Unit (Ktm10M)	Kanzaki KTM 10M/ KTM10M/
2	1	1139-1417-01	Hus-Övre	Housing-Upper	Pos 74 incl./KTM10M/
2	1	1139-1604-01	Hus-Övre	Housing Assy-Upper	Pos 74 incl.
3	1	1139-1418-01	Hus-Nedre	Housing-Lower	/KTM10M/
4	1	1139-1123-01	Bult	Bolt	/KTM10M/
5	1	1139-1384-01	Glidplat	Skid Plate	/KTM10M/
5	1	1139-1603-01	Glidplat	Skid Plate	
8	2	1139-1150-01	Magnet	Magnet	
9	1	1139-1341-01	Magnethallare	Magnet Holder	/KTM10M/
10	1	1139-1388-01	Bricka	Washer	/KTM10M/
11	1	1139-1421-01	Fjäder	Spring	/KTM10M/
12	1	1139-1420-01	By-Passaxel	By-Pass Shaft	/KTM10M/
13	1	1139-1189-01	Arm	By-Pass Lever	/KTM10M/
14	1	1139-1391-01	Lasring	Ring	/KTM10M/
15	1	1139-1275-01	Plugg	Bore Plug	
15	1	1139-1397-01	Tätningshuv	Sealing Cap	/KTM10M/
16	2	1139-1444-01	Lasring	Ring	
17	1	1139-1280-01	Stift	Pin	/KTM10M/
19	2	1139-1114-01	O-Ring	O-Ring	
21	3	1139-1291-01	Bult	Bolt	
22	11	1139-1448-01	Bult	Bolt	
23	1	1139-1103-01	Bricka	Washer	/KTM10M/
24	1	1139-1419-01	Centrumhus	Center Case	/KTM10M/
24	1	1139-1503-01	Centrumhus	Center Case	/KTM10M/
24	1	1139-1723-01	Centrumhus Kpl	Center Case Assy	
25	1	1139-1445-01	Stift	Pin	/KTM10M/
26	1	1139-1500-01	Dräneringsbult-Sats	Drain Bolt Kit	/KTM10M/
27	2	1139-1449-01	Bult	Bolt	
28	2	1139-1446-01	Packning	Packing	
29	2	1139-1447-01	Tätningring	Seal	
30	2	1139-1424-01	Anslutning	Connector	
36	1	1139-1422-01	Hus	Housing	/KTM10M/
36	1	1139-1504-01	Motorhus	Motor Housing	/KTM10M/
37	1	1139-1438-01	Lager	Bearing	/KTM10M/
38	1	1139-1139-01	Cylinderblock Kpl	Cylinder Block Assy	/KTM10M/
38	1	1139-1509-01	Cylinderblock Kpl	Cylinder Block Kit	/KTM10M/
40	1	1139-1425-01	Motoraxel	Motor Shaft	/KTM10M/
42	1	1139-1451-01	Bromsskiva	Brake Disc	/KTM10M/
43	1	1139-1453-01	Lager	Bearing	/KTM10M/
47	1	1139-1426-01	Motordrev	Motor Gear	/KTM10M/
58	1	1139-1330-01	Hylsa	Collar	/KTM10M/
59	1	1139-1435-01	Hylsa	Collar, Axle	/KTM10M/
60	1	1139-1440-01	Stift	Pin	/KTM10M/
61	1	1139-1439-01	Differentialdrev	Differential Gear Kit	/KTM10M/
62	1	1139-1429-01	Slutdrev	Final Gear	/KTM10M/
63	1	1139-1427-01	Hylsa	Collar	/KTM10M/
64	1	1139-1256-01	röduktionsaxel	Reduction Shaft	/KTM10M/
65	2	1139-1398-01	Bricka	Washer	



Utgåva Issue 18 - 2016		Transmission			
Pos. Fig.	Antal Q.ty	Art nr Part No	Benämning	Description	Anmärkning Notes
66	1	1139-1430-01	Reduktionsdrev	Reduction Gear	/KTM10M/
67	1	1139-1361-01	Slutdrev	Final Pinion Gear	/KTM10M/
68	1	1139-1432-01	Hjulaxel	Axle	/KTM10M/
69	1	1139-1431-01	Hjulaxel	Axle	/KTM10M/
70	2	1139-1194-01	Bricka	Thrust Washer	
71	2	1139-1155-01	Lasring	Ring	
72	2	1139-1044-01	Tätning	Seal 25.4*42*8	
73	2	1139-1156-01	Bussning	Bushing	
74	2	1139-1415-01	Bussning	Bushing	
75	1	1139-1260-01	Bromssko	Brake Shoe	/KTM10M/
83	1	1139-1450-01	Tätningshuv	Sealing Cap	/KTM10M/
99	1	1139-1443-01	Tätningmedel	Sealant (Tube)	/KTM10M/
200	1	1139-1436-01	Servicesats	Seal Kit	/KTM10M/









code	pos.	q.ty	page
112791500/0	18	1	p. 33
112791500/0	18	2	p. 9
112791500/0	31	1	p. 33
112792099/0	4	1	p. 33
112792099/0	12	2	p. 33
112792410/0	37	1	p. 31
112793102/0	12	2	p. 3
112793102/0	33	1	p. 29
112793102/0	54	1	p. 13
112794300/0	4	1	p. 29
112794900/0	30	1	p. 31
112794950/0	29	1	p. 29
112815200/0	50	2	p. 5
112818700/0	12	1	p. 29
114358460/0	5	1	p. 35
114367494/2	1	3	p. 35
114368323/0	4	1	p. 35
114368429/0	6	1	p. 35
114369182/0	17	1	p. 7
114369314/0	2	2	p. 35
118736112/0	6	1	p. 19
133320027/0	16	15	p. 19
133320027/0	29	1	p. 21
137033100/0	6	1	p. 29
137038000/0	36	1	p. 31
137160001/0	23	1	p. 11
137722604/0	2	1	p. 11
187000454/0	3	2	p. 27
187000454/0	23	2	p. 27
187040308/0	2	1	p. 19
187593701/0	52	1	p. 13
325160039/0	31	2	p. 29
337060000/1	20	1	p. 33
337060001/1	11	1	p. 33
337060002/0	21	1	p. 33
337060004/0	30	1	p. 33
337110321/0	43	1	p. 5
337110331/0	45	1	p. 5
337110332/0	46	1	p. 5
337110334/0	6	1	p. 5
337110335/0	8	1	p. 5
337110336/0	7	1	p. 5
337491254/0	32	1	p. 5
337491255/0	31	1	p. 5
337502508/0	39	1	p. 5
337502509/0	38	1	p. 5
337546545/0	4	1	p. 31
337546547/0	32	2	p. 29
337580302/0	10	2	p. 5
337580550/0	53	1	p. 13
337600001/2	38	1	p. 31
337600010/0	2	1	p. 33
337600011/0	3	1	p. 33
337670201/0	24	1	p. 29
337785100/0	14	1	p. 33
337961200/0	51	1	p. 13
387256053/0	15	1	p. 9
387318251/0	9	1	p. 29
387457003/0	24	1	p. 7
387520125/0	34	1	p. 13
387520127/0	57	1	p. 13
387602503/0	51	1	p. 7
387800013/0	1	1	p. 7