

STIGA

Reservdelskatalog Parts Catalogue

Park 540 DPX

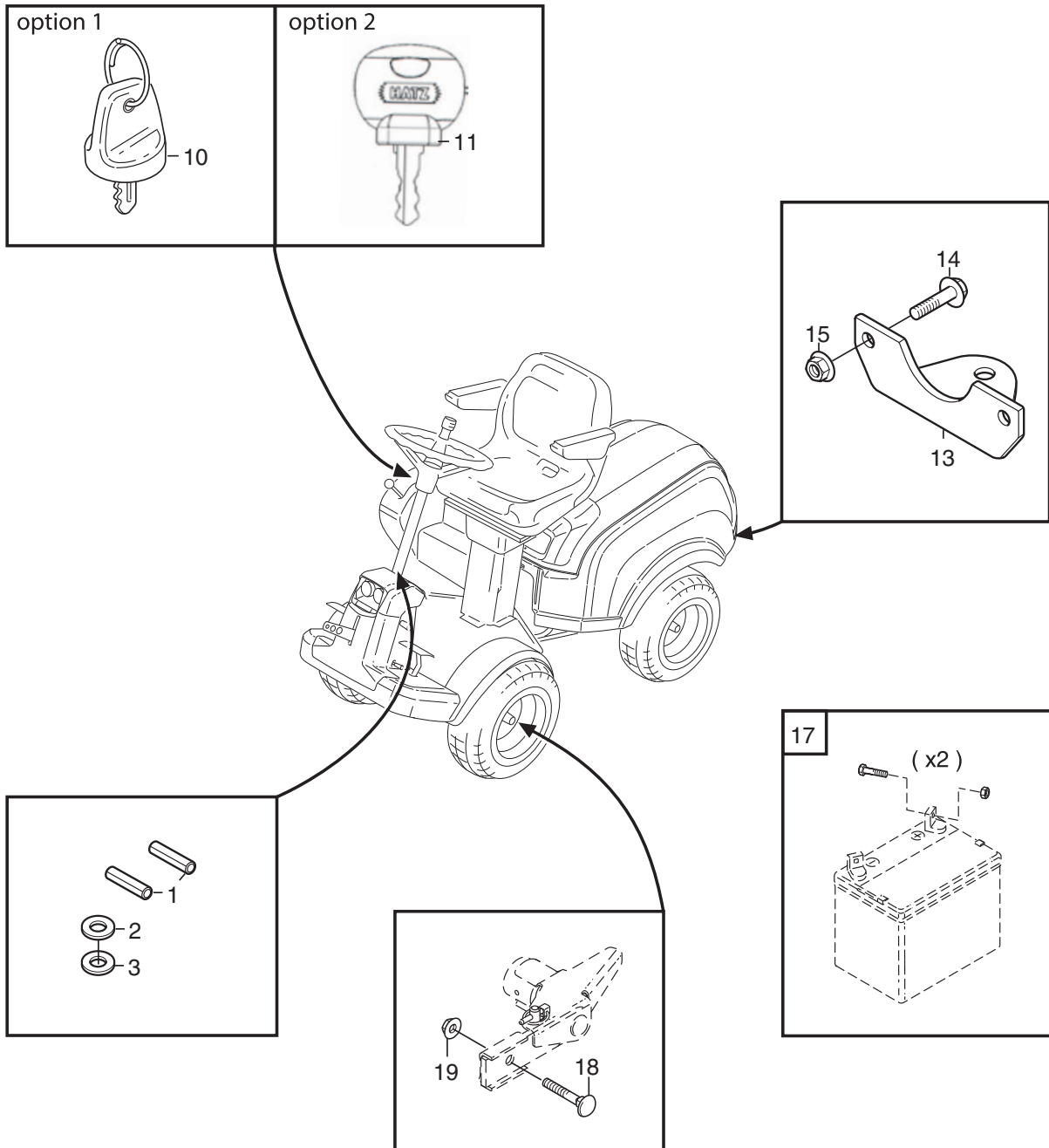
13-6319-31 - Season 2015

- Use GLOBAL GARDEN PRODUCT Genuine Spare Parts specified in the parts list for repair and/or replacement.
 - The contents described in the parts list may change due to improvement.
 - The drawings of the spare parts are only indicative and might not represent the part in question exactly.
 - The indications "right" - "left" - "front" - "rear" refer to the position of the operator when using the machine.
- When placing orders of parts for repair and/or replacement, make sure that the illustrated parts list is the one applying to the machine's year of manufacture, as shown on the identification plate attached to the machine.

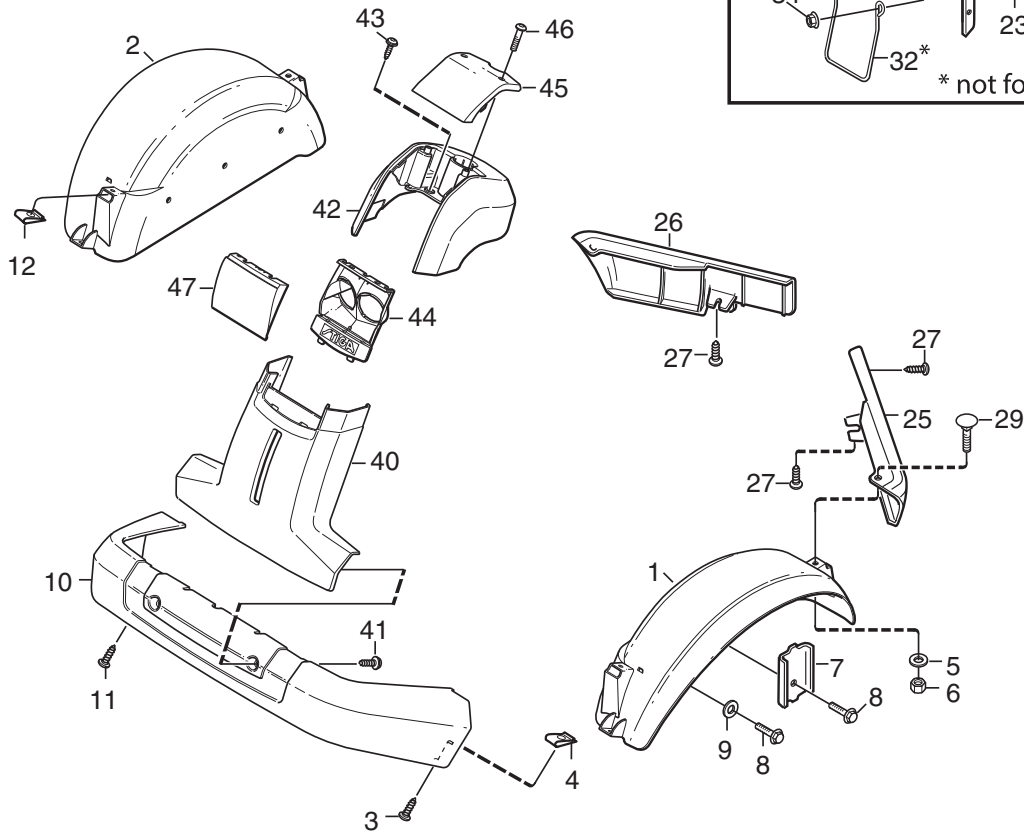
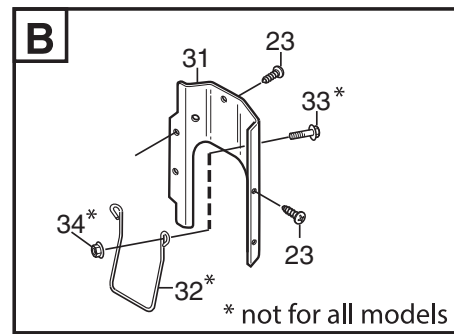
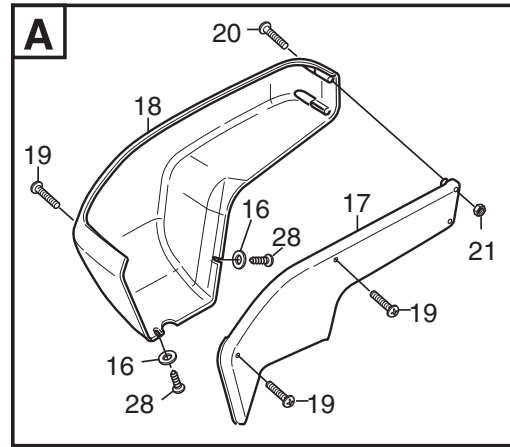
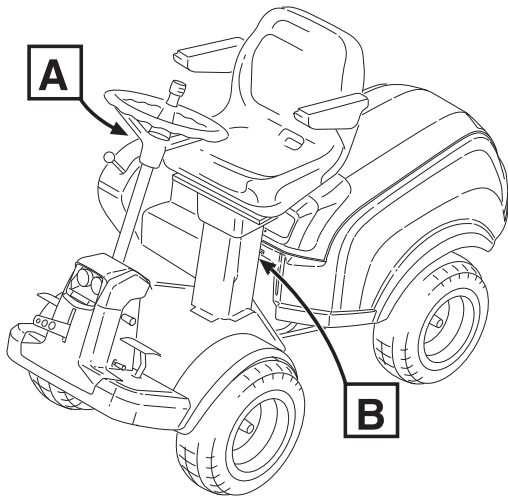
© Copyright 2015 Global Garden Products

All rights reserved. No part of this material may be reproduced or transmitted, in any form or by any means, electronic or mechanical, including photocopying, recording or by any information storage and retrieval system, without permission in writing from GLOBAL GARDEN PRODUCTS.

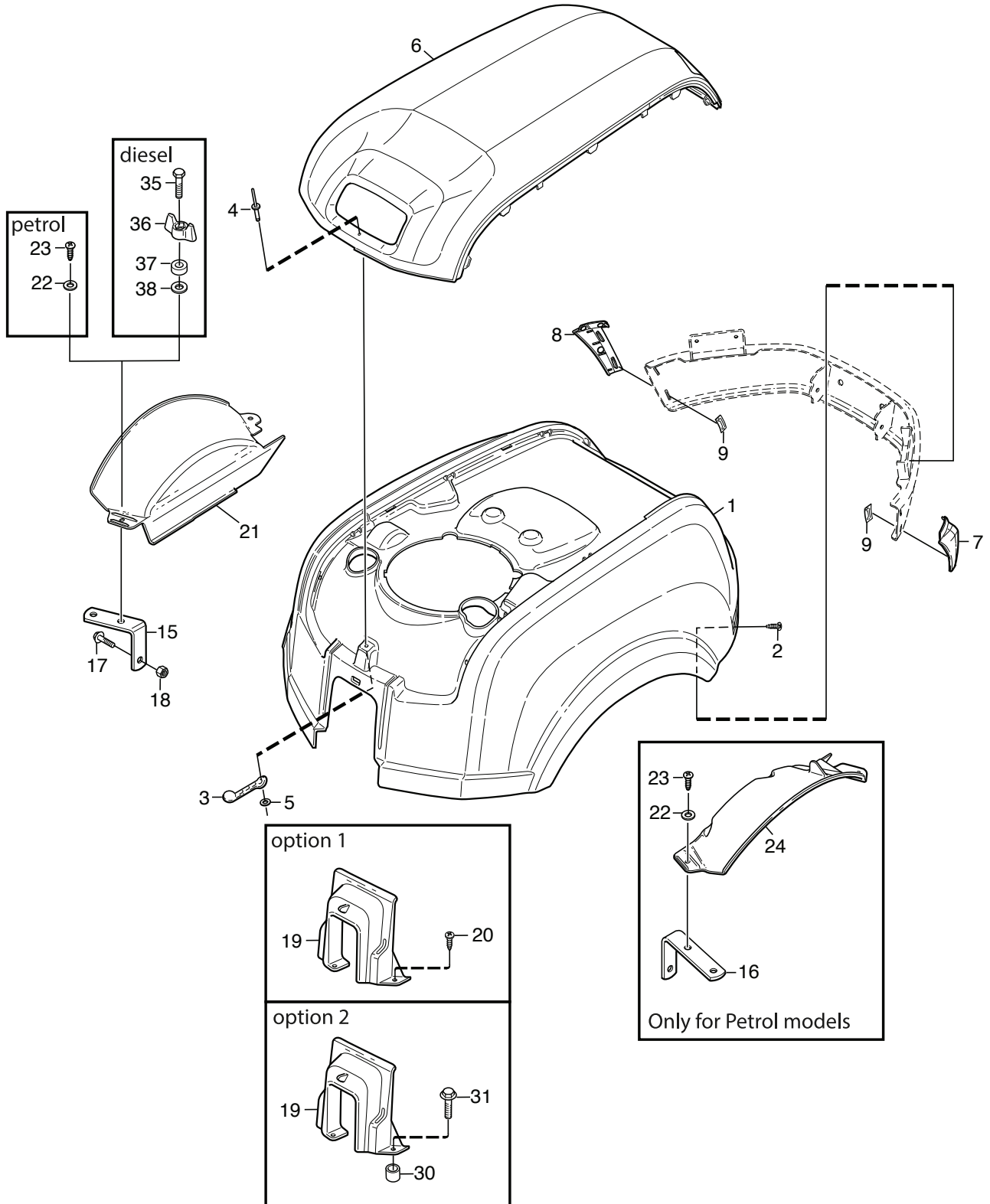
www.stiga.com



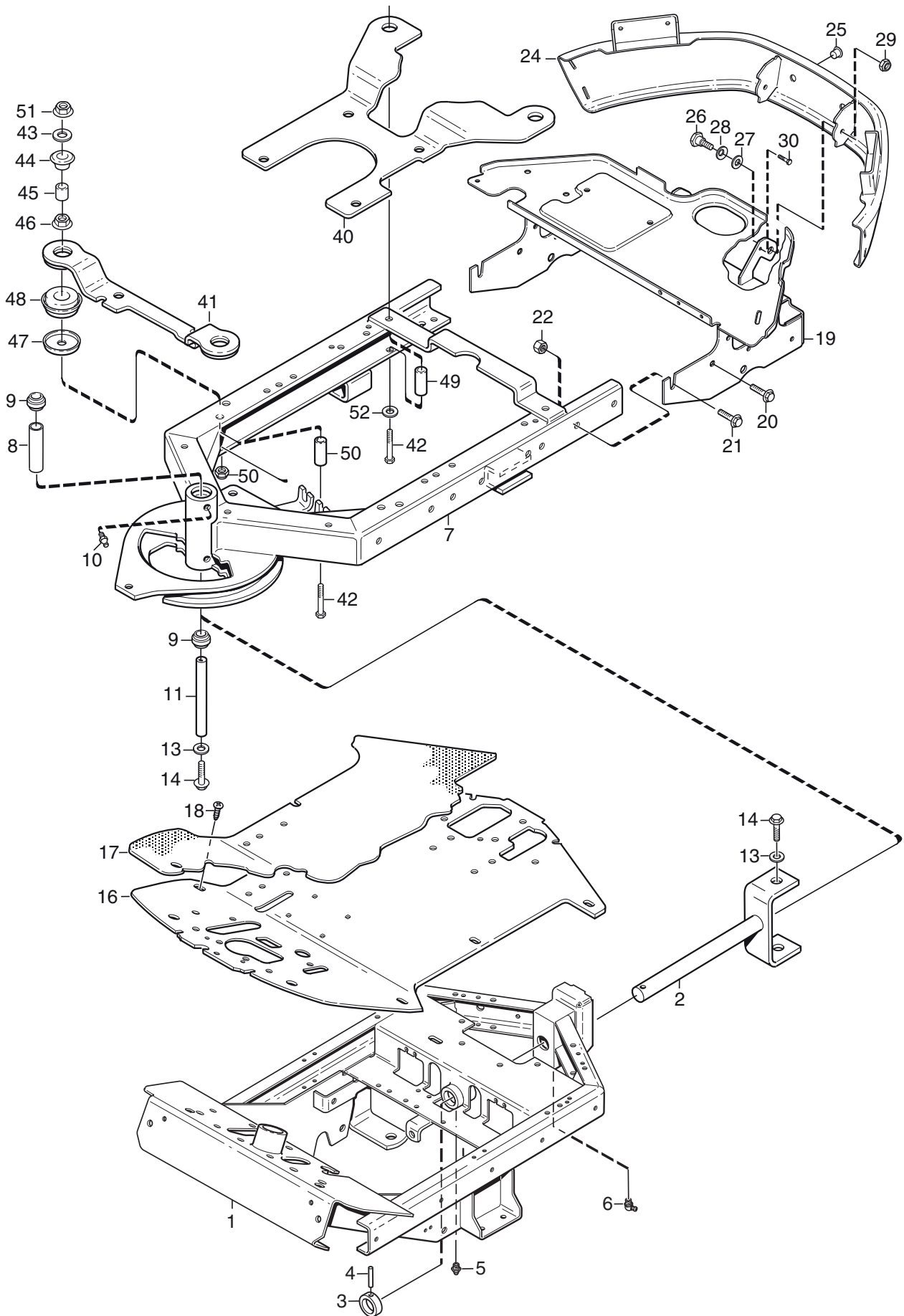
Utgåva Issue 11 - 2015		Monteringsdetaljer Assembly parts			
Pos. Fig.	Antal Q.ty	Art nr Part No	Benämning	Description	Anmärkning Notes
1	2	9595-0262-00	Spännstift	Locating Pin	0.5 mm
2	1	9699-0103-02	Bricka	Washer	1.0 mm
3	1	9699-0114-02	Bricka	Washer	1.0 mm
10	2	1134-4734-01	Tändningsnyckel	Ignition Key	
11	1	118210027/0	Tändningsnyckel	Ignition Key	only for Diesel models
13	1	1134-5512-01	Dragplat5-01	Towing Plate	
14	2	9959-0820-16	Skruv	Screw	
15	2	112154220/0	Mutter	Nut	
17	1	1134-6113-02	Skruv	Screw	
18	2	9898-1035-16	Skruv	Screw	
19	2	9739-1031-22	Mutter	Nut	



Utgåva Issue 11 - 2015		Kaross Body works			
Pos. Fig.	Antal Q.ty	Art nr Part No	Benämning	Description	Anmärkning Notes
1	1	1137-0048-01	Framskärm-Vä	Mud Guard, Front-Lh	
2	1	1137-0048-02	Framskärm-Hö	Mud Guard, Front-Rh	
3	2	9893-0616-16	Skruv Relä	Screw Relay	
4	2	1134-4176-01	Clips	Clips	
5	2	9699-0060-02	Bricka	Washer	
6	2	112154510/0	Mutter	Nut	
7	2	1137-0088-01	Stödplat	Support Plate	
8	6	9945-0816-16	Skruv	Screw	
9	4	112523060/0	Bricka	Washer	
10	1	1137-0049-01	Stötfangare-Fram	Front Bumper	
11	6	9893-0616-16	Skruv Relä	Screw Relay	
12	2	1134-4176-01	Clips	Clips	
16	2	9699-0099-02	Bricka	Washer	
17	1	1134-4360-01	Kapa-Inre (1-00)	Cover-Inner	
18	1	1134-3979-01	Kapa Yttre1-00	Cover-Outer	
19	3	9946-0525-16	Skruv	Screw	
20	2	9950-0570-12	Skruv	Screw	
21	2	112154330/0	Mutter	Nut	
23	4	9893-0616-16	Skruv Relä	Screw Relay	
25	1	1134-3970-05	Kantlist-Vä (Gra) 7-14	Moulding-Left (Grey)	
26	1	1134-3970-02	Kantlist-Hö (Gra) 7-14	Moulding Right-Grey	
27	4	9893-0616-16	Skruv Relä	Screw Relay	
28	2	9840-8013-16	Skruv	Screw	
29	2	112815200/0	Skruv	Screw	
31	1	1134-6461-01	Bakstycke 1-00	Rear Plate	
32	1	1134-6460-01	Skyddsbygel	Protective Loop	not in all models
33	2	9959-0820-16	Skruv	Screw	not in all models
34	2	112154220/0	Mutter	Nut	not in all models
40	1	1137-0050-01	Frontkapa-Nedre	Front Panel-Lower	
41	2	112728697/0	Skruv	Screw	
42	1	1137-0051-01	Frontkapa-Övre	Front Panel-Upper	
43	2	9946-0525-16	Skruv	Screw	
44	1	1137-0052-01	Lamphallare	Lamp Holder	
45	1	1137-0053-01	Toppkapa	Top Panel	
46	2	112728697/0	Skruv	Screw	
47	1	1137-0054-01	Lampglas	Lamp Glass	

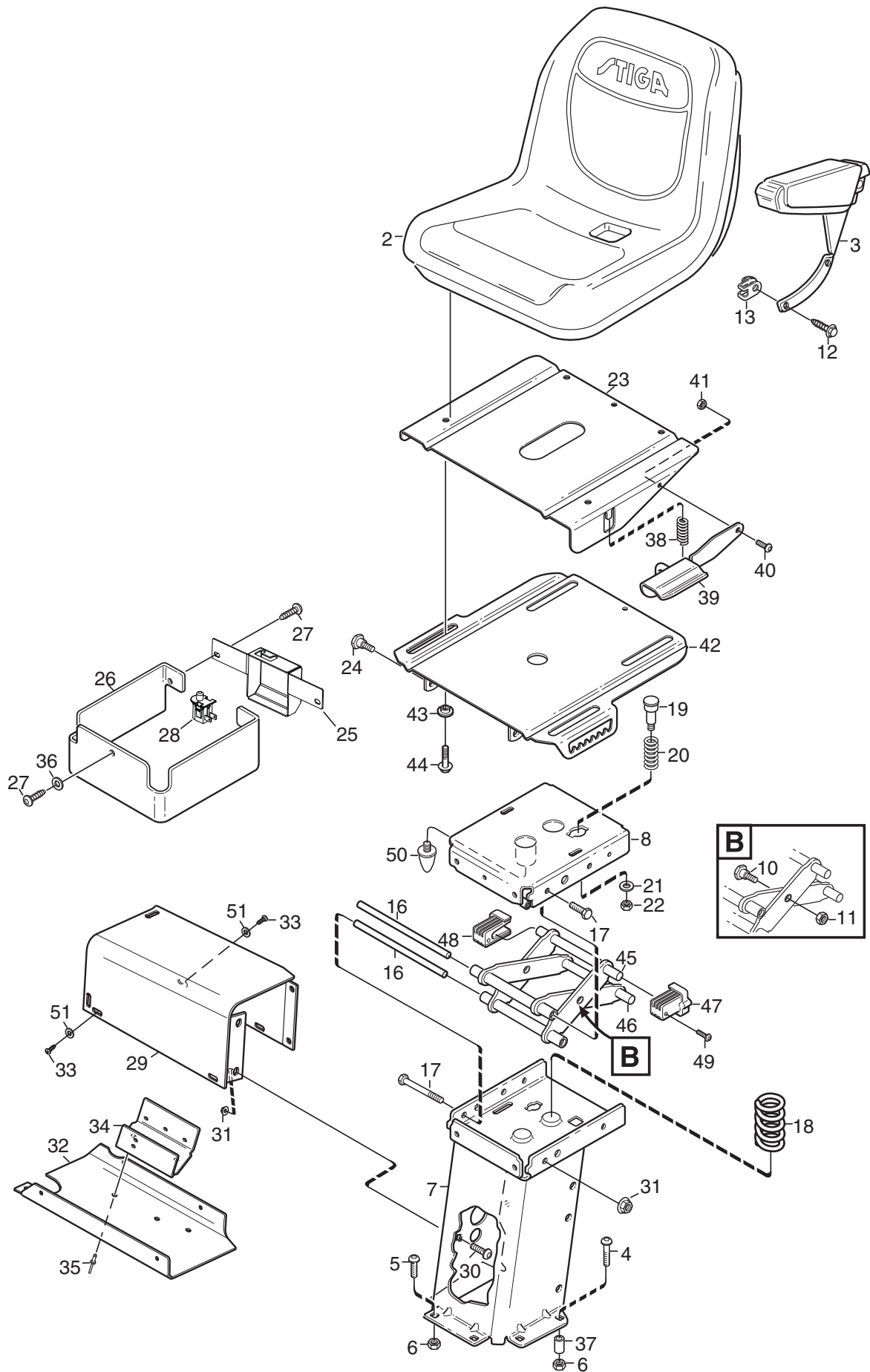


Utgåva Issue 11 - 2015		Kaross Body works			
Pos. Fig.	Antal Q.ty	Art nr Part No	Benämning	Description	Anmärkning Notes
1	1	1134-6025-01	Motorhuv(1-00)	Engine Hood	
2	4	9893-0616-16	Skruv Relä	Screw Relay	
3	1	1134-9028-01	Gummistropp (3 St)	Rubber Strap (3 Pcs)	Sats 3 st/kit of 3
4	1	9632-0513-00	Popnit1 -0420 Bs [Tap/D Bs] 3,2X20	Pop Rivet	
5	1	9699-0120-02	Bricka	Washer	
6	1	1134-6026-01	Motorlucka (7-14)	Engine Cover	
7	1	1134-6027-01	Ändavslut Stötfangare-Vä	Bumper End-Lh	
8	1	1134-6027-02	Ändavslut Stötfangare-Hö	Bumper End-Rh	
9	4	1134-6310-01	Clips	Clip	
15	1	1134-4012-03	Stöd-Hö	Support, Right	
17	1	9959-0820-16	Skruv	Screw	
18	1	112154220/0	Mutter	Nut	
19	1	112154220/0	Mutter	Nut	
20	3	9893-0616-16	Skruv Relä	Screw Relay	
21	1	1134-4800-01	Innerskärm-Hö (Park)	Inner Mud Guard-Rh (Park)	
35	2	112791500/0	Skruv	Screw	Not for Petrol models
36	2	1134-4481-02	Vingmutter	Wing Nut	Not for Petrol models
37	2	125160012/0	Distans	Spacer	Not for Petrol models
38	2	112523040/0	Bricka	Washer	Not for Petrol models



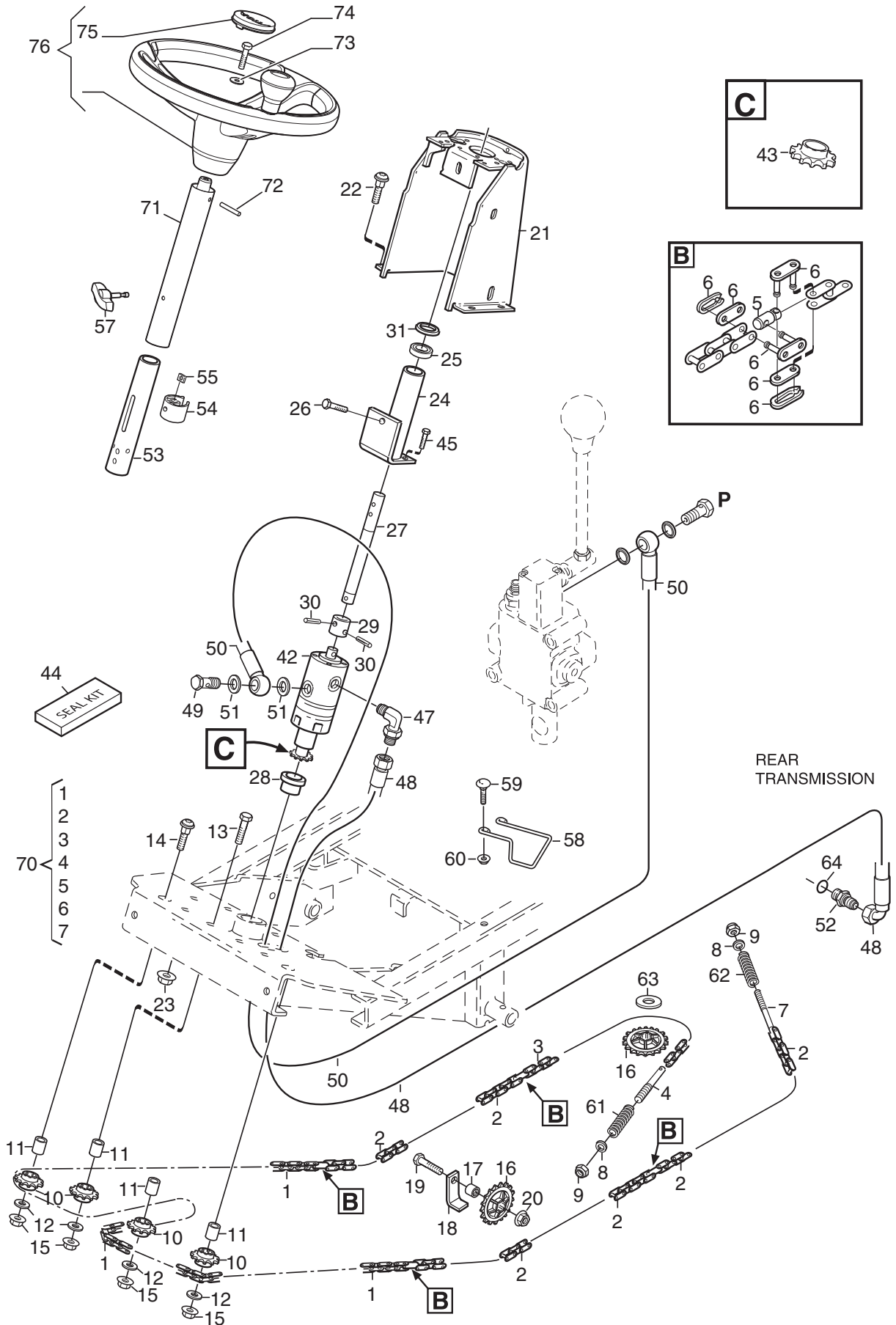
Utgåva Issue 11 - 2015		Ram		Frame	
Pos. Fig.	Antal Q.ty	Art nr Part No	Benämning	Description	Anmärkning Notes
1	1	387800013/0	Ram-Främre	Frame-Front	Incl. 2-3-4-5-6
2	1	1134-3963-02	Midjegaffel Service 5-01 H10	Fork	
3	1	1134-0031-00	Ledaxelstopp	Pivot Shaft Stop	
4	1	9595-0262-00	Spännstift	Locating Pin	
5	1	9501-0500-00	Smörjkopp Kort Rak	Grease Dispenser	Rak/straight
6	1	9501-0504-01	Smörjnippel	Grease Nipple M6 90	90°
7	1	1134-6046-01	Ram-Bakre (Park Diesel) 5-01	Frame-Rear (Park Diesel)	
8	1	1134-5705-01	Distans	Spacer	
9	2	9547-0001-00	Ledlager Ge17Es	Bearing	
10	2	9501-0500-00	Smörjkopp Kort Rak	Grease Dispenser	
11	1	1134-5988-01	Centrumaxel	Centre Shaft	
13	2	9699-0035-02	Bricka	Washer	
14	2	9959-1025-16	Skruv	Screw	
16	1	1134-6586-01	Durk (5-01)	Floor Plate	
17	1	1134-6372-04	Durkmatta	Floor Mat Hst	
18	2	9893-0616-16	Skruv Relä	Screw Relay	
19	1	1134-5944-01	Tankhylla Kpl. 5-01	Tank Shelf Assy	
20	2	9945-0816-16	Skruv	Screw	
21	2	9959-0820-16	Skruv	Screw	
22	2	112154220/0	Mutter	Nut	
24	1	1134-5676-01	Stötfångare	Rear Bumper	
25	2	1134-4100-01	Täckpropp	Plug	
26	2	1134-0240-00	Skruv	Screw	
27	2	1134-4242-01	Distansbricka	Washer	
28	2	9665-0002-00	Bricka	Washer	
29	2	112155000/0	Mutter	Nut	
30	2	9943-0516-16	Skruv	Screw	
40	1	1134-6037-01	Motorstag Kpl 5-01	Engine Bracket	
41	1	1134-4918-01	Engine Fäste	Engine Support	
42	4	9997-1011-06	Skruv	Screw	
43	4	9699-0030-02	Bricka	Washer	
44	4	322672201/0	Bricka	Washer	
45	4	1134-4919-01	Distans	Spacer	
46	4	9739-1031-22	Mutter	Nut	
47	4	1134-4915-01	Stödkopp	Support Cup	
48	4	1134-4920-01	Dämpement	Vibration Absorber	
49	2	1134-0041-03	Bussning	Bushing	L = 55 mm
50	2	1134-6887-01	Hylsa	Collar	L = 51,2 mm
51	4	9731-1031-22	Mutter	Nut	
52	2	9699-0030-02	Bricka	Washer	

Utgåva Issue 11 - 2015		Hydraullyft Hydraulic lift			
Pos. Fig.	Antal Q.ty	Art nr Part No	Benämning	Description	Anmärkning Notes
1	1	1134-4117-01	Fäste	Bracket	
2	2	1134-2684-01	Lager	Bearing	
3	1	1137-0039-01	Lyftarm Kpl (Gra) 7-14	Lift Arm Assy	
5	1	1137-0071-01	Hydraulcylinder	Hydraulic Cylinder	
6	1	1134-4815-01	Cylinderfäste	Cylinder Bracket	
8	2	9893-0616-16	Skruv Relä	Screw Relay	
9	1	1134-4816-01	Stift	Pin	Ø 10 x 29
10	1	9598-0002-02	Spännstift	Elastic Pin	
11	1	1134-4817-01	Stift	Pin	Ø 10 x 34
12	1	9599-0054-02	SaxSprint	Split Pin	
21	2	1137-0193-01	Hydraulslang 90-Banjo 3/16"	Hydraulic Hose	
22	1	1134-4824-01	Adapter	Adapter	1/4" x 1/8"
23	1	1134-4948-01	Bricka	Washer	1/4"
24	2	1134-4826-01	Banjoskruv (R1/8")	Banjo Bolt	
25	4	1134-4947-01	Bricka	Washer	
27	1	1134-4824-01	Adapter	Adapter	1/4" x 1/8"
28	1	1134-4948-01	Bricka	Washer	1/4"
31	4	133320027/0	Bunband	Cable	
37	1	1134-6345-01	Spak	Lever	
38	1	1134-2551-01	Knopp	Knob	
39	1	112154220/0	Mutter	Nut	
40	1	1134-7743-01	Handspaksventil	Hand Operated Valve	Incl. pos 37-38-39
41	2	1134-6364-01	Distans	Spacer	
42	2	112689515/0	Skruv	Screw	
43	2	9739-0631-22	Mutter	Nut	
44	1	1134-6328-01	Frontfäste 5-01	Panel Bracket-Front	
45	1	1134-4282-01	Hydraulnippel	Hydraulic Nipple	9/16" x 9/16"
46	2	1134-6323-01	Banjoskruv 3/8"	Banjo Bolt 3/8	3/8"
47	4	1134-4948-02	Bricka	Washer	3/8"
48	1	1137-0214-04	Rör	Tube	
49	1	9404-0028-01	O-Ring 11,89 X 1,98	O-ring	
50	1	1137-0216-01	Hydraulslang	Hydraulic Hose	



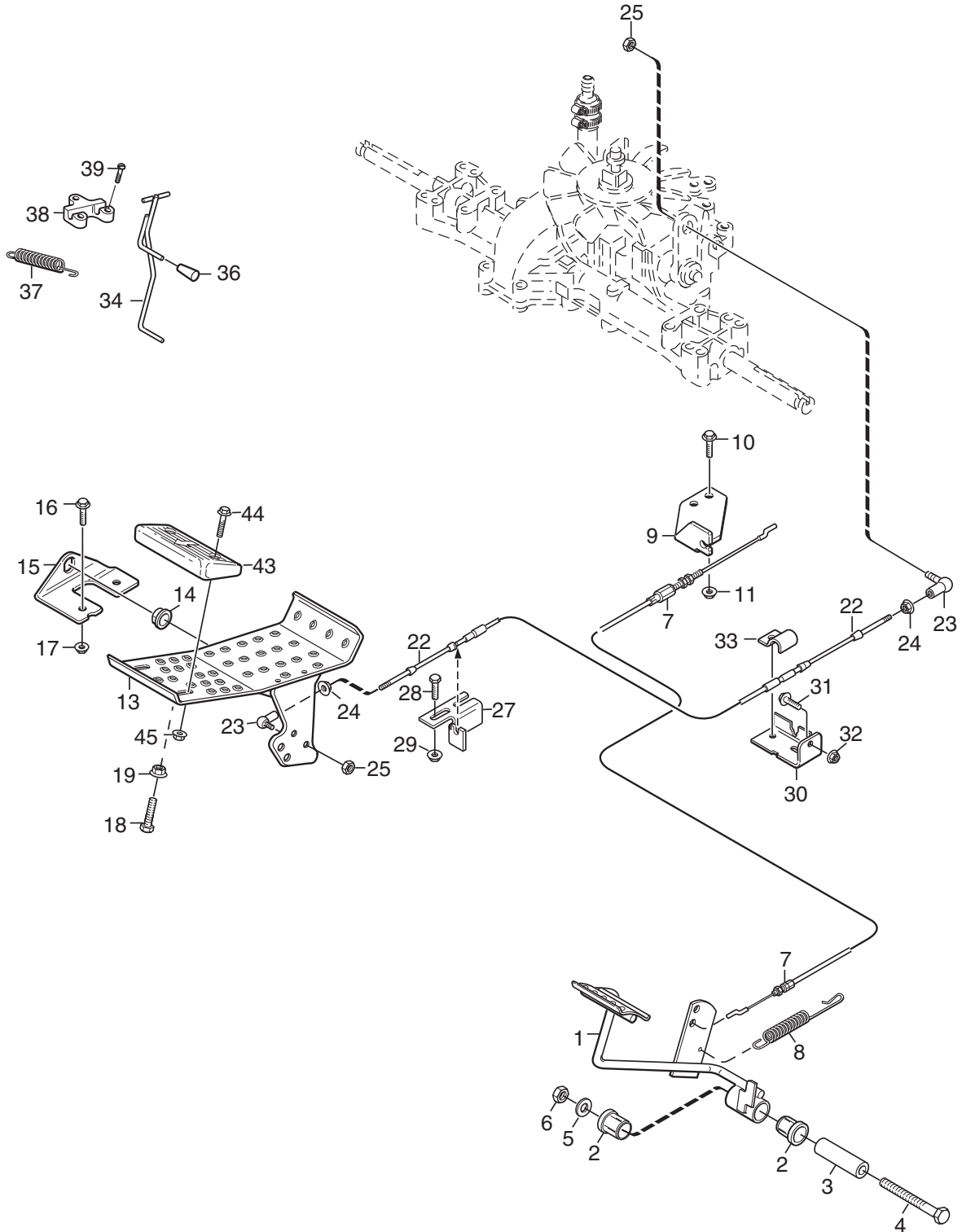
Utgåva Issue 11 - 2015		Seat			
Pos. Fig.	Antal Q.ty	Art nr Part No	Benämning	Description	Anmärkning Notes
2	1	1134-7830-01	Sits (Milsco 180)	Seat	
3	1	1134-7831-01	Armstöd Kpl Arm-Rest Assy	Arm Rests Arm-Rest Assy	
4	2	9897-0880-12	Skruv	Screw	L = 80 mm
5	4	9897-0820-16	Skruv	Screw	L = 20 mm
6	6	112155000/0	Mutter	Nut	
7	1	1137-0057-01	Sitskonsol Kpl	Seat Bracket Assy	
8	1	387773509/0	Övre Platta Kpl Fäste	Upper Plate Assy Bracket	
10	2	1134-0240-00	Skruv	Screw	
11	2	112155000/0	Mutter	Nut	
12	6	1139-0010-01	Skruv	Screw	
13	6	1139-0011-01	Mutter	Nut	
16	2	1137-0263-01	Axel	Shaft	
17	2	9997-0818-02	Skruv	Screw	
18	2	1134-4160-01	Fjäder	Spring	
19	1	1134-4153-01	TryckSprint	Push Pin	
20	1	1134-4159-01	Fjäder	Spring	
21	1	112523060/0	Bricka	Washer	
22	1	112155000/0	Mutter	Nut	
23	1	1134-6090-01	Glidplatta-Övre 5-01	Slide Plate-Upper	
24	2	1134-0240-00	Skruv	Screw	
25	1	387602511/0	Skydd	Protection	
26	1	1137-0038-01	Lock	Cover	
27	3	112728697/0	Skruv	Screw	
28	1	1134-3156-01	Brytare	Switch	
29	1	1134-3990-01	Armsvep Kpl 041-00	Attachment-Side Panel	
30	2	9897-0820-16	Skruv	Screw	
31	4	112154220/0	Mutter	Nut	
32	1	1134-4130-01	Undre Lock (1-00)	Cover Lower	
33	4	9840-8013-16	Skruv	Screw	
34	1	1134-4135-01	Relähallare 24	Relay Holder	
35	2	9632-0522-00	Popnit, 1661-0512 D4X9,5	Pop Rivet	
36	1	9699-0087-02	Bricka	Washer	
37	2	1134-1565-08	Distans	Spacer	
38	1	1134-3262-01	Fjäder	Spring	
39	1	1134-6073-01	Handtag Kpl 5-01	Handle Assy	
40	1	9893-0616-16	Skruv Relä	Screw Relay	
41	1	112154510/0	Mutter	Nut	
42	1	387773513/0	Fäste	Bracket	
43	4	1134-6078-01	Bricka	Flange Washer	
44	4	112793301/0	Skruv	Screw	
45	1	1137-0260-01	Länk Smst A	Link Assy A	
46	1	1137-0261-01	Länk Smst B	Link Assy B	
47	2	1137-0033-01	Kloss	Block	
48	2	1137-0033-02	Kloss	Block	
49	4	112728697/0	Skruv	Screw	
50	1	1137-0064-01	Dämpare	Rubber Cone	
51	4	9699-0099-02	Bricka	Washer	

Utgåva Issue 11 - 2015		Styrning Steering			
Pos. Fig.	Antal Q.ty	Art nr Part No	Benämning	Description	Anmärkning Notes
1	1	1134-6374-06	Kedja	Chain	83 links
2	3	1134-6374-02	Kedja	Chain	41 links
3	1	1134-6374-04	Kedja	Chain	45 links
4	1	1134-3550-01	Ändnippel (L110)	End Nipple	L = 110 mm
5	4	1134-3565-01	Skarvnippel	Connection Nipple	
6	10	1134-2824-01	Kedjelas	Chain Lock	
7	1	1134-3550-02	Ändnippel (L90)	End Nipple	L = 90 mm
8	2	9699-0090-02	Bricka Bricka	Washer Washer	
9	2	112155000/0	Mutter	Nut	
10	4	1134-2816-01	Kedjehjul	Sprocket	
11	4	1134-0041-02	Bussning	Bushing	
12	4	9699-0035-02	Bricka	Washer	
13	2	112794900/0	Skruv	Screw	
14	2	9897-1040-12	Skruv	Screw	
15	4	9739-1031-22	Mutter	Nut	
16	3	1134-3547-01	Kedjehjul	Sprocket	
17	2	1134-0041-01	Bussning	Bushing	
18	2	1134-0046-00	Wireklämma	Wire Clamp	
19	2	112794300/0	Skruv	Screw	
20	2	9739-1031-22	Mutter	Nut	
21	1	1137-0066-01	Rattstang Skydd	Steering Column Cover	
22	4	9897-0820-16	Skruv	Screw	
23	4	112154220/0	Mutter	Nut	
24	1	1137-0044-01	Rattrör Nedre Kpl	Steering Column Assy	
25	1	9549-0017-00	Kullager	Ball Bearing	
26	1	9945-0816-16	Skruv	Screw	
27	1	1137-0045-01	Rattstang	Steering Rod	
28	1	1134-4114-01	Bussning	Bushing	
29	1	1134-4118-01	Koppling	Coupling	
30	2	9595-0256-01	Spännstift 6X28 Typ N Iso 8750	Locating Pin	
31	1	9695-0011-00	Bricka	Washer	
42	1	1137-0446-01	Momentförstärkare	Steering Booster	Incl. pos 43
43	1	1139-2106-01	Drev (F Momentförstärkare)	Pinion (Steering Booster)	
44	1	1139-2074-01	Rep.Sats-Momentförstärkare	Seal Kit-Steering Booster	
45	3	9939-0612-16	Skruv	Screw	
47	1	1134-7073-01	Vinkeladapter	Hydraulic Coupling 90	
48	1	1137-0195-02	Hydraulslang	Hydraulic Hose	L = 1740 mm
49	1	1134-6323-01	Banjoskruv 3/8"	Banjo Bolt 3/8	
50	1	1137-0216-01	Hydraulslang	Hydraulic Hose	L = 2050 mm
51	2	1134-4948-02	Bricka	Washer	
52	1	1134-4282-01	Hydraulnippel	Hydraulic Nipple	
53	1	1137-0070-01	Rattrör-Inre	Steering Tube-Inner Assy	
54	1	1134-5177-01	Slid	Slide	
55	1	9710-0631-12	Lasmutter	Nut	
57	1	337394201/0	Vingmutter	Wing Nut	
58	1	1137-0112-01	Bygel	Guide	
59	2	112815200/0	Skruv	Screw	
60	2	9739-0631-22	Mutter	Nut	
61	1	1134-3817-01	Fjäder	Spring	L = 58 mm

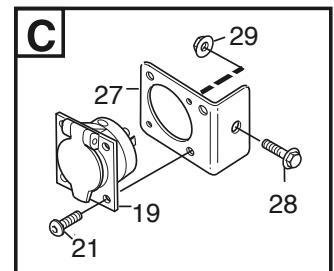
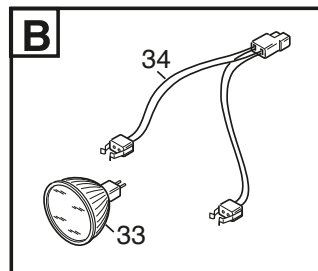
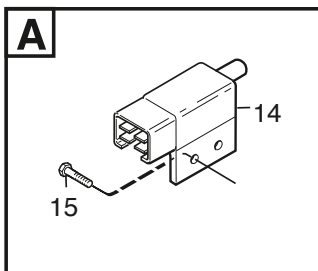
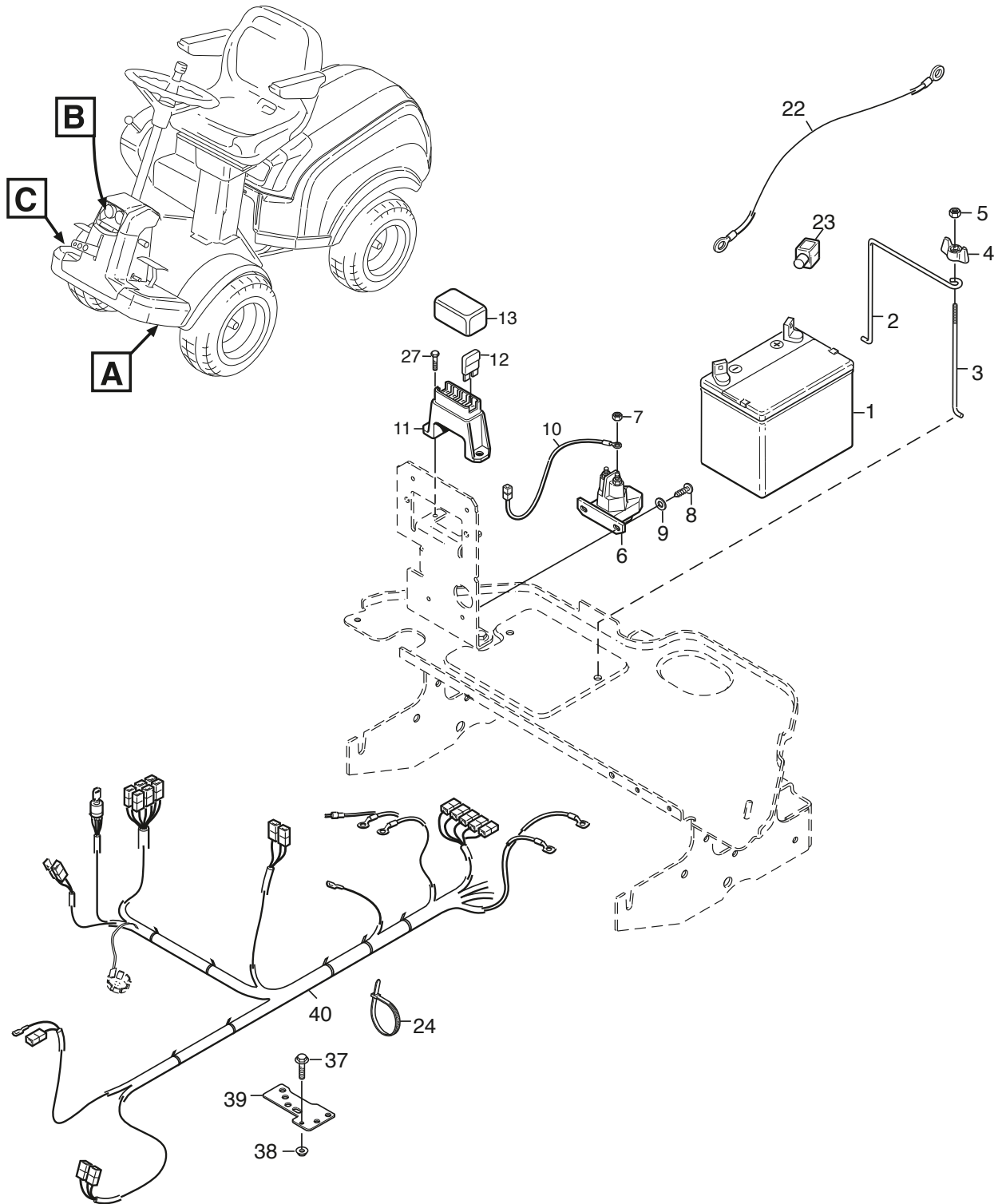


Utgåva Issue 11 - 2015		Styrning Steering			
Pos. Fig.	Antal Q.ty	Art nr Part No	Benämning	Description	Anmärkning Notes
62	1	1134-3817-02	Fjäder	Spring	L = 33 mm
63	1	337670201/0	Bricka	Washer	
64	1	9404-0028-01	O-Ring 11,89 X 1,98	O-ring	
70	1	1134-6379-02	Styrkedja Fz K/K, L/K Smst	Steering Chain Assy	Incl. pos 1 - 6
71	1	387520107/0	Rattstang	Steering Column	
72	1	112620299/0	Spännstift	Elastic Pin	
73	1	112583500/0	Lasbricka	Grower	
74	1	112793102/0	Skruv	Screw	
75	1	337580550/0	Styrplåt Kpl	Steering Plate	

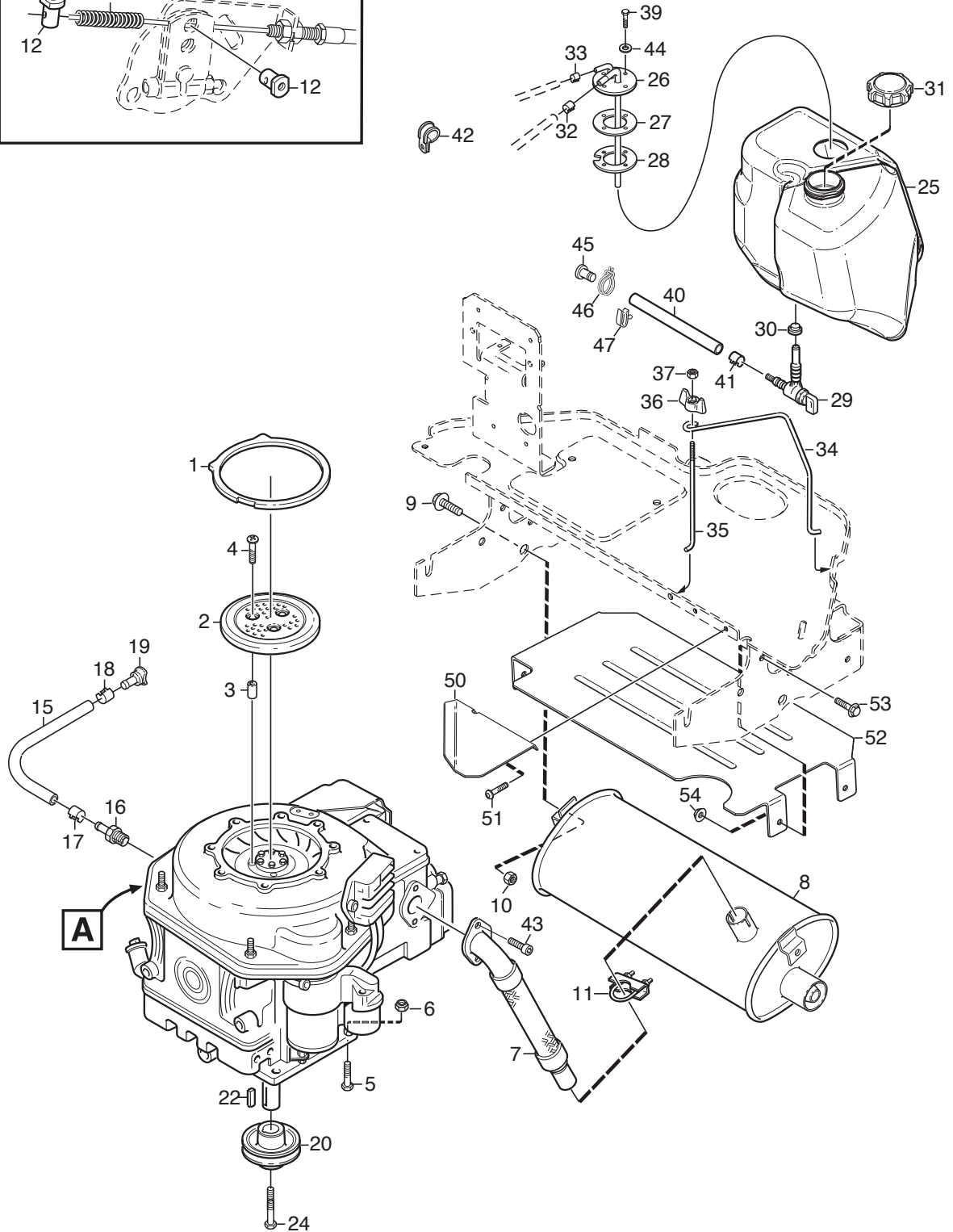
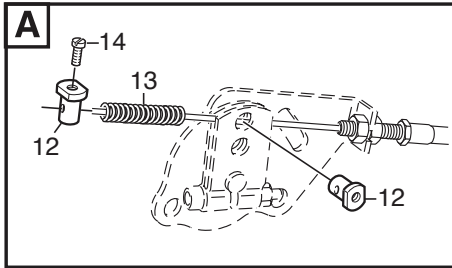
Utgåva Issue 11 - 2015		Handreglage Hand controls			
Pos. Fig.	Antal Q.ty	Art nr Part No	Benämning	Description	Anmärkning Notes
1	1	1134-6324-01	Vinkelhallare Kpl	Panel Bracket Assy	
2	2	9897-0820-16	Skruv	Screw	
3	2	112154220/0	Mutter	Nut	
9	1	1134-4077-02	Arm	Lever	
10	1	1134-4078-01	Knopp	Knob	
11	1	1134-0240-00	Skruv	Screw	
12	2	1134-4242-01	Distansbricka	Washer	
13	1	9665-0002-00	Bricka	Washer	
14	1	112155000/0	Mutter	Nut	
15	1	187000203/0	Gaswire	Throttle Cable	
16	1	1137-0115-01	Wireklämma	Wire Clamp	
17	1	9943-0516-16	Skruv	Screw	
25	1	1134-6328-01	Frontfäste 5-01	Panel Bracket-Front	
26	2	9893-0616-16	Skruv Relä	Screw Relay	
27	1	1134-6327-01	Frontplat5-01	Front Plate	
28	4	9893-0616-16	Skruv Relä	Screw Relay	
34	2	1134-2871-03	Relä	Relay	
36	2	112789000/0	Skruv	Screw	
37	2	9739-0531-22	Mutter	Nut	
38	1	1134-6096-09	Panel	Dashboard	4WD models
39	4	9946-0525-16	Skruv	Screw	
41	4	1134-4129-01	Täckbricka	Cover	
42	1	118450079/0	Brytare	Switch	
46	1	9400-0296-01	Brytare	Switch	
47	2	9699-0090-02	Bricka Bricka	Washer Washer	
48	2	9400-0282-01	Brytare (Med Diod)	Switch	
50	1	9400-0280-03	Vippa Höjdinst	Switch Cover-Height Adjust	
51	1	9400-0343-01	Vippa Pto (Röd)	Switch Cover-Pto	
55	1	1134-6097-02	Timräknare	Hour Meter	
99	1	9400-0290-01	Verktyg F.Vippa	Tool	Tillbehör/Accessory



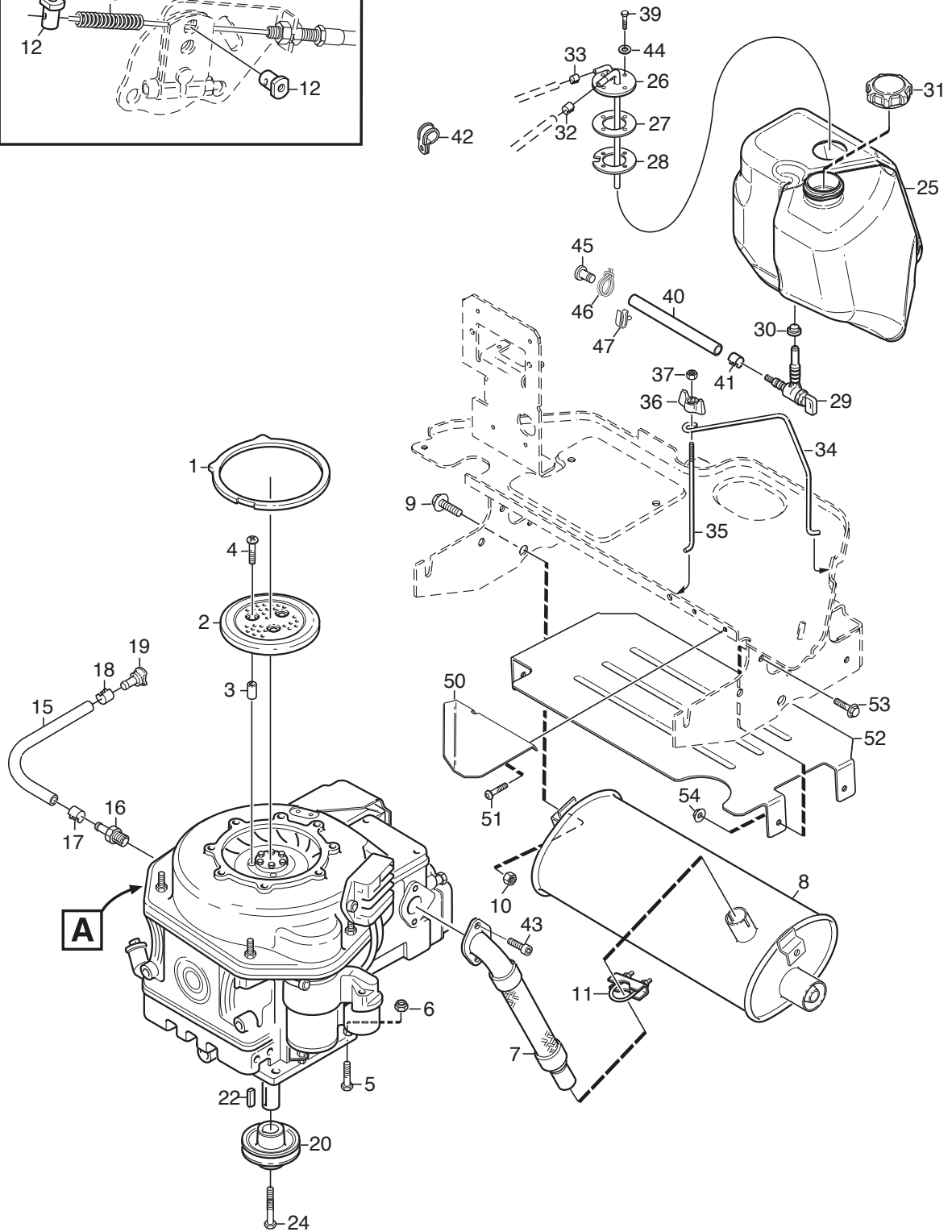
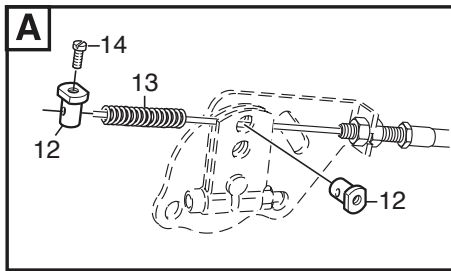
Utgåva Issue 11 - 2015		Fotreglage Foot controls			
Pos. Fig.	Antal Q.ty	Art nr Part No	Benämning	Description	Anmärkning Notes
1	1	1134-5655-01	Kopplingspedal Kpl	Clutch Pedal	
2	1	1134-9024-01	Lager (4 St)	Bearing	Sats 4 st/kit of 4
3	1	1134-5677-02	Distans	Spacer	
4	1	9997-1070-12	Skruv	Screw	
5	1	9699-0030-02	Bricka	Washer	
6	1	9739-1031-22	Mutter	Nut	
7	1	1134-6005-01	Reglagewire	Control Cable	
8	1	4231-0013-00	Fjäder	Spring	
9	1	1134-6052-01	Wirefäste 5-01	Wire Bracket	
10	2	9959-0820-16	Skruv	Screw	
11	1	112154220/0	Mutter	Nut	
12	1	112155000/0	Mutter	Nut	
13	1	1134-6353-01	Drivpedal	Drive Pedal	
14	2	1134-6313-01	Lager	Bearing	
15	2	1134-2700-01	Fäste	Bracket	
16	2	9959-0820-16	Skruv	Screw	
17	2	112154220/0	Mutter	Nut	
18	1	9997-0835-16	Skruv	Screw	
19	1	112154220/0	Mutter	Nut	
22	1	1134-2766-05	Reglagevajer	Speed Control Cable	
23	2	9570-0001-00	Vinkellänk As8 Din 71802M5	Elbow Link	
24	2	9739-0531-22	Mutter	Nut	
25	2	112154330/0	Mutter	Nut	
27	1	1134-6317-01	Wirefäste	Wire Bracket	
28	2	9959-0620-16	Skruv	Screw	
29	2	9739-0631-22	Mutter	Nut	
30	1	1134-3395-01	Fäste 24 (5-01)	Attachment	
31	2	9959-0820-16	Skruv	Screw	
32	2	112154220/0	Mutter	Nut	
33	1	1134-2021-01	Växelwirefäste	Clamp	
34	1	1134-5353-01	Bromsstang	Brake Rod	
36	1	1134-2786-01	Knopp	Knob	
37	1	1131-1497-01	Fjäder	Brake Spring	
38	1	1134-4002-01	Fäste	Brake Rod Attachment	
39	3	112728697/0	Skruv	Screw	
43	2	1134-6340-02	Fotstöd (5-01)	Foot Rest	
44	4	9959-0620-16	Skruv	Screw	
45	4	9739-0631-22	Mutter	Nut	



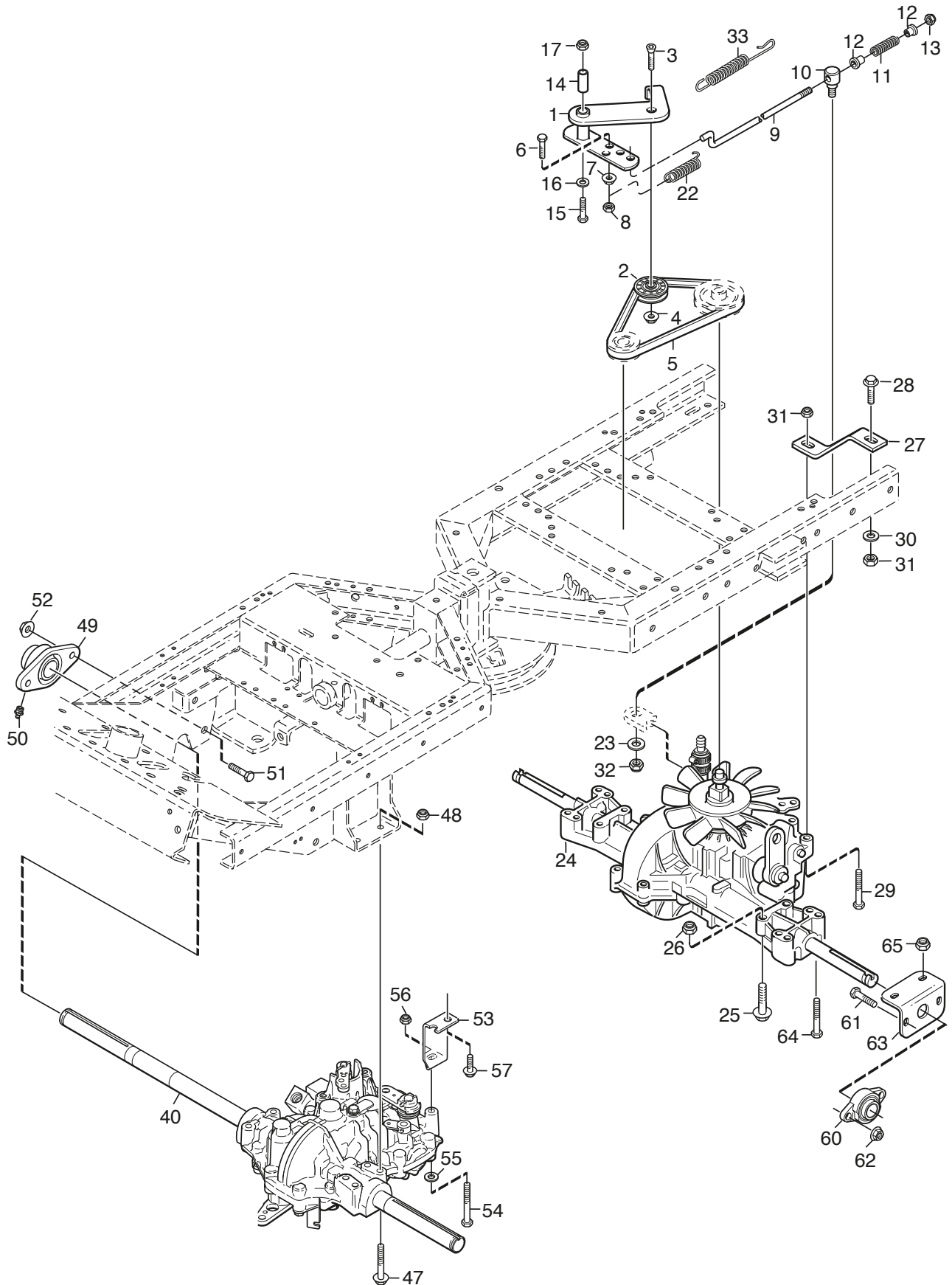
Utgåva Issue 11 - 2015		Elsystem Electrical Parts			
Pos. Fig.	Antal Q.ty	Art nr Part No	Benämning	Description	Anmärkning Notes
1	1	1134-5751-01	Batteri	Battery	
2	1	1134-5994-01	Batteribyggel	Battery Loop	
3	1	1134-5995-01	Batteribyggel	Battery Loop	
4	1	1134-4481-02	Vingmutter	Wing Nut	
5	1	112154510/0	Mutter	Nut	
6	1	1134-3901-01	Solenoid	Solenoid	Incl. pos 7
7	2	9743-5121-32	Mutter	Nut	
8	2	9852-8013-16	Skruv	Screw	
9	2	9699-0060-02	Bricka	Washer	
10	1	1134-4970-02	Kabel	Cable	
11	1	1134-3491-01	Säkringshallare	Fuse Holder	
12	1	1134-3496-01	Säkring Säkring 10A Röd	Fuse Fuse (10A)	10A
12	1	1134-3496-06	Vippa Säkring Säkring 20 Amp Gul	Cover-12V Fuse Fuse (20A)	20A
12	1	1134-3496-07	Säkring (30A Grön)	Fuse (30A)	30A
13	1	1134-3631-01	Lock (5-01)	Cover-Fuse Holder	
14	1	1134-3399-01	Brytare	Switch	For Diesel models
15	2	9943-0516-16	Skruv	Screw	
19	1	1134-7535-01	Honkontakt	Female Connector	
21	2	112735105/0	Skruv	Screw	
22	1	1134-6067-02	Batterikabel	Battery Cable	For Diesel models
23	1	118564861/1	Polskydd	Protection	For Diesel models
24	5	133320027/0	Bunband	Cable	
24	2	9579-0018-01	Buntband L390	Cable	L=390
27	1	1137-0075-01	Fäste	Attachment 2010	
28	1	9959-0820-16	Skruv	Screw	
29	1	112154220/0	Mutter	Nut	
33	2	9400-0358-01	Led-Lampa	Led-Lamp	
34	1	1134-7505-01	Kabelhärva	Wiring harness	
40	1	187040311/0	Kabelhärva	Wiring harness	For Diesel models



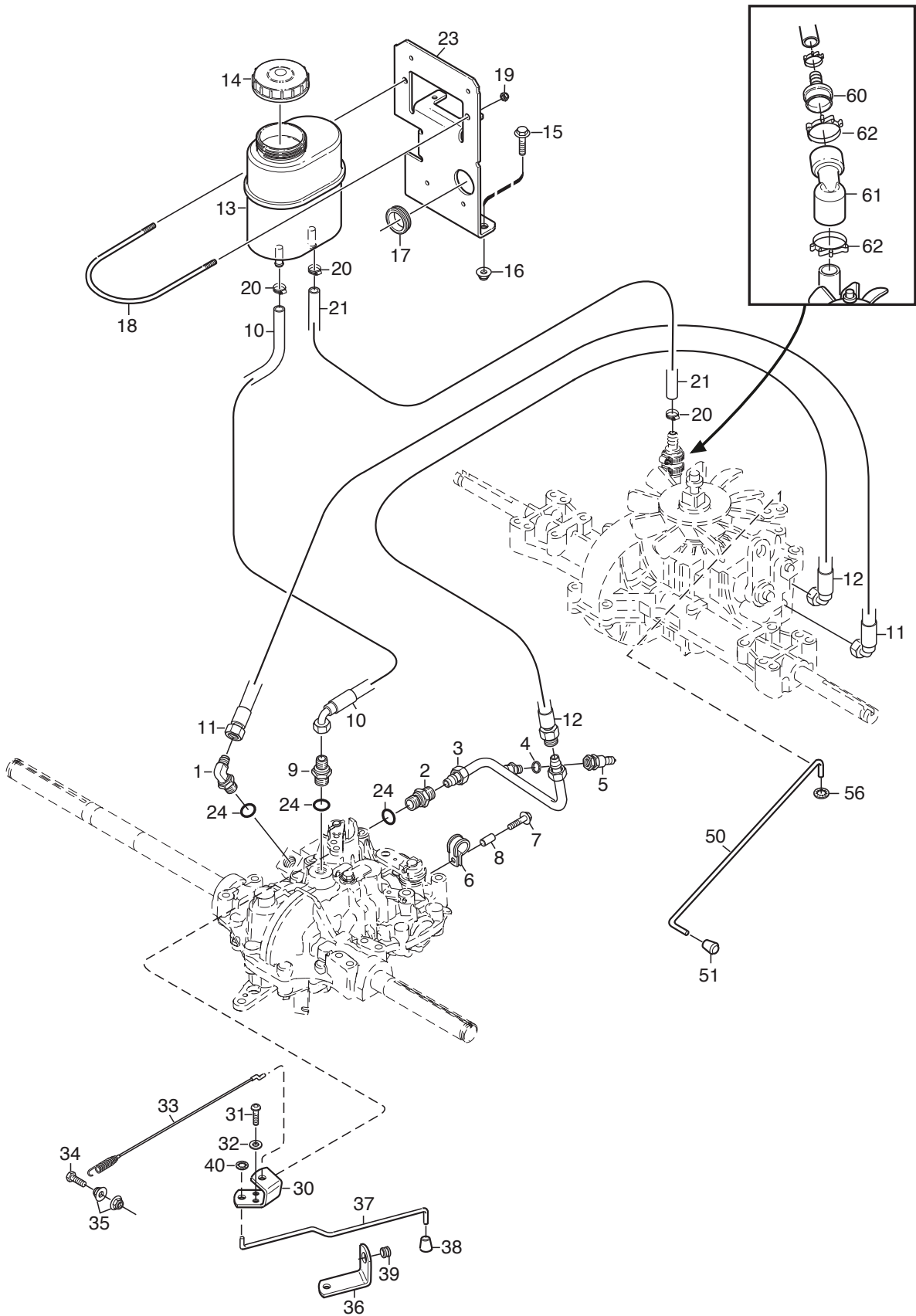
Utgåva Issue 11 - 2015		Motor	Engine		
Pos. Fig.	Antal Q.ty	Art nr Part No	Benämning	Description	Anmärkning Notes
1	1	1134-6463-01	Tätningring	Seal Ring	
2	1	1134-4962-01	Fläktskydd	Fan Cover	
3	3	1134-4963-01	Distans	Spacer	
4	3	112727793/0	Skruv	Screw	
5	4	112794900/0	Skruv	Screw	
6	4	9731-1031-22	Mutter	Nut	
7	1	1134-6012-01	Grenrör Kpl (Hatz)	Exhaust Pipe	
8	1	1134-6024-01	Ljuddämpare Kpl	Muffler Assy	
9	2	9959-0820-16	Skruv	Screw	
10	2	112154220/0	Mutter	Nut	
11	1	9578-0011-01	Rörklämma 38	Tube Clamp	
12	2	1134-6118-01	Skruvnippel	Cable Nipple	
13	1	1134-6126-01	Fjäder	Spring	
14	1	112788512/0	Skruv	Screw	
15	1	1134-5827-04	Oljeavtappning Kpl	Oil Drain Assy	Incl. pos 16 - 19
16	1	1134-5825-01	Nippel	Nipple	
17	1	9578-0023-04	Slangklämma 15*8 (Vit)	Hose Clamp	
18	1	1134-3499-02	Slangklämma	Hose Clamp	
19	1	1134-5826-01	Plugg	Plug	
20	1	1134-6139-01	Motorremskiva	Engine Belt Pulley	
22	1	9600-0251-00	Kil	Key	L = 3/4"
24	1	112737315/0	Skruv	Screw	L = 64 mm
25	1	1134-5938-02	Bränsletank	Fuel Tank	
26	1	1134-6130-01	Bränslegennomföring	Fuel Connection	
27	1	1134-6136-01	Packning	Sealing	
28	1	337207611/0	Fläns	Flange	
29	1	1134-3224-01	Bensinkran	Fuel Shut-Off Valve	
30	1	1134-3225-01	Gummibussning	Grommet	
31	1	1134-5532-01	Tanklock	Fuel Tank Cap	
32	1	9578-0023-02	Slangklämma D12*8 (Svart)	Hose Clamp	
33	1	9578-0023-07	Slangklämma 10.5/7	Hose Clamp	
34	1	1134-5942-01	Tankbygel	Tank Loop	
35	1	1134-5996-01	Tankbygel	Tank Loop	
36	1	1134-4481-02	Vingmutter	Wing Nut	
37	1	112154510/0	Mutter	Nut	
38	1	9959-0820-16	Skruv	Screw	
39	4	112791500/0	Skruv	Screw	
40	1	1134-2975-08	Bensinslang	Fuel Tube	Cutting length 0,36 mt
41	1	9578-0023-02	Slangklämma D12*8 (Svart)	Hose Clamp	
42	1	1134-0994-02	Rörklammer	Tube Clamp	
43	2	112760515/0	Skruv	Screw	
44	4	112530060/0	Fjäderbricka	Spring Washer	
45	1	125510048/1	Stift	Pin	
46	1	118375051/1	Slangklämma	Fair Led	
47	1	133320506/0	Kabalfäste	Fairlead	
50	1	1134-6234-01	Deflektor	Heat Deflector	
51	2	9943-0516-16	Skruv	Screw	
52	1	1134-6251-01	Deflektor	Heat Deflector	
53	4	9959-0612-16	Skruv	Screw	



Utgåva Issue 11 - 2015		Motor Engine			
Pos. Fig.	Antal Q.ty	Art nr Part No	Benämning	Description	Anmärkning Notes
54	4	9739-0631-22	Mutter	Nut	

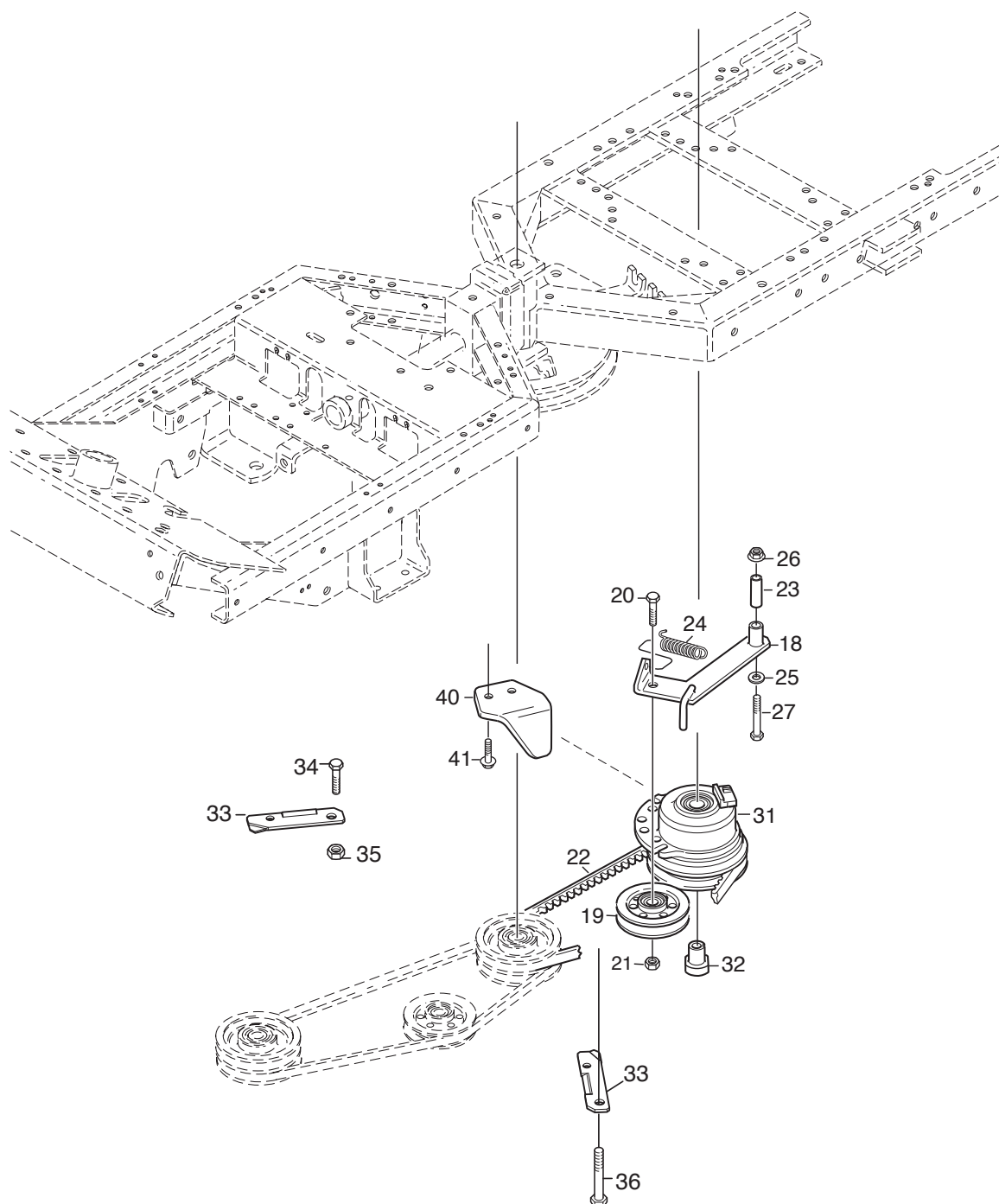


Utgåva Issue 11 - 2015		Transaxel		Transmission	
Pos. Fig.	Antal Q.ty	Art nr Part No	Benämning	Description	Anmärkning Notes
1	1	1134-4000-02	Spännarm Kpl 15	Tension Arm	
2	1	1134-3459-01	Spännrulle	Tension Roller	
3	1	9924-1035-16	Skruv	Screw	
4	1	112295200/0	Mutter	Nut	
5	1	1134-9058-01	Kilrem	V-Belt	contain belt 9585-0091-01
6	1	112791500/0	Skruv	Screw	
7	1	9739-0631-22	Mutter	Nut	
8	1	112154510/0	Mutter	Nut	
9	1	1134-3377-02	Reglagestang	Control Rod	
10	1	1134-4171-01	Ledtapp	Pivot Pin	
11	1	1134-4183-01	Fjäder	Spring	
12	2	1134-3456-01	Bussning	Bushing	
13	1	112154510/0	Mutter	Nut	
14	1	1134-1565-08	Distans	Spacer	
15	1	112793905/0	Skruv	Screw	
16	1	112523060/0	Bricka	Washer	
17	1	112155000/0	Mutter	Nut	
22	1	1134-6414-01	Fjäder	Spring	
23	1	9699-0060-02	Bricka	Washer	
24	1	1137-0125-01	Transaxel K574F	Transaxle K574F	Kanzaki K574F 4-port
25	4	9960-0860-12	Skruv	Screw	
26	4	112155000/0	Mutter	Nut	
27	1	1134-3913-01	Reaktionsstag 5-01 F24	Strut	
28	1	9959-0825-16	Skruv	Screw	
29	1	112691200/0	Skruv	Screw	
30	1	9699-0090-02	Bricka Bricka	Washer Washer	
31	2	112155000/0	Mutter	Nut	
32	1	112154510/0	Mutter	Nut	
33	1	4231-0013-00	Fjäder	Spring	
40	1	1134-6029-01	Motoraxel-Främre (Ktm10M)	Front Motor Unit (Ktm10M)	Kanzaki KTM 10M
47	2	9960-0860-12	Skruv	Screw	
48	2	112155000/0	Mutter	Nut	
49	1	1134-5703-01	Flänslagerenhet	Flange Bearing Unit	Incl. pos. 50
50	1	112379511/0	Smörjnippl	Grease Dispenser	
51	2	9997-1040-16	Skruv	Screw	
52	2	9731-1031-22	Mutter	Nut	
53	1	1134-5670-01	Reaktionsstag 5-01	Strut	
54	1	9997-0880-16	Skruv	Screw	
55	1	9699-0090-02	Bricka Bricka	Washer Washer	
56	1	112155000/0	Mutter	Nut	
57	2	9945-0816-16	Skruv	Screw	
60	2	1137-1122-01	Flänslagerenhet	Flange Bearing Unit	
61	4	112793301/0	Skruv	Screw	
62	4	112154220/0	Mutter	Nut	
63	2	1137-1123-01	Fäste	Bracket	
64	4	9960-0860-12	Skruv	Screw	
65	4	112155000/0	Mutter	Nut	

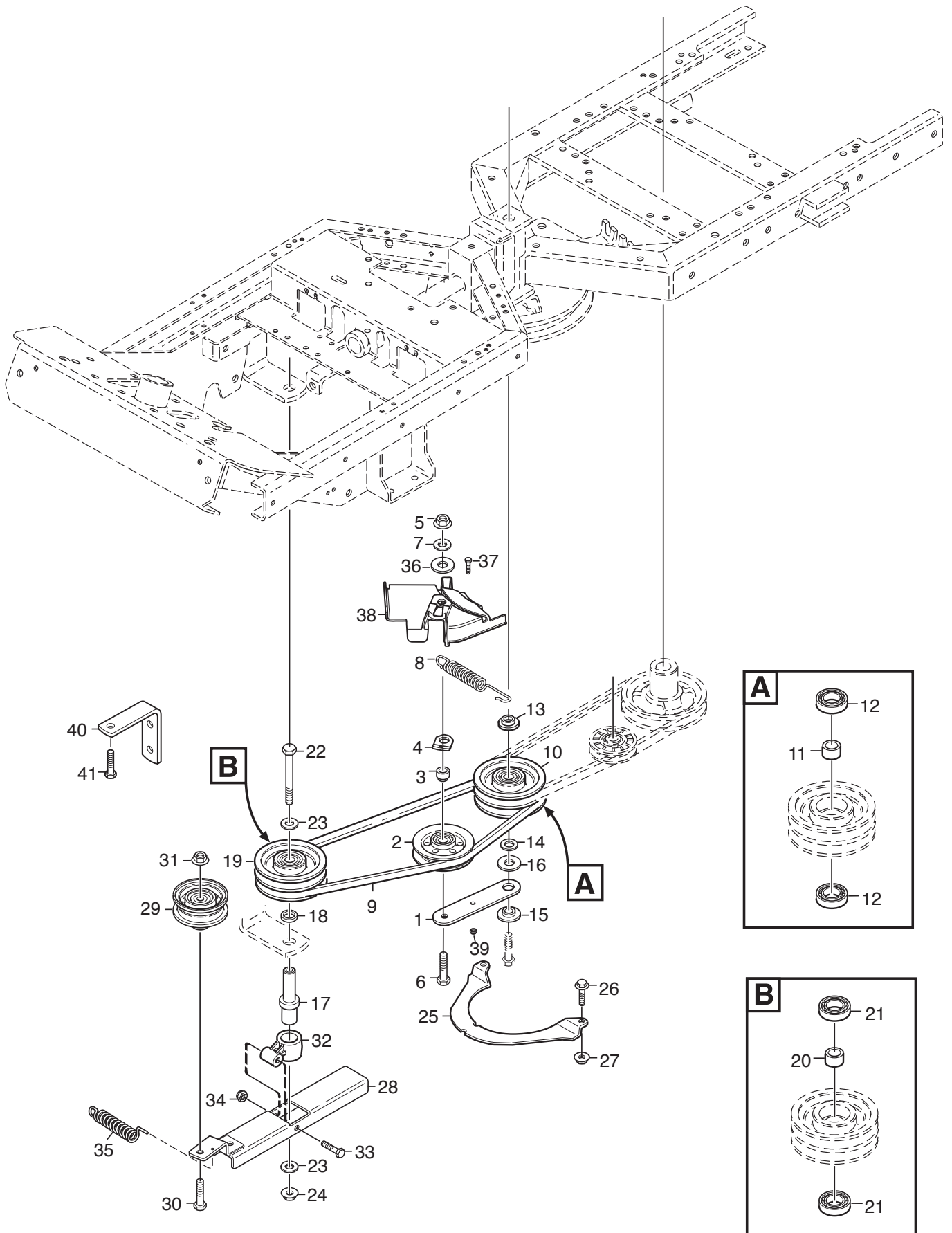


Utgåva Issue 11 - 2015		Transmission		Transmission	
Pos. Fig.	Antal Q.ty	Art nr Part No	Benämning	Description	Anmärkning Notes
1	1	1134-6044-01	Vinkeladapter	Hydraulic Angle Coupling	"3/4" x 9/16" "
24	3	9404-0029-01	O-Ring (16,36 X 2,21)	O-ring	
2	1	1134-5875-01	Skäringskoppling	Hydraulic Coupling	"3/4" "
3	1	1134-6039-01	Hydraulrör Smst	Hydraulic Pipe Assy	
4	1	1134-4948-01	Bricka	Washer	"1/4" "
5	1	1134-6042-01	Snabbkoppling-Hane 1/4"	Quick Coupling-Male	
6	1	9578-0028-01	Rörklammer	Tube Clamp	
7	1	9959-0825-16	Skruv	Screw	
8	1	1134-1565-09	Distans	Spacer	
9	1	1134-5809-01	Adapter	Hydraulic Coupling	"3/4" x 9/16" "
10	1	1137-0215-04	Hydraulslang	Hydraulic Hose	L = 1400 mm
11	1	1137-0195-01	Hydraulslang	Hydraulic Hose	L = 1275 mm
12	1	1137-0212-01	Hydraulslang	Hydraulic Hose	L = 1210 mm
13	1	1134-6011-01	Hydraultank Kpl	Hydraulic Oil Tank Assy	Incl. Pos. 14
14	1	1137-0272-01	Tanklock	Tank Cap	
23	1	1134-5941-01	Tankkonsol 5-01	Tank Bracket	
15	2	9959-0820-16	Skruv	Screw	
16	2	112154220/0	Mutter	Nut	
17	1	1134-3203-01	Kabelgenomföring	Grommet	
18	1	1134-5943-01	Tankbygel	Tank Loop	
19	2	112154510/0	Mutter	Nut	
20	3	9578-0036-01	Slangklämma	Hose Clamp	14,6 - 17,8
21	1	1134-2779-02	Slang	Tube	L = 260 mm
22	1	9578-0023-04	Slangklämma 15*8 (Vit)	Hose Clamp	15 x 8
30	1	1134-6162-01	Fäste	Bracket	
31	2	9939-0612-16	Skruv	Screw	
32	2	112521330/0	Bricka	Washer	
33	1	1134-6163-01	Wire (By-Pass Urkoppling)	Wire	
34	1	112691100/0	Skruv	Screw	
35	2	112154220/0	Mutter	Nut	
36	1	1134-6084-01	Reglagekonsol	Control Bracket	
37	1	1134-6083-01	Reglagestang	Control Rod	
38	1	1134-4014-01	Plastknopp	Knob	
39	1	1134-2790-01	Kabelgenomföring	Cable Protection	
40	1	112604896/0	Starlock P6493 6	Crown Fastener	
50	1	1134-4015-01	Dragstang	Pull Rod	
51	1	1134-4014-01	Plastknopp	Knob	
56	1	112604896/0	Starlock P6493 6	Crown Fastener	
60	1	1134-6051-01	Slangnippel	Hose Nipple	
61	1	1134-6050-01	Böj	Elbow	
62	2	9578-0023-06	Slangklämma 25/8	Hose Clamp	

Utgåva Issue 11 - 2015		Hjul Wheels			
Pos. Fig.	Antal Q.ty	Art nr Part No	Benämning	Description	Anmärkning Notes
1	2	1134-4844-03	Hjulnav Kpl	Wheel Hub Assy	
2	2	1134-3383-02	Kil	Key	
3	2	187000454/0	Fälg	Rim	
4	2	9545-0116-00	Däck	Tyre	16 x 7.50 - 8
5	2	9545-0500-00	Ventil	Valve Assy.	
6	6	9731-1031-22	Mutter	Nut	
9	2	1134-0341-01	Bricka	Washer	
10	2	9599-0080-02	SaxSprint Sp 4*28	Cotter Pin	
11	2	1134-0341-01	Bricka	Washer	
21	2	1134-4844-02	Hjulnav Kpl	Wheel Hub Assy	
22	2	1134-2471-01	Kil	Key	
23	2	187000454/0	Fälg	Rim	
24	2	9545-0116-00	Däck	Tyre	16 x 7.50 - 8
25	2	9545-0500-00	Ventil	Valve Assy.	
26	6	9731-1031-22	Mutter	Nut	
30	2	9653-0001-04	Sparryttare Rs	Lock Ring	
31	2	1134-4796-01	Navkapsel	Hub Cap	
32	2	9947-0540-19	Skruv	Screw	
45	1	13-0993-61	Rac Snabbfäste 4Wd Park	Rac Quick Connection 4Wd	Incl. pos 9-10-46-47-48-49-50-51
46	1	1134-7465-01	Sats-Fästen (Vä+Hö Inkl Skruv)	Attachment Kit	Incl. pos 50-51
47	2	1137-0077-01	Lassprint	Locking Pin	
48	4	1134-5686-01	Bussning	Bearing	
49	2	9501-0502-00	Smörjnippel	Grease Joint	
50	2	9898-1035-16	Skruv	Screw	
51	2	9739-1031-22	Mutter	Nut	
99	4	9545-0203-00	Innerslang	Inner Tube	Reservdel/spare part

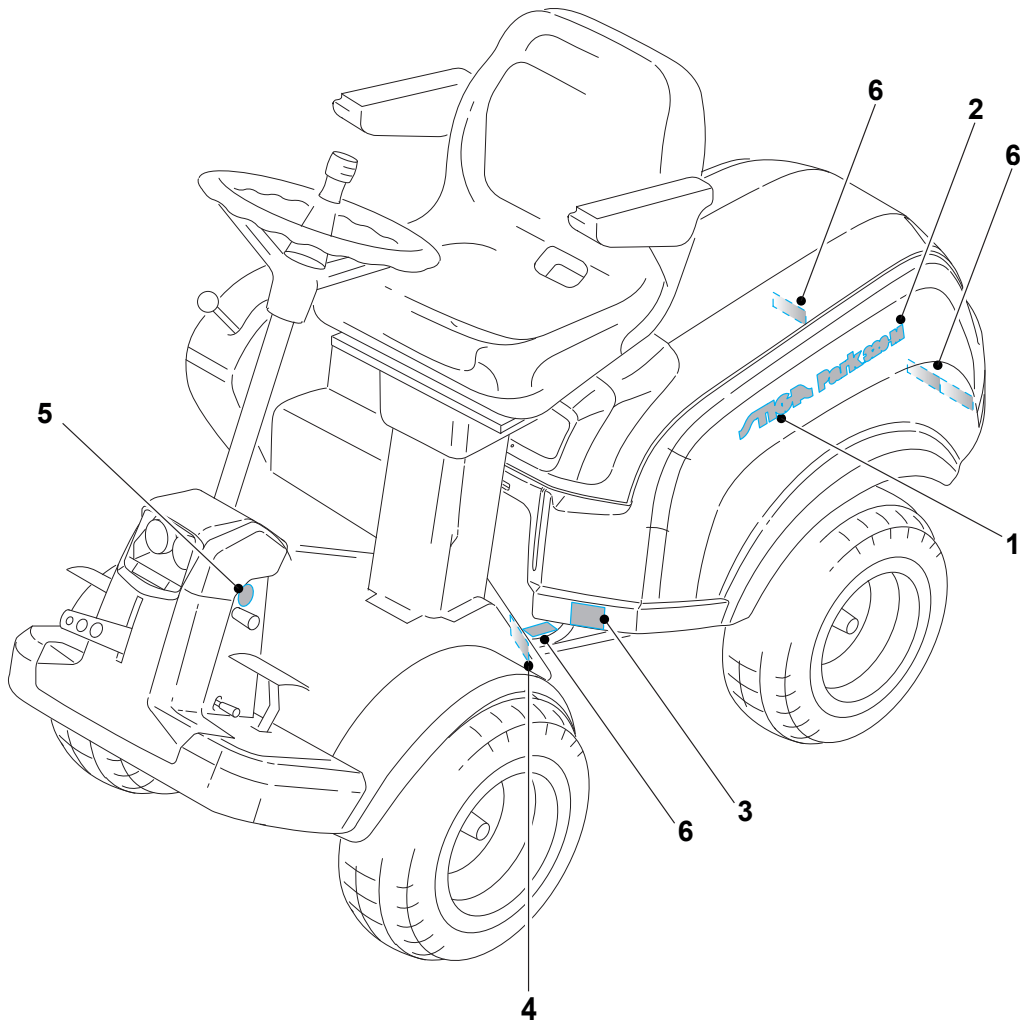


Utgåva Issue 11 - 2015		Kraftuttag Power take-off			
Pos. Fig.	Antal Q.ty	Art nr Part No	Benämning	Description	Anmärkning Notes
18	1	1134-3658-02	Spännarm Kpl 5-01	Tension Arm	
19	1	1134-3663-01	Remskiva	Tension Wheel	
20	1	9997-1040-16	Skruv	Screw	
21	1	9739-1031-22	Mutter	Nut	
22	1	1134-9047-01	Kilrem	V-Belt	contain belt 9585-0088-00
23	1	1134-1565-10	Distans	Spacer	
24	1	1134-3379-01	Fjäder	Spring	
25	1	112523060/0	Bricka	Washer	
26	1	112154220/0	Mutter	Nut	
27	1	112691800/0	Skruv	Screw	
31	1	1134-7526-01	Magnetkoppling 80 Ft-Lbs	Magnet Clutch	
32	1	1134-5016-01	Bussning	Bushing	
32	2	337546547/0	Plat	Plate	
33	1	112793102/0	Skruv	Screw	
34	1	112293201/0	Mutter	Nut	
43	1	9959-1025-16	Skruv	Screw	
40	1	1134-4924-01	Momentstag 5-01 F24	Strut	
41	1	9959-1025-16	Skruv	Screw	



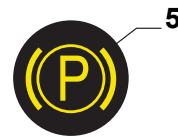
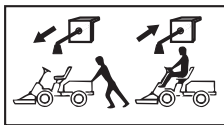
Utgåva Issue 11 - 2015		Kraftuttag Power take-off			
Pos. Fig.	Antal Q.ty	Art nr Part No	Benämning	Description	Anmärkning Notes
1	1	1134-1730-02	Spännhjularm	Tensioning Wheel Arm	
2	1	1134-3663-01	Remskiva	Tension Wheel	
3	1	1134-1888-06	Distans	Spacer	
4	1	337546545/0	Fjäder	Spring	
5	1	9739-1031-22	Mutter	Nut	
6	1	112692395/1	Skruv	Screw	
7	1	112521360/0	Bricka	Washer	
8	1	1134-5713-04	Fjäder	Spring	
9	1	1134-9098-01	Drivrem	Drive Belt	contain belt 9585-0148-01
10	1	1137-0209-01	Centrumremskiva Smst	Centre Belt Pulley	Pos 11-12 incl.
11	1	1134-0051-09	Distans	Spacer	
12	2	9549-0019-00	Kullager	Ball Bearing	
13	1	1134-5548-01	Distans	Spacer	
14	1	112521360/0	Bricka	Washer	
15	1	1134-0222-00	Bricka	Washer	
16	1	9699-0109-02	Bricka	Washer	
17	1	1134-5663-01	Axel	Shaft	
18	1	1134-0052-00	Distans	Spacer	
19	1	1137-0209-01	Centrumremskiva Smst	Centre Belt Pulley	Pos 20-21 incl.
20	1	1134-0051-09	Distans	Spacer	
21	2	9549-0019-00	Kullager	Ball Bearing	
22	1	9997-1011-06	Skruv	Screw	
23	2	9699-0030-02	Bricka	Washer	
24	1	9739-1031-22	Mutter	Nut	
25	1	1134-3654-01	Fingerskydd 5-01 24	Guard	
26	2	9959-0612-16	Skruv	Screw	
27	2	9739-0631-22	Mutter	Nut	
28	1	1134-5660-01	Spännarm Kpl 5-01	Tension Arm Assy	
29	1	1134-5823-01	Spännrulle Kpl	Tension Roller Assy	
30	1	112794900/0	Skruv	Screw	
31	1	9739-1031-22	Mutter	Nut	
32	1	1134-6314-01	Spännarmsfäste	Tension Arm Attachment	
33	1	112689515/0	Skruv	Screw	
34	1	112154510/0	Mutter	Nut	
35	1	1134-5824-01	Fjäder	Spring	
36	1	137038000/0	Bussning	Bush	
37	1	112792410/0	Skruv	Screw	
38	1	337600001/2	Skydd	Protection	
39	1	112154510/0	Mutter	Nut	
40	1	1134-5112-01	Fjäder	Spring	
41	2	9945-0816-16	Skruv	Screw	

Utgåva Issue 11 - 2015		Remskydd Protection, Belt			
Pos. Fig.	Antal Q.ty	Art nr Part No	Benämning	Description	Anmärkning Notes
1	1	112154510/0	Mutter	Nut	
2	1	337600010/0	Skydd	Protection	
3	1	337600011/0	Skydd	Protection	
4	1	112792099/0	Skruv	Screw	
7	2	112735669/0	Skruv	Screw	
8	2	112523050/0	Bricka	Washer	
9	2	1134-1565-14	Distans	Spacer	
10	2	112154510/0	Mutter	Nut	
11	1	337060001/1	Remskydd	Belt Cover	
12	2	112792099/0	Skruv	Screw	
13	2	112524010/0	Bricka	Washer	
14	1	337785100/0	Fäste	Support	
15	2	112521330/0	Bricka	Washer	
16	2	112154510/0	Mutter	Nut	
18	1	112791500/0	Skruv	Screw	
19	1	112154510/0	Mutter	Nut	
20	1	337060000/1	Remskydd	Belt Cover	
21	1	337060002/0	Remskydd	Belt Cover	
22	3	9893-0616-16	Skruv Relä	Screw Relay	
30	1	337060004/0	Remskydd	Belt Cover	
31	1	112791500/0	Skruv	Screw	
32	2	112154510/0	Mutter	Nut	

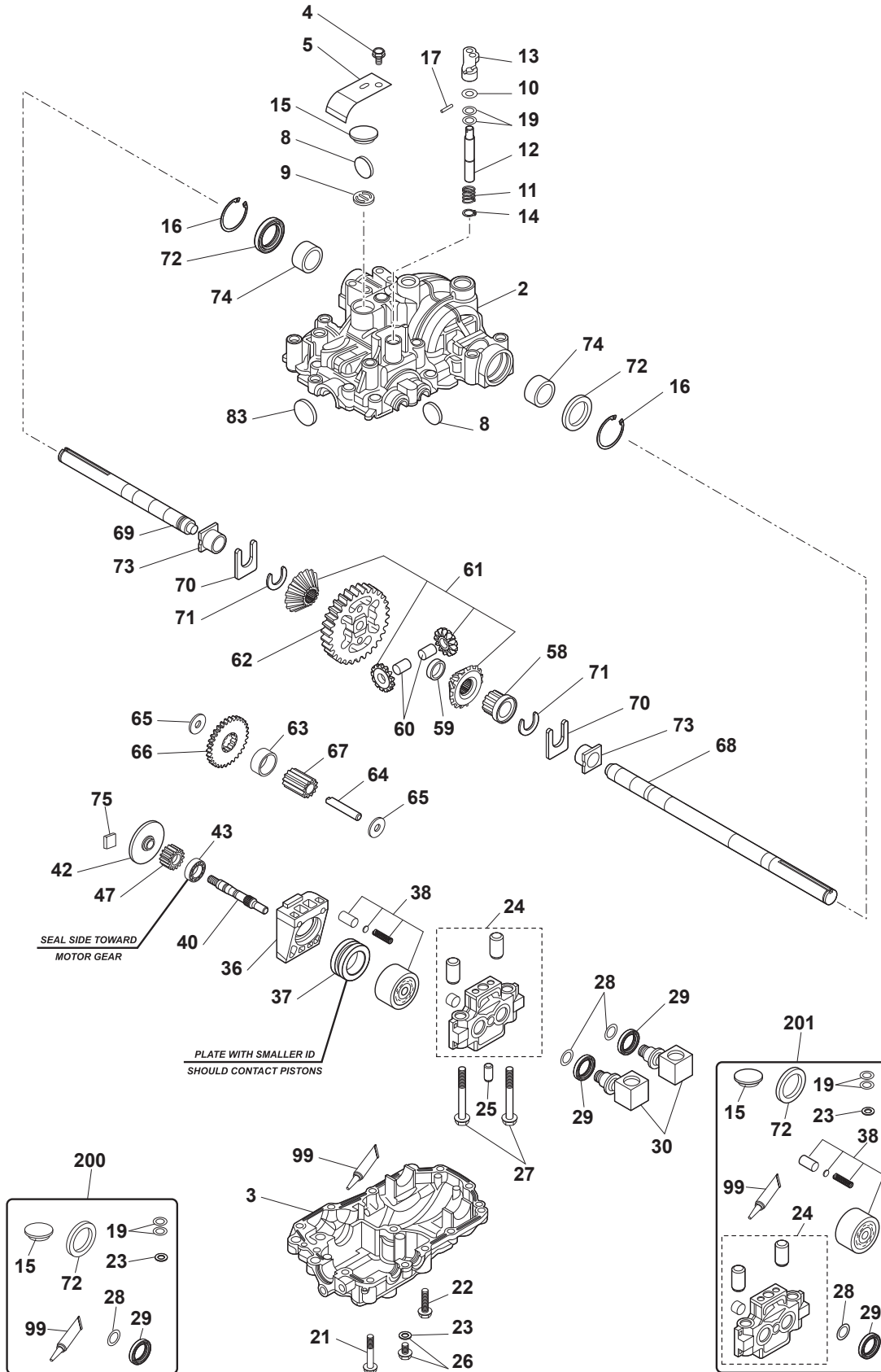


STIGA 1

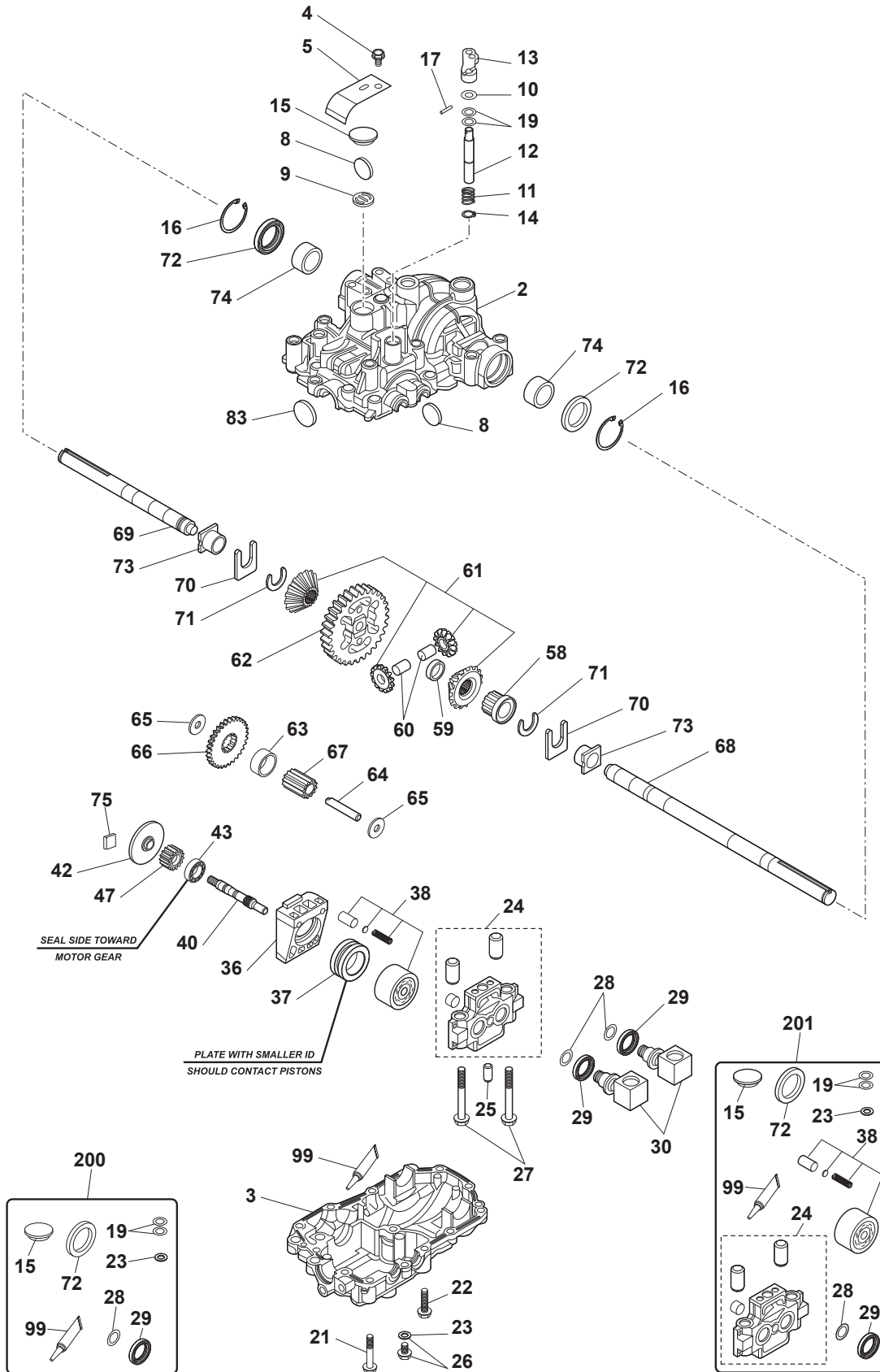
Park 540 DPX 2



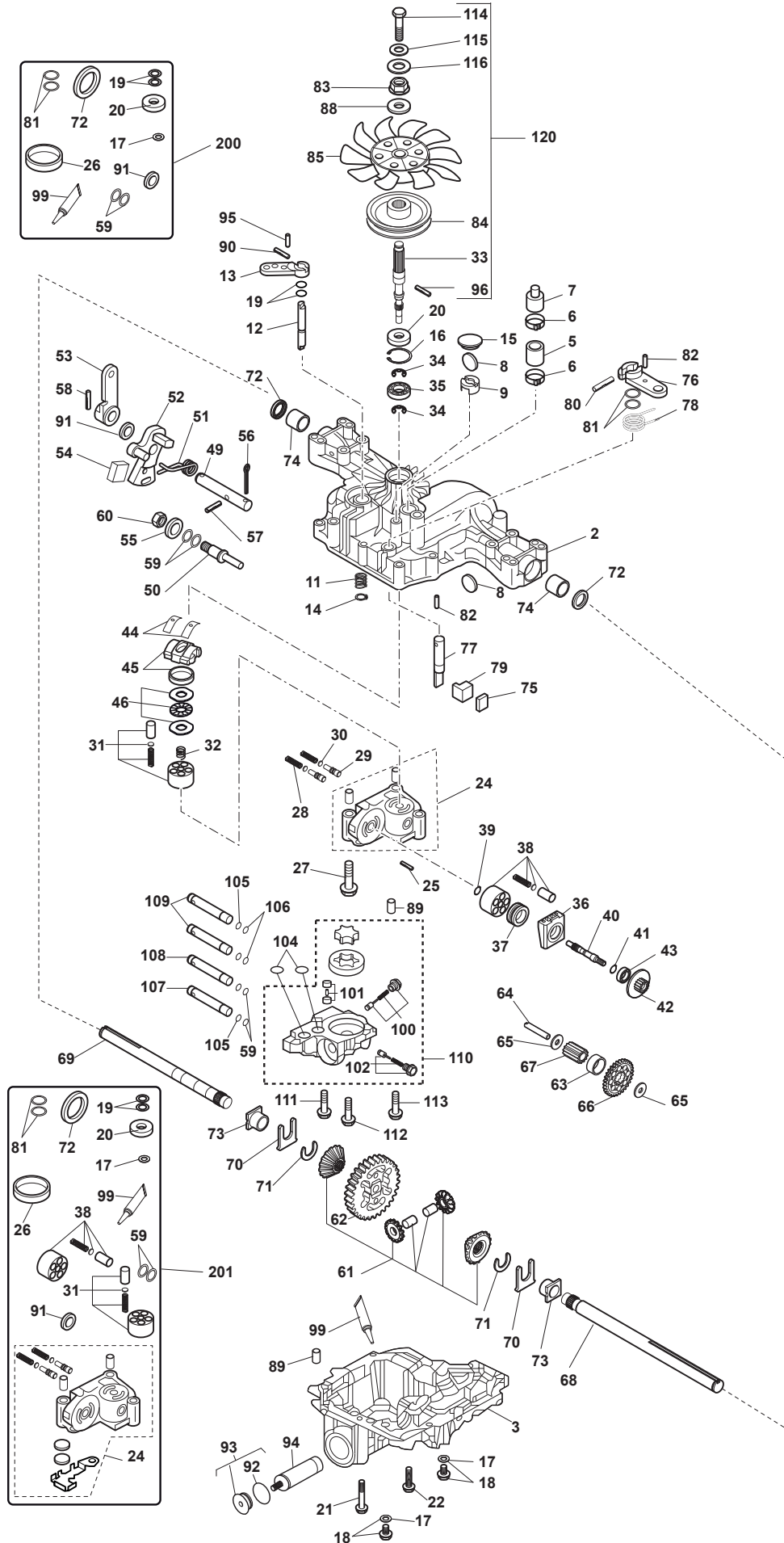
Utgåva Issue 11 - 2015		Dekaler Labels			
Pos. Fig.	Antal Q.ty	Art nr Part No	Benämning	Description	Anmärkning Notes
1	3	114367494/2	Dekal STIGA logo	Label STIGA logo	
2	2	114368470/0	Dekal Park 540 DPX	Label Park 540 DPX	Park 540 DPX
4	1	114368323/0	Dekal	Label	only 4WD models
5	1	114358460/0	Dekal	Label	
6	1	114368429/0	Dekal	Label	



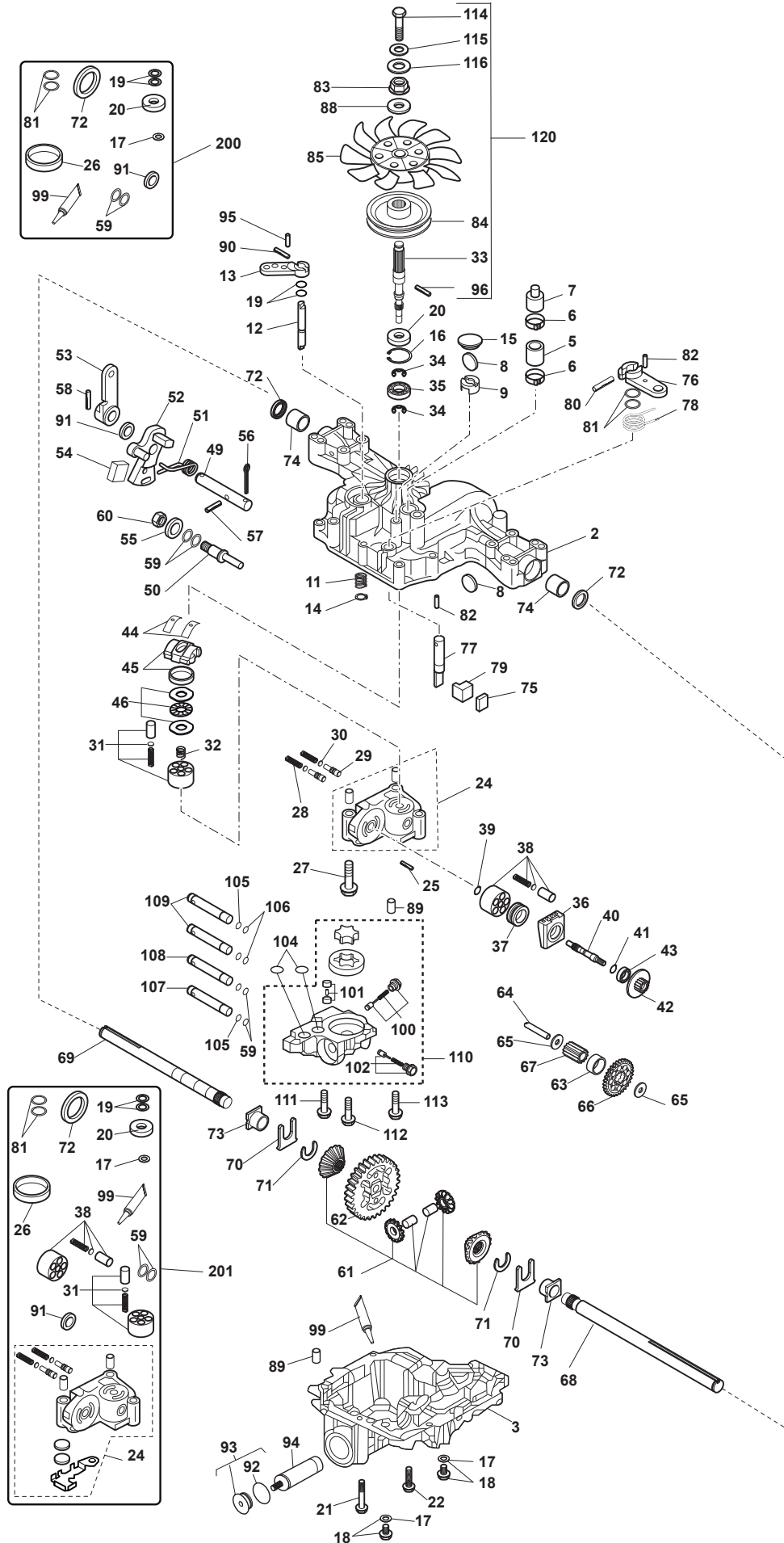
Utgåva Issue 11 - 2015		Transmission		Transmission	
Pos. Fig.	Antal Q.ty	Art nr Part No	Benämning	Description	Anmärkning Notes
1	1	1134-6029-01	Motoraxel-Främre (Ktm10M)	Front Motor Unit (Ktm10M)	Kanzaki KTM 10M/ KTM10M/
2	1	1139-1417-01	Hus-Övre	Housing-Upper	Pos 74 incl./KTM10M/
2	1	1139-1604-01	Hus-Övre	Housing Assy-Upper	Pos 74 incl.
3	1	1139-1418-01	Hus-Nedre	Housing-Lower	/KTM10M/
4	1	1139-1123-01	Bult	Bolt	/KTM10M/
5	1	1139-1384-01	Glidplat	Skid Plate	/KTM10M/
5	1	1139-1603-01	Glidplat	Skid Plate	
8	2	1139-1150-01	Magnet	Magnet	
9	1	1139-1341-01	Magnethallare	Magnet Holder	/KTM10M/
10	1	1139-1388-01	Bricka	Washer	/KTM10M/
11	1	1139-1421-01	Fjäder	Spring	/KTM10M/
12	1	1139-1420-01	By-Passaxel	By-Pass Shaft	/KTM10M/
13	1	1139-1189-01	Arm	By-Pass Lever	/KTM10M/
14	1	1139-1391-01	Lasring	Ring	/KTM10M/
15	1	1139-1275-01	Plugg	Bore Plug	
15	1	1139-1397-01	Tätningshuv	Sealing Cap	/KTM10M/
16	2	1139-1444-01	Lasring	Ring	
17	1	1139-1280-01	Stift	Pin	/KTM10M/
19	2	1139-1114-01	O-Ring	O-Ring	
21	3	1139-1291-01	Bult	Bolt	
22	11	1139-1448-01	Bult	Bolt	
23	1	1139-1103-01	Bricka	Washer	/KTM10M/
24	1	1139-1419-01	Centrumhus	Center Case	/KTM10M/
24	1	1139-1503-01	Centrumhus	Center Case	/KTM10M/
24	1	1139-1723-01	Centrumhus Kpl	Center Case Assy	
25	1	1139-1445-01	Stift	Pin	/KTM10M/
26	1	1139-1500-01	Dräneringsbult-Sats	Drain Bolt Kit	/KTM10M/
27	2	1139-1449-01	Bult	Bolt	
28	2	1139-1446-01	Packning	Packing	
29	2	1139-1447-01	Tätningring	Seal	
30	2	1139-1424-01	Anslutning	Connector	
36	1	1139-1422-01	Hus	Housing	/KTM10M/
36	1	1139-1504-01	Motorhus	Motor Housing	/KTM10M/
37	1	1139-1438-01	Lager	Bearing	/KTM10M/
38	1	1139-1139-01	Cylinderblock Kpl	Cylinder Block Assy	/KTM10M/
38	1	1139-1509-01	Cylinderblock Kpl	Cylinder Block Kit	/KTM10M/
40	1	1139-1425-01	Motoraxel	Motor Shaft	/KTM10M/
42	1	1139-1451-01	Bromsskiva	Brake Disc	/KTM10M/
43	1	1139-1453-01	Lager	Bearing	/KTM10M/
47	1	1139-1426-01	Motordrev	Motor Gear	/KTM10M/
58	1	1139-1330-01	Hylsa	Collar	/KTM10M/
59	1	1139-1435-01	Hylsa	Collar, Axle	/KTM10M/
60	1	1139-1440-01	Stift	Pin	/KTM10M/
61	1	1139-1439-01	Differentialdrev	Differential Gear Kit	/KTM10M/
62	1	1139-1429-01	Slutdrev	Final Gear	/KTM10M/
63	1	1139-1427-01	Hylsa	Collar	/KTM10M/
64	1	1139-1256-01	röduktionsaxel	Reduction Shaft	/KTM10M/
65	2	1139-1398-01	Bricka	Washer	



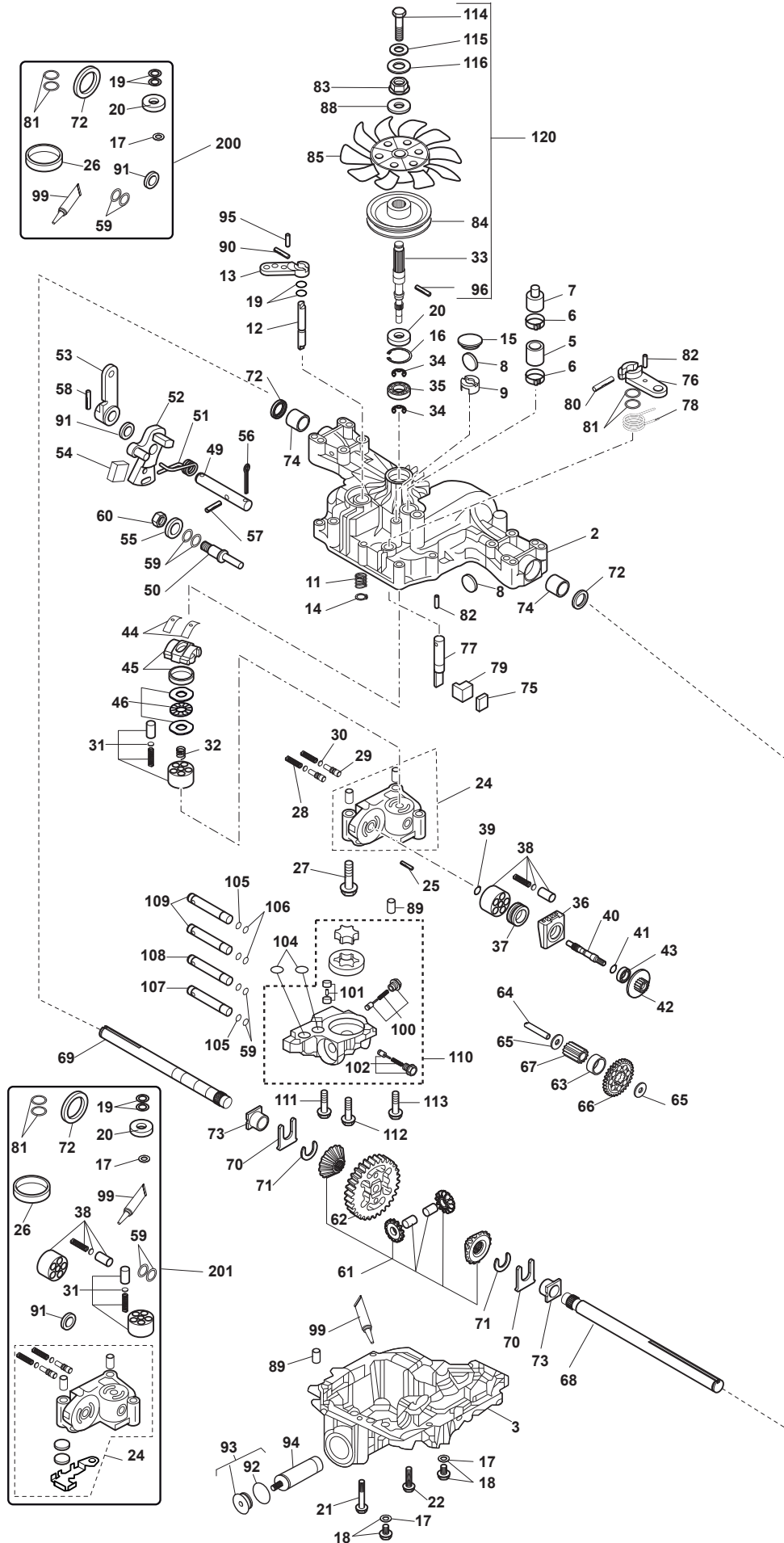
Utgåva Issue 11 - 2015		Transmission			
Pos. Fig.	Antal Q.ty	Art nr Part No	Benämning	Description	Anmärkning Notes
66	1	1139-1430-01	Reduktionsdrev	Reduction Gear	/KTM10M/
67	1	1139-1361-01	Slutdrev	Final Pinion Gear	/KTM10M/
68	1	1139-1432-01	Hjulaxel	Axle	/KTM10M/
69	1	1139-1431-01	Hjulaxel	Axle	/KTM10M/
70	2	1139-1194-01	Bricka	Thrust Washer	
71	2	1139-1155-01	Lasring	Ring	
72	2	1139-1044-01	Tätning	Seal 25.4*42*8	
73	2	1139-1156-01	Bussning	Bushing	
74	2	1139-1415-01	Bussning	Bushing	
75	1	1139-1260-01	Bromssko	Brake Shoe	/KTM10M/
83	1	1139-1450-01	Tätningshuv	Sealing Cap	/KTM10M/
99	1	1139-1443-01	Tätningmedel	Sealant (Tube)	/KTM10M/
200	1	1139-1436-01	Servicesats	Seal Kit	/KTM10M/



Utgåva Issue 11 - 2015		Transmission			
Pos. Fig.	Antal Q.ty	Art nr Part No	Benämning	Description	Anmärkning Notes
1	1	1137-0125-01	Transaxel K574F	Transaxle K574F	Kanzaki K574F
2	1	1139-1470-01	Hus-Övre	Housing-Upper	Pos 74 incl.
3	1	1139-1456-01	Hus-Nedre	Housing-Lower	
5	1	1139-1301-01	Rör	Tube	
6	2	1139-1336-01	Slangklämma	Cobra Clip	
7	1	1139-1306-01	Adapter	Adaptor	
8	2	1139-1150-01	Magnet	Magnet	
9	1	1139-1341-01	Magnethallare	Magnet Holder	
11	1	1139-1347-01	Fjäder	Spring	
12	1	1139-1251-01	Axel	By-Pass Shaft	
13	1	1139-1189-01	Arm	By-Pass Lever	
14	1	1139-1161-01	Lasring	Ring	
15	1	1139-1275-01	Plugg	Bore Plug	
16	1	1139-1104-01	Lasring	Snap Ring	
17	2	1139-1103-01	Bricka	Washer	
18	2	1139-1500-01	Dräneringsbult-Sats	Drain Bolt Kit	Pos 17 incl.
20	1	1139-1119-01	Tätning	Seal 15*35*7	
21	4	1139-1455-01	Skruv	Screw	
22	12	1139-0244-01	Skruv	Screw	
24	1	1139-1605-01	Centrumhus	Center Case	
25	1	1139-1158-01	Stift	Pin	
27	2	1139-1294-01	Bult	Bolt	
28	2	1139-1468-01	Ventil	Ids Valve	
29	2	1139-1243-01	Fjäder	Spring	
30	2	1139-1307-01	Filter	Filter	
31	1	1139-1356-01	Cylinderblock Kpl	Cylinder Block Kit	
32	1	1139-1245-01	Fjäder	Pump Spring	
33	1	1139-1724-01	Pumpaxel Kpl	Pump Shaft Assy	Pos 96 incl.
34	3	1139-1146-01	Lasring	Ring	
35	1	1139-1110-01	Kullager	Ball Bearing	
36	1	1139-1458-01	Hus	Housing	
37	1	1139-1438-01	Lager	Bearing	
38	1	1139-1509-01	Cylinderblock Kpl	Cylinder Block Kit	
39	1	1139-1160-01	Bricka	Washer	
40	1	1139-1353-01	Motoraxel	Motor Shaft	
41	1	1139-1021-01	Lasring	Snap Ring	
42	1	1139-1272-01	Motordrev	Motor Gear	
43	1	1139-1453-01	Lager	Bearing	
44	2	1139-1066-01	Tryckplatta	Use 1139-1141-01	
45	1	1139-1597-01	Stänkplatta	Swash Plate	
46	1	1139-1508-01	Lager	Thrust Bearing Kit	
49	1	1139-1354-01	Regleraxel	Control Shaft	
50	1	1139-1410-01	Vridcentrum	Fulcrum	
51	1	1139-1312-01	Vridfjäder	Torsion Spring	
52	1	1139-1409-01	Reglerarm	Lever	
53	1	1139-1325-01	Reglerarm	Control Lever	
54	1	1139-1596-01	Ryckplatta	Jerky Plate	
55	1	1139-1102-01	Bricka	Washer	
56	1	1139-1355-01	LasSprint	Cotter Pin	



Utgåva Issue 11 - 2015		Transmission		Transmission	
Pos. Fig.	Antal Q.ty	Art nr Part No	Benämning	Description	Anmärkning Notes
57	1	1139-1329-01	Stift	Pin	
58	1	1139-1285-01	Stift	Pin	
60	1	1139-1127-01	Mutter	Nut	
61	1	1139-1404-01	Differentialdrev Kpl	Diff.Gear Kit	
62	1	1139-1258-01	Slutdrev	Final Gear	
63	1	1139-1255-01	Hylsa	Collar	
64	1	1139-1256-01	reduktionsaxel	Reduction Shaft	
65	2	1139-1398-01	Bricka	Washer	
66	1	1139-1267-01	Reduktionsdrev	Reduction Gear	
67	1	1139-1361-01	Slutdrev	Final Pinion Gear	
68	1	1139-1344-01	Hjulaxel Vä	Axle Shaft-L	
69	1	1139-1345-01	Hjulaxel Hö	Axle Shaft-R	
70	2	1139-1078-01	Bricka	Thrust Washer	
71	2	1139-1163-01	Lasring	Ring	
72	2	1139-1080-01	Tätning	Seal 19*32*8	
73	2	1139-1164-01	Bussning	Bushing	
74	2	1139-1414-01	Bussning	Bushing	
75	1	1139-1260-01	Bromssko	Brake Shoe	
76	1	1139-1261-01	Bromsarm	Brake Arm	
77	1	1139-1320-01	Bromsaxel	Brake Shaft	
78	1	1139-1411-01	Returfjäder	Return Spring	
79	1	1139-1264-01	Tryckplatta	Brake Actuator	
80	1	1139-1282-01	Stift	Pin	
82	2	1139-1281-01	Stift	Pin	
83	2	1139-1248-01	Krage	Spline Collar	
84	1	1139-1469-01	Remskiva	Pulley	
85	1	1134-4190-01	Fläkt	Fan	
88	1	1139-1276-01	Bricka	Collar	
89	4	1139-1166-01	Stift	Pin	
90	1	1139-1280-01	Stift	Pin	
91	1	1139-1303-01	Tätning	Seal Ring	
92	1	1139-1534-01	O-Ring	O-Ring	
93	1	1139-1510-01	Lock	Cap Kit	Pos 92 incl.
94	1	1139-1186-01	Filter	Filter	
95	1	1139-1279-01	Stift	Pin	
96	1	1139-1148-01	Stift	Pin	
99	1	1139-1443-01	Tätning	Sealant (Tube)	
100	1	1139-1462-01	Ventil	Valve	
101	1	1139-1234-01	Ventil	Check Cmp	
102	1	1139-1463-01	Ventil	Valve	
105	1	1139-0239-01	Packning	Packing	
106	2	1139-1168-01	Packning	Packing	
107	1	1139-1459-01	Nippel	Piping	
108	1	1139-1460-01	Nippel	Piping	
109	2	1139-1464-01	Anslutning	Connector	
110	1	1139-1526-01	Pumphus Kpl	Pump Case Kit	Pos 100 - 102 incl.
111	1	1139-1472-01	Bult	Bolt	
112	1	1139-1473-01	Bult	Bolt	
113	1	1139-1471-01	Bult	Bolt	



Utgåva Issue 11 - 2015		Transmission			
Pos. Fig.	Antal Q.ty	Art nr Part No	Benämning	Description	Anmärkning Notes
114	1	1139-1719-01	Bult	Bolt	
115	1	1139-1720-01	Bricka	Washer	
116	1	1139-1721-01	Bricka	Washer	
120	1	1139-1725-01	Pumpaxel Kpl	Pump Shaft Kit	Pos 33, 114-116 incl.
200	1	1139-1481-01	Sats-Tätningar	Seal Kit	
201	1	1139-1527-01	Reparationssats	Repair Kit	

code	pos.	q.ty	page										
1139-1447-01	29	2	p. 43	9547-0001-00	9	2	p. 9	9739-1031-22	20	2	p. 15		
1139-1448-01	22	11	p. 43	9549-0017-00	25	1	p. 15	9739-1031-22	21	1	p. 35		
1139-1449-01	27	2	p. 43	9549-0019-00	12	2	p. 37	9739-1031-22	24	1	p. 37		
1139-1450-01	83	1	p. 45	9549-0019-00	21	2	p. 37	9739-1031-22	31	1	p. 37		
1139-1451-01	42	1	p. 43	9570-0001-00	23	2	p. 21	9739-1031-22	46	4	p. 9		
1139-1453-01	43	1	p. 43	9578-0011-01	11	1	p. 25	9739-1031-22	51	2	p. 33		
1139-1453-01	43	1	p. 47	9578-0023-02	32	1	p. 25	9743-5121-32	7	2	p. 23		
1139-1455-01	21	4	p. 47	9578-0023-02	41	1	p. 25	9840-8013-16	28	2	p. 5		
1139-1456-01	3	1	p. 47	9578-0023-04	17	1	p. 25	9840-8013-16	33	4	p. 13		
1139-1458-01	36	1	p. 47	9578-0023-04	22	1	p. 31	9852-8013-16	8	2	p. 23		
1139-1459-01	107	1	p. 49	9578-0023-06	62	2	p. 31	9893-0616-16	2	4	p. 7		
1139-1460-01	108	1	p. 49	9578-0023-07	33	1	p. 25	9893-0616-16	3	2	p. 5		
1139-1462-01	100	1	p. 49	9578-0028-01	6	1	p. 31	9893-0616-16	8	2	p. 11		
1139-1463-01	102	1	p. 49	9578-0036-01	20	3	p. 31	9893-0616-16	11	6	p. 5		
1139-1464-01	109	2	p. 49	9579-0018-01	24	2	p. 23	9893-0616-16	18	2	p. 9		
1139-1468-01	28	2	p. 47	9595-0256-01	30	2	p. 15	9893-0616-16	20	3	p. 7		
1139-1469-01	84	1	p. 49	9595-0262-00	1	2	p. 3	9893-0616-16	22	3	p. 39		
1139-1470-01	2	1	p. 47	9595-0262-00	4	1	p. 9	9893-0616-16	23	4	p. 5		
1139-1471-01	113	1	p. 49	9598-0002-02	10	1	p. 11	9893-0616-16	26	2	p. 19		
1139-1472-01	111	1	p. 49	9599-0054-02	12	1	p. 11	9893-0616-16	27	4	p. 5		
1139-1473-01	112	1	p. 49	9599-0080-02	10	2	p. 33	9893-0616-16	28	4	p. 19		
1139-1481-01	200	1	p. 51	9600-0251-00	22	1	p. 25	9893-0616-16	40	1	p. 13		
1139-1500-01	18	2	p. 47	9632-0513-00	4	1	p. 7	9897-0820-16	2	2	p. 19		
1139-1500-01	26	1	p. 43	9632-0522-00	35	2	p. 13	9897-0820-16	5	4	p. 13		
1139-1503-01	24	1	p. 43	9653-0001-04	30	2	p. 33	9897-0820-16	22	4	p. 15		
1139-1504-01	36	1	p. 43	9665-0002-00	13	1	p. 19	9897-0820-16	30	2	p. 13		
1139-1508-01	46	1	p. 47	9665-0002-00	28	2	p. 9	9897-0880-12	4	2	p. 13		
1139-1509-01	38	1	p. 43	9695-0011-00	31	1	p. 15	9897-1040-12	14	2	p. 15		
1139-1509-01	38	1	p. 47	9699-0030-02	5	1	p. 21	9898-1035-16	18	2	p. 3		
1139-1510-01	93	1	p. 49	9699-0030-02	23	2	p. 37	9898-1035-16	50	2	p. 33		
1139-1526-01	110	1	p. 49	9699-0030-02	43	4	p. 9	9924-1035-16	3	1	p. 29		
1139-1527-01	201	1	p. 51	9699-0030-02	52	2	p. 9	9939-0612-16	31	2	p. 31		
1139-1534-01	92	1	p. 49	9699-0035-02	12	4	p. 15	9939-0612-16	45	3	p. 15		
1139-1596-01	54	1	p. 47	9699-0035-02	13	2	p. 9	9943-0516-16	15	2	p. 23		
1139-1597-01	45	1	p. 47	9699-0060-02	5	2	p. 5	9943-0516-16	17	1	p. 19		
1139-1603-01	5	1	p. 43	9699-0060-02	9	2	p. 23	9943-0516-16	30	2	p. 9		
1139-1604-01	2	1	p. 43	9699-0060-02	23	1	p. 29	9943-0516-16	51	2	p. 25		
1139-1605-01	24	1	p. 47	9699-0087-02	36	1	p. 13	9945-0816-16	8	6	p. 5		
1139-1719-01	114	1	p. 51	9699-0090-02	8	2	p. 15	9945-0816-16	20	2	p. 9		
1139-1720-01	115	1	p. 51	9699-0090-02	30	1	p. 29	9945-0816-16	26	1	p. 15		
1139-1721-01	116	1	p. 51	9699-0090-02	47	2	p. 19	9945-0816-16	41	2	p. 37		
1139-1723-01	24	1	p. 43	9699-0090-02	55	1	p. 29	9945-0816-16	57	2	p. 29		
1139-1724-01	33	1	p. 47	9699-0099-02	16	2	p. 5	9946-0525-16	19	3	p. 5		
1139-1725-01	120	1	p. 51	9699-0099-02	51	4	p. 13	9946-0525-16	39	4	p. 19		
1139-2074-01	44	1	p. 15	9699-0103-02	2	1	p. 3	9946-0525-16	43	2	p. 5		
1139-2106-01	43	1	p. 15	9699-0109-02	16	1	p. 37	9947-0540-19	32	2	p. 33		
4231-0013-00	8	1	p. 21	9699-0114-02	3	1	p. 3	9950-0570-12	20	2	p. 5		
4231-0013-00	33	1	p. 29	9699-0120-02	5	1	p. 7	9959-0612-16	26	2	p. 37		
9400-0280-03	50	1	p. 19	9710-0631-12	55	1	p. 15	9959-0612-16	53	4	p. 25		
9400-0282-01	48	2	p. 19	9731-1031-22	6	4	p. 25	9959-0620-16	28	2	p. 21		
9400-0290-01	99	1	p. 19	9731-1031-22	6	6	p. 33	9959-0620-16	44	4	p. 21		
9400-0296-01	46	1	p. 19	9731-1031-22	26	6	p. 33	9959-0820-16	9	2	p. 25		
9400-0343-01	51	1	p. 19	9731-1031-22	51	4	p. 9	9959-0820-16	10	2	p. 21		
9400-0358-01	33	2	p. 23	9731-1031-22	52	2	p. 29	9959-0820-16	14	2	p. 3		
9404-0028-01	49	1	p. 11	9739-0531-22	24	2	p. 21	9959-0820-16	15	2	p. 31		
9404-0028-01	64	1	p. 17	9739-0531-22	37	2	p. 19	9959-0820-16	16	2	p. 21		
9404-0029-01	24	3	p. 31	9739-0631-22	7	1	p. 29	9959-0820-16	17	1	p. 7		
9501-0500-00	5	1	p. 9	9739-0631-22	27	2	p. 37	9959-0820-16	21	2	p. 9		
9501-0500-00	10	2	p. 9	9739-0631-22	29	2	p. 21	9959-0820-16	28	1	p. 23		
9501-0502-00	49	2	p. 33	9739-0631-22	43	2	p. 11	9959-0820-16	31	2	p. 21		
9501-0504-01	6	1	p. 9	9739-0631-22	45	4	p. 21	9959-0820-16	33	2	p. 5		
9545-0116-00	4	2	p. 33	9739-0631-22	54	4	p. 27	9959-0820-16	38	1	p. 25		
9545-0116-00	24	2	p. 33	9739-0631-22	60	2	p. 15	9959-0825-16	7	1	p. 31		
9545-0203-00	99	4	p. 33	9739-1031-22	5	1	p. 37	9959-0825-16	28	1	p. 29		
9545-0500-00	5	2	p. 33	9739-1031-22	6	1	p. 21	9959-1025-16	14	2	p. 9		
9545-0500-00	25	2	p. 33	9739-1031-22	15	4	p. 15	9959-1025-16	41	1	p. 35		
				9739-1031-22	19	2	p. 3	9959-1025-16	43	1	p. 35		

code	pos.	q.ty	page									
9960-0860-12	25	4	p. 29	112521360/0	14	1	p. 37	187000454/0	23	2	p. 33	
9960-0860-12	47	2	p. 29	112523040/0	38	2	p. 7	187040311/0	40	1	p. 23	
9960-0860-12	64	4	p. 29	112523050/0	8	2	p. 39	322672201/0	44	4	p. 9	
9997-0818-02	17	2	p. 13	112523060/0	9	4	p. 5	337060000/1	20	1	p. 39	
9997-0835-16	18	1	p. 21	112523060/0	16	1	p. 29	337060001/1	11	1	p. 39	
9997-0880-16	54	1	p. 29	112523060/0	21	1	p. 13	337060002/0	21	1	p. 39	
9997-1011-06	22	1	p. 37	112523060/0	25	1	p. 35	337060004/0	30	1	p. 39	
9997-1011-06	42	4	p. 9	112524010/0	13	2	p. 39	337207611/0	28	1	p. 25	
9997-1040-16	20	1	p. 35	112530060/0	44	4	p. 25	337394201/0	57	1	p. 15	
9997-1040-16	51	2	p. 29	112583500/0	73	1	p. 17	337546545/0	4	1	p. 37	
9997-1070-12	4	1	p. 21	112604896/0	40	1	p. 31	337546547/0	32	2	p. 35	
112154220/0	3	2	p. 19	112604896/0	56	1	p. 31	337580550/0	75	1	p. 17	
112154220/0	10	2	p. 25	112620299/0	72	1	p. 17	337600001/2	38	1	p. 37	
112154220/0	11	1	p. 21	112689515/0	33	1	p. 37	337600010/0	2	1	p. 39	
112154220/0	15	2	p. 3	112689515/0	42	2	p. 11	337600011/0	3	1	p. 39	
112154220/0	16	2	p. 31	112691100/0	34	1	p. 31	337670201/0	63	1	p. 17	
112154220/0	17	2	p. 21	112691200/0	29	1	p. 29	337785100/0	14	1	p. 39	
112154220/0	18	1	p. 7	112691800/0	27	1	p. 35	387520107/0	71	1	p. 17	
112154220/0	19	1	p. 7	112692395/1	6	1	p. 37	387602511/0	25	1	p. 13	
112154220/0	19	1	p. 21	112727793/0	4	3	p. 25	387773509/0	8	1	p. 13	
112154220/0	22	2	p. 9	112728697/0	27	3	p. 13	387773513/0	42	1	p. 13	
112154220/0	23	4	p. 15	112728697/0	39	3	p. 21	387800013/0	1	1	p. 9	
112154220/0	26	1	p. 35	112728697/0	41	2	p. 5					
112154220/0	29	1	p. 23	112728697/0	46	2	p. 5					
112154220/0	31	4	p. 13	112728697/0	49	4	p. 13					
112154220/0	32	2	p. 21	112735105/0	21	2	p. 23					
112154220/0	34	2	p. 5	112735669/0	7	2	p. 39					
112154220/0	35	2	p. 31	112737315/0	24	1	p. 25					
112154220/0	39	1	p. 11	112760515/0	43	2	p. 25					
112154220/0	62	4	p. 29	112788512/0	14	1	p. 25					
112154330/0	21	2	p. 5	112789000/0	36	2	p. 19					
112154330/0	25	2	p. 21	112791500/0	6	1	p. 29					
112154510/0	1	1	p. 39	112791500/0	18	1	p. 39					
112154510/0	5	1	p. 23	112791500/0	31	1	p. 39					
112154510/0	6	2	p. 5	112791500/0	35	2	p. 7					
112154510/0	8	1	p. 29	112791500/0	39	4	p. 25					
112154510/0	10	2	p. 39	112792099/0	4	1	p. 39					
112154510/0	13	1	p. 29	112792099/0	12	2	p. 39					
112154510/0	16	2	p. 39	112792410/0	37	1	p. 37					
112154510/0	19	1	p. 39	112793102/0	33	1	p. 35					
112154510/0	19	2	p. 31	112793102/0	74	1	p. 17					
112154510/0	32	1	p. 29	112793301/0	44	4	p. 13					
112154510/0	32	2	p. 39	112793301/0	61	4	p. 29					
112154510/0	34	1	p. 37	112793905/0	15	1	p. 29					
112154510/0	37	1	p. 25	112794300/0	19	2	p. 15					
112154510/0	39	1	p. 37	112794900/0	5	4	p. 25					
112154510/0	41	1	p. 13	112794900/0	13	2	p. 15					
112155000/0	6	6	p. 13	112794900/0	30	1	p. 37					
112155000/0	9	2	p. 15	112815200/0	29	2	p. 5					
112155000/0	11	2	p. 13	112815200/0	59	2	p. 15					
112155000/0	12	1	p. 21	114358460/0	5	1	p. 41					
112155000/0	14	1	p. 19	114367494/2	1	3	p. 41					
112155000/0	17	1	p. 29	114368323/0	4	1	p. 41					
112155000/0	22	1	p. 13	114368429/0	6	1	p. 41					
112155000/0	26	4	p. 29	114368470/0	2	2	p. 41					
112155000/0	29	2	p. 9	118210027/0	11	1	p. 3					
112155000/0	31	2	p. 29	118375051/1	46	1	p. 25					
112155000/0	48	2	p. 29	118450079/0	42	1	p. 19					
112155000/0	56	1	p. 29	118564861/1	23	1	p. 23					
112155000/0	65	4	p. 29	125160012/0	37	2	p. 7					
112293201/0	34	1	p. 35	125510048/1	45	1	p. 25					
112295200/0	4	1	p. 29	133320027/0	24	5	p. 23					
112379511/0	50	1	p. 29	133320027/0	31	4	p. 11					
112521330/0	15	2	p. 39	133320506/0	47	1	p. 25					
112521330/0	32	2	p. 31	137038000/0	36	1	p. 37					
112521360/0	7	1	p. 37	187000203/0	15	1	p. 19					
				187000454/0	3	2	p. 33					