



Reservdelskatalog Parts Catalogue

Park 540 LPX

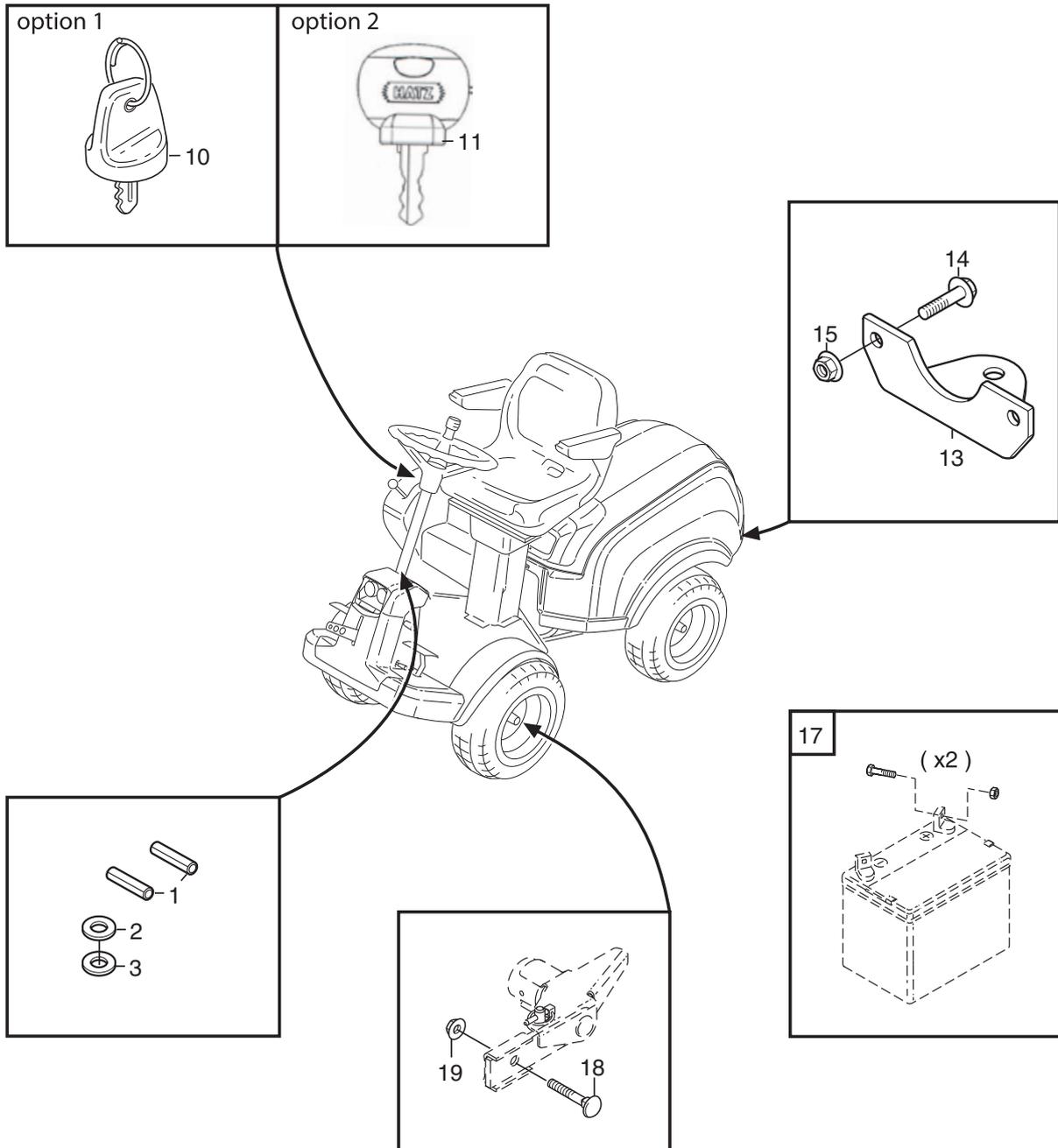
13-6381-31 - Season 2015

- Use GLOBAL GARDEN PRODUCT Genuine Spare Parts specified in the parts list for repair and/or replacement.
 - The contents described in the parts list may change due to improvement.
 - The drawings of the spare parts are only indicative and might not represent the part in question exactly.
 - The indications "right" - "left" - "front" - "rear" refer to the position of the operator when using the machine.
- When placing orders of parts for repair and/or replacement, make sure that the illustrated parts list is the one applying to the machine's year of manufacture, as shown on the identification plate attached to the machine.

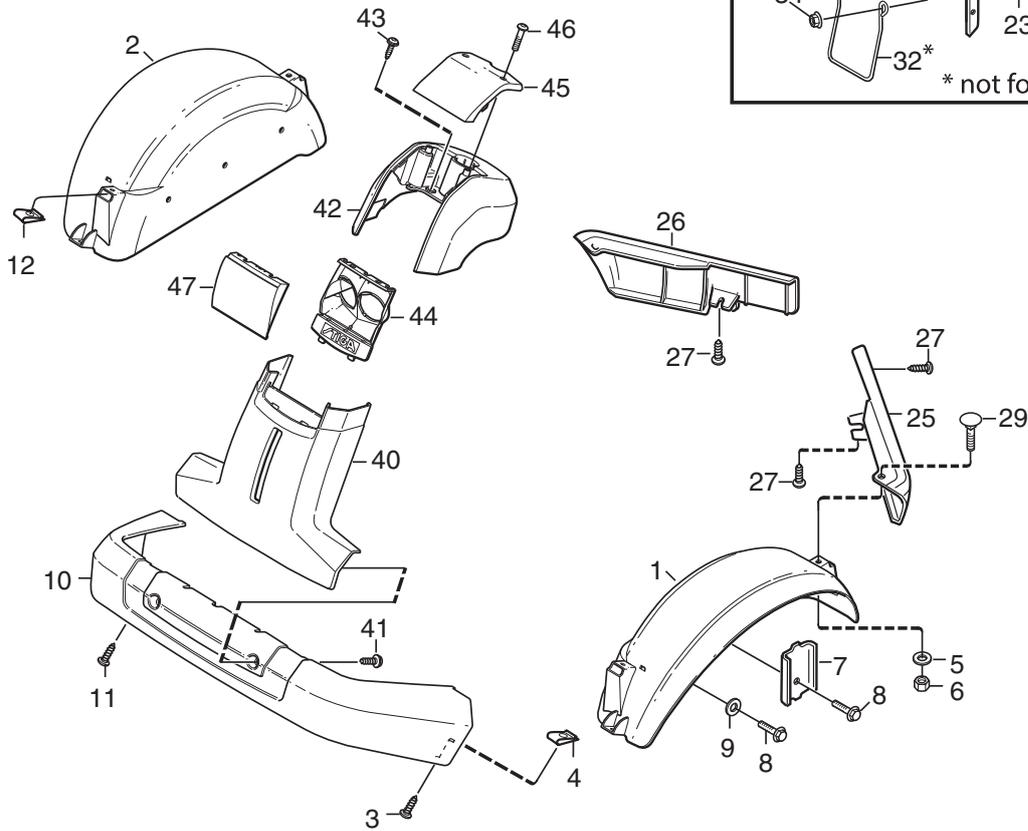
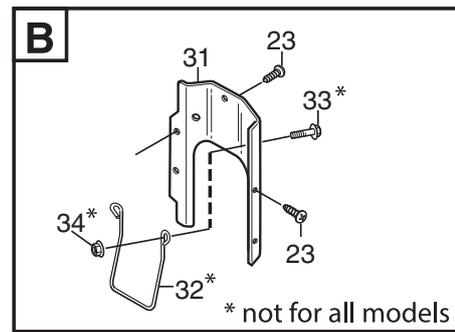
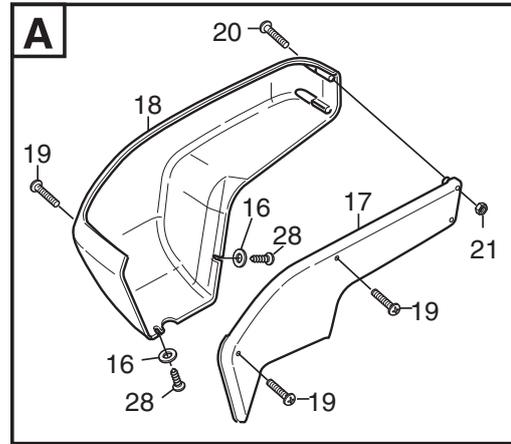
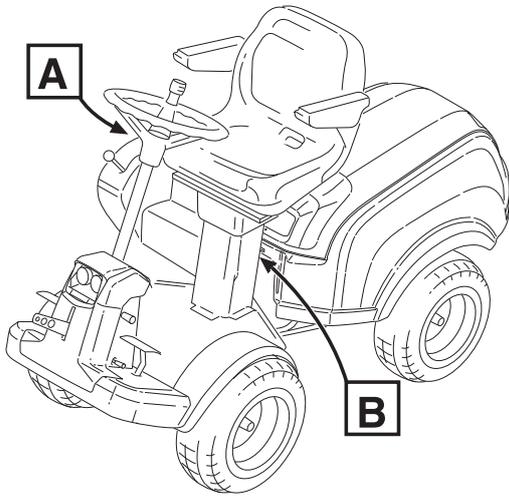
© Copyright 2015 Global Garden Products

All rights reserved. No part of this material may be reproduced or transmitted, in any form or by any means, electronic or mechanical, including photocopying, recording or by any information storage and retrieval system, without permission in writing from GLOBAL GARDEN PRODUCTS.

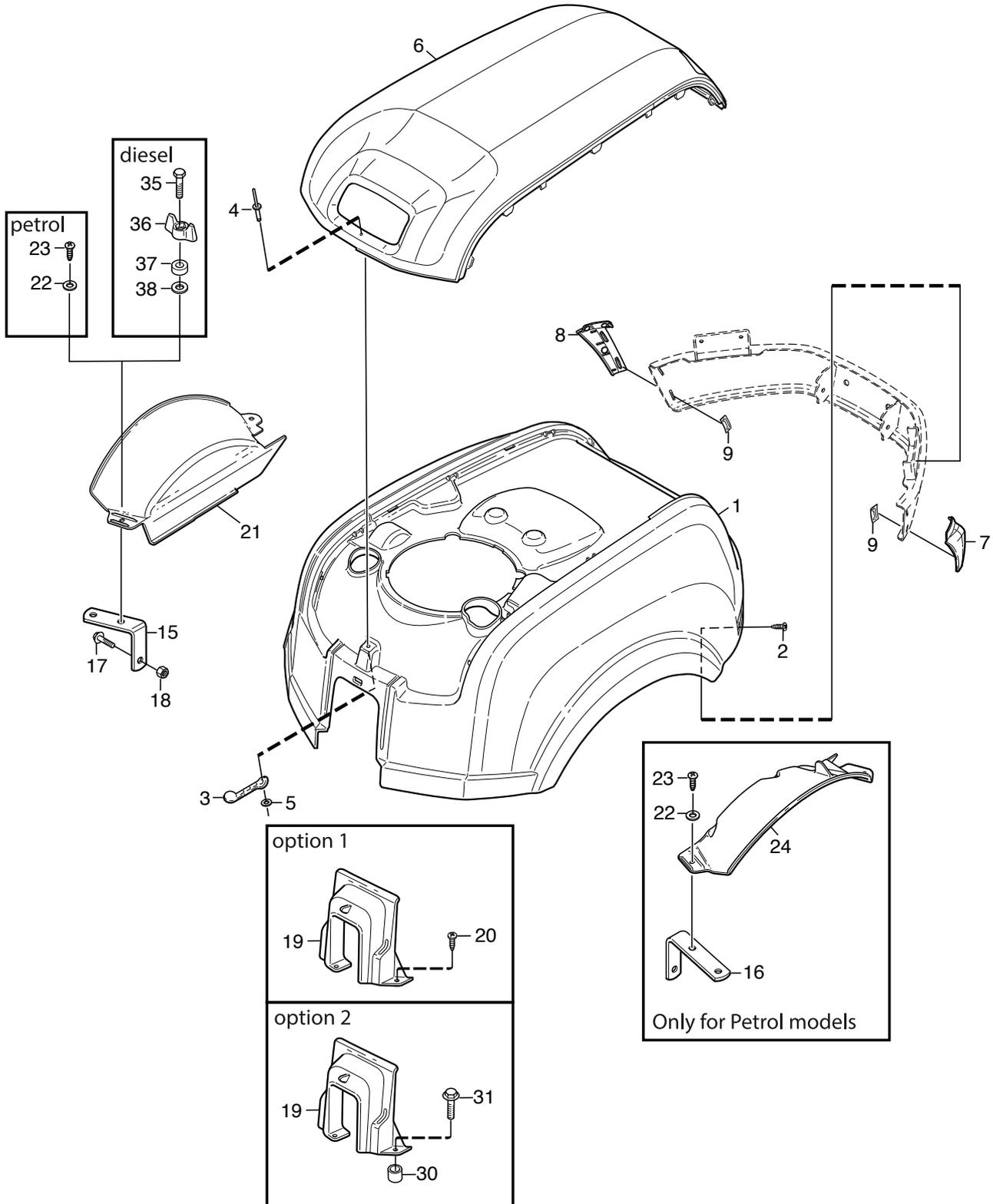
www.stiga.com



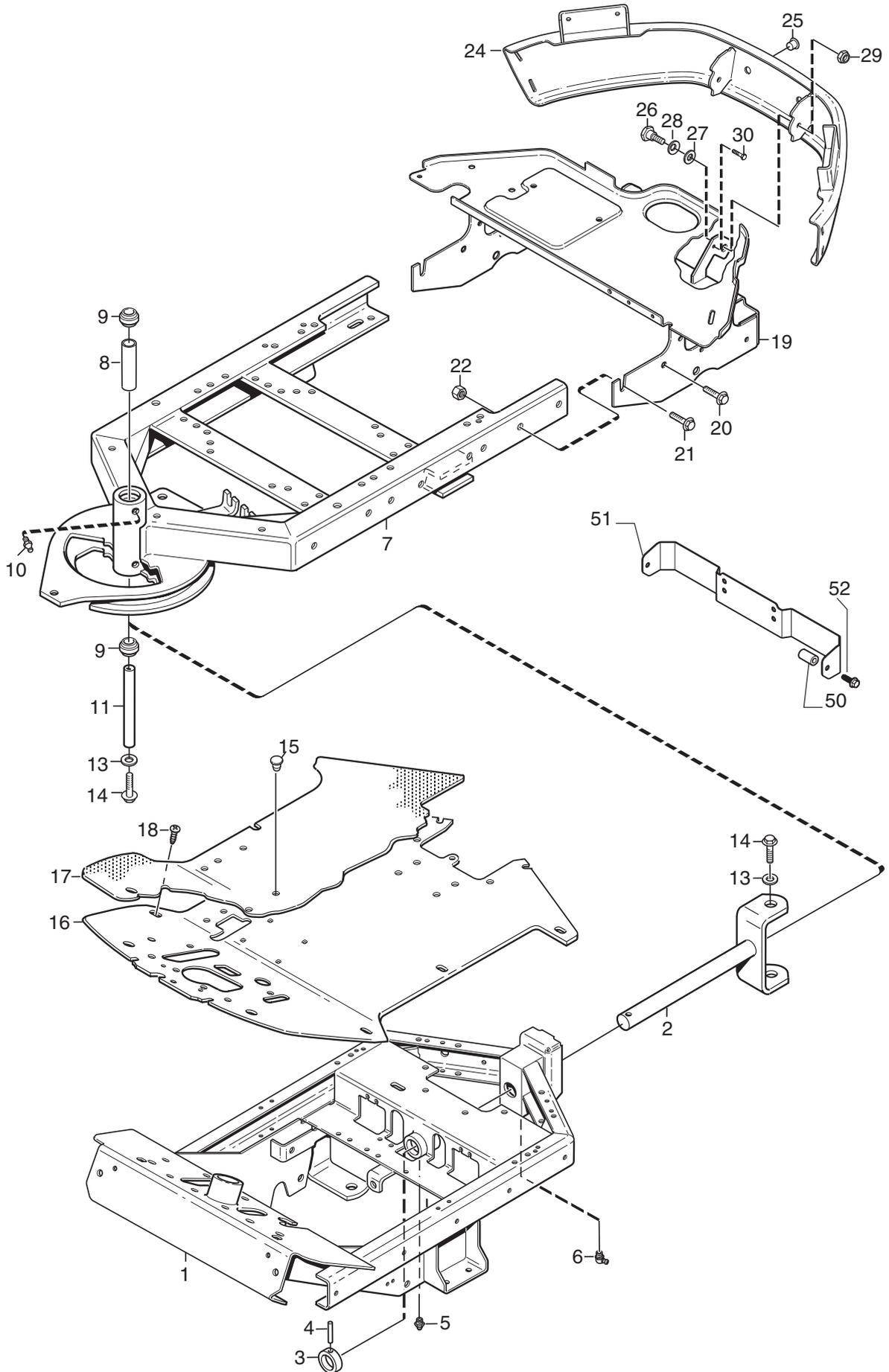
Utgåva Issue 11 - 2015		Monteringsdetaljer Assembly parts			
Pos. Fig.	Antal Q.ty	Art nr Part No	Benämning	Description	Anmärkning Notes
1	2	9595-0262-00	Spännstift	Locating Pin	0.5 mm
2	1	9699-0103-02	Bricka	Washer	1.0 mm
3	1	9699-0114-02	Bricka	Washer	1.0 mm
10	2	1134-4734-01	Tändningsnyckel	Ignition Key	
13	1	1134-5512-01	Dragplat5-01	Towing Plate	
14	2	9959-0820-16	Skruv	Screw	
15	2	112154220/0	Mutter	Nut	
17	1	1134-6113-02	Skruv	Screw	
18	2	9898-1035-16	Skruv	Screw	
19	2	9739-1031-22	Mutter	Nut	



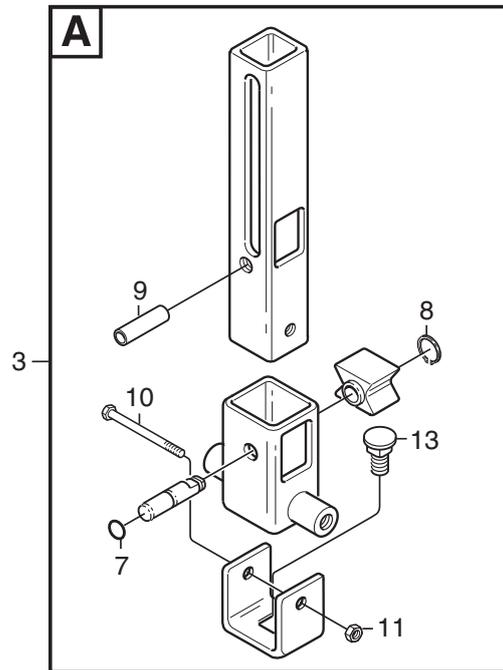
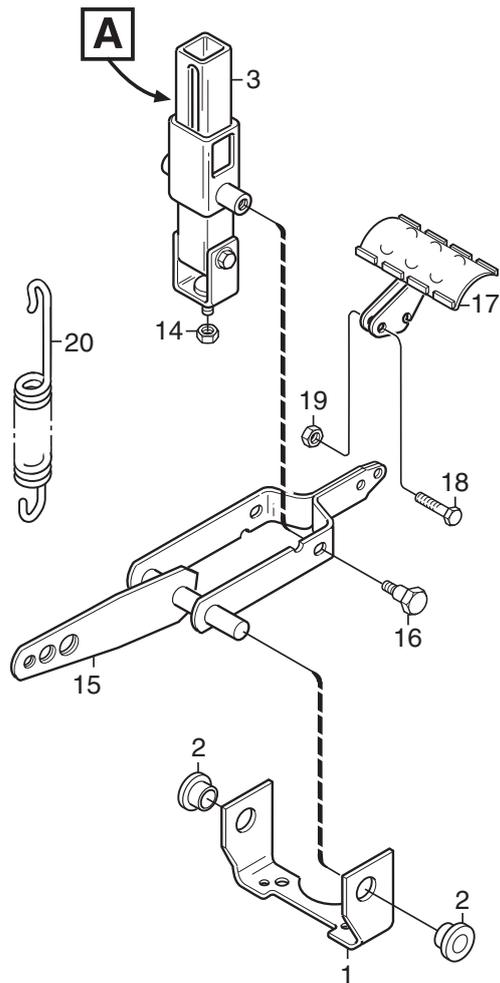
Utgåva Issue 11 - 2015		Kaross Body works			
Pos. Fig.	Antal Q.ty	Art nr Part No	Benämning	Description	Anmärkning Notes
1	1	1137-0048-01	Framskärm-Vä	Mud Guard, Front-Lh	
2	1	1137-0048-02	Framskärm-Hö	Mud Guard, Front-Rh	
3	2	9893-0616-16	Skruv Relä	Screw Relay	
4	2	1134-4176-01	Clips	Clips	
5	2	9699-0060-02	Bricka	Washer	
6	2	112154510/0	Mutter	Nut	
7	2	1137-0088-01	Stödplat	Support Plate	
8	6	9945-0816-16	Skruv	Screw	
9	4	112523060/0	Bricka	Washer	
10	1	1137-0049-01	Stötfångare-Fram	Front Bumper	
11	6	9893-0616-16	Skruv Relä	Screw Relay	
12	2	1134-4176-01	Clips	Clips	
16	2	9699-0099-02	Bricka	Washer	
17	1	1134-4360-01	Kapa-Inre (1-00)	Cover-Inner	
18	1	1134-3979-01	Kapa Yttre1-00	Cover-Outer	
19	3	9946-0525-16	Skruv	Screw	
20	2	9950-0570-12	Skruv	Screw	
21	2	112154330/0	Mutter	Nut	
23	4	9893-0616-16	Skruv Relä	Screw Relay	
25	1	1134-3970-05	Kantlist-Vä (Gra) 7-14	Moulding-Left (Grey)	
26	1	1134-3970-02	Kantlist-Hö (Gra) 7-14	Moulding Right-Grey	
27	4	9893-0616-16	Skruv Relä	Screw Relay	
28	2	9840-8013-16	Skruv	Screw	
29	2	112815200/0	Skruv	Screw	
31	1	1134-6461-01	Bakstycke 1-00	Rear Plate	
32	1	1134-6460-01	Skyddsbygel	Protective Loop	not in all models
33	2	9959-0820-16	Skruv	Screw	not in all models
34	2	112154220/0	Mutter	Nut	not in all models
40	1	1137-0050-01	Frontkapa-Nedre	Front Panel-Lower	
41	2	112728697/0	Skruv	Screw	
42	1	1137-0051-01	Frontkapa-Övre	Front Panel-Upper	
43	2	9946-0525-16	Skruv	Screw	
44	1	1137-0052-01	Lamphallare	Lamp Holder	
45	1	1137-0053-01	Toppkapa	Top Panel	
46	2	112728697/0	Skruv	Screw	
47	1	1137-0054-01	Lampglas	Lamp Glass	



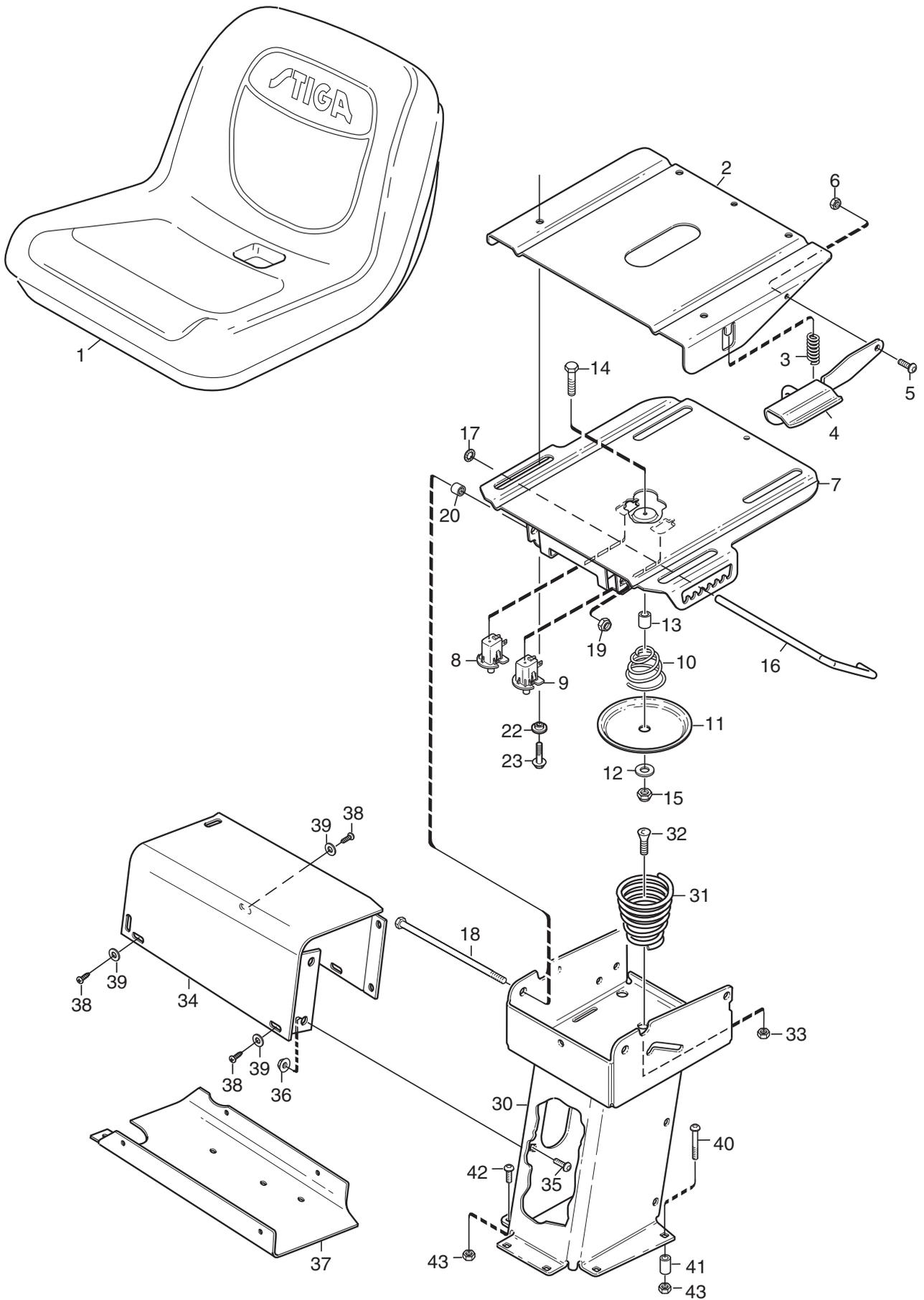
Utgåva Issue 11 - 2015		Kaross Body works			
Pos. Fig.	Antal Q.ty	Art nr Part No	Benämning	Description	Anmärkning Notes
1	1	1134-6025-01	Motorhuv(1-00)	Engine Hood	
2	4	9893-0616-16	Skruv Relä	Screw Relay	
3	1	1134-9028-01	Gummistropp (3 St)	Rubber Strap (3 Pcs)	Sats 3 st/kit of 3
4	1	9632-0513-00	Popnit1-0420 Bs [Tap/D Bs] 3,2X20	Pop Rivet	
5	1	9699-0120-02	Bricka	Washer	
6	1	1134-6026-01	Motorlucka (7-14)	Engine Cover	
7	1	1134-6027-01	Ändavslut Stötfangare-Vä	Bumper End-Lh	
8	1	1134-6027-02	Ändavslut Stötfangare-Hö	Bumper End-Rh	
9	4	1134-6310-01	Clips	Clip	
15	1	1134-4012-03	Stöd-Hö	Support, Right	
16	1	1134-4012-04	Stöd-Vä	Support, Left	Not for Diesel models
17	1	9959-0820-16	Skruv	Screw	
18	1	112154220/0	Mutter	Nut	
19	1	112154220/0	Mutter	Nut	
20	3	9893-0616-16	Skruv Relä	Screw Relay	
21	1	1134-4800-01	Innerskärm-Hö (Park)	Inner Mud Guard-Rh (Park)	
22	4	9699-0060-02	Bricka	Washer	Not for Diesel models
23	4	9893-0616-16	Skruv Relä	Screw Relay	Not for Diesel models
24	1	1134-4801-01	Innerskärm-Vä (Park)	Inner Mud Guard-Lh (Park)	Not for Diesel models



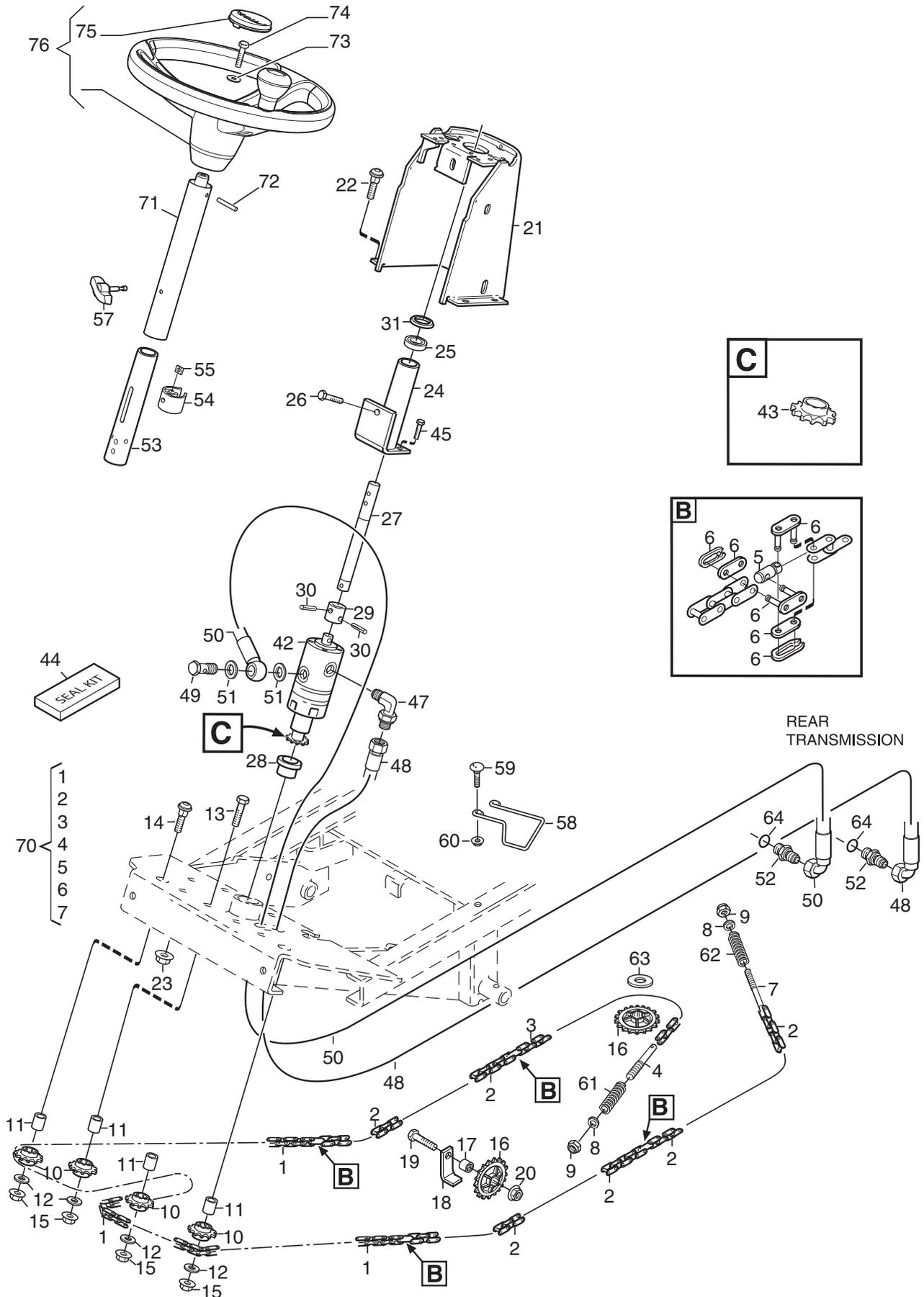
Utgåva Issue 11 - 2015		Ram		Frame	
Pos. Fig.	Antal Q.ty	Art nr Part No	Benämning	Description	Anmärkning Notes
1	1	387800013/0	Ram-Främre	Frame-Front	Incl. 2-3-4-5-6
2	1	1134-3963-02	Midjegaffel Service 5-01 H10	Fork	
3	1	1134-0031-00	Ledaxelstopp	Pivot Shaft Stop	
4	1	9595-0262-00	Spännstift	Locating Pin	
5	1	9501-0500-00	Smörjkopp Kort Rak	Grease Dispenser	Rak/straight
6	1	9501-0504-01	Smörjnippel	Grease Nipple M6 90	90°
7	1	1134-6466-02	Ram-Bakre Kpl	Frame-Rear Assy	Incl. 8-9-10
8	1	1134-5705-01	Distans	Spacer	
9	2	9547-0001-00	Ledlager Ge17Es	Bearing	
10	2	9501-0500-00	Smörjkopp Kort Rak	Grease Dispenser	
11	1	1134-5988-01	Centrumaxel	Centre Shaft	
13	2	9699-0035-02	Bricka	Washer	
14	2	9959-1025-16	Skruv	Screw	
15	2	9403-0048-70	Täckpropp Ikpt 13-6,5S	Cover Plug	
16	1	1134-6586-01	Durk (5-01)	Floor Plate	
17	1	1134-6372-04	Durkmatta	Floor Mat Hst	
18	2	9893-0616-16	Skruv Relä	Screw Relay	
19	1	1134-5944-01	Tankhylla Kpl. 5-01	Tank Shelf Assy	
20	2	9945-0816-16	Skruv	Screw	
21	2	9959-0820-16	Skruv	Screw	
22	2	112154220/0	Mutter	Nut	
24	1	1134-5676-01	Stötfangare	Rear Bumper	
25	2	1134-4100-01	Täckpropp	Plug	
26	2	1134-0240-00	Skruv	Screw	
27	2	1134-4242-01	Distansbricka	Washer	
28	2	9665-0002-00	Bricka	Washer	
29	2	112155000/0	Mutter	Nut	
30	2	9943-0516-16	Skruv	Screw	
50	1	1134-1565-09	Distans	Spacer	
51	1	387602503/0	Skydd	Protection	
52	2	9945-0825-16	Skruv	Screw	



Utgåva Issue 11 - 2015		Pedallyft Pedal lift			
Pos. Fig.	Antal Q.ty	Art nr Part No	Benämning	Description	Anmärkning Notes
1	1	1134-4117-01	Fäste	Bracket	
2	2	1134-2684-01	Lager	Bearing	
3	1	1134-4945-01	Lyftspärr kpl	Lift Catch Assy	
7	1	9404-0027-01	O-ring	O-ring	
8	1	9650-0039-04	Sparring Sga 8	Lock Ring	
9	1	9595-0276-01	Spiralspännstift 8*24	Locating Pin	
10	1	112689500/0	Skruv	Screw	
11	1	112154510/0	Mutter	Nut	
13	1	9897-0820-16	Skruv	Screw	
14	1	112155000/0	Mutter	Nut	
15	1	112155000/0	Mutter	Nut	
16	2	1134-0240-00	Skruv	Screw	
17	1	1134-4938-01	Lyftpedal	Lift Pedal	
18	2	112791500/0	Skruv	Screw	
19	2	9739-0631-22	Mutter	Nut	
20	1	4231-0013-00	Fjäder	Spring	

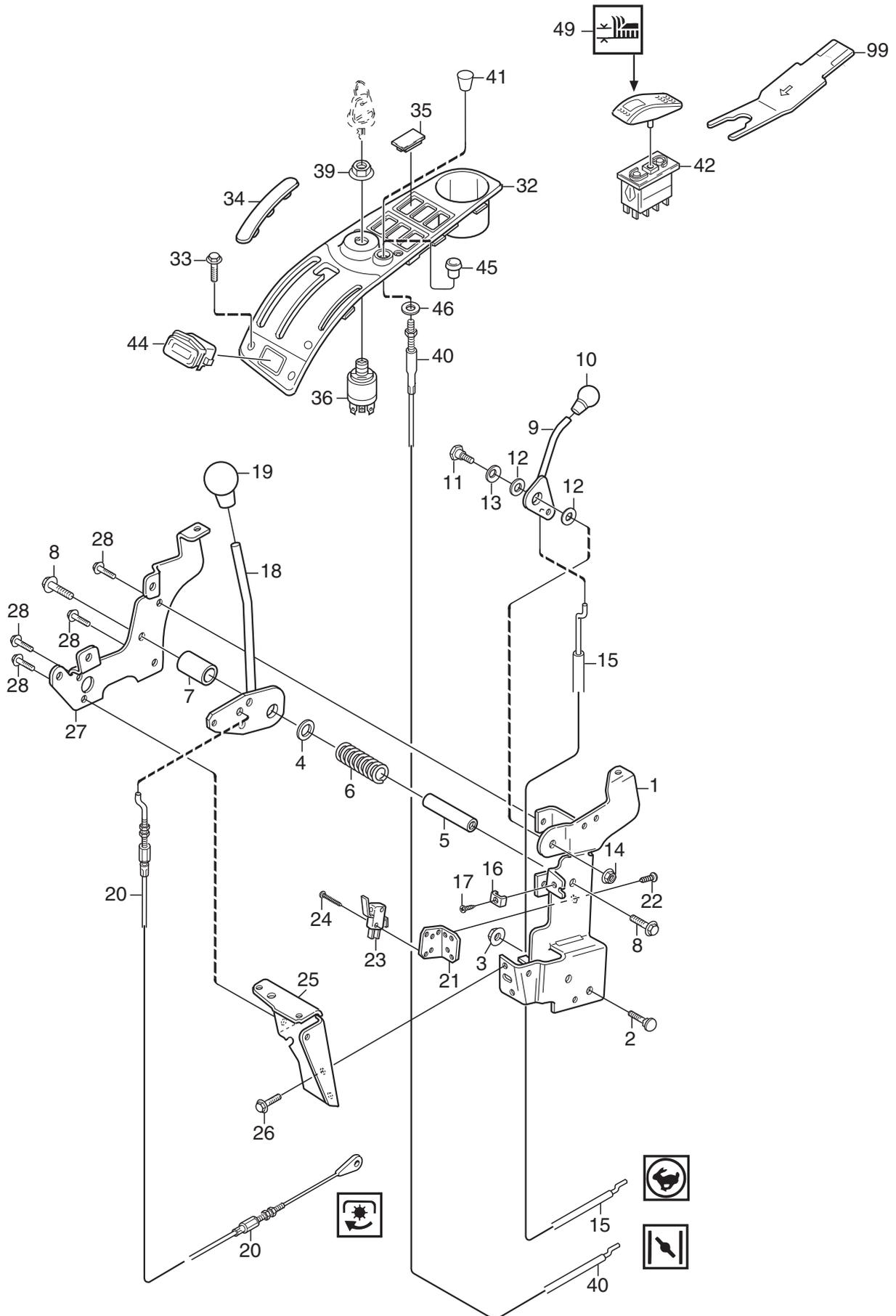


Utgåva Issue 11 - 2015		Seat			
Pos. Fig.	Antal Q.ty	Art nr Part No	Benämning	Description	Anmärkning Notes
1	1	1134-6444-01	Sits (Xb 150) Stiga	Seat	
2	1	1134-6090-01	Glidplatta-Övre 5-01	Slide Plate-Upper	
3	1	1134-3262-01	Fjäder	Spring	
4	1	1134-6073-01	Handtag Kpl 5-01	Handle Assy	
5	1	9893-0616-16	Skruv Relä	Screw Relay	
6	1	112154510/0	Mutter	Nut	
7	1	1134-6068-01	Glidplatta-Undre Kpl 5-01	Slide Plate-Lower	
8	1	1134-3156-01	Brytare	Switch	
9	1	1134-3156-02	Brytare (gra)	Switch	
10	1	1134-5302-01	Fjäder	Spring	
11	1	1134-5299-01	Tryckplatta	Push Plate	
12	1	9699-0090-02	Bricka Bricka	Washer Washer	
13	1	1134-1565-06	Distans	Spacer	
14	1	112691115/0	Skruv	Screw	
15	1	112155000/0	Mutter	Nut	
16	1	1134-5179-01	Spärr	Catch	
17	1	112604899/0	Starlock P6704 8 Fz	Crown Fastener	
18	1	9997-0818-02	Skruv	Screw	
19	2	112155000/0	Mutter	Nut	
20	2	1134-5626-03	Distans	Spacer	
22	4	1134-6078-01	Bricka	Flange Washer	
23	4	9959-0820-16	Skruv	Screw	
30	1	1134-5698-01	Sitskonsol Kpl 1-00	Seat Bracket Assy	
31	1	1134-4256-01	Fjäder	Spring	
32	1	9924-1235-19	Skruv	Screw	
33	1	112156603/0	Mutter	Nut	
34	1	1134-3990-01	Armsvep Kpl 041-00	Attachment-Side Panel	
35	2	9897-0820-16	Skruv	Screw	
36	2	112154220/0	Mutter	Nut	
37	1	1134-4130-01	Undre Lock (1-00)	Cover Lower	
38	4	9840-8013-16	Skruv	Screw	
39	4	9699-0099-02	Bricka	Washer	
40	2	9897-0880-12	Skruv	Screw	
41	2	1134-1565-08	Distans	Spacer	
42	4	9897-0820-16	Skruv	Screw	
43	6	112155000/0	Mutter	Nut	

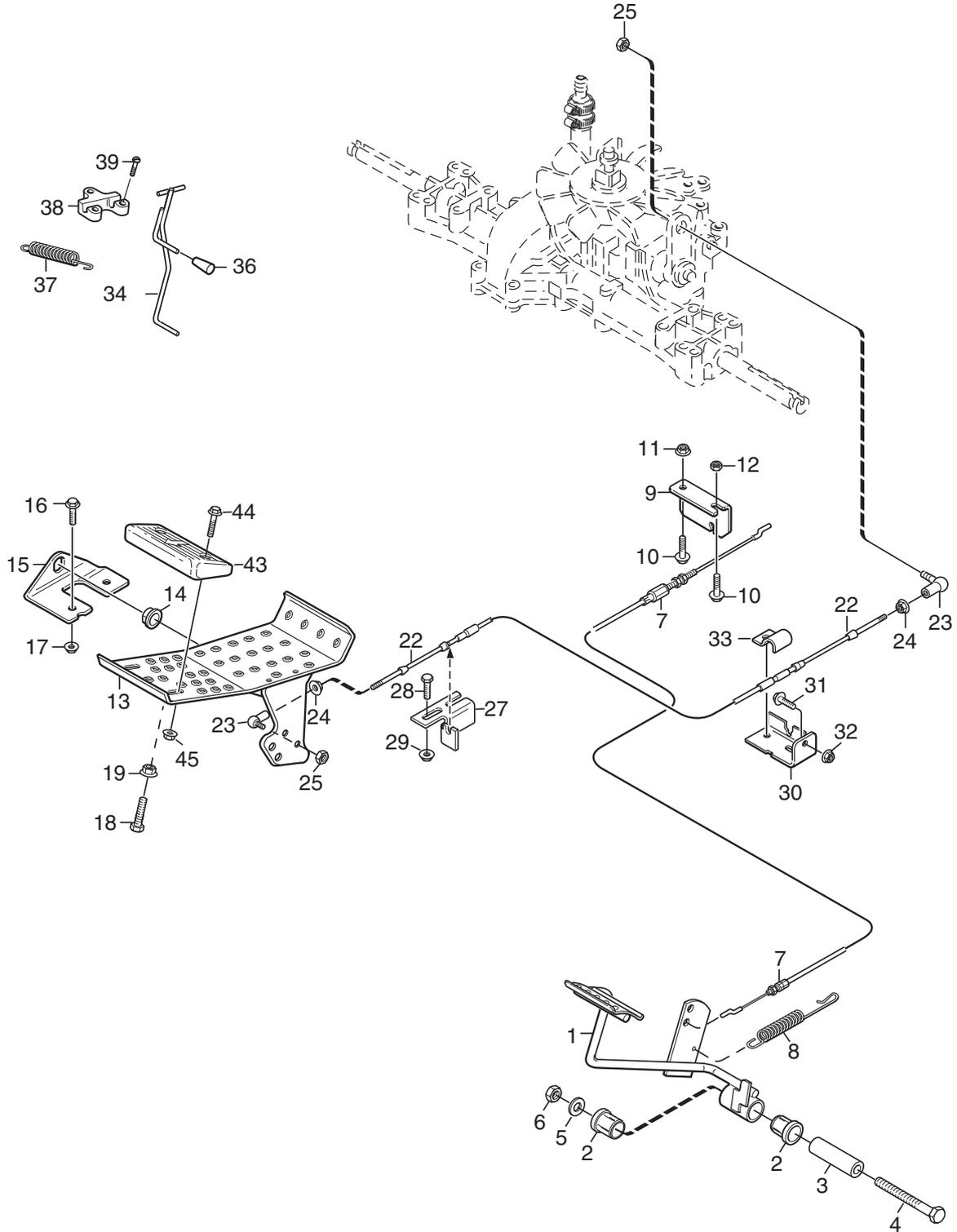


Utgåva Issue 11 - 2015		Styrning Steering			
Pos. Fig.	Antal Q.ty	Art nr Part No	Benämning	Description	Anmärkning Notes
1	1	1134-6374-06	Kedja	Chain	83 links
2	3	1134-6374-02	Kedja	Chain	41 links
3	1	1134-6374-04	Kedja	Chain	45 links
4	1	1134-3550-01	Ändnippel (L110)	End Nipple	L = 110 mm
5	4	1134-3565-01	Skarvnippel	Connection Nipple	
6	10	1134-2824-01	Kedjelas	Chain Lock	
7	1	1134-3550-02	Ändnippel (L90)	End Nipple	L = 90 mm
8	2	9699-0090-02	Bricka Bricka	Washer Washer	
9	2	112155000/0	Mutter	Nut	
10	4	1134-2816-01	Kedjehjul	Sprocket	
11	4	1134-0041-02	Bussning	Bushing	
12	4	9699-0035-02	Bricka	Washer	
13	2	112794900/0	Skruv	Screw	
14	2	9897-1040-12	Skruv	Screw	
15	4	9739-1031-22	Mutter	Nut	
16	3	1134-3547-01	Kedjehjul	Sprocket	
17	2	1134-0041-01	Bussning	Bushing	
18	2	1134-0046-00	Wireklämma	Wire Clamp	
19	2	112794300/0	Skruv	Screw	
20	2	9739-1031-22	Mutter	Nut	
21	1	1137-0066-01	Rattstang Skydd	Steering Column Cover	
22	4	9897-0820-16	Skruv	Screw	
23	4	112154220/0	Mutter	Nut	
24	1	1137-0044-01	Rattrör Nedre Kpl	Steering Column Assy	
25	1	9549-0017-00	Kullager	Ball Bearing	
26	1	9945-0816-16	Skruv	Screw	
27	1	1137-0045-01	Rattstang	Steering Rod	
28	1	1134-4114-01	Bussning	Bushing	
29	1	1134-4118-01	Koppling	Coupling	
30	2	9595-0256-01	Spännstift 6X28 Typ N Iso 8750	Locating Pin	
31	1	9695-0011-00	Bricka	Washer	
42	1	1137-0446-01	Momentförstärkare	Steering Booster	Incl. pos 43
43	1	1139-2106-01	Drev (F Momentförstärkare)	Pinion (Steering Booster)	
44	1	1139-2074-01	Rep.Sats-Momentförstärkare	Seal Kit-Steering Booster	
45	3	9939-0612-16	Skruv	Screw	
47	1	1134-7073-01	Vinkeladapter	Hydraulic Coupling 90	
48	1	1137-0195-02	Hydraulslang	Hydraulic Hose	L = 1740 mm
49	1	1134-6323-01	Banjoskruv 3/8"	Banjo Bolt 3/8	
50	1	1137-0214-03	Hydraulslang	Hydraulic Hose	L = 2050 mm
51	2	1134-4948-02	Bricka	Washer	
52	2	1134-4282-01	Hydraulnippel	Hydraulic Nipple	
53	1	1137-0070-01	Rattrör-Inre	Steering Tube-Inner Assy	
54	1	1134-5177-01	Slid	Slide	
55	1	9710-0631-12	Lasmutter	Nut	
57	1	337394201/0	Vingmutter	Wing Nut	
58	1	1137-0112-01	Bygel	Guide	
59	2	112815200/0	Skruv	Screw	
60	2	9739-0631-22	Mutter	Nut	
61	1	1134-3817-01	Fjäder	Spring	L = 58 mm

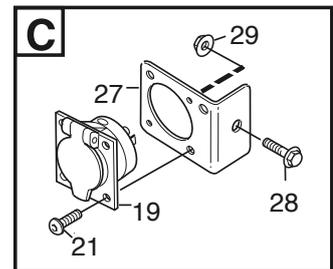
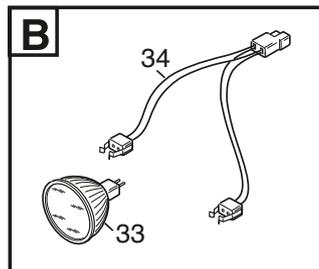
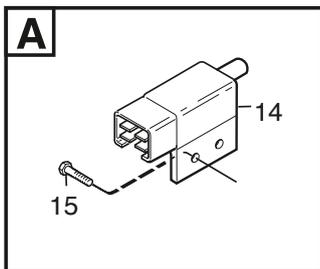
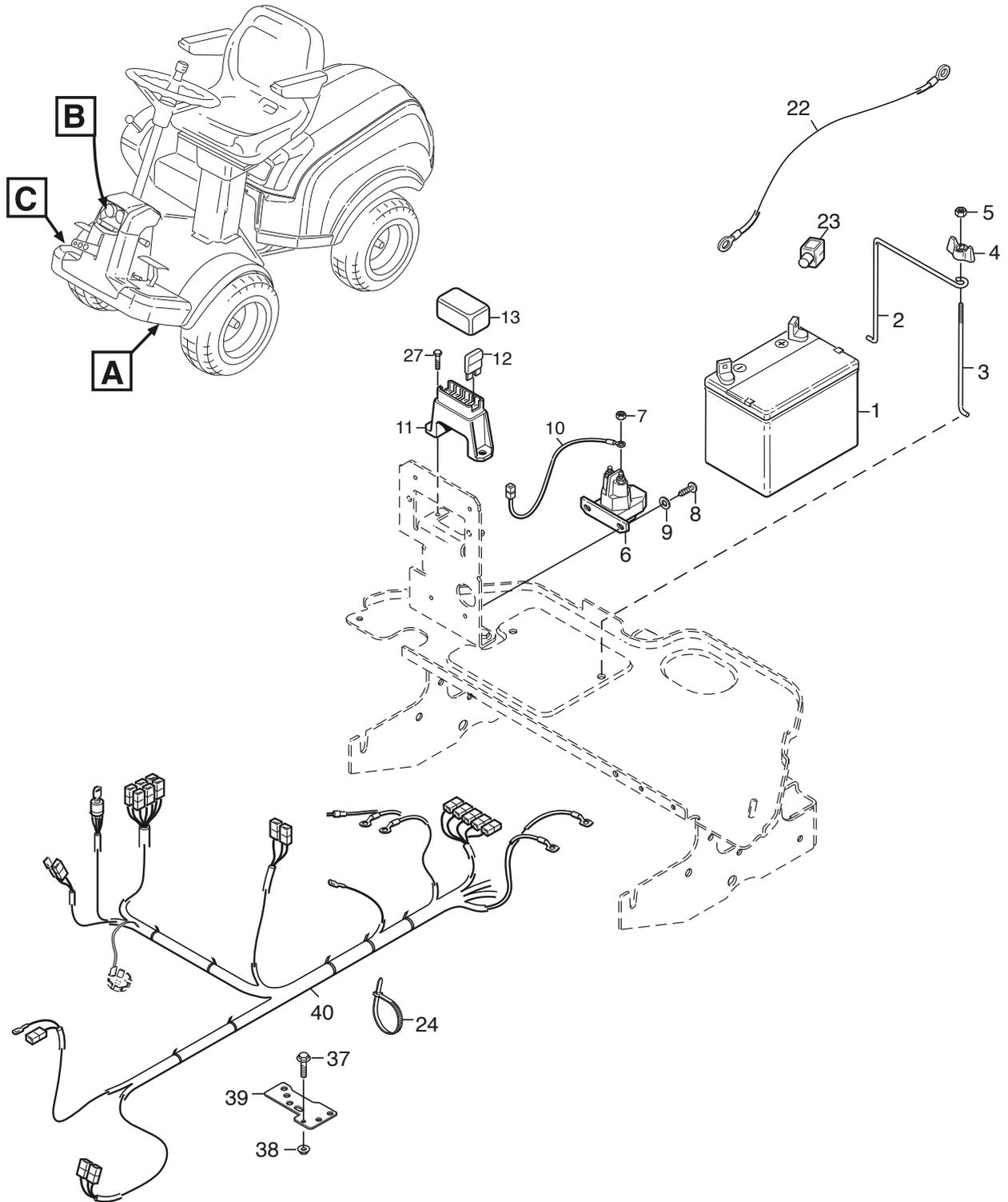
Utgåva Issue 11 - 2015		Styrning Steering			
Pos. Fig.	Antal Q.ty	Art nr Part No	Benämning	Description	Anmärkning Notes
62	1	1134-3817-02	Fjäder	Spring	L = 33 mm
63	1	337670201/0	Bricka	Washer	
64	2	9404-0028-01	O-Ring 11,89 X 1,98	O-ring	
70	1	1134-6379-02	Styrkedja Fz K/K, L/K Smst	Steering Chain Assy	Incl. pos 1 - 6
71	1	387520107/0	Rattstang	Steering Column	
72	1	112620299/0	Spännstift	Elastic Pin	
73	1	112583500/0	Lasbricka	Grower	
74	1	112793102/0	Skruv	Screw	
75	1	337580550/0	Styrplåt Kpl	Steering Plate	



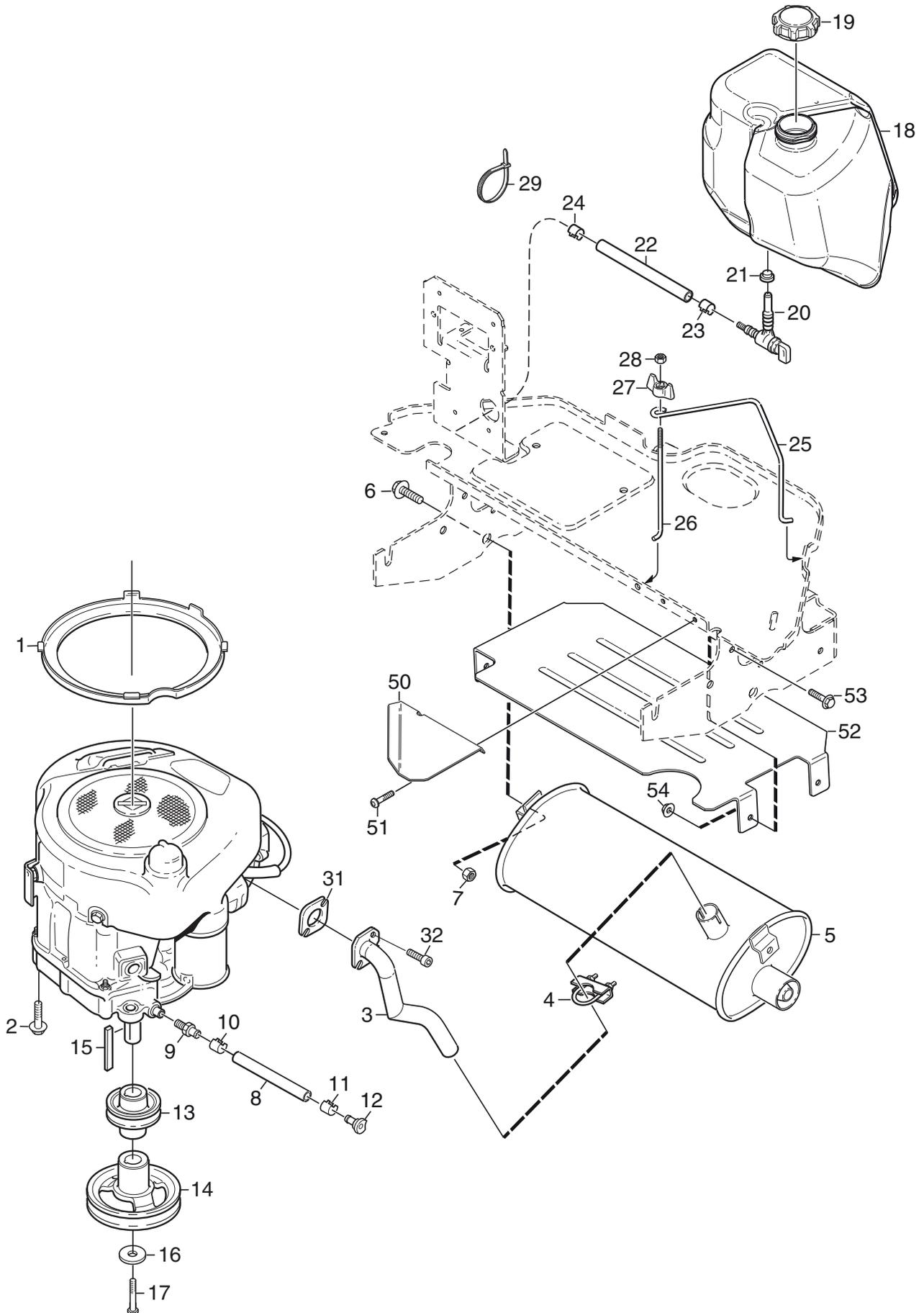
Utgåva Issue 11 - 2015		Handreglage Hand controls			
Pos. Fig.	Antal Q.ty	Art nr Part No	Benämning	Description	Anmärkning Notes
1	1	1134-4156-01	Vinkelhallare Kpl 24	Panel Bracket-Inner	
2	2	9897-0820-16	Skruv	Screw	
3	2	112154220/0	Mutter	Nut	
4	1	9695-0011-00	Bricka	Washer	
5	1	1134-4065-01	Reglageaxel	Control Shaft	
6	1	1134-4079-01	Fjäder	Spring	
7	1	1134-4080-03	Reglagehylsa	Control Sleeve	
8	2	9959-0820-16	Skruv	Screw	
9	1	1134-4077-02	Arm	Lever	
10	1	1134-4078-01	Knopp	Knob	
11	1	1134-0240-00	Skruv	Screw	
12	2	1134-4242-01	Distansbricka	Washer	
13	1	9665-0002-00	Bricka	Washer	
14	1	112155000/0	Mutter	Nut	
15	1	1137-0063-02	Gasreglage	Throttle Cable	L1 = 925 mm
16	1	1137-0115-01	Wireklämma	Wire Clamp	
17	1	9943-0516-16	Skruv	Screw	
18	1	1134-4072-01	Aggregatpak Kpl	Control Lever	
19	1	1134-2551-01	Knopp	Knob	
20	1	1134-3573-03	Kraftuttagwire	Pto Cable	
21	1	1134-5358-01	Brytarfäste	Switch Bracket	
22	2	9852-8013-16	Skruv	Screw	
23	1	9400-0360-01	Mikrobrytare	Microswitch	
24	2	9840-7716-16	Skruv	Screw	L = 16 mm
25	1	1134-6328-01	Frontfäste 5-01	Panel Bracket-Front	
26	2	9893-0616-16	Skruv Relä	Screw Relay	
27	1	1134-6327-01	Frontplat5-01	Front Plate	
28	4	9893-0616-16	Skruv Relä	Screw Relay	
32	1	1134-6096-05	Kassett	Dashboard	
33	4	9946-0525-16	Skruv	Screw	
34	1	1134-4154-01	Täckbricka	Cover	
35	5	1134-4129-01	Täckbricka	Cover	
35	6	1134-4129-01	Täckbricka	Cover	
36	1	1134-4093-01	Tändningslas	Ignition Switch	
39	1	1134-4749-01	Mutter	Nut	
42	1	9400-0282-01	Brytare (Med Diod)	Switch	
44	1	9400-0384-01	Hour Counter	Hour Counter	
45	1	1134-4100-01	Täckpropp	Plug	
49	1	9400-0280-03	Vippa Höjdst	Switch Cover-Height Adjust	
99	1	9400-0290-01	Verktyg F.Vippa	Tool	Tillbehör/Accessory



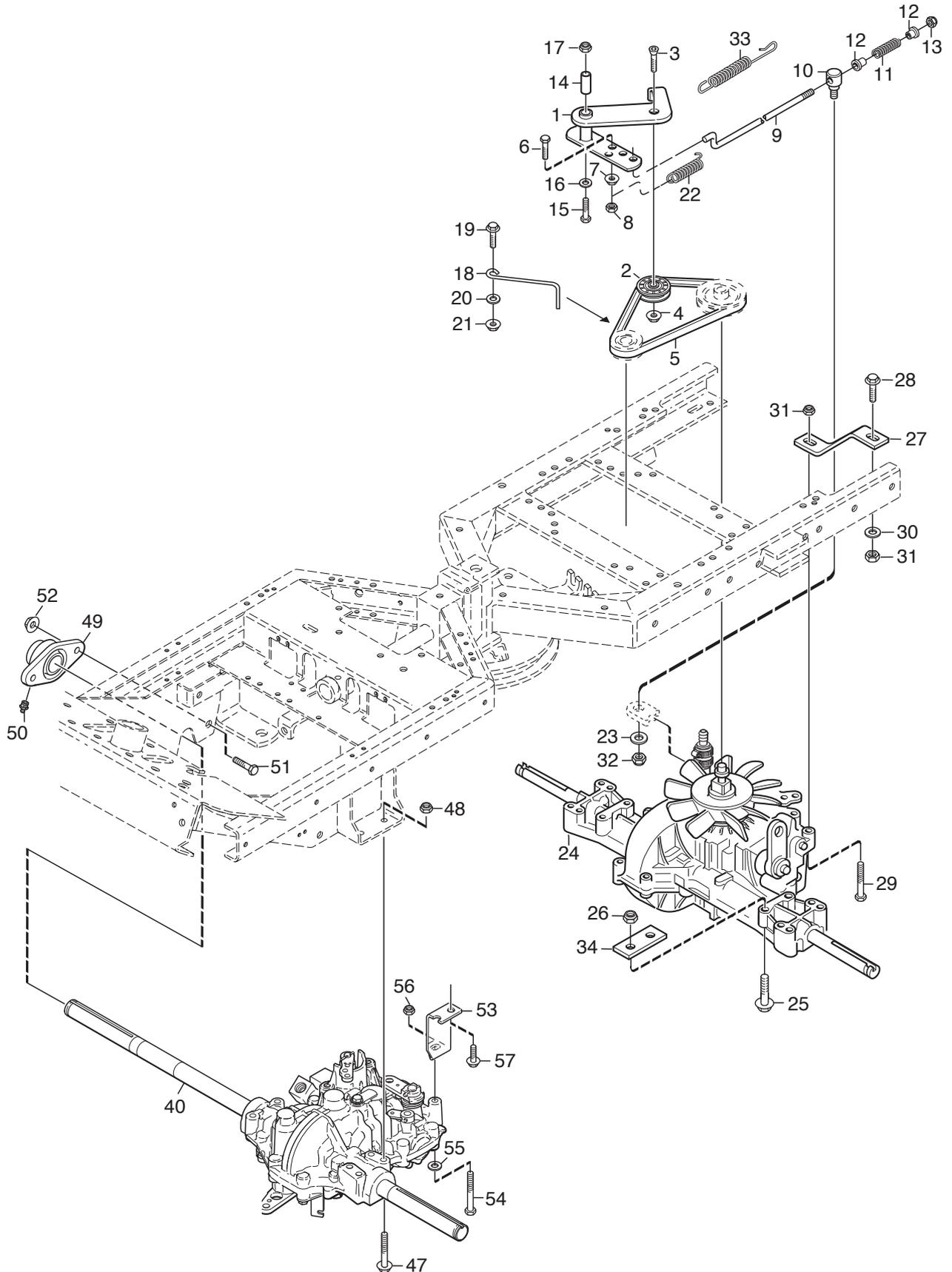
Utgåva Issue 11 - 2015		Fotreglage Foot controls			
Pos. Fig.	Antal Q.ty	Art nr Part No	Benämning	Description	Anmärkning Notes
1	1	1134-5655-01	Kopplingspedal Kpl	Clutch Pedal	
2	1	1134-9024-01	Lager (4 St)	Bearing	Sats 4 st/kit of 4
3	1	1134-5677-02	Distans	Spacer	
4	1	9997-1070-12	Skruv	Screw	
5	1	9699-0030-02	Bricka	Washer	
6	1	9739-1031-22	Mutter	Nut	
7	1	1134-6005-01	Reglagewire	Control Cable	
8	1	4231-0013-00	Fjäder	Spring	
9	1	1134-6467-01	Wirefäste	Cable Holder	
10	2	9959-0820-16	Skruv	Screw	
11	1	112154220/0	Mutter	Nut	
12	1	112155000/0	Mutter	Nut	
13	1	1134-6353-01	Drivpedal	Drive Pedal	
14	2	1134-6313-01	Lager	Bearing	
15	2	1134-2700-01	Fäste	Bracket	
16	2	9959-0820-16	Skruv	Screw	
17	2	112154220/0	Mutter	Nut	
18	1	9997-0835-16	Skruv	Screw	
19	1	112154220/0	Mutter	Nut	
22	1	1134-2766-05	Reglagevajer	Speed Control Cable	
23	2	9570-0001-00	Vinkellänk As8 Din 71802M5	Elbow Link	
24	2	9739-0531-22	Mutter	Nut	
25	2	112154330/0	Mutter	Nut	
27	1	1134-6317-01	Wirefäste	Wire Bracket	
28	2	9959-0620-16	Skruv	Screw	
29	2	9739-0631-22	Mutter	Nut	
30	1	1134-3395-01	Fäste 24 (5-01)	Attachment	
31	2	9959-0820-16	Skruv	Screw	
32	2	112154220/0	Mutter	Nut	
33	1	1134-2021-01	Växelwirefäste	Clamp	
34	1	1134-5353-01	Bromsstang	Brake Rod	
36	1	1134-2786-01	Knopp	Knob	
37	1	1131-1497-01	Fjäder	Brake Spring	
38	1	1134-4002-01	Fäste	Brake Rod Attachment	
39	3	112728697/0	Skruv	Screw	
43	2	1134-6340-02	Fotstöd (5-01)	Foot Rest	
44	4	9959-0620-16	Skruv	Screw	
45	4	9739-0631-22	Mutter	Nut	



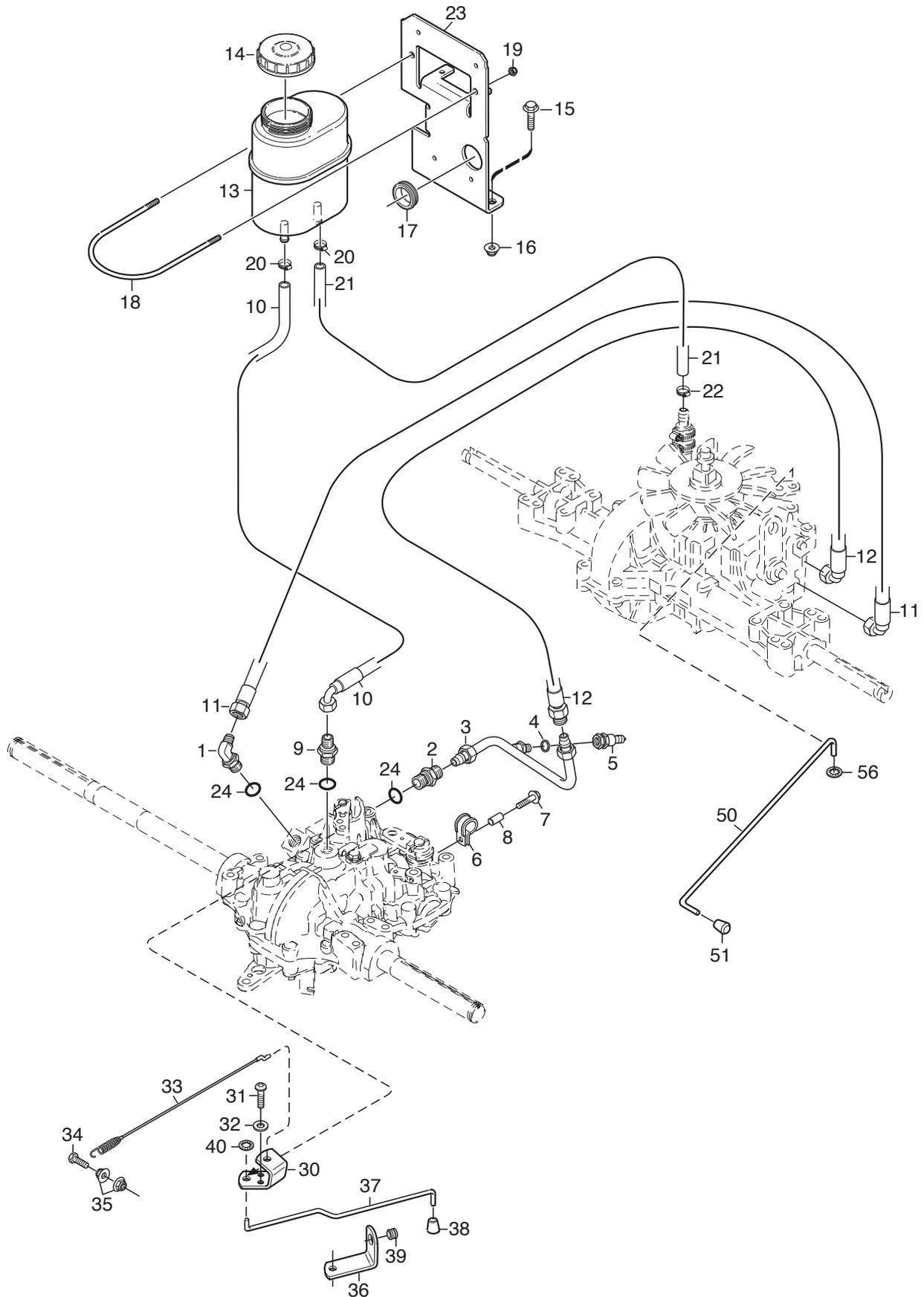
Utgåva Issue 11 - 2015		Elsystem Electrical Parts			
Pos. Fig.	Antal Q.ty	Art nr Part No	Benämning	Description	Anmärkning Notes
1	1	1134-5751-01	Batteri	Battery	
2	1	1134-5994-01	Batteribyggel	Battery Loop	
3	1	1134-5995-01	Batteribyggel	Battery Loop	
4	1	1134-4481-02	Vingmutter	Wing Nut	
5	1	112154510/0	Mutter	Nut	
6	1	1134-3901-01	Solenoid	Solenoid	Incl. pos 7
7	2	9743-5121-32	Mutter	Nut	
8	2	9852-8013-16	Skruv	Screw	
9	2	9699-0060-02	Bricka	Washer	
10	1	1134-4970-02	Kabel	Cable	
11	1	1134-3491-01	Säkringshallare	Fuse Holder	
12	1	1134-3496-01	Säkring Säkring 10A Röd	Fuse Fuse (10A)	10A
12	1	1134-3496-06	Säkring Vippa Säkring 20 Amp Gul	Fuse Cover-12V Fuse (20A)	20A
12	1	1134-3496-07	Säkring (30A Grön)	Fuse (30A)	30A
13	1	1134-3631-01	Lock (5-01)	Cover-Fuse Holder	
14	1	1134-3399-02	Brytare	Switch	For Petrol models
15	2	9943-0516-16	Skruv	Screw	
19	1	1134-7535-01	Honkontakt	Female Connector	
21	2	112735105/0	Skruv	Screw	
22	1	1134-0234-02	Batterikabel (+)	Battery Cable (+)	For Petrol models
23	1	1134-2310-01	Batteriskydd	Guard Cap (+)	For Petrol models
24	5	133320027/0	Bunband	Cable	
24	2	9579-0018-01	Buntband L390	Cable	L=390
27	1	1137-0075-01	Fäste	Attachment 2010	
28	1	9959-0820-16	Skruv	Screw	
29	1	112154220/0	Mutter	Nut	
33	2	9400-0358-01	Led-Lampa	Led-Lamp	
34	1	1134-7505-01	Kabelhärva	Wiring harness	
40	1	187040310/0	Kabelhärva	Wiring harness	For Petrol models



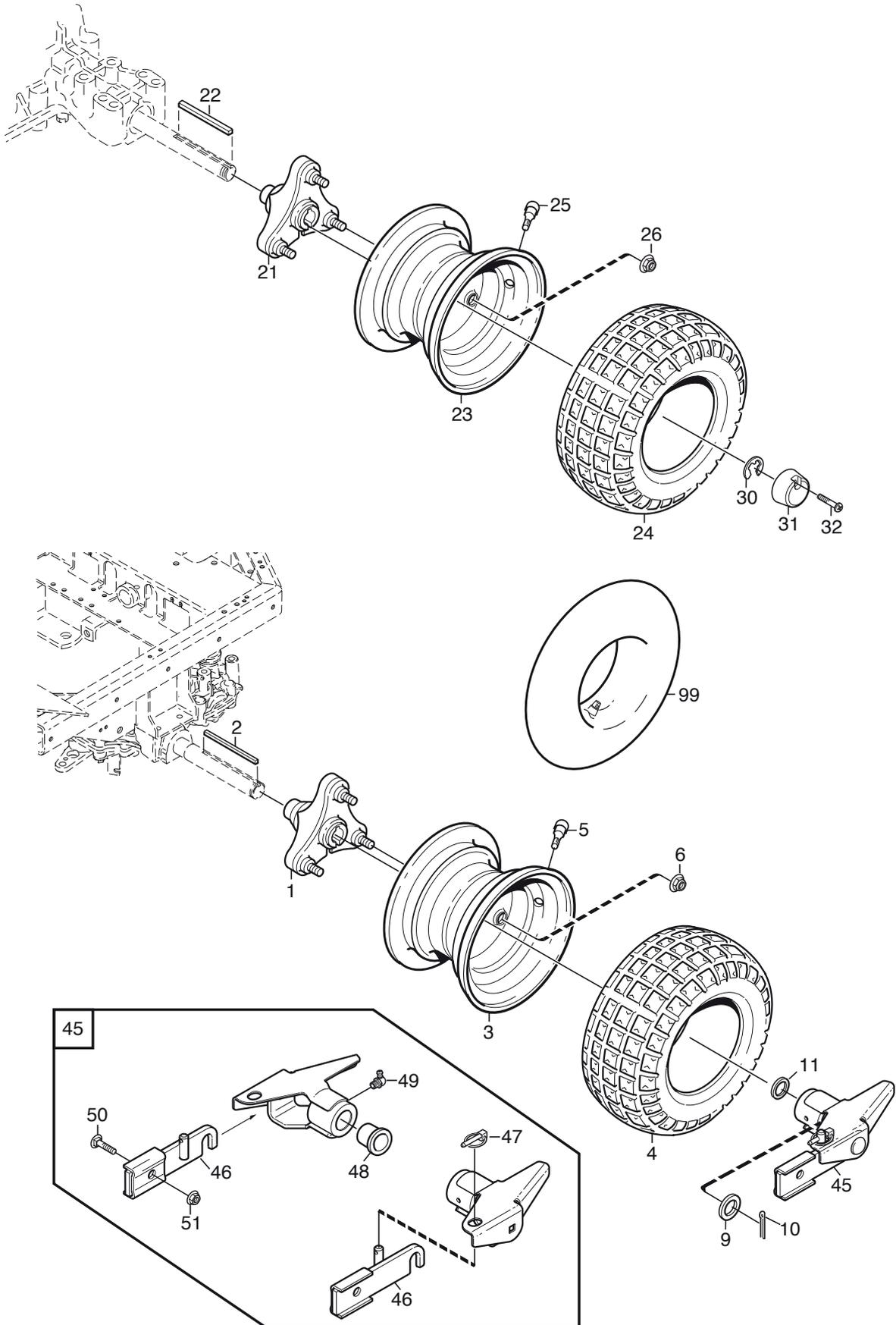
Utgåva Issue 11 - 2015		Motor	Engine		
Pos. Fig.	Antal Q.ty	Art nr Part No	Benämning	Description	Anmärkning Notes
1	1	1134-6116-02	Luftkanal	Air Duct	
2	4	9955-3725-16	Skruv	Screw	
3	1	1134-6100-01	Grenrör Kpl (B&S)	Exhaust Pipe (B&S)	
4	1	9578-0011-01	Rörklämma 38	Tube Clamp	
5	1	1134-6024-01	Ljuddämpare Kpl	Muffler Assy	
6	1	9959-0820-16	Skruv	Screw	
7	1	112154220/0	Mutter	Nut	
8	1	1134-5827-01	Oljeavtappning Kpl	Oil Drain Assy	Incl. pos 9 - 12
9	1	1134-5825-01	Nippel	Nipple	
10	1	9578-0023-04	Slangklämma 15*8 (Vit)	Hose Clamp	
11	1	1134-3499-02	Slangklämma	Hose Clamp	
12	1	1134-5826-01	Plugg	Plug	
13	1	1137-0206-01	Motorremskiva	Engine Belt Pulley	
14	1	1137-0208-01	Motorremskiva	Engine Pulley	
15	1	9600-0251-01	Kil	Key	
16	1	1134-5017-02	Bricka	Washer	
17	1	9987-5332-16	Skruv	Screw	
18	1	1134-5938-01	Bränsletank	Fuel Tank	
19	1	1134-5532-01	Tanklock	Fuel Tank Cap	
20	1	1134-3224-01	Bensinkran	Fuel Shut-Off Valve	
21	1	1134-3225-01	Gummibussning	Grommet	
22	1	1134-2975-13	Bensinslang	Fuel Tube	Cutting length 1,1 mt
23	1	9578-0023-02	Slangklämma D12*8 (Svart)	Hose Clamp	
24	1	9578-0023-02	Slangklämma D12*8 (Svart)	Hose Clamp	
25	1	1134-5942-01	Tankbygel	Tank Loop	
26	1	1134-5996-01	Tankbygel	Tank Loop	
27	1	1134-4481-02	Vingmutter	Wing Nut	
28	1	112154510/0	Mutter	Nut	
29	1	133320027/0	Bunband	Cable	
30	1	9852-8013-16	Skruv	Screw	
31	1	1134-0433-00	Bränslemätare Packning	Fuel Level Indicator Gasket	
32	2	1134-4930-01	Skruv	Screw	
50	1	1134-6234-01	Deflektor	Heat Deflector	
51	2	9943-0516-16	Skruv	Screw	
52	1	1134-6251-01	Deflektor	Heat Deflector	
53	4	9959-0612-16	Skruv	Screw	
54	4	9739-0631-22	Mutter	Nut	



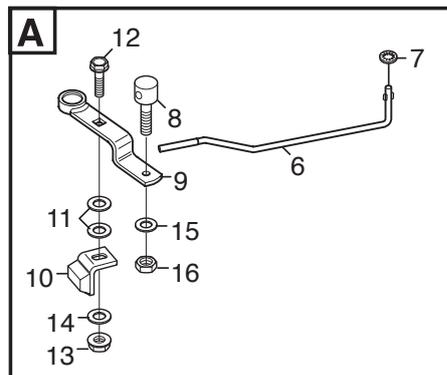
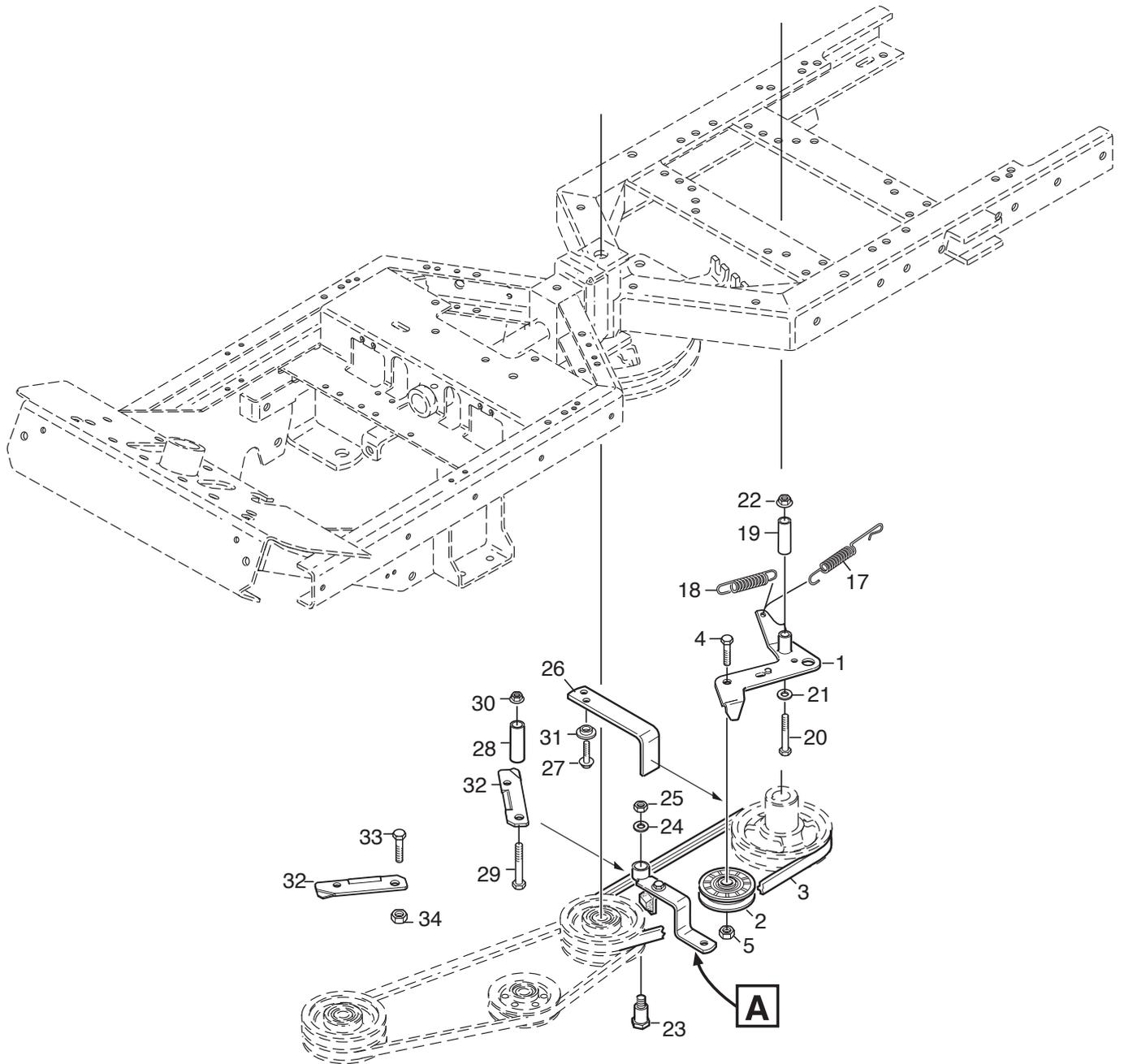
Utgåva Issue 11 - 2015		Transaxel		Transmission	
Pos. Fig.	Antal Q.ty	Art nr Part No	Benämning	Description	Anmärkning Notes
1	1	1134-4000-02	Spännarm Kpl 15	Tension Arm	
2	1	1134-3459-01	Spännrulle	Tension Roller	
3	1	9924-1035-16	Skruv	Screw	
4	1	112295200/0	Mutter	Nut	
5	1	1134-9058-01	Kilrem	V-Belt	contain belt 9585-0091-01
6	1	112791500/0	Skruv	Screw	
7	1	9739-0631-22	Mutter	Nut	
8	1	112154510/0	Mutter	Nut	
9	1	1134-3377-02	Reglagestang	Control Rod	
10	1	1134-4171-01	Ledtapp	Pivot Pin	
11	1	1134-4183-01	Fjäder	Spring	
12	2	1134-3456-01	Bussning	Bushing	
13	1	112154510/0	Mutter	Nut	
14	1	1134-1565-08	Distans	Spacer	
15	1	112793905/0	Skruv	Screw	
16	1	112523060/0	Bricka	Washer	
17	1	112155000/0	Mutter	Nut	
18	1	1134-3289-02	Remstyrning	Belt Guide	
19	1	9959-0820-16	Skruv	Screw	
20	1	112523060/0	Bricka	Washer	
21	1	112154220/0	Mutter	Nut	
22	1	1134-6414-01	Fjäder	Spring	
23	1	9699-0060-02	Bricka	Washer	
24	1	1137-0125-01	Transaxel K574F	Transaxle K574F	Kanzaki K574F (4-port)
25	4	9960-0860-12	Skruv	Screw	
26	4	112155000/0	Mutter	Nut	
27	1	1134-3913-01	Reaktionsstag 5-01 F24	Strut	
28	1	9959-0825-16	Skruv	Screw	
29	1	112691200/0	Skruv	Screw	
30	1	9699-0090-02	Bricka Bricka	Washer Washer	
31	2	112155000/0	Mutter	Nut	
32	1	112154510/0	Mutter	Nut	
33	1	4231-0013-00	Fjäder	Spring	
40	1	1134-6029-01	Motoraxel-Främre (Ktm10M)	Front Motor Unit (Ktm10M)	Kanzaki KTM 10M
47	2	9960-0860-12	Skruv	Screw	
48	2	112155000/0	Mutter	Nut	
49	1	1134-5703-01	Flänslagerenhet	Flange Bearing Unit	Incl. pos. 50
50	1	112379511/0	Smörjnippel	Grease Dispenser	
51	2	9997-1040-16	Skruv	Screw	
52	2	9731-1031-22	Mutter	Nut	
53	1	1134-5670-01	Reaktionsstag 5-01	Strut	
54	1	9997-0880-16	Skruv	Screw	
55	1	9699-0090-02	Bricka Bricka	Washer Washer	
56	1	112155000/0	Mutter	Nut	
57	2	9945-0816-16	Skruv	Screw	



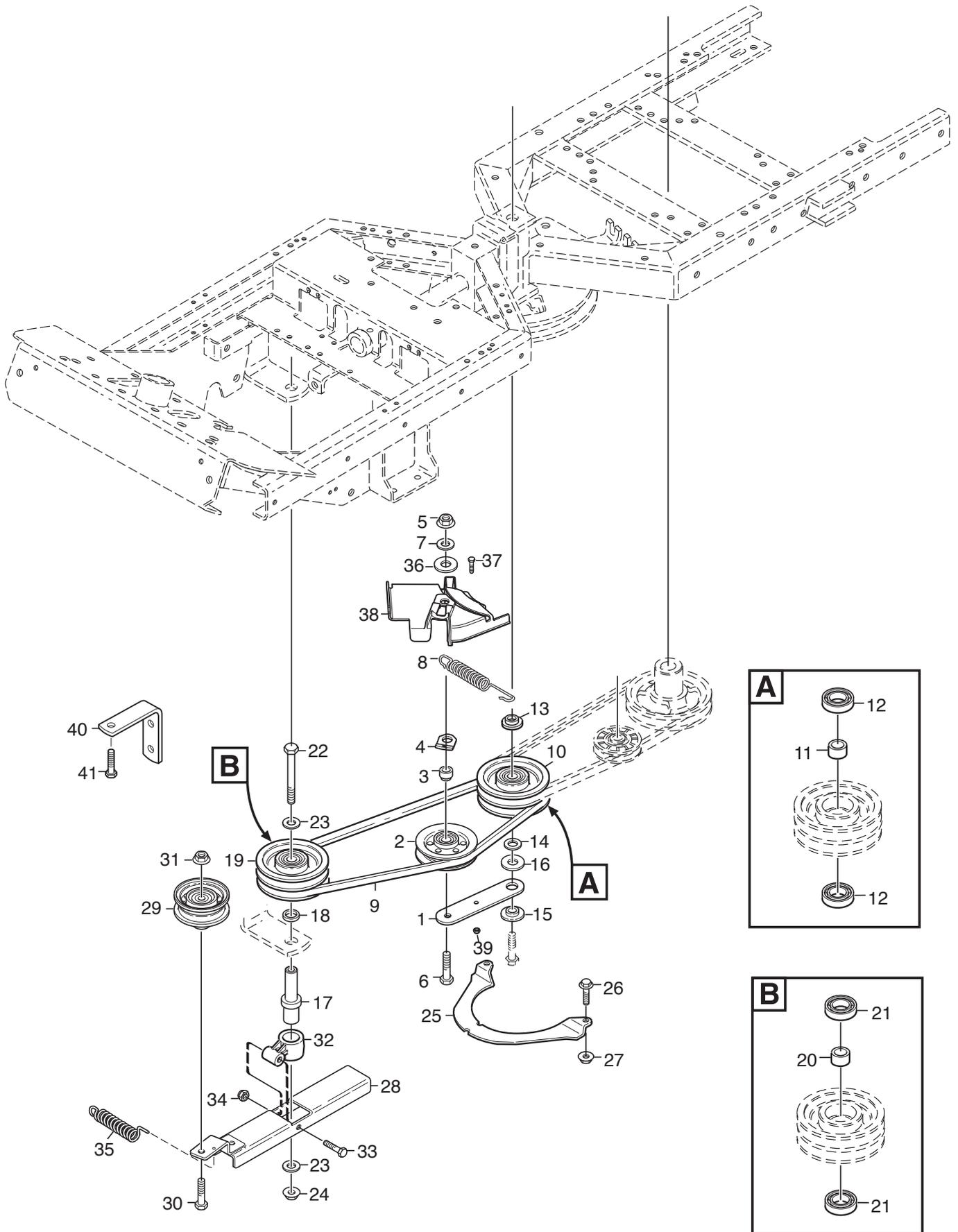
Utgåva Issue 11 - 2015		Transmission		Transmission	
Pos. Fig.	Antal Q.ty	Art nr Part No	Benämning	Description	Anmärkning Notes
1	1	1134-6044-01	Vinkeladapter	Hydraulic Angle Coupling	"3/4" x 9/16" "
24	3	9404-0029-01	O-Ring (16,36 X 2,21)	O-ring	
2	1	1134-5875-01	Skäringskoppling	Hydraulic Coupling	"3/4" "
3	1	1134-6039-01	Hydraulrör Smst	Hydraulic Pipe Assy	
4	1	1134-4948-01	Bricka	Washer	"1/4" "
5	1	1134-6042-01	Snabbkoppling-Hane 1/4"	Quick Coupling-Male	
6	1	9578-0028-01	Rörklammer	Tube Clamp	
7	1	9959-0825-16	Skruv	Screw	
8	1	1134-1565-09	Distans	Spacer	
9	1	1134-5809-01	Adapter	Hydraulic Coupling	"3/4" x 9/16" "
10	1	1137-0215-04	Hydraulslang	Hydraulic Hose	L = 1400 mm
11	1	1137-0195-01	Hydraulslang	Hydraulic Hose	L = 1275 mm
12	1	1137-0212-01	Hydraulslang	Hydraulic Hose	L = 1210 mm
13	1	1134-6011-01	Hydraultank Kpl	Hydraulic Oil Tank Assy	Incl. Pos. 14
14	1	1137-0272-01	Tanklock	Tank Cap	
23	1	1134-5941-01	Tankkonsol 5-01	Tank Bracket	
15	2	9959-0820-16	Skruv	Screw	
16	2	112154220/0	Mutter	Nut	
17	1	1134-3203-01	Kabelgenomföring	Grommet	
18	1	1134-5943-01	Tankbygel	Tank Loop	
19	2	112154510/0	Mutter	Nut	
20	3	9578-0036-01	Slangklämma	Hose Clamp	14,6 - 17,8
21	1	1134-2779-02	Slang	Tube	L = 260 mm
22	1	9578-0023-04	Slangklämma 15*8 (Vit)	Hose Clamp	15*8
30	1	1134-6162-01	Fäste	Bracket	
31	2	9939-0612-16	Skruv	Screw	
32	2	112521330/0	Bricka	Washer	
33	1	1134-6163-01	Wire (By-Pass Urkoppling)	Wire	
34	1	112691100/0	Skruv	Screw	
35	2	112154220/0	Mutter	Nut	
36	1	1134-6084-01	Reglagekonsol	Control Bracket	
37	1	1134-6083-01	Reglagestang	Control Rod	
38	1	1134-4014-01	Plastknopp	Knob	
39	1	1134-2790-01	Kabelgenomföring	Cable Protection	
40	1	112604896/0	Starlock P6493 6	Crown Fastener	
50	1	1134-4015-01	Dragstang	Pull Rod	
51	1	1134-4014-01	Plastknopp	Knob	
56	1	112604896/0	Starlock P6493 6	Crown Fastener	



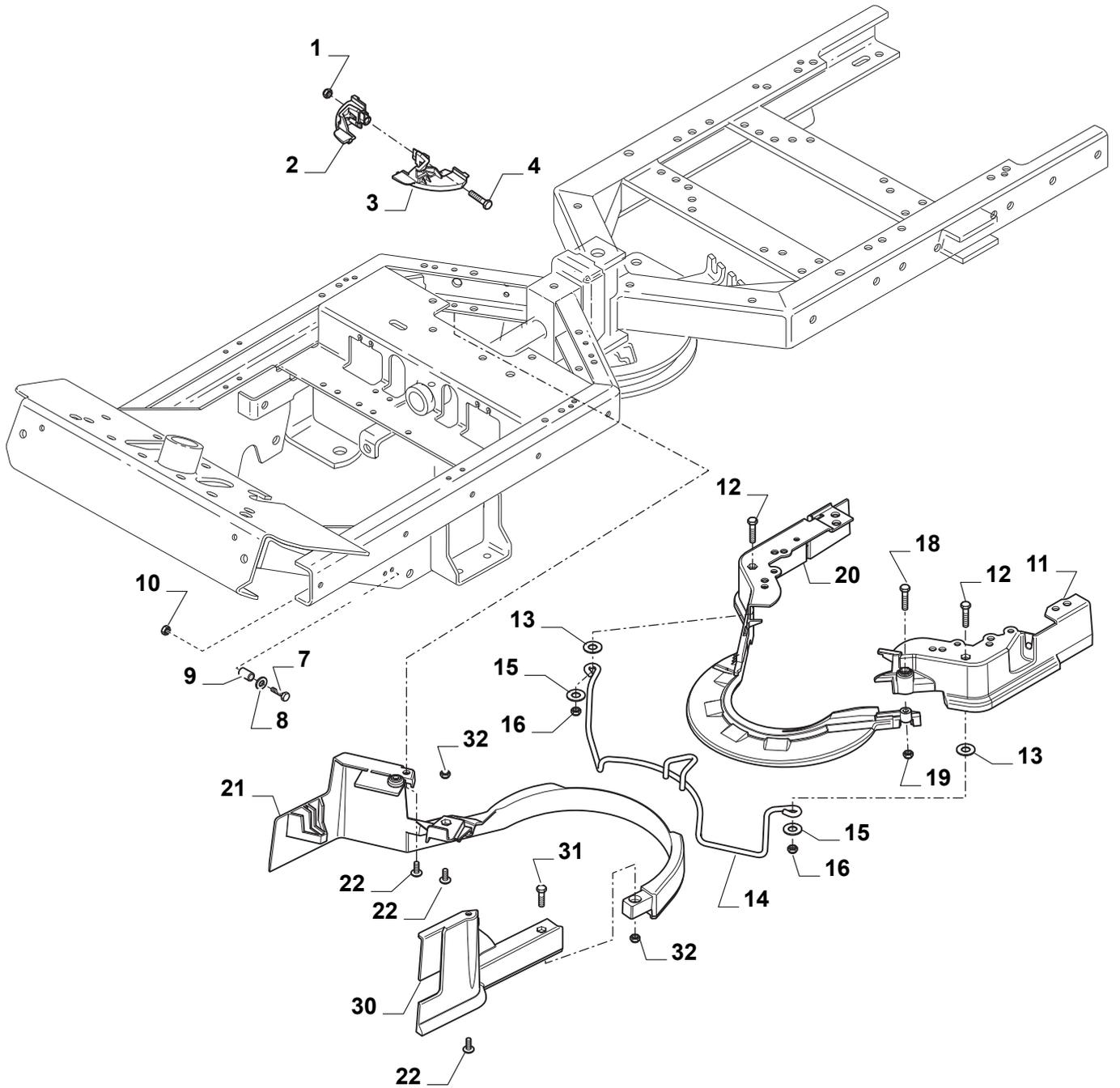
Utgåva Issue 11 - 2015		Hjul Wheels			
Pos. Fig.	Antal Q.ty	Art nr Part No	Benämning	Description	Anmärkning Notes
1	2	1134-4844-03	Hjulnav Kpl	Wheel Hub Assy	
2	2	1134-3383-02	Kil	Key	
3	2	187000454/0	Fälg	Rim	
4	2	9545-0116-00	Däck	Tyre	16 x 7.50 - 8
5	2	9545-0500-00	Ventil	Valve Assy.	
6	6	9731-1031-22	Mutter	Nut	
9	2	1134-0341-01	Bricka	Washer	
10	2	9599-0080-02	SaxSprint Sp 4*28	Cotter Pin	
11	2	1134-0341-01	Bricka	Washer	
21	2	1134-4844-02	Hjulnav Kpl	Wheel Hub Assy	
22	2	1134-2471-01	Kil	Key	
23	2	187000454/0	Fälg	Rim	
24	2	9545-0116-00	Däck	Tyre	16 x 7.50 - 8
25	2	9545-0500-00	Ventil	Valve Assy.	
26	6	9731-1031-22	Mutter	Nut	
30	2	9653-0001-04	Sparryttare Rs	Lock Ring	
31	2	1134-4796-01	Navkapsel	Hub Cap	
32	2	9947-0540-19	Skruv	Screw	
45	1	13-0993-61	Rac Snabbfäste 4Wd Park	Rac Quick Connection 4Wd	Incl. pos 9-10-46-47-48-49-50-51
46	1	1134-7465-01	Sats-Fästen (Vä+Hö Inkl Skruv)	Attachment Kit	Incl. pos 50-51
47	2	1137-0077-01	Lassprint	Locking Pin	
48	4	1134-5686-01	Bussning	Bearing	
49	2	9501-0502-00	Smörjnippel	Grease Joint	
50	2	9898-1035-16	Skruv	Screw	
51	2	9739-1031-22	Mutter	Nut	
99	4	9545-0203-00	Innerslang	Inner Tube	Reservdel/spare part



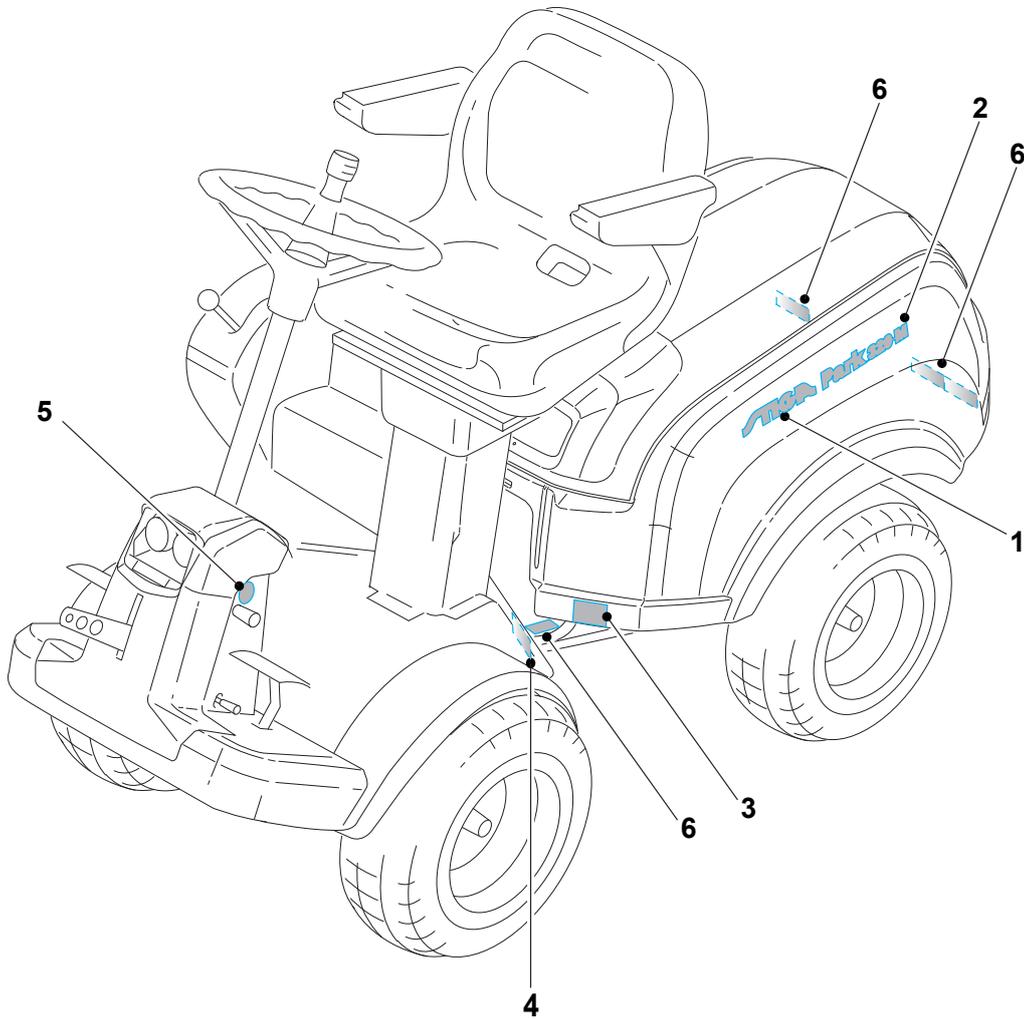
Utgåva Issue 11 - 2015		Kraftuttag Power take-off			
Pos. Fig.	Antal Q.ty	Art nr Part No	Benämning	Description	Anmärkning Notes
1	1	1134-2018-02	Spännarm Kpl 5-01 24	Tension Arm	
2	1	1134-9027-02	Spännrulle (Gra)	Tension Roller (Grey)	
3	1	1134-9173-01	Kilrem	V-Belt	contain belt 9585-0213-01
4	1	112794300/0	Skruv	Screw	
5	1	112295200/0	Mutter	Nut	
6	1	137033100/0	Bromsstang	Brake Rod	
7	1	9675-0008-02	Starlockbricka	Starlock	
8	1	1134-4170-01	Nippel	Nippel	
9	1	387318251/0	Bromsarm Kpl	Brake Arm	
10	1	1134-4164-03	Bromsklots	Brake Pad	
11	2	112521360/0	Bricka	Washer	
12	1	112818700/0	Skruv	Screw	
13	1	112155000/0	Mutter	Nut	
14	1	9699-0090-02	Bricka Bricka	Washer Washer	
15	1	112521330/0	Bricka	Washer	
16	1	112154510/0	Mutter	Nut	
17	1	4231-0013-00	Fjäder	Spring	
18	1	1134-4231-01	Fjäder	Brake Spring	
19	1	1134-1565-10	Distans	Spacer	
20	1	112691800/0	Skruv	Screw	
21	1	112523060/0	Bricka	Washer	
22	1	112154220/0	Mutter	Nut	
23	1	1134-4163-02	Ansattsskruv	Shoulder Bolt	
24	1	337670201/0	Bricka	Washer	
25	1	9739-1031-22	Mutter	Nut	
26	1	1134-3958-01	Remstyrning	Belt Guide	
27	2	9893-0616-16	Skruv Relä	Screw Relay	
28	1	1134-0041-03	Bussning	Bushing	
29	1	112794950/0	Skruv	Screw	
30	1	9739-1031-22	Mutter	Nut	
31	2	325160039/0	Distans	Spacer	
32	2	337546547/0	Plat	Plate	
33	1	112793102/0	Skruv	Screw	
34	1	112293201/0	Mutter	Nut	



Utgåva Issue 11 - 2015		Kraftuttag Power take-off			
Pos. Fig.	Antal Q.ty	Art nr Part No	Benämning	Description	Anmärkning Notes
1	1	1134-1730-02	Spännhjularm	Tensioning Wheel Arm	
2	1	1134-3663-01	Remskiva	Tension Wheel	
3	1	1134-1888-06	Distans	Spacer	
4	1	337546545/0	Fjäder	Spring	
5	1	9739-1031-22	Mutter	Nut	
6	1	112692395/1	Skruv	Screw	
7	1	112521360/0	Bricka	Washer	
8	1	1134-5713-04	Fjäder	Spring	
9	1	1134-9098-01	Drivrem	Drive Belt	contain belt 9585-0148-01
10	1	1137-0209-01	Centrumremskiva Smst	Centre Belt Pulley	Pos 11-12 incl.
11	1	1134-0051-09	Distans	Spacer	
12	2	9549-0019-00	Kullager	Ball Bearing	
13	1	1134-5548-01	Distans	Spacer	
14	1	112521360/0	Bricka	Washer	
15	1	1134-0222-00	Bricka	Washer	
16	1	9699-0109-02	Bricka	Washer	
17	1	1134-5663-01	Axel	Shaft	
18	1	1134-0052-00	Distans	Spacer	
19	1	1137-0209-01	Centrumremskiva Smst	Centre Belt Pulley	Pos 20-21 incl.
20	1	1134-0051-09	Distans	Spacer	
21	2	9549-0019-00	Kullager	Ball Bearing	
22	1	9997-1011-06	Skruv	Screw	
23	2	9699-0030-02	Bricka	Washer	
24	1	9739-1031-22	Mutter	Nut	
25	1	1134-3654-01	Fingerskydd 5-01 24	Guard	
26	2	9959-0612-16	Skruv	Screw	
27	2	9739-0631-22	Mutter	Nut	
28	1	1134-5660-01	Spännarm Kpl 5-01	Tension Arm Assy	
29	1	1134-5823-01	Spännrulle Kpl	Tension Roller Assy	
30	1	112794900/0	Skruv	Screw	
31	1	9739-1031-22	Mutter	Nut	
32	1	1134-6314-01	Spännarmsfäste	Tension Arm Attachment	
33	1	112689515/0	Skruv	Screw	
34	1	112154510/0	Mutter	Nut	
35	1	1134-5824-01	Fjäder	Spring	
36	1	137038000/0	Bussning	Bush	
37	1	112792410/0	Skruv	Screw	
38	1	337600001/2	Skydd	Protection	
39	1	112154510/0	Mutter	Nut	
40	1	1134-5112-01	Fjäder	Spring	
41	2	9945-0816-16	Skruv	Screw	

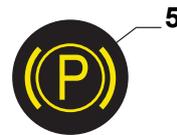


Utgåva Issue 11 - 2015		Remskydd Protection, Belt			
Pos. Fig.	Antal Q.ty	Art nr Part No	Benämning	Description	Anmärkning Notes
1	1	112154510/0	Mutter	Nut	
2	1	337600010/0	Skydd	Protection	
3	1	337600011/0	Skydd	Protection	
4	1	112792099/0	Skruv	Screw	
7	2	112735669/0	Skruv	Screw	
8	2	112523050/0	Bricka	Washer	
9	2	1134-1565-14	Distans	Spacer	
10	2	112154510/0	Mutter	Nut	
11	1	337060001/1	Remskydd	Belt Cover	
12	2	112792099/0	Skruv	Screw	
13	2	112524010/0	Bricka	Washer	
14	1	337785100/0	Fäste	Support	
15	2	112521330/0	Bricka	Washer	
16	2	112154510/0	Mutter	Nut	
18	1	112791500/0	Skruv	Screw	
19	1	112154510/0	Mutter	Nut	
20	1	337060000/1	Remskydd	Belt Cover	
21	1	337060002/0	Remskydd	Belt Cover	
22	3	9893-0616-16	Skruv Relä	Screw Relay	
30	1	337060004/0	Remskydd	Belt Cover	
31	1	112791500/0	Skruv	Screw	
32	2	112154510/0	Mutter	Nut	

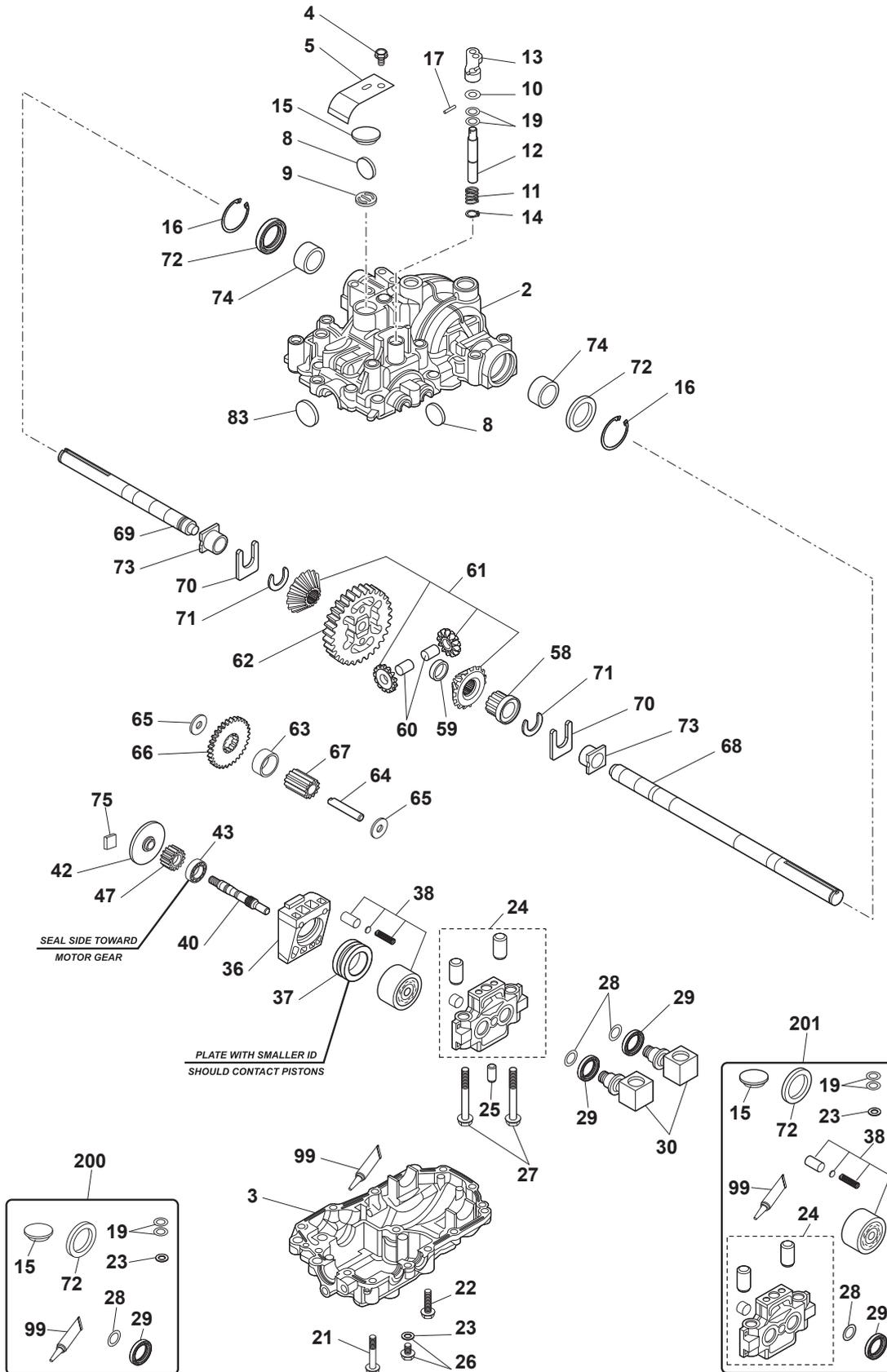


STIGA 1

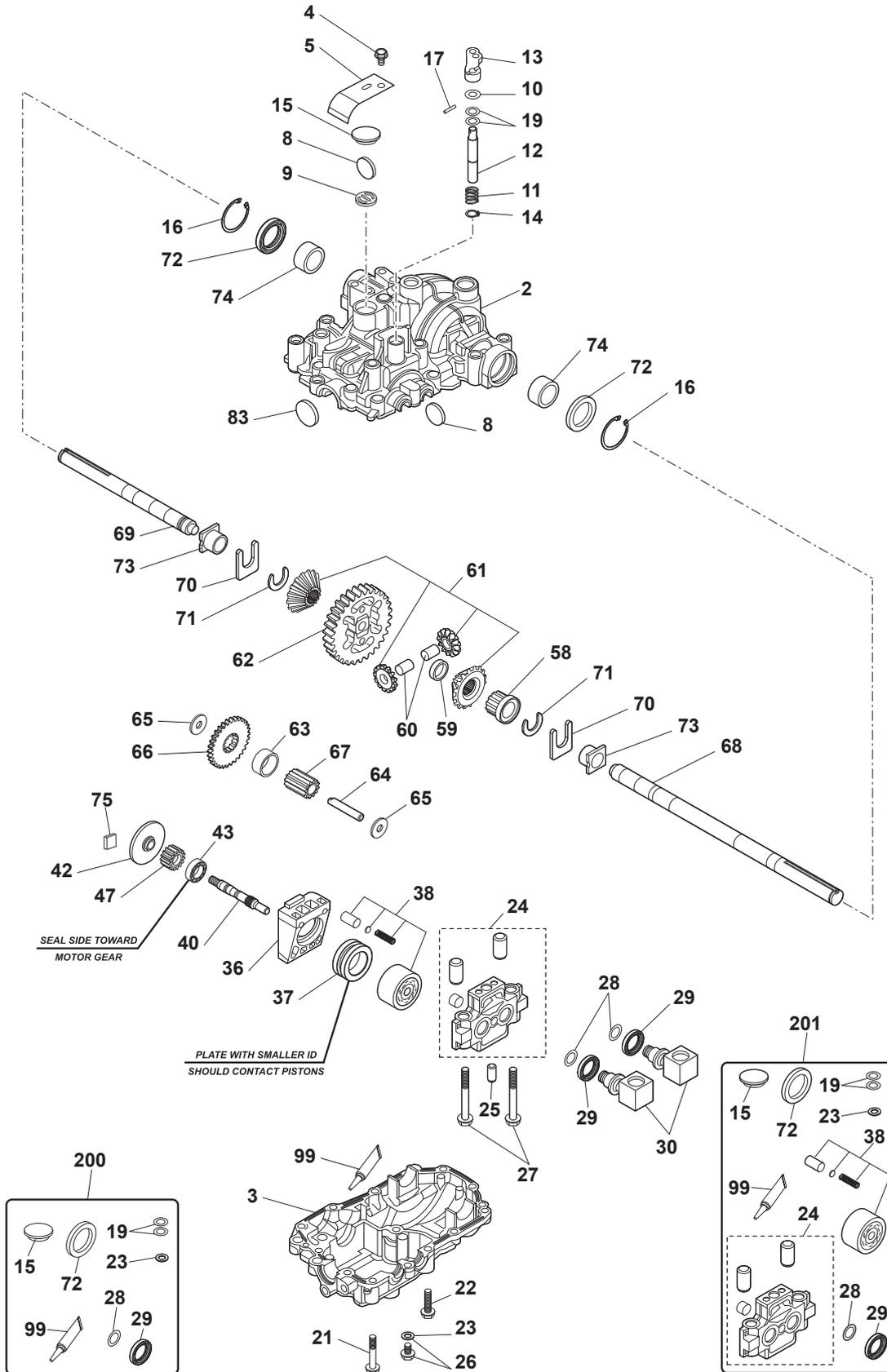
Park 540 LPX 2



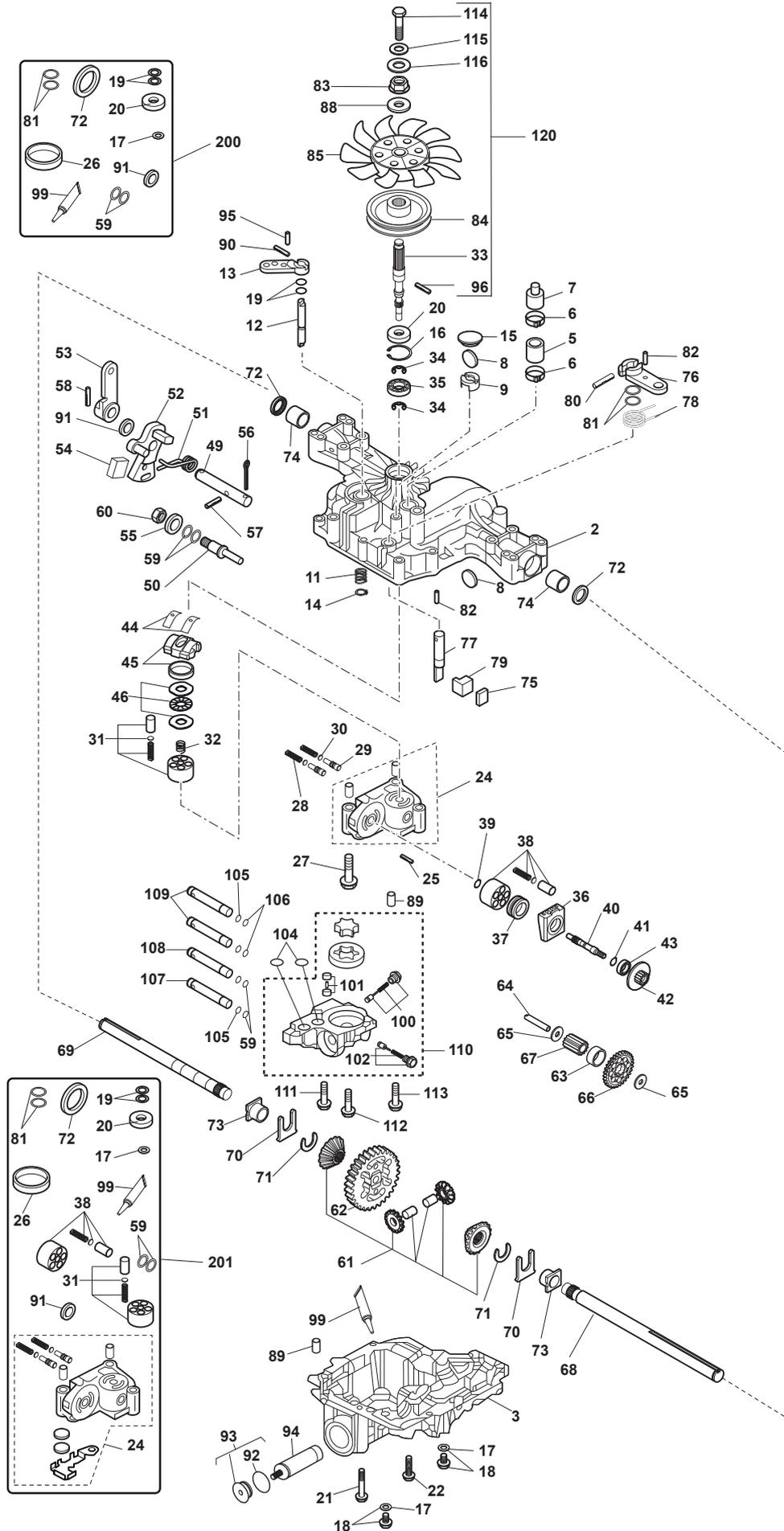
Utgåva Issue 11 - 2015		Dekaler Labels			
Pos. Fig.	Antal Q.ty	Art nr Part No	Benämning	Description	Anmärkning Notes
1	3	114367494/2	Dekal STIGA logo	Label STIGA logo	
2	2	114368468/0	Dekal Park 540 LPX	Label Park 540 LPX	Park 540 LPX
4	1	114368323/0	Dekal	Label	only 4WD models
5	1	114358460/0	Dekal	Label	
6	1	114368429/0	Dekal	Label	



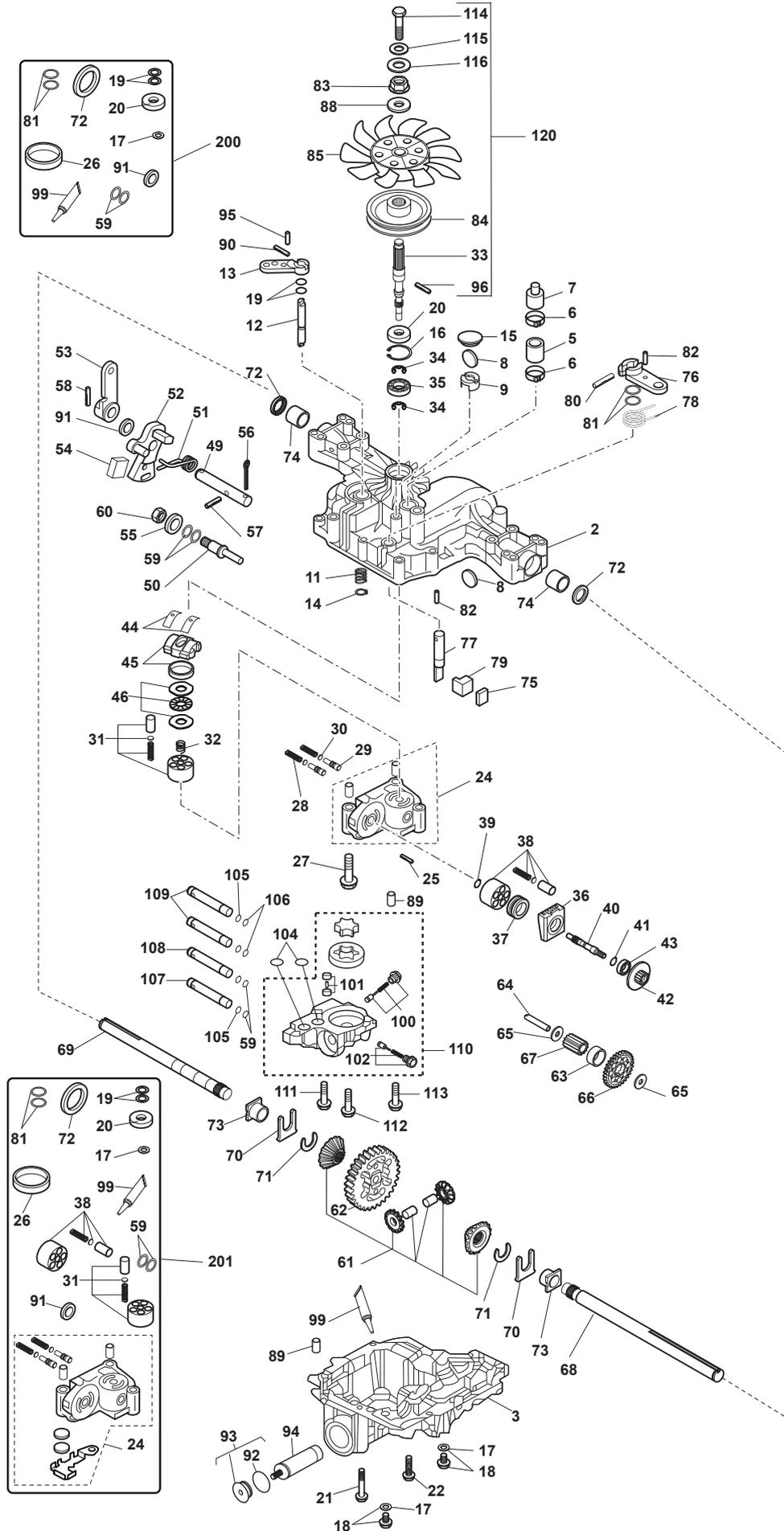
Utgåva Issue 11 - 2015		Transmission		Transmission	
Pos. Fig.	Antal Q.ty	Art nr Part No	Benämning	Description	Anmärkning Notes
1	1	1134-6029-01	Motoraxel-Främre (Ktm10M)	Front Motor Unit (Ktm10M)	Kanzaki KTM 10M/ KTM10M/
2	1	1139-1417-01	Hus-Övre	Housing-Upper	Pos 74 incl./KTM10M/
2	1	1139-1604-01	Hus-Övre	Housing Assy-Upper	Pos 74 incl.
3	1	1139-1418-01	Hus-Nedre	Housing-Lower	/KTM10M/
4	1	1139-1123-01	Bult	Bolt	/KTM10M/
5	1	1139-1384-01	Glidplat	Skid Plate	/KTM10M/
5	1	1139-1603-01	Glidplat	Skid Plate	
8	2	1139-1150-01	Magnet	Magnet	
9	1	1139-1341-01	Magnethallare	Magnet Holder	/KTM10M/
10	1	1139-1388-01	Bricka	Washer	/KTM10M/
11	1	1139-1421-01	Fjäder	Spring	/KTM10M/
12	1	1139-1420-01	By-Passaxel	By-Pass Shaft	/KTM10M/
13	1	1139-1189-01	Arm	By-Pass Lever	/KTM10M/
14	1	1139-1391-01	Lasring	Ring	/KTM10M/
15	1	1139-1275-01	Plugg	Bore Plug	
15	1	1139-1397-01	Tätningshuv	Sealing Cap	/KTM10M/
16	2	1139-1444-01	Lasring	Ring	
17	1	1139-1280-01	Stift	Pin	/KTM10M/
19	2	1139-1114-01	O-Ring	O-Ring	
21	3	1139-1291-01	Bult	Bolt	
22	11	1139-1448-01	Bult	Bolt	
23	1	1139-1103-01	Bricka	Washer	/KTM10M/
24	1	1139-1419-01	Centrumhus	Center Case	/KTM10M/
24	1	1139-1503-01	Centrumhus	Center Case	/KTM10M/
24	1	1139-1723-01	Centrumhus Kpl	Center Case Assy	
25	1	1139-1445-01	Stift	Pin	/KTM10M/
26	1	1139-1500-01	Dräneringsbult-Sats	Drain Bolt Kit	/KTM10M/
27	2	1139-1449-01	Bult	Bolt	
28	2	1139-1446-01	Packning	Packing	
29	2	1139-1447-01	Tätningring	Seal	
30	2	1139-1424-01	Anslutning	Connector	
36	1	1139-1422-01	Hus	Housing	/KTM10M/
36	1	1139-1504-01	Motorhus	Motor Housing	/KTM10M/
37	1	1139-1438-01	Lager	Bearing	/KTM10M/
38	1	1139-1139-01	Cylinderblock Kpl	Cylinder Block Assy	/KTM10M/
38	1	1139-1509-01	Cylinderblock Kpl	Cylinder Block Kit	/KTM10M/
40	1	1139-1425-01	Motoraxel	Motor Shaft	/KTM10M/
42	1	1139-1451-01	Bromsskiva	Brake Disc	/KTM10M/
43	1	1139-1453-01	Lager	Bearing	/KTM10M/
47	1	1139-1426-01	Motordrev	Motor Gear	/KTM10M/
58	1	1139-1330-01	Hylsa	Collar	/KTM10M/
59	1	1139-1435-01	Hylsa	Collar, Axle	/KTM10M/
60	1	1139-1440-01	Stift	Pin	/KTM10M/
61	1	1139-1439-01	Differentialdrev	Differential Gear Kit	/KTM10M/
62	1	1139-1429-01	Slutdrev	Final Gear	/KTM10M/
63	1	1139-1427-01	Hylsa	Collar	/KTM10M/
64	1	1139-1256-01	röduktionsaxel	Reduction Shaft	/KTM10M/
65	2	1139-1398-01	Bricka	Washer	



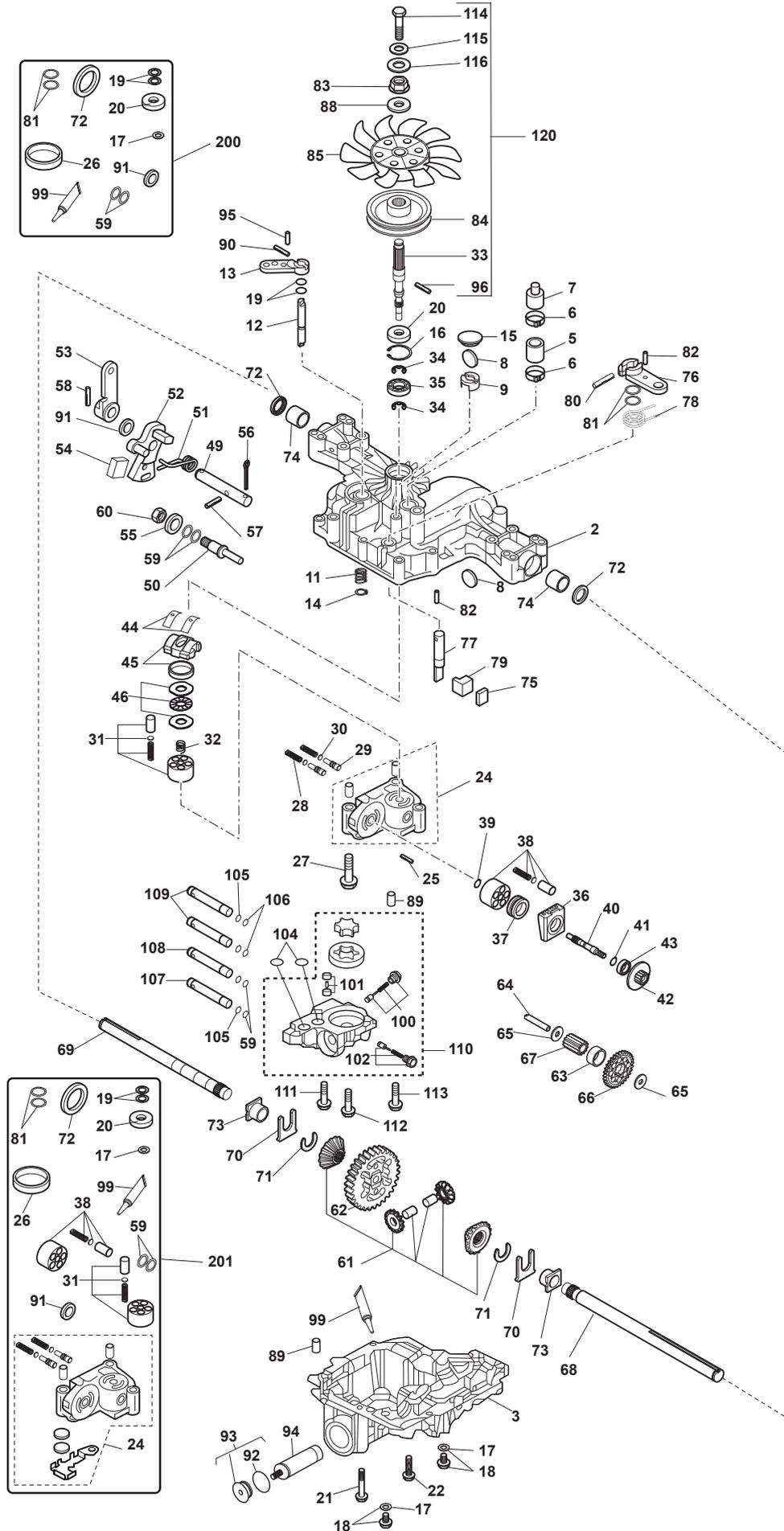
Utgåva Issue 11 - 2015		Transmission			
Pos. Fig.	Antal Q.ty	Art nr Part No	Benämning	Description	Anmärkning Notes
66	1	1139-1430-01	Reduktionsdrev	Reduction Gear	/KTM10M/
67	1	1139-1361-01	Slutdrev	Final Pinion Gear	/KTM10M/
68	1	1139-1432-01	Hjulaxel	Axle	/KTM10M/
69	1	1139-1431-01	Hjulaxel	Axle	/KTM10M/
70	2	1139-1194-01	Bricka	Thrust Washer	
71	2	1139-1155-01	Lasring	Ring	
72	2	1139-1044-01	Tätning	Seal 25.4*42*8	
73	2	1139-1156-01	Bussning	Bushing	
74	2	1139-1415-01	Bussning	Bushing	
75	1	1139-1260-01	Bromssko	Brake Shoe	/KTM10M/
83	1	1139-1450-01	Tätningshuv	Sealing Cap	/KTM10M/
99	1	1139-1443-01	Tätningmedel	Sealant (Tube)	/KTM10M/
200	1	1139-1436-01	Servicesats	Seal Kit	/KTM10M/



Utgåva Issue 11 - 2015		Transmission			
Pos. Fig.	Antal Q.ty	Art nr Part No	Benämning	Description	Anmärkning Notes
1	1	1137-0125-01	Transaxel K574F	Transaxle K574F	Kanzaki K574F
2	1	1139-1470-01	Hus-Övre	Housing-Upper	Pos 74 incl.
3	1	1139-1456-01	Hus-Nedre	Housing-Lower	
5	1	1139-1301-01	Rör	Tube	
6	2	1139-1336-01	Slangklämma	Cobra Clip	
7	1	1139-1306-01	Adapter	Adaptor	
8	2	1139-1150-01	Magnet	Magnet	
9	1	1139-1341-01	Magnethallare	Magnet Holder	
11	1	1139-1347-01	Fjäder	Spring	
12	1	1139-1251-01	Axel	By-Pass Shaft	
13	1	1139-1189-01	Arm	By-Pass Lever	
14	1	1139-1161-01	Lasring	Ring	
15	1	1139-1275-01	Plugg	Bore Plug	
16	1	1139-1104-01	Lasring	Snap Ring	
17	2	1139-1103-01	Bricka	Washer	
18	2	1139-1500-01	Dräneringsbult-Sats	Drain Bolt Kit	Pos 17 incl.
20	1	1139-1119-01	Tätning	Seal 15*35*7	
21	4	1139-1455-01	Skruv	Screw	
22	12	1139-0244-01	Skruv	Screw	
24	1	1139-1605-01	Centrumhus	Center Case	
25	1	1139-1158-01	Stift	Pin	
27	2	1139-1294-01	Bult	Bolt	
28	2	1139-1468-01	Ventil	Ids Valve	
29	2	1139-1243-01	Fjäder	Spring	
30	2	1139-1307-01	Filter	Filter	
31	1	1139-1356-01	Cylinderblock Kpl	Cylinder Block Kit	
32	1	1139-1245-01	Fjäder	Pump Spring	
33	1	1139-1724-01	Pumpaxel Kpl	Pump Shaft Assy	Pos 96 incl.
34	3	1139-1146-01	Lasring	Ring	
35	1	1139-1110-01	Kullager	Ball Bearing	
36	1	1139-1458-01	Hus	Housing	
37	1	1139-1438-01	Lager	Bearing	
38	1	1139-1509-01	Cylinderblock Kpl	Cylinder Block Kit	
39	1	1139-1160-01	Bricka	Washer	
40	1	1139-1353-01	Motoraxel	Motor Shaft	
41	1	1139-1021-01	Lasring	Snap Ring	
42	1	1139-1272-01	Motordrev	Motor Gear	
43	1	1139-1453-01	Lager	Bearing	
44	2	1139-1066-01	Tryckplatta	Use 1139-1141-01	
45	1	1139-1597-01	Stänkplatta	Swash Plate	
46	1	1139-1508-01	Lager	Thrust Bearing Kit	
49	1	1139-1354-01	Regleraxel	Control Shaft	
50	1	1139-1410-01	Vridcentrum	Fulcrum	
51	1	1139-1312-01	Vridfjäder	Torsion Spring	
52	1	1139-1409-01	Reglerarm	Lever	
53	1	1139-1325-01	Reglerarm	Control Lever	
54	1	1139-1596-01	Ryckplatta	Jerky Plate	
55	1	1139-1102-01	Bricka	Washer	
56	1	1139-1355-01	LasSprint	Cotter Pin	



Utgåva Issue 11 - 2015		Transmission		Transmission	
Pos. Fig.	Antal Q.ty	Art nr Part No	Benämning	Description	Anmärkning Notes
57	1	1139-1329-01	Stift	Pin	
58	1	1139-1285-01	Stift	Pin	
60	1	1139-1127-01	Mutter	Nut	
61	1	1139-1404-01	Differentialdrev Kpl	Diff.Gear Kit	
62	1	1139-1258-01	Slutdrev	Final Gear	
63	1	1139-1255-01	Hylsa	Collar	
64	1	1139-1256-01	reduktionsaxel	Reduction Shaft	
65	2	1139-1398-01	Bricka	Washer	
66	1	1139-1267-01	Reduktionsdrev	Reduction Gear	
67	1	1139-1361-01	Slutdrev	Final Pinion Gear	
68	1	1139-1344-01	Hjulaxel Vä	Axle Shaft-L	
69	1	1139-1345-01	Hjulaxel Hö	Axle Shaft-R	
70	2	1139-1078-01	Bricka	Thrust Washer	
71	2	1139-1163-01	Lasring	Ring	
72	2	1139-1080-01	Tätning	Seal 19*32*8	
73	2	1139-1164-01	Bussning	Bushing	
74	2	1139-1414-01	Bussning	Bushing	
75	1	1139-1260-01	Bromssko	Brake Shoe	
76	1	1139-1261-01	Bromsarm	Brake Arm	
77	1	1139-1320-01	Bromsaxel	Brake Shaft	
78	1	1139-1411-01	Returfjäder	Return Spring	
79	1	1139-1264-01	Tryckplatta	Brake Actuator	
80	1	1139-1282-01	Stift	Pin	
82	2	1139-1281-01	Stift	Pin	
83	2	1139-1248-01	Krage	Spline Collar	
84	1	1139-1469-01	Remskiva	Pulley	
85	1	1134-4190-01	Fläkt	Fan	
88	1	1139-1276-01	Bricka	Collar	
89	4	1139-1166-01	Stift	Pin	
90	1	1139-1280-01	Stift	Pin	
91	1	1139-1303-01	Tätningring	Seal Ring	
92	1	1139-1534-01	O-Ring	O-Ring	
93	1	1139-1510-01	Lock	Cap Kit	Pos 92 incl.
94	1	1139-1186-01	Filter	Filter	
95	1	1139-1279-01	Stift	Pin	
96	1	1139-1148-01	Stift	Pin	
99	1	1139-1443-01	Tätningmedel	Sealant (Tube)	
100	1	1139-1462-01	Ventil	Valve	
101	1	1139-1234-01	Ventil	Check Cmp	
102	1	1139-1463-01	Ventil	Valve	
105	1	1139-0239-01	Packning	Packing	
106	2	1139-1168-01	Packning	Packing	
107	1	1139-1459-01	Nippel	Piping	
108	1	1139-1460-01	Nippel	Piping	
109	2	1139-1464-01	Anslutning	Connector	
110	1	1139-1526-01	Pumphus Kpl	Pump Case Kit	Pos 100 - 102 incl.
111	1	1139-1472-01	Bult	Bolt	
112	1	1139-1473-01	Bult	Bolt	
113	1	1139-1471-01	Bult	Bolt	



Utgåva Issue 11 - 2015		Transmission			
Pos. Fig.	Antal Q.ty	Art nr Part No	Benämning	Description	Anmärkning Notes
114	1	1139-1719-01	Bult	Bolt	
115	1	1139-1720-01	Bricka	Washer	
116	1	1139-1721-01	Bricka	Washer	
120	1	1139-1725-01	Pumpaxel Kpl	Pump Shaft Kit	Pos 33, 114-116 incl.
200	1	1139-1481-01	Sats-Tätningar	Seal Kit	
201	1	1139-1527-01	Reparationssats	Repair Kit	

code	pos.	q.ty	page				
112154220/0	21	1	p. 27	112689515/0	33	1	p. 35
112154220/0	22	1	p. 33	112691100/0	34	1	p. 29
112154220/0	22	2	p. 9	112691115/0	14	1	p. 13
112154220/0	23	4	p. 15	112691200/0	29	1	p. 27
112154220/0	29	1	p. 23	112691800/0	20	1	p. 33
112154220/0	32	2	p. 21	112692395/1	6	1	p. 35
112154220/0	34	2	p. 5	112728697/0	39	3	p. 21
112154220/0	35	2	p. 29	112728697/0	41	2	p. 5
112154220/0	36	2	p. 13	112728697/0	46	2	p. 5
112154330/0	21	2	p. 5	112735105/0	21	2	p. 23
112154330/0	25	2	p. 21	112735669/0	7	2	p. 37
112154510/0	1	1	p. 37	112791500/0	6	1	p. 27
112154510/0	5	1	p. 23	112791500/0	18	1	p. 37
112154510/0	6	1	p. 13	112791500/0	18	2	p. 11
112154510/0	6	2	p. 5	112791500/0	31	1	p. 37
112154510/0	8	1	p. 27	112792099/0	4	1	p. 37
112154510/0	10	2	p. 37	112792099/0	12	2	p. 37
112154510/0	11	1	p. 11	112792410/0	37	1	p. 35
112154510/0	13	1	p. 27	112793102/0	33	1	p. 33
112154510/0	16	1	p. 33	112793102/0	74	1	p. 17
112154510/0	16	2	p. 37	112793905/0	15	1	p. 27
112154510/0	19	1	p. 37	112794300/0	4	1	p. 33
112154510/0	19	2	p. 29	112794300/0	19	2	p. 15
112154510/0	28	1	p. 25	112794900/0	13	2	p. 15
112154510/0	32	1	p. 27	112794900/0	30	1	p. 35
112154510/0	32	2	p. 37	112794950/0	29	1	p. 33
112154510/0	34	1	p. 35	112815200/0	29	2	p. 5
112154510/0	39	1	p. 35	112815200/0	59	2	p. 15
112155000/0	9	2	p. 15	112818700/0	12	1	p. 33
112155000/0	12	1	p. 21	114358460/0	5	1	p. 39
112155000/0	13	1	p. 33	114367494/2	1	3	p. 39
112155000/0	14	1	p. 11	114368323/0	4	1	p. 39
112155000/0	14	1	p. 19	114368429/0	6	1	p. 39
112155000/0	15	1	p. 11	114368468/0	2	2	p. 39
112155000/0	15	1	p. 13	133320027/0	24	5	p. 23
112155000/0	17	1	p. 27	133320027/0	29	1	p. 25
112155000/0	19	2	p. 13	137033100/0	6	1	p. 33
112155000/0	26	4	p. 27	137038000/0	36	1	p. 35
112155000/0	29	2	p. 9	187000454/0	3	2	p. 31
112155000/0	31	2	p. 27	187000454/0	23	2	p. 31
112155000/0	43	6	p. 13	187040310/0	40	1	p. 23
112155000/0	48	2	p. 27	325160039/0	31	2	p. 33
112155000/0	56	1	p. 27	337060000/1	20	1	p. 37
112156603/0	33	1	p. 13	337060001/1	11	1	p. 37
112293201/0	34	1	p. 33	337060002/0	21	1	p. 37
112295200/0	4	1	p. 27	337060004/0	30	1	p. 37
112295200/0	5	1	p. 33	337394201/0	57	1	p. 15
112379511/0	50	1	p. 27	337546545/0	4	1	p. 35
112521330/0	15	1	p. 33	337546547/0	32	2	p. 33
112521330/0	15	2	p. 37	337580550/0	75	1	p. 17
112521330/0	32	2	p. 29	337600001/2	38	1	p. 35
112521360/0	7	1	p. 35	337600010/0	2	1	p. 37
112521360/0	11	2	p. 33	337600011/0	3	1	p. 37
112521360/0	14	1	p. 35	337670201/0	24	1	p. 33
112523050/0	8	2	p. 37	337670201/0	63	1	p. 17
112523060/0	9	4	p. 5	337785100/0	14	1	p. 37
112523060/0	16	1	p. 27	387318251/0	9	1	p. 33
112523060/0	20	1	p. 27	387520107/0	71	1	p. 17
112523060/0	21	1	p. 33	387602503/0	51	1	p. 9
112524010/0	13	2	p. 37	387800013/0	1	1	p. 9
112583500/0	73	1	p. 17				
112604896/0	40	1	p. 29				
112604896/0	56	1	p. 29				
112604899/0	17	1	p. 13				
112620299/0	72	1	p. 17				
112689500/0	10	1	p. 11				