



Reservdelskatalog Parts Catalogue

Park 720 W

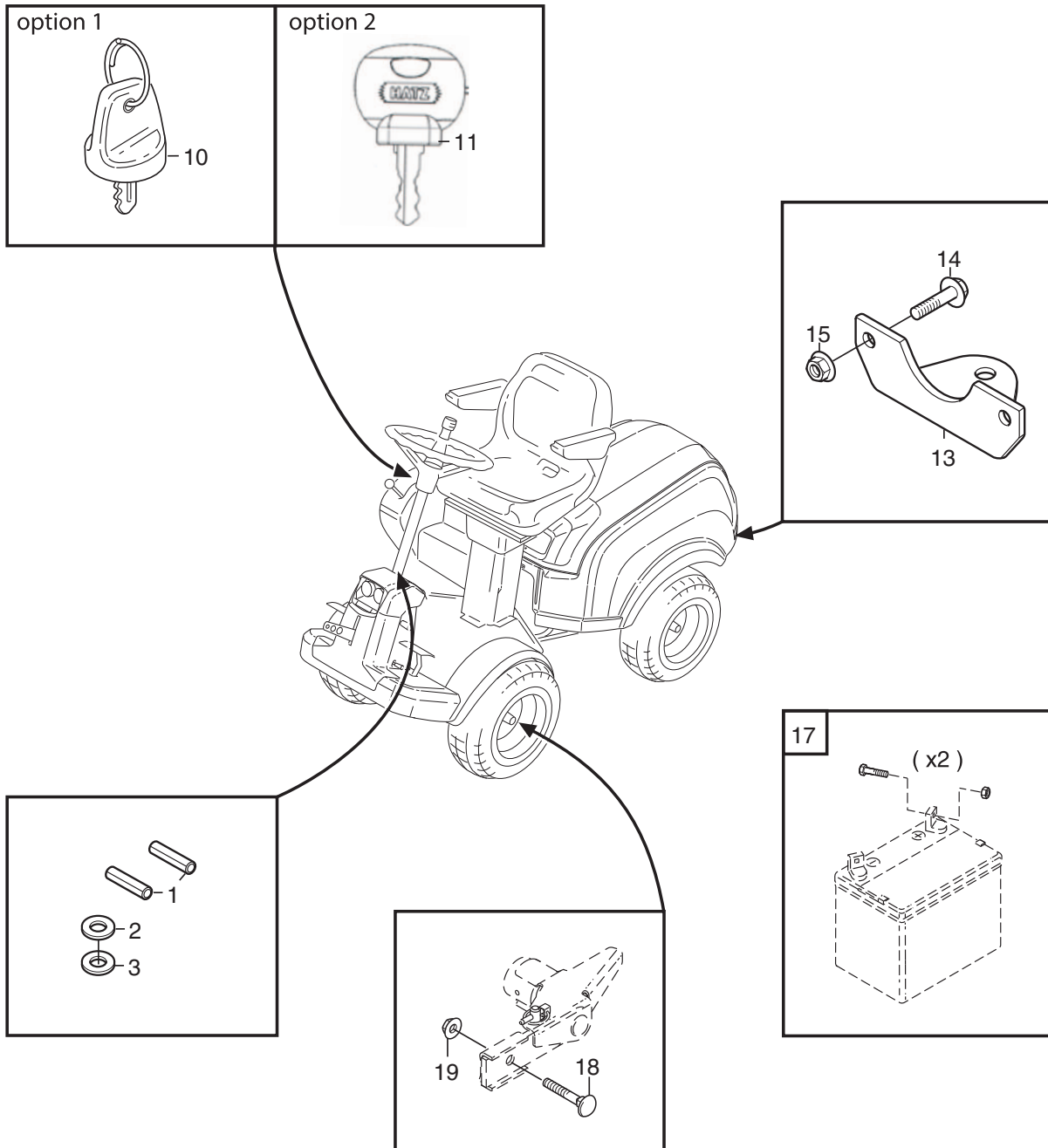
2F6020621/S16 - Season 2016

- Use GLOBAL GARDEN PRODUCT Genuine Spare Parts specified in the parts list for repair and/or replacement.
 - The contents described in the parts list may change due to improvement.
 - The drawings of the spare parts are only indicative and might not represent the part in question exactly.
 - The indications "right" - "left" - "front" - "rear" refer to the position of the operator when using the machine.
- When placing orders of parts for repair and/or replacement, make sure that the illustrated parts list is the one applying to the machine's year of manufacture, as shown on the identification plate attached to the machine.

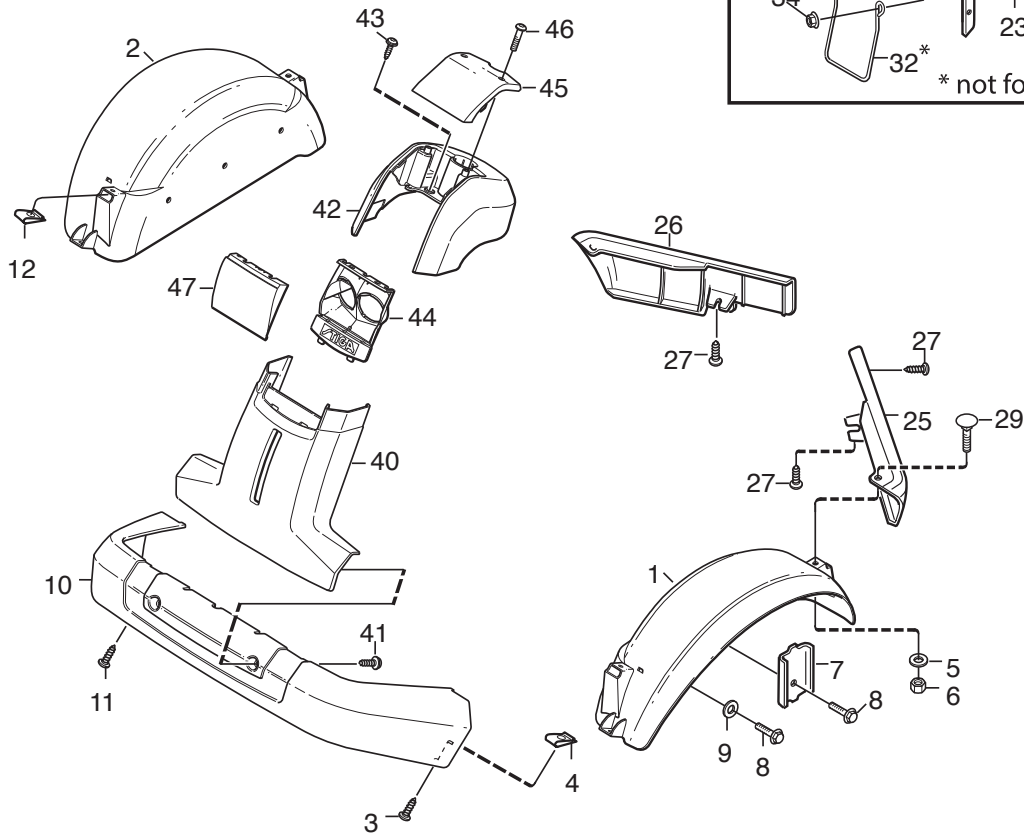
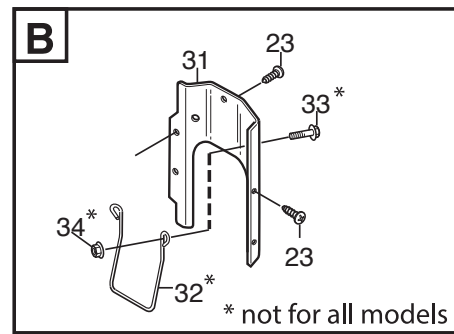
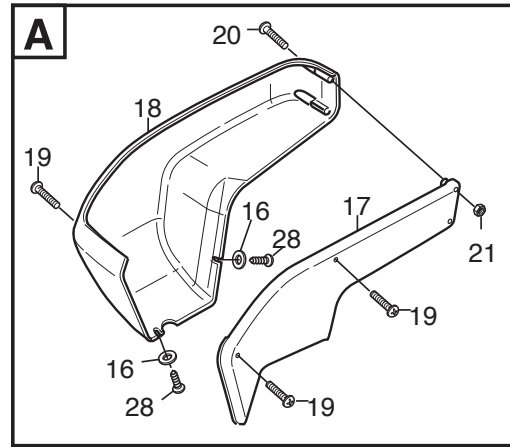
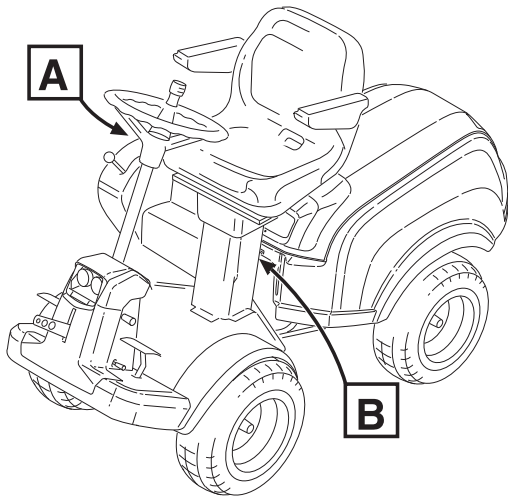
© Copyright 2016 Global Garden Products

All rights reserved. No part of this material may be reproduced or transmitted, in any form or by any means, electronic or mechanical, including photocopying, recording or by any information storage and retrieval system, without permission in writing from GLOBAL GARDEN PRODUCTS.

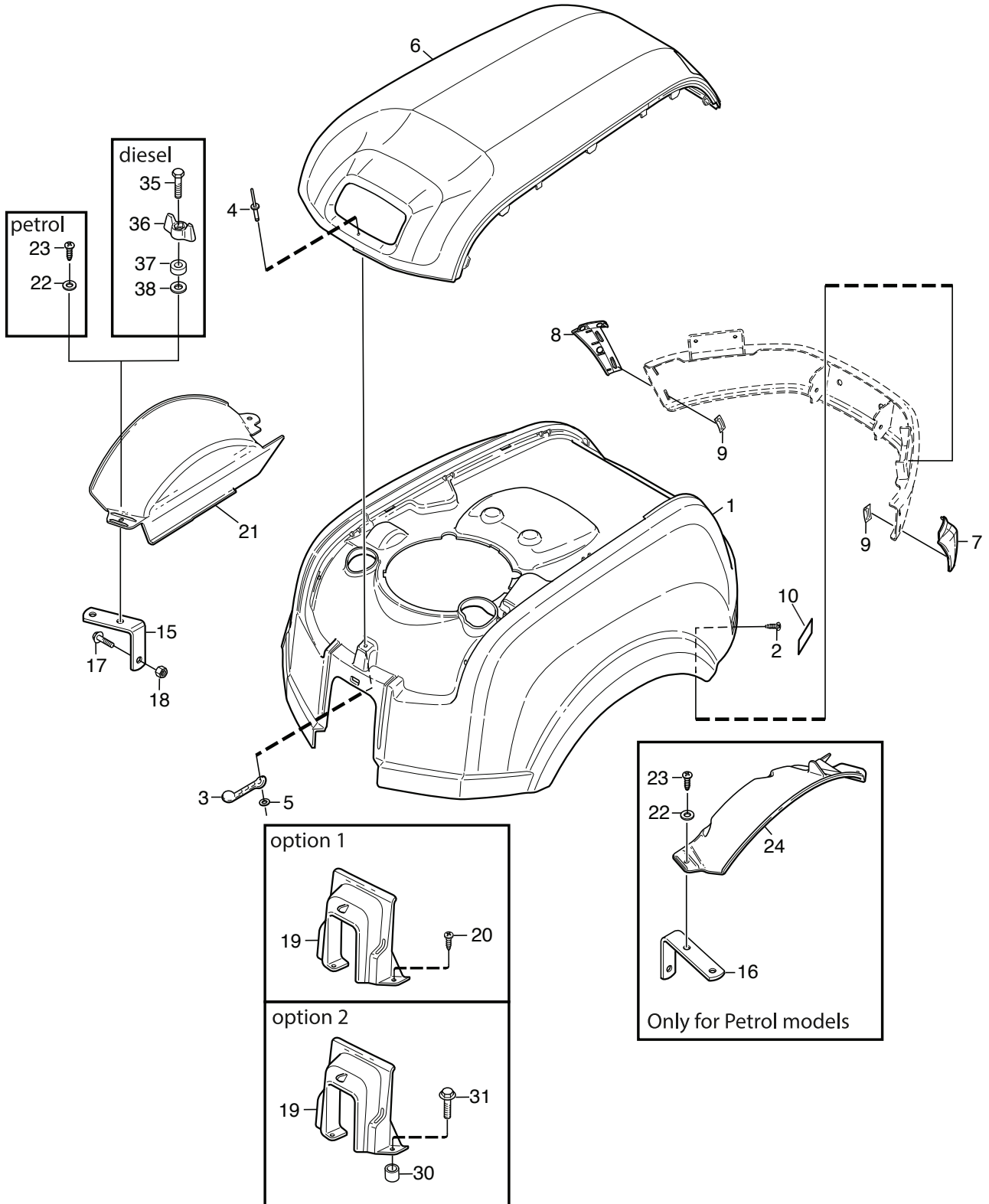
www.stiga.com



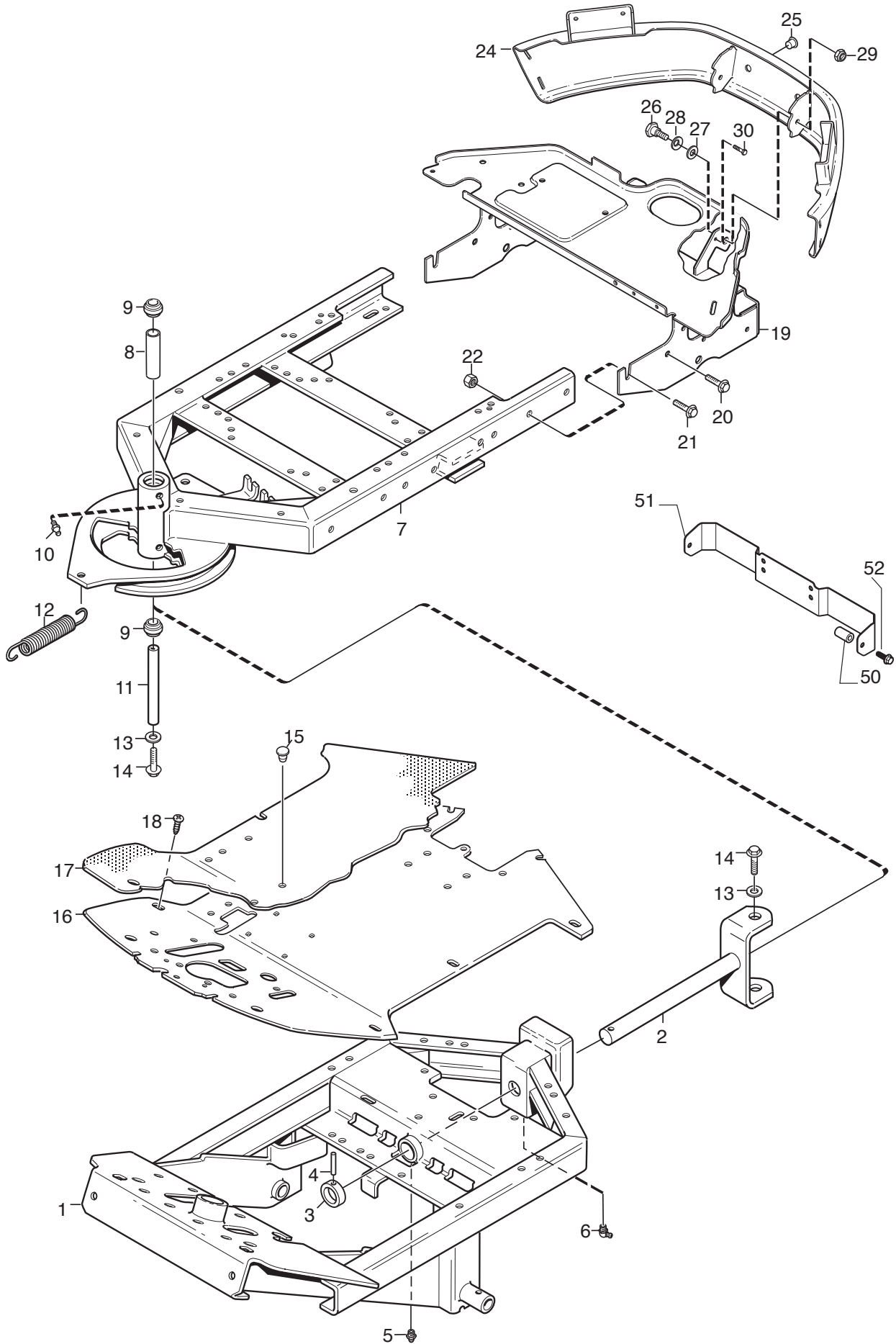
Utgåva Issue 18 - 2016		Monteringsdetaljer Assembly parts			
Pos. Fig.	Antal Q.ty	Art nr Part No	Benämning	Description	Anmärkning Notes
1	2	9595-0262-00	Spännstift	Locating Pin	0.5 mm
2	1	9699-0103-02	Bricka	Washer	1.0 mm
3	1	9699-0114-02	Bricka	Washer	1.0 mm
10	2	1134-4734-01	Tändningsnyckel	Ignition Key	
13	1	1134-5512-01	Dragplat5-01	Towing Plate	
14	2	9959-0820-16	Skruv	Screw	
15	2	112154220/0	Mutter	Nut	
17	1	1134-6113-02	Skruv	Screw	
18	2	9898-1035-16	Skruv	Screw	
19	2	9739-1031-22	Mutter	Nut	



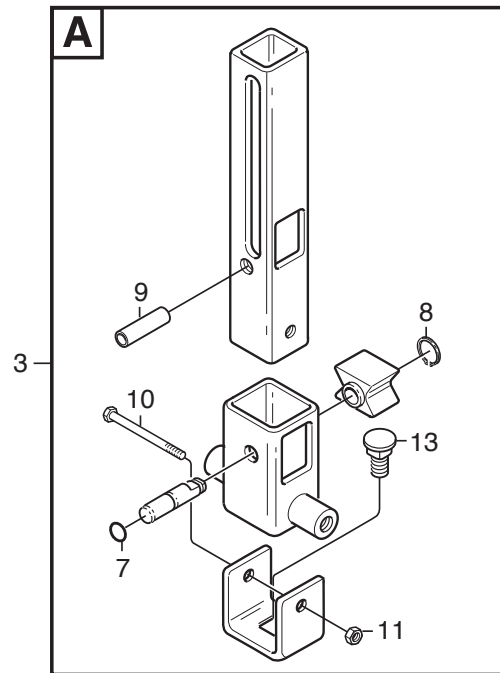
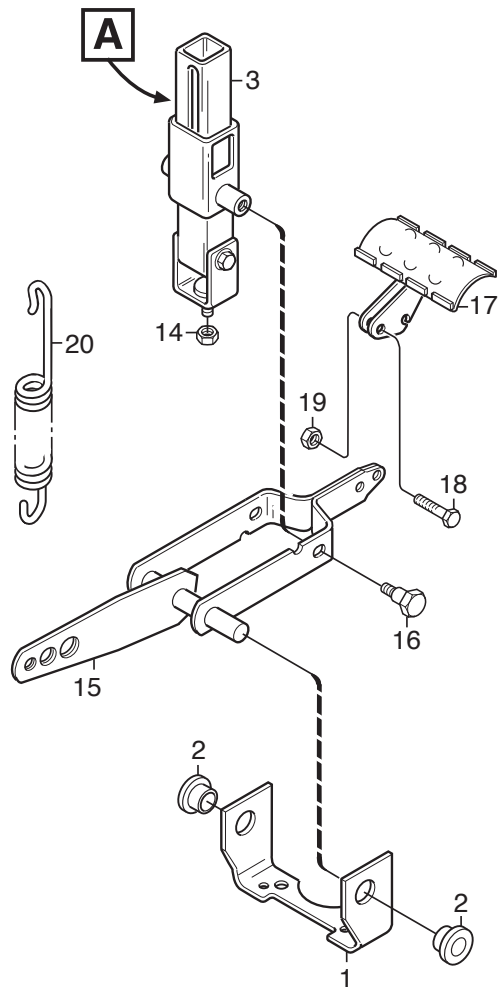
Utgåva Issue 18 - 2016		Kaross Body works			
Pos. Fig.	Antal Q.ty	Art nr Part No	Benämning	Description	Anmärkning Notes
1	1	337491251/0	Framskärm-Vä	Mud Guard, Front-Lh	
2	1	337491250/0	Framskärm-Hö	Mud Guard, Front-Rh	
3	2	9893-0616-16	Skruv	Screw	
4	2	1134-4176-01	Clips	Clips	
5	2	9699-0060-02	Bricka	Washer	
6	2	112154510/0	Mutter	Nut	
7	2	1137-0088-01	Stödplat	Support Plate	
8	6	9945-0816-16	Skruv	Screw	
9	4	112523060/0	Bricka	Washer	
10	1	337502507/0	Stötfangare-Fram	Front Bumper	
11	6	9893-0616-16	Skruv	Screw	
12	2	1134-4176-01	Clips	Clips	
16	2	9699-0099-02	Bricka	Washer	
17	1	1134-4360-01	Kapa-Inre (1-00)	Cover-Inner	
18	1	1134-3979-01	Kapa Yttre1-00	Cover-Outer	
19	3	9946-0525-16	Skruv	Screw	
20	2	9950-0570-12	Skruv	Screw	
21	2	112154330/0	Mutter	Nut	
23	4	9893-0616-16	Skruv	Screw	
25	1	337110331/0	Kantlist-Vä (Gra)	Moulding-Left (Grey)	
26	1	337110332/0	Kantlist-Hö (Gra)	Moulding Right-Grey	
27	4	9893-0616-16	Skruv	Screw	
28	2	9840-8013-16	Skruv	Screw	
29	2	112815200/0	Skruv	Screw	
31	1	1134-6461-01	Bakstycke 1-00	Rear Plate	
40	1	1137-0050-01	Frontkapa-Nedre	Front Panel-Lower	
41	2	112728697/0	Skruv	Screw	
42	1	1137-0051-01	Frontkapa-Övre	Front Panel-Upper	
43	2	9946-0525-16	Skruv	Screw	
44	1	337110329/0	Lamphallare	Lamp Holder	
45	1	337110330/0	Toppkapa	Top Panel	
46	2	112728697/0	Skruv	Screw	
47	1	1137-0054-01	Lampglas	Lamp Glass	



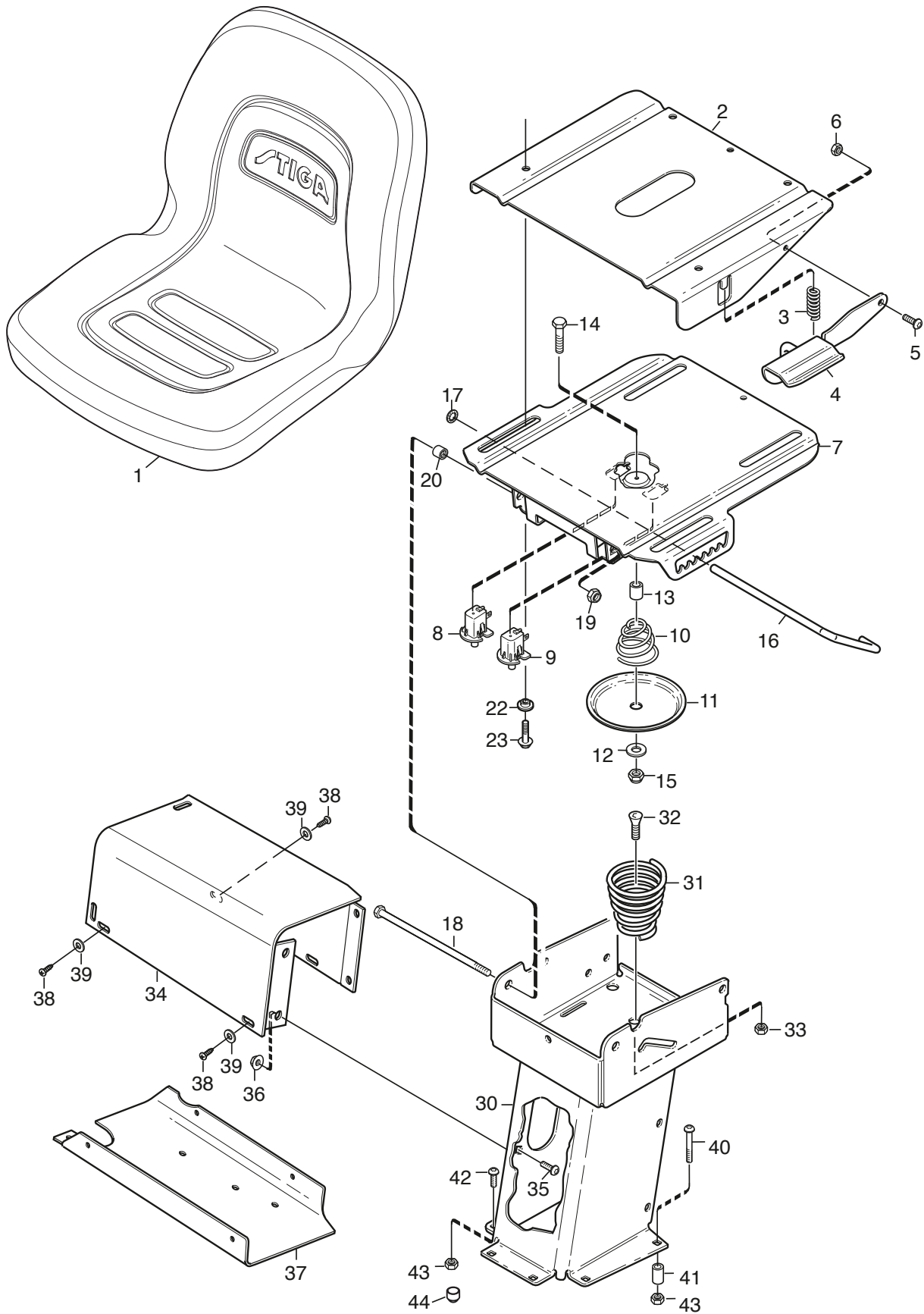
Utgåva Issue 18 - 2016		Kaross Body works			
Pos. Fig.	Antal Q.ty	Art nr Part No	Benämning	Description	Anmärkning Notes
1	1	1134-6025-01	Motorhuv(1-00)	Engine Hood	
2	4	9893-0616-16	Skruv	Screw	
3	1	1134-9028-01	Gummistropp (3 St)	Rubber Strap (3 Pcs)	Sats 3 st/kit of 3
4	1	9632-0513-00	Popnit1 -0420 Bs [Tap/D Bs] 3,2X20	Pop Rivet	
5	1	9699-0120-02	Bricka	Washer	
6	1	337110334/0	Motorlucka	Engine Cover	
7	1	337110336/0	Ändavslut Stötfangare-Vä	Bumper End-Lh	
8	1	337110335/0	Ändavslut Stötfangare-Hö	Bumper End-Rh	
9	4	1134-6310-01	Clips	Clip	
10	2	337580302/0	Plåt	Plate	
15	1	1134-4012-03	Stöd-Hö	Support, Right	
16	1	1134-4012-04	Stöd-Vä	Support, Left	Not for Diesel models
17	1	9959-0820-16	Skruv	Screw	
18	1	112154220/0	Mutter	Nut	
19	1	112154220/0	Mutter	Nut	
20	3	9893-0616-16	Skruv	Screw	
21	1	1134-4800-01	Innerskärm-Hö (Park)	Inner Mud Guard-Rh (Park)	
22	4	9699-0060-02	Bricka	Washer	Not for Diesel models
23	4	9893-0616-16	Skruv	Screw	Not for Diesel models
24	1	1134-4801-01	Innerskärm-Vä (Park)	Inner Mud Guard-Lh (Park)	Not for Diesel models
30	3	1137-0020-02	Distans	Spacer	Only for models with Vanguard 18
31	3	112735594/0	Skruv	Screw	Only for models with Vanguard 18



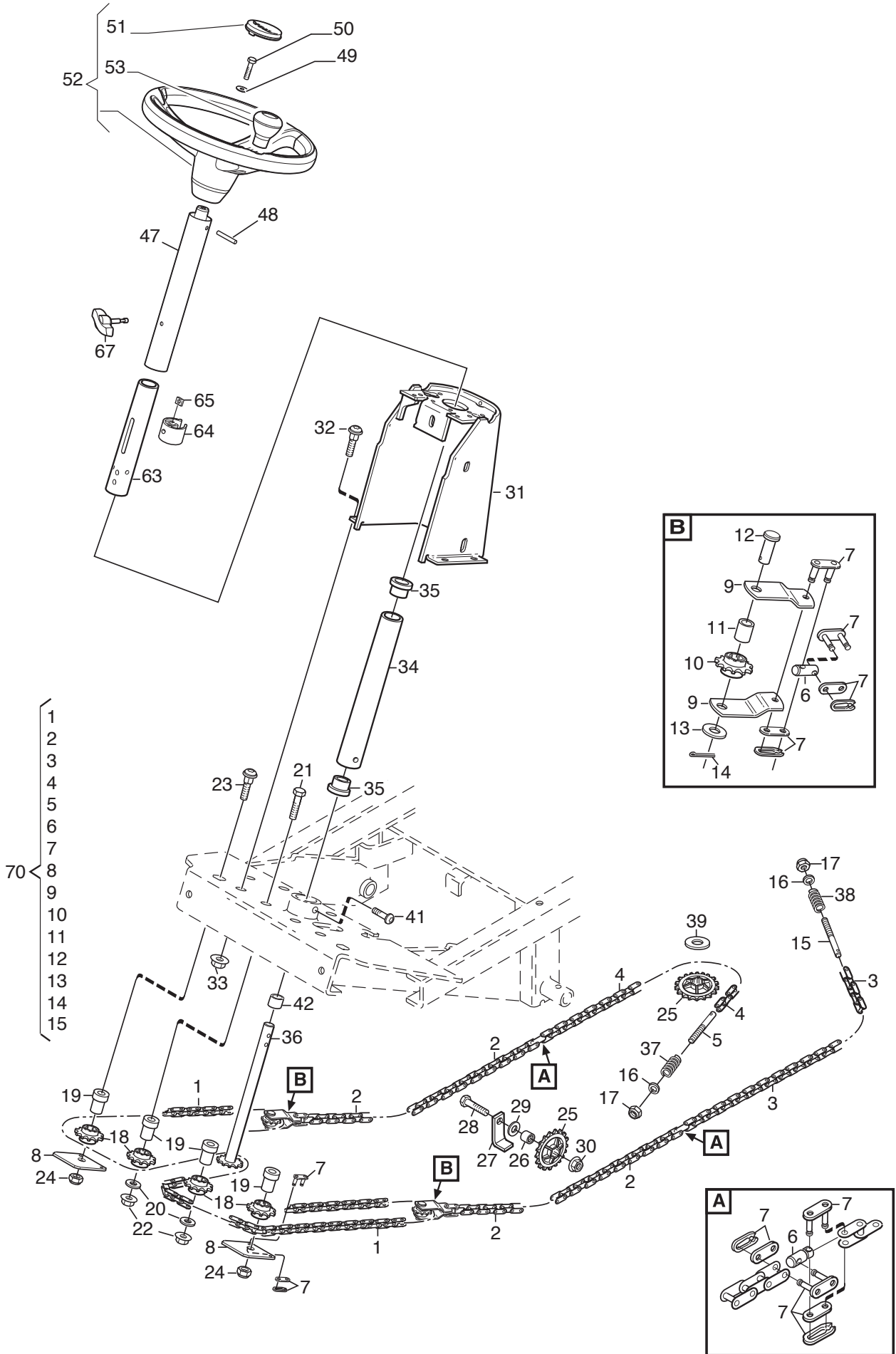
Utgåva Issue 18 - 2016		Ram Frame			
Pos. Fig.	Antal Q.ty	Art nr Part No	Benämning	Description	Anmärkning Notes
1	1	387800011/0	Ram-Främre Kpl	Frame Front	Incl. 2-3-4-5-6
2	1	1134-3963-02	Midjegaffel Service 5-01 H10	Fork	
3	1	1134-0031-00	Ledaxelstopp	Pivot Shaft Stop	
4	1	9595-0262-00	Spännstift	Locating Pin	
5	1	9501-0500-00	Smörjkopp Kort Rak	Grease Dispenser	Rak/straight
6	1	9501-0504-01	Smörjnippel	Grease Nipple M6 90	90°
7	1	1134-6466-02	Ram-Bakre Kpl	Frame-Rear Assy	Incl. 8-9-10
8	1	1134-5705-01	Distans	Spacer	
9	2	9547-0001-00	Ledlager	Bearing	
10	2	9501-0500-00	Smörjkopp Kort Rak	Grease Dispenser	
11	1	1134-5988-01	Centrumaxel	Centre Shaft	
12	1	1134-2171-01	Fjäder	Spring	
13	2	9699-0035-02	Bricka	Washer	
14	2	9959-1025-16	Skruv	Screw	
15	2	9403-0048-70	Täckpropp lkpt 13-6,5S	Cover Plug	
16	1	1134-6586-01	Durk (5-01)	Floor Plate	
17	1	114369182/0	Dekal	Label	
18	2	9893-0616-16	Skruv	Screw	
19	1	1134-5944-01	Tankhylla Kpl. 5-01	Tank Shelf Assy	
20	2	9945-0816-16	Skruv	Screw	
21	2	9959-0820-16	Skruv	Screw	
22	2	112154220/0	Mutter	Nut	
24	1	387457003/0	Stötfangare	Rear Bumper	
25	2	1134-4100-01	Täckpropp	Plug	
26	2	1134-0240-00	Skruv	Screw	
27	2	1134-4242-01	Distansbricka	Washer	
28	2	9665-0002-00	Bricka	Washer	
29	2	112155000/0	Mutter	Nut	
30	2	9943-0516-16	Skruv	Screw	
50	1	1134-1565-09	Distans	Spacer	
51	1	387602503/0	Skydd	Protection	
52	2	9945-0825-16	Skruv	Screw	



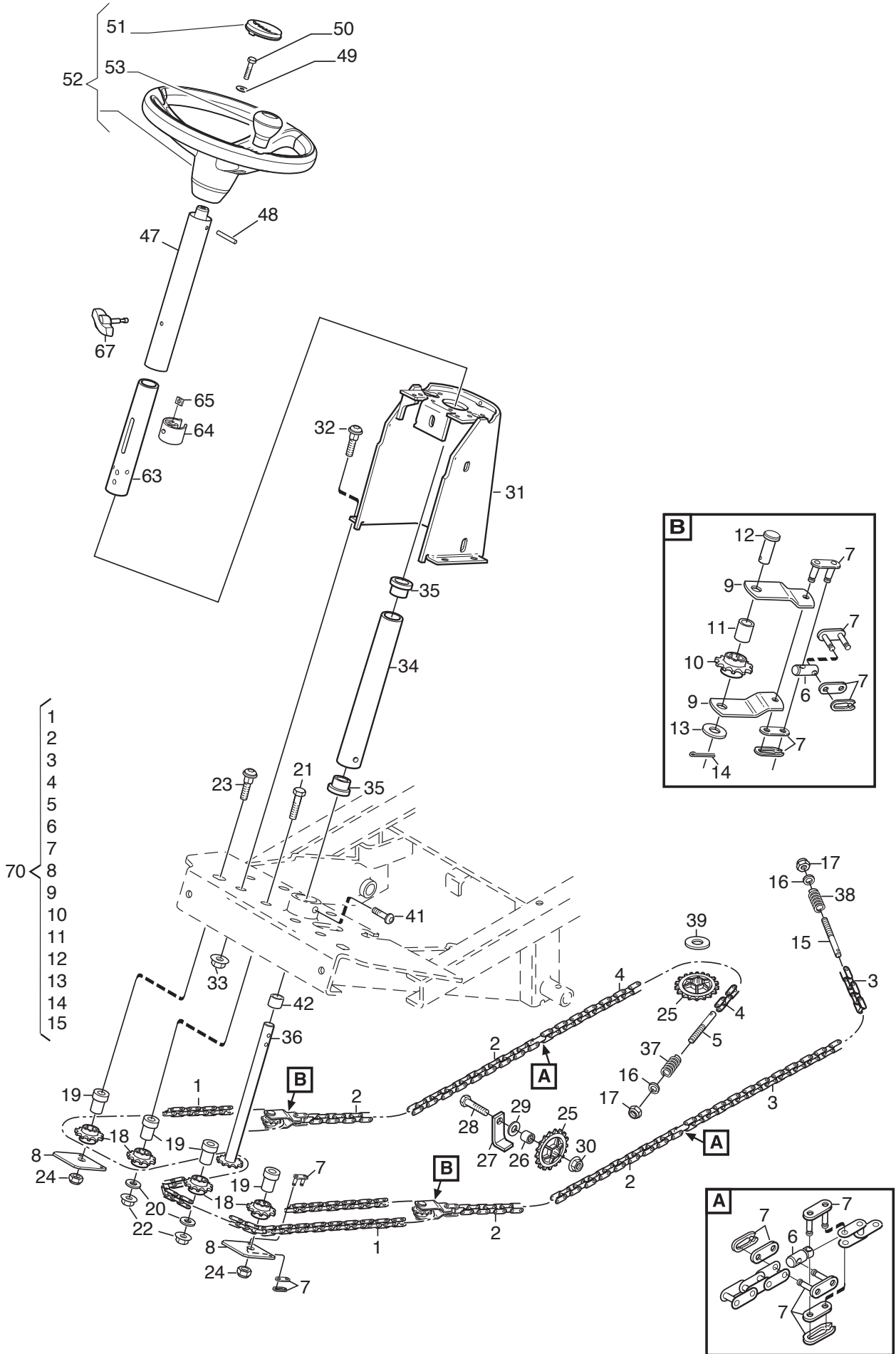
Utgåva Issue 18 - 2016		Pedallyft Pedal lift			
Pos. Fig.	Antal Q.ty	Art nr Part No	Benämning	Description	Anmärkning Notes
1	1	1134-4117-01	Fäste	Bracket	
2	2	1134-2684-01	Lager	Bearing	
3	1	1134-4945-01	Lyftspärr kpl	Lift Catch Assy	
7	1	9404-0027-01	O-ring	O-ring	
8	1	9650-0039-04	Sparring Sga 8	Lock Ring	
9	1	9595-0276-01	Spiralspännstift 8*24	Locating Pin	
10	1	112689500/0	Skruv	Screw	
11	1	112154510/0	Mutter	Nut	
13	1	9897-0820-16	Skruv	Screw	
14	1	112155000/0	Mutter	Nut	
15	1	387256055/0	Lyftgaffel	Lift Fork	
16	2	1134-0240-00	Skruv	Screw	
17	1	1134-4938-01	Lyftpedal	Lift Pedal	
18	2	112791500/0	Skruv	Screw	
19	2	9739-0631-22	Mutter	Nut	
20	1	4231-0013-00	Fjäder	Spring	



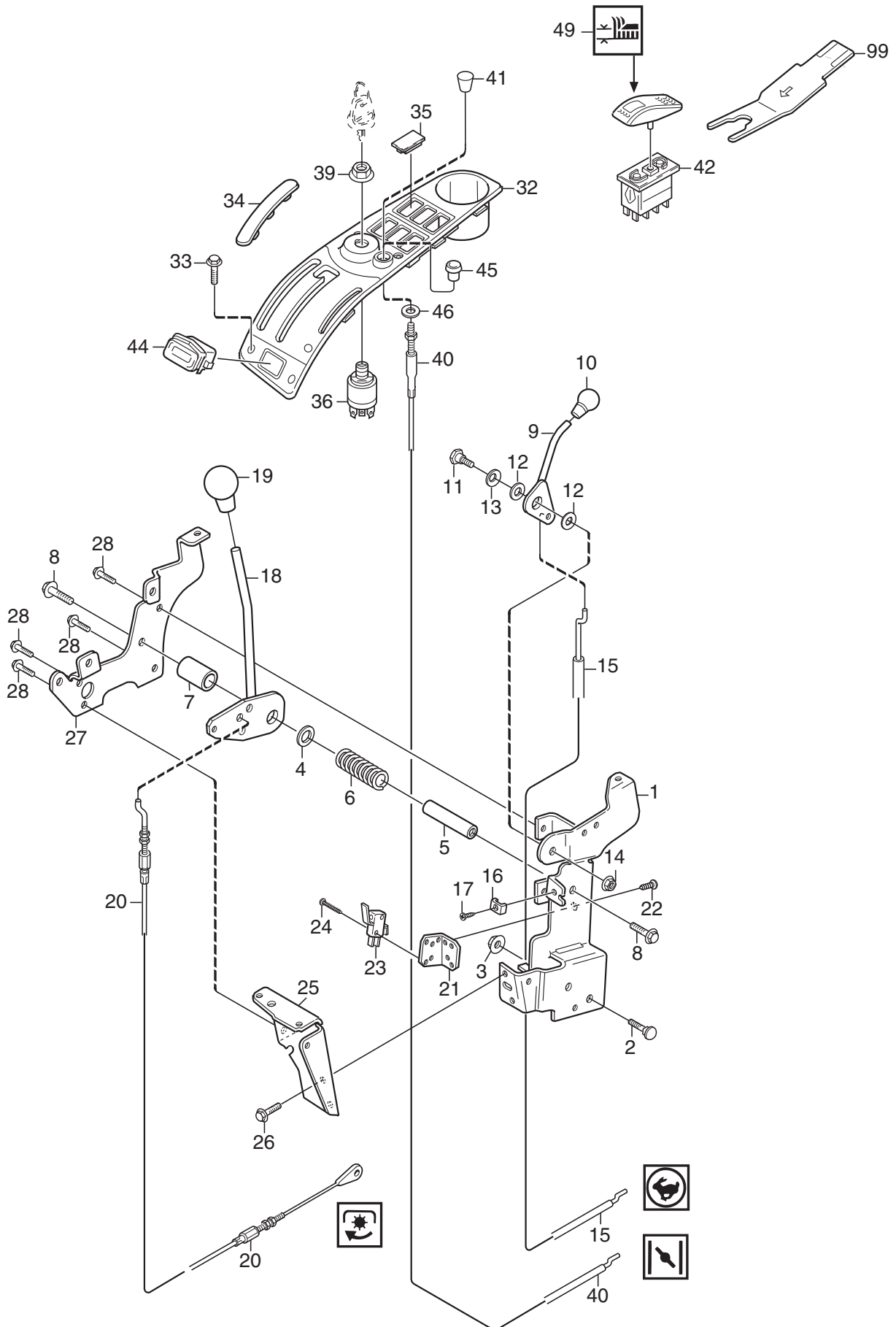
Utgåva Issue 18 - 2016		Seat			
Pos. Fig.	Antal Q.ty	Art nr Part No	Benämning	Description	Anmärkning Notes
1	1	137722602/0	Sits (Milsco 180)	Seat	
2	1	1134-6090-01	Glidplatta-Övre 5-01	Slide Plate-Upper	
3	1	1134-3262-01	Fjäder	Spring	
4	1	1134-6073-01	Handtag Kpl 5-01	Handle Assy	
5	1	9893-0616-16	Skruv	Screw	
6	1	112154510/0	Mutter	Nut	
7	1	1134-6068-01	Glidplatta-Undre Kpl 5-01	Slide Plate-Lower	
8	1	1134-3156-01	Brytare	Switch	
9	1	1134-3156-02	Brytare (gra)	Switch	
10	1	1134-5302-01	Fjäder	Spring	
11	1	1134-5299-01	Tryckplatta	Push Plate	
12	1	9699-0090-02	Bricka	Washer	
13	1	1134-1565-06	Distans	Spacer	
14	1	112691115/0	Skruv	Screw	
15	1	112155000/0	Mutter	Nut	
16	1	1134-5179-01	Spärr	Catch	
17	1	112604899/0	Starlock P6704 8 Fz	Crown Fastener	
18	1	9997-0818-02	Skruv	Screw	
19	2	112155000/0	Mutter	Nut	
20	2	1134-5626-03	Distans	Spacer	
22	4	1134-6078-01	Bricka	Flange Washer	
23	4	9959-0820-16	Skruv	Screw	
30	1	1134-5698-01	Sitskonsol Kpl 1-00	Seat Bracket Assy	
31	1	1134-4256-01	Fjäder	Spring	
32	1	9924-1235-19	Skruv	Screw	
33	1	112156603/0	Mutter	Nut	
34	1	1134-3990-01	Armsvep Kpl 041-00	Attachment-Side Panel	
35	2	9897-0820-16	Skruv	Screw	
36	2	112154220/0	Mutter	Nut	
37	1	1134-4130-01	Undre Lock (1-00)	Cover Lower	
38	4	9840-8013-16	Skruv	Screw	
39	4	9699-0099-02	Bricka	Washer	
40	2	9897-0880-12	Skruv	Screw	
41	2	1134-1565-08	Distans	Spacer	
42	4	9897-0820-16	Skruv	Screw	
43	6	112155000/0	Mutter	Nut	
44	1	118203854/0	Lock	Cap	



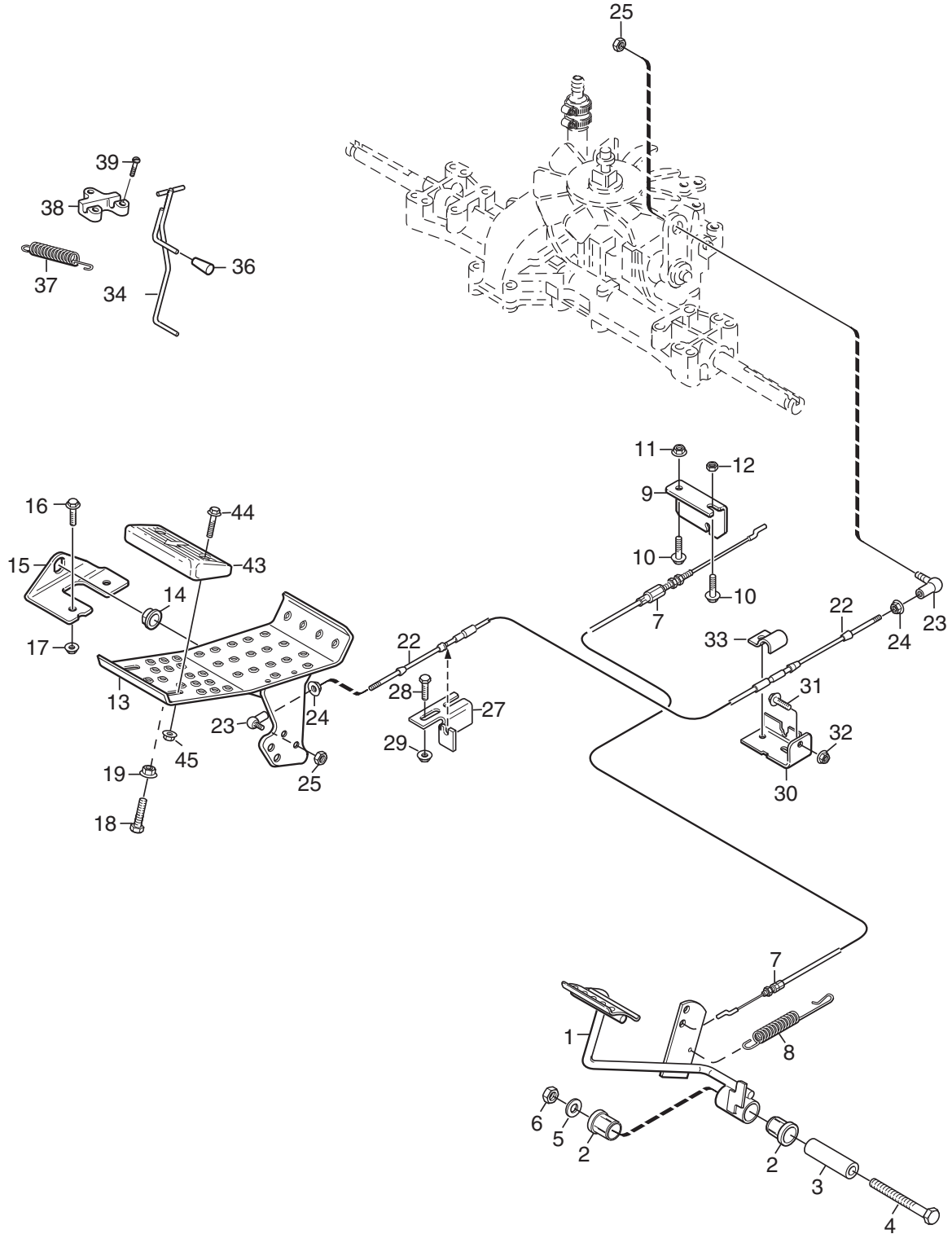
Utgåva Issue 18 - 2016		Styrning Steering			
Pos. Fig.	Antal Q.ty	Art nr Part No	Benämning	Description	Anmärkning Notes
1	1	1134-6374-10	Kedja	Chain	129 links
2	2	1134-6374-09	Kedja	Chain	35 links
3	1	1134-6374-02	Kedja	Chain	41 links
4	1	1134-6374-05	Kedja	Chain	47 links
5	1	1134-3550-01	Ändnippel (L110)	End Nipple	L = 110 mm
6	4	1134-3565-01	Skarvnippel	Connection Nipple	
7	12	1134-2824-01	Kedjelas	Chain Lock	
8	2	1134-5652-01	Fäste	Attachment	
9	4	1134-5651-01	Fäste	Bracket	
10	2	1134-2816-01	Kedjehjul	Sprocket	
11	2	1134-0041-02	Bussning	Bushing	
12	2	1134-4817-01	Stift	Pin	
13	2	9699-0035-02	Bricka	Washer	
14	2	9599-0054-02	SaxSprint	Split Pin	
15	1	1134-3550-02	Ändnippel (L90)	End Nipple	L = 90 mm
16	2	9699-0090-02	Bricka	Washer	
17	2	112155000/0	Mutter	Nut	
18	4	1134-2816-01	Kedjehjul	Sprocket	
19	4	1134-5653-01	Distans	Spacer	
20	2	112521360/0	Bricka	Washer	
21	2	112692395/1	Skruv	Screw	
22	2	9739-1031-22	Mutter	Nut	
23	2	9897-1060-12	Skruv	Screw	
24	2	9731-1031-22	Mutter	Nut	
25	3	1134-3547-01	Kedjehjul	Sprocket	
26	2	1134-0041-01	Bussning	Bushing	
27	2	1134-0046-00	Wireklämma	Wire Clamp	
28	2	9997-1040-16	Skruv	Screw	
29	2	9699-0035-02	Bricka	Washer	
30	2	9739-1031-22	Mutter	Nut	
31	1	387785243/0	Rattstang Skydd	Steering Column Cover	
32	4	9897-0820-16	Skruv	Screw	
33	4	112154220/0	Mutter	Nut	
34	1	387520113/0	Rattrör Nedre	Steering Column,Lower	
35	2	1134-1901-01	Lager	Bearing	
36	1	1137-0120-02	Rattstang Kpl	Steering Rod Assy	
37	1	1134-3817-01	Fjäder	Spring	L = 58 mm
38	1	1134-3817-02	Fjäder	Spring	L = 33 mm
39	1	337670201/0	Bricka	Washer	
41	2	9893-0616-16	Skruv	Screw	
42	1	1134-2837-03	Distans	Spacer	
47	1	387520101/1	Rattstång	Steering Column	
48	1	112620299/0	Spännstift	Elastic Pin	
49	1	112583500/0	Lasbricka	Grower	
50	1	112793102/0	Skruv	Screw	
51	1	337580550/0	Styrplåt Kpl	Steering Plate	
52	1	337961200/0	Ratt	Steering wheel	Incl. pos 51, 53
53	1	187593701/0	Knopp	Knob	
63	1	387520119/0	Rattrör Nedre	Steering Column,Lower	Incl. pos. 64-65



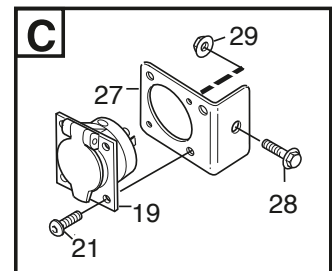
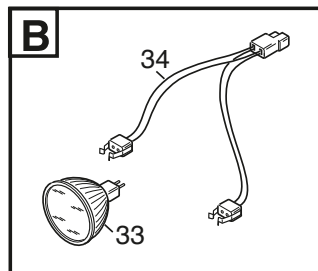
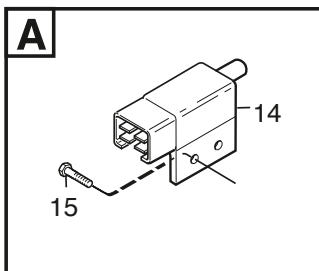
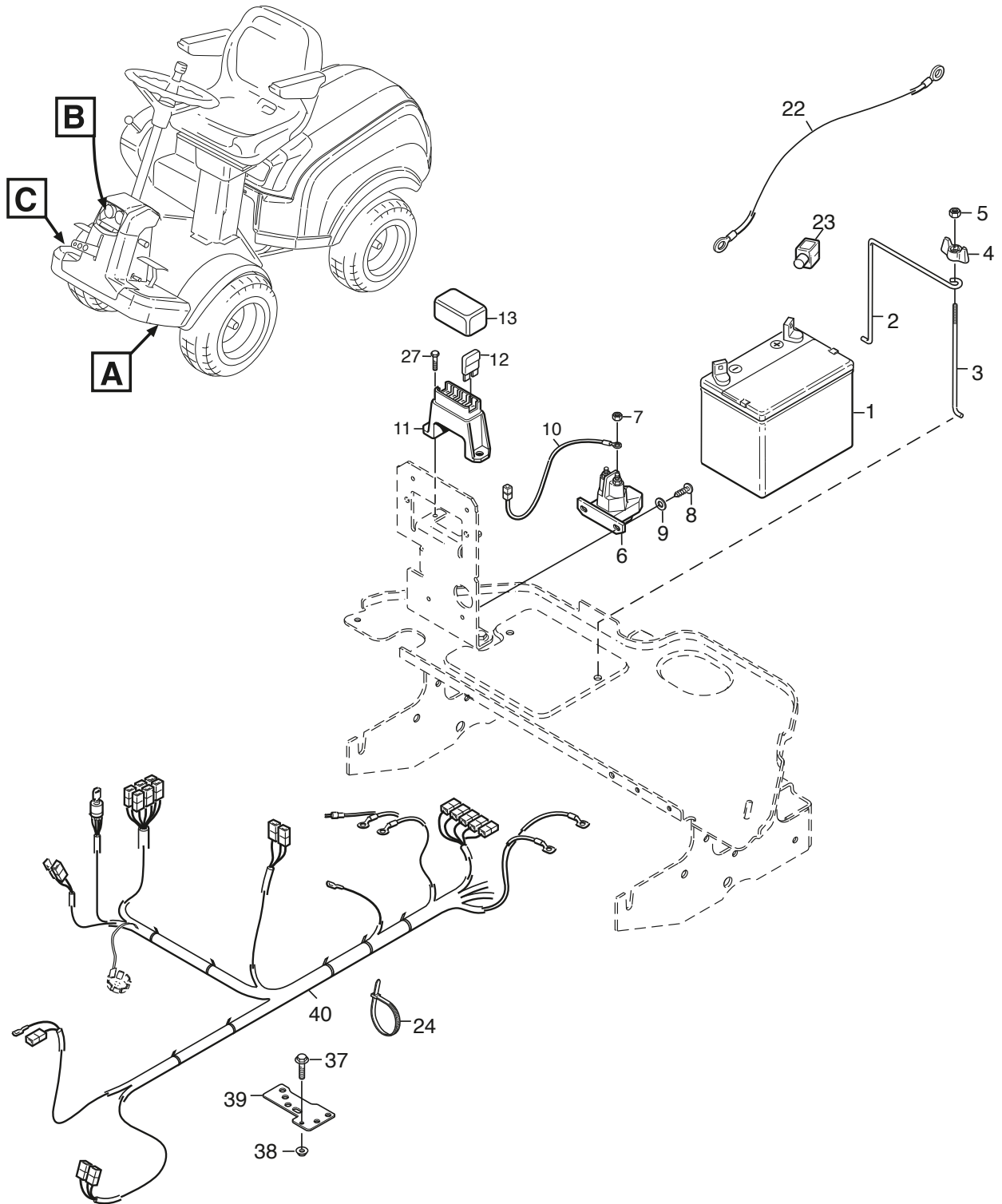
Utgåva Issue 18 - 2016		Styrning Steering			
Pos. Fig.	Antal Q.ty	Art nr Part No	Benämning	Description	Anmärkning Notes
64	1	1134-5177-01	Slid	Slide	
65	1	9710-0631-12	Lasmutter	Nut	
66	1	1134-4481-02	Vingmutter	Wing Nut	
67	1	337394201/0	Vingmutter	Wing Nut	
70	1	1134-6380-03	Styrkedja Fz Mek. Servo K/K, L/K Sm	Steering Chain Assy	Incl. pos 1-14



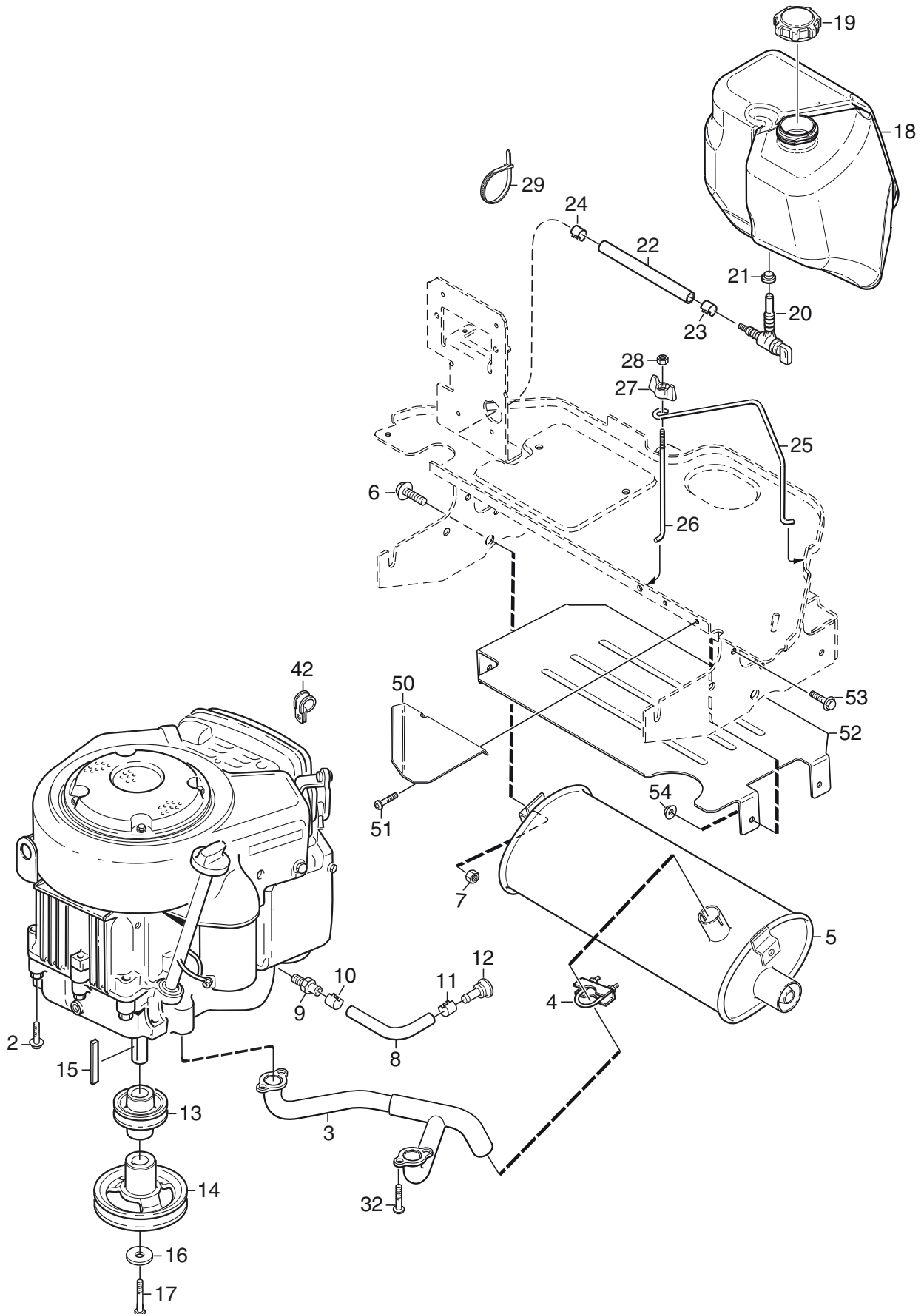
Utgåva Issue 18 - 2016		Handreglage		Hand controls	
Pos. Fig.	Antal Q.ty	Art nr Part No	Benämning	Description	Anmärkning Notes
1	1	1134-4156-01	Vinkelhallare Kpl 24	Panel Bracket-Inner	
2	2	9897-0820-16	Skruv	Screw	
3	2	112154220/0	Mutter	Nut	
4	1	9695-0011-00	Bricka	Washer	
5	1	1134-4065-01	Reglageaxel	Control Shaft	
6	1	1134-4079-01	Fjäder	Spring	
7	1	1134-4080-03	Reglagehylsa	Control Sleeve	
8	2	9959-0820-16	Skruv	Screw	
9	1	1134-4077-02	Arm	Lever	
10	1	1134-4078-01	Knopp	Knob	
11	1	1134-0240-00	Skruv	Screw	
12	2	1134-4242-01	Distansbricka	Washer	
13	1	9665-0002-00	Bricka	Washer	
14	1	112155000/0	Mutter	Nut	
15	1	1137-0063-03	Gasreglage	Throttle Cable	L1 = 1413 mm
16	1	1137-0115-01	Wireklämma	Wire Clamp	
17	1	9943-0516-16	Skruv	Screw	
18	1	1134-4072-01	Aggregatpak Kpl	Control Lever	
19	1	1134-2551-01	Knopp	Knob	
20	1	1134-3573-03	Kraftuttagwire	Pto Cable	
21	1	1134-5358-01	Brytarfäste	Switch Bracket	
22	2	9852-8013-16	Skruv	Screw	
23	1	9400-0360-01	Mikrobrytare	Microswitch	
24	2	9840-7716-16	Skruv	Screw	L = 16 mm
25	1	1134-6328-01	Frontfäste 5-01	Panel Bracket-Front	
26	2	9893-0616-16	Skruv	Screw	
27	1	1134-6327-01	Frontplat5-01	Front Plate	
28	4	9893-0616-16	Skruv	Screw	
32	1	1134-6096-02	Kassett	Dashboard	Only for models with Vanguard 18
33	4	9946-0525-16	Skruv	Screw	
34	1	1134-4154-01	Täckbricka	Cover	
35	5	1134-4129-01	Täckbricka	Cover	
35	6	1134-4129-01	Täckbricka	Cover	
36	1	1134-4093-01	Tändningslas	Ignition Switch	
39	1	1134-4749-01	Mutter	Nut	
40	1	1137-0062-03	Chokereglage Kpl	Choke Control	Incl. pos.41 - Only for models with Vanguard 18
41	1	1134-4338-01	Reglageknopp	Control Button-Choke	Only for models with Vanguard 18
42	1	9400-0282-01	Brytare (Med Diod)	Switch	
44	1	9400-0384-01	Timräknare	Hour Meter	
46	1	9699-0090-02	Bricka	Washer	Only for models with Vanguard 18
49	1	9400-0280-03	Vippa Höjdinst	Switch Cover-Height Adjust	
99	1	9400-0290-01	Verktyg F.Vippa	Tool	Tillbehör/Accessory



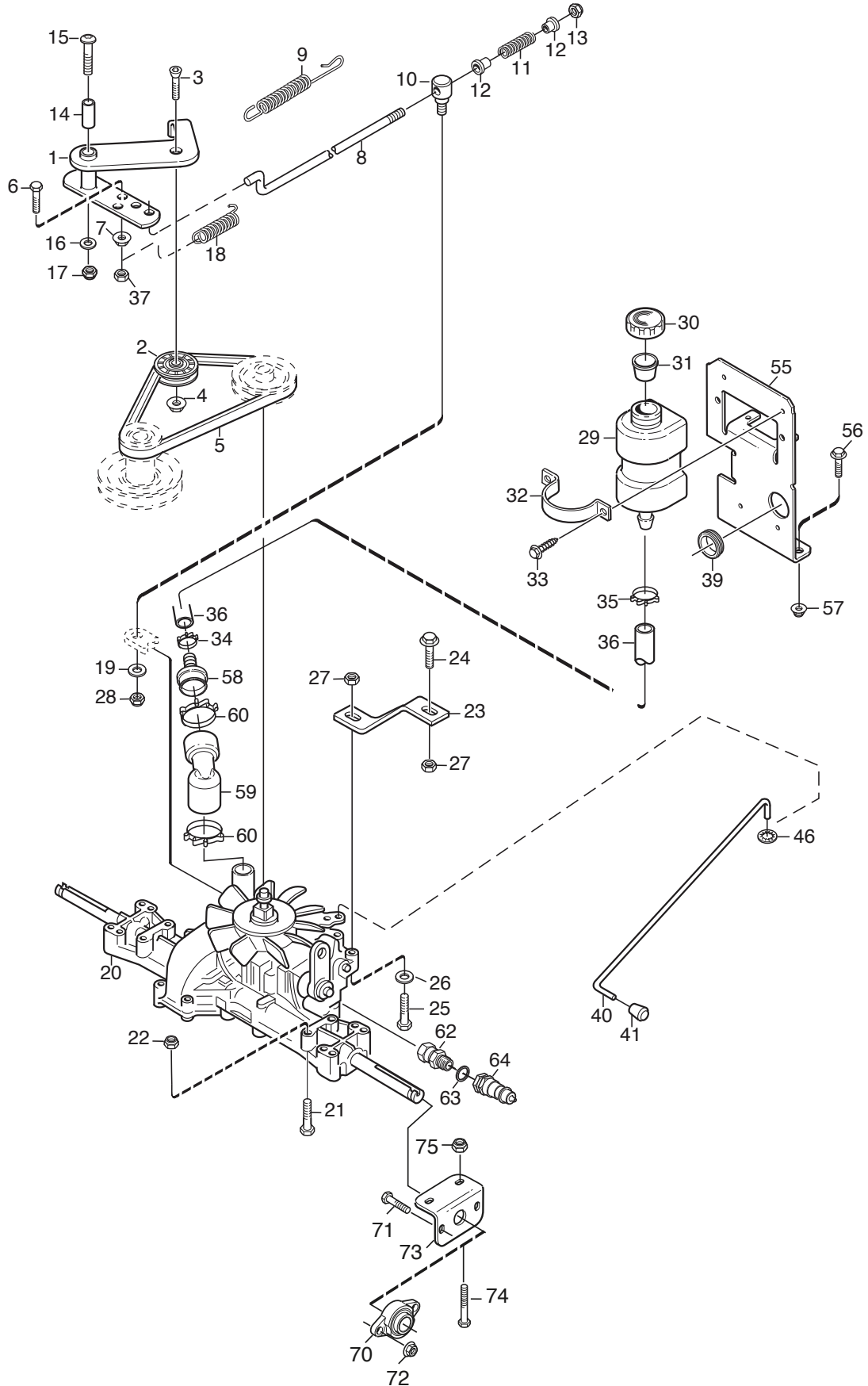
Utgåva Issue 18 - 2016		Fotreglage Foot controls			
Pos. Fig.	Antal Q.ty	Art nr Part No	Benämning	Description	Anmärkning Notes
1	1	1134-5655-01	Kopplingspedal Kpl	Clutch Pedal	
2	1	1134-9024-01	Lager (4 St)	Bearing	Sats 4 st/kit of 4
3	1	1134-5677-02	Distans	Spacer	
4	1	9997-1070-12	Skruv	Screw	
5	1	9699-0030-02	Bricka	Washer	
6	1	9739-1031-22	Mutter	Nut	
7	1	1134-6005-01	Reglagewire	Control Cable	
8	1	4231-0013-00	Fjäder	Spring	
9	1	1134-6467-01	Wirefäste	Cable Holder	
10	2	9959-0820-16	Skruv	Screw	
11	1	112154220/0	Mutter	Nut	
12	1	112155000/0	Mutter	Nut	
13	1	1134-6353-01	Drivpedal	Drive Pedal	
14	2	1134-6313-01	Lager	Bearing	
15	2	1134-2700-01	Fäste	Bracket	
16	2	9959-0820-16	Skruv	Screw	
17	2	112154220/0	Mutter	Nut	
18	1	9997-0835-16	Skruv	Screw	
19	1	112154220/0	Mutter	Nut	
22	1	1134-2766-05	Reglagevajer	Speed Control Cable	
23	2	9570-0001-00	Vinkellänk As8 Din 71802M5	Elbow Link	
24	2	9739-0531-22	Mutter	Nut	
25	2	112154330/0	Mutter	Nut	
27	1	1134-6317-01	Wirefäste	Wire Bracket	
28	2	9959-0620-16	Skruv	Screw	
29	2	9739-0631-22	Mutter	Nut	
30	1	1134-3395-01	Fäste 24 (5-01)	Attachment	
31	2	9959-0820-16	Skruv	Screw	
32	2	112154220/0	Mutter	Nut	
33	1	1134-2021-01	Växelwirefäste	Clamp	
34	1	1134-5353-01	Bromsstang	Brake Rod	
36	1	1134-2786-01	Knopp	Knob	
37	1	1131-1497-01	Fjäder	Brake Spring	
38	1	1134-4002-01	Fäste	Brake Rod Attachment	
39	3	112728697/0	Skruv	Screw	
43	2	1134-6340-02	Fotstöd (5-01)	Foot Rest	
44	4	9959-0620-16	Skruv	Screw	
45	4	9739-0631-22	Mutter	Nut	



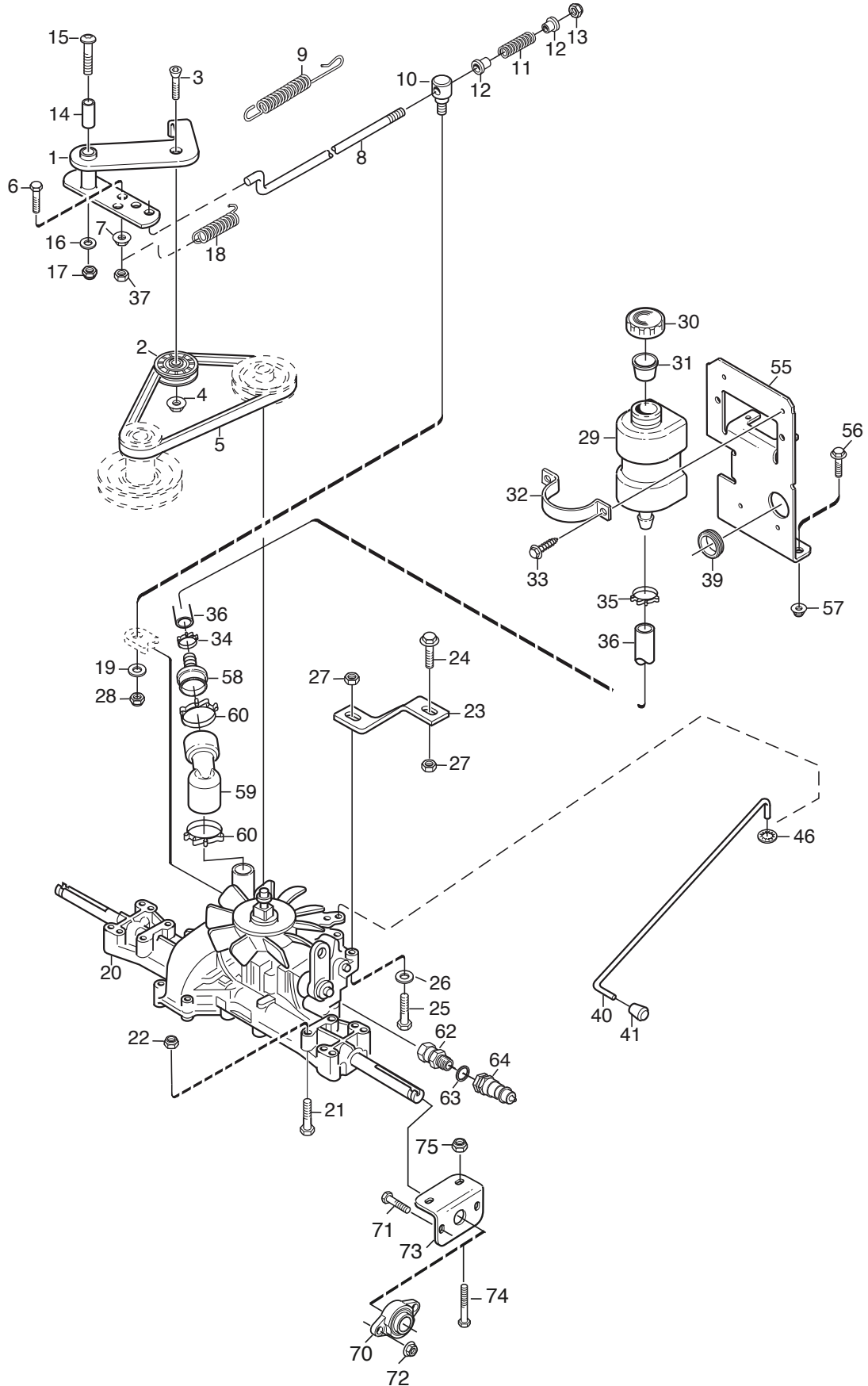
Utgåva Issue 18 - 2016		Elsystem Electrical Parts			
Pos. Fig.	Antal Q.ty	Art nr Part No	Benämning	Description	Anmärkning Notes
1	1	1134-5751-01	Batteri	Battery	
2	1	1134-5994-01	Batteribyggel	Battery Loop	
3	1	1134-5995-01	Batteribyggel	Battery Loop	
4	1	1134-4481-02	Vingmutter	Wing Nut	
5	1	112154510/0	Mutter	Nut	
6	1	118736112/0	Solenoid Kpl Service	Solenoid	Only for models with Vanguard 18, Incl. pos 7
7	2	9743-5121-32	Mutter	Nut	
8	2	9852-8013-16	Skruv	Screw	
9	2	9699-0060-02	Bricka	Washer	
10	1	1134-4970-02	Kabel	Cable	
11	1	1134-3491-01	Säkringshallare	Fuse Holder	
12	1	1134-3496-07	Säkring (30A Grön)	Fuse (30A)	30A
12	1	1134-3496-01	Säkring 10A Röd	Fuse (10A) Red	10A
12	1	1134-3496-06	Säkring 20A Gul	Fuse (20A) Yellow	20A
13	1	1134-3631-01	Lock (5-01)	Cover-Fuse Holder	
14	1	1134-3399-02	Brytare	Switch	For Petrol models
15	2	9943-0516-16	Skruv	Screw	
19	1	1134-7535-01	Honkontakt	Female Connector	
21	2	112735105/0	Skruv	Screw	
22	1	1134-0234-02	Batterikabel (+)	Battery Cable (+)	For Petrol models
23	1	1134-2310-01	Batteriskydd	Guard Cap (+)	For Petrol models
24	5	133320027/0	Bunband	Cable	
24	2	9579-0018-01	Buntband L390	Cable	L=390
27	1	1137-0075-01	Fäste	Attachment 2010	
28	1	9959-0820-16	Skruv	Screw	
29	1	112154220/0	Mutter	Nut	
33	2	9400-0358-01	Led-Lampa	Led-Lamp	
34	1	1134-7505-01	Kabelhärva	Wiring harness	
37	1	9959-0612-16	Skruv	Screw	Only for models with Vanguard 18
38	1	9739-0631-22	Mutter	Nut	Only for models with Vanguard 18
39	1	1134-6454-01	Jordplat	Ground Plate	Only for models with Vanguard 18
40	1	187040310/0	Kabelhärva	Wiring harness	For Petrol models



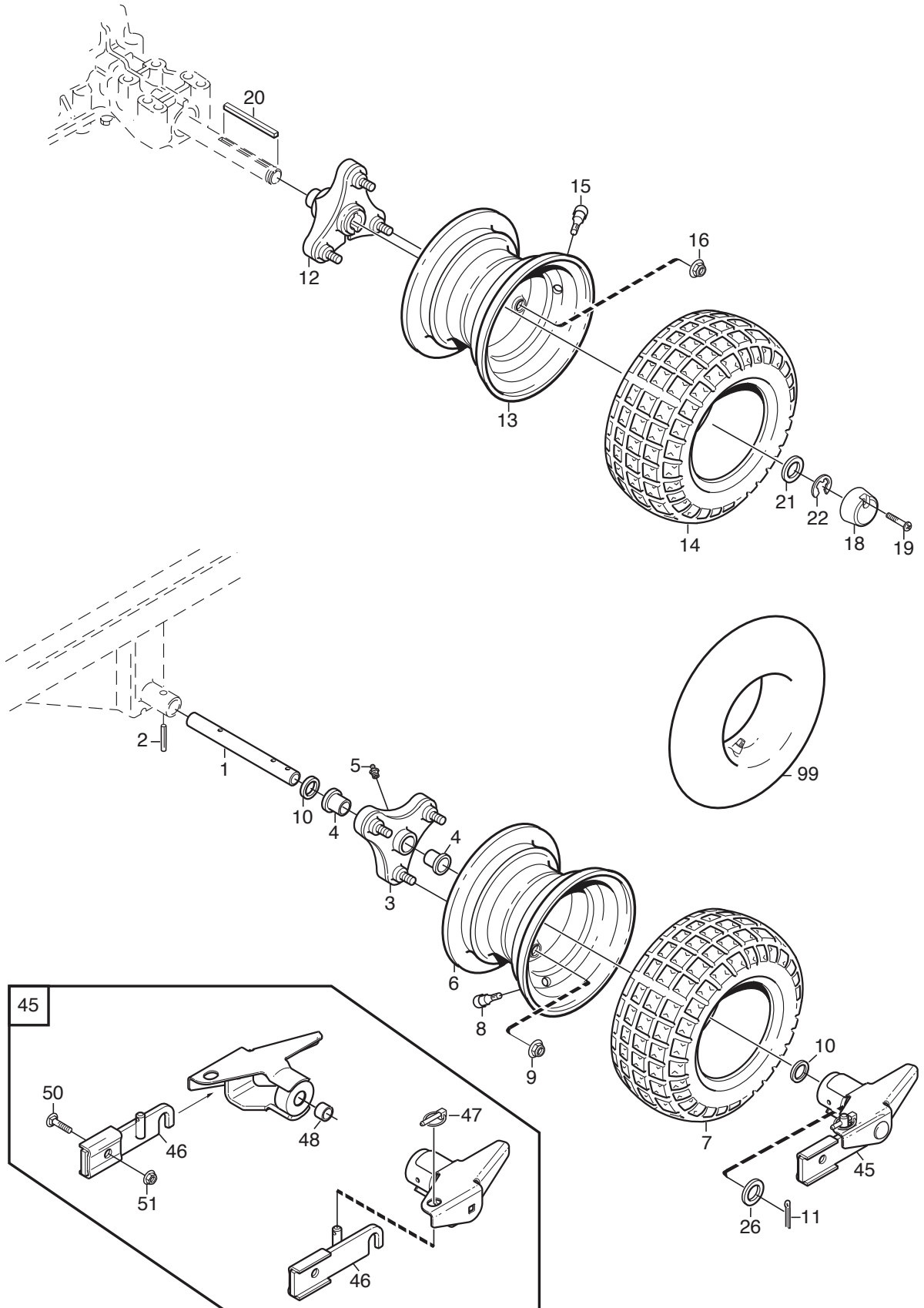
Utgåva Issue 18 - 2016		Motor	Engine		
Pos. Fig.	Antal Q.ty	Art nr Part No	Benämning	Description	Anmärkning Notes
2	4	9955-3725-16	Skruv	Screw	
3	1	1134-6339-01	Grenrör	Exhaust Pipe	
4	1	9578-0011-01	Rörklämma 38	Tube Clamp	
5	1	1134-6024-01	Ljuddämpare Kpl	Muffler Assy	
6	1	9959-0820-16	Skruv	Screw	
7	1	112154220/0	Mutter	Nut	
8	1	1134-5827-04	Oljeavtappning Kpl	Oil Drain Assy	Incl. pos 9 - 12
9	1	1134-5825-01	Nippel	Nipple	
10	1	9578-0023-04	Slangklämma 15*8 (Vit)	Hose Clamp	
11	1	1134-3499-02	Slangklämma	Hose Clamp	
12	1	1134-5826-01	Plugg	Plug	
13	1	1137-0206-01	Motorremskiva	Engine Belt Pulley	
14	1	1137-0208-01	Motorremskiva	Engine Pulley	
15	1	9600-0251-01	Kil	Key	
16	1	1134-5017-02	Bricka	Washer	
17	1	9987-5332-16	Skruv	Screw	
18	1	1134-5938-01	Bränsletank	Fuel Tank	
19	1	1134-5532-01	Tanklock	Fuel Tank Cap	
20	1	1134-3224-01	Bensinkran	Fuel Shut-Off Valve	
21	1	1134-3225-01	Gummibussning	Grommet	
22	1	1134-2975-13	Bensinslang	Fuel Tube	Cutting length 1,1 mt
23	1	9578-0023-02	Slangklämma D12*8 (Svart)	Hose Clamp	
24	1	9578-0023-02	Slangklämma D12*8 (Svart)	Hose Clamp	
25	1	1134-5942-01	Tankbygel	Tank Loop	
26	1	1134-5996-01	Tankbygel	Tank Loop	
27	1	1134-4481-02	Vingmutter	Wing Nut	
28	1	112154510/0	Mutter	Nut	
29	1	133320027/0	Bunband	Cable	
30	1	9852-8013-16	Skruv	Screw	
32	4	1134-4930-01	Skruv	Screw	
42	1	1134-0994-02	Rörklammer	Tube Clamp	
50	1	1134-6234-01	Deflektor	Heat Deflector	
51	2	9943-0516-16	Skruv	Screw	
52	1	1134-6251-01	Deflektor	Heat Deflector	
53	4	9959-0612-16	Skruv	Screw	
54	4	9739-0631-22	Mutter	Nut	



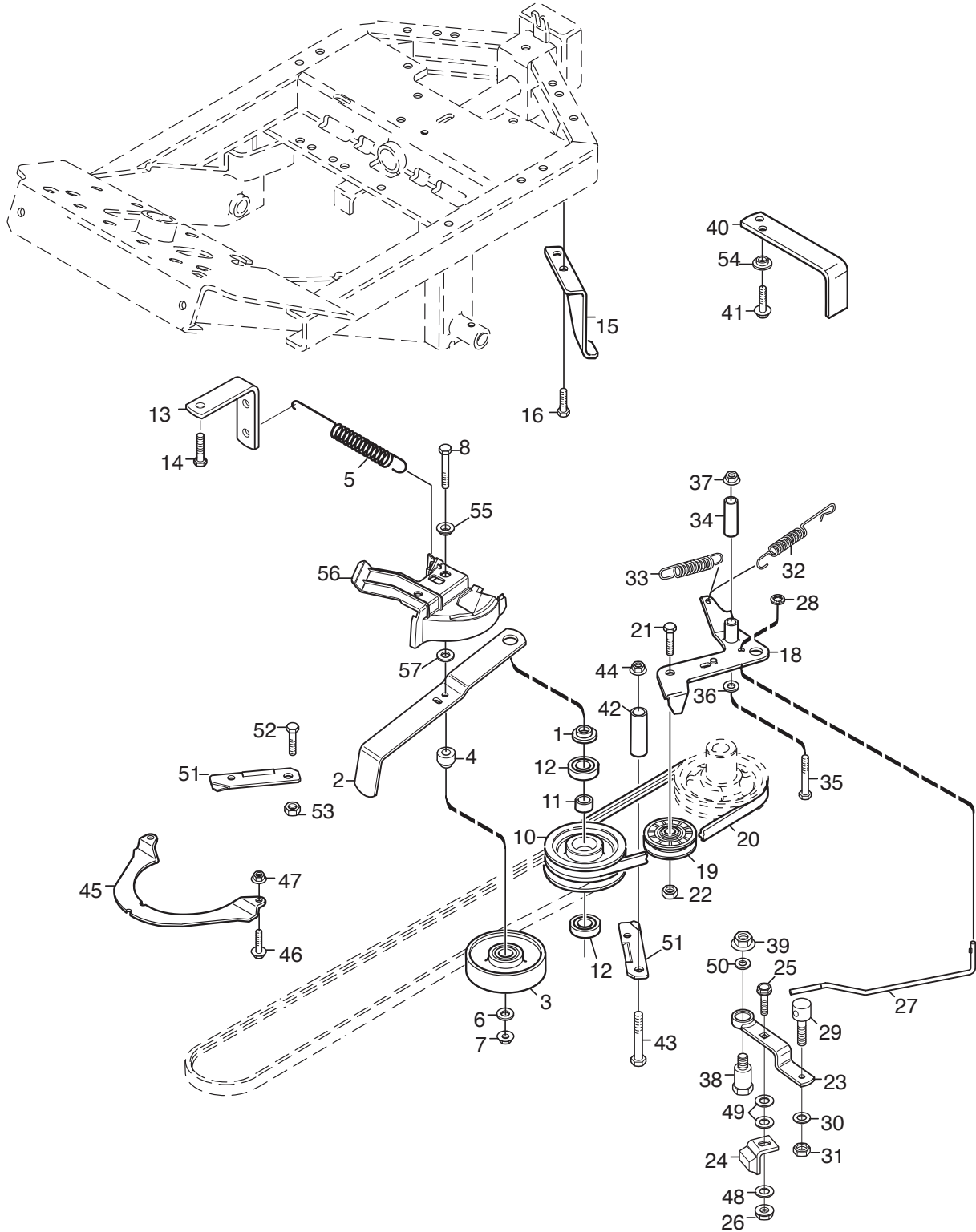
Utgåva Issue 18 - 2016		Transaxel		Transmission	
Pos. Fig.	Antal Q.ty	Art nr Part No	Benämning	Description	Anmärkning Notes
1	1	1134-4000-02	Spännarm Kpl 15	Tension Arm	
2	1	1134-3459-01	Spännrulle	Tension Roller	
3	1	9924-1035-16	Skruv	Screw	
4	1	112295200/0	Mutter	Nut	
5	1	1134-9058-01	Kilrem	V-Belt	9585-0091-01
6	1	112791500/0	Skruv	Screw	
7	1	9739-0631-22	Mutter	Nut	
8	1	1134-3377-02	Reglagestang	Control Rod	
9	1	4231-0013-00	Fjäder	Spring	
10	1	1134-4171-01	Ledtapp	Pivot Pin	
11	1	1134-4183-01	Fjäder	Spring	
12	2	1134-3456-01	Bussning	Bushing	
13	1	112154510/0	Mutter	Nut	
14	1	1134-1565-08	Distans	Spacer	
15	1	9930-0870-16			
16	1	112523060/0	Bricka	Washer	
17	1	112155000/0	Mutter	Nut	
18	1	1134-6414-01	Fjäder	Spring	
19	1	9699-0060-02	Bricka	Washer	
20	1	1137-0126-01	Transaxel K57V	Transaxle K57V	Kanzaki K57V
21	4	9960-0860-12	Skruv	Screw	L = 60 mm
22	4	112155000/0	Mutter	Nut	
23	1	1134-3913-01	Reaktionsstag 5-01 F24	Strut	
24	1	9959-0825-16	Skruv	Screw	
25	1	112691200/0	Skruv	Screw	
26	1	9699-0090-02	Bricka	Washer	
27	2	112155000/0	Mutter	Nut	
28	1	112154510/0	Mutter	Nut	
29	1	1134-2765-02	Oljetank	Oil Tank	
30	1	1134-2777-02	Tanklock	Filler Cap	
31	1	1134-3734-01	Plugg (Service)	Vent Plug	
32	1	1134-2778-01	Fästband5-01	Band	
33	2	9852-8013-16	Skruv	Screw	
35	1	9578-0023-04	Slangklämma 15*8 (Vit)	Hose Clamp	15 x 8
35	1	9578-0036-01	Slangklämma	Hose Clamp	
36	1	1134-2779-09	Slang	Tube	L = 290 mm
37	1	112154510/0	Mutter	Nut	
39	1	1134-3203-01	Kabelgenomföring	Grommet	
40	1	1134-4015-01	Dragstang	Pull Rod	
41	1	1134-4014-01	Plastknopp	Knob	
46	1	112604896/0	Starlock P6493 6	Crown Fastener	
55	1	1134-5941-01	Tankkonsol 5-01	Tank Bracket	
56	2	9959-0820-16	Skruv	Screw	
57	2	112154220/0	Mutter	Nut	
58	1	1134-6051-01	Slangnippel	Hose Nipple	
59	1	1134-6050-01	Böj	Elbow	
60	2	9578-0023-06	Slangklämma 25/8	Hose Clamp	
62	1	1134-7245-01	Adapter-Rak Stb R1/4"-R3/8"	Hydraulic Coupling-Straight	
63	1	1134-4948-01	Bricka	Washer	



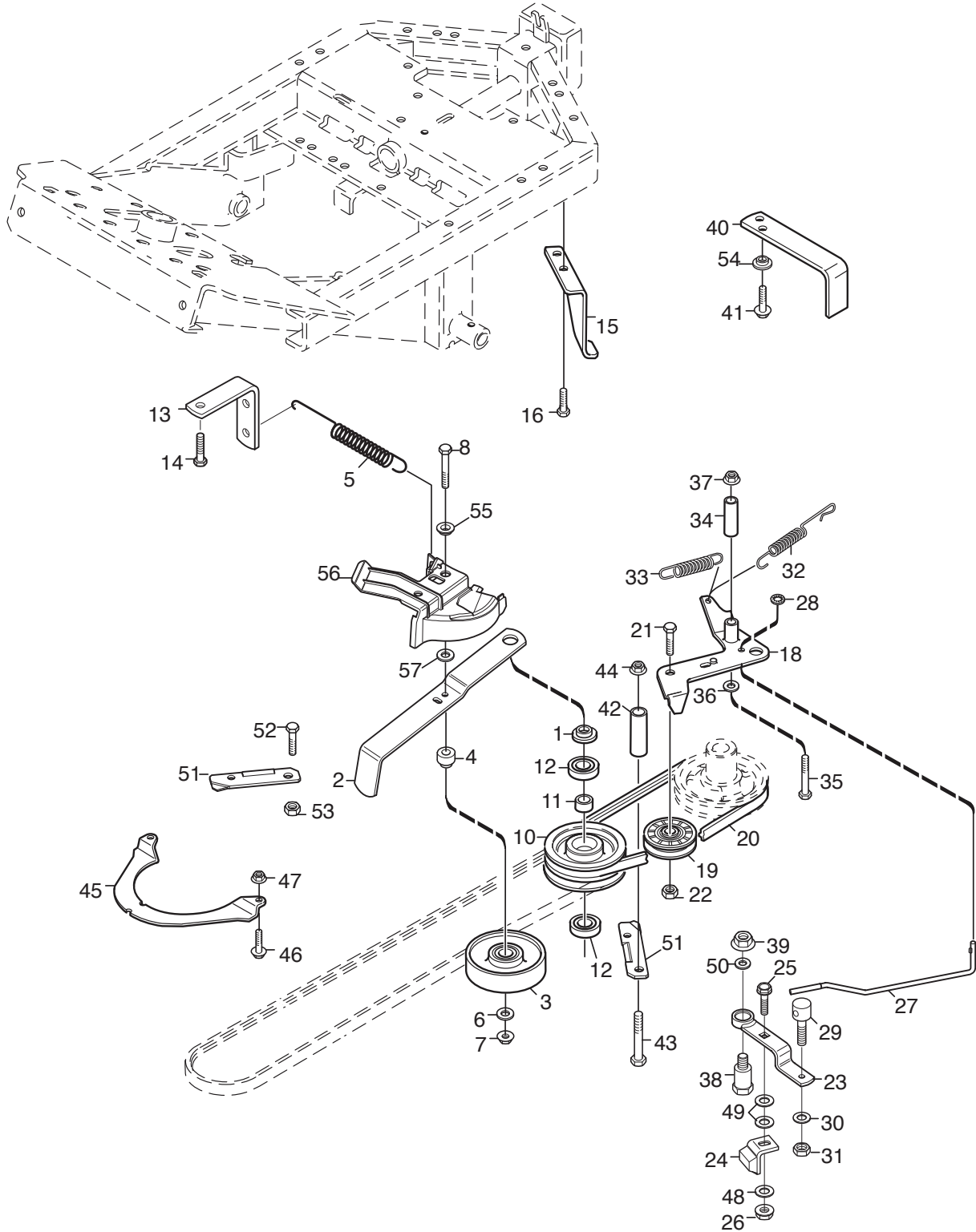
Utgåva Issue 18 - 2016		Transaxel Transmission			
Pos. Fig.	Antal Q.ty	Art nr Part No	Benämning	Description	Anmärkning Notes
64	1	1134-6042-01	Snabbkoppling-Hane 1/4"	Quick Coupling-Male	
70	2	1137-1122-01	Flänslagerenhet	Flange Bearing Unit	
71	4	112793301/0	Skruv	Screw	
72	4	112154220/0	Mutter	Nut	
73	2	1137-1123-01	Fäste	Bracket	
74	4	9960-0860-12	Skruv	Screw	
75	4	112155000/0	Mutter	Nut	



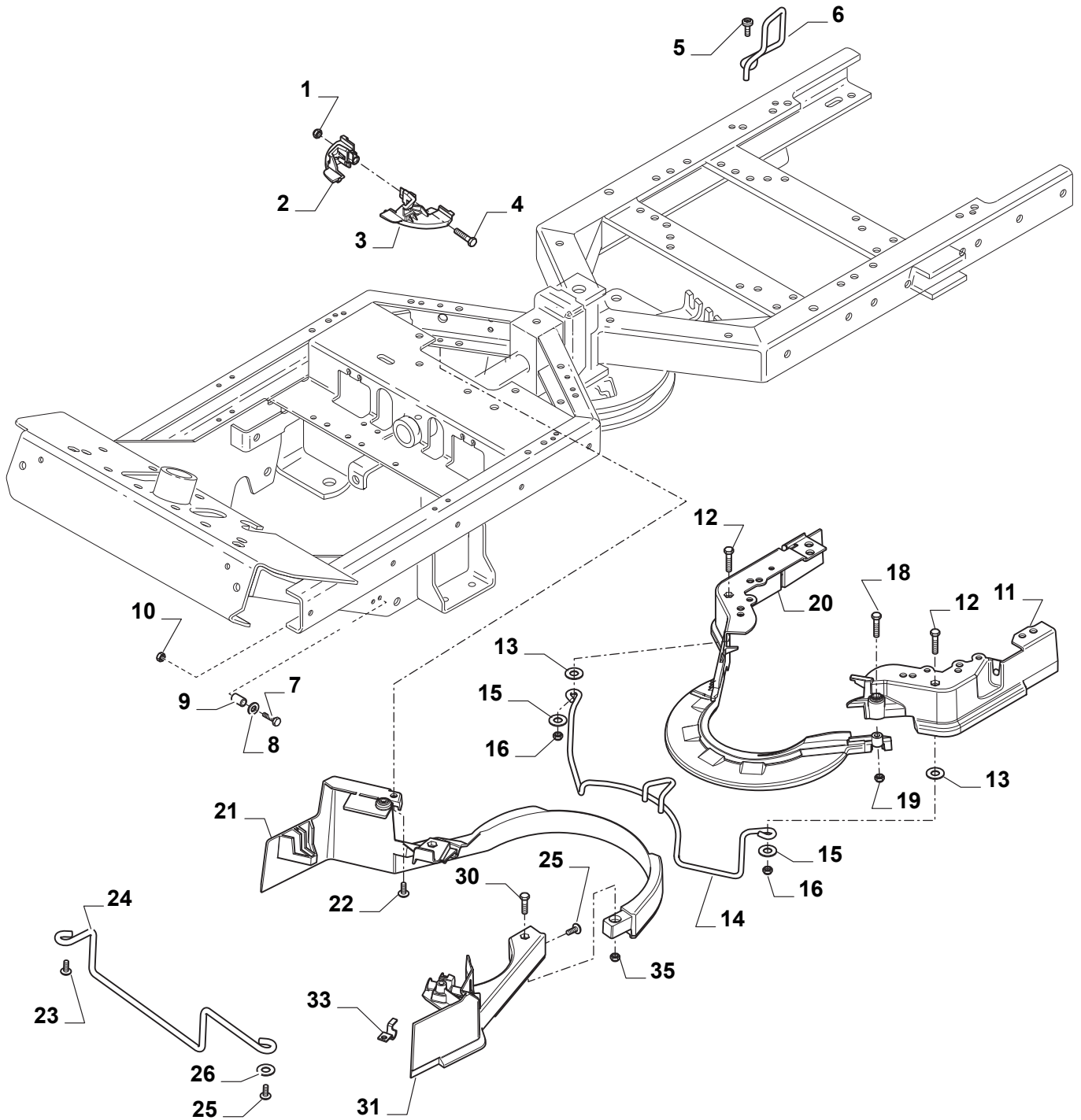
Utgåva Issue 18 - 2016		Hjul Wheels			
Pos. Fig.	Antal Q.ty	Art nr Part No	Benämning	Description	Anmärkning Notes
1	2	1134-0075-00	Framaxeltapp	Front Axle	
2	2	9595-0258-00	Spännstift	Locating Pin	
3	2	1134-4844-05	Hjulnav Kpl	Wheel Hub Assy	Incl. pos. 4-5
4	1	1134-9026-01	Bussning	Bearing	Sats 4 st/kit of 4
5	2	112379511/0	Smörjnippel	Grease Dispenser	
6	2	187000454/0	Fälg	Rim	
7	2	9545-0116-00	Däck	Tyre	16 x 7.50 - 8
8	2	9545-0500-00	Ventil Kpl	Valve Assy.	
9	6	9731-1031-22	Mutter	Nut	
10	4	1134-0341-01	Bricka	Washer	
11	2	9599-0080-02	SaxSprint Sp 4*28	Cotter Pin	
12	2	1134-4844-02	Hjulnav Kpl	Wheel Hub Assy	
13	2	187000454/0	Fälg	Rim	
14	2	9545-0116-00	Däck	Tyre	16 x 7.50 - 8
15	2	9545-0500-00	Ventil Kpl	Valve Assy.	
16	6	9731-1031-22	Mutter	Nut	
18	2	1134-4796-01	Navkapsel	Hub Cap	
19	2	9947-0540-19	Skruv	Screw	
20	2	1134-2471-01	Kil	Key	
21	2	1134-0341-01	Bricka	Washer	
22	2	9653-0001-04	Sparryttare Rs	Lock Ring	
26	2	1134-0341-01	Bricka	Washer	
45	1	13-0992-61	Rac Snabbfäste 2Wd Park	Rac Quick Connection 2Wd	Incl. pos 9-10-46-47-48-49-50-51
46	1	1134-7465-01	Sats-Fästen (Vä+Hö Inkl Skruv)	Attachment Kit	Incl. pos 50-51
47	2	1137-0077-01	Lassprint	Locking Pin	
48	2	9548-0026-01	Glidlager 20E7X26-20	Bearing	
50	2	9898-1035-16	Skruv	Screw	
51	2	9739-1031-22	Mutter	Nut	
99	4	9545-0203-00	Innerslang	Inner Tube	Reservdel/spare part



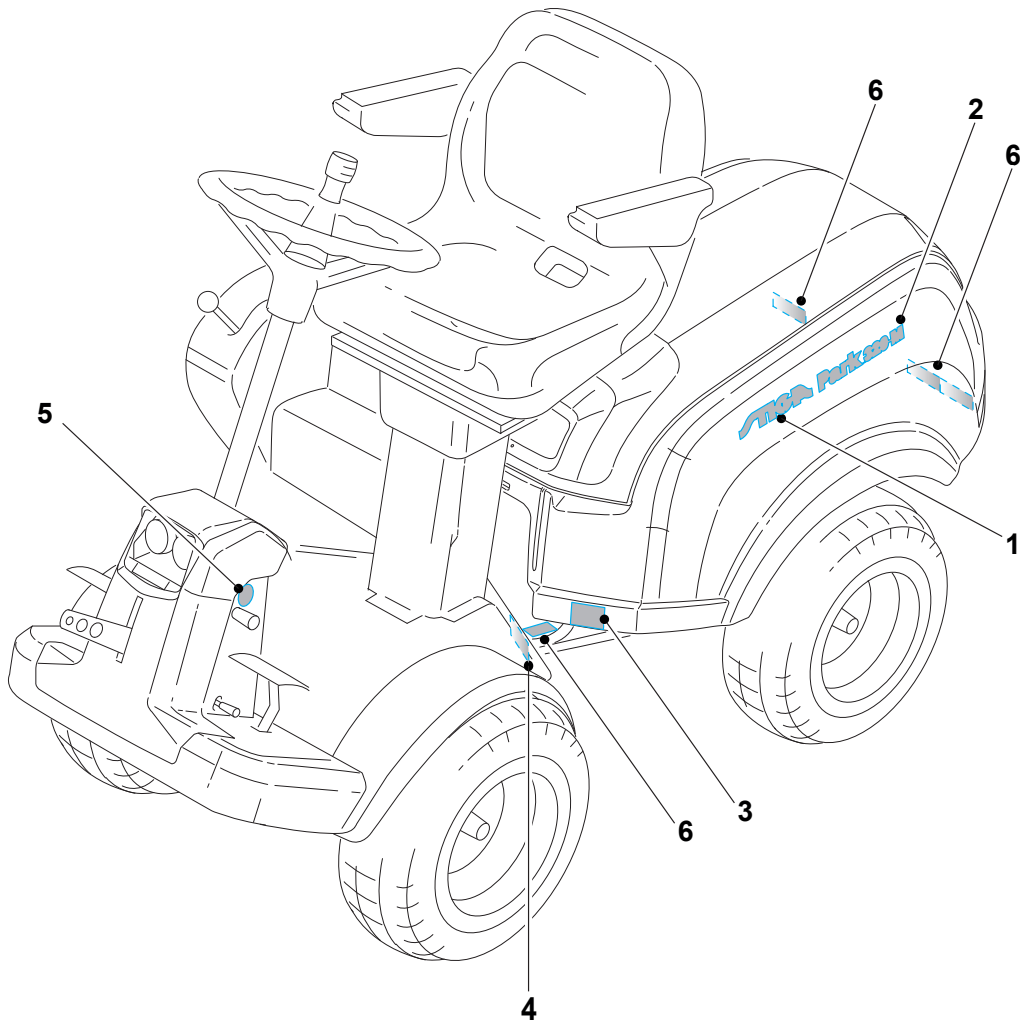
Utgåva Issue 18 - 2016		Kraftuttag Power Take-Off			
Pos. Fig.	Antal Q.ty	Art nr Part No	Benämning	Description	Anmärkning Notes
1	1	1134-5548-01	Distans	Spacer	
2	1	1137-1124-01	Spännhjulsarm	Tension Wheel Arm	
3	1	1137-0128-01	Spännhjul Kpl	Tension Roller Assy	
4	1	1134-1888-04	Distans	Spacer	
5	1	1134-5111-01	Fjäder	Spring	
6	1	112523060/0	Bricka	Washer	
7	1	112154220/0	Mutter	Nut	
8	1	112691900/0	Skruv	Screw	
10	1	1137-0209-01	Centrumremskiva Smst	Centre Belt Pulley	
11	1	1134-0051-09	Distans	Spacer	
12	2	9549-0019-00	Kullager	Ball Bearing	
13	1	1134-5112-01	Fjäder	Spring	
14	2	9945-0816-16	Skruv	Screw	
15	1	1134-5110-02	Hake	Hook	
16	2	9893-0616-16	Skruv	Screw	
18	1	1134-2018-02	Spännarm Kpl 5-01 24	Tension Arm	
19	1	1134-9027-01	Spännrulle (Svart)	Tension Roller (Black)	
20	1	1134-9173-01	Kilrem	V-Belt	contain belt 9585-0213-01
21	1	112794300/0	Skruv	Screw	
22	1	112295200/0	Mutter	Nut	
23	1	387318251/0	Bromsarm Kpl	Brake Arm	
24	1	1134-4164-03	Bromsklots	Brake Pad	
25	1	112818700/0	Skruv	Screw	
26	1	112155000/0	Mutter	Nut	
27	1	137033100/0	Bromsstang	Brake Rod	
28	1	9675-0008-02	Starlockbricka	Starlock	
29	1	1134-4170-01	Nippel	Nippel	
30	1	112521330/0	Bricka	Washer	
31	1	112154510/0	Mutter	Nut	
32	1	4231-0013-00	Fjäder	Spring	
33	1	1135-3307-01	Fjäder	Spring	
34	1	1134-1565-10	Distans	Spacer	
35	1	112691800/0	Skruv	Screw	
36	1	112523060/0	Bricka	Washer	
37	1	112154220/0	Mutter	Nut	
38	1	1134-4163-02	Ansattsskruv	Shoulder Bolt	
39	1	9739-1031-22	Mutter	Nut	
40	1	1134-3958-01	Remstyrning	Belt Guide	
41	2	9893-0616-16	Skruv	Screw	
42	1	1134-0041-03	Bussning	Bushing	
43	1	112794950/0	Skruv	Screw	
44	1	9739-1031-22	Mutter	Nut	
45	1	1134-3654-01	Fingerskydd 5-01 24	Guard	
46	2	9959-0612-16	Skruv	Screw	
47	2	9739-0631-22	Mutter	Nut	
48	1	9699-0090-02	Bricka	Washer	
49	2	112521360/0	Bricka	Washer	
50	1	337670201/0	Bricka	Washer	



Utgåva Issue 18 - 2016		Kraftuttag Power Take-Off			
Pos. Fig.	Antal Q.ty	Art nr Part No	Benämning	Description	Anmärkning Notes
51	2	337546547/0	Plat	Plate	
52	1	112793102/0	Skruv	Screw	
53	1	112293201/0	Mutter	Nut	
54	2	325160039/0	Distans	Spacer	
55	1	122041980/0	Bussning	Bushing	
56	1	337600000/0	Skydd	Protection	
57	1	112523060/0	Bricka	Washer	

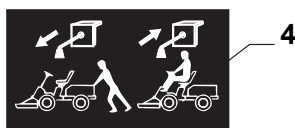


Utgåva Issue 18 - 2016		Remskydd Protection, Belt			
Pos. Fig.	Antal Q.ty	Art nr Part No	Benämning	Description	Anmärkning Notes
1	1	112154510/0	Mutter	Nut	
2	1	337600010/0	Skydd	Protection	
3	1	337600011/0	Skydd	Protection	
4	1	112792099/0	Skruv	Screw	
5	1	9893-0616-16	Skruv	Screw	
6	1	337600015/0	Remskydd	Belt Cover	
7	2	112735669/0	Skruv	Screw	
8	2	112523050/0	Bricka	Washer	
9	2	1134-1565-14	Distans	Spacer	
10	2	112154510/0	Mutter	Nut	
11	1	337060001/1	Remskydd	Belt Cover	
12	2	112792099/0	Skruv	Screw	
13	2	112524010/0	Bricka	Washer	
14	1	337785100/0	Fäste	Support	
15	2	112521330/0	Bricka	Washer	
16	2	112154510/0	Mutter	Nut	
18	1	112791500/0	Skruv	Screw	
19	1	112154510/0	Mutter	Nut	
20	1	337060000/1	Remskydd	Belt Cover	
21	1	337060002/0	Remskydd	Belt Cover	
22	1	9893-0616-16	Skruv	Screw	
23	1	9945-0816-16	Skruv	Screw	
24	1	137294100/0	Remstyrning	Belt Guide	
25	2	9893-0616-16	Skruv	Screw	
26	1	112523050/0	Bricka	Washer	
30	1	112791500/0	Skruv	Screw	
31	1	337060003/0	Remskydd	Belt Cover	
33	1	322545159/0	Plat	Plate	
35	1	112154510/0	Mutter	Nut	

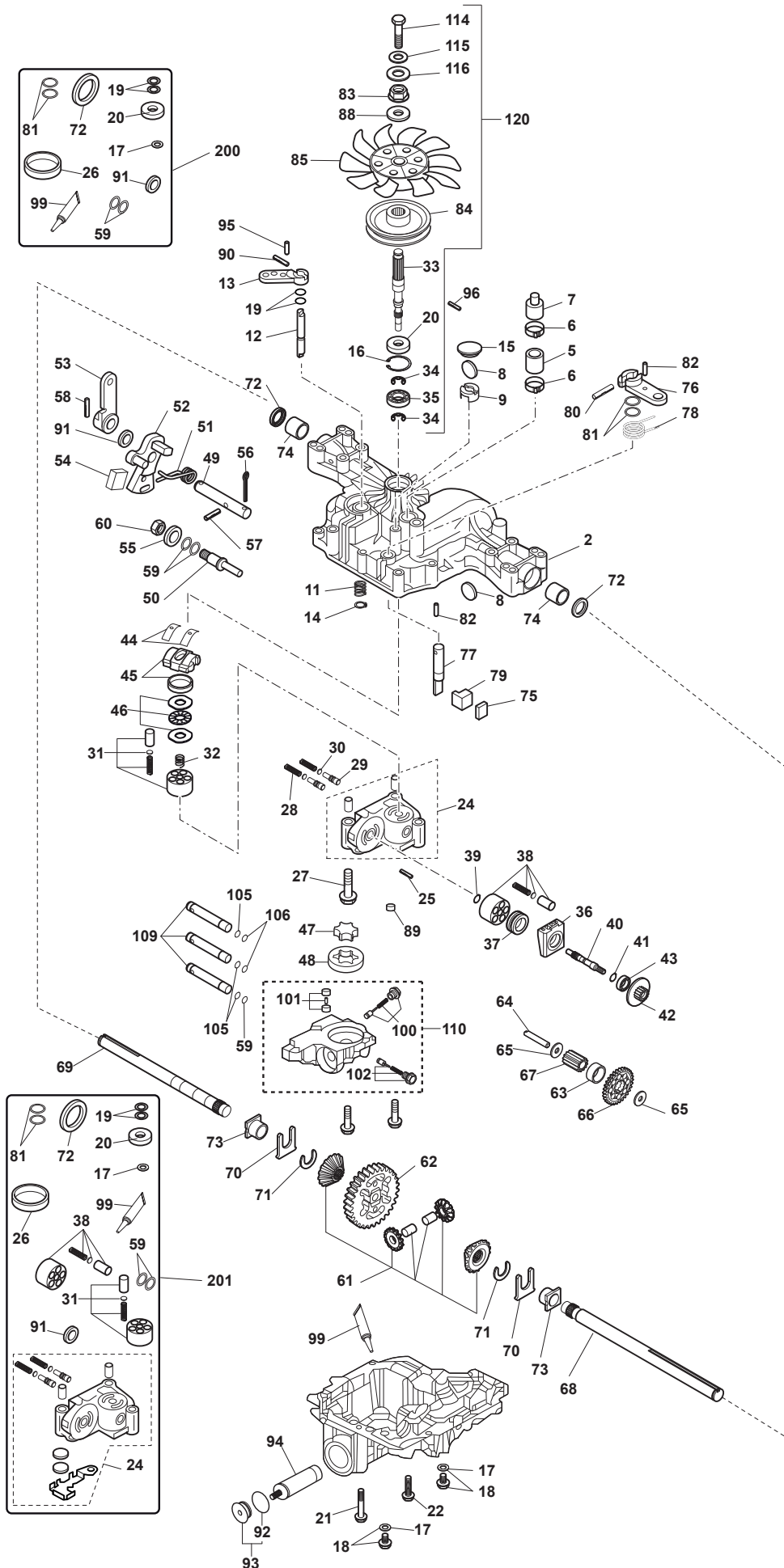


STIGA 1

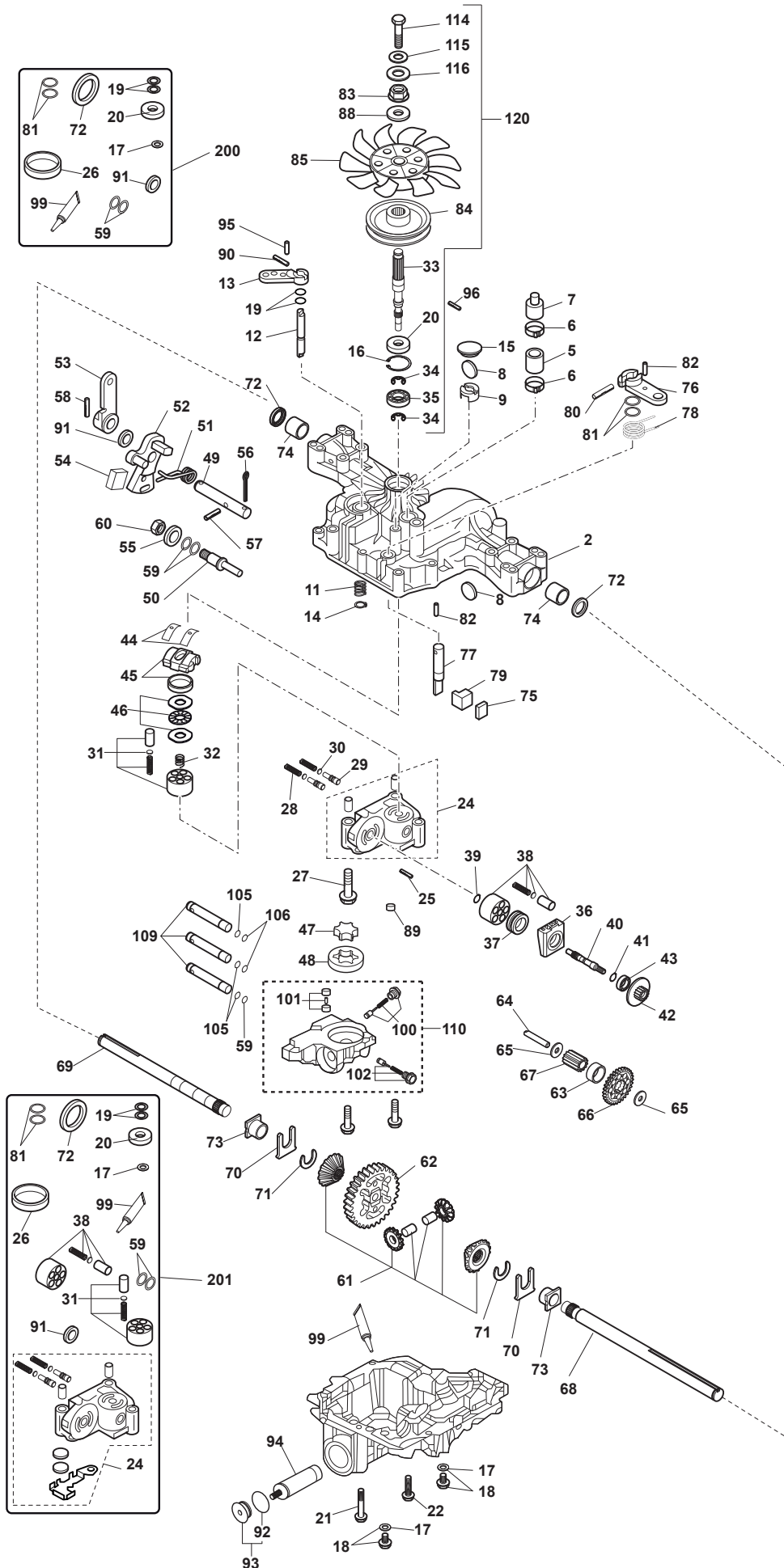
Park 720 DWX 2



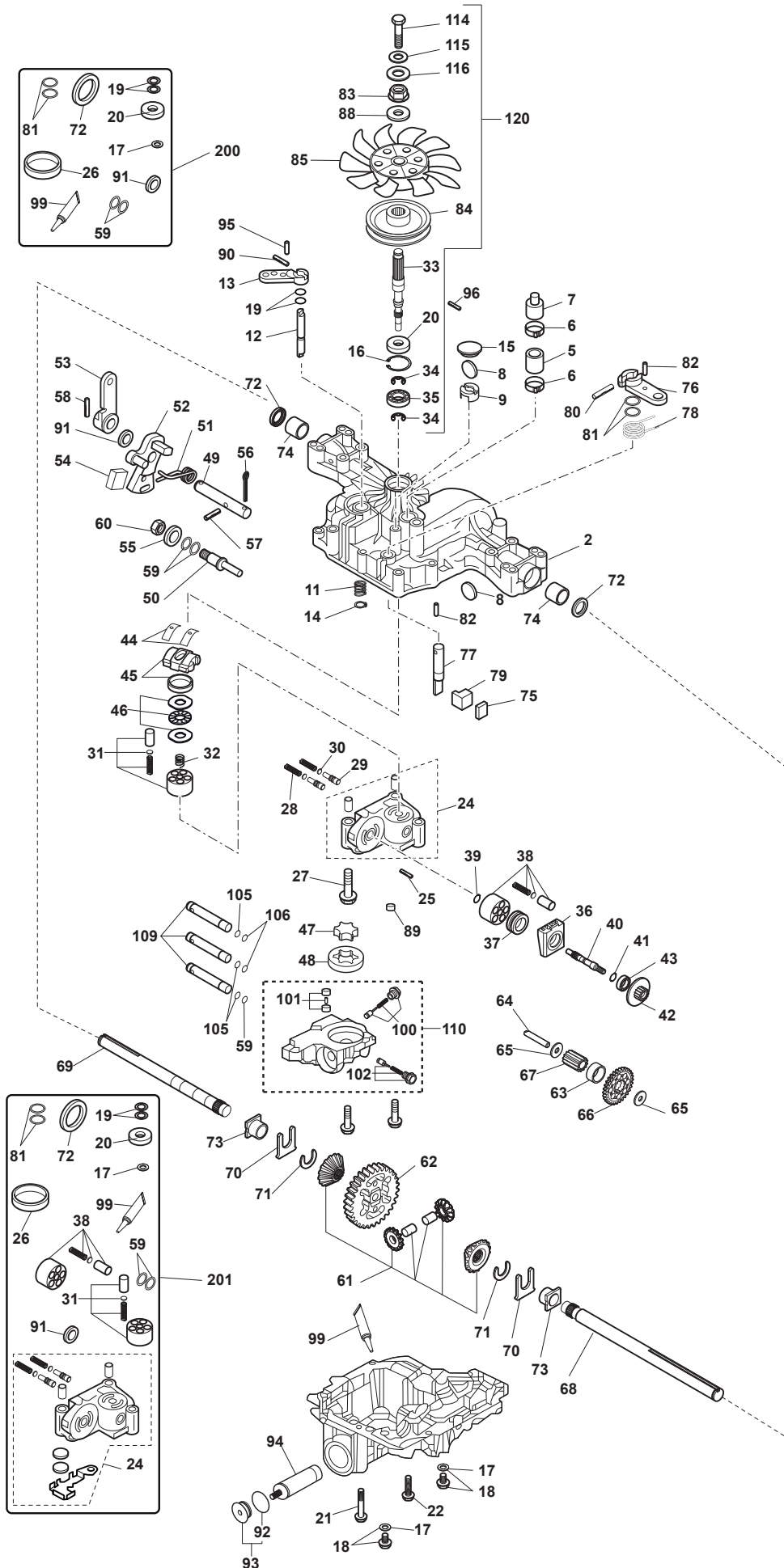
Utgåva Issue 18 - 2016		Dekaler Labels			
Pos. Fig.	Antal Q.ty	Art nr Part No	Benämning	Description	Anmärkning Notes
1	3	114367494/2	Dekal STIGA logo	Label STIGA logo	
2	2	114368751/0	Dekal Park 720 W	Label Park 720 W	Park 720 W
3	1	9402-3650-02	Dekal "Bypass" Park (Svart Tryck)	Decal By-Pass Park	
5	1	114358460/0	Dekal	Label	
6	1	114368429/0	Dekal	Label	



Utgåva Issue 18 - 2016		Transmission		Transmission	
Pos. Fig.	Antal Q.ty	Art nr Part No	Benämning	Description	Anmärkning Notes
1	1	1137-0126-01	Transaxel K57V	Transaxle K57V	Kanzaki K57V
2	1	1139-1470-01	Hus-Övre	Housing-Upper	Inkl. pos 74
3	1	1139-1728-01	Hus-Nedre	Housing-Lower	
5	1	1139-1301-01	Rör	Tube	
6	2	1139-1336-01	Slangklämma	Cobra Clip	
7	1	1139-1306-01	Adapter	Adaptor	
8	2	1139-1150-01	Magnet	Magnet	
9	1	1139-1341-01	Magnethallare	Magnet Holder	
11	1	1139-1347-01	Fjäder	Spring	
12	1	1139-1251-01	Axel	By-Pass Shaft	
13	1	1139-1189-01	Arm	By-Pass Lever	
14	1	1139-1161-01	Lasring	Ring	
15	1	1139-1275-01	Plugg	Bore Plug	
16	1	1139-1104-01	Lasring	Snap Ring	
17	2	1139-1103-01	Bricka	Washer	
18	2	1139-1500-01	Dräneringsbult-Sats	Drain Bolt Kit	Inkl. pos 17
19	2	1139-1117-01	O-Ring	O-Ring	
20	1	1139-1119-01	Tätning	Seal 15*35*7	
21	4	1139-1455-01	Skruv	Screw	
22	12	1139-0244-01	Skruv	Screw	
24	1	1139-1731-01	Centrumhus	Center Case	
25	1	1139-1158-01	Stift	Pin	
27	2	1139-1718-01	Bult	Bolt	
28	2	1139-1468-01	Ventil	Ids Valve	
29	2	1139-1243-01	Fjäder	Spring	
30	2	1139-1307-01	Filter	Filter	
31	1	1139-1356-01	Cylinderblock Kpl	Cylinder Block Kit	
32	1	1139-1245-01	Fjäder	Pump Spring	
34	3	1139-1146-01	Lasring	Ring	
35	1	1139-1110-01	Kullager	Ball Bearing	
36	1	1139-1458-01	Hus	Housing	
37	1	1139-1438-01	Lager	Bearing	
38	1	1139-1509-01	Cylinderblock Kpl	Cylinder Block Kit	
39	1	1139-1160-01	Bricka	Washer	
40	1	1139-1353-01	Motoraxel	Motor Shaft	
41	1	1139-1021-01	Lasring	Snap Ring	
42	1	1139-1272-01	Motordrev	Motor Gear	
43	1	1139-1453-01	Lager	Bearing	
44	2	1139-1066-01	Tryckplatta	Use 1139-1141-01	
45	1	1139-1597-01	Stänkplatta	Swash Plate	
46	1	1139-1508-01	Lager	Thrust Bearing Kit	
47	1	1139-1729-01	Innerrotor	Inner Rotor	
48	1	1139-1151-01	Yttre rotor	Outer rotor	
49	1	1139-1354-01	Regleraxel	Control Shaft	
50	1	1139-1410-01	Vridcentrum	Fulcrum	
51	1	1139-1312-01	Vridfjäder	Torsion Spring	
52	1	1139-1409-01	Reglerarm	Lever	
53	1	1139-1325-01	Reglerarm	Control Lever	
54	1	1139-1596-01	Ryckplatta	Jerky Plate	



Utgåva Issue 18 - 2016		Transmission		Transmission	
Pos. Fig.	Antal Q.ty	Art nr Part No	Benämning	Description	Anmärkning Notes
55	1	1139-1102-01	Bricka	Washer	
56	1	1139-1355-01	LasSprint	Cotter Pin	
57	1	1139-1329-01	Stift	Pin	
58	1	1139-1285-01	Stift	Pin	
59	2	1139-1115-01	O-Ring	O-Ring	
60	1	1139-1127-01	Mutter	Nut	
61	1	1139-1404-01	Differentialdrev Kpl	Diff.Gear Kit	
62	1	1139-1258-01	Slutdrev	Final Gear	
63	1	1139-1255-01	Hylsa	Collar	
64	1	1139-1256-01	röduktionsaxel	Reduction Shaft	
65	2	1139-1398-01	Bricka	Washer	
66	1	1139-1267-01	Reduktionsdrev	Reduction Gear	
67	1	1139-1361-01	Slutdrev	Final Pinion Gear	
68	1	1139-1344-01	Hjulaxel Vä	Axle Shaft-L	
69	1	1139-1345-01	Hjulaxel Hö	Axle Shaft-R	
70	2	1139-1078-01	Bricka	Thrust Washer	
71	2	1139-1163-01	Lasring	Ring	
72	2	1139-1080-01	Tätning	Seal 19*32*8	
73	2	1139-1164-01	Bussning	Bushing	
74	2	1139-1414-01	Bussning	Bushing	
75	1	1139-1260-01	Bromssko	Brake Shoe	
76	1	1139-1261-01	Bromsarm	Brake Arm	
77	1	1139-1320-01	Bromsaxel	Brake Shaft	
78	1	1139-1411-01	Returfjäder	Return Spring	
79	1	1139-1264-01	Tryckplatta	Brake Actuator	
80	1	1139-1282-01	Stift	Pin	
81	2	1139-1114-01	O-Ring	O-Ring	
82	2	1139-1281-01	Stift	Pin	
83	2	1139-1248-01	Krage	Spline Collar	
84	1	1139-1469-01	Remskiva	Pulley	
85	1	1134-4190-01	Fläkt	Fan	
88	1	1139-1276-01	Bricka	Collar	
89	4	1139-1166-01	Stift	Pin	
90	1	1139-1280-01	Stift	Pin	
91	1	1139-1303-01	Tätningring	Seal Ring	
92	1	1139-1534-01	O-Ring	O-Ring	
93	1	1139-1510-01	Lock	Cap Kit	Inkl. pos 92
94	1	1139-1186-01	Filter	Filter	
95	1	1139-1279-01	Stift	Pin	
96	1	1139-1148-01	Stift	Pin	
99	1	1139-1443-01	Tätningmedel	Sealant (Tube)	
100	1	1139-1462-01	Ventil	Valve	
101	1	1139-1234-01	Ventil	Check Cmp	
102	1	1139-1463-01	Ventil	Valve	
105	3	1139-0239-01	Packning	Packing	
106	2	1139-1168-01	Packning	Packing	
108	1	1139-1460-01	Nippel	Piping	
109	2	1139-1464-01	Anslutning	Connector	
110	1	1139-1730-01	Pumphus	Pump Case	Inkl. pos 100 - 102



Utgåva Issue 18 - 2016		Transmission			
Pos. Fig.	Antal Q.ty	Art nr Part No	Benämning	Description	Anmärkning Notes
112	1	1139-1473-01	Bult	Bolt	
113	1	1139-1471-01	Bult	Bolt	
114	1	1139-1719-01	Bult	Bolt	
115	1	1139-1720-01	Bricka	Washer	
116	1	1139-1721-01	Bricka	Washer	
120	1	1139-1725-01	Pumpaxel Kpl	Pump Shaft Kit	Inkl. pos 33,114-116

code	pos.	q.ty	page
337110330/0	45	1	p. 5
337110331/0	25	1	p. 5
337110332/0	26	1	p. 5
337110334/0	6	1	p. 7
337110335/0	8	1	p. 7
337110336/0	7	1	p. 7
337394201/0	67	1	p. 17
337491250/0	2	1	p. 5
337491251/0	1	1	p. 5
337502507/0	10	1	p. 5
337546547/0	51	2	p. 35
337580302/0	10	2	p. 7
337580550/0	51	1	p. 15
337600000/0	56	1	p. 35
337600010/0	2	1	p. 37
337600011/0	3	1	p. 37
337600015/0	6	1	p. 37
337670201/0	39	1	p. 15
337670201/0	50	1	p. 33
337785100/0	14	1	p. 37
337961200/0	52	1	p. 15
387256055/0	15	1	p. 11
387318251/0	23	1	p. 33
387457003/0	24	1	p. 9
387520101/1	47	1	p. 15
387520113/0	34	1	p. 15
387520119/0	63	1	p. 15
387602503/0	51	1	p. 9
387785243/0	31	1	p. 15
387800011/0	1	1	p. 9