



## **Reservdelskatalog Parts Catalogue**

# **Park 740 PWX (ISO)**

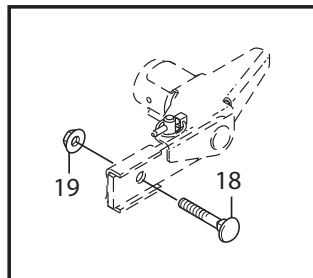
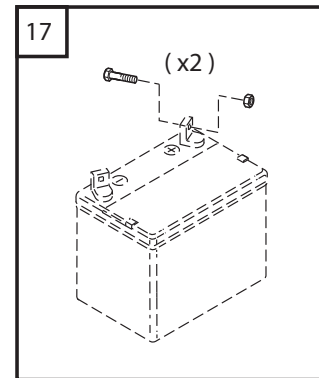
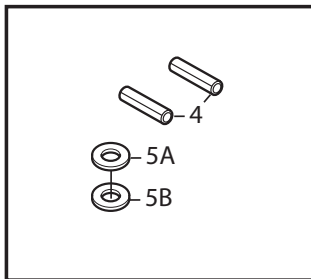
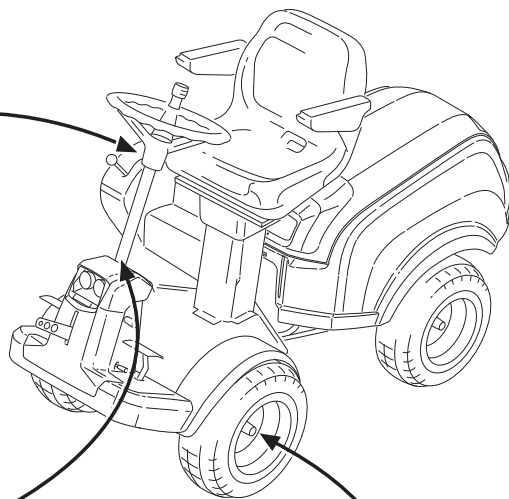
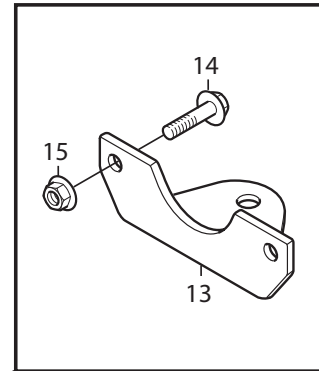
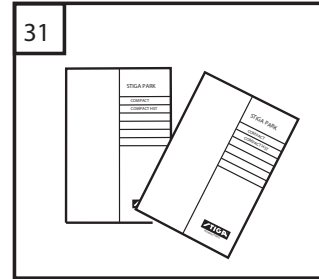
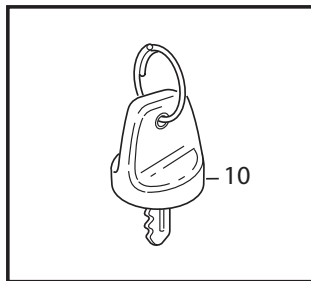
**13-6317-32 - Season 2014**

- Use GLOBAL GARDEN PRODUCT Genuine Spare Parts specified in the parts list for repair and/or replacement.
  - The contents described in the parts list may change due to improvement.
  - The drawings of the spare parts are only indicative and might not represent the part in question exactly.
  - The indications "right" - "left" - "front" - "rear" refer to the position of the operator when using the machine.
- When placing orders of parts for repair and/or replacement, make sure that the illustrated parts list is the one applying to the machine's year of manufacture, as shown on the identification plate attached to the machine.

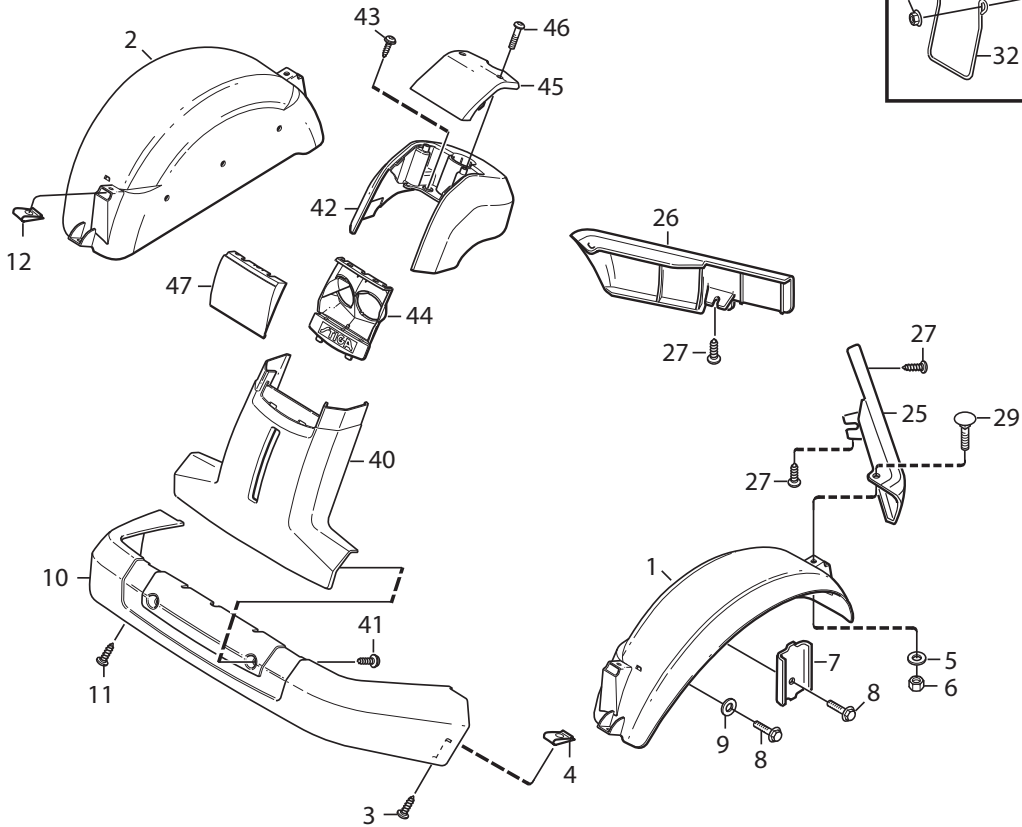
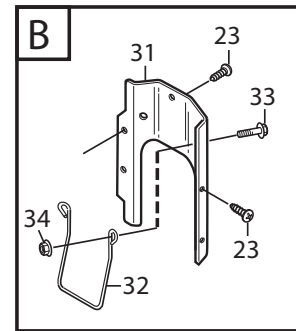
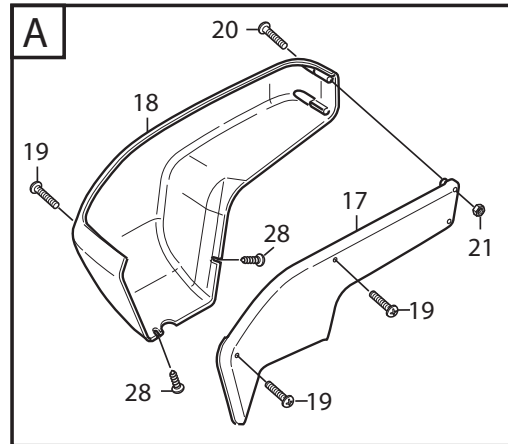
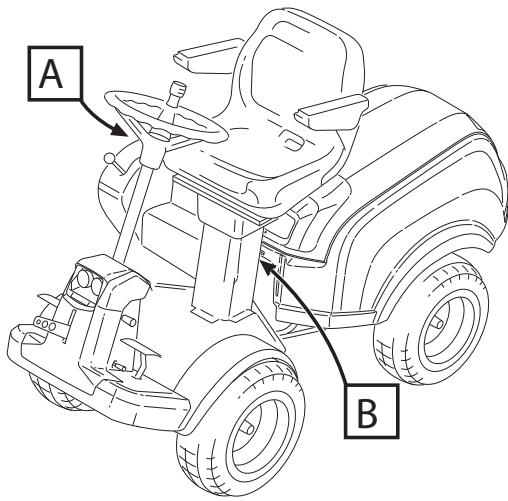
© Copyright 2014 Global Garden Products

All rights reserved. No part of this material may be reproduced or transmitted, in any form or by any means, electronic or mechanical, including photocopying, recording or by any information storage and retrieval system, without permission in writing from GLOBAL GARDEN PRODUCTS.

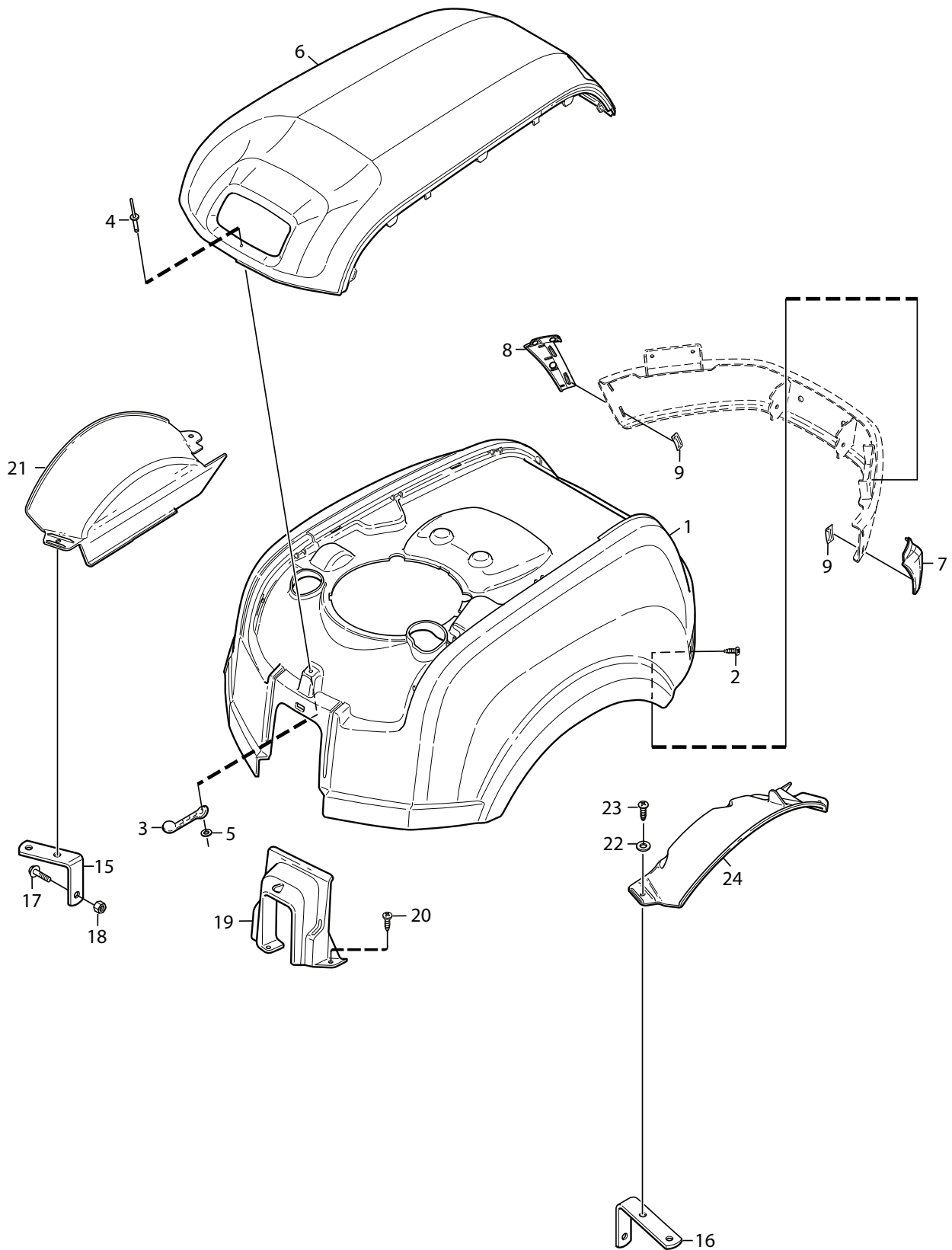
[www.stiga.com](http://www.stiga.com)



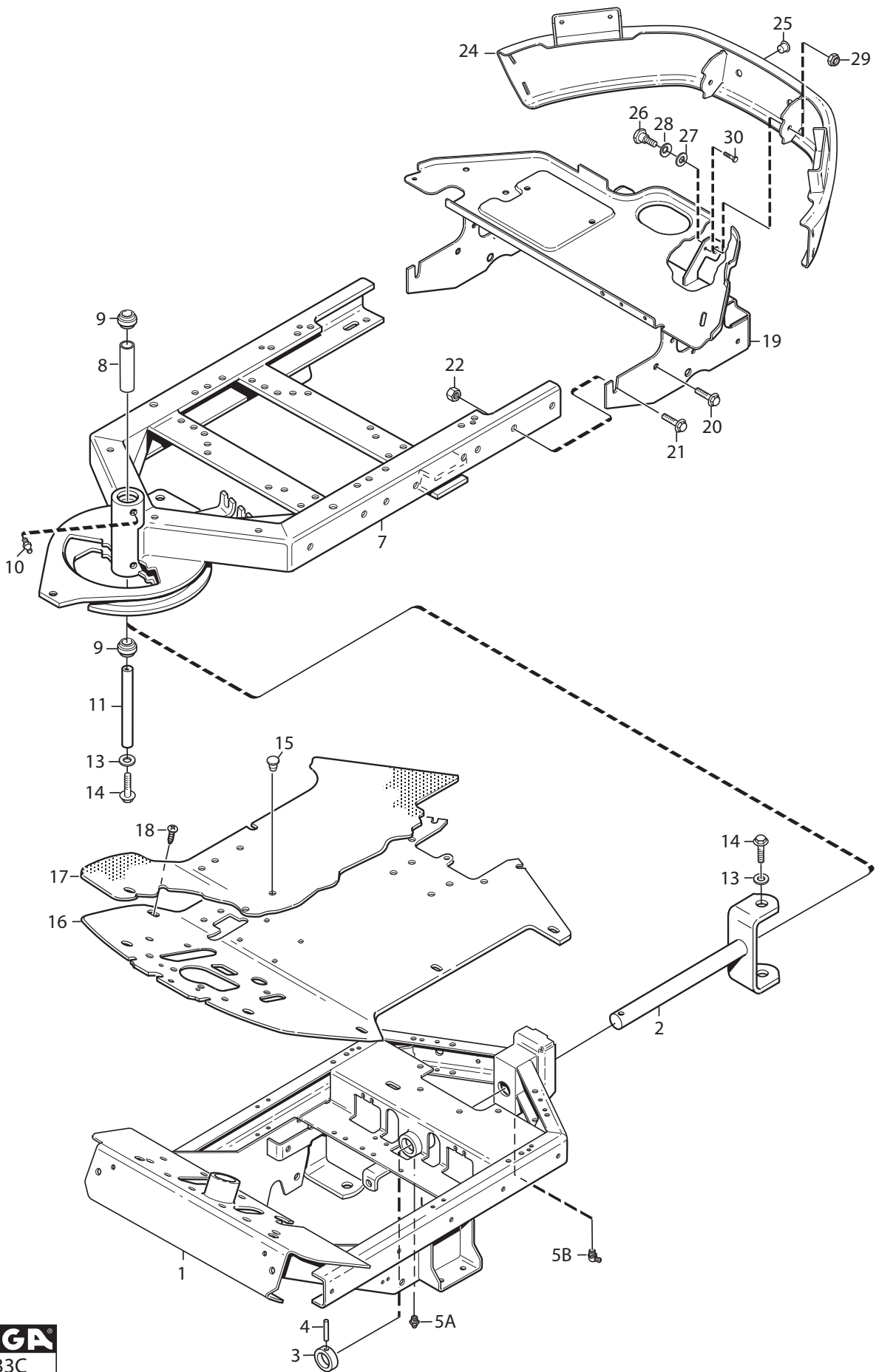
Utgåva Issue 43 - 2014		Monteringsdetaljer Assembly parts			
Pos. Fig.	Antal Quantity	Art nr Part No	Benämning	Description	Anmärkning Notes
4	2	9595-0262-00	Spännstift	Locating Pin	0.5 mm
5	1	9699-0103-02	Bricka	Washer	1.0 mm
5	1	9699-0114-02	Bricka	Washer	1.0 mm
10	2	1134-4734-01	Tändningsnyckel	Ignition Key	
13	1	1134-5512-01	Dragplåt5-01	Towing Plate	
14	2	9959-0820-16	Skruv	Screw	
15	2	9739-0831-22	Mutter	Nut	
17	1	1134-6113-02	Skruv	Screw	
18	2	9898-1035-16	Skruv	Screw	
19	2	9739-1031-22	Mutter	Nut	
31	1				As PDF
31	1	8211-0701-10	Säkerhetsföreskrifter	Safety Regulations	
31	1	8211-0960-10	Garantikort	Warranty Card	



Utgåva Issue 43 - 2014		Kaross	Body work		
Pos. Fig.	Antal Quantity	Art nr Part No	Benämning	Description	Anmärkning Notes
1	1	1137-0048-01	Framskärm-Vä	Mud Guard, Front-Lh	
2	1	1137-0048-02	Framskärm-Hö	Mud Guard, Front-Rh	
3	2	9893-0616-16	Skruv   Relä	Screw   Relay	
4	2	1134-4176-01	Clips	Clips	
5	2	9699-0060-02	Bricka	Washer	
6	2	9747-0631-02	Mutter   Låsmutter	Nut	
7	2	1137-0088-01	Stödplåt	Support Plate	
8	6	9945-0816-16	Skruv	Screw	
9	4	9699-0056-02	Bricka	Washer	
10	1	1137-0049-01	Stötfångare-Fram	Front Bumper	
11	6	9893-0616-16	Skruv   Relä	Screw   Relay	
12	2	1134-4176-01	Clips	Clips	
17	1	1134-4360-01	Kåpa-Inre (1-00)	Cover-Inner	
18	1	1134-3979-01	Kåpa Yttre1-00	Cover-Outer	
19	3	9946-0525-16	Skruv	Screw	
20	2	9950-0570-12	Skruv	Screw	
21	2	9747-0531-02	Mutter	Nut	
23	4	9893-0616-16	Skruv   Relä	Screw   Relay	
25	1	1134-3970-05	Kantlist-Vä (Grå) 7-14	Moulding-Left (Grey)	
26	1	1134-3970-02	Kantlist-Hö (Grå) 7-14	Moulding Right-Grey	
27	4	9893-0616-16	Skruv   Relä	Screw   Relay	
28	2	9840-8013-16	Skruv	Screw	
29	2	9897-0616-16	Skruv	Screw	
31	1	1134-6461-01	Bakstycke 1-00	Rear Plate	
32	1	1134-6460-01	Skyddsbygel	Protective Loop	
33	2	9959-0820-16	Skruv	Screw	
34	2	9739-0831-22	Mutter	Nut	
40	1	1137-0050-01	Frontkåpa-Nedre	Front Panel-Lower	
41	2	9838-9516-12	Skruv	Screw	
42	1	1137-0051-01	Frontkåpa-Övre	Front Panel-Upper	
43	2	9946-0525-16	Skruv	Screw	
44	1	1137-0052-01	Lamphållare	Lamp Holder	
45	1	1137-0053-01	Toppkåpa	Top Panel	
46	2	9838-9516-12	Skruv	Screw	
47	1	1137-0054-01	Lampglas	Lamp Glass	

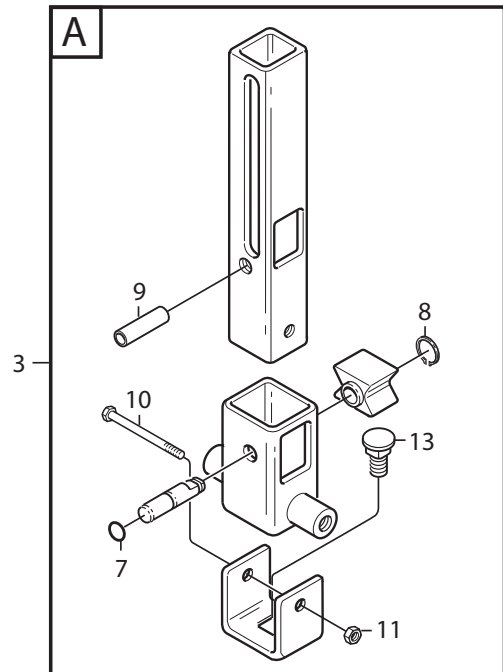
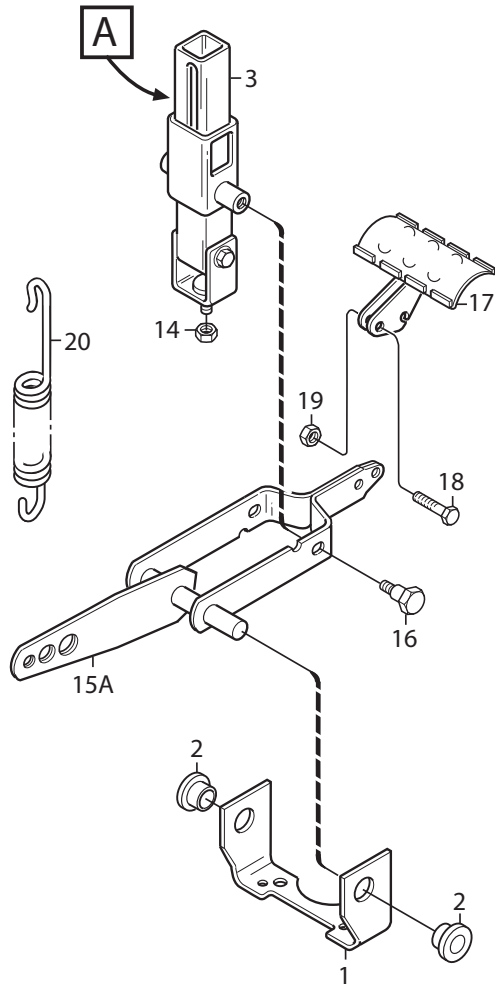


Utgåva Issue 43 - 2014		Kaross Body work			
Pos. Fig.	Antal Quantity	Art nr Part No	Benämning	Description	Anmärkning Notes
1	1	1134-6025-01	Motorhuv(1-00)	Engine Hood	
2	4	9893-0616-16	Skruv   Relä	Screw   Relay	
3	1	1134-9028-01	Gummistropp (3 St)	Rubber Strap (3 Pcs)	Sats 3 st/kit of 3
4	1	9632-0513-00	Popnit1 -0420 Bs [Tap/D Bs] 3,2X20	Pop Rivet	
5	1	9699-0120-02	Bricka	Washer	
6	1	1134-6026-01	Motorlucka (7-14)	Engine Cover	
7	1	1134-6027-01	Ändavslut Stötfångare-Vä	Bumper End-Lh	
8	1	1134-6027-02	Ändavslut Stötfångare-Hö	Bumper End-Rh	
9	4	1134-6310-01	Clips	Clip	
15	1	1134-4012-03	Stöd-Hö	Support, Right	
16	1	1134-4012-04	Stöd-Vä	Support, Left	
17	1	9959-0820-16	Skruv	Screw	
18	1	9739-0831-22	Mutter	Nut	
19	1	1134-6241-01	Huvstöd (Svart) 5-01	Hood Support	
20	3	9893-0616-16	Skruv   Relä	Screw   Relay	
21	1	1134-4800-01	Innerskärm-Hö (Park)	Inner Mud Guard-Rh (Park)	
22	4	9699-0060-02	Bricka	Washer	
23	4	9893-0616-16	Skruv   Relä	Screw   Relay	
24	1	1134-4801-01	Innerskärm-Vä (Park)	Inner Mud Guard-Lh (Park)	
30	3	1137-0020-01	Distans	Spacer	
31	3	9997-0535-16	Skruv	Screw	
32	3	9739-0531-22	Mutter	Nut	
33	3	9699-0099-02	Bricka	Washer	
34	3	9747-0531-02	Mutter	Nut	

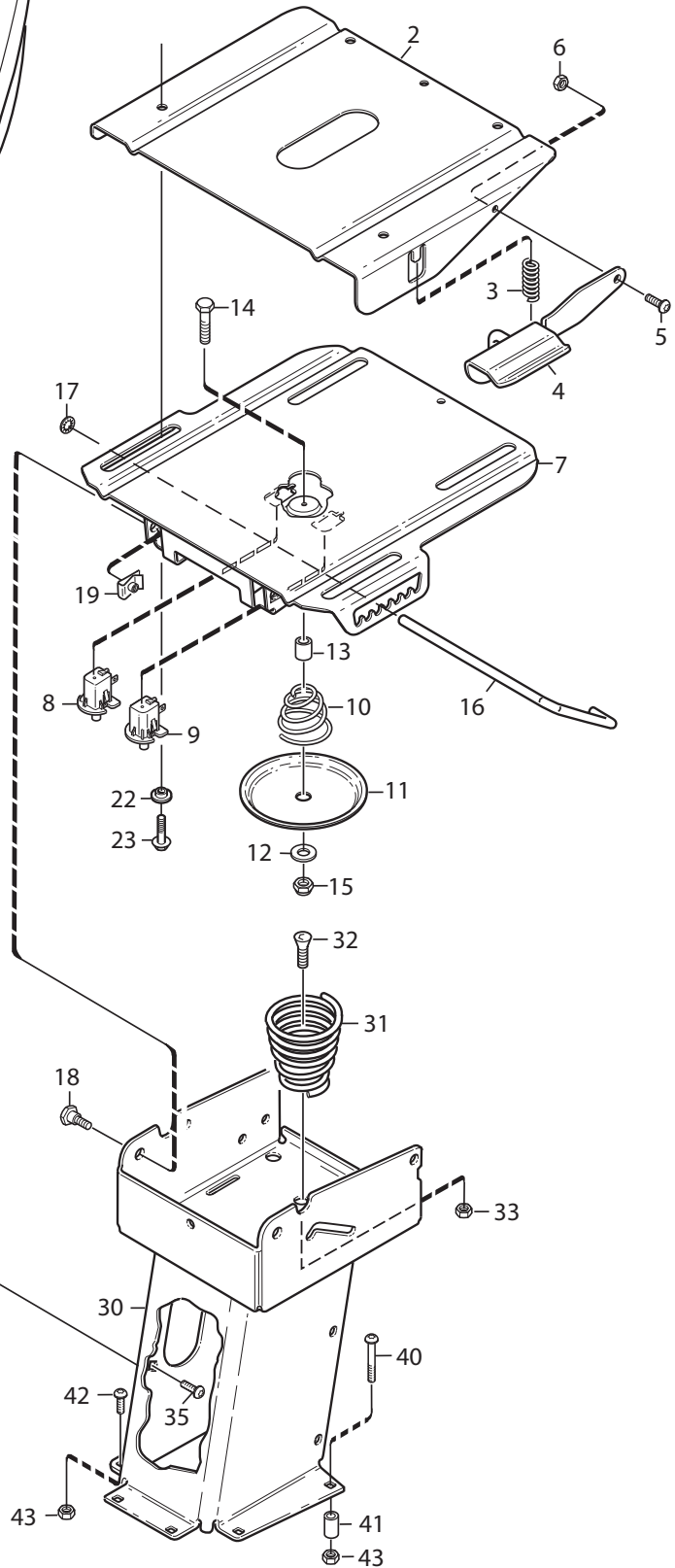
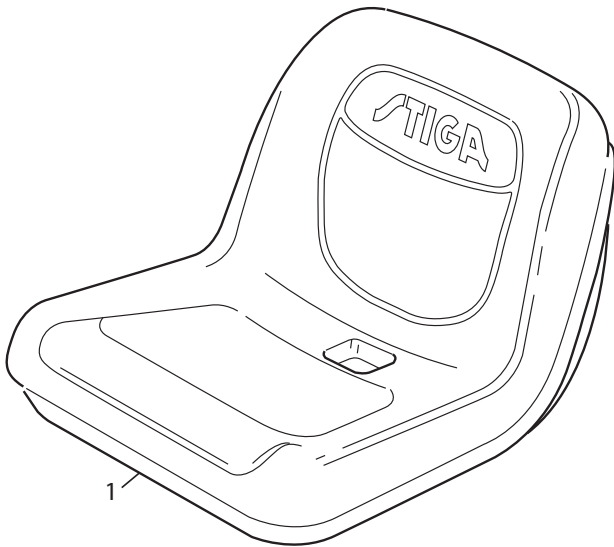




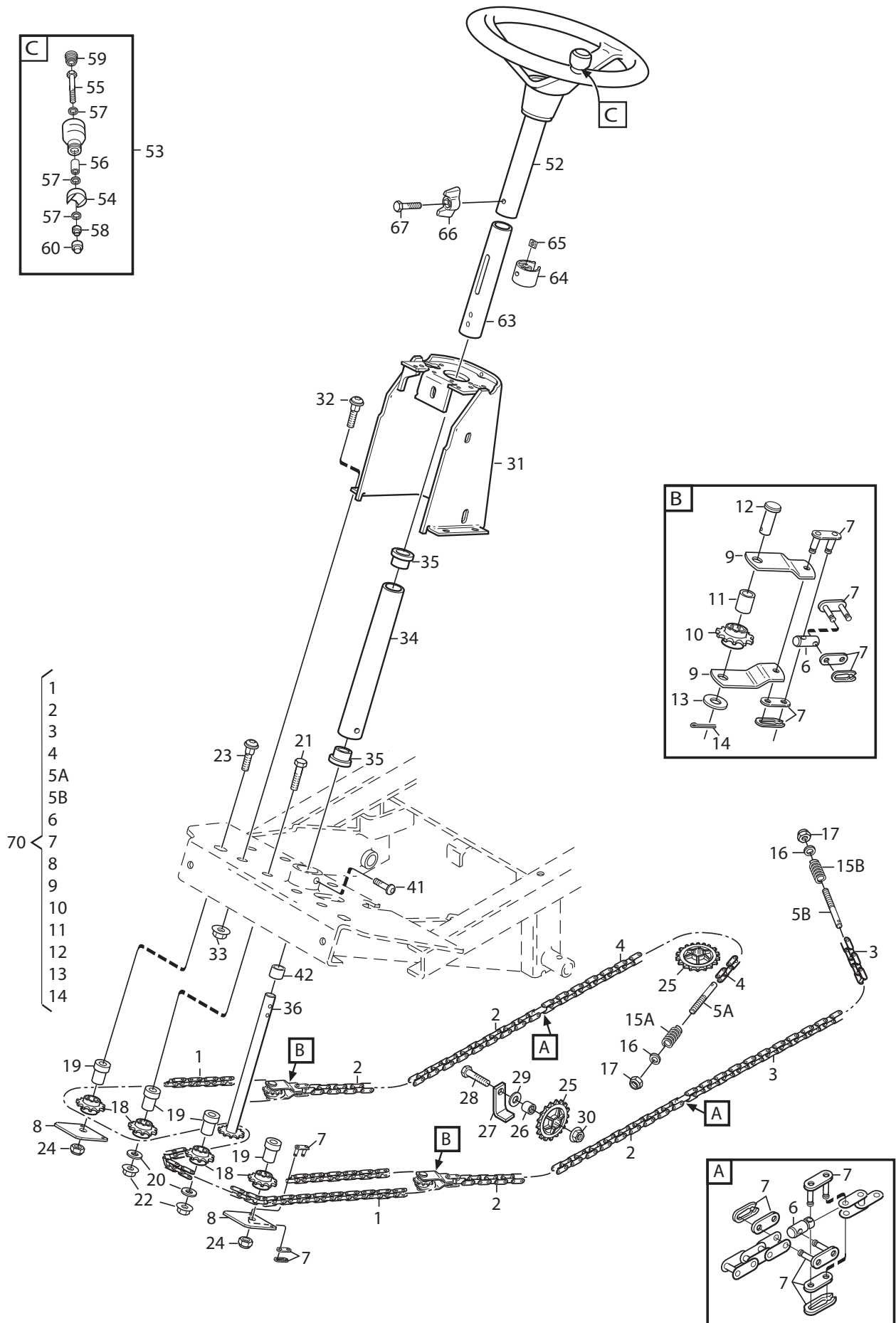
Utgåva Issue 43 - 2014		Ram	Frame		
Pos. Fig.	Antal Quantity	Art nr Part No	Benämning	Description	Anmärkning Notes
1	1	1137-0390-01	Ram-Främre (4Wd) 5-01	Frame-Front (4Wd)	France
1	1	1137-0100-01	Ram-Främre	Frame-Front	
2	1	1134-3963-02	Midjegaffel Service 5-01 H10	Fork	
3	1	1134-0031-00	Ledaxelstopp	Pivot Shaft Stop	
4	1	9595-0262-00	Spännstift	Locating Pin	
5	1	9501-0500-00	Smörjkopp Kort Rak	Grease Dispenser	Rak/straight
5	1	9501-0504-01	Smörjnippel	Grease Nipple M6 90	90
7	1	1134-6466-01	Ram-Bakre Kpl (5-01)	Frame-Rear Assy	
8	1	1134-5705-01	Distans	Spacer	
9	2	9547-0001-00	Ledlager Ge17Es	Bearing	
10	2	9501-0500-00	Smörjkopp Kort Rak	Grease Dispenser	
11	1	1134-5988-01	Centrumaxel	Centre Shaft	
13	2	9699-0035-02	Bricka	Washer	
14	2	9959-1025-16	Skruv	Screw	
15	2	9403-0048-70	Täckpropp lkpt 13-6,5S	Cover Plug	
16	1	1134-6586-01	Durk (5-01)	Floor Plate	
17	1	1134-6372-04	Durkmatta	Floor Mat Hst	
18	2	9893-0616-16	Skruv   Relä	Screw   Relay	
19	1	1134-5944-01	Tankhylla Kpl. 5-01	Tank Shelf Assy	
20	2	9945-0816-16	Skruv	Screw	
21	2	9959-0820-16	Skruv	Screw	
22	2	9739-0831-22	Mutter	Nut	
24	1	1134-5676-01	Stötfångare	Rear Bumper	
25	2	1134-4100-01	Täckpropp	Plug	
26	2	1134-0240-00	Skruv	Screw	
27	2	1134-4242-01	Distansbricka	Washer	
28	2	9665-0002-00	Bricka	Washer	
29	2	9747-0831-02	Mutter   Låsmutter	Nut	
30	2	9943-0516-16	Skruv	Screw	



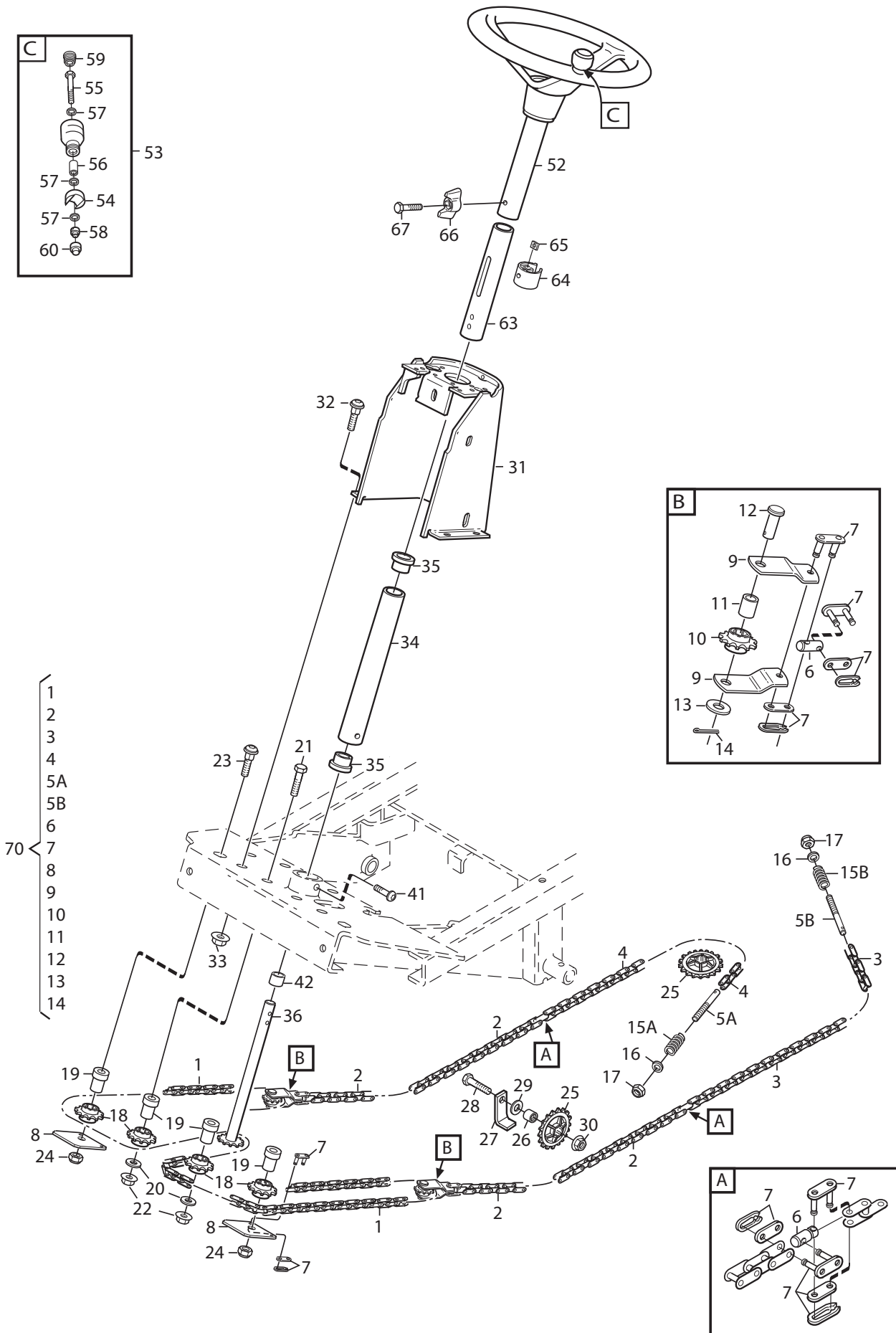
Utgåva Issue 43 - 2014		Pedallyft Pedal lift			
Pos. Fig.	Antal Quantity	Art nr Part No	Benämning	Description	Anmärkning Notes
1	1	1134-4117-01	Fäste	Bracket	
2	2	1134-2684-01	Lager	Bearing	
3	1	1134-4945-01	Lyftspärr kpl	Lift Catch Assy	
7	1	9404-0027-01	O-ring	O-ring	
8	1	9650-0039-04	Spårring Sga 8	Lock Ring	
9	1	9595-0276-01	Spiralspännstift 8*24	Locating Pin	
10	1	9997-0640-12	Skruv	Screw	
11	1	9747-0631-02	Mutter   Låsmutter	Nut	
13	1	9897-0820-16	Skruv	Screw	
14	1	9747-0831-02	Mutter   Låsmutter	Nut	
15	1	1137-0109-01	Lyftarm Kpl (Grå) 7-14	Lift Arm Assy	
16	2	1134-0240-00	Skruv	Screw	
17	1	1134-4938-01	Lyftpedal	Lift Pedal	
18	2	9997-0625-16	Skruv	Screw	
19	2	9739-0631-22	Strålkastare   Mutter	Working lamp   Nut	
20	1	4231-0013-00	Fjäder	Spring	



Utgåva Issue 43 - 2014		Sits	Seat		
Pos. Fig.	Antal Quantity	Art nr Part No	Benämning	Description	Anmärkning Notes
1	1	1134-6444-01	Sits (Xb 150) Stiga	Seat	
2	1	1134-6090-01	Glidplatta-Övre 5-01	Slide Plate-Upper	
3	1	1134-3262-01	Fjäder	Spring	
4	1	1134-6073-01	Handtag Kpl 5-01	Handle Assy	
5	1	9893-0616-16	Skruv   Relä	Screw   Relay	
6	1	9747-0631-02	Mutter   Låsmutter	Nut	
7	1	1134-6068-01	Glidplatta-Undre Kpl 5-01	Slide Plate-Lower	
8	1	1134-3156-01	Brytare	Switch	
9	1	1134-3156-02	Brytare (grå)	Switch	
10	1	1134-5302-01	Fjäder	Spring	
11	1	1134-5299-01	Tryckplatta	Push Plate	
12	1	9699-0090-02	Bricka	Washer	
13	1	1134-1565-06	Distans	Spacer	
14	1	9997-0840-12	Skruv	Screw	
15	1	9747-0831-02	Mutter   Låsmutter	Nut	
16	1	1134-5179-01	Spärr	Catch	
17	1	9675-0012-02	Starlock	Locking washer	
18	2	1134-0240-00	Skruv	Screw	
19	2	1134-4620-02	Fjädermutter	Nut	
22	4	1134-6078-01	Bricka	Flange Washer	
23	4	9959-0820-16	Skruv	Screw	
30	1	1134-5698-01	Sitskonsol Kpl 1-00	Seat Bracket Assy	
31	1	1134-4256-01	Fjäder	Spring	
32	1	9924-1235-19	Skruv	Screw	
33	1	9747-1231-02	Mutter	Nut	
34	1	1134-3990-01	Armsvep Kpl 041-00	Attachment-Side Panel	
35	2	9897-0820-16	Skruv	Screw	
36	2	9739-0831-22	Mutter	Nut	
37	1	1134-4130-01	Undre Lock (1-00)	Cover Lower	
38	4	9840-8013-16	Skruv	Screw	
40	2	9897-0880-12	Skruv	Screw	
41	2	1134-1565-08	Distans	Spacer	
42	4	9897-0820-16	Skruv	Screw	
43	6	9747-0831-02	Mutter   Låsmutter	Nut	

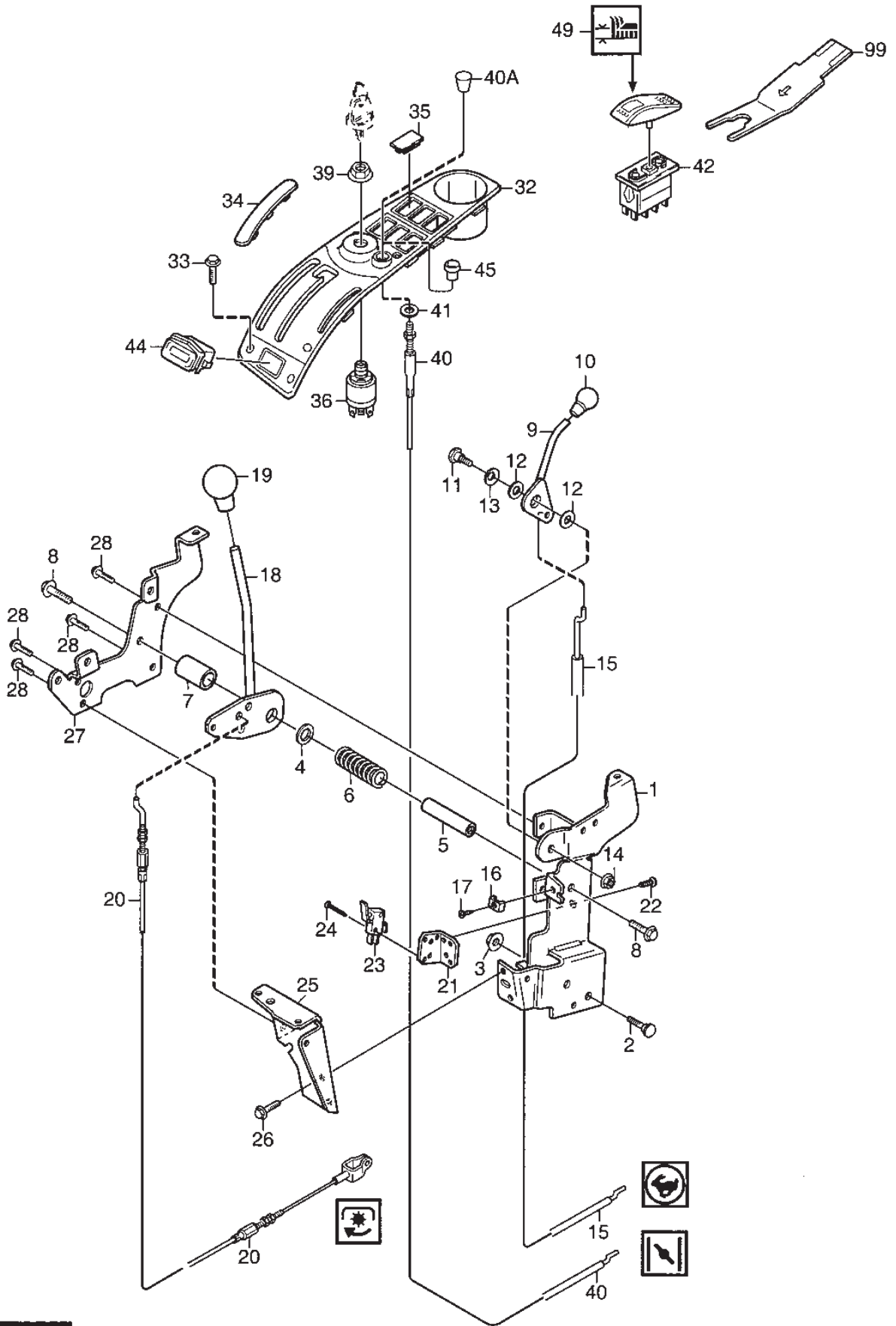


Utgåva Issue 43 - 2014		Styrning Steering			
Pos. Fig.	Antal Quantity	Art nr Part No	Benämning	Description	Anmärkning Notes
1	1	1134-6374-10	Kedja	Chain	129 länk
2	2	1134-6374-09	Kedja	Chain	35 länk
3	1	1134-6374-02	Kedja	Chain	41 länk
4	1	1134-6374-05	Kedja	Chain	47 länk
5	1	1134-3550-02	Ändnippel (L90)	End Nipple	L = 90 mm
5	1	1134-3550-01	Ändnippel (L110)	End Nipple	L = 110 mm
6	4	1134-3565-01	Skarvnippel	Connection Nipple	
7	12	1134-2824-02	Kedjelås Fz	Chain Lock	
8	2	1134-5652-01	Fäste	Attachment	
9	4	1134-5651-01	Fäste	Bracket	
10	2	1134-2816-01	Kedjehjul	Sprocket	
11	2	1134-0041-02	Bussning	Bushing	
12	2	1134-4817-01	Stift	Pin	
13	2	9699-0035-02	Bricka	Washer	
14	2	9599-0054-02	SaxSprint	Split Pin	
15	1	1134-3817-01	Fjäder	Spring	L = 58 mm
15	1	1134-3817-02	Fjäder	Spring	L = 33 mm
16	2	9699-0090-02	Bricka	Washer	
17	2	9747-0831-02	Mutter   Låsmutter	Nut	
18	4	1134-2816-01	Kedjehjul	Sprocket	
19	4	1134-5653-01	Distans	Spacer	
20	2	9699-0035-02	Bricka	Washer	
21	2	9997-1060-12	Skruv	Screw	
22	2	9739-1031-22	Mutter	Nut	
23	2	9897-1060-12	Skruv	Screw	
24	2	9731-1031-22	Mutter	Nut	
25	3	1134-3547-01	Kedjehjul	Sprocket	
26	2	1134-0041-01	Bussning	Bushing	
27	2	1134-0046-00	Wireklämma	Wire Clamp	
28	2	9997-1040-16	Skruv	Screw	
29	2	9699-0035-02	Bricka	Washer	
30	2	9739-1031-22	Mutter	Nut	
31	1	1137-0066-01	Rattstång Skydd	Steering Column Cover	
32	4	9897-0820-16	Skruv	Screw	
33	4	9739-0831-22	Mutter	Nut	
34	1	1134-1305-03	Rattrör Nedre	Steering Column, Lower	
35	2	1134-1901-01	Lager	Bearing	
36	1	1137-0120-02	Rattstång Kpl	Steering Rod Assy	
41	2	9893-0616-16	Skruv   Relä	Screw   Relay	
42	1	1134-2837-03	Distans	Spacer	
52	1	1134-5173-02	Ratt Kpl	Steering Wheel	
53	1	1134-3769-01	Styrknopp Kpl Service	Steering Wheel Button Kit	
54	1	1134-3752-01	Knoppfäste	Knob Holder	
55	1	9997-0870-16	Skruv	Screw	
56	1	1134-1565-06	Distans	Spacer	
57	3	9699-0090-02	Bricka	Washer	
58	1	9747-0831-02	Mutter   Låsmutter	Nut	
59	1	9403-0043-70	Plugg	Plug	
60	1	9403-0113-00	Ringmutter	Ring Nut	

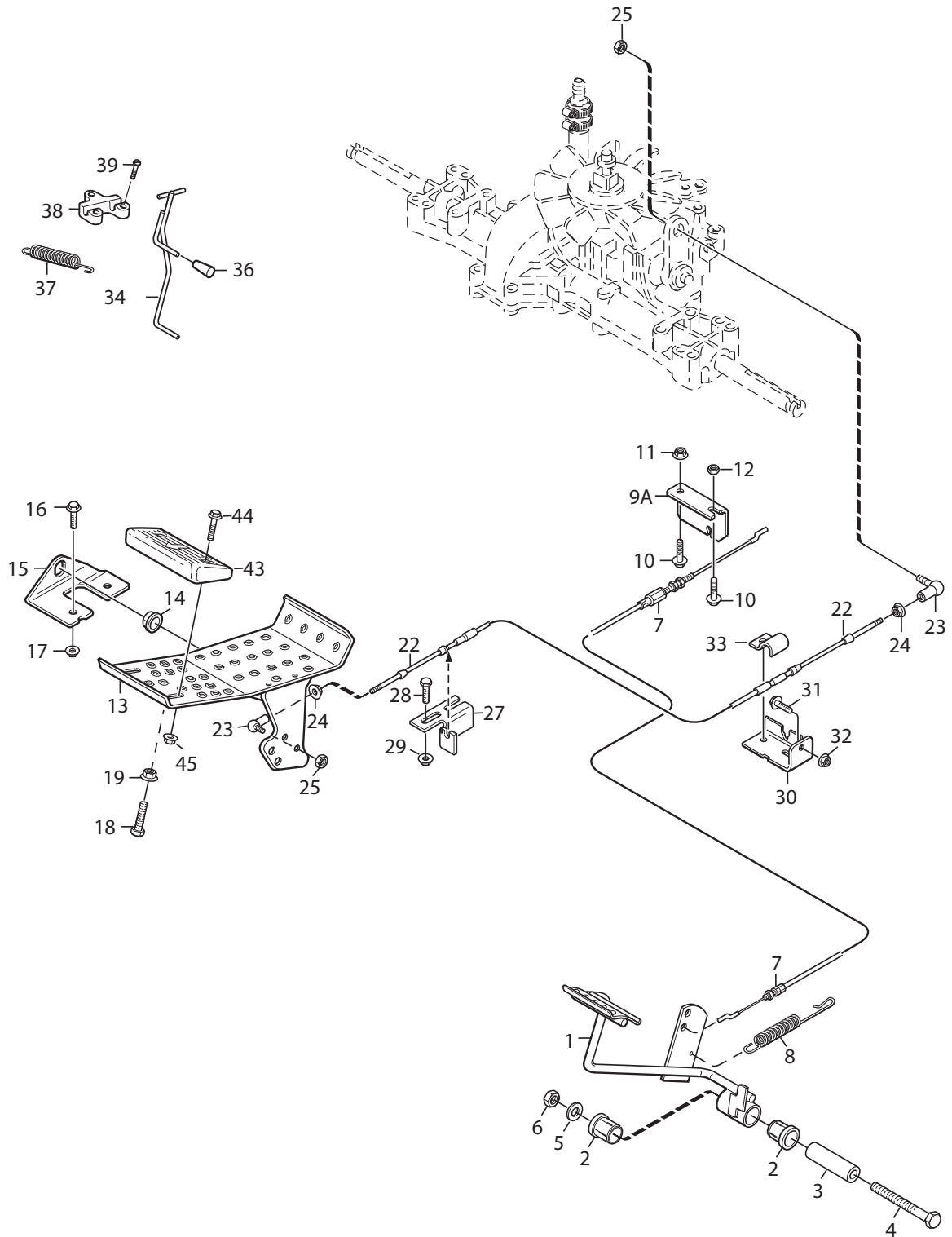




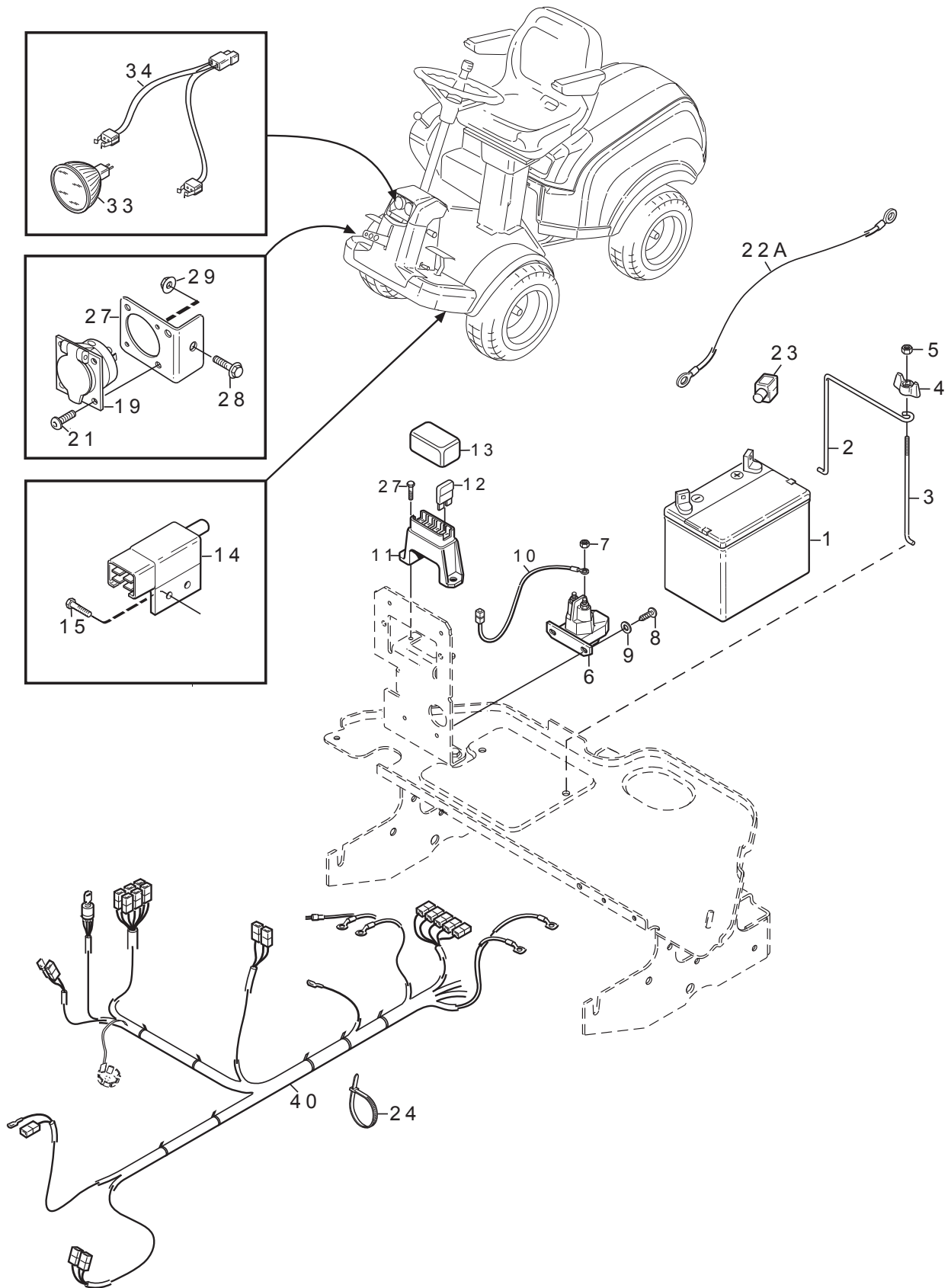
Utgåva Issue 43 - 2014		Styrning Steering			
Pos. Fig.	Antal Quantity	Art nr Part No	Benämning	Description	Anmärkning Notes
63	1	1137-0070-01	Rattrör-Inre	Steering Tube-Inner Assy	
64	1	1134-5177-01	Slid	Slide	
65	1	9710-0631-12	Låsmutter	Nut	
66	1	1134-4481-02	Vingmutter	Wing Nut	
67	1	9997-0630-12	Skruv	Screw	
70	1	1134-6380-03	Styrkedja Fz Mek. Servo K/K, L/K Sm	Steering Chain Assy	Inkl. pos 1-14



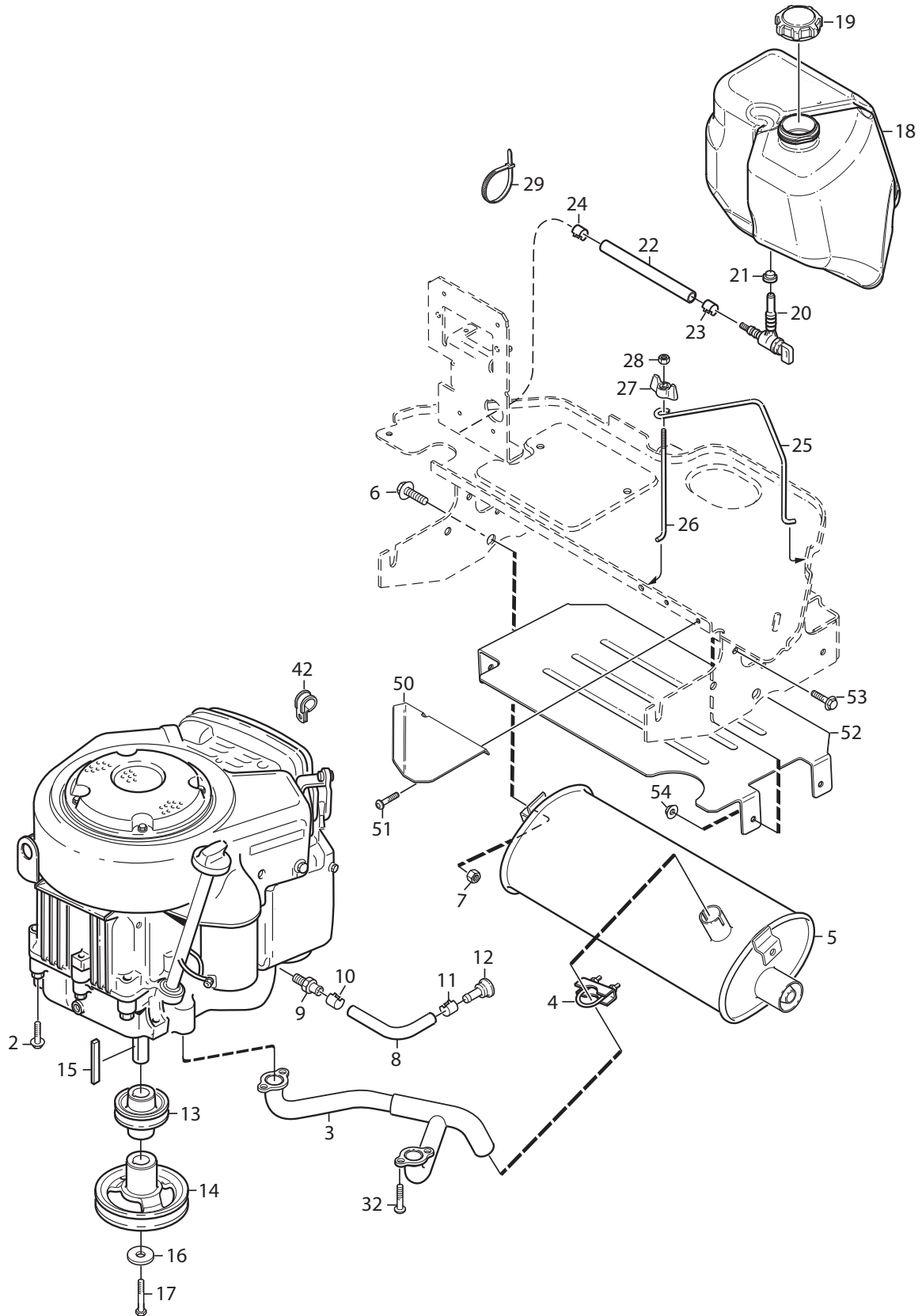
Utgåva Issue 43 - 2014		Handreglage Hand controls			
Pos. Fig.	Antal Quantity	Art nr Part No	Benämning	Description	Anmärkning Notes
1	1	1134-4156-01	Vinkelhållare Kpl 24	Panel Bracket-Inner	
2	2	9897-0820-16	Skruv	Screw	
3	2	9739-0831-22	Mutter	Nut	
4	1	9695-0011-00	Bricka	Washer	
5	1	1134-4065-01	Reglageaxel	Control Shaft	
6	1	1134-4079-01	Fjäder	Spring	
7	1	1134-4080-03	Reglagehylsa	Control Sleeve	
8	2	9959-0820-16	Skruv	Screw	
9	1	1134-4077-01	Gasreglage	Throttle Cable	
10	1	1134-4078-01	Knopp	Knob	
11	1	1134-0240-00	Skruv	Screw	
12	2	1134-4242-01	Distansbricka	Washer	
13	1	9694-0001-00	Bricka	Washer	
14	1	9747-0831-02	Mutter   Låsmutter	Nut	
16	1	9500-9991-00	Kabelklämma	Wire Clamp	
17	1	9943-0516-16	Skruv	Screw	
18	1	1134-4072-01	Aggregatpak Kpl	Control Lever	
19	1	1134-2551-01	Knopp	Knob	
20	1	1134-3573-03	Kraftuttagwire	Pto Cable	
21	1	1134-5358-01	Brytarfäste	Switch Bracket	
22	2	9852-8013-16	Skruv	Screw	
23	1	9400-0285-01	Brytare	Switch	
24	2	9840-7716-16	Skruv	Screw	L = 16 mm
25	1	1134-6328-01	Frontfäste 5-01	Panel Bracket-Front	
26	2	9893-0616-16	Skruv   Relä	Screw   Relay	
27	1	1134-6327-01	Frontplåt5-01	Front Plate	
28	4	9893-0616-16	Skruv   Relä	Screw   Relay	
33	4	9946-0525-16	Skruv	Screw	
34	1	1134-4154-01	Täckbricka	Cover	
36	1	1134-4093-01	Tändningslås	Ignition Switch	
39	1	1134-4749-01	Mutter	Nut	
44	1	1134-6097-01	Timräknare	Hour Meter	



Utgåva Issue 43 - 2014		Fotreglage Foot controls			
Pos. Fig.	Antal Quantity	Art nr Part No	Benämning	Description	Anmärkning Notes
1	1	1134-5655-01	Kopplingspedal Kpl	Clutch Pedal	
2	1	1134-9024-01	Lager (4 St)	Bearing	Sats 4 st/kit of 4
3	1	1134-5677-02	Distans	Spacer	
4	1	9997-1070-12	Skruv	Screw	
5	1	9699-0030-02	Bricka	Washer	
6	1	9739-1031-22	Mutter	Nut	
7	1	1134-6005-01	Reglagewire	Control Cable	
8	1	4231-0013-00	Fjäder	Spring	
9	1	1134-6467-01	Wirefäste	Cable Holder	
10	2	9959-0820-16	Skruv	Screw	
11	1	9739-0831-22	Mutter	Nut	
12	1	9747-0831-02	Mutter   Låsmutter	Nut	
13	1	1134-6353-01	Drivpedal	Drive Pedal	
14	2	1134-6313-01	Lager	Bearing	
15	2	1134-2700-01	Fäste	Bracket	
16	2	9959-0820-16	Skruv	Screw	
17	2	9739-0831-22	Mutter	Nut	
18	1	9997-0835-16	Skruv	Screw	
19	1	9739-0831-22	Mutter	Nut	
22	1	1134-2766-05	Reglagevajer	Speed Control Cable	
23	2	9570-0001-00	Vinkellänk As8 Din 71802M5	Elbow Link	
24	2	9739-0531-22	Mutter	Nut	
25	2	9747-0531-02	Mutter	Nut	
27	1	1134-6317-01	Wirefäste	Wire Bracket	
28	2	9959-0620-16	Skruv	Screw	
29	2	9739-0631-22	Strålkastare   Mutter	Working lamp   Nut	
30	1	1134-3395-01	Fäste 24 (5-01)	Attachment	
31	2	9959-0820-16	Skruv	Screw	
32	2	9739-0831-22	Mutter	Nut	
33	1	1134-2021-01	Växelwirefäste	Clamp	
34	1	1134-5353-01	Bromsstång	Brake Rod	
36	1	1134-2786-01	Knopp	Knob	
37	1	1131-1497-01	Fjäder	Brake Spring	
38	1	1134-4002-01	Fäste	Brake Rod Attachment	
39	3	9838-9516-12	Skruv	Screw	
43	2	1134-6340-02	Fotstöd (5-01)	Foot Rest	
44	4	9959-0620-16	Skruv	Screw	
45	4	9739-0631-22	Strålkastare   Mutter	Working lamp   Nut	

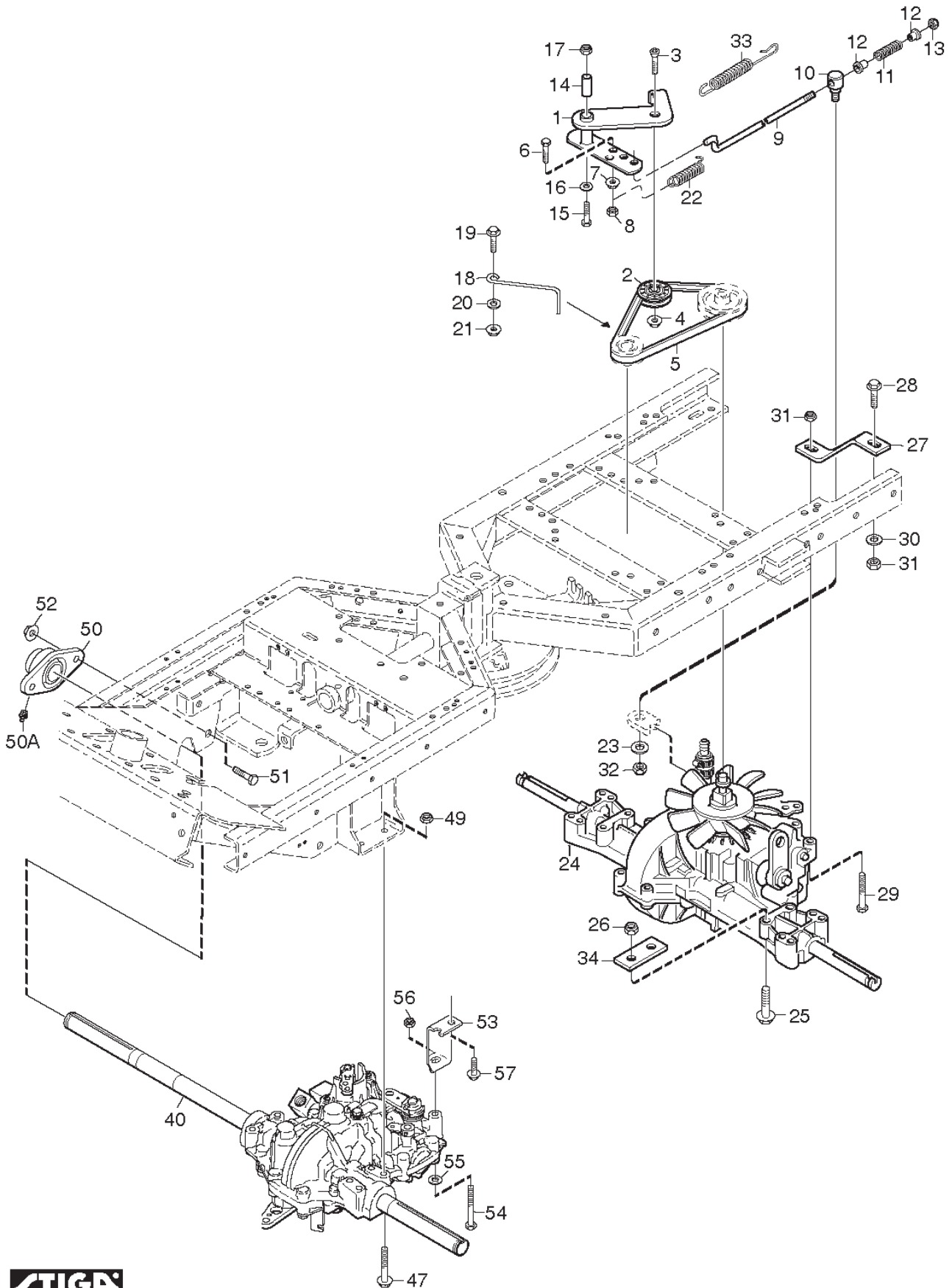


Utgåva Issue 43 - 2014		Elutrustning		El.equipment	
Pos. Fig.	Antal Quantity	Art nr Part No	Benämning	Description	Anmärkning Notes
1	1	1134-5751-01	Batteri	Battery	
2	1	1134-5994-01	Batteribyggel	Battery Loop	
3	1	1134-5995-01	Batteribyggel	Battery Loop	
4	1	1134-4481-02	Vingmutter	Wing Nut	
5	1	9747-0631-02	Mutter   Låsmutter	Nut	
6	1	1134-2962-01	Solenoid Kpl Service	Solenoid	Inkl. pos 7
7	2	9794-5131-02	Mutter	Nut	
8	2	9852-8013-16	Skruv	Screw	
9	2	9699-0060-02	Bricka	Washer	
10	1	1134-4970-02	Kabel	Cable	
11	1	1134-3491-01	Säkringshållare	Fuse Holder	
12	1	1134-3496-07	Säkring (30A Grön)	Fuse (30A)	30A
12	1	1134-3496-06	Säkring 20 Amp Gul	Fuse (20A)	20A
12	1	1134-3496-01	Säkring   Sakring 10A   Säkring 10A Röd	Fuse   Fuse 10A   Fuse (10A)	10A
13	1	1134-3631-01	Lock (5-01)	Cover-Fuse Holder	
14	1	1134-3399-02	Brytare	Switch	
15	2	9943-0516-16	Skruv	Screw	
19	1	1134-7535-01	Honkontakt	Female Connector	
21	2	9840-7716-16	Skruv	Screw	
22	1	1134-0234-02	Batterikabel (+)	Battery Cable (+)	
23	1	1134-2310-01	Batteriskydd	Guard Cap (+)	
24	2	9579-0018-01	Buntband L390	Cable	L=390
24	5	9579-0003-00	Buntband	Cable Holder	
27	1	1137-0075-01	Fäste	Attachment 2010	
28	1	9959-0820-16	Skruv	Screw	
29	1	9739-0831-22	Mutter	Nut	
33	2	9400-0358-01	Led-Lampa	Led-Lamp	
34	1	1134-7505-01	Kabelhärva	Wiring harness	
40	1	1134-6441-01	Kabelhärva	Wiring harness	B&S

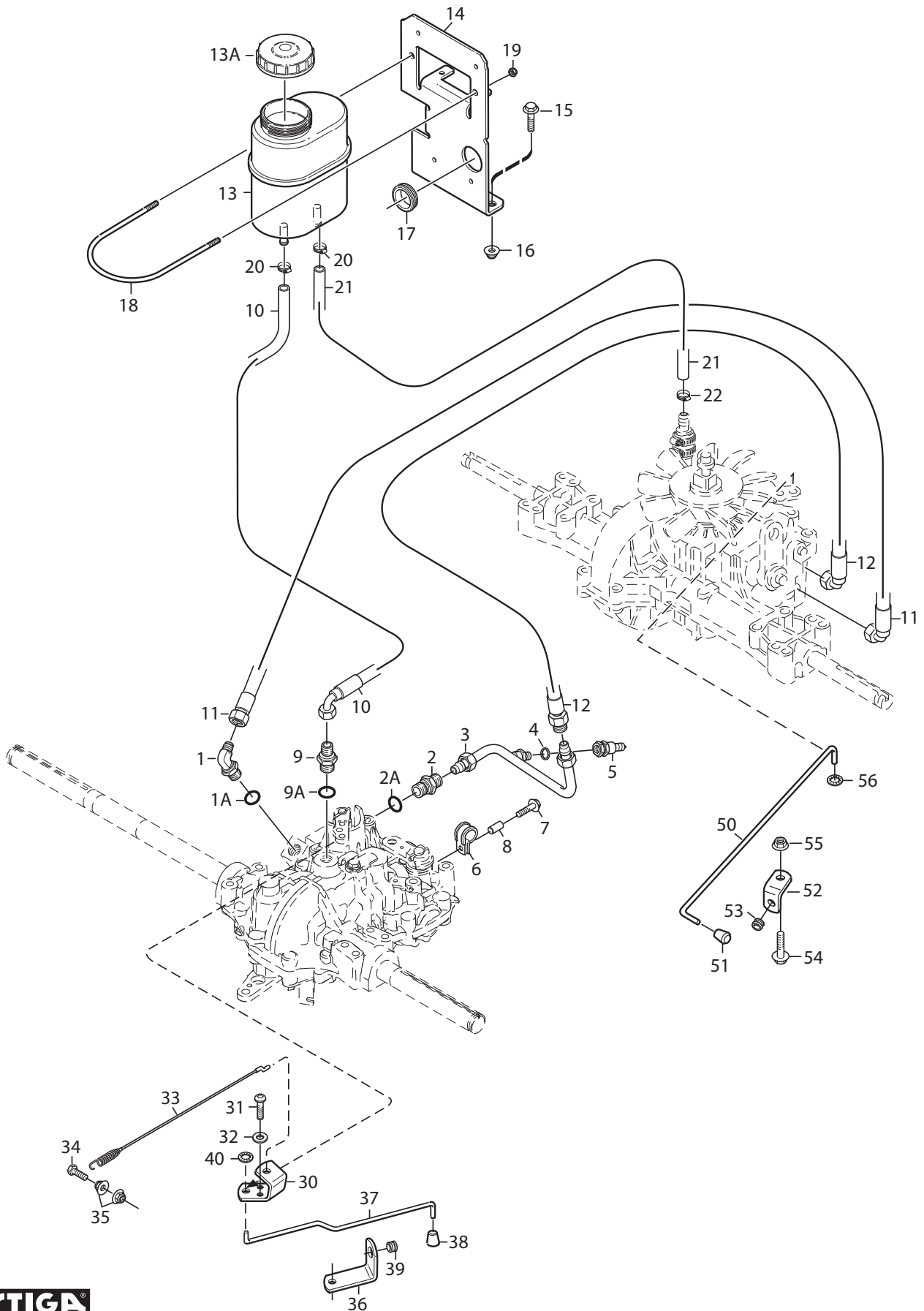




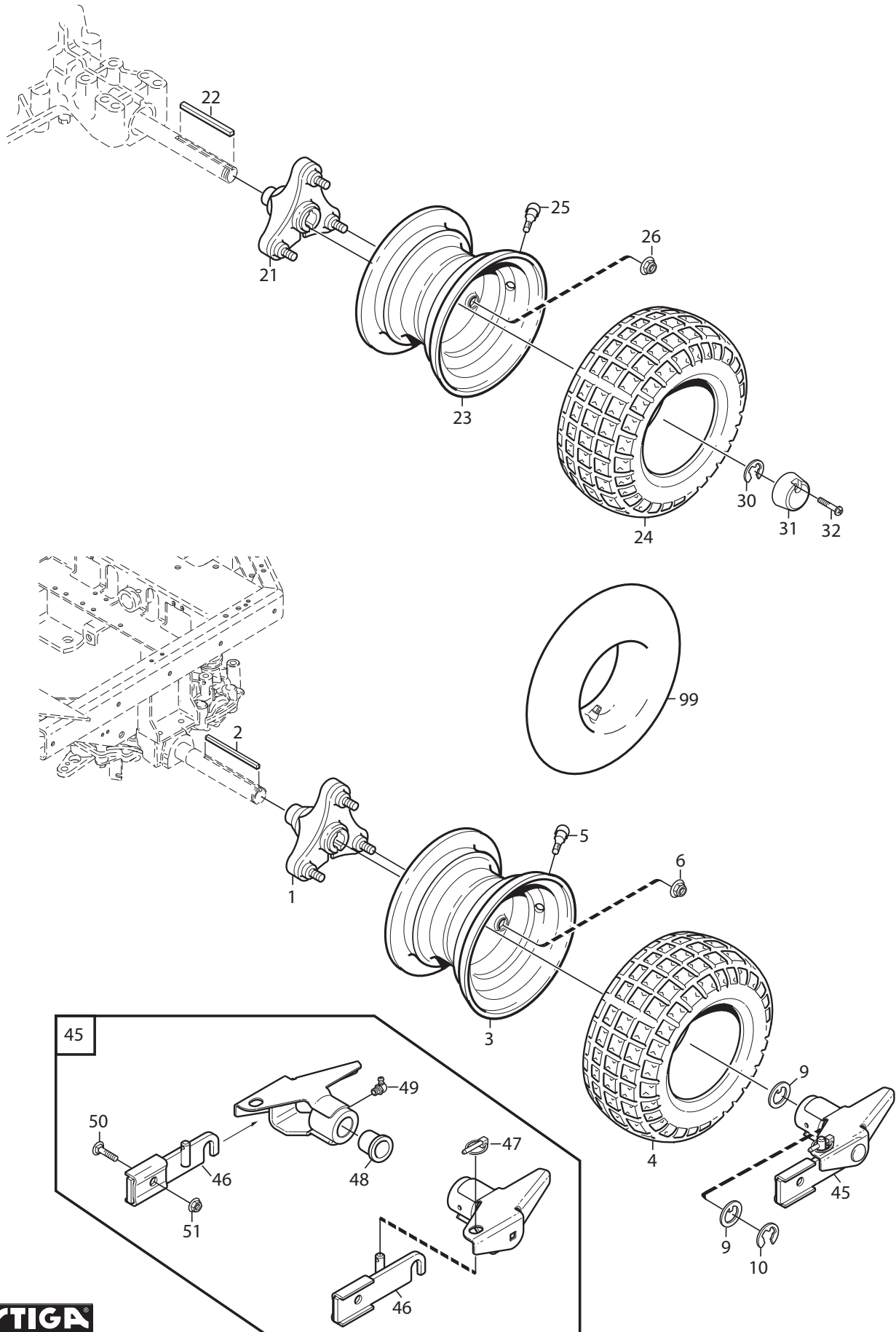
Utgåva Issue 43 - 2014		Motor	Engine		
Pos. Fig.	Antal Quantity	Art nr Part No	Benämning	Description	Anmärkning Notes
2	4	9955-3725-16	Skruv	Screw	
3	1	1134-6339-01	Grenrör	Exhaust Pipe	
4	1	9578-0011-01	Rörklämma 38	Tube Clamp	
5	1	1134-6024-01	Ljuddämpare Kpl	Muffler Assy	
6	1	9959-0820-16	Skruv	Screw	
7	1	9739-0831-22	Mutter	Nut	
8	1	1134-5827-04	Oljeavtappning Kpl	Oil Drain Assy	Inkl. pos 9 - 12
9	1	1134-5825-01	Nippel	Nipple	
10	1	9578-0023-04	Slangklämma 15*8 (Vit)	Hose Clamp	
11	1	1134-3499-02	Slangklämma	Hose Clamp	
12	1	1134-5826-01	Plugg	Plug	
13	1	1137-0007-01	Motorremskiva	Engine Pulley	Ī = 85 mm
14	1	1137-0082-01	Motorremskiva	Engine Pulley	Ī = 139 mm
15	1	9600-0251-01	Kil	Key	
16	1	1134-5017-01	Bricka	Washer	
17	1	9987-5332-16	Skruv	Screw	
18	1	1134-5938-01	Bränsletank	Fuel Tank	
19	1	1134-5532-01	Tanklock	Fuel Tank Cap	
20	1	1134-3224-01	Bensinkran	Fuel Shut-Off Valve	
21	1	1134-3225-01	Gummibussning	Grommet	
22	1	9505-0001-01	Bränsleslang	Fuel Tube	Per meter
23	1	9578-0023-02	Slangklämma D12*8 (Svart)	Hose Clamp	
24	1	9578-0023-02	Slangklämma D12*8 (Svart)	Hose Clamp	
25	1	1134-5942-01	Tankbygel	Tank Loop	
26	1	1134-5996-01	Tankbygel	Tank Loop	
27	1	1134-4481-02	Vingmutter	Wing Nut	
28	1	9747-0631-02	Mutter   Låsmutter	Nut	
29	1	9579-0003-00	Buntband	Cable Holder	
30	1	9852-8013-16	Skruv	Screw	
32	4	9939-0820-16	Skruv	Screw	
42	1	1134-0994-02	Rörklammer	Tube Clamp	
50	1	1134-6234-01	Deflektor	Heat Deflector	
51	2	9943-0516-16	Skruv	Screw	
52	1	1134-6251-01	Deflektor	Heat Deflector	
53	4	9959-0612-16	Skruv	Screw	
54	4	9739-0631-22	Strålkastare   Mutter	Working lamp   Nut	



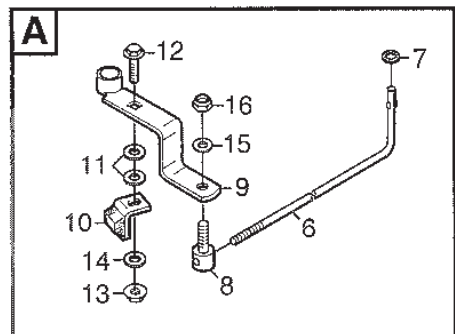
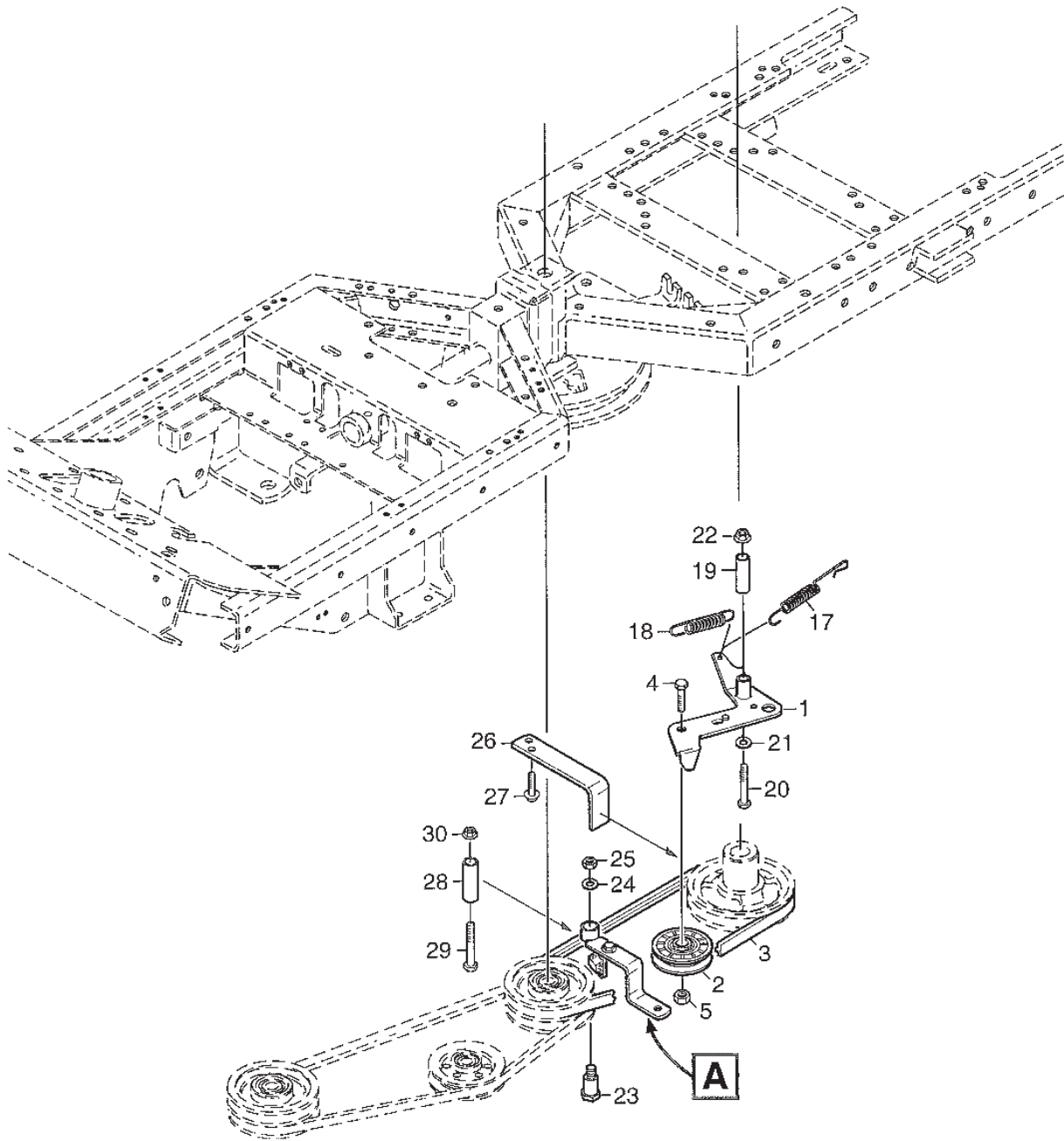
Utgåva Issue 43 - 2014		Transmission		Transmission	
Pos. Fig.	Antal Quantity	Art nr Part No	Benämning	Description	Anmärkning Notes
1	1	1134-4000-02	Spännarm Kpl 15	Tension Arm	
2	1	1134-3459-01	Spännrulle	Tension Roller	
3	1	9924-1035-16	Skruv	Screw	
4	1	9799-1031-02	Mutter	Nut	
5	1	1134-9058-01	Kilrem	V-Belt	= 9585-0091-01
6	1	9997-0625-16	Skruv	Screw	
7	1	9739-0631-22	Strålkastare   Mutter	Working lamp   Nut	
8	1	9747-0631-02	Mutter   Låsmutter	Nut	
9	1	1134-3377-02	Reglagestång	Control Rod	
10	1	1134-4171-01	Ledtapp	Pivot Pin	
11	1	1134-4183-01	Fjäder	Spring	
12	2	1134-3456-01	Bussning	Bushing	
13	1	9747-0631-02	Mutter   Låsmutter	Nut	
14	1	1134-1565-08	Distans	Spacer	
15	1	9997-0870-16	Skruv	Screw	
16	1	9699-0056-02	Bricka	Washer	
17	1	9747-0831-02	Mutter   Låsmutter	Nut	
18	1	1134-3289-02	Remstyrning	Belt Guide	
19	1	9959-0820-16	Skruv	Screw	
20	1	9699-0056-02	Bricka	Washer	
21	1	9739-0831-22	Mutter	Nut	
22	1	1134-6414-01	Fjäder	Spring	
23	1	9699-0060-02	Bricka	Washer	
25	4	9960-0860-12	Skruv	Screw	
26	4	9747-0831-02	Mutter   Låsmutter	Nut	
27	1	1134-3913-01	Reaktionsstag 5-01 F24	Strut	
28	1	9959-0825-16	Skruv	Screw	
29	1	9997-0845-12	Skruv	Screw	
30	1	9699-0090-02	Bricka	Washer	
31	2	9747-0831-02	Mutter   Låsmutter	Nut	
32	1	9747-0631-02	Mutter   Låsmutter	Nut	
33	1	4231-0013-00	Fjäder	Spring	
40	1	1134-6029-01	Motoraxel-Främre (Ktm10M)	Front Motor Unit (Ktm10M)	Kanzaki KTM 10M
47	2	9960-0860-12	Skruv	Screw	
49	2	9747-0831-02	Mutter   Låsmutter	Nut	
50	1	9501-0500-00	Smörjkopp Kort Rak	Grease Dispenser	
50	1	1134-5703-01	Flänslagerenhet	Flange Bearing Unit	
51	2	9997-1040-16	Skruv	Screw	
52	2	9731-1031-22	Mutter	Nut	
53	1	1134-5670-01	Reaktionsstag 5-01	Strut	
54	1	9997-0880-16	Skruv	Screw	
55	1	9699-0090-02	Bricka	Washer	
56	1	9747-0831-02	Mutter   Låsmutter	Nut	
57	2	9945-0816-16	Skruv	Screw	



Utgåva Issue 43 - 2014		Transmission		Transmission	
Pos. Fig.	Antal Quantity	Art nr Part No	Benämning	Description	Anmärkning Notes
1	1	1134-6044-01	Vinkeladapter	Hydraulic Angle Coupling	"3/4" x 9/16" "
1	1	9404-0029-01	O-Ring (16,36 X 2,21)	O-ring	
2	1	1134-5875-01	Skärringskoppling	Hydraulic Coupling	"3/4" "
2	1	9404-0029-01	O-Ring (16,36 X 2,21)	O-ring	
3	1	1134-6039-01	Hydraulrör Smst	Hydraulic Pipe Assy	
4	1	1134-4948-01	Bricka	Washer	"1/4" "
5	1	1134-6042-01	Snabbkoppling-Hane 1/4"	Quick Coupling-Male	
6	1	9578-0028-01	Rörklammer	Tube Clamp	
7	1	9959-0825-16	Skruv	Screw	
8	1	1134-1565-09	Distans	Spacer	
9	1	1134-5809-01	Adapter	Hydraulic Coupling	"3/4" x 9/16" "
9	1	9404-0029-01	O-Ring (16,36 X 2,21)	O-ring	
10	1	1137-0215-04	Hydraulslang	Hydraulic Hose	L = 1400 mm
11	1	1137-0195-01	Hydraulslang	Hydraulic Hose	L = 1275 mm
12	1	1137-0212-01	Hydraulslang	Hydraulic Hose	L = 1210 mm
13	1	1134-6011-01	Hydraultank Kpl	Hydraulic Oil Tank Assy	
13	1	1137-0272-01	Tanklock	Tank Cap	
14	1	1134-5941-01	Tankkonsol 5-01	Tank Bracket	
15	2	9959-0820-16	Skruv	Screw	
16	2	9739-0831-22	Mutter	Nut	
17	1	1134-3203-01	Kabelgenomföring	Grommet	
18	1	1134-5943-01	Tankbygel	Tank Loop	
19	2	9747-0631-02	Mutter   Låsmutter	Nut	
21	1	1134-2779-02	Slang	Tube	L = 260 mm
22	1	9578-0023-04	Slangklämma 15*8 (Vit)	Hose Clamp	15*8
30	1	1134-6162-01	Fäste	Bracket	
31	2	9939-0612-16	Skruv	Screw	
32	2	9699-0025-02	Bricka	Washer	
33	1	1134-6163-01	Wire (By-Pass Urkoppling)	Wire	
34	1	9997-0835-12	Skruv	Screw	
35	2	9739-0831-22	Mutter	Nut	
36	1	1134-6084-01	Reglagekonsol	Control Bracket	
37	1	1134-6083-01	Reglagestång	Control Rod	
38	1	1134-4014-01	Plastknopp	Knob	
39	1	1134-2790-01	Kabelgenomföring	Cable Protection	
40	1	9675-0009-02	Starlockbricka	Starlock	
50	1	1134-4015-01	Dragstång	Pull Rod	
51	1	1134-4014-01	Plastknopp	Knob	
52	1	1134-4713-01	Vinkelfäste	Angle Bracket	
53	1	1134-2790-01	Kabelgenomföring	Cable Protection	
54	1	9959-0820-16	Skruv	Screw	
55	1	9739-0831-22	Mutter	Nut	
56	1	9675-0009-02	Starlockbricka	Starlock	

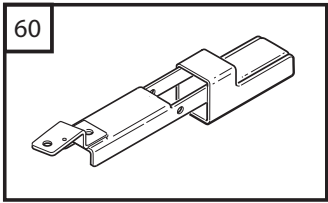
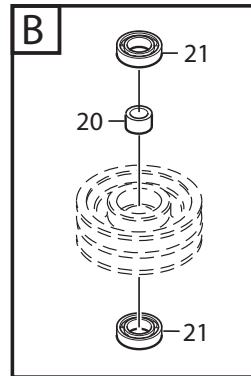
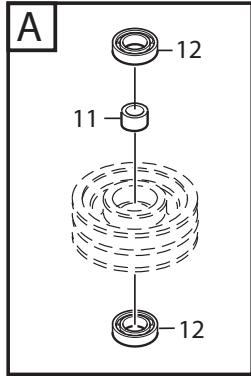
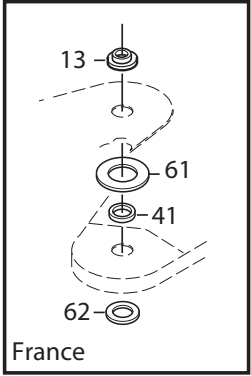
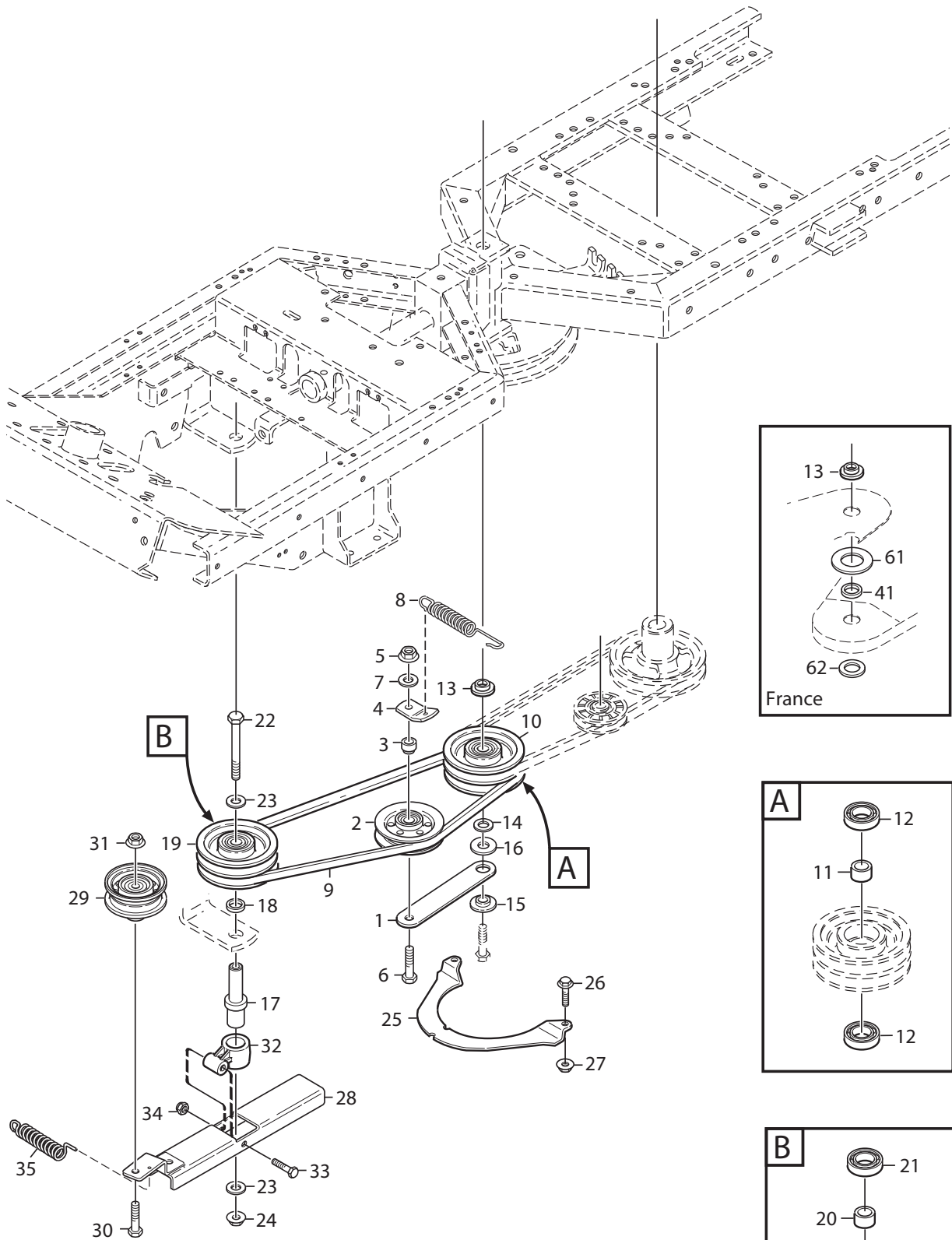


Utgåva Issue 43 - 2014		Hjul	Wheels		
Pos. Fig.	Antal Quantity	Art nr Part No	Benämning	Description	Anmärkning Notes
1	2	1134-4844-03	Hjulnav Kpl	Wheel Hub Assy	
2	2	1134-3383-02	Kil	Key	
3	2	1134-4558-01	Fälg	Rim	
4	2	9545-0116-00	Däck	Tyre	16 x 7.50 - 8
5	2	9545-0500-00	Ventil	Valve Assy.	
6	6	9731-1031-22	Mutter	Nut	
9	4	1134-5797-01	Bricka	Washer	
10	2	9653-0002-04	Spärryttare	Lock Ring	
21	2	1134-4844-02	Hjulnav Kpl	Wheel Hub Assy	
22	2	1134-2471-01	Kil	Key	
23	2	1134-4558-01	Fälg	Rim	
24	2	9545-0116-00	Däck	Tyre	16 x 7.50 - 8
25	2	9545-0500-00	Ventil	Valve Assy.	
26	6	9731-1031-22	Mutter	Nut	
30	2	9653-0001-04	Spärryttare Rs	Lock Ring	
31	2	1134-4796-01	Navkapsel	Hub Cap	
32	2	9947-0540-19	Skruv	Screw	
45	1	13-0993-61	Rac Snabbfäste 4Wd Park	Rac Quick Connection 4Wd	Inkl. pos 9,10,46-51
46	1	1134-7465-01	Sats-Fästen (Vä+Hö Inkl Skruv)	Attachment Kit	Inkl. pos 50-51
47	2	1137-0077-01	Låssprint	Locking Pin	
48	4	1134-5686-01	Bussning	Bearing	
49	2	9501-0502-00	Smörjnippel	Grease Joint	
50	2	9898-1035-16	Skruv	Screw	
51	2	9739-1031-22	Mutter	Nut	
99	1	9545-0203-00	Innerslang	Inner Tube	Reservdel/spare part





Utgåva Issue 43 - 2014		Kraftuttag Power take-off			
Pos. Fig.	Antal Quantity	Art nr Part No	Benämning	Description	Anmärkning Notes
1	1	1134-2018-02	Spännarm Kpl	Tension Arm	
2	1	1134-9027-01	Spännrulle (Svart)	Tension Roller (Black)	Grey
2	1	1134-9027-02	Spännrulle (Grå)	Tension Roller (Grey)	Black
3	1	1134-9071-01			= 9585-0129-01
4	1	9997-1030-16	Skruv	Screw	
5	1	9799-1031-02	Mutter	Nut	
6	1	1134-4162-01	Bromsstång	Brake Rod	
7	1	9675-0008-02	Starlockbricka	Starlock	
8	1	1134-4170-01	Nippel	Nippel	
9	1	1134-4111-01	Bromsarm Kpl	Brake Arm	
10	1	1134-4164-03	Bromsklots	Brake Pad	
11	2	9699-0035-02	Bricka	Washer	
12	1	9897-0825-16	Skruv	Screw	
13	1	9747-0831-02	Mutter   Låsmutter	Nut	
14	1	9699-0090-02	Bricka	Washer	
15	1	9699-0025-02	Bricka	Washer	
16	1	9747-0631-02	Mutter   Låsmutter	Nut	
17	1	4231-0013-00	Fjäder	Spring	
18	1	1134-4231-01	Fjäder	Brake Spring	
19	1	1134-1565-10	Distans	Spacer	
20	1	9997-0860-16	Skruv	Screw	M6S M8x65
20	1	9997-0865-12	Skruv	Screw	M6S M8x60
21	1	9699-0056-02	Bricka	Washer	
22	1	9739-0831-22	Mutter	Nut	
23	1	1134-4163-01	Ansatskruv	Shoulder Bolt	
24	1	9699-0035-02	Bricka	Washer	
25	1	9739-1031-22	Mutter	Nut	
26	1	1134-3958-01	Remstyrning	Belt Guide	
27	2	9893-0616-16	Skruv   Relä	Screw   Relay	
28	1	1134-0041-03	Bussning	Bushing	
29	1	9997-1070-12	Skruv	Screw	
30	1	9739-1031-22	Mutter	Nut	



Utgåva Issue 43 - 2014		Kraftuttag Power take-off			
Pos. Fig.	Antal Quantity	Art nr Part No	Benämning	Description	Anmärkning Notes
1	1	1134-1730-01	Spännhjularm	Tensioning Wheel Arm	
2	1	1134-3663-01	Remskiva	Tension Wheel	
3	1	1134-1888-05	Distans	Spacer	
4	1	1134-1893-01	Fjäder	Spring	
5	1	9739-1031-22	Mutter	Nut	
6	1	9997-1060-12	Skruv	Screw	
7	1	9699-0035-02	Bricka	Washer	
8	1	1134-5713-01	Fjäder	Spring	
9	1	1134-9098-01	Drivrem	Drive Belt	9585-0148-01
10	1	1137-0004-01	Centrumremskiva Smst	Centre Pulley Assy	Inkl. pos 11-12
11	1	1134-0051-09	Distans	Spacer	
12	2	9549-0019-00	Kullager	Ball Bearing	
13	1	1134-5548-01	Distans	Spacer	
14	1	9699-0035-02	Bricka	Washer	
15	1	1134-0222-00	Bricka	Washer	
16	1	9699-0109-02	Bricka	Washer	
17	1	1134-5663-01	Axel	Shaft	
18	1	1134-0052-00	Distans	Spacer	
19	1	1137-0004-01	Centrumremskiva Smst	Centre Pulley Assy	Inkl. pos 20-21
20	1	1134-0051-09	Distans	Spacer	
21	2	9549-0019-00	Kullager	Ball Bearing	
22	1	9997-1011-06	Skruv	Screw	
23	2	9699-0030-02	Bricka	Washer	
24	1	9739-1031-22	Mutter	Nut	
25	1	1134-3654-01	Fingerskydd 5-01 24	Guard	
26	2	9959-0612-16	Skruv	Screw	
27	2	9739-0631-22	Strålkastare   Mutter	Working lamp   Nut	
28	1	1134-5660-01	Spännarm Kpl 5-01	Tension Arm Assy	
29	1	1134-5823-01	Spännrulle Kpl	Tension Roller Assy	
30	1	9997-1050-16	Skruv	Screw	
31	1	9739-1031-22	Mutter	Nut	
32	1	1134-6314-01	Spännarmsfäste	Tension Arm Attachment	
33	1	9997-0645-12	Skruv	Screw	
34	1	9747-0631-02	Mutter   Låsmutter	Nut	
35	1	1134-5824-01	Fjäder	Spring	
60	1	1137-0386-01	Spännarm 5-01	Tension Arm	France
61	1	1137-0353-01	Bricka	Washer	26x50x2 mm
62	1	9699-0104-02	Bricka	Washer	17x30x3 mm



code	pos.	q.ty	page
13-0993-61	45	1	p. 31
	31	1	p. 3
1131-1497-01	37	1	p. 21
1134-0031-00	3	1	p. 9
1134-0041-01	26	2	p. 15
1134-0041-02	11	2	p. 15
1134-0041-03	28	1	p. 33
1134-0046-00	27	2	p. 15
1134-0051-09	11	1	p. 35
1134-0051-09	20	1	p. 35
1134-0052-00	18	1	p. 35
1134-0222-00	15	1	p. 35
1134-0234-02	22	1	p. 23
1134-0240-00	11	1	p. 19
1134-0240-00	16	2	p. 11
1134-0240-00	18	2	p. 13
1134-0240-00	26	2	p. 9
1134-0994-02	42	1	p. 25
1134-1305-03	34	1	p. 15
1134-1565-06	13	1	p. 13
1134-1565-06	56	1	p. 15
1134-1565-08	14	1	p. 27
1134-1565-08	41	2	p. 13
1134-1565-09	8	1	p. 29
1134-1565-10	19	1	p. 33
1134-1730-01	1	1	p. 35
1134-1888-05	3	1	p. 35
1134-1893-01	4	1	p. 35
1134-1901-01	35	2	p. 15
1134-2018-02	1	1	p. 33
1134-2021-01	33	1	p. 21
1134-2310-01	23	1	p. 23
1134-2471-01	22	2	p. 31
1134-2551-01	19	1	p. 19
1134-2684-01	2	2	p. 11
1134-2700-01	15	2	p. 21
1134-2766-05	22	1	p. 21
1134-2779-02	21	1	p. 29
1134-2786-01	36	1	p. 21
1134-2790-01	39	1	p. 29
1134-2790-01	53	1	p. 29
1134-2816-01	10	2	p. 15
1134-2816-01	18	4	p. 15
1134-2824-02	7	12	p. 15
1134-2837-03	42	1	p. 15
1134-2962-01	6	1	p. 23
1134-3156-01	8	1	p. 13
1134-3156-02	9	1	p. 13
1134-3203-01	17	1	p. 29
1134-3224-01	20	1	p. 25
1134-3225-01	21	1	p. 25
1134-3262-01	3	1	p. 13
1134-3289-02	18	1	p. 27
1134-3377-02	9	1	p. 27
1134-3383-02	2	2	p. 31
1134-3395-01	30	1	p. 21
1134-3399-02	14	1	p. 23
1134-3456-01	12	2	p. 27
1134-3459-01	2	1	p. 27
1134-3491-01	11	1	p. 23
1134-3496-01	12	1	p. 23
1134-3496-06	12	1	p. 23
1134-3496-07	12	1	p. 23
1134-3499-02	11	1	p. 25
1134-3547-01	25	3	p. 15
1134-3550-01	5	1	p. 15

1134-3550-02	5	1	p. 15
1134-3565-01	6	4	p. 15
1134-3573-03	20	1	p. 19
1134-3631-01	13	1	p. 23
1134-3654-01	25	1	p. 35
1134-3663-01	2	1	p. 35
1134-3752-01	54	1	p. 15
1134-3769-01	53	1	p. 15
1134-3817-01	15	1	p. 15
1134-3817-02	15	1	p. 15
1134-3913-01	27	1	p. 27
1134-3958-01	26	1	p. 33
1134-3963-02	2	1	p. 9
1134-3970-02	26	1	p. 5
1134-3970-05	25	1	p. 5
1134-3979-01	18	1	p. 5
1134-3990-01	34	1	p. 13
1134-4000-02	1	1	p. 27
1134-4002-01	38	1	p. 21
1134-4012-03	15	1	p. 7
1134-4012-04	16	1	p. 7
1134-4014-01	38	1	p. 29
1134-4014-01	51	1	p. 29
1134-4015-01	50	1	p. 29
1134-4065-01	5	1	p. 19
1134-4072-01	18	1	p. 19
1134-4077-01	9	1	p. 19
1134-4078-01	10	1	p. 19
1134-4079-01	6	1	p. 19
1134-4080-03	7	1	p. 19
1134-4093-01	36	1	p. 19
1134-4100-01	25	2	p. 9
1134-4111-01	9	1	p. 33
1134-4117-01	1	1	p. 11
1134-4130-01	37	1	p. 13
1134-4154-01	34	1	p. 19
1134-4156-01	1	1	p. 19
1134-4162-01	6	1	p. 33
1134-4163-01	23	1	p. 33
1134-4164-03	10	1	p. 33
1134-4170-01	8	1	p. 33
1134-4171-01	10	1	p. 27
1134-4176-01	4	2	p. 5
1134-4176-01	12	2	p. 5
1134-4183-01	11	1	p. 27
1134-4231-01	18	1	p. 33
1134-4242-01	12	2	p. 19
1134-4242-01	27	2	p. 9
1134-4256-01	31	1	p. 13
1134-4360-01	17	1	p. 5
1134-4481-02	4	1	p. 23
1134-4481-02	27	1	p. 25
1134-4481-02	66	1	p. 17
1134-4558-01	3	2	p. 31
1134-4558-01	23	2	p. 31
1134-4620-02	19	2	p. 13
1134-4713-01	52	1	p. 29
1134-4734-01	10	2	p. 3
1134-4749-01	39	1	p. 19
1134-4796-01	31	2	p. 31
1134-4800-01	21	1	p. 7
1134-4801-01	24	1	p. 7
1134-4817-01	12	2	p. 15
1134-4844-02	21	2	p. 31
1134-4844-03	1	2	p. 31
1134-4938-01	17	1	p. 11
1134-4945-01	3	1	p. 11

1134-4948-01	4	1	p. 29
1134-4970-02	10	1	p. 23
1134-5017-01	16	1	p. 25
1134-5173-02	52	1	p. 15
1134-5177-01	64	1	p. 17
1134-5179-01	16	1	p. 13
1134-5299-01	11	1	p. 13
1134-5302-01	10	1	p. 13
1134-5353-01	34	1	p. 21
1134-5358-01	21	1	p. 19
1134-5512-01	13	1	p. 3
1134-5532-01	19	1	p. 25
1134-5548-01	13	1	p. 35
1134-5651-01	9	4	p. 15
1134-5652-01	8	2	p. 15
1134-5653-01	19	4	p. 15
1134-5655-01	1	1	p. 21
1134-5660-01	28	1	p. 35
1134-5663-01	17	1	p. 35
1134-5670-01	53	1	p. 27
1134-5676-01	24	1	p. 9
1134-5677-02	3	1	p. 21
1134-5686-01	48	4	p. 31
1134-5698-01	30	1	p. 13
1134-5703-01	50	1	p. 27
1134-5705-01	8	1	p. 9
1134-5713-01	8	1	p. 35
1134-5751-01	1	1	p. 23
1134-5797-01	9	4	p. 31
1134-5809-01	9	1	p. 29
1134-5823-01	29	1	p. 35
1134-5824-01	35	1	p. 35
1134-5825-01	9	1	p. 25
1134-5826-01	12	1	p. 25
1134-5827-04	8	1	p. 25
1134-5875-01	2	1	p. 29
1134-5938-01	18	1	p. 25
1134-5941-01	14	1	p. 29
1134-5942-01	25	1	p. 25
1134-5943-01	18	1	p. 29
1134-5944-01	19	1	p. 9
1134-5988-01	11	1	p. 9
1134-5994-01	2	1	p. 23
1134-5995-01	3	1	p. 23
1134-5996-01	26	1	p. 25
1134-6005-01	7	1	p. 21
1134-6011-01	13	1	p. 29
1134-6024-01	5	1	p. 25
1134-6025-01	1	1	p. 7
1134-6026-01	6	1	p. 7
1134-6027-01	7	1	p. 7
1134-6027-02	8	1	p. 7
1134-6029-01	40	1	p. 27
1134-6039-01	3	1	p. 29
1134-6042-01	5	1	p. 29
1134-6044-01	1	1	p. 29
1134-6068-01	7	1	p. 13
1134-6073-01	4	1	p. 13
1134-6078-01	22	4	p. 13
1134-6083-01	37	1	p. 29
1134-6084-01	36	1	p. 29
1134-6090-01	2	1	p. 13
1134-6097-01	44	1	p. 19
1134-6113-02	17	1	p. 3
1134-6162-01	30	1	p. 29
1134-6163-01	33	1	p. 29
1134-6234-01	50	1	p. 25



code	pos.	q.ty	page			
9747-0631-02	13	1	p. 27	9945-0816-16	8	p. 5
9747-0631-02	16	1	p. 33	9945-0816-16	20	p. 9
9747-0631-02	19	2	p. 29	9945-0816-16	57	p. 27
9747-0631-02	28	1	p. 25	9946-0525-16	19	p. 5
9747-0631-02	32	1	p. 27	9946-0525-16	33	p. 19
9747-0631-02	34	1	p. 35	9946-0525-16	43	p. 5
9747-0831-02	12	1	p. 21	9947-0540-19	32	p. 31
9747-0831-02	13	1	p. 33	9950-0570-12	20	p. 5
9747-0831-02	14	1	p. 11	9955-3725-16	2	p. 25
9747-0831-02	14	1	p. 19	9959-0612-16	26	p. 35
9747-0831-02	15	1	p. 13	9959-0612-16	53	p. 25
9747-0831-02	17	1	p. 27	9959-0620-16	28	p. 21
9747-0831-02	17	2	p. 15	9959-0620-16	44	p. 21
9747-0831-02	26	4	p. 27	9959-0820-16	6	p. 25
9747-0831-02	29	2	p. 9	9959-0820-16	8	p. 19
9747-0831-02	31	2	p. 27	9959-0820-16	10	p. 21
9747-0831-02	43	6	p. 13	9959-0820-16	14	p. 3
9747-0831-02	49	2	p. 27	9959-0820-16	15	p. 29
9747-0831-02	56	1	p. 27	9959-0820-16	16	p. 21
9747-0831-02	58	1	p. 15	9959-0820-16	17	p. 7
9747-1231-02	33	1	p. 13	9959-0820-16	19	p. 27
9794-5131-02	7	2	p. 23	9959-0820-16	21	p. 9
9799-1031-02	4	1	p. 27	9959-0820-16	23	p. 13
9799-1031-02	5	1	p. 33	9959-0820-16	28	p. 23
9838-9516-12	39	3	p. 21	9959-0820-16	31	p. 21
9838-9516-12	41	2	p. 5	9959-0820-16	33	p. 5
9838-9516-12	46	2	p. 5	9959-0820-16	54	p. 29
9840-7716-16	21	2	p. 23	9959-0825-16	7	p. 29
9840-7716-16	24	2	p. 19	9959-0825-16	28	p. 27
9840-8013-16	28	2	p. 5	9959-1025-16	14	p. 9
9840-8013-16	38	4	p. 13	9960-0860-12	25	p. 27
9852-8013-16	8	2	p. 23	9960-0860-12	47	p. 27
9852-8013-16	22	2	p. 19	9987-5332-16	17	p. 25
9852-8013-16	30	1	p. 25	9997-0535-16	31	p. 7
9893-0616-16	2	4	p. 7	9997-0625-16	6	p. 27
9893-0616-16	3	2	p. 5	9997-0625-16	18	p. 11
9893-0616-16	5	1	p. 13	9997-0630-12	67	p. 17
9893-0616-16	11	6	p. 5	9997-0640-12	10	p. 11
9893-0616-16	18	2	p. 9	9997-0645-12	33	p. 35
9893-0616-16	20	3	p. 7	9997-0835-12	34	p. 29
9893-0616-16	23	4	p. 5	9997-0835-16	18	p. 21
9893-0616-16	23	4	p. 7	9997-0840-12	14	p. 13
9893-0616-16	26	2	p. 19	9997-0845-12	29	p. 27
9893-0616-16	27	2	p. 33	9997-0860-16	20	p. 33
9893-0616-16	27	4	p. 5	9997-0865-12	20	p. 33
9893-0616-16	28	4	p. 19	9997-0870-16	15	p. 27
9893-0616-16	41	2	p. 15	9997-0870-16	55	p. 15
9897-0616-16	29	2	p. 5	9997-0880-16	54	p. 27
9897-0820-16	2	2	p. 19	9997-1011-06	22	p. 35
9897-0820-16	13	1	p. 11	9997-1030-16	4	p. 33
9897-0820-16	32	4	p. 15	9997-1040-16	28	p. 15
9897-0820-16	35	2	p. 13	9997-1040-16	51	p. 27
9897-0820-16	42	4	p. 13	9997-1050-16	30	p. 35
9897-0825-16	12	1	p. 33	9997-1060-12	6	p. 35
9897-0880-12	40	2	p. 13	9997-1060-12	21	p. 15
9897-1060-12	23	2	p. 15	9997-1070-12	4	p. 21
9898-1035-16	18	2	p. 3	9997-1070-12	29	p. 33
9898-1035-16	50	2	p. 31			
9924-1035-16	3	1	p. 27			
9924-1235-19	32	1	p. 13			
9939-0612-16	31	2	p. 29			
9939-0820-16	32	4	p. 25			
9943-0516-16	15	2	p. 23			
9943-0516-16	17	1	p. 19			
9943-0516-16	30	2	p. 9			
9943-0516-16	51	2	p. 25			