



Reservdelskatalog Parts Catalogue

Park Compact 14

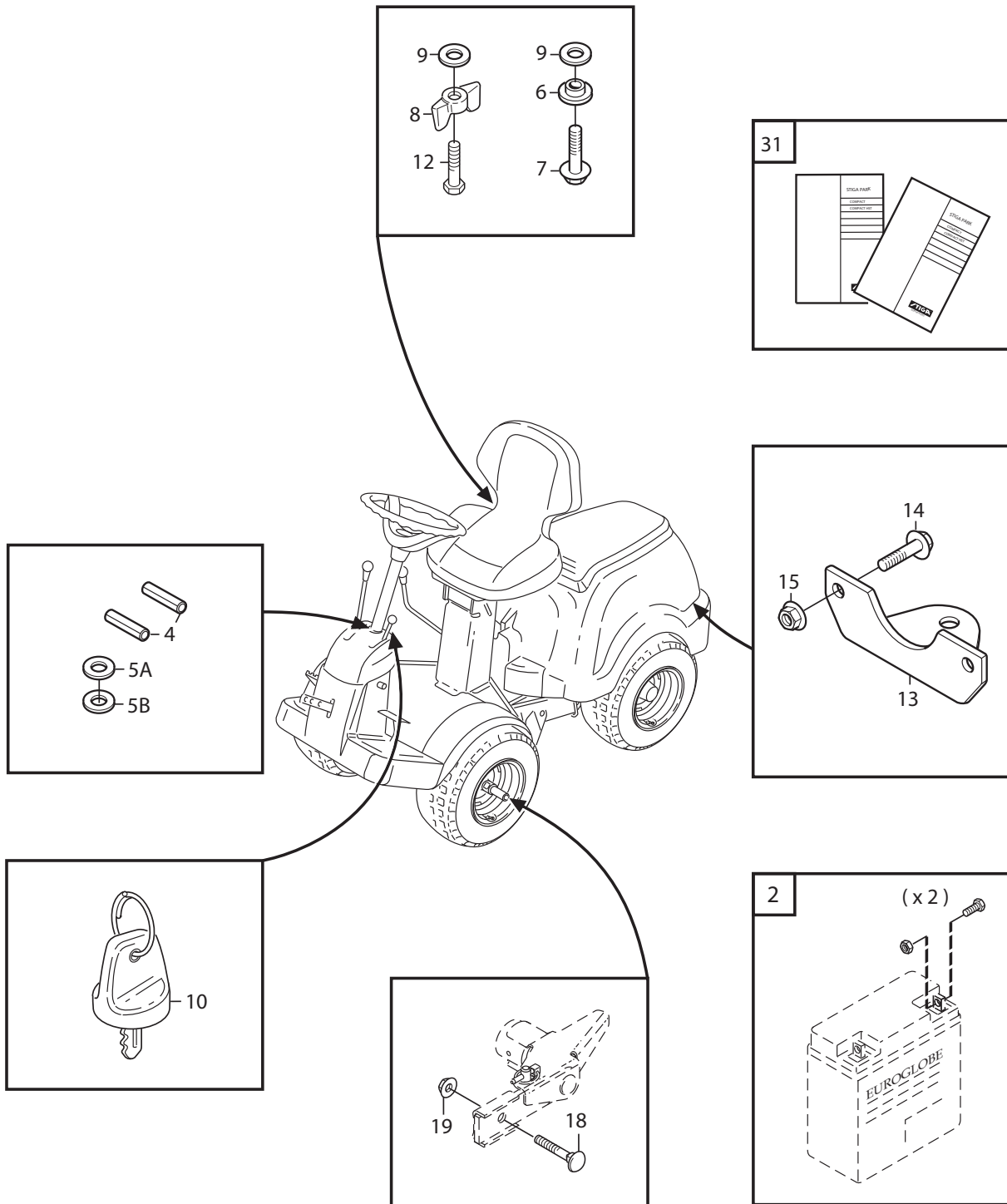
13-6102-22 - Season 2014

- Use GLOBAL GARDEN PRODUCT Genuine Spare Parts specified in the parts list for repair and/or replacement.
 - The contents described in the parts list may change due to improvement.
 - The drawings of the spare parts are only indicative and might not represent the part in question exactly.
 - The indications "right" - "left" - "front" - "rear" refer to the position of the operator when using the machine.
- When placing orders of parts for repair and/or replacement, make sure that the illustrated parts list is the one applying to the machine's year of manufacture, as shown on the identification plate attached to the machine.

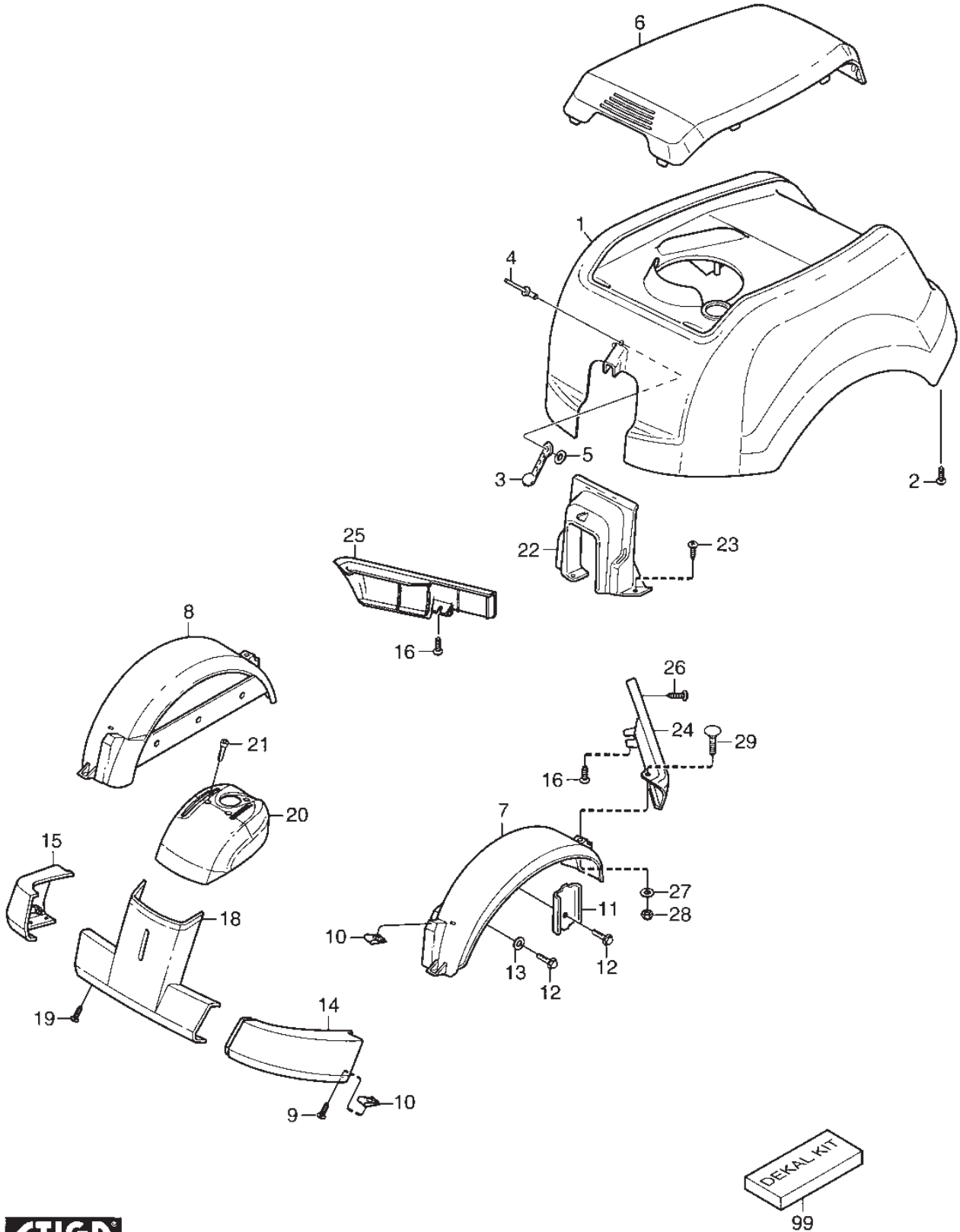
© Copyright 2014 Global Garden Products

All rights reserved. No part of this material may be reproduced or transmitted, in any form or by any means, electronic or mechanical, including photocopying, recording or by any information storage and retrieval system, without permission in writing from GLOBAL GARDEN PRODUCTS.

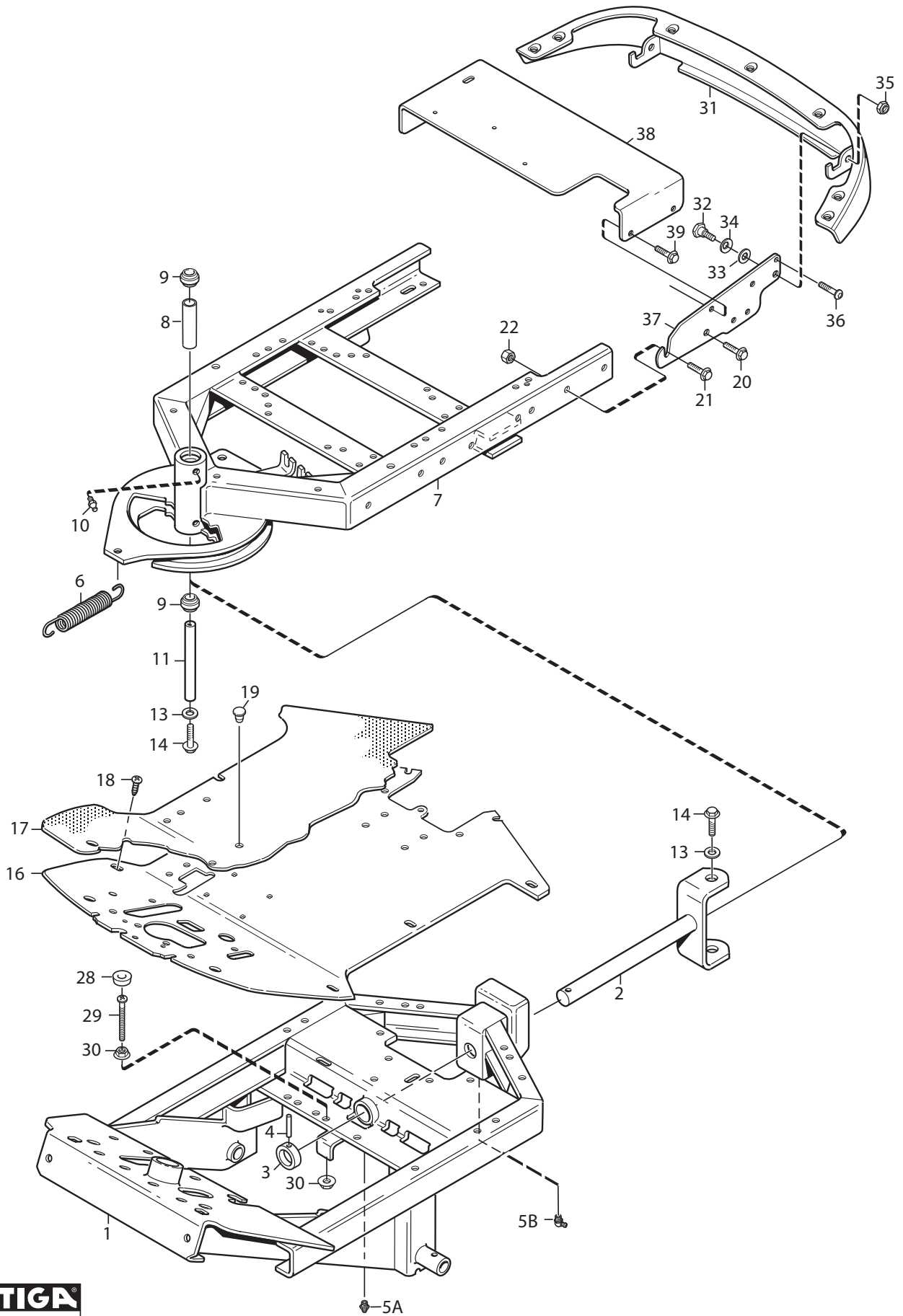
www.stiga.com



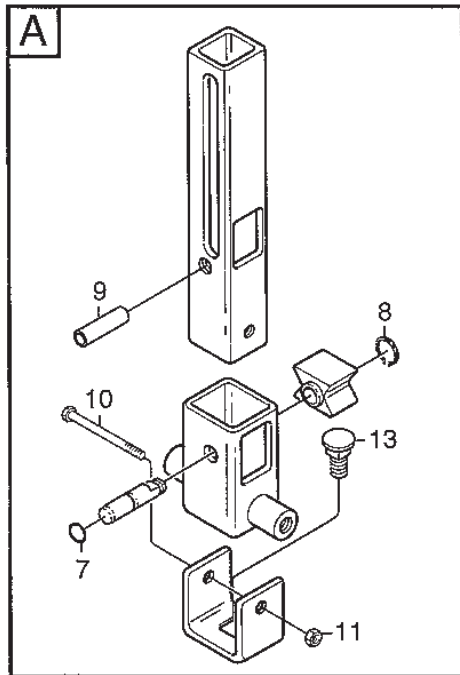
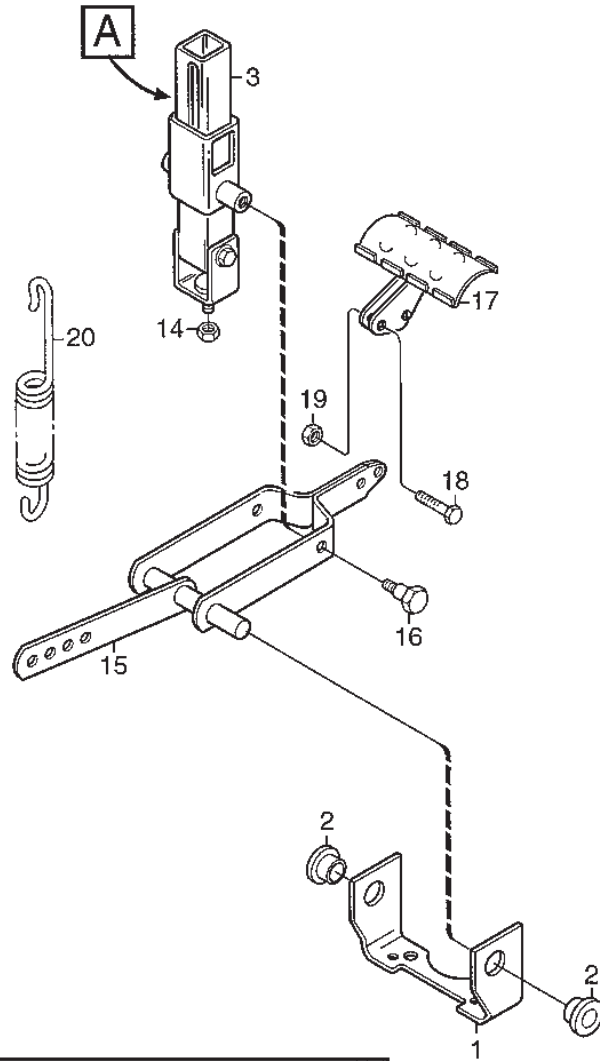
Utgåva Issue 43 - 2014		Monteringsdetaljer Assembly parts			
Pos. Fig.	Antal Quantity	Art nr Part No	Benämning	Description	Anmärkning Notes
2	1	1134-6113-01	Skruv	Screw	
4	2	9595-0262-00	Spännstift	Locating Pin	
5	1	9699-0114-02	Bricka	Washer	1.0 mm
5	1	9699-0103-02	Bricka	Washer	0.5 mm
6	2	1134-4185-01	Ansatsbricka	Flange Washer	
7	2	9959-0820-16	Skruv	Screw	
8	2	1134-4481-01	Vingmutter	Wing Nut	
9	4	9699-0056-02	Bricka	Washer	
10	2	1134-4734-01	Tändningsnyckel	Ignition Key	
12	2	9997-0820-16	Skruv	Screw	
13	1	1134-5512-01	Dragplåt5-01	Towing Plate	
14	2	9959-0820-16	Skruv	Screw	
15	2	9739-0831-22	Mutter	Nut	
18	2	9898-1035-16	Skruv	Screw	
19	2	9739-1031-22	Mutter	Nut	
31	1	8211-0701-91	Säkerhetsföreskrifter	Safety Regulations	
31	1	8211-0901-90	Servicebok	Service Book	
31	1	8211-0960-90	Garantikort	Warranty Card	



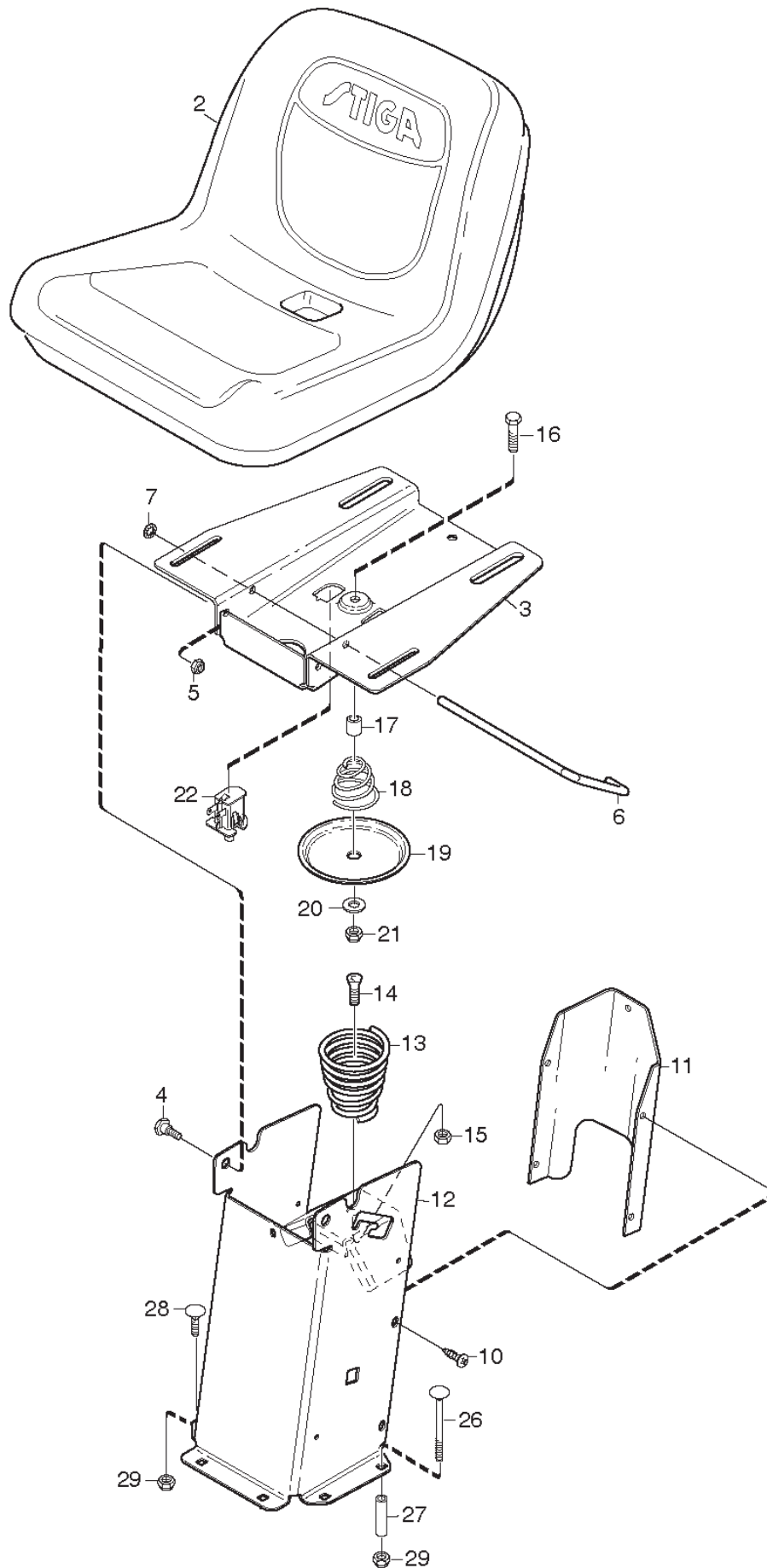
Utgåva Issue 43 - 2014		Kaross Body work			
Pos. Fig.	Antal Quantity	Art nr Part No	Benämning	Description	Anmärkning Notes
1	1	1134-5263-02	Motorhuv Gul	Engine Hood Yellow	
2	7	9838-9530-12	Skruv	Screw	
3	1	1134-9028-01	Gummistropp (3 St)	Rubber Strap (3 Pcs)	Sats 3 st/kit of 3
4	1	9632-0516-00	Popnit 9.5	Pop Rivet	
5	1	9699-0120-02	Bricka	Washer	
6	1	1134-5264-01	Motorlucka (Grå) 7-14	Engine Cover (Grey) 7-14	
7	1	1134-5308-01	Skärm-Vä (Grå) 7-14	Mudguard-Lh (Grey) 7-14	
8	1	1134-5308-02	Skärm-Hö (Grå) 7-14	Mudguard-Rh (Grey) 7-14	
9	4	9893-0616-16	Relä Skruv	Relay Screw	
10	4	1134-4176-01	Clips	Clips	
11	2	1134-0225-00	Stödplåt	Support Plate	
12	6	9945-0816-16	Skruv	Screw	
13	4	9699-0056-02	Bricka	Washer	
14	1	1134-5306-01	Stötfångare Front-Vä Grå	Bumper Front-Lh (Grey)	
15	1	1134-5306-02	Stötfångare Front-Hö Grå	Bumper Front-Rh (Grey)	
16	2	9893-0616-16	Relä Skruv	Relay Screw	
18	1	1134-5305-01	Front Nedre Gul	Lower Hood Yellow	
19	2	9893-0616-16	Relä Skruv	Relay Screw	
20	1	1134-5320-02	Front-Övre Hst Gul	Front Cover Yellow	
21	2	9946-0525-16	Skruv	Screw	
22	1	1134-6241-01	Huvstöd (Svart) 5-01	Hood Support	
23	3	9893-0616-16	Relä Skruv	Relay Screw	
24	1	1134-3970-05	Kantlist-Vä (Grå) 7-14	Moulding-Left (Grey)	
25	1	1134-3970-02	Kantlist-Hö (Grå) 7-14	Moulding Right-Grey	
26	2	9893-0616-16	Relä Skruv	Relay Screw	
27	2	9699-0060-02	Bricka	Washer	
28	2	9747-0631-02	Mutter Låsmutter	Nut	
29	2	9897-0616-16	Skruv	Screw	
99	1	1134-6440-02	Dekal	Label	



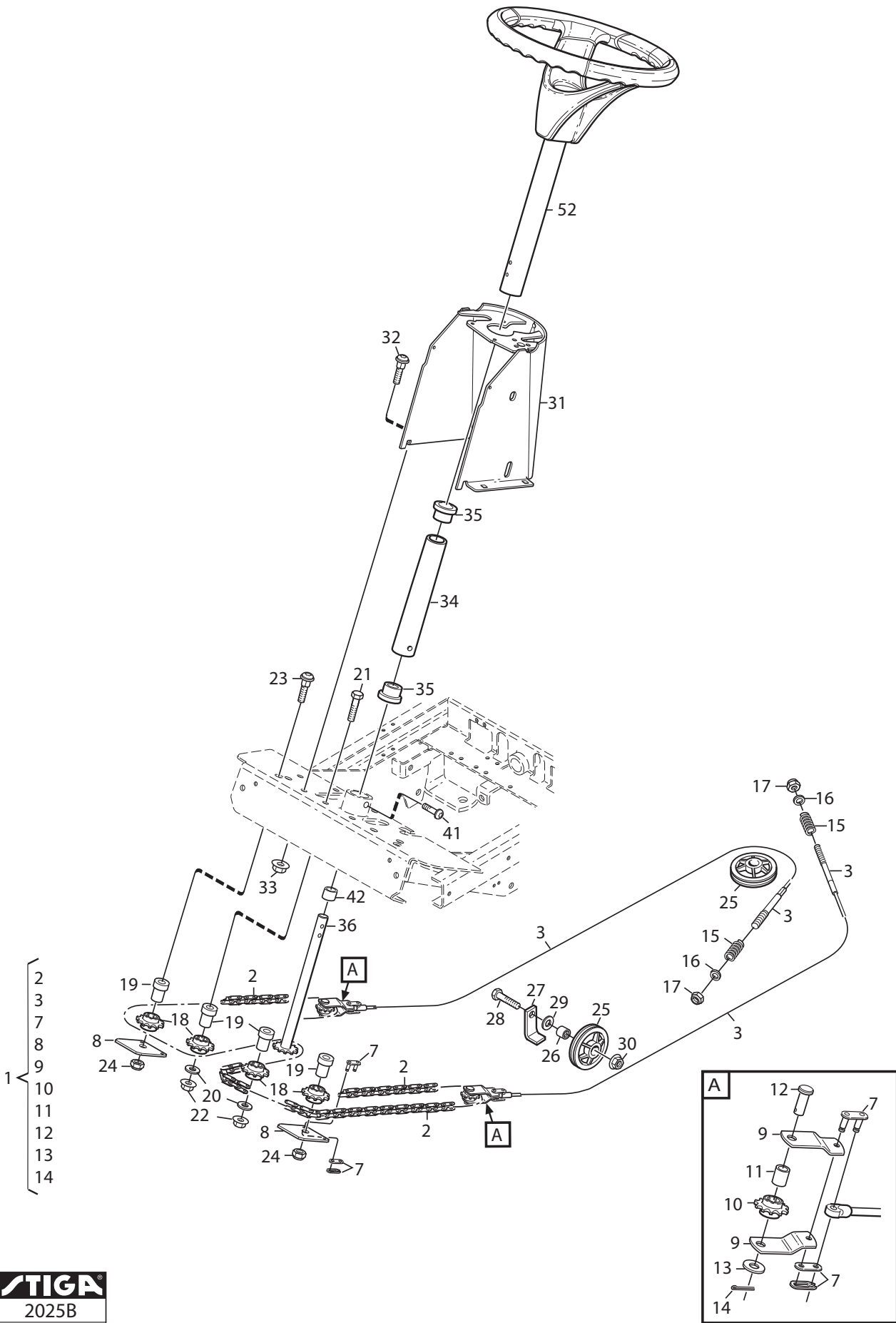
Utgåva Issue 43 - 2014		Ram	Frame		
Pos. Fig.	Antal Quantity	Art nr Part No	Benämning	Description	Anmärkning Notes
1	1	1137-0182-01	Ram-Främre Kpl	Frame Front	Inkl. pos 2-5
1	1	1137-0388-01	Ram-Främre (2Wd) 5-01	Frame-Front (2Wd)	" France; Inkl. pos 2-5 "
2	1	1134-3963-02	Midjegaffel Service 5-01 H10	Fork	
3	1	1134-0031-00	Ledaxelstopp	Pivot Shaft Stop	
4	1	9595-0262-00	Spännstift	Locating Pin	
5	1	9501-0500-00	Smörjkopp Kort Rak	Grease Dispenser	Rak/straight
5	1	9501-0504-01	Smörjnippel	Grease Nipple M6 90	90
6	1	1134-2171-01	Fjäder	Spring	
7	1	1134-6466-01	Ram-Bakre Kpl (5-01)	Frame-Rear Assy	
8	1	1134-5705-01	Distans	Spacer	
9	2	9547-0001-00	Ledlager Ge17Es	Bearing	
10	2	9501-0500-00	Smörjkopp Kort Rak	Grease Dispenser	
11	1	1134-5988-01	Centrumaxel	Centre Shaft	
13	2	9699-0035-02	Bricka	Washer	
14	2	9959-1025-16	Skruv	Screw	
16	1	1134-6586-01	Durk (5-01)	Floor Plate	
17	1	1134-6372-04	Durkmatta	Floor Mat Hst	
18	2	9893-0616-16	Relä Skruv	Relay Screw	
19	2	9403-0048-70	Täckpropp lkpt 13-6,5S	Cover Plug	
20	2	9945-0816-16	Skruv	Screw	
21	2	9959-0820-16	Skruv	Screw	
22	2	9739-0831-22	Mutter	Nut	
28	1	1134-4975-01	Gummibuffert	Rubber Buffer	
29	1	9950-0570-12	Skruv	Screw	
30	2	9739-0531-22	Mutter	Nut	
31	1	1134-5337-02	Stötfångare-bakre, grå	Bumper Assy-Rear Grey	
32	2	1134-0240-00	Skruv	Screw	
33	2	1134-4242-01	Distansbricka	Washer	
34	2	9665-0002-00	Bricka	Washer	
35	2	9747-0831-02	Mutter Låsmutter	Nut	
36	2	9943-0516-16	Skruv	Screw	
37	2	1134-5345-01	Batterihållare	Battery Holder	
38	1	1134-5344-01	Batterihylla	Battery Shelf	
39	4	9945-0816-16	Skruv	Screw	



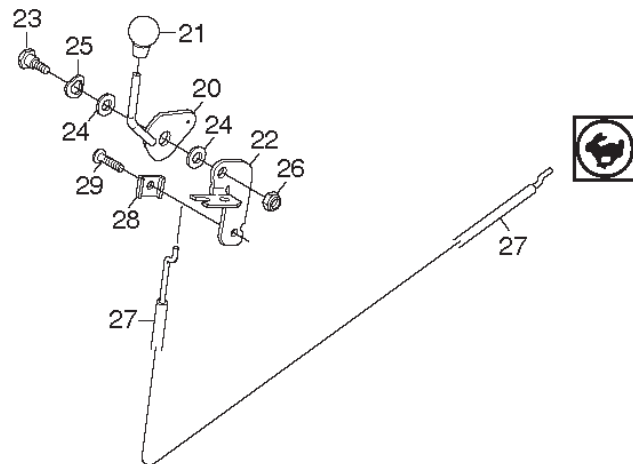
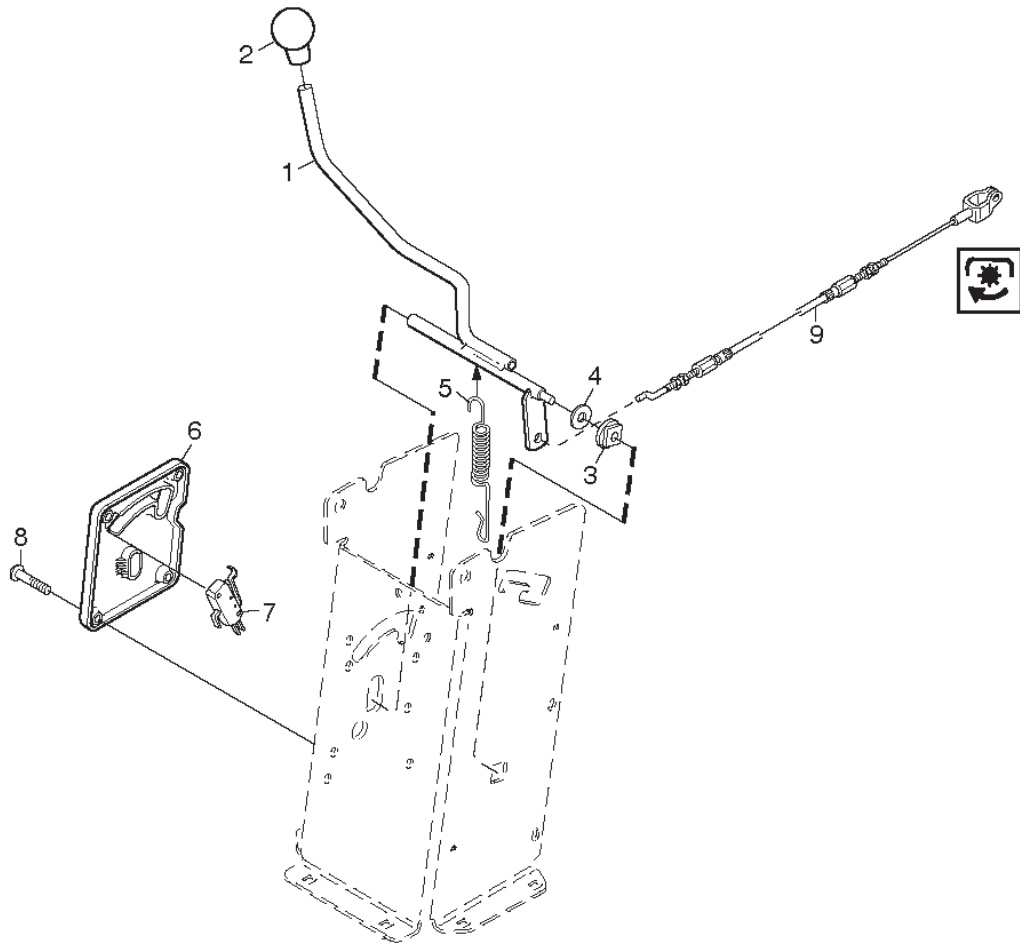
Utgåva Issue 43 - 2014		Pedallyft Pedal lift			
Pos. Fig.	Antal Quantity	Art nr Part No	Benämning	Description	Anmärkning Notes
1	1	1134-4117-01	Fäste	Bracket	
2	2	1134-2684-01	Lager	Bearing	
3	1	1134-4945-01	Lyftspärr kpl	Lift Catch Assy	
7	1	9404-0027-01	O-ring	O-ring	
8	1	9650-0039-04	Spårring Sga 8	Lock Ring	
9	1	9595-0276-01	Spiralspännstift 8*24	Locating Pin	
10	1	9997-0640-12	Skruv	Screw	
11	1	9747-0631-02	Mutter Låsmutter	Nut	
13	1	9897-0820-16	Skruv	Screw	
14	1	9747-0831-02	Mutter Låsmutter	Nut	
15	1	1134-4860-01	Lyftgaffel	Lift Fork	
16	2	1134-0240-00	Skruv	Screw	
17	1	1134-4938-01	Lyftpedal	Lift Pedal	
18	2	9997-0625-16	Skruv	Screw	
19	2	9739-0631-22	Mutter Strålkastare	Nut Working lamp	
20	1	4231-0013-00	Fjäder	Spring	



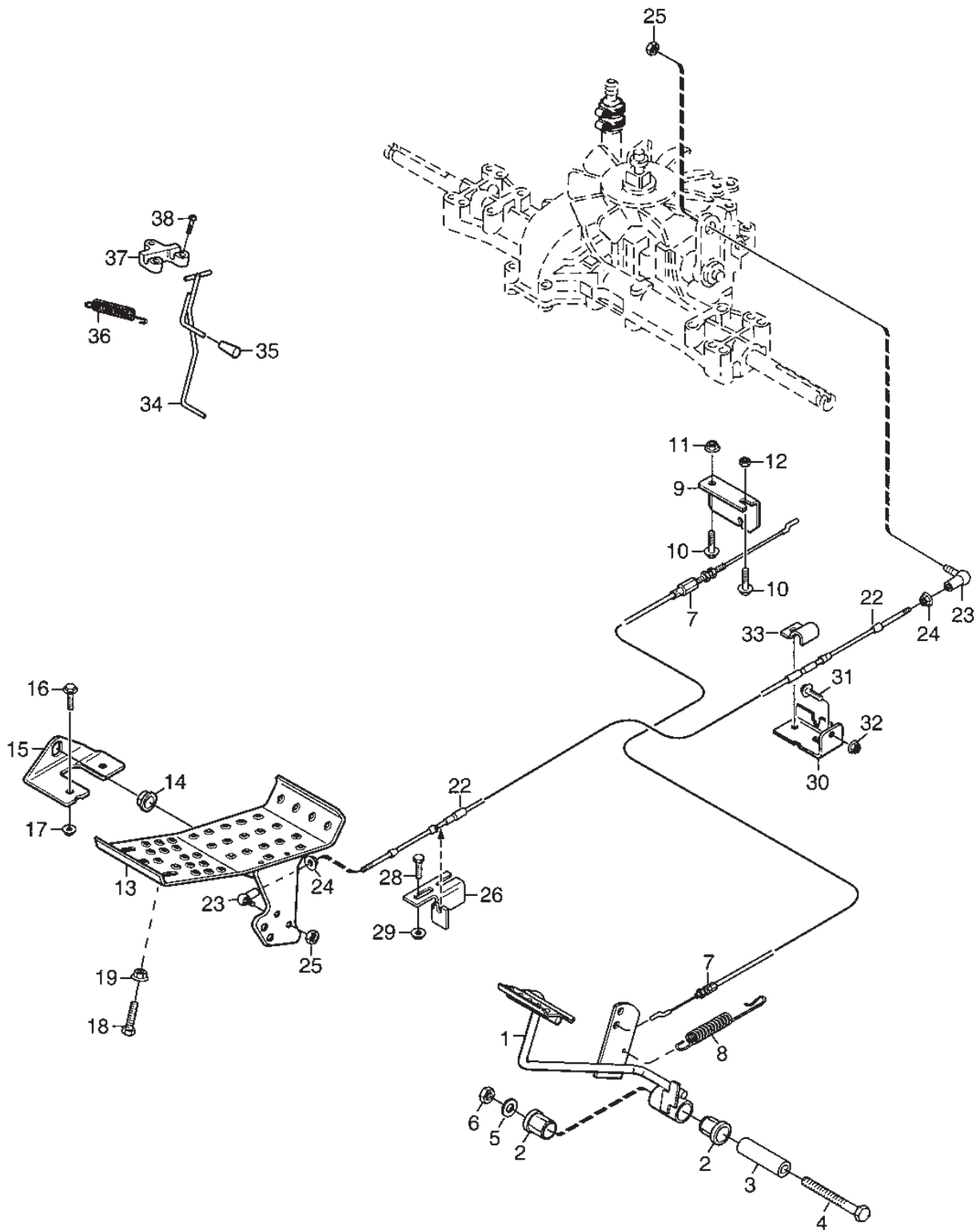
Utgåva Issue 43 - 2014		Sits	Seat		
Pos. Fig.	Antal Quantity	Art nr Part No	Benämning	Description	Anmärkning Notes
2	1	1134-6444-01	Sits (Xb 150) Stiga	Seat	
3	1	1134-5301-01	Sitsplatta	Upper Seat Bracket	
4	2	1134-0240-00	Skruv	Screw	
5	2	9747-0831-02	Mutter Låsmutter	Nut	
6	1	1134-5454-01	Spärr	Catch	
7	1	9675-0012-02	Starlock	Locking washer	
10	4	9893-0616-16	Relä Skruv	Relay Screw	
11	1	1134-5300-01	Bakstycke Gul	Rear Plate, Yellow	
12	1	1134-5296-04	Sitskonsol Kpl (Gul) 1-00	Seat Bracket (Yellow)	
13	1	1134-4256-01	Fjäder	Spring	
14	1	9924-1235-19	Skruv	Screw	
15	1	9747-1231-02	Mutter	Nut	
16	1	9997-0840-16	Skruv	Screw	
17	1	1134-1565-06	Distans	Spacer	
18	1	1134-5302-01	Fjäder	Spring	
19	1	1134-5299-01	Tryckplatta	Push Plate	
20	1	9699-0090-02	Bricka	Washer	
21	1	9747-0831-02	Mutter Låsmutter	Nut	
22	1	1134-3156-02	Brytare (grå)	Switch	
26	2	9897-0880-12	Skruv	Screw	L = 80 mm
27	2	1134-1565-08	Distans	Spacer	
28	4	9897-0820-16	Skruv	Screw	L = 20 mm
29	6	9747-0831-02	Mutter Låsmutter	Nut	



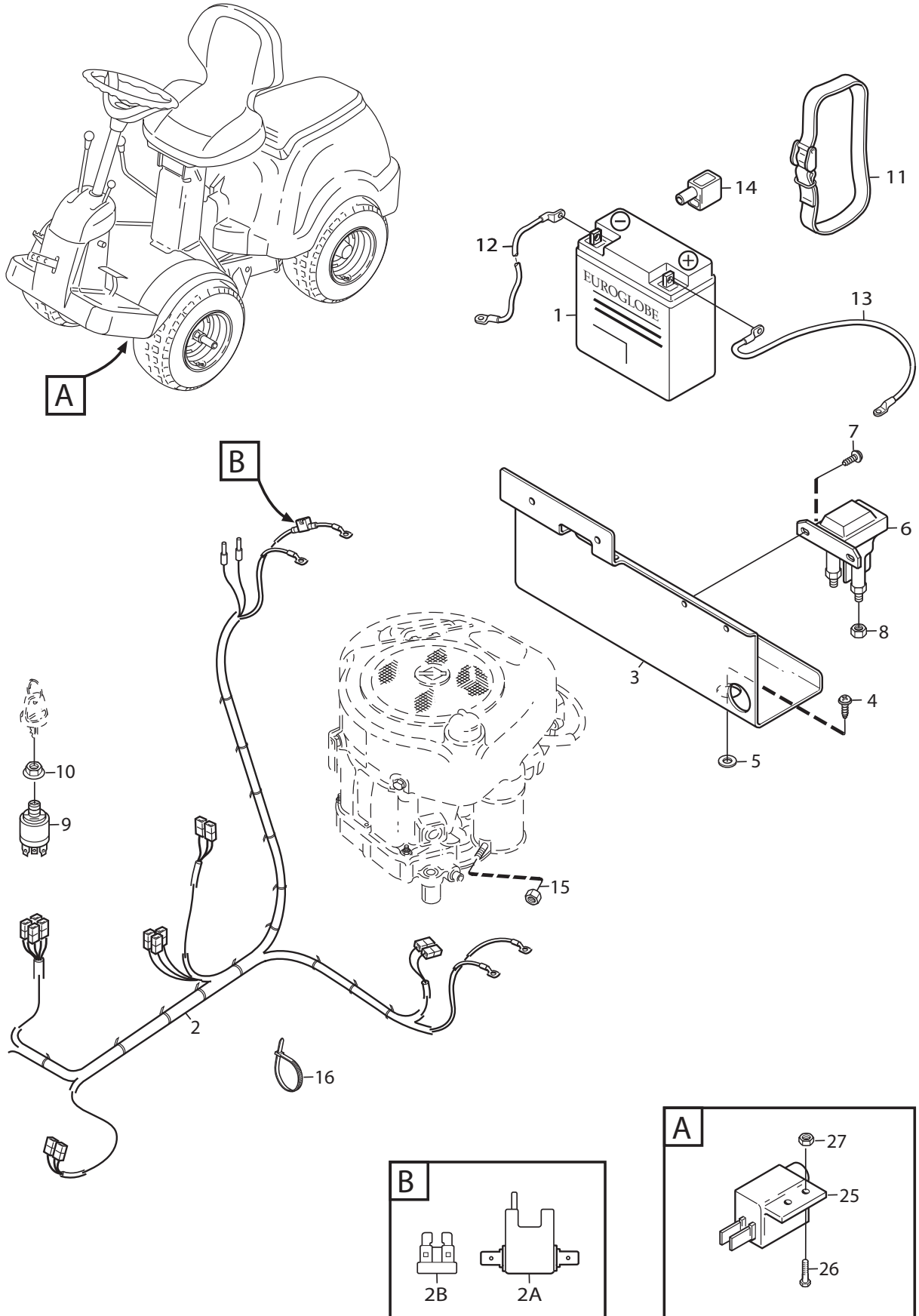
Utgåva Issue 43 - 2014		Styrning Steering			
Pos. Fig.	Antal Quantity	Art nr Part No	Benämning	Description	Anmärkning Notes
1	1	1134-6380-02	Styrkedja	Steering Chain Assy	Inkl. pos 2-14
2	1	1134-6374-10	Kedja	Chain	129 länk
3	1	1134-9099-01	Styrwire	Steering Wire	Sats vä+hö/kit L+R
7	4	1134-2824-02	Kedjelås Fz	Chain Lock	
8	2	1134-5652-01	Fäste	Attachment	
9	4	1134-5651-01	Fäste	Bracket	
10	2	1134-2816-01	Kedjehjul	Sprocket	
11	2	1134-0041-02	Bussning	Bushing	
12	2	1134-4817-01	Stift	Pin	
13	2	9699-0035-02	Bricka	Washer	
14	2	9599-0054-02	SaxSprint	Split Pin	
15	2	1134-3817-01	Fjäder	Spring	
16	2	9699-0090-02	Bricka	Washer	
17	2	9747-0831-02	Mutter Låsmutter	Nut	
18	4	1134-2816-01	Kedjehjul	Sprocket	
19	4	1134-5653-01	Distans	Spacer	
20	2	9699-0035-02	Bricka	Washer	
21	2	9997-1060-12	Skruv	Screw	
22	2	9739-1031-22	Mutter	Nut	
23	2	9897-1060-12	Skruv	Screw	
24	2	9731-1031-22	Mutter	Nut	
25	2	1134-9025-01	Linhjul	Steering Pulley	Sats 2 st/kit of 2
26	2	1134-0041-01	Bussning	Bushing	
27	2	1134-0046-00	Wireklämma	Wire Clamp	
28	2	9997-1040-16	Skruv	Screw	
29	2	9699-0035-02	Bricka	Washer	
30	2	9739-1031-22	Mutter	Nut	
31	1	1134-5349-01	Styrkonsol Kpl (Gul) 1-00	Steering Console (Yellow) 1-00	
32	4	9897-0820-16	Skruv	Screw	
33	4	9739-0831-22	Mutter	Nut	
34	1	1134-1305-05	Rattrör Nedre	Steering Column, Lower	
35	2	1134-1901-01	Lager	Bearing	
36	1	1137-0079-04	Rattstång Kpl	Steering Rod Assy	
41	2	9893-0616-16	Relä Skruv	Relay Screw	
42	1	1134-2837-03	Distans	Spacer	
52	1	1134-5496-03	Ratt	Steering Wheel	



Utgåva Issue 43 - 2014		Handreglage Hand controls			
Pos. Fig.	Antal Quantity	Art nr Part No	Benämning	Description	Anmärkning Notes
1	1	1134-6301-01	Aggregatsspak5-01	Engage Lever	
2	1	1134-2551-01	Knopp	Knob	
3	1	1134-3790-02	Lager	Bearing	
4	1	9699-0090-02	Bricka	Washer	
5	1	4231-0013-00	Fjäder	Spring	
6	1	1134-5368-01	Panel	Dashboard	
7	1	9400-0312-01	Mikrobrytare	Microswitch	
8	4	9946-0525-16	Skruv	Screw	
9	1	1134-3573-05	Reglagewire	Control Cable	
20	1	1134-5465-01	Gasreglage	Throttle Control Lever	
21	1	1134-4078-01	Knopp	Knob	
22	1	1134-5464-01	Fäste	Bracket	
23	1	1134-0240-00	Skruv	Screw	
24	2	1134-4242-01	Distansbricka	Washer	
25	1	9694-0001-00	Bricka	Washer	
26	1	9747-0831-02	Mutter Låsmutter	Nut	
27	1	1134-4197-03	Gasreglage	Throttle Cable	
28	1	9500-9991-00	Kabelklämma	Wire Clamp	
29	1	9943-0516-16	Skruv	Screw	

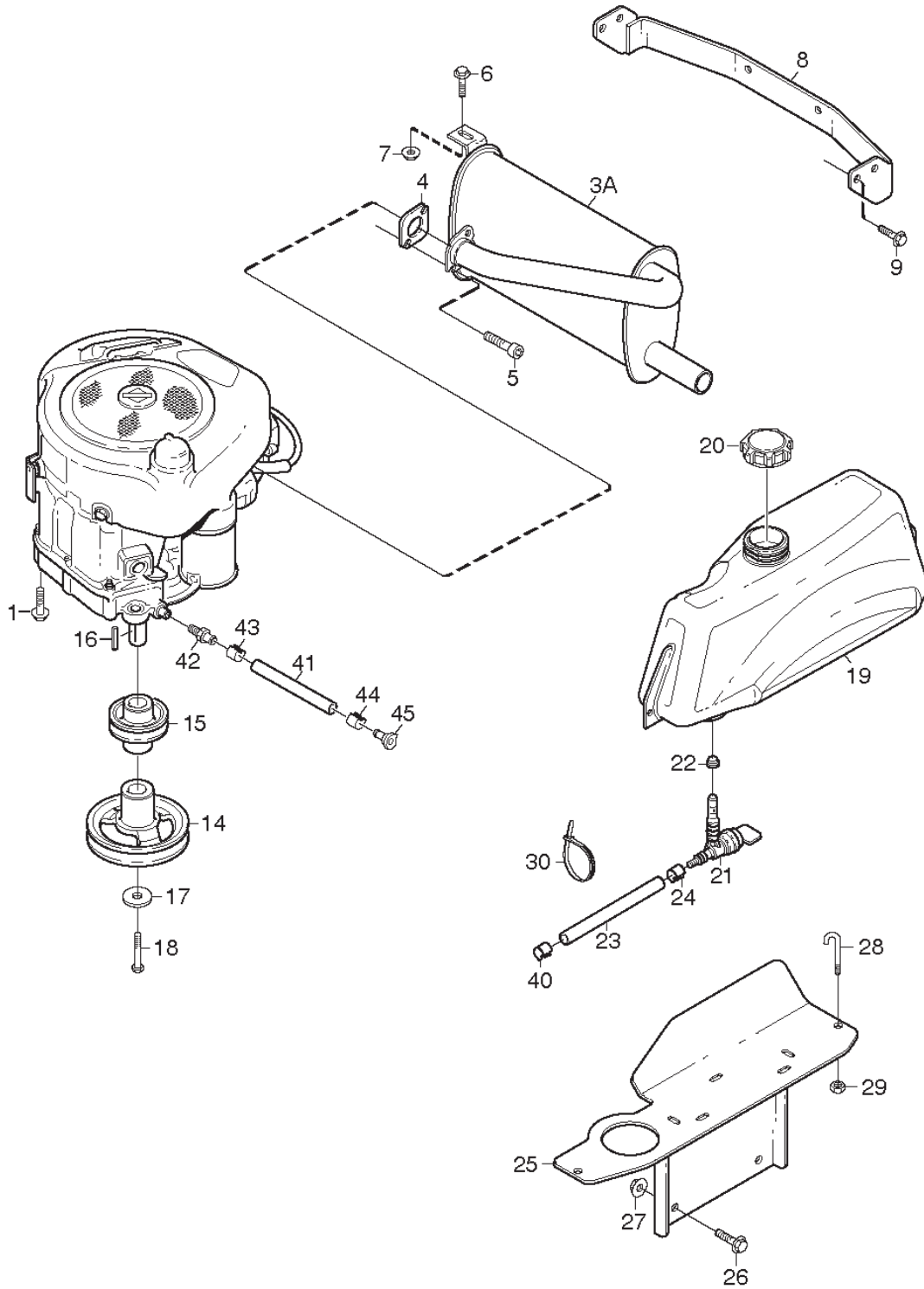


Utgåva Issue 43 - 2014		Fotreglage		Foot controls	
Pos. Fig.	Antal Quantity	Art nr Part No	Benämning	Description	Anmärkning Notes
1	1	1134-5655-01	Kopplingspedal Kpl	Clutch Pedal	
2	1	1134-9024-01	Lager (4 St)	Bearing	Sats 4 st/kit of 4
3	1	1134-5677-02	Distans	Spacer	
4	1	9997-1070-12	Skruv	Screw	
5	1	9699-0030-02	Bricka	Washer	
6	1	9739-1031-22	Mutter	Nut	
7	1	1134-6005-01	Reglagewire	Control Cable	
8	1	4231-0013-00	Fjäder	Spring	
9	1	1134-3906-01	Vajerfäste 24	Cabel Holder	
9	1	1134-6467-01	Wirefäste	Cable Holder	
10	2	9959-0820-16	Skruv	Screw	
11	1	9739-0831-22	Mutter	Nut	
12	1	9747-0831-02	Mutter Låsmutter	Nut	
13	1	1134-6353-01	Drivpedal	Drive Pedal	
14	2	1134-6313-01	Lager	Bearing	
15	2	1134-2700-01	Fäste	Bracket	
16	2	9959-0820-16	Skruv	Screw	
17	2	9739-0831-22	Mutter	Nut	
18	1	9997-0835-16	Skruv	Screw	
19	1	9739-0831-22	Mutter	Nut	
22	1	1134-2766-05	Reglagevajer	Speed Control Cable	
23	2	9570-0001-00	Vinkellänk As8 Din 71802M5	Elbow Link	
24	2	9739-0531-22	Mutter	Nut	
25	2	9747-0531-02	Mutter	Nut	
26	1	1134-6317-01	Wirefäste	Wire Bracket	
28	2	9959-0620-16	Skruv	Screw	
29	2	9739-0631-22	Mutter Strålkastare	Nut Working lamp	
30	1	1134-3395-01	Fäste 24 (5-01)	Attachment	
31	2	9959-0820-16	Skruv	Screw	
32	2	9739-0831-22	Mutter	Nut	
33	1	1134-2021-01	Växelwirefäste	Clamp	
34	1	1134-5353-01	Bromsstång	Brake Rod	
35	1	1134-2786-01	Knopp	Knob	
36	1	1131-1497-01	Fjäder	Brake Spring	
37	1	1134-4002-01	Fäste	Brake Rod Attachment	
38	3	9838-9516-12	Skruv	Screw	

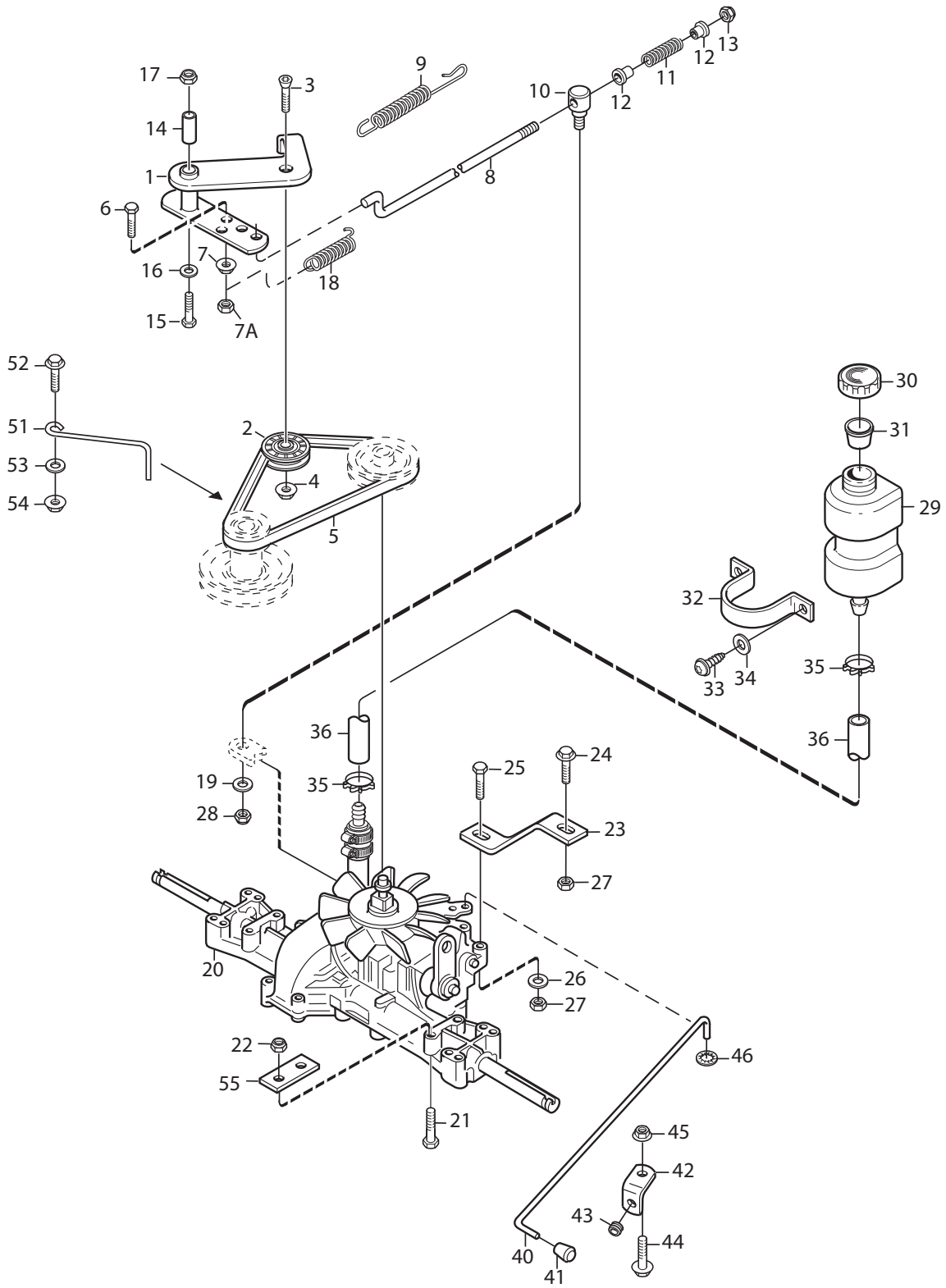


STIGA
1671G
SPARE PARTS

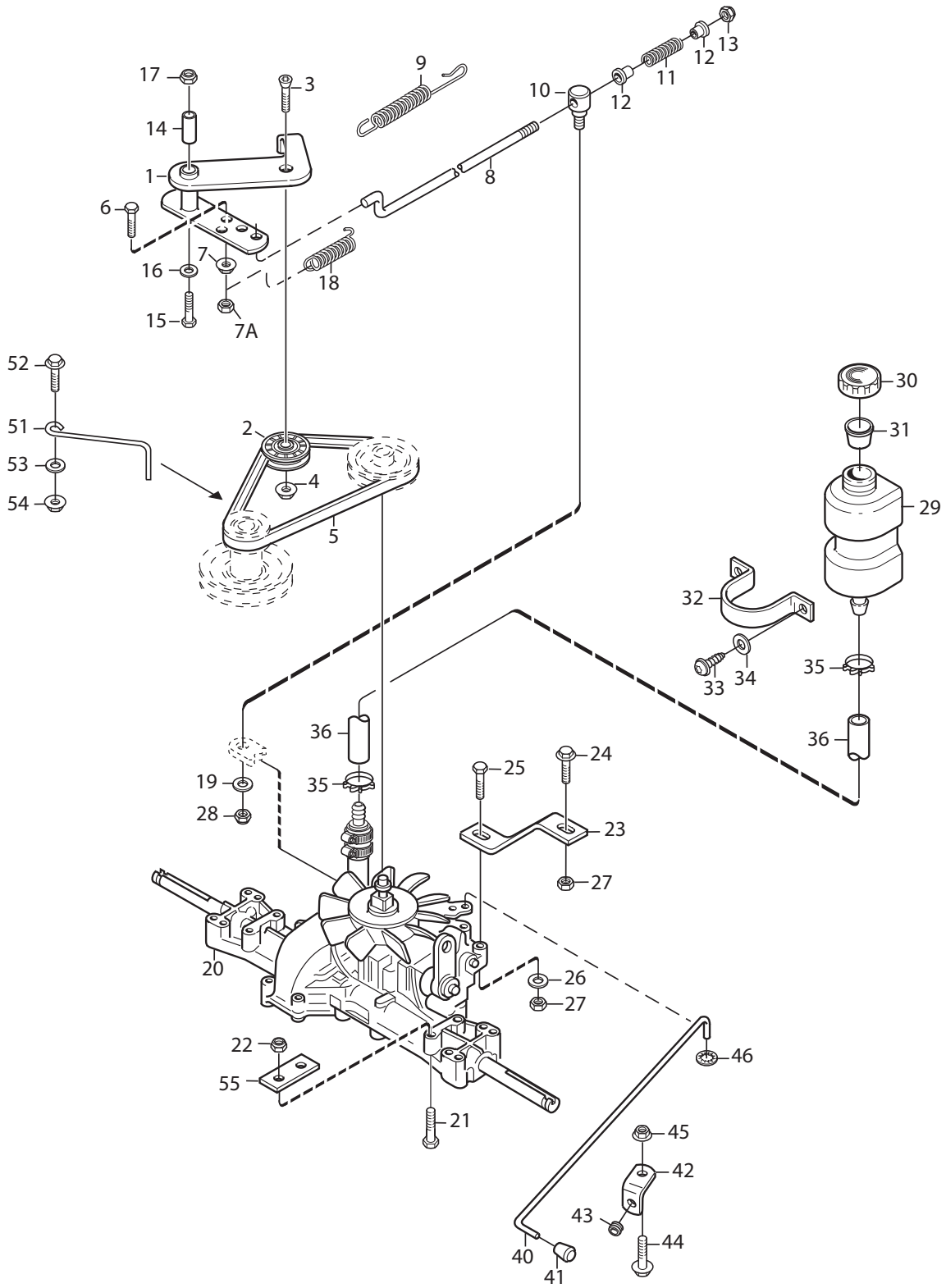
Utgåva Issue 43 - 2014		Elsystem Electric system			
Pos. Fig.	Antal Quantity	Art nr Part No	Benämning	Description	Anmärkning Notes
1	1	1134-4804-01	Batteri	Battery	
2	1	9400-0327-01	Säkringshållare Inkl 20A Säkring	Fuse Holder Incl Fuse	Inkl. pos 2B
2	1	1134-3496-06	Säkring (20A)	Fuse (20A)	20A
2	1	1134-5769-01	Kablage Kablage (Park kplact Hst)	Harness Harness (Park Compact Hst)	
2	1	1137-0455-01	Kablage	Harness	
3	1	1134-5343-01	Batterikonsol	Battery Bracket	
4	3	9852-8013-16	Skruv	Screw	
5	2	9699-0060-02	Bricka	Washer	
6	1	1134-2962-01	Solenoid Kpl Service	Solenoid	Inkl. pos 8
7	2	9852-8013-16	Skruv	Screw	
8	2	9794-5131-02	Mutter	Nut	
9	1	1134-4093-01	Tändningslås	Ignition Switch	
10	1	1134-4749-01	Mutter	Nut	
11	1	1134-5245-01	Batterirem	Battery Strap	
12	1	1134-2167-01	Elkabel	Cable	
12	1	1134-2167-02	Kabel (Minus)	Cable (-)	
13	1	1134-0234-02	Batterikabel (+)	Battery Cable (+)	
14	1	1134-2310-01	Batteriskydd	Guard Cap (+)	
15	1	9795-3531-02	Mutter	Nut	1/4" UNC
16	15	9579-0003-00	Buntband	Cable Holder	
25	1	1134-3399-02	Brytare	Switch	
26	2	9997-0520-16	Skruv	Screw	
27	2	9747-0531-02	Mutter	Nut	
28	1	1134-6454-01	Jordplåt	Ground Plate	Silent
29	2	9959-0612-16	Skruv	Screw	Silent
30	2	9739-0631-22	Mutter Strålkastare	Nut Working lamp	Silent
32	1	1137-0441-01	Fäste	Supporto	Silent
33	2	9945-0816-16	Skruv	Screw	Silent



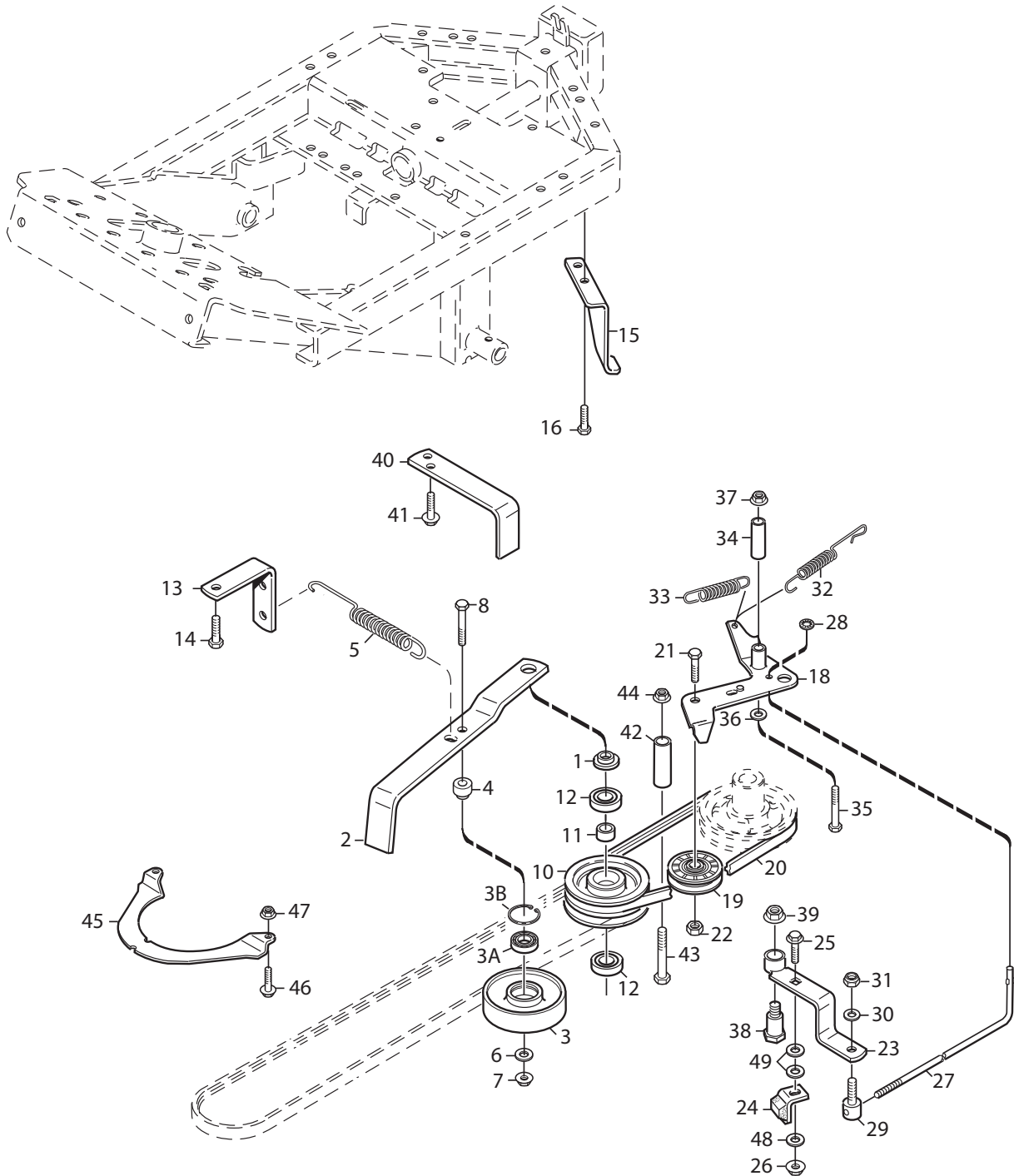
Utgåva Issue 43 - 2014		Motor	Engine		
Pos. Fig.	Antal Quantity	Art nr Part No	Benämning	Description	Anmärkning Notes
1	4	9955-3725-16	Skruv	Screw	3/8" UNC x 25 mm
3	1	1134-7784-01	Ljuddämpare Kpl	Muffler Assy	
4	1	1134-0433-00	Packning	Gasket	
5	2	1134-4930-01	Skruv	Screw	
6	1	9959-0820-16	Skruv	Screw	
7	1	9739-0831-22	Mutter	Nut	
8	1	1134-5390-01	Dragkroksbalk	Tow Bar Bracket	
9	4	9945-0816-16	Skruv	Screw	
14	1	1134-6419-01	Motorremskiva	Engine Pulley	
15	1	1134-6137-01	Motorremskiva	Engine Belt Pulley	
16	1	9600-0251-01	Kil	Key	L = 2 1/2"
17	1	1134-5017-01	Bricka	Washer	
18	1	9987-5332-16	Skruv	Screw	
19	1	1134-6618-01	Bränsletank	Fuel Tank	
20	1	1134-5532-01	Tanklock	Fuel Tank Cap	
21	1	1134-3224-01	Bensinkran	Fuel Shut-Off Valve	
22	1	1134-3225-01	Gummibussning	Grommet	
23	1	1134-2975-01	Bensinslang	Fuel Tube	L = 520 mm
24	1	9578-0023-02	Slangklämma D12*8 (Svart)	Hose Clamp	
25	1	1134-6627-01	Tankfäste	Fuel Tank Bracket	
26	2	9959-0820-16	Skruv	Screw	
27	2	9739-0831-22	Mutter	Nut	
28	2	1134-5346-01	Tankbygel	Fuel Tank Loop	
29	2	9747-0631-02	Mutter Låsmutter	Nut	
30	1	9579-0003-00	Buntband	Cable Holder	
40	1	9578-0023-02	Slangklämma D12*8 (Svart)	Hose Clamp	
41	1	1134-5827-01	Oljeavtappning Kpl	Oil Drain Assy	Pos 42-45 incl.
42	1	1134-5825-01	Nippel	Nipple	
43	1	9578-0023-04	Slangklämma 15*8 (Vit)	Hose Clamp	
44	1	1134-3499-02	Slangklämma	Hose Clamp	
45	1	1134-5826-01	Plugg	Plug	



Utgåva Issue 43 - 2014		Transmission		Tranmssion	
Pos. Fig.	Antal Quantity	Art nr Part No	Benämning	Description	Anmärkning Notes
1	1	1134-4000-02	Spännarm Kpl 15	Tension Arm	
2	1	1134-3459-01	Spännrulle	Tension Roller	
3	1	9924-1035-16	Skruv	Screw	
4	1	9799-1031-02	Mutter	Nut	
5	1	1134-9058-01	Kilrem	V-Belt	9585-0091-01
6	1	9997-0625-16	Skruv	Screw	
7	1	9739-0631-22	Mutter Strålkastare	Nut Working lamp	
7	1	9747-0631-02	Mutter Låsmutter	Nut	
8	1	1134-3377-02	Reglagestång	Control Rod	
9	1	4231-0013-00	Fjäder	Spring	
10	1	1134-4171-01	Ledtapp	Pivot Pin	
11	1	1134-4183-01	Fjäder	Spring	
12	2	1134-3456-01	Bussning	Bushing	
13	1	9747-0631-02	Mutter Låsmutter	Nut	
14	1	1134-1565-08	Distans	Spacer	
15	1	9997-0870-16	Skruv	Screw	
16	1	9699-0056-02	Bricka	Washer	
17	1	9747-0831-02	Mutter Låsmutter	Nut	
18	1	1134-6414-01	Fjäder	Spring	
19	1	9699-0060-02	Bricka	Washer	
20	1	1137-0123-01	Transaxel K46Ci	Transaxle K46Ci	Kanzaki K46Ci
21	4	9960-0860-12	Skruv	Screw	
22	4	9747-0831-02	Mutter Låsmutter	Nut	
23	1	1134-3913-01	Reaktionsstag 5-01 F24	Strut	
24	1	9959-0825-16	Skruv	Screw	
25	1	9997-0845-12	Skruv	Screw	
26	1	9699-0090-02	Bricka	Washer	
27	2	9747-0831-02	Mutter Låsmutter	Nut	
28	1	9747-0631-02	Mutter Låsmutter	Nut	
29	1	1134-2765-02	Oljetank	Oil Tank	
30	1	1134-2777-02	Tanklock	Filler Cap	
31	1	1134-3734-01	Plugg (Service)	Vent Plug	
32	1	1134-2778-01	Fästband5-01	Band	
33	2	9852-8013-16	Skruv	Screw	
34	2	9699-0099-02	Bricka	Washer	
35	2	9578-0035-01	Slangklämma Dim 18-27 Gemi	Hose Clamp	14,6-17,8
36	1	1134-2779-12	Slang	Tube	L = 205 mm
36	1	1134-2779-07	Rör	Tube	L = 140 mm
40	1	1134-4015-01	Dragstång	Pull Rod	
41	1	1134-4014-01	Plastknopp	Knob	
42	1	1134-4713-01	Vinkelfäste	Angle Bracket	
43	1	1134-2790-01	Kabelgenomföring	Cable Protection	
44	1	9959-0820-16	Skruv	Screw	
45	1	9739-0831-22	Mutter	Nut	
46	1	9675-0009-02	Starlockbricka	Starlock	
51	1	1134-3289-02	Remstyrning	Belt Guide	
52	1	9959-0820-16	Skruv	Screw	
53	1	9699-0056-02	Bricka	Washer	
54	1	9739-0831-22	Mutter	Nut	



Utgåva Issue 43 - 2014		Transmission Tranmssion			
Pos. Fig.	Antal Quantity	Art nr Part No	Benämning	Description	Anmärkning Notes
55	2	1134-3376-01	Distansplåt	Spacer Plate	Silent



Utgåva Issue 43 - 2014		Kraftuttag Power take-off			
Pos. Fig.	Antal Quantity	Art nr Part No	Benämning	Description	Anmärkning Notes
1	1	1134-5548-01	Distans	Spacer	Inkl. pos 3A-3B
2	1	1134-5109-01	Spännhjul sarm	Tension Wheel Arm	
3	1	1137-0128-01	Spännhjul Kpl	Tension Roller Assy	
3	1	9549-0019-00	Kullager	Ball Bearing	
3	1	9651-0040-04	Spårring Sgh 40	Circlip	
4	1	1134-1888-04	Distans	Spacer	
5	1	1134-5111-01	Fjäder	Spring	
6	1	9699-0056-02	Bricka	Washer	
7	1	9739-0831-22	Mutter	Nut	Inkl. pos 11-12
8	1	9997-0855-12	Skruv	Screw	
10	1	1137-0004-01	Centrumremskiva Smst	Centre Pulley Assy	
11	1	1134-0051-09	Distans	Spacer	
12	2	9549-0019-00	Kullager	Ball Bearing	
13	1	1134-5112-01	Fjäder	Spring	
14	2	9945-0816-16	Skruv	Screw	
15	1	1134-5110-01	Hake	Hook	
16	2	9893-0616-16	Relä Skruv	Relay Screw	
18	1	1134-2018-02	Spännarm Kpl	Tension Arm	9585-0129-01
19	1	1134-9027-02	Spännrulle (Grå)	Tension Roller (Grey)	
20	1	1134-9071-01	Kilrem	V-Belt	
21	1	9997-1030-16	Skruv	Screw	
22	1	9799-1031-02	Mutter	Nut	
23	1	1134-4111-01	Bromsarm Kpl	Brake Arm	
24	1	1134-4164-03	Bromsklots	Brake Pad	
25	1	9897-0825-16	Skruv	Screw	
26	1	9747-0831-02	Mutter Låsmutter	Nut	
27	1	1134-4162-01	Bromsstång	Brake Rod	
28	1	9675-0008-02	Starlockbricka	Starlock	
29	1	1134-4170-01	Nippel	Nippel	
30	1	9699-0025-02	Bricka	Washer	
31	1	9747-0631-02	Mutter Låsmutter	Nut	
32	1	4231-0013-00	Fjäder	Spring	
33	1	1134-4231-01	Fjäder	Brake Spring	
34	1	1134-1565-10	Distans	Spacer	
35	1	9997-0860-12	Skruv	Screw	
36	1	9699-0056-02	Bricka	Washer	
37	1	9739-0831-22	Mutter	Nut	
38	1	1134-4163-01	Ansattsskruv	Shoulder Bolt	
39	1	9731-1031-22	Mutter	Nut	
40	1	1134-3958-01	Remstyrning	Belt Guide	
41	2	9893-0616-16	Relä Skruv	Relay Screw	
42	1	1134-0041-03	Bussning	Bushing	
43	1	9997-1070-12	Skruv	Screw	
44	1	9739-1031-22	Mutter	Nut	
45	1	1134-3654-01	Fingerskydd 5-01 24	Guard	
46	2	9959-0612-16	Skruv	Screw	
47	2	9739-0631-22	Mutter Strålkastare	Nut Working lamp	
48	1	9699-0090-02	Bricka	Washer	
49	2	9699-0035-02	Bricka	Washer	

code	pos.	q.ty	page										
1131-1497-01	36	1	p. 17	1134-3970-05	24	1	p. 5	1134-5548-01	1	1	p. 27		
1134-0031-00	3	1	p. 7	1134-4000-02	1	1	p. 23	1134-5651-01	9	4	p. 13		
1134-0041-01	26	2	p. 13	1134-4002-01	37	1	p. 17	1134-5652-01	8	2	p. 13		
1134-0041-02	11	2	p. 13	1134-4014-01	41	1	p. 23	1134-5653-01	19	4	p. 13		
1134-0041-03	42	1	p. 27	1134-4015-01	40	1	p. 23	1134-5655-01	1	1	p. 17		
1134-0046-00	27	2	p. 13	1134-4078-01	21	1	p. 15	1134-5677-02	3	1	p. 17		
1134-0051-09	11	1	p. 27	1134-4093-01	9	1	p. 19	1134-5705-01	8	1	p. 7		
1134-0225-00	11	2	p. 5	1134-4111-01	23	1	p. 27	1134-5769-01	2	1	p. 19		
1134-0234-02	13	1	p. 19	1134-4117-01	1	1	p. 9	1134-5825-01	42	1	p. 21		
1134-0240-00	4	2	p. 11	1134-4162-01	27	1	p. 27	1134-5826-01	45	1	p. 21		
1134-0240-00	16	2	p. 9	1134-4163-01	38	1	p. 27	1134-5827-01	41	1	p. 21		
1134-0240-00	23	1	p. 15	1134-4164-03	24	1	p. 27	1134-5988-01	11	1	p. 7		
1134-0240-00	32	2	p. 7	1134-4170-01	29	1	p. 27	1134-6005-01	7	1	p. 17		
1134-0433-00	4	1	p. 21	1134-4171-01	10	1	p. 23	1134-6113-01	2	1	p. 3		
1134-1305-05	34	1	p. 13	1134-4176-01	10	4	p. 5	1134-6137-01	15	1	p. 21		
1134-1565-06	17	1	p. 11	1134-4183-01	11	1	p. 23	1134-6241-01	22	1	p. 5		
1134-1565-08	14	1	p. 23	1134-4185-01	6	2	p. 3	1134-6301-01	1	1	p. 15		
1134-1565-08	27	2	p. 11	1134-4197-03	27	1	p. 15	1134-6313-01	14	2	p. 17		
1134-1565-10	34	1	p. 27	1134-4231-01	33	1	p. 27	1134-6317-01	26	1	p. 17		
1134-1888-04	4	1	p. 27	1134-4242-01	24	2	p. 15	1134-6353-01	13	1	p. 17		
1134-1901-01	35	2	p. 13	1134-4242-01	33	2	p. 7	1134-6372-04	17	1	p. 7		
1134-2018-02	18	1	p. 27	1134-4256-01	13	1	p. 11	1134-6374-10	2	1	p. 13		
1134-2021-01	33	1	p. 17	1134-4481-01	8	2	p. 3	1134-6380-02	1	1	p. 13		
1134-2167-01	12	1	p. 19	1134-4713-01	42	1	p. 23	1134-6414-01	18	1	p. 23		
1134-2167-02	12	1	p. 19	1134-4734-01	10	2	p. 3	1134-6419-01	14	1	p. 21		
1134-2171-01	6	1	p. 7	1134-4749-01	10	1	p. 19	1134-6440-02	99	1	p. 5		
1134-2310-01	14	1	p. 19	1134-4804-01	1	1	p. 19	1134-6444-01	2	1	p. 11		
1134-2551-01	2	1	p. 15	1134-4817-01	12	2	p. 13	1134-6454-01	28	1	p. 19		
1134-2684-01	2	2	p. 9	1134-4860-01	15	1	p. 9	1134-6466-01	7	1	p. 7		
1134-2700-01	15	2	p. 17	1134-4930-01	5	2	p. 21	1134-6467-01	9	1	p. 17		
1134-2765-02	29	1	p. 23	1134-4938-01	17	1	p. 9	1134-6586-01	16	1	p. 7		
1134-2766-05	22	1	p. 17	1134-4945-01	3	1	p. 9	1134-6618-01	19	1	p. 21		
1134-2777-02	30	1	p. 23	1134-4975-01	28	1	p. 7	1134-6627-01	25	1	p. 21		
1134-2778-01	32	1	p. 23	1134-5017-01	17	1	p. 21	1134-7784-01	3	1	p. 21		
1134-2779-07	36	1	p. 23	1134-5109-01	2	1	p. 27	1134-9024-01	2	1	p. 17		
1134-2779-12	36	1	p. 23	1134-5110-01	15	1	p. 27	1134-9025-01	25	2	p. 13		
1134-2786-01	35	1	p. 17	1134-5111-01	5	1	p. 27	1134-9027-02	19	1	p. 27		
1134-2790-01	43	1	p. 23	1134-5112-01	13	1	p. 27	1134-9028-01	3	1	p. 5		
1134-2816-01	10	2	p. 13	1134-5245-01	11	1	p. 19	1134-9058-01	5	1	p. 23		
1134-2816-01	18	4	p. 13	1134-5263-02	1	1	p. 5	1134-9071-01	20	1	p. 27		
1134-2824-02	7	4	p. 13	1134-5264-01	6	1	p. 5	1134-9099-01	3	1	p. 13		
1134-2837-03	42	1	p. 13	1134-5296-04	12	1	p. 11	1137-0004-01	10	1	p. 27		
1134-2962-01	6	1	p. 19	1134-5299-01	19	1	p. 11	1137-0079-04	36	1	p. 13		
1134-2975-01	23	1	p. 21	1134-5300-01	11	1	p. 11	1137-0123-01	20	1	p. 23		
1134-3156-02	22	1	p. 11	1134-5301-01	3	1	p. 11	1137-0128-01	3	1	p. 27		
1134-3224-01	21	1	p. 21	1134-5302-01	18	1	p. 11	1137-0182-01	1	1	p. 7		
1134-3225-01	22	1	p. 21	1134-5305-01	18	1	p. 5	1137-0388-01	1	1	p. 7		
1134-3289-02	51	1	p. 23	1134-5306-01	14	1	p. 5	1137-0441-01	32	1	p. 19		
1134-3376-01	55	2	p. 25	1134-5306-02	15	1	p. 5	1137-0455-01	2	1	p. 19		
1134-3377-02	8	1	p. 23	1134-5308-01	7	1	p. 5	4231-0013-00	5	1	p. 15		
1134-3395-01	30	1	p. 17	1134-5308-02	8	1	p. 5	4231-0013-00	8	1	p. 17		
1134-3399-02	25	1	p. 19	1134-5320-02	20	1	p. 5	4231-0013-00	9	1	p. 23		
1134-3456-01	12	2	p. 23	1134-5337-02	31	1	p. 7	4231-0013-00	20	1	p. 9		
1134-3459-01	2	1	p. 23	1134-5343-01	3	1	p. 19	4231-0013-00	32	1	p. 27		
1134-3496-06	2	1	p. 19	1134-5344-01	38	1	p. 7	8211-0701-91	31	1	p. 3		
1134-3499-02	44	1	p. 21	1134-5345-01	37	2	p. 7	8211-0901-90	31	1	p. 3		
1134-3573-05	9	1	p. 15	1134-5346-01	28	2	p. 21	8211-0960-90	31	1	p. 3		
1134-3654-01	45	1	p. 27	1134-5349-01	31	1	p. 13	9400-0312-01	7	1	p. 15		
1134-3734-01	31	1	p. 23	1134-5353-01	34	1	p. 17	9400-0327-01	2	1	p. 19		
1134-3790-02	3	1	p. 15	1134-5368-01	6	1	p. 15	9403-0048-70	19	2	p. 7		
1134-3817-01	15	2	p. 13	1134-5390-01	8	1	p. 21	9404-0027-01	7	1	p. 9		
1134-3906-01	9	1	p. 17	1134-5454-01	6	1	p. 11	9500-9991-00	28	1	p. 15		
1134-3913-01	23	1	p. 23	1134-5464-01	22	1	p. 15	9501-0500-00	5	1	p. 7		
1134-3958-01	40	1	p. 27	1134-5465-01	20	1	p. 15	9501-0500-00	10	2	p. 7		
1134-3963-02	2	1	p. 7	1134-5496-03	52	1	p. 13	9501-0504-01	5	1	p. 7		
1134-3970-02	25	1	p. 5	1134-5512-01	13	1	p. 3	9547-0001-00	9	2	p. 7		
				1134-5532-01	20	1	p. 21	9549-0019-00	3	1	p. 27		

code	pos.	q.ty	page										
9549-0019-00	12	2	p. 27	9739-0831-22	45	1	p. 23	9946-0525-16	21	2	p. 5		
9570-0001-00	23	2	p. 17	9739-0831-22	54	1	p. 23	9950-0570-12	29	1	p. 7		
9578-0023-02	24	1	p. 21	9739-1031-22	6	1	p. 17	9955-3725-16	1	4	p. 21		
9578-0023-02	40	1	p. 21	9739-1031-22	19	2	p. 3	9959-0612-16	29	2	p. 19		
9578-0023-04	43	1	p. 21	9739-1031-22	22	2	p. 13	9959-0612-16	46	2	p. 27		
9578-0035-01	35	2	p. 23	9739-1031-22	30	2	p. 13	9959-0620-16	28	2	p. 17		
9579-0003-00	16	15	p. 19	9739-1031-22	44	1	p. 27	9959-0820-16	6	1	p. 21		
9579-0003-00	30	1	p. 21	9747-0531-02	25	2	p. 17	9959-0820-16	7	2	p. 3		
9595-0262-00	4	1	p. 7	9747-0531-02	27	2	p. 19	9959-0820-16	10	2	p. 17		
9595-0262-00	4	2	p. 3	9747-0631-02	7	1	p. 23	9959-0820-16	14	2	p. 3		
9595-0276-01	9	1	p. 9	9747-0631-02	11	1	p. 9	9959-0820-16	16	2	p. 17		
9599-0054-02	14	2	p. 13	9747-0631-02	13	1	p. 23	9959-0820-16	21	2	p. 7		
9600-0251-01	16	1	p. 21	9747-0631-02	28	1	p. 23	9959-0820-16	26	2	p. 21		
9632-0516-00	4	1	p. 5	9747-0631-02	28	2	p. 5	9959-0820-16	31	2	p. 17		
9650-0039-04	8	1	p. 9	9747-0631-02	29	2	p. 21	9959-0820-16	44	1	p. 23		
9651-0040-04	3	1	p. 27	9747-0631-02	31	1	p. 27	9959-0820-16	52	1	p. 23		
9665-0002-00	34	2	p. 7	9747-0831-02	5	2	p. 11	9959-0825-16	24	1	p. 23		
9675-0008-02	28	1	p. 27	9747-0831-02	12	1	p. 17	9959-1025-16	14	2	p. 7		
9675-0009-02	46	1	p. 23	9747-0831-02	14	1	p. 9	9960-0860-12	21	4	p. 23		
9675-0012-02	7	1	p. 11	9747-0831-02	17	1	p. 23	9987-5332-16	18	1	p. 21		
9694-0001-00	25	1	p. 15	9747-0831-02	17	2	p. 13	9997-0520-16	26	2	p. 19		
9699-0025-02	30	1	p. 27	9747-0831-02	21	1	p. 11	9997-0625-16	6	1	p. 23		
9699-0030-02	5	1	p. 17	9747-0831-02	22	4	p. 23	9997-0625-16	18	2	p. 9		
9699-0035-02	13	2	p. 7	9747-0831-02	26	1	p. 15	9997-0640-12	10	1	p. 9		
9699-0035-02	13	2	p. 13	9747-0831-02	26	1	p. 27	9997-0820-16	12	2	p. 3		
9699-0035-02	20	2	p. 13	9747-0831-02	27	2	p. 23	9997-0835-16	18	1	p. 17		
9699-0035-02	29	2	p. 13	9747-0831-02	29	6	p. 11	9997-0840-16	16	1	p. 11		
9699-0035-02	49	2	p. 27	9747-0831-02	35	2	p. 7	9997-0845-12	25	1	p. 23		
9699-0056-02	6	1	p. 27	9747-1231-02	15	1	p. 11	9997-0855-12	8	1	p. 27		
9699-0056-02	9	4	p. 3	9794-5131-02	8	2	p. 19	9997-0860-12	35	1	p. 27		
9699-0056-02	13	4	p. 5	9795-3531-02	15	1	p. 19	9997-0870-16	15	1	p. 23		
9699-0056-02	16	1	p. 23	9799-1031-02	4	1	p. 23	9997-1030-16	21	1	p. 27		
9699-0056-02	36	1	p. 27	9799-1031-02	22	1	p. 27	9997-1040-16	28	2	p. 13		
9699-0056-02	53	1	p. 23	9838-9516-12	38	3	p. 17	9997-1060-12	21	2	p. 13		
9699-0060-02	5	2	p. 19	9838-9530-12	2	7	p. 5	9997-1070-12	4	1	p. 17		
9699-0060-02	19	1	p. 23	9852-8013-16	4	3	p. 19	9997-1070-12	43	1	p. 27		
9699-0060-02	27	2	p. 5	9852-8013-16	7	2	p. 19						
9699-0090-02	4	1	p. 15	9852-8013-16	33	2	p. 23						
9699-0090-02	16	2	p. 13	9893-0616-16	9	4	p. 5						
9699-0090-02	20	1	p. 11	9893-0616-16	10	4	p. 11						
9699-0090-02	26	1	p. 23	9893-0616-16	16	2	p. 5						
9699-0090-02	48	1	p. 27	9893-0616-16	16	2	p. 27						
9699-0099-02	34	2	p. 23	9893-0616-16	18	2	p. 7						
9699-0103-02	5	1	p. 3	9893-0616-16	19	2	p. 5						
9699-0114-02	5	1	p. 3	9893-0616-16	23	3	p. 5						
9699-0120-02	5	1	p. 5	9893-0616-16	26	2	p. 5						
9731-1031-22	24	2	p. 13	9893-0616-16	41	2	p. 13						
9731-1031-22	39	1	p. 27	9893-0616-16	41	2	p. 27						
9739-0531-22	24	2	p. 17	9897-0616-16	29	2	p. 5						
9739-0531-22	30	2	p. 7	9897-0820-16	13	1	p. 9						
9739-0631-22	7	1	p. 23	9897-0820-16	28	4	p. 11						
9739-0631-22	19	2	p. 9	9897-0820-16	32	4	p. 13						
9739-0631-22	29	2	p. 17	9897-0825-16	25	1	p. 27						
9739-0631-22	30	2	p. 19	9897-0880-12	26	2	p. 11						
9739-0631-22	47	2	p. 27	9897-1060-12	23	2	p. 13						
9739-0831-22	7	1	p. 21	9898-1035-16	18	2	p. 3						
9739-0831-22	7	1	p. 27	9924-1035-16	3	1	p. 23						
9739-0831-22	11	1	p. 17	9924-1235-19	14	1	p. 11						
9739-0831-22	15	2	p. 3	9943-0516-16	29	1	p. 15						
9739-0831-22	17	2	p. 17	9943-0516-16	36	2	p. 7						
9739-0831-22	19	1	p. 17	9945-0816-16	9	4	p. 21						
9739-0831-22	22	2	p. 7	9945-0816-16	12	6	p. 5						
9739-0831-22	27	2	p. 21	9945-0816-16	14	2	p. 27						
9739-0831-22	32	2	p. 17	9945-0816-16	20	2	p. 7						
9739-0831-22	33	4	p. 13	9945-0816-16	33	2	p. 19						
9739-0831-22	37	1	p. 27	9945-0816-16	39	4	p. 7						
				9946-0525-16	8	4	p. 15						