



Reservdelskatalog Parts Catalogue

Park Compact 16 4WD

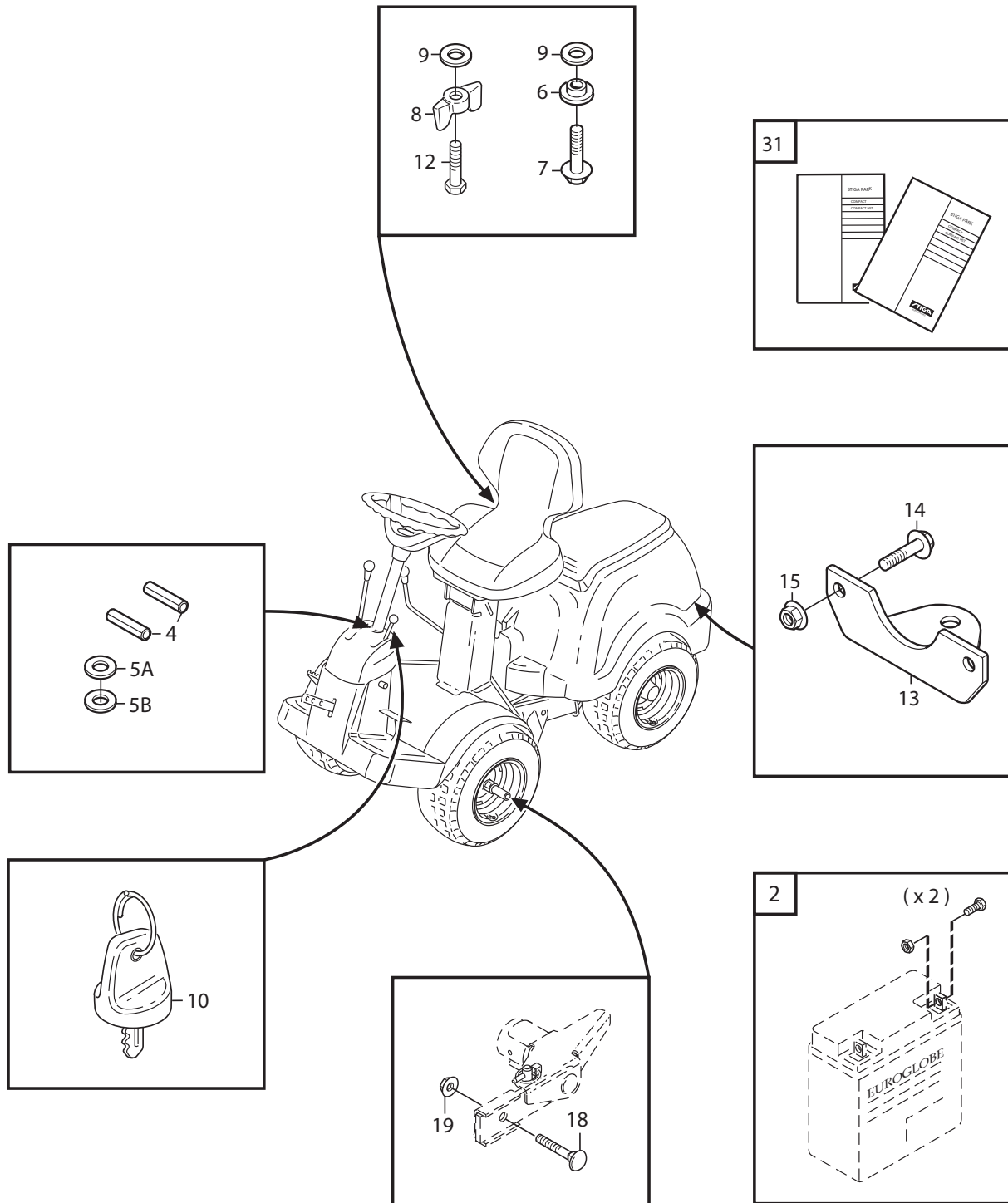
13-6104-21 - Season 2014

- Use GLOBAL GARDEN PRODUCT Genuine Spare Parts specified in the parts list for repair and/or replacement.
 - The contents described in the parts list may change due to improvement.
 - The drawings of the spare parts are only indicative and might not represent the part in question exactly.
 - The indications "right" - "left" - "front" - "rear" refer to the position of the operator when using the machine.
- When placing orders of parts for repair and/or replacement, make sure that the illustrated parts list is the one applying to the machine's year of manufacture, as shown on the identification plate attached to the machine.

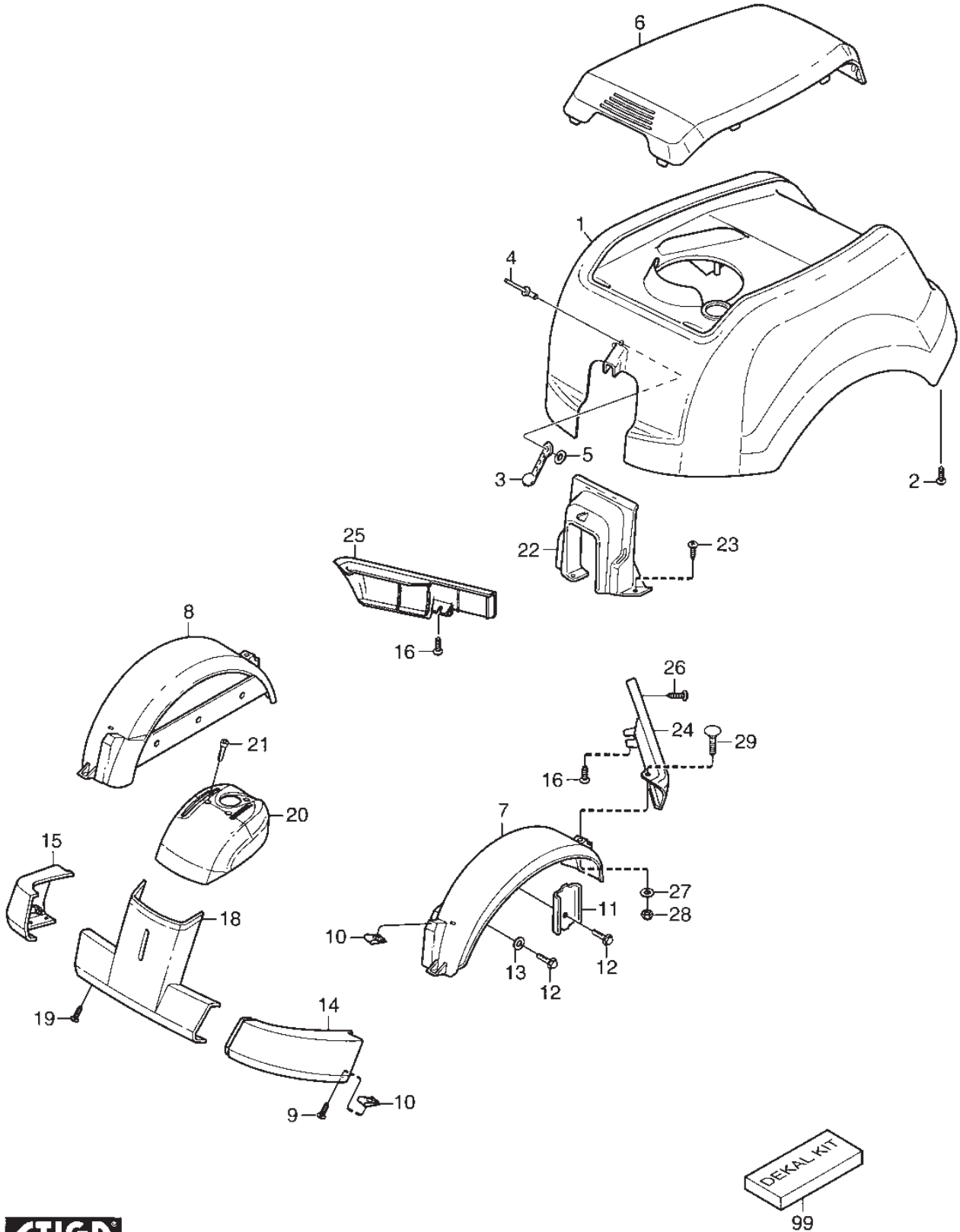
© Copyright 2014 Global Garden Products

All rights reserved. No part of this material may be reproduced or transmitted, in any form or by any means, electronic or mechanical, including photocopying, recording or by any information storage and retrieval system, without permission in writing from GLOBAL GARDEN PRODUCTS.

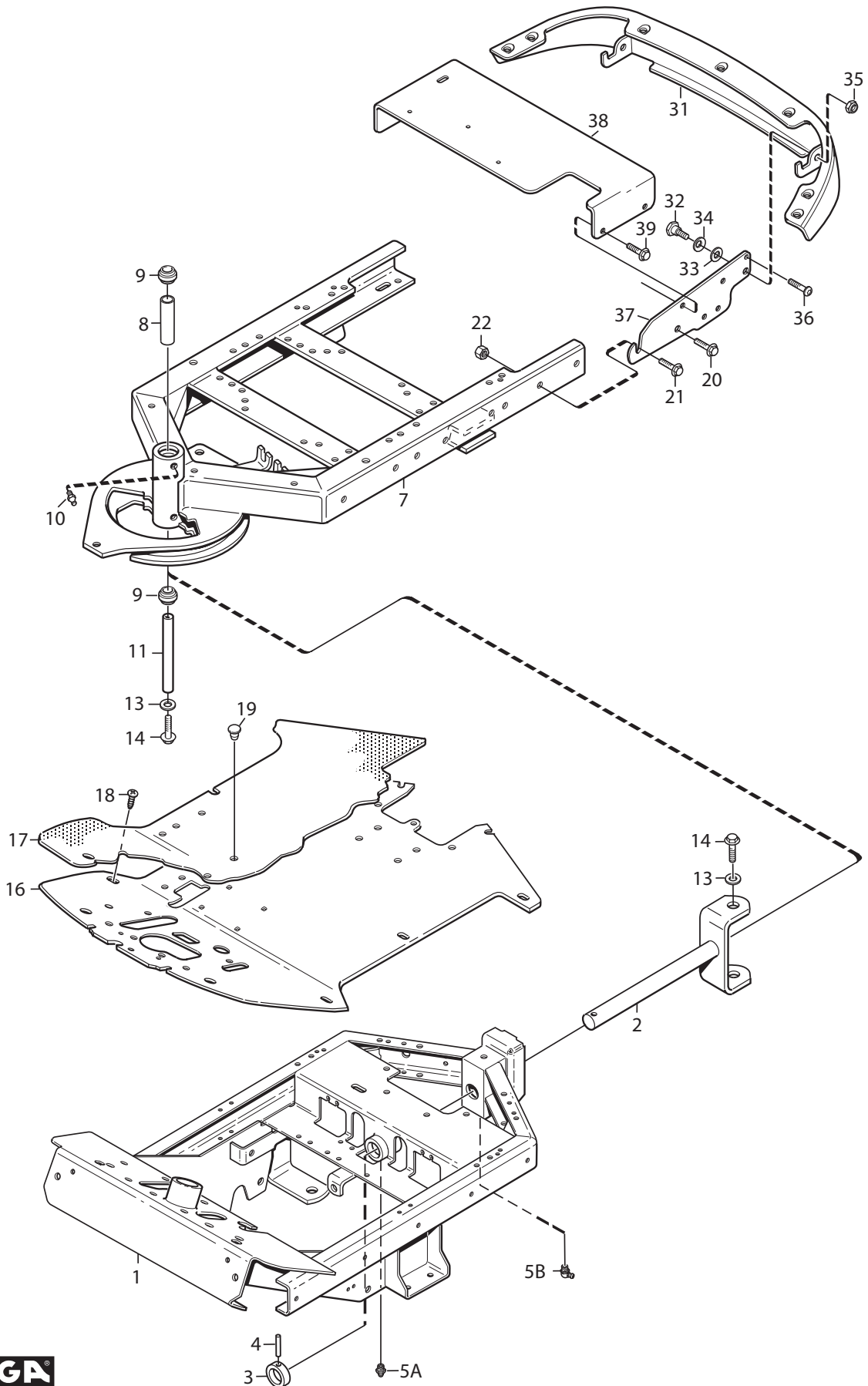
www.stiga.com



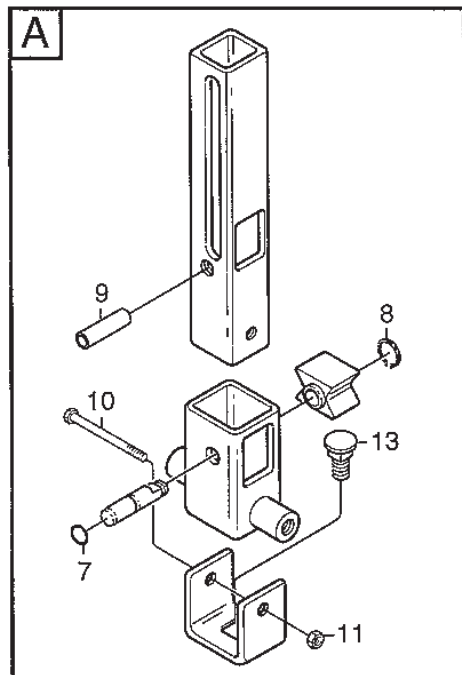
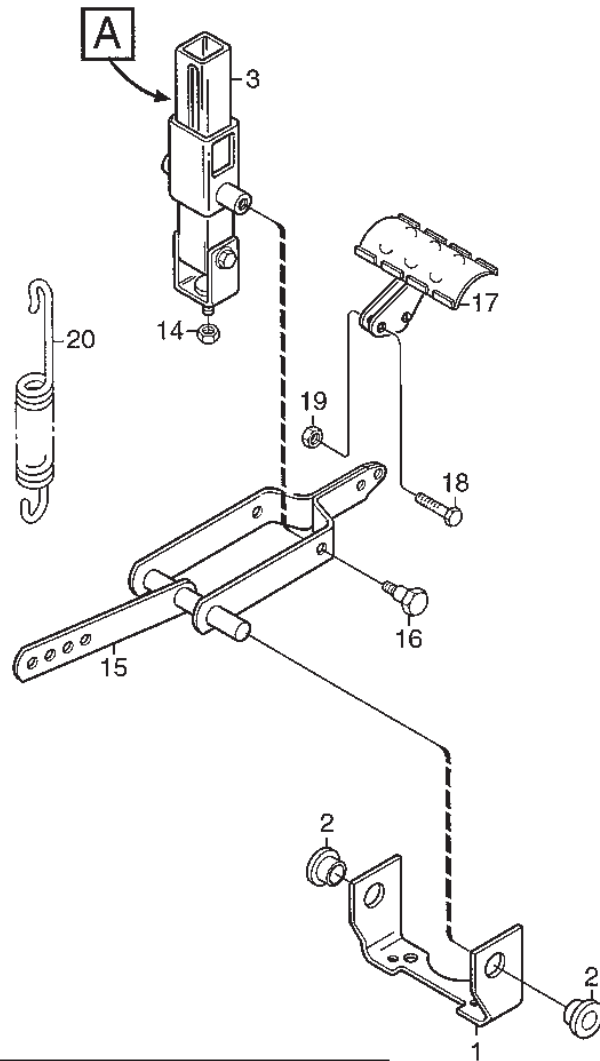
Utgåva Issue 43 - 2014		Monteringsdetaljer Assembly parts			
Pos. Fig.	Antal Quantity	Art nr Part No	Benämning	Description	Anmärkning Notes
2	1	1134-6113-01	Skruv	Screw	
4	2	9595-0262-00	Spännstift	Locating Pin	
5	1	9699-0114-02	Bricka	Washer	1.0 mm
5	1	9699-0103-02	Bricka	Washer	0.5 mm
6	2	1134-4185-01	Ansatsbricka	Flange Washer	
7	2	9959-0820-16	Skruv	Screw	
8	2	1134-4481-01	Vingmutter	Wing Nut	
9	4	9699-0056-02	Bricka	Washer	
10	2	1134-4734-01	Tändningsnyckel	Ignition Key	
12	2	9997-0820-16	Skruv	Screw	
13	1	1134-5512-01	Dragplåt5-01	Towing Plate	
14	2	9959-0820-16	Skruv	Screw	
15	2	9739-0831-22	Mutter	Nut	
18	2	9898-1035-16	Skruv	Screw	
19	2	9739-1031-22	Mutter	Nut	
31	1	8211-0701-91	Säkerhetsföreskrifter	Safety Regulations	
31	1	8211-0901-90	Servicebok	Service Book	
31	1	8211-0960-90	Garantikort	Warranty Card	



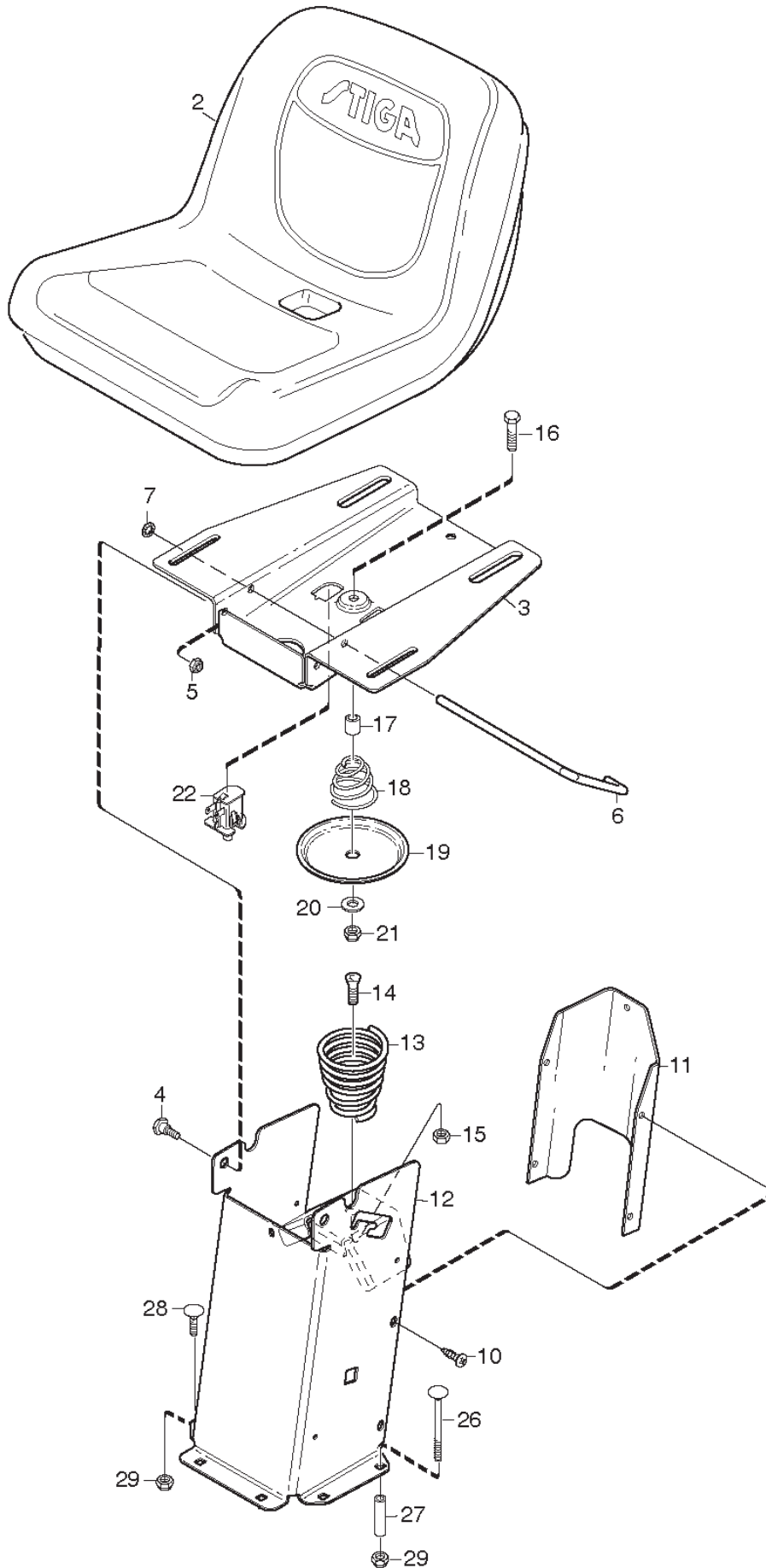
Utgåva Issue 43 - 2014		Kaross Body work			
Pos. Fig.	Antal Quantity	Art nr Part No	Benämning	Description	Anmärkning Notes
1	1	1134-5263-02	Motorhuv Gul	Engine Hood Yellow	
2	7	9838-9530-12	Skruv	Screw	
3	1	1134-9028-01	Gummistropp (3 St)	Rubber Strap (3 Pcs)	Sats 3 st/kit of 3
4	1	9632-0516-00	Popnit 9.5	Pop Rivet	
5	1	9699-0120-02	Bricka	Washer	
6	1	1134-5264-01	Motorlucka (Grå) 7-14	Engine Cover (Grey) 7-14	
7	1	1134-5308-01	Skärm-Vä (Grå) 7-14	Mudguard-Lh (Grey) 7-14	
8	1	1134-5308-02	Skärm-Hö (Grå) 7-14	Mudguard-Rh (Grey) 7-14	
9	4	9893-0616-16	Relä Skruv	Relay Screw	
10	4	1134-4176-01	Clips	Clips	
11	2	1134-0225-00	Stödplåt	Support Plate	
12	6	9945-0816-16	Skruv	Screw	
13	4	9699-0056-02	Bricka	Washer	
14	1	1134-5306-01	Stötfångare Front-Vä Grå	Bumper Front-Lh (Grey)	
15	1	1134-5306-02	Stötfångare Front-Hö Grå	Bumper Front-Rh (Grey)	
16	2	9893-0616-16	Relä Skruv	Relay Screw	
18	1	1134-5305-01	Front Nedre Gul	Lower Hood Yellow	
19	2	9893-0616-16	Relä Skruv	Relay Screw	
20	1	1134-5320-02	Front-Övre Hst Gul	Front Cover Yellow	
21	2	9946-0525-16	Skruv	Screw	
22	1	1134-6241-01	Huvstöd (Svart) 5-01	Hood Support	
23	3	9893-0616-16	Relä Skruv	Relay Screw	
24	1	1134-3970-05	Kantlist-Vä (Grå) 7-14	Moulding-Left (Grey)	
25	1	1134-3970-02	Kantlist-Hö (Grå) 7-14	Moulding Right-Grey	
26	2	9893-0616-16	Relä Skruv	Relay Screw	
27	2	9699-0060-02	Bricka	Washer	
28	2	9747-0631-02	Mutter Låsmutter	Nut	
29	2	9897-0616-16	Skruv	Screw	
99	1	1134-6440-03	Dekal	Label	



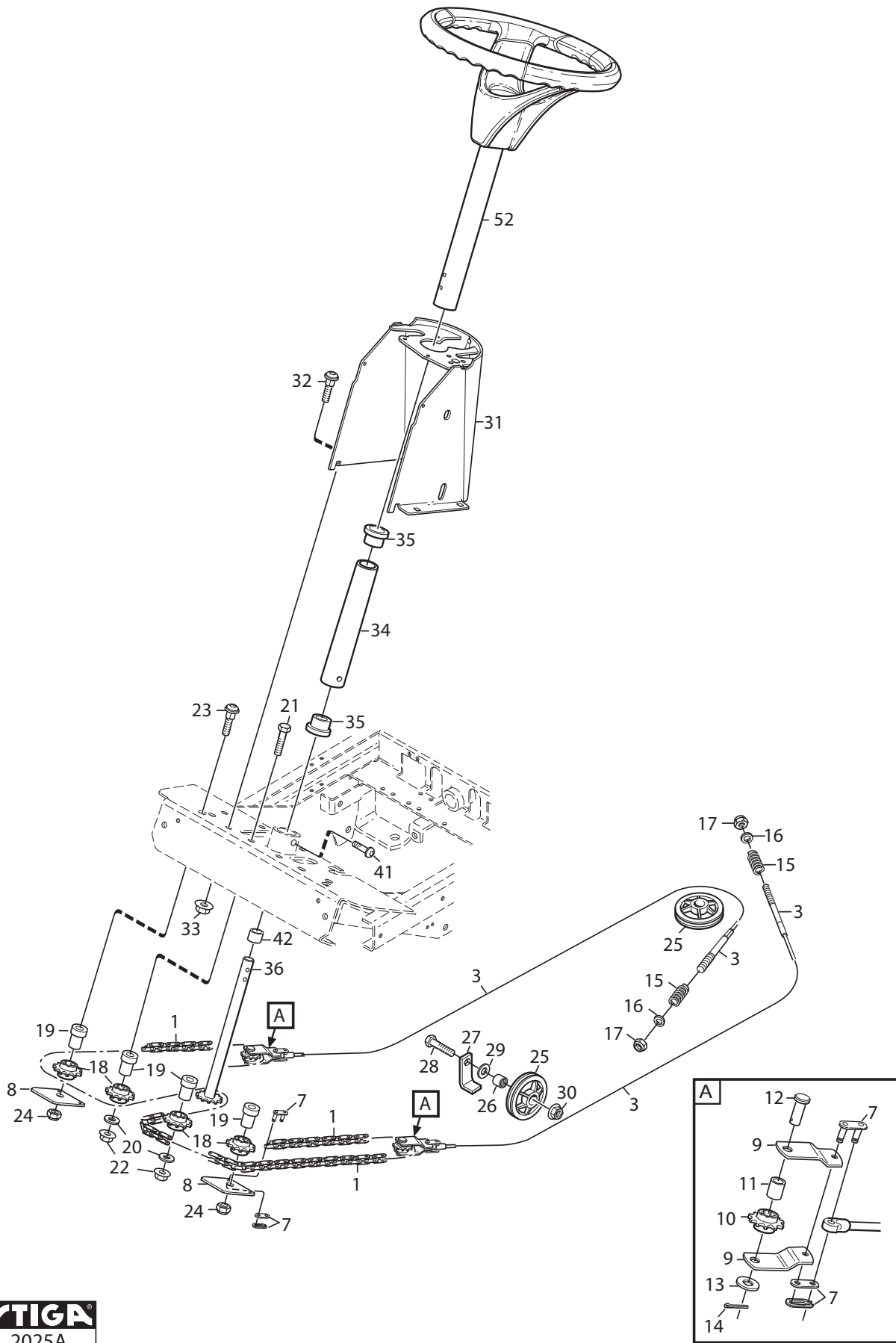
Utgåva Issue 43 - 2014		Ram	Frame		
Pos. Fig.	Antal Quantity	Art nr Part No	Benämning	Description	Anmärkning Notes
1	1	1137-0100-01	Ram-Främre	Frame-Front	
2	1	1134-3963-02	Midjegaffel Service 5-01 H10	Fork	
3	1	1134-0031-00	Ledaxelstopp	Pivot Shaft Stop	
4	1	9595-0262-00	Spännstift	Locating Pin	Rak/straight
5	1	9501-0500-00	Smörjkopp Kort Rak	Grease Dispenser	90°
5	1	9501-0504-01	Smörjnippel	Grease Nipple M6 90	
7	1	1134-6466-01	Ram-Bakre Kpl (5-01)	Frame-Rear Assy	
8	1	1134-5705-01	Distans	Spacer	
9	2	9547-0001-00	Ledlager Ge17Es	Bearing	
10	2	9501-0500-00	Smörjkopp Kort Rak	Grease Dispenser	
11	1	1134-5988-01	Centrumaxel	Centre Shaft	
13	2	9699-0035-02	Bricka	Washer	
14	2	9959-1025-16	Skruv	Screw	
16	1	1134-6586-01	Durk (5-01)	Floor Plate	
17	1	1134-6372-04	Durkmatta	Floor Mat Hst	
18	2	9893-0616-16	Relä Skruv	Relay Screw	
19	2	9403-0048-70	Täckpropp Ikpt 13-6,5S	Cover Plug	
20	2	9945-0816-16	Skruv	Screw	
21	2	9959-0820-16	Skruv	Screw	
22	2	9739-0831-22	Mutter	Nut	
31	1	1134-5337-02	Stötfångare-bakre, grå	Bumper Assy-Rear Grey	
32	2	1134-0240-00	Skruv	Screw	
33	2	1134-4242-01	Distansbricka	Washer	
34	2	9665-0002-00	Bricka	Washer	
35	2	9747-0831-02	Mutter Låsmutter	Nut	
36	2	9943-0516-16	Skruv	Screw	
37	2	1134-5345-01	Batterihållare	Battery Holder	
38	1	1134-5344-01	Batterihylla	Battery Shelf	
39	4	9945-0816-16	Skruv	Screw	



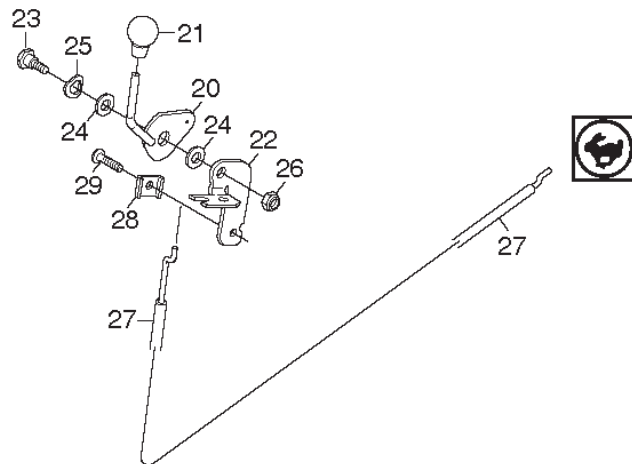
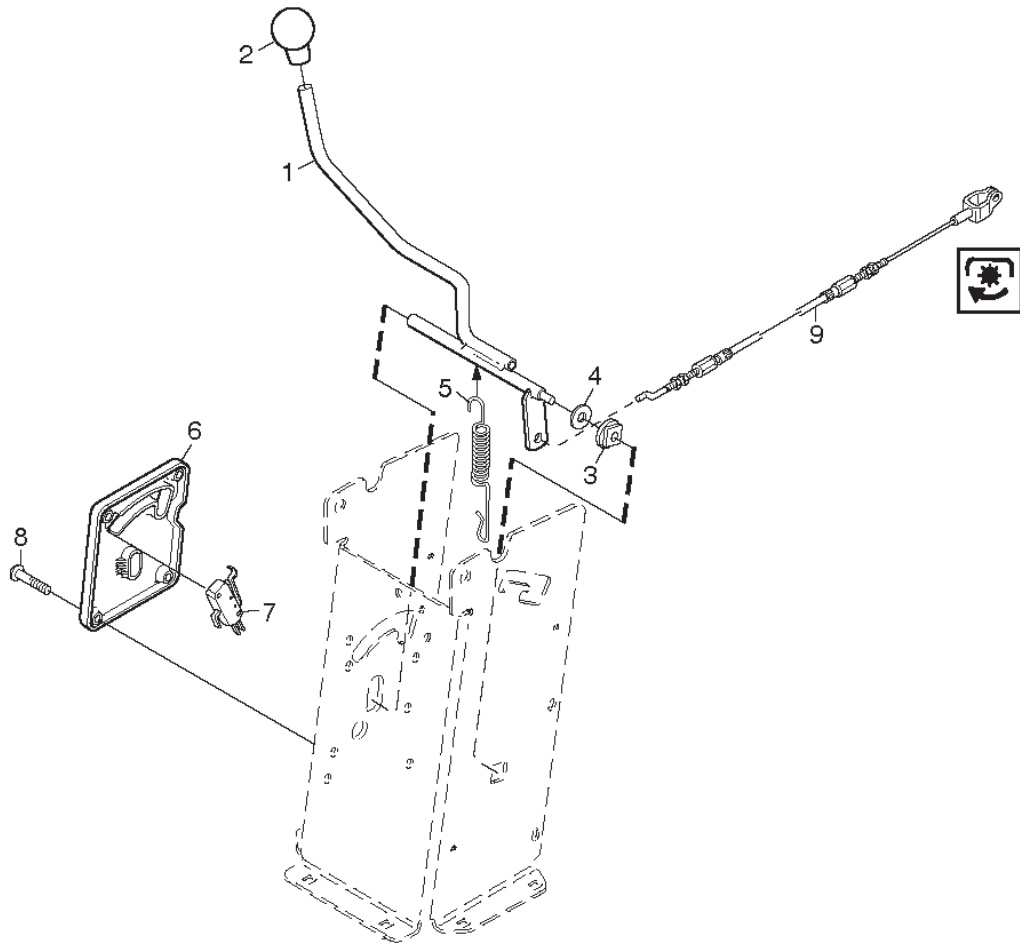
Utgåva Issue 43 - 2014		Pedallyft Pedal lift			
Pos. Fig.	Antal Quantity	Art nr Part No	Benämning	Description	Anmärkning Notes
1	1	1134-4117-01	Fäste	Bracket	
2	2	1134-2684-01	Lager	Bearing	
3	1	1134-4945-01	Lyftspärr kpl	Lift Catch Assy	
7	1	9404-0027-01	O-ring	O-ring	
8	1	9650-0039-04	Spårring Sga 8	Lock Ring	
9	1	9595-0276-01	Spiralspännstift 8*24	Locating Pin	
10	1	9997-0640-12	Skruv	Screw	
11	1	9747-0631-02	Mutter Låsmutter	Nut	
13	1	9897-0820-16	Skruv	Screw	
14	1	9747-0831-02	Mutter Låsmutter	Nut	
15	1	1134-4860-01	Lyftgaffel	Lift Fork	
16	2	1134-0240-00	Skruv	Screw	
17	1	1134-4938-01	Lyftpedal	Lift Pedal	
18	2	9997-0625-16	Skruv	Screw	
19	2	9739-0631-22	Mutter Strålkastare	Nut Working lamp	
20	1	4231-0013-00	Fjäder	Spring	



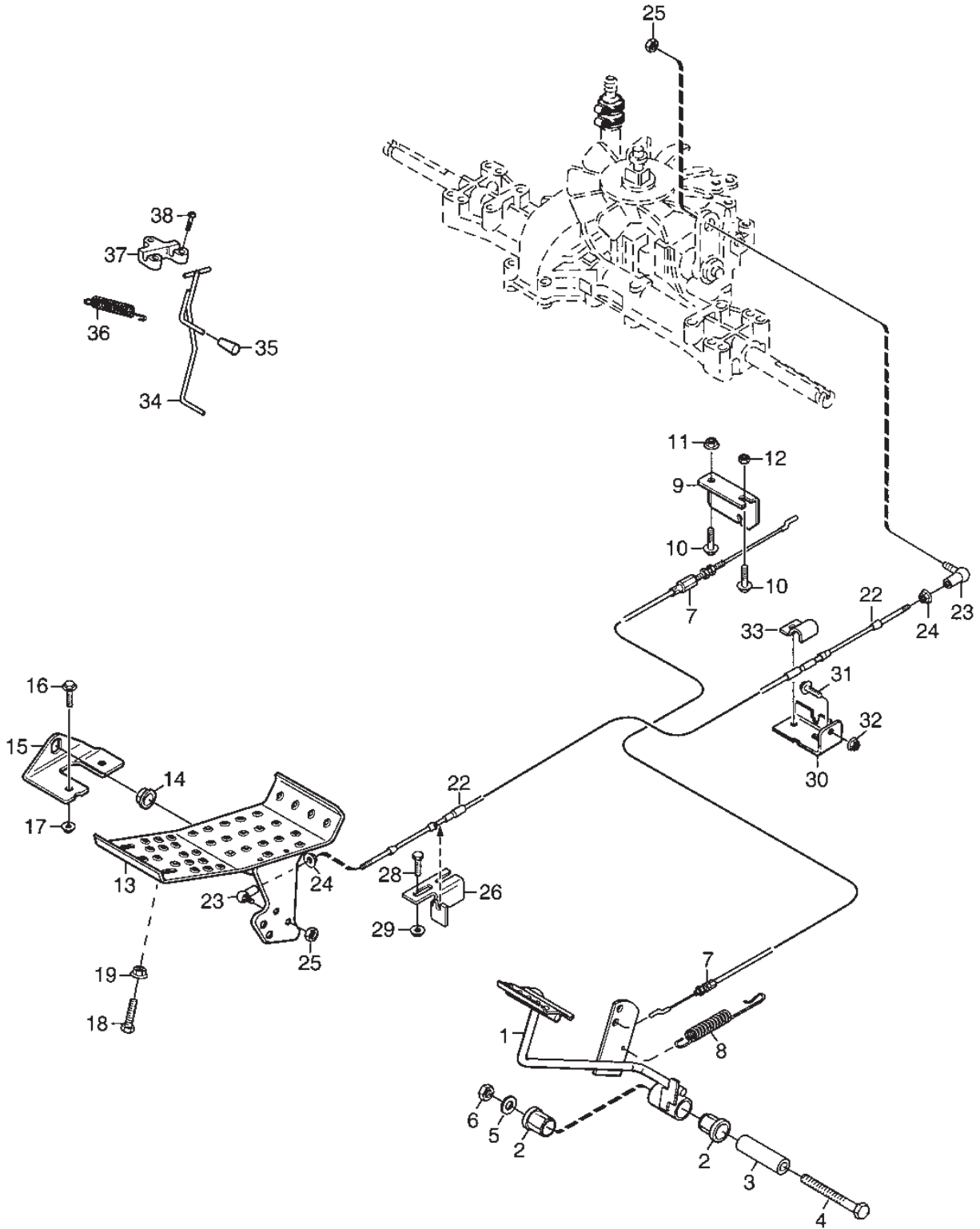
Utgåva Issue 43 - 2014		Sits	Seat		
Pos. Fig.	Antal Quantity	Art nr Part No	Benämning	Description	Anmärkning Notes
2	1	1134-6444-01	Sits (Xb 150) Stiga	Seat	
3	1	1134-5301-01	Sitsplatta	Upper Seat Bracket	
4	2	1134-0240-00	Skruv	Screw	
5	2	9747-0831-02	Mutter Låsmutter	Nut	
6	1	1134-5454-01	Spärr	Catch	
7	1	9675-0012-02	Starlock	Locking washer	
10	4	9893-0616-16	Relä Skruv	Relay Screw	
11	1	1134-5300-01	Bakstycke Gul	Rear Plate, Yellow	
12	1	1134-5296-04	Sitskonsol Kpl (Gul) 1-00	Seat Bracket (Yellow)	
13	1	1134-4256-01	Fjäder	Spring	
14	1	9924-1235-19	Skruv	Screw	
15	1	9747-1231-02	Mutter	Nut	
16	1	9997-0840-16	Skruv	Screw	
17	1	1134-1565-06	Distans	Spacer	
18	1	1134-5302-01	Fjäder	Spring	
19	1	1134-5299-01	Tryckplatta	Push Plate	
20	1	9699-0090-02	Bricka	Washer	
21	1	9747-0831-02	Mutter Låsmutter	Nut	
22	1	1134-3156-02	Brytare (grå)	Switch	
26	2	9897-0880-12	Skruv	Screw	L = 80 mm
27	2	1134-1565-08	Distans	Spacer	
28	4	9897-0820-16	Skruv	Screw	L = 20 mm
29	6	9747-0831-02	Mutter Låsmutter	Nut	



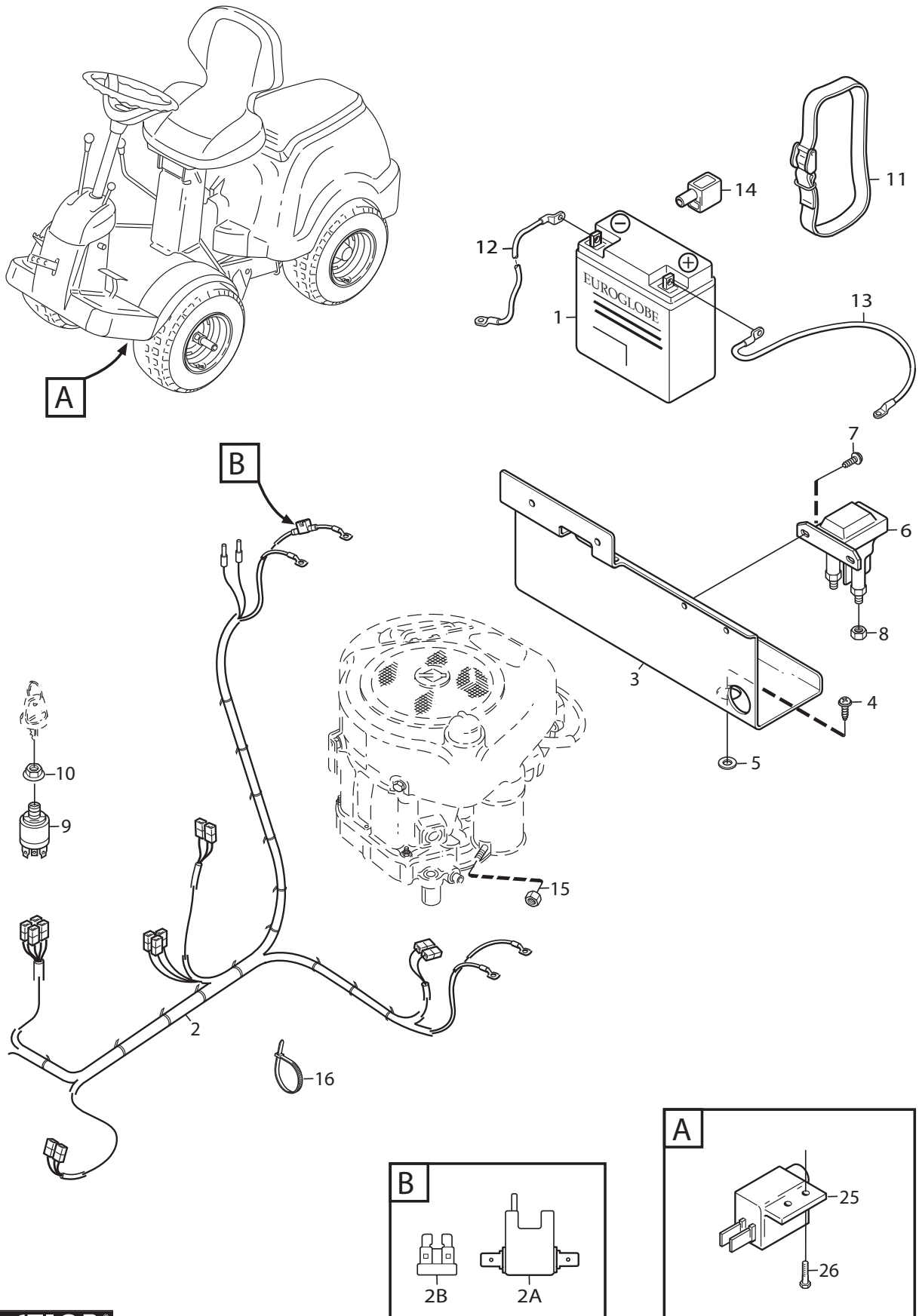
Utgåva Issue 43 - 2014		Styrning Steering			
Pos. Fig.	Antal Quantity	Art nr Part No	Benämning	Description	Anmärkning Notes
1	1	1134-6374-10	Kedja	Chain	
3	1	1134-9099-01	Styrwire	Steering Wire	
7	4	1134-2824-02	Kedjelås Fz	Chain Lock	
8	2	1134-5652-01	Fäste	Attachment	
9	4	1134-5651-01	Fäste	Bracket	
10	2	1134-2816-01	Kedjehjul	Sprocket	
11	2	1134-0041-02	Bussning	Bushing	
12	2	1134-4817-01	Stift	Pin	
13	2	9699-0035-02	Bricka	Washer	
14	2	9599-0054-02	SaxSprint	Split Pin	
15	2	1134-3817-01	Fjäder	Spring	
16	2	9699-0090-02	Bricka	Washer	
17	2	9747-0831-02	Mutter Låsmutter	Nut	
18	4	1134-2816-01	Kedjehjul	Sprocket	
19	4	1134-5653-01	Distans	Spacer	
20	2	9699-0035-02	Bricka	Washer	
21	2	9997-1060-12	Skruv	Screw	
22	2	9739-1031-22	Mutter	Nut	
23	2	9897-1060-12	Skruv	Screw	
24	2	9731-1031-22	Mutter	Nut	
25	2	1134-9025-01	Linhjul	Steering Pulley	
26	2	1134-0041-01	Bussning	Bushing	
27	2	1134-0046-00	Wireklämma	Wire Clamp	
28	2	9997-1040-16	Skruv	Screw	
29	2	9699-0035-02	Bricka	Washer	
30	2	9739-1031-22	Mutter	Nut	
31	1	1134-5349-01	Styrkonsol Kpl (Gul) 1-00	Steering Console (Yellow) 1-00	
32	4	9897-0820-16	Skruv	Screw	
33	4	9739-0831-22	Mutter	Nut	
34	1	1134-1305-05	Rattrör Nedre	Steering Column, Lower	
35	2	1134-1901-01	Lager	Bearing	
36	1	1134-2821-05	Rattstång	Steering Rod	
41	2	9893-0616-16	Relä Skruv	Relay Screw	
42	1	1134-2837-03	Distans	Spacer	
52	1	1134-5496-01	Ratt	Steering Wheel	



Utgåva Issue 43 - 2014		Handreglage Hand controls			
Pos. Fig.	Antal Quantity	Art nr Part No	Benämning	Description	Anmärkning Notes
1	1	1134-6301-01	Aggregatsspak5-01	Engage Lever	
2	1	1134-2551-01	Knopp	Knob	
3	1	1134-3790-02	Lager	Bearing	
4	1	9699-0090-02	Bricka	Washer	
5	1	4231-0013-00	Fjäder	Spring	
6	1	1134-5368-01	Panel	Dashboard	
7	1	9400-0312-01	Mikrobrytare	Microswitch	
8	4	9946-0525-16	Skruv	Screw	
9	1	1134-3573-05	Reglagewire	Control Cable	
20	1	1134-5465-01	Gasreglage	Throttle Control Lever	
21	1	1134-4078-01	Knopp	Knob	
22	1	1134-5464-01	Fäste	Bracket	
23	1	1134-0240-00	Skruv	Screw	
24	2	1134-4242-01	Distansbricka	Washer	
25	1	9694-0001-00	Bricka	Washer	
26	1	9747-0831-02	Mutter Låsmutter	Nut	
27	1	1134-4197-03	Gasreglage	Throttle Cable	
28	1	9500-9991-00	Kabelklämma	Wire Clamp	
29	1	9943-0516-16	Skruv	Screw	

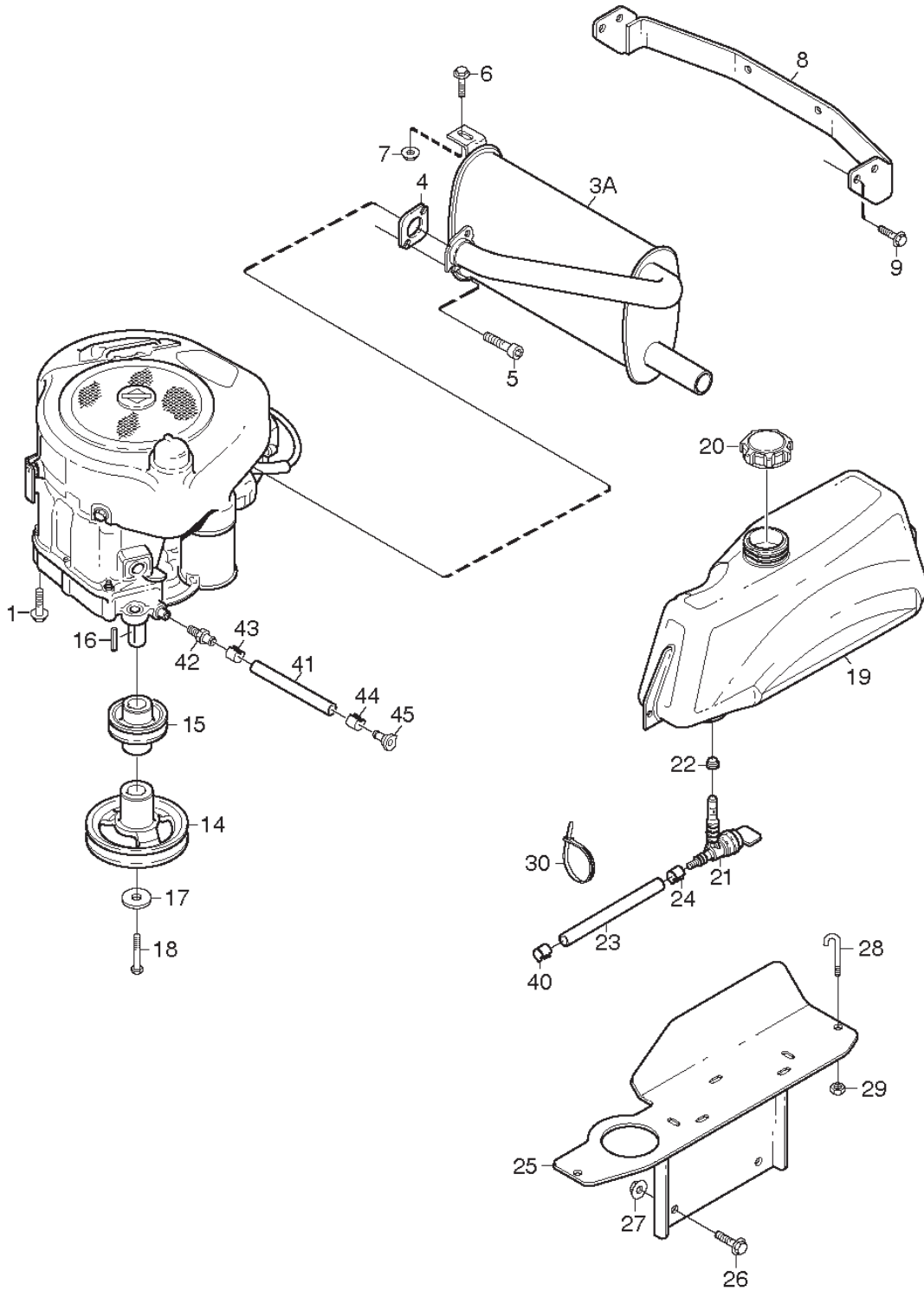


Utgåva Issue 43 - 2014		Fotreglage		Foot controls	
Pos. Fig.	Antal Quantity	Art nr Part No	Benämning	Description	Anmärkning Notes
1	1	1134-5655-01	Kopplingspedal Kpl	Clutch Pedal	
2	1	1134-9024-01	Lager (4 St)	Bearing	Sats 4 st/kit of 4
3	1	1134-5677-02	Distans	Spacer	
4	1	9997-1070-12	Skruv	Screw	
5	1	9699-0030-02	Bricka	Washer	
6	1	9739-1031-22	Mutter	Nut	
7	1	1134-6005-01	Reglagewire	Control Cable	
8	1	4231-0013-00	Fjäder	Spring	
9	1	1134-3906-01	Vajerfäste 24	Cabel Holder	
9	1	1134-6467-01	Wirefäste	Cable Holder	
10	2	9959-0820-16	Skruv	Screw	
11	1	9739-0831-22	Mutter	Nut	
12	1	9747-0831-02	Mutter Låsmutter	Nut	
13	1	1134-6353-01	Drivpedal	Drive Pedal	
14	2	1134-6313-01	Lager	Bearing	
15	2	1134-2700-01	Fäste	Bracket	
16	2	9959-0820-16	Skruv	Screw	
17	2	9739-0831-22	Mutter	Nut	
18	1	9997-0835-16	Skruv	Screw	
19	1	9739-0831-22	Mutter	Nut	
22	1	1134-2766-05	Reglagevajer	Speed Control Cable	
23	2	9570-0001-00	Vinkellänk As8 Din 71802M5	Elbow Link	
24	2	9739-0531-22	Mutter	Nut	
25	2	9747-0531-02	Mutter	Nut	
26	1	1134-6317-01	Wirefäste	Wire Bracket	
28	2	9959-0620-16	Skruv	Screw	
29	2	9739-0631-22	Mutter Strålkastare	Nut Working lamp	
30	1	1134-3395-01	Fäste 24 (5-01)	Attachment	
31	2	9959-0820-16	Skruv	Screw	
32	2	9739-0831-22	Mutter	Nut	
33	1	1134-2021-01	Växelwirefäste	Clamp	
34	1	1134-5353-01	Bromsstång	Brake Rod	
35	1	1134-2786-01	Knopp	Knob	
36	1	1131-1497-01	Fjäder	Brake Spring	
37	1	1134-4002-01	Fäste	Brake Rod Attachment	
38	3	9838-9516-12	Skruv	Screw	

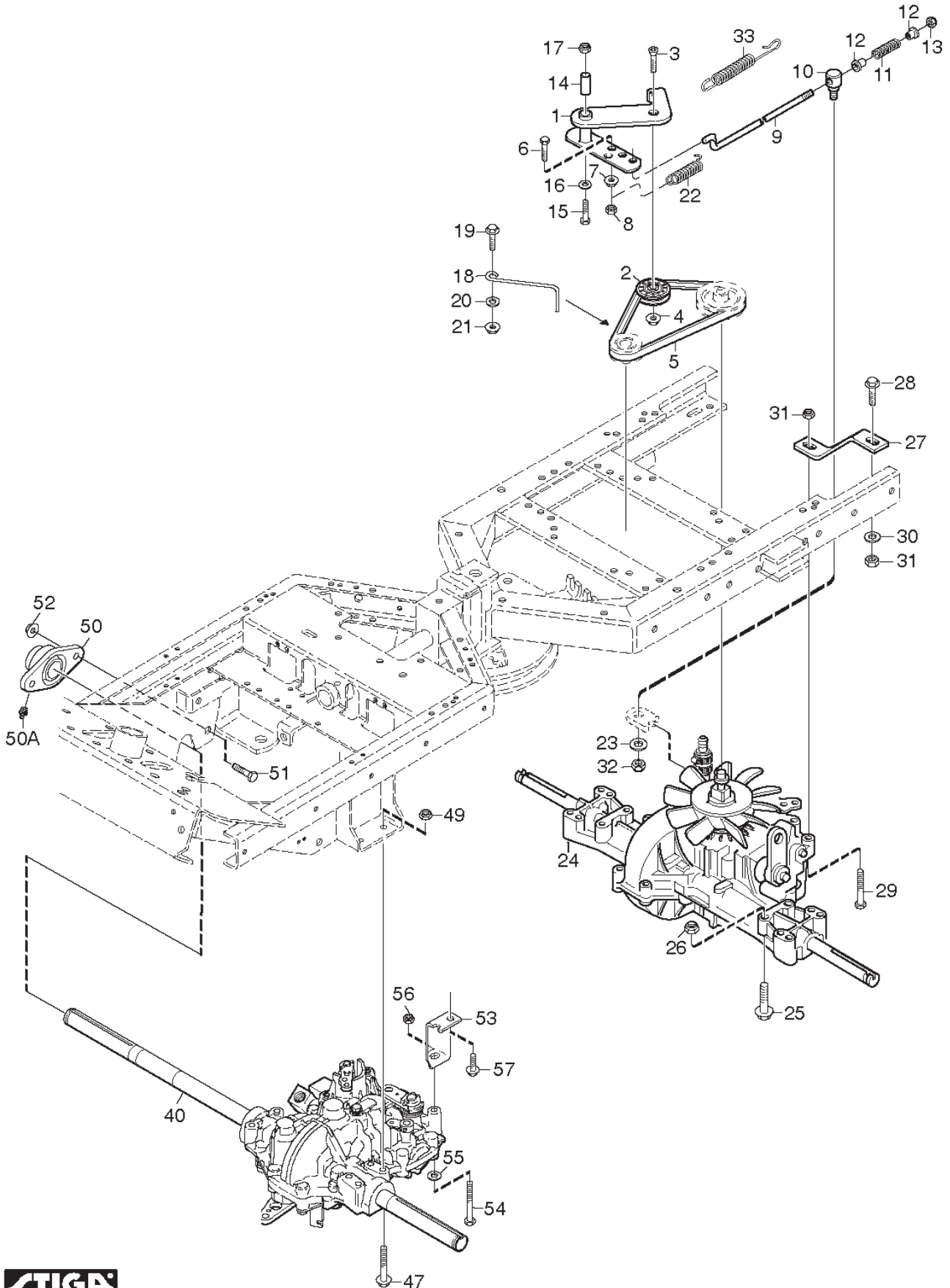


STIGA
1671F
SPARE PARTS

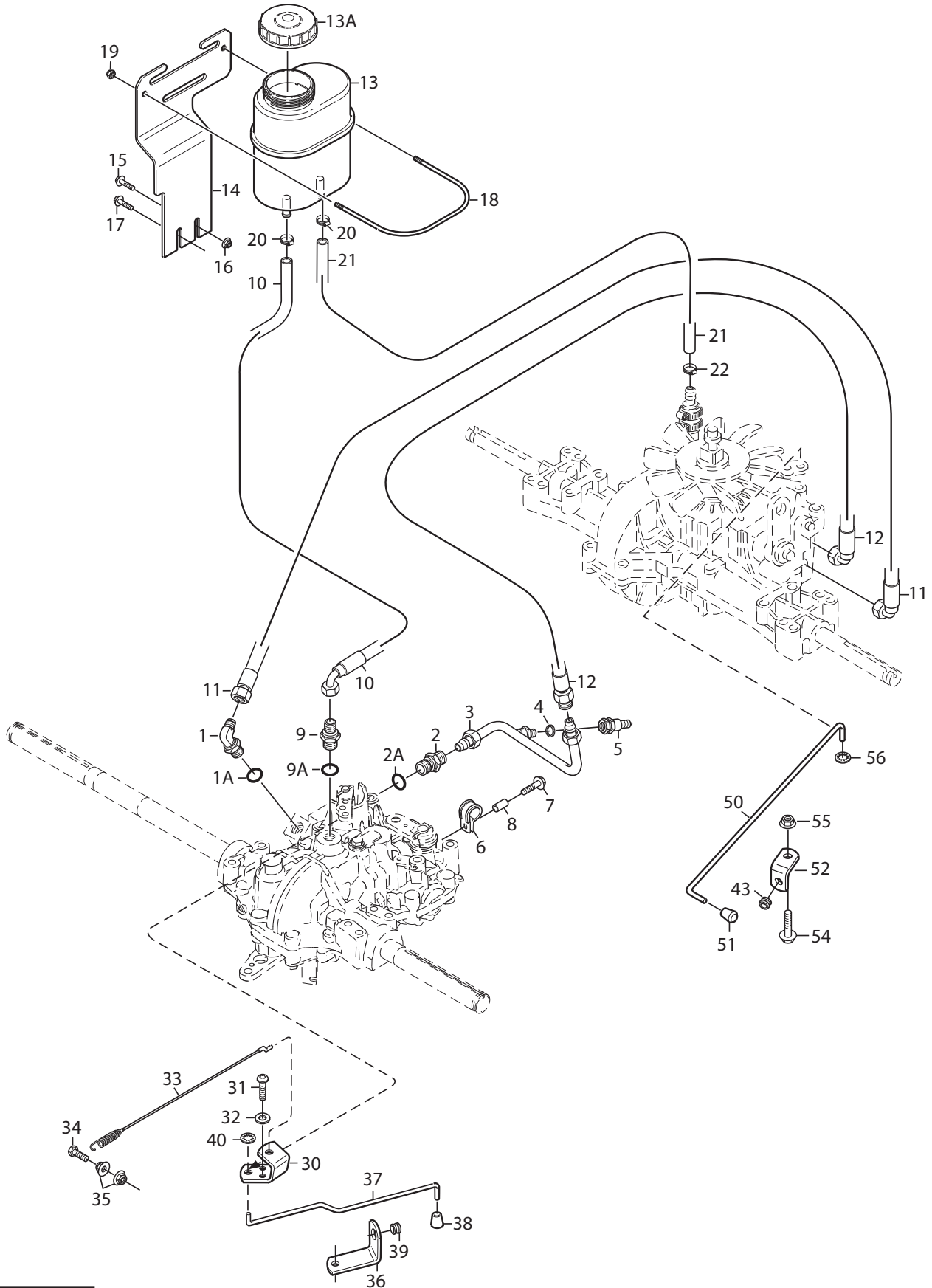
Utgåva Issue 43 - 2014		Elsystem Electric system			
Pos. Fig.	Antal Quantity	Art nr Part No	Benämning	Description	Anmärkning Notes
1	1	1134-4804-01	Batteri	Battery	
2	1	9400-0327-01	Säkringshållare Inkl 20A Säkring	Fuse Holder Incl Fuse	Inkl. pos 2B
2	1	1134-5769-01	Kablage Kablage (Park kplact Hst)	Harness Harness (Park Compact Hst)	Inkl. pos 2A
2	1	1134-3496-06	Säkring (20A)	Fuse (20A)	20A
3	1	1134-5343-01	Batterikonsol	Battery Bracket	
4	3	9852-8013-16	Skruv	Screw	
5	2	9699-0060-02	Bricka	Washer	
6	1	1134-2962-01	Solenoid Kpl Service	Solenoid	
7	2	9852-8013-16	Skruv	Screw	
8	2	9794-5131-02	Mutter	Nut	
9	1	1134-4093-01	Tändningslås	Ignition Switch	
10	1	1134-4749-01	Mutter	Nut	
11	1	1134-5245-01	Batterirem	Battery Strap	
12	1	1134-2167-01	Elkabel	Cable	
13	1	1134-0234-02	Batterikabel (+)	Battery Cable (+)	
14	1	1134-2310-01	Batteriskydd	Guard Cap (+)	
15	1	9795-3531-02	Mutter	Nut	
16	15	9579-0003-00	Buntband	Cable Holder	
25	1	1134-3399-02	Brytare	Switch	
26	2	9943-0516-16	Skruv	Screw	



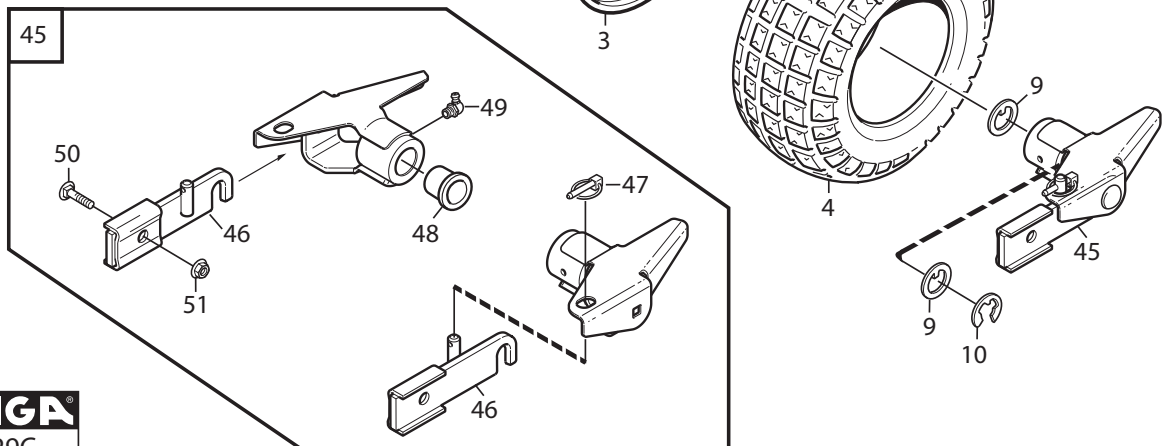
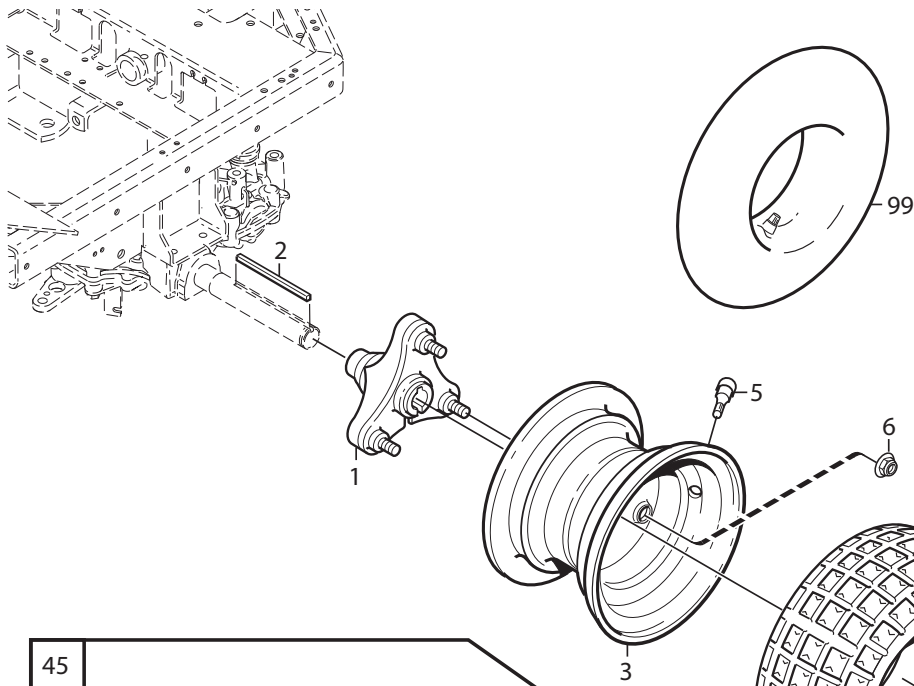
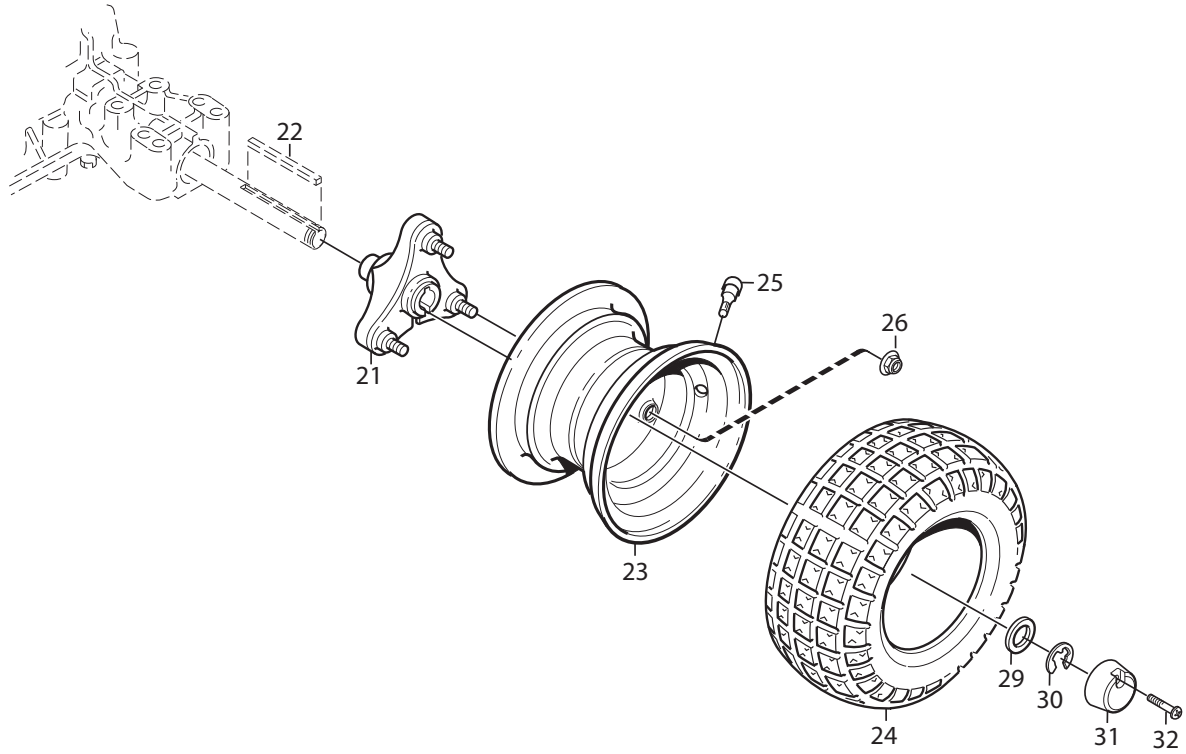
Utgåva Issue 43 - 2014		Motor	Engine		
Pos. Fig.	Antal Quantity	Art nr Part No	Benämning	Description	Anmärkning Notes
1	4	9955-3725-16	Skruv	Screw	3/8" UNC x 25 mm
3	1	1134-7784-01	Ljuddämpare Kpl	Muffler Assy	
4	1	1134-0433-00	Packning	Gasket	
5	2	1134-4930-01	Skruv	Screw	
6	1	9959-0820-16	Skruv	Screw	
7	1	9739-0831-22	Mutter	Nut	
8	1	1134-5390-01	Dragkroksbalk	Tow Bar Bracket	
9	4	9945-0816-16	Skruv	Screw	
14	1	1134-6419-01	Motorremskiva	Engine Pulley	
15	1	1134-6137-01	Motorremskiva	Engine Belt Pulley	
16	1	9600-0251-01	Kil	Key	L = 2 1/2"
17	1	1134-5017-01	Bricka	Washer	
18	1	9987-5332-16	Skruv	Screw	
19	1	1134-6618-01	Bränsletank	Fuel Tank	
20	1	1134-5532-01	Tanklock	Fuel Tank Cap	
21	1	1134-3224-01	Bensinkran	Fuel Shut-Off Valve	
22	1	1134-3225-01	Gummibussning	Grommet	
23	1	1134-2975-07	Bensinslang	Fuel Tube	L = 350 mm
24	1	9578-0023-02	Slangklämma D12*8 (Svart)	Hose Clamp	
25	1	1134-6627-01	Tankfäste	Fuel Tank Bracket	
26	2	9959-0820-16	Skruv	Screw	
27	2	9739-0831-22	Mutter	Nut	
28	2	1134-5346-01	Tankbygel	Fuel Tank Loop	
29	2	9747-0631-02	Mutter Låsmutter	Nut	
30	1	9579-0003-00	Buntband	Cable Holder	
40	1	9578-0023-02	Slangklämma D12*8 (Svart)	Hose Clamp	
41	1	1134-5827-01	Oljeavtappning Kpl	Oil Drain Assy	Pos 42-45 incl.
42	1	1134-5825-01	Nippel	Nipple	
43	1	9578-0023-04	Slangklämma 15*8 (Vit)	Hose Clamp	
44	1	1134-3499-02	Slangklämma	Hose Clamp	
45	1	1134-5826-01	Plugg	Plug	



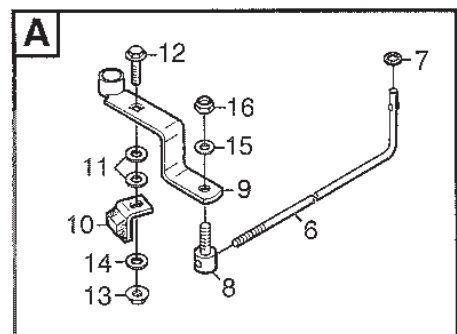
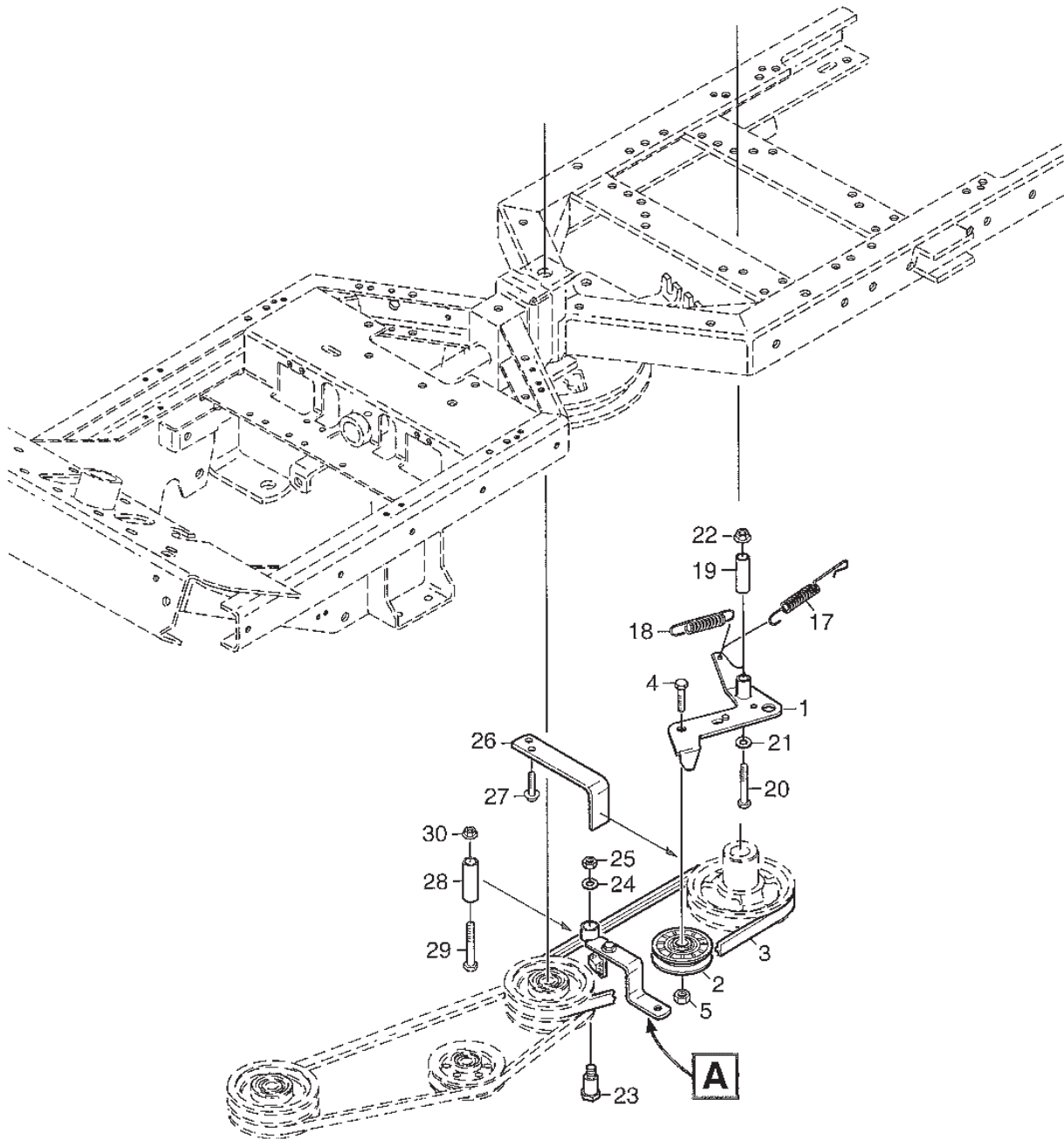
Utgåva Issue 43 - 2014		Transmission			
Pos. Fig.	Antal Quantity	Art nr Part No	Benämning	Description	Anmärkning Notes
1	1	1134-4000-02	Spännarm Kpl 15	Tension Arm	
2	1	1134-3459-01	Spännrulle	Tension Roller	
3	1	9924-1035-16	Skruv	Screw	
4	1	9799-1031-02	Mutter	Nut	
5	1	1134-9058-01	Kilrem	V-Belt	= 9585-0091-01
6	1	9997-0625-16	Skruv	Screw	
7	1	9739-0631-22	Mutter Strålkastare	Nut Working lamp	
8	1	9747-0631-02	Mutter Låsmutter	Nut	
9	1	1134-3377-02	Reglagestång	Control Rod	
10	1	1134-4171-01	Ledtapp	Pivot Pin	
11	1	1134-4183-01	Fjäder	Spring	
12	2	1134-3456-01	Bussning	Bushing	
13	1	9747-0631-02	Mutter Låsmutter	Nut	
14	1	1134-1565-08	Distans	Spacer	
15	1	9997-0870-16	Skruv	Screw	
16	1	9699-0056-02	Bricka	Washer	
17	1	9747-0831-02	Mutter Låsmutter	Nut	
18	1	1134-3289-02	Remstyrning	Belt Guide	
19	1	9959-0820-16	Skruv	Screw	
20	1	9699-0056-02	Bricka	Washer	
21	1	9739-0831-22	Mutter	Nut	
22	1	1134-6414-01	Fjäder	Spring	
23	1	9699-0060-02	Bricka	Washer	
24	1	1134-6394-01	Transaxel (Kanzaki K574G)	Transaxle (Kanzaki K574G)	Kanzaki K574G
25	4	9960-0860-12	Skruv	Screw	
26	4	9747-0831-02	Mutter Låsmutter	Nut	
27	1	1134-3913-01	Reaktionsstag 5-01 F24	Strut	
28	1	9959-0825-16	Skruv	Screw	
29	1	9997-0845-12	Skruv	Screw	
30	1	9699-0090-02	Bricka	Washer	
31	2	9747-0831-02	Mutter Låsmutter	Nut	
32	1	9747-0631-02	Mutter Låsmutter	Nut	
33	1	4231-0013-00	Fjäder	Spring	
40	1	1134-6029-01	Motoraxel-Främre (Ktm10M)	Front Motor Unit (Ktm10M)	Kanzaki KTM 10M
47	2	9960-0860-12	Skruv	Screw	
49	2	9747-0831-02	Mutter Låsmutter	Nut	
50	1	9501-0500-00	Smörjkopp Kort Rak	Grease Dispenser	
50	1	1134-5703-01	Flänslagerenhet	Flange Bearing Unit	
51	2	9997-1040-16	Skruv	Screw	
52	2	9731-1031-22	Mutter	Nut	
53	1	1134-5670-01	Reaktionsstag 5-01	Strut	
54	1	9997-0880-16	Skruv	Screw	
55	1	9699-0090-02	Bricka	Washer	
56	1	9747-0831-02	Mutter Låsmutter	Nut	
57	2	9945-0816-16	Skruv	Screw	



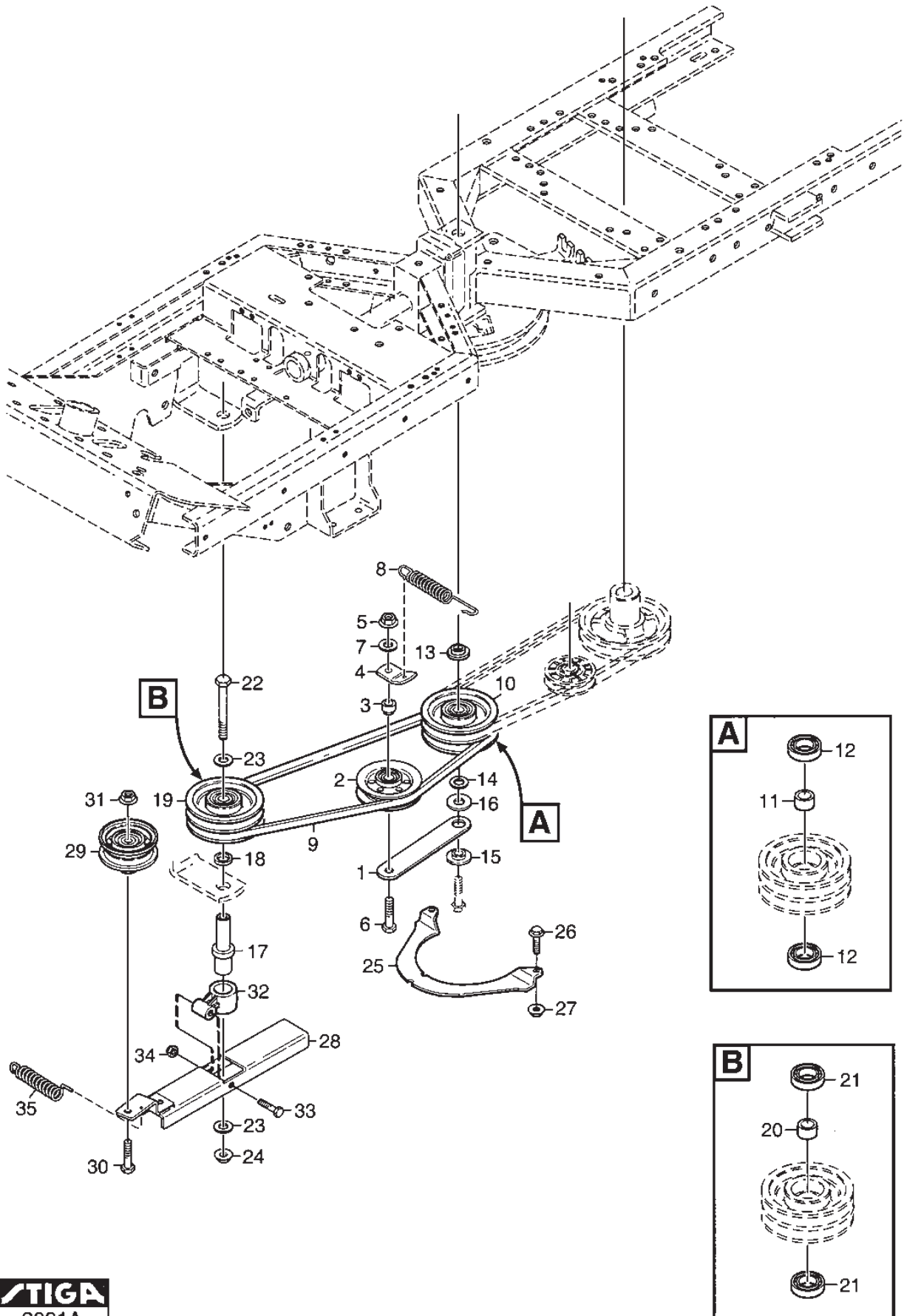
Utgåva Issue 43 - 2014		Transmission		Transmission	
Pos. Fig.	Antal Quantity	Art nr Part No	Benämning	Description	Anmärkning Notes
1	1	1134-6044-01	Vinkeladapter	Hydraulic Angle Coupling	"3/4" x 9/16" "
1	1	9404-0029-01	O-Ring (16,36 X 2,21)	O-ring	
2	1	1134-5875-01	Skärringskoppling	Hydraulic Coupling	"3/4" "
2	1	9404-0029-01	O-Ring (16,36 X 2,21)	O-ring	
3	1	1134-6039-01	Hydraulrör Smst	Hydraulic Pipe Assy	
4	1	1134-4948-01	Bricka	Washer	"1/4" "
5	1	1134-6042-01	Snabbkoppling-Hane 1/4"	Quick Coupling-Male	
6	1	9578-0028-01	Rörklammer	Tube Clamp	
7	1	9959-0825-16	Skruv	Screw	
8	1	1134-1565-09	Distans	Spacer	
9	1	1134-5809-01	Adapter	Hydraulic Coupling	"3/4" x 9/16" "
9	1	9404-0029-01	O-Ring (16,36 X 2,21)	O-ring	
10	1	1137-0215-01	Hydraulslang	Hydraulic Hose	L = 1200
11	1	1137-0195-01	Hydraulslang	Hydraulic Hose	L = 1275
12	1	1137-0212-01	Hydraulslang	Hydraulic Hose	L = 1210
13	1	1134-6011-01	Hydraultank Kpl	Hydraulic Oil Tank Assy	
13	1	1137-0272-01	Tanklock	Tank Cap	
14	1	1134-6009-01	Tankkonsol 5-01	Tank Bracket	
15	1	9959-0820-16	Skruv	Screw	
16	1	9739-0831-22	Mutter	Nut	
17	1	9945-0816-16	Skruv	Screw	
18	1	1134-6030-01	Tankbygel	Tank Loop	
19	2	9747-0631-02	Mutter Låsmutter	Nut	
21	1	1134-2779-08	Rör	Tube	L = 165 mm
22	1	9578-0023-04	Slangklämma 15*8 (Vit)	Hose Clamp	15x8
30	1	1134-6162-01	Fäste	Bracket	
31	2	9939-0612-16	Skruv	Screw	
32	2	9699-0025-02	Bricka	Washer	
33	1	1134-6163-01	Wire (By-Pass Urkoppling)	Wire	
34	1	9997-0835-12	Skruv	Screw	
35	2	9739-0831-22	Mutter	Nut	
36	1	1134-6084-01	Reglagekonsol	Control Bracket	
37	1	1134-6083-01	Reglagestång	Control Rod	
38	1	1134-4014-01	Plastknopp	Knob	
39	1	1134-2790-01	Kabelgenomföring	Cable Protection	
40	1	9675-0009-02	Starlockbricka	Starlock	
50	1	1134-4015-01	Dragstång	Pull Rod	
51	1	1134-4014-01	Plastknopp	Knob	
52	1	1134-4713-01	Vinkelfäste	Angle Bracket	
53	1	1134-2790-01	Kabelgenomföring	Cable Protection	
54	1	9959-0820-16	Skruv	Screw	
55	1	9739-0831-22	Mutter	Nut	
56	1	9675-0009-02	Starlockbricka	Starlock	



Utgåva Issue 43 - 2014		Hjul Wheels			
Pos. Fig.	Antal Quantity	Art nr Part No	Benämning	Description	Anmärkning Notes
1	2	1134-4844-03	Hjulnav Kpl	Wheel Hub Assy	
2	2	1134-3383-02	Kil	Key	
3	2	1134-4558-01	Fälg	Rim	
4	2	9545-0116-00	Däck	Tyre	16 x 7.50 - 8
5	2	9545-0500-00	Ventil	Valve Assy.	
6	6	9731-1031-22	Mutter	Nut	
9	4	1134-5797-01	Bricka	Washer	
10	2	9653-0002-04	Spärryttare	Lock Ring	
21	2	1134-4844-02	Hjulnav Kpl	Wheel Hub Assy	
22	2	1134-2471-01	Kil	Key	
23	2	1134-4558-01	Fälg	Rim	
24	2	9545-0116-00	Däck	Tyre	16 x 7.50 - 8
25	2	9545-0500-00	Ventil	Valve Assy.	
26	6	9731-1031-22	Mutter	Nut	
29	2	9699-0042-02	Bricka	Washer	
30	2	9653-0001-04	Spärryttare Rs	Lock Ring	
31	2	1134-4796-01	Navkapsel	Hub Cap	
32	2	9947-0540-19	Skruv	Screw	
45	1	13-0993-61	Rac Snabbfäste 4Wd Park	Rac Quick Connection 4Wd	Inkl. pos 9,10,46-51
46	1	1134-7465-01	Sats-Fästen (Vä+Hö Inkl Skruv)	Attachment Kit	Inkl. pos 51-51
47	2	1137-0077-01	Låssprint	Locking Pin	
48	4	1134-5686-01	Bussning	Bearing	
49	2	9501-0502-00	Smörjnippel	Grease Joint	
50	2	9898-1035-16	Skruv	Screw	
51	2	9739-1031-22	Mutter	Nut	
99	1	9545-0203-00	Innerslang	Inner Tube	Reservdel/spare part



Utgåva Issue 43 - 2014		Kraftuttag Power take-off			
Pos. Fig.	Antal Quantity	Art nr Part No	Benämning	Description	Anmärkning Notes
1	1	1134-2018-02	Spännarm Kpl	Tension Arm	
2	1	1134-9027-01	Spännrulle (Svart)	Tension Roller (Black)	Grey
2	1	1134-9027-02	Spännrulle (Grå)	Tension Roller (Grey)	Black
3	1	1134-9071-01	Kilrem	V-Belt	= 9585-0129-01
4	1	9997-1030-16	Skruv	Screw	
5	1	9799-1031-02	Mutter	Nut	
6	1	1134-4162-01	Bromsstång	Brake Rod	
7	1	9675-0008-02	Starlockbricka	Starlock	
8	1	1134-4170-01	Nippel	Nippel	
9	1	1134-4111-01	Bromsarm Kpl	Brake Arm	
10	1	1134-4164-03	Bromsklots	Brake Pad	
11	2	9699-0035-02	Bricka	Washer	
12	1	9897-0825-16	Skruv	Screw	
13	1	9747-0831-02	Mutter Låsmutter	Nut	
14	1	9699-0090-02	Bricka	Washer	
15	1	9699-0025-02	Bricka	Washer	
16	1	9747-0631-02	Mutter Låsmutter	Nut	
17	1	4231-0013-00	Fjäder	Spring	
18	1	1134-4231-01	Fjäder	Brake Spring	
19	1	1134-1565-10	Distans	Spacer	
20	1	9997-0860-16	Skruv	Screw	M6S M8x65
20	1	9997-0865-12	Skruv	Screw	M6S M8x60
21	1	9699-0056-02	Bricka	Washer	
22	1	9739-0831-22	Mutter	Nut	
23	1	1134-4163-01	Ansatskruv	Shoulder Bolt	
24	1	9699-0035-02	Bricka	Washer	
25	1	9739-1031-22	Mutter	Nut	
26	1	1134-3958-01	Remstyrning	Belt Guide	
27	2	9893-0616-16	Relä Skruv	Relay Screw	
28	1	1134-0041-03	Bussning	Bushing	
29	1	9997-1070-12	Skruv	Screw	
30	1	9739-1031-22	Mutter	Nut	



STIGA
2031A
SPARE PARTS

Utgåva Issue 43 - 2014		Kraftuttag Power take-off			
Pos. Fig.	Antal Quantity	Art nr Part No	Benämning	Description	Anmärkning Notes
1	1	1134-1730-01	Spännhjulsarm	Tensioning Wheel Arm	
2	1	1134-3663-01	Remskiva	Tension Wheel	
3	1	1134-1888-05	Distans	Spacer	
4	1	1134-1893-01	Fjäder	Spring	
5	1	9739-1031-22	Mutter	Nut	
6	1	9997-1060-12	Skruv	Screw	
7	1	9699-0035-02	Bricka	Washer	
8	1	1134-5713-01	Fjäder	Spring	
9	1	1134-9098-01	Drivrem	Drive Belt	= 9585-0148-01
10	1	1134-1769-03	Centrumremskiva Smst	Centre Belt Pulley	
11	1	1134-0051-09	Distans	Spacer	
12	2	9549-0019-00	Kullager	Ball Bearing	
13	1	1134-5548-01	Distans	Spacer	
14	1	9699-0035-02	Bricka	Washer	
15	1	1134-0222-00	Bricka	Washer	
16	1	9699-0109-02	Bricka	Washer	
17	1	1134-5663-01	Axel	Shaft	
18	1	1134-0052-00	Distans	Spacer	
19	1	1134-1769-03	Centrumremskiva Smst	Centre Belt Pulley	
20	1	1134-0051-09	Distans	Spacer	
21	2	9549-0019-00	Kullager	Ball Bearing	
22	1	9997-1011-06	Skruv	Screw	
23	2	9699-0030-02	Bricka	Washer	
24	1	9739-1031-22	Mutter	Nut	
25	1	1134-3654-01	Fingerskydd 5-01 24	Guard	
26	2	9959-0612-16	Skruv	Screw	
27	2	9739-0631-22	Mutter Strålkastare	Nut Working lamp	
28	1	1134-5660-01	Spännarm Kpl 5-01	Tension Arm Assy	
29	1	1134-5823-01	Spännrulle Kpl	Tension Roller Assy	
30	1	9997-1050-16	Skruv	Screw	
31	1	9739-1031-22	Mutter	Nut	
32	1	1134-6314-01	Spännarmsfäste	Tension Arm Attachment	
33	1	9997-0645-12	Skruv	Screw	
34	1	9747-0631-02	Mutter Låsmutter	Nut	
35	1	1134-5824-01	Fjäder	Spring	

code	pos.	q.ty	page									
13-0993-61	45	1	p. 27	1134-3817-01	15	2	p. 13	1134-5368-01	6	1	p. 15	
1131-1497-01	36	1	p. 17	1134-3906-01	9	1	p. 17	1134-5390-01	8	1	p. 21	
1134-0031-00	3	1	p. 7	1134-3913-01	27	1	p. 23	1134-5454-01	6	1	p. 11	
1134-0041-01	26	2	p. 13	1134-3958-01	26	1	p. 29	1134-5464-01	22	1	p. 15	
1134-0041-02	11	2	p. 13	1134-3963-02	2	1	p. 7	1134-5465-01	20	1	p. 15	
1134-0041-03	28	1	p. 29	1134-3970-02	25	1	p. 5	1134-5496-01	52	1	p. 13	
1134-0046-00	27	2	p. 13	1134-3970-05	24	1	p. 5	1134-5512-01	13	1	p. 3	
1134-0051-09	11	1	p. 31	1134-4000-02	1	1	p. 23	1134-5532-01	20	1	p. 21	
1134-0051-09	20	1	p. 31	1134-4002-01	37	1	p. 17	1134-5548-01	13	1	p. 31	
1134-0052-00	18	1	p. 31	1134-4014-01	38	1	p. 25	1134-5651-01	9	4	p. 13	
1134-0222-00	15	1	p. 31	1134-4014-01	51	1	p. 25	1134-5652-01	8	2	p. 13	
1134-0225-00	11	2	p. 5	1134-4015-01	50	1	p. 25	1134-5653-01	19	4	p. 13	
1134-0234-02	13	1	p. 19	1134-4078-01	21	1	p. 15	1134-5655-01	1	1	p. 17	
1134-0240-00	4	2	p. 11	1134-4093-01	9	1	p. 19	1134-5660-01	28	1	p. 31	
1134-0240-00	16	2	p. 9	1134-4111-01	9	1	p. 29	1134-5663-01	17	1	p. 31	
1134-0240-00	23	1	p. 15	1134-4117-01	1	1	p. 9	1134-5670-01	53	1	p. 23	
1134-0240-00	32	2	p. 7	1134-4162-01	6	1	p. 29	1134-5677-02	3	1	p. 17	
1134-0433-00	4	1	p. 21	1134-4163-01	23	1	p. 29	1134-5686-01	48	4	p. 27	
1134-1305-05	34	1	p. 13	1134-4164-03	10	1	p. 29	1134-5703-01	50	1	p. 23	
1134-1565-06	17	1	p. 11	1134-4170-01	8	1	p. 29	1134-5705-01	8	1	p. 7	
1134-1565-08	14	1	p. 23	1134-4171-01	10	1	p. 23	1134-5713-01	8	1	p. 31	
1134-1565-08	27	2	p. 11	1134-4176-01	10	4	p. 5	1134-5769-01	2	1	p. 19	
1134-1565-09	8	1	p. 25	1134-4183-01	11	1	p. 23	1134-5797-01	9	4	p. 27	
1134-1565-10	19	1	p. 29	1134-4185-01	6	2	p. 3	1134-5809-01	9	1	p. 25	
1134-1730-01	1	1	p. 31	1134-4197-03	27	1	p. 15	1134-5823-01	29	1	p. 31	
1134-1769-03	10	1	p. 31	1134-4231-01	18	1	p. 29	1134-5824-01	35	1	p. 31	
1134-1769-03	19	1	p. 31	1134-4242-01	24	2	p. 15	1134-5825-01	42	1	p. 21	
1134-1888-05	3	1	p. 31	1134-4242-01	33	2	p. 7	1134-5826-01	45	1	p. 21	
1134-1893-01	4	1	p. 31	1134-4256-01	13	1	p. 11	1134-5827-01	41	1	p. 21	
1134-1901-01	35	2	p. 13	1134-4481-01	8	2	p. 3	1134-5875-01	2	1	p. 25	
1134-2018-02	1	1	p. 29	1134-4558-01	3	2	p. 27	1134-5988-01	11	1	p. 7	
1134-2021-01	33	1	p. 17	1134-4558-01	23	2	p. 27	1134-6005-01	7	1	p. 17	
1134-2167-01	12	1	p. 19	1134-4713-01	52	1	p. 25	1134-6009-01	14	1	p. 25	
1134-2310-01	14	1	p. 19	1134-4734-01	10	2	p. 3	1134-6011-01	13	1	p. 25	
1134-2471-01	22	2	p. 27	1134-4749-01	10	1	p. 19	1134-6029-01	40	1	p. 23	
1134-2551-01	2	1	p. 15	1134-4796-01	31	2	p. 27	1134-6030-01	18	1	p. 25	
1134-2684-01	2	2	p. 9	1134-4804-01	1	1	p. 19	1134-6039-01	3	1	p. 25	
1134-2700-01	15	2	p. 17	1134-4817-01	12	2	p. 13	1134-6042-01	5	1	p. 25	
1134-2766-05	22	1	p. 17	1134-4844-02	21	2	p. 27	1134-6044-01	1	1	p. 25	
1134-2779-08	21	1	p. 25	1134-4844-03	1	2	p. 27	1134-6083-01	37	1	p. 25	
1134-2786-01	35	1	p. 17	1134-4860-01	15	1	p. 9	1134-6084-01	36	1	p. 25	
1134-2790-01	39	1	p. 25	1134-4930-01	5	2	p. 21	1134-6113-01	2	1	p. 3	
1134-2790-01	53	1	p. 25	1134-4938-01	17	1	p. 9	1134-6137-01	15	1	p. 21	
1134-2816-01	10	2	p. 13	1134-4945-01	3	1	p. 9	1134-6162-01	30	1	p. 25	
1134-2816-01	18	4	p. 13	1134-4948-01	4	1	p. 25	1134-6163-01	33	1	p. 25	
1134-2821-05	36	1	p. 13	1134-5017-01	17	1	p. 21	1134-6241-01	22	1	p. 5	
1134-2824-02	7	4	p. 13	1134-5245-01	11	1	p. 19	1134-6301-01	1	1	p. 15	
1134-2837-03	42	1	p. 13	1134-5263-02	1	1	p. 5	1134-6313-01	14	2	p. 17	
1134-2962-01	6	1	p. 19	1134-5264-01	6	1	p. 5	1134-6314-01	32	1	p. 31	
1134-2975-07	23	1	p. 21	1134-5296-04	12	1	p. 11	1134-6317-01	26	1	p. 17	
1134-3156-02	22	1	p. 11	1134-5299-01	19	1	p. 11	1134-6353-01	13	1	p. 17	
1134-3224-01	21	1	p. 21	1134-5300-01	11	1	p. 11	1134-6372-04	17	1	p. 7	
1134-3225-01	22	1	p. 21	1134-5301-01	3	1	p. 11	1134-6374-10	1	1	p. 13	
1134-3289-02	18	1	p. 23	1134-5302-01	18	1	p. 11	1134-6394-01	24	1	p. 23	
1134-3377-02	9	1	p. 23	1134-5305-01	18	1	p. 5	1134-6414-01	22	1	p. 23	
1134-3383-02	2	2	p. 27	1134-5306-01	14	1	p. 5	1134-6419-01	14	1	p. 21	
1134-3395-01	30	1	p. 17	1134-5306-02	15	1	p. 5	1134-6440-03	99	1	p. 5	
1134-3399-02	25	1	p. 19	1134-5308-01	7	1	p. 5	1134-6444-01	2	1	p. 11	
1134-3456-01	12	2	p. 23	1134-5308-02	8	1	p. 5	1134-6466-01	7	1	p. 7	
1134-3459-01	2	1	p. 23	1134-5320-02	20	1	p. 5	1134-6467-01	9	1	p. 17	
1134-3496-06	2	1	p. 19	1134-5337-02	31	1	p. 7	1134-6586-01	16	1	p. 7	
1134-3499-02	44	1	p. 21	1134-5343-01	3	1	p. 19	1134-6618-01	19	1	p. 21	
1134-3573-05	9	1	p. 15	1134-5344-01	38	1	p. 7	1134-6627-01	25	1	p. 21	
1134-3654-01	25	1	p. 31	1134-5345-01	37	2	p. 7	1134-7465-01	46	1	p. 27	
1134-3663-01	2	1	p. 31	1134-5346-01	28	2	p. 21	1134-7784-01	3	1	p. 21	
1134-3790-02	3	1	p. 15	1134-5349-01	31	1	p. 13	1134-9024-01	2	1	p. 17	
				1134-5353-01	34	1	p. 17	1134-9025-01	25	2	p. 13	

code	pos.	q.ty	page								
1134-9027-01	2	1	p. 29	9699-0025-02	32	2	p. 25	9747-0631-02	16	1	p. 29
1134-9027-02	2	1	p. 29	9699-0030-02	5	1	p. 17	9747-0631-02	19	2	p. 25
1134-9028-01	3	1	p. 5	9699-0030-02	23	2	p. 31	9747-0631-02	28	2	p. 5
1134-9058-01	5	1	p. 23	9699-0035-02	7	1	p. 31	9747-0631-02	29	2	p. 21
1134-9071-01	3	1	p. 29	9699-0035-02	11	2	p. 29	9747-0631-02	32	1	p. 23
1134-9098-01	9	1	p. 31	9699-0035-02	13	2	p. 7	9747-0631-02	34	1	p. 31
1134-9099-01	3	1	p. 13	9699-0035-02	13	2	p. 13	9747-0831-02	5	2	p. 11
1137-0077-01	47	2	p. 27	9699-0035-02	14	1	p. 31	9747-0831-02	12	1	p. 17
1137-0100-01	1	1	p. 7	9699-0035-02	20	2	p. 13	9747-0831-02	13	1	p. 29
1137-0195-01	11	1	p. 25	9699-0035-02	24	1	p. 29	9747-0831-02	14	1	p. 9
1137-0212-01	12	1	p. 25	9699-0035-02	29	2	p. 13	9747-0831-02	17	1	p. 23
1137-0215-01	10	1	p. 25	9699-0042-02	29	2	p. 27	9747-0831-02	17	2	p. 13
1137-0272-01	13	1	p. 25	9699-0056-02	9	4	p. 3	9747-0831-02	21	1	p. 11
4231-0013-00	5	1	p. 15	9699-0056-02	13	4	p. 5	9747-0831-02	26	1	p. 15
4231-0013-00	8	1	p. 17	9699-0056-02	16	1	p. 23	9747-0831-02	26	4	p. 23
4231-0013-00	17	1	p. 29	9699-0056-02	20	1	p. 23	9747-0831-02	29	6	p. 11
4231-0013-00	20	1	p. 9	9699-0056-02	21	1	p. 29	9747-0831-02	31	2	p. 23
4231-0013-00	33	1	p. 23	9699-0060-02	5	2	p. 19	9747-0831-02	35	2	p. 7
8211-0701-91	31	1	p. 3	9699-0060-02	23	1	p. 23	9747-0831-02	49	2	p. 23
8211-0901-90	31	1	p. 3	9699-0060-02	27	2	p. 5	9747-0831-02	56	1	p. 23
8211-0960-90	31	1	p. 3	9699-0090-02	4	1	p. 15	9747-1231-02	15	1	p. 11
9400-0312-01	7	1	p. 15	9699-0090-02	14	1	p. 29	9794-5131-02	8	2	p. 19
9400-0327-01	2	1	p. 19	9699-0090-02	16	2	p. 13	9795-3531-02	15	1	p. 19
9403-0048-70	19	2	p. 7	9699-0090-02	20	1	p. 11	9799-1031-02	4	1	p. 23
9404-0027-01	7	1	p. 9	9699-0090-02	30	1	p. 23	9799-1031-02	5	1	p. 29
9404-0029-01	1	1	p. 25	9699-0090-02	55	1	p. 23	9838-9516-12	38	3	p. 17
9404-0029-01	2	1	p. 25	9699-0103-02	5	1	p. 3	9838-9530-12	2	7	p. 5
9404-0029-01	9	1	p. 25	9699-0109-02	16	1	p. 31	9852-8013-16	4	3	p. 19
9500-9991-00	28	1	p. 15	9699-0114-02	5	1	p. 3	9852-8013-16	7	2	p. 19
9501-0500-00	5	1	p. 7	9699-0120-02	5	1	p. 5	9893-0616-16	9	4	p. 5
9501-0500-00	10	2	p. 7	9731-1031-22	6	6	p. 27	9893-0616-16	10	4	p. 11
9501-0500-00	50	1	p. 23	9731-1031-22	24	2	p. 13	9893-0616-16	16	2	p. 5
9501-0502-00	49	2	p. 27	9731-1031-22	26	6	p. 27	9893-0616-16	18	2	p. 7
9501-0504-01	5	1	p. 7	9731-1031-22	52	2	p. 23	9893-0616-16	19	2	p. 5
9545-0116-00	4	2	p. 27	9739-0531-22	24	2	p. 17	9893-0616-16	23	3	p. 5
9545-0116-00	24	2	p. 27	9739-0631-22	7	1	p. 23	9893-0616-16	26	2	p. 5
9545-0203-00	99	1	p. 27	9739-0631-22	19	2	p. 9	9893-0616-16	27	2	p. 29
9545-0500-00	5	2	p. 27	9739-0631-22	27	2	p. 31	9893-0616-16	41	2	p. 13
9545-0500-00	25	2	p. 27	9739-0631-22	29	2	p. 17	9897-0616-16	29	2	p. 5
9547-0001-00	9	2	p. 7	9739-0831-22	7	1	p. 21	9897-0820-16	13	1	p. 9
9549-0019-00	12	2	p. 31	9739-0831-22	11	1	p. 17	9897-0820-16	28	4	p. 11
9549-0019-00	21	2	p. 31	9739-0831-22	15	2	p. 3	9897-0820-16	32	4	p. 13
9570-0001-00	23	2	p. 17	9739-0831-22	16	1	p. 25	9897-0825-16	12	1	p. 29
9578-0023-02	24	1	p. 21	9739-0831-22	17	2	p. 17	9897-0880-12	26	2	p. 11
9578-0023-02	40	1	p. 21	9739-0831-22	19	1	p. 17	9897-1060-12	23	2	p. 13
9578-0023-04	22	1	p. 25	9739-0831-22	21	1	p. 23	9898-1035-16	18	2	p. 3
9578-0023-04	43	1	p. 21	9739-0831-22	22	1	p. 29	9898-1035-16	50	2	p. 27
9578-0028-01	6	1	p. 25	9739-0831-22	22	2	p. 7	9924-1035-16	3	1	p. 23
9579-0003-00	16	15	p. 19	9739-0831-22	27	2	p. 21	9924-1235-19	14	1	p. 11
9579-0003-00	30	1	p. 21	9739-0831-22	27	2	p. 17	9939-0612-16	31	2	p. 25
9595-0262-00	4	1	p. 7	9739-0831-22	32	2	p. 13	9943-0516-16	26	2	p. 19
9595-0262-00	4	2	p. 3	9739-0831-22	33	4	p. 13	9943-0516-16	29	1	p. 15
9595-0276-01	9	1	p. 9	9739-0831-22	35	2	p. 25	9943-0516-16	29	1	p. 15
9599-0054-02	14	2	p. 13	9739-0831-22	55	1	p. 25	9943-0516-16	36	2	p. 7
9600-0251-01	16	1	p. 21	9739-1031-22	5	1	p. 31	9945-0816-16	9	4	p. 21
9632-0516-00	4	1	p. 5	9739-1031-22	6	1	p. 17	9945-0816-16	12	6	p. 5
9650-0039-04	8	1	p. 9	9739-1031-22	19	2	p. 3	9945-0816-16	17	1	p. 25
9653-0001-04	30	2	p. 27	9739-1031-22	22	2	p. 13	9945-0816-16	20	2	p. 7
9653-0002-04	10	2	p. 27	9739-1031-22	24	1	p. 31	9945-0816-16	39	4	p. 7
9665-0002-00	34	2	p. 7	9739-1031-22	25	1	p. 29	9945-0816-16	57	2	p. 23
9675-0008-02	7	1	p. 29	9739-1031-22	30	1	p. 29	9946-0525-16	8	4	p. 15
9675-0009-02	40	1	p. 25	9739-1031-22	30	2	p. 13	9946-0525-16	21	2	p. 5
9675-0009-02	56	1	p. 25	9739-1031-22	31	1	p. 31	9947-0540-19	32	2	p. 27
9675-0012-02	7	1	p. 11	9739-1031-22	31	1	p. 31	9955-3725-16	1	4	p. 21
9694-0001-00	25	1	p. 15	9739-1031-22	51	2	p. 27	9959-0612-16	26	2	p. 31
9699-0025-02	15	1	p. 29	9747-0531-02	25	2	p. 17	9959-0620-16	28	2	p. 17
				9747-0631-02	8	1	p. 23	9959-0820-16	6	1	p. 21
				9747-0631-02	11	1	p. 9	9959-0820-16	7	2	p. 3
				9747-0631-02	13	1	p. 23				

code	pos.	q.ty	page
9959-0820-16	10	2	p. 17
9959-0820-16	14	2	p. 3
9959-0820-16	15	1	p. 25
9959-0820-16	16	2	p. 17
9959-0820-16	19	1	p. 23
9959-0820-16	21	2	p. 7
9959-0820-16	26	2	p. 21
9959-0820-16	31	2	p. 17
9959-0820-16	54	1	p. 25
9959-0825-16	7	1	p. 25
9959-0825-16	28	1	p. 23
9959-1025-16	14	2	p. 7
9960-0860-12	25	4	p. 23
9960-0860-12	47	2	p. 23
9987-5332-16	18	1	p. 21
9997-0625-16	6	1	p. 23
9997-0625-16	18	2	p. 9
9997-0640-12	10	1	p. 9
9997-0645-12	33	1	p. 31
9997-0820-16	12	2	p. 3
9997-0835-12	34	1	p. 25
9997-0835-16	18	1	p. 17
9997-0840-16	16	1	p. 11
9997-0845-12	29	1	p. 23
9997-0860-16	20	1	p. 29
9997-0865-12	20	1	p. 29
9997-0870-16	15	1	p. 23
9997-0880-16	54	1	p. 23
9997-1011-06	22	1	p. 31
9997-1030-16	4	1	p. 29
9997-1040-16	28	2	p. 13
9997-1040-16	51	2	p. 23
9997-1050-16	30	1	p. 31
9997-1060-12	6	1	p. 31
9997-1060-12	21	2	p. 13
9997-1070-12	4	1	p. 17
9997-1070-12	29	1	p. 29