



Reservdelskatalog Parts Catalogue

Park Pro 21 4WD (ISO)

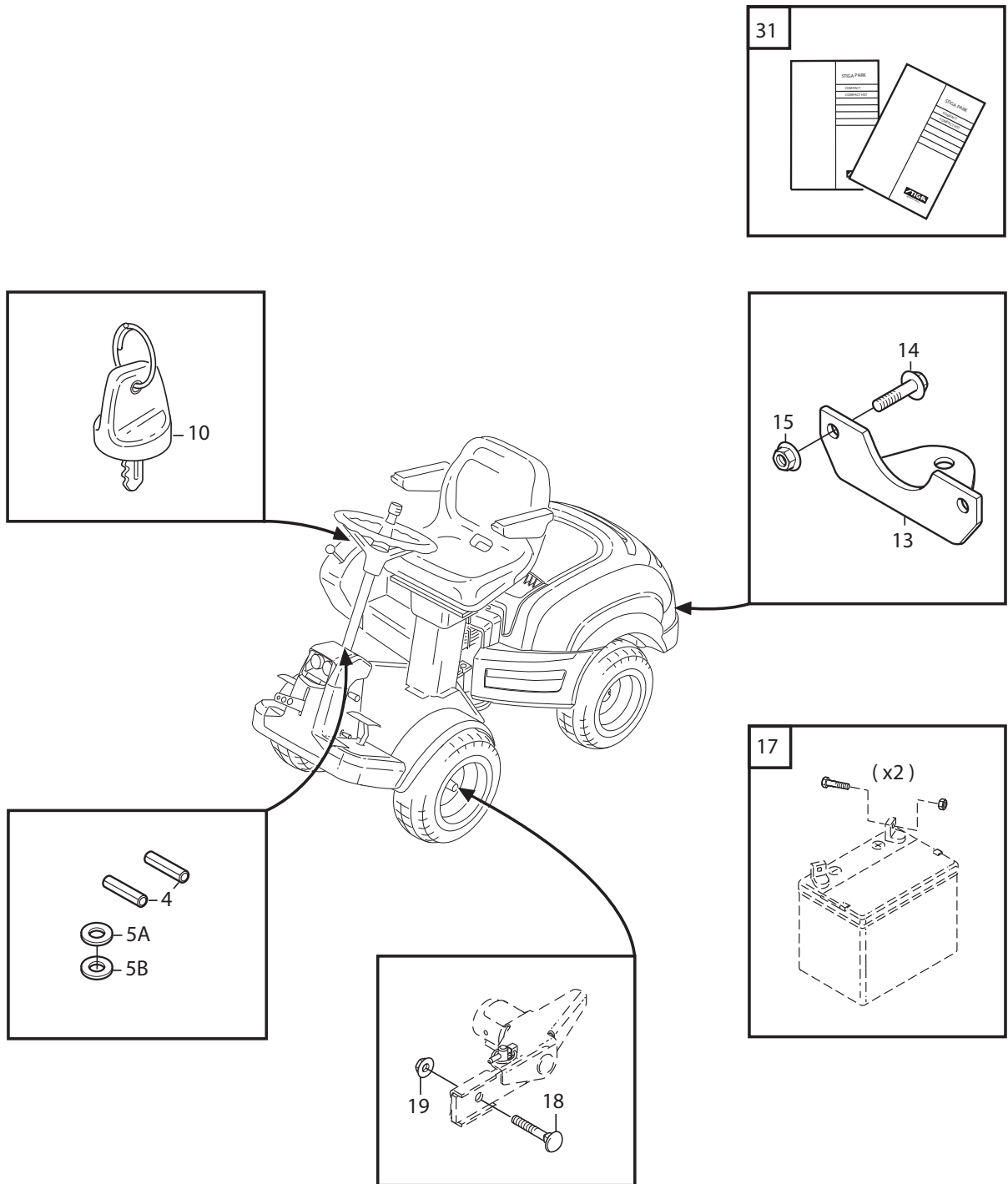
13-6270-32 - Season 2014

- Use GLOBAL GARDEN PRODUCT Genuine Spare Parts specified in the parts list for repair and/or replacement.
 - The contents described in the parts list may change due to improvement.
 - The drawings of the spare parts are only indicative and might not represent the part in question exactly.
 - The indications "right" - "left" - "front" - "rear" refer to the position of the operator when using the machine.
- When placing orders of parts for repair and/or replacement, make sure that the illustrated parts list is the one applying to the machine's year of manufacture, as shown on the identification plate attached to the machine.

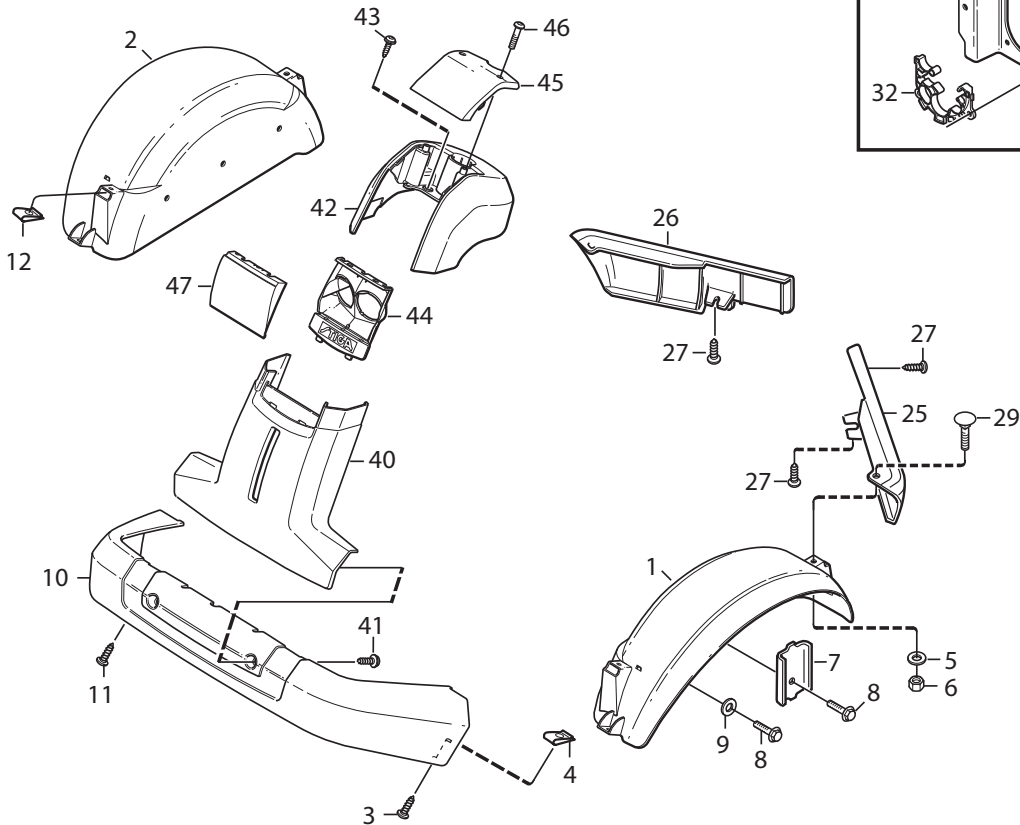
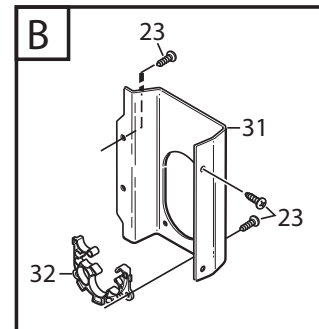
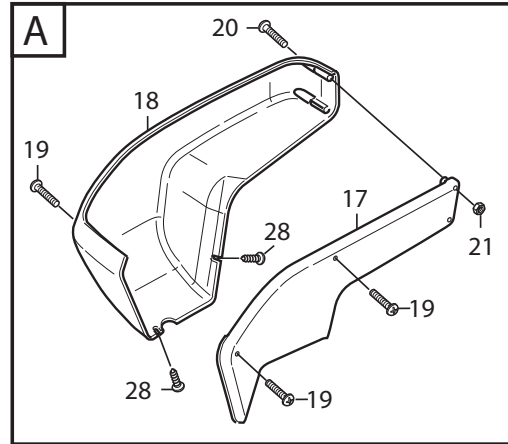
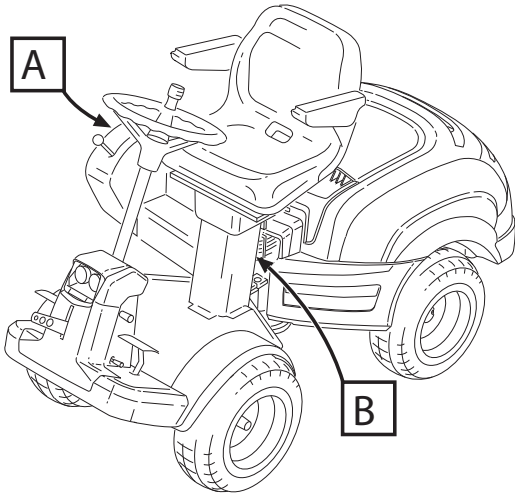
© Copyright 2014 Global Garden Products

All rights reserved. No part of this material may be reproduced or transmitted, in any form or by any means, electronic or mechanical, including photocopying, recording or by any information storage and retrieval system, without permission in writing from GLOBAL GARDEN PRODUCTS.

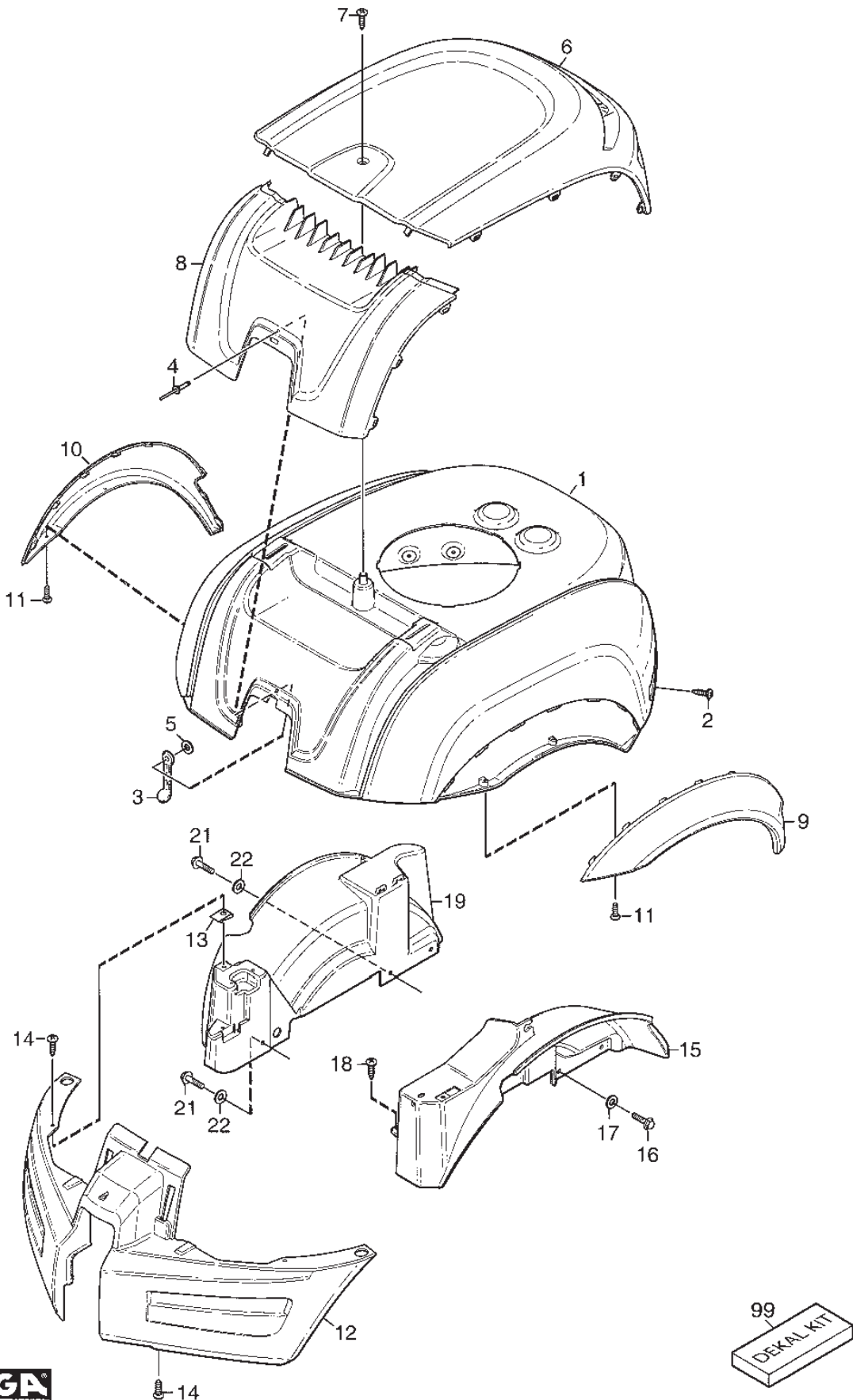
www.stiga.com



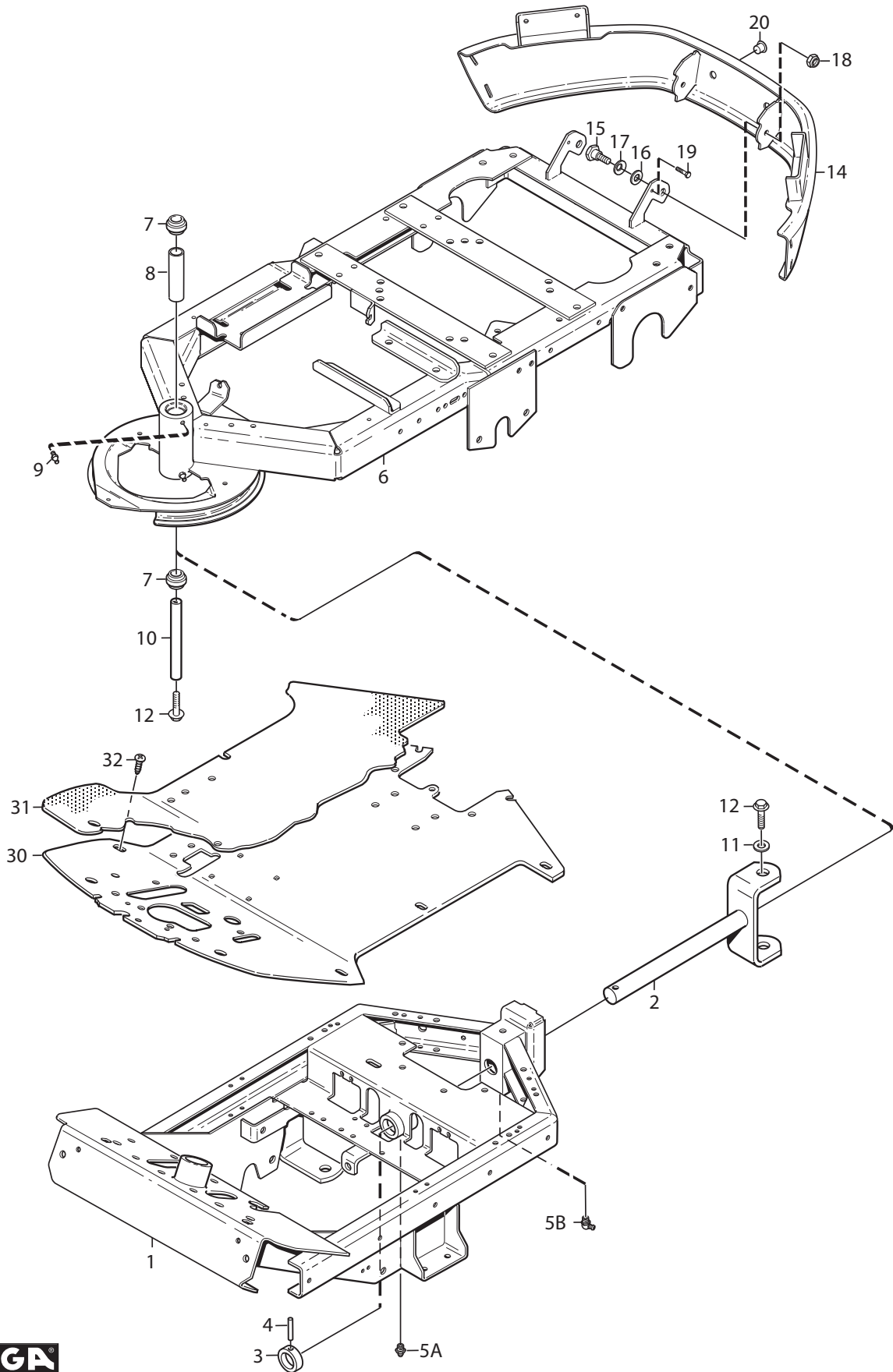
Utgåva Issue 43 - 2014		Monteringsdetaljer Assembly parts			
Pos. Fig.	Antal Quantity	Art nr Part No	Benämning	Description	Anmärkning Notes
4	2	9595-0262-00	Spännstift	Locating Pin	
5	1	9699-0114-02	Bricka	Washer	1.0 mm
5	1	9699-0103-02	Bricka	Washer	0.5 mm
10	2	1134-4734-01	Tändningsnyckel	Ignition Key	
13	1	1134-5512-01	Dragplåt5-01	Towing Plate	
14	2	9959-0820-16	Skruv	Screw	
15	2	9739-0831-22	Mutter	Nut	
17	1	1134-6113-02	Skruv	Screw	
18	2	9898-1035-16	Skruv	Screw	
19	2	9739-1031-22	Mutter	Nut	
31	1	8211-0047-00	Bruksanvisning	Owner's Manual	
31	1	8211-0701-10	Säkerhetsföreskrifter	Safety Regulations	
31	1	8211-0960-10	Garantikort	Warranty Card	



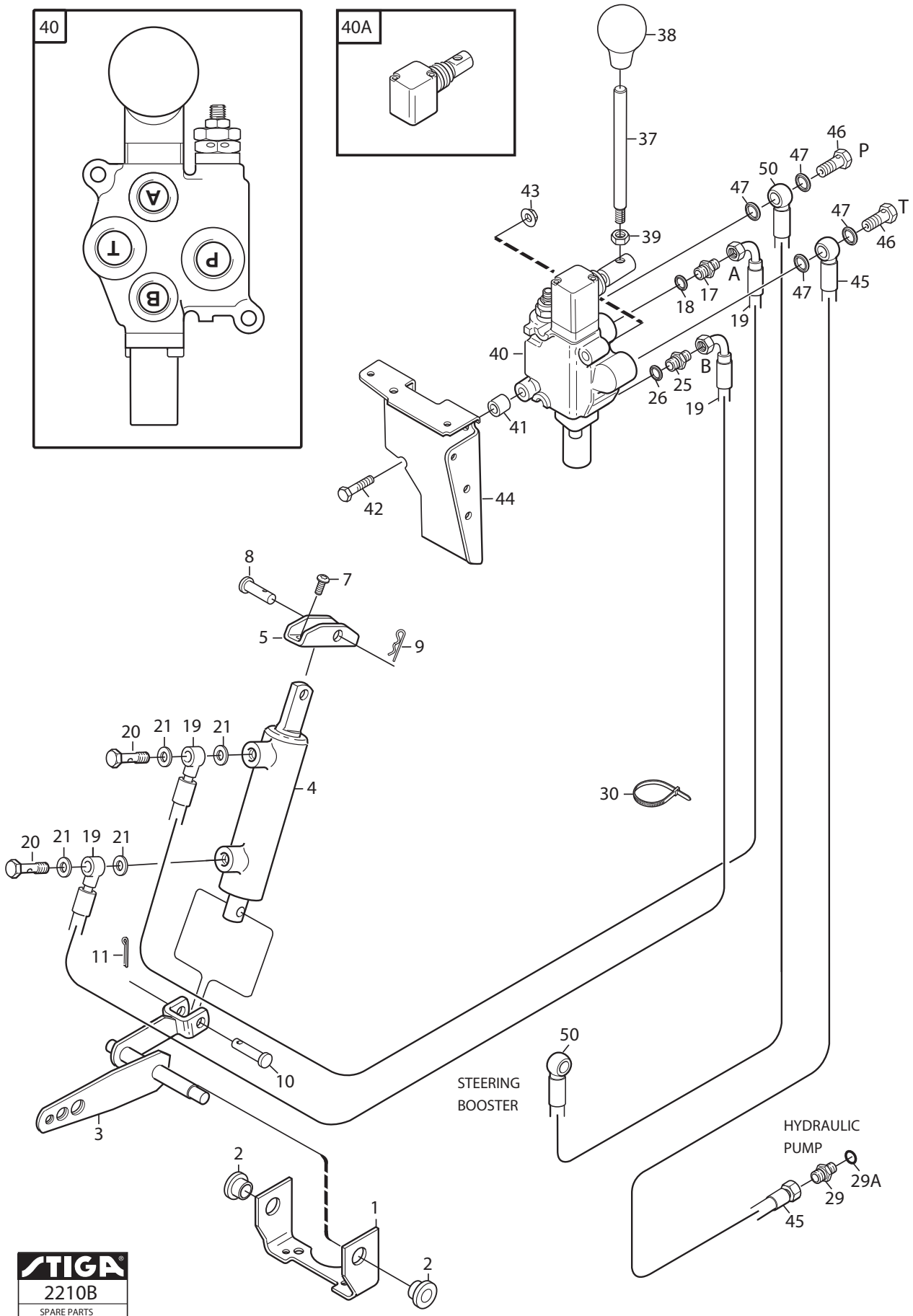
Utgåva Issue 43 - 2014		Kaross	Body work		
Pos. Fig.	Antal Quantity	Art nr Part No	Benämning	Description	Anmärkning Notes
1	1	1137-0048-01	Framskärm-Vä	Mud Guard, Front-Lh	
2	1	1137-0048-02	Framskärm-Hö	Mud Guard, Front-Rh	
3	2	9893-0616-16	Skruv Relä	Screw Relay	
4	2	1134-4176-01	Clips	Clips	
5	2	9699-0060-02	Bricka	Washer	
6	2	9747-0631-02	Mutter Låsmutter	Nut	
7	2	1137-0088-01	Stödplåt	Support Plate	
8	6	9945-0816-16	Skruv	Screw	
9	4	9699-0056-02	Bricka	Washer	
10	1	1137-0049-01	Stötfångare-Fram	Front Bumper	
11	6	9893-0616-16	Skruv Relä	Screw Relay	
12	2	1134-4176-01	Clips	Clips	
17	1	1134-4360-01	Kåpa-Inre (1-00)	Cover-Inner	
18	1	1134-3979-01	Kåpa Yttre1-00	Cover-Outer	
19	3	9946-0525-16	Skruv	Screw	
20	2	9950-0570-12	Skruv	Screw	
21	2	9747-0531-02	Mutter	Nut	
23	6	9893-0616-16	Skruv Relä	Screw Relay	
25	1	1134-3970-05	Kantlist-Vä (Grå) 7-14	Moulding-Left (Grey)	
26	1	1134-3970-02	Kantlist-Hö (Grå) 7-14	Moulding Right-Grey	
27	4	9893-0616-16	Skruv Relä	Screw Relay	
28	2	9840-8013-16	Skruv	Screw	
29	2	9897-0616-16	Skruv	Screw	
31	1	1137-0061-01	Bakstycke (1-00)	Rear Plate	
32	1	1137-0065-01	Slanghållare	Tube Collector	
40	1	1137-0050-01	Frontkåpa-Nedre	Front Panel-Lower	
41	2	9838-9516-12	Skruv	Screw	
42	1	1137-0051-01	Frontkåpa-Övre	Front Panel-Upper	
43	2	9946-0525-16	Skruv	Screw	
44	1	1137-0052-01	Lamphållare	Lamp Holder	
45	1	1137-0053-01	Toppkåpa	Top Panel	
46	2	9838-9516-12	Skruv	Screw	
47	1	1137-0054-01	Lampglas	Lamp Glass	



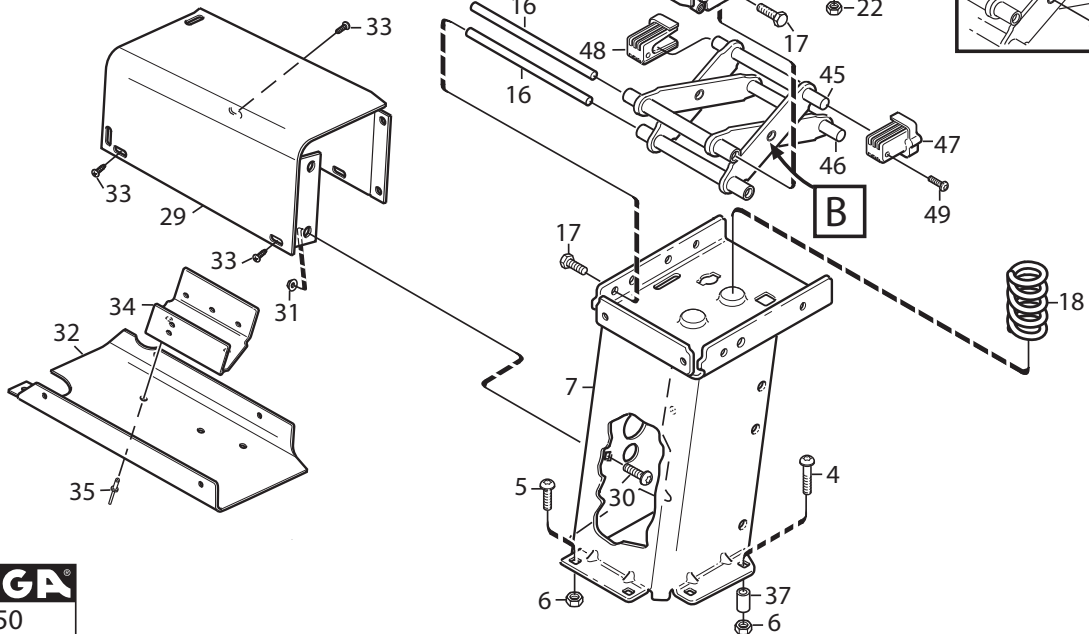
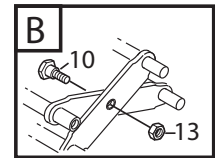
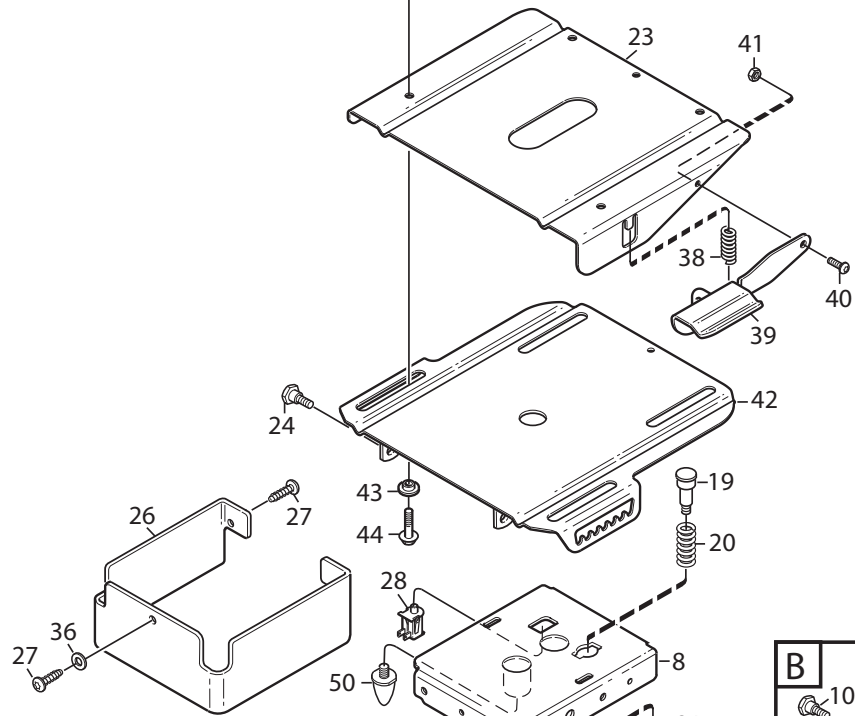
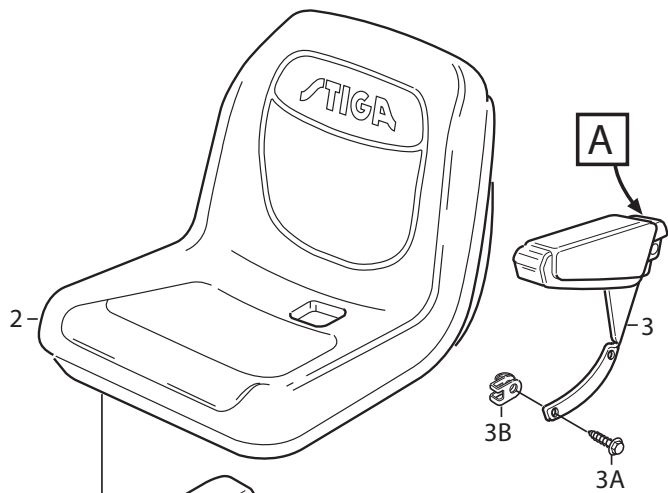
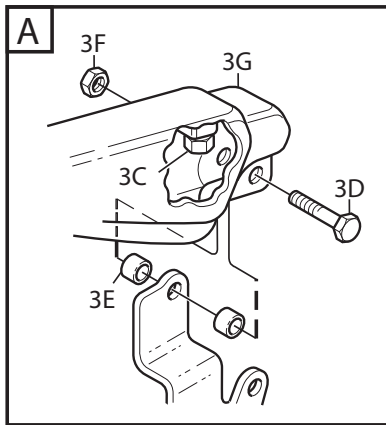
Utgåva Issue 43 - 2014		Kaross	Body work		
Pos. Fig.	Antal Quantity	Art nr Part No	Benämning	Description	Anmärkning Notes
1	1	1137-0175-01	Motorhuv	Engine Hood	Pro 25;From 01-septem-ber-2010
1	1	1134-5634-01	Motorhuv	Engine Hood	
2	4	9893-0616-16	Skruv Relä	Screw Relay	
3	1	1134-9028-01	Gummistropp (3 St)	Rubber Strap (3 Pcs)	Sats 3 st/kit if 3
4	1	9632-0513-00	Popnit1 -0420 Bs [Tap/D Bs] 3,2X20	Pop Rivet	
5	1	9699-0120-02	Bricka	Washer	
6	1	1134-5636-01	Motorlucka	Engine Cover	
7	1	9838-9516-12	Skruv	Screw	
8	1	1134-5635-01	Frontlucka Motorhuv	Engine Front Cover	
9	1	1134-5638-01	Skärnbröddare-Vä	Wheel Arch Liner-Lh	
10	1	1134-5638-02	Skärnbröddare-Hö	Wheel Arch Liner-Rh	
11	4	9838-9516-12	Skruv	Screw	
12	1	1134-5637-01	Spoiler	Spoiler	
13	2	1134-4176-01	Clips	Clips	
14	4	9893-0616-16	Skruv Relä	Screw Relay	
15	1	1134-5647-01	Innerskärm-Vä	Inner Fender-Lh	
16	3	9945-0816-16	Skruv	Screw	
17	3	9699-0056-02	Bricka	Washer	
18	1	9893-0616-16	Skruv Relä	Screw Relay	
19	1	1134-5647-02	Innerskärm-Hö	Inner Fender-Rh	
21	3	9945-0816-16	Skruv	Screw	
22	3	9699-0056-02	Bricka	Washer	



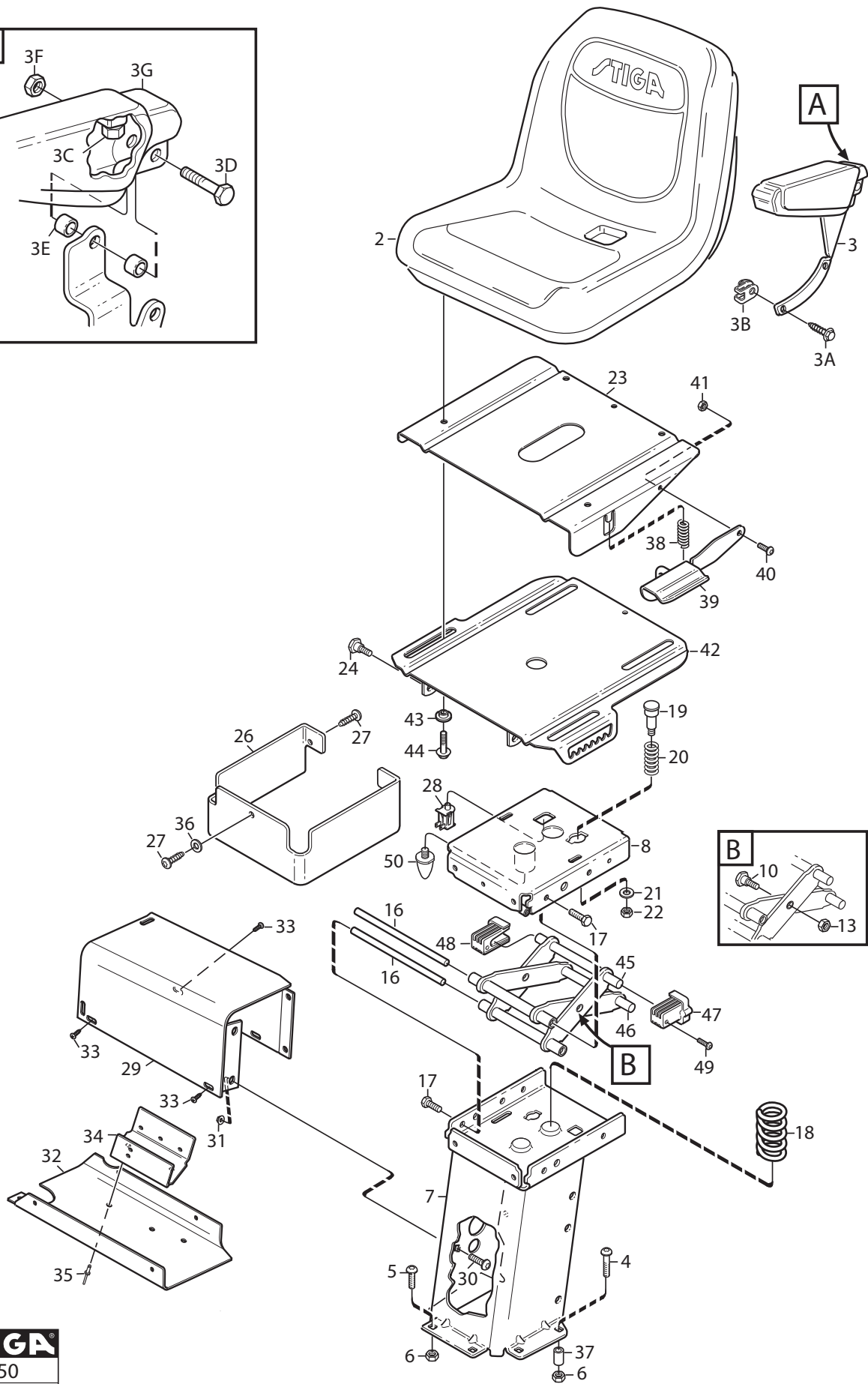
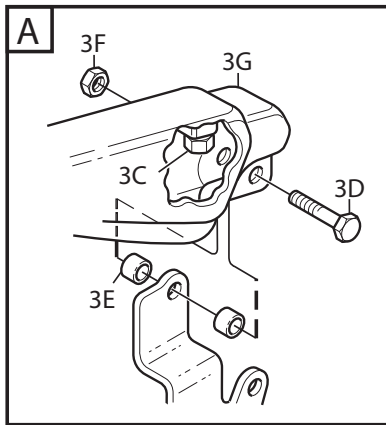
Utgåva Issue 43 - 2014		Ram	Frame		
Pos. Fig.	Antal Quantity	Art nr Part No	Benämning	Description	Anmärkning Notes
1	1	1137-0390-01	Ram-Främre (4Wd) 5-01	Frame-Front (4Wd)	France
1	1	1137-0100-01	Ram-Främre	Frame-Front	
2	1	1134-3963-02	Midjegaffel Service 5-01 H10	Fork	
3	1	1134-0031-00	Ledaxelstopp	Pivot Shaft Stop	
4	1	9595-0262-00	Spännstift	Locating Pin	
5	1	9501-0500-00	Smörjkopp Kort Rak	Grease Dispenser	Rak/straight
5	1	9501-0504-01	Smörjnippel	Grease Nipple M6 90	90
6	1	1134-5953-01	Ram Bakre Kpl 5-01	Frame-Rear Assy	
7	2	9547-0001-00	Ledlager Ge17Es	Bearing	
8	1	1134-5705-01	Distans	Spacer	
9	2	9501-0500-00	Smörjkopp Kort Rak	Grease Dispenser	
10	1	1134-5988-01	Centrumaxel	Centre Shaft	
11	1	9699-0035-02	Bricka	Washer	
12	2	9959-1025-16	Skruv	Screw	
14	1	1134-5676-01	Stötfångare	Rear Bumper	
15	2	1134-0240-00	Skruv	Screw	
16	2	1134-4242-01	Distansbricka	Washer	
17	2	9665-0002-00	Bricka	Washer	
18	2	9747-0831-02	Mutter Låsmutter	Nut	
19	2	9943-0516-16	Skruv	Screw	
20	2	1134-4100-01	Täckpropp	Plug	
30	1	1134-6586-01	Durk (5-01)	Floor Plate	
31	1	1134-6372-04	Durkmatta	Floor Mat Hst	
32	2	9893-0616-16	Skruv Relä	Screw Relay	



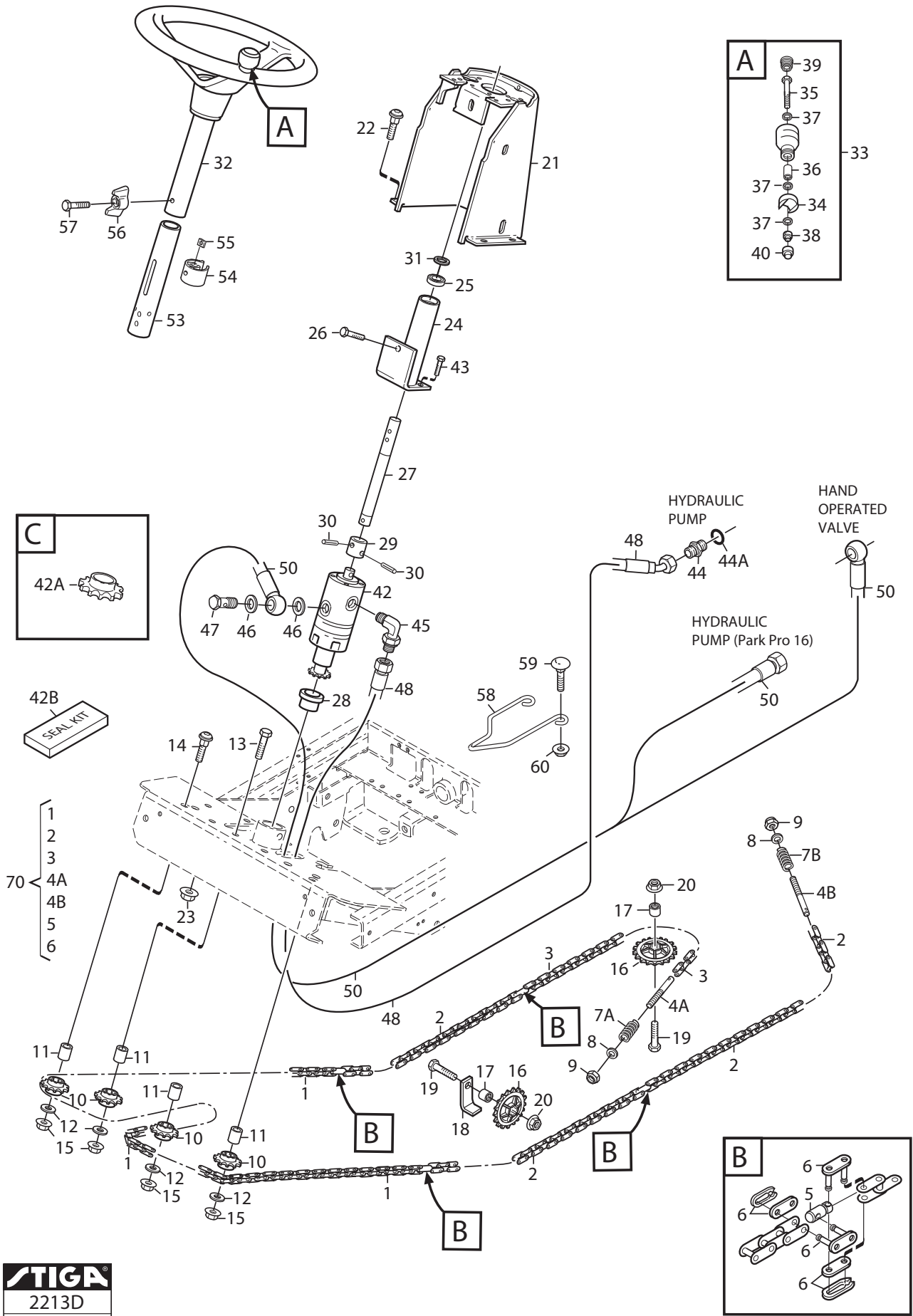
Utgåva Issue 43 - 2014		Hydraullyft		Hydraulic lift	
Pos. Fig.	Antal Quantity	Art nr Part No	Benämning	Description	Anmärkning Notes
1	1	1134-4117-01	Fäste	Bracket	
2	2	1134-2684-01	Lager	Bearing	
3	1	1137-0039-01	Lyftarm Kpl (Grå) 7-14	Lift Arm Assy	
4	1	1137-0071-01	Hydraulcylinder	Hydraulic Cylinder	
5	1	1134-4815-01	Cylinderfäste	Cylinder Bracket	
7	2	9893-0616-16	Skruv Relä	Screw Relay	
8	1	1134-4816-01	Stift	Pin	
9	1	9598-0002-02			
10	1	1134-4817-01	Stift	Pin	
11	1	9599-0054-02	SaxSprint	Split Pin	
17	1	1134-4824-01	Adapter	Adapter	"1/4" x 1/8" "
18	1	1134-4948-01	Bricka	Washer	"1/4" "
19	2	1134-6299-01	Hydraulslang	Hydraulic Hose	
20	2	1134-4826-01	Banjoskruv (R1/8")	Banjo Bolt	"1/8" "
21	4	1134-4947-01	Bricka	Washer	
25	1	1134-4824-01	Adapter	Adapter	"1/4" x 1/8" "
26	1	1134-4948-01	Bricka	Washer	"1/4" "
29	1	1134-4282-01	Hydraulnippel	Hydraulic Nipple	"9/16" x 9/16" "
29	1	9404-0028-01	O-Ring 11,89 X 1,98	O-ring	
30	4	9579-0003-00	Buntband	Cable Holder	
37	1	1134-6345-01	Spak	Lever	
38	1	1134-2551-01	Knopp	Knob	
39	1	9739-0831-22	Mutter	Nut	
40	1	1139-2100-01	Spakfäste För H-Spaksventil	Lever	
40	1	1134-7743-01	Handspaksventil	Hand Operated Valve	
41	2	1134-6364-01	Distans	Spacer	
42	2	9997-0645-12	Skruv	Screw	
43	2	9739-0631-22	Strålkastare Mutter	Working lamp Nut	
44	1	1134-6328-01	Frontfäste 5-01	Panel Bracket-Front	
45	1	1137-0197-01	Hydraulslang	Hydraulic Hose	
46	2	1134-6323-01	Banjoskruv 3/8"	Banjo Bolt 3/8	
47	4	1134-4948-02	Bricka	Washer	
50	1	1137-0216-01	Hydraulslang	Hydraulic Hose	



Utgåva Issue 43 - 2014		Sits	Seat		
Pos. Fig.	Antal Quantity	Art nr Part No	Benämning	Description	Anmärkning Notes
2	1	1134-7830-01	Sits (Milsco 180)	Seat	
3	1	1134-7831-01	Arm-Rest Assy Armstöd Kpl	Arm-Rest Assy Arm Rests	
3	6	1139-0010-01	Skruv	Screw	
3	6	1139-0011-01	Mutter	Nut	
3	2	9988-3713-16	Skruv	Screw	
3	2	9997-1045-12	Skruv	Screw	
3	4	1134-5094-01	Distans	Spacer	
3	2	9747-1031-02	Mutter Låsmutter	Nut	
3	2	1134-5879-01	Armstödsdyna	Arm Rest Pad	
4	2	9897-0880-12	Skruv	Screw	L = 80 mm
5	4	9897-0820-16	Skruv	Screw	L = 20 mm
6	6	9747-0831-02	Mutter Låsmutter	Nut	
7	1	1137-0057-01	Sitskonsol Kpl	Seat Bracket Assy	
8	1	1137-0058-01	Övre Platta Kpl	Upper Plate Assy	
10	2	1134-0240-00	Skruv	Screw	
13	2	9747-0831-02	Mutter Låsmutter	Nut	
16	2	1137-0060-01	Axel	Shaft	
17	4	9958-0820-16	Skruv	Screw	
18	2	1134-4160-01	Fjäder	Spring	
19	1	1134-4153-01	TryckSprint	Push Pin	
20	1	1134-4159-01	Fjäder	Spring	
21	1	9699-0056-02	Bricka	Washer	
22	1	9747-0831-02	Mutter Låsmutter	Nut	
23	1	1134-6090-01	Glidplatta-Övre 5-01	Slide Plate-Upper	
24	2	1134-0240-00	Skruv	Screw	
26	1	1137-0038-01	Lock	Cover	
27	3	9838-9516-12	Skruv	Screw	
28	1	1134-3156-01	Brytare	Switch	
29	1	1134-3990-01	Armsvep Kpl 041-00	Attachment-Side Panel	
30	2	9897-0820-16	Skruv	Screw	
31	2	9739-0831-22	Mutter	Nut	
32	1	1134-4130-01	Undre Lock (1-00)	Cover Lower	
33	4	9840-8013-16	Skruv	Screw	
34	1	1134-4135-01	Relähållare 24	Relay Holder	
35	2	9632-0522-00	Popnit, 1661-0512 D4X9,5	Pop Rivet	
36	1	9699-0087-02	Bricka	Washer	
37	2	1134-1565-08	Distans	Spacer	
38	1	1134-3262-01	Fjäder	Spring	
39	1	1134-6073-01	Handtag Kpl 5-01	Handle Assy	
40	1	9893-0616-16	Skruv Relä	Screw Relay	
41	1	9747-0631-02	Mutter Låsmutter	Nut	
42	1	1137-0055-01	Glidplatta-Undre Kpl	Slide Plate-Lower Assy	
43	4	1134-6078-01	Bricka	Flange Washer	
44	4	9959-0820-16	Skruv	Screw	
45	1	1137-0031-01	Länk Smst A	Link Assy A	
46	1	1137-0032-01	Länk Smst B	Link Assy B	
47	2	1137-0033-01	Kloss	Block	
48	2	1137-0033-02	Kloss	Block	
49	4	9838-9516-12	Skruv	Screw	

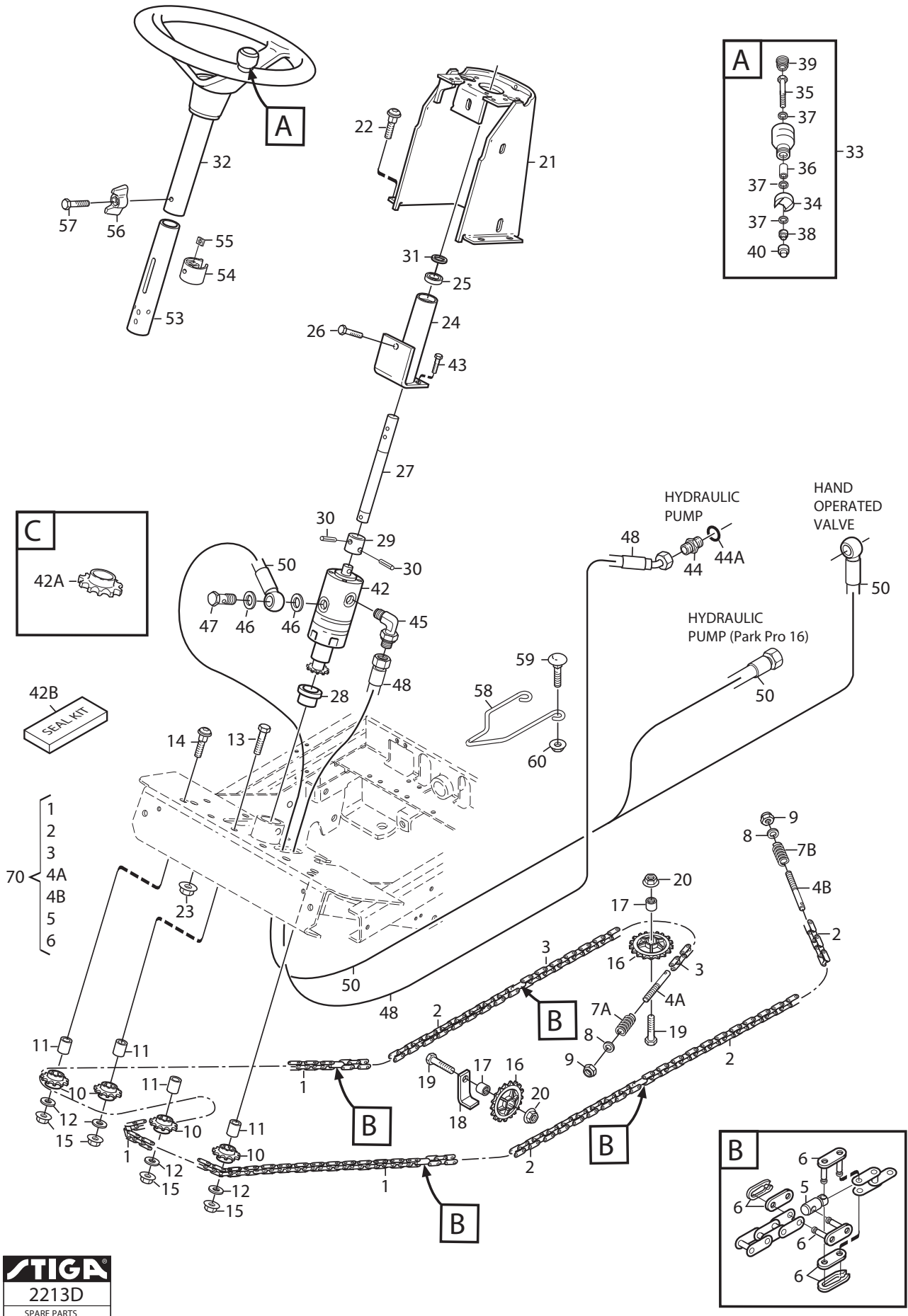


Utgåva Issue 43 - 2014		Sits Seat			
Pos. Fig.	Antal Quantity	Art nr Part No	Benämning	Description	Anmärkning Notes
50	1	1137-0064-01	Dämpare	Rubber Cone	



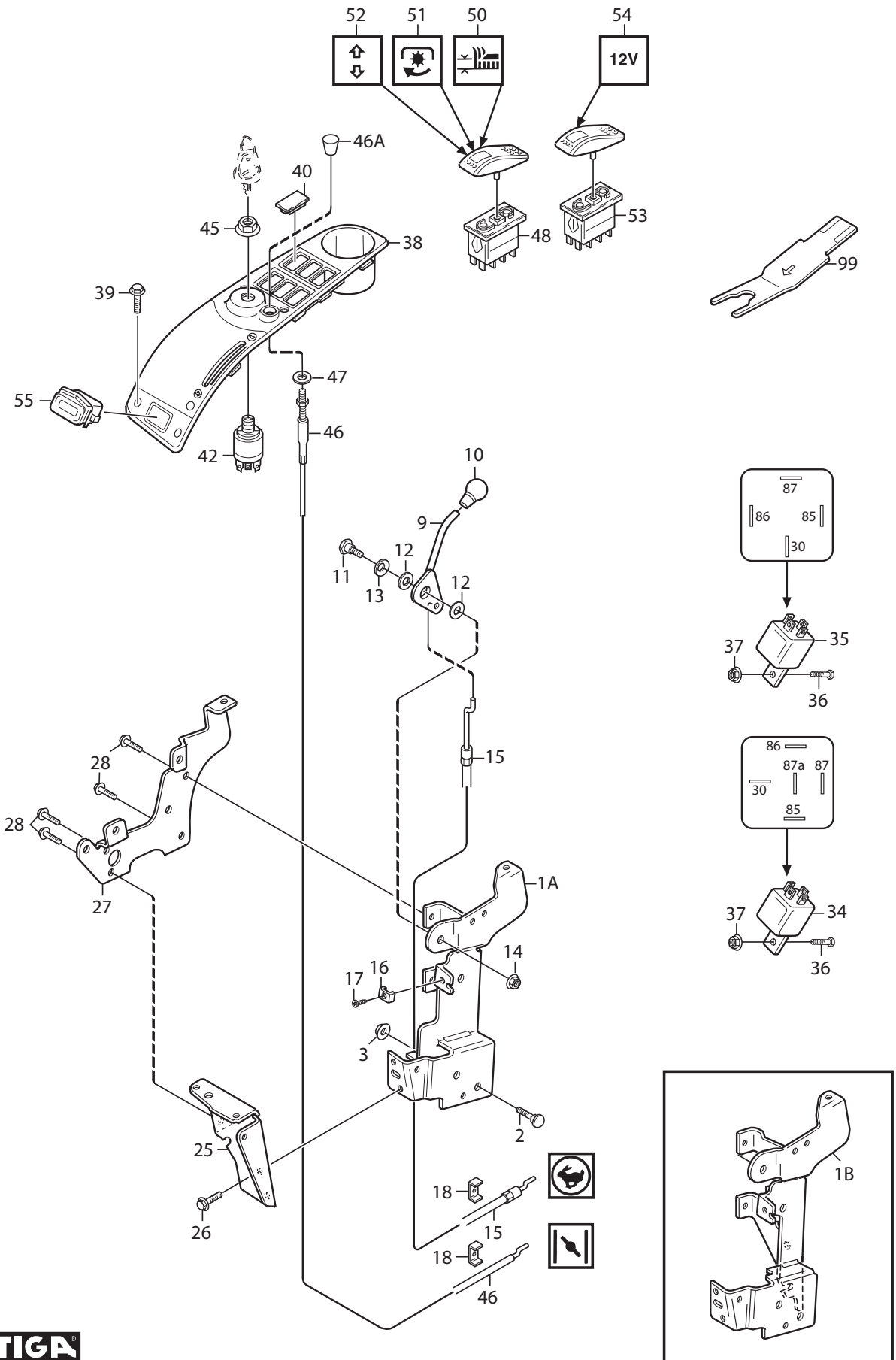
STIGA
2213D
SPARE PARTS

Utgåva Issue 43 - 2014		Styrning Steering			
Pos. Fig.	Antal Quantity	Art nr Part No	Benämning	Description	Anmärkning Notes
1	1	1134-6374-06	Kedja	Chain	83 länk
2	3	1134-6374-02	Kedja	Chain	41 länk
3	1	1134-6374-04	Kedja	Chain	45 länk
4	1	1134-3550-02	Ändnippel (L90)	End Nipple	L = 90 mm
4	1	1134-3550-01	Ändnippel (L110)	End Nipple	L = 110 mm
5	4	1134-3565-01	Skarvnippel	Connection Nipple	
6	10	1134-2824-02	Kedjelås Fz	Chain Lock	
7	1	1134-3817-01	Fjäder	Spring	L = 58 mm
7	1	1134-3817-02	Fjäder	Spring	L = 33 mm
8	2	9699-0090-02	Bricka	Washer	
9	2	9747-0831-02	Mutter Låsmutter	Nut	
10	4	1134-2816-01	Kedjehjul	Sprocket	
11	4	1134-0041-02	Bussning	Bushing	
12	4	9699-0035-02	Bricka	Washer	
13	2	9997-1050-16	Skruv	Screw	
14	2	9897-1040-12	Skruv	Screw	
15	4	9739-1031-22	Mutter	Nut	
16	3	1134-3547-01	Kedjehjul	Sprocket	
17	3	1134-0041-01	Bussning	Bushing	
18	2	1134-0046-00	Wireklämma	Wire Clamp	
19	3	9997-1030-16	Skruv	Screw	
20	3	9739-1031-22	Mutter	Nut	
21	1	1137-0066-01	Rattstång Skydd	Steering Column Cover	
22	4	9897-0820-16	Skruv	Screw	
23	4	9739-0831-22	Mutter	Nut	
24	1	1137-0044-01	Rattrör Nedre Kpl	Steering Column Assy	
25	1	9549-0017-00	Kullager	Ball Bearing	
26	1	9945-0816-16	Skruv	Screw	
27	1	1137-0045-01	Rattstång	Steering Rod	
28	1	1134-4114-01	Bussning	Bushing	
29	1	1134-4118-01	Koppling	Coupling	
30	2	9595-0256-01	Spännstift 6X28 Typ N Iso 8750	Locating Pin	
31	1	9695-0011-00	Bricka	Washer	
32	1	1134-5173-02	Ratt Kpl	Steering Wheel	
33	1	1134-3769-01	Styrknopp Kpl Service	Steering Wheel Button Kit	
34	1	1134-3752-01	Knoppfäste	Knob Holder	
35	1	9997-0870-16	Skruv	Screw	
36	1	1134-1565-06	Distans	Spacer	
37	3	9699-0090-02	Bricka	Washer	
38	1	9747-0831-02	Mutter Låsmutter	Nut	
39	1	9403-0043-70	Plugg	Plug	
40	1	9403-0113-00	Ringmutter	Ring Nut	
42	1	1134-6420-01	Momentförstärkare	Steering Booster	Inkl. pos 42A
42	1	1139-2106-01	Drev (F Momentförstärkare)	Pinion (Steering Booster)	
42	1	1139-2074-01	Rep.Sats-Momentförstärkare	Seal Kit-Steering Booster	
43	3	9939-0612-16	Skruv	Screw	
44	1	1134-4282-01	Hydraulnippel	Hydraulic Nipple	9/16" x 9/16"
44	1	9404-0028-01	O-Ring 11,89 X 1,98	O-ring	
45	1	1134-7073-01	Vinkeladapter	Hydraulic Coupling 90	

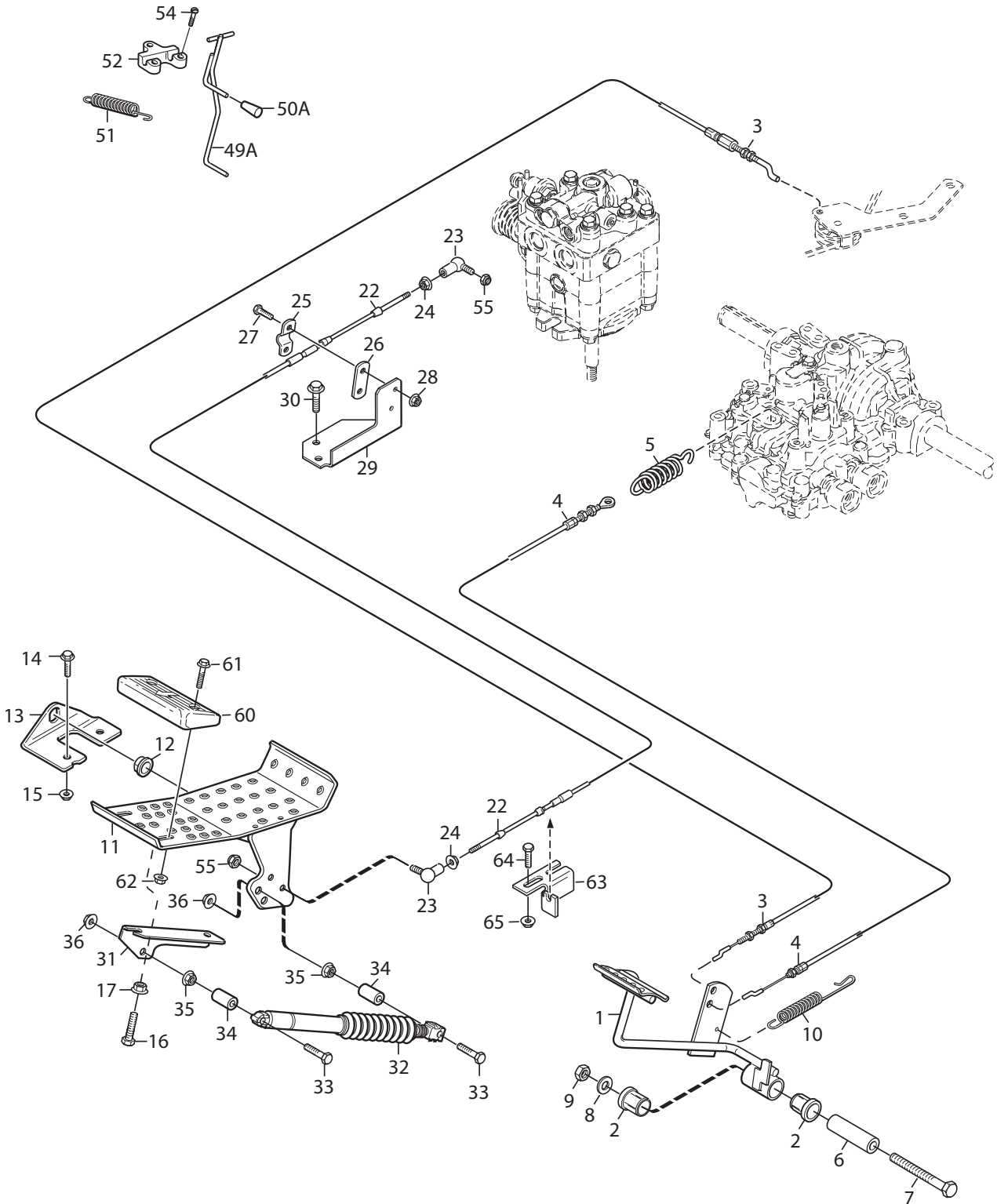


STIGA
2213D
SPARE PARTS

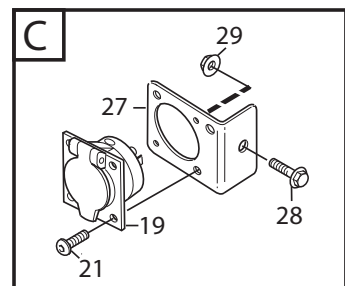
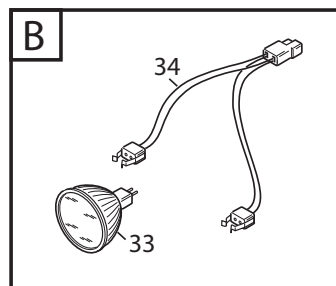
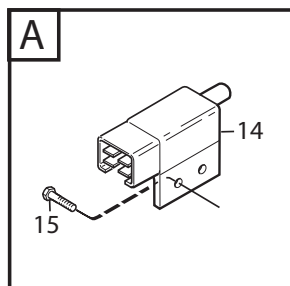
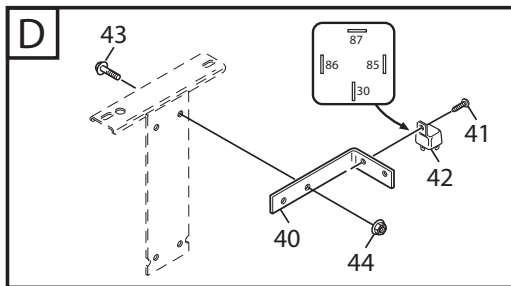
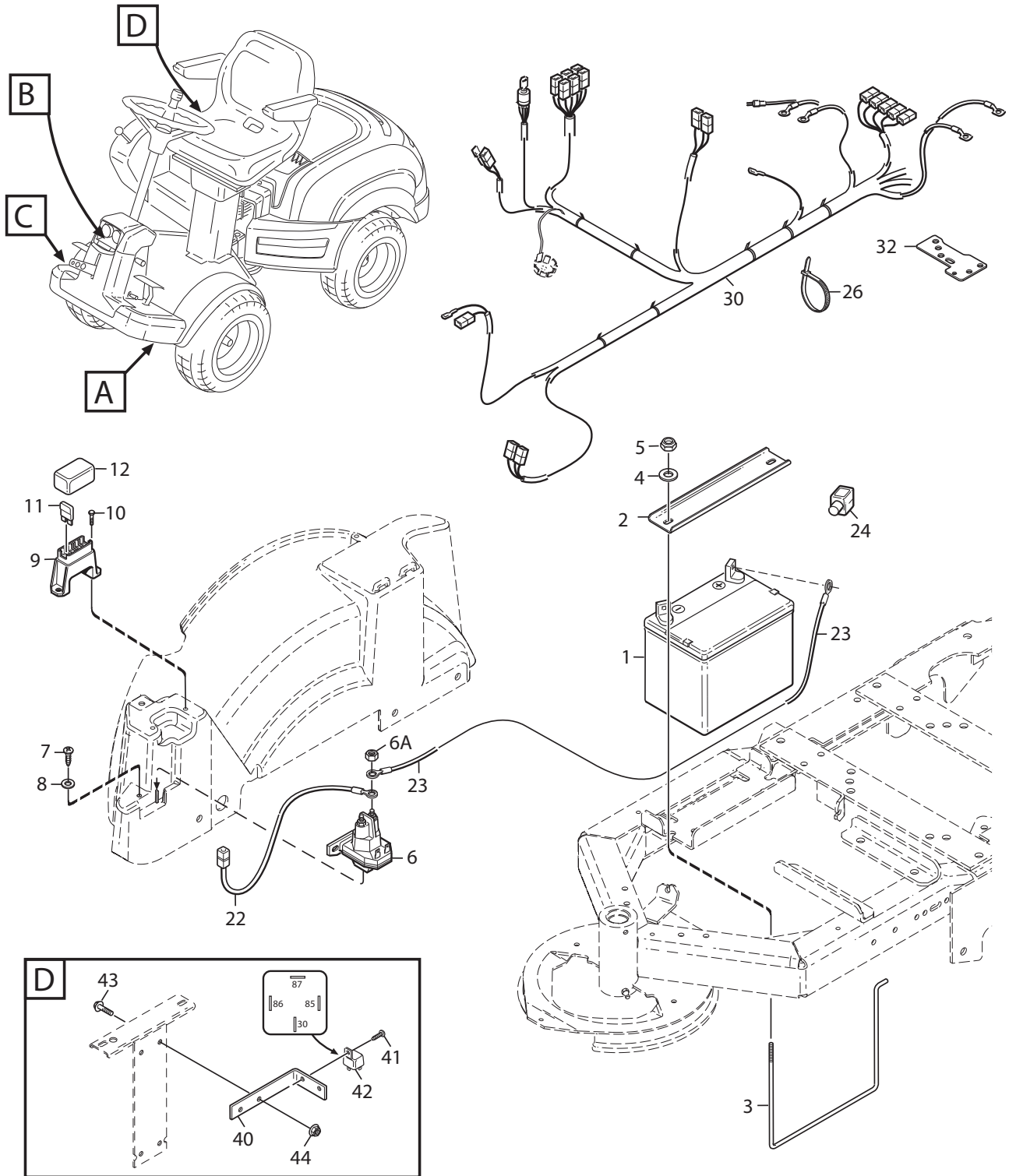
Utgåva Issue 43 - 2014		Styrning Steering			
Pos. Fig.	Antal Quantity	Art nr Part No	Benämning	Description	Anmärkning Notes
46	2	1134-4948-02	Bricka	Washer	
47	1	1134-6323-01	Banjoskruv 3/8"	Banjo Bolt 3/8	
48	1	1137-0196-01	Hydraulslang Rak-45° 3/8"	Hydraulic Hose	L = 1250
50	1	1137-0197-03	Hydraulslang Rak-Banjo 3/8"	Hydraulic Hose	L = 1640
50	1	1137-0216-01	Hydraulslang	Hydraulic Hose	L = 1320
53	1	1137-0070-01	Rattrör-Inre	Steering Tube-Inner Assy	
54	1	1134-5177-01	Slid	Slide	
55	1	9710-0631-12	Låsmutter	Nut	
56	1	1134-4481-02	Vingmutter	Wing Nut	
57	1	9997-0630-12	Skruv	Screw	
58	1	1137-0112-01	Bygel	Guide	
59	2	9897-0616-16	Skruv	Screw	
60	2	9739-0631-22	Strålkastare I Mutter	Working lamp I Nut	
70	1	1134-6379-02	Styrkedja Fz K/K, L/K Smst	Steering Chain Assy	Inkl. pos 1 - 6



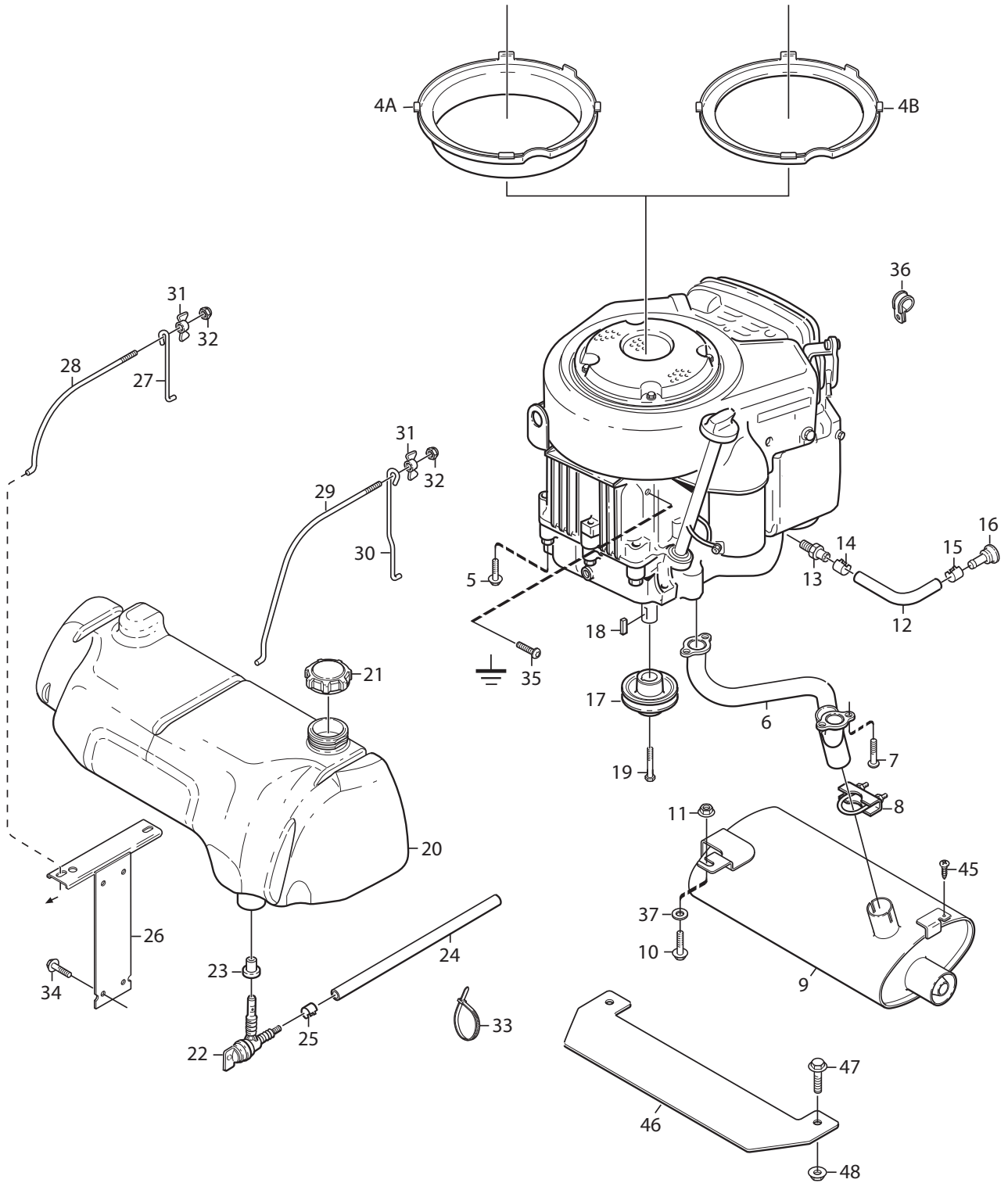
Utgåva Issue 43 - 2014		Handreglage Hand controls			
Pos. Fig.	Antal Quantity	Art nr Part No	Benämning	Description	Anmärkning Notes
1	1	1134-4156-01	Vinkelhållare Kpl 24	Panel Bracket-Inner	Pro 16
1	1	1134-6324-01	Vinkelhållare Kpl	Panel Bracket Assy	
2	2	9897-0820-16	Skruv	Screw	
3	2	9739-0831-22	Mutter	Nut	
9	1	1134-4077-01	Gasreglage	Throttle Cable	
10	1	1134-4078-01	Knopp	Knob	
11	1	1134-0240-00	Skruv	Screw	
12	2	1134-4242-01	Distansbricka	Washer	
13	1	9694-0001-00	Bricka	Washer	
14	1	9747-0831-02	Mutter Låsmutter	Nut	
15	1	1137-0063-01	Gasreglage	Throttle Cable	
16	1	1137-0115-01	Wireklämma	Wire Clamp	
17	1	9943-0516-16	Skruv	Screw	
18	2	1137-0115-01	Wireklämma	Wire Clamp	
25	1	1134-6328-01	Frontfäste 5-01	Panel Bracket-Front	
26	2	9893-0616-16	Skruv Relä	Screw Relay	
27	1	1134-6327-01	Frontplåt5-01	Front Plate	
28	4	9893-0616-16	Skruv Relä	Screw Relay	
34	1	1134-2871-03	Relä	Relay	
35	2	1134-2871-01	Relä Relä	Relay	
36	3	9997-0512-16	Skruv	Screw	
37	3	9739-0531-22	Mutter	Nut	
38	1	1134-6096-07	Kassett	Dashboard	Pro 16
38	1	1134-6096-08	Kassett	Dashboard	
39	4	9946-0525-16	Skruv	Screw	
40	2	1134-4129-01	Täckbricka	Cover	
42	1	1134-4093-01	Tändningslås	Ignition Switch	
45	1	1134-4749-01	Mutter	Nut	
46	1	1134-4338-01	Reglageknopp	Control Button-Choke	
46	1	1137-0062-01	Chokereglage	Choke Control	
47	2	9699-0090-02	Bricka	Washer	
48	3	9400-0282-01	Brytare (Med Diod)	Switch	
50	1	9400-0280-03	Vippa Höjdinst	Switch Cover-Height Adjust	
51	1	9400-0280-01	Vippa Pto	Switch Cover-Pto	
52	1	9400-0280-04	Vippa rödskap Bak	Switch Cover-Rear Rake	
53	1	9400-0283-01	Brytare Bunband	Switch Cable holder	
54	1	9400-0280-05	Vippa rödskap 12V Brytare	Switch Cover-12V Switch	
55	1	1134-6097-02	Timräknare	Hour Meter	
99	1	9400-0290-01	Verktyg F.Vippa	Tool	Tillbeh÷r/Accessory



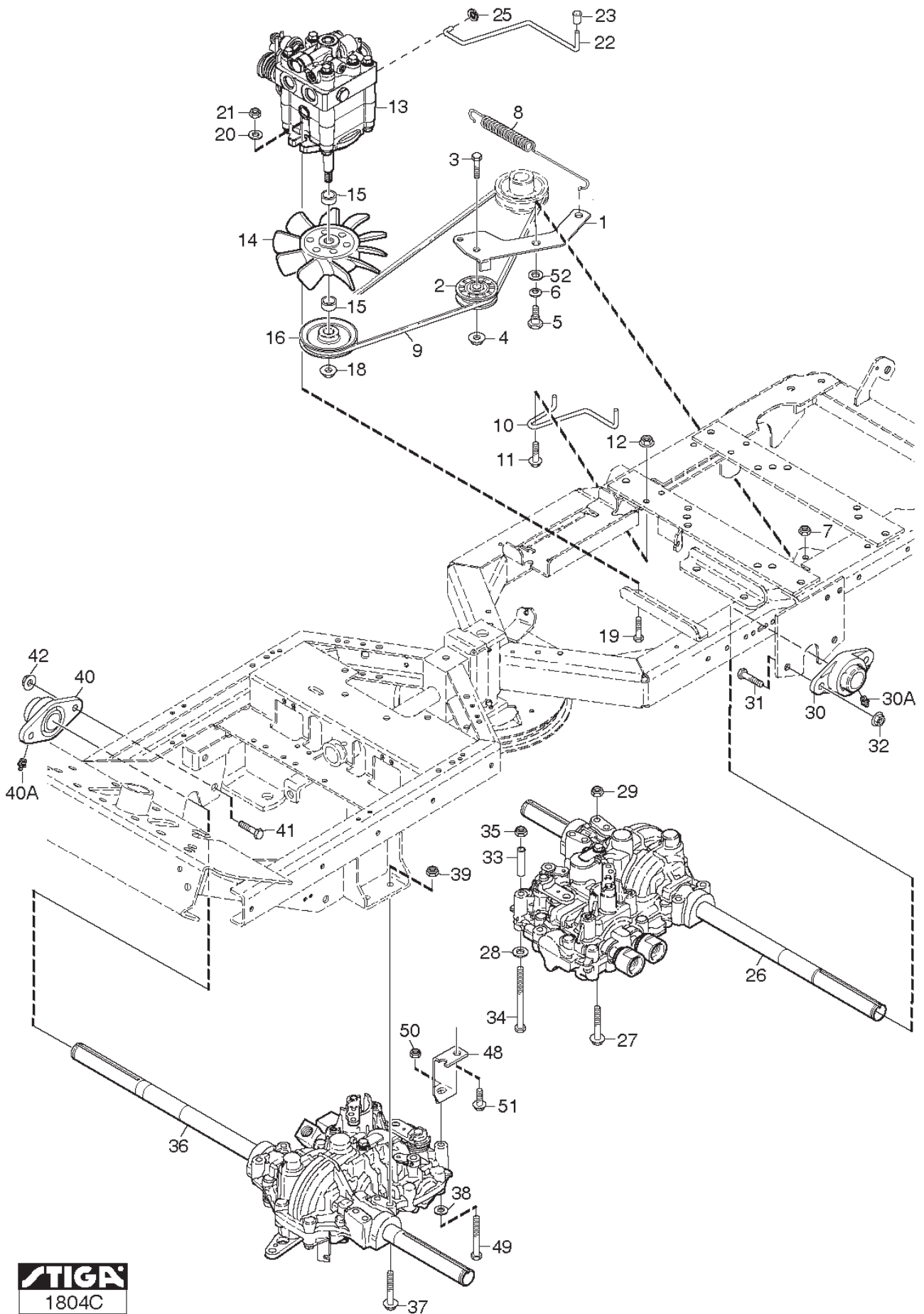
Utgåva Issue 43 - 2014		Fotreglage		Foot controls	
Pos. Fig.	Antal Quantity	Art nr Part No	Benämning	Description	Anmärkning Notes
1	1	1134-5655-01	Kopplingspedal Kpl	Clutch Pedal	
2	1	1134-9024-01	Lager (4 St)	Bearing	Sats 4 st/kit of 4
3	1	1134-5815-02	Wire	Cable	
4	1	1134-6020-01	Motorbromswire	Cable, Thread Engine Brake	
5	1	1134-5989-01	Fjäder	Spring	
6	1	1134-5677-02	Distans	Spacer	
7	1	9997-1070-12	Skruv	Screw	
8	1	9699-0030-02	Bricka	Washer	
9	1	9739-1031-22	Mutter	Nut	
10	1	4231-0013-00	Fjäder	Spring	
11	1	1134-6353-01	Drivpedal	Drive Pedal	
12	2	1134-6313-01	Lager	Bearing	
13	2	1134-2700-01	Fäste	Bracket	
14	2	9959-0820-16	Skruv	Screw	
15	2	9739-0831-22	Mutter	Nut	
16	1	9997-0835-16	Skruv	Screw	
17	1	9739-0831-22	Mutter	Nut	
22	1	1134-2766-08	Reglagevajer	Control Cable	
23	2	9570-0001-00	Vinkellänk As8 Din 71802M5	Elbow Link	
24	2	9739-0531-22	Mutter	Nut	
25	1	1134-0266-00	Fästbygel	Attaching Clamp	
26	1	1134-0267-00	Underläggsbleck	Clamp Plate	
27	2	9997-0520-16	Skruv	Screw	
28	2	9739-0531-22	Mutter	Nut	
29	1	1134-5689-01	Wirekonsol 5-01	Cable Bracket	
30	2	9945-0816-16	Skruv	Screw	
31	1	1134-3996-01	Fäste	Bracket	
32	1	1134-4187-01	Dämpare	Damper	
33	2	9997-0840-12	Skruv	Screw	
34	2	1134-1565-09	Distans	Spacer	
35	2	9739-0831-22	Mutter	Nut	
36	2	9747-0831-02	Mutter Låsmutter	Nut	
49	1	1134-5353-01	Bromsstång	Brake Rod	
50	1	1134-2786-01	Knopp	Knob	
51	1	1131-1497-01	Fjäder	Brake Spring	
52	1	1134-4002-01	Fäste	Brake Rod Attachment	
54	3	9838-9516-12	Skruv	Screw	
55	2	9747-0531-02	Mutter	Nut	
60	2	1134-6340-02	Fotstöd (5-01)	Foot Rest	
61	4	9959-0620-16	Skruv	Screw	
62	4	9739-0631-22	Strålkastare Mutter	Working lamp Nut	
63	1	1134-6317-01	Wirefäste	Wire Bracket	
64	2	9959-0620-16	Skruv	Screw	
65	2	9739-0631-22	Strålkastare Mutter	Working lamp Nut	



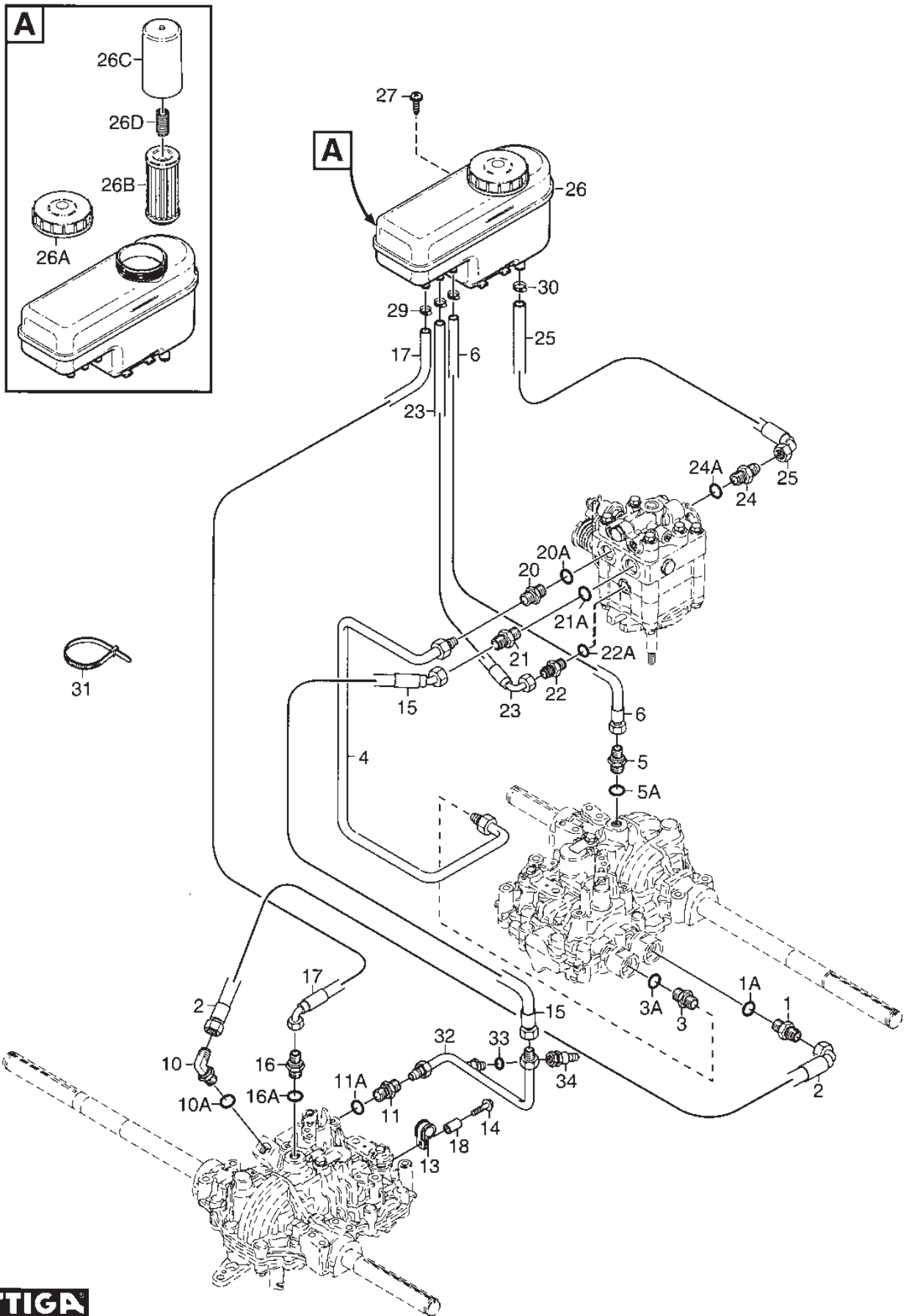
Utgåva Issue 43 - 2014		Elsystem Electric system			
Pos. Fig.	Antal Quantity	Art nr Part No	Benämning	Description	Anmärkning Notes
1	1	1134-5751-01	Batteri	Battery	12V - 24Ah
2	1	1134-5643-01	Batteriplatta	Battery Plate	
3	1	1134-5642-01	Batteribygel	Battery Loop	
4	1	9699-0060-02	Bricka	Washer	
5	1	9747-0631-02	Mutter Låsmutter	Nut	
6	1	1134-2962-01	Solenoid Kpl Service	Solenoid	Inkl. pos 6A
6	2	9794-5131-02	Mutter	Nut	
7	1	9838-9516-12	Skruv	Screw	
8	1	9699-0060-02	Bricka	Washer	
9	1	1134-3491-01	Säkringshållare	Fuse Holder	
10	2	9838-9516-12	Skruv	Screw	
11	1	1134-3496-07	Säkring (30A Grön)	Fuse (30A)	30A
11	1	1134-3496-06	Säkring 20 Amp Gul	Fuse (20A)	20A
11	1	1134-3496-01	Säkring Sakring 10A Säkring 10A Röd	Fuse Fuse 10A Fuse (10A)	10A
12	1	1134-3631-01	Lock (5-01)	Cover-Fuse Holder	
14	1	1134-3399-01	Brytare	Switch	
15	2	9943-0516-16	Skruv	Screw	
19	1	1134-7535-01	Honkontakt	Female Connector	
21	2	9840-7716-16	Skruv	Screw	
22	1	1134-4970-01	Kabel	Cable	
23	1	1134-0234-02	Batterikabel (+)	Battery Cable (+)	
24	1	1134-2310-01	Batteriskydd	Guard Cap (+)	
26	2	9579-0018-01	Buntband L390	Cable	L=390
26	8	9579-0003-00	Buntband	Cable Holder	
27	1	1137-0075-01	Fäste	Attachment 2010	
28	1	9959-0820-16	Skruv	Screw	
29	1	9739-0831-22	Mutter	Nut	
30	1	1134-6468-01	Kabelhärva	Wiring harness	Honda
30	1	1137-0172-01	Kablage (Park Pro 25 Honda)	Harness	Honda
30	1	1134-6455-01	Kabelhärva	Wiring harness	B&S
32	1	1134-6454-01	Jordplåt	Ground Plate	
33	2	9400-0358-01	Led-Lampa	Led-Lamp	
34	1	1134-7505-01	Kabelhärva	Wiring harness	
40	1	1137-0203-01	Fäste	Bracket	
41	1	9893-0616-16	Skruv Relä	Screw Relay	
42	1	1134-2871-01	Relä Relä	Relay	
43	2	9959-0612-16	Skruv	Screw	
44	1	9739-0631-22	Strålkastare Mutter	Working lamp Nut	



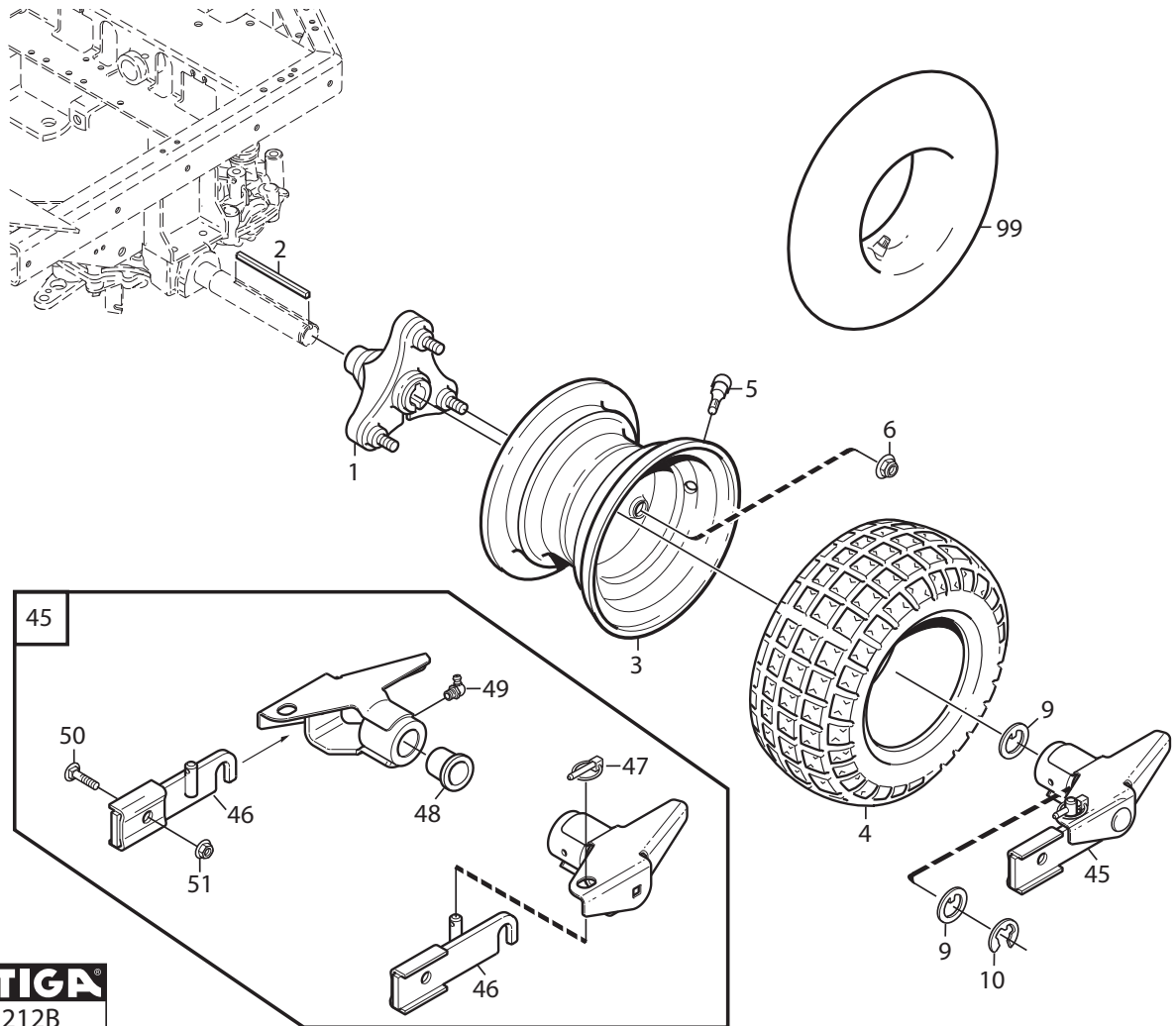
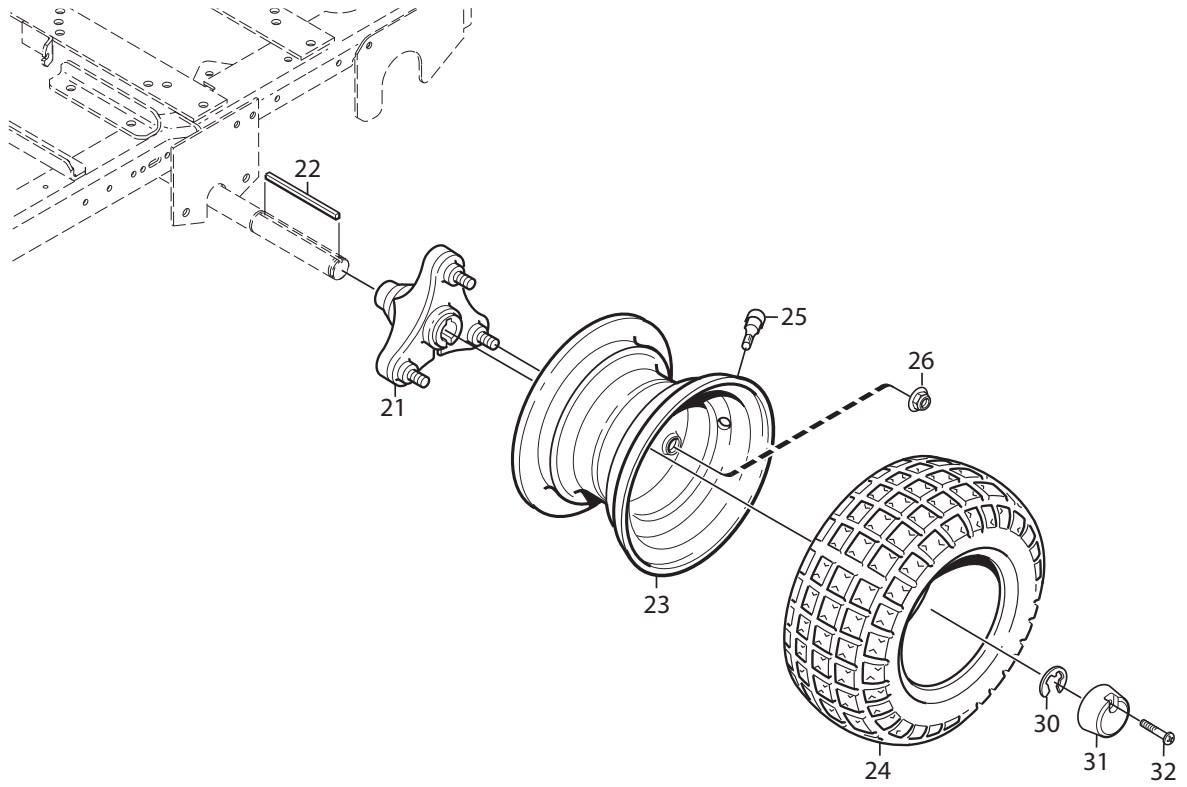
Utgåva Issue 43 - 2014		Motor	Engine		
Pos. Fig.	Antal Quantity	Art nr Part No	Benämning	Description	Anmärkning Notes
4	1	1134-6116-01	Luftkanal	Air Duct	Ī = 215, H = 6 mm
4	1	1134-6116-04	Luftkanal	Air Duct	Ī = 200, H = 45 mm
5	4	9955-3725-16	Skruv	Screw	
6	1	1137-0083-01	Grenrör Kpl	Exhaust Tube Assy	Pro 23
6	1	1134-5733-01	Grenrör Kpl (VanSkydd 20)	Exhaust Pipe Assy	Pro 13, Pro 20
7	4	9939-0820-16	Skruv	Screw	
8	1	9578-0011-01	Rörklämma 38	Tube Clamp	
9	1	1137-0073-01	Ljuddämpare Kpl	Muffler Assy	
10	1	9959-0820-16	Skruv	Screw	
11	1	9739-0831-22	Mutter	Nut	
12	1	1134-5827-01	Oljeavtappning Kpl	Oil Drain Assy	L = 140 mm
13	1	1134-5825-01	Nippel	Nipple	
14	1	9578-0023-04	Slangklämma 15*8 (Vit)	Hose Clamp	
15	1	1134-3499-02	Slangklämma	Hose Clamp	
16	1	1134-5826-01	Plugg	Plug	
17	1	1134-5865-01	Motorremskiva	Engine Belt Pulley	
18	1	9600-0251-00	Kil	Key	
19	1	9987-5376-12	Skruv	Screw	L = 76 mm
19	1	9987-5364-12	Skruv	Screw	L = 64 mm
20	1	1134-5644-01	Bränsletank	Fuel Tank	14 Liter
21	1	1134-5532-01	Tanklock	Fuel Tank Cap	
22	1	1134-3224-01	Bensinkran	Fuel Shut-Off Valve	
23	1	1134-3225-01	Gummibussning	Grommet	
24	1	1134-2975-05	Bensinslang	Fuel Tube	L = 460 mm
25	2	9578-0023-02	Slangklämma D12*8 (Svart)	Hose Clamp	
26	1	1134-5615-01	Tankfäste	Fuel Tank Bracket	
27	1	1134-5621-01	Tankbygel	Tank Loop	
28	1	1134-5622-01	Tankbygel	Tank Loop	
29	1	1134-5623-01	Tankbygel	Tank Loop	
30	1	1134-5765-01	Tankbygel	Tank Loop	
31	2	1134-4481-02	Vingmutter	Wing Nut	
32	2	9747-0631-02	Mutter Låsmutter	Nut	
33	1	9579-0003-00	Buntband	Cable Holder	
34	2	9945-0816-16	Skruv	Screw	
35	1	9939-0820-16	Skruv	Screw	
36	1	1134-0994-02	Rörklammer	Tube Clamp	
37	1	9699-0056-02	Bricka	Washer	
45	1	9893-0616-16	Skruv Relä	Screw Relay	
46	1	1137-0072-01	Deflektor	Deflector	
47	2	9959-0820-16	Skruv	Screw	
48	2	9739-0831-22	Mutter	Nut	



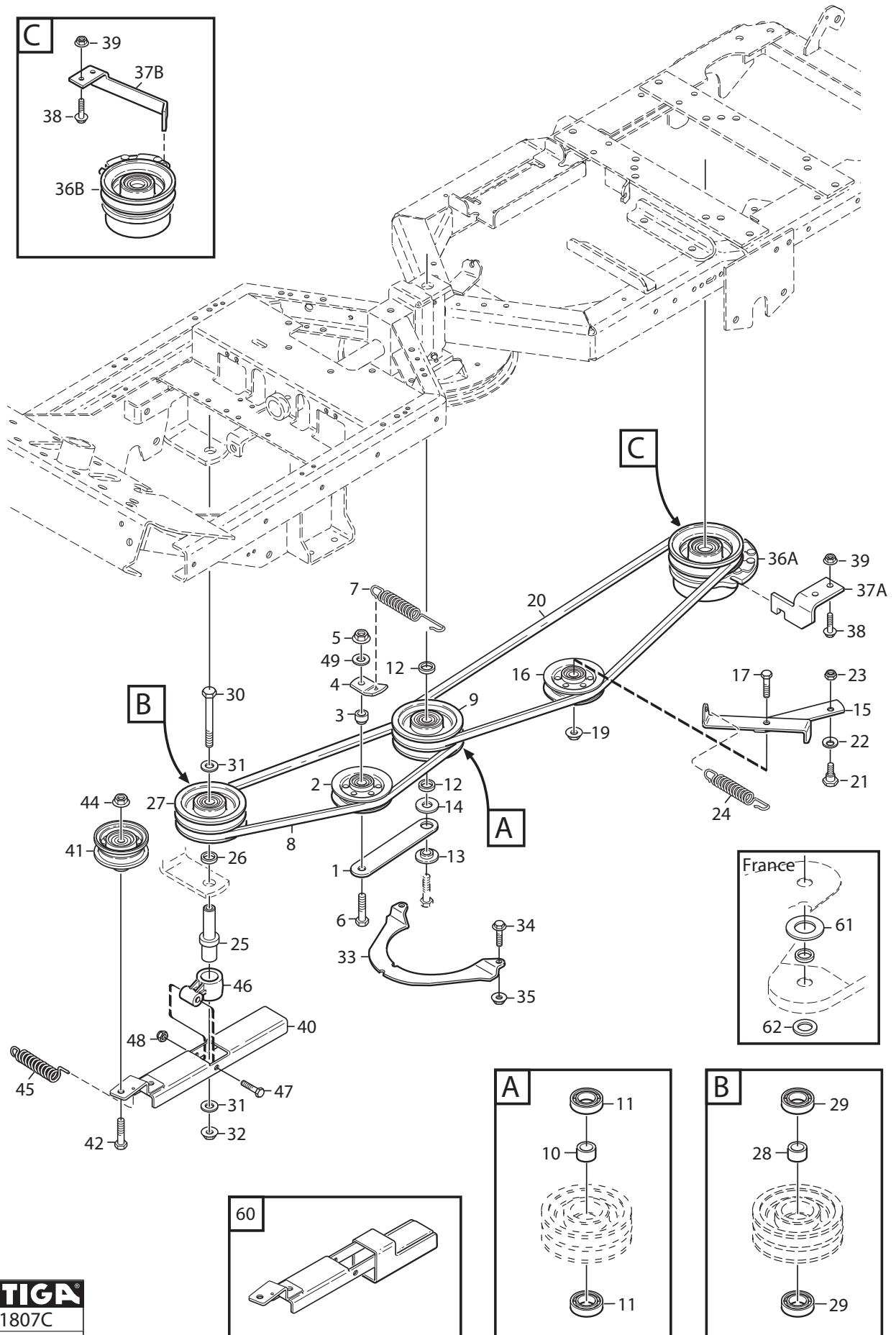
Utgåva Issue 43 - 2014		Transmission		Transmission	
Pos. Fig.	Antal Quantity	Art nr Part No	Benämning	Description	Anmärkning Notes
1	1	1134-5739-01	Spännarm Kpl 5-01	Tension Arm Assy	
2	1	1134-3459-01	Spännrulle	Tension Roller	
3	1	9997-1030-16	Skruv	Screw	
4	1	9739-1031-22	Mutter	Nut	
5	1	1134-0240-00	Skruv	Screw	
6	1	9665-0002-00	Bricka	Washer	
7	1	9747-0831-02	Mutter Låsmutter	Nut	
8	1	1134-5713-02	Fjäder	Spring	
9	1	1134-9058-01	Kilrem	V-Belt	= 9585-0091-01
10	1	1134-5764-01	Remstyrning	Belt Guide	
11	1	9959-0820-16	Skruv	Screw	
12	1	9739-0831-22	Mutter	Nut	
13	1	1134-5700-01	Hydraulpump	Hydraulic Pump	Kanzaki KPL 10ALP
14	1	1134-4190-01	Fläkt	Fan	
15	2	1134-5862-01	Distans	Spacer	
16	1	1134-5821-01	Remskiva	Belt Pulley	
18	1	9731-1031-22	Mutter	Nut	
19	2	9997-1040-16	Skruv	Screw	
20	2	9699-0030-02	Bricka	Washer	
21	2	9731-1031-22	Mutter	Nut	
22	1	1134-5763-01	Dragstång	Pull Rod	
23	1	1134-4014-01	Plastknopp	Knob	
25	2	9675-0009-02	Starlockbricka	Starlock	
26	1	1134-5701-01	Motoraxel-Bakre (Ktm10G)	Rear Motor Unit (Ktm10G)	Kanzaki KTM 10G
27	2	9960-0860-12	Skruv	Screw	
28	1	9699-0090-02	Bricka	Washer	
29	2	9747-0831-02	Mutter Låsmutter	Nut	
30	1	1134-5703-01	Flänslagerenhet	Flange Bearing Unit	
30	1	9501-0500-00	Smörjkopp Kort Rak	Grease Dispenser	
31	2	9997-1040-16	Skruv	Screw	
32	2	9731-1031-22	Mutter	Nut	
33	1	1134-1565-15	Distans	Spacer	
34	1	9997-0812-02	Skruv	Screw	
35	1	9747-0831-02	Mutter Låsmutter	Nut	
36	1	1134-5702-01	Motoraxel-Främre (Ktm10F)	Front Motor Unit (Ktm10F)	Kanzaki KTM 10F
37	2	9960-0860-12	Skruv	Screw	
38	1	9699-0090-02	Bricka	Washer	
39	2	9747-0831-02	Mutter Låsmutter	Nut	
40	1	9501-0500-00	Smörjkopp Kort Rak	Grease Dispenser	
40	1	1134-5703-01	Flänslagerenhet	Flange Bearing Unit	
41	2	9997-1040-16	Skruv	Screw	
42	2	9731-1031-22	Mutter	Nut	
48	1	1134-5670-01	Reaktionsstag 5-01	Strut	
49	1	9997-0880-16	Skruv	Screw	
50	1	9747-0831-02	Mutter Låsmutter	Nut	
51	2	9945-0816-16	Skruv	Screw	
52	1	1134-4242-01	Distansbricka	Washer	



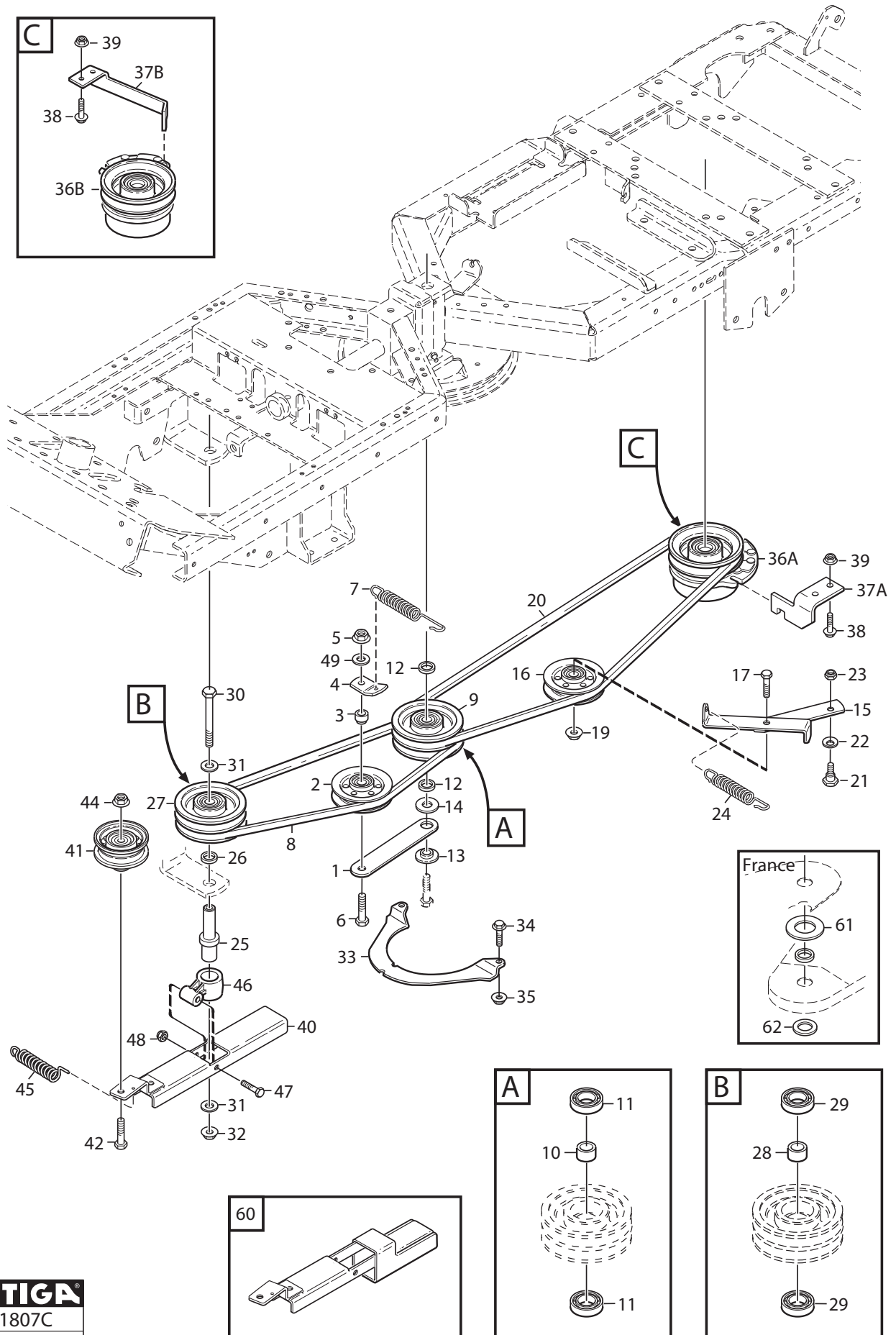
Utgåva Issue 43 - 2014		Transmission			
Pos. Fig.	Antal Quantity	Art nr Part No	Benämning	Description	Anmärkning Notes
1	1	1134-5810-01	Adapter	Hydraulic Coupling	3/4" x 3/4"
1	1	9404-0029-01	O-Ring (16,36 X 2,21)	O-ring	
2	1	1134-5754-01	Hydraulslang	Hydraulic Tube	
3	1	1134-5808-01	Skärringskoppling	Hydraulic Coupling	3/4"
3	1	9404-0029-01	O-Ring (16,36 X 2,21)	O-ring	
4	1	1134-5814-01	Hydraulrör	Hydraulic Tube	
5	1	1134-5809-01	Adapter	Hydraulic Coupling	3/4" x 9/16"
5	1	9404-0029-01	O-Ring (16,36 X 2,21)	O-ring	
6	1	1134-5759-01	Hydraulslang	Hydraulic Tube	
10	1	1134-5807-01	Vinkeladapter	Hydraulic Angle Coupling	3/4" x 3/4"
10	1	9404-0029-01	O-Ring (16,36 X 2,21)	O-ring	
11	1	1134-5875-01	Skärringskoppling	Hydraulic Coupling	3/4"
11	1	9404-0029-01	O-Ring (16,36 X 2,21)	O-ring	
13	1	9578-0028-01	Rörklammer	Tube Clamp	
14	1	9959-0825-16	Skruv	Screw	
15	1	1134-5753-01	Hydraulslang	Hydraulic Tube	
16	1	1134-5809-01	Adapter	Hydraulic Coupling	3/4" x 9/16"
16	1	9404-0029-01	O-Ring (16,36 X 2,21)	O-ring	
17	1	1134-5758-01	Hydraulslang	Hydraulic Tube	
18	1	1134-1565-09	Distans	Spacer	
20	1	1134-5808-01	Skärringskoppling	Hydraulic Coupling	3/4"
20	1	9404-0029-01	O-Ring (16,36 X 2,21)	O-ring	
21	1	1134-5810-01	Adapter	Hydraulic Coupling	3/4" x 3/4"
21	1	9404-0029-01	O-Ring (16,36 X 2,21)	O-ring	
22	1	1134-4282-01	Hydraulnippel	Hydraulic Nipple	9/16" x 9/16"
22	1	9404-0028-01	O-Ring 11,89 X 1,98	O-ring	
23	1	1134-5758-02	Hydraulslang	Hydraulic Tube	
24	1	1134-5810-01	Adapter	Hydraulic Coupling	3/4" x 3/4"
24	1	9404-0029-01	O-Ring (16,36 X 2,21)	O-ring	
25	1	1134-5760-01	Hydraulslang	Hydraulic Tube	
26	1	1134-5819-02	Hydraultank Kpl (M. Filter)	Hydraulic Oil Tank (W. Filter)	
26	1	1134-5965-01	Tanklock-Hydraultank	Cap-Hydraulic Oil Tank	
26	1	1134-5962-02	Oljefilter	Oil Filter	
26	1	1134-5963-01	Hölje-Oljefilter	Cover-Oil Filter	
26	1	1134-5964-01	Fjäder	Spring	
27	1	9838-9516-12	Skruv	Screw	
29	3	9578-0023-04	Slangklämma 15*8 (Vit)	Hose Clamp	
30	1	9578-0023-05	Slangklämma 18,0/8	Hose Clamp	
31	1	9579-0003-00	Buntband	Cable Holder	
32	1	1134-6039-01	Hydraulrör Smst	Hydraulic Pipe Assy	
33	1	1134-4948-01	Bricka	Washer	
34	1	1134-6042-01	Snabbkoppling-Hane 1/4"	Quick Coupling-Male	



Utgåva Issue 43 - 2014		Hjul Wheels			
Pos. Fig.	Antal Quantity	Art nr Part No	Benämning	Description	Anmärkning Notes
1	2	1134-4844-03	Hjulnav Kpl	Wheel Hub Assy	
2	2	1134-3383-02	Kil	Key	
3	2	1134-4558-01	Fälg	Rim	
4	2	9545-0124-01	Däck	Tyre	17 x 8.00 - 8
5	2	9545-0500-00	Ventil	Valve Assy.	
6	6	9731-1031-22	Mutter	Nut	
9	4	1134-5797-01	Bricka	Washer	
10	2	9653-0002-04	Spåryttare	Lock Ring	
21	2	1134-4844-03	Hjulnav Kpl	Wheel Hub Assy	
22	2	1134-3383-02	Kil	Key	
23	2	1134-4558-01	Fälg	Rim	
24	2	9545-0124-01	Däck	Tyre	17 x 8.00 - 8
25	2	9545-0500-00	Ventil	Valve Assy.	
26	6	9731-1031-22	Mutter	Nut	
30	2	9653-0002-04	Spåryttare	Lock Ring	
31	2	1134-4796-01	Navkapsel	Hub Cap	
32	2	9947-0540-19	Skruv	Screw	
45	1	13-0993-61	Rac Snabbfäste 4Wd Park	Rac Quick Connection 4Wd	Inkl. pos 9,10,46-51
46	1	1134-7465-01	Sats-Fästen (Vä+Hö Inkl Skruv)	Attachment Kit	Inkl. pos 50-51
47	2	1137-0077-01	Låssprint	Locking Pin	
48	4	1134-5686-01	Bussning	Bearing	
49	2	9501-0502-00	Smörjnippel	Grease Joint	
50	2	9898-1035-16	Skruv	Screw	
51	2	9739-1031-22	Mutter	Nut	
99	1	9545-0203-00	Innerslang	Inner Tube	Reservdel/spare part



Utgåva Issue 43 - 2014		Kraftuttag Power take-off			
Pos. Fig.	Antal Quantity	Art nr Part No	Benämning	Description	Anmärkning Notes
1	1	1134-1730-01	Spännhjulsarm	Tensioning Wheel Arm	
2	1	1134-3663-01	Remskiva	Tension Wheel	
3	1	1134-1888-05	Distans	Spacer	
4	1	1134-1893-01	Fjäder	Spring	
5	1	9739-1031-22	Mutter	Nut	
6	1	9997-1060-12	Skruv	Screw	
7	1	1134-5713-01	Fjäder	Spring	
8	1	1134-9098-01	Drivrem	Drive Belt	9585-0148-01
9	1	1137-0004-01	Centrumremskiva Smst	Centre Pulley Assy	Inkl. pos 10-11
10	1	1134-0051-09	Distans	Spacer	
11	2	9549-0019-00	Kullager	Ball Bearing	
12	2	1134-0052-00	Distans	Spacer	
13	1	1134-0222-00	Bricka	Washer	
14	1	9699-0109-02	Bricka	Washer	
15	1	1134-5742-01	Spännarm	Tension Arm	
16	1	1134-3663-01	Remskiva	Tension Wheel	
17	1	9997-1040-16	Skruv	Screw	
19	1	9739-1031-22	Mutter	Nut	
20	1	1134-9097-01	Drivrem	Drive Belt	9585-0147-01
21	1	1134-0240-00	Skruv	Screw	
22	1	9665-0002-00	Bricka	Washer	
23	1	9747-0831-02	Mutter Låsmutter	Nut	
24	1	1134-5713-03	Fjäder	Spring	
25	1	1134-5663-01	Axel	Shaft	
26	1	1134-0052-00	Distans	Spacer	
27	1	1137-0004-01	Centrumremskiva Smst	Centre Pulley Assy	Inkl. pos 28-29
28	1	1134-0051-09	Distans	Spacer	
29	2	9549-0019-00	Kullager	Ball Bearing	
30	1	9997-1011-06	Skruv	Screw	
31	2	9699-0030-02	Bricka	Washer	
32	1	9739-1031-22	Mutter	Nut	
33	1	1134-3654-01	Fingerskydd 5-01 24	Guard	
34	2	9959-0612-16	Skruv	Screw	
35	2	9739-0631-22	Strålkastare Mutter	Working lamp Nut	
36	1	1134-7430-01	Magnetkoppling	Magnet Clutch	
36	1	1134-5674-01	Magnetkoppling	Magnet Clutch	
37	1	1134-5664-01	Momentstag 5-01	Torque Plate	
38	1	1134-6452-01	Reaktionsstag (5-01)	Strut	
38	2	9959-0820-16	Skruv	Screw	
39	2	9739-0831-22	Mutter	Nut	
40	1	1134-5660-01	Spännarm Kpl 5-01	Tension Arm Assy	
41	1	1134-5823-01	Spännrulle Kpl	Tension Roller Assy	
42	1	9997-1050-16	Skruv	Screw	
44	1	9739-1031-22	Mutter	Nut	
45	1	1134-5824-01	Fjäder	Spring	
46	1	1134-6314-01	Spännarmsfäste	Tension Arm Attachment	
47	1	9997-0645-12	Skruv	Screw	
48	1	9747-0631-02	Mutter Låsmutter	Nut	
49	1	9699-0035-02	Bricka	Washer	



Utgåva Issue 43 - 2014		Kraftuttag Power take-off			
Pos. Fig.	Antal Quantity	Art nr Part No	Benämning	Description	Anmärkning Notes
60	1	1137-0386-01	Spännarm 5-01	Tension Arm	France
61	1	1137-0353-01	Bricka	Washer	26x50x2
62	1	9699-0104-02	Bricka	Washer	17x30x3
63	1	9699-0035-02	Bricka	Washer	10,5x22x2



code	pos.	q.ty	page								
9699-0090-02	38	1	p. 29	9747-0831-02	50	1	p. 29	9959-0820-16	14	2	p. 23
9699-0090-02	47	2	p. 21	9747-1031-02	3	2	p. 13	9959-0820-16	28	1	p. 25
9699-0103-02	5	1	p. 3	9794-5131-02	6	2	p. 25	9959-0820-16	38	2	p. 35
9699-0104-02	62	1	p. 37	9838-9516-12	7	1	p. 7	9959-0820-16	44	4	p. 13
9699-0109-02	14	1	p. 35	9838-9516-12	7	1	p. 25	9959-0820-16	47	2	p. 27
9699-0114-02	5	1	p. 3	9838-9516-12	10	2	p. 25	9959-0825-16	14	1	p. 31
9699-0120-02	5	1	p. 7	9838-9516-12	11	4	p. 7	9959-1025-16	12	2	p. 9
9710-0631-12	55	1	p. 19	9838-9516-12	27	1	p. 31	9960-0860-12	27	2	p. 29
9731-1031-22	6	6	p. 33	9838-9516-12	27	3	p. 13	9960-0860-12	37	2	p. 29
9731-1031-22	18	1	p. 29	9838-9516-12	41	2	p. 5	9987-5364-12	19	1	p. 27
9731-1031-22	21	2	p. 29	9838-9516-12	46	2	p. 5	9987-5376-12	19	1	p. 27
9731-1031-22	26	6	p. 33	9838-9516-12	49	4	p. 13	9988-3713-16	3	2	p. 13
9731-1031-22	32	2	p. 29	9838-9516-12	54	3	p. 23	9997-0512-16	36	3	p. 21
9731-1031-22	42	2	p. 29	9840-7716-16	21	2	p. 25	9997-0520-16	27	2	p. 23
9739-0531-22	24	2	p. 23	9840-8013-16	28	2	p. 5	9997-0630-12	57	1	p. 19
9739-0531-22	28	2	p. 23	9840-8013-16	33	4	p. 13	9997-0645-12	42	2	p. 11
9739-0531-22	37	3	p. 21	9893-0616-16	2	4	p. 7	9997-0645-12	47	1	p. 35
9739-0631-22	35	2	p. 35	9893-0616-16	3	2	p. 5	9997-0812-02	34	1	p. 29
9739-0631-22	43	2	p. 11	9893-0616-16	7	2	p. 11	9997-0835-16	16	1	p. 23
9739-0631-22	44	1	p. 25	9893-0616-16	11	6	p. 5	9997-0840-12	33	2	p. 23
9739-0631-22	60	2	p. 19	9893-0616-16	14	4	p. 7	9997-0870-16	35	1	p. 17
9739-0631-22	62	4	p. 23	9893-0616-16	18	1	p. 7	9997-0880-16	49	1	p. 29
9739-0631-22	65	2	p. 23	9893-0616-16	23	6	p. 5	9997-1011-06	30	1	p. 35
9739-0831-22	3	2	p. 21	9893-0616-16	26	2	p. 21	9997-1030-16	3	1	p. 29
9739-0831-22	11	1	p. 27	9893-0616-16	27	4	p. 5	9997-1030-16	19	3	p. 17
9739-0831-22	12	1	p. 29	9893-0616-16	28	4	p. 21	9997-1040-16	17	1	p. 35
9739-0831-22	15	2	p. 3	9893-0616-16	32	2	p. 9	9997-1040-16	19	2	p. 29
9739-0831-22	15	2	p. 23	9893-0616-16	40	1	p. 13	9997-1040-16	31	2	p. 29
9739-0831-22	17	1	p. 23	9893-0616-16	41	1	p. 25	9997-1040-16	41	2	p. 29
9739-0831-22	23	4	p. 17	9893-0616-16	45	1	p. 27	9997-1045-12	3	2	p. 13
9739-0831-22	29	1	p. 25	9897-0616-16	29	2	p. 5	9997-1050-16	13	2	p. 17
9739-0831-22	31	2	p. 13	9897-0616-16	59	2	p. 19	9997-1050-16	42	1	p. 35
9739-0831-22	35	2	p. 23	9897-0820-16	2	2	p. 21	9997-1060-12	6	1	p. 35
9739-0831-22	39	1	p. 11	9897-0820-16	5	4	p. 13	9997-1070-12	7	1	p. 23
9739-0831-22	39	2	p. 35	9897-0820-16	22	4	p. 17				
9739-0831-22	48	2	p. 27	9897-0820-16	30	2	p. 13				
9739-1031-22	4	1	p. 29	9897-0880-12	4	2	p. 13				
9739-1031-22	5	1	p. 35	9897-1040-12	14	2	p. 17				
9739-1031-22	9	1	p. 23	9898-1035-16	18	2	p. 3				
9739-1031-22	15	4	p. 17	9898-1035-16	50	2	p. 33				
9739-1031-22	19	1	p. 35	9939-0612-16	43	3	p. 17				
9739-1031-22	19	2	p. 3	9939-0820-16	7	4	p. 27				
9739-1031-22	20	3	p. 17	9939-0820-16	35	1	p. 27				
9739-1031-22	32	1	p. 35	9943-0516-16	15	2	p. 25				
9739-1031-22	44	1	p. 35	9943-0516-16	17	1	p. 21				
9739-1031-22	51	2	p. 33	9943-0516-16	19	2	p. 9				
9747-0531-02	21	2	p. 5	9945-0816-16	8	6	p. 5				
9747-0531-02	55	2	p. 23	9945-0816-16	16	3	p. 7				
9747-0631-02	5	1	p. 25	9945-0816-16	21	3	p. 7				
9747-0631-02	6	2	p. 5	9945-0816-16	26	1	p. 17				
9747-0631-02	32	2	p. 27	9945-0816-16	30	2	p. 23				
9747-0631-02	41	1	p. 13	9945-0816-16	34	2	p. 27				
9747-0631-02	48	1	p. 35	9945-0816-16	51	2	p. 29				
9747-0831-02	6	6	p. 13	9946-0525-16	19	3	p. 5				
9747-0831-02	7	1	p. 29	9946-0525-16	39	4	p. 21				
9747-0831-02	9	2	p. 17	9946-0525-16	43	2	p. 5				
9747-0831-02	13	2	p. 13	9947-0540-19	32	2	p. 33				
9747-0831-02	14	1	p. 21	9950-0570-12	20	2	p. 5				
9747-0831-02	18	2	p. 9	9955-3725-16	5	4	p. 27				
9747-0831-02	22	1	p. 13	9958-0820-16	17	4	p. 13				
9747-0831-02	23	1	p. 35	9959-0612-16	34	2	p. 35				
9747-0831-02	29	2	p. 29	9959-0612-16	43	2	p. 25				
9747-0831-02	35	1	p. 29	9959-0620-16	61	4	p. 23				
9747-0831-02	36	2	p. 23	9959-0620-16	64	2	p. 23				
9747-0831-02	38	1	p. 17	9959-0820-16	10	1	p. 27				
9747-0831-02	39	2	p. 29	9959-0820-16	11	1	p. 29				
				9959-0820-16	14	2	p. 3				