



## ***Reservdelskatalog Parts Catalogue***

# ***Park Pro 340 X***

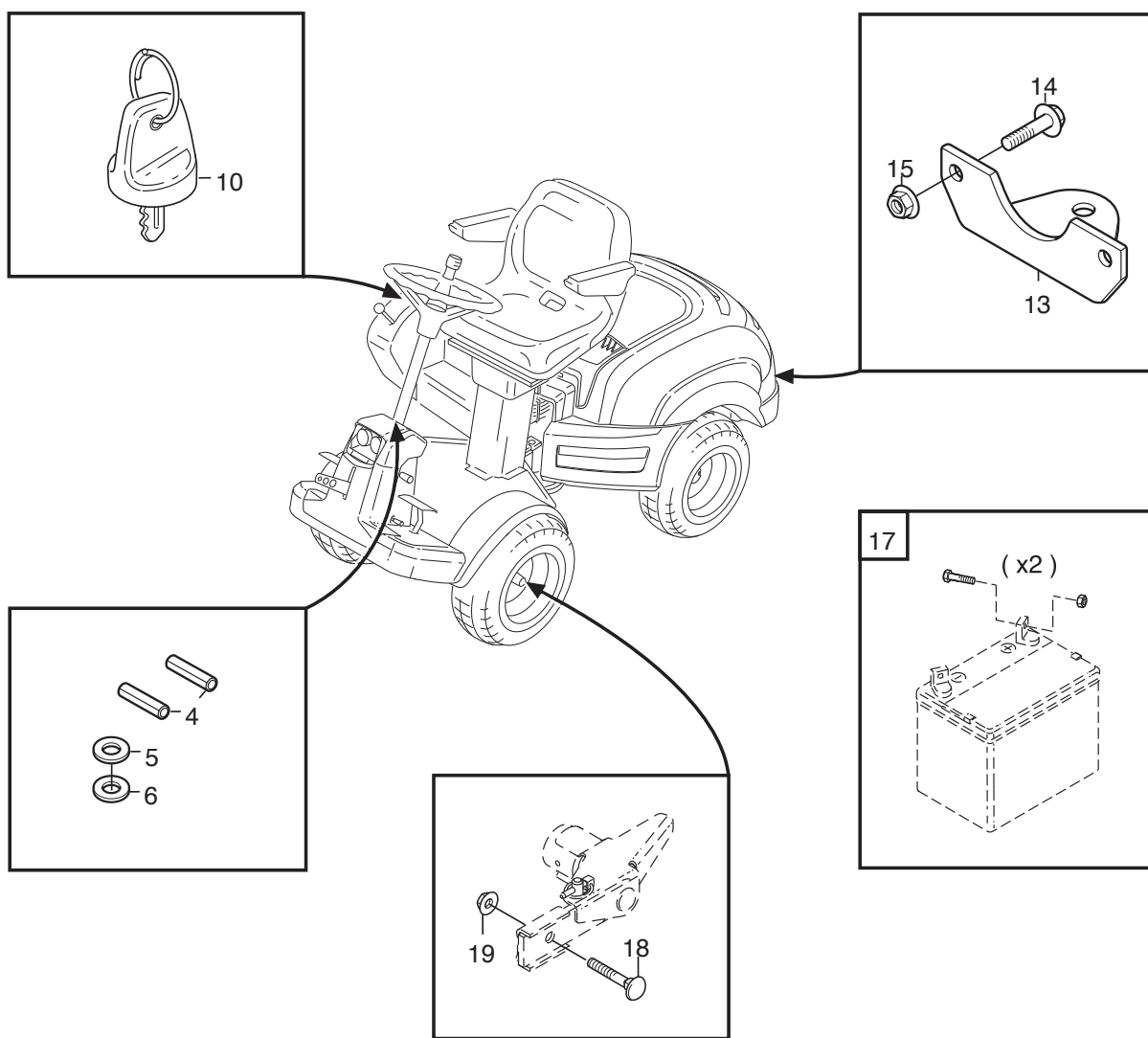
***13-6269-31 - Season 2015***

- Use GLOBAL GARDEN PRODUCT Genuine Spare Parts specified in the parts list for repair and/or replacement.
  - The contents described in the parts list may change due to improvement.
  - The drawings of the spare parts are only indicative and might not represent the part in question exactly.
  - The indications "right" - "left" - "front" - "rear" refer to the position of the operator when using the machine.
- When placing orders of parts for repair and/or replacement, make sure that the illustrated parts list is the one applying to the machine's year of manufacture, as shown on the identification plate attached to the machine.

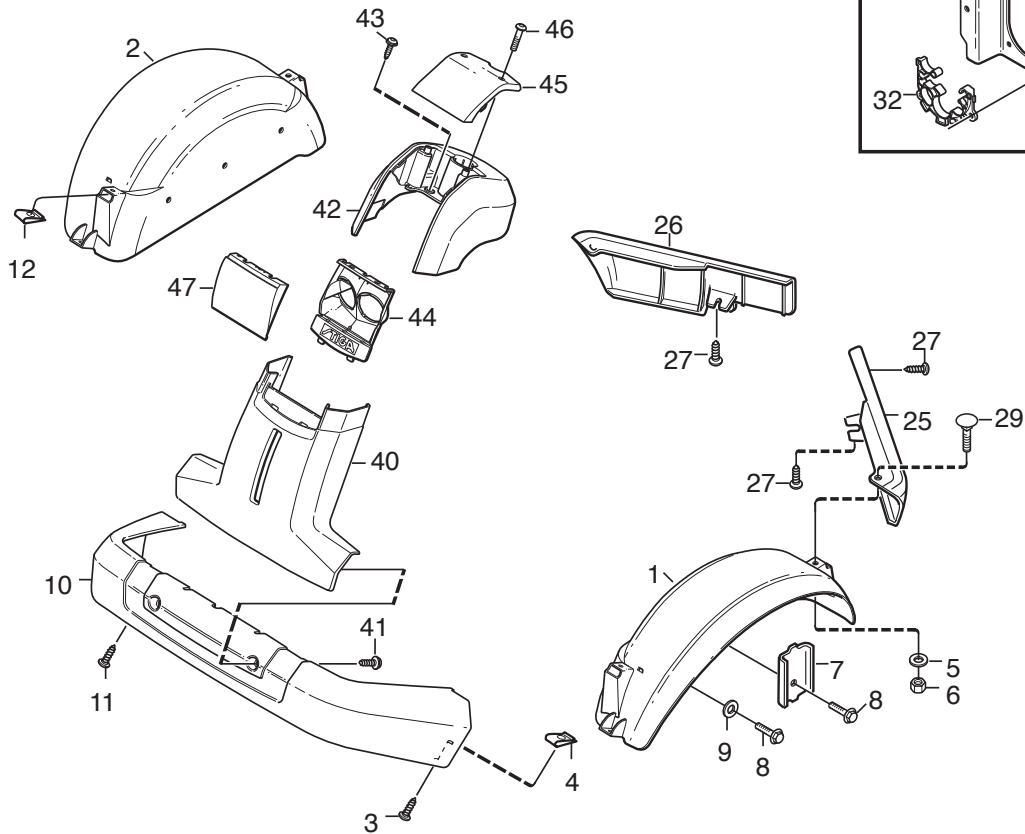
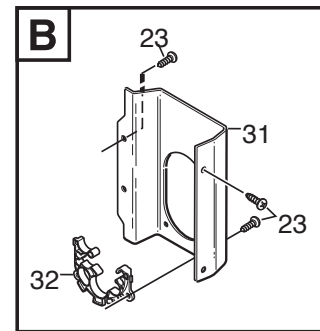
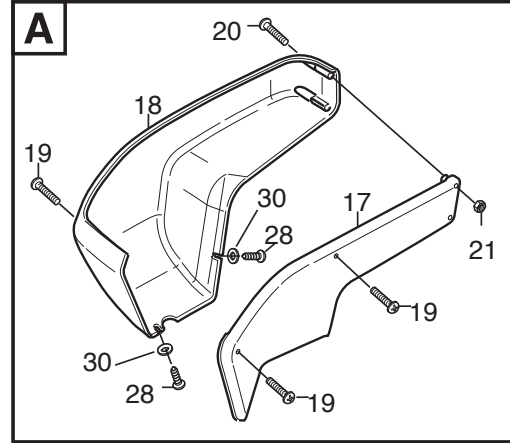
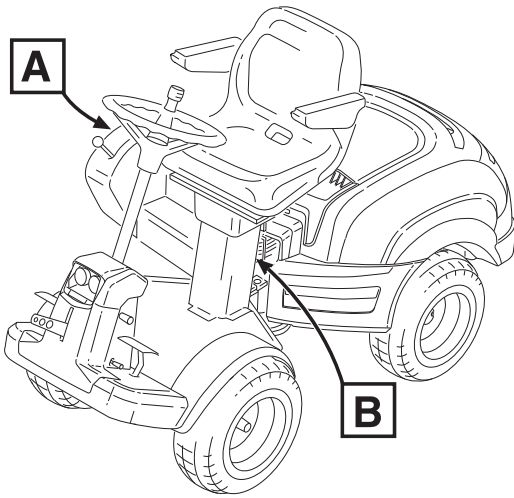
© Copyright 2015 Global Garden Products

All rights reserved. No part of this material may be reproduced or transmitted, in any form or by any means, electronic or mechanical, including photocopying, recording or by any information storage and retrieval system, without permission in writing from GLOBAL GARDEN PRODUCTS.

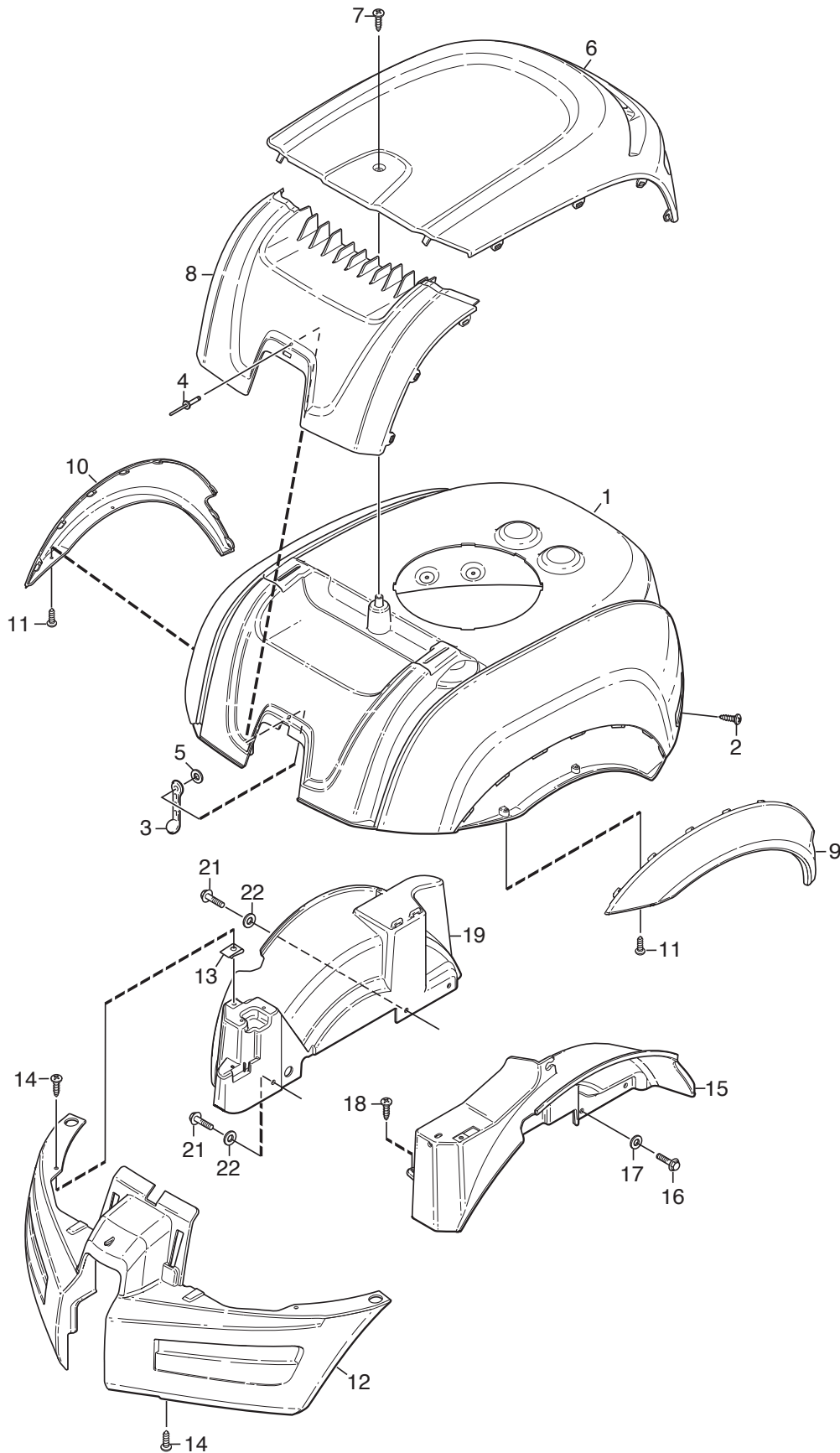
*[www.stiga.com](http://www.stiga.com)*



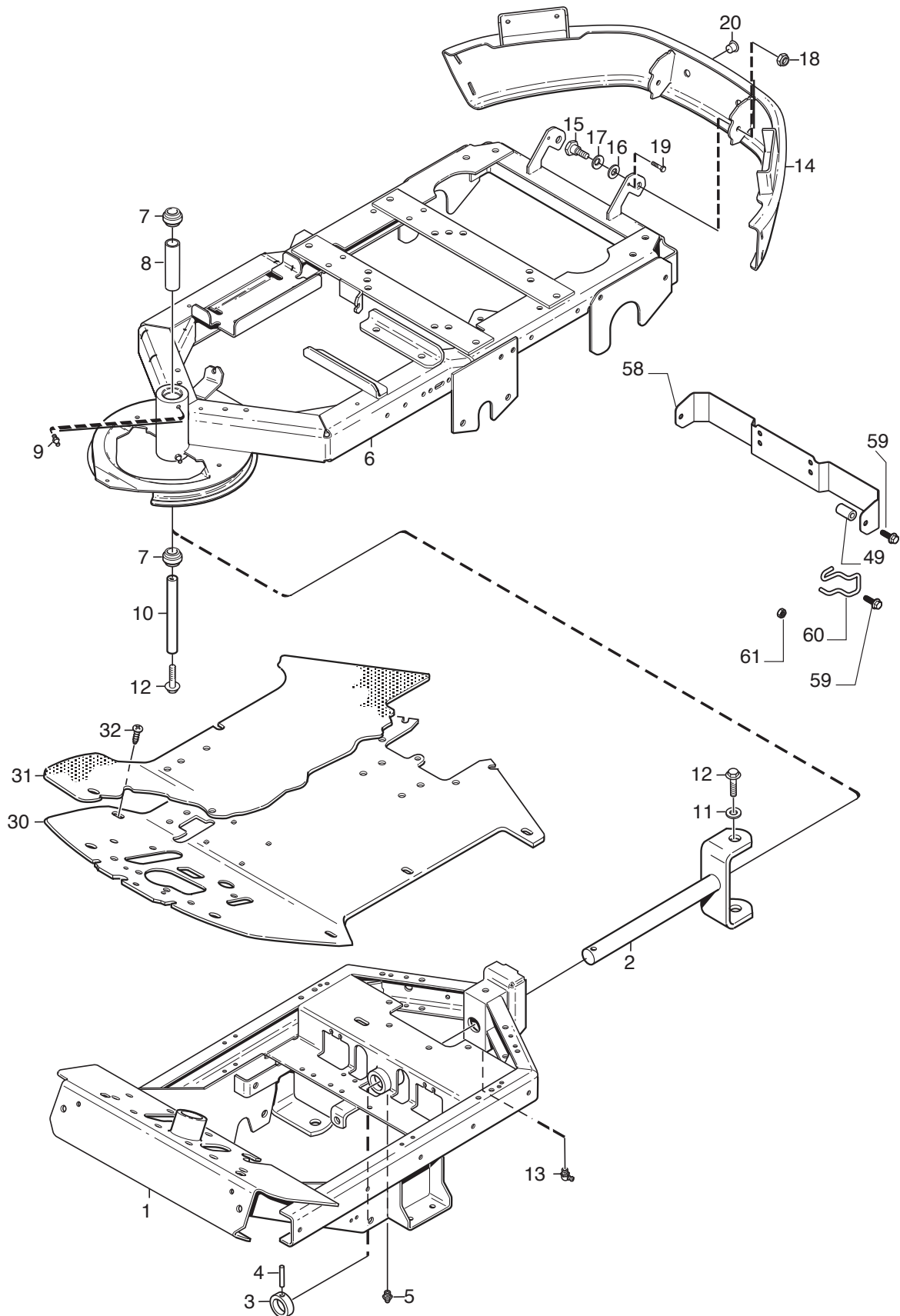
Utgåva Issue 10 - 2015		Monteringsdetaljer Assembly parts			
Pos. Fig.	Antal Quantity	Art nr Part No	Benämning	Description	Anmärkning Notes
10	2	1134-4734-01	Tändningsnyckel	Ignition Key	
13	1	1134-5512-01	Dragplat5-01	Towing Plate	
14	2	9959-0820-16	Skruv	Screw	
15	2	112154220/0	Mutter	Nut	
17	1	1134-6113-02	Skruv	Screw	
18	2	9898-1035-16	Skruv	Screw	
19	2	9739-1031-22	Mutter	Nut	
4	2	9595-0262-00	Spännstift	Locating Pin	
5	1	9699-0103-02	Bricka	Washer	0.5 mm
6	1	9699-0114-02	Bricka	Washer	1.0 mm



Utgåva Issue 10 - 2015		Kaross-Fram		Body Work-Front	
Pos. Fig.	Antal Quantity	Art nr Part No	Benämning	Description	Anmärkning Notes
1	1	1137-0048-01	Framskärm-Vä	Mud Guard, Front-Lh	
2	1	1137-0048-02	Framskärm-Hö	Mud Guard, Front-Rh	
3	2	9893-0616-16	Skruv   Relä	Screw   Relay	
4	2	1134-4176-01	Clips	Clips	
5	2	9699-0060-02	Bricka	Washer	
6	2	112154510/0	Mutter	Nut	
7	2	1137-0088-01	Stödplat	Support Plate	
8	6	9945-0816-16	Skruv	Screw	
9	4	112523060/0	Bricka	Washer	
10	1	1137-0049-01	Stötfangare-Fram	Front Bumper	
11	6	9893-0616-16	Skruv   Relä	Screw   Relay	
12	2	1134-4176-01	Clips	Clips	
17	1	1134-4360-01	Kapa-Inre (1-00)	Cover-Inner	
18	1	1134-3979-01	Kapa Yttre1-00	Cover-Outer	
19	3	9946-0525-16	Skruv	Screw	
20	2	9950-0570-12	Skruv	Screw	
21	2	112154330/0	Mutter	Nut	
23	6	9893-0616-16	Skruv   Relä	Screw   Relay	
25	1	1134-3970-05	Kantlist-Vä (Gra) 7-14	Moulding-Left (Grey)	
26	1	1134-3970-02	Kantlist-Hö (Gra) 7-14	Moulding Right-Grey	
27	4	9893-0616-16	Skruv   Relä	Screw   Relay	
28	2	9840-8013-16	Skruv	Screw	
29	2	112815200/0	Skruv	Screw	
30	2	112521320/0	Bricka	Washer	
31	1	1137-0061-01	Bakstycke (1-00)	Rear Plate	
32	1	1137-0065-01	Slanghallare	Tube Collector	
40	1	1137-0050-01	Frontkapa-Nedre	Front Panel-Lower	
41	2	112728697/0	Skruv	Screw	
42	1	1137-0051-01	Frontkapa-Övre	Front Panel-Upper	
43	2	9946-0525-16	Skruv	Screw	
44	1	1137-0052-01	Lamphallare	Lamp Holder	
45	1	1137-0053-01	Toppkapa	Top Panel	
46	2	112728697/0	Skruv	Screw	
47	1	1137-0054-01	Lampglas	Lamp Glass	

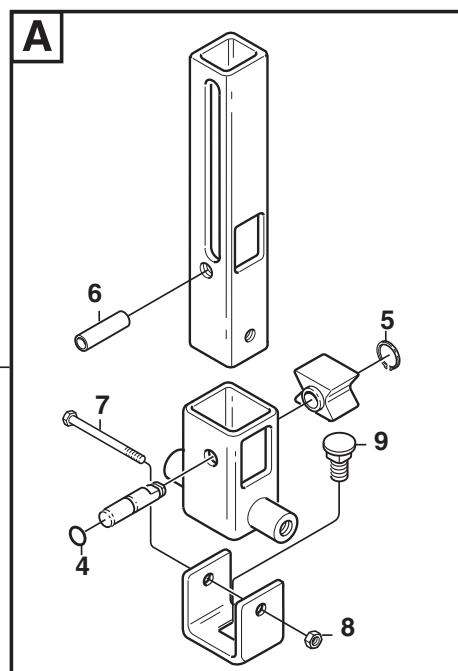
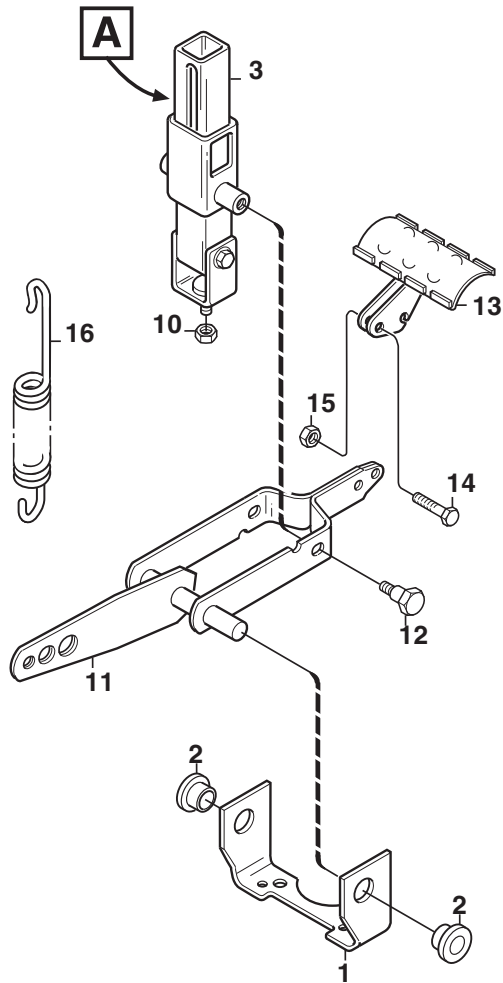


Utgåva Issue 10 - 2015		Kaross-Bak		Body work-Rear	
Pos. Fig.	Antal Quantity	Art nr Part No	Benämning	Description	Anmärkning Notes
1	1	1134-5634-01	Motorhuv	Engine Hood	
2	4	9893-0616-16	Skruv   Relä	Screw   Relay	
3	1	1134-9028-01	Gummistropp (3 St)	Rubber Strap (3 Pcs)	Sats 3 st/kit if 3
4	1	9632-0513-00	Popnit1 -0420 Bs [Tap/D Bs] 3,2X20	Pop Rivet	
5	1	9699-0120-02	Bricka	Washer	
6	1	1134-5636-01	Motorlucka	Engine Cover	
7	1	112728697/0	Skruv	Screw	
8	1	1134-5635-01	Frontlucka Motorhuv	Engine Front Cover	
9	1	1134-5638-01	Skärnbröddare-Vä	Wheel Arch Liner-Lh	
10	1	1134-5638-02	Skärnbröddare-Hö	Wheel Arch Liner-Rh	
11	4	112728697/0	Skruv	Screw	
12	1	1134-5637-01	Spoiler	Spoiler	
13	2	1134-4176-01	Clips	Clips	
14	4	9893-0616-16	Skruv   Relä	Screw   Relay	
15	1	1134-5647-01	Innerskärm-Vä	Inner Fender-Lh	
16	3	9945-0816-16	Skruv	Screw	
17	3	112523060/0	Bricka	Washer	
18	1	9893-0616-16	Skruv   Relä	Screw   Relay	
19	1	1134-5647-02	Innerskärm-Hö	Inner Fender-Rh	
21	3	9945-0816-16	Skruv	Screw	
22	3	112523060/0	Bricka	Washer	

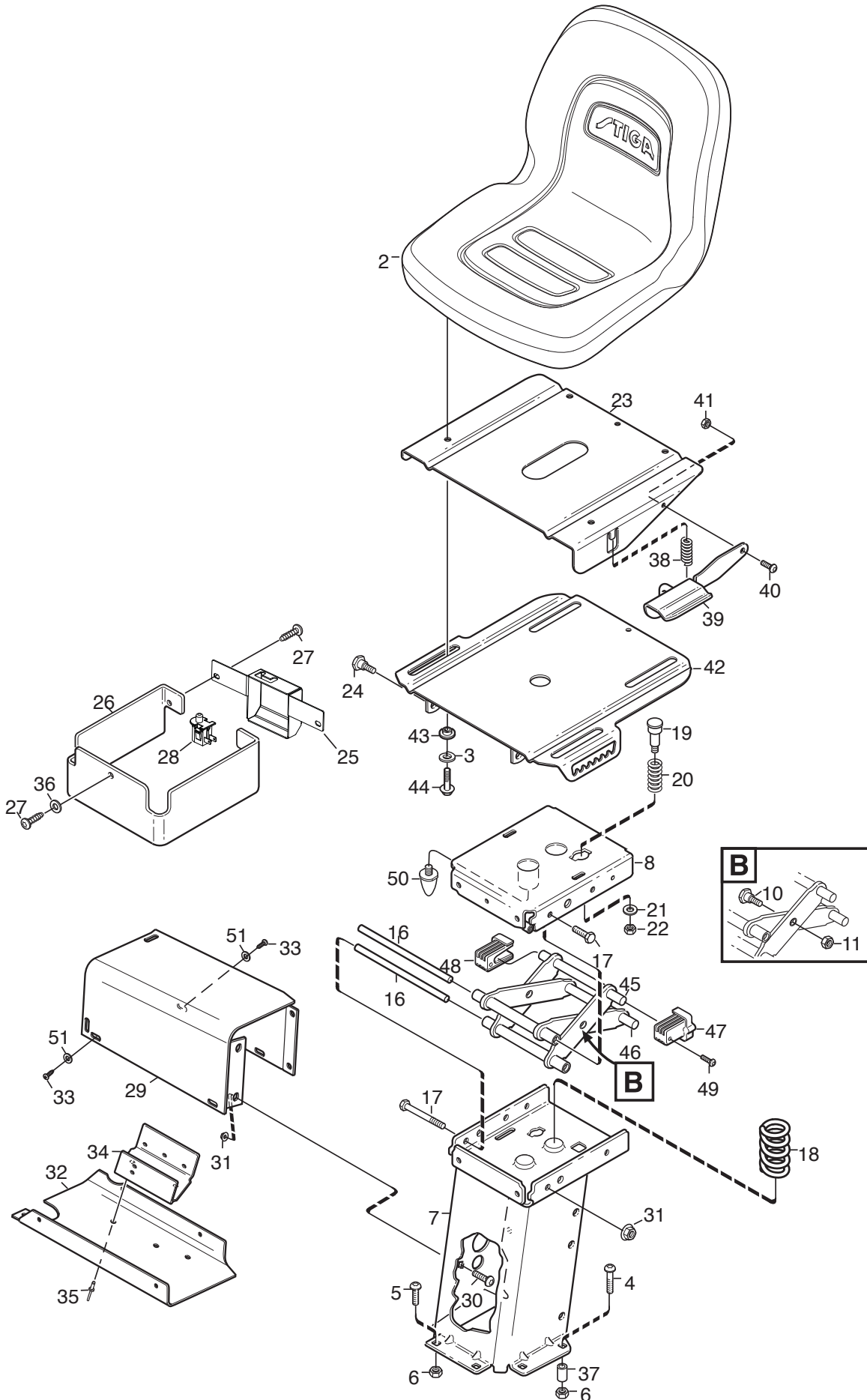




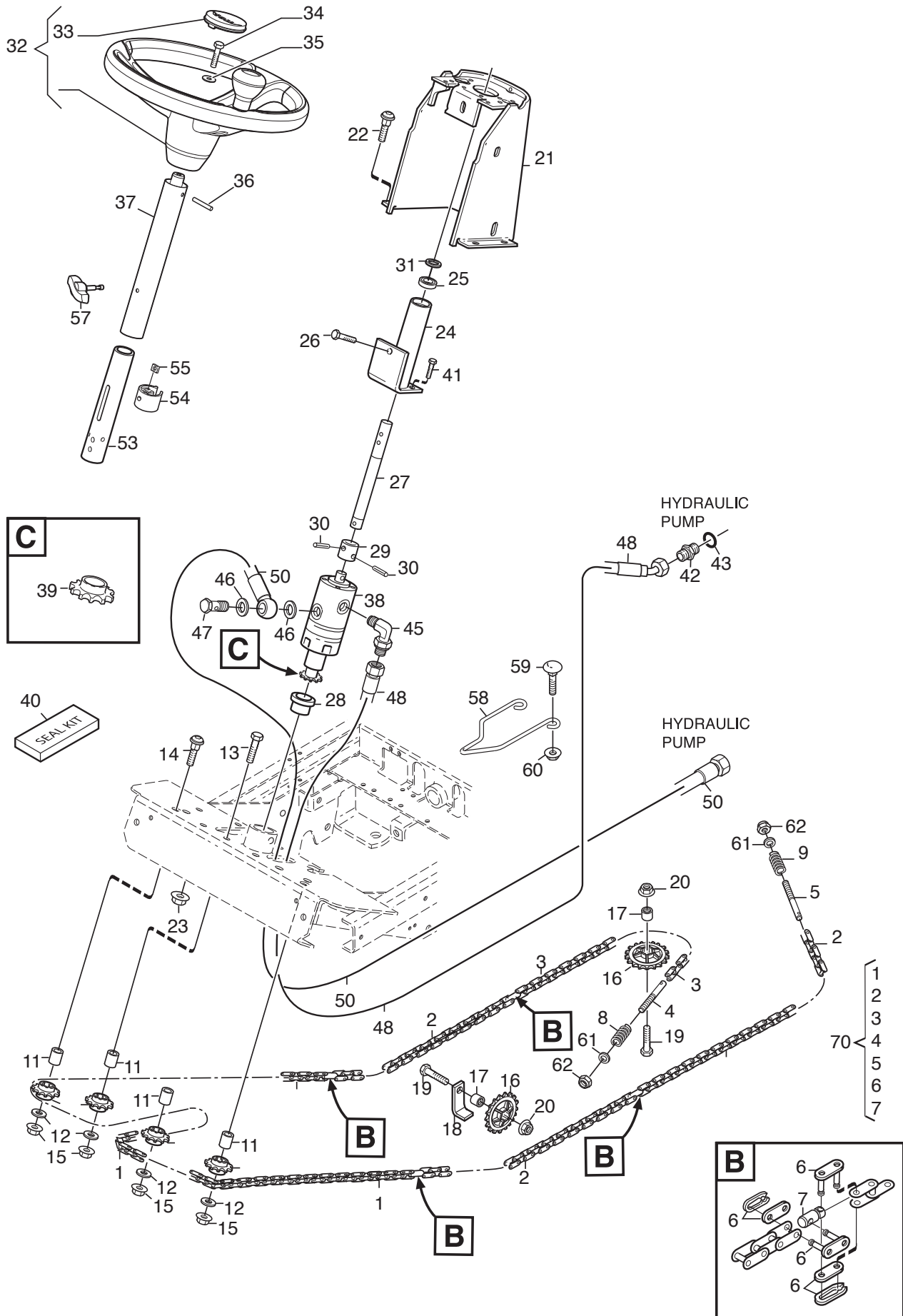
Utgåva Issue 10 - 2015		Ram Frame			
Pos. Fig.	Antal Quantity	Art nr Part No	Benämning	Description	Anmärkning Notes
1	1	387800013/0	Ram-Främre	Frame-Front	Incl. pos. 2-3-4-5-13
2	1	1137-1120-01	Midjegaffel	Fork	
3	1	1134-0031-00	Ledaxelstopp	Pivot Shaft Stop	
4	1	9595-0262-00	Spännstift	Locating Pin	
5	1	112379511/0	Smörjnippel	Grease Dispenser	Rak/straight
6	1	387800009/0	Ram Bakre Kpl	Frame-Rear Assy	Incl. pos. 7-8-9
7	2	9547-0001-00	Ledlager Ge17Es	Bearing	
8	1	1134-5705-01	Distans	Spacer	
9	2	112379511/0	Smörjnippel	Grease Dispenser	
10	1	1134-5988-01	Centrumaxel	Centre Shaft	
11	1	9699-0035-02	Bricka	Washer	
12	2	9959-1025-16	Skruv	Screw	
13	1	9501-0504-01	Smörjnippel	Grease Nipple M6 90	90°
14	1	1134-5676-01	Stötfangare	Rear Bumper	
15	2	1134-0240-00	Skruv	Screw	
16	2	1134-4242-01	Distansbricka	Washer	
17	2	9665-0002-00	Bricka	Washer	
18	2	112155000/0	Mutter	Nut	
19	2	9943-0516-16	Skruv	Screw	
20	2	1134-4100-01	Täckpropp	Plug	
30	1	1134-6586-01	Durk (5-01)	Floor Plate	
31	1	1134-6372-04	Durkmatta	Floor Mat Hst	
32	2	9893-0616-16	Skruv   Relä	Screw   Relay	
49	1	1134-1565-09	Distans	Spacer	
58	1	387602503/0	Skydd	Protection	
59	3	9945-0825-16	Skruv	Screw	
60	1	387602501/0	Ljuddämparskydd	Muffler Guard	
61	1	112155015/0	Mutter	Nut	



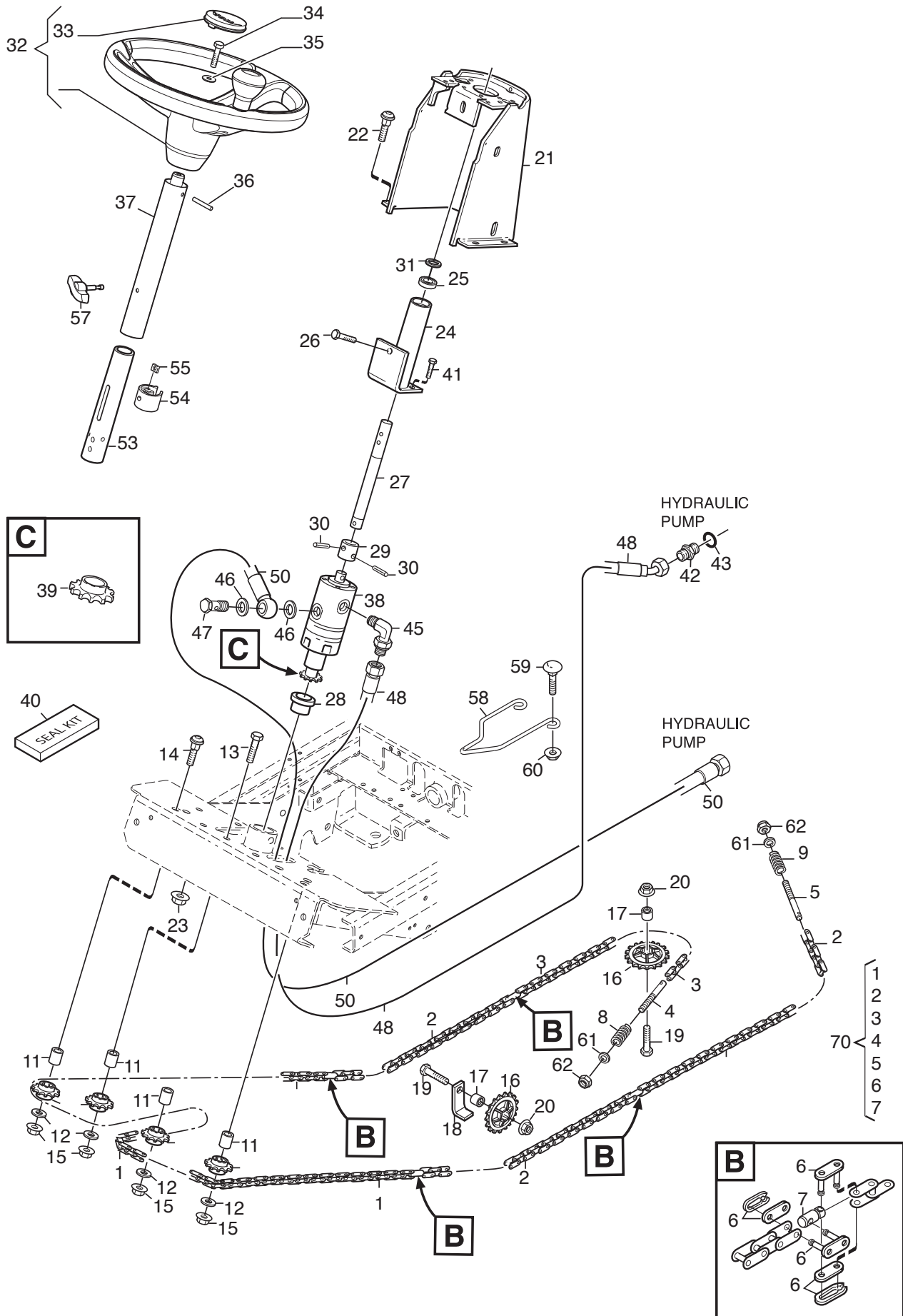
Utgåva Issue 10 - 2015		Pedallyft Pedal lift			
Pos. Fig.	Antal Quantity	Art nr Part No	Benämning	Description	Anmärkning Notes
1	1	1134-4117-01	Fäste	Bracket	
2	2	1134-2684-01	Lager	Bearing	
3	1	1134-4945-01	Lyftspärr kpl	Lift Catch Assy	
4	1	9404-0027-01	O-ring	O-ring	
5	1	9650-0039-04	Sparring Sga 8	Lock Ring	
6	1	9595-0276-01	Spiralspännstift 8*24	Locating Pin	
7	1	112689500/0	Skruv	Screw	
8	1	112154510/0	Mutter	Nut	
9	1	9897-0820-16	Skruv	Screw	
10	1	112155000/0	Mutter	Nut	
11	1	1137-0109-01	Lyftarm Kpl (Gra) 7-14	Lift Arm Assy	
12	2	1134-0240-00	Skruv	Screw	
13	1	1134-4938-01	Lyftpedal	Lift Pedal	
14	2	112791500/0	Skruv	Screw	
15	2	9739-0631-22	Mutter	Nut	
16	1	4231-0013-00	Fjäder	Spring	



Utgåva Issue 10 - 2015		Sits	Seat		
Pos. Fig.	Antal Quantity	Art nr Part No	Benämning	Description	Anmärkning Notes
2	1	137722602/0	Sits (Milsco 180)	Seat	
3	4	112583500/0	Lasbricka	Grower	
4	2	9897-0880-12	Skruv	Screw	L = 80 mm
5	4	9897-0820-16	Skruv	Screw	L = 20 mm
6	6	112155000/0	Mutter	Nut	
7	1	1137-0057-01	Sitskonsol Kpl	Seat Bracket Assy	
8	1	387773509/0	Övre Platta Kpl   Fäste	Upper Plate Assy   Bracket	
10	2	1134-0240-00	Skruv	Screw	
11	2	112155000/0	Mutter	Nut	
16	2	1137-0263-01	Axel	Shaft	
17	2	9997-0818-02	Skruv	Screw	
18	2	1134-4160-01	Fjäder	Spring	
19	1	137510304/0	TryckSprint	Push Pin	
20	1	137430101/0	Fjäder	Spring	
21	1	112523060/0	Bricka	Washer	
22	1	112155000/0	Mutter	Nut	
23	1	1134-6090-01	Glidplatta-Övre 5-01	Slide Plate-Upper	
24	2	1134-0240-00	Skruv	Screw	
25	1	387602511/0	Skydd	Protection	
26	1	1137-0038-01	Lock	Cover	
27	3	112728697/0	Skruv	Screw	
28	1	1134-3156-01	Brytare	Switch	
29	1	1134-3990-01	Armsvep Kpl 041-00	Attachment-Side Panel	
30	2	9897-0820-16	Skruv	Screw	
31	4	112154220/0	Mutter	Nut	
32	1	1134-4130-01	Undre Lock (1-00)	Cover Lower	
33	4	9840-8013-16	Skruv	Screw	
34	1	1134-4135-01	Relähallare 24	Relay Holder	
35	2	9632-0522-00	Popnit, 1661-0512 D4X9,5	Pop Rivet	
36	1	9699-0087-02	Bricka	Washer	
37	2	1134-1565-08	Distans	Spacer	
38	1	1134-3262-01	Fjäder	Spring	
39	1	1134-6073-01	Handtag Kpl 5-01	Handle Assy	
40	1	9893-0616-16	Skruv   Relä	Screw   Relay	
41	1	112154510/0	Mutter	Nut	
42	1	387773513/0	Fäste	Bracket	
43	4	1134-6078-01	Bricka	Flange Washer	
44	4	112793301/0	Skruv	Screw	
45	1	1137-0260-01	Länk Smst A	Link Assy A	
46	1	1137-0261-01	Länk Smst B	Link Assy B	
47	2	1137-0033-01	Kloss	Block	
48	2	1137-0033-02	Kloss	Block	
49	4	112728697/0	Skruv	Screw	
50	1	1137-0064-01	Dämpare	Rubber Cone	
51	4	112521320/0	Bricka	Washer	

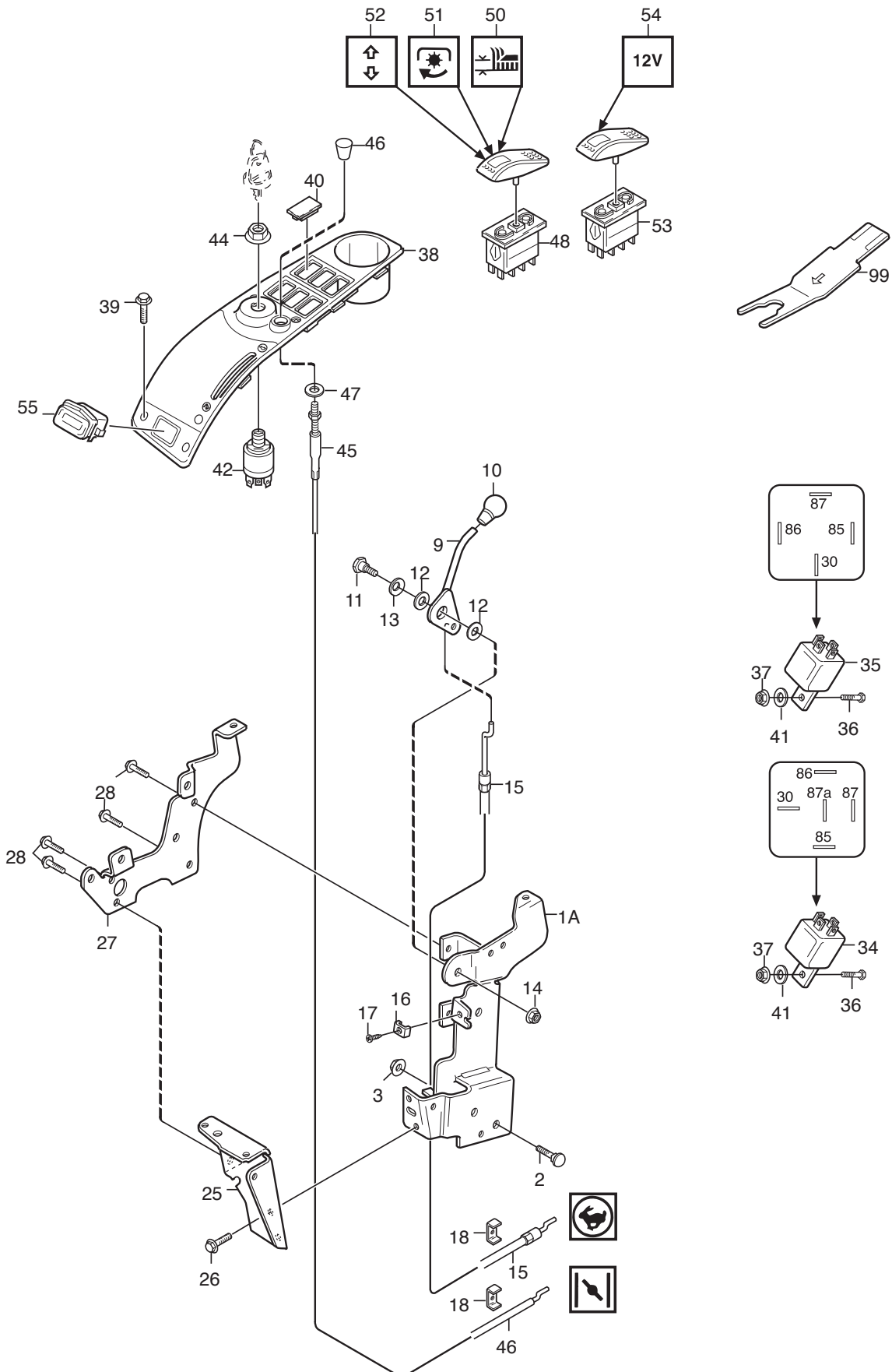


Utgåva Issue 10 - 2015		Styrning Steering			
Pos. Fig.	Antal Quantity	Art nr Part No	Benämning	Description	Anmärkning Notes
1	1	1134-6374-06	Kedja	Chain	83 links
2	3	1134-6374-02	Kedja	Chain	41 links
3	1	1134-6374-04	Kedja	Chain	45 links
4	1	1134-3550-01	Ändnippel (L110)	End Nipple	L = 110 mm
5	1	1134-3550-02	Ändnippel (L90)	End Nipple	L = 90 mm
6	10	1134-2824-01	Kedjelas	Chain Lock	
7	4	1134-3565-01	Skarvnippel	Connection Nipple	
8	1	1134-3817-01	Fjäder	Spring	L = 58 mm
9	1	1134-3817-02	Fjäder	Spring	L = 33 mm
10	4	1134-2816-01	Kedjehjul	Sprocket	
11	4	1134-0041-02	Bussning	Bushing	
12	4	112521360/0	Bricka	Washer	
13	2	112794900/0	Skruv	Screw	
14	2	9897-1040-12	Skruv	Screw	
15	4	9739-1031-22	Mutter	Nut	
16	3	1134-3547-01	Kedjehjul	Sprocket	
17	3	1134-0041-01	Bussning	Bushing	
18	2	1134-0046-00	Wireklämma	Wire Clamp	
19	3	112794300/0	Skruv	Screw	
20	3	9739-1031-22	Mutter	Nut	
21	1	1137-0066-01	Rattstang Skydd	Steering Column Cover	
22	4	9897-0820-16	Skruv	Screw	
23	4	112154220/0	Mutter	Nut	
24	1	1137-0044-01	Rattrör Nedre Kpl	Steering Column Assy	
25	1	9549-0017-00	Kullager	Ball Bearing	
26	1	9945-0816-16	Skruv	Screw	
27	1	1137-0045-01	Rattstang	Steering Rod	
28	1	1134-4114-01	Bussning	Bushing	
29	1	1134-4118-01	Koppling	Coupling	
30	2	9595-0256-01	Spännstift 6X28 Typ N Iso 8750	Locating Pin	
31	1	9695-0011-00	Bricka	Washer	
32	1	337961200/0	Ratt	Steering wheel	
33	1	337580550/0	Styrplåt Kpl	Steering Plate	
34	1	112793102/0	Skruv	Screw	
35	1	112583500/0	Lasbricka	Grower	
36	1	112620299/0	Spännstift	Elastic Pin	
37	1	387520107/0	Rattstang	Steering Column	
38	1	1137-0446-01	Momentförstärkare	Steering Booster	Incl. pos 39
39	1	1139-2074-01	Rep.Sats-Momentförstärkare	Seal Kit-Steering Booster	
40	1	1139-2106-01	Drev (F Momentförstärkare)	Pinion (Steering Booster)	
41	3	9939-0612-16	Skruv	Screw	
42	1	1134-4282-01	Hydraulnippel	Hydraulic Nipple	9/16" x 9/16"
43	1	9404-0028-01	O-Ring 11,89 X 1,98	O-ring	
45	1	1134-7073-01	Vinkeladapter	Hydraulic Coupling 90	
46	2	1134-4948-02	Bricka	Washer	
47	1	1134-6323-01	Banjoskruv 3/8"	Banjo Bolt 3/8	
48	1	1137-0196-01	Hydraulslang Rak-45° 3/8"	Hydraulic Hose	L = 1250
50	1	1137-0197-03	Hydraulslang Rak-Banjo 3/8"	Hydraulic Hose	L = 1640
53	1	1137-0070-01	Rattrör-Inre	Steering Tube-Inner Assy	Incl. pos. 54-55

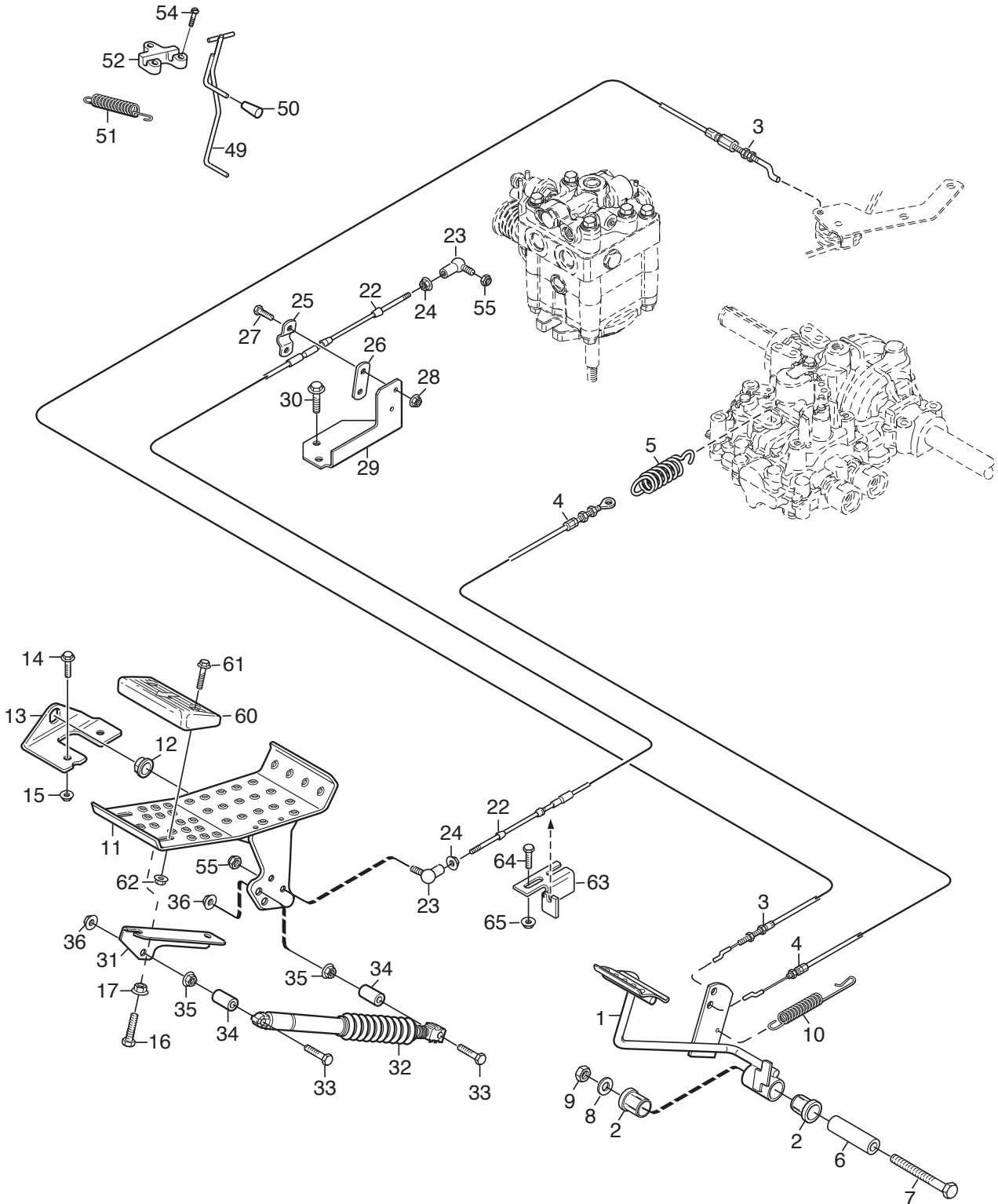




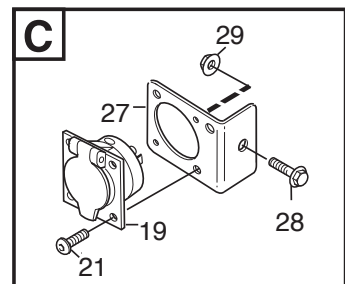
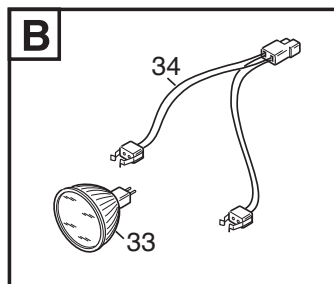
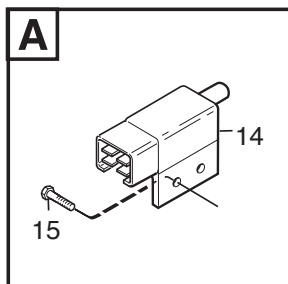
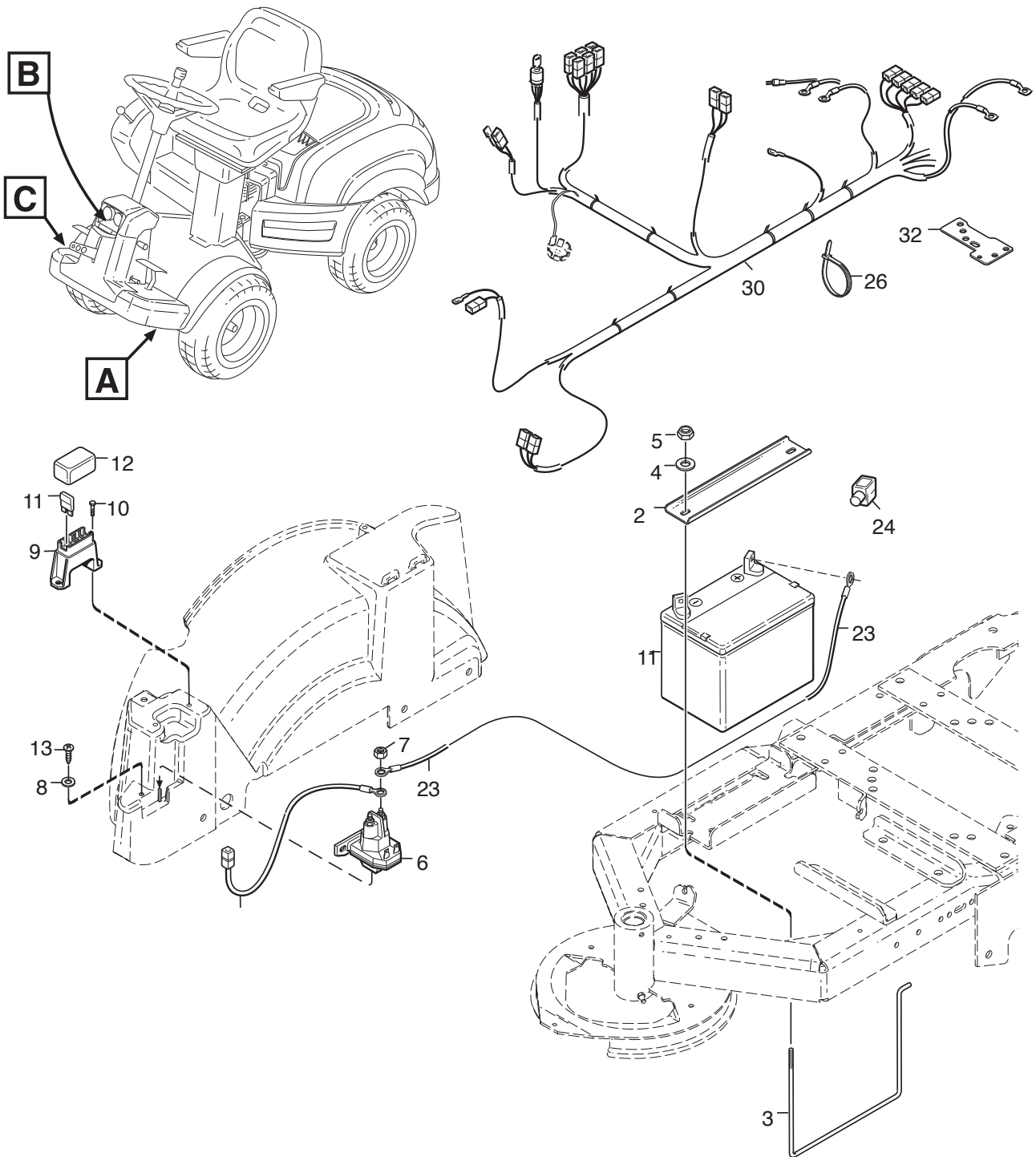
Utgåva Issue 10 - 2015		Styrning Steering			
Pos. Fig.	Antal Quantity	Art nr Part No	Benämning	Description	Anmärkning Notes
54	1	1134-5177-01	Slid	Slide	
55	1	9710-0631-12	Lasmutter	Nut	
57	1	337394201/0	Vingmutter	Wing Nut	
58	1	1137-0112-01	Bygel	Guide	
59	2	112815200/0	Skruv	Screw	
60	2	9739-0631-22	Mutter	Nut	
61	2	9699-0090-02	Bricka   Bricka	Washer   Washer	
62	2	112155000/0	Mutter	Nut	
70	1	1134-6379-02	Styrkedja Fz K/K, L/K Smst	Steering Chain Assy	Incl. pos 1 - 6



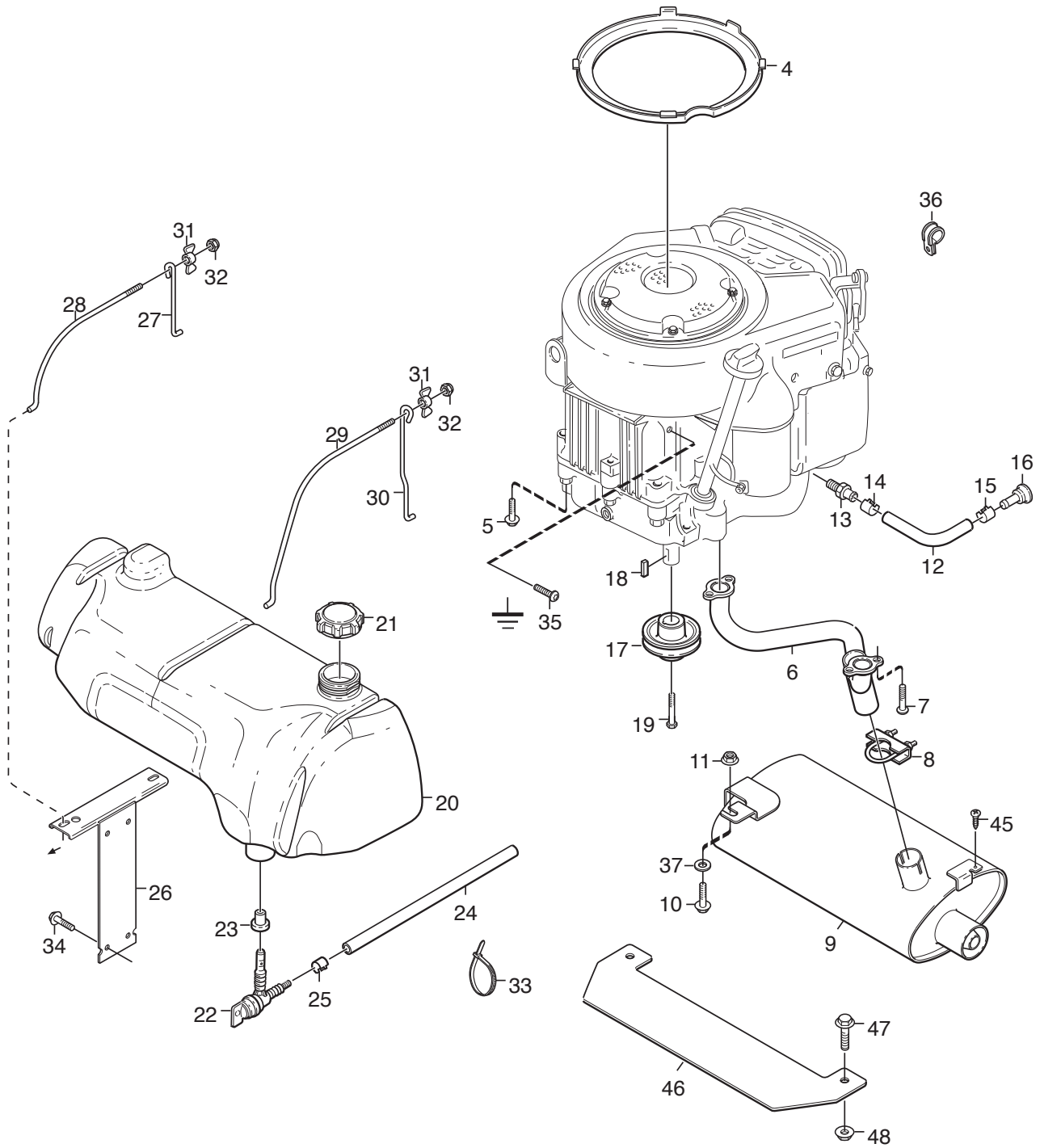
Utgåva Issue 10 - 2015		Handreglage Hand controls			
Pos. Fig.	Antal Quantity	Art nr Part No	Benämning	Description	Anmärkning Notes
1	1	1134-4156-01	Vinkelhallare Kpl 24	Panel Bracket-Inner	
2	2	9897-0820-16	Skruv	Screw	
3	2	112154220/0	Mutter	Nut	
9	1	1134-4077-02	Arm	Lever	
10	1	1134-4078-01	Knopp	Knob	
11	1	1134-0240-00	Skruv	Screw	
12	2	1134-4242-01	Distansbricka	Washer	
13	1	9665-0002-00	Bricka	Washer	
14	1	112155000/0	Mutter	Nut	
15	1	1137-0063-01	Gasreglage	Throttle Cable	
16	1	1137-0115-01	Wireklämma	Wire Clamp	
17	1	9943-0516-16	Skruv	Screw	
18	2	1137-0115-01	Wireklämma	Wire Clamp	
25	1	1134-6328-01	Frontfäste 5-01	Panel Bracket-Front	
26	2	9893-0616-16	Skruv   Relä	Screw   Relay	
27	1	1134-6327-01	Frontplat5-01	Front Plate	
28	4	9893-0616-16	Skruv   Relä	Screw   Relay	
34	1	1134-2871-03	Relä	Relay	
35	2	1134-2871-01	Relä   Relä	Relay	
36	3	112789000/0	Skruv	Screw	
37	3	112154330/0	Mutter	Nut	
38	1	1134-6096-07	Kassett	Dashboard	
39	4	9946-0525-16	Skruv	Screw	
40	2	1134-4129-01	Täckbricka	Cover	
41	4	112523020/0	Bricka	Washer	
42	1	1134-4093-01	Tändningslas	Ignition Switch	
44	1	1134-4749-01	Mutter	Nut	
46	1	1134-4338-01	Reglageknopp	Control Button-Choke	
45	1	1137-0062-01	Chokereglage	Choke Control	
47	2	9699-0090-02	Bricka   Bricka	Washer   Washer	
48	3	9400-0282-01	Brytare (Med Diod)	Switch	
50	1	9400-0280-03	Vippa Höjdinst	Switch Cover-Height Adjust	
51	1	9400-0280-01	Vippa Pto	Switch Cover-Pto	
52	1	9400-0280-04	Vippa rödskap Bak	Switch Cover-Rear Rake	
53	1	9400-0283-01	Brytare   Bunband	Switch   Cable holder	
54	1	9400-0280-05	Vippa rödskap 12V   Brytare	Switch Cover-12V   Switch	
55	1	9400-0384-01	Hour Counter	Hour Counter	
99	1	9400-0290-01	Verktyg F.Vippa	Tool	Tillbeh÷r/Accessory



Utgåva Issue 10 - 2015		Fotreglage		Foot controls	
Pos. Fig.	Antal Quantity	Art nr Part No	Benämning	Description	Anmärkning Notes
1	1	1134-5655-01	Kopplingspedal Kpl	Clutch Pedal	
2	1	1134-9024-01	Lager (4 St)	Bearing	Sats 4 st/kit of 4
3	1	1134-5815-02	Wire	Cable	
4	1	1134-6020-01	Motorbromswire	Cable, Thread Engine Brake	
5	1	1134-5989-01	Fjäder	Spring	
6	1	1134-5677-02	Distans	Spacer	
7	1	9997-1070-12	Skruv	Screw	
8	1	9699-0030-02	Bricka	Washer	
9	1	9739-1031-22	Mutter	Nut	
10	1	4231-0013-00	Fjäder	Spring	
11	1	1134-6353-01	Drivpedal	Drive Pedal	
12	2	1134-6313-01	Lager	Bearing	
13	2	1134-2700-01	Fäste	Bracket	
14	2	9959-0820-16	Skruv	Screw	
15	2	112154220/0	Mutter	Nut	
16	1	9997-0835-16	Skruv	Screw	
17	1	112154220/0	Mutter	Nut	
22	1	1134-2766-08	Reglagevajer	Control Cable	
23	2	9570-0001-00	Vinkellänk As8 Din 71802M5	Elbow Link	
24	2	9739-0531-22	Mutter	Nut	
25	1	1134-0266-00	Fästbygel	Attaching Clamp	
26	1	1134-0267-00	Underläggsbleck	Clamp Plate	
27	2	112789008/0	Skruv	Screw	
28	2	9739-0531-22	Mutter	Nut	
29	1	1134-5689-01	Wirekonsol 5-01	Cable Bracket	
30	2	9945-0816-16	Skruv	Screw	
31	1	1134-3996-01	Fäste	Bracket	
32	1	1134-4187-01	Dämpare	Damper	
33	2	112691115/0	Skruv	Screw	
34	2	1134-1565-09	Distans	Spacer	
35	2	112154220/0	Mutter	Nut	
36	2	112155000/0	Mutter	Nut	
49	1	1134-5353-01	Bromsstang	Brake Rod	
50	1	1134-2786-01	Knopp	Knob	
51	1	1131-1497-01	Fjäder	Brake Spring	
52	1	1134-4002-01	Fäste	Brake Rod Attachment	
54	3	112728697/0	Skruv	Screw	
55	2	112154330/0	Mutter	Nut	
60	2	1134-6340-02	Fotstöd (5-01)	Foot Rest	
61	4	9959-0620-16	Skruv	Screw	
62	4	9739-0631-22	Mutter	Nut	
63	1	1134-6317-01	Wirefäste	Wire Bracket	
64	2	9959-0620-16	Skruv	Screw	
65	2	9739-0631-22	Mutter	Nut	

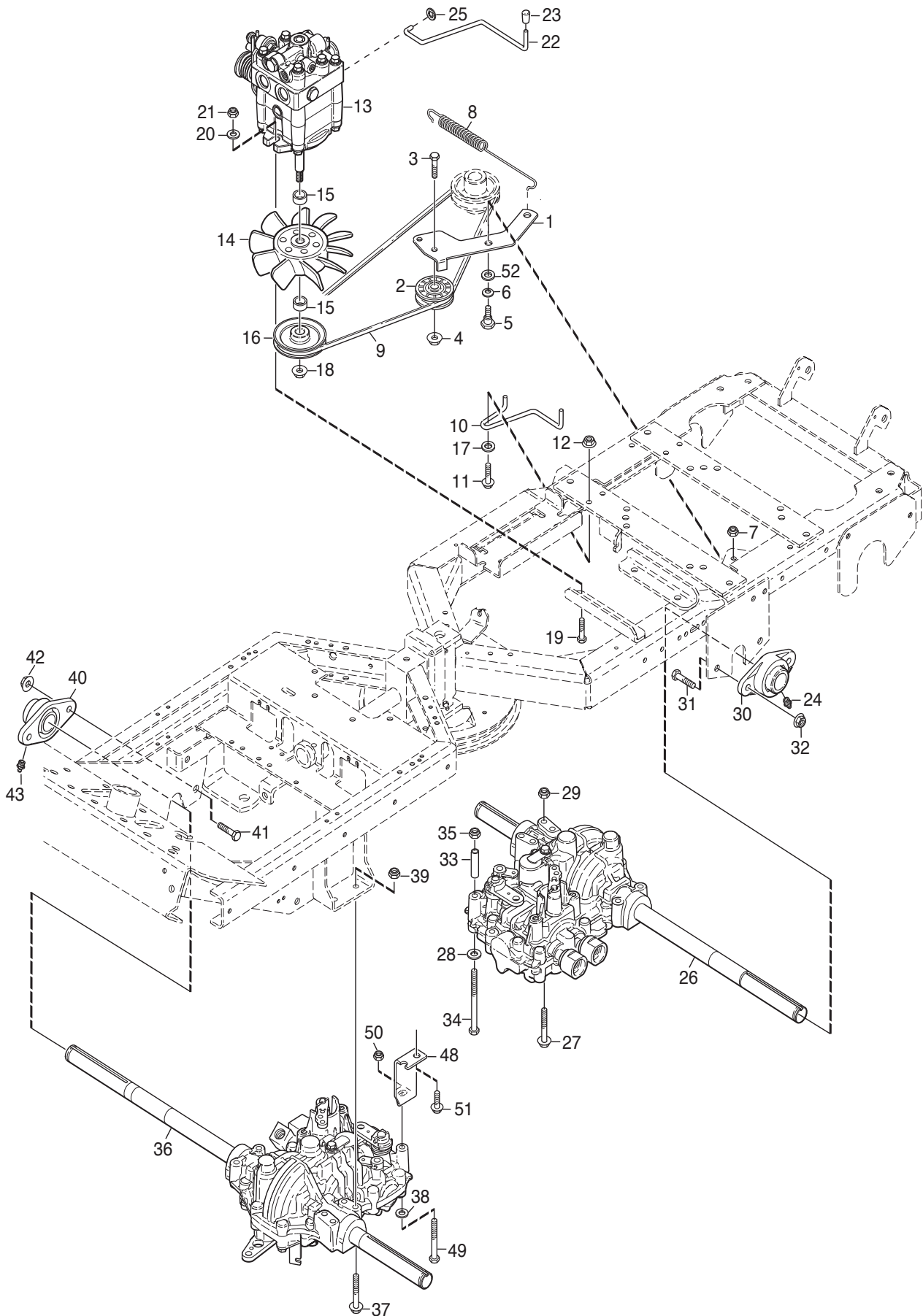


Utgåva Issue 10 - 2015		Elsystem Electric system			
Pos. Fig.	Antal Quantity	Art nr Part No	Benämning	Description	Anmärkning Notes
1	1	1134-5751-01	Batteri	Battery	12V - 24Ah
2	1	1134-5643-01	Batteriplatta	Battery Plate	
3	1	1134-5642-01	Batteribyggel	Battery Loop	
4	1	9699-0060-02	Bricka	Washer	
5	1	112154510/0	Mutter	Nut	
6	1	1134-3901-01	Solenoid	Solenoid	Incl. pos 7
6	2	9743-5121-32	Mutter	Nut	
8	1	9699-0060-02	Bricka	Washer	
9	1	1134-3491-01	Säkringshallare	Fuse Holder	
10	2	112728697/0	Skruv	Screw	
11	1	1134-3496-01	Säkring   Säkring 10A Röd	Fuse   Fuse (10A)	10A
11	1	1134-3496-06	Vippa   Säkring   Säkring 20 Amp Gul	Cover-12V   Fuse   Fuse (20A)	20A
11	1	1134-3496-07	Säkring (30A Grön)	Fuse (30A)	30A
12	1	1134-3631-01	Lock (5-01)	Cover-Fuse Holder	
13	1	112728697/0	Skruv	Screw	
14	1	1134-3399-01	Brytare	Switch	
15	2	9943-0516-16	Skruv	Screw	
19	1	1134-7535-01	Honkontakt	Female Connector	
21	2	112735105/0	Skruv	Screw	
22	1	1134-4970-01	Kabel	Cable	
23	1	1134-0234-02	Batterikabel (+)	Battery Cable (+)	
24	1	1134-2310-01	Batteriskydd	Guard Cap (+)	
26	8	9579-0003-00	Bunband   Kablage   Buntband	Cable   Cable harness   Cable Holder	
26	2	133320027/0	Bunband	Cable	L=390
27	1	1137-0075-01	Fäste	Attachment 2010	
28	1	9959-0820-16	Skruv	Screw	
29	1	112154220/0	Mutter	Nut	
30	1	187040312/0	Kabelhärva	Wiring harness	
32	1	1134-6454-01	Jordplat	Ground Plate	
33	2	9400-0358-01	Led-Lampa	Led-Lamp	
34	1	1134-7505-01	Kabelhärva	Wiring harness	

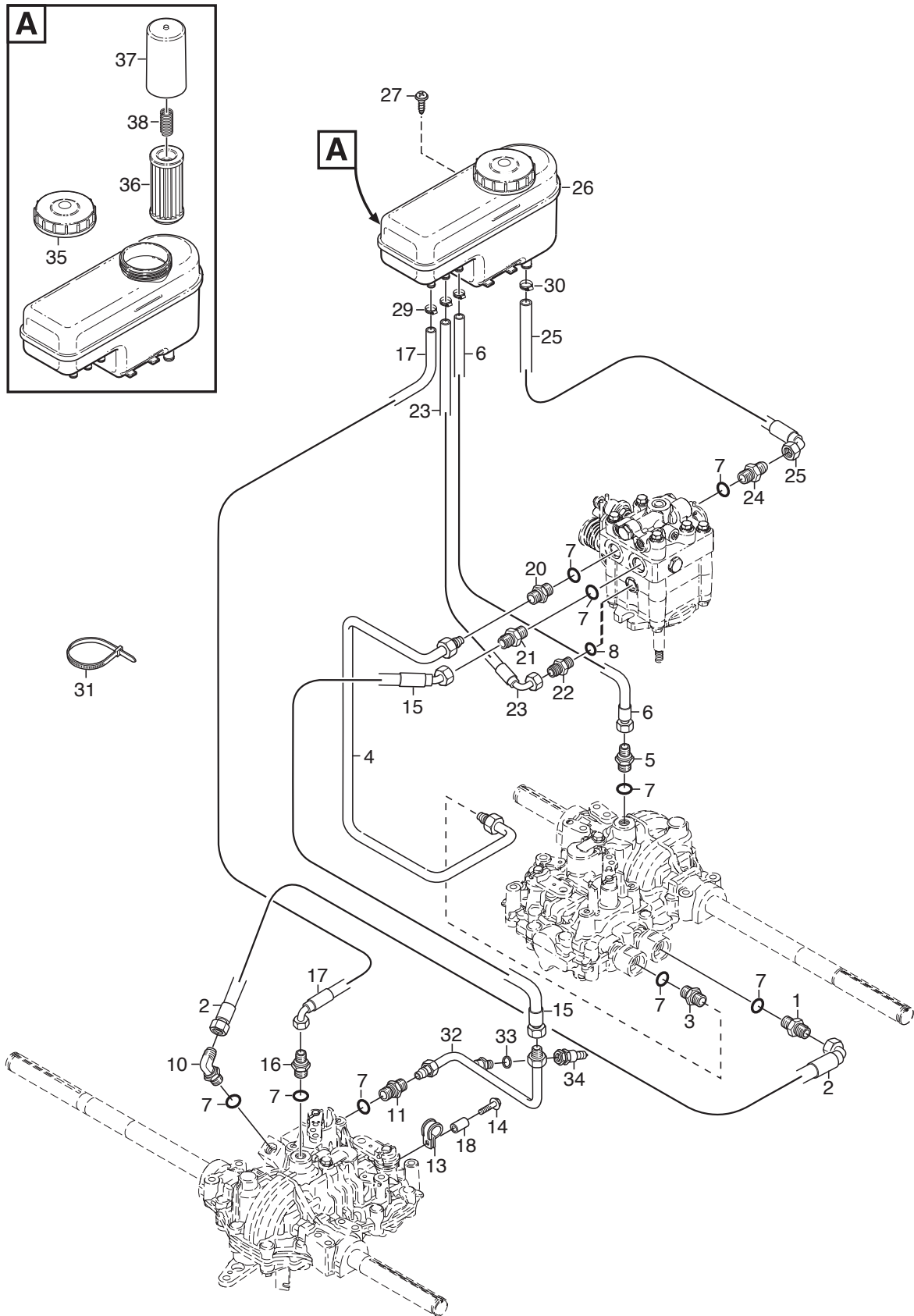




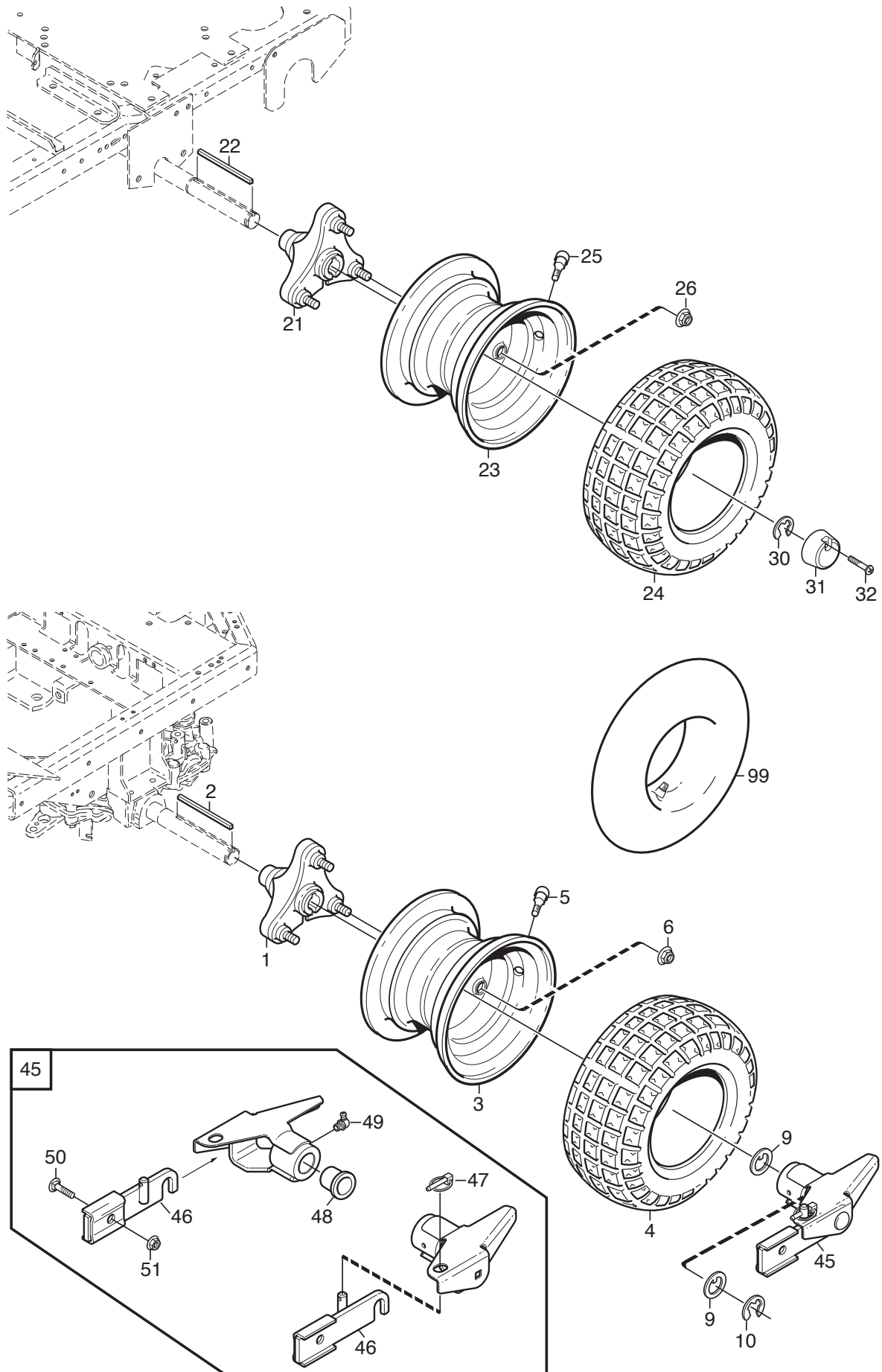
Utgåva Issue 10 - 2015		Motor	Engine		
Pos. Fig.	Antal Quantity	Art nr Part No	Benämning	Description	Anmärkning Notes
4	1	1134-6116-01	Luftkanal	Air Duct	Ø = 215, H = 6 mm
5	4	112735108/1	Skruv	Screw	
6	1	1134-5733-01	Grenrör Kpl (VanSkydd 20)	Exhaust Pipe Assy	
7	4	112760515/0	Skruv	Screw	
8	1	9578-0011-01	Rörklämma 38	Tube Clamp	
9	1	1137-0073-01	Ljuddämpare Kpl	Muffler Assy	
10	1	9959-0820-16	Skruv	Screw	
11	1	112154220/0	Mutter	Nut	
12	1	1134-5827-01	Oljeavtappning Kpl	Oil Drain Assy	L = 140 mm, Incl. pos. 13-14-15-16
13	1	1134-5825-01	Nippel	Nipple	
14	1	9578-0023-04	Slangklämma 15*8 (Vit)	Hose Clamp	
15	1	1134-3499-02	Slangklämma	Hose Clamp	
16	1	1134-5826-01	Plugg	Plug	
17	1	1137-0207-01	Motorremskiva	Engine Belt Pulley	
18	1	9600-0251-00	Kil	Key	
19	1	112737315/0	Skruv	Screw	L = 64 mm
20	1	1134-5644-01	Bränsletank	Fuel Tank	14 Liter
21	1	1134-5532-01	Tanklock	Fuel Tank Cap	
22	1	1134-3224-01	Bensinkran	Fuel Shut-Off Valve	
23	1	1134-3225-01	Gummibussning	Grommet	
24	1	1136-2975-08			Cutting length 0,5 mt
25	2	9578-0023-02	Slangklämma D12*8 (Svart)	Hose Clamp	
26	1	1134-5615-01	Tankfäste	Fuel Tank Bracket	
27	1	1134-5621-01	Tankbygel	Tank Loop	
28	1	1134-5622-01	Tankbygel	Tank Loop	
29	1	1134-5623-01	Tankbygel	Tank Loop	
30	1	1134-5765-01	Tankbygel	Tank Loop	
31	2	1134-4481-02	Vingmutter	Wing Nut	
32	2	112154510/0	Mutter	Nut	
33	1	133320027/0	Bunband	Cable	
34	2	9945-0816-16	Skruv	Screw	
35	1	112760515/0	Skruv	Screw	
36	1	1134-0994-02	Rörklammer	Tube Clamp	
37	1	112523060/0	Bricka	Washer	
45	1	9893-0616-16	Skruv   Relä	Screw   Relay	
46	1	1137-0072-01	Deflektor	Deflector	
47	2	9959-0820-16	Skruv	Screw	
48	2	112154220/0	Mutter	Nut	



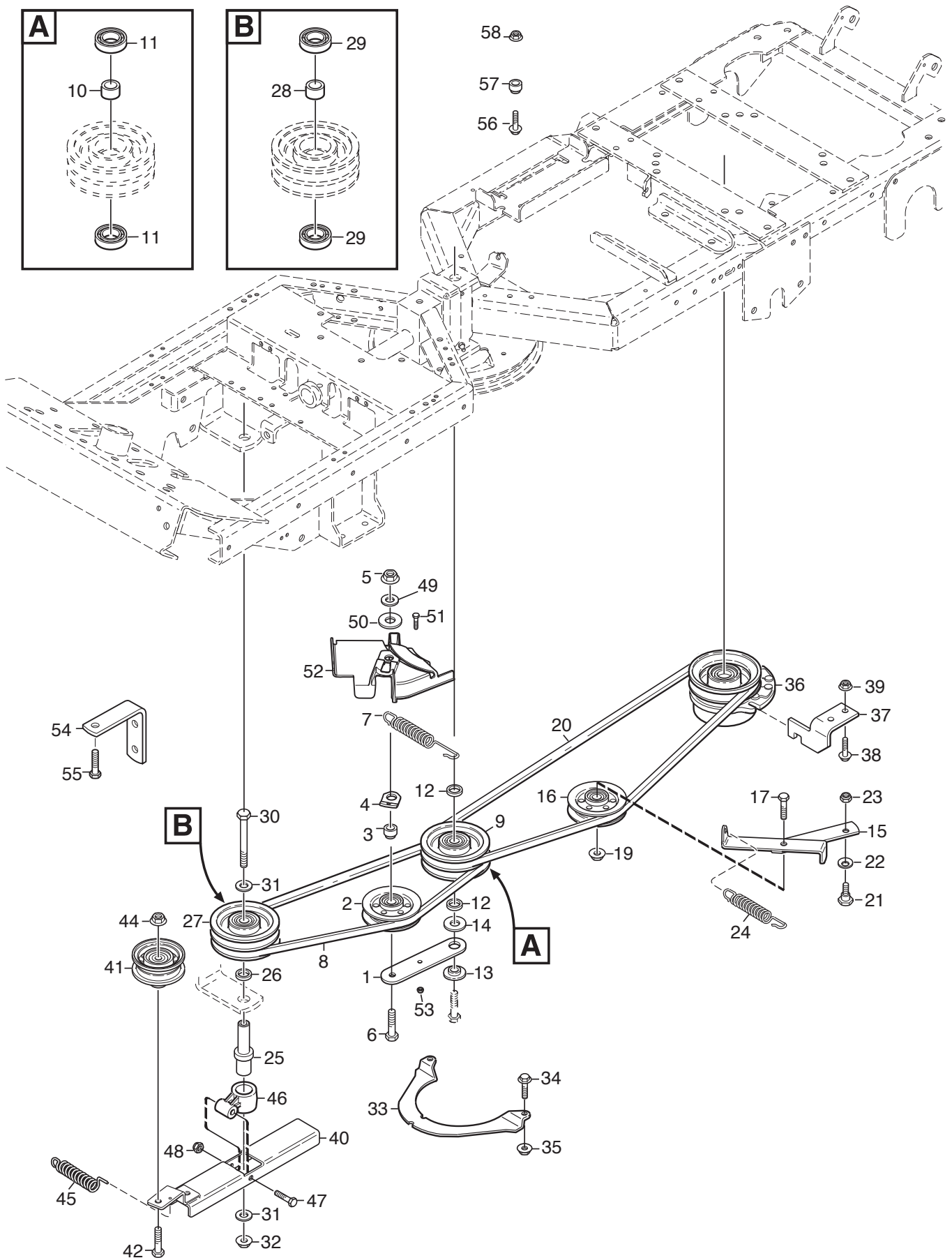
Utgåva Issue 10 - 2015		Transmission			
Pos. Fig.	Antal Quantity	Art nr Part No	Benämning	Description	Anmärkning Notes
1	1	1134-5739-01	Spännarm Kpl 5-01	Tension Arm Assy	
2	1	1134-3459-01	Spännrulle	Tension Roller	
3	1	112794300/0	Skruv	Screw	
4	1	9739-1031-22	Mutter	Nut	
5	1	1134-0240-00	Skruv	Screw	
6	1	9665-0002-00	Bricka	Washer	
7	1	112155000/0	Mutter	Nut	
8	1	1134-5713-02	Fjäder	Spring	
9	1	1134-9058-01	Kilrem	V-Belt	Contain Belt 9585-0091-01
10	1	1134-5764-01	Remstyrning	Belt Guide	
11	1	9959-0825-16	Skruv	Screw	
12	1	112154220/0	Mutter	Nut	
13	1	1134-5700-01	Hydraulpump	Hydraulic Pump	Kanzaki KPL 10ALP
14	1	1134-4190-01	Fläkt	Fan	
15	2	1134-5862-01	Distans	Spacer	
16	1	1134-5821-01	Remskiva	Belt Pulley	
17	1	112523060/0	Bricka	Washer	
18	1	9731-1031-22	Mutter	Nut	
19	2	9997-1040-16	Skruv	Screw	
20	2	9699-0030-02	Bricka	Washer	
21	2	9731-1031-22	Mutter	Nut	
22	1	1134-5763-01	Dragstang	Pull Rod	
23	1	1134-4014-01	Plastknopp	Knob	
25	2	112604896/0	Starlock P6493 6	Crown Fastener	
26	1	1134-5701-01	Motoraxel-Bakre (Ktm10G)	Rear Motor Unit (Ktm10G)	Kanzaki KTM 10G
27	2	9960-0860-12	Skruv	Screw	
28	1	9699-0090-02	Bricka   Bricka	Washer   Washer	
29	2	112155000/0	Mutter	Nut	
30	1	1134-5703-01	Flänslagerenhet	Flange Bearing Unit	Incl. pos. 24
24	1	112379511/0	Smörjnippel	Grease Dispenser	
31	2	9997-1040-16	Skruv	Screw	
32	2	9731-1031-22	Mutter	Nut	
33	1	1134-1565-15	Distans	Spacer	
34	1	9997-0812-02	Skruv	Screw	
35	1	112155000/0	Mutter	Nut	
36	1	1134-5702-01	Motoraxel-Främre (Ktm10F)	Front Motor Unit (Ktm10F)	Kanzaki KTM 10F
37	2	9960-0860-12	Skruv	Screw	
38	1	9699-0090-02	Bricka   Bricka	Washer   Washer	
39	2	112155000/0	Mutter	Nut	
40	1	1134-5703-01	Flänslagerenhet	Flange Bearing Unit	
43	1	112379511/0	Smörjnippel	Grease Dispenser	Incl. pos. 43
41	2	9997-1040-16	Skruv	Screw	
42	2	9731-1031-22	Mutter	Nut	
48	1	1134-5670-01	Reaktionsstag 5-01	Strut	
49	1	9997-0880-16	Skruv	Screw	
50	1	112155000/0	Mutter	Nut	
51	2	9945-0816-16	Skruv	Screw	
52	1	1134-4242-01	Distansbricka	Washer	



Utgåva Issue 10 - 2015		Transmission		Transmission	
Pos. Fig.	Antal Quantity	Art nr Part No	Benämning	Description	Anmärkning Notes
1	1	1134-5810-01	Adapter	Hydraulic Coupling	3/4" x 3/4"
2	1	1137-0219-01	Hydraulslang	Hydraulic Hose	
3	1	1134-5808-01	Skärringskoppling	Hydraulic Coupling	3/4"
4	1	1134-5814-01	Hydraulrör	Hydraulic Tube	
5	1	1134-5809-01	Adapter	Hydraulic Coupling	3/4" x 9/16"
6	1	1134-5759-01	Hydraulslang	Hydraulic Tube	
7	9	9404-0029-01	O-Ring (16,36 X 2,21)	O-ring	
8	1	9404-0028-01	O-Ring 11,89 X 1,98	O-ring	
10	1	1134-5807-01	Vinkeladapter	Hydraulic Angle Coupling	3/4" x 3/4"
11	1	1134-5875-01	Skärringskoppling	Hydraulic Coupling	3/4"
13	1	9578-0028-01	Rörklammer	Tube Clamp	
14	1	9959-0825-16	Skruv	Screw	
15	1	1137-0223-01	Hydraulslang	Hydraulic Hose	
16	1	1134-5809-01	Adapter	Hydraulic Coupling	3/4" x 9/16"
17	1	1137-0215-01	Hydraulslang	Hydraulic Hose	
18	1	1134-1565-09	Distans	Spacer	
20	1	1134-5808-01	Skärringskoppling	Hydraulic Coupling	3/4"
21	1	1134-5810-01	Adapter	Hydraulic Coupling	3/4" x 3/4"
22	1	1134-4282-01	Hydraulnippel	Hydraulic Nipple	9/16" x 9/16"
23	1	1137-0215-02	Hydraulslang	Hydraulic Hose	
24	1	1134-5810-01	Adapter	Hydraulic Coupling	3/4" x 3/4"
25	1	1137-0220-01	Hydraulslang	Hydraulic Hose	
26	1	1134-5819-02	Hydraultank Kpl (M. Filter)	Hydraulic Oil Tank (W. Filter)	Incl. pos.35-36-37-38
27	1	112728697/0	Skruv	Screw	
29	3	9578-0023-04	Slangklämma 15*8 (Vit)	Hose Clamp	
30	1	9578-0023-05	Slangklämma 18,0/8	Hose Clamp	
31	1	133320027/0	Bunband	Cable	
32	1	1134-6039-01	Hydraulrör Smst	Hydraulic Pipe Assy	
33	1	1134-4948-01	Bricka	Washer	
34	1	1134-6042-01	Snabbkoppling-Hane 1/4"	Quick Coupling-Male	
35	1	1137-0272-01	Tanklock	Tank Cap	
36	1	1134-5962-02	Oljefilter	Oil Filter	
37	1	1134-5963-01	Hölje-Oljefilter	Cover-Oil Filter	
38	1	1134-5964-01	Fjäder	Spring	

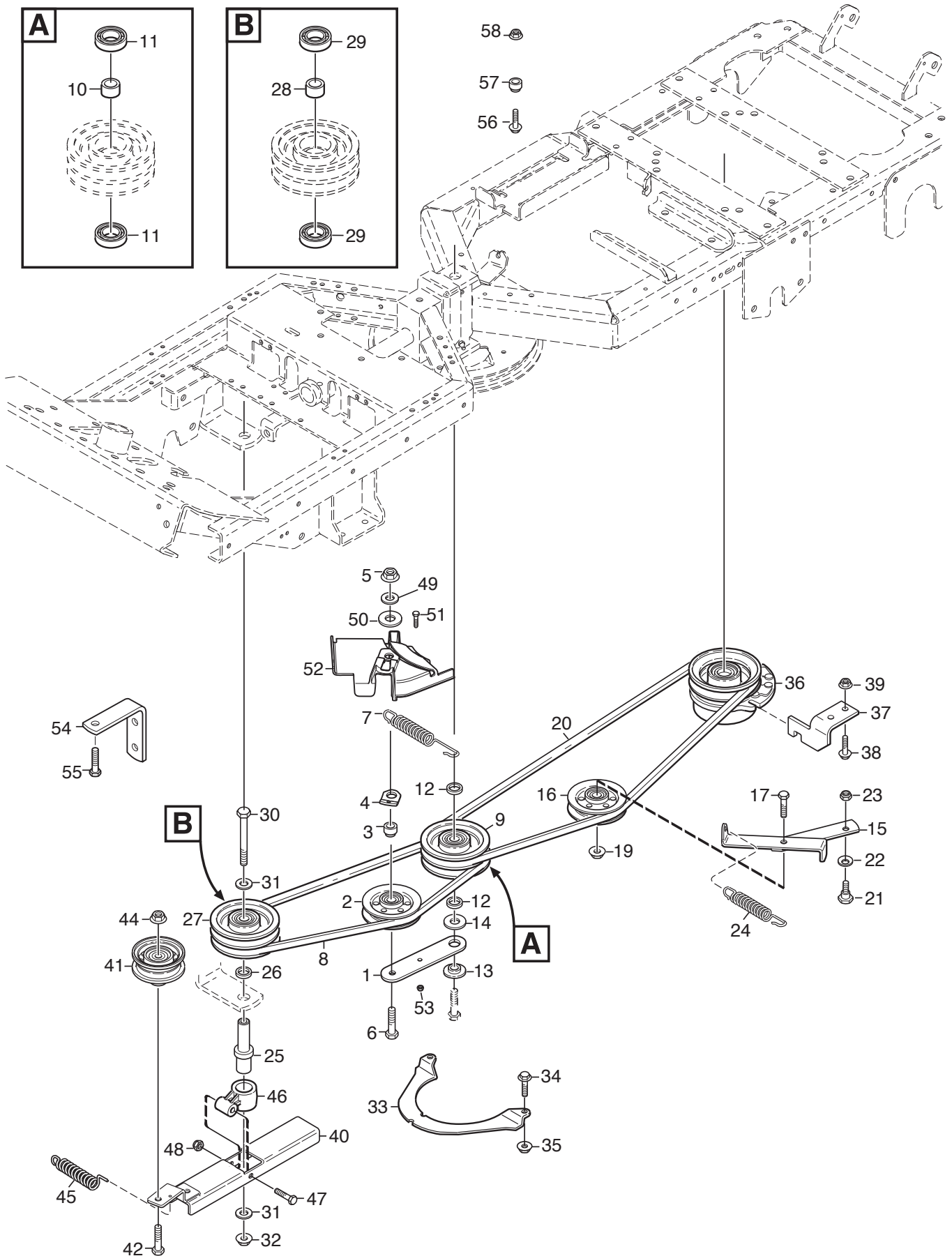


Utgåva Issue 10 - 2015		Hjul Wheels			
Pos. Fig.	Antal Quantity	Art nr Part No	Benämning	Description	Anmärkning Notes
1	2	1134-4844-03	Hjulnav Kpl	Wheel Hub Assy	
2	2	1134-3383-02	Kil	Key	
3	2	187000454/0	Fälg	Rim	
4	2	9545-0124-01	Däck	Tyre	17 x 8.00 - 8
5	2	9545-0500-00	Ventil	Valve Assy.	
6	6	9731-1031-22	Mutter	Nut	
9	4	1134-5797-01	Bricka	Washer	
10	2	9653-0002-04	Sparyttare	Lock Ring	
21	2	1134-4844-03	Hjulnav Kpl	Wheel Hub Assy	
22	2	1134-3383-02	Kil	Key	
23	2	187000454/0	Fälg	Rim	
24	2	9545-0124-01	Däck	Tyre	17 x 8.00 - 8
25	2	9545-0500-00	Ventil	Valve Assy.	
26	6	9731-1031-22	Mutter	Nut	
30	2	9653-0002-04	Sparyttare	Lock Ring	
31	2	1134-4796-01	Navkapsel	Hub Cap	
32	2	9947-0540-19	Skruv	Screw	
45	1	13-0993-61	Rac Snabbfäste 4Wd Park	Rac Quick Connection 4Wd	Incl. pos 9,10,46-51
46	1	1134-7465-01	Sats-Fästen (Vä+Hö Inkl Skruv)	Attachment Kit	Incl. pos 50-51
47	2	1137-0077-01	Lassprint	Locking Pin	
48	4	1134-5686-01	Bussning	Bearing	
49	2	9501-0502-00	Smörjnippel	Grease Joint	
50	2	9898-1035-16	Skruv	Screw	
51	2	9739-1031-22	Mutter	Nut	
99	1	9545-0203-00	Innerslang	Inner Tube	Reservdel/spare part

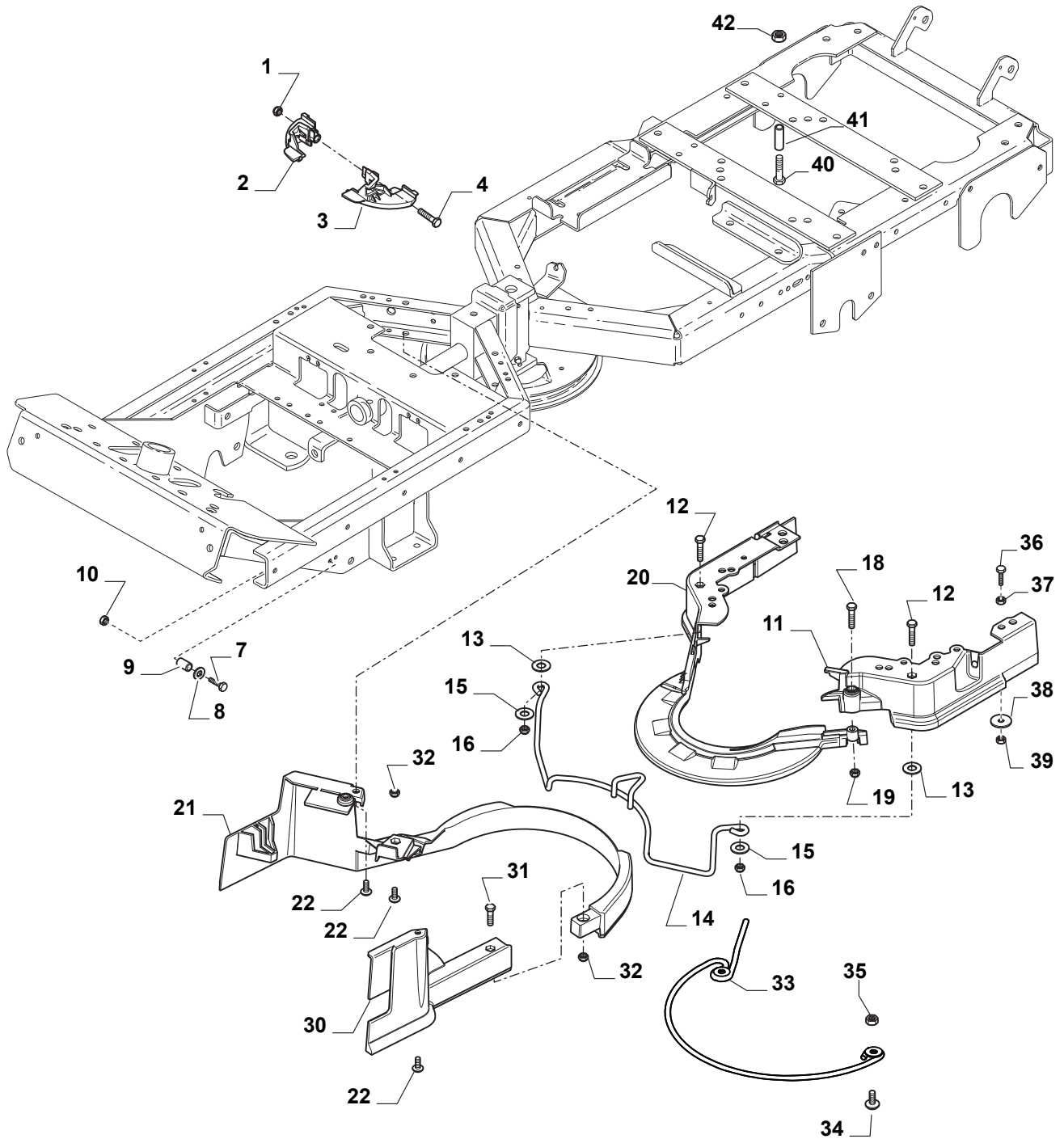




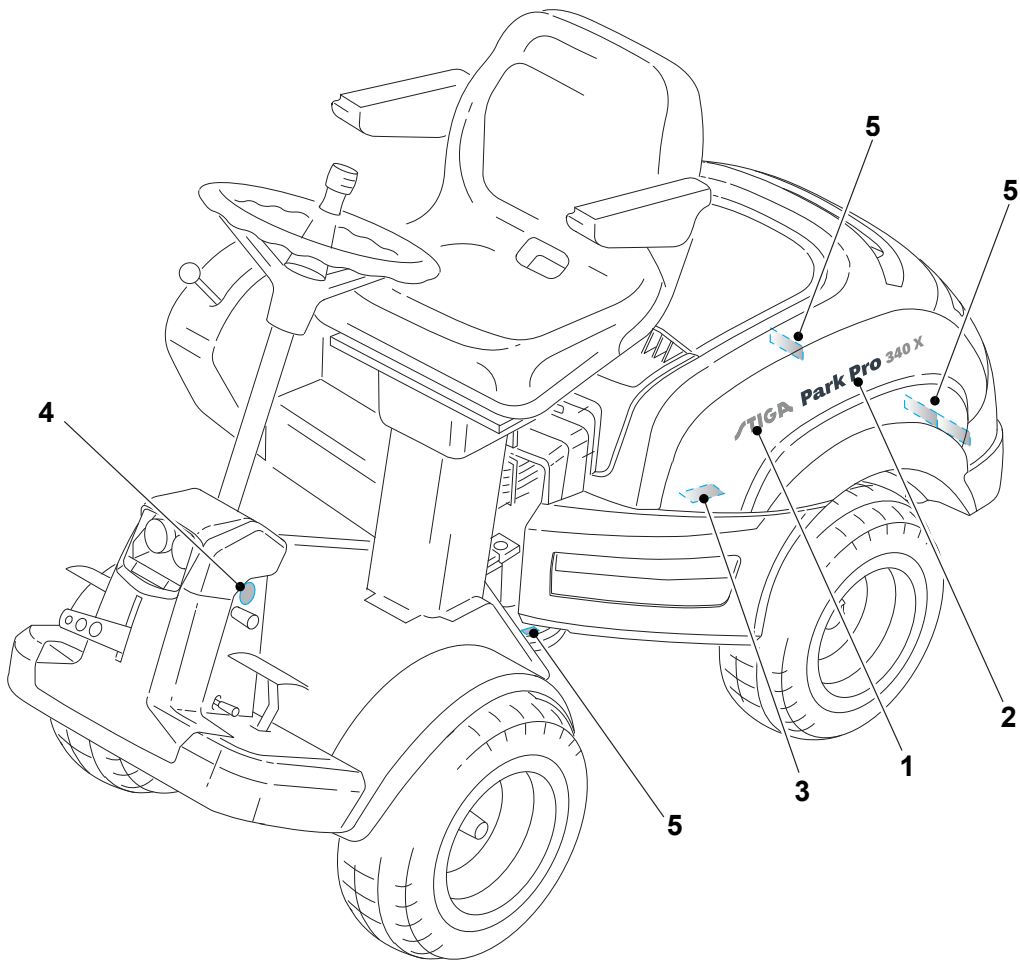
Utgåva Issue 10 - 2015		PTO			
Pos. Fig.	Antal Quantity	Art nr Part No	Benämning	Description	Anmärkning Notes
1	1	1134-1730-02	Spännhjulssarm	Tensioning Wheel Arm	
2	1	1134-3663-01	Remskiva	Tension Wheel	
3	1	1134-1888-06	Distans	Spacer	
4	1	337546545/0	Fjäder	Spring	
5	1	9739-1031-22	Mutter	Nut	
6	1	9997-1070-12	Skruv	Screw	
7	1	1134-5713-04	Fjäder	Spring	
8	1	1134-9098-01	Drivrem	Drive Belt	Contain belt 9585-0148-01
9	1	1137-0209-01	Centrumremskiva Smst	Centre Belt Pulley	Incl. pos 10-11
10	1	1134-0051-09	Distans	Spacer	
11	2	9549-0019-00	Kullager	Ball Bearing	
12	2	1134-0052-00	Distans	Spacer	
13	1	1134-0222-00	Bricka	Washer	
14	1	9699-0109-02	Bricka	Washer	
15	1	1134-5742-01	Spännarm	Tension Arm	
16	1	1134-3663-01	Remskiva	Tension Wheel	
17	1	9997-1040-16	Skruv	Screw	
19	1	9739-1031-22	Mutter	Nut	
20	1	1134-9097-01	Drivrem	Drive Belt	Contain belt 9585-0147-01
21	1	1134-0240-00	Skruv	Screw	
22	1	9665-0002-00	Bricka	Washer	
23	1	112155000/0	Mutter	Nut	
24	1	1134-5713-03	Fjäder	Spring	
25	1	1134-5663-01	Axel	Shaft	
26	1	1134-0052-00	Distans	Spacer	
27	1	1137-0209-01	Centrumremskiva Smst	Centre Belt Pulley	Incl. pos 28-29
28	1	1134-0051-09	Distans	Spacer	
29	2	9549-0019-00	Kullager	Ball Bearing	
30	1	9997-1011-06	Skruv	Screw	
31	2	9699-0030-02	Bricka	Washer	
32	1	9739-1031-22	Mutter	Nut	
33	1	1134-3654-01	Fingerskydd 5-01 24	Guard	
34	2	9959-0612-16	Skruv	Screw	
35	2	9739-0631-22	Mutter	Nut	
36	1	1134-5674-01	Magnetkoppling	Magnet Clutch	21 and 25 hp
36	1	1134-7430-01	Magnetkoppling	Magnet Clutch	18 hp
37	1	1134-5664-01	Momentstag 5-01	Torque Plate	18 hp
37	1	1134-6452-01	Reaktionsstag (5-01)	Strut	21 and 25 hp
38	2	9959-0820-16	Skruv	Screw	
39	2	112154220/0	Mutter	Nut	
40	1	1134-5660-01	Spännarm Kpl 5-01	Tension Arm Assy	
41	1	1134-5823-01	Spännrulle Kpl	Tension Roller Assy	
42	1	112794900/0	Skruv	Screw	
44	1	9739-1031-22	Mutter	Nut	
45	1	1134-5824-01	Fjäder	Spring	
46	1	1134-6314-01	Spännarmsfäste	Tension Arm Attachment	
47	1	112689515/0	Skruv	Screw	



Utgåva Issue 10 - 2015		PTO			
Pos. Fig.	Antal Quantity	Art nr Part No	Benämning	Description	Anmärkning Notes
48	1	112154510/0	Mutter	Nut	
49	1	9699-0035-02	Bricka	Washer	
50	1	137038000/0	Bussning	Bush	
51	1	112792410/0	Skruv	Screw	
52	1	337600001/2	Skydd	Protection	
53	1	112154510/0	Mutter	Nut	
54	1	1134-5112-01	Fjäder	Spring	
55	2	9945-0816-16	Skruv	Screw	
56	1	112691400/0	Skruv	Screw	
57	1	125160003/1	Distans	Spacer	
58	1	112155000/0	Mutter	Nut	



Utgåva Issue 10 - 2015		Remskydd Protection, Belt			
Pos. Fig.	Antal Quantity	Art nr Part No	Benämning	Description	Anmärkning Notes
1	1	112154510/0	Mutter	Nut	
2	1	337600010/0	Skydd	Protection	
3	1	337600011/0	Skydd	Protection	
4	1	112792099/0	Skruv	Screw	
7	2	112735669/0	Skruv	Screw	
8	2	112523050/0	Bricka	Washer	
9	2	1134-1565-14	Distans	Spacer	
10	2	112154510/0	Mutter	Nut	
11	1	337060006/0	Remskydd	Belt Cover	
12	2	112792099/0	Skruv	Screw	
13	2	112524010/0	Bricka	Washer	
14	1	337785100/0	Fäste	Support	
15	2	112523050/0	Bricka	Washer	
16	2	112154510/0	Mutter	Nut	
18	1	112791500/0	Skruv	Screw	
19	1	112154510/0	Mutter	Nut	
20	1	337060005/0	Remskydd	Belt Cover	
21	1	337060002/0	Remskydd	Belt Cover	
22	3	9893-0616-16	Skruv   Relä	Screw   Relay	
30	1	337060004/0	Remskydd	Belt Cover	
31	1	112791500/0	Skruv	Screw	
32	2	112154510/0	Mutter	Nut	
33	1	137294101/0	Remstyrning	Belt Guide	
34	2	112727796/0	Skruv	Screw	
35	2	112154330/0	Mutter	Nut	
36	1	112792099/0	Skruv	Screw	
37	1	112292102/0	Mutter	Nut	
38	1	112523050/0	Bricka	Washer	
39	1	112154510/0	Mutter	Nut	
40	2	112691800/0	Skruv	Screw	
41	2	125160027/0	Distans	Spacer	
42	2	112155015/0	Mutter	Nut	

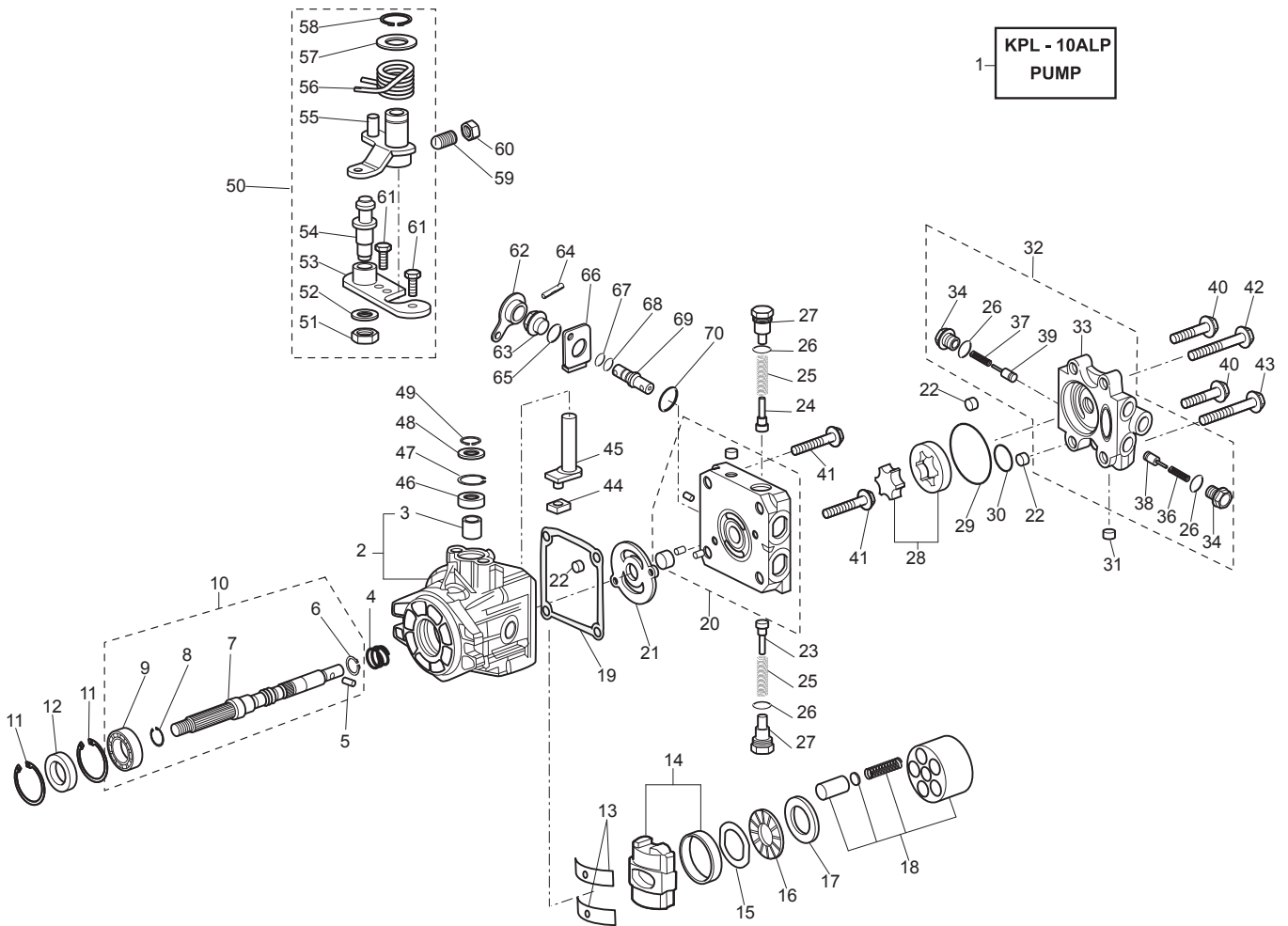


**STIGA** 1

**Park Pro 340 X** 2

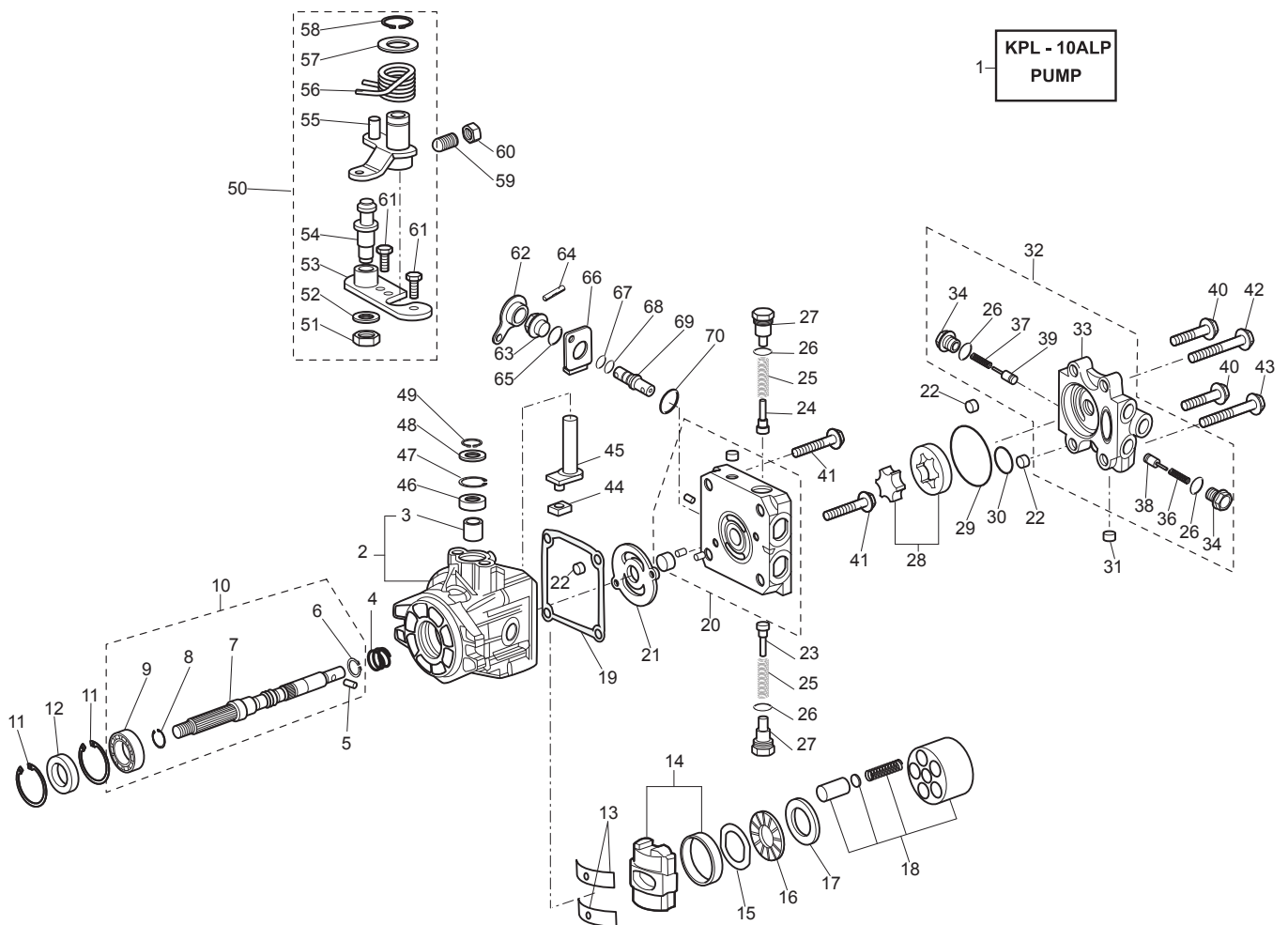


Utgåva Issue 10 - 2015		Dekaler Labels			
Pos. Fig.	Antal Quantity	Art nr Part No	Benämning	Description	Anmärkning Notes
1	3	114367494/2	Dekal STIGA logo	Label STIGA logo	
2	2	114368477/0	Dekal Park Pro 340 X	Label Park Pro 340 X	Park Pro 340 X
3	1	114368323/0	Dekal	Label	
4	1	114358460/0	Dekal	Label	
5	1	114368429/0	Dekal	Label	

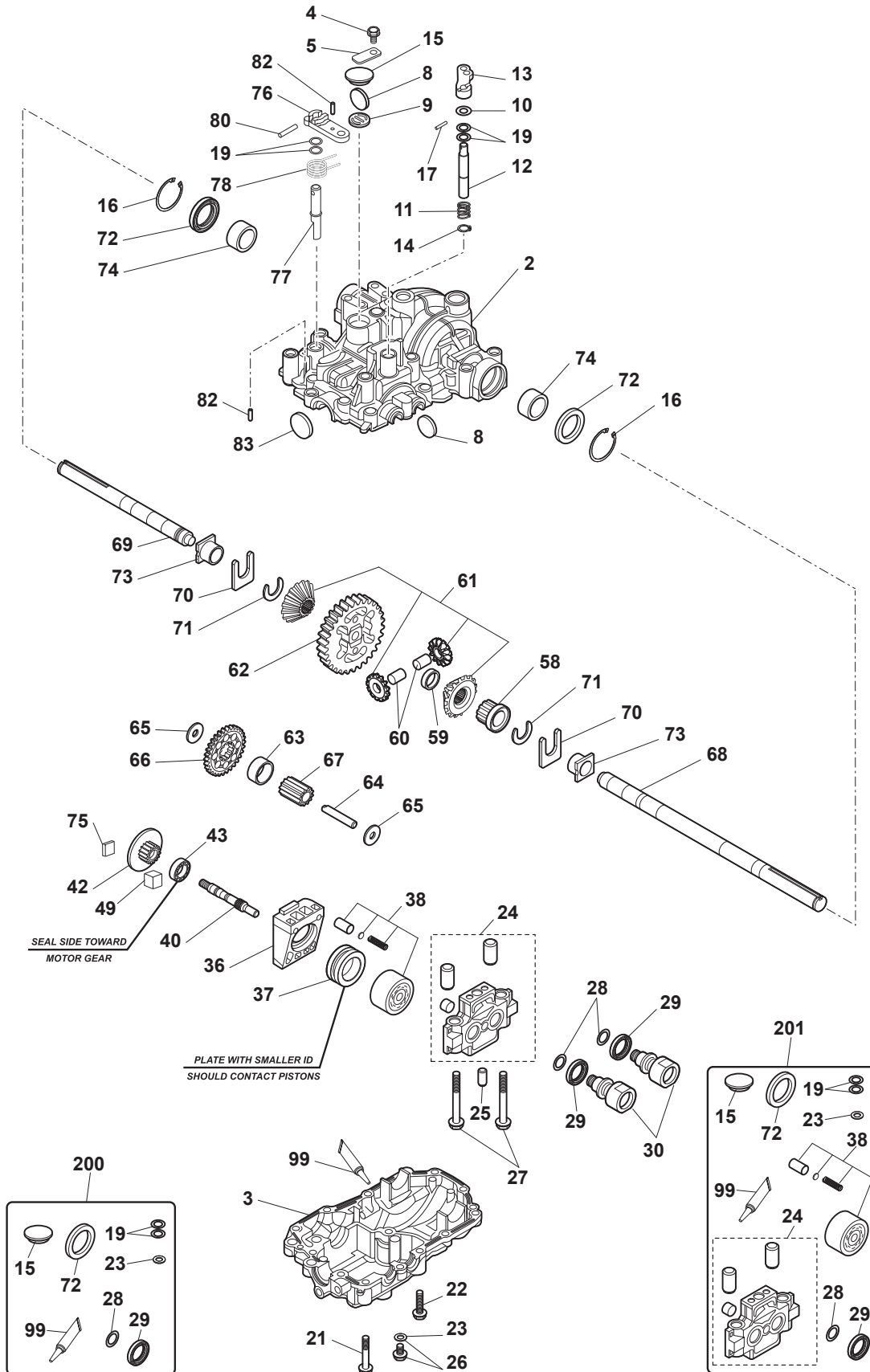




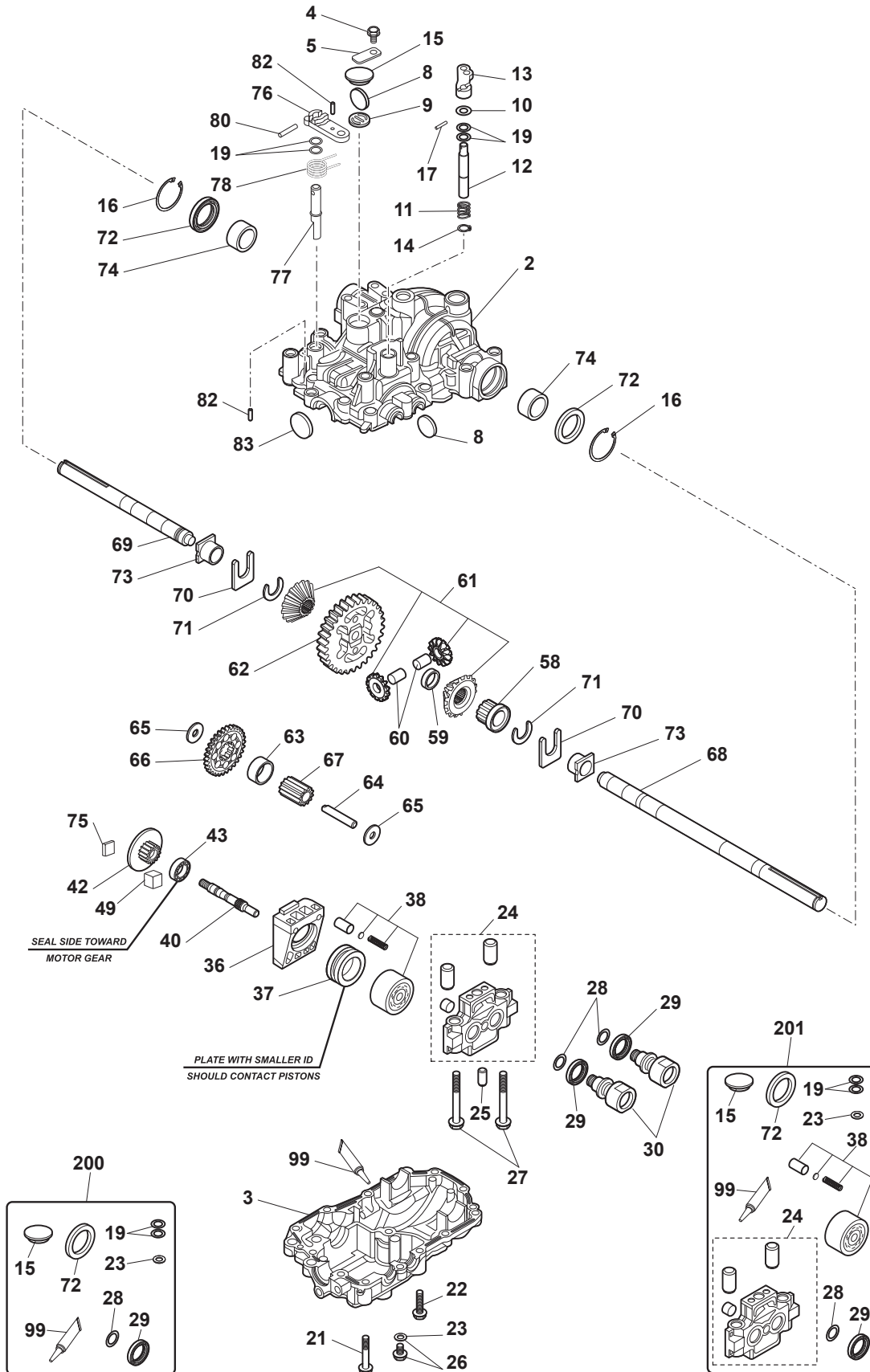
Utgåva Issue 10 - 2015		Transmission		Transmission	
Pos. Fig.	Antal Quantity	Art nr Part No	Benämning	Description	Anmärkning Notes
1	1	1134-5700-01	Hydraulpump	Hydraulic Pump	Kanzaki KPL-10ALP
2	1	1139-1514-01	Hus	Housing	Inkl. pos 3
4	1	1139-1018-01	Fjäder	Spring	
5	1	1139-1148-01	Stift	Pin	
6	1	1139-1021-01	Lasring	Snap Ring	
8	1	1139-1532-01	Lasring	Retaining Ring	
9	1	1139-0236-01	Kullager	Ball Bearing	
10	1	1139-1516-01	Pumpaxel Kpl	Pump Shaft Assy	Pos 6-9 incl.
11	2	1139-1369-01	Sparring	Snap Ring	
12	1	1139-1396-01	Tätningring	Seal	
13	2	1139-1022-01	Tryckplatta	Metal Thrust	
14	1	1139-1523-01	Stänkplatta	Swash Plate	
14	1	1139-1722-01	Stänkplatta	Swash Plate	
15	1	1139-1026-01	Tryckplatta	Thrust Plate	
16	1	1139-1024-01	Lager	Bearing	
17	1	1139-1525-01	Tryckplatta	Thrust Plate	
18	1	1139-1509-01	Cylinderblock Kpl	Cylinder Block Kit	
19	1	1139-1515-01	Packning	Case Gasket	
20	1	1139-1521-01	Centrumhus	Center Case Assy	
21	1	1139-1513-01	Ventilplatta	Valve Plate	
22	8	1139-1166-01	Stift	Pin	
23	1	1139-1368-01	Ventil F	Check Valve F	
24	1	1139-1374-01	Ventil R	Check Valve R	
25	2	1139-1366-01	Fjäder	Spring	
27	2	1139-1367-01	Plugg	Check Plug	
28	1	1139-1530-01	Rotor (Ej Reservdel)	Rotor Set	
29	1	1139-1529-01	O-Ring	Packing	
30	1	1139-1533-01	O-Ring	O-Ring	
31	1	1139-1107-01	Plugg	Plug	
33	1	1139-1519-01	Pumphus (Ej Reservdel)	Pump Body	
34	2	1139-1375-01	Plugg	Charge Plug	
35	1	1139-1114-01	O-Ring	O-Ring	
36	1	1139-1376-01	Fjäder	Spring	
37	1	1139-1389-01	Ventilfjäder	Valve Spring	
38	1	1139-1385-01	Ventil	Relief Valve	
39	1	1139-1386-01	Ventil	Charge Valve	
40	2	1139-1535-01	Bult	Bolt	
41	4	1139-1536-01	Bult	Bolt	
42	1	1139-1537-01	Bult	Bolt	
43	1	1139-1538-01	Bult	Bolt	
44	1	1139-1524-01	Växelblock	Shift Block	
45	1	1139-1517-01	ReglaVäxelm	Control Arm	
46	1	1139-1365-01	Tätningring	Oil Seal	
47	1	1139-1393-01	Sparring	Ring	
48	1	1139-1382-01	Bricka	Washer	
49	1	1139-1391-01	Lasring	Ring	
50	1	1139-1520-01	Arm Kpl	Neutral Return Assy	Pos 51-58 incl.
51	1	1139-1127-01	Mutter	Nut	
52	1	1139-1102-01	Bricka	Washer	



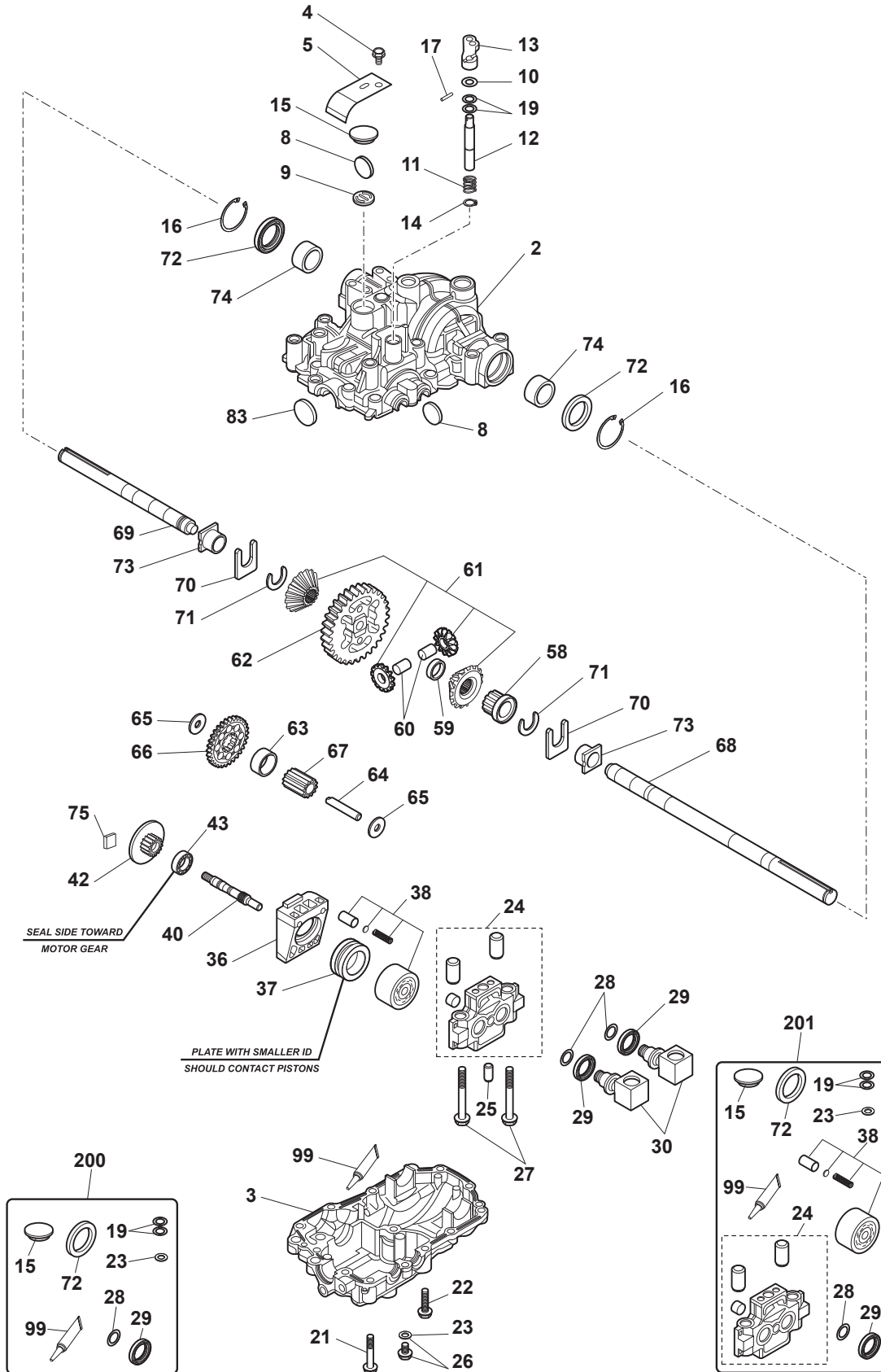
Utgåva Issue 10 - 2015		Transmission			
Pos. Fig.	Antal Quantity	Art nr Part No	Benämning	Description	Anmärkning Notes
53	1	1139-1377-01	Plat (Returfjäder)	Plate (Return Spring)	
54	1	1139-1378-01	Vridcentrum	Fulcrum	
55	1	1139-1379-01	Fjäder	Spring	
56	1	1139-1380-01	Returfjäder	Return Spring	
57	1	1139-1390-01	Bricka	Washer	
58	1	1139-1392-01	Sparring	Ring	
59	1	1139-1381-01	Skruv	Screw	
60	1	1139-1127-01	Mutter	Nut	
61	2	1139-1122-01	Bult	Bolt	
62	1	1139-1372-01	By-Passarm	By-Pass Lever	
63	1	1139-1371-01	Adapter	By-Pass Adapter	
64	1	1139-1395-01	Stift	Pin	
65	1	1139-1115-01	O-Ring	O-Ring	
66	1	1139-1373-01	Plat	By-Pass Plate	
67	1	1139-1387-01	Ring	Back-Up Ring	
68	1	1139-1112-01	O-Ring	O-Ring	
69	1	1139-1370-01	By-Passaxel	By-Pass Pin	
70	1	1139-1522-01	Bricka	Wave Washer	



Utgåva Issue 10 - 2015		Transmission		Transmission	
Pos. Fig.	Antal Quantity	Art nr Part No	Benämning	Description	Anmärkning Notes
1	1	1134-5701-01	Motoraxel-Bakre (Ktm10G)	Rear Motor Unit (Ktm10G)	Kanzaki KTM 10G/KT-M10G/
2	1	1139-1416-01	Hus-Övre	Housing-Upper	Inkl. pos 74/KTM10G/
2	1	1139-1417-01	Hus-Övre	Housing-Upper	Inkl. pos 74/KTM10G/
2	1	1139-1607-01	Hus-Övre	Housing Assy-Upper	Pos 74 incl.
3	1	1139-1418-01	Hus-Nedre	Housing-Lower	/KTM10G/
4	1	1139-1123-01	Bult	Bolt	/KTM10G/
5	1	1139-1383-01	Plat	Vent Port Plate	/KTM10G/
8	2	1139-1150-01	Magnet	Magnet	
9	1	1139-1341-01	Magnethallare	Magnet Holder	/KTM10G/
10	1	1139-1388-01	Bricka	Washer	/KTM10G/
11	1	1139-1421-01	Fjäder	Spring	/KTM10G/
12	1	1139-1420-01	By-Passaxel	By-Pass Shaft	/KTM10G/
13	1	1139-1189-01	Arm	By-Pass Lever	/KTM10G/
14	1	1139-1391-01	Lasring	Ring	/KTM10G/
15	1	1139-1275-01	Plugg	Bore Plug	
15	1	1139-1397-01	Tätningshuv	Sealing Cap	/KTM10G/
16	2	1139-1444-01	Lasring	Ring	
17	1	1139-1280-01	Stift	Pin	/KTM10G/
19	2	1139-1114-01	O-Ring	O-Ring	
21	3	1139-1291-01	Bult	Bolt	
22	11	1139-1448-01	Bult	Bolt	
23	1	1139-1103-01	Bricka	Washer	/KTM10G/
24	1	1139-1419-01	Centrumhus	Center Case	/KTM10G/
24	1	1139-1503-01	Centrumhus	Center Case	/KTM10G/
24	1	1139-1723-01	Centrumhus Kpl	Center Case Assy	
25	1	1139-1445-01	Stift	Pin	/KTM10G/
26	1	1139-1500-01	Dräneringsbult-Sats	Drain Bolt Kit	/KTM10G/
27	2	1139-1449-01	Bult	Bolt	
28	2	1139-1446-01	Packning	Packing	
29	2	1139-1447-01	Tätningring	Seal	
30	2	1139-1423-01	Anslutning	Connector	
36	1	1139-1422-01	Hus	Housing	/KTM10G/
36	1	1139-1504-01	Motorhus	Motor Housing	/KTM10G/
37	1	1139-1438-01	Lager	Bearing	/KTM10G/
38	1	1139-1139-01	Cylinderblock Kpl	Cylinder Block Assy	/KTM10G/
38	1	1139-1509-01	Cylinderblock Kpl	Cylinder Block Kit	/KTM10G/
40	1	1139-1425-01	Motoraxel	Motor Shaft	/KTM10G/
42	1	1139-1442-01	Motordrev	Motor Gear	/KTM10G/
43	1	1139-1286-01	Kullager	Ball Bearing	/KTM10G/
43	1	1139-1453-01	Lager	Bearing	/KTM10G/
58	1	1139-1330-01	Hylsa	Collar	/KTM10G/
58	1	1139-1531-01	Hylsa	Collar	/KTM10G/
59	1	1139-1435-01	Hylsa	Collar, Axle	/KTM10G/
60	1	1139-1440-01	Stift	Pin	/KTM10G/
61	1	1139-1439-01	Differentialdrev	Differential Gear Kit	/KTM10G/
62	1	1139-1429-01	Slutdrev	Final Gear	/KTM10G/
63	1	1139-1427-01	Hylsa	Collar	/KTM10G/
64	1	1139-1256-01	röduktionsaxel	Reduction Shaft	/KTM10G/

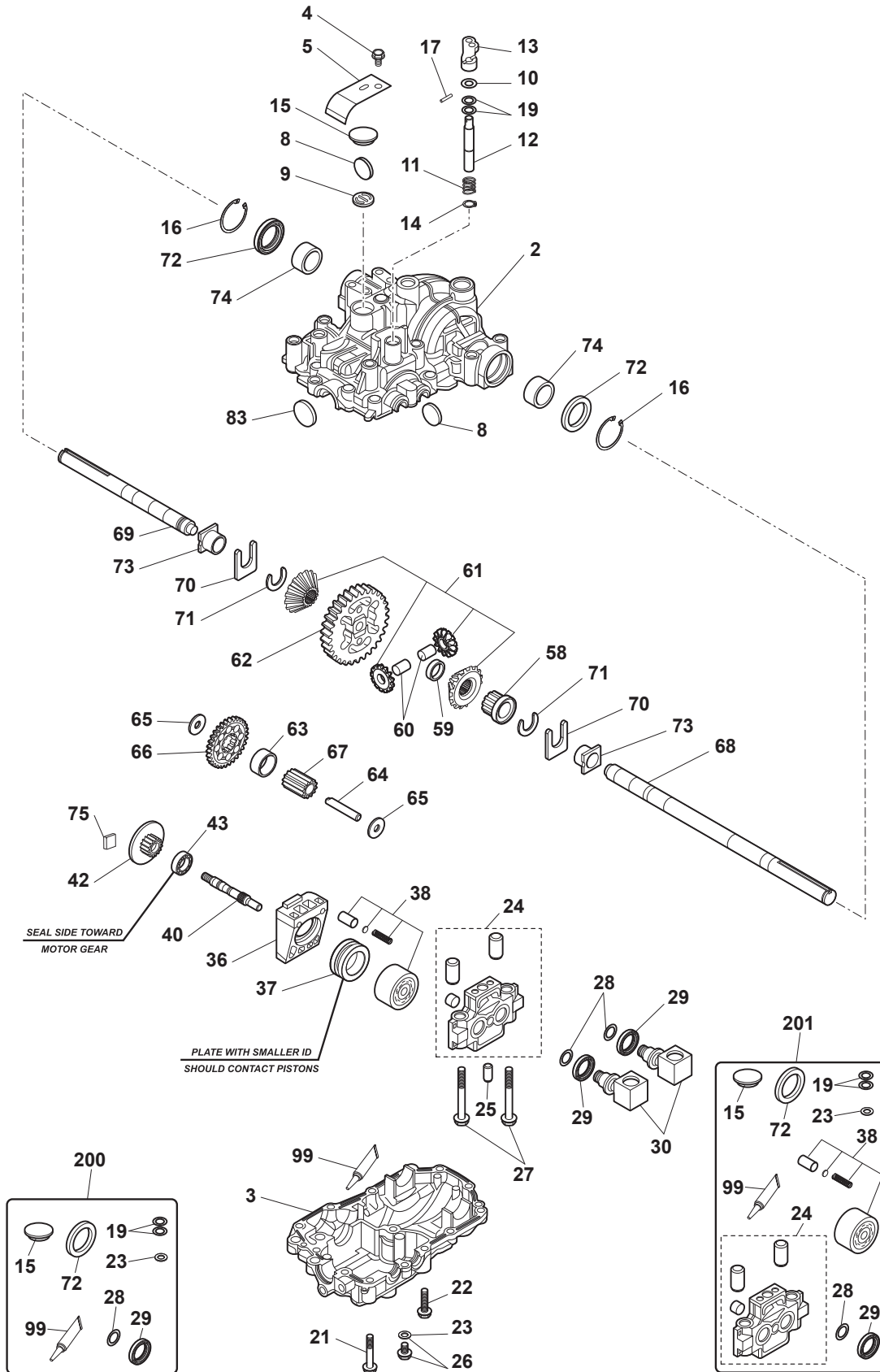


Utgåva Issue 10 - 2015		Transmission		Transmission	
Pos. Fig.	Antal Quantity	Art nr Part No	Benämning	Description	Anmärkning Notes
65	2	1139-1398-01	Bricka	Washer	
66	1	1139-1441-01	Reduktionsdrev	Reduction Gear	/KTM10G/
67	1	1139-1361-01	Slutdrev	Final Pinion Gear	/KTM10G/
68	1	1139-1434-01	Hjulaxel	Axle	/KTM10G/
69	1	1139-1433-01	Hjulaxel	Axle	/KTM10G/
70	2	1139-1194-01	Bricka	Thrust Washer	
71	2	1139-1155-01	Lasring	Ring	
72	2	1139-1044-01	Tätning	Seal 25.4*42*8	
73	2	1139-1156-01	Bussning	Bushing	
74	2	1139-1415-01	Bussning	Bushing	
75	1	1139-1260-01	Bromssko	Brake Shoe	/KTM10G/
76	1	1139-1261-01	Bromsarm	Brake Arm	/KTM10G/
77	1	1139-1320-01	Bromsaxel	Brake Shaft	/KTM10G/
78	1	1139-1263-01	Returfjäder	Return Spring	/KTM10G/
79	1	1139-1264-01	Tryckplatta	Brake Actuator	/KTM10G/
80	1	1139-1282-01	Stift	Pin	/KTM10G/
81	1	1139-1114-01	O-Ring	O-Ring	
82	2	1139-1281-01	Stift	Pin	
83	1	1139-1450-01	Tätningshuv	Sealing Cap	/KTM10G/
99	1	1139-1443-01	Tätningmedel	Sealant (Tube)	/KTM10G/
200	1	1139-1437-01	Servicesats	Seal Kit	/KTM10G/





Utgåva Issue 10 - 2015		Transmission			
Pos. Fig.	Antal Quantity	Art nr Part No	Benämning	Description	Anmärkning Notes
1	1	1134-5702-01	Motoraxel-Främre (Ktm10F)	Front Motor Unit (Ktm10F)	Kanzaki KTM 10F/KT-M10F/
2	1	1139-1417-01	Hus-Övre	Housing-Upper	Inkl. pos 74/KTM10F/
2	1	1139-1604-01	Hus-Övre	Housing Assy-Upper	Pos 74 incl.
3	1	1139-1418-01	Hus-Nedre	Housing-Lower	/KTM10F/
4	1	1139-1123-01	Bult	Bolt	/KTM10F/
5	1	1139-1384-01	Glidplat	Skid Plate	/KTM10F/
5	1	1139-1603-01	Glidplat	Skid Plate	
8	2	1139-1150-01	Magnet	Magnet	
9	1	1139-1341-01	Magnethallare	Magnet Holder	/KTM10F/
10	1	1139-1388-01	Bricka	Washer	/KTM10F/
11	1	1139-1421-01	Fjäder	Spring	/KTM10F/
12	1	1139-1420-01	By-Passaxel	By-Pass Shaft	/KTM10F/
13	1	1139-1189-01	Arm	By-Pass Lever	/KTM10F/
14	1	1139-1391-01	Lasring	Ring	/KTM10F/
15	1	1139-1397-01	Tätningshuv	Sealing Cap	/KTM10F/
16	2	1139-1444-01	Lasring	Ring	
17	1	1139-1280-01	Stift	Pin	/KTM10F/
19	2	1139-1114-01	O-Ring	O-Ring	
21	3	1139-1291-01	Bult	Bolt	
22	11	1139-1448-01	Bult	Bolt	
23	1	1139-1103-01	Bricka	Washer	/KTM10F/
24	1	1139-1419-01	Centrumhus	Center Case	/KTM10F/
24	1	1139-1503-01	Centrumhus	Center Case	/KTM10F/
24	1	1139-1723-01	Centrumhus Kpl	Center Case Assy	
25	1	1139-1445-01	Stift	Pin	/KTM10F/
26	1	1139-1500-01	Dräneringsbult-Sats	Drain Bolt Kit	/KTM10F/
27	2	1139-1449-01	Bult	Bolt	
28	2	1139-1446-01	Packning	Packing	
29	2	1139-1447-01	Tätningring	Seal	
30	2	1139-1424-01	Anslutning	Connector	
36	1	1139-1422-01	Hus	Housing	/KTM10F/
36	1	1139-1504-01	Motorhus	Motor Housing	/KTM10F/
37	1	1139-1438-01	Lager	Bearing	/KTM10F/
38	1	1139-1139-01	Cylinderblock Kpl	Cylinder Block Assy	/KTM10F/
38	1	1139-1509-01	Cylinderblock Kpl	Cylinder Block Kit	/KTM10F/
40	1	1139-1425-01	Motoraxel	Motor Shaft	/KTM10F/
42	1	1139-1442-01	Motordrev	Motor Gear	/KTM10F/
43	1	1139-1286-01	Kullager	Ball Bearing	/KTM10F/
43	1	1139-1453-01	Lager	Bearing	/KTM10F/
58	1	1139-1330-01	Hylsa	Collar	/KTM10F/
59	1	1139-1435-01	Hylsa	Collar, Axle	/KTM10F/
60	1	1139-1440-01	Stift	Pin	/KTM10F/
61	1	1139-1439-01	Differentialdrev	Differential Gear Kit	/KTM10F/
62	1	1139-1429-01	Slutdrev	Final Gear	/KTM10F/
63	1	1139-1427-01	Hylsa	Collar	/KTM10F/
64	1	1139-1256-01	röduktionsaxel	Reduction Shaft	/KTM10F/
65	2	1139-1398-01	Bricka	Washer	
66	1	1139-1441-01	Reduktionsdrev	Reduction Gear	/KTM10F/



Utgåva Issue 10 - 2015		Transmission			
Pos. Fig.	Antal Quantity	Art nr Part No	Benämning	Description	Anmärkning Notes
67	1	1139-1361-01	Slutdrev	Final Pinion Gear	/KTM10F/
68	1	1139-1432-01	Hjulaxel	Axle	/KTM10F/
69	1	1139-1431-01	Hjulaxel	Axle	/KTM10F/
70	2	1139-1194-01	Bricka	Thrust Washer	
71	2	1139-1155-01	Lasring	Ring	
72	2	1139-1044-01	Tätning	Seal 25.4*42*8	
73	2	1139-1156-01	Bussning	Bushing	
74	2	1139-1415-01	Bussning	Bushing	
75	1	1139-1260-01	Bromssko	Brake Shoe	/KTM10F/
83	1	1139-1450-01	Tätningshuv	Sealing Cap	/KTM10F/
99	1	1139-1443-01	Tätningmedel	Sealant (Tube)	/KTM10F/
200	1	1139-1436-01	Servicesats	Seal Kit	/KTM10F/

code	pos.	q.ty	page															
13-0993-61	45	1	p. 31	1134-3990-01	29	1	p. 13	1134-5686-01	48	4	p. 31							
1131-1497-01	51	1	p. 21	1134-3996-01	31	1	p. 21	1134-5689-01	29	1	p. 21							
1134-0031-00	3	1	p. 9	1134-4002-01	52	1	p. 21	1134-5700-01	1	1	p. 41							
1134-0041-01	17	3	p. 15	1134-4014-01	23	1	p. 27	1134-5700-01	13	1	p. 27							
1134-0041-02	11	4	p. 15	1134-4077-02	9	1	p. 19	1134-5701-01	1	1	p. 45							
1134-0046-00	18	2	p. 15	1134-4078-01	10	1	p. 19	1134-5701-01	26	1	p. 27							
1134-0051-09	10	1	p. 33	1134-4093-01	42	1	p. 19	1134-5702-01	1	1	p. 49							
1134-0051-09	28	1	p. 33	1134-4100-01	20	2	p. 9	1134-5702-01	36	1	p. 27							
1134-0052-00	12	2	p. 33	1134-4114-01	28	1	p. 15	1134-5703-01	30	1	p. 27							
1134-0052-00	26	1	p. 33	1134-4117-01	1	1	p. 11	1134-5703-01	40	1	p. 27							
1134-0222-00	13	1	p. 33	1134-4118-01	29	1	p. 15	1134-5705-01	8	1	p. 9							
1134-0234-02	23	1	p. 23	1134-4129-01	40	2	p. 19	1134-5713-02	8	1	p. 27							
1134-0240-00	5	1	p. 27	1134-4130-01	32	1	p. 13	1134-5713-03	24	1	p. 33							
1134-0240-00	10	2	p. 13	1134-4135-01	34	1	p. 13	1134-5713-04	7	1	p. 33							
1134-0240-00	11	1	p. 19	1134-4156-01	1	1	p. 19	1134-5733-01	6	1	p. 25							
1134-0240-00	12	2	p. 11	1134-4160-01	18	2	p. 13	1134-5739-01	1	1	p. 27							
1134-0240-00	15	2	p. 9	1134-4176-01	4	2	p. 5	1134-5742-01	15	1	p. 33							
1134-0240-00	21	1	p. 33	1134-4176-01	12	2	p. 5	1134-5751-01	1	1	p. 23							
1134-0240-00	24	2	p. 13	1134-4176-01	13	2	p. 7	1134-5759-01	6	1	p. 29							
1134-0266-00	25	1	p. 21	1134-4187-01	32	1	p. 21	1134-5763-01	22	1	p. 27							
1134-0267-00	26	1	p. 21	1134-4190-01	14	1	p. 27	1134-5764-01	10	1	p. 27							
1134-0994-02	36	1	p. 25	1134-4242-01	12	2	p. 19	1134-5765-01	30	1	p. 25							
1134-1565-08	37	2	p. 13	1134-4242-01	16	2	p. 9	1134-5797-01	9	4	p. 31							
1134-1565-09	18	1	p. 29	1134-4242-01	52	1	p. 27	1134-5807-01	10	1	p. 29							
1134-1565-09	34	2	p. 21	1134-4282-01	22	1	p. 29	1134-5808-01	3	1	p. 29							
1134-1565-09	49	1	p. 9	1134-4282-01	42	1	p. 15	1134-5808-01	20	1	p. 29							
1134-1565-14	9	2	p. 37	1134-4338-01	46	1	p. 19	1134-5809-01	5	1	p. 29							
1134-1565-15	33	1	p. 27	1134-4360-01	17	1	p. 5	1134-5809-01	16	1	p. 29							
1134-1730-02	1	1	p. 33	1134-4481-02	31	2	p. 25	1134-5810-01	1	1	p. 29							
1134-1888-06	3	1	p. 33	1134-4734-01	10	2	p. 3	1134-5810-01	21	1	p. 29							
1134-2310-01	24	1	p. 23	1134-4749-01	44	1	p. 19	1134-5810-01	24	1	p. 29							
1134-2684-01	2	2	p. 11	1134-4796-01	31	2	p. 31	1134-5814-01	4	1	p. 29							
1134-2700-01	13	2	p. 21	1134-4844-03	1	2	p. 31	1134-5815-02	3	1	p. 21							
1134-2766-08	22	1	p. 21	1134-4844-03	21	2	p. 31	1134-5819-02	26	1	p. 29							
1134-2786-01	50	1	p. 21	1134-4938-01	13	1	p. 11	1134-5821-01	16	1	p. 27							
1134-2816-01	10	4	p. 15	1134-4945-01	3	1	p. 11	1134-5823-01	41	1	p. 33							
1134-2824-01	6	10	p. 15	1134-4948-01	33	1	p. 29	1134-5824-01	45	1	p. 33							
1134-2871-01	35	2	p. 19	1134-4948-02	46	2	p. 15	1134-5825-01	13	1	p. 25							
1134-2871-03	34	1	p. 19	1134-4970-01	22	1	p. 23	1134-5826-01	16	1	p. 25							
1134-3156-01	28	1	p. 13	1134-5112-01	54	1	p. 35	1134-5827-01	12	1	p. 25							
1134-3224-01	22	1	p. 25	1134-5177-01	54	1	p. 17	1134-5862-01	15	2	p. 27							
1134-3225-01	23	1	p. 25	1134-5353-01	49	1	p. 21	1134-5875-01	11	1	p. 29							
1134-3262-01	38	1	p. 13	1134-5512-01	13	1	p. 3	1134-5962-02	36	1	p. 29							
1134-3383-02	2	2	p. 31	1134-5532-01	21	1	p. 25	1134-5963-01	37	1	p. 29							
1134-3383-02	22	2	p. 31	1134-5615-01	26	1	p. 25	1134-5964-01	38	1	p. 29							
1134-3399-01	14	1	p. 23	1134-5621-01	27	1	p. 25	1134-5988-01	10	1	p. 9							
1134-3459-01	2	1	p. 27	1134-5622-01	28	1	p. 25	1134-5989-01	5	1	p. 21							
1134-3491-01	9	1	p. 23	1134-5623-01	29	1	p. 25	1134-6020-01	4	1	p. 21							
1134-3496-01	11	1	p. 23	1134-5634-01	1	1	p. 7	1134-6039-01	32	1	p. 29							
1134-3496-06	11	1	p. 23	1134-5635-01	8	1	p. 7	1134-6042-01	34	1	p. 29							
1134-3496-07	11	1	p. 23	1134-5636-01	6	1	p. 7	1134-6073-01	39	1	p. 13							
1134-3499-02	15	1	p. 25	1134-5637-01	12	1	p. 7	1134-6078-01	43	4	p. 13							
1134-3547-01	16	3	p. 15	1134-5638-01	9	1	p. 7	1134-6090-01	23	1	p. 13							
1134-3550-01	4	1	p. 15	1134-5638-02	10	1	p. 7	1134-6096-07	38	1	p. 19							
1134-3550-02	5	1	p. 15	1134-5642-01	3	1	p. 23	1134-6113-02	17	1	p. 3							
1134-3565-01	7	4	p. 15	1134-5643-01	2	1	p. 23	1134-6116-01	4	1	p. 25							
1134-3631-01	12	1	p. 23	1134-5644-01	20	1	p. 25	1134-6313-01	12	2	p. 21							
1134-3654-01	33	1	p. 33	1134-5647-01	15	1	p. 7	1134-6314-01	46	1	p. 33							
1134-3663-01	2	1	p. 33	1134-5647-02	19	1	p. 7	1134-6317-01	63	1	p. 21							
1134-3663-01	16	1	p. 33	1134-5655-01	1	1	p. 21	1134-6323-01	47	1	p. 15							
1134-3817-01	8	1	p. 15	1134-5660-01	40	1	p. 33	1134-6327-01	27	1	p. 19							
1134-3817-02	9	1	p. 15	1134-5663-01	25	1	p. 33	1134-6328-01	25	1	p. 19							
1134-3901-01	6	1	p. 23	1134-5664-01	37	1	p. 33	1134-6340-02	60	2	p. 21							
1134-3970-02	26	1	p. 5	1134-5670-01	48	1	p. 27	1134-6353-01	11	1	p. 21							
1134-3970-05	25	1	p. 5	1134-5674-01	36	1	p. 33	1134-6372-04	31	1	p. 9							
1134-3979-01	18	1	p. 5	1134-5676-01	14	1	p. 9	1134-6374-02	2	3	p. 15							
				1134-5677-02	6	1	p. 21	1134-6374-04	3	1	p. 15							

code	pos.	q.ty	page											
1134-6374-06	1	1	p. 15	1139-1024-01	16	1	p. 41	1139-1376-01	36	1	p. 41			
1134-6379-02	70	1	p. 17	1139-1026-01	15	1	p. 41	1139-1377-01	53	1	p. 43			
1134-6452-01	37	1	p. 33	1139-1044-01	72	2	p. 47	1139-1378-01	54	1	p. 43			
1134-6454-01	32	1	p. 23	1139-1044-01	72	2	p. 51	1139-1379-01	55	1	p. 43			
1134-6586-01	30	1	p. 9	1139-1102-01	52	1	p. 41	1139-1380-01	56	1	p. 43			
1134-7073-01	45	1	p. 15	1139-1103-01	23	1	p. 45	1139-1381-01	59	1	p. 43			
1134-7430-01	36	1	p. 33	1139-1103-01	23	1	p. 49	1139-1382-01	48	1	p. 41			
1134-7465-01	46	1	p. 31	1139-1107-01	31	1	p. 41	1139-1383-01	5	1	p. 45			
1134-7505-01	34	1	p. 23	1139-1112-01	68	1	p. 43	1139-1384-01	5	1	p. 49			
1134-7535-01	19	1	p. 23	1139-1114-01	19	2	p. 45	1139-1385-01	38	1	p. 41			
1134-9024-01	2	1	p. 21	1139-1114-01	19	2	p. 49	1139-1386-01	39	1	p. 41			
1134-9028-01	3	1	p. 7	1139-1114-01	35	1	p. 41	1139-1387-01	67	1	p. 43			
1134-9058-01	9	1	p. 27	1139-1114-01	81	1	p. 47	1139-1388-01	10	1	p. 45			
1134-9097-01	20	1	p. 33	1139-1115-01	65	1	p. 43	1139-1388-01	10	1	p. 49			
1134-9098-01	8	1	p. 33	1139-1122-01	61	2	p. 43	1139-1389-01	37	1	p. 41			
1136-2975-08	24	1	p. 25	1139-1123-01	4	1	p. 45	1139-1390-01	57	1	p. 43			
1137-0033-01	47	2	p. 13	1139-1123-01	4	1	p. 49	1139-1391-01	14	1	p. 45			
1137-0033-02	48	2	p. 13	1139-1127-01	51	1	p. 41	1139-1391-01	14	1	p. 49			
1137-0038-01	26	1	p. 13	1139-1127-01	60	1	p. 43	1139-1391-01	49	1	p. 41			
1137-0044-01	24	1	p. 15	1139-1139-01	38	1	p. 45	1139-1392-01	58	1	p. 43			
1137-0045-01	27	1	p. 15	1139-1139-01	38	1	p. 49	1139-1393-01	47	1	p. 41			
1137-0048-01	1	1	p. 5	1139-1148-01	5	1	p. 41	1139-1395-01	64	1	p. 43			
1137-0048-02	2	1	p. 5	1139-1150-01	8	2	p. 45	1139-1396-01	12	1	p. 41			
1137-0049-01	10	1	p. 5	1139-1150-01	8	2	p. 49	1139-1397-01	15	1	p. 45			
1137-0050-01	40	1	p. 5	1139-1155-01	71	2	p. 47	1139-1397-01	15	1	p. 49			
1137-0051-01	42	1	p. 5	1139-1155-01	71	2	p. 51	1139-1398-01	65	2	p. 47			
1137-0052-01	44	1	p. 5	1139-1156-01	73	2	p. 47	1139-1398-01	65	2	p. 49			
1137-0053-01	45	1	p. 5	1139-1156-01	73	2	p. 51	1139-1415-01	74	2	p. 47			
1137-0054-01	47	1	p. 5	1139-1166-01	22	8	p. 41	1139-1415-01	74	2	p. 51			
1137-0057-01	7	1	p. 13	1139-1189-01	13	1	p. 45	1139-1416-01	2	1	p. 45			
1137-0061-01	31	1	p. 5	1139-1189-01	13	1	p. 49	1139-1417-01	2	1	p. 45			
1137-0062-01	45	1	p. 19	1139-1194-01	70	2	p. 47	1139-1417-01	2	1	p. 49			
1137-0063-01	15	1	p. 19	1139-1194-01	70	2	p. 51	1139-1418-01	3	1	p. 45			
1137-0064-01	50	1	p. 13	1139-1256-01	64	1	p. 45	1139-1418-01	3	1	p. 49			
1137-0065-01	32	1	p. 5	1139-1256-01	64	1	p. 49	1139-1419-01	24	1	p. 45			
1137-0066-01	21	1	p. 15	1139-1260-01	75	1	p. 47	1139-1419-01	24	1	p. 49			
1137-0070-01	53	1	p. 15	1139-1260-01	75	1	p. 51	1139-1420-01	12	1	p. 45			
1137-0072-01	46	1	p. 25	1139-1261-01	76	1	p. 47	1139-1420-01	12	1	p. 49			
1137-0073-01	9	1	p. 25	1139-1263-01	78	1	p. 47	1139-1421-01	11	1	p. 45			
1137-0075-01	27	1	p. 23	1139-1264-01	79	1	p. 47	1139-1421-01	11	1	p. 49			
1137-0077-01	47	2	p. 31	1139-1275-01	15	1	p. 45	1139-1422-01	36	1	p. 45			
1137-0088-01	7	2	p. 5	1139-1280-01	17	1	p. 45	1139-1422-01	36	1	p. 49			
1137-0109-01	11	1	p. 11	1139-1280-01	17	1	p. 49	1139-1423-01	30	2	p. 45			
1137-0112-01	58	1	p. 17	1139-1281-01	82	2	p. 47	1139-1424-01	30	2	p. 49			
1137-0115-01	16	1	p. 19	1139-1282-01	80	1	p. 47	1139-1425-01	40	1	p. 45			
1137-0115-01	18	2	p. 19	1139-1286-01	43	1	p. 45	1139-1425-01	40	1	p. 49			
1137-0196-01	48	1	p. 15	1139-1286-01	43	1	p. 49	1139-1427-01	63	1	p. 45			
1137-0197-03	50	1	p. 15	1139-1291-01	21	3	p. 45	1139-1427-01	63	1	p. 49			
1137-0207-01	17	1	p. 25	1139-1291-01	21	3	p. 49	1139-1429-01	62	1	p. 45			
1137-0209-01	9	1	p. 33	1139-1320-01	77	1	p. 47	1139-1429-01	62	1	p. 49			
1137-0209-01	27	1	p. 33	1139-1330-01	58	1	p. 45	1139-1431-01	69	1	p. 51			
1137-0215-01	17	1	p. 29	1139-1330-01	58	1	p. 49	1139-1432-01	68	1	p. 51			
1137-0215-02	23	1	p. 29	1139-1341-01	9	1	p. 45	1139-1433-01	69	1	p. 47			
1137-0219-01	2	1	p. 29	1139-1341-01	9	1	p. 49	1139-1434-01	68	1	p. 47			
1137-0220-01	25	1	p. 29	1139-1361-01	67	1	p. 47	1139-1435-01	59	1	p. 45			
1137-0223-01	15	1	p. 29	1139-1361-01	67	1	p. 51	1139-1435-01	59	1	p. 49			
1137-0260-01	45	1	p. 13	1139-1365-01	46	1	p. 41	1139-1436-01	200	1	p. 51			
1137-0261-01	46	1	p. 13	1139-1366-01	25	2	p. 41	1139-1437-01	200	1	p. 47			
1137-0263-01	16	2	p. 13	1139-1367-01	27	2	p. 41	1139-1438-01	37	1	p. 45			
1137-0272-01	35	1	p. 29	1139-1368-01	23	1	p. 41	1139-1438-01	37	1	p. 49			
1137-0446-01	38	1	p. 15	1139-1369-01	11	2	p. 41	1139-1439-01	61	1	p. 45			
1137-1120-01	2	1	p. 9	1139-1370-01	69	1	p. 43	1139-1439-01	61	1	p. 49			
1139-0236-01	9	1	p. 41	1139-1371-01	63	1	p. 43	1139-1440-01	60	1	p. 45			
1139-1018-01	4	1	p. 41	1139-1372-01	62	1	p. 43	1139-1440-01	60	1	p. 49			
1139-1021-01	6	1	p. 41	1139-1373-01	66	1	p. 43	1139-1441-01	66	1	p. 47			
1139-1022-01	13	2	p. 41	1139-1374-01	24	1	p. 41	1139-1441-01	66	1	p. 49			
				1139-1375-01	34	2	p. 41	1139-1442-01	42	1	p. 45			

code	pos.	q.ty	page								
1139-1442-01	42	1	p. 49	9400-0358-01	33	2	p. 23	9739-0631-22	35	2	p. 33
1139-1443-01	99	1	p. 47	9400-0384-01	55	1	p. 19	9739-0631-22	60	2	p. 17
1139-1443-01	99	1	p. 51	9404-0027-01	4	1	p. 11	9739-0631-22	62	4	p. 21
1139-1444-01	16	2	p. 45	9404-0028-01	8	1	p. 29	9739-0631-22	65	2	p. 21
1139-1444-01	16	2	p. 49	9404-0028-01	43	1	p. 15	9739-1031-22	4	1	p. 27
1139-1445-01	25	1	p. 45	9404-0029-01	7	9	p. 29	9739-1031-22	5	1	p. 33
1139-1445-01	25	1	p. 49	9501-0502-00	49	2	p. 31	9739-1031-22	9	1	p. 21
1139-1446-01	28	2	p. 45	9501-0504-01	13	1	p. 9	9739-1031-22	15	4	p. 15
1139-1446-01	28	2	p. 49	9545-0124-01	4	2	p. 31	9739-1031-22	19	1	p. 33
1139-1447-01	29	2	p. 45	9545-0124-01	24	2	p. 31	9739-1031-22	19	2	p. 3
1139-1447-01	29	2	p. 49	9545-0203-00	99	1	p. 31	9739-1031-22	20	3	p. 15
1139-1448-01	22	11	p. 45	9545-0500-00	5	2	p. 31	9739-1031-22	32	1	p. 33
1139-1448-01	22	11	p. 49	9545-0500-00	25	2	p. 31	9739-1031-22	44	1	p. 33
1139-1449-01	27	2	p. 45	9547-0001-00	7	2	p. 9	9739-1031-22	51	2	p. 31
1139-1449-01	27	2	p. 49	9549-0017-00	25	1	p. 15	9743-5121-32	6	2	p. 23
1139-1450-01	83	1	p. 47	9549-0019-00	11	2	p. 33	9840-8013-16	28	2	p. 5
1139-1450-01	83	1	p. 51	9549-0019-00	29	2	p. 33	9840-8013-16	33	4	p. 13
1139-1453-01	43	1	p. 45	9570-0001-00	23	2	p. 21	9893-0616-16	2	4	p. 7
1139-1453-01	43	1	p. 49	9578-0011-01	8	1	p. 25	9893-0616-16	3	2	p. 5
1139-1500-01	26	1	p. 45	9578-0023-02	25	2	p. 25	9893-0616-16	11	6	p. 5
1139-1500-01	26	1	p. 49	9578-0023-04	14	1	p. 25	9893-0616-16	14	4	p. 7
1139-1503-01	24	1	p. 45	9578-0023-04	29	3	p. 29	9893-0616-16	18	1	p. 7
1139-1503-01	24	1	p. 49	9578-0023-05	30	1	p. 29	9893-0616-16	22	3	p. 37
1139-1504-01	36	1	p. 45	9578-0028-01	13	1	p. 29	9893-0616-16	23	6	p. 5
1139-1504-01	36	1	p. 49	9579-0003-00	26	8	p. 23	9893-0616-16	26	2	p. 19
1139-1509-01	18	1	p. 41	9595-0256-01	30	2	p. 15	9893-0616-16	27	4	p. 5
1139-1509-01	38	1	p. 45	9595-0262-00	4	1	p. 9	9893-0616-16	28	4	p. 19
1139-1509-01	38	1	p. 49	9595-0262-00	4	2	p. 3	9893-0616-16	32	2	p. 9
1139-1513-01	21	1	p. 41	9595-0276-01	6	1	p. 11	9893-0616-16	40	1	p. 13
1139-1514-01	2	1	p. 41	9600-0251-00	18	1	p. 25	9893-0616-16	45	1	p. 25
1139-1515-01	19	1	p. 41	9632-0513-00	4	1	p. 7	9897-0820-16	2	2	p. 19
1139-1516-01	10	1	p. 41	9632-0522-00	35	2	p. 13	9897-0820-16	5	4	p. 13
1139-1517-01	45	1	p. 41	9650-0039-04	5	1	p. 11	9897-0820-16	9	1	p. 11
1139-1519-01	33	1	p. 41	9653-0002-04	10	2	p. 31	9897-0820-16	22	4	p. 15
1139-1520-01	50	1	p. 41	9653-0002-04	30	2	p. 31	9897-0820-16	30	2	p. 13
1139-1521-01	20	1	p. 41	9665-0002-00	6	1	p. 27	9897-0880-12	4	2	p. 13
1139-1522-01	70	1	p. 43	9665-0002-00	13	1	p. 19	9897-1040-12	14	2	p. 15
1139-1523-01	14	1	p. 41	9665-0002-00	17	2	p. 9	9898-1035-16	18	2	p. 3
1139-1524-01	44	1	p. 41	9665-0002-00	22	1	p. 33	9898-1035-16	50	2	p. 31
1139-1525-01	17	1	p. 41	9695-0011-00	31	1	p. 15	9939-0612-16	41	3	p. 15
1139-1529-01	29	1	p. 41	9699-0030-02	8	1	p. 21	9943-0516-16	15	2	p. 23
1139-1530-01	28	1	p. 41	9699-0030-02	20	2	p. 27	9943-0516-16	17	1	p. 19
1139-1531-01	58	1	p. 45	9699-0030-02	31	2	p. 33	9943-0516-16	19	2	p. 9
1139-1532-01	8	1	p. 41	9699-0035-02	11	1	p. 9	9945-0816-16	8	6	p. 5
1139-1533-01	30	1	p. 41	9699-0035-02	49	1	p. 35	9945-0816-16	16	3	p. 7
1139-1535-01	40	2	p. 41	9699-0060-02	4	1	p. 23	9945-0816-16	21	3	p. 7
1139-1536-01	41	4	p. 41	9699-0060-02	5	2	p. 5	9945-0816-16	26	1	p. 15
1139-1537-01	42	1	p. 41	9699-0060-02	8	1	p. 23	9945-0816-16	30	2	p. 21
1139-1538-01	43	1	p. 41	9699-0087-02	36	1	p. 13	9945-0816-16	34	2	p. 25
1139-1603-01	5	1	p. 49	9699-0090-02	28	1	p. 27	9945-0816-16	51	2	p. 27
1139-1604-01	2	1	p. 49	9699-0090-02	38	1	p. 27	9945-0816-16	55	2	p. 35
1139-1607-01	2	1	p. 45	9699-0090-02	47	2	p. 19	9945-0825-16	59	3	p. 9
1139-1722-01	14	1	p. 41	9699-0090-02	61	2	p. 17	9946-0525-16	19	3	p. 5
1139-1723-01	24	1	p. 45	9699-0103-02	5	1	p. 3	9946-0525-16	39	4	p. 19
1139-1723-01	24	1	p. 49	9699-0109-02	14	1	p. 33	9946-0525-16	43	2	p. 5
1139-2074-01	39	1	p. 15	9699-0114-02	6	1	p. 3	9947-0540-19	32	2	p. 31
1139-2106-01	40	1	p. 15	9699-0120-02	5	1	p. 7	9950-0570-12	20	2	p. 5
4231-0013-00	10	1	p. 21	9710-0631-12	55	1	p. 17	9959-0612-16	34	2	p. 33
4231-0013-00	16	1	p. 11	9731-1031-22	6	6	p. 31	9959-0620-16	61	4	p. 21
9400-0280-01	51	1	p. 19	9731-1031-22	18	1	p. 27	9959-0620-16	64	2	p. 21
9400-0280-03	50	1	p. 19	9731-1031-22	21	2	p. 27	9959-0820-16	10	1	p. 25
9400-0280-04	52	1	p. 19	9731-1031-22	26	6	p. 31	9959-0820-16	14	2	p. 3
9400-0280-05	54	1	p. 19	9731-1031-22	32	2	p. 27	9959-0820-16	14	2	p. 21
9400-0282-01	48	3	p. 19	9731-1031-22	42	2	p. 27	9959-0820-16	28	1	p. 23
9400-0283-01	53	1	p. 19	9739-0531-22	24	2	p. 21	9959-0820-16	38	2	p. 33
9400-0290-01	99	1	p. 19	9739-0531-22	28	2	p. 21	9959-0820-16	47	2	p. 25
				9739-0631-22	15	2	p. 11	9959-0825-16	11	1	p. 27

code	pos.	q.ty	page										
9959-0825-16	14	1	p. 29	112521320/0	30	2	p. 5	137038000/0	50	1	p. 35		
9959-1025-16	12	2	p. 9	112521320/0	51	4	p. 13	137294101/0	33	1	p. 37		
9960-0860-12	27	2	p. 27	112521360/0	12	4	p. 15	137430101/0	20	1	p. 13		
9960-0860-12	37	2	p. 27	112523020/0	41	4	p. 19	137510304/0	19	1	p. 13		
9997-0812-02	34	1	p. 27	112523050/0	8	2	p. 37	137722602/0	2	1	p. 13		
9997-0818-02	17	2	p. 13	112523050/0	15	2	p. 37	187000454/0	3	2	p. 31		
9997-0835-16	16	1	p. 21	112523050/0	38	1	p. 37	187000454/0	23	2	p. 31		
9997-0880-16	49	1	p. 27	112523060/0	9	4	p. 5	187040312/0	30	1	p. 23		
9997-1011-06	30	1	p. 33	112523060/0	17	1	p. 27	337060002/0	21	1	p. 37		
9997-1040-16	17	1	p. 33	112523060/0	17	3	p. 7	337060004/0	30	1	p. 37		
9997-1040-16	19	2	p. 27	112523060/0	21	1	p. 13	337060005/0	20	1	p. 37		
9997-1040-16	31	2	p. 27	112523060/0	22	3	p. 7	337060006/0	11	1	p. 37		
9997-1040-16	41	2	p. 27	112523060/0	37	1	p. 25	337394201/0	57	1	p. 17		
9997-1070-12	6	1	p. 33	112524010/0	13	2	p. 37	337546545/0	4	1	p. 33		
9997-1070-12	7	1	p. 21	112583500/0	3	4	p. 13	337580550/0	33	1	p. 15		
112154220/0	3	2	p. 19	112583500/0	35	1	p. 15	337600001/2	52	1	p. 35		
112154220/0	11	1	p. 25	112604896/0	25	2	p. 27	337600010/0	2	1	p. 37		
112154220/0	12	1	p. 27	112620299/0	36	1	p. 15	337600011/0	3	1	p. 37		
112154220/0	15	2	p. 3	112689500/0	7	1	p. 11	337785100/0	14	1	p. 37		
112154220/0	15	2	p. 21	112689515/0	47	1	p. 33	337961200/0	32	1	p. 15		
112154220/0	17	1	p. 21	112691115/0	33	2	p. 21	387520107/0	37	1	p. 15		
112154220/0	23	4	p. 15	112691400/0	56	1	p. 35	387602501/0	60	1	p. 9		
112154220/0	29	1	p. 23	112691800/0	40	2	p. 37	387602503/0	58	1	p. 9		
112154220/0	31	4	p. 13	112727796/0	34	2	p. 37	387602511/0	25	1	p. 13		
112154220/0	35	2	p. 21	112728697/0	7	1	p. 7	387602519/0	8	1	p. 13		
112154220/0	39	2	p. 33	112728697/0	10	2	p. 23	387773513/0	42	1	p. 13		
112154220/0	48	2	p. 25	112728697/0	11	4	p. 7	387800009/0	6	1	p. 9		
112154330/0	21	2	p. 5	112728697/0	13	1	p. 23	387800013/0	1	1	p. 9		
112154330/0	35	2	p. 37	112728697/0	27	1	p. 29						
112154330/0	37	3	p. 19	112728697/0	27	3	p. 13						
112154330/0	55	2	p. 21	112728697/0	41	2	p. 5						
112154510/0	1	1	p. 37	112728697/0	46	2	p. 5						
112154510/0	5	1	p. 23	112728697/0	49	4	p. 13						
112154510/0	6	2	p. 5	112728697/0	54	3	p. 21						
112154510/0	8	1	p. 11	112735105/0	21	2	p. 23						
112154510/0	10	2	p. 37	112735108/1	5	4	p. 25						
112154510/0	16	2	p. 37	112735669/0	7	2	p. 37						
112154510/0	19	1	p. 37	112737315/0	19	1	p. 25						
112154510/0	32	2	p. 25	112760515/0	7	4	p. 25						
112154510/0	32	2	p. 37	112760515/0	35	1	p. 25						
112154510/0	39	1	p. 37	112789000/0	36	3	p. 19						
112154510/0	41	1	p. 13	112789008/0	27	2	p. 21						
112154510/0	48	1	p. 35	112791500/0	14	2	p. 11						
112154510/0	53	1	p. 35	112791500/0	18	1	p. 37						
112155000/0	6	6	p. 13	112791500/0	31	1	p. 37						
112155000/0	7	1	p. 27	112792099/0	4	1	p. 37						
112155000/0	10	1	p. 11	112792099/0	12	2	p. 37						
112155000/0	11	2	p. 13	112792099/0	36	1	p. 37						
112155000/0	14	1	p. 19	112792410/0	51	1	p. 35						
112155000/0	18	2	p. 9	112793102/0	34	1	p. 15						
112155000/0	22	1	p. 13	112793301/0	44	4	p. 13						
112155000/0	23	1	p. 33	112794300/0	3	1	p. 27						
112155000/0	29	2	p. 27	112794300/0	19	3	p. 15						
112155000/0	35	1	p. 27	112794900/0	13	2	p. 15						
112155000/0	36	2	p. 21	112794900/0	42	1	p. 33						
112155000/0	39	2	p. 27	112815200/0	29	2	p. 5						
112155000/0	50	1	p. 27	112815200/0	59	2	p. 17						
112155000/0	58	1	p. 35	114358460/0	4	1	p. 39						
112155000/0	62	2	p. 17	114367494/2	1	3	p. 39						
112155015/0	42	2	p. 37	114368323/0	3	1	p. 39						
112155015/0	61	1	p. 9	114368429/0	5	1	p. 39						
112292102/0	37	1	p. 37	114368477/0	2	2	p. 39						
112379511/0	5	1	p. 9	125160003/1	57	1	p. 35						
112379511/0	9	2	p. 9	125160027/0	41	2	p. 37						
112379511/0	24	1	p. 27	133320027/0	26	2	p. 23						
112379511/0	43	1	p. 27	133320027/0	31	1	p. 29						
				133320027/0	33	1	p. 25						