



Reservdelskatalog Parts Catalogue

READY/VILLA 85M

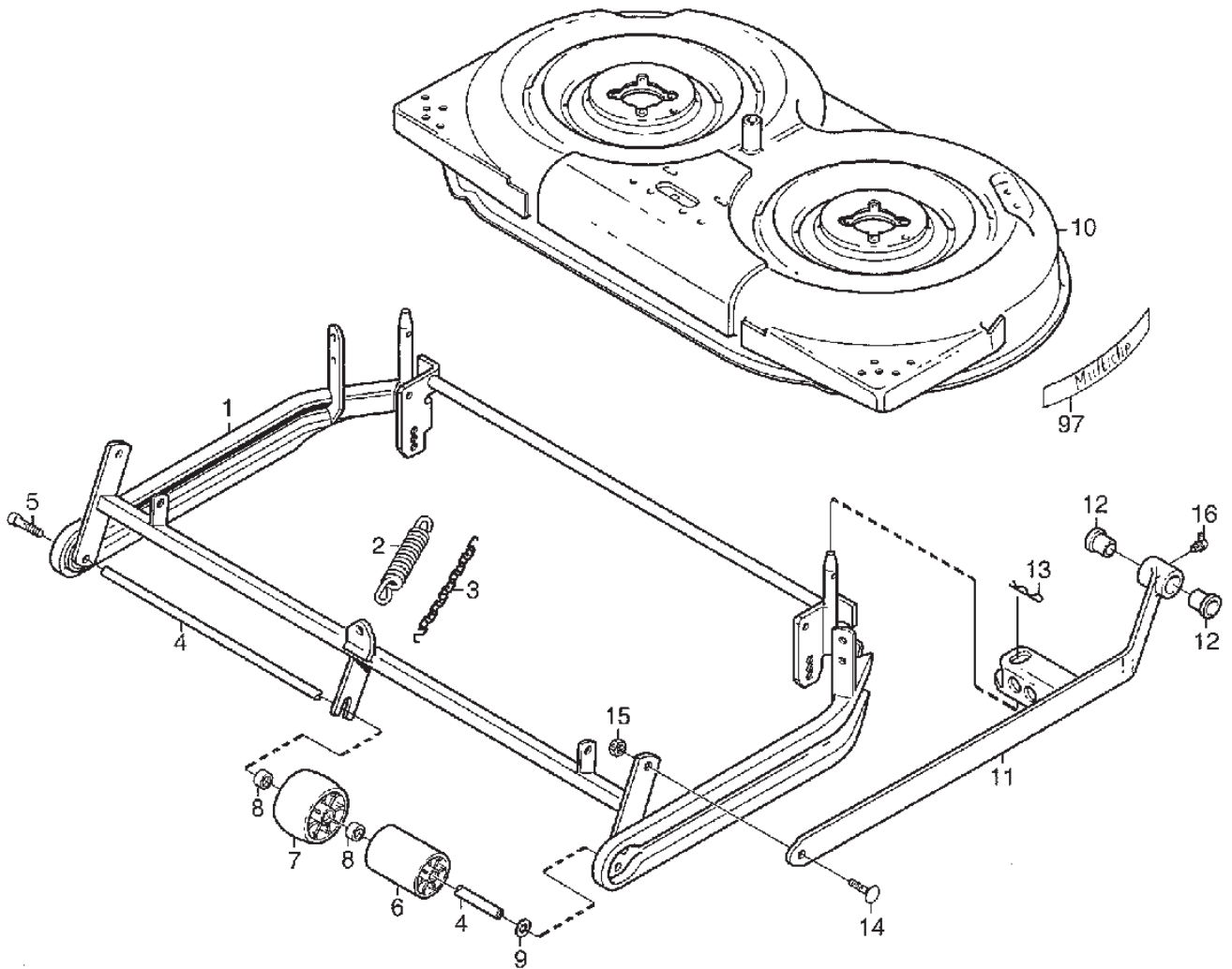
13-2940-17 - Season 2004

- Use GLOBAL GARDEN PRODUCT Genuine Spare Parts specified in the parts list for repair and/or replacement.
 - The contents described in the parts list may change due to improvement.
 - The drawings of the spare parts are only indicative and might not represent the part in question exactly.
 - The indications "right" - "left" - "front" - "rear" refer to the position of the operator when using the machine.
- When placing orders of parts for repair and/or replacement, make sure that the illustrated parts list is the one applying to the machine's year of manufacture, as shown on the identification plate attached to the machine.

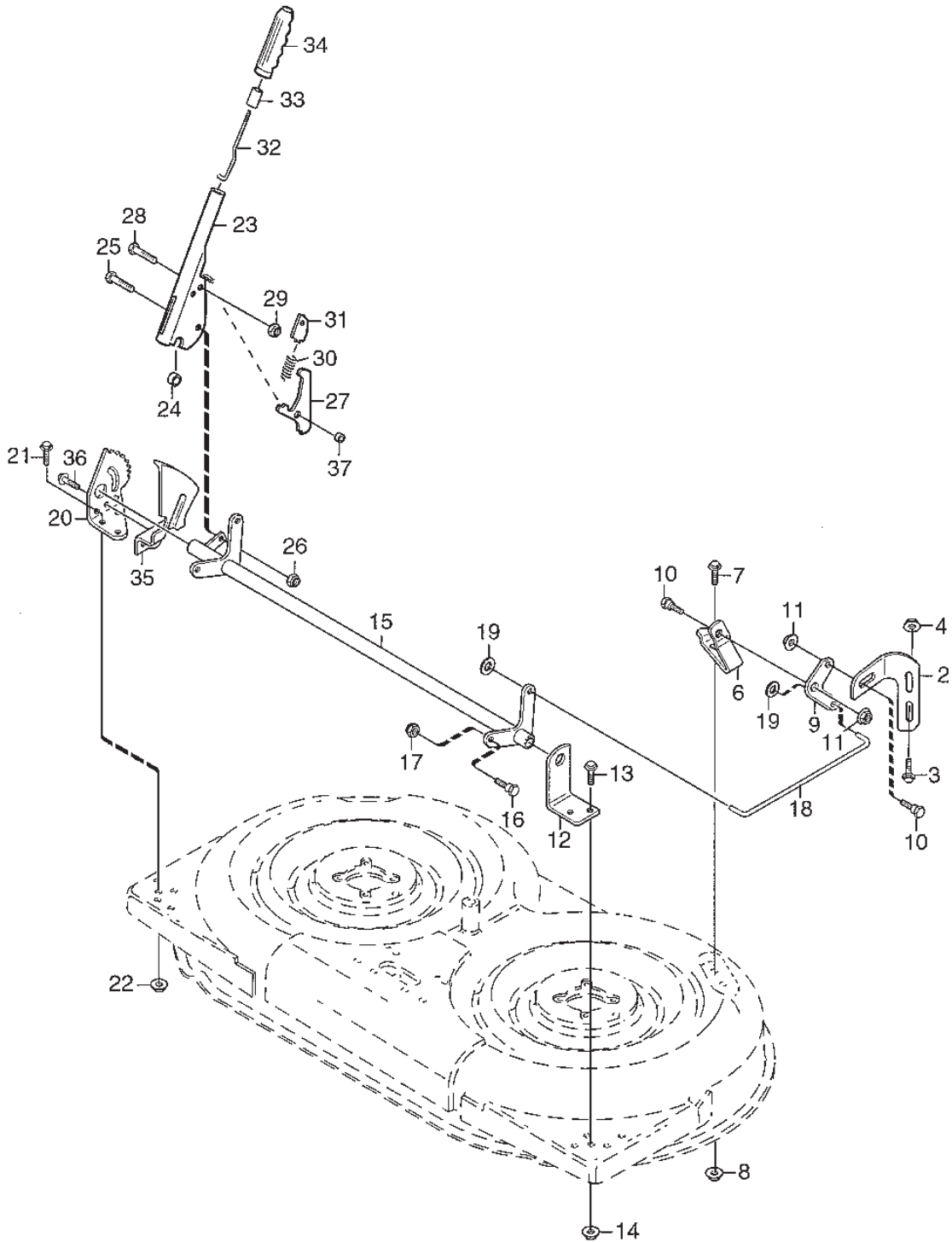
© Copyright 2004 Global Garden Products

All rights reserved. No part of this material may be reproduced or transmitted, in any form or by any means, electronic or mechanical, including photocopying, recording or by any information storage and retrieval system, without permission in writing from GLOBAL GARDEN PRODUCTS.

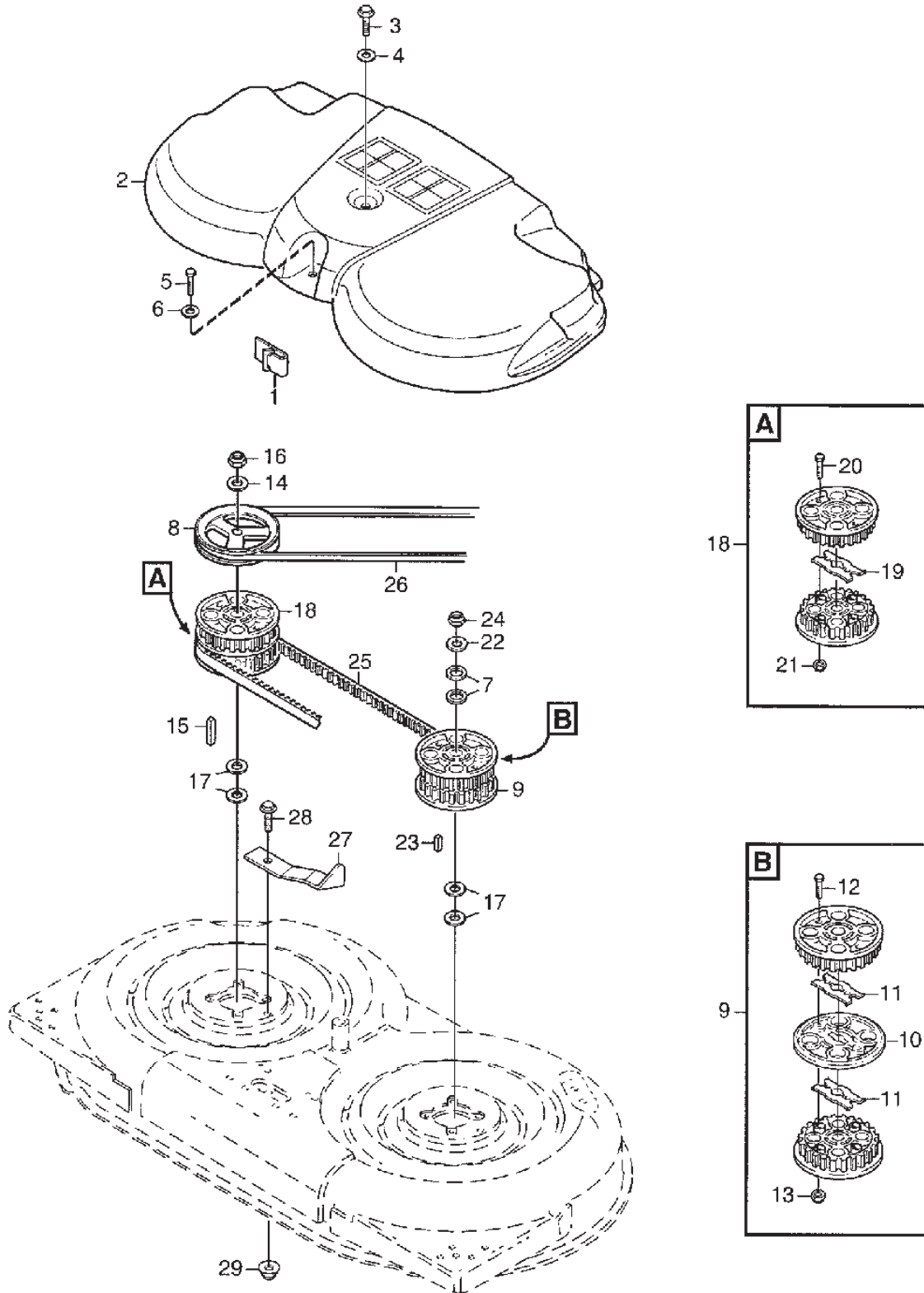
www.stiga.com



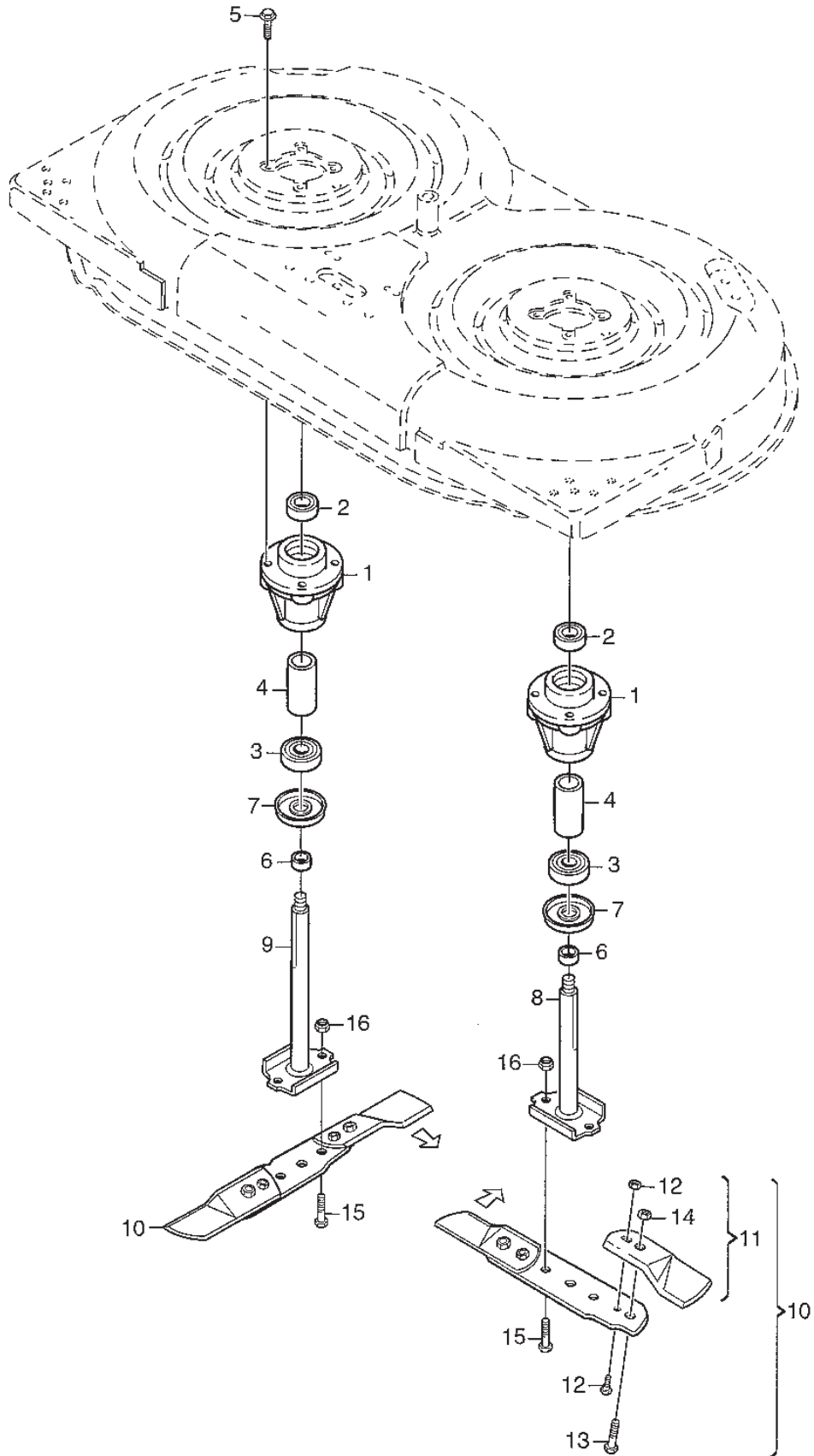
Utgåva Issue 20 - 2015		Ram Mower Deck 85M Frame			
Pos. Fig.	Antal Q.ty	Art nr Part No	Benämning	Description	Anmärkning Notes
1	1	1134-5523-01	Ram Kpl Gul	Frame Yellow	
2	1	1134-5025-01	Fjäder	Spring	
2	1	1134-5625-01	Fjäder	Spring	
3	1	1134-5026-01	Kedja	Chain	
3	1	1134-5026-02	Kedja	Chain	
4	1	1134-0304-05	Axel F. Stödrullar	Shaft	
5	2	9935-1020-16	Skruv	Screw	
6	8	1134-2406-01	Rulle 5-01	Guard Roller	
7	2	1134-2405-01	Stödhjul	Casing Wheel	
8	4	1134-3047-01	Distans	Spacer	
9	2	9699-0104-02	Bricka	Washer	
10	1	1134-3025-01	Kapa Kpl (Gul) 1-00 01	Casing (Yellow)	
11	2	1134-4991-01	Aggregatsarm Kpl 1-00 L02M4	Mover Deck Arm	
12	1	1134-9026-01	Bussning	Bearing	Sats 4 st/Kit of 4
13	2	9598-0003-02	Spring Pin	Spring Pin	
14	2	9898-1035-16	Skruv	Screw	
15	2	9747-1031-02	Mutter	Nut	
16	2	9501-0502-00	Smörjnippel	Grease Joint	
97	2	9402-3523-01	Dekal	Label	
99	1	8211-3039-03	Bruksanvisning	Owner's Manual	Ej ill/not ill.



Utgåva Issue 20 - 2015		Reglage		Controls	
Pos. Fig.	Antal Q.ty	Art nr Part No	Benämning	Description	Anmärkning Notes
1	1	1134-3015-01	Justerstag-Hö	Adjusting Bracket-Rh	Ej ill/not ill.
2	1	1134-3015-01	Justerstag-Hö	Adjusting Bracket-Rh	Ej ill/not ill.
2	1	1134-3015-02	Justerstag-Vä	Adjusting Bracket-Lh	
3	4	9959-0820-16	Skruv	Screw	
4	4	9739-0831-22	Mutter	Nut	
5	1	1134-5056-01	Fäste-Hö (5-01 F24)	Bracket-Rh	Ej ill/not ill.
6	1	1134-5056-01	Fäste-Hö (5-01 F24)	Bracket-Rh	Ej ill/not ill.
6	1	1134-5056-02	Fäste-Vä (5-01 F24)	Bracket-Lh	
7	4	9959-0820-16	Skruv	Screw	
8	4	9739-0831-22	Mutter	Nut	
9	2	1134-2907-03	Pivotplatta 5-01 24	Pivoting Plate	
10	4	1134-0240-00	Skruv	Screw	
11	4	9747-0831-02	Mutter	Nut	
12	1	1134-2411-01	Fäste	Bracket	
13	2	9959-0820-16	Skruv	Screw	
14	2	9739-0831-22	Mutter	Nut	
15	1	1134-3013-01	Axel	Shaft	
16	2	1134-0240-00	Skruv	Screw	
17	2	9747-0831-02	Mutter	Nut	
18	2	1134-1833-02	Stag För Höjdinst	Rod	
19	4	9675-0012-02	Starlock	Locking washer	
20	1	1134-3011-01	Höjdsegment	Height Adjusting Plate	
21	3	9959-0820-16	Skruv	Screw	
22	3	9739-0831-22	Mutter	Nut	
23	1	1134-5215-01	Höjdinställningsspak	Height Adjustment Lever	Inkl. pos 27 - 34, 37
24	1	1134-2427-01	Distans	Spacer	
25	1	9997-0825-16	Skruv	Screw	
26	1	9747-0831-02	Mutter	Nut	
27	1	1134-3010-01	Lassegment	Locking Quadrant	
27	1	1134-3010-02	Lassegment	Locking Quadrant	
28	1	9997-0620-16	Skruv	Screw	
29	1	9747-0631-02	Mutter	Nut	
30	1	1134-3262-01	Fjäder	Spring	
31	1	1134-3009-01	Laskil	Locking Key	
32	1	1134-3041-01	Reglagestang	Control Rod	
33	1	1134-3051-01	Lasratt	Locking Knob	
34	1	9406-0006-00	Handtag 01.100.026 Faca	Handle	
35	1	1134-3026-02	Höjdvisningsplat	Height Adjusting Plate	
36	1	9945-0816-16	Skruv	Screw	
37	1	1134-5114-01	Distans	Spacer	



Utgåva Issue 20 - 2015		Transmission		Mower Deck 85M Transmission	
Pos. Fig.	Antal Q.ty	Art nr Part No	Benämning	Description	Anmärkning Notes
1	3	1134-3632-01	Remstyrning	Belt Guide	
2	1	1134-4983-01	Transmissionskapa	Transmission Cover	
3	1	9942-0850-12	Skruv	Screw	
4	1	9699-0062-02	Bricka	Washer	
5	1	9997-0620-16	Skruv	Screw	
6	1	9699-0100-02	Bricka	Flat washer	
7	2	9699-0104-02	Bricka	Washer	
8	1	1134-4988-01	Remskiva	Belt Pulley	
9	1	1134-3679-02	Kuggremskiva	Toothed Belt Pulley	
10	1	1134-3598-01	Remskivsplatta	Plate-Belt Pulley	
11	2	1134-3597-01	Medbringare	Reinforcement	
12	2	9997-0630-12	Skruv	Screw	
13	2	9747-0631-02	Mutter	Nut	
14	1	1134-5236-01	Bricka	Washer	
15	1	9600-0147-00	Plattkil	Key	L = 40 mm
16	1	1134-4775-01	Mutter	Nut	
17	4	9699-0104-02	Bricka	Washer	
17	5	9699-0104-02	Bricka	Washer	
18	1	1134-3679-01	Kuggremskiva	Toothed Belt Pulley	
19	1	1134-3597-01	Medbringare	Reinforcement	
20	2	9997-0625-16	Skruv	Screw	
21	2	9747-0631-02	Mutter	Nut	
22	1	1134-5236-01	Bricka	Washer	
23	1	1134-0323-01	Plattkil	Key	L = 25 mm
24	1	1134-4775-01	Mutter	Nut	
25	1	9585-0135-01	Kuggrem	Toothed Belt	
26	1	1134-9076-01	Kilrem	V-Belt	= 9585-0134-01
27	1	1134-3014-01	Remspännare 5-01 24	Belt Tensioner	
28	1	9959-0820-16	Skruv	Screw	
29	1	9739-0831-22	Mutter	Nut	



Utgåva Issue 20 - 2015					
Pos. Fig.	Antal Q.ty	Art nr Part No	Benämning	Description	Anmärkning Notes
1	2	1134-3841-01	Lagerbox Kpl.	Bearing Box Assy	
2	1	9549-0019-00	Kullager	Ball Bearing	
3	1	9549-0020-00	Kullager	Ball Bearing	
4	1	1134-0051-05	Distans	Spacer	
5	8	9945-0825-16	Skruv	Screw	
6	2	1134-3725-01	Distans	Spacer	
7	2	1134-3768-01	Skyddsbricka	Bearing Cover	
7	2	1134-5130-01	Skyddsbricka	Bearing Cover	
8	1	1134-4600-01	Knivaxel	Blade Shaft	
9	1	1134-4600-05	Knivaxel	Blade Shaft	
10	1	1134-9080-01	Knivbalk Kpl (85M)	Blade Bar Assy (85M)	Sats 2 st/Kit of 2
11	2	1134-9082-01	Knivsats Kpl	Blade Kit Assy	2 knivar/2 blade tips
12	1	1134-9054-01	Brytbultsats	Shear Bolt Kit	6 bultar/6 bolts+nuts
13	2	9997-0816-16	Skruv	Screw	
14	2	9712-0831-02	Lasmutter	Nut	
15	4	9997-0820-16	Skruv	Screw	
16	4	9747-0831-02	Mutter	Nut	

code	pos.	q.ty	page				
1134-0051-05	4	1	p. 9	9585-0135-01	25	1	p. 7
1134-0240-00	10	4	p. 5	9598-0003-02	13	2	p. 3
1134-0240-00	16	2	p. 5	9600-0147-00	15	1	p. 7
1134-0304-05	4	1	p. 3	9675-0012-02	19	4	p. 5
1134-0323-01	23	1	p. 7	9699-0062-02	4	1	p. 7
1134-1833-02	18	2	p. 5	9699-0100-02	6	1	p. 7
1134-2405-01	7	2	p. 3	9699-0104-02	7	2	p. 7
1134-2406-01	6	8	p. 3	9699-0104-02	9	2	p. 3
1134-2411-01	12	1	p. 5	9699-0104-02	17	4	p. 7
1134-2427-01	24	1	p. 5	9699-0104-02	17	5	p. 7
1134-2907-03	9	2	p. 5	9712-0831-02	14	2	p. 9
1134-3009-01	31	1	p. 5	9739-0831-22	4	4	p. 5
1134-3010-01	27	1	p. 5	9739-0831-22	8	4	p. 5
1134-3010-02	27	1	p. 5	9739-0831-22	14	2	p. 5
1134-3011-01	20	1	p. 5	9739-0831-22	22	3	p. 5
1134-3013-01	15	1	p. 5	9739-0831-22	29	1	p. 7
1134-3014-01	27	1	p. 7	9747-0631-02	13	2	p. 7
1134-3015-01	1	1	p. 5	9747-0631-02	21	2	p. 7
1134-3015-01	2	1	p. 5	9747-0631-02	29	1	p. 5
1134-3015-02	2	1	p. 5	9747-0831-02	11	4	p. 5
1134-3025-01	10	1	p. 3	9747-0831-02	16	4	p. 9
1134-3026-02	35	1	p. 5	9747-0831-02	17	2	p. 5
1134-3041-01	32	1	p. 5	9747-0831-02	26	1	p. 5
1134-3047-01	8	4	p. 3	9747-1031-02	15	2	p. 3
1134-3051-01	33	1	p. 5	9898-1035-16	14	2	p. 3
1134-3262-01	30	1	p. 5	9935-1020-16	5	2	p. 3
1134-3597-01	11	2	p. 7	9942-0850-12	3	1	p. 7
1134-3597-01	19	1	p. 7	9945-0816-16	36	1	p. 5
1134-3598-01	10	1	p. 7	9945-0825-16	5	8	p. 9
1134-3632-01	1	3	p. 7	9959-0820-16	3	4	p. 5
1134-3679-01	18	1	p. 7	9959-0820-16	7	4	p. 5
1134-3679-02	9	1	p. 7	9959-0820-16	13	2	p. 5
1134-3725-01	6	2	p. 9	9959-0820-16	21	3	p. 5
1134-3768-01	7	2	p. 9	9959-0820-16	28	1	p. 7
1134-3841-01	1	2	p. 9	9997-0620-16	5	1	p. 7
1134-4600-01	8	1	p. 9	9997-0620-16	28	1	p. 5
1134-4600-05	9	1	p. 9	9997-0625-16	20	2	p. 7
1134-4775-01	16	1	p. 7	9997-0630-12	12	2	p. 7
1134-4775-01	24	1	p. 7	9997-0816-16	13	2	p. 9
1134-4983-01	2	1	p. 7	9997-0820-16	15	4	p. 9
1134-4988-01	8	1	p. 7	9997-0825-16	25	1	p. 5
1134-4991-01	11	2	p. 3				
1134-5025-01	2	1	p. 3				
1134-5026-01	3	1	p. 3				
1134-5026-02	3	1	p. 3				
1134-5056-01	5	1	p. 5				
1134-5056-01	6	1	p. 5				
1134-5056-02	6	1	p. 5				
1134-5114-01	37	1	p. 5				
1134-5130-01	7	2	p. 9				
1134-5215-01	23	1	p. 5				
1134-5236-01	14	1	p. 7				
1134-5236-01	22	1	p. 7				
1134-5523-01	1	1	p. 3				
1134-5625-01	2	1	p. 3				
1134-9026-01	12	1	p. 3				
1134-9054-01	12	1	p. 9				
1134-9076-01	26	1	p. 7				
1134-9080-01	10	1	p. 9				
1134-9082-01	11	2	p. 9				
8211-3039-03	99	1	p. 3				
9402-3523-01	97	2	p. 3				
9406-0006-00	34	1	p. 5				
9501-0502-00	16	2	p. 3				
9549-0019-00	2	1	p. 9				
9549-0020-00	3	1	p. 9				