



Reservdelskatalog Parts Catalogue

SAND SPREADER Park

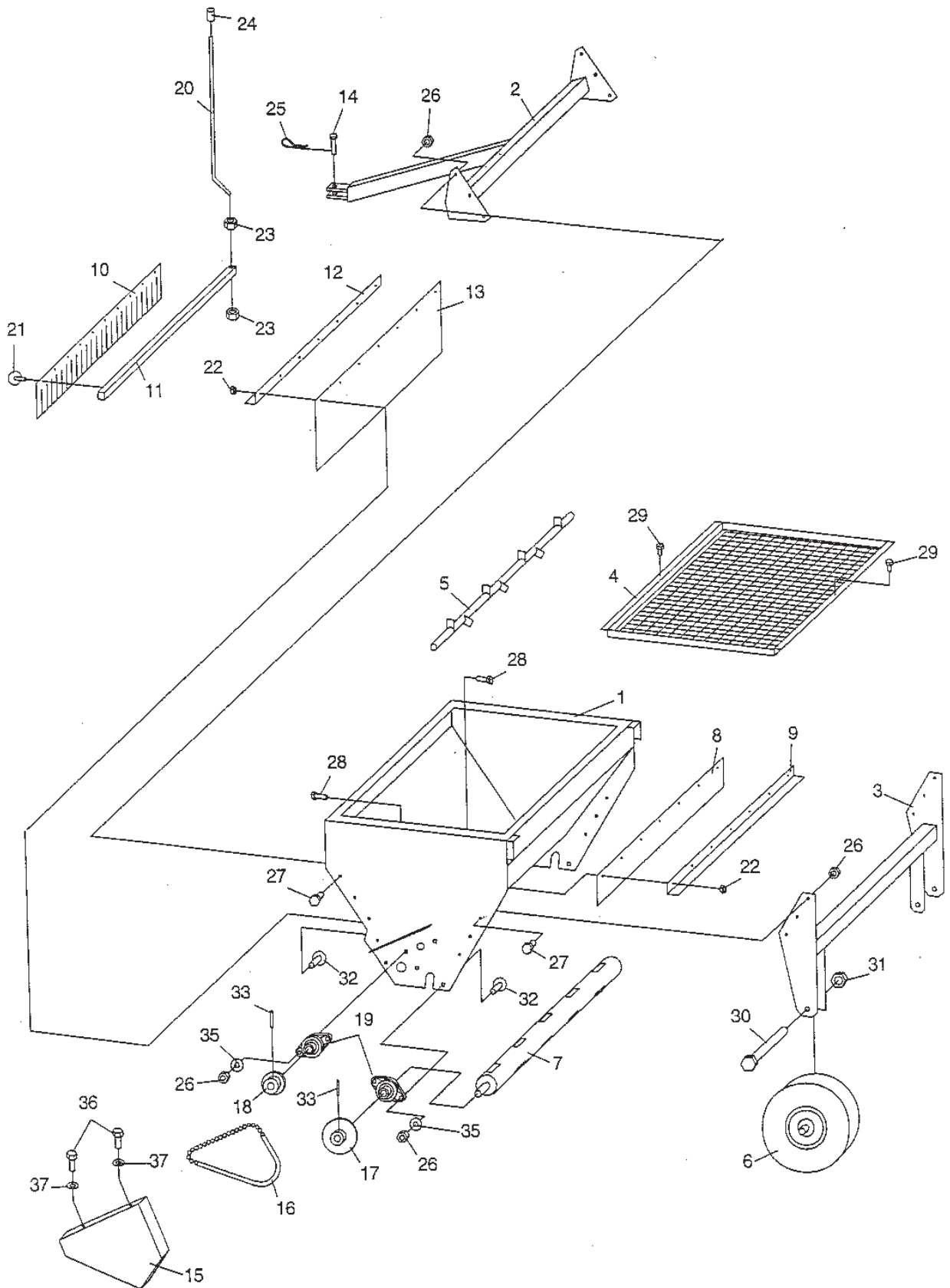
13-1975-14 - Season 2015

- Use GLOBAL GARDEN PRODUCT Genuine Spare Parts specified in the parts list for repair and/or replacement.
 - The contents described in the parts list may change due to improvement.
 - The drawings of the spare parts are only indicative and might not represent the part in question exactly.
 - The indications "right" - "left" - "front" - "rear" refer to the position of the operator when using the machine.
- When placing orders of parts for repair and/or replacement, make sure that the illustrated parts list is the one applying to the machine's year of manufacture, as shown on the identification plate attached to the machine.

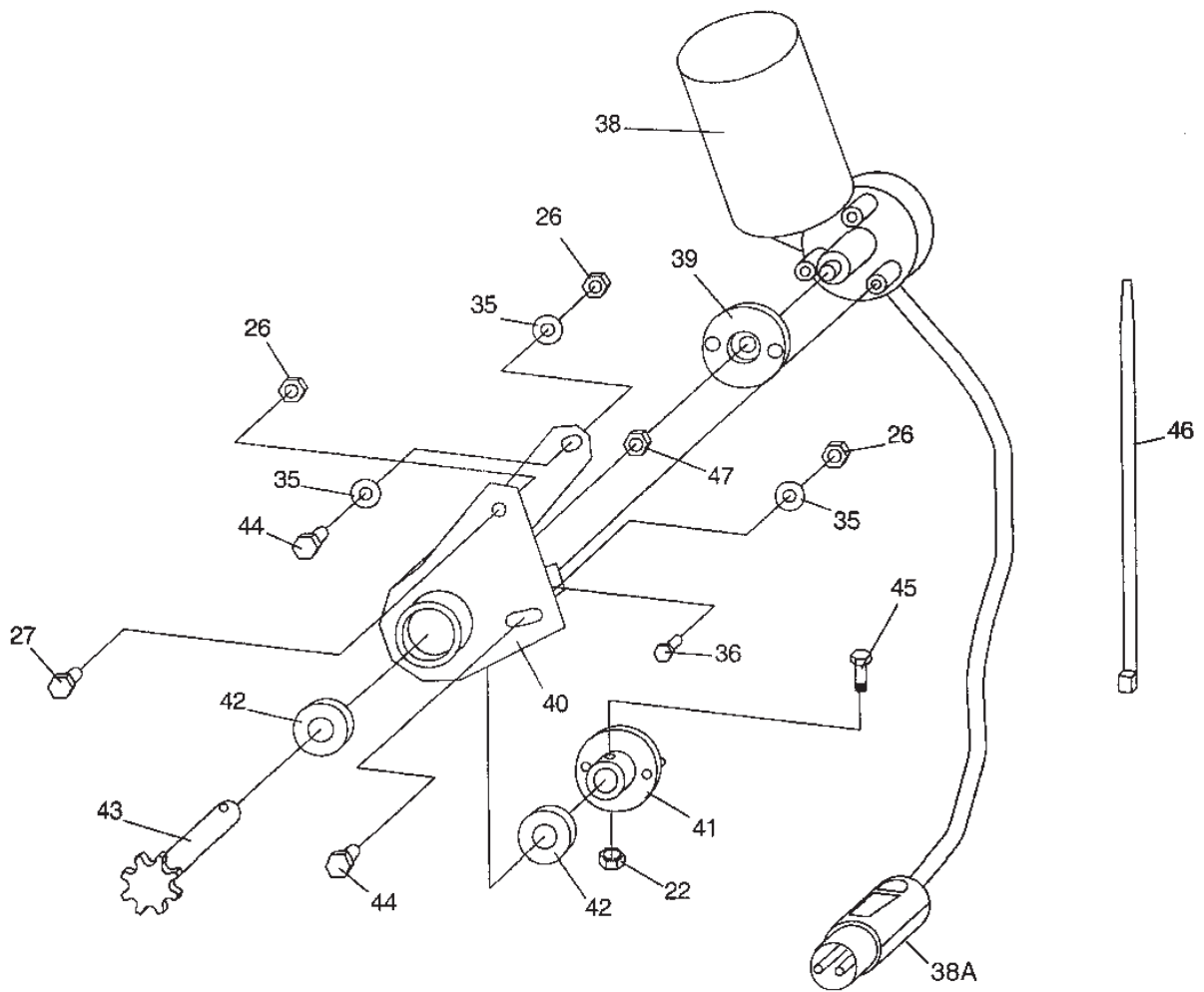
© Copyright 2015 Global Garden Products

All rights reserved. No part of this material may be reproduced or transmitted, in any form or by any means, electronic or mechanical, including photocopying, recording or by any information storage and retrieval system, without permission in writing from GLOBAL GARDEN PRODUCTS.

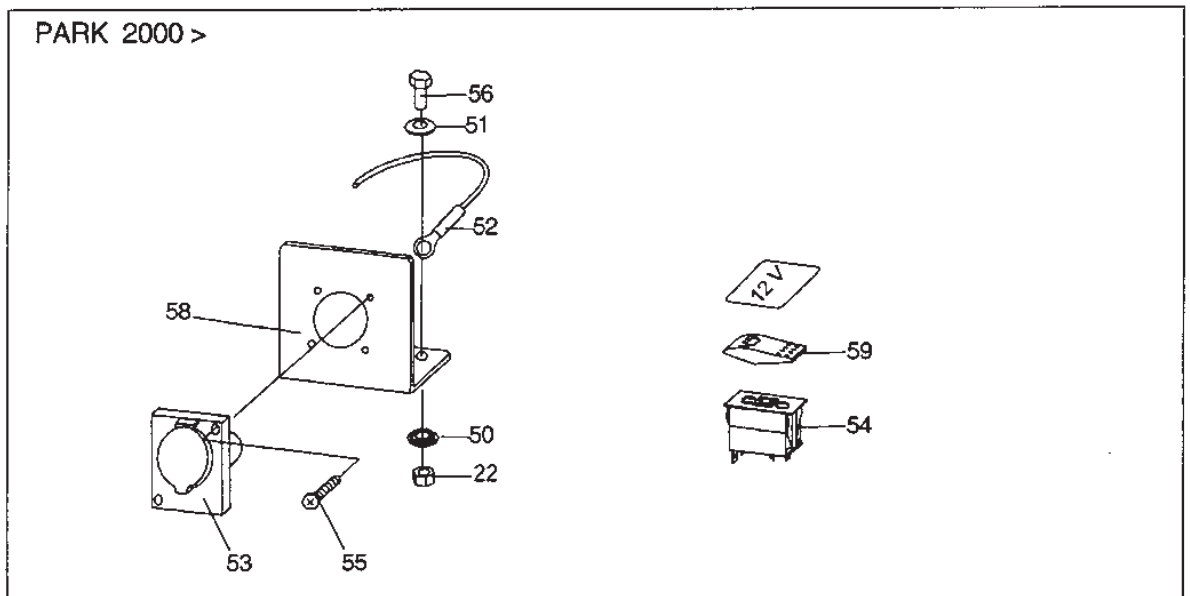
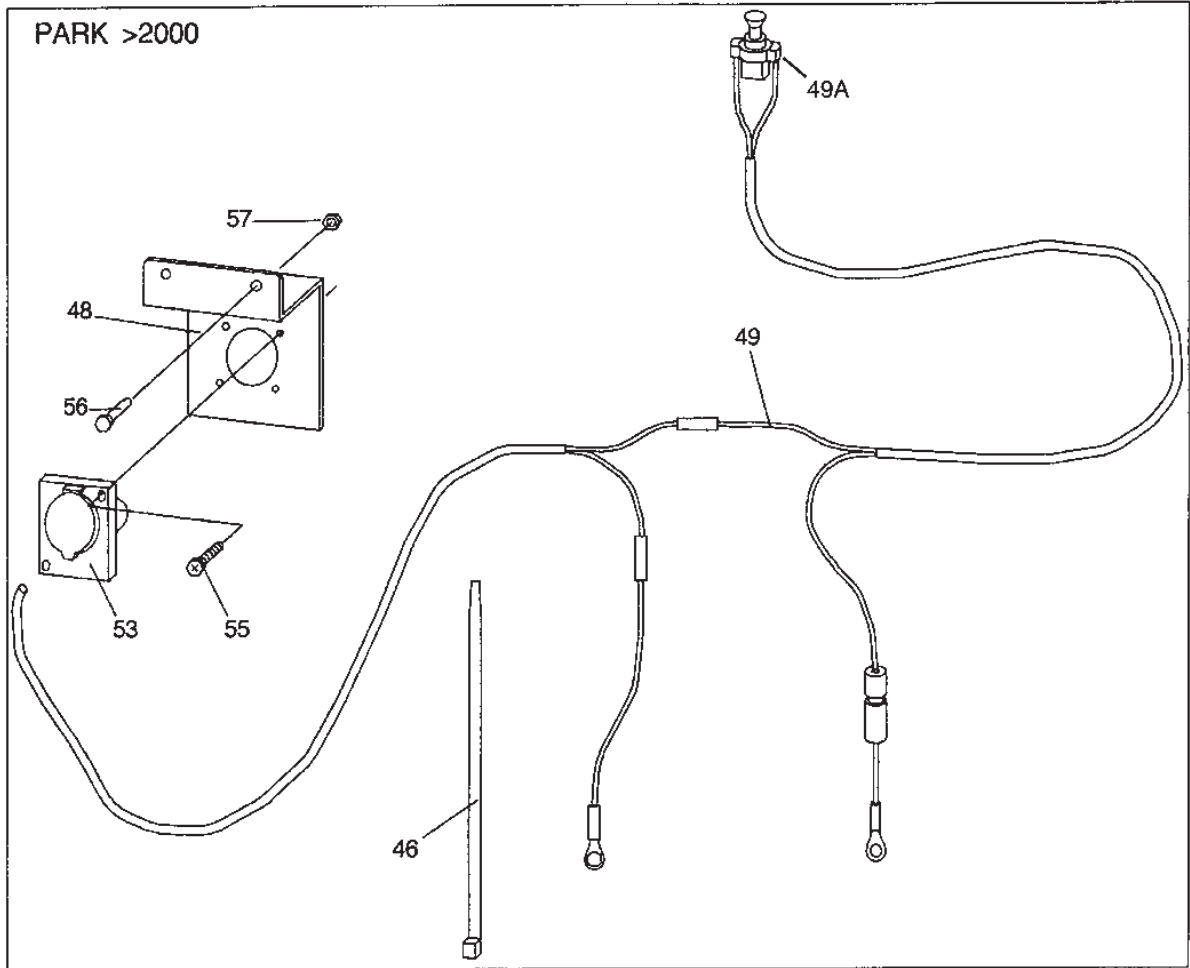
www.stiga.com



Utgåva Issue 17 - 2015		Chassie Chassis			
Pos. Fig.	Antal Q.ty	Art nr Part No	Benämning	Description	Anmärkning Notes
1	1	1319-1666-01	Behållare	Container	
2	1	1319-1667-01	Dragkrok	Towing Bar	
3	1	1319-1668-01	Stödhjulsram	Wheel Support	
4	1	1319-1669-01	Skydd	Guard	
5	1	1319-1670-01	Axel	Shaft	
6	2	1319-1606-01	Stödhjul	Pivot Wheel	
7	1	1319-1671-01	Axel	Shaft	
8	1	1319-1672-01	Gummiduk	Rubber	
9	1	1319-1673-01	Stödlist	Support Plate	
10	1	1319-1674-01	Fjäderplatta	Spring Blade	
11	1	1319-1675-01	Rör	Tube	
12	1	1319-1676-01	Stödlist	Support Plate	
13	1	1319-1677-01	Gummiduk	Rubber	
14	1	1319-1678-01	Sprint	Hitch Pin	
15	1	1319-1679-01	Kedjeskydd	Chain Guard	
16	1	1319-1680-01	Kedja	Drive Chain	
17	1	1319-1681-01	Kedjedrev	Chain Wheel	
18	1	1319-1682-01	Kedjedrev	Chain Wheel	
19	4	1319-1665-01	Flänslager	Flange Bearing	
20	1	1319-1683-01	Reglagespak	Control Shaft	
21	10	1319-1693-01	Popnit	Pop Rivet	
22	14	9747-0631-02	Mutter Lasmutter	Nut	
23	2	9747-1031-02	Mutter Lasmutter	Nut	
24	1	1319-1691-01	Plastknopp	Plastic Plug	
25	1	1319-1692-01	Lasnal	Spring Pin	
26	20	9747-0831-02	Mutter Lasmutter	Nut	
27	12	9997-0816-16	Skruv	Screw	
28	14	9997-0620-16	Skruv	Screw	
28	14	9997-0820-16	Skruv	Screw	
28	14	9997-0620-16	Skruv	Screw	
28	14	9997-0820-16	Skruv	Screw	
29	2	9849-8013-16	Skruv	Screw	
30	2	1319-1694-01	Skruv	Screw	
31	2	9747-1231-02	Mutter	Nut	
32	8	9898-0830-16	Skruv	Screw	
33	2	9595-0270-00	Spiralspnst Prym N6X40	Locating Pin	
35	8	9699-0028-02	Bricka	Washer	
36	4	9997-0612-16	Skruv	Screw	
37	2	9699-0085-02	Bricka	Washer	



Utgåva Issue 17 - 2015		Sandströare Sandspreader			
Pos. Fig.	Antal Q.ty	Art nr Part No	Benämning	Description	Anmärkning Notes
22	1	9747-0631-02	Mutter Lasmutter	Nut	
26	3	9747-0831-02	Mutter Lasmutter	Nut	
27	1	9997-0816-16	Skruv	Screw	
35	3	9699-0028-02	Bricka	Washer	
36	1	9997-0612-16	Skruv	Screw	
38	1	1134-4057-01	Hankontakt	Male Terminal	
38	1	1319-1791-01	Elmotor	Electric Motor	
39	1	1319-1684-01	Axelkoppling	Shaft Coupling	
40	1	1319-1685-01	Drivaxelhus	Drive Shaft Housing	
41	1	1319-1686-01	Axelkoppling	Shaft Coupling	
42	2	1483-0077-01	Kullager	Ball Bearing	
43	1	1319-1687-01	Drivaxel	Drive Shaft	
44	2	9997-0820-16	Skruv	Screw	
45	1	9997-0630-12	Skruv	Screw	
46	3	9579-0003-00	Bunband Kablage Buntband	Cable Cable harness Cable Holder	
47	1	9799-0831-02	Mutter	Nut	



Utgåva Issue 17 - 2015		Sandströare Sandspreader			
Pos. Fig.	Antal Q.ty	Art nr Part No	Benämning	Description	Anmärkning Notes
22	2	9747-0631-02	Mutter Lasmutter	Nut	
46	10	9579-0003-00	Bunband Kablage Buntband	Cable Cable harness Cable Holder	
48	1	1319-1796-01	Fästplatta	Mounting Plate	-1999
49	1	9400-0063-00	Brytare	Switch	
49	1	1319-1792-01	Kabelhärva	Cable Harness	-1999
50	1	1319-1793-01	Bricka	Washer	
51	1	9699-0025-02	Bricka	Washer	
52	1	1319-1794-01	Kabel	El.Wire	2000 -
53	1	1134-4056-01	Honkontakt Selv 12 V Dc 42-101-42	Female Terminal	
54	1	9400-0283-01	Bunband Brytare	Cable holder Switch	2000 -
55	2	9849-7809-16	Skruv	Screw	
56	2	9997-0616-16	Skruv	Screw	
57	2	9747-0631-02	Mutter Lasmutter	Nut	
58	1	1319-1795-01	Fästplatta	Mounting Plate	2000 -
59	1	9400-0280-05	Brytare Vippa rödskap 12V	Switch Switch Cover-12V	2000 -

code	pos.	q.ty	page				
1134-4056-01	53	1	p. 7	9997-0816-16	27	12	p. 3
1134-4057-01	38	1	p. 5	9997-0820-16	28	14	p. 3
1319-1606-01	6	2	p. 3	9997-0820-16	28	14	p. 3
1319-1665-01	19	4	p. 3	9997-0820-16	44	2	p. 5
1319-1666-01	1	1	p. 3				
1319-1667-01	2	1	p. 3				
1319-1668-01	3	1	p. 3				
1319-1669-01	4	1	p. 3				
1319-1670-01	5	1	p. 3				
1319-1671-01	7	1	p. 3				
1319-1672-01	8	1	p. 3				
1319-1673-01	9	1	p. 3				
1319-1674-01	10	1	p. 3				
1319-1675-01	11	1	p. 3				
1319-1676-01	12	1	p. 3				
1319-1677-01	13	1	p. 3				
1319-1678-01	14	1	p. 3				
1319-1679-01	15	1	p. 3				
1319-1680-01	16	1	p. 3				
1319-1681-01	17	1	p. 3				
1319-1682-01	18	1	p. 3				
1319-1683-01	20	1	p. 3				
1319-1684-01	39	1	p. 5				
1319-1685-01	40	1	p. 5				
1319-1686-01	41	1	p. 5				
1319-1687-01	43	1	p. 5				
1319-1691-01	24	1	p. 3				
1319-1692-01	25	1	p. 3				
1319-1693-01	21	10	p. 3				
1319-1694-01	30	2	p. 3				
1319-1791-01	38	1	p. 5				
1319-1792-01	49	1	p. 7				
1319-1793-01	50	1	p. 7				
1319-1794-01	52	1	p. 7				
1319-1795-01	58	1	p. 7				
1319-1796-01	48	1	p. 7				
1483-0077-01	42	2	p. 5				
9400-0063-00	49	1	p. 7				
9400-0280-05	59	1	p. 7				
9400-0283-01	54	1	p. 7				
9579-0003-00	46	3	p. 5				
9579-0003-00	46	10	p. 7				
9595-0270-00	33	2	p. 3				
9699-0025-02	51	1	p. 7				
9699-0028-02	35	3	p. 5				
9699-0028-02	35	8	p. 3				
9699-0085-02	37	2	p. 3				
9747-0631-02	22	1	p. 5				
9747-0631-02	22	2	p. 7				
9747-0631-02	22	14	p. 3				
9747-0631-02	57	2	p. 7				
9747-0831-02	26	3	p. 5				
9747-0831-02	26	20	p. 3				
9747-1031-02	23	2	p. 3				
9747-1231-02	31	2	p. 3				
9799-0831-02	47	1	p. 5				
9849-7809-16	55	2	p. 7				
9849-8013-16	29	2	p. 3				
9898-0830-16	32	8	p. 3				
9997-0612-16	36	1	p. 5				
9997-0612-16	36	4	p. 3				
9997-0616-16	56	2	p. 7				
9997-0620-16	28	14	p. 3				
9997-0620-16	28	14	p. 3				
9997-0630-12	45	1	p. 5				
9997-0816-16	27	1	p. 5				