



## ***Reservdelskatalog Parts Catalogue***

# ***SNOW BLADE 107cm Universal***

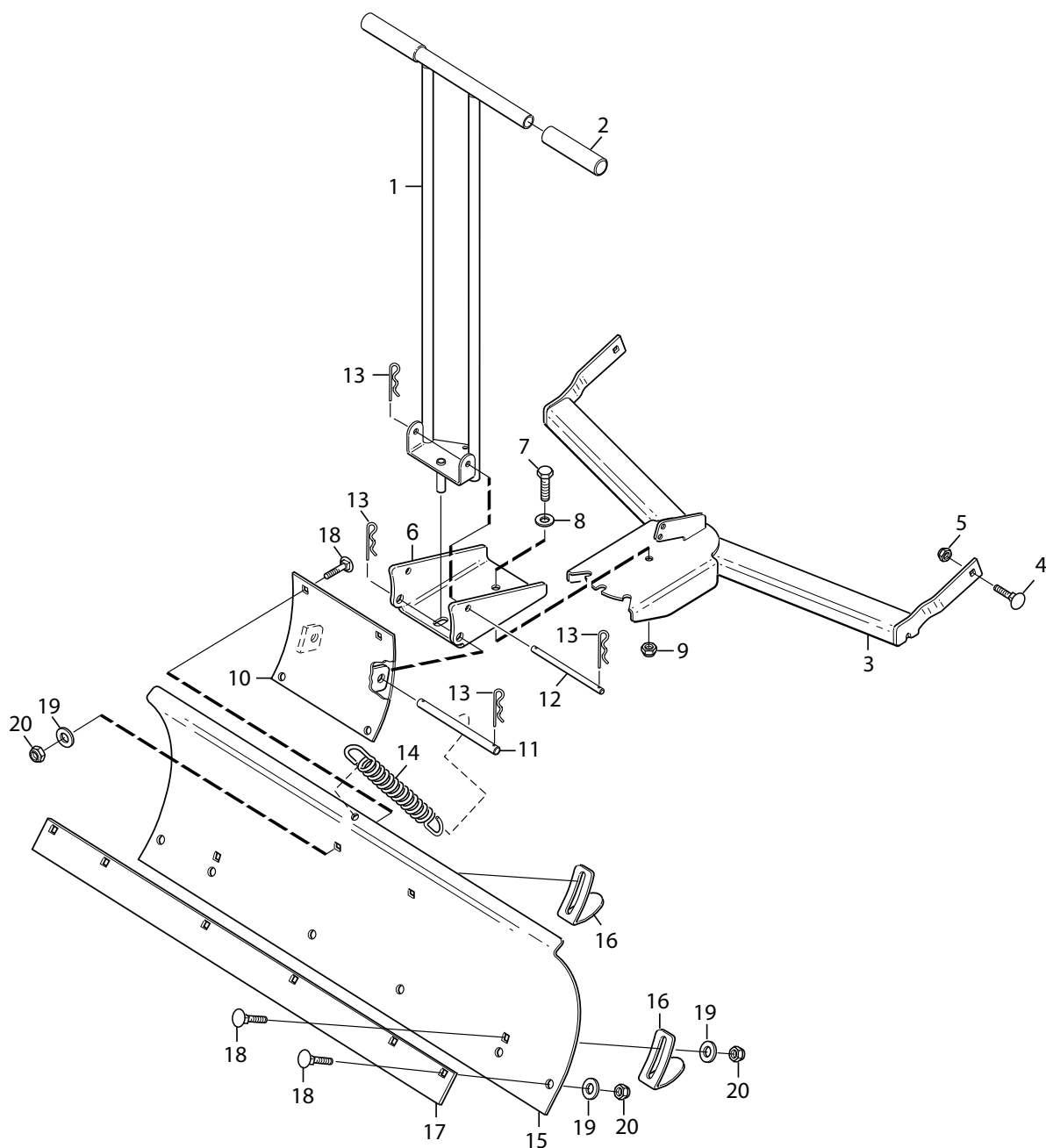
***13-3922-61 - Season 2015***

- Use GLOBAL GARDEN PRODUCT Genuine Spare Parts specified in the parts list for repair and/or replacement.
  - The contents described in the parts list may change due to improvement.
  - The drawings of the spare parts are only indicative and might not represent the part in question exactly.
  - The indications "right" - "left" - "front" - "rear" refer to the position of the operator when using the machine.
- When placing orders of parts for repair and/or replacement, make sure that the illustrated parts list is the one applying to the machine's year of manufacture, as shown on the identification plate attached to the machine.

© Copyright 2015 Global Garden Products

All rights reserved. No part of this material may be reproduced or transmitted, in any form or by any means, electronic or mechanical, including photocopying, recording or by any information storage and retrieval system, without permission in writing from GLOBAL GARDEN PRODUCTS.

*[www.stiga.com](http://www.stiga.com)*



Snöblad 107cm

Utgåva Issue 17 - 2015		Snöblad		Snow blade	
Pos. Fig.	Antal Q.ty	Art nr Part No	Benämning	Description	Anmärkning Notes
1	1	1319-0683-01	Handtag	Handle	
2	2	1319-0685-01	Handtag	Handle	
3	1	1319-0684-01	Attachment assy	Attachment assy	
4	2	9897-1035-16			
5	2	9739-1031-22	Mutter	Nut	
6	1	1319-0679-01	Fäste	Bracket	
7	1	9997-1640-12			
8	1	9699-0104-02	Bricka	Washer	
9	1	9747-1631-02	Mutter	Nut	
10	1	1319-0682-01	Fäste	Bracket	
11	1	1319-0689-01	Axel	Shaft	
12	1	1319-0690-01	Axel	Shaft	
13	4	9598-0001-02	Låsnål	Cotter Pin	
14	1	1319-0688-01	Fjäder	Spring	
15	1	1319-0680-01	Snow Blade	Snow Blade	
16	2	1319-0686-01	Släpsko	Skid Shoe	
17	1	1319-0681-01	Skrapskär	Scraper Blade	
18	10	9897-0825-16	Skruv	Screw	
19	10	9699-0035-02	Bricka	Washer	
20	10	9747-0831-22			

<b>code</b>	<b>pos.</b>	<b>q.ty</b>	<b>page</b>
1319-0679-01	6	1	p. 3
1319-0680-01	15	1	p. 3
1319-0681-01	17	1	p. 3
1319-0682-01	10	1	p. 3
1319-0683-01	1	1	p. 3
1319-0684-01	3	1	p. 3
1319-0685-01	2	2	p. 3
1319-0686-01	16	2	p. 3
1319-0688-01	14	1	p. 3
1319-0689-01	11	1	p. 3
1319-0690-01	12	1	p. 3
9598-0001-02	13	4	p. 3
9699-0035-02	19	10	p. 3
9699-0104-02	8	1	p. 3
9739-1031-22	5	2	p. 3
9747-0831-22	20	10	p. 3
9747-1631-02	9	1	p. 3
9897-0825-16	18	10	p. 3
9897-1035-16	4	2	p. 3
9997-1640-12	7	1	p. 3