



## **Reservdelskatalog Parts Catalogue**

# ***SNOW THROWER Park 2+4WD***

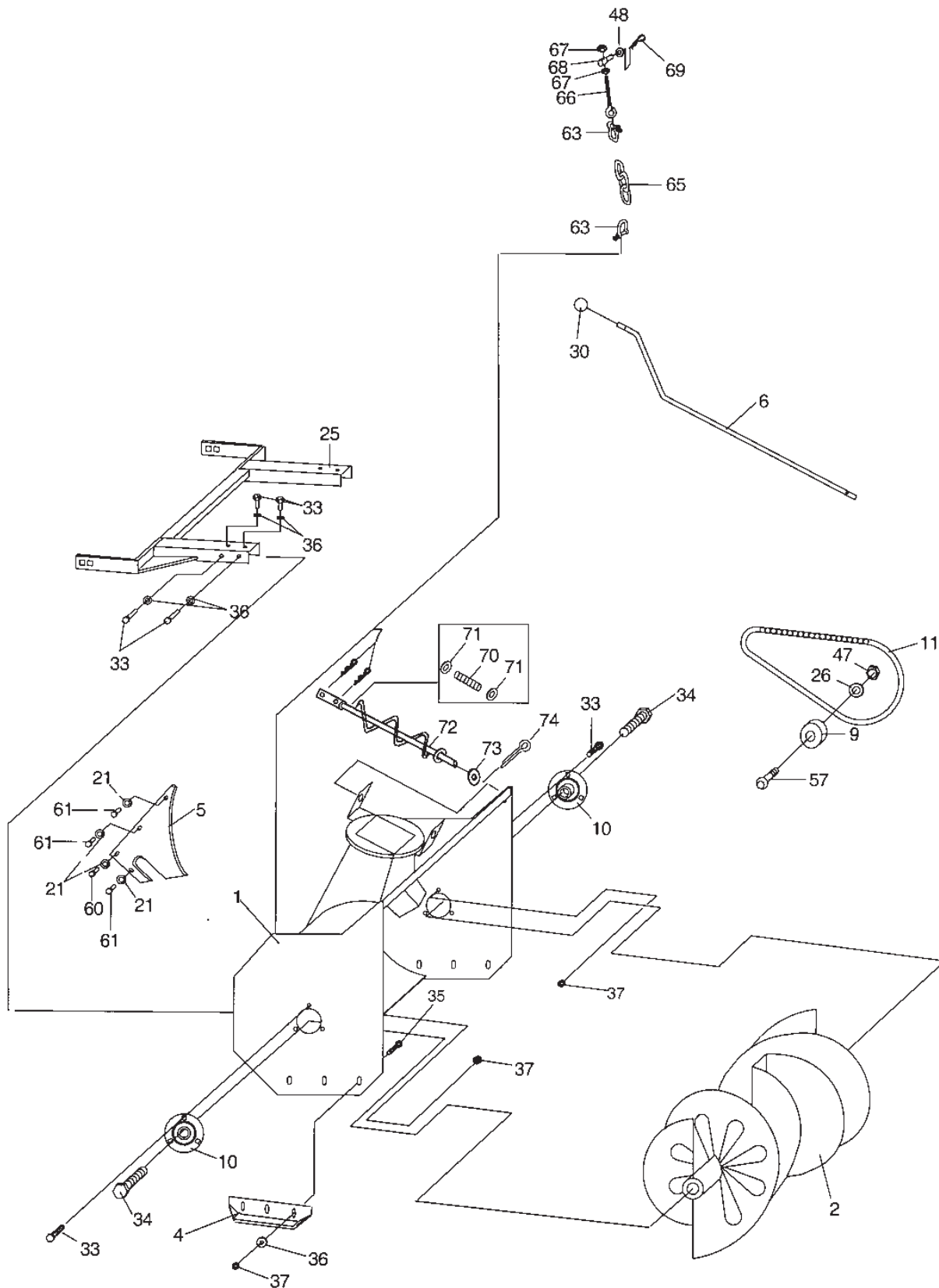
**13-0974-11 - Season 2015**

- Use GLOBAL GARDEN PRODUCT Genuine Spare Parts specified in the parts list for repair and/or replacement.
  - The contents described in the parts list may change due to improvement.
  - The drawings of the spare parts are only indicative and might not represent the part in question exactly.
  - The indications "right" - "left" - "front" - "rear" refer to the position of the operator when using the machine.
- When placing orders of parts for repair and/or replacement, make sure that the illustrated parts list is the one applying to the machine's year of manufacture, as shown on the identification plate attached to the machine.

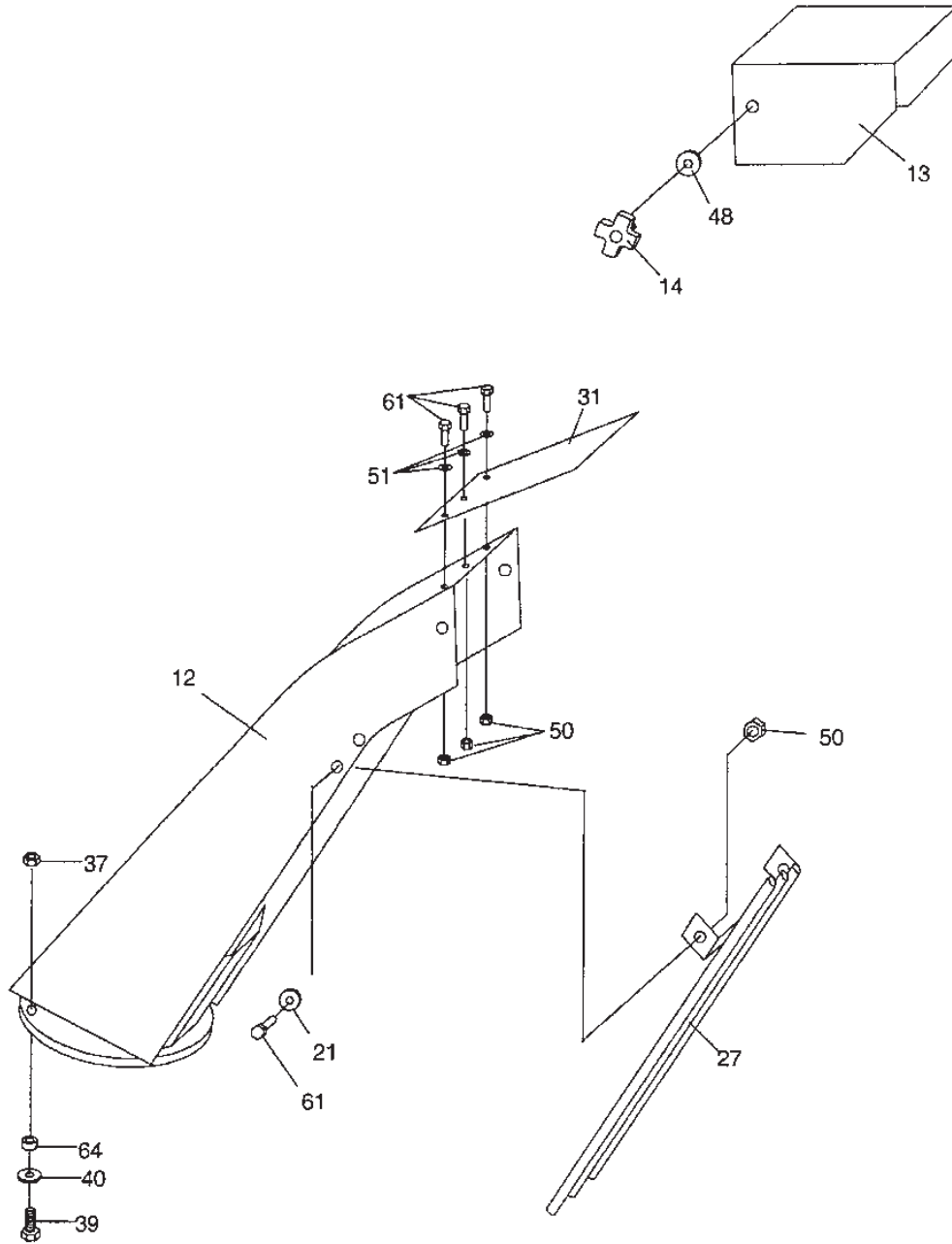
© Copyright 2015 Global Garden Products

All rights reserved. No part of this material may be reproduced or transmitted, in any form or by any means, electronic or mechanical, including photocopying, recording or by any information storage and retrieval system, without permission in writing from GLOBAL GARDEN PRODUCTS.

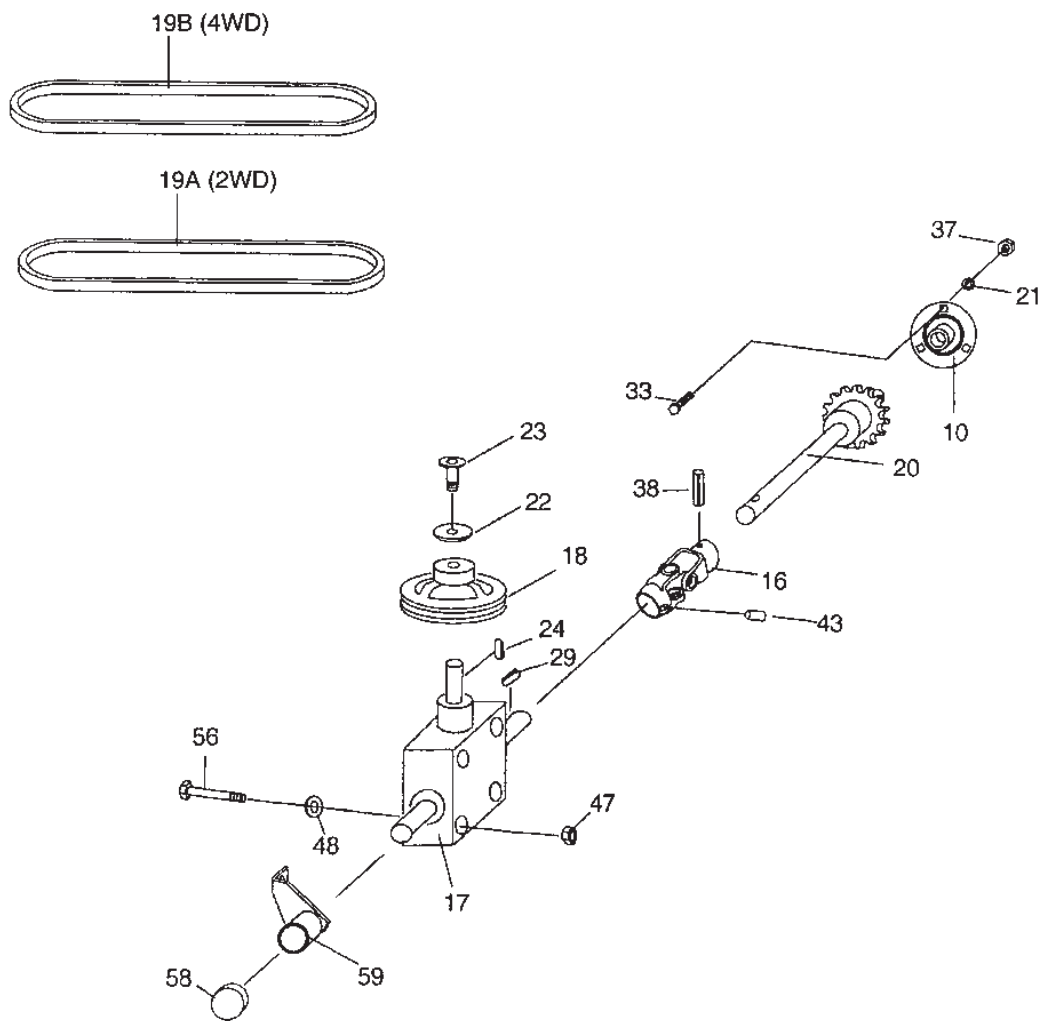
*[www.stiga.com](http://www.stiga.com)*



Utgåva Issue 17 - 2015		Snöslunga		Snow thrower	
Pos. Fig.	Antal Q.ty	Art nr Part No	Benämning	Description	Anmärkning Notes
1	1	1319-1888-01	Inmatningshus	Auger Housing	
2	1	1319-1906-01	Snöskruv	Auger	
4	2	1319-1503-01	Släpsko	Skid Plate	
5	1	1319-1894-01	Skydd	Guard	
6	1	1319-1889-01	Inställningsvev	Control Rod	
7	2	9598-0002-02	Spännstift	Elastic Pin	
9	1	1319-1896-01	Kedjespännare	Chain Tightener	
10	2	1319-1539-01	Lager	Bearing	
11	1	1319-1890-01	Drivkedja	Drive Chain	
21	4	9699-0025-02	Bricka	Washer	
25	1	1319-1892-01	Ram	Frame	
26	1	1319-1899-01	Bricka	Washer	
30	1	1319-1698-01	Handtag	Grip	
33	10	9997-0816-16	Skruv	Screw	
34	2	1319-1774-01	Skruv	Screw	
35	6	9898-0816-16	Skruv	Screw	
36	20	9699-0028-02	Bricka	Washer	
37	10	9747-0831-02	Mutter   Lasmutter	Nut	
47	1	9747-1031-02	Mutter   Lasmutter	Nut	
48	1	9699-0035-02	Bricka	Washer	
57	1	1319-1898-01	Skruv	Screw	
60	1	9959-0612-16	Skruv	Screw	
61	3	9997-0612-16	Skruv	Screw	
63	2	1134-2629-01	Schackel	Lift Link	
65	1	1319-1897-01	Lyftkedja	Lift Chain	
66	1	9405-0031-00	Skruvögla M8 X 80 Fz	Eye-Bolt	
67	2	9799-0831-02	Mutter	Nut	
68	1	1134-0576-00	Kill	Key	
69	1	9598-0003-02	Spring Pin	Spring Pin	
70	1	1319-1908-01	Fjäder	Spring	
71	2	9699-0104-02	Bricka	Washer	
72	1	1319-1971-01	Skruv	Screw	
73	1	9699-0037-02	Bricka	Washer	
74	1	9599-0083-02	SaxSprint 4X25 Fz	Split Pin	



Utgåva Issue 17 - 2015		Utkast Discharge chute			
Pos. Fig.	Antal Q.ty	Art nr Part No	Benämning	Description	Anmärkning Notes
12	1	1319-1895-01	Utkaströr	Discharge Pipe	
13	1	1319-1502-01	Utkastskärm	Chute	
14	2	1319-1900-01	Justerratt	Knob	
21	2	9699-0025-02	Bricka	Washer	
27	1	1319-1893-01	Utkastskydd	Discharge Guard	
31	1	1319-1524-01	Gummiskydd	Rubber	
37	5	9747-0831-02	Mutter   Lasmutter	Nut	
39	5	9997-0825-16	Skruv	Screw	
40	5	9699-0062-02	Bricka	Washer	
48	1	9699-0035-02	Bricka	Washer	
50	5	9747-0631-02	Mutter   Lasmutter	Nut	
51	3	9699-0085-02	Bricka	Washer	
61	5	9997-0612-16	Skruv	Screw	
64	5	1319-1504-01	Distans	Collar	



Utgåva Issue 17 - 2015		Utkast Discharge chute			
Pos. Fig.	Antal Q.ty	Art nr Part No	Benämning	Description	Anmärkning Notes
10	1	1319-1539-01	Lager	Bearing	
10	2	1489-0129-01	Skruv	Screw	Ej ill/not ill.
16	1	1319-1854-01	LedkMutter	Universal Joint	
17	1	1319-1856-01	Vinkelväxel	Angle Gearbox	
18	1	1319-1855-01	Remskiva	Belt Pulley	
19	1	1134-9095-01	Drivrem	Drive Belt	= 9585-0145-01
19	1	1134-9096-01	Drivrem	Drive Belt	= 9585-0149-01
20	1	1319-1891-01	Drivaxel	Drive Shaft	
21	3	9699-0025-02	Bricka	Washer	
22	1	1319-1879-01	Bricka	Washer	
23	1	1319-1883-01	Skruv	Screw	
24	1	1319-1884-01	Kil	Key	8 x 7 x 20
29	1	1319-1903-01	Kil	Key	8 x 7 x 30
33	3	9997-0816-16	Skruv	Screw	
37	3	9747-0831-02	Mutter   Lasmutter	Nut	
38	1	1319-1881-01	Fjäderpinne	Spring Pin	
43	1	1319-1880-01	Skruv	Screw	
47	4	9747-1031-02	Mutter   Lasmutter	Nut	
48	4	9699-0035-02	Bricka	Washer	
56	4	9997-1012-02	Skruv	Screw	
58	1	1319-1860-01	Dammskydd	Dust Cap	
59	1	1319-1864-01	Axelskydd	Shaft Guard	

code	pos.	q.ty	page				
1134-0576-00	68	1	p. 3	9997-0816-16	33	3	p. 7
1134-2629-01	63	2	p. 3	9997-0816-16	33	10	p. 3
1134-9095-01	19	1	p. 7	9997-0825-16	39	5	p. 5
1134-9096-01	19	1	p. 7	9997-1012-02	56	4	p. 7
1319-1502-01	13	1	p. 5				
1319-1503-01	4	2	p. 3				
1319-1504-01	64	5	p. 5				
1319-1524-01	31	1	p. 5				
1319-1539-01	10	1	p. 7				
1319-1539-01	10	2	p. 3				
1319-1698-01	30	1	p. 3				
1319-1774-01	34	2	p. 3				
1319-1854-01	16	1	p. 7				
1319-1855-01	18	1	p. 7				
1319-1856-01	17	1	p. 7				
1319-1860-01	58	1	p. 7				
1319-1864-01	59	1	p. 7				
1319-1879-01	22	1	p. 7				
1319-1880-01	43	1	p. 7				
1319-1881-01	38	1	p. 7				
1319-1883-01	23	1	p. 7				
1319-1884-01	24	1	p. 7				
1319-1888-01	1	1	p. 3				
1319-1889-01	6	1	p. 3				
1319-1890-01	11	1	p. 3				
1319-1891-01	20	1	p. 7				
1319-1892-01	25	1	p. 3				
1319-1893-01	27	1	p. 5				
1319-1894-01	5	1	p. 3				
1319-1895-01	12	1	p. 5				
1319-1896-01	9	1	p. 3				
1319-1897-01	65	1	p. 3				
1319-1898-01	57	1	p. 3				
1319-1899-01	26	1	p. 3				
1319-1900-01	14	2	p. 5				
1319-1903-01	29	1	p. 7				
1319-1906-01	2	1	p. 3				
1319-1908-01	70	1	p. 3				
1319-1971-01	72	1	p. 3				
1489-0129-01	10	2	p. 7				
9405-0031-00	66	1	p. 3				
9598-0002-02	7	2	p. 3				
9598-0003-02	69	1	p. 3				
9599-0083-02	74	1	p. 3				
9699-0025-02	21	2	p. 5				
9699-0025-02	21	3	p. 7				
9699-0025-02	21	4	p. 3				
9699-0028-02	36	20	p. 3				
9699-0035-02	48	1	p. 3				
9699-0035-02	48	1	p. 5				
9699-0035-02	48	4	p. 7				
9699-0037-02	73	1	p. 3				
9699-0062-02	40	5	p. 5				
9699-0085-02	51	3	p. 5				
9699-0104-02	71	2	p. 3				
9747-0631-02	50	5	p. 5				
9747-0831-02	37	3	p. 7				
9747-0831-02	37	5	p. 5				
9747-0831-02	37	10	p. 3				
9747-1031-02	47	1	p. 3				
9747-1031-02	47	4	p. 7				
9799-0831-02	67	2	p. 3				
9898-0816-16	35	6	p. 3				
9959-0612-16	60	1	p. 3				
9997-0612-16	61	3	p. 3				
9997-0612-16	61	5	p. 5				