



Reservdelskatalog Parts Catalogue

SWEEPER 2+4WD - Park

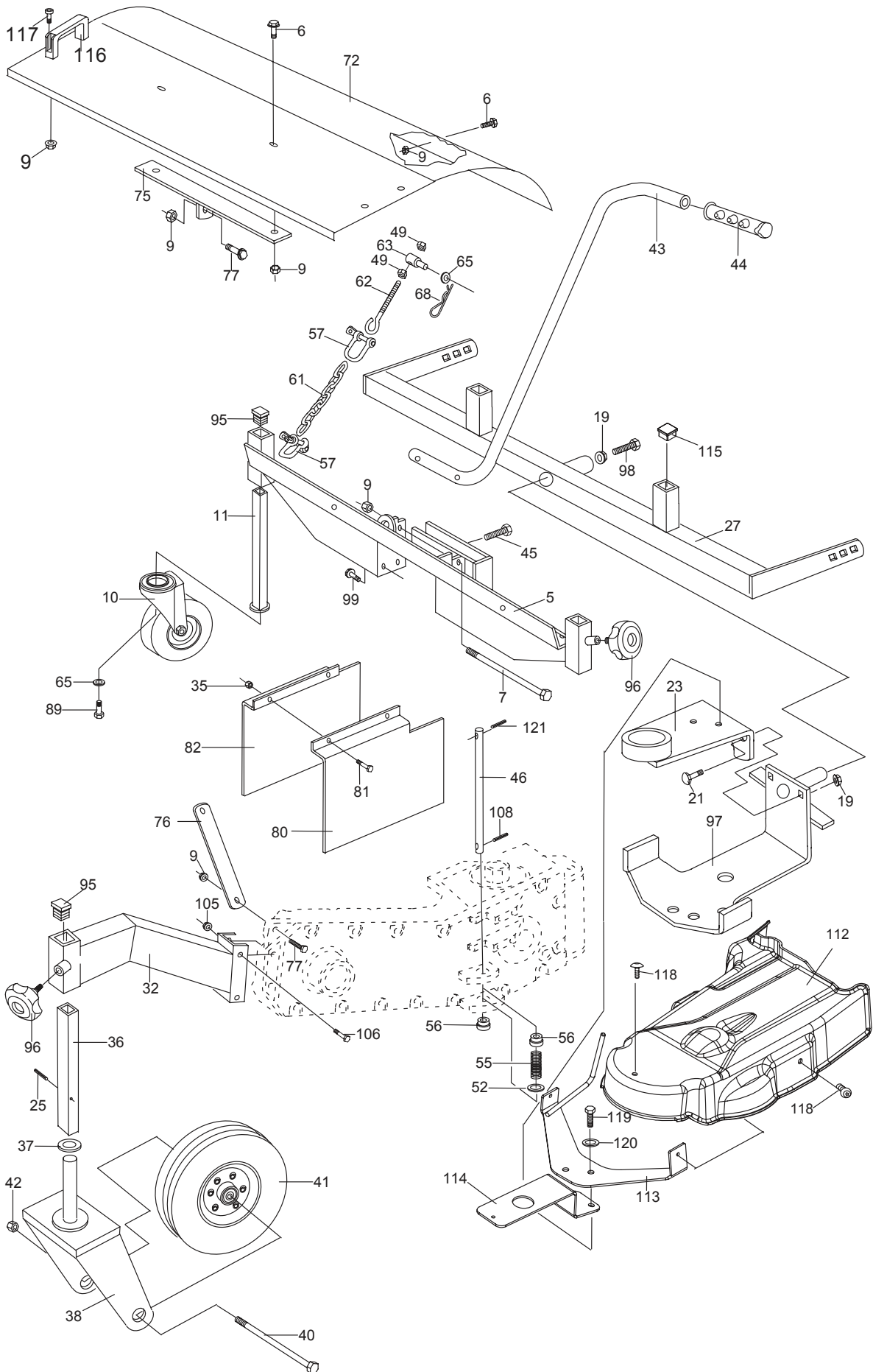
13-0977-11 - Season 2016

- Use GLOBAL GARDEN PRODUCT Genuine Spare Parts specified in the parts list for repair and/or replacement.
 - The contents described in the parts list may change due to improvement.
 - The drawings of the spare parts are only indicative and might not represent the part in question exactly.
 - The indications "right" - "left" - "front" - "rear" refer to the position of the operator when using the machine.
- When placing orders of parts for repair and/or replacement, make sure that the illustrated parts list is the one applying to the machine's year of manufacture, as shown on the identification plate attached to the machine.

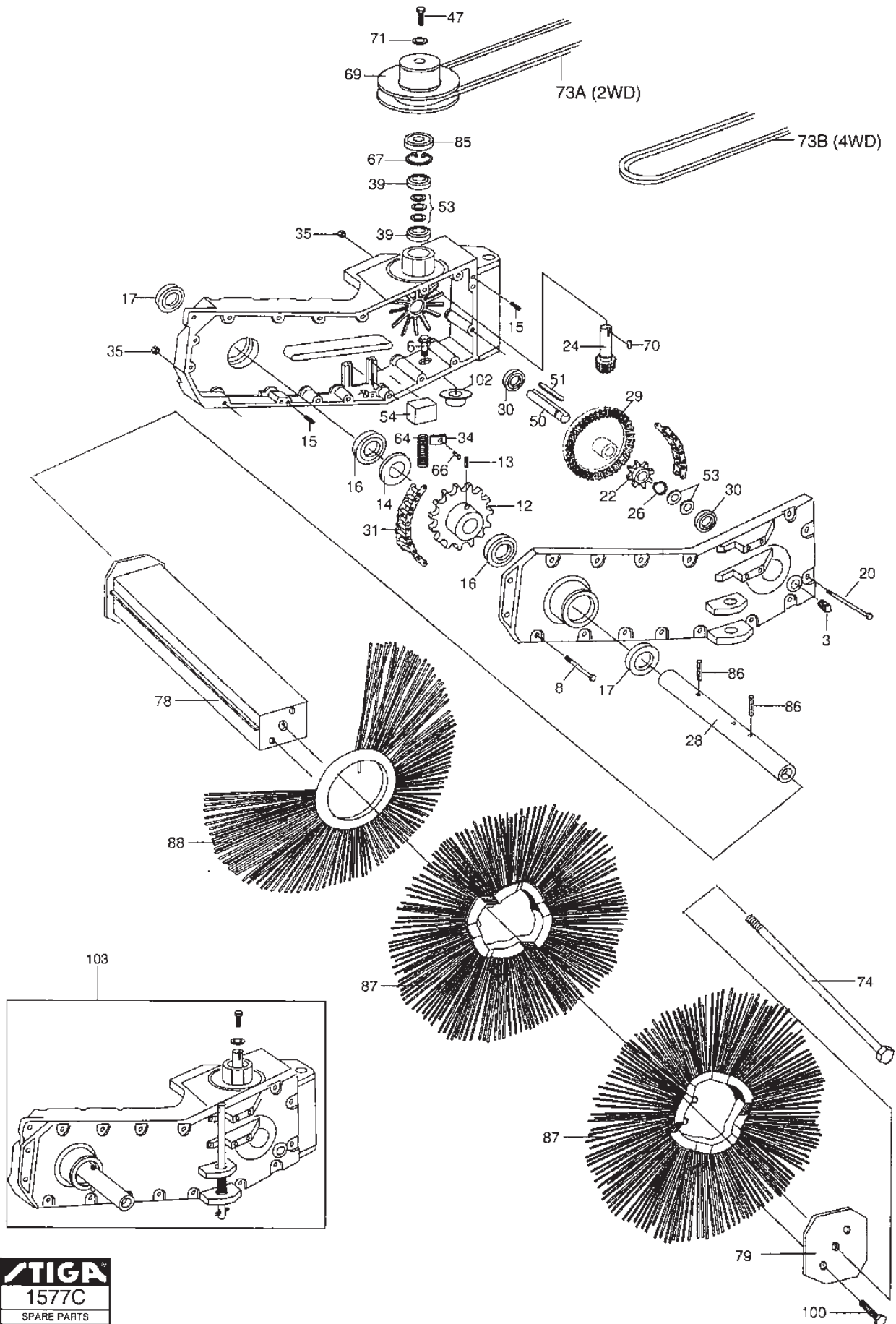
© Copyright 2016 Global Garden Products

All rights reserved. No part of this material may be reproduced or transmitted, in any form or by any means, electronic or mechanical, including photocopying, recording or by any information storage and retrieval system, without permission in writing from GLOBAL GARDEN PRODUCTS.

www.stiga.com



Utgåva Issue 45 - 2015		Sopaggregat		Rotary brush	
Pos. Fig.	Antal Q.ty	Art nr Part No	Benämning	Description	Anmärkning Notes
5	1	1134-2552-01	Hjulupphängning 5-01 02	Mounting Frame	
9	12	112293201/0	Mutter	Nut	
10	2	1319-1827-01	Stödhjul	Support Wheel	
11	2	1319-1828-01	Rör	Tube	
12	1	1134-2584-01	Kedjehjul	Sprocket	
13	1	9907-1020-19	Skruv	Screw	
19	3	9739-1031-22	Mutter	Nut	
22	1	1134-2587-01	Kedjehjul	Sprocket	
23	1	1319-1848-01	Fäste	Mounting Bracket	
27	1	1134-2760-01	Upphängning Kpl. 5-01 01	Frame	
32	1	1134-2756-01	Stödhjulfäste Fr 5-01 02	Supp. Wheel Holder(Front)	
35	2	112292102/0	Mutter	Nut	
36	1	1134-2607-01	Rör	Tube	
38	1	1319-1823-01	Hjulbygel	Wheel Fork	
41	1	1319-1830-01	Stödhjul	Support Wheel	
43	1	1134-3569-01	Lyftspak	Lifting Rod	
54	1	1134-2589-01	Kedjesträckare	Chain Tensioner	
55	1	1134-2578-01	Fjäder	Spring	
57	2	1134-2629-01	Schackel	Lift Link	
61	1	1319-2331-01	Kedja	Chain	
62	1	9405-0031-00	Skruvögla M8 X 80 Fz	Eye-Bolt	
63	1	1134-0576-02	Stift	Pin	
68	1	9598-0003-02	Spring Pin	Spring Pin	
72	1	1134-2617-02	Skärm (Park)5-01	Protection Shield	
73	1	9585-0067-00	Kilrem	V-Belt	
74	2	1134-2796-02	Bult	Bolt	
75	1	1134-2614-01	Fäste Kpl. 5-01 24	Shield Bracket	
76	1	1134-2618-01	Svärd	Bar	
78	2	1319-1825-01	Borstaxel	Brush Shaft	
79	2	1319-1826-01	Fläns	Flange	
80	1	1134-2628-01	Skyddsplat 5-01 24	Protection Shield	
97	1	1319-1845-01	Fäste	Mounting Bracket	
102	1	1319-1901-01	Axeltapp	Shaft-Lower	
103	1	1319-1952-01	Transmission Kpl	Gear Box Ass.Y	
105	2	112293201/0	Mutter	Nut	
107	14	112292102/0	Mutter	Nut	
112	1	1319-2335-01	Remskydd	Belt Guard	
113	1	1319-2336-01	Fäste	Bracket	
114	1	1319-2337-01	Fäste	Bracket	
115	2	1319-2338-01	Plastplugg	Plastic plug	
116	2	1319-2017-01	Grip I Handtag	Grip I Hand Grip	
118	3	9893-0616-16	Skruv	Screw	
119	2	9997-0816-16	Skruv	Screw	
120	2	9699-0028-02	Bricka	Washer	
121	1	1319-1881-01	Fjäderpinne	Spring Pin	



Utgåva Issue 45 - 2015		Sopaggregat Rotary brush			
Pos. Fig.	Antal Q.ty	Art nr Part No	Benämning	Description	Anmärkning Notes
3	1	9500-9982-00	OljePlugg B&S 91084	Oil Plug	
6	1	9959-0816-16	Skruv	Screw	
8	9	9997-0635-12	Skruv	Screw	
12	1	1134-2584-01	Kedjehjul	Sprocket	
13	1	9907-1020-19	Skruv	Screw	
14	1	9695-0006-00	Bricka	Washer	
15	2	9591-0020-00	Stift	Pin	
16	2	9549-0045-00	Kullager	Ball Bearing	
17	2	9404-0074-00	Tätningring Cc 30*42*7	Seal Ring	
20	5	9997-0670-12	Skruv	Screw	
22	1	1134-2587-01	Kedjehjul	Sprocket	
24	1	1319-1844-01	Kuggjul	Gear Wheel Kit	Inkl. pos 29
26	1	9650-0017-04	Lasring	Retainer ring	
28	1	1134-2585-01	Axel	Output Shaft	
30	2	9549-0017-00	Kullager	Ball Bearing	
31	1	9589-0013-00	Kedja	Chain	
34	1	1111-1706-01	Överfall Fram	Clamp Front	
35	14	9739-0631-22	Mutter	Nut	
39	2	9549-0019-00	Kullager	Ball Bearing	
47	1	9997-0820-16	Skruv	Screw	
50	1	1134-2588-01	Axel	Shaft	
51	1	9600-0148-00	Plattkil	Key	
53	5	9695-0005-00	Bricka	Washer	
54	1	1134-2589-01	Kedjesträckare	Chain Tensioner	
64	1	1134-2590-01	Fjäder	Spring	
66	1	9943-0510-16	Skruv	Screw	
67	1	9651-0040-04	Sparring Sgh 40	Circlip	
69	1	1319-1846-01	Remskiva	Pulley	
70	1	9600-0145-00	Plattkil	Key	
71	1	9699-0056-02	Bricka	Washer	
73	1	1134-9041-01	Kilrem	V-Belt	= 9585-0067-00
73	1	1134-9093-01	Drivrem	Drive Belt	= 9585-0144-01
74	2	1134-2796-02	Bult	Bolt	L = 355 mm
78	2	1319-1825-01	Borstaxel	Brush Shaft	
79	2	1319-1826-01	Fläns	Flange	
85	1	9404-0073-00	Tätningring Cb 28*40*7	Seal Ring	
86	2	9591-0031-00	Stift	Pin	
87	24	1134-3880-01	Borstring	Brush	
88	2	1134-3884-01	Borstring	Brush	
100	4	9997-1035-16	Skruv	Screw	
102	1	1319-1901-01	Axeltapp	Shaft-Lower	
103	1	1319-1952-01	Transmission Kpl	Gear Box Ass.Y	

code	pos.	q.ty	page				
1111-1706-01	34	1	p. 5	9651-0040-04	67	1	p. 5
1134-0576-02	63	1	p. 3	9695-0005-00	53	5	p. 5
1134-2552-01	5	1	p. 3	9695-0006-00	14	1	p. 5
1134-2578-01	55	1	p. 3	9699-0028-02	120	2	p. 3
1134-2584-01	12	1	p. 3	9699-0056-02	71	1	p. 5
1134-2584-01	12	1	p. 5	9739-0631-22	35	14	p. 5
1134-2585-01	28	1	p. 5	9739-1031-22	19	3	p. 3
1134-2587-01	22	1	p. 3	9893-0616-16	118	3	p. 3
1134-2587-01	22	1	p. 5	9907-1020-19	13	1	p. 3
1134-2588-01	50	1	p. 5	9907-1020-19	13	1	p. 5
1134-2589-01	54	1	p. 3	9943-0510-16	66	1	p. 5
1134-2589-01	54	1	p. 5	9959-0816-16	6	1	p. 5
1134-2590-01	64	1	p. 5	9997-0635-12	8	9	p. 5
1134-2607-01	36	1	p. 3	9997-0670-12	20	5	p. 5
1134-2614-01	75	1	p. 3	9997-0816-16	119	2	p. 3
1134-2617-02	72	1	p. 3	9997-0820-16	47	1	p. 5
1134-2618-01	76	1	p. 3	9997-1035-16	100	4	p. 5
1134-2628-01	80	1	p. 3	112292102/0	35	2	p. 3
1134-2629-01	57	2	p. 3	112292102/0	107	14	p. 3
1134-2756-01	32	1	p. 3	112293201/0	9	12	p. 3
1134-2760-01	27	1	p. 3	112293201/0	105	2	p. 3
1134-2796-02	74	2	p. 3				
1134-2796-02	74	2	p. 5				
1134-3569-01	43	1	p. 3				
1134-3880-01	87	24	p. 5				
1134-3884-01	88	2	p. 5				
1134-9041-01	73	1	p. 5				
1134-9093-01	73	1	p. 5				
1319-1823-01	38	1	p. 3				
1319-1825-01	78	2	p. 3				
1319-1825-01	78	2	p. 5				
1319-1826-01	79	2	p. 3				
1319-1826-01	79	2	p. 5				
1319-1827-01	10	2	p. 3				
1319-1828-01	11	2	p. 3				
1319-1830-01	41	1	p. 3				
1319-1844-01	24	1	p. 5				
1319-1845-01	97	1	p. 3				
1319-1846-01	69	1	p. 5				
1319-1848-01	23	1	p. 3				
1319-1881-01	121	1	p. 3				
1319-1901-01	102	1	p. 3				
1319-1901-01	102	1	p. 5				
1319-1952-01	103	1	p. 3				
1319-1952-01	103	1	p. 5				
1319-2017-01	116	2	p. 3				
1319-2331-01	61	1	p. 3				
1319-2335-01	112	1	p. 3				
1319-2336-01	113	1	p. 3				
1319-2337-01	114	1	p. 3				
1319-2338-01	115	2	p. 3				
9404-0073-00	85	1	p. 5				
9404-0074-00	17	2	p. 5				
9405-0031-00	62	1	p. 3				
9500-9982-00	3	1	p. 5				
9549-0017-00	30	2	p. 5				
9549-0019-00	39	2	p. 5				
9549-0045-00	16	2	p. 5				
9585-0067-00	73	1	p. 3				
9589-0013-00	31	1	p. 5				
9591-0020-00	15	2	p. 5				
9591-0031-00	86	2	p. 5				
9598-0003-02	68	1	p. 3				
9600-0145-00	70	1	p. 5				
9600-0148-00	51	1	p. 5				
9650-0017-04	26	1	p. 5				