



## **Reservdelskatalog Parts Catalogue**

# ***SWEEPER HYDRAULIC - Park***

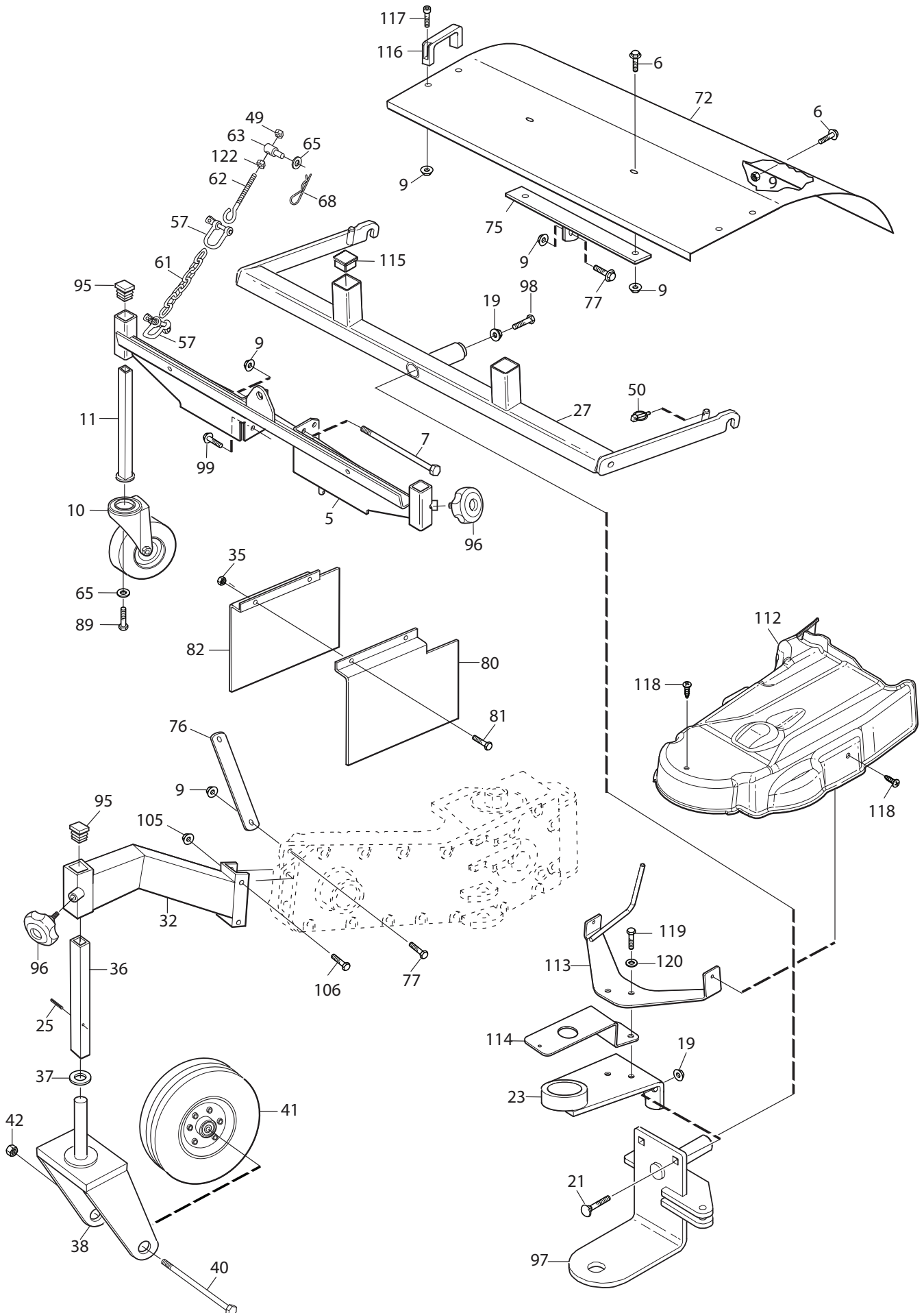
**13-3929-11 - Season 2015**

- Use GLOBAL GARDEN PRODUCT Genuine Spare Parts specified in the parts list for repair and/or replacement.
  - The contents described in the parts list may change due to improvement.
  - The drawings of the spare parts are only indicative and might not represent the part in question exactly.
  - The indications "right" - "left" - "front" - "rear" refer to the position of the operator when using the machine.
- When placing orders of parts for repair and/or replacement, make sure that the illustrated parts list is the one applying to the machine's year of manufacture, as shown on the identification plate attached to the machine.

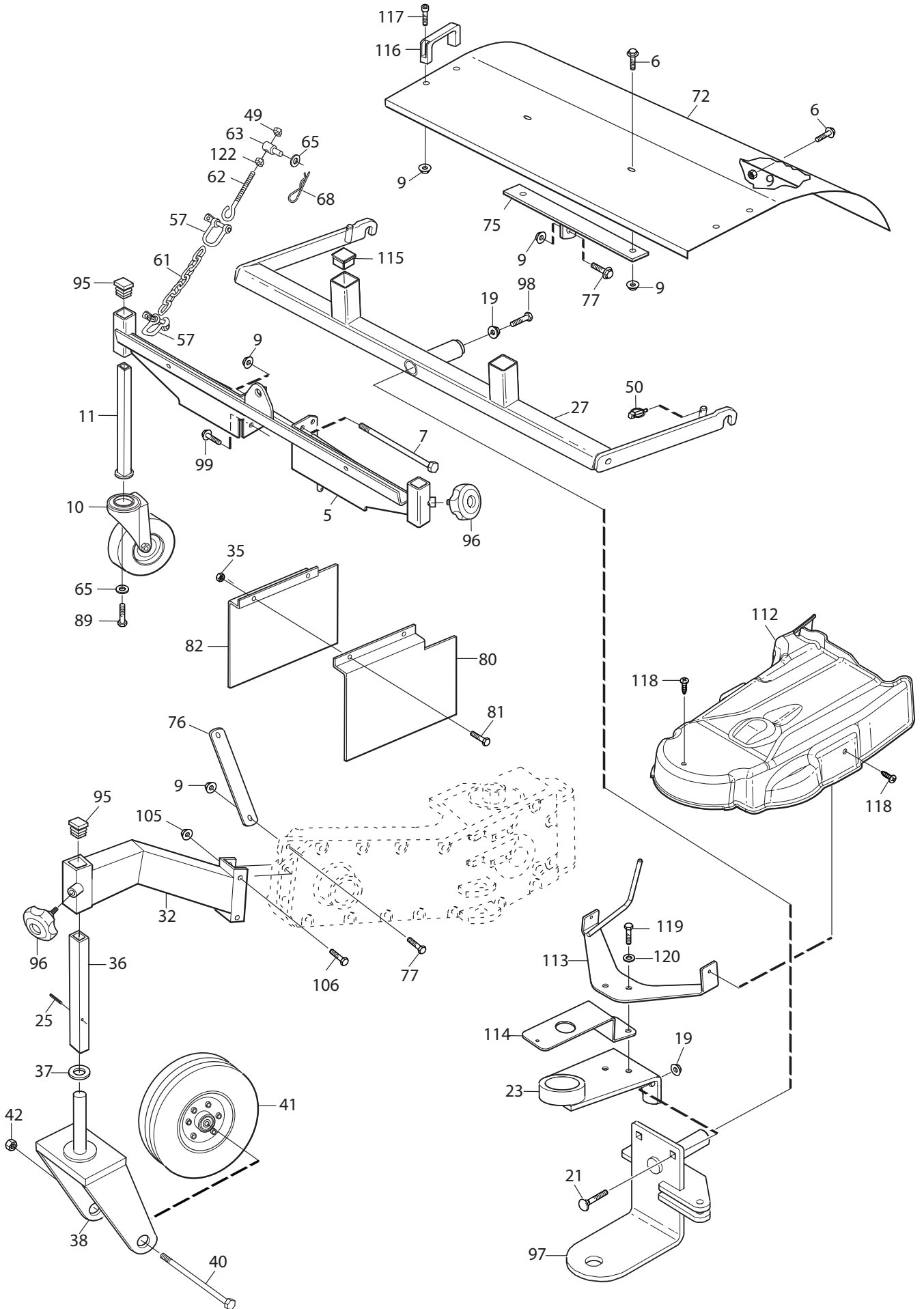
© Copyright 2015 Global Garden Products

All rights reserved. No part of this material may be reproduced or transmitted, in any form or by any means, electronic or mechanical, including photocopying, recording or by any information storage and retrieval system, without permission in writing from GLOBAL GARDEN PRODUCTS.

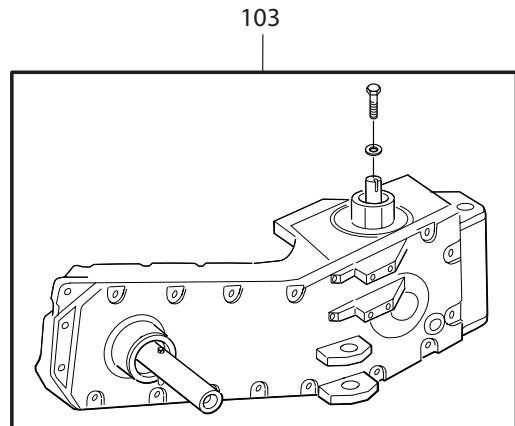
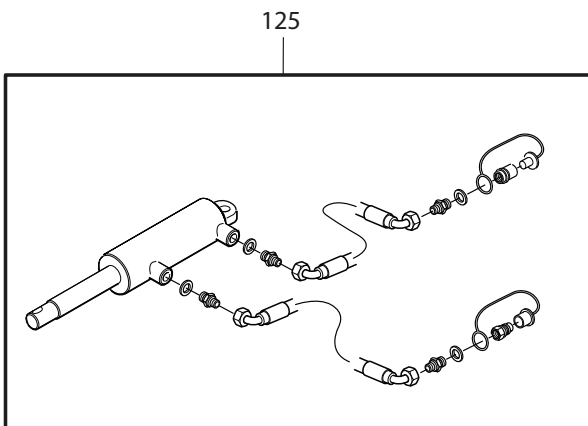
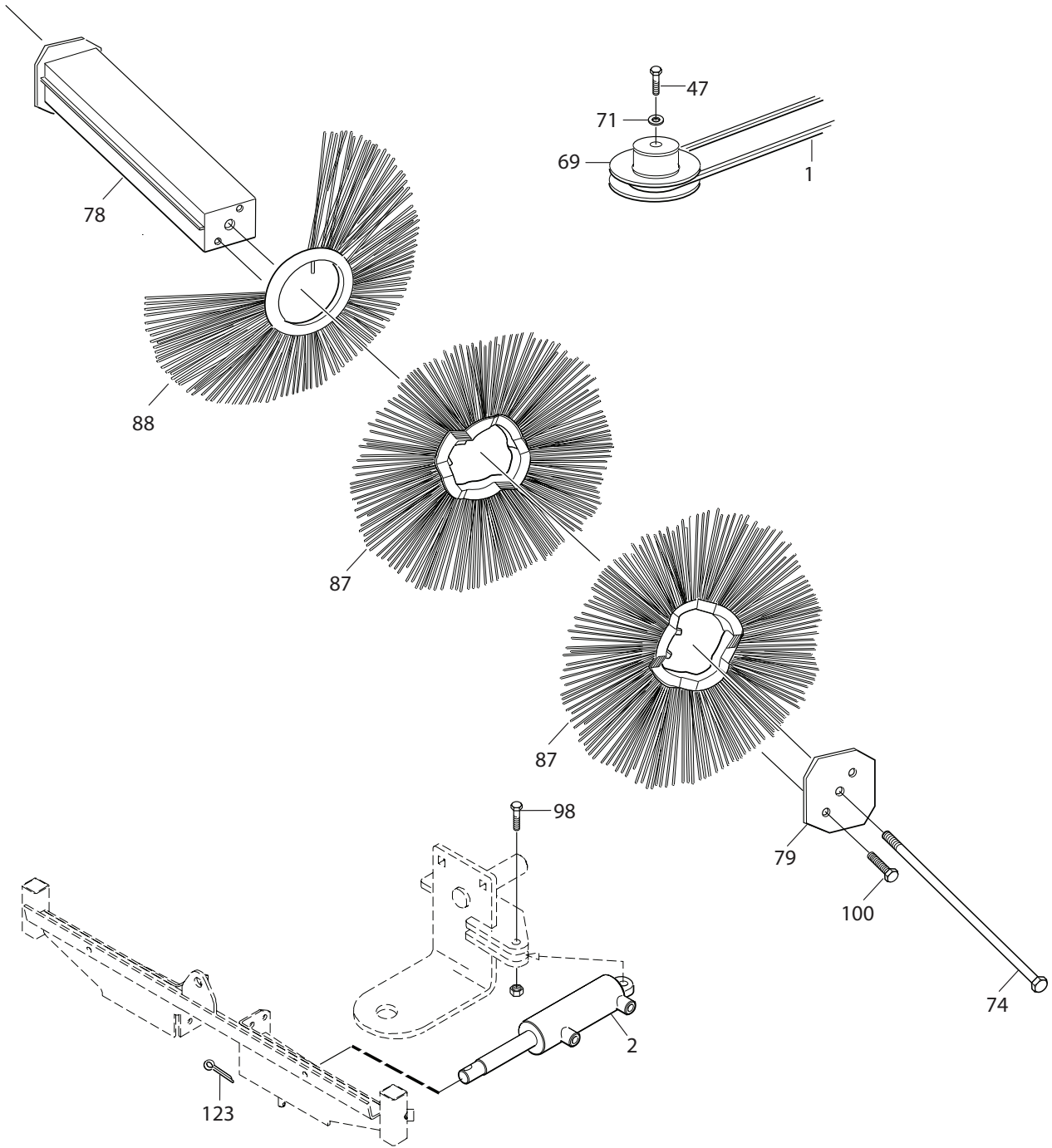
*[www.stiga.com](http://www.stiga.com)*



Utgåva Issue 17 - 2015		Ram Frame			
Pos. Fig.	Antal Q.ty	Art nr Part No	Benämning	Description	Anmärkning Notes
5	1	1319-2325-01	Tradbygel	Mounting Frame	
6	4	9959-0816-16	Skruv	Screw	
7	2	9997-0814-02	Skruv	Screw	
9	8	12293201/0	Mutter	Nut	
10	1	1319-1827-01	Stödhjul	Support Wheel	
11	1	1319-2326-01	Rör	Tube	
18	2	9997-1030-16	Skruv	Screw	
19	5	9739-1031-22	Mutter	Nut	
21	2	9997-1030-16	Skruv	Screw	
23	1	1319-2327-01	Tradbygel	Mounting Frame	
25	1	9595-0210-00	Spiralspnst Prym N4X26	Locating Pin	
27	1	1319-2328-01	Tradbygel	Mounting Frame	
32	1	1319-2329-01	Fäste	Bracket	
35	2	12292102/0	Mutter M6Mf Tensilock M6	Nut	
36	1	1134-2607-01	Rör	Tube	
37	1	9699-0042-02	Bricka	Washer	
38	1	1319-2330-01	Hjulfäste	Wheel Support	
40	1	9997-1212-02	Skruv	Screw	
41	1	1319-1830-01	Stödhjul	Support Wheel	
42	1	9747-1231-02	Mutter	Nut	
49	2	9747-0831-02	Mutter	Nut	
50	2	1319-2319-01	Stift	Pin	
57	2	1134-2629-01	Schackel	Lift Link	
61	1	1319-2331-01	Kedja	Chain	
62	1	9405-0031-00	Skruvögla M8 X 80 Fz	Eye-Bolt	
63	1	1134-0576-02	Stift	Pin	
65	2	9699-0035-02	Bricka	Washer	
68	1	9598-0003-02	Spring Pin	Spring Pin	
72	1	1319-2332-01	Guard Brush	Guard Brush	
74	2	1134-2796-02	Bult	Bolt	
75	1	1134-2614-01	Fäste Kpl. 5-01 24	Shield Bracket	
76	1	1134-2618-01	Svärd	Bar	
77	2	9959-0825-16	Skruv	Screw	
80	1	1134-2628-01	Skyddsplat 5-01 24	Protection Shield	
81	2	9959-0612-16	Skruv	Screw	
82	1	1319-1849-01	Skyddsplat-Hö	Protection Shield-Rh)	
86	2	9591-0031-00	Stift	Pin	
89	2	9997-1020-16	Skruv	Screw	
95	3	9403-0044-70	Plugg	Plug	
96	3	1134-2609-01	Lasratt	Locking Knob	
97	1	1319-2334-01	Fäste	Bracket	
99	4	9959-0820-16	Skruv	Screw	
105	2	12293201/0	Mutter	Nut	
106	2	9997-0845-12	Skruv	Screw	
112	1	1319-2335-01	Remskydd	Belt Guard	
113	1	1319-2336-01	Fäste	Bracket	
114	1	1319-2337-01	Fäste	Bracket	
115	1	1319-2338-01	Plastplugg	Plastic plug	
116	2	1319-2017-01	Handtag	Hand Grip	



Utgåva Issue 17 - 2015		Ram Frame			
Pos. Fig.	Antal Q.ty	Art nr Part No	Benämning	Description	Anmärkning Notes
117	4	9939-0820-16	Skruv	Screw	
118	3	9893-0616-16	Skruv	Screw	
119	2	9997-0816-16	Skruv	Screw	
120	2	9699-0028-02	Bricka	Washer	
122	1	9799-0831-02	Mutter	Nut	



Utgåva Issue 17 - 2015		Transmission		Transmission	
Pos. Fig.	Antal Q.ty	Art nr Part No	Benämning	Description	Anmärkning Notes
1	1	9585-0155-01	Kilrem	Belt	
2	1	1137-0071-01	Hydraulcylinder	Hydraulic Cylinder	
47	1	9997-0820-16	Skruv	Screw	
69	1	1319-1846-01	Remskiva	Pulley	
71	1	9699-0056-02	Bricka	Washer	
78	2	1319-1825-01	Borstaxel	Brush Shaft	
87	24	1134-3880-01	Borstring	Brush	
88	2	1134-3884-01	Borstring	Brush	
98	2	9997-1040-16	Skruv	Screw	
100	6	9997-1035-16	Skruv	Screw	
103	1	1319-1952-01	Transmission Kpl	Gear Box Ass.Y	
123	1	9599-0083-02	SaxSprint 4X25 Fz	Split Pin	
124	1	9747-1031-02	Mutter	Nut	
125	1	1319-2339-01	Hydraulic Hoses Kit	Hydraulic Hoses Kit	

code	pos.	q.ty	page				
1134-0576-02	63	1	p. 3	12293201/0	9	8	p. 3
1134-2607-01	36	1	p. 3	12293201/0	105	2	p. 3
1134-2609-01	96	3	p. 3				
1134-2614-01	75	1	p. 3				
1134-2618-01	76	1	p. 3				
1134-2628-01	80	1	p. 3				
1134-2629-01	57	2	p. 3				
1134-2796-02	74	2	p. 3				
1134-3880-01	87	24	p. 7				
1134-3884-01	88	2	p. 7				
1137-0071-01	2	1	p. 7				
1319-1825-01	78	2	p. 7				
1319-1827-01	10	1	p. 3				
1319-1830-01	41	1	p. 3				
1319-1846-01	69	1	p. 7				
1319-1849-01	82	1	p. 3				
1319-1952-01	103	1	p. 7				
1319-2017-01	116	2	p. 3				
1319-2319-01	50	2	p. 3				
1319-2325-01	5	1	p. 3				
1319-2326-01	11	1	p. 3				
1319-2327-01	23	1	p. 3				
1319-2328-01	27	1	p. 3				
1319-2329-01	32	1	p. 3				
1319-2330-01	38	1	p. 3				
1319-2331-01	61	1	p. 3				
1319-2332-01	72	1	p. 3				
1319-2334-01	97	1	p. 3				
1319-2335-01	112	1	p. 3				
1319-2336-01	113	1	p. 3				
1319-2337-01	114	1	p. 3				
1319-2338-01	115	1	p. 3				
1319-2339-01	125	1	p. 7				
9403-0044-70	95	3	p. 3				
9405-0031-00	62	1	p. 3				
9585-0155-01	1	1	p. 7				
9591-0031-00	86	2	p. 3				
9595-0210-00	25	1	p. 3				
9598-0003-02	68	1	p. 3				
9599-0083-02	123	1	p. 7				
9699-0028-02	120	2	p. 5				
9699-0035-02	65	2	p. 3				
9699-0042-02	37	1	p. 3				
9699-0056-02	71	1	p. 7				
9739-1031-22	19	5	p. 3				
9747-0831-02	49	2	p. 3				
9747-1031-02	124	1	p. 7				
9747-1231-02	42	1	p. 3				
9799-0831-02	122	1	p. 5				
9893-0616-16	118	3	p. 5				
9939-0820-16	117	4	p. 5				
9959-0612-16	81	2	p. 3				
9959-0816-16	6	4	p. 3				
9959-0820-16	99	4	p. 3				
9959-0825-16	77	2	p. 3				
9997-0814-02	7	2	p. 3				
9997-0816-16	119	2	p. 5				
9997-0820-16	47	1	p. 7				
9997-0845-12	106	2	p. 3				
9997-1020-16	89	2	p. 3				
9997-1030-16	18	2	p. 3				
9997-1030-16	21	2	p. 3				
9997-1035-16	100	6	p. 7				
9997-1040-16	98	2	p. 7				
9997-1212-02	40	1	p. 3				
12292102/0	35	2	p. 3				