



## **Reservdelskatalog Parts Catalogue**

# ***SWEEPER Villa 300-500***

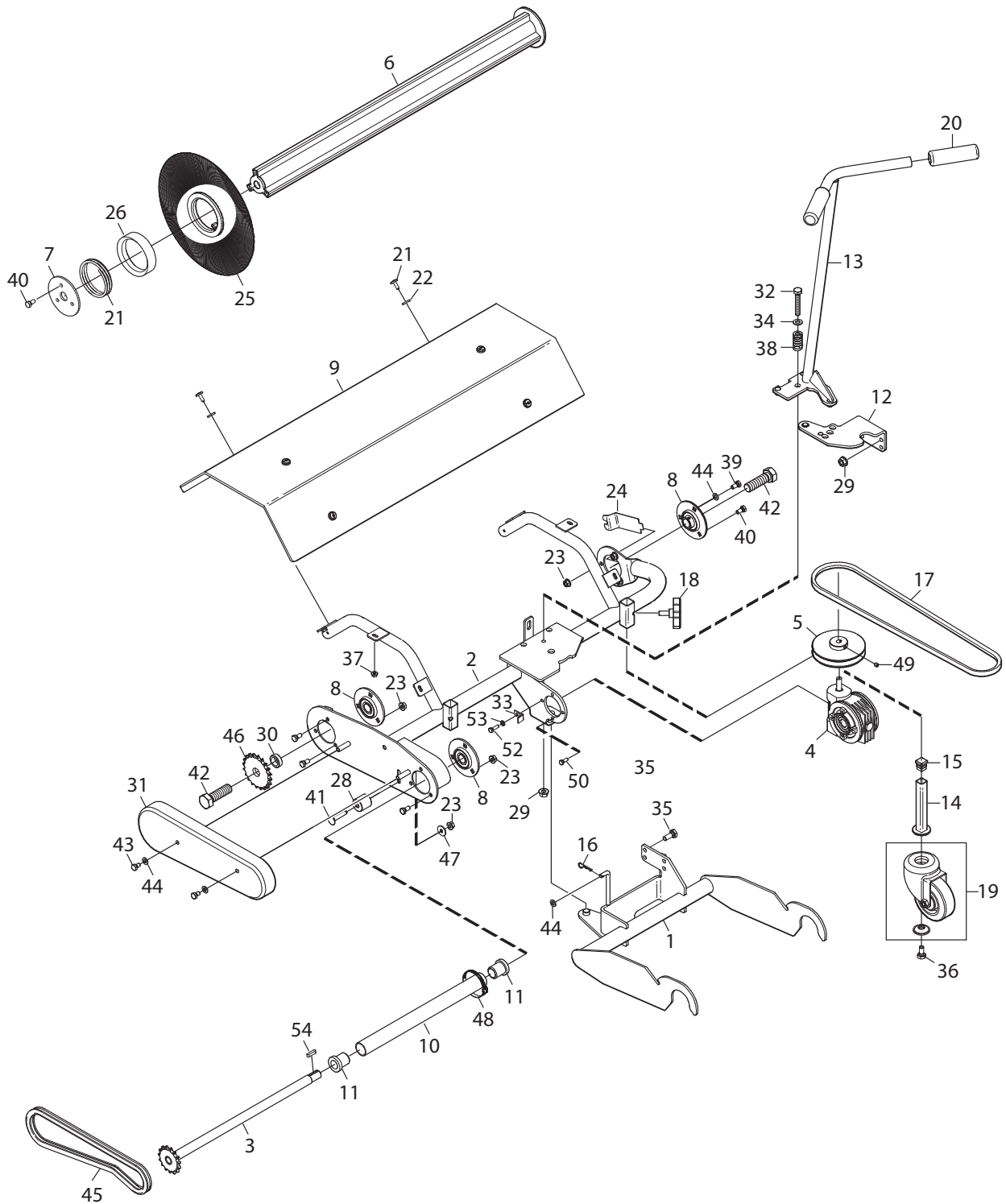
***13-3920-11 - Season 2015***

- Use GLOBAL GARDEN PRODUCT Genuine Spare Parts specified in the parts list for repair and/or replacement.
  - The contents described in the parts list may change due to improvement.
  - The drawings of the spare parts are only indicative and might not represent the part in question exactly.
  - The indications "right" - "left" - "front" - "rear" refer to the position of the operator when using the machine.
- When placing orders of parts for repair and/or replacement, make sure that the illustrated parts list is the one applying to the machine's year of manufacture, as shown on the identification plate attached to the machine.

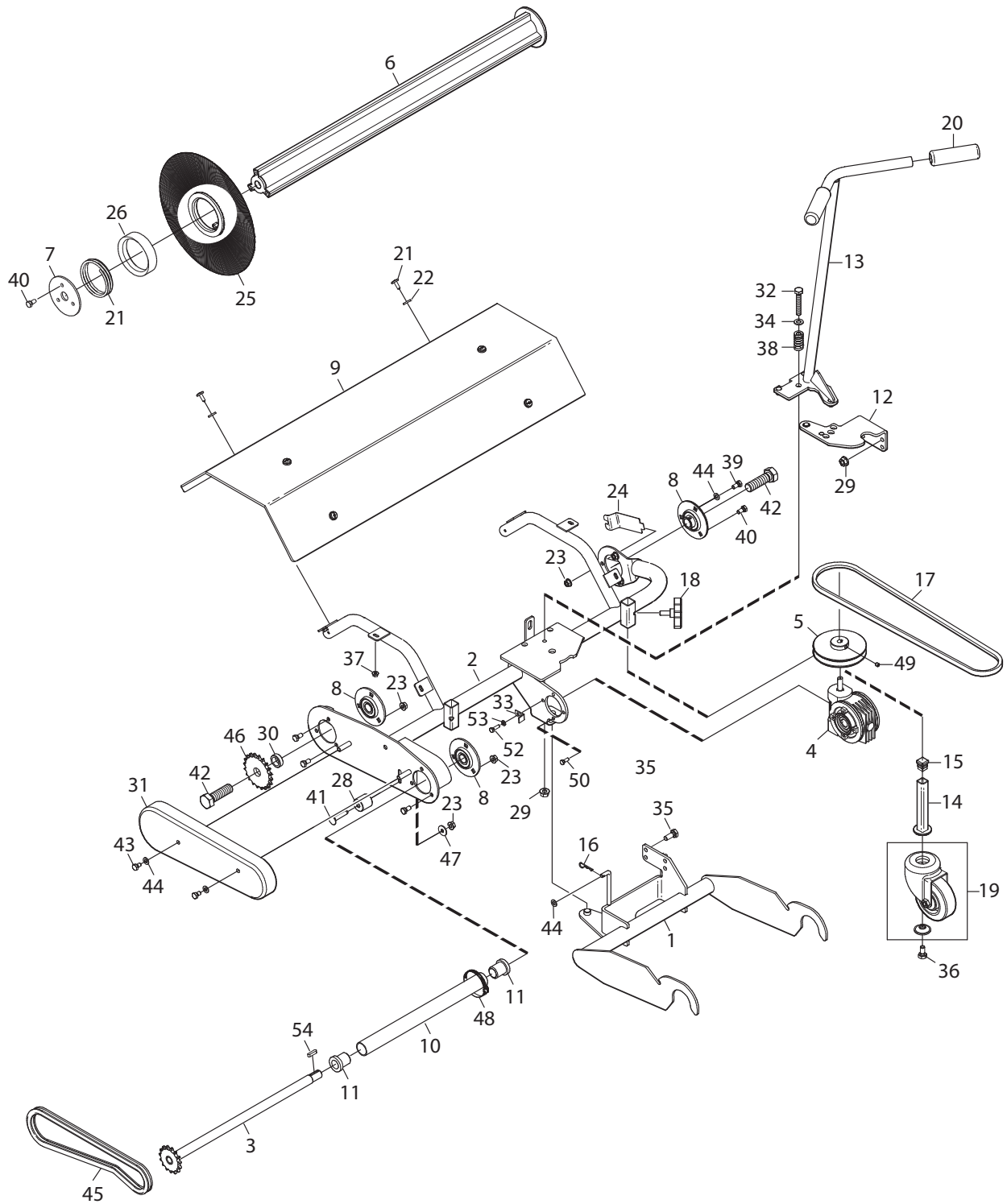
© Copyright 2015 Global Garden Products

All rights reserved. No part of this material may be reproduced or transmitted, in any form or by any means, electronic or mechanical, including photocopying, recording or by any information storage and retrieval system, without permission in writing from GLOBAL GARDEN PRODUCTS.

*[www.stiga.com](http://www.stiga.com)*



Utgåva Issue 17 - 2015		Soppaggregat		Sweeper	
Pos. Fig.	Antal Q.ty	Art nr Part No	Benämning	Description	Anmärkning Notes
1	1	1319-2304-01	Fäste	Support	
2	1	1319-2267-01	Ram	Mounting Frame	
3	1	1319-2275-01	Lyftkedja	Lift Chain	
4	1	1319-2263-01	Snäckväxel (7:1)	Worm Gear (7:1)	
5	1	1319-2261-01	Remskiva	Pulley	
6	1	1319-2279-01	Borstaxel (850 Mm)	Roller Shaft (850 Mm)	
7	1	1319-2278-01	Fläns	Flange	
8	3	1319-1539-01	Lager	Bearing	
9	1	1319-2268-01	Skyddsplåt	Guard, Brush Roller	
10	1	1319-2271-01	Drivaxelskydd	Guard, Drive Shaft	
11	2	1319-2253-01	Lager	Bearing	
12	1	1319-2295-01	Fäste	Bracket	
13	1	1319-2276-01	Inställningsspak	Tube	
14	2	1319-2280-01	Rör, Pivothjul	Tube, Pivot Wheel	
15	2	1319-2254-01	Dammskydd	Dust Cap	
16	1	1319-2305-01	Saxsprint	Cotter Pin	
17	1	9585-0075-00	Kilrem	Belt	
18	2	1319-1900-01	Justerratt	Knob	
19	2	1319-2256-01	Stödhjul	Support Wheel	
20	2	1319-1703-01	Handtag	Grip	
21	6	1319-2258-01	Skruv	Screw	
22	6	1319-2259-01	Bricka	Washer	
23	14	9739-0931-22	Mutter	Nut	
24	1	1319-2270-01	Skydd	Cover	
25	23	1319-2260-01	Borstring (3"X300)	Brush Ring	
26	21	1319-2257-01	Plastring	Plastic Collar	
27	1	1319-2255-01	Fjäder	Spring	
28	1	1319-2045-01	Kedjespännare	Chain Tightener	
29	1	9739-1031-22	Mutter	Nut	
30	1	1319-2273-01	Distans	Collar	
31	1	1319-2277-01	Kedjeskydd	Chain Cover	
32	1	9997-1060-12	Skruv	Screw	
33	1	1319-2265-01	Vinkelstöd	Support	
34	1	9699-0035-02	Bricka	Washer	
35	4	9997-0825-16	Skruv	Screw	
36	2	9997-1020-01	Skruv	Screw	
37	6	112292102/0	Mutter	Nut	
38	1	1319-2264-01	Fjäder	Spring	
39	1	9997-0820-16	Skruv	Screw	
40	11	9997-0816-16	Skruv	Screw	
41	1	1319-2140-01	Skruv	Screw	
42	2	1319-2281-01	Skruv	Screw	
43	2	9997-0812-16	Skruv	Screw	
44	4	9699-0028-02	Bricka	Washer	
45	1	1319-2274-01	Drivkedja	Drive Chain	
46	1	1319-2252-01	Kedjehjul	Chain Wheel	
47	1	9699-0062-02	Bricka	Washer	
48	1	1319-2262-01	Lasring	Clamp	
49	1	9915-0808-15	Skruv	Screw	



Utgåva Issue 17 - 2015		Soppaggregat Sweeper			
Pos. Fig.	Antal Q.ty	Art nr Part No	Benämning	Description	Anmärkning Notes
50	3	9997-0616-16	Skruv	Screw	
52	1	9997-0620-12	Skruv	Screw	
53	1	9699-0025-02	Bricka	Washer	
54	1	1319-1525-01	Kil	Key	

<b>code</b>	<b>pos.</b>	<b>q.ty</b>	<b>page</b>
1319-1525-01	54	1	p. 5
1319-1539-01	8	3	p. 3
1319-1703-01	20	2	p. 3
1319-1900-01	18	2	p. 3
1319-2045-01	28	1	p. 3
1319-2140-01	41	1	p. 3
1319-2252-01	46	1	p. 3
1319-2253-01	11	2	p. 3
1319-2254-01	15	2	p. 3
1319-2255-01	27	1	p. 3
1319-2256-01	19	2	p. 3
1319-2257-01	26	21	p. 3
1319-2258-01	21	6	p. 3
1319-2259-01	22	6	p. 3
1319-2260-01	25	23	p. 3
1319-2261-01	5	1	p. 3
1319-2262-01	48	1	p. 3
1319-2263-01	4	1	p. 3
1319-2264-01	38	1	p. 3
1319-2265-01	33	1	p. 3
1319-2267-01	2	1	p. 3
1319-2268-01	9	1	p. 3
1319-2270-01	24	1	p. 3
1319-2271-01	10	1	p. 3
1319-2273-01	30	1	p. 3
1319-2274-01	45	1	p. 3
1319-2275-01	3	1	p. 3
1319-2276-01	13	1	p. 3
1319-2277-01	31	1	p. 3
1319-2278-01	7	1	p. 3
1319-2279-01	6	1	p. 3
1319-2280-01	14	2	p. 3
1319-2281-01	42	2	p. 3
1319-2295-01	12	1	p. 3
1319-2304-01	1	1	p. 3
1319-2305-01	16	1	p. 3
9585-0075-00	17	1	p. 3
9699-0025-02	53	1	p. 5
9699-0028-02	44	4	p. 3
9699-0035-02	34	1	p. 3
9699-0062-02	47	1	p. 3
9739-0931-22	23	14	p. 3
9739-1031-22	29	1	p. 3
9915-0808-15	49	1	p. 3
9997-0616-16	50	3	p. 5
9997-0620-12	52	1	p. 5
9997-0812-16	43	2	p. 3
9997-0816-16	40	11	p. 3
9997-0820-16	39	1	p. 3
9997-0825-16	35	4	p. 3
9997-1020-01	36	2	p. 3
9997-1060-12	32	1	p. 3
112292102/0	37	6	p. 3