



## **Reservdelskatalog Parts Catalogue**

# ***SWEEPER With COLLECTOR***

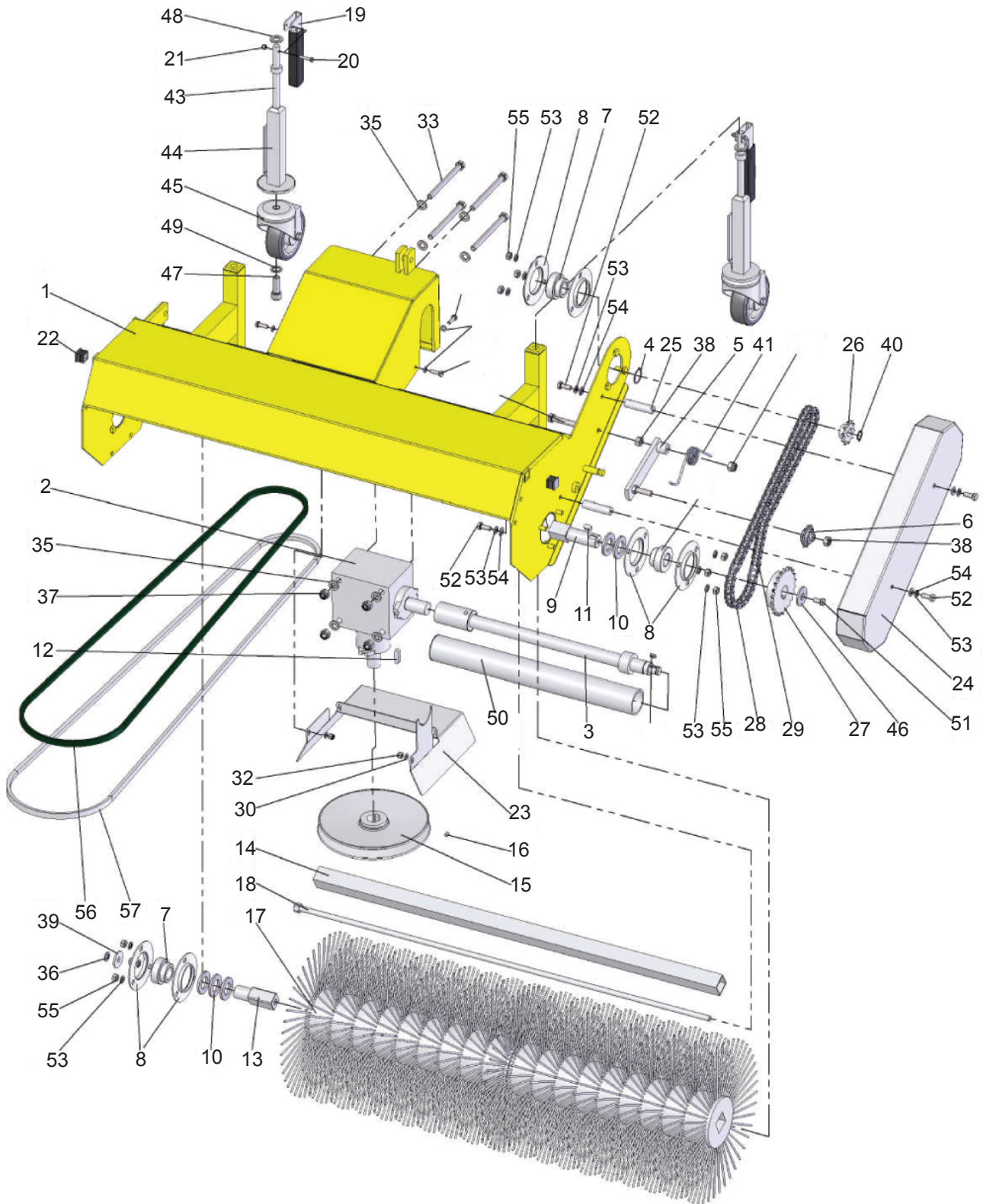
**13-3910-11 - Season 2015**

- Use GLOBAL GARDEN PRODUCT Genuine Spare Parts specified in the parts list for repair and/or replacement.
  - The contents described in the parts list may change due to improvement.
  - The drawings of the spare parts are only indicative and might not represent the part in question exactly.
  - The indications "right" - "left" - "front" - "rear" refer to the position of the operator when using the machine.
- When placing orders of parts for repair and/or replacement, make sure that the illustrated parts list is the one applying to the machine's year of manufacture, as shown on the identification plate attached to the machine.

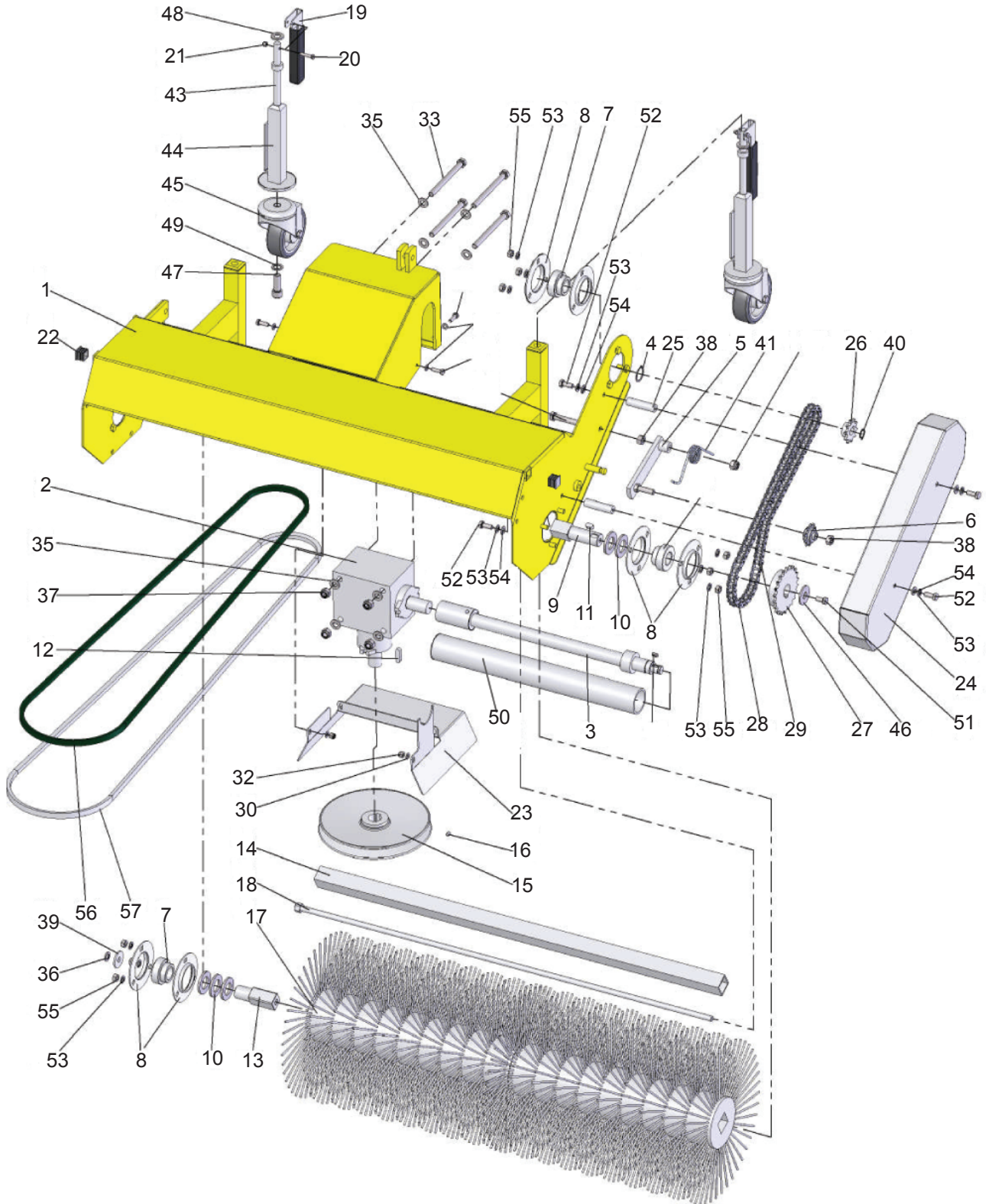
© Copyright 2015 Global Garden Products

All rights reserved. No part of this material may be reproduced or transmitted, in any form or by any means, electronic or mechanical, including photocopying, recording or by any information storage and retrieval system, without permission in writing from GLOBAL GARDEN PRODUCTS.

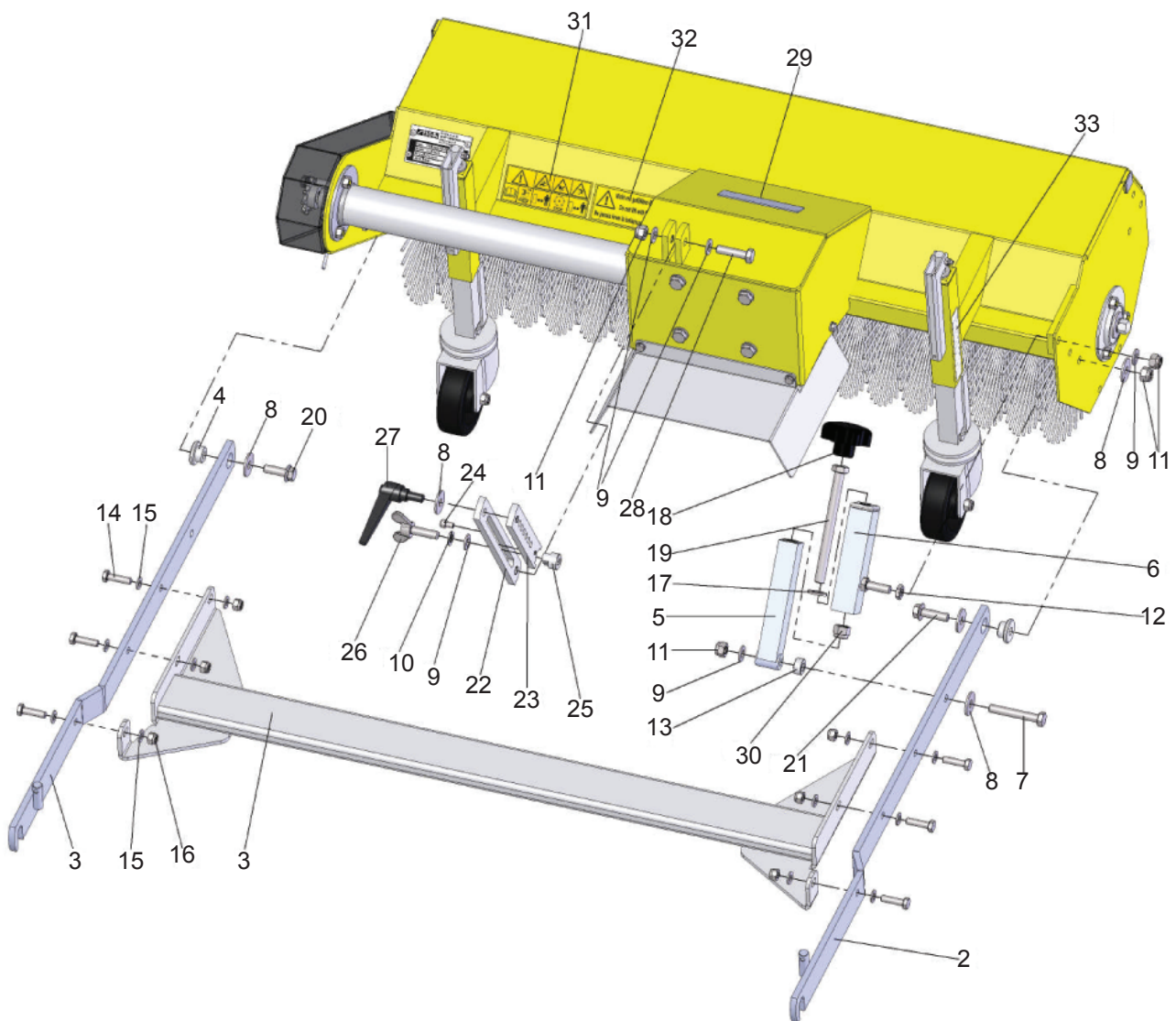
*[www.stiga.com](http://www.stiga.com)*



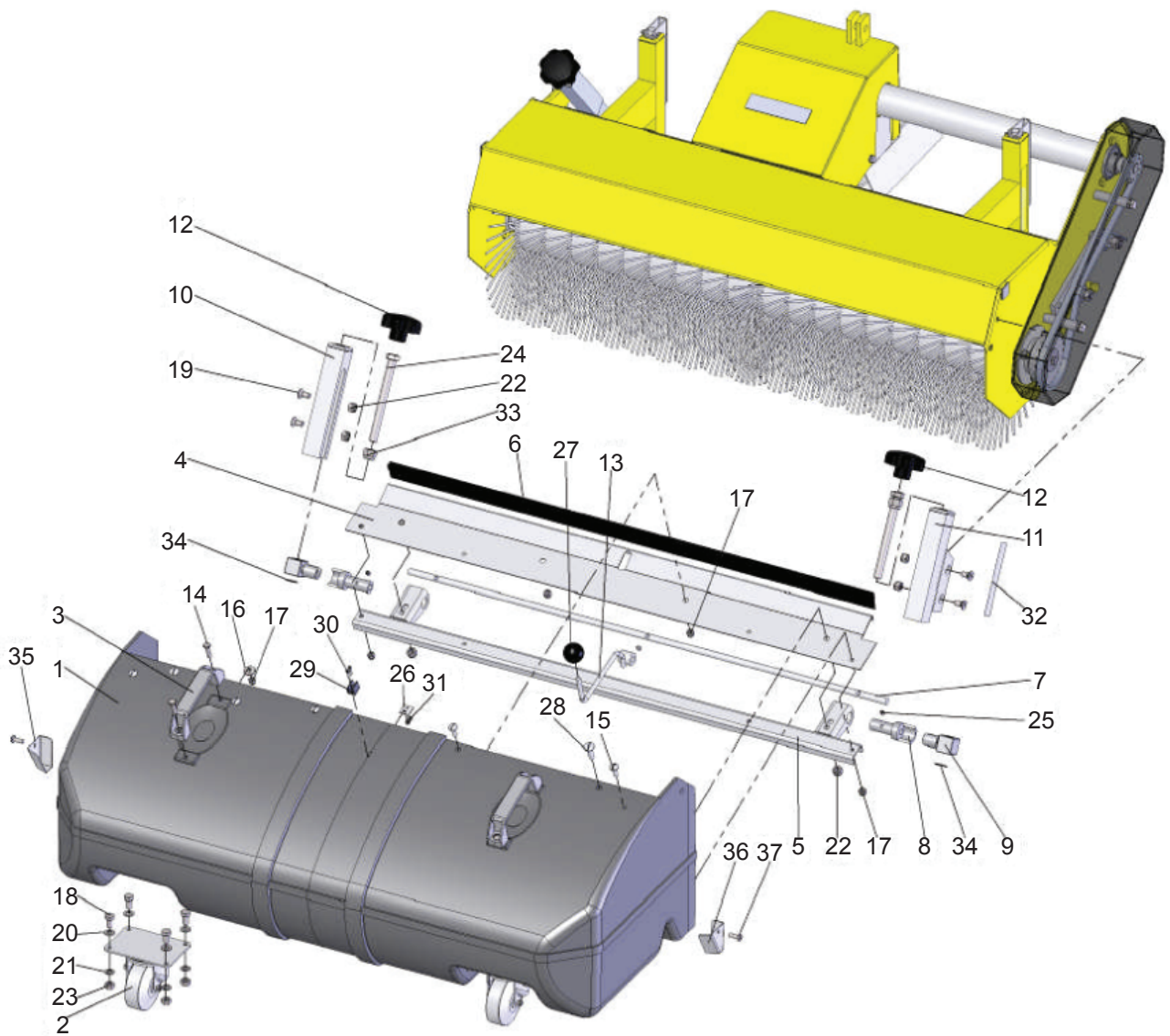
Utgåva Issue 17 - 2015		Chassie		Chassis	
Pos. Fig.	Antal Q.ty	Art nr Part No	Benämning	Description	Anmärkning Notes
1	1	1319-3574-01	Hus	Housing	
2	1	1319-3560-01	Vinkelväxel	Angle Gearbox	
3	1	1319-3587-01	Drivaxel	Drive Shaft	
4	1	9650-0025-04	Segersäkringsåkring Sga 25	Circlip	
5	1	1319-3578-01	Spännarm	Tension Lever	
6	1	1319-3556-01	Kedjespännhjul	Chain Tensioner Wheel	
7	3	1319-3561-01	Kullager	Ball Bearing	
8	3	1319-3562-01	Lagerskal	Bearing Cup	
9	1	1319-3506-01	Drivaxeltapp-Vä	Drive Shaft Pin, Left	
10	5	1319-3546-01	Bricka	Washer	
11	1	1319-3549-01	Plattkil 8X7X15	Flat Key	L = 15 mm
12	1	1319-3548-01	Plattkil 8X7X30	Flat Key	L = 30 mm
13	1	1319-3507-01	Drivaxeltapp-Hö	Drive Shaft Pin, Right	
14	1	1319-3501-01	Drivaxelrör	Drive Shaft Tube	
15	1	1319-3580-01	Remskiva	Belt Pulley	
16	1	9907-0610-16	Skruv	Screw	
17	1	1319-3503-01	Sopvals Kpl (Bestar Av 2 Halvor)	Brush Assy (Consists Of 2 Halves)	Sats 2 st/kit of 2
18	1	1319-3500-01	Gångstang	Threaded Rod	
19	2	1319-3523-01	Vridhandtag	Turning Handle Grip	
20	2	9997-0525-16	Skruv	Screw	
21	2	9747-0531-02	Mutter	Nut	
22	2	1319-3569-01	SkyddsPlugg	Cap	
23	1	1319-3577-01	Remstyrning	Belt Guide	
24	1	1319-3583-01	Kedjeskydd	Chain Guard	
25	2	1319-3579-01	Distans	Spacer	
26	1	1319-3586-01	Kedjehjul	Chain Wheel	10T
27	1	1319-3555-01	Kedjehjul	Chain Wheel	22T
28	1	1319-3553-01	Kedja	Chain	
29	1	1319-3554-01	Kedjelas	Chain Lock	
30	6	9699-0025-02	Bricka	Washer	
31	4	9997-0620-16	Skruv	Screw	
32	2	9747-0631-02	Mutter   Lasmutter	Nut	
33	4	9997-1012-02	Skruv	Screw	
34	1	9997-1055-12	Skruv	Screw	
35	10	9699-0035-02	Bricka	Washer	
36	1	9683-0040-02	Bricka	Washer	
37	5	9747-1031-02	Mutter   Lasmutter	Nut	
38	2	9799-1031-02	Mutter	Nut	
39	1	9699-0109-02	Bricka	Washer	
40	1	9650-0016-04	Sparring Sga 16	Circlip	
41	1	1319-3551-01	Fjäder	Spring	
42	1	1319-3547-01	Plattkil 5X5X12	Flat Key	L = 12 mm
43	2	1319-3508-01	SHarnalssprintdel	Spindle	
44	2	1319-3502-01	Stödhjulshallare	Support Wheel Tube	
45	2	1319-3563-01	Stödhjul	Support Wheel	
46	1	1319-3529-01	Bricka	Washer	
47	2	1319-3544-01	Skruv	Screw	
48	2	9699-0037-02	Bricka	Washer	
49	2	9683-0055-02	Bricka	Washer	



Utgåva Issue 17 - 2015		Chassie Chassis			
Pos. Fig.	Antal Q.ty	Art nr Part No	Benämning	Description	Anmärkning Notes
50	1	1319-3582-01	Skyddsror	Tube Guard	
51	1	9997-0816-16	Skruv	Screw	
52	4	9997-0820-16	Skruv	Screw	
53	13	9683-0030-02	Bricka	Washer	
54	4	9699-0028-02	Bricka	Washer	
55	9	9799-0831-02	Mutter	Nut	
56	1	1134-9149-01	Kilrem	V-Belt	
57	1	1134-9150-01	Kilrem	V-Belt	



Utgåva Issue 17 - 2015		Ram		Frame	
Pos. Fig.	Antal Q.ty	Art nr Part No	Benämning	Description	Anmärkning Notes
1	1	1319-3585-01	Tvärstag	Cross Bracket	
2	1	1319-3584-01	Monteringsstag-Hö	Mounting Bar-Rh	
3	1	1319-3588-01	Monteringsstag-Vä	Mounting Bar-Lh	
4	2	1319-3581-01	Bussning	Bushing	
5	1	1319-3525-01	Justerhylsa-Undre	Adjusting Tube-Lower	
6	1	1319-3524-01	Justerhylsa-Övre	Adjusting Tube-Upper	
7	1	9997-1065-12	Skruv	Screw	
8	5	9699-0109-02	Bricka	Washer	
9	5	9699-0035-02	Bricka	Washer	
10	1	9683-0040-02	Bricka	Washer	
11	4	9747-1031-02	Mutter   Lasmutter	Nut	
12	1	9787-1031-32	Mutter	Nut	
13	1	1319-3528-01	Bussning	Bushing	
14	6	9997-0830-16	Skruv	Screw	
15	12	9699-0028-02	Bricka	Washer	
16	6	9747-0831-02	Mutter   Lasmutter	Nut	
17	1	9699-0037-02	Bricka	Washer	
18	1	1319-3568-01	Justerratt	Knob	
19	1	1319-3541-01	Skruv	Screw	
20	1	9959-1030-16	Skruv	Screw	
21	1	9959-1045-12	Skruv	Screw	
22	1	1319-3575-01	Lyftskena	Lift Plate	
23	1	1319-3573-01	Justerstag	Adjusting Bar	
24	1	9939-0612-16	Skruv	Screw	
25	1	1319-3576-01	Bussning	Bushing	
26	1	1319-3543-01	Skruv	Screw	
27	1	1319-3565-01	Lasvröd M10X20	Locking Lever	
28	1	9997-1040-16	Skruv	Screw	
29	1	1319-3571-01	Dekal	Label	
30	1	9747-1231-02	Mutter	Nut	
31	1	1319-3572-01	Dekal	Label	
32	1	1319-3570-01	Dekal	Label	
33	2	1319-3526-01	Dekal	Label	





Utgåva Issue 17 - 2015		Uppsamlare Lawn sweeper			
Pos. Fig.	Antal Q.ty	Art nr Part No	Benämning	Description	Anmärkning Notes
1	1	1319-3504-01	Behållare	Container	
2	2	1319-3564-01	Stödhjul	Support Wheel	
3	2	1319-3567-01	Handtag	Grip	
4	1	1319-3505-01	Stödskena	Support Plate	
5	1	1319-3537-01	Svärd	Bar	
6	1	1319-3536-01	Gummilist	Rubber Strip	
7	1	1319-3538-01	Lasaxel	Lock Shaft	
8	2	1319-3530-01	Lasrör	Catch Tube-Container	
9	2	1319-3532-01	Lasklots	Lock Device	
10	1	1319-3534-01	Styrskena-Hö	Guide Tube-Rh	
11	1	1319-3533-01	Styrskena-Vä	Guide Tube-Lh	
12	2	1319-3568-01	Justerratt	Knob	
13	1	1319-3531-01	Lasspak-Uppsamlare	Lock Handle-Container	
14	4	9997-0625-16	Skruv	Screw	
15	6	9948-0630-16	Skruv	Screw	
16	4	9699-0085-02	Bricka	Washer	
17	10	9747-0631-02	Mutter   Lasmutter	Nut	
18	8	9997-0816-16	Skruv	Screw	
19	4	9924-0816-16	Skruv	Screw	
20	8	9699-0028-02	Bricka	Washer	
21	8	9683-0030-02	Bricka	Washer	
22	6	9747-0831-02	Mutter   Lasmutter	Nut	
23	8	9799-0831-02	Mutter	Nut	
24	2	1319-3540-01	Skruv	Screw	
25	3	1319-3545-01	Skruv	Screw	
26	1	1319-3535-01	Spakhallare-Mothall	Lever	
27	1	9403-0036-70	Knopp	Knob	
28	2	9948-0630-16	Skruv	Screw	
29	1	1319-3552-01	Spakhallare	Lever	
30	2	082-721-01	Skruv	Screw	
31	2	9799-0331-02	Mutter	Nut	
32	2	1319-3526-01	Dekal	Label	
33	2	9747-1231-02	Mutter	Nut	
34	2	9675-0015-02	Lasbricka	Starlock	
35	1	1319-3590-01	Kantskydd-Hö	Edge Guard-Rh	
36	1	1319-3589-01	Kantskydd-Vä	Edge Guard-Lh	
37	2	9948-0616-16	Skruv	Screw	

code	pos.	q.ty	page				
082-721-01	30	2	p. 9	1319-3583-01	24	1	p. 3
1134-9149-01	56	1	p. 5	1319-3584-01	2	1	p. 7
1134-9150-01	57	1	p. 5	1319-3585-01	1	1	p. 7
1319-3500-01	18	1	p. 3	1319-3586-01	26	1	p. 3
1319-3501-01	14	1	p. 3	1319-3587-01	3	1	p. 3
1319-3502-01	44	2	p. 3	1319-3588-01	3	1	p. 7
1319-3503-01	17	1	p. 3	1319-3589-01	36	1	p. 9
1319-3504-01	1	1	p. 9	1319-3590-01	35	1	p. 9
1319-3505-01	4	1	p. 9	9403-0036-70	27	1	p. 9
1319-3506-01	9	1	p. 3	9650-0016-04	40	1	p. 3
1319-3507-01	13	1	p. 3	9650-0025-04	4	1	p. 3
1319-3508-01	43	2	p. 3	9675-0015-02	34	2	p. 9
1319-3523-01	19	2	p. 3	9683-0030-02	21	8	p. 9
1319-3524-01	6	1	p. 7	9683-0030-02	53	13	p. 5
1319-3525-01	5	1	p. 7	9683-0040-02	10	1	p. 7
1319-3526-01	32	2	p. 9	9683-0040-02	36	1	p. 3
1319-3526-01	33	2	p. 7	9683-0055-02	49	2	p. 3
1319-3528-01	13	1	p. 7	9699-0025-02	30	6	p. 3
1319-3529-01	46	1	p. 3	9699-0028-02	15	12	p. 7
1319-3530-01	8	2	p. 9	9699-0028-02	20	8	p. 9
1319-3531-01	13	1	p. 9	9699-0028-02	54	4	p. 5
1319-3532-01	9	2	p. 9	9699-0035-02	9	5	p. 7
1319-3533-01	11	1	p. 9	9699-0035-02	35	10	p. 3
1319-3534-01	10	1	p. 9	9699-0037-02	17	1	p. 7
1319-3535-01	26	1	p. 9	9699-0037-02	48	2	p. 3
1319-3536-01	6	1	p. 9	9699-0085-02	16	4	p. 9
1319-3537-01	5	1	p. 9	9699-0109-02	8	5	p. 7
1319-3538-01	7	1	p. 9	9699-0109-02	39	1	p. 3
1319-3540-01	24	2	p. 9	9747-0531-02	21	2	p. 3
1319-3541-01	19	1	p. 7	9747-0631-02	17	10	p. 9
1319-3543-01	26	1	p. 7	9747-0631-02	32	2	p. 3
1319-3544-01	47	2	p. 3	9747-0831-02	16	6	p. 7
1319-3545-01	25	3	p. 9	9747-0831-02	22	6	p. 9
1319-3546-01	10	5	p. 3	9747-1031-02	11	4	p. 7
1319-3547-01	42	1	p. 3	9747-1031-02	37	5	p. 3
1319-3548-01	12	1	p. 3	9747-1231-02	30	1	p. 7
1319-3549-01	11	1	p. 3	9747-1231-02	33	2	p. 9
1319-3551-01	41	1	p. 3	9787-1031-32	12	1	p. 7
1319-3552-01	29	1	p. 9	9799-0331-02	31	2	p. 9
1319-3553-01	28	1	p. 3	9799-0831-02	23	8	p. 9
1319-3554-01	29	1	p. 3	9799-0831-02	55	9	p. 5
1319-3555-01	27	1	p. 3	9799-1031-02	38	2	p. 3
1319-3556-01	6	1	p. 3	9907-0610-16	16	1	p. 3
1319-3560-01	2	1	p. 3	9924-0816-16	19	4	p. 9
1319-3561-01	7	3	p. 3	9939-0612-16	24	1	p. 7
1319-3562-01	8	3	p. 3	9948-0616-16	37	2	p. 9
1319-3563-01	45	2	p. 3	9948-0630-16	15	6	p. 9
1319-3564-01	2	2	p. 9	9948-0630-16	28	2	p. 9
1319-3565-01	27	1	p. 7	9959-1030-16	20	1	p. 7
1319-3567-01	3	2	p. 9	9959-1045-12	21	1	p. 7
1319-3568-01	12	2	p. 9	9997-0525-16	20	2	p. 3
1319-3568-01	18	1	p. 7	9997-0620-16	31	4	p. 3
1319-3569-01	22	2	p. 3	9997-0625-16	14	4	p. 9
1319-3570-01	32	1	p. 7	9997-0816-16	18	8	p. 9
1319-3571-01	29	1	p. 7	9997-0816-16	51	1	p. 5
1319-3572-01	31	1	p. 7	9997-0820-16	52	4	p. 5
1319-3573-01	23	1	p. 7	9997-0830-16	14	6	p. 7
1319-3574-01	1	1	p. 3	9997-1012-02	33	4	p. 3
1319-3575-01	22	1	p. 7	9997-1040-16	28	1	p. 7
1319-3576-01	25	1	p. 7	9997-1055-12	34	1	p. 3
1319-3577-01	23	1	p. 3	9997-1065-12	7	1	p. 7
1319-3578-01	5	1	p. 3				
1319-3579-01	25	2	p. 3				
1319-3580-01	15	1	p. 3				
1319-3581-01	4	2	p. 7				
1319-3582-01	50	1	p. 5				