



Reservdelskatalog Parts Catalogue

TORNADO 3098 H

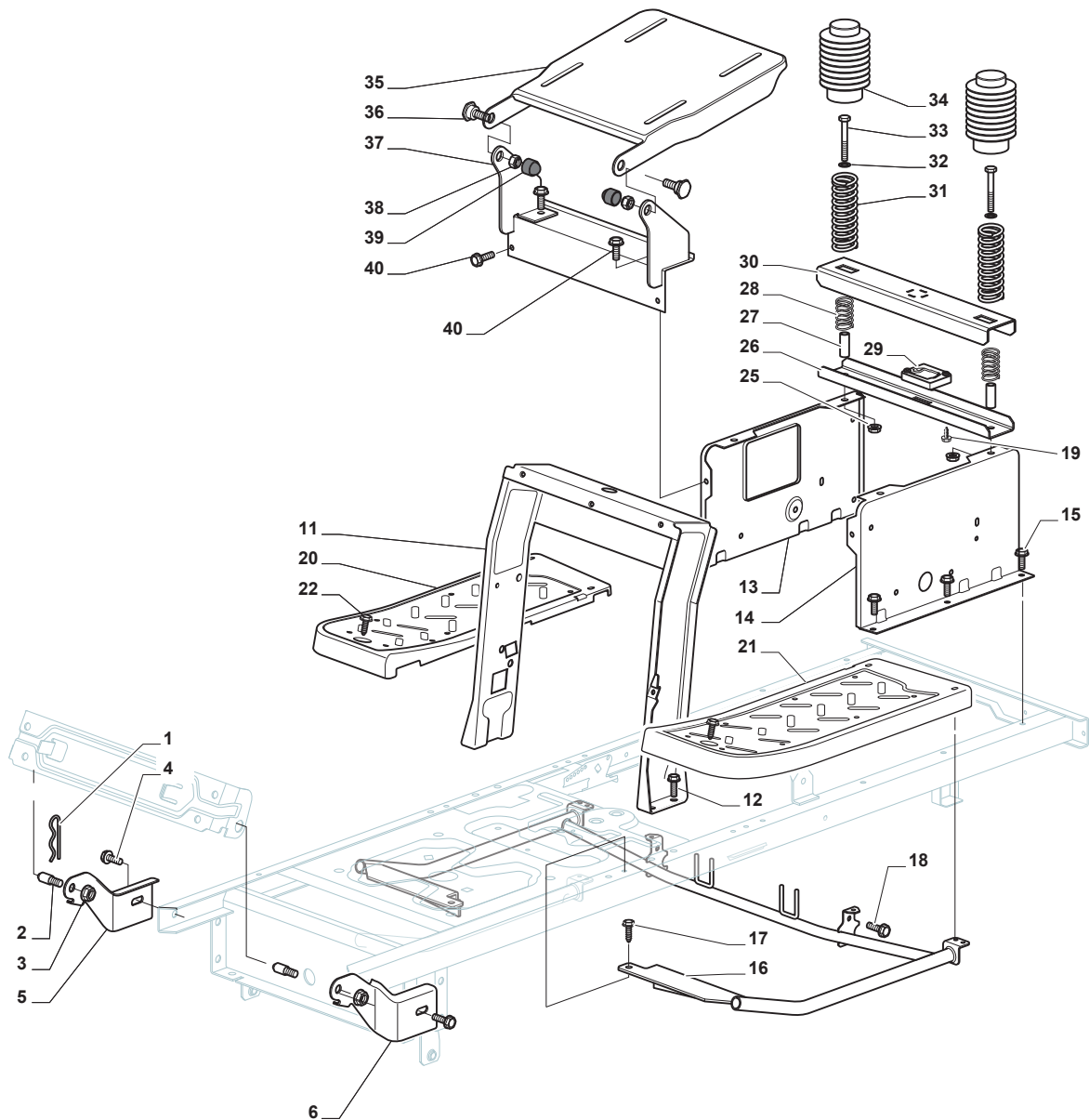
2T0630281/14 - Season 2016

- Use GLOBAL GARDEN PRODUCT Genuine Spare Parts specified in the parts list for repair and/or replacement.
 - The contents described in the parts list may change due to improvement.
 - The drawings of the spare parts are only indicative and might not represent the part in question exactly.
 - The indications "right" - "left" - "front" - "rear" refer to the position of the operator when using the machine.
- When placing orders of parts for repair and/or replacement, make sure that the illustrated parts list is the one applying to the machine's year of manufacture, as shown on the identification plate attached to the machine.

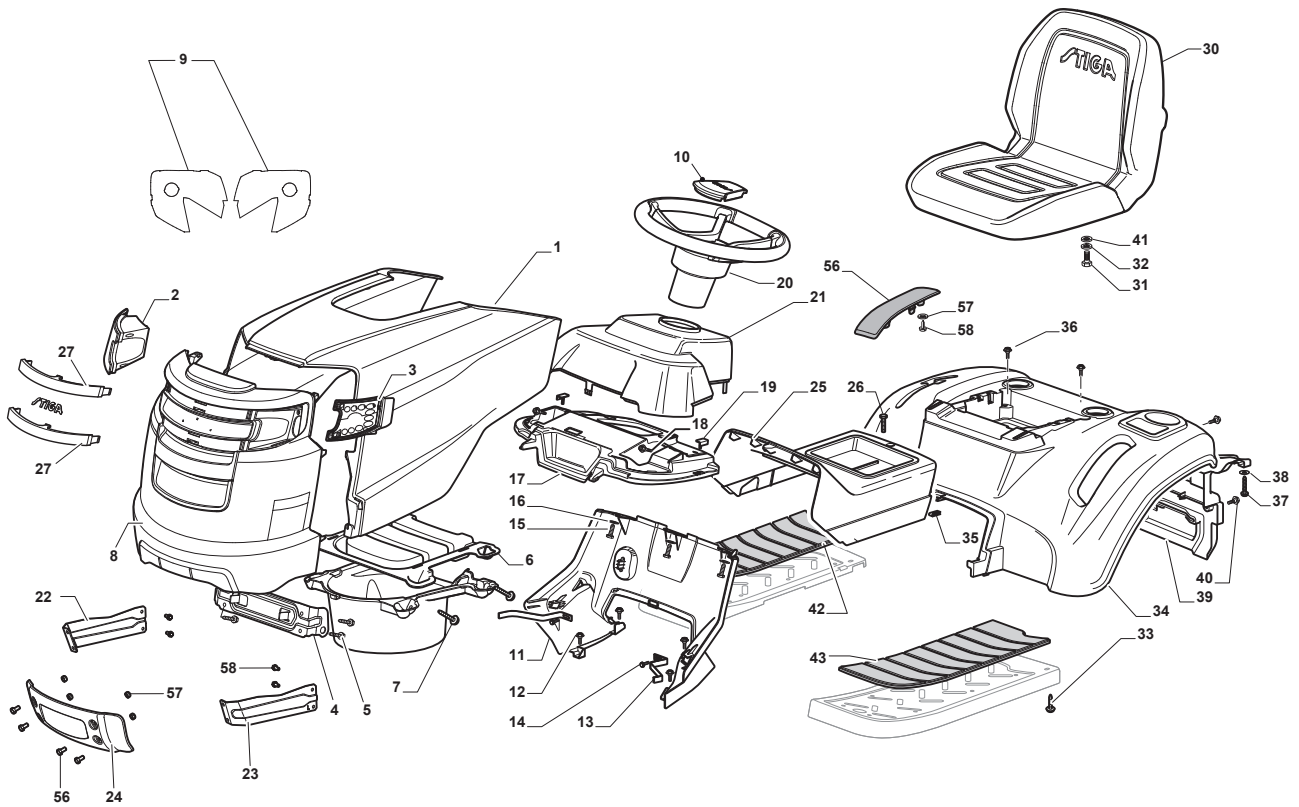
© Copyright 2016 Global Garden Products

All rights reserved. No part of this material may be reproduced or transmitted, in any form or by any means, electronic or mechanical, including photocopying, recording or by any information storage and retrieval system, without permission in writing from GLOBAL GARDEN PRODUCTS.

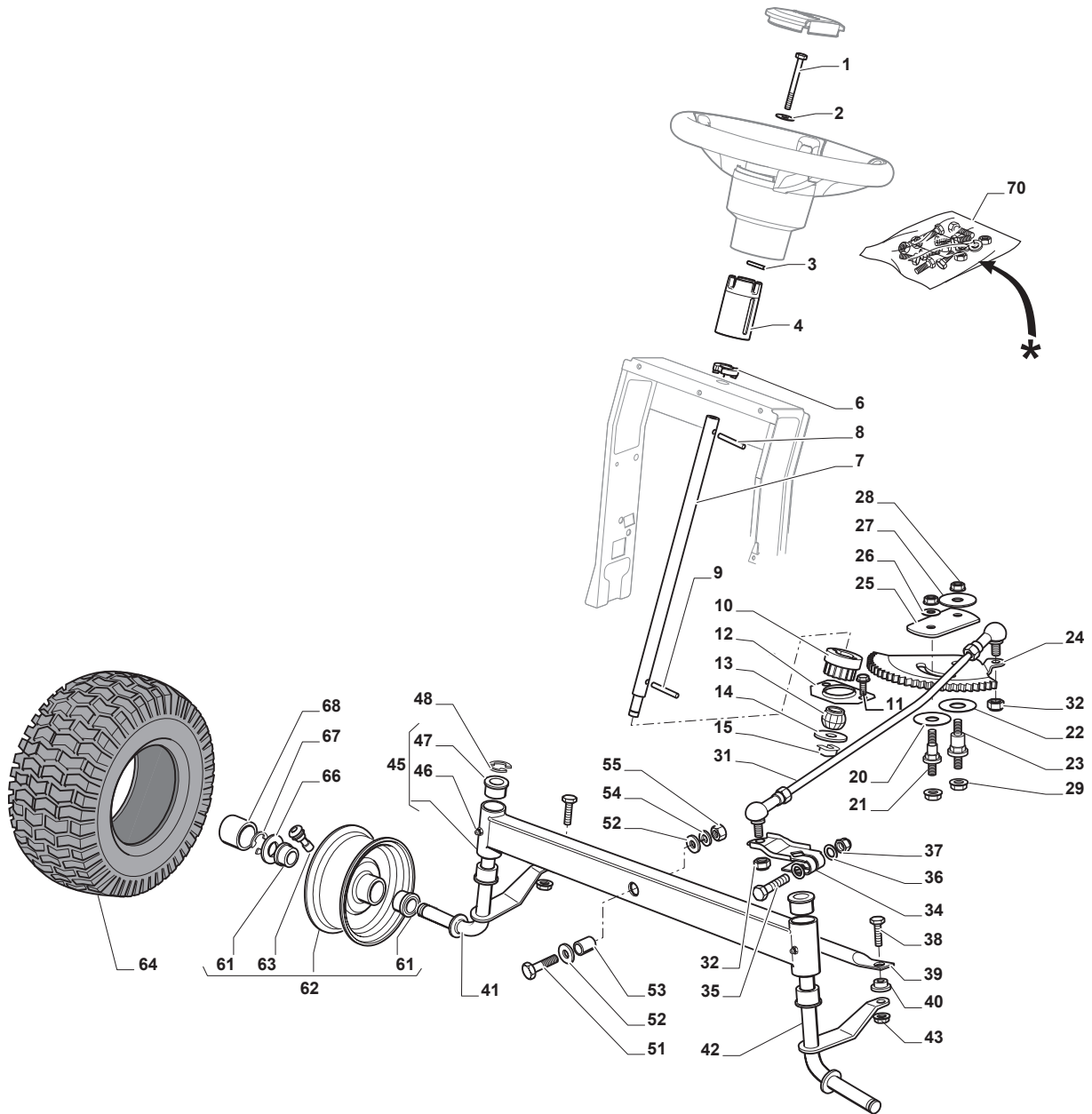
www.stiga.com



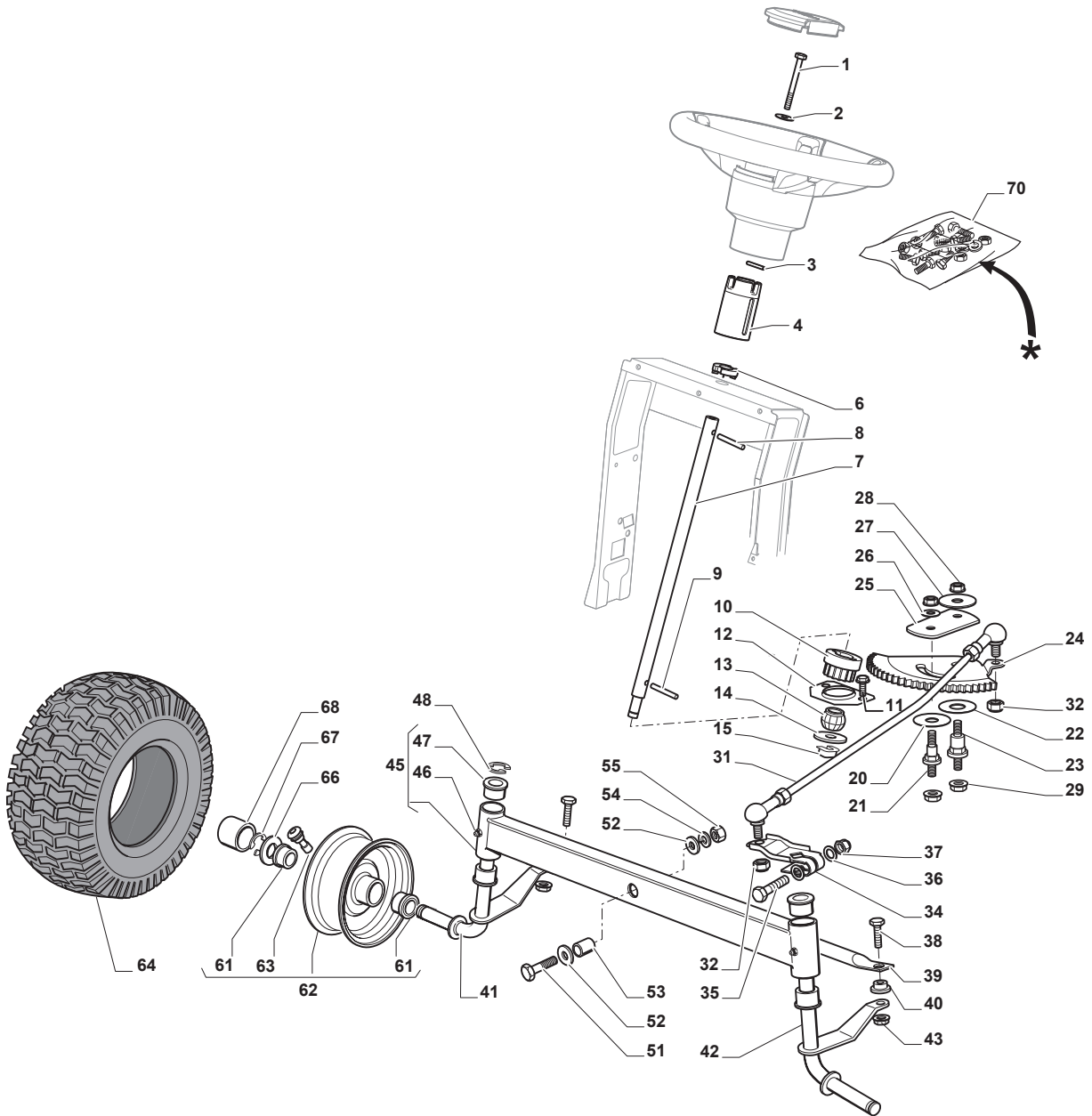
Utgåva Issue 3 - 2016		Kaross		Chassis	
Pos. Fig.	Antal Q.ty	Art nr Part No	Benämning	Description	Anmärkning Notes
1	1	124487998/0	Fjäder Clip	Cotter Pin	
2	2	125510079/1	Stift	Pin	
3	2	112155000/0	Mutter	Nut	
4	2	112735599/0	Skruv	Screw	
5	1	325547225/0	Plat	Right Plate	
6	1	325547227/0	Plat	Left Plate	
11	1	382785169/1	Rättrörsfäste	Steering Column Support	
12	4	125943009/0	Skruv	Screw	
13	1	325785331/1	Fäste	Right Seat Support	
14	1	325785333/1	Vänster Sitsfäste	Left Seat Support	
15	6	125943009/0	Skruv	Screw	
16	1	382785179/0	Fotsteg	Footboard Support	
17	2	125943009/0	Skruv	Screw	
18	2	125943009/0	Skruv	Screw	
19	2	112728686/0	Skruv	Screw	
20	1	325500041/1	Fotstöd	Right Footboard	
21	1	325500043/1	Fotstöd	Left Footboard	
22	2	112735599/0	Skruv	Screw	
25	2	112293201/0	Mutter	Nut	
26	1	325820109/0	Förstärkning	Seat Support	
26	1	325820109/1	Bakre Sitsfäste	Seat Support	
27	2	125160048/0	Distans	Spacer	
28	2	125430263/0	Fjäder	Spring	
29	1	325785379/1	Fäste	Support	
30	1	325820111/1	Brytare Comand Cross	Switch Comand Cross	
31	2	125430264/0	Fjäder	Spring	
32	2	112521350/0	Bricka	Washer	
33	2	112691400/0	Skruv	Screw	
34	2	325122002/0	Huv	Hood	
35	1	382547061/0	Plat	Plate	
36	2	122524970/3	Stift	Pin	
37	1	382820151/0	Sitsfäste	Seat Support	
38	2	112155010/0	Mutter	Nut	
39	2	118203854/0	Lock	Cap	
40	4	125943009/0	Skruv	Screw	



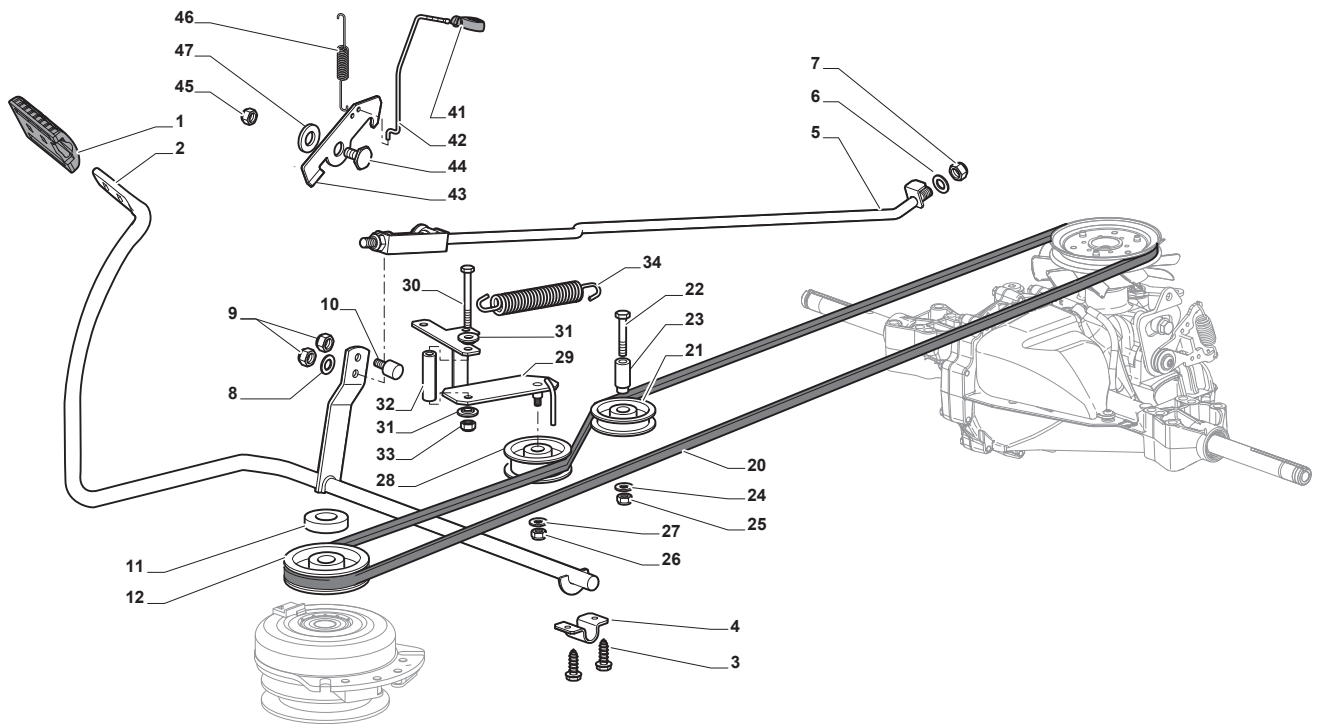
Utgåva Issue 3 - 2016		Kaross Body			
Pos. Fig.	Antal Q.ty	Art nr Part No	Benämning	Description	Anmärkning Notes
17	1	325120259/1	Panel	Dashboard	
1	1	325076912/0	Motorhuv Gul	Engine Hood Yellow	
2	1	382185502/0	Right Led Light	Right Led Light	
3	1	382185503/0	Left Led Light	Left Led Light	
4	1	325785365/0	Huvfäste Sds-Sdx	Engine Hood Support	
5	4	112735403/0	Skruv	Screw	
6	1	325108044/1	Luftledare	Conveyor	
7	4	112728692/0	Skruv	Screw	
8	1	325076954/0	Frontal Hood	Frontal Hood	
9	2	114363452/0	Dekal	Label	
10	1	325580508/0	Styrkonsolkapa, Svart	Steering Plate Cover	
11	1	325785298/0	Panelfäste	Dashboard Support	
12	4	125943010/0	Skruv	Screw	
13	2	325270325/0	Ledplat	Guide	
14	2	112735599/0	Skruv	Screw	
15	3	112735406/0	Skruv	Screw	
16	3	112523040/0	Bricka	Washer	
18	2	125943010/0	Skruv	Screw	
19	2	325260003/0	Plugg	Grommet	
20	1	325961221/1	Ratt	Steering wheel	
21	1	325120203/0	Kapa	Cover	
22	1	382785255/0	Right Support	Right Support	
23	1	382785257/0	Left Support	Left Support	
24	1	382263501/0	Stötfångare	Bumper	
25	1	325110463/0	Grey Central Cover	Grey Central Cover	
26	1	125943010/0	Skruv	Screw	
27	2	325076955/0	Frontal Moulding	Frontal Moulding	
30	1	125722477/0	Seat	Seat	
31	4	112792611/0	Skruv	Screw	
32	4	112540260/0	Lasbricka 8.4X15X0.8	Grower	
33	4	112735406/0	Skruv	Screw	
34	1	325110399/0	Hjulskapa-gul	Yellow Wheels Cover	
35	1	112437506/0	Plat	Plate	
36	2	125943010/0	Skruv	Screw	
37	2	112735406/0	Skruv	Screw	
38	2	112523040/0	Bricka	Washer	
39	1	325547208/2	Plåt	Plate	
40	2	125943010/0	Skruv	Screw	
41	4	112523060/0	Bricka	Washer	
42	1	325110384/0	Fotstegsskydd-hö	Right Footboard Cover	
43	1	325110385/0	Fotstegsskydd-vä	Left Footboard Cover	
55	1	325207191/0	Plat	Plate	
56	4	112792611/0	Skruv	Screw	
57	4	112155000/0	Mutter	Nut	
58	4	112735599/0	Skruv	Screw	



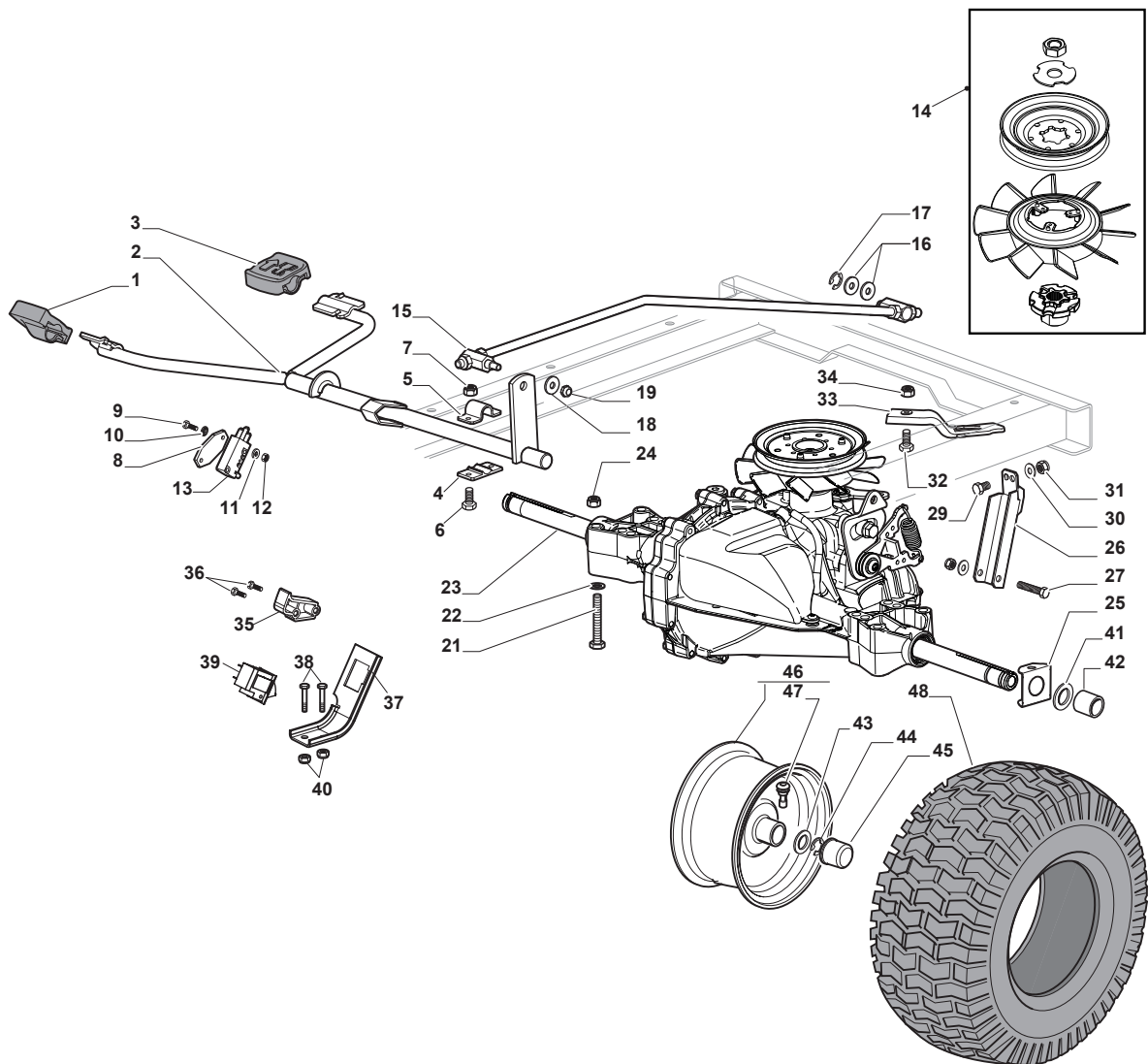
Utgåva Issue 3 - 2016		Steering			
Pos. Fig.	Antal Q.ty	Art nr Part No	Benämning	Description	Anmärkning Notes
1	1	112692050/0	Skruv	Screw	
2	1	112540260/0	Lasbricka 8.4X15X0.8	Grower	
3	1	112523070/0	Bricka	Washer	
4	1	382785266/0	Fäste	Support	
6	1	325038008/0	Bussning	Bushing	
7	1	125520007/0	Rattstang	Steering Column	
8	1	112620300/0	Fjäder	Spring	
9	1	112622650/0	Stift	Dowel pin	
10	1	125570003/0	Drev	Pinion	
11	2	127943051/0	Skruv	Screw	
12	1	325785213/1	Fäste	Support	
13	1	325743000/0	Länk	Joint	
14	1	112521370/0	Bricka	Washer	
15	1	112436030/0	Plat	Plate	
20	1	322672151/0	Bricka	Antifriction Washer	
21	1	125510104/0	Stift	Pin	
22	1	125670023/0	Bricka	Washer	
23	1	125510109/0	Stift	Pin	
24	1	325735519/0	Segment	Steering Sector	
25	1	325547233/0	Plat	Plate	
26	1	112369500/0	Bricka	Elastic Washer	
27	1	122160400/0	Fjäderbricka	Elastic Disc	
28	2	112155010/0	Mutter	Nut	
29	2	112155010/0	Mutter	Nut	
31	1	382000566/2	Rattstang	Steering Rod	
32	2	112156602/0	Mutter	Nut	
34	1	325318243/0	Spak	Lever	
35	1	112692390/0	Skruv	Screw	
36	2	112521360/0	Bricka	Washer	
37	1	112156602/0	Mutter	Nut	
38	2	125510103/0	Stift	Pin	
39	1	325840029/0	Parallellstag	Tie Rod	
40	2	325038007/0	Bussning	Bushing	
41	1	382230373/0	Spindel Höger	Right Stub Axle	
42	1	382230375/0	Spindel-vä	Left Stub Axle	
43	2	112155000/0	Mutter	Nut	
45	1	382034030/0	Framaxel	Equalizer With Bush And Lubricator	
46	2	112379511/0	Smörjnippel	Grease Dispenser	
47	4	125034002/1	Bussning	Bushing	
48	1	112001010/0	Lasring	Benzing Ring	
51	1	112692695/0	Skruv	Screw	
52	2	112523100/0	Bricka	Washer	
53	1	125160016/0	Distans	Spacer	
54	1	112587100/0	Fj.Bricka 13X21X2.5	Grower	
55	1	112295300/0	Mutter	Nut	
61	4	125122200/2	Kullager	Bearing	
62	2	182000598/0	Fälg kpl	Rimm	
63	2	125950000/0	Ventil	Valve	
64	2	125590020/0	Däck	Tyre	



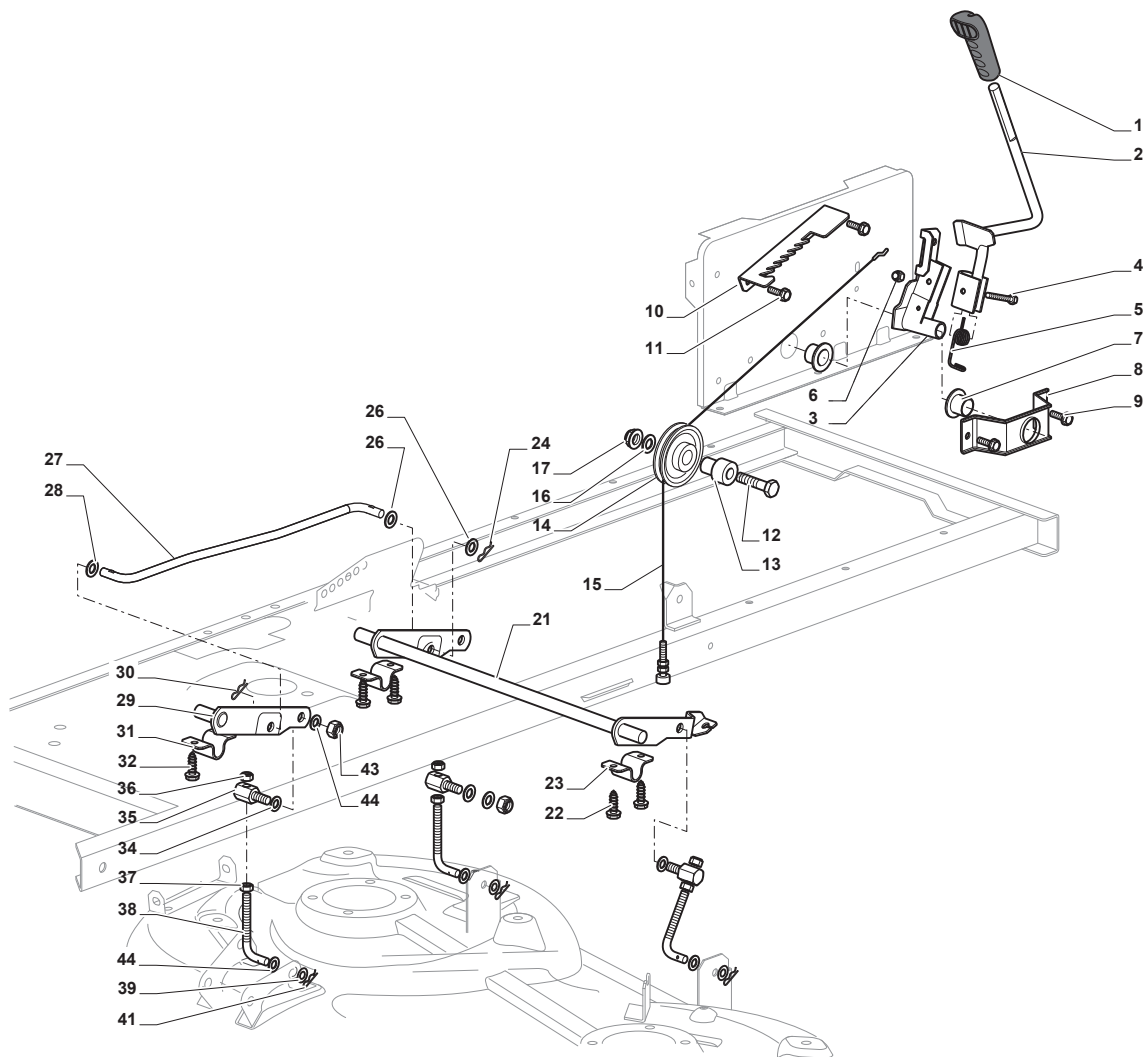
Utgåva Issue 3 - 2016		Steering			
Pos. Fig.	Antal Q.ty	Art nr Part No	Benämning	Description	Anmärkning Notes
64	2	127590066/0	Däck	Tyre	
66	2	125670005/1	Bricka	Washer	
67	2	112001010/0	Lasring	Benzing Ring	
70	1	382180124/0	Skruvsats	Outfit, Screws	
68	2	322110239/0	Navkapsel	Hub Cover	



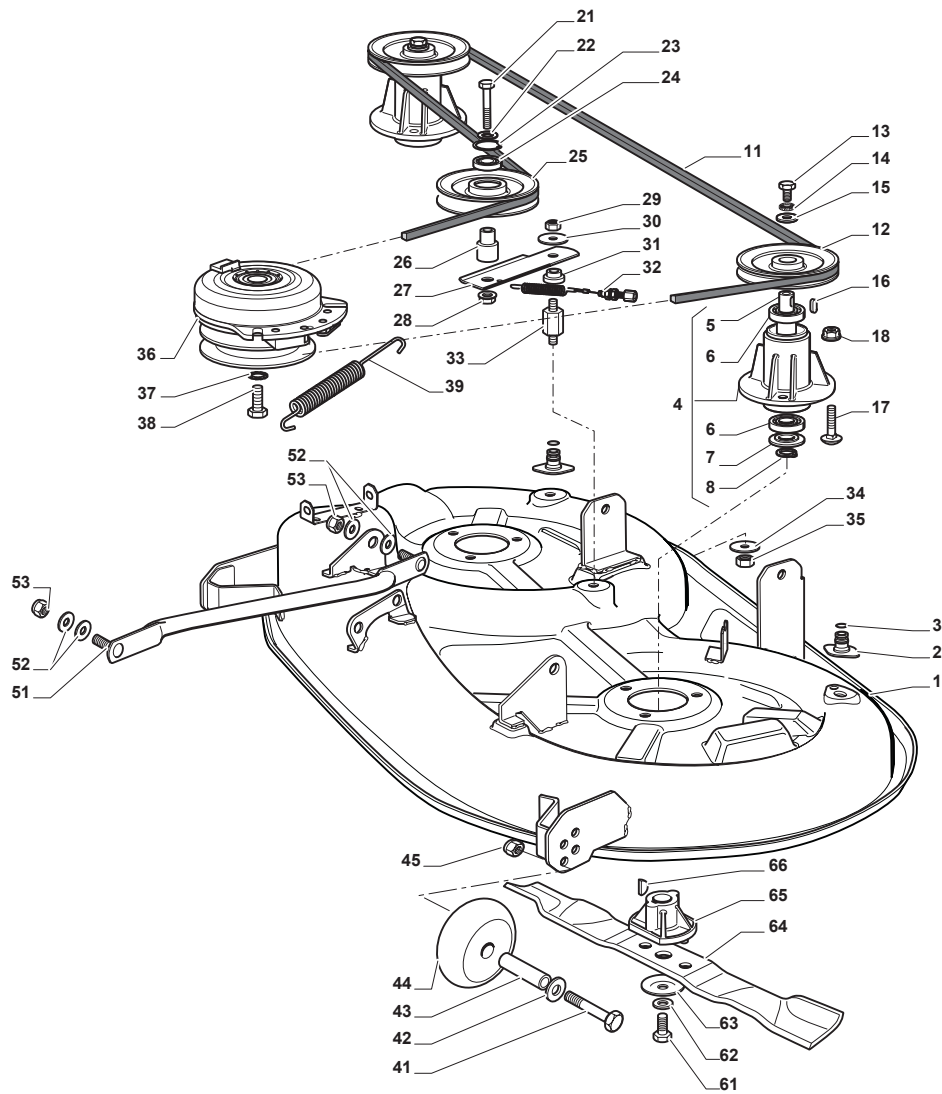
Utgåva Issue 3 - 2016		Broms och växelreglage		Brake And Gearbox Controls	
Pos. Fig.	Antal Q.ty	Art nr Part No	Benämning	Description	Anmärkning Notes
1	1	325110409/0	Fäste	Clamp Cover	
2	1	382000641/0	Pedalaxel	Pedal	
3	4	112735599/0	Skruv	Screw	
4	2	325547231/0	Plat	Plate	
5	1	382000576/0	Stang	Rod	
6	1	112521360/0	Bricka	Washer	
7	1	112156602/0	Mutter	Nut	
8	1	325670011/0	Bricka	Antifriction Washer	
9	2	112155000/0	Mutter	Nut	
10	1	125510116/0	Stift	Pin	
11	1	125160021/0	Distans	Spacer	
12	1	125601577/0	Remskiva	Pulley	
20	1	135062003/0	Drivrem	Belt	
21	1	325601599/0	Remskiva	Pulley	
22	1	112691400/0	Skruv	Screw	
23	1	125160083/0	Distans	Spacer	
24	1	112523060/0	Bricka	Washer	
25	1	112155000/0	Mutter	Nut	
26	1	112155000/0	Mutter	Nut	
27	1	112523060/0	Bricka	Washer	
28	1	125601554/0	Remskiva	Pulley	
29	1	382318245/0	Spak	Lever	
30	1	112691600/0	Skruv	Screw	
31	2	125038002/1	Bussning	Bushing	
32	1	125160027/0	Distans	Spacer	
33	1	112155000/0	Mutter	Nut	
34	1	125430262/0	Fjäder	Spring	
41	1	125394509/1	Knopp	Knob	
42	1	125033113/0	Stang	Rod	
43	1	325253011/1	Krok	Hook	
44	1	122524970/3	Stift	Pin	
45	1	112155000/0	Mutter	Nut	
46	1	125430213/0	Fjäder	Spring	
47	1	112523060/0	Bricka	Washer	



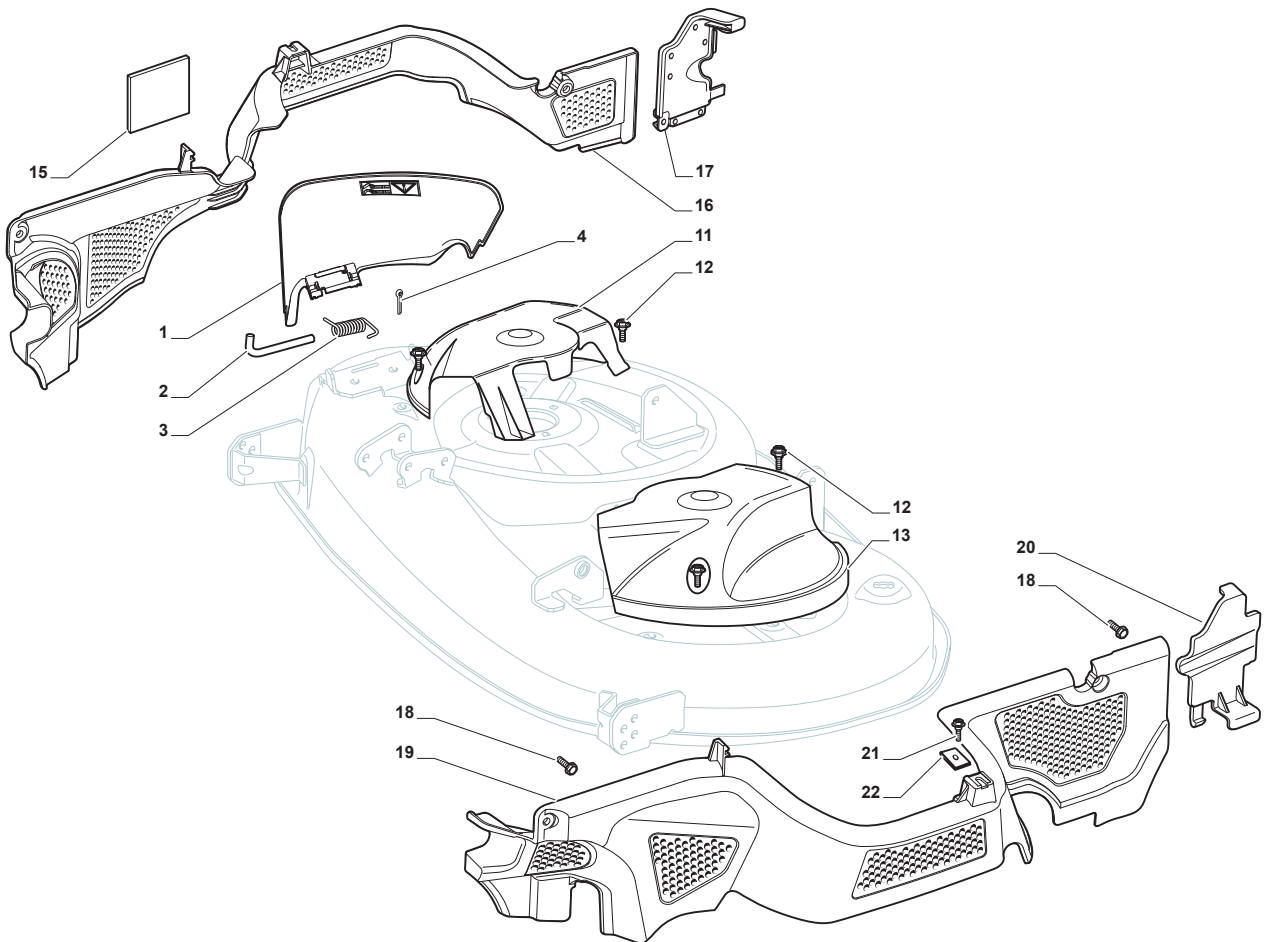
Utgåva Issue 3 - 2016		Kaross	Body		
Pos. Fig.	Antal Q.ty	Art nr Part No	Benämning	Description	Anmärkning Notes
13	1	119410609/1LC	Mikrobrytare	Micro Switch	
41	1	125670005/2	Bricka	Washer	
1	1	325110274/0	Fäste	Clamp Cover Front	
2	1	382000574/2	Drivpedal	Drive Pedal	
3	1	325110331/0	Fäste	Clamp Cover Rear	
4	2	325785350/0	Fäste	Support	
5	2	325547231/0	Plat	Plate	
6	4	112735599/0	Skruv	Screw	
7	4	112154510/0	Mutter	Nut	
8	1	327546019/0	Plat	Neutral Switch Fixing Plate	
9	2	112735602/0	Skruv	Screw	
10	2	112540020/0	Bricka	Washer	
11	2	112581100/0	Fj.Bricka Fbb 3.1X5.7X0.8 (M3)	Grower	
12	2	112290791/0	Mutter	Nut	
14	1	118802723/0	Kit, Fläkt-Remskiva	Fan Kit	
15	1	382000573/1	Stang	Rod	
16	2	325670011/0	Bricka	Antifriction Washer	
17	1	112000940/0	Ring	Benzing Ring	
18	1	112523040/0	Bricka	Washer	
19	1	112154510/0	Mutter	Nut	
21	4	112691600/0	Skruv	Screw	
22	4	112521350/0	Bricka	Washer	
23	1	118400919/2	Transaxel Kpl	Rear Axle	Hydro-Gear T2-Adbf-2X3C-17X1
24	4	112155000/0	Mutter	Nut	
25	2	325670026/0	Bricka	Washer	
26	1	325785349/1	Fäste	Support	
27	1	112691700/0	Skruv	Screw	
29	1	112792611/0	Skruv	Screw	
30	2	112523060/0	Bricka	Washer	
31	2	112155000/0	Mutter	Nut	
32	1	112791213/1	Skruv	Screw	
33	1	325318251/0	Spak	Lever	
34	1	112154510/0	Mutter	Nut	
35	1	325060034/1	Cam	Cam	
36	2	112735403/0	Skruv	Screw	
37	1	325774573/0	Fäste	Clamp	
38	2	112791400/0	Skruv	Screw	
39	1	119410614/0	Mikrobrytare	Microswitch	
40	2	112154510/0	Mutter	Nut	
41	2	125670005/1	Bricka	Washer	
42	2	125160058/0	Distans	Spacer	
43	6	125670005/1	Bricka	Washer	
44	2	112001010/0	Lasring	Benzing Ring	
45	2	322110239/0	Navkapsel	Hub Cover	
46	2	382000597/0	BakhjulFälged	Rimm	
47	2	125950000/0	Ventil	Valve	
48	2	125590015/0	Däck	Tyre	



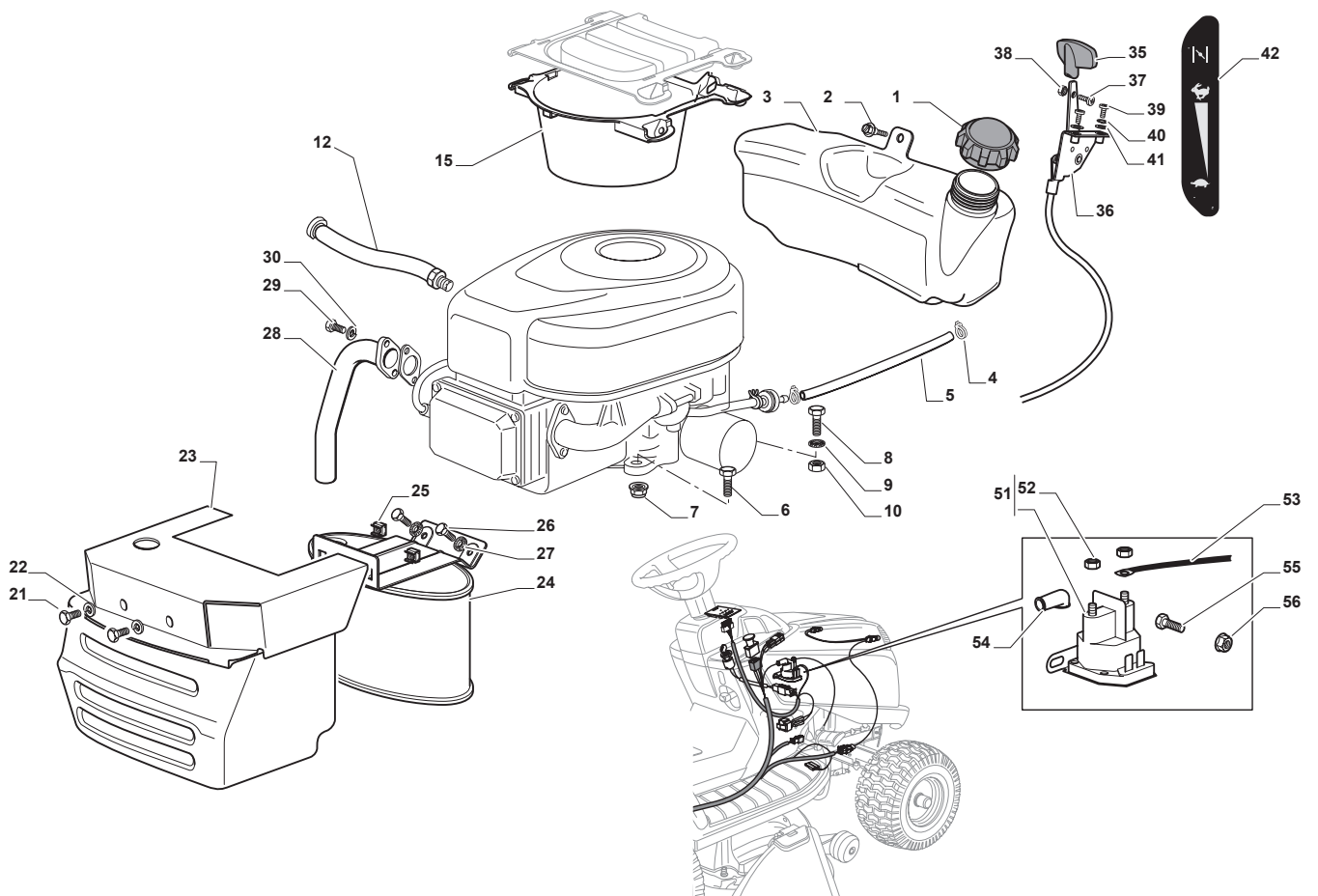
Utgåva Issue 3 - 2016		Skärplatta, Lyft Cutting Plate Lifting			
Pos. Fig.	Antal Q.ty	Art nr Part No	Benämning	Description	Anmärkning Notes
1	1	325394533/0	Knopp	Knob	
2	1	382318229/0	Lyftspak	Lever	
3	1	382318231/0	Axel	Axle	
4	1	112674700/0	Skruv	Screw	
5	1	125430261/0	Fjäder	Spring	
6	1	112154510/0	Mutter	Nut	
7	2	325038006/0	Bussning	Bushing	
8	1	325785297/0	Fäste	Support	
9	2	125943009/0	Skruv	Screw	
10	1	325735515/0	Segment	Steering Sector	
11	2	125943009/0	Skruv	Screw	
12	1	112793701/0	Skruv	Screw	
13	1	125040636/1	Bussning	Bushing	
14	1	125601579/0	Remskiva	Pulley	
15	1	382004620/0	Kabel	Wire	
16	1	112523060/0	Bricka	Washer	
17	1	112293201/0	Mutter	Nut	
21	1	382318295/0	Axle	Axle	
22	4	112735599/0	Skruv	Screw	
23	2	325547231/0	Plat	Plate	
24	1	124487997/0	Lasnal	Cotter Pin	
26	2	325670010/0	Antifriction Washer	Antifriction Washer	
27	1	125033109/0	Connecting Rod	Connecting Rod	
28	1	325670010/0	Antifriction Washer	Antifriction Washer	
29	1	382318293/0	Axle	Axle	
30	1	124487997/0	Lasnal	Cotter Pin	
31	1	325547231/0	Plat	Plate	
32	2	112735599/0	Skruv	Screw	
34	3	325670008/1	Bricka	Washer	
35	3	125510107/1	Stift	Pin	
36	3	112156602/0	Mutter	Nut	
37	3	112295200/0	Mutter	Nut	
38	3	125840012/0	Spännstang	Tie Rod	
39	3	325670008/1	Bricka	Washer	
41	3	124487998/0	Fjäder Clip	Cotter Pin	
43	3	112156602/0	Mutter	Nut	
44	6	112521360/0	Bricka	Washer	



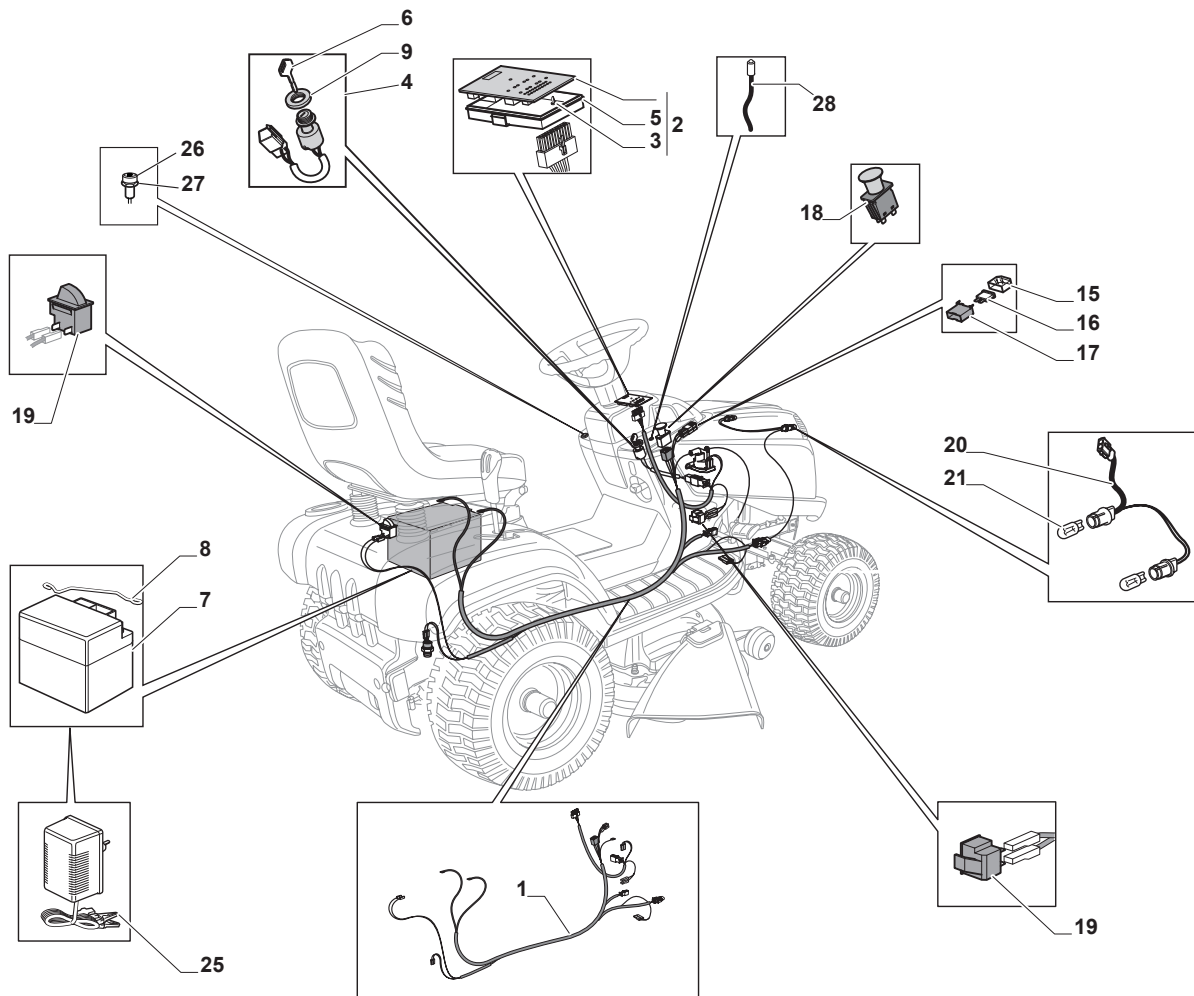
Utgåva Issue 3 - 2016		Skärplatta		Cutting Plate	
Pos. Fig.	Antal Q.ty	Art nr Part No	Benämning	Description	Anmärkning Notes
4	2	382207204/1	Flange Assy	Flange Assy	
1	1	382564219/1	Klippdäck, Gra	Cutting Plate Grey	
2	2	325033086/0	Vattenslanganslutning	Water Hose Connection	
3	2	119035000/0	O-Ring	Or Ring	
5	2	125020804/0	Knivaxel	Shaft	
6	4	119216040/0	Lager I Kullager	Bearing	
7	2	325160501/0	Dammskydd	Dust Cover Disc	
8	2	112609260/0	Sparring Sga 20	Seeger	
11	1	135061504/0	Drivrem	Belt	
12	2	125601571/0	Remskiva	Pulley	
13	2	112793102/0	Skruv	Screw	
14	2	112540260/0	Lasbricka 8.4X15X0.8	Grower	
15	2	125670007/0	Bricka	Washer	
16	2	112139480/0	Kil	Feather	
17	6	112818690/0	Skruv	Screw	
18	6	112154210/0	Mutter	Nut	
21	1	112691400/0	Skruv	Screw	
22	1	112524010/0	Bricka	Washer	
23	1	112610800/0	Sparring Sgh 35	Seeger	
24	1	119216041/0	Lager I Bearing	Bearing	
25	1	125601586/0	Remskiva	Pulley	
26	1	125160052/0	Distans	Spacer	
27	1	325318232/0	Spännarm	Lever	
28	1	112293201/0	Mutter	Nut	
29	1	112155020/0	Mutter	Nut	
30	1	125670022/0	Bricka	Washer	
31	1	125040635/0	Bussning	Bushing	
32	1	382004618/0	Kabel	Wire	
34	1	112523080/0	Bricka	Washer	
35	1	112156602/0	Mutter	Nut	
36	1	118399063/0	Magnetkoppling	Electromagnetic Clutch	
37	1	112543000/0	Bricka	Washer	
38	1	112737320/0	Skruv	Screw	
39	1	125430277/0	Fjäder	Spring	
41	2	112692050/0	Skruv	Screw	
42	2	112523060/0	Bricka	Washer	
43	2	125510072/0	Stift	Pin	
44	2	182700001/0	Stödhjul	Levelling Small Wheel	
45	2	112293201/0	Mutter	Nut	
51	2	382000565/0	Tryckstang	Equalizer Rod	
52	8	325670008/1	Bricka	Washer	
53	4	112156602/0	Mutter	Nut	
61	2	112735694/0	Skruv	Screw	
62	2	112523080/0	Bricka	Washer	
63	2	122160400/0	Fjäderbricka	Elastic Disc	
64	2	182004346/0	Mulcherkniv	Mulching Blade	
65	2	125463200/0	Knivfäste	Blade Hub	
66	2	112139100/0	Kil	Key	
33	1	125160086/0	Distans	Spacer	



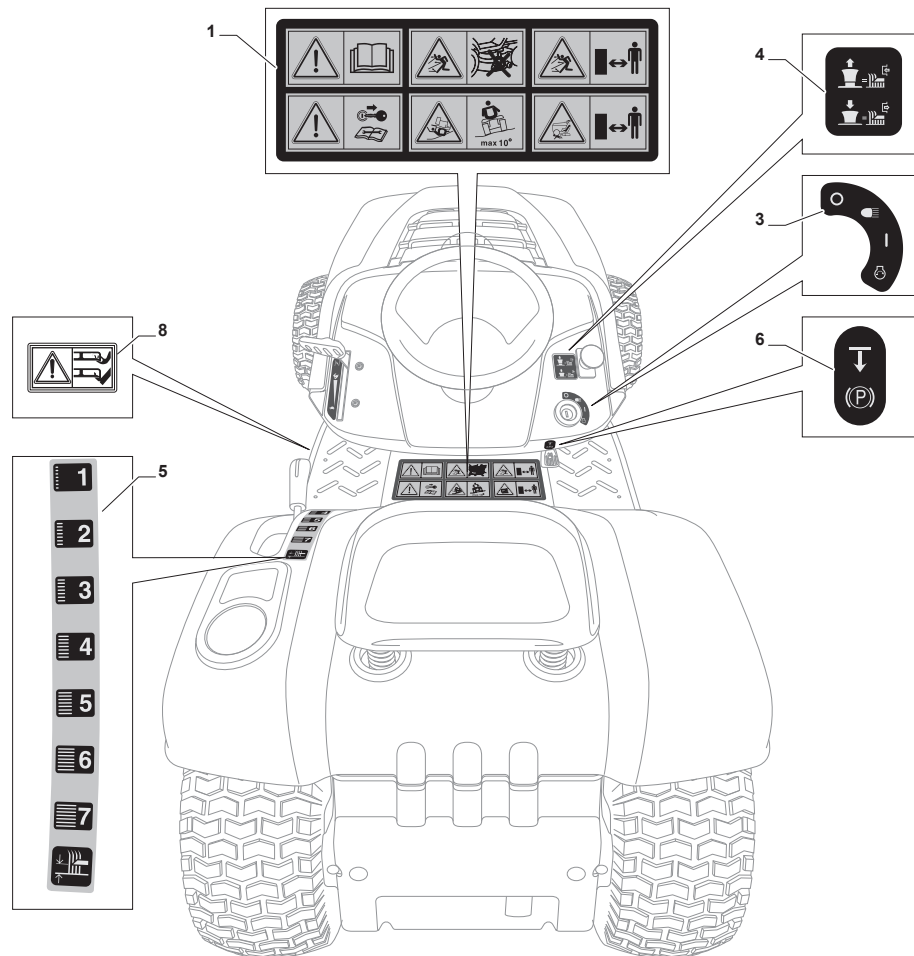
Utgåva Issue 3 - 2016		Skydd Guards			
Pos. Fig.	Antal Q.ty	Art nr Part No	Benämning	Description	Anmärkning Notes
1	1	325600077/2	Stenskottsskydd	Exit Protection	
2	1	125510073/0	Stift	Fulcrum Pin	
3	1	125430242/1	Fjäder	Spring	
4	1	112141418/0	Stift	Cotter Pin	
11	1	325600078/0	Remskydd-hö	Right Belt Protection Carter	
12	4	125943006/0	Skruv	Screw	
13	1	325600079/0	Remskydd-vå	Left Belt Protection	
15	1	325600084/0	VänsterSkydd Klippdäck	Guard	only 98cm
16	1	325060154/0	Remskydd	Case	
17	1	325600082/0	Höger Sitsfäste Skydd	Guard	
18	4	125943011/0	Skruv	Screw	
19	1	325060155/0	Remskydd	Case	
20	1	325600083/0	VänsterSitsfäste Skydd	Guard	
21	2	127943051/0	Skruv	Screw	
22	2	112437506/0	Plat	Plate	



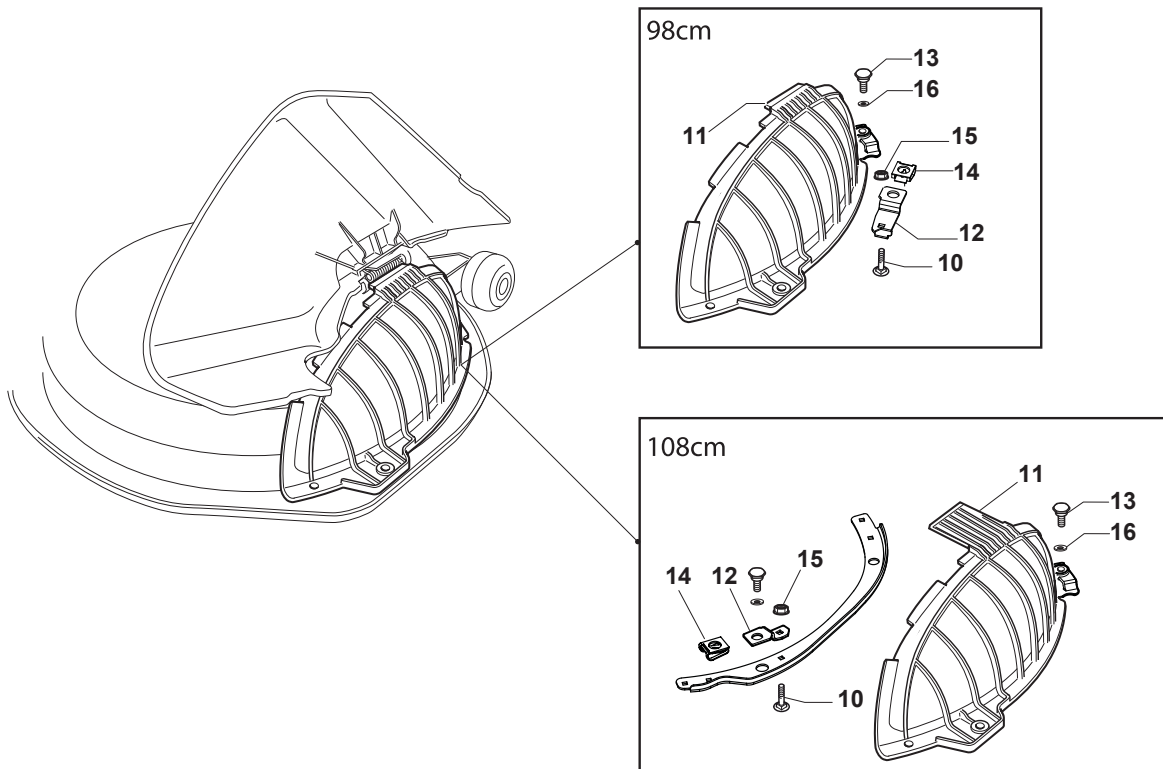
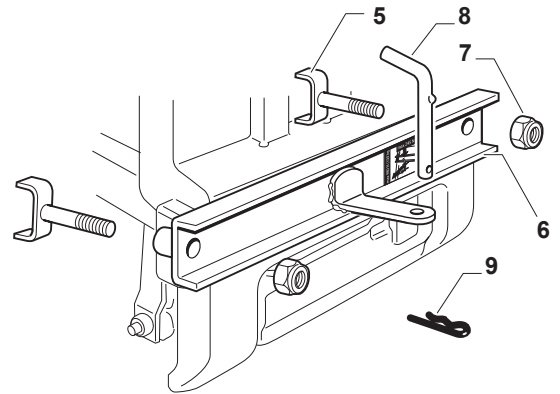
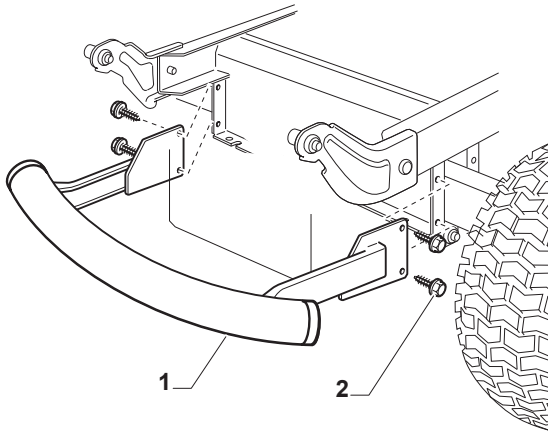
Utgåva Issue 3 - 2016		Motor - B&S	Engine - B&S		
Pos. Fig.	Antal Q.ty	Art nr Part No	Benämning	Description	Anmärkning Notes
51	1	118736112/0	Solenoid Kpl Service	Solenoid	
1	1	125795001/1	Tanklock	Cap	
2	4	125943010/0	Skruv	Screw	
3	1	325735126/0	Bränsletank	Fuel Tank	
4	2	118375051/1	Slangklämma	Fair Led	
5	1	325869057/0	Bränsleslang	Connecting Tube	
6	3	112691100/0	Skruv	Screw	
7	3	112154210/0	Mutter	Nut	
8	1	112691115/0	Skruv	Screw	
9	1	112540260/0	Lasbricka 8.4X15X0.8	Grower	
10	1	112154210/0	Mutter	Nut	
12	1	1134-5827-01	Oljeavtappning Kpl	Oil Drain Assy	
15	1	325108044/1	Luftledare	Conveyor	
21	2	112792611/0	Skruv	Screw	
22	2	112540260/0	Lasbricka 8.4X15X0.8	Grower	
23	1	382598047/0	Ljuddämparskydd	Muffler Protection	
24	1	182750010/0	Ljuddämpare	Muffler	
25	2	112360425/0	Mutter	Nut	
26	2	112792611/0	Skruv	Screw	
27	2	112540260/0	Lasbricka 8.4X15X0.8	Grower	
28	1	118738206/0	Anslutning	Exhaust Discharge Tube	
29	2	112737450/0	Skruv	Screw	
30	2	112540260/0	Lasbricka 8.4X15X0.8	Grower	
35	1	325394531/0	Knopp	Knob	
36	1	182000216/0	Gaswire	Accelerator	
37	1	112726389/0	Skruv	Screw	
38	1	112290800/0	Mutter	Nut	
39	2	112726389/0	Skruv	Screw	
40	2	112540020/0	Bricka	Washer	
41	2	112521310/0	Bricka	Washer	
42	1	114363697/0	Dekal	Label	
52	2	112360352/0	Mutter	Nut	
53	1	125065002/0	Kabelhärva	Cable	
54	1	118564864/1	Polskydd	Protection	
55	1	112790781/0	Skruv	Screw	
56	2	112154510/0	Mutter	Nut	



Utgåva Issue 3 - 2016		Elsystem Electrical Parts			
Pos. Fig.	Antal Q.ty	Art nr Part No	Benämning	Description	Anmärkning Notes
1	1	182040196/0	Kabelhärva	Cables Ass.Y	(for hydro)
2	1	382722443/0	Elektronikkort	Electronic Card	
3	1	112735101/0	Skruv	Screw	
4	1	118450075/1	Tändningslas	Starting Switch	
5	1	325600080/0	Kretskort Skydd	Card Protection	
6	1	118210023/0	Startnyckel	Starting Key	
7	1	118120002/1	Batteri	Battery	
8	1	125430265/1	Fjäder	Spring	
9	1	118400863/0	Screwed Ring	Screwed Ring	
15	2	133215000/0	Lock-Säkringshallare	Cover	
16	1	133340036/0	Säkring 25A	Fuse 25 A	
16	1	133340040/0	Säkring 10A	Fuse 10 A	
17	2	133500007/0	Säkringshallare	Fuse Carrier	
18	1	118450074/0	Brytare	Clutch Switch	
19	2	119410613/0	Mikrobrytare	Microswitch	
20	1	182040191/0	Kablage kpl	Cables Ass.Y	for LED Version
21	2	118459100/0	Glödlampa	Lamp For Lights	
25	1	182180090/0	Batteriladdare 1A - CE Plugg	Battery Charger 1A - CE Plugg	CE plugg
26	1	325605003/0	Knapp	Button	
27	1	325256250/0	Skruv	Screwed Ring	
28	1	182040174/0	Kabelhärva	Led Wiring Assy	



Utgåva Issue 3 - 2016		Dekaler Labels			
Pos. Fig.	Antal Q.ty	Art nr Part No	Benämning	Description	Anmärkning Notes
5	1	114366142/0	Dekal	Label	
1	1	114362365/1	Dekal	Label	
3	1	114363699/0	Dekal	Label	
4	1	114361438/0	Dekal	Label	
6	1	114363700/0	Dekal	Label	
8	1	114356699/1	Dekal	Label	



Utgåva Issue 3 - 2016		Tillbehör på begäran Optionals On Request			
Pos. Fig.	Antal Q.ty	Art nr Part No	Benämning	Description	Anmärkning Notes
1	1	382869038/0	Ljuddämparskydd	Muffler Protection	
2	4	125943008/0	Skruv	Screw	
5	2	382650211/0	Förstärkningkpl Trailer Kit	Stiffening	
6	1	382033111/0	Stag	Rod	
7	2	112155000/0	Mutter	Nut	
8	1	125510021/1	Stift	Hitch Pin	
9	1	124487999/0	Clip	Spring Pin	
10	2	112815205/0	Skruv	Screw	
11	1	325140105/0	Deflektor	Deflector	
12	2	325785471/0	Stift	Pin	
13	2	125580040/0	Remstyrning	Stake	
14	2	112437507/0	Plat	Rapid Fixing Plate	
15	2	112154510/0	Mutter	Nut	
16	2	112604899/0	Starlock	Crown Fastener	



Tornado 2098 — 2

Tornado 2098 H — 3

Tornado 2198 H — 4

Tornado 3098 — 5

Tornado 3098 H — 6

Tornado 2108 H — 7

Tornado 3108 H — 8

Tornado 5108 HW — 9

Utgåva Issue 3 - 2016		Dekaler Labels			
Pos. Fig.	Antal Q.ty	Art nr Part No	Benämning	Description	Anmärkning Notes
1	3	114367494/2	Dekal STIGA logo	Label STIGA logo	
2	2	114368450/0	Decal	Label	Tornado 2098
3	2	114368451/0	Decal	Label	Tornado 2098 H
4	2	114368452/0	Decal	Label	Tornado 2198 H
5	2	114368453/0	Decal	Label	Tornado 3098
6	2	114368454/0	Decal	Label	Tornado 3098 H
7	2	114369521/0	Decal	Label	Tornado 2108 H
8	2	114368455/0	Decal	Label	Tornado 3108 H
9	2	114368456/0	Decal	Label	Tornado 5108 HW

code	pos.	q.ty	page								
1134-5827-01	12	1	p. 21	112523060/0	16	1	p. 15	112792611/0	21	2	p. 21
112000940/0	17	1	p. 13	112523060/0	24	1	p. 11	112792611/0	26	2	p. 21
112001010/0	44	2	p. 13	112523060/0	27	1	p. 11	112792611/0	29	1	p. 13
112001010/0	48	1	p. 7	112523060/0	30	2	p. 13	112792611/0	31	4	p. 5
112001010/0	67	2	p. 9	112523060/0	41	4	p. 5	112792611/0	56	4	p. 5
112139100/0	66	2	p. 17	112523060/0	42	2	p. 17	112793102/0	13	2	p. 17
112139480/0	16	2	p. 17	112523060/0	47	1	p. 11	112793701/0	12	1	p. 15
112141418/0	4	1	p. 19	112523070/0	3	1	p. 7	112815205/0	10	2	p. 27
112154210/0	7	3	p. 21	112523080/0	34	1	p. 17	112818690/0	17	6	p. 17
112154210/0	10	1	p. 21	112523080/0	62	2	p. 17	114356699/1	8	1	p. 25
112154210/0	18	6	p. 17	112523100/0	52	2	p. 7	114361438/0	4	1	p. 25
112154510/0	6	1	p. 15	112524010/0	22	1	p. 17	114362365/1	1	1	p. 25
112154510/0	7	4	p. 13	112540020/0	10	2	p. 13	114363452/0	9	2	p. 5
112154510/0	15	2	p. 27	112540020/0	40	2	p. 21	114363697/0	42	1	p. 21
112154510/0	19	1	p. 13	112540260/0	2	1	p. 7	114363699/0	3	1	p. 25
112154510/0	34	1	p. 13	112540260/0	9	1	p. 21	114363700/0	6	1	p. 25
112154510/0	40	2	p. 13	112540260/0	14	2	p. 17	114366142/0	5	1	p. 25
112154510/0	56	2	p. 21	112540260/0	22	2	p. 21	114367494/2	1	3	p. 29
112155000/0	3	2	p. 3	112540260/0	27	2	p. 21	114368450/0	2	2	p. 29
112155000/0	7	2	p. 27	112540260/0	30	2	p. 21	114368451/0	3	2	p. 29
112155000/0	9	2	p. 11	112540260/0	32	4	p. 5	114368452/0	4	2	p. 29
112155000/0	24	4	p. 13	112543000/0	37	1	p. 17	114368453/0	5	2	p. 29
112155000/0	25	1	p. 11	112581100/0	11	2	p. 13	114368454/0	6	2	p. 29
112155000/0	26	1	p. 11	112587100/0	54	1	p. 7	114368455/0	8	2	p. 29
112155000/0	31	2	p. 13	112604899/0	16	2	p. 27	114368456/0	9	2	p. 29
112155000/0	33	1	p. 11	112609260/0	8	2	p. 17	114369521/0	7	2	p. 29
112155000/0	43	2	p. 7	112610800/0	23	1	p. 17	118120002/1	7	1	p. 23
112155000/0	45	1	p. 11	112620300/0	8	1	p. 7	118203854/0	39	2	p. 3
112155000/0	57	4	p. 5	112622650/0	9	1	p. 7	118210023/0	6	1	p. 23
112155010/0	28	2	p. 7	112674700/0	4	1	p. 15	118375051/1	4	2	p. 21
112155010/0	29	2	p. 7	112691100/0	6	3	p. 21	118399063/0	36	1	p. 17
112155010/0	38	2	p. 3	112691115/0	8	1	p. 21	118400863/0	9	1	p. 23
112155020/0	29	1	p. 17	112691400/0	21	1	p. 17	118400919/2	23	1	p. 13
112156602/0	7	1	p. 11	112691400/0	22	1	p. 11	118450074/0	18	1	p. 23
112156602/0	32	2	p. 7	112691400/0	33	2	p. 3	118450075/1	4	1	p. 23
112156602/0	35	1	p. 17	112691600/0	21	4	p. 13	118459100/0	21	2	p. 23
112156602/0	36	3	p. 15	112691600/0	30	1	p. 11	118564864/1	54	1	p. 21
112156602/0	37	1	p. 7	112691700/0	27	1	p. 13	118736112/0	51	1	p. 21
112156602/0	43	3	p. 15	112692050/0	1	1	p. 7	118738206/0	28	1	p. 21
112156602/0	53	4	p. 17	112692050/0	41	2	p. 17	118802723/0	14	1	p. 13
112290791/0	12	2	p. 13	112692390/0	35	1	p. 7	119035000/0	3	2	p. 17
112290800/0	38	1	p. 21	112692695/0	51	1	p. 7	119216040/0	6	4	p. 17
112293201/0	17	1	p. 15	112726389/0	37	1	p. 21	119216041/0	24	1	p. 17
112293201/0	25	2	p. 3	112726389/0	39	2	p. 21	119410609/1LC	13	1	p. 13
112293201/0	28	1	p. 17	112728686/0	19	2	p. 3	119410613/0	19	2	p. 23
112293201/0	45	2	p. 17	112728692/0	7	4	p. 5	119410614/0	39	1	p. 13
112295200/0	37	3	p. 15	112735101/0	3	1	p. 23	122160400/0	27	1	p. 7
112295300/0	55	1	p. 7	112735403/0	5	4	p. 5	122160400/0	63	2	p. 17
112360352/0	52	2	p. 21	112735403/0	36	2	p. 13	122524970/3	36	2	p. 3
112360425/0	25	2	p. 21	112735406/0	15	3	p. 5	122524970/3	44	1	p. 11
112369500/0	26	1	p. 7	112735406/0	33	4	p. 5	124487997/0	24	1	p. 15
112379511/0	46	2	p. 7	112735406/0	37	2	p. 5	124487997/0	30	1	p. 15
112436030/0	15	1	p. 7	112735599/0	3	4	p. 11	124487998/0	1	1	p. 3
112437506/0	22	2	p. 19	112735599/0	4	2	p. 3	124487998/0	41	3	p. 15
112437506/0	35	1	p. 5	112735599/0	6	4	p. 13	124487999/0	9	1	p. 27
112437507/0	14	2	p. 27	112735599/0	14	2	p. 5	125020804/0	5	2	p. 17
112521310/0	41	2	p. 21	112735599/0	22	2	p. 3	125033109/0	27	1	p. 15
112521350/0	22	4	p. 13	112735599/0	22	4	p. 15	125033113/0	42	1	p. 11
112521350/0	32	2	p. 3	112735599/0	32	2	p. 15	125034002/1	47	4	p. 7
112521360/0	6	1	p. 11	112735599/0	58	4	p. 5	125038002/1	31	2	p. 11
112521360/0	36	2	p. 7	112735602/0	9	2	p. 13	125040635/0	31	1	p. 17
112521360/0	44	6	p. 15	112735694/0	61	2	p. 17	125040636/1	13	1	p. 15
112521370/0	14	1	p. 7	112737320/0	38	1	p. 17	125065002/0	53	1	p. 21
112523040/0	16	3	p. 5	112737450/0	29	2	p. 21	125122200/2	61	4	p. 7
112523040/0	18	1	p. 13	112790781/0	55	1	p. 21	125160016/0	53	1	p. 7
112523040/0	38	2	p. 5	112791213/1	32	1	p. 13	125160021/0	11	1	p. 11
				112791400/0	38	2	p. 13	125160027/0	32	1	p. 11

code	pos.	q.ty	page											
125160048/0	27	2	p. 3	133340036/0	16	1	p. 23	325600083/0	20	1	p. 19			
125160052/0	26	1	p. 17	133340040/0	16	1	p. 23	325600084/0	15	1	p. 19			
125160058/0	42	2	p. 13	133500007/0	17	2	p. 23	325601599/0	21	1	p. 11			
125160083/0	23	1	p. 11	135061504/0	11	1	p. 17	325605003/0	26	1	p. 23			
125160086/0	33	1	p. 17	135062003/0	20	1	p. 11	325670008/1	34	3	p. 15			
125394509/1	41	1	p. 11	182000216/0	36	1	p. 21	325670008/1	39	3	p. 15			
125430213/0	46	1	p. 11	182000598/0	62	2	p. 7	325670008/1	52	8	p. 17			
125430242/1	3	1	p. 19	182004346/0	64	2	p. 17	325670010/0	26	2	p. 15			
125430261/0	5	1	p. 15	182040174/0	28	1	p. 23	325670010/0	28	1	p. 15			
125430262/0	34	1	p. 11	182040191/0	20	1	p. 23	325670011/0	8	1	p. 11			
125430263/0	28	2	p. 3	182040196/0	1	1	p. 23	325670011/0	16	2	p. 13			
125430264/0	31	2	p. 3	182180090/0	25	1	p. 23	325670026/0	25	2	p. 13			
125430265/1	8	1	p. 23	182700001/0	44	2	p. 17	325735126/0	3	1	p. 21			
125430277/0	39	1	p. 17	182750010/0	24	1	p. 21	325735515/0	10	1	p. 15			
125463200/0	65	2	p. 17	322110239/0	45	2	p. 13	325735519/0	24	1	p. 7			
125510021/1	8	1	p. 27	322110239/0	68	2	p. 9	325743000/0	13	1	p. 7			
125510072/0	43	2	p. 17	322672151/0	20	1	p. 7	325774573/0	37	1	p. 13			
125510073/0	2	1	p. 19	325033086/0	2	2	p. 17	325785213/1	12	1	p. 7			
125510079/1	2	2	p. 3	325038006/0	7	2	p. 15	325785297/0	8	1	p. 15			
125510103/0	38	2	p. 7	325038007/0	40	2	p. 7	325785298/0	11	1	p. 5			
125510104/0	21	1	p. 7	325038008/0	6	1	p. 7	325785331/1	13	1	p. 3			
125510107/1	35	3	p. 15	325060034/1	35	1	p. 13	325785333/1	14	1	p. 3			
125510109/0	23	1	p. 7	325060154/0	16	1	p. 19	325785349/1	26	1	p. 13			
125510116/0	10	1	p. 11	325060155/0	19	1	p. 19	325785350/0	4	2	p. 13			
125520007/0	7	1	p. 7	325076912/0	1	1	p. 5	325785365/0	4	1	p. 5			
125570003/0	10	1	p. 7	325076954/0	8	1	p. 5	325785379/1	29	1	p. 3			
125580040/0	13	2	p. 27	325076955/0	27	2	p. 5	325785471/0	12	2	p. 27			
125590015/0	48	2	p. 13	325108044/1	6	1	p. 5	325820109/0	26	1	p. 3			
125590020/0	64	2	p. 7	325108044/1	15	1	p. 21	325820109/1	26	1	p. 3			
125601554/0	28	1	p. 11	325110274/0	1	1	p. 13	325820111/1	30	1	p. 3			
125601571/0	12	2	p. 17	325110331/0	3	1	p. 13	325840029/0	39	1	p. 7			
125601577/0	12	1	p. 11	325110384/0	42	1	p. 5	325869057/0	5	1	p. 21			
125601579/0	14	1	p. 15	325110385/0	43	1	p. 5	325961221/1	20	1	p. 5			
125601586/0	25	1	p. 17	325110399/0	34	1	p. 5	327546019/0	8	1	p. 13			
125670005/1	41	2	p. 13	325110409/0	1	1	p. 11	382000565/0	51	2	p. 17			
125670005/1	43	6	p. 13	325110463/0	25	1	p. 5	382000566/2	31	1	p. 7			
125670005/1	66	2	p. 9	325120203/0	21	1	p. 5	382000573/1	15	1	p. 13			
125670005/2	41	1	p. 13	325120259/1	17	1	p. 5	382000574/2	2	1	p. 13			
125670007/0	15	2	p. 17	325122002/0	34	2	p. 3	382000576/0	5	1	p. 11			
125670022/0	30	1	p. 17	325140105/0	11	1	p. 27	382000597/0	46	2	p. 13			
125670023/0	22	1	p. 7	325160501/0	7	2	p. 17	382000641/0	2	1	p. 11			
125722477/0	30	1	p. 5	325207191/0	55	1	p. 5	382004618/0	32	1	p. 17			
125795001/1	1	1	p. 21	325253011/1	43	1	p. 11	382004620/0	15	1	p. 15			
125840012/0	38	3	p. 15	325256250/0	27	1	p. 23	382033111/0	6	1	p. 27			
125943006/0	12	4	p. 19	325260003/0	19	2	p. 5	382034030/0	45	1	p. 7			
125943008/0	2	4	p. 27	325270325/0	13	2	p. 5	382180124/0	70	1	p. 9			
125943009/0	9	2	p. 15	325318232/0	27	1	p. 17	382185502/0	2	1	p. 5			
125943009/0	11	2	p. 15	325318243/0	34	1	p. 7	382185503/0	3	1	p. 5			
125943009/0	12	4	p. 3	325318251/0	33	1	p. 13	382207204/1	4	2	p. 17			
125943009/0	15	6	p. 3	325394531/0	35	1	p. 21	382230373/0	41	1	p. 7			
125943009/0	17	2	p. 3	325394533/0	1	1	p. 15	382230375/0	42	1	p. 7			
125943009/0	18	2	p. 3	325500041/1	20	1	p. 3	382263501/0	24	1	p. 5			
125943009/0	40	4	p. 3	325500043/1	21	1	p. 3	382318229/0	2	1	p. 15			
125943010/0	2	4	p. 21	325547208/2	39	1	p. 5	382318231/0	3	1	p. 15			
125943010/0	12	4	p. 5	325547225/0	5	1	p. 3	382318245/0	29	1	p. 11			
125943010/0	18	2	p. 5	325547227/0	6	1	p. 3	382318293/0	29	1	p. 15			
125943010/0	26	1	p. 5	325547231/0	4	2	p. 11	382318295/0	21	1	p. 15			
125943010/0	36	2	p. 5	325547231/0	5	2	p. 13	382547061/0	35	1	p. 3			
125943010/0	40	2	p. 5	325547231/0	23	2	p. 15	382564219/1	1	1	p. 17			
125943011/0	18	4	p. 19	325547231/0	31	1	p. 15	382598047/0	23	1	p. 21			
125950000/0	47	2	p. 13	325547233/0	25	1	p. 7	382650211/0	5	2	p. 27			
125950000/0	63	2	p. 7	325580508/0	10	1	p. 5	382722443/0	2	1	p. 23			
127590066/0	64	2	p. 9	325600077/2	1	1	p. 19	382785169/1	11	1	p. 3			
127943051/0	11	2	p. 7	325600078/0	11	1	p. 19	382785179/0	16	1	p. 3			
127943051/0	21	2	p. 19	325600079/0	13	1	p. 19	382785255/0	22	1	p. 5			
133215000/0	15	2	p. 23	325600080/0	5	1	p. 23	382785257/0	23	1	p. 5			
				325600082/0	17	1	p. 19	382785266/0	4	1	p. 7			

code	pos.	q.ty	page
382820151/0	37	1	p. 3
382869038/0	1	1	p. 27