

STIGA

Reservdelskatalog Parts Catalogue

TURBO 53 SE4Q B

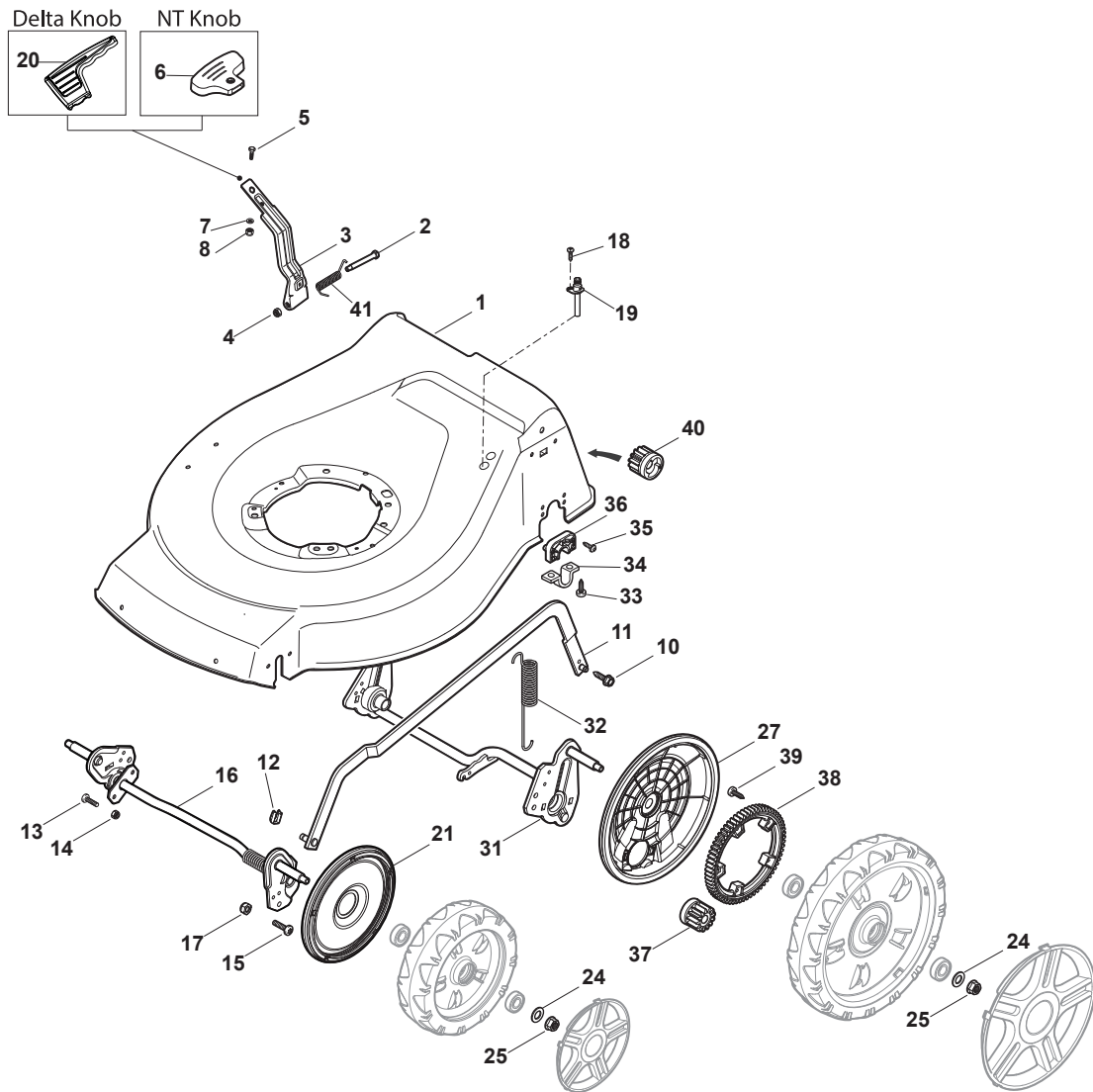
299537528/S14 - Season 2015

- Use GLOBAL GARDEN PRODUCT Genuine Spare Parts specified in the parts list for repair and/or replacement.
 - The contents described in the parts list may change due to improvement.
 - The drawings of the spare parts are only indicative and might not represent the part in question exactly.
 - The indications "right" - "left" - "front" - "rear" refer to the position of the operator when using the machine.
- When placing orders of parts for repair and/or replacement, make sure that the illustrated parts list is the one applying to the machine's year of manufacture, as shown on the identification plate attached to the machine.

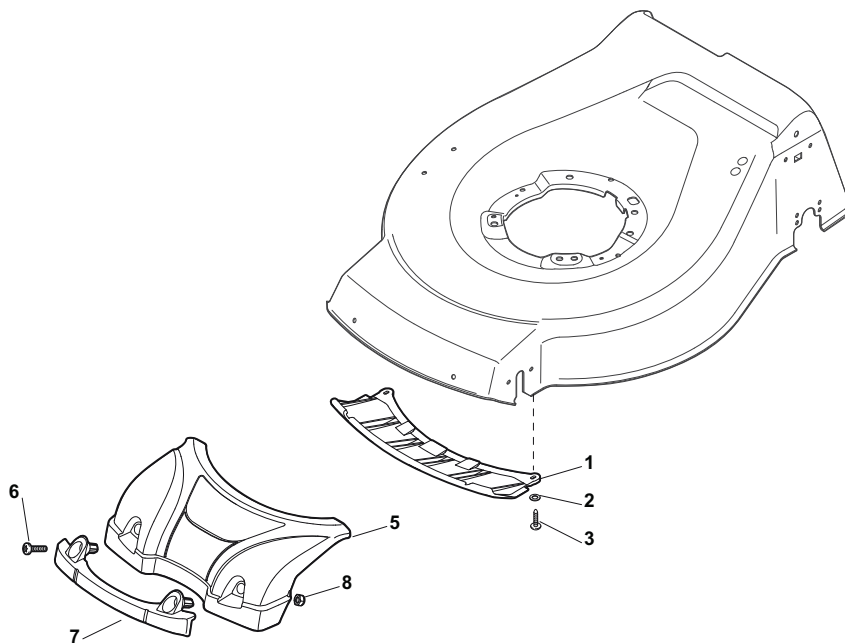
© Copyright 2015 Global Garden Products

All rights reserved. No part of this material may be reproduced or transmitted, in any form or by any means, electronic or mechanical, including photocopying, recording or by any information storage and retrieval system, without permission in writing from GLOBAL GARDEN PRODUCTS.

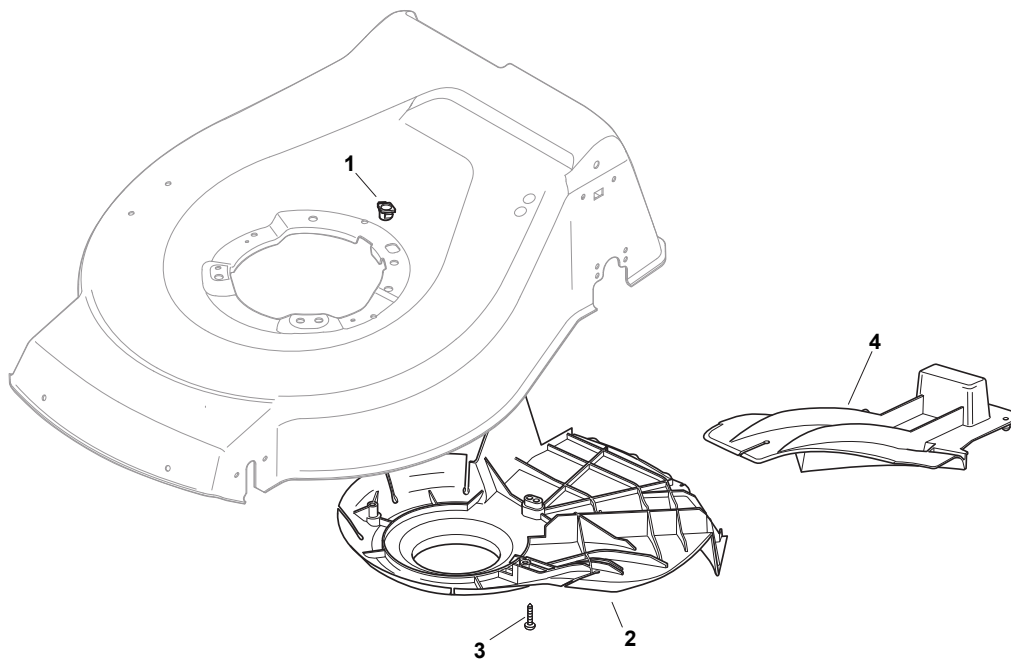
www.stiga.com



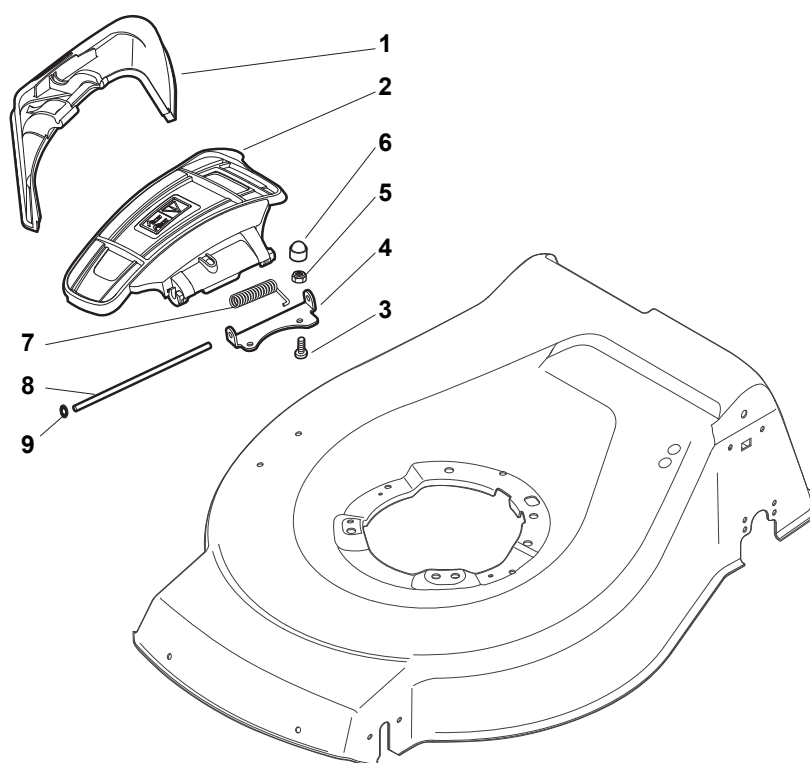
Utgåva Issue 3 - 2015		Kapa och höjdställning		Deck And Height Adjusting	
Pos. Fig.	Antal Quantity	Art nr Part No	Benämning	Description	Anmärkning Notes
20	1	322394522/0	Knopp.Kontroll.Spak Svart.	Knob	Delta Knob
1	1	381004732/0	Chassi-gra	Grey Deck	
2	1	122534131/0	Stift	Pin	
3	1	381003398/0	Höjdställningsspak	Lever, Height Adjustment	
4	1	112154510/0	Mutter	Nut	
5	1	112788512/0	Skruv	Screw	
6	1	322394503/0	Knopp.Kontroll.Spak Svart.	Knob	NT Knob
7	1	112521310/0	Bricka	Washer	
8	1	112150000/0	Mutter	Nut	
10	1	122943013/0	Skruv	Screw	
11	1	381002032/0	Höjdställningsstag	Rod, Height Adjustment	
12	1	112436051/0	Plat	Plate	
13	3	112727803/0	Skruv	Screw	
14	3	112154510/0	Mutter	Nut	
15	1	112727801/0	Skruv	Screw	
16	1	381002887/1	Hjulaxel-fram	Front Wheel Axle	
17	1	112154510/0	Mutter	Nut	
18	1	112728450/0	Skruv	Screw	
19	1	322034002/0	Tvättanslutning Nt (Svart)	Washing Connection	
21	2	322600145/0	Hjulskydd	Protection, Wheel	
24	4	112521350/0	Bricka	Washer	
25	4	112155000/0	Mutter	Nut	
27	2	322600208/0	Hjulskydd	Protection, Wheel	
31	1	381302835/1	Hjulaxel-bakre	Axle, Rear Wheels	
32	1	122450460/0	Fjäder	Spring	
33	4	112728697/0	Skruv	Screw	
34	2	322545152/0	Plat	Plate	
35	4	112728697/0	Skruv	Screw	
36	2	322785304/1	Fäste	Support	
37	1	122570134/0	Drev	Left Pinion	
38	2	322120115/0	Drev	Wheels Crown	
39	6	112728706/0	Skruv	Screw	
40	1	122570133/0	Drev	Right Pinion	
41	1	122446192/0	Fjäder	Spring	



Utgåva Issue 3 - 2015		Mask			
Pos. Fig.	Antal Quantity	Art nr Part No	Benämning	Description	Anmärkning Notes
1	1	322500103/0	Front	Front Combi	
2	2	112523000/1	Bricka	Washer	
3	2	112728124/0	Skruv	Screw	
5	1	322226196/0	Front Stiga Nt53 gra Ncs S8000-N	Mask, Grey	With STIGA Logo
6	2	112727799/0	Skruv	Screw	
7	1	322393639/0	Handtag, främre Gra Ral9022 Ntd	Handle, Grey	
8	2	112154510/0	Mutter	Nut	

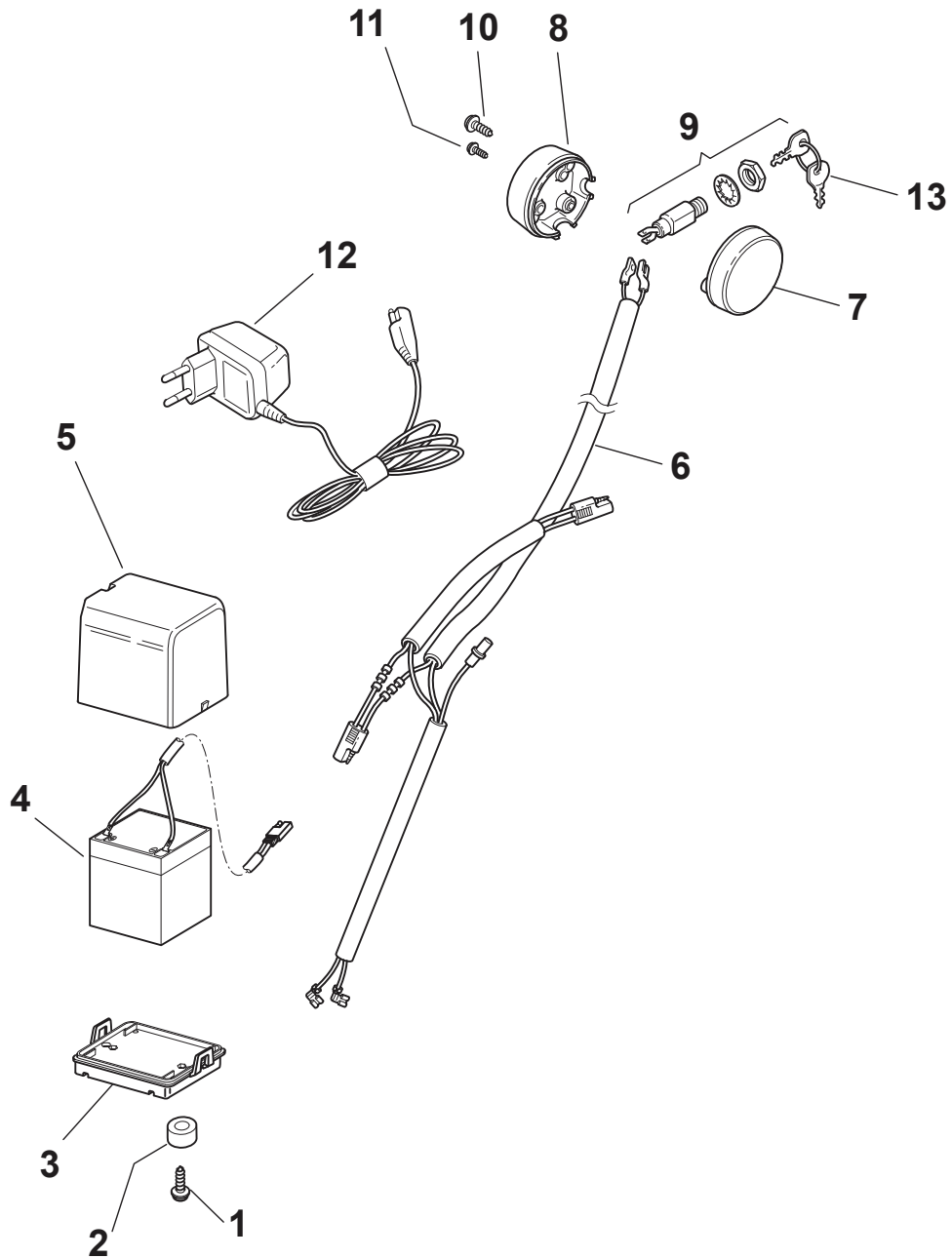


Utgåva Issue 3 - 2015		Remskydd Protection, Belt			
Pos. Fig.	Antal Quantity	Art nr Part No	Benämning	Description	Anmärkning Notes
1	1	322291150/0	Gummihylsa	Rubber Insert	
2	1	322060197/3	Remskydd	Belt Protection	
3	3	112728530/0	Skruv	Screw	
4	1	122140222/0	Mulcherinsats	Mulching Deflector	

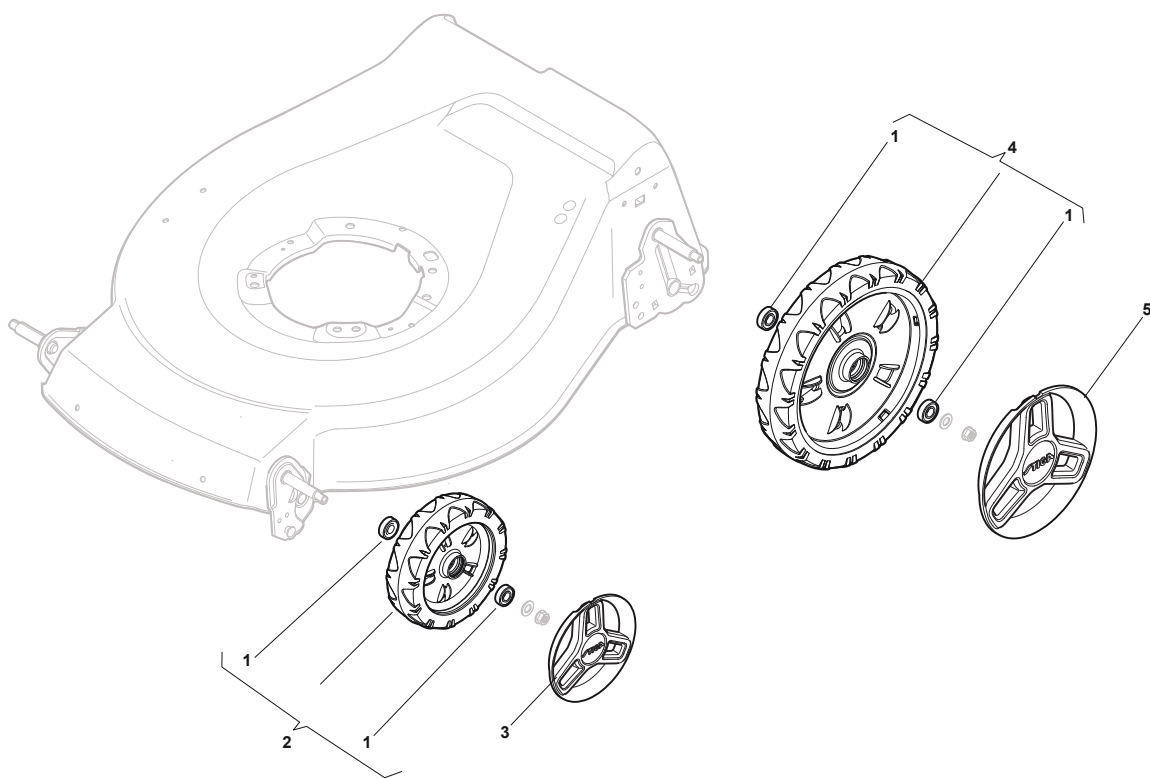


Utgåva Issue 3 - 2015		Utkastskydd Ejection-Guard			
Pos. Fig.	Antal Quantity	Art nr Part No	Benämning	Description	Anmärkning Notes
8	1	122517869/1	Stift	Pin	
1	1	322108295/1	Utkastskydd	Side Ejection Conveyor	
2	1	322600313/0	Utkastskydd	Ejection Guard	
3	2	112727803/0	Skruv	Screw	
4	1	322806639/0	Fäste	Fulcrum Pin	
5	2	112154510/0	Mutter	Nut	
6	2	118203853/0	Skruv	Screw	
7	1	122450456/0	Fjäder	Spring	
9	2	112604896/0	Starlock P6493 6	Crown Fastener	

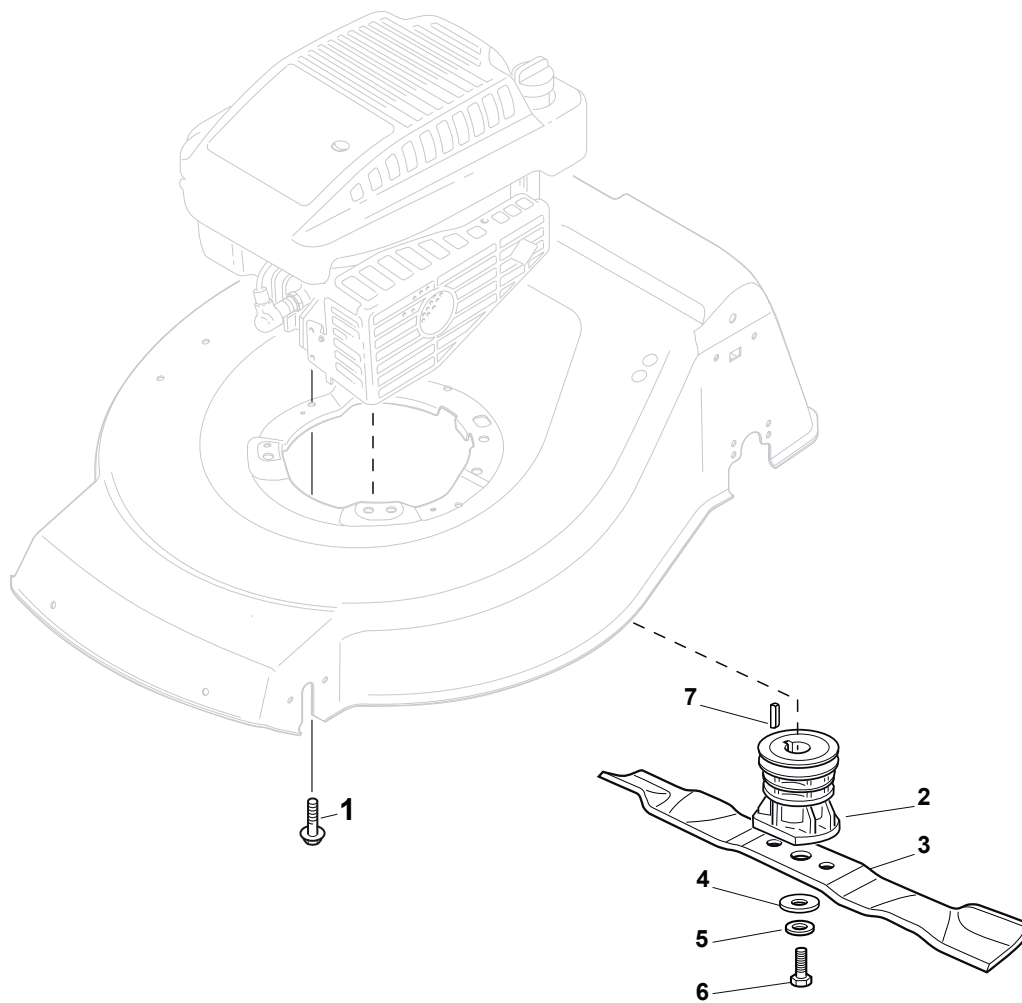
Utgåva Issue 3 - 2015		Reglage, övre		Handle, Upper Part	
Pos. Fig.	Antal Quantity	Art nr Part No	Benämning	Description	Anmärkning Notes
4	1	381005185/0	Fäste-hö	Right Bracket	Stiga Grey
5	1	381005187/0	Fäste-vä	Left Bracket	Stiga Grey
3	1	381003472/0	Reglagebygel	Lever, Engine Brake	Black
1	1	381006670/2	Styrrör	Handle Tube	
2	1	381003349/0	Bygel Drivning	Lever, Driving	
8	1	122430309/0	Fjäder	Spring	
9	2	112154330/0	Mutter	Nut	
10	4	112735662/1	Skruv	Screw	
11	4	322041967/1	Bussning	Bushing	
12	3	112154510/0	Mutter	Nut	
13	2	112728721/0	Skruv	Screw	
14	1	112727784/0	Skruv	Screw	
15	1	381030097/0	Drivwire	Cable Rear Drive	
16	1	181030100/0	Motorbromswire	Cable, Thread Engine Brake	
17	1	322551639/0	Plat	Fixed Plate	
18	1	322806644/0	Skydd	Protection	
19	2	112727812/0	Skruv	Screw	
20	2	112523000/1	Bricka	Washer	
21	1	322488301/0	Joining Bussning Ho	Joint Sleeve Grey Right	
22	1	322488303/0	Joining Bussning Va	Joining Sleeve Grey Left	
23	2	112154220/0	Mutter	Nut	
24	2	322399835/0	Handtagsknopp	Knob	
25	2	381003253/0	övre Lock Handtag Spak Ntd	Handle	
26	2	322680017/0	Bricka	Washer	
27	1	112155000/0	Mutter	Nut	
28	1	125038002/1	Bussning	Bushing	
29	1	322192156/0	Fairlead Hallareklämma	Clip	
30	1	112760605/0	Skruv	Screw	



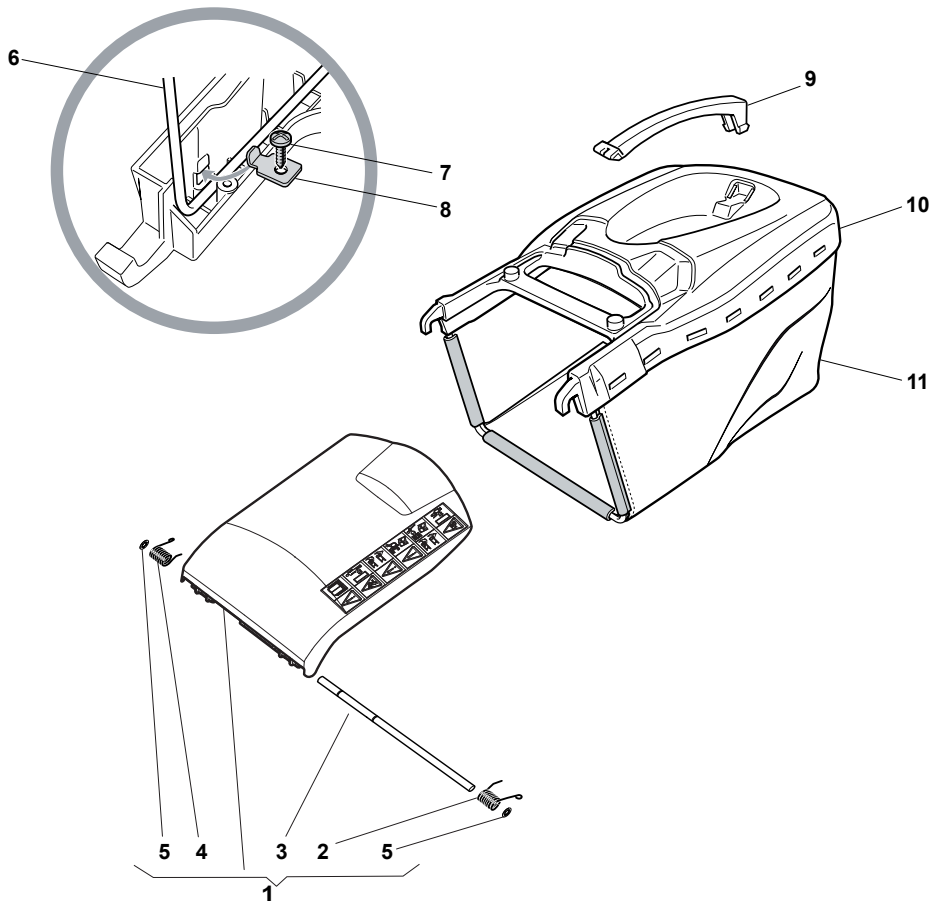
Utgåva Issue 3 - 2015		Reglage Electric Start Controls			
Pos. Fig.	Antal Quantity	Art nr Part No	Benämning	Description	Anmärkning Notes
1	2	112731590/0	Skruv	Screw	
2	2	125160012/0	Distans	Spacer	
3	1	322785123/0	Batterifäste	Battery Support	
4	1	118120052/0	Batteri	Battery	
5	1	322109530/0	BatteriKapa	Battery Cover	
7	1	322722801/0	Hus	Starting Block Outer Half-Bearing	
8	1	322722800/0	Hus	Starting Block Inner Half-Bearing	
9	1	118450050/0	Tändningslas	Starting Block	
10	2	112728702/0	Skruv	Screw	
11	1	112728691/0	Skruv	Screw	
12	1	118204120/0	Batteriladdare	Battery Charger	(CE)
13	1	118210016/1	Tändningsnyckel Indak	Starting Key	



Utgåva Issue 3 - 2015		Hjul och navkapsel Wheels and Hub Caps			
Pos. Fig.	Antal Quantity	Art nr Part No	Benämning	Description	Anmärkning Notes
1	8	119216035/0	Lager	Bearing	
2	4	381007416/2	Hjul	Wheel	
3	2	322110755/0	Navkapsel Gra	Hub Cap Grey	
4	2	381007417/2	Hjul	Wheel	
5	2	322110746/0	Navkapsel	Hub Cap Grey	



Utgåva Issue 3 - 2015		Kniv Blade			
Pos. Fig.	Antal Quantity	Art nr Part No	Benämning	Description	Anmärkning Notes
1	3	112735108/1	Skruv	Screw	
2	1	122465607/3	Knivfäste D22,2	Hub With Pulley, Crankshaft Ø 22.2	
3	1	181004398/0	Kniv	Blade Winged	
4	1	122160400/0	Fjäderbricka	Elastic Disc	
5	1	112523080/0	Bricka	Washer	
6	1	112735698/0	Skruv	Screw	
7	1	112139100/0	Kil	Key	



Utgåva Issue 3 - 2015		Gräsuppsamlare Grass-Catcher			
Pos. Fig.	Antal Quantity	Art nr Part No	Benämning	Description	Anmärkning Notes
1	1	381008129/0	Lucka-gul	Stone Guard, Yellow	Yellow
2	1	122450466/0	Fjäder	Left Spring	
3	1	122517882/0	Stift	Pin	
4	1	122450465/0	Fjäder	Right Spring	
5	2	112604899/0	Starlock	Crown Fastener	
6	1	122608505/0	Tradbygel	Stiffening	
7	2	112728680/0	Skruv	Screw	
8	2	322545159/0	Plat	Plate	
9	1	322393721/0	Handtag	Handle	Grey
10	1	381486031/0	Uppsaml.Överdel	Grass-Box, Upper	Grey
11	1	181002345/0	Uppsamlings säck	Box, Fabric	

code	pos.	q.ty	page				
112139100/0	7	1	p. 17	181002345/0	11	1	p. 19
112150000/0	8	1	p. 3	181004398/0	3	1	p. 17
112154220/0	23	2	p. 11	181030100/0	16	1	p. 11
112154330/0	9	2	p. 11	322034002/0	19	1	p. 3
112154510/0	4	1	p. 3	322041967/1	11	4	p. 11
112154510/0	5	2	p. 9	322060197/3	2	1	p. 7
112154510/0	8	2	p. 5	322108295/1	1	1	p. 9
112154510/0	12	3	p. 11	322109530/0	5	1	p. 13
112154510/0	14	3	p. 3	322110746/0	5	2	p. 15
112154510/0	17	1	p. 3	322110755/0	3	2	p. 15
112155000/0	25	4	p. 3	322120115/0	38	2	p. 3
112155000/0	27	1	p. 11	322192156/0	29	1	p. 11
112436051/0	12	1	p. 3	322226196/0	5	1	p. 5
112521310/0	7	1	p. 3	322291150/0	1	1	p. 7
112521350/0	24	4	p. 3	322393639/0	7	1	p. 5
112523000/1	2	2	p. 5	322393721/0	9	1	p. 19
112523000/1	20	2	p. 11	322394503/0	6	1	p. 3
112523080/0	5	1	p. 17	322394522/0	20	1	p. 3
112604896/0	9	2	p. 9	322399835/0	24	2	p. 11
112604899/0	5	2	p. 19	322488301/0	21	1	p. 11
112727784/0	14	1	p. 11	322488303/0	22	1	p. 11
112727799/0	6	2	p. 5	322500103/0	1	1	p. 5
112727801/0	15	1	p. 3	322545152/0	34	2	p. 3
112727803/0	3	2	p. 9	322545159/0	8	2	p. 19
112727803/0	13	3	p. 3	322551639/0	17	1	p. 11
112727812/0	19	2	p. 11	322600145/0	21	2	p. 3
112728124/0	3	2	p. 5	322600208/0	27	2	p. 3
112728450/0	18	1	p. 3	322600313/0	2	1	p. 9
112728530/0	3	3	p. 7	322680017/0	26	2	p. 11
112728680/0	7	2	p. 19	322722800/0	8	1	p. 13
112728691/0	11	1	p. 13	322722801/0	7	1	p. 13
112728697/0	33	4	p. 3	322785123/0	3	1	p. 13
112728697/0	35	4	p. 3	322785304/1	36	2	p. 3
112728702/0	10	2	p. 13	322806639/0	4	1	p. 9
112728706/0	39	6	p. 3	322806644/0	18	1	p. 11
112728721/0	13	2	p. 11	381002032/0	11	1	p. 3
112731590/0	1	2	p. 13	381002887/1	16	1	p. 3
112735108/1	1	3	p. 17	381003253/0	25	2	p. 11
112735662/1	10	4	p. 11	381003349/0	2	1	p. 11
112735698/0	6	1	p. 17	381003398/0	3	1	p. 3
112760605/0	30	1	p. 11	381003472/0	3	1	p. 11
112788512/0	5	1	p. 3	381004732/0	1	1	p. 3
118120052/0	4	1	p. 13	381005185/0	4	1	p. 11
118203853/0	6	2	p. 9	381005187/0	5	1	p. 11
118204120/0	12	1	p. 13	381006670/2	1	1	p. 11
118210016/1	13	1	p. 13	381007416/2	2	4	p. 15
118450050/0	9	1	p. 13	381007417/2	4	2	p. 15
119216035/0	1	8	p. 15	381008129/0	1	1	p. 19
122140222/0	4	1	p. 7	381030097/0	15	1	p. 11
122160400/0	4	1	p. 17	381302835/1	31	1	p. 3
122430309/0	8	1	p. 11	381486031/0	10	1	p. 19
122446192/0	41	1	p. 3				
122450456/0	7	1	p. 9				
122450460/0	32	1	p. 3				
122450465/0	4	1	p. 19				
122450466/0	2	1	p. 19				
122465607/3	2	1	p. 17				
122517869/1	8	1	p. 9				
122517882/0	3	1	p. 19				
122534131/0	2	1	p. 3				
122570133/0	40	1	p. 3				
122570134/0	37	1	p. 3				
122608505/0	6	1	p. 19				
122943013/0	10	1	p. 3				
125038002/1	28	1	p. 11				
125160012/0	2	2	p. 13				