



## **Reservdelskatalog Parts Catalogue**

# **VILLA 107M**

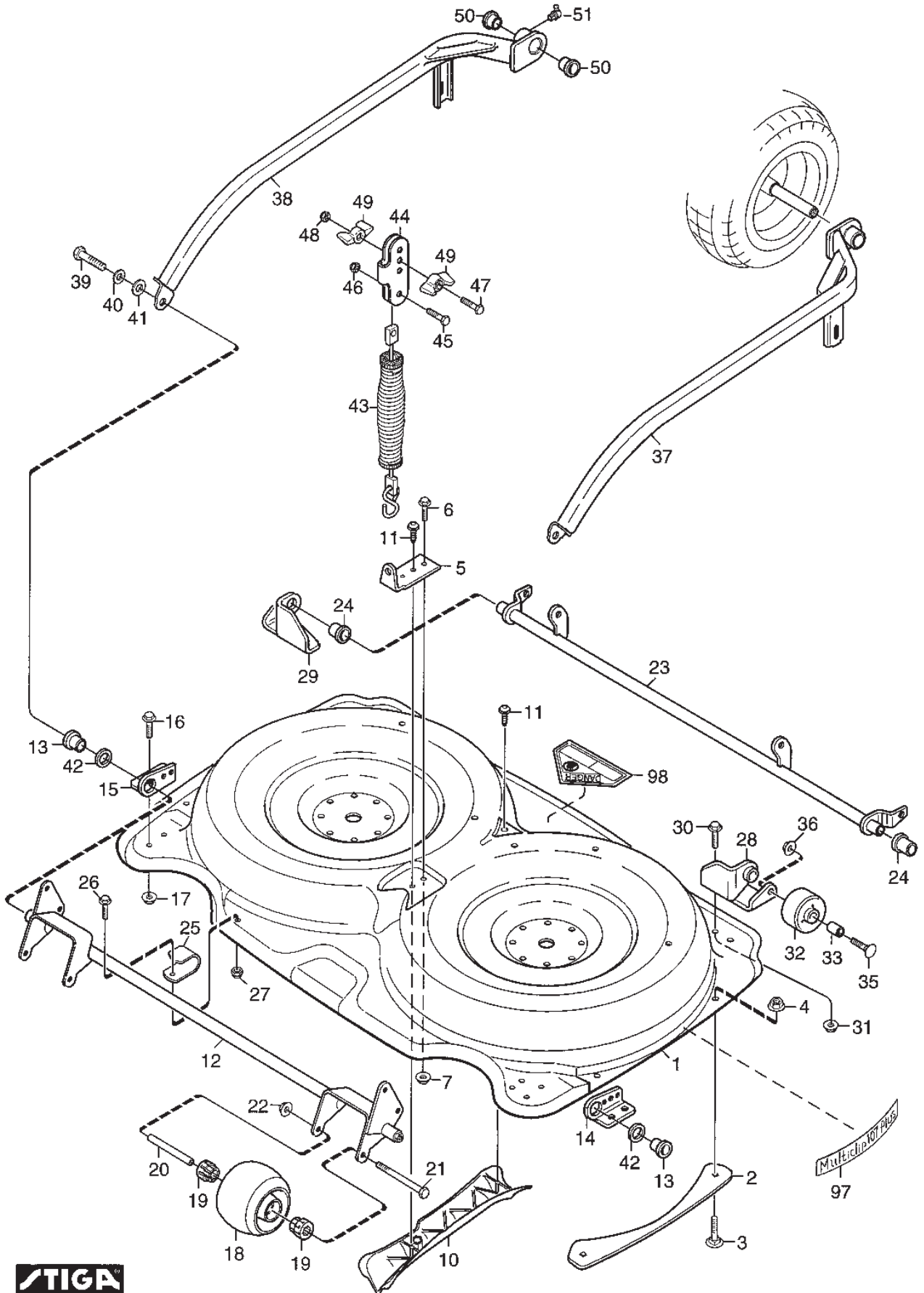
**13-2930-24 - Season 2001**

- Use GLOBAL GARDEN PRODUCT Genuine Spare Parts specified in the parts list for repair and/or replacement.
  - The contents described in the parts list may change due to improvement.
  - The drawings of the spare parts are only indicative and might not represent the part in question exactly.
  - The indications "right" - "left" - "front" - "rear" refer to the position of the operator when using the machine.
- When placing orders of parts for repair and/or replacement, make sure that the illustrated parts list is the one applying to the machine's year of manufacture, as shown on the identification plate attached to the machine.

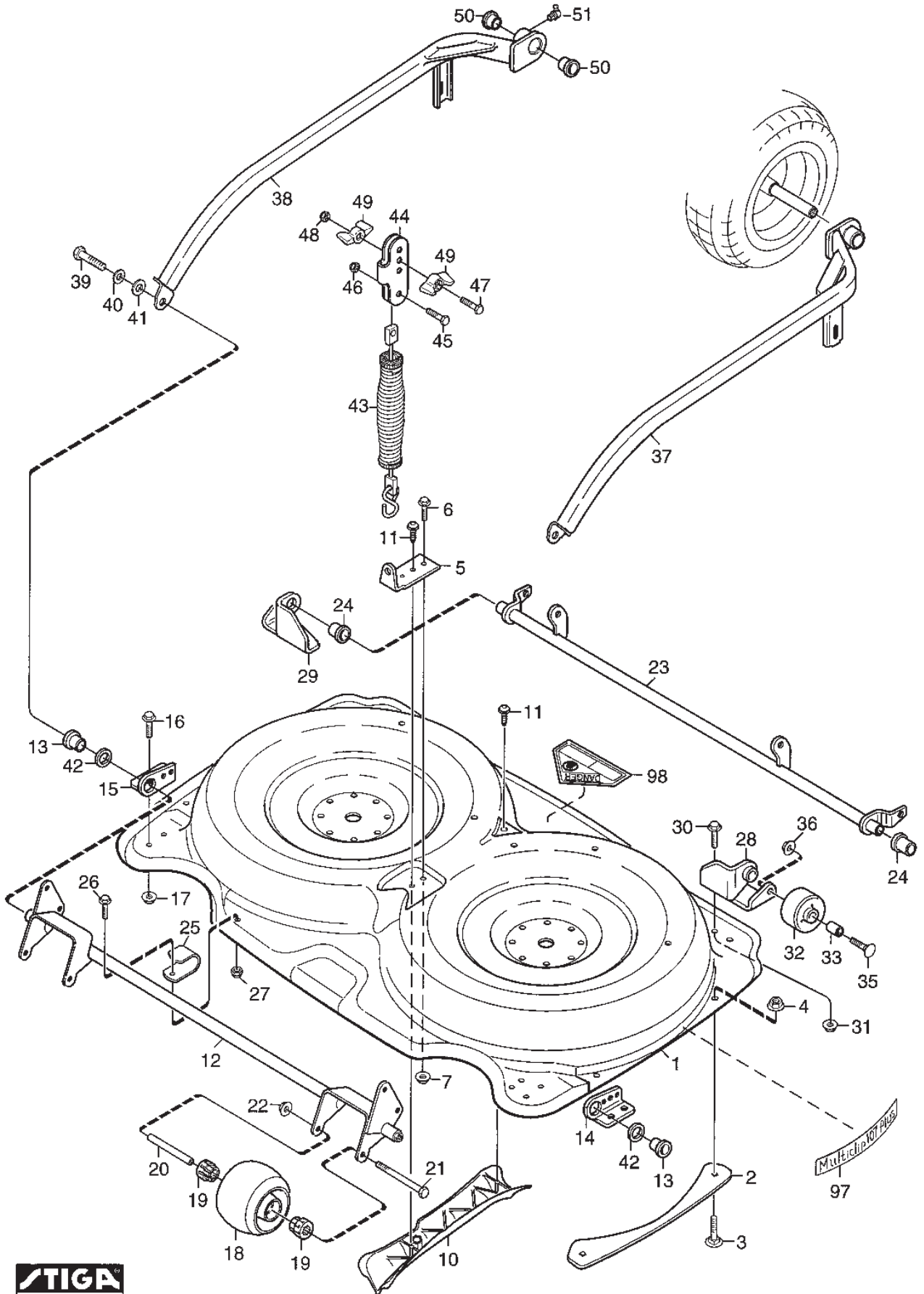
© Copyright 2014 Global Garden Products

All rights reserved. No part of this material may be reproduced or transmitted, in any form or by any means, electronic or mechanical, including photocopying, recording or by any information storage and retrieval system, without permission in writing from GLOBAL GARDEN PRODUCTS.

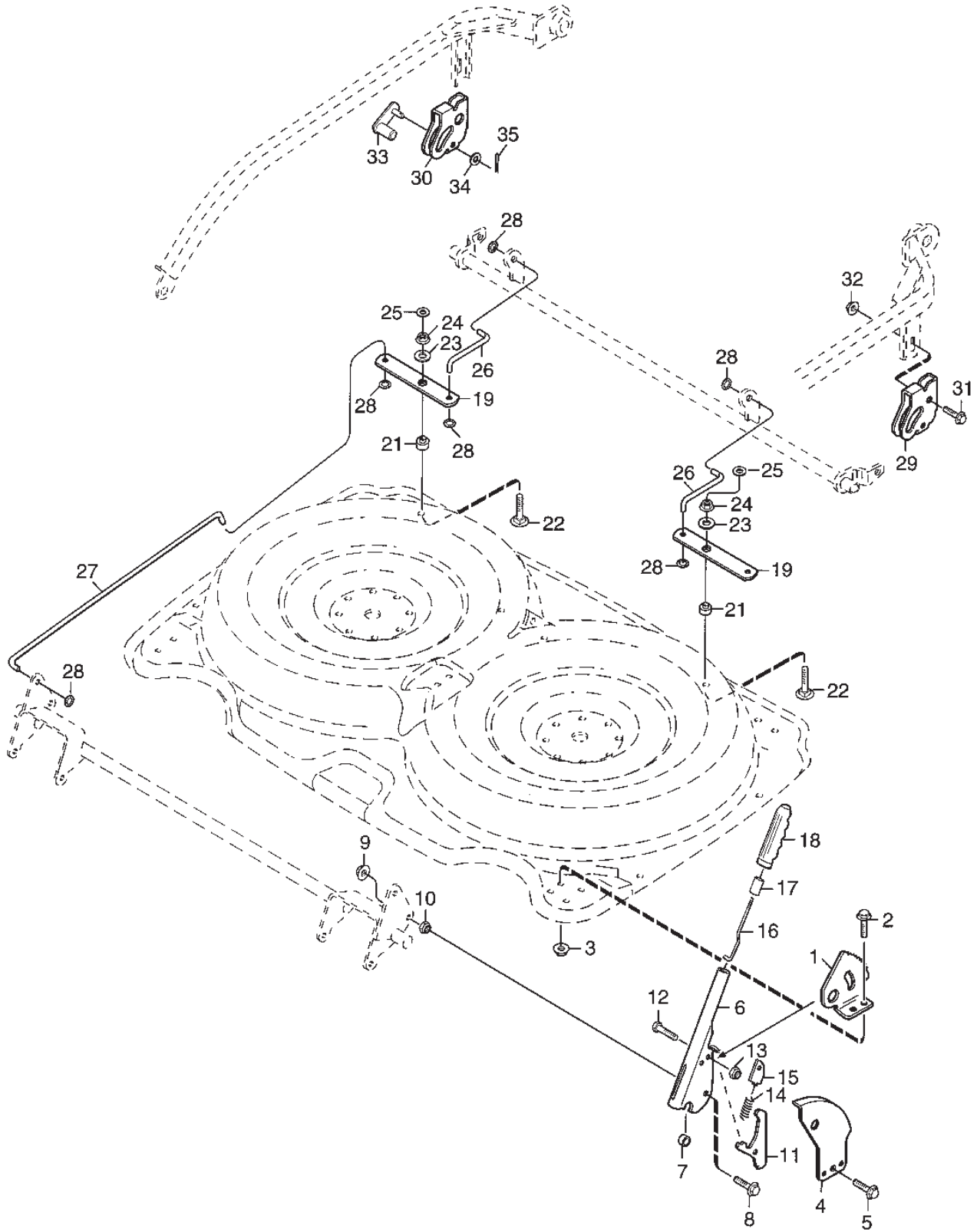
[www.stiga.com](http://www.stiga.com)



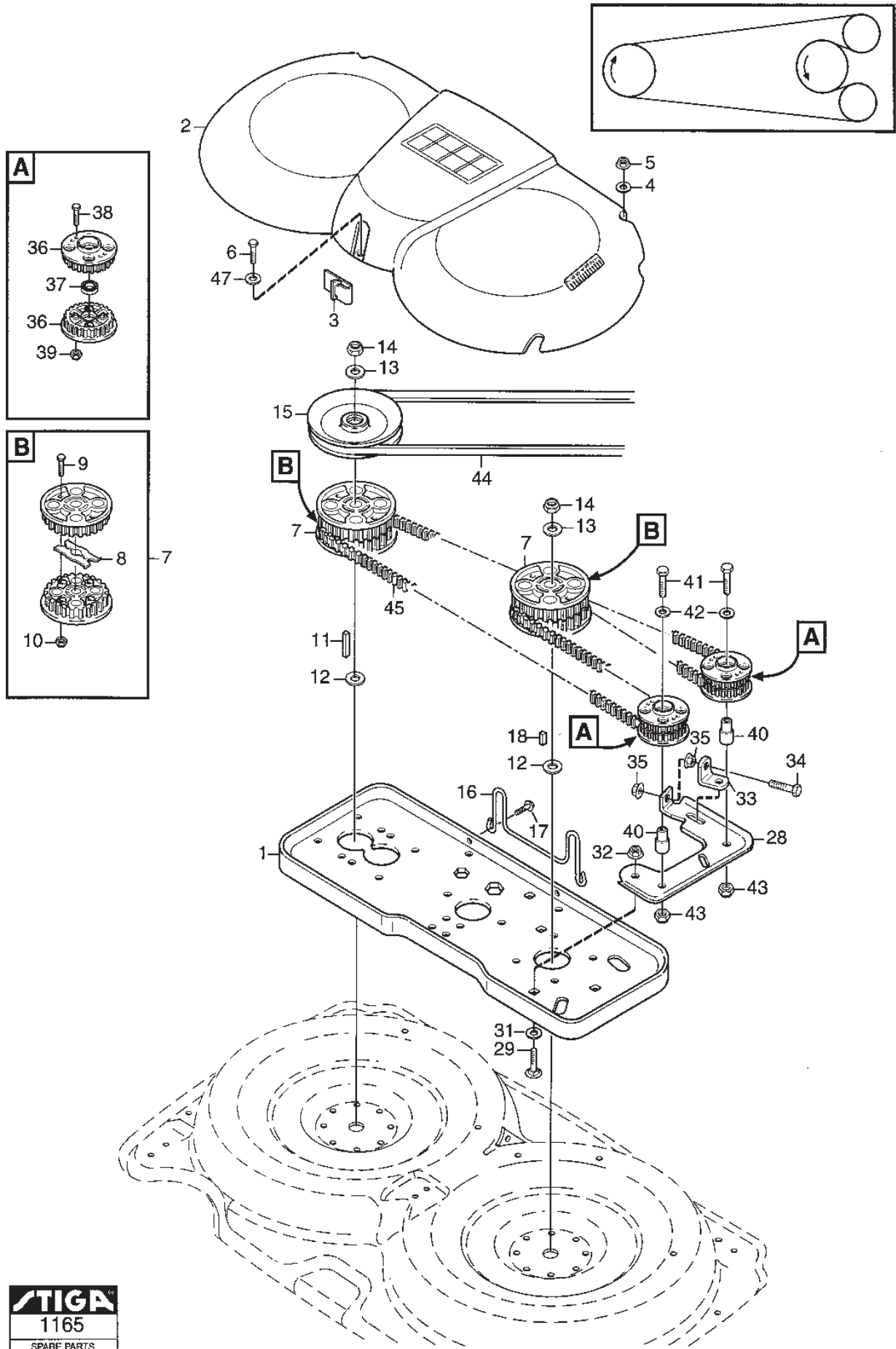
Utgåva Issue 48 - 2014					
Pos. Fig.	Antal Quantity	Art nr Part No	Benämning	Description	Anmärkning Notes
1	1	1134-4234-01	Kapa	Casing	
2	2	1134-4323-01	Ledplåt	Guide Plate	
3	4	9897-0616-16	Skruv	Screw	
4	4	9739-0631-22	Mutter	Nut	
5	1	1134-4320-01	Lyftöra1-00 F12	Lift Bracket	
6	1	9959-0820-16	Skruv	Screw	
7	1	9739-0831-22	Mutter	Nut	
10	1	1134-4331-01	Ledskena	Guide bar	
11	2	9836-9530-12	Skruv	Screw	
12	1	1134-4531-01	Framaxel 1-00 L04A	Front Axle	
13	1	1134-9024-01	Lager (4 St)	Bearing	Sats 4 st/kit of 4
14	1	1134-4292-01	Lagerfäste V 5-01F24	Bearing Holder-Lh	
15	1	1134-4292-02	Lagerfäste H 5-01 F 24	Bearing Support	
16	4	9959-0816-16	Skruv	Screw	
17	4	9739-0831-22	Mutter	Nut	
18	2	1134-4284-01	Hjul	Wheel	
19	4	1134-4319-01	Lager	Bearing	
20	2	1134-4318-01	Hjulaxel	Wheel Axle	
21	2	9997-0812-02	Skruv	Screw	
22	2	9739-0831-22	Mutter	Nut	
23	1	1134-4300-01	Bakaxel Kpl1-00 L02M6	Rear Axle	
24	1	1134-9024-01	Lager (4 St)	Bearing	Sats 4 st/kit of 4
25	2	1134-4689-01	Stöd	Support	
26	2	9959-0616-16	Skruv	Screw	
27	2	9747-0631-02	Mutter   Lasmutter	Nut	
28	1	1134-4299-01	Fäste V 5-01 F24	Wheel Attachment-Lh	
29	1	1134-4299-02	Hjulfäste	Wheel Attachment-Rh	
30	4	9959-0816-16	Skruv	Screw	
31	4	9739-0831-22	Mutter	Nut	
32	2	1134-3434-01	Rulle	Roller	
33	2	1134-0041-05	Bussning	Bushing	
35	2	9898-1060-12	Skruv	Screw	
36	2	9739-1031-22	Mutter	Nut	
37	1	1134-4544-01	Aggregatsarm Kpl-Vä	Mower Deck Arm, Left	
38	1	1134-4544-02	Aggregatsarm Kpl-Hö	Mower Deck Arm, Right	
39	2	9997-1016-16	Skruv	Screw	
40	2	9699-0030-02	Bricka	Washer	10 x 26 x 2.0
41	2	9699-0104-02	Bricka	Washer	17 x 30 x 3.0
42	2	1134-4745-01	Bricka	Washer	
43	1	1134-4574-01	Fjäder	Spring	
44	1	1134-4577-01	Fjäder	Spring	
45	1	9997-0825-16	Skruv	Screw	
46	1	9747-0831-02	Mutter   Lasmutter	Nut	
47	1	9997-0835-12	Skruv	Screw	
48	1	9747-0831-02	Mutter   Lasmutter	Nut	
49	2	1134-4481-01	Vingmutter	Wing Nut	
50	1	1134-9026-01	Bussning	Bearing	Sats 4 st/kit of 4
51	2	9501-0502-00	Smörjnippel	Grease Joint	
97	2	9402-3486-01	Dekal	Label	



Utgåva Issue 48 - 2014					
Pos. Fig.	Antal Quantity	Art nr Part No	Benämning	Description	Anmärkning Notes
98	1	9402-3124-00	Dekal	Label	US, CA

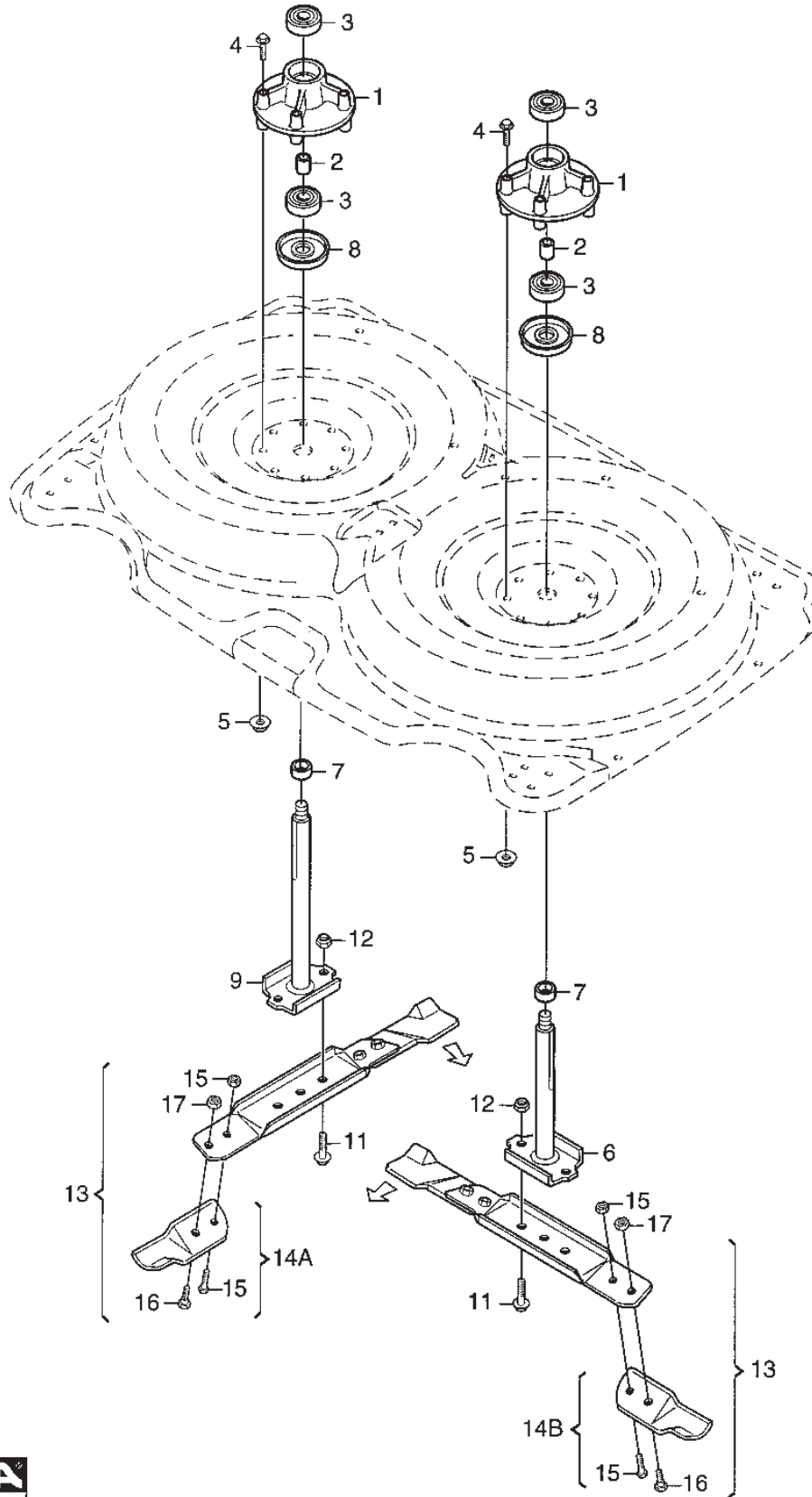


Utgåva Issue 48 - 2014		Reglage		Controls	
Pos. Fig.	Antal Quantity	Art nr Part No	Benämning	Description	Anmärkning Notes
1	1	1134-4290-01	Höjdsegment	Height Adjust Quadrant	
2	2	9959-0816-16	Skruv	Screw	
3	2	9739-0831-22	Mutter	Nut	
4	1	1134-4291-02	Höjdvinsningsplåt	Height Adjusting Plate	
5	1	9945-0816-16	Skruv	Screw	
6	1	1134-3039-01	Höjdinställningsspak	Lever, Height Adjustment	
7	1	1134-2427-01	Distans	Spacer	
8	1	9959-0830-16	Skruv	Screw	
9	1	9739-0831-22	Mutter	Nut	
10	1	9747-0831-02	Mutter   Lasmutter	Nut	
11	1	1134-3010-01	Lassegment	Locking Quadrant	
12	1	9997-0620-16	Skruv	Screw	
13	1	9747-0631-02	Mutter   Lasmutter	Nut	
14	1	1134-3262-01	Fjäder	Spring	
15	1	1134-3009-01	Laskil	Locking Key	
16	1	1134-3041-01	Reglagestang	Control Rod	
17	1	1134-3051-01	Lasratt	Locking Knob	
18	1	9406-0006-00	Handtag 01.100.026 Faca	Handle	
19	2	1134-4296-02	Länkarm	Pivot Arm	
21	2	1134-4298-02	Distans	Spacer	
22	2	9897-0850-12	Skruv	Screw	
23	2	9699-0028-02	Bricka	Washer	
24	2	9739-0831-22	Mutter	Nut	
25	2	9699-0056-02	Bricka	Washer	
26	2	1134-4294-01	Tryckstang	Push Rod	
27	2	1134-4294-02	Tryckstang	Push Rod	
28	8	9675-0012-02	Starlock	Locking washer	
29	1	1134-4304-01	Justeringsplatta-vä	Adjusting Plate, Left	
30	1	1134-4304-02	Justeringsplatta-hö	Adjusting Plate, Right	
31	2	9959-0816-16	Skruv	Screw	
32	2	9739-0831-22	Mutter	Nut	
33	2	1134-4307-01	Lashake Kpl	Catch	
34	2	9699-0025-02	Bricka	Washer	
35	2	9599-0054-02	SaxSprint   Saxsprint	Split Pin	

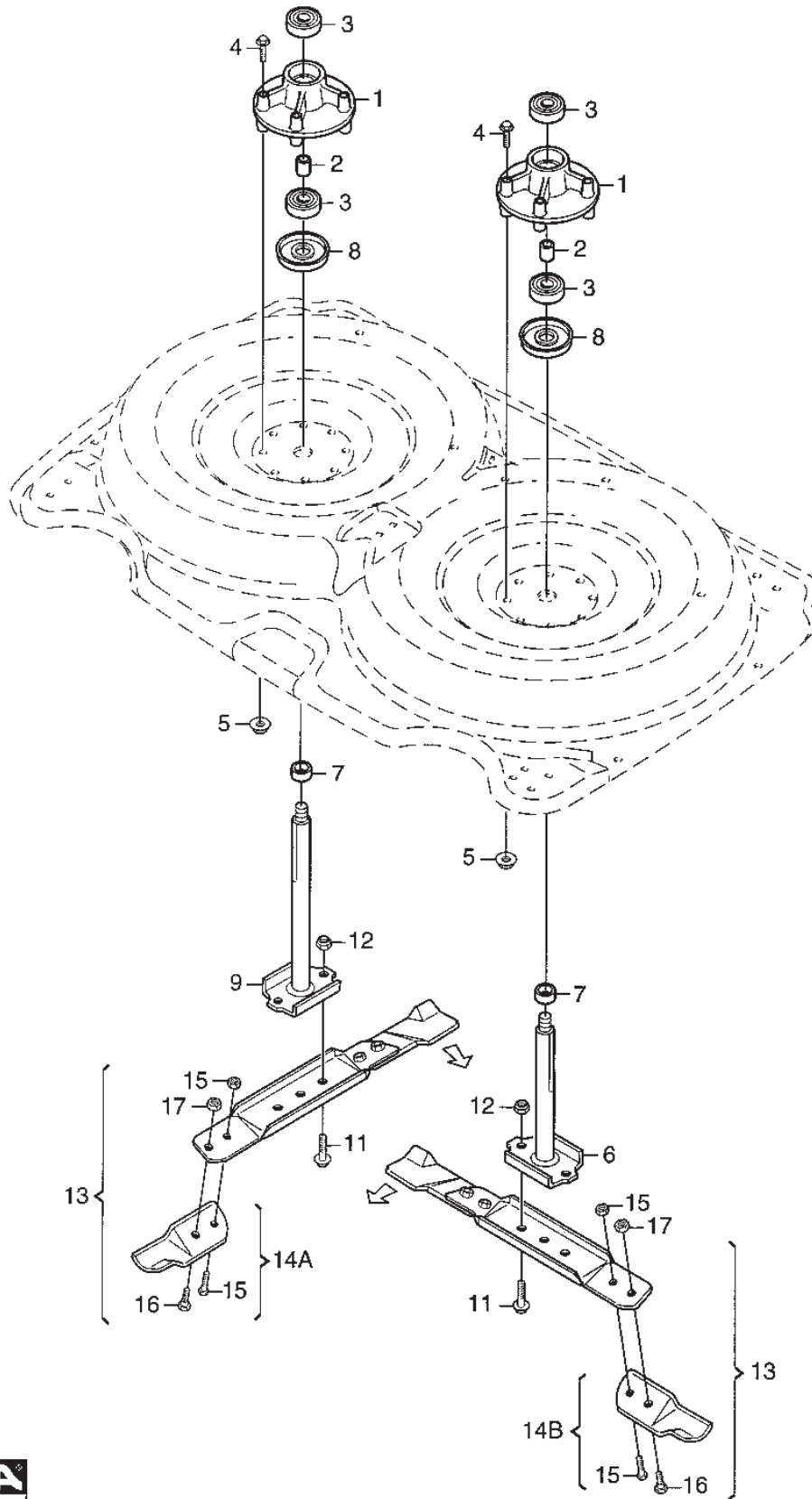




Utgåva Issue 48 - 2014					
Pos. Fig.	Antal Quantity	Art nr Part No	Benämning	Description	Anmärkning Notes
1	1	1134-4748-01	Transmissionsplatta	Transmission Plate	
2	1	1134-4542-01	Transmissionskapa 1077-14	Transmission Cover	
3	3	1134-3632-01	Remstyrning	Belt Guide	
4	2	9699-0028-02	Bricka	Washer	
5	2	9747-0831-02	Mutter   Lasmutter	Nut	
6	1	9942-0612-16	Skruv	Screw	
7	2	1134-3679-01	Kuggremskiva	Toothed Belt Pulley	
8	1	1134-3597-01	Medbringare	Reinforcement	
9	2	9997-0625-16	Skruv	Screw	
10	2	9747-0631-02	Mutter   Lasmutter	Nut	
11	1	1134-0323-04	Plattkil	Key	L = 40 mm
12	2	9699-0104-02	Bricka	Washer	
13	2	9699-0030-02	Bricka	Washer	
14	2	1134-4775-01	Mutter	Nut	
15	1	1134-4732-01	Remskiva	Belt Pulley	Ø = 163.5 mm
16	1	1134-4747-01	Bygel	Guide	
17	2	9945-0816-16	Skruv	Screw	
18	1	1134-0323-03	Plattkil	Key	L = 22 mm
28	1	1134-4322-01	Spännarm	Tension Arm	
29	3	9897-0825-16	Skruv	Screw	
31	3	9699-0036-02	Bricka	Washer	
32	3	9739-0831-22	Mutter	Nut	
33	1	1134-4317-01	Vinkelfäste	Angle Bracket	
34	1	9997-0880-16	Skruv	Screw	
35	2	9739-0831-22	Mutter	Nut	
36	4	1134-4321-01	Kuggremskiva	Toothed Pulley	
37	2	9549-0019-00	Kullager	Ball Bearing	
38	8	9997-0625-16	Skruv	Screw	
39	8	9747-0631-02	Mutter   Lasmutter	Nut	
40	2	1134-4316-01	Tapp	Shaft	
41	2	9997-1050-16	Skruv	Screw	
42	2	9699-0030-02	Bricka	Washer	
43	2	9712-1031-02	Lasmutter	Nut	
44	1	1134-9068-01	Kilrem	V-Belt	= 9585-0127-01
45	1	9585-0096-01	Kuggrem	Toothed Belt	
47	1	9699-0060-02	Bricka	Washer	



Utgåva Issue 48 - 2014					
Pos. Fig.	Antal Quantity	Art nr Part No	Benämning	Description	Anmärkning Notes
1	2	1134-4311-01	Lagerbox	Bearing box	
1	1	1134-4234-01	Kapa	Casing	
1	2	1134-4311-01	Lagerbox	Bearing box	
2	2	1134-4323-01	Ledplåt	Guide Plate	
2	2	1134-3725-04	Distans	Spacer	
3	4	9897-0616-16	Skruv	Screw	
3	4	9549-0020-00	Kullager	Ball Bearing	
4	8	9997-0865-12	Skruv	Screw	
4	4	9739-0631-22	Mutter	Nut	
4	8	9997-0865-12	Skruv	Screw	
5	8	9739-0831-22	Mutter	Nut	
5	1	1134-4320-01	Lyftöra1-00 F12	Lift Bracket	
5	8	9739-0831-22	Mutter	Nut	
6	1	1134-4600-04	Knivaxel	Blade Shaft	L = 127 mm
6	1	9959-0820-16	Skruv	Screw	
7	1	9739-0831-22	Mutter	Nut	
7	2	1134-3725-04	Distans	Spacer	
8	2	1134-3768-01	Skyddsbricka	Bearing Cover	
9	1	1134-4600-03	Knivaxel	Blade Shaft	L = 146 mm
10	1	1134-4331-01	Ledskena	Guide bar	
11	4	9997-0820-16	Skruv	Screw	
11	2	9836-9530-12	Skruv	Screw	
11	4	9997-0820-16	Skruv	Screw	
12	4	9747-0831-02	Mutter   Lasmutter	Nut	
12	1	1134-4531-01	Framaxel 1-00 L04A	Front Axle	
12	4	9747-0831-02	Mutter   Lasmutter	Nut	
13	1	1134-9062-01	Knivbalk Kpl (107M)	Blade Bar Assy (107M)	Sats hö+vå/Kit L+R
13	1	1134-9062-01	Knivbalk Kpl (107M)	Blade Bar Assy (107M)	Sats hö+vå/Kit L+R
13	1	1134-9024-01	Lager (4 St)	Bearing	Sats 4 st/kit of 4
14	1	1134-9063-02	Knivsats (Counter Clock Wise)	Blade Kit (Counter Clock Wise)	Counter Clockwise
14	1	1134-9063-02	Knivsats (Counter Clock Wise)	Blade Kit (Counter Clock Wise)	Counter Clockwise
14	1	1134-9063-01	Knivsats (Clock Wise)	Blade Kit (Clock Wise)	Clockwise rotation
14	1	1134-9063-01	Knivsats (Clock Wise)	Blade Kit (Clock Wise)	Clockwise rotation
14	1	1134-4292-01	Lagerfäste V 5-01F24	Bearing Holder-Lh	
15	1	1134-9054-01	Brytbultsats	Shear Bolt Kit	6 bultar/6 bolts+nuts
15	1	1134-9054-01	Brytbultsats	Shear Bolt Kit	6 bultar/6 bolts+nuts
15	1	1134-4292-02	Lagerfäste H 5-01 F 24	Bearing Support	
16	4	9959-0816-16	Skruv	Screw	
16	2	1134-4479-01	Ansatsbult (M8)	Shoulder Bolt (M8)	
17	4	9739-0831-22	Mutter	Nut	
17	2	9712-0831-02	Lasmutter	Nut	
18	2	1134-4284-01	Hjul	Wheel	
19	4	1134-4319-01	Lager	Bearing	
20	2	1134-4318-01	Hjulaxel	Wheel Axle	
21	2	9997-0812-02	Skruv	Screw	
22	2	9739-0831-22	Mutter	Nut	
23	1	1134-4300-01	Bakaxel Kpl1-00 L02M6	Rear Axle	
24	1	1134-9024-01	Lager (4 St)	Bearing	Sats 4 st/kit of 4
25	2	1134-4689-01	Stöd	Support	



Utgåva Issue 48 - 2014					
Pos. Fig.	Antal Quantity	Art nr Part No	Benämning	Description	Anmärkning Notes
26	2	9959-0616-16	Skruv	Screw	
27	2	9747-0631-02	Mutter   Lasmutter	Nut	
28	1	1134-4299-01	Fäste V 5-01 F24	Wheel Attachment-Lh	
29	1	1134-4299-02	Hjulfäste	Wheel Attachment-Rh	
30	4	9959-0816-16	Skruv	Screw	
31	4	9739-0831-22	Mutter	Nut	
32	2	1134-3434-01	Rulle	Roller	
33	2	1134-0041-05	Bussning	Bushing	
35	2	9898-1060-12	Skruv	Screw	
36	2	9739-1031-22	Mutter	Nut	
37	1	1134-4544-01	Aggregatsarm Kpl-Vä	Mower Deck Arm, Left	
38	1	1134-4544-02	Aggregatsarm Kpl-Hö	Mower Deck Arm, Right	
39	2	9997-1016-16	Skruv	Screw	
40	2	9699-0030-02	Bricka	Washer	10 x 26 x 2.0
41	2	9699-0104-02	Bricka	Washer	17 x 30 x 3.0
42	2	1134-4745-01	Bricka	Washer	
43	1	1134-4574-01	Fjäder	Spring	
44	1	1134-4577-01	Fjäder	Spring	
45	1	9997-0825-16	Skruv	Screw	
46	1	9747-0831-02	Mutter   Lasmutter	Nut	
47	1	9997-0835-12	Skruv	Screw	
48	1	9747-0831-02	Mutter   Lasmutter	Nut	
49	2	1134-4481-01	Vingmutter	Wing Nut	
50	1	1134-9026-01	Bussning	Bearing	Sats 4 st/kit of 4
51	2	9501-0502-00	Smörjnippel	Grease Joint	
97	2	9402-3486-01	Dekal	Label	
98	1	9402-3124-00	Dekal	Label	US, CA
999	1	1134-9063-02	Knivsats (Counter Clock Wise)	Blade Kit (Counter Clock Wise)	Counter Clockwise
999	1	1134-9063-01	Knivsats (Clock Wise)	Blade Kit (Clock Wise)	Clockwise rotation

code	pos.	q.ty	page								
1134-0041-05	33	2	p. 3	1134-4544-02	38	1	p. 3	9739-0831-22	9	1	p. 7
1134-0041-05	33	2	p. 13	1134-4544-02	38	1	p. 13	9739-0831-22	17	4	p. 3
1134-0323-03	18	1	p. 9	1134-4574-01	43	1	p. 3	9739-0831-22	17	4	p. 11
1134-0323-04	11	1	p. 9	1134-4574-01	43	1	p. 13	9739-0831-22	22	2	p. 3
1134-2427-01	7	1	p. 7	1134-4577-01	44	1	p. 3	9739-0831-22	22	2	p. 11
1134-3009-01	15	1	p. 7	1134-4577-01	44	1	p. 13	9739-0831-22	24	2	p. 7
1134-3010-01	11	1	p. 7	1134-4600-03	9	1	p. 11	9739-0831-22	31	4	p. 3
1134-3039-01	6	1	p. 7	1134-4600-04	6	1	p. 11	9739-0831-22	31	4	p. 13
1134-3041-01	16	1	p. 7	1134-4689-01	25	2	p. 3	9739-0831-22	32	2	p. 7
1134-3051-01	17	1	p. 7	1134-4689-01	25	2	p. 11	9739-0831-22	32	3	p. 9
1134-3262-01	14	1	p. 7	1134-4732-01	15	1	p. 9	9739-0831-22	35	2	p. 9
1134-3434-01	32	2	p. 3	1134-4745-01	42	2	p. 3	9739-1031-22	36	2	p. 3
1134-3434-01	32	2	p. 13	1134-4745-01	42	2	p. 13	9739-1031-22	36	2	p. 13
1134-3597-01	8	1	p. 9	1134-4747-01	16	1	p. 9	9747-0631-02	10	2	p. 9
1134-3632-01	3	3	p. 9	1134-4748-01	1	1	p. 9	9747-0631-02	13	1	p. 7
1134-3679-01	7	2	p. 9	1134-4775-01	14	2	p. 9	9747-0631-02	27	2	p. 3
1134-3725-04	2	2	p. 11	1134-9024-01	13	1	p. 3	9747-0631-02	27	2	p. 13
1134-3725-04	7	2	p. 11	1134-9024-01	13	1	p. 11	9747-0631-02	39	8	p. 9
1134-3768-01	8	2	p. 11	1134-9024-01	24	1	p. 3	9747-0831-02	5	2	p. 9
1134-4234-01	1	1	p. 3	1134-9024-01	24	1	p. 11	9747-0831-02	10	1	p. 7
1134-4234-01	1	1	p. 11	1134-9026-01	50	1	p. 3	9747-0831-02	12	4	p. 11
1134-4284-01	18	2	p. 3	1134-9026-01	50	1	p. 13	9747-0831-02	12	4	p. 11
1134-4284-01	18	2	p. 11	1134-9054-01	15	1	p. 11	9747-0831-02	46	1	p. 3
1134-4290-01	1	1	p. 7	1134-9054-01	15	1	p. 11	9747-0831-02	46	1	p. 13
1134-4291-02	4	1	p. 7	1134-9062-01	13	1	p. 11	9747-0831-02	48	1	p. 3
1134-4292-01	14	1	p. 3	1134-9062-01	13	1	p. 11	9747-0831-02	48	1	p. 13
1134-4292-01	14	1	p. 11	1134-9063-01	14	1	p. 11	9836-9530-12	11	2	p. 3
1134-4292-02	15	1	p. 3	1134-9063-01	14	1	p. 11	9836-9530-12	11	2	p. 11
1134-4292-02	15	1	p. 11	1134-9063-01	999	1	p. 13	9897-0616-16	3	4	p. 3
1134-4294-01	26	2	p. 7	1134-9063-02	14	1	p. 11	9897-0616-16	3	4	p. 11
1134-4294-02	27	2	p. 7	1134-9063-02	14	1	p. 11	9897-0825-16	29	3	p. 9
1134-4296-02	19	2	p. 7	1134-9063-02	999	1	p. 13	9897-0850-12	22	2	p. 7
1134-4298-02	21	2	p. 7	1134-9068-01	44	1	p. 9	9898-1060-12	35	2	p. 3
1134-4299-01	28	1	p. 3	9402-3124-00	98	1	p. 5	9898-1060-12	35	2	p. 13
1134-4299-01	28	1	p. 13	9402-3124-00	98	1	p. 13	9942-0612-16	6	1	p. 9
1134-4299-02	29	1	p. 3	9402-3486-01	97	2	p. 3	9945-0816-16	5	1	p. 7
1134-4299-02	29	1	p. 13	9402-3486-01	97	2	p. 13	9945-0816-16	17	2	p. 9
1134-4300-01	23	1	p. 3	9406-0006-00	18	1	p. 7	9959-0616-16	26	2	p. 3
1134-4300-01	23	1	p. 11	9501-0502-00	51	2	p. 3	9959-0616-16	26	2	p. 13
1134-4304-01	29	1	p. 7	9501-0502-00	51	2	p. 13	9959-0816-16	2	2	p. 7
1134-4304-02	30	1	p. 7	9549-0019-00	37	2	p. 9	9959-0816-16	16	4	p. 3
1134-4307-01	33	2	p. 7	9549-0020-00	3	4	p. 11	9959-0816-16	16	4	p. 11
1134-4311-01	1	2	p. 11	9585-0096-01	45	1	p. 9	9959-0816-16	30	4	p. 3
1134-4311-01	1	2	p. 11	9599-0054-02	35	2	p. 7	9959-0816-16	30	4	p. 13
1134-4316-01	40	2	p. 9	9675-0012-02	28	8	p. 7	9959-0816-16	31	2	p. 7
1134-4317-01	33	1	p. 9	9699-0025-02	34	2	p. 7	9959-0820-16	6	1	p. 3
1134-4318-01	20	2	p. 3	9699-0028-02	4	2	p. 9	9959-0820-16	6	1	p. 11
1134-4318-01	20	2	p. 11	9699-0028-02	23	2	p. 7	9959-0830-16	8	1	p. 7
1134-4319-01	19	4	p. 3	9699-0030-02	13	2	p. 9	9997-0620-16	12	1	p. 7
1134-4319-01	19	4	p. 11	9699-0030-02	40	2	p. 3	9997-0625-16	9	2	p. 9
1134-4320-01	5	1	p. 3	9699-0030-02	40	2	p. 13	9997-0625-16	38	8	p. 9
1134-4320-01	5	1	p. 11	9699-0030-02	42	2	p. 9	9997-0812-02	21	2	p. 3
1134-4321-01	36	4	p. 9	9699-0036-02	31	3	p. 9	9997-0812-02	21	2	p. 11
1134-4322-01	28	1	p. 9	9699-0056-02	25	2	p. 7	9997-0820-16	11	4	p. 11
1134-4323-01	2	2	p. 3	9699-0060-02	47	1	p. 9	9997-0820-16	11	4	p. 11
1134-4323-01	2	2	p. 11	9699-0104-02	12	2	p. 9	9997-0825-16	45	1	p. 3
1134-4331-01	10	1	p. 3	9699-0104-02	41	2	p. 3	9997-0825-16	45	1	p. 13
1134-4331-01	10	1	p. 11	9699-0104-02	41	2	p. 13	9997-0835-12	47	1	p. 3
1134-4479-01	16	2	p. 11	9712-0831-02	17	2	p. 11	9997-0835-12	47	1	p. 13
1134-4481-01	49	2	p. 3	9712-1031-02	43	2	p. 9	9997-0865-12	4	8	p. 11
1134-4481-01	49	2	p. 13	9739-0631-22	4	4	p. 3	9997-0865-12	4	8	p. 11
1134-4531-01	12	1	p. 3	9739-0631-22	4	4	p. 11	9997-0880-16	34	1	p. 9
1134-4531-01	12	1	p. 11	9739-0831-22	3	2	p. 7	9997-1016-16	39	2	p. 3
1134-4542-01	2	1	p. 9	9739-0831-22	5	8	p. 11	9997-1016-16	39	2	p. 13
1134-4544-01	37	1	p. 3	9739-0831-22	5	8	p. 11	9997-1050-16	41	2	p. 9
1134-4544-01	37	1	p. 13	9739-0831-22	7	1	p. 3				
				9739-0831-22	7	1	p. 11				