



Reservdelskatalog Parts Catalogue

VILLA 11E

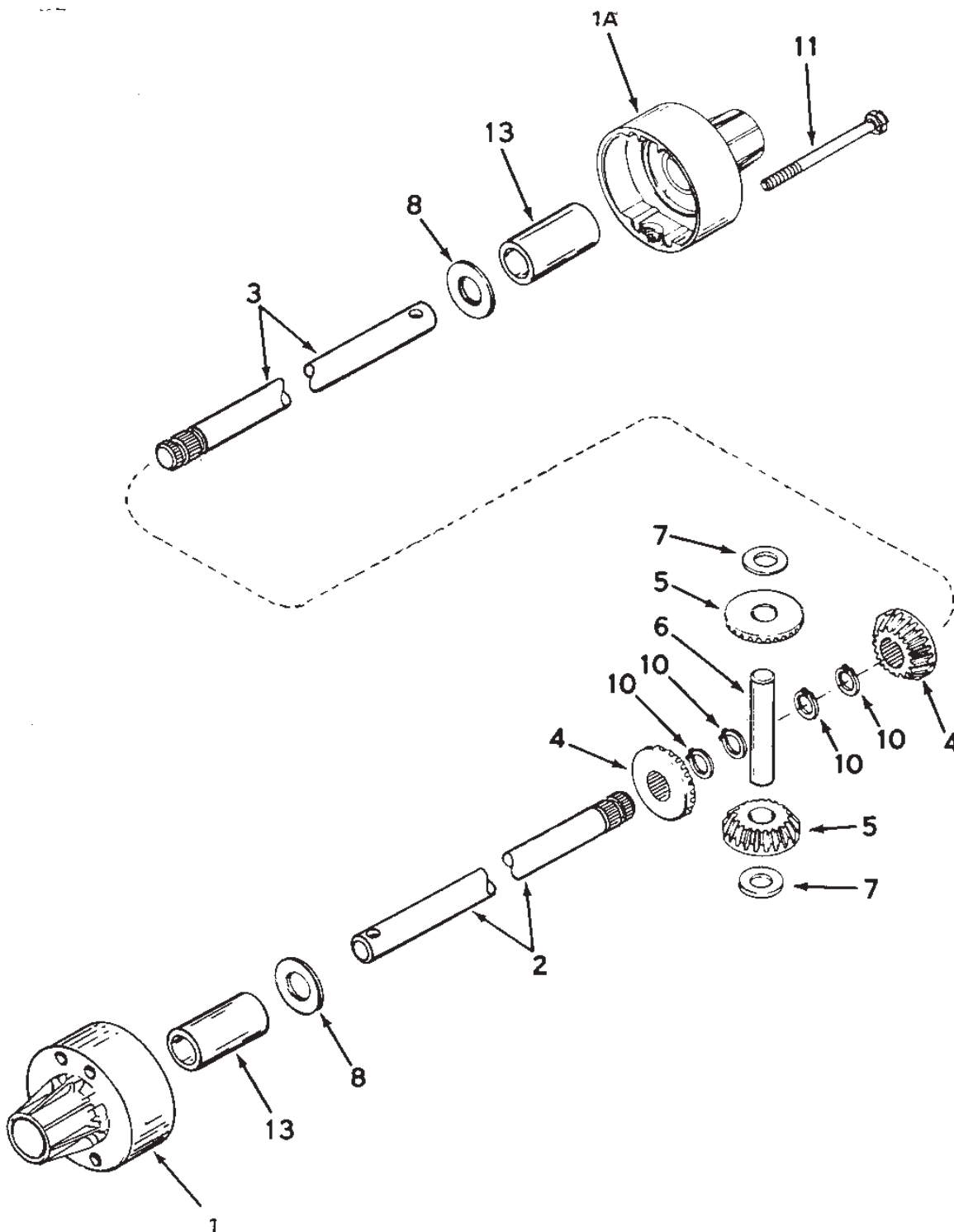
13-2858-15 - Season 1992

- Use GLOBAL GARDEN PRODUCT Genuine Spare Parts specified in the parts list for repair and/or replacement.
 - The contents described in the parts list may change due to improvement.
 - The drawings of the spare parts are only indicative and might not represent the part in question exactly.
 - The indications "right" - "left" - "front" - "rear" refer to the position of the operator when using the machine.
- When placing orders of parts for repair and/or replacement, make sure that the illustrated parts list is the one applying to the machine's year of manufacture, as shown on the identification plate attached to the machine.

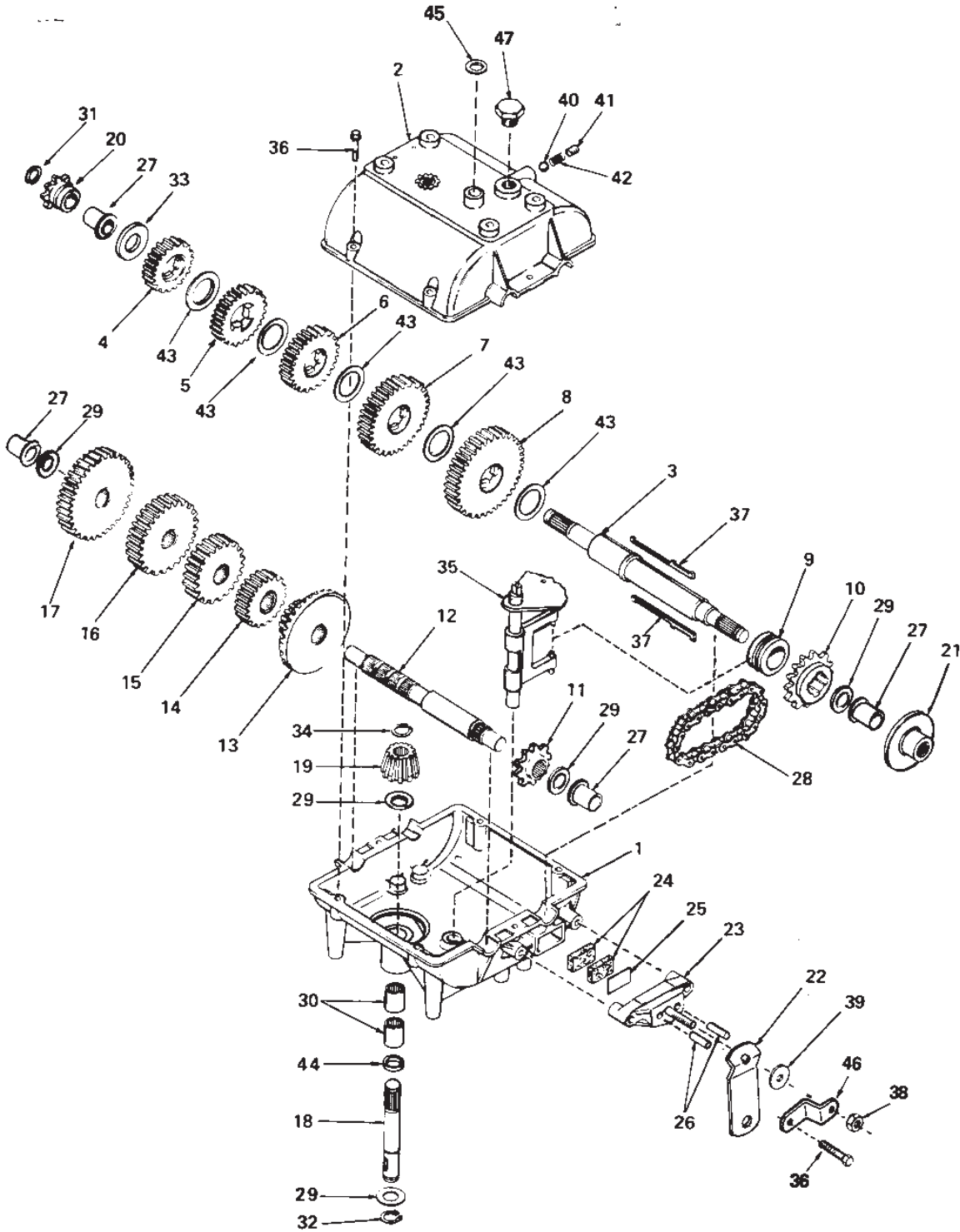
© Copyright 2014 Global Garden Products

All rights reserved. No part of this material may be reproduced or transmitted, in any form or by any means, electronic or mechanical, including photocopying, recording or by any information storage and retrieval system, without permission in writing from GLOBAL GARDEN PRODUCTS.

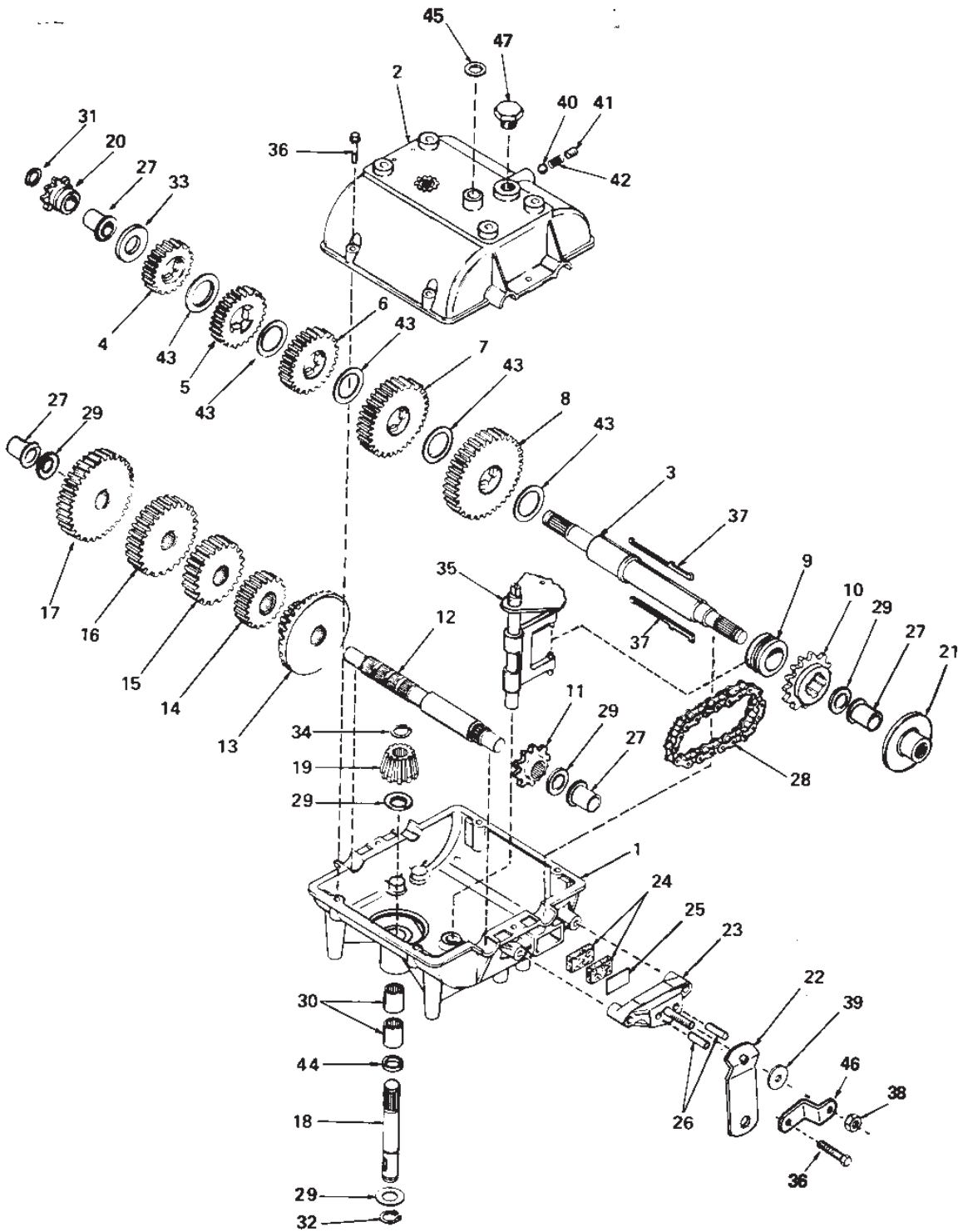
www.stiga.com



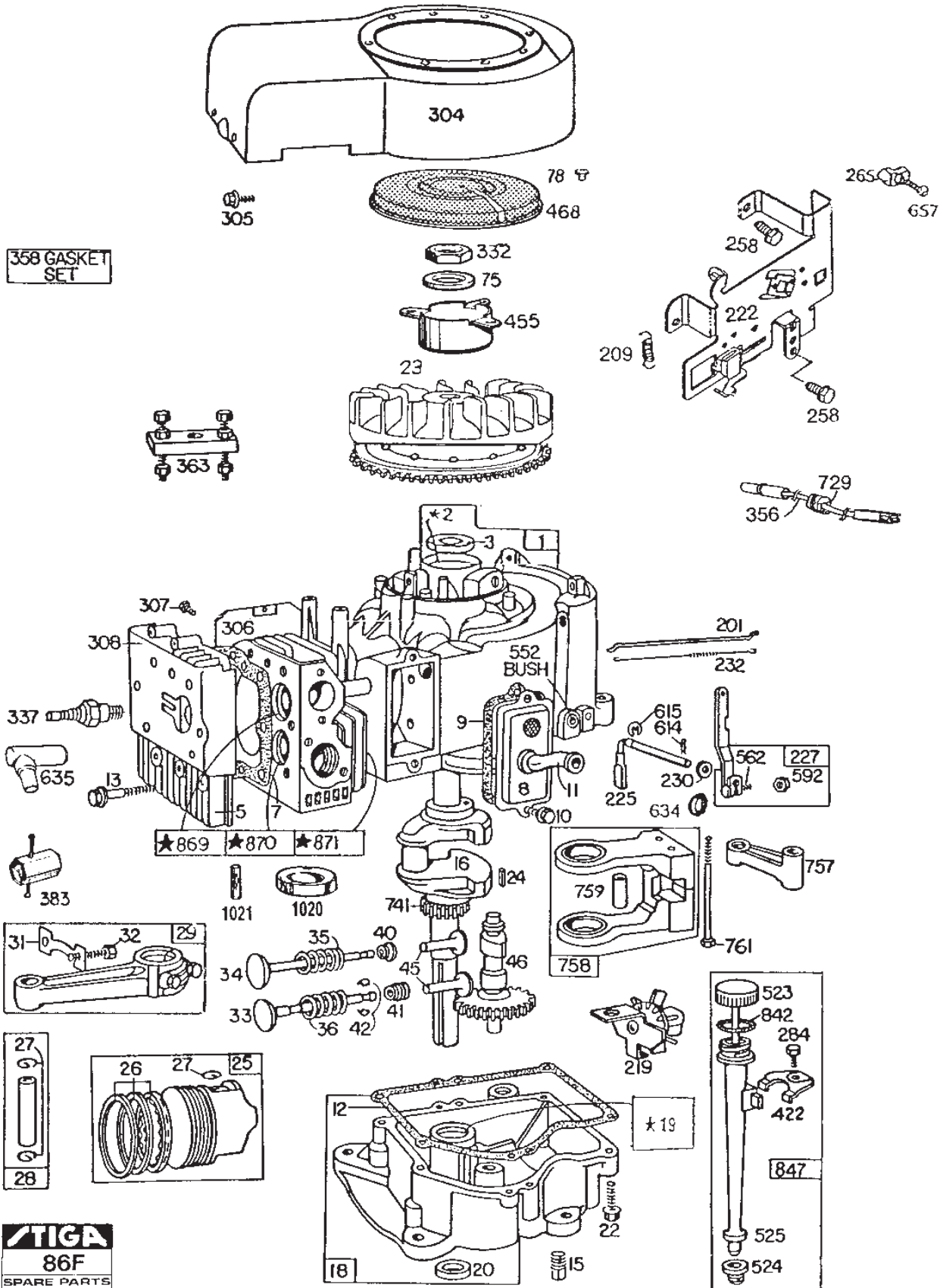
Utgåva Issue 36 - 2014		Tecumseh Peerless Differential 100-010A, 100-019A 100-023A		Tecumseh Peerless Differential 100-010A, 100-019A 100-023A	
Pos. Fig.	Antal Q.ty	Art nr Part No	Benämning	Description	Anmärkning Notes
0	1	1134-1694-03	Differentiell	Differential	Garden _/ 100-010B
0	1	1134-1694-04	Differentiell	Differential	Villa _/ 100-019B
0	1	1134-1694-04	Differentiell	Differential	Villa _/ 100-019B
0	1	1134-1878-01	Differentiell	Differential	Park 2000 _/ 100-023A
1	1	P000-7743-44	Housing	Housing	
1A	1	P000-7743-45	Housing	Housing	
1	1	P000-7744-84	Housing	Housing	100-023A
1A	1	P000-7744-85	Housing	Housing	100-023A
2	1	P000-7747-40	Axel	Axle	224 mm (splines) _/ 100-019B
2	1	P000-7747-40	Axel	Axle	224 mm (splines) _/ 100-019B
3	1	P000-7747-41	Axel	Axle	420 mm (splines) _/ 100-019B
3	1	P000-7747-41	Axel	Axle	420 mm (splines) _/ 100-019B
2	1	P000-7747-59	Axel	Axle	209 mm (splines) _/ 100-023A
3	1	P000-7747-60	Axel	Axle	434 mm (splines) _/ 100-023A
2	1	P000-7747-90	Axel	Axle	196 mm (splines) _/ 100-010A
3	1	P000-7747-91	Axel	Axle	449 mm (splines) _/ 100-010A
5	2	P000-7780-68	Drev	Gear	
4	2	P000-7782-21	Drev	Bevel gear	
8	2	P000-7800-01	Bricka	Washer	
13	1	P000-7800-77	Bussning	Bushing	100-023A
13	2	P000-7800-77	Bussning	Bushing	
7	2	P000-7800-96	Bricka	Washer	
13A	1	P000-7801-24	Bussning	Bushing	43 mm _/ 100-023A
6	1	P000-7860-40	Stift	Drive pin	
11	4	P000-7920-41	Skruv	Screw	
10	4	P000-7921-25	Låsring	Snap ring	
2	1	P007-7479-0A	Axel	Axle	196 mm (splines) _/ 100-010B
3	1	P007-7479-1A	Axel	Axle	449 mm (splines) _/ 100-010B
90	1	P007-8806-7B	Grease	Grease	



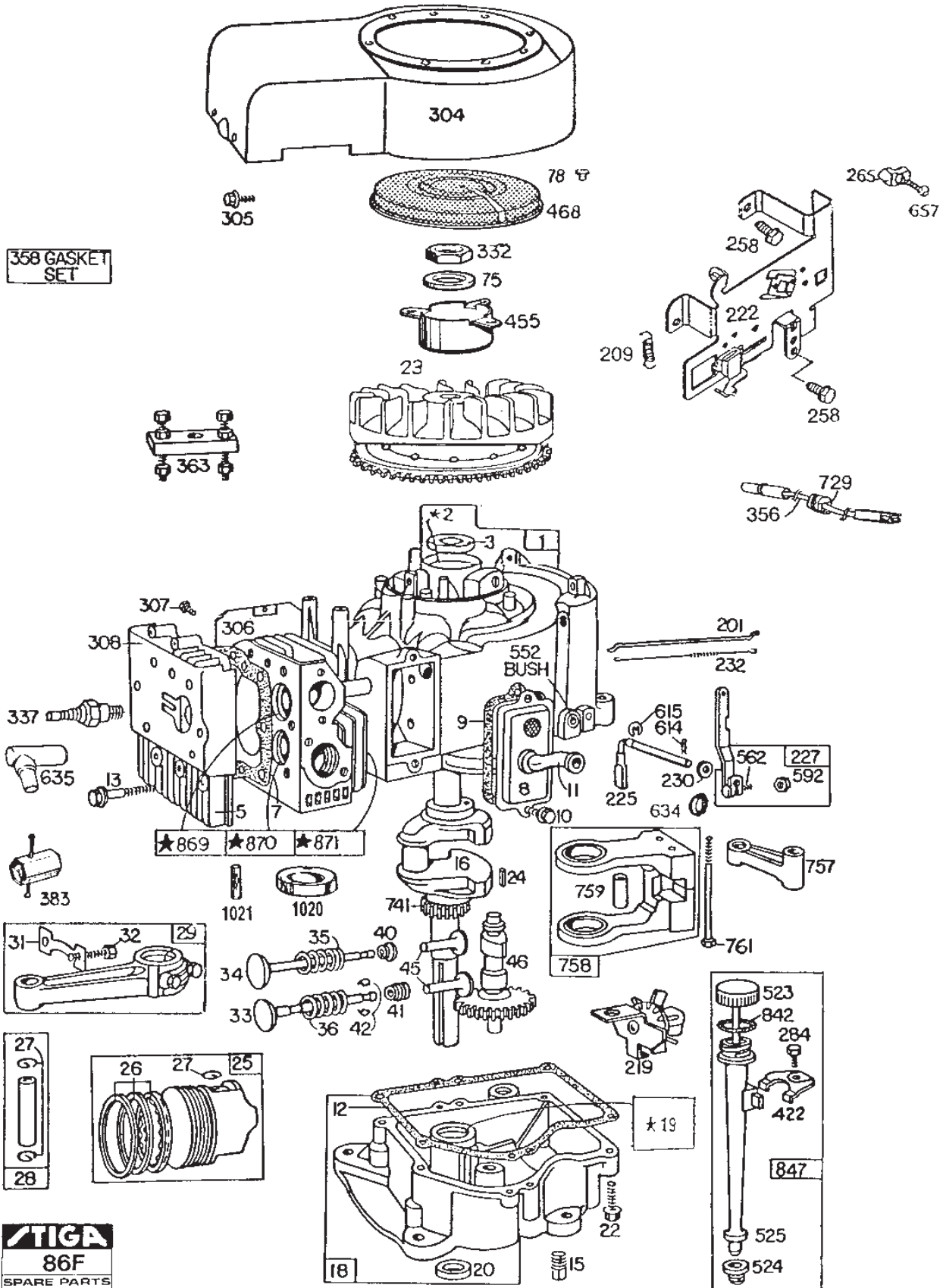
Utgåva Issue 36 - 2014		Tecumseh Peerless Väckellåda 781A 786A		Tecumseh Peerless Gearbox 781A 786A	
Pos. Fig.	Antal Q.ty	Art nr Part No	Benämning	Description	Anmärkning Notes
0	1	9500-9949-00	Väckellåda 781B	Gear Box 781B	19 Villa _/ 781A
0	1	9500-9950-00	Transmission assy	Transmission assy	Garden _/ 786A
1	1	P000-7700-61	Case	Case	
2	1	P000-7720-83	Cover	Cover	
12	1	P000-7761-34	Axel	Shaft	
18	1	P000-7761-35	Axel	Shaft	
3	1	P000-7761-61	Axel	Shaft	
3	1	P000-7762-17	Axel	Shaft	
13	1	P000-7781-09	Gear	Gear	42T+15T
8	1	P000-7781-25	Gear	Gear	35T
29	5	P000-7800-72	Bricka	Washer	
30	2	P000-7800-86	Nållager	Needle Bearing	
43	5	P000-7801-08	Bricka	Washer	
33	1	P000-7801-09	Bricka	Washer	
9	1	P000-7842-66	Hylsa	Collar	
35	1	P000-7842-67	Shift rod	Shift rod	
26	2	P000-7860-26	TryckSprint	Dowel pin	
28	1	P000-7860-81	Kedja	Chain	24 länk/link
11	1	P000-7860-82	Kedjehjul	Sprocket	9T
10	1	P000-7860-83	Kedjehjul	Sprocket	18T
46	1	P000-7860-86	Fäste	Bracket	
20	1	P000-7861-14	Sprocket	Sprocket	781A
20	1	P000-7861-15	Sprocket	Sprocket	786A
34	1	P000-7880-40	Låsring	Retaining ring	
21	1	P000-7900-03	Bromsskiva	Brake Disc	
24	2	P000-7900-06	Bromsbelägg	Brake pad	
25	1	P000-7900-07	Tryck platta	Brake plate	
23	1	P000-7900-25	Hållare	Holder	
22	1	P000-7900-33	Bromsarm	Brake Lever	781A
22	1	P000-7900-37	Bromsarm	Brake Lever	786A
44	1	P000-7920-01	O-ring	O-ring	
32	1	P000-7920-35	Låsring	Retaining ring	
31	1	P000-7920-72	Retaining ring	Retaining ring	
36	6	P000-7920-73	Skruv	Screw	
36	8	P000-7920-73	Skruv	Screw	
47	1	P000-7920-74	Plug	Plug	
38	1	P000-7920-75	Mutter	Nut	
39	1	P000-7920-76	Bricka	Washer	
40	1	P000-7920-77	Kula	Ball	
41	1	P000-7920-78	Skruv	Screw	
42	1	P000-7920-79	Fjäder	Spring	
45	1	P000-7920-83	Bricka	Washer	
1	1	P007-7006-1A	Case	Case	
2	1	P007-7208-3A	Cover	Cover	
19	1	P007-7811-3A	Drev	Bevel pinion	
4	1	P007-7812-1A	Drev	Gear	20T
5	1	P007-7812-2A	Drev	Gear	22T
6	1	P007-7812-3A	Drev	Gear	25T
7	1	P007-7812-4A	Drev	Gear	30T



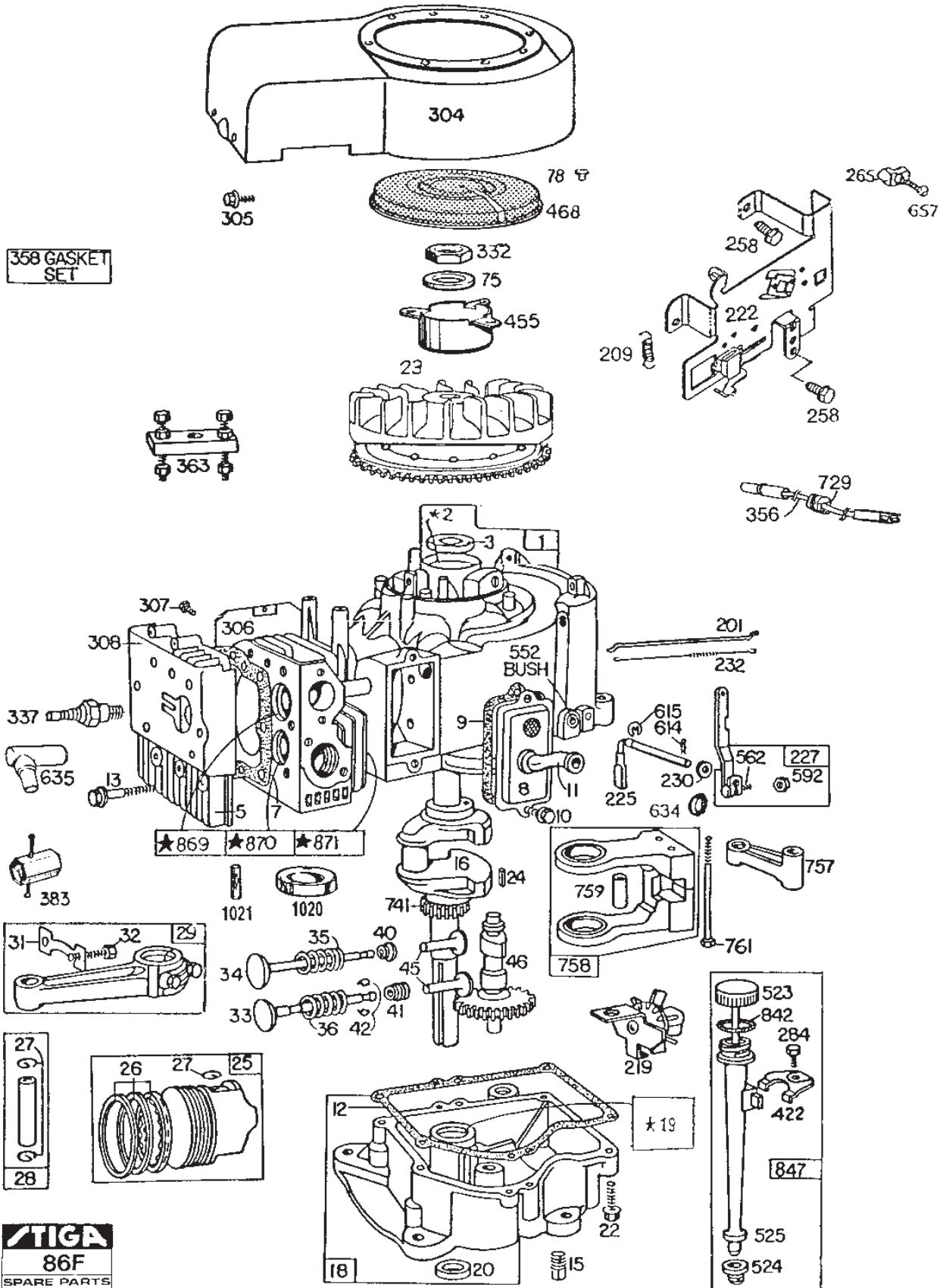
Utgåva Issue 36 - 2014		Tecumseh Peerless Väckellåda 781A 786A		Tecumseh Peerless Gearbox 781A 786A	
Pos. Fig.	Antal Q.ty	Art nr Part No	Benämning	Description	Anmärkning Notes
14	1	P007-7812-6A	Drev	Gear	20T
15	1	P007-7812-7A	Drev	Gear	25T
16	1	P007-7812-8A	Drev	Gear	28T
17	1	P007-7812-9A	Drev	Gear	30T
27	4	P007-8010-5A	Bussning	Bushing	
90	1	P007-8806-7B	Grease	Grease	
37	2	P007-9208-9A	Kil	Key	



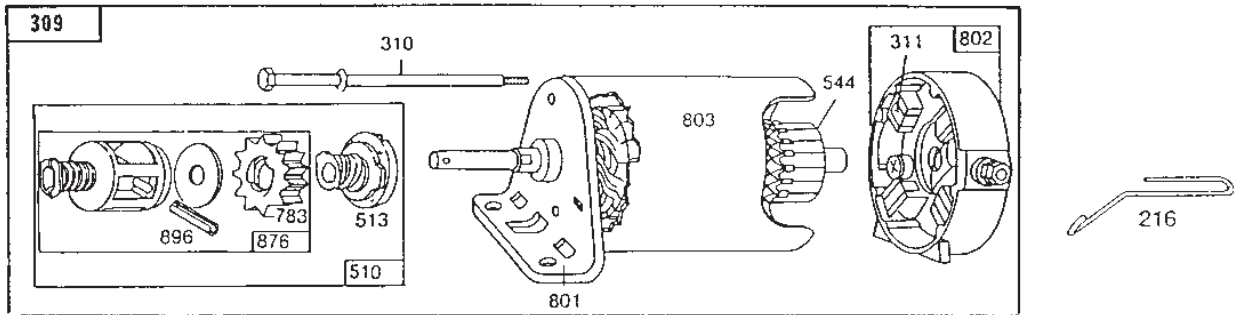
Utgåva Issue 36 - 2014		Cylinder Vevhus	Cylinder Crankcase		
Pos. Fig.	Antal Q.ty	Art nr Part No	Benämning	Description	Anmärkning Notes
363	1	19203	Avdragare	Puller	Tillbehör/Accessory
36	1	26828	Ventilfjäder-utblås	Valve spring-exhaust	
9	1	27803	Packning	Gasket	
35	1	65906	Ventilfjäder-insug	Valve spring-intake	
635	1	66538	Tändstiftsskydd	Spark plug elbow	
524	1	68838	Tätning	Seal	
332	1	92284	Mutter	Nut	
562	1	92613	Skruv	Screw	
32	2	92909	Skruv	Screw	
614	1	93306	Låsnål	Cotter Pin Cotter pin	
615	1	93307	Låsring	Retainer	
657	1	93496	Skruv	Screw	
22	6	93585	Skruv	Screw	
42	2	93630	Hållare	Retainer	
13	9	93723	Skruv	Screw	
78	3	93805	Skruv	Screw	
761	2	93875	Skruv	Screw	
307	1	93949	Skruv	Screw	
1020	1	94160	Stift	Pin	
1021	1	94160	Stift	Pin	
15	1	94239	Oil drain plug	Oil drain plug	
284	1	94419	Skruv	Screw	
305	4	94608	Skruv	Screw	
258	2	94620	Skruv	Screw	
10	2	94621	Skruv	Screw	
757	1	212359	Länk	Link	
46	1	212897	Kamaxel	Camshaft	
5	1	212914	Topplöck	Cylinder Head	
870	1	213316	Valve seat	Valve seat	
265	1	221535	Klämma	Clamp	
40	1	221596	Hållare	Retainer	
31	1	222299	Låsbleck	Lock	
230	1	222450	Bricka	Washer	
455	1	222561	Kopp	Cup	
468	1	222562	Nät	Screen	
24	1	222698	Kil	Key	
308	1	222725	Cover	Cover	
422	1	223394	Clamp	Clamp	
75	1	224061	Bricka	Washer	
306	1	224542	Shield	Shield	
225	1	231058	Regulatoraxel	Governor crank	
592	1	231082	Mutter	Nut	
871	1	231218	Ventilstyrning-insug	Valve guide-intake	
871	1	231218	Ventilstyrning-insug	Valve guide-intake	Se rep.handbok
871	1	231218	Ventilstyrning-insug	Valve guide-intake	Se rep.handbok
871	1	231218	Ventilstyrning-insug	Valve guide-intake	
552	1	231597	Bussning	Bushing	
27	2	260924	Låsring	Lock	
33	1	261185	Exhaust valve	Exhaust valve	



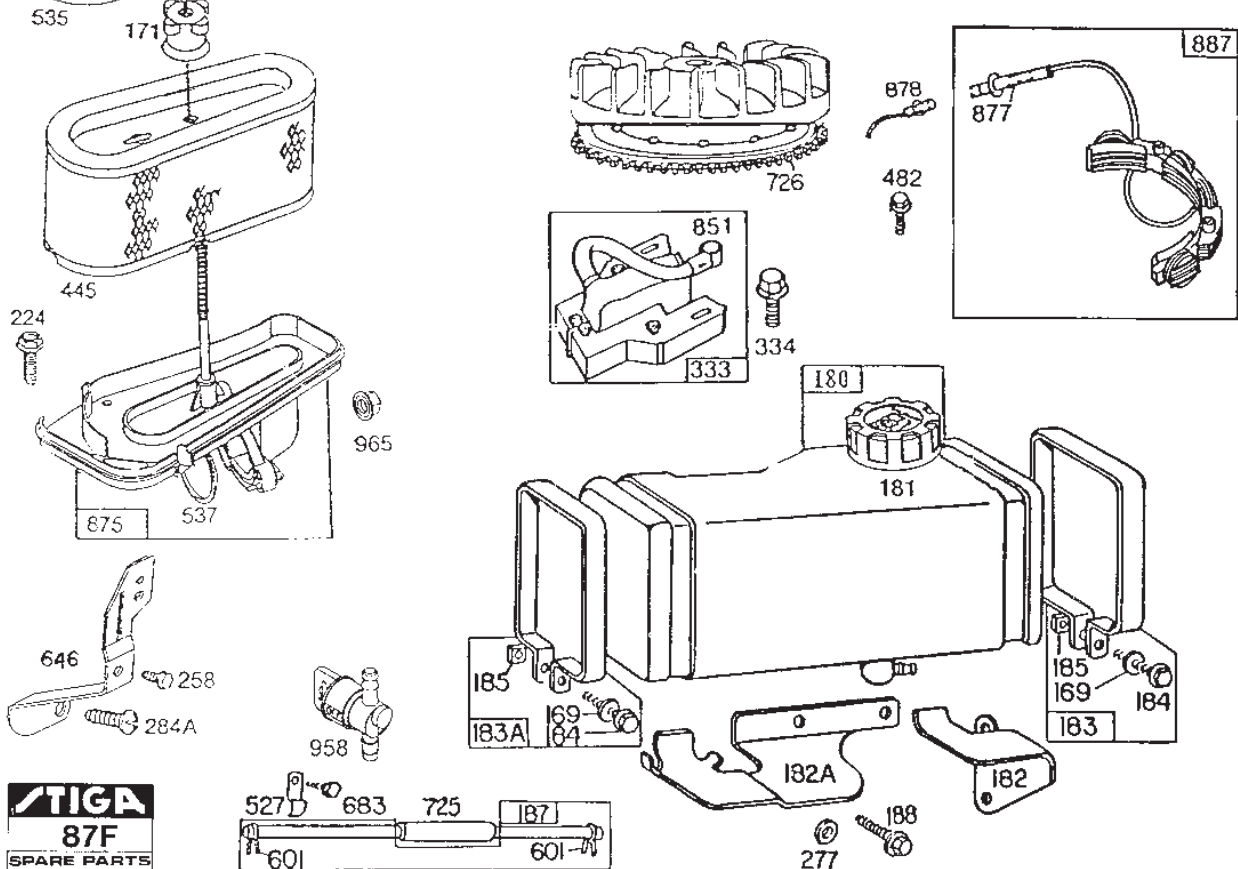
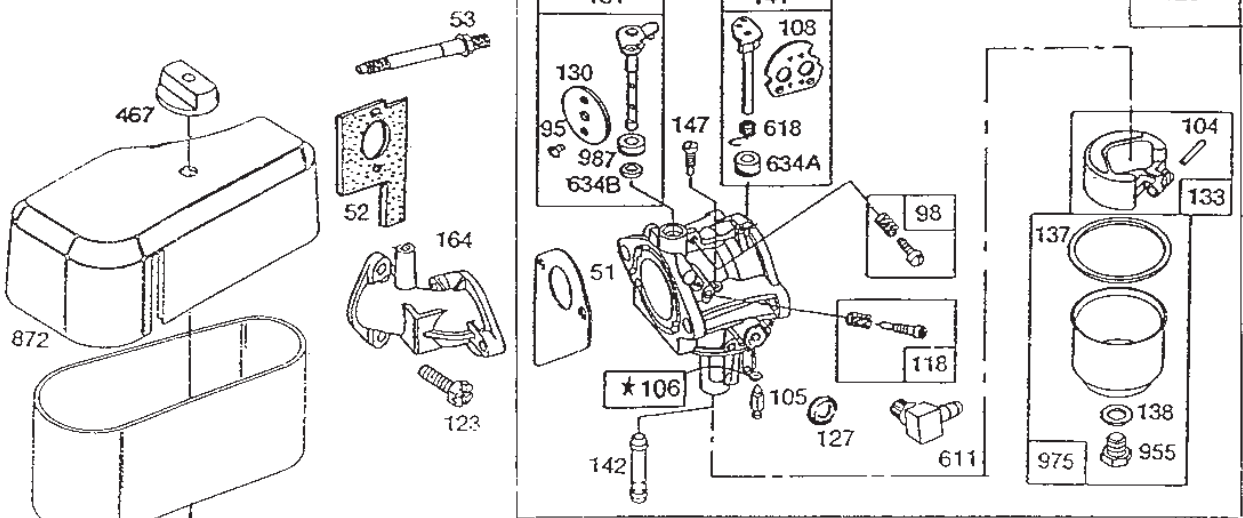
Utgåva Issue 36 - 2014		Cylinder Vevhus	Cylinder Crankcase		
Pos. Fig.	Antal Q.ty	Art nr Part No	Benämning	Description	Anmärkning Notes
1020	1	261242	Excenter	Eccentric	
1020	1	261242	Excenter	Eccentric	
34	1	261462	Insugningsventil	Intake valve	
869	1	261463	Ventilsäte	Valve seat	
871	1	261961	Ventilstyrning-utblås	Valve guide-exhaust	
871	1	261961	Ventilstyrning-utblås	Valve guide-exhaust	Se rep.handbok
871	1	261961	Ventilstyrning-utblås	Valve guide-exhaust	Se rep.handbok
871	1	261961	Ventilstyrning-utblås	Valve guide-exhaust	
741	1	262135	Drev	Gear	
45	2	262248	Ventillyftare	Valve tappet	
201	1	262767	Governor link	Governor link	
209	1	262784	Fjäder	Spring	
232	1	262785	Fjäder	Spring	
842	1	270920	Tätning	Seal	
12	1	271702	Packning	Gasket	
7	1	271866	Packning	Gasket	
11	1	280100	Rör	Tube	
525	1	280134	Rör	Tube	
729	1	281159	Clip	Clip	
20	1	291675	Tätning	Oil seal Oil Seal	
41	1	292260	Rotator	Rotocoil	
759	1	298909	Kolvspind	Piston Pin	
28	1	299691	Kolvspind	Piston Pin	
3	1	391086	Tätning	Seal	
	1	391086	Tätning	Seal	
758	1	391373	Balanseringsvikt	Counterweight	
8	1	391406	Vevhusventilation	Breather	
26	1	391780	Ring set	Ring set	
18	1	391784	Vevhus	Oil sump	
523	1	391841	Oil dipstick	Oil dipstick	
23	1	391988	Flywheel	Flywheel	
847	1	392067	Oljesticka kpl	Oil filler group	
358	1	393411	Packningssats	Gasket set	
25	1	394661	Kolv kpl	Piston Assy	
1	1	395705	Cylinder	Cylinder	
2	1	399265	Bussning	Bushing	
29	1	490348	Vevstake kpl	Connecting rod assy	
19	1	490666	Bussning	Bushing	
219	1	490815	Oljekastardrev	Oil slinger gear	
634	1	491323	Oil seal	Oil seal	
16	1	491647	Crankshaft	Crankshaft	
222	1	493896	Governor plate	Governor plate	
227	1	493935	Arm	Lever	
304	1	494087	Blower housing	Blower housing	
356	1	494328	Ground wire	Ground wire	
337	1	1111-9028-02	Tändstift (J19Lm)	Spark Plug (J19Lm)	
337	1	1111-9028-02	Tändstift (J19Lm)	Spark Plug (J19Lm)	Champion J19LM
337	1	1111-9028-02	Tändstift (J19Lm)	Spark Plug (J19Lm)	Champion J19LM



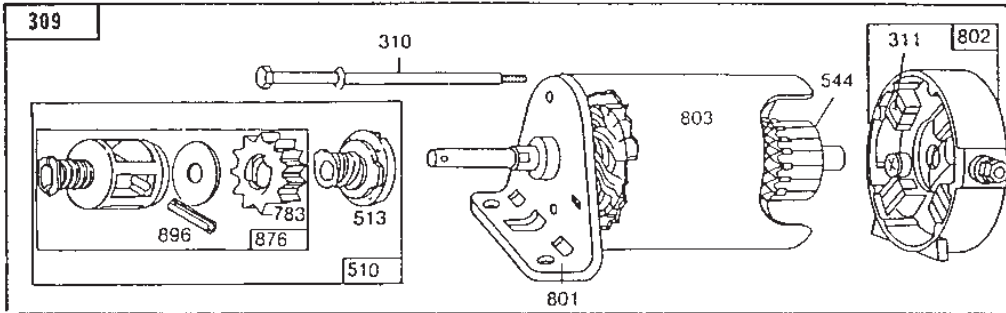
Utgåva Issue 36 - 2014		Cylinder Vevhus Cylinder Crankcase			
Pos. Fig.	Antal Q.ty	Art nr Part No	Benämning	Description	Anmärkning Notes
383	1	1111-9029-01	Tändstiftsnyckel (19 Mm-21 Mm)	Spark Plug Wrench (19 Mm-21 Mm)	Tillbehör/Accessory
337	1	9400-0225-00	Tändstift (J19Lm)	Spark Plug (J19Lm)	Champion J19LM
337	1	9400-0225-00	Tändstift (J19Lm)	Spark Plug (J19Lm)	Champion J19LM



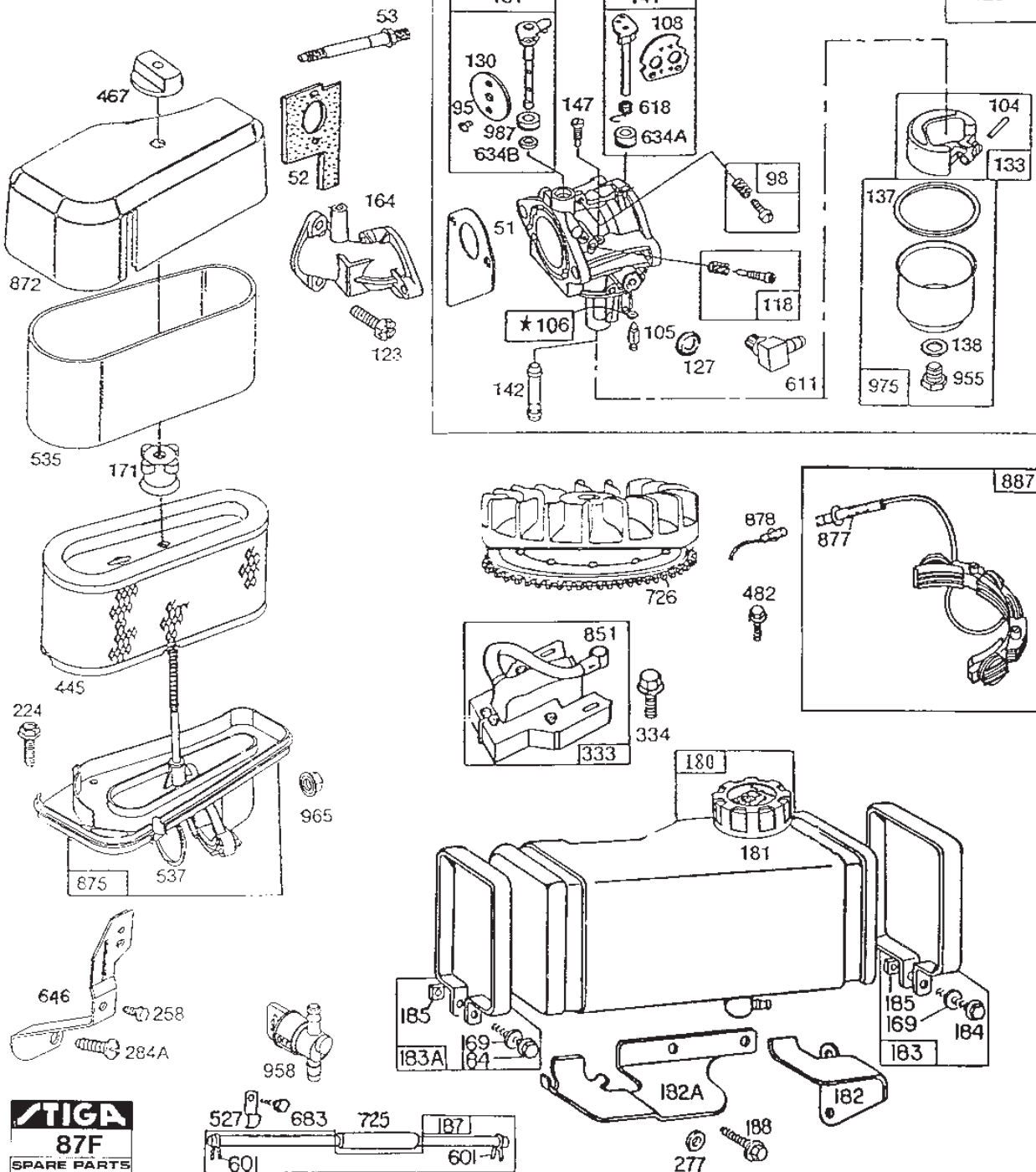
121 CARBURETOR OVERHAUL KIT



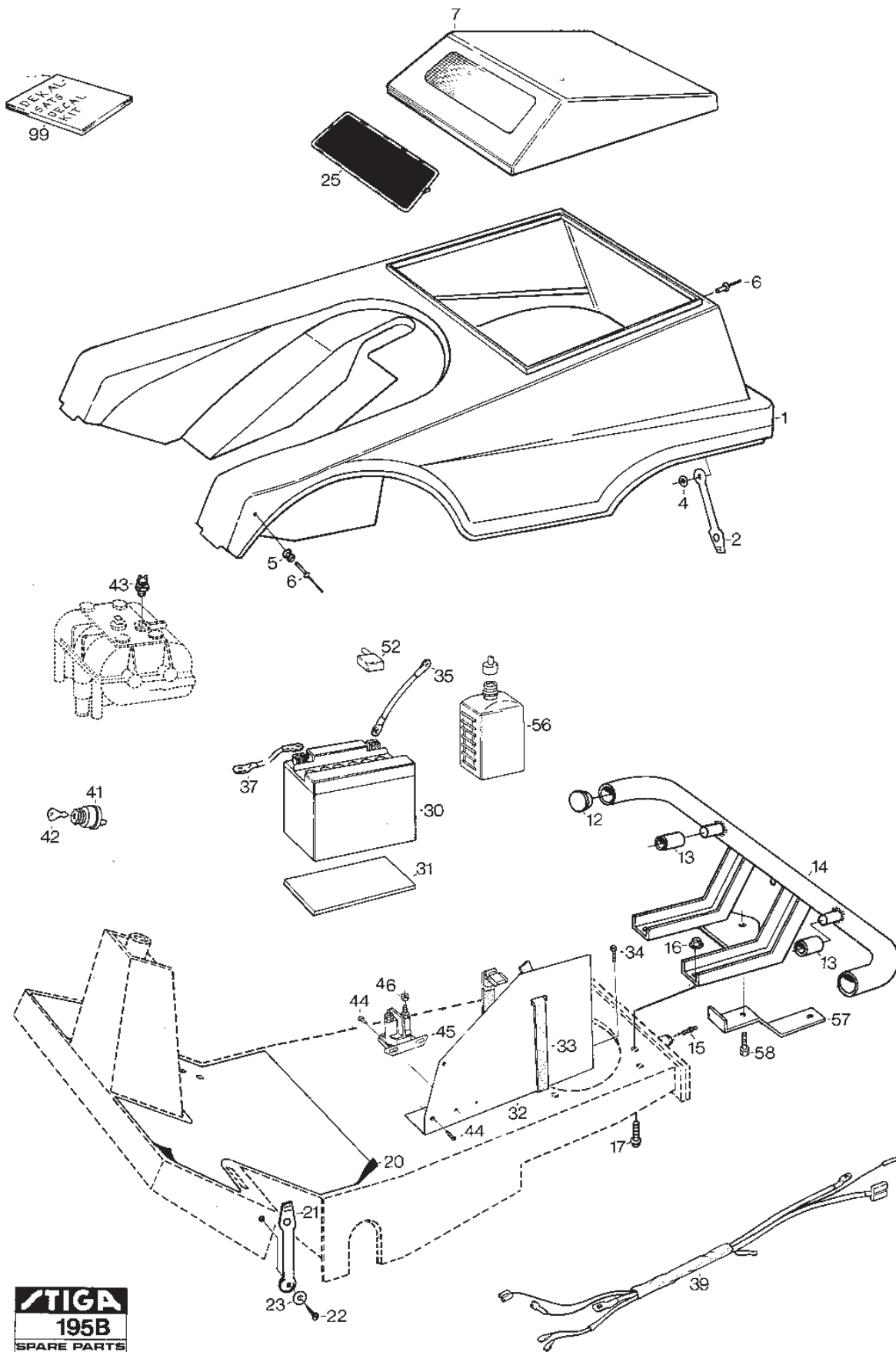
Utgåva Issue 36 - 2014		Förgasare Luftfilter	Carburettor Air Cleaner		
Pos. Fig.	Antal Q.ty	Art nr Part No	Benämning	Description	Anmärkning Notes
277	2	22776	Bricka	Washer	
169	2	90832	Bricka	Washer	
185	2	90970	Mutter	Nut	
601	2	93053	Slangklämma	Hose clamp	
334	2	93381	Skruv	Screw	
683	2	93572	Skruv	Screw	
482	2	93621	Skruv	Screw	
188	2	93634	Skruv	Screw	
184	2	93803	Skruv	Screw	
310	2	94003	Skruv	Screw	
95	2	94098	Skruv	Screw	
965	2	94108	Låsmutter	Nut	
896	1	94288	Stift	Roll pin	
284A	1	94326	Skruv	Screw	
224	1	94513	Skruv	Screw	
123	2	94616	Skruv	Screw	
258	1	94620	Skruv	Screw	
53	2	94637	Skruv	Screw	
955	1	94642	Skruv	Screw	
164	1	213819	Carburettor elbow	Carburettor elbow	
527	2	221428	Clamp	Clamp	
851	1	221798	Anslutning	Terminal	
182A	1	222112	Fäste	Bracket	
725	1	222175	Värmskydd	Heat shield	
182	1	222980	Tank bracket-R.H.	Tank bracket-R.H.	
130	1	224539	Gasspjäll	Throttle Valve	
646	1	224546	Brace	Brace	
108	1	224666	Choke valve	Choke valve	
104	1	231789	Axel	Shaft	
105	1	231790	Nålventil	Inlet needle valve	
147	1	231794	Nozzle	Nozzle	
216	1	262766	Choke link	Choke link	
618	1	262803	Fjäder	Spring	
52	1	270872	Packning	Gasket	
51	1	272465	Packning	Gasket	
535	1	272477	Luftfilterelement	Filter Element	
783	1	280104	Drev	Gear	
171	1	281051	Mutter	Nut	
872	1	281105	Cover	Cover	
537	1	281106	O-ring	O-ring	
138	1	281164	Bricka	Washer	
137	1	281165	Packning	Gasket	
987	1	281166	Seal	Seal	
634B	1	281167	Bricka	Washer	
634A	1	281168	Bricka	Washer	
106	1	281169	Valve seat	Valve seat	
187	1	299146	Fuel line	Fuel line	711 mm
180	1	390225	Fuel tank	Fuel tank	
183A	1	390405	Strap L.H.	Strap L.H.	



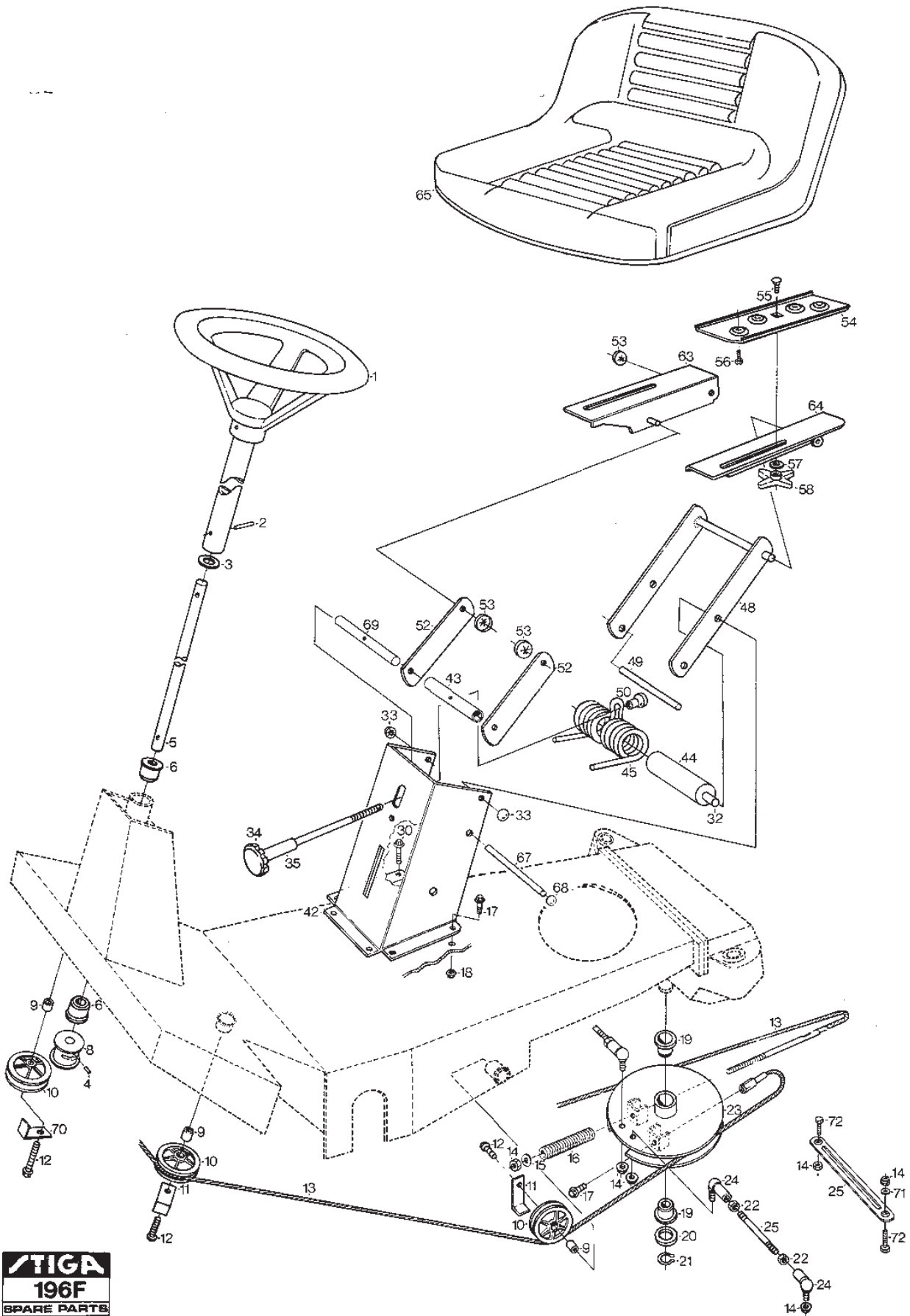
121 CARBURETOR OVERHAUL KIT



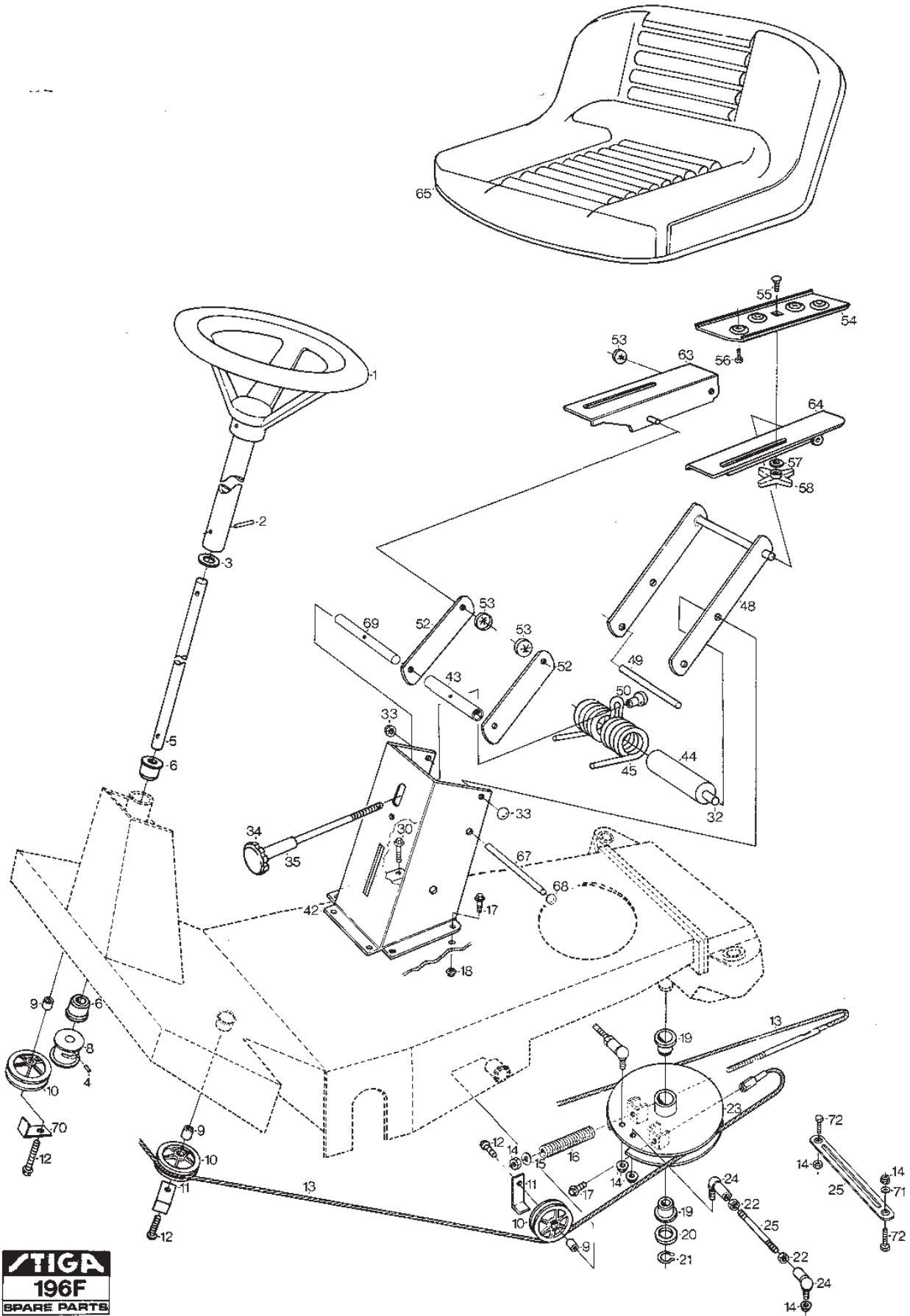
Utgåva Issue 36 - 2014		Förgasare Luftfilter	Carburettor Air Cleaner		
Pos. Fig.	Antal Q.ty	Art nr Part No	Benämning	Description	Anmärkning Notes
183	1	390406	Strap	Strap	
544	1	390837	Armature	Armature	
887	1	391529	Stator	Stator	
726	1	392134	Kuggkrans	Gear ring	
878	1	393422	Kabelhärva	Harness	
877	1	393814	Connector	Connector	
309	1	394805	Starter motor	Starter motor	
801	1	394856	Lock	Drive end cap	
802	1	395537	Botten	End cap	
311	4	395538	Släpkol	Brush	
513	1	398003	Koppling kpl	Clutch Ass.Y	
803	1	398159	Hus	Housing	
333	1	398811	Tändsystem kpl	Armature group	
510	1	490421	Drev kpl	Drive assy	
876	1	490467	Startdrev	Retainer kit	
467	1	493903	Låsratt	Knob	
445	1	493910	Cartridge	Cartridge	
958	1	493960	Fuel shut-off valve	Fuel shut-off valve	
181	1	493988	Fuel cap	Fuel cap	
975	1	494378	Bowl	Bowl	
131	1	494379	Axel	Shaft	
133	1	494381	Flottör	Float	
98	1	494382	Skruv	Screw	
118	1	494383	Nålventil	Needle valve	
611	1	494451	Nippel	Inlet tube	
875	1	494827	Body	Body	
142	1	494876	Nozzle	Nozzle	
141	1	494879	Axel	Shaft	
121	1	494882	Rep.sats	Overhaul kit	
125	1	494883	Förgasare kpl	Carburettor Assy	



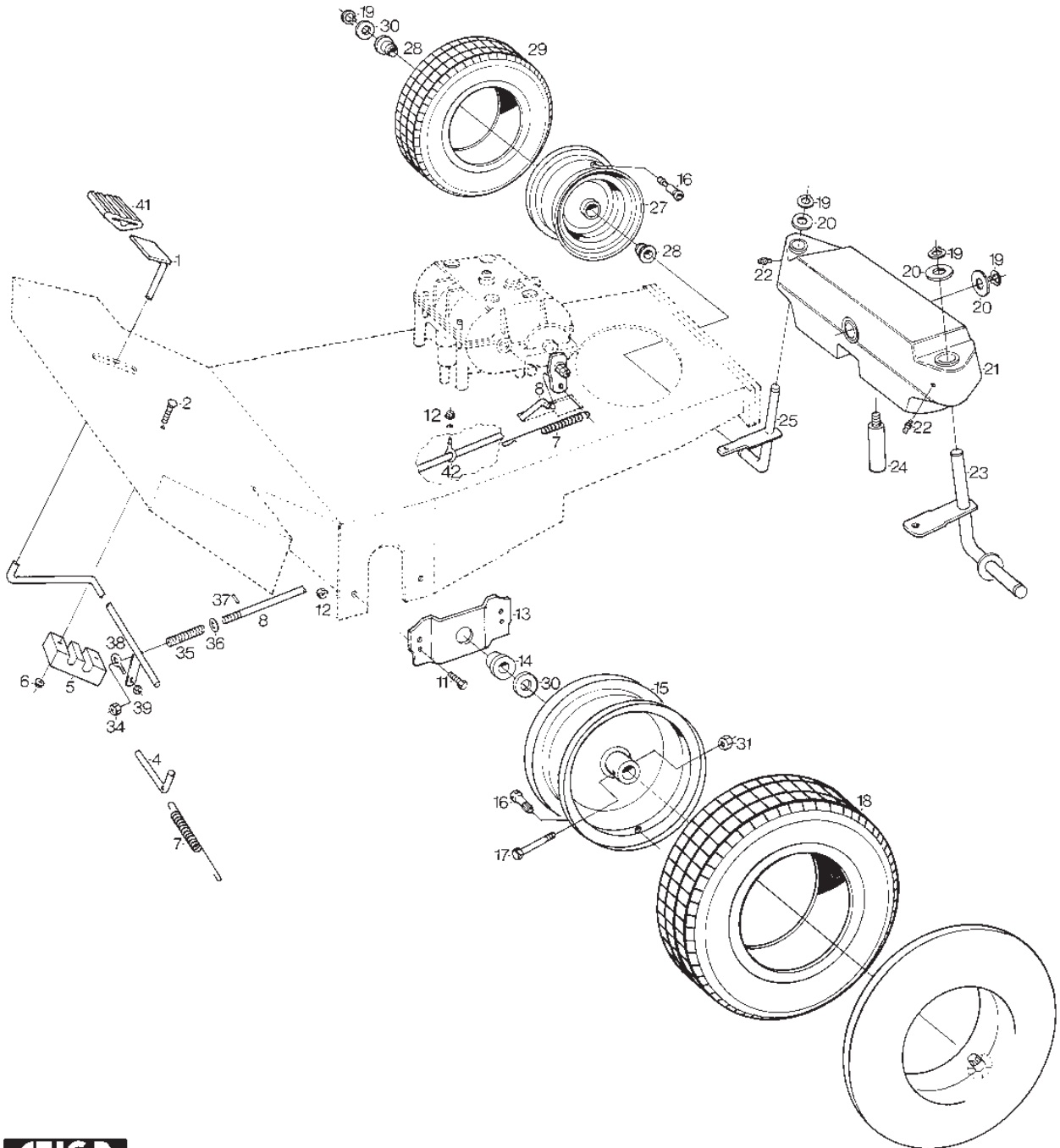
Utgåva Issue 36 - 2014		Chassi Elsystem Chassis Electrical System			
Pos. Fig.	Antal Q.ty	Art nr Part No	Benämning	Description	Anmärkning Notes
35	1	1131-1455-00	Batterikabel (-)	Battery Cable (-)	
37	1	1134-0234-01	Batterikabel (+)	Battery Cable (+)	
14	1	1134-1595-02	Stötfångare Kpl	Tube	
13	2	1134-1643-01	Gummislang	Rubberhose	
41	1	1134-1814-01	Tändningslås Kpl Service	Starter Switch Assy.	
32	1	1134-1922-01	Batteriplatta	Battery Plate	
1	1	1134-1963-07	Motorhuv kpl	Engine casing assy	
99	1	1134-2159-01	Bearing	Bearing	
25	1	1134-2267-01	Gallerinsats Villa	Guarding Net	
52	1	1134-2310-01	Batteriskydd	Guard Cap (+)	
31	1	1134-2333-01	Batteriunderlägg	Battery Pad	
57	1	1134-2352-01	Tow Bar	Tow Bar	
57	1	1134-2352-02	Tow Bar	Tow Bar	
57	1	1134-2352-02	Tow Bar	Tow Bar	
42	1	1134-2848-01	Tändningsnyckel	Ignition Key	
7	1	1134-2855-02	Motorlucka5-01	Engine Cover (Black)	
7	1	1134-2855-02	Motorlucka5-01	Engine Cover (Black)	
39	1	1134-2956-01	Kabelhärva	Harness	
45	1	1134-2962-01	Solenoid Kpl Service	Solenoid	
39	1	1134-2995-01	Kabelhärva	Cable Harness	
20	1	1134-3536-01	Durkmatta Villa	Floor Mat	
99	1	1134-3557-01	Dekalsats	Label Kit	
99	1	1134-3557-01	Dekalsats	Label Kit	
2	1	1134-9028-01	Gummistropp (3 St)	Rubber Strap (3 Pcs)	
21	1	1134-9028-01	Gummistropp (3 St)	Rubber Strap (3 Pcs)	
21	2	1134-9028-01	Gummistropp (3 St)	Rubber Strap (3 Pcs)	
56	2	1134-3300-01	Batterisyra	Battery Acid	2 x 0.85 liter
33	1	9400-0064-02	Batterihållare	Battery Holder	
30	1	9400-0086-00	Batteri	Battery	
43	1	9400-0105-01	Brytare	Switch	
12	2	9403-0015-70	Plugg	Plug	
5	3	9405-0029-00	Knopp	Knob	
15	1	9501-0500-00	Smörjkopp Kort Rak	Grease Dispenser	
6	3	9632-0516-00	Popnit Tap/D/Bs 416 Gf9.5	Pop Rivet	
23	2	9699-0087-02	Bricka	Washer	
16	2	9739-0831-22	Mutter	Nut	
46	2	9794-5131-02	Mutter	Nut	
44	4	9849-8009-16	Skruv	Screw	
22	2	9849-8013-16	Skruv	Screw	
34	1	9942-0612-16	Skruv	Screw	
17	2	9959-0816-16	Skruv	Screw	
58	1	9959-0820-16	Skruv	Screw	



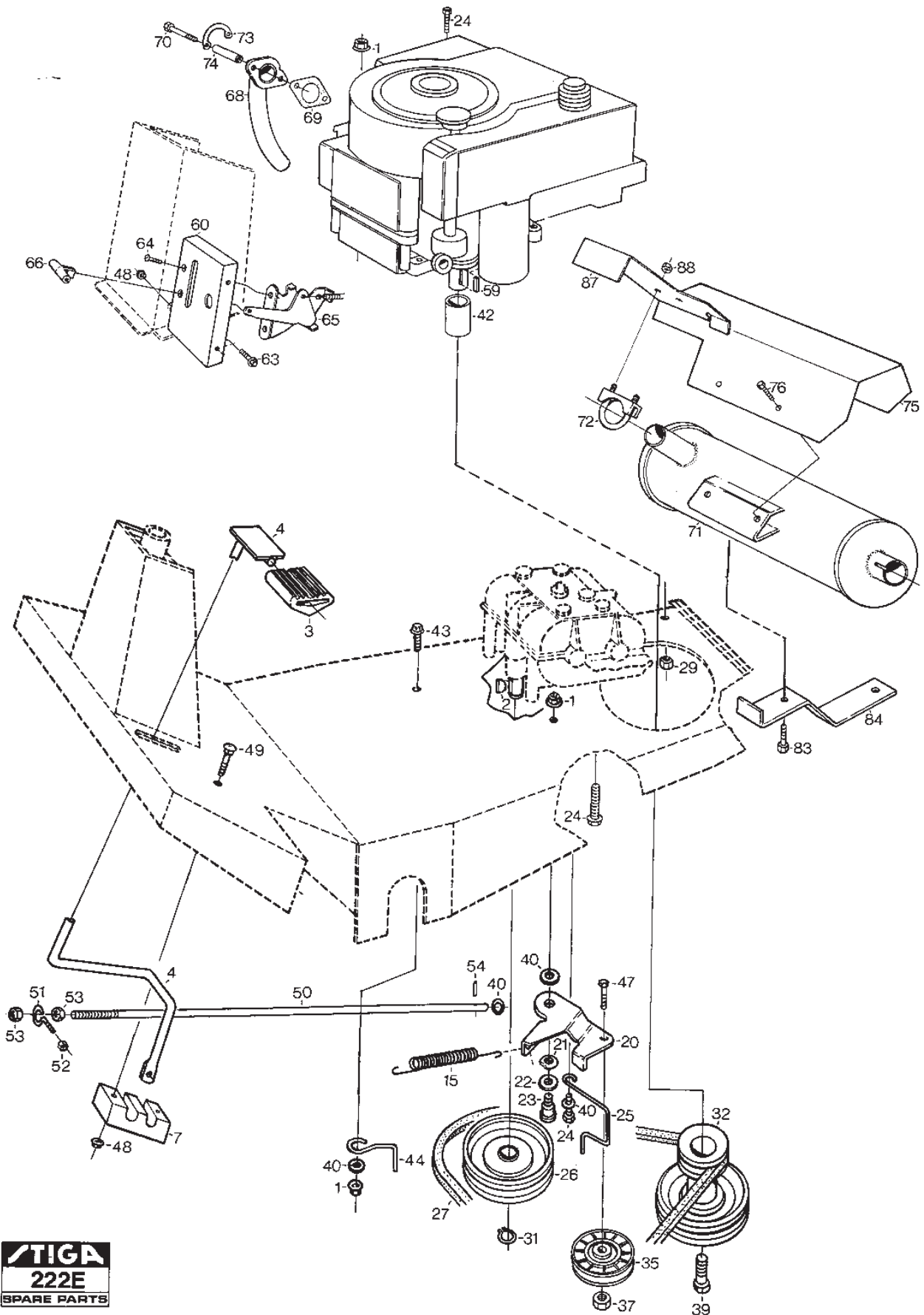
Utgåva Issue 36 - 2014		Styrning Sits Steering Seat			
Pos. Fig.	Antal Q.ty	Art nr Part No	Benämning	Description	Anmärkning Notes
33	2	9672-0004-02	Starlock	Starlock	
68	2	9672-0006-02	Starlock	Lock washer	
45	1	1134-0015-00	Sitsfjäder	Seat spring	
32	1	1134-0022-00	Reglagestång	Control Rod	
9	4	1134-0041-01	Bussning	Bushing	
49	1	1134-0050-00	Sitsstång	Seat Rod	
20	1	1134-0341-01	Bricka	Washer	
50	1	1134-0493-00	Mutter	Nut	
65	1	1134-0800-06	Sits Sears Sa 1216 (9407-0003-01)	Seat Sears Sa 1216 (9407-0003-01) 20	
16	1	1134-1310-01	Fjäder	Spring	
5	1	1134-1424-01	Rattstång	Steering Rod	
25	2	1134-1427-01	Parallellstag	Tie Rod	- 920201
23	1	1134-1500-01	Linhjul	Steering Pulley	- 920201
23	1	1134-1500-02	Linhjul	Steering Pulley	920202 -
52	2	1134-1650-01	Parallellstag5-01 F24	Tie Bar	
48	1	1134-1652-01	Fjäder	Spring	
58	2	1134-1711-01	Knopp	Knob	
44	1	1134-1883-01	Axel	Axle	
6	2	1134-1901-01	Lager	Bearing	
8	1	1134-1933-01	Linhjul	Steering Pulley	
1	1	1134-1967-01	Ratt	Steering Wheel	
34	1	1134-2163-01	Spännstång Kpl.	Rod	
35	1	1134-2166-01	Distans	Spacer	
67	1	1134-2454-01	Axel	Shaft	
65	1	1134-2541-01	Sits Suburban Sa 10314	Seat	Tyskland (DE)-Villa11
43	1	1134-2846-01	Rör	Tube	
69	1	1134-2847-01	Mellanstag	Shaft	
54	2	1134-2961-01	Sitsadapter 5-01 24	Seat Adapter	
11	3	1134-3022-01	Fäste	Bracket	
70	1	1134-3022-01	Fäste	Bracket	
25	1	1134-3247-02	Parallellstag	Tie Rod	920202 -
42	1	1134-3252-02	Sitskonsol-gul	Seat Bracket-Yellow	
63	1	1134-3618-01	Sitsfäste Kpl. 5-01 14	Seat Attachment-R.H.	
64	1	1134-3618-02	Sitsfäste Kpl. 5-01 14	Seat Attachment-L.H.	
13	1	1134-9023-01	Styrwire	Steering Wire	
19	1	1134-9024-01	Lager (4 St)	Bearing	
10	2	1134-9025-01	Linhjul	Steering Pulley	
24	4	9570-0002-00	Vinkellänk As13 Din 71802M8	Elbow Link	- 920201
2	1	9595-0262-00	Spännstift	Locating Pin	
4	1	9595-0262-00	Spännstift	Locating Pin	
21	1	9650-0020-04	Spårring Sga 20	Circlip	
53	4	9675-0017-02	Låsbricka	Starlock	
71	2	9699-0028-02	Bricka	Washer	920202 -
57	2	9699-0062-02	Bricka	Washer	
15	1	9699-0090-02	Bricka	Washer	
3	1	9699-0103-02	Bricka	Washer	0.5 mm
3	1	9699-0114-02	Bricka	Washer	1.0 mm
18	4	9739-0831-22	Mutter	Nut	



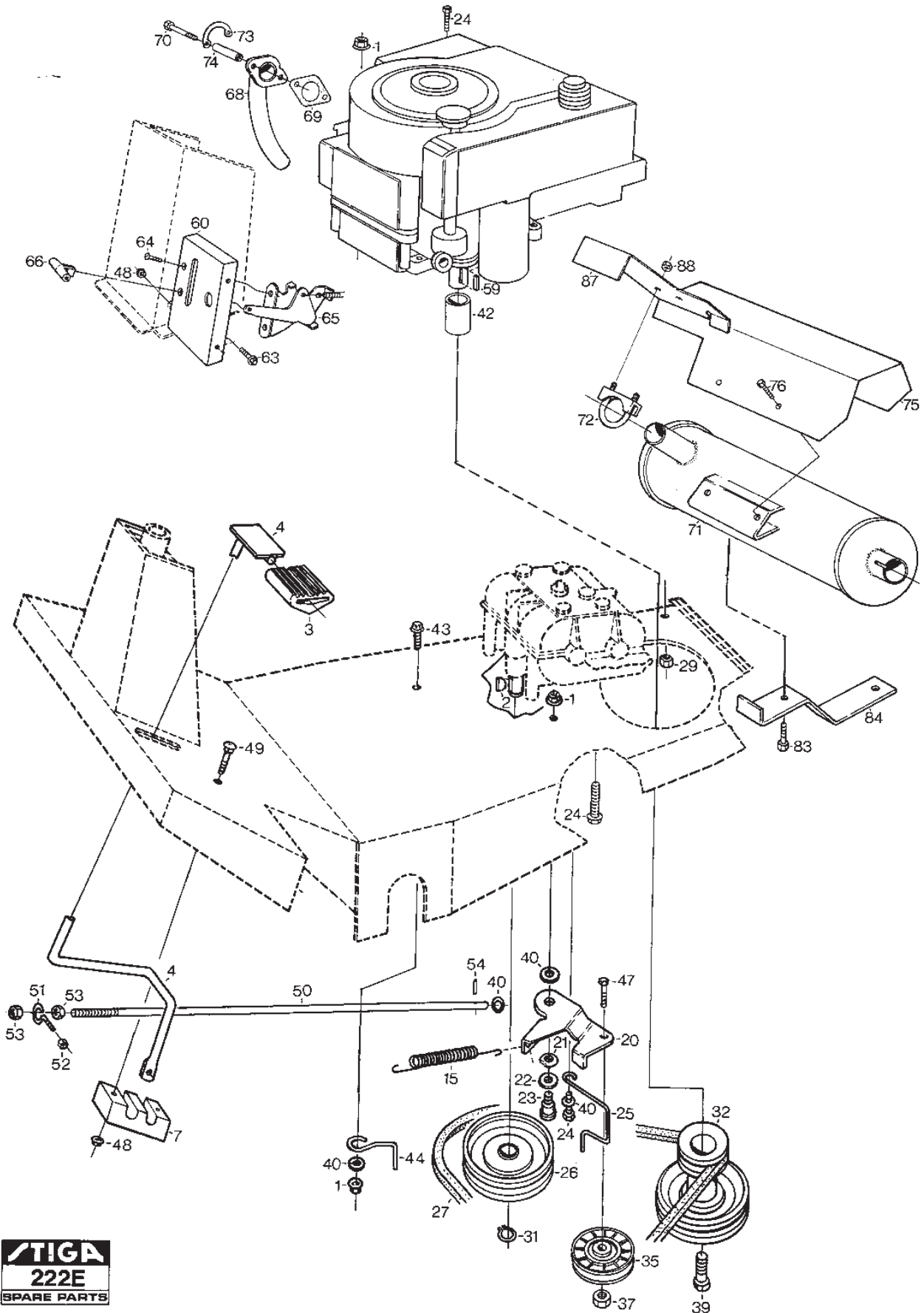
Utgåva Issue 36 - 2014		Styrning Sits Steering Seat			
Pos. Fig.	Antal Q.ty	Art nr Part No	Benämning	Description	Anmärkning Notes
14	5	9747-0831-02	Mutter Låsmutter	Nut	
22	4	9799-0831-02	Mutter	Nut	
55	2	9898-0820-16	Skruv	Screw	
12	4	9942-1030-16	Skruv	Screw	
17	5	9959-0816-16	Skruv	Screw	
30	1	9959-0825-16	Skruv	Screw	
56	4	9988-3616-16	Skruv	Screw	
72	4	9997-0825-16	Skruv	Screw	920202 -



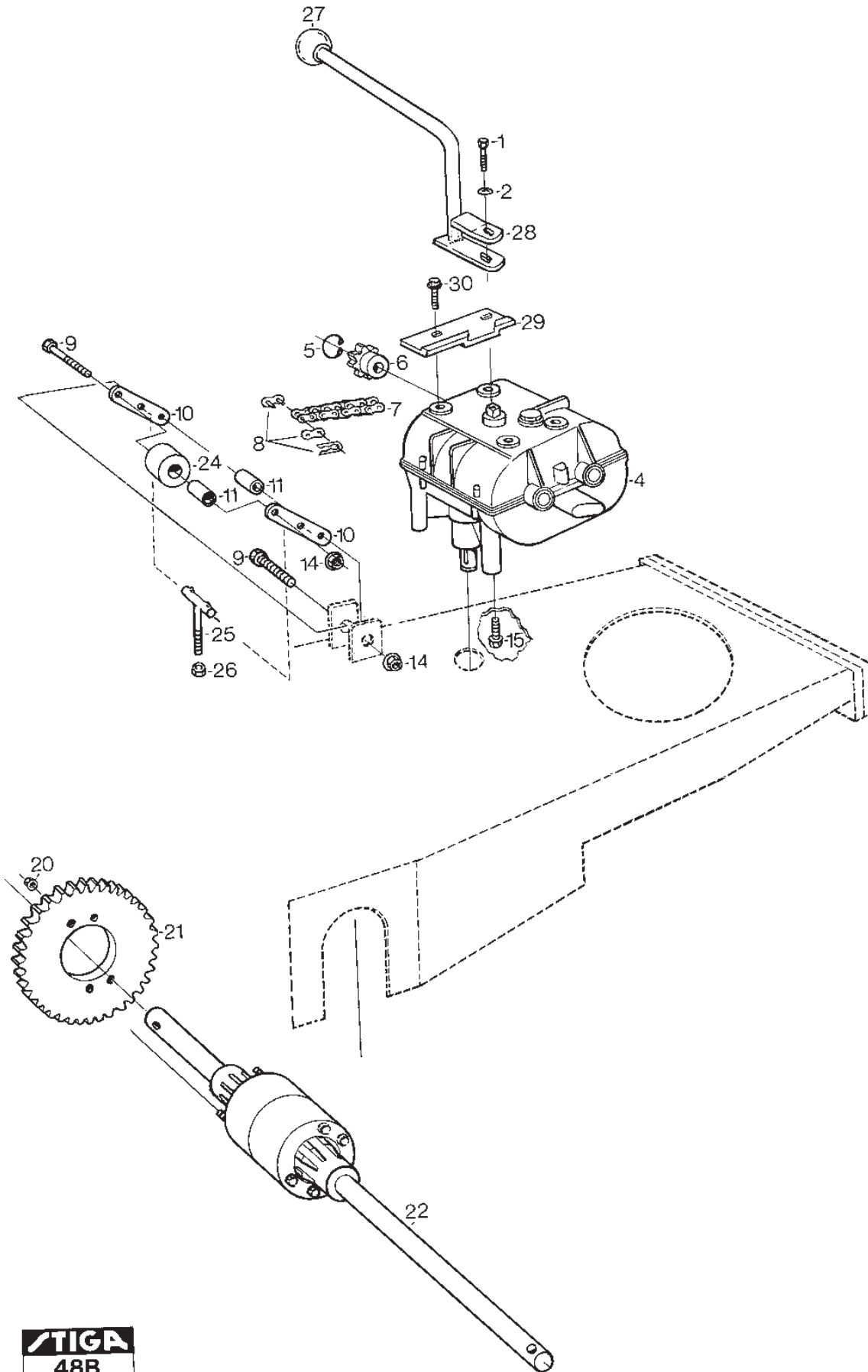
Utgåva Issue 36 - 2014		Hjulupphängning Bromssystem		Wheel Suspension Brake System	
Pos. Fig.	Antal Q.ty	Art nr Part No	Benämning	Description	Anmärkning Notes
41	1	1134-0269-00	Pedalgummi	Pedal Rubber	
30	4	1134-0341-01	Bricka	Washer	
35	1	1134-1023-00	Fjäder	Brake Spring	
17	2	1134-1348-01	Skruv	Screw	
23	1	1134-1428-01	Spindel-vä	Spindle Lh	
25	1	1134-1428-02	Spindel-hö	Spindle Rh	
24	1	1134-1583-01	Axel	Shaft For Steering Pulley	
21	1	1134-1634-01	Bakaxel	Rear axle	
14	2	1134-1875-01	Bussning	Bushing	
13	2	1134-1876-01	Bakaxelfäste 5-01 24	Rear Axle Mounting	
38	1	1134-1889-01	Skruvögla	Eye Bolt	
5	1	1134-1927-01	Lager 5-01	Bearing	
4	1	1134-1934-01	Distans	Spacer	
4	1	1134-1937-01	Reglagespak	Control Lever	
1	1	1134-1979-01	Pedal Kpl 5-01	Brake Pedal	
8	1	1134-1980-01	Bromsstång	Brake Rod	
42	1	1134-2138-01	Skruvögla	Eye Bolt	
27	2	1134-2669-01	Fälg kpl	Rim assy	
15	2	1134-3176-01	Fälg	Rim	
28	1	1134-9026-01	Bussning	Bearing	
7	2	4231-0013-00	Fjäder	Spring	
22	2	9501-0500-00	Smörjkopp Kort Rak	Grease Dispenser	
18	2	9545-0116-00	Däck	Tyre	16 x 7.50-8
18	2	9545-0116-00	Däck	Tyre	16 x 7.50-8
18	2	9545-0116-00	Däck	Tyre	16 x 7.50-8
29	2	9545-0117-00	Däck	Tyre	13 x 5.00-6
18	2	9545-0120-00	Däck	Tyre	16 x 7.50-8
18	2	9545-0120-00	Däck	Tyre	16 x 7.50-8
18	2	9545-0120-00	Däck	Tyre	16 x 7.50-8
18	1	9545-0203-00	Innerslang	Inner Tube	
18A	1	9545-0203-00	Innerslang	Inner Tube	Reservdel/spare part
29	1	9545-0204-00	Innerslang	Inner Tube	
29A	1	9545-0204-00	Innerslang	Inner Tube	Reservdel/spare part
16	4	9545-0500-00	Ventil	Valve Assy.	
37	1	9595-0160-00	Spiralspnst Prym N3X16	Locating Pin	
19	5	9650-0020-04	Spårring Sga 20	Circlip	
20	3	9699-0088-02	Bricka	Washer	
36	1	9699-0090-02	Bricka	Washer	
6	2	9739-0631-22	Strålkastare Mutter	Working lamp Nut	
12	5	9739-0831-22	Mutter	Nut	
31	2	9743-3721-32	Mutter	Nut	
39	1	9747-0631-02	Mutter Låsmutter	Nut	
34	1	9747-0831-02	Mutter Låsmutter	Nut	
2	2	9898-0635-12	Skruv	Screw	
11	4	9959-0820-16	Skruv	Screw	



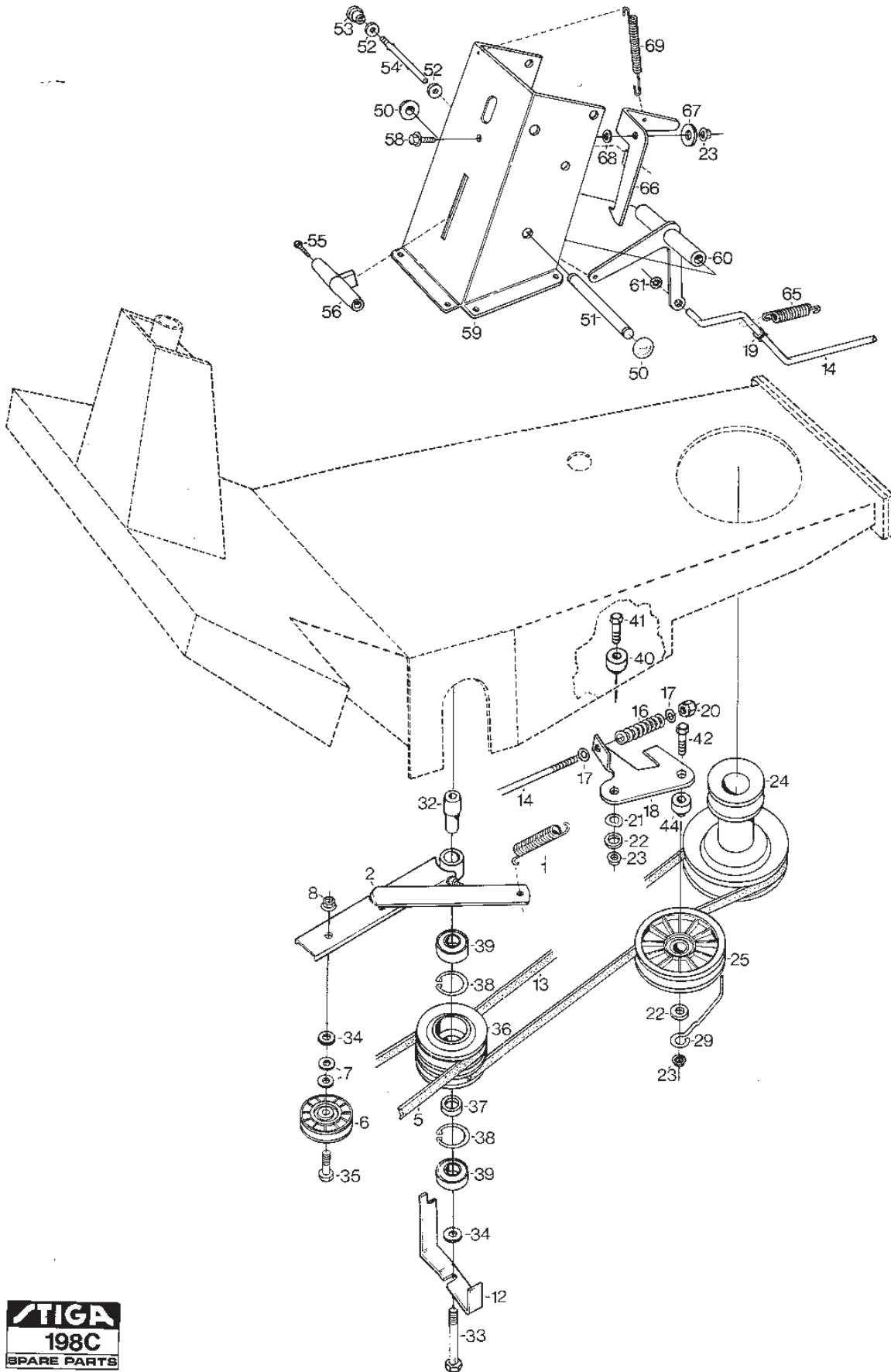
Utgåva Issue 36 - 2014		Transmission Motor		Transmission Engine	
Pos. Fig.	Antal Q.ty	Art nr Part No	Benämning	Description	Anmärkning Notes
25	1	1134-0139-01	Remskydd	Belt Guard	
23	1	1134-0240-00	Skruv	Screw	
3	1	1134-0269-00	Pedalgummi	Pedal Rubber	
69	1	1134-0433-00	Packning	Gasket	
42	1	1134-1364-02	Distansring	Spacer Ring	
74	2	1134-1565-01	Distans	Spacer	
60	1	1134-1594-01	Instrumentpanel(5-01 F12)	Panel	
20	1	1134-1631-02	Spännarm 5-01 15	Tension Arm	
32	1	1134-1633-01	Motorremskiva	Engine Belt Pulley	
32	1	1134-1633-01	Motorremskiva	Engine Belt Pulley	
44	1	1134-1795-01	Remhållare	Belt Stirrup	
26	1	1134-1849-01	Remskiva	Belt Pulley	
51	1	1134-1889-01	Skruvögla	Eye Bolt	
7	1	1134-1927-01	Lager 5-01	Bearing	
50	1	1134-1931-01	Kopplingsstång	Clutch Control Rod	
15	1	1134-1949-01	Fjäder	Spring	
65	1	1134-1975-01	Gasreglage	Throttle Cable	
4	1	1134-2123-02	Kopplingspedal Kpl	Clutch Pedal	
68	1	1134-2350-01	Avgasrör Kpl.	Exhaust Pipe	
84	1	1134-2352-02	Tow Bar	Tow Bar	
75	1	1134-2354-01	Värmeskydd (5-01 F12)	Heat Guard	
87	1	1134-2394-01	Värmeskydd	Heat Guard	
73	1	1134-2462-01	Låsbleck	Lock	
71	1	1134-3245-02	Ljuddämpare	Muffler	
27	1	1134-9008-01	Kilrem	V-Belt	=9585-0050-00
35	1	1134-9027-01	Spännrulle (Svart)	Tension Roller (Black)	
66	1	9403-0035-10	Knopp	Knob	
72	1	9578-0011-00	Klämma F Ljuddämp D35 Rid	Clamp	
54	1	9595-0160-00	Spiralspnst Prym N3X16	Locating Pin	
2	1	9600-0050-00	Kil	Key	
59	1	9600-0250-00	Kil	Key	
31	1	9650-0016-04	Spårring Sga 16	Circlip	
21	1	9696-0013-01	Bricka	Washer	
22	1	9699-0037-02	Bricka	Washer	
40	4	9699-0090-02	Bricka	Washer	
48	4	9739-0631-22	Strålkastare Mutter	Working lamp Nut	
88	2	9739-0831-22	Mutter	Nut	
1	4	9739-0831-22	Mutter	Nut	
37	1	9739-1031-22	Mutter	Nut	
52	1	9747-0631-02	Mutter Låsmutter	Nut	
29	1	9747-0831-02	Mutter Låsmutter	Nut	
53	2	9799-0831-02	Mutter	Nut	
64	2	9849-8009-16	Skruv	Screw	
49	2	9898-0635-12	Skruv	Screw	
63	2	9959-0612-16	Skruv	Screw	
83	1	9959-0820-16	Skruv	Screw	
43	1	9959-0825-16	Skruv	Screw	
39	1	9987-5338-12	Skruv	Screw	
70	2	9988-3651-12	Skruv	Screw	



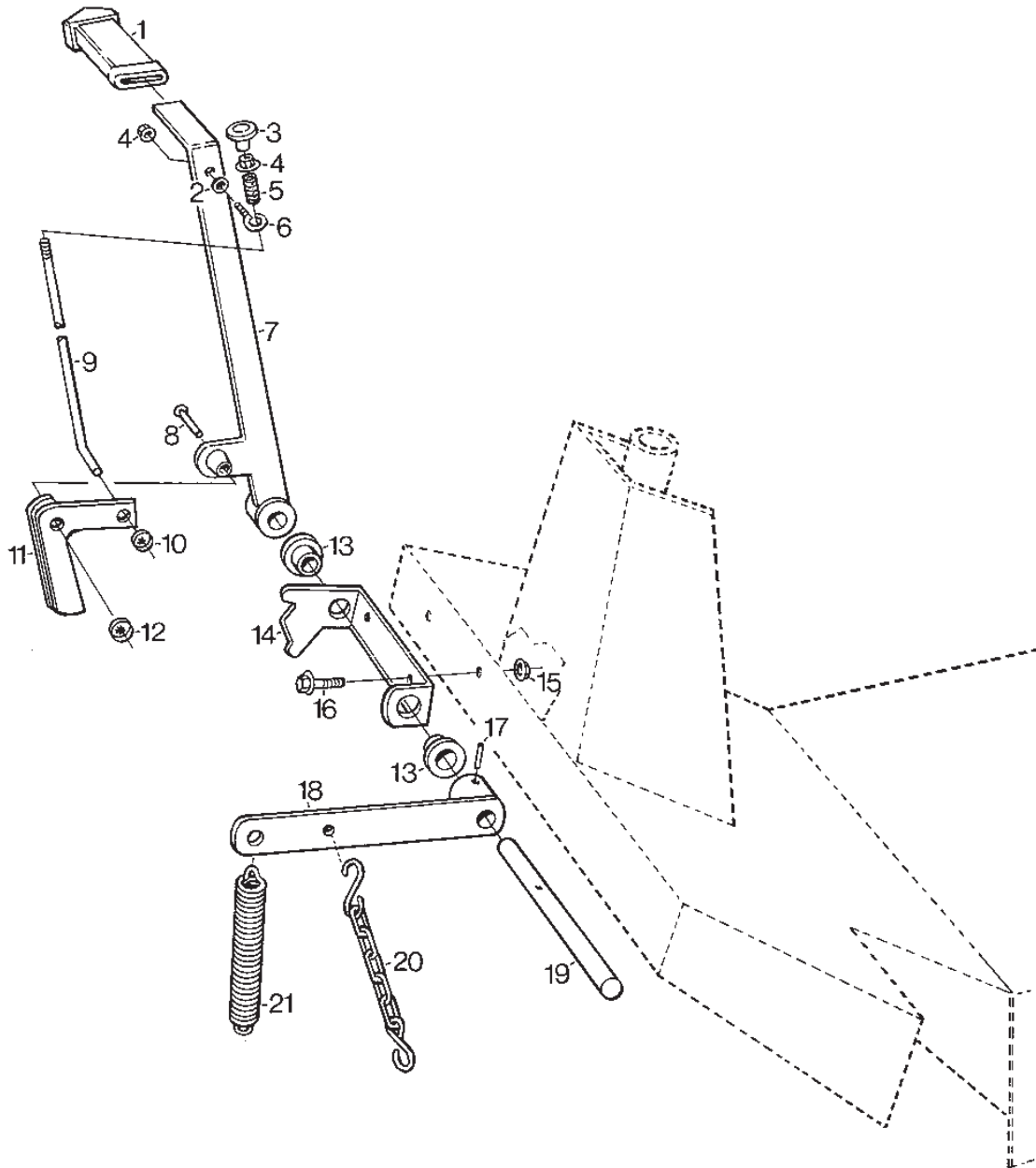
Utgåva Issue 36 - 2014		Transmission Motor		Transmission Engine	
Pos. Fig.	Antal Q.ty	Art nr Part No	Benämning	Description	Anmärkning Notes
76	2	9997-0612-16	Skruv	Screw	
24	5	9997-0840-16	Skruv	Screw	
47	1	9997-1030-16	Skruv	Screw	
32	1	9997-1450-16	Skruv	Screw	Tillbehör/accessory
32	1	9997-1450-16	Skruv	Screw	Tillbehör/Accessory
32	1	9997-1450-16	Skruv	Screw	Tillbehör/Accessory



Utgåva Issue 36 - 2014		Transmission		Transmission	
Pos. Fig.	Antal Q.ty	Art nr Part No	Benämning	Description	Anmärkning Notes
6	1	786114	Sprocket	Sprocket	
6	1	786114	Sprocket	Sprocket	
5	1	792072	Circlip	Circlip	
5	1	792072	Circlip	Circlip	
7	1	9589-0008-02	Chain w. chain lock	Chain w. chain lock	
10	2	1134-1561-01	Hävarm	Lever	
11	2	1134-1565-01	Distans	Spacer	
21	1	1134-1691-02	Kedjehjul	Sprocket	
22	1	1134-1694-04	Differentiell	Differential	Peerless 100-019B
29	1	1134-1916-01	Spärrplatta 5-01	Stop Plate	
27	1	1134-1925-02	Växelspak Smst5-01	Gear Shifter	
24	1	1134-1936-01	Spännrulle	Tensioning Roller	
25	1	1134-1942-01	Skruv	Screw	
28	1	1134-1981-01	Böjstopp	Shift Lock	
4	1	9500-9949-00	Växellåda 781B	Gear Box 781B	19 Peerless 781A
8	1	9589-0504-00	Kedjelås	Chain Fastener	
2	1	9699-0060-02	Bricka	Washer	
14	2	9739-0831-22	Mutter	Nut	
20	4	9743-3621-32	Mutter	Nut	
26	1	9747-0831-02	Mutter Låsmutter	Nut	
20	4	9795-3631-02	Mutter	Nut	
20	4	9795-3631-02	Mutter	Nut	
30	2	9942-0816-16	Skruv	Screw	
1	1	9987-5016-16	Skruv	Screw	
15	4	9988-3619-16	Skruv	Screw	
9	2	9997-0855-12	Skruv	Screw	
6	1	P000-7861-14	Sprocket	Sprocket	
6	1	P000-7861-14	Sprocket	Sprocket	
5	1	P000-7920-72	Retaining ring	Retaining ring	
5	1	P000-7920-72	Retaining ring	Retaining ring	



Utgåva Issue 36 - 2014		Power Take Off			
Pos. Fig.	Antal Q.ty	Art nr Part No	Benämning	Description	Anmärkning Notes
24	1	1134-1633-01	Motorremskiva	Engine Belt Pulley	
24	1	9997-1450-16	Skruv	Screw	Tillbehör/Accessory



Utgåva Issue 36 - 2014		Redskapslyft Lifting Device			
Pos. Fig.	Antal Q.ty	Art nr Part No	Benämning	Description	Anmärkning Notes
10	1	9675-0008-02	Starlockbricka	Starlock	
12	1	9675-0012-02	Starlock	Locking washer	
5	1	1111-0053-00	Fjäder	Spring	
14	1	1134-0536-00	Lyftsegment	Locking Plate	
3	1	1134-0583-00	Knopp	Knob	
9	1	1134-0858-00	Tryckstång	Push Rod	
7	1	1134-0859-03	Svärd	Bar	
0	1	1134-1437-02	röds kapslyft Smst Villa	Accessory Ricing Device	
21	1	1134-1578-01	Fjäder	Spring	
18	1	1134-1604-01	Lyftarm Kpl	Trippet	
20	1	1134-1605-01	Kedja	Chain	
19	1	1134-1884-01	Lyftaxel	Lifting Shaft	
6	1	1134-1889-01	Skruvögla	Eye Bolt	
13	2	1134-2684-01	Lager	Bearing	
11	1	1134-2911-01	Låshake	Locking Pawl	
1	1	9403-0110-01	Höjdinst.Handtag Ej Kapad	Handle	
17	2	9595-0258-00	Spännstift	Locating Pin	
8	1	9646-0099-22	Nit Kn 8X30	Rivet	
2	1	9699-0025-02	Bricka	Washer	
4	2	9739-0631-22	Strålkastare Mutter	Working lamp Nut	
15	2	9739-1031-22	Mutter	Nut	
16	2	9959-1020-16	Skruv	Screw	

code	pos.	q.ty	page				
398159	803	1	p. 17	P000-7860-26	26	2	p. 5
398811	333	1	p. 17	P000-7860-40	6	1	p. 3
399265	2	1	p. 11	P000-7860-81	28	1	p. 5
490348	29	1	p. 11	P000-7860-82	11	1	p. 5
490421	510	1	p. 17	P000-7860-83	10	1	p. 5
490467	876	1	p. 17	P000-7860-86	46	1	p. 5
490666	19	1	p. 11	P000-7861-14	6	1	p. 31
490815	219	1	p. 11	P000-7861-14	6	1	p. 31
491323	634	1	p. 11	P000-7861-14	20	1	p. 5
491647	16	1	p. 11	P000-7861-15	20	1	p. 5
493896	222	1	p. 11	P000-7880-40	34	1	p. 5
493903	467	1	p. 17	P000-7900-03	21	1	p. 5
493910	445	1	p. 17	P000-7900-06	24	2	p. 5
493935	227	1	p. 11	P000-7900-07	25	1	p. 5
493960	958	1	p. 17	P000-7900-25	23	1	p. 5
493988	181	1	p. 17	P000-7900-33	22	1	p. 5
494087	304	1	p. 11	P000-7900-37	22	1	p. 5
494328	356	1	p. 11	P000-7920-01	44	1	p. 5
494378	975	1	p. 17	P000-7920-35	32	1	p. 5
494379	131	1	p. 17	P000-7920-41	11	4	p. 3
494381	133	1	p. 17	P000-7920-72	5	1	p. 31
494382	98	1	p. 17	P000-7920-72	5	1	p. 31
494383	118	1	p. 17	P000-7920-72	31	1	p. 5
494451	611	1	p. 17	P000-7920-73	36	6	p. 5
494827	875	1	p. 17	P000-7920-73	36	8	p. 5
494876	142	1	p. 17	P000-7920-74	47	1	p. 5
494879	141	1	p. 17	P000-7920-75	38	1	p. 5
494882	121	1	p. 17	P000-7920-76	39	1	p. 5
494883	125	1	p. 17	P000-7920-77	40	1	p. 5
786114	6	1	p. 31	P000-7920-78	41	1	p. 5
786114	6	1	p. 31	P000-7920-79	42	1	p. 5
792072	5	1	p. 31	P000-7920-83	45	1	p. 5
792072	5	1	p. 31	P000-7921-25	10	4	p. 3
P000-7700-61	1	1	p. 5	P007-7006-1A	1	1	p. 5
P000-7720-83	2	1	p. 5	P007-7208-3A	2	1	p. 5
P000-7743-44	1	1	p. 3	P007-7479-0A	2	1	p. 3
P000-7743-45	1A	1	p. 3	P007-7479-1A	3	1	p. 3
P000-7744-84	1	1	p. 3	P007-7811-3A	19	1	p. 5
P000-7744-85	1A	1	p. 3	P007-7812-1A	4	1	p. 5
P000-7747-40	2	1	p. 3	P007-7812-2A	5	1	p. 5
P000-7747-40	2	1	p. 3	P007-7812-3A	6	1	p. 5
P000-7747-41	3	1	p. 3	P007-7812-4A	7	1	p. 5
P000-7747-41	3	1	p. 3	P007-7812-6A	14	1	p. 7
P000-7747-59	2	1	p. 3	P007-7812-7A	15	1	p. 7
P000-7747-60	3	1	p. 3	P007-7812-8A	16	1	p. 7
P000-7747-90	2	1	p. 3	P007-7812-9A	17	1	p. 7
P000-7747-91	3	1	p. 3	P007-8010-5A	27	4	p. 7
P000-7761-34	12	1	p. 5	P007-8806-7B	90	1	p. 3
P000-7761-35	18	1	p. 5	P007-8806-7B	90	1	p. 7
P000-7761-61	3	1	p. 5	P007-9208-9A	37	2	p. 7
P000-7762-17	3	1	p. 5				
P000-7780-68	5	2	p. 3				
P000-7781-09	13	1	p. 5				
P000-7781-25	8	1	p. 5				
P000-7782-21	4	2	p. 3				
P000-7800-01	8	2	p. 3				
P000-7800-72	29	5	p. 5				
P000-7800-77	13	1	p. 3				
P000-7800-77	13	2	p. 3				
P000-7800-86	30	2	p. 5				
P000-7800-96	7	2	p. 3				
P000-7801-08	43	5	p. 5				
P000-7801-09	33	1	p. 5				
P000-7801-24	13A	1	p. 3				
P000-7842-66	9	1	p. 5				
P000-7842-67	35	1	p. 5				