

# STIGA

## *Reservdelskatalog Parts Catalogue*

### *VILLA 85B (ANSI)*

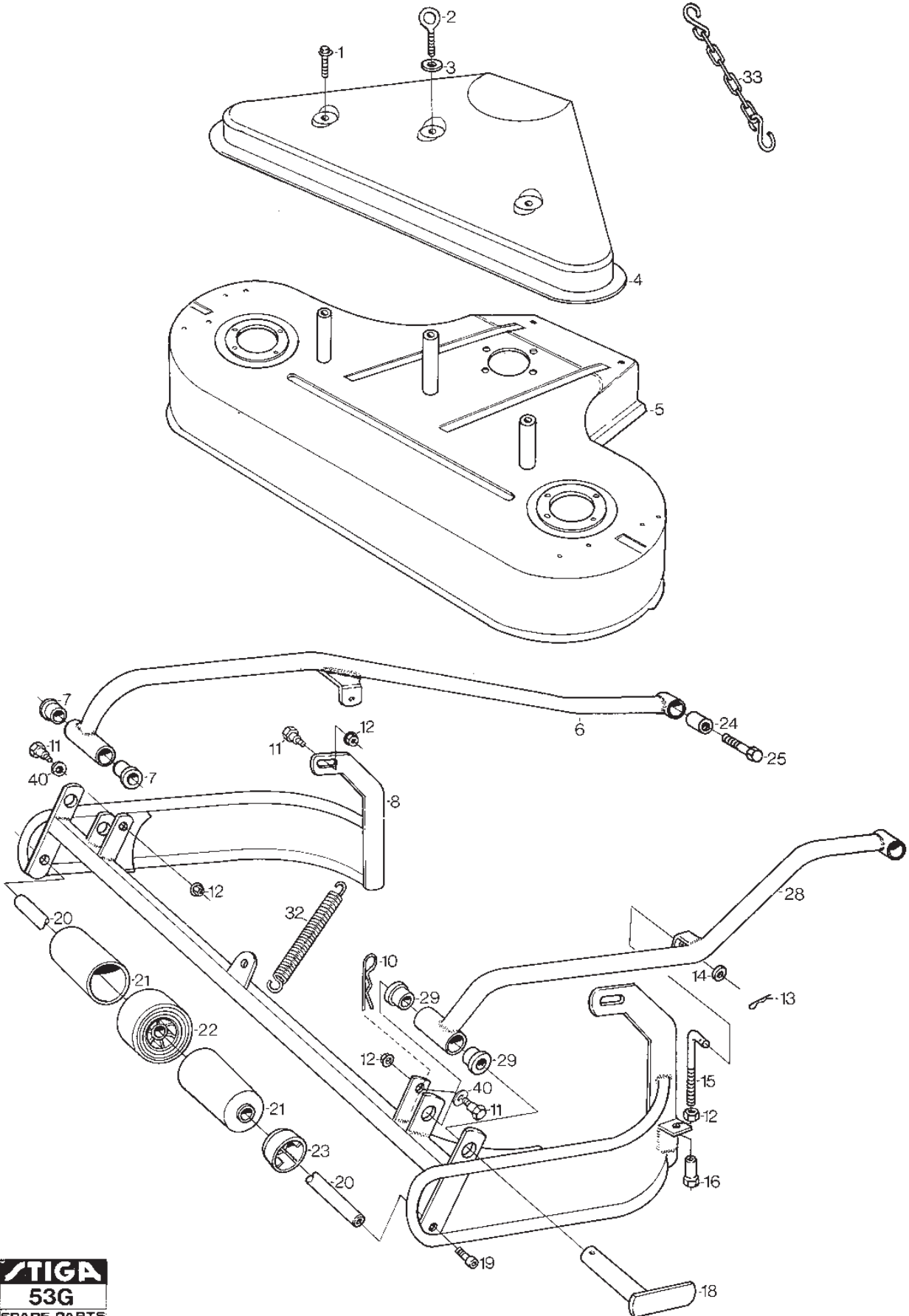
***13-2912-15 - Season 1994***

- Use GLOBAL GARDEN PRODUCT Genuine Spare Parts specified in the parts list for repair and/or replacement.
  - The contents described in the parts list may change due to improvement.
  - The drawings of the spare parts are only indicative and might not represent the part in question exactly.
  - The indications "right" - "left" - "front" - "rear" refer to the position of the operator when using the machine.
- When placing orders of parts for repair and/or replacement, make sure that the illustrated parts list is the one applying to the machine's year of manufacture, as shown on the identification plate attached to the machine.

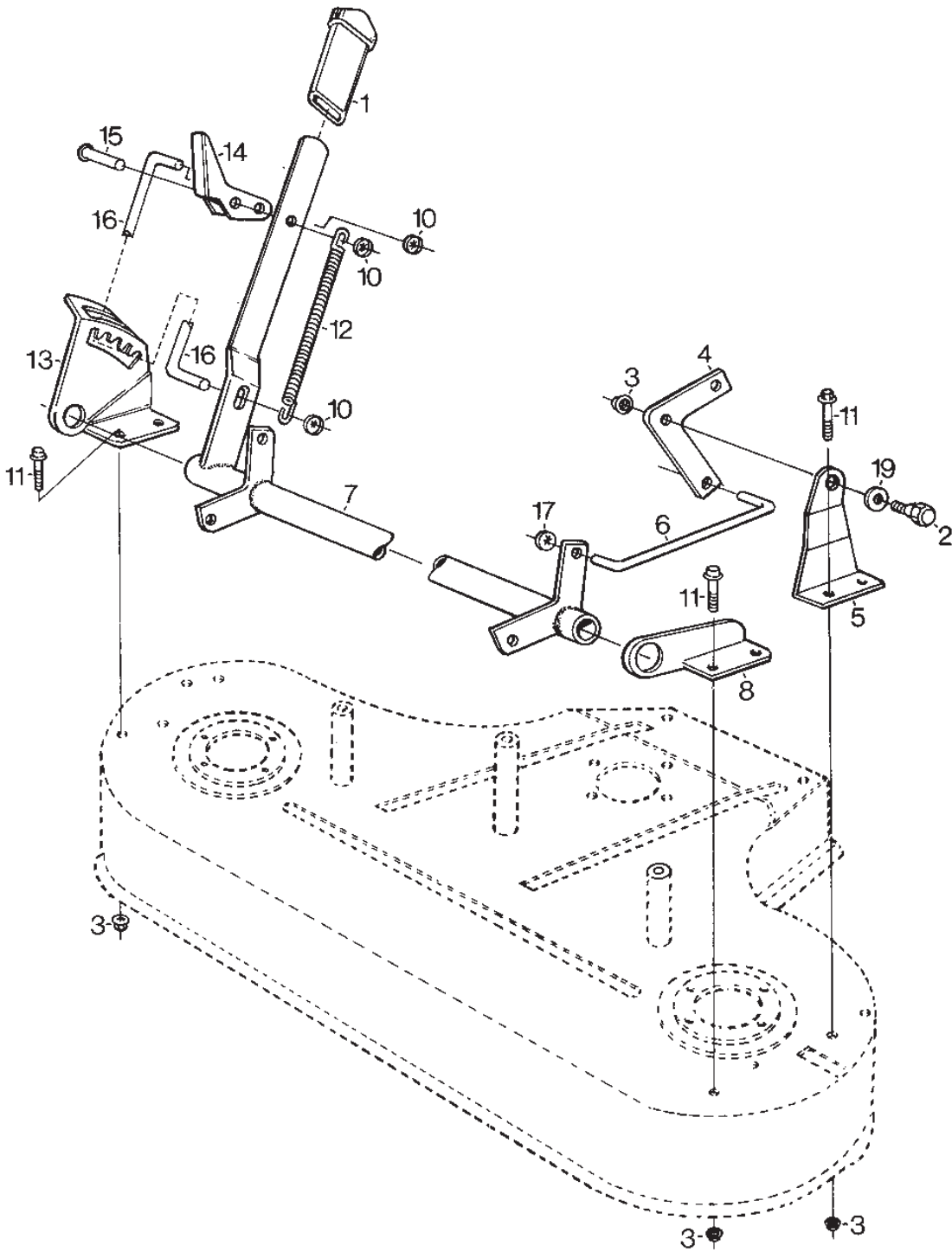
© Copyright 2014 Global Garden Products

All rights reserved. No part of this material may be reproduced or transmitted, in any form or by any means, electronic or mechanical, including photocopying, recording or by any information storage and retrieval system, without permission in writing from GLOBAL GARDEN PRODUCTS.

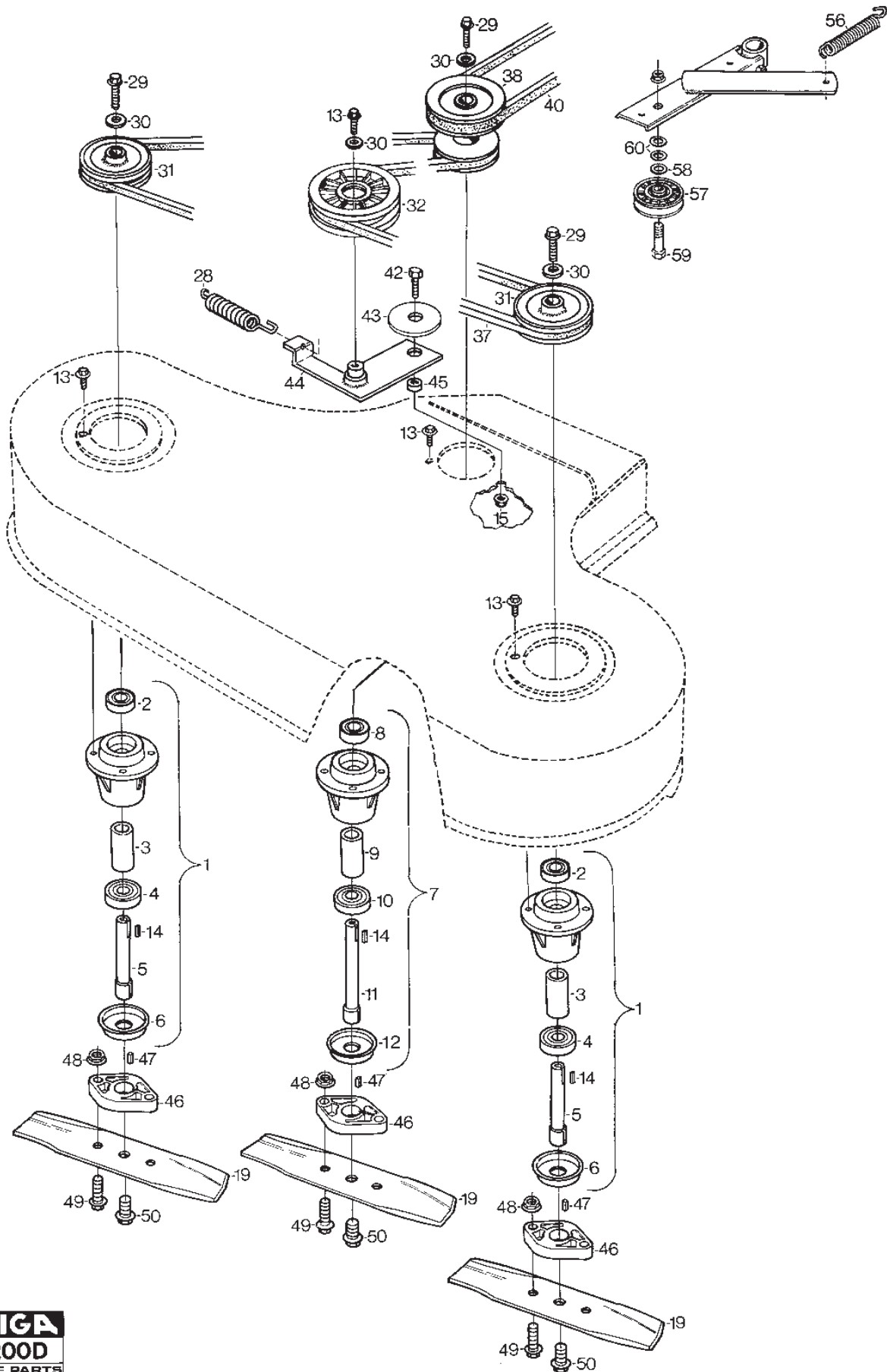
*[www.stiga.com](http://www.stiga.com)*



| Utgåva<br>Issue<br>41 - 2014 |                   | Klippaggregat 85B Ram |                        | Mower Deck 85B Frame  |                     |
|------------------------------|-------------------|-----------------------|------------------------|-----------------------|---------------------|
| Pos.<br>Fig.                 | Antal<br>Quantity | Art nr<br>Part No     | Benämning              | Description           | Anmärkning<br>Notes |
| 1                            | 2                 | 9942-0816-16          | Skruv                  | Screw                 |                     |
| 2                            | 1                 | 1134-1889-01          | Skruvögla              | Eye Bolt              |                     |
| 3                            | 1                 | 9699-0100-02          | Bricka                 | Flat washer           |                     |
| 4                            | 1                 | 1134-1596-01          | Transmissionskåpa5-01  | Transmission Casing   |                     |
| 5                            | 1                 | 1134-1448-01          | Kåpa Kpl 1-00 01       | Cutterpan Villa       |                     |
| 5                            | 1                 | 1134-2236-04          | Kåpa-klippaggregat     | Mower deck            |                     |
| 6                            | 1                 | 1134-1761-04          | Aggr Fäste Kpl Höger   | Attaching Arm (Right) |                     |
| 7                            | 1                 | 1134-9024-01          | Lager (4 St)           | Bearing               | Sats 4 st/kit of 4  |
| 8                            | 1                 | 1134-1614-02          | Ram Kpl 1-00 01        | Frame                 |                     |
| 10                           | 2                 | 9598-0003-02          |                        |                       |                     |
| 11                           | 4                 | 1134-0240-00          | Skruv                  | Screw                 |                     |
| 12                           | 6                 | 9739-0831-22          | Mutter                 | Nut                   |                     |
| 13                           | 2                 | 9598-0002-02          |                        |                       |                     |
| 14                           | 2                 | 9699-0056-02          | Bricka                 | Washer                |                     |
| 15                           | 2                 | 1134-1616-01          | Skruv                  | Screw                 |                     |
| 16                           | 2                 | 1134-1585-01          | Justermutter           | Nut                   |                     |
| 18                           | 2                 | 1134-1580-01          | Handtag Kpl            | Handle                |                     |
| 19                           | 2                 | 9935-1020-16          | Skruv                  | Screw                 |                     |
| 20                           | 1                 | 1134-0304-02          | Axel F Stödrullar      | Shaft Cutterhead      |                     |
| 21                           | 6                 | 1134-0299-00          | Skyddsruulle           | Guard Roller          |                     |
| 22                           | 3                 | 1134-0305-00          | Stödhjul               | Casing Wheel          |                     |
| 23                           | 4                 | 1134-1630-01          | Skyddsruulle 5-01      | Guard Roller          |                     |
| 24                           | 2                 | 1134-1726-01          | Hylsa                  | Sleeve                |                     |
| 25                           | 2                 | 9997-1055-12          | Skruv                  | Screw                 |                     |
| 28                           | 1                 | 1134-1761-03          | Aggr Fäste Kpl Vänster | Attaching Arm (Left)  |                     |
| 29                           | 1                 | 1134-9024-01          | Lager (4 St)           | Bearing               | Sats 4 st/kit of 4  |
| 32                           | 1                 | 1134-1578-01          | Fjäder                 | Spring                |                     |
| 33                           | 1                 | 1134-1605-01          | Kedja                  | Chain                 |                     |
| 40                           | 2                 | 9665-0002-00          | Bricka                 | Washer                |                     |



| Utgåva<br>Issue<br>41 - 2014 |                   | Klippaggregat 85B Reglage |                         | Mower Deck 85B Controls  |                     |
|------------------------------|-------------------|---------------------------|-------------------------|--------------------------|---------------------|
| Pos.<br>Fig.                 | Antal<br>Quantity | Art nr<br>Part No         | Benämning               | Description              | Anmärkning<br>Notes |
| 0                            | 1                 | 13-2912-15                | Klippaggregat kpl       | Mowing unit assy         | ANSI                |
| 0                            | 1                 | 13-2911-12                | Klippaggregat kpl       | Mower deck assy          |                     |
| 0                            | 1                 | 13-2911-13                | Klippaggregat kpl       | Mower deck assy          |                     |
| 0                            | 1                 | 13-2911-15                | Klippaggregat kpl       | Mowing unit assy         |                     |
| 1                            | 1                 | 1134-1069-01              | Höjdinställningshandtag | Handle                   |                     |
| 2                            | 2                 | 1134-0240-00              | Skruv                   | Screw                    |                     |
| 3                            | 10                | 9739-0831-22              | Mutter                  | Nut                      |                     |
| 3                            | 12                | 9739-0831-22              | Mutter                  | Nut                      |                     |
| 3                            | 10                | 9739-0831-22              | Mutter                  | Nut                      |                     |
| 3                            | 12                | 9739-0831-22              | Mutter                  | Nut                      |                     |
| 4                            | 2                 | 1134-2907-03              | Pivotplatta 5-01 24     | Pivoting Plate           |                     |
| 5                            | 2                 | 1134-0328-04              | Kåpkonsol (5-01 F24)    | Casing Bracket           |                     |
| 6                            | 2                 | 1134-1833-01              | Stag För Höjdinst       | Stay Bar                 |                     |
| 7                            | 1                 | 1134-1451-02              | Höjdinställningsspak    | Lever, Height Adjustment |                     |
| 8                            | 1                 | 1134-0312-04              | Parallellstagsfäste     | Tie Rod Bracket          |                     |
| 10                           | 3                 | 9675-0009-02              | Starlockbricka          | Starlock                 |                     |
| 11                           | 8                 | 9959-0816-16              | Skruv                   | Screw                    |                     |
| 12                           | 1                 | 1134-0361-00              | Fjäder                  | Spring                   |                     |
| 13                           | 1                 | 1134-1450-02              | Höjdinst Segment        | Height Adjust Quadrant   |                     |
| 14                           | 1                 | 1134-1326-01              | Reglageöra              | Control Lug              |                     |
| 15                           | 1                 | 9646-0064-22              | Nit Kn 6X18             | Rivet                    |                     |
| 16                           | 1                 | 1134-0343-00              | Höjdinställningsslid    | Slide                    |                     |
| 17                           | 4                 | 9675-0012-02              | Starlock                | Locking washer           |                     |
| 19                           | 2                 | 9665-0002-00              | Bricka                  | Washer                   |                     |
| 999                          | 1                 | 13-2912-16                | Klippaggregat kpl       | Mowing unit assy         | ANSI                |
| 999                          | 1                 | 13-2911-16                | Klippaggregat kpl       | Mowing unit assy         |                     |



| Utgåva<br>Issue<br>41 - 2014 |                   | Klippaggregat 85B Knivar |                    | Mower Deck 85B Blades  |                     |
|------------------------------|-------------------|--------------------------|--------------------|------------------------|---------------------|
| Pos.<br>Fig.                 | Antal<br>Quantity | Art nr<br>Part No        | Benämning          | Description            | Anmärkning<br>Notes |
| 1                            | 2                 | 1134-0428-01             | Lagerbox Smst Ema  | Bearing Box Assy.      |                     |
| 2                            | 1                 | 9549-0019-00             | Kullager           | Ball Bearing           |                     |
| 3                            | 1                 | 1134-0051-05             | Distans            | Spacer                 |                     |
| 4                            | 1                 | 9549-0020-00             | Kullager           | Ball Bearing           |                     |
| 5                            | 1                 | 1134-0397-01             | Knivaxel           | Blade Shaft            |                     |
| 6                            | 1                 | 1134-0400-01             | Bricka             | Washer                 |                     |
| 7                            | 1                 | 1134-0428-02             | Lagerbox Kpl Ema   | Bearing Box Assy.      |                     |
| 8                            | 1                 | 9549-0019-00             | Kullager           | Ball Bearing           |                     |
| 9                            | 1                 | 1134-0051-05             | Distans            | Spacer                 |                     |
| 10                           | 1                 | 9549-0020-00             | Kullager           | Ball Bearing           |                     |
| 11                           | 1                 | 1134-0397-03             | Knivaxel           | Blade Shaft            |                     |
| 12                           | 1                 | 1134-0400-01             | Bricka             | Washer                 |                     |
| 13                           | 13                | 9942-0816-16             | Skruv              | Screw                  |                     |
| 14                           | 3                 | 1134-0323-00             | Plattkil           | Key                    |                     |
| 15                           | 1                 | 9739-0831-22             | Mutter             | Nut                    |                     |
| 19                           | 1                 | 1134-9003-01             | Kniv               | Blade                  | Sats 3 st/kit of 3  |
| 28                           | 1                 | 1134-1446-01             | Kåpfjäder          | Spring For Casing      |                     |
| 29                           | 3                 | 9958-0820-16             | Skruv              | Screw                  |                     |
| 30                           | 4                 | 9699-0056-02             | Bricka             | Washer                 |                     |
| 31                           | 2                 | 1134-1285-01             | Remskiva           | Belt Pulley            |                     |
| 32                           | 1                 | 1134-3053-01             | Spännrulle         | Tension Roller         |                     |
| 37                           | 1                 | 1134-9007-01             | Kilrem             | V-Belt                 | =9585-0118-00       |
| 38                           | 1                 | 1134-1636-01             | Remskiva           | Belt Pulley            |                     |
| 40                           | 1                 | 1134-9009-01             | Kilrem             | V-Belt                 | =9585-0052-00       |
| 42                           | 1                 | 9997-0820-16             | Skruv              | Screw                  |                     |
| 43                           | 1                 | 9699-0109-02             | Bricka             | Washer                 |                     |
| 44                           | 1                 | 1134-0325-02             | Spännarm           | Tensioning Arm         |                     |
| 45                           | 1                 | 1131-1684-00             | Distans            | Spacer                 |                     |
| 46                           | 1                 | 1134-9000-01             | Knivfäste          | Blade Holder           |                     |
| 46                           | 3                 | 1134-2082-01             | Knivfäste          | Blade Holder           |                     |
| 47                           | 3                 | 1134-0323-00             | Plattkil           | Key                    |                     |
| 48                           | 6                 | 9739-0831-22             | Mutter             | Nut                    |                     |
| 49                           | 6                 | 9959-0830-16             | Skruv              | Screw                  |                     |
| 50                           | 3                 | 9991-1024-19             | Skruv              | Screw                  |                     |
| 56                           | 1                 | 1134-1446-01             | Kåpfjäder          | Spring For Casing      |                     |
| 57                           | 1                 | 1134-9027-01             | Spännrulle (Svart) | Tension Roller (Black) |                     |
| 58                           | 1                 | 9699-0035-02             | Bricka             | Washer                 |                     |
| 59                           | 1                 | 9997-1035-16             | Skruv              | Screw                  |                     |
| 60                           | 2                 | 9699-0035-02             | Bricka             | Washer                 |                     |

| code         | pos. | q.ty | page |              |    |    |      |
|--------------|------|------|------|--------------|----|----|------|
| 13-2911-12   | 0    | 1    | p. 5 | 9646-0064-22 | 15 | 1  | p. 5 |
| 13-2911-13   | 0    | 1    | p. 5 | 9665-0002-00 | 19 | 2  | p. 5 |
| 13-2911-15   | 0    | 1    | p. 5 | 9665-0002-00 | 40 | 2  | p. 3 |
| 13-2911-16   | 999  | 1    | p. 5 | 9675-0009-02 | 10 | 3  | p. 5 |
| 13-2912-15   | 0    | 1    | p. 5 | 9675-0012-02 | 17 | 4  | p. 5 |
| 13-2912-16   | 999  | 1    | p. 5 | 9699-0035-02 | 58 | 1  | p. 7 |
| 1131-1684-00 | 45   | 1    | p. 7 | 9699-0035-02 | 60 | 2  | p. 7 |
| 1134-0051-05 | 3    | 1    | p. 7 | 9699-0056-02 | 14 | 2  | p. 3 |
| 1134-0051-05 | 9    | 1    | p. 7 | 9699-0056-02 | 30 | 4  | p. 7 |
| 1134-0240-00 | 2    | 2    | p. 5 | 9699-0100-02 | 3  | 1  | p. 3 |
| 1134-0240-00 | 11   | 4    | p. 3 | 9699-0109-02 | 43 | 1  | p. 7 |
| 1134-0299-00 | 21   | 6    | p. 3 | 9739-0831-22 | 3  | 10 | p. 5 |
| 1134-0304-02 | 20   | 1    | p. 3 | 9739-0831-22 | 3  | 10 | p. 5 |
| 1134-0305-00 | 22   | 3    | p. 3 | 9739-0831-22 | 3  | 12 | p. 5 |
| 1134-0312-04 | 8    | 1    | p. 5 | 9739-0831-22 | 3  | 12 | p. 5 |
| 1134-0323-00 | 14   | 3    | p. 7 | 9739-0831-22 | 12 | 6  | p. 3 |
| 1134-0323-00 | 47   | 3    | p. 7 | 9739-0831-22 | 15 | 1  | p. 7 |
| 1134-0325-02 | 44   | 1    | p. 7 | 9739-0831-22 | 48 | 6  | p. 7 |
| 1134-0328-04 | 5    | 2    | p. 5 | 9935-1020-16 | 19 | 2  | p. 3 |
| 1134-0343-00 | 16   | 1    | p. 5 | 9942-0816-16 | 1  | 2  | p. 3 |
| 1134-0361-00 | 12   | 1    | p. 5 | 9942-0816-16 | 13 | 13 | p. 7 |
| 1134-0397-01 | 5    | 1    | p. 7 | 9958-0820-16 | 29 | 3  | p. 7 |
| 1134-0397-03 | 11   | 1    | p. 7 | 9959-0816-16 | 11 | 8  | p. 5 |
| 1134-0400-01 | 6    | 1    | p. 7 | 9959-0830-16 | 49 | 6  | p. 7 |
| 1134-0400-01 | 12   | 1    | p. 7 | 9991-1024-19 | 50 | 3  | p. 7 |
| 1134-0428-01 | 1    | 2    | p. 7 | 9997-0820-16 | 42 | 1  | p. 7 |
| 1134-0428-02 | 7    | 1    | p. 7 | 9997-1035-16 | 59 | 1  | p. 7 |
| 1134-1069-01 | 1    | 1    | p. 5 | 9997-1055-12 | 25 | 2  | p. 3 |
| 1134-1285-01 | 31   | 2    | p. 7 |              |    |    |      |
| 1134-1326-01 | 14   | 1    | p. 5 |              |    |    |      |
| 1134-1446-01 | 28   | 1    | p. 7 |              |    |    |      |
| 1134-1446-01 | 56   | 1    | p. 7 |              |    |    |      |
| 1134-1448-01 | 5    | 1    | p. 3 |              |    |    |      |
| 1134-1450-02 | 13   | 1    | p. 5 |              |    |    |      |
| 1134-1451-02 | 7    | 1    | p. 5 |              |    |    |      |
| 1134-1578-01 | 32   | 1    | p. 3 |              |    |    |      |
| 1134-1580-01 | 18   | 2    | p. 3 |              |    |    |      |
| 1134-1585-01 | 16   | 2    | p. 3 |              |    |    |      |
| 1134-1596-01 | 4    | 1    | p. 3 |              |    |    |      |
| 1134-1605-01 | 33   | 1    | p. 3 |              |    |    |      |
| 1134-1614-02 | 8    | 1    | p. 3 |              |    |    |      |
| 1134-1616-01 | 15   | 2    | p. 3 |              |    |    |      |
| 1134-1630-01 | 23   | 4    | p. 3 |              |    |    |      |
| 1134-1636-01 | 38   | 1    | p. 7 |              |    |    |      |
| 1134-1726-01 | 24   | 2    | p. 3 |              |    |    |      |
| 1134-1761-03 | 28   | 1    | p. 3 |              |    |    |      |
| 1134-1761-04 | 6    | 1    | p. 3 |              |    |    |      |
| 1134-1833-01 | 6    | 2    | p. 5 |              |    |    |      |
| 1134-1889-01 | 2    | 1    | p. 3 |              |    |    |      |
| 1134-2082-01 | 46   | 3    | p. 7 |              |    |    |      |
| 1134-2236-04 | 5    | 1    | p. 3 |              |    |    |      |
| 1134-2907-03 | 4    | 2    | p. 5 |              |    |    |      |
| 1134-3053-01 | 32   | 1    | p. 7 |              |    |    |      |
| 1134-9000-01 | 46   | 1    | p. 7 |              |    |    |      |
| 1134-9003-01 | 19   | 1    | p. 7 |              |    |    |      |
| 1134-9007-01 | 37   | 1    | p. 7 |              |    |    |      |
| 1134-9009-01 | 40   | 1    | p. 7 |              |    |    |      |
| 1134-9024-01 | 7    | 1    | p. 3 |              |    |    |      |
| 1134-9024-01 | 29   | 1    | p. 3 |              |    |    |      |
| 1134-9027-01 | 57   | 1    | p. 7 |              |    |    |      |
| 9549-0019-00 | 2    | 1    | p. 7 |              |    |    |      |
| 9549-0019-00 | 8    | 1    | p. 7 |              |    |    |      |
| 9549-0020-00 | 4    | 1    | p. 7 |              |    |    |      |
| 9549-0020-00 | 10   | 1    | p. 7 |              |    |    |      |
| 9598-0002-02 | 13   | 2    | p. 3 |              |    |    |      |
| 9598-0003-02 | 10   | 2    | p. 3 |              |    |    |      |