



Reservdelskatalog Parts Catalogue

VILLA 85B

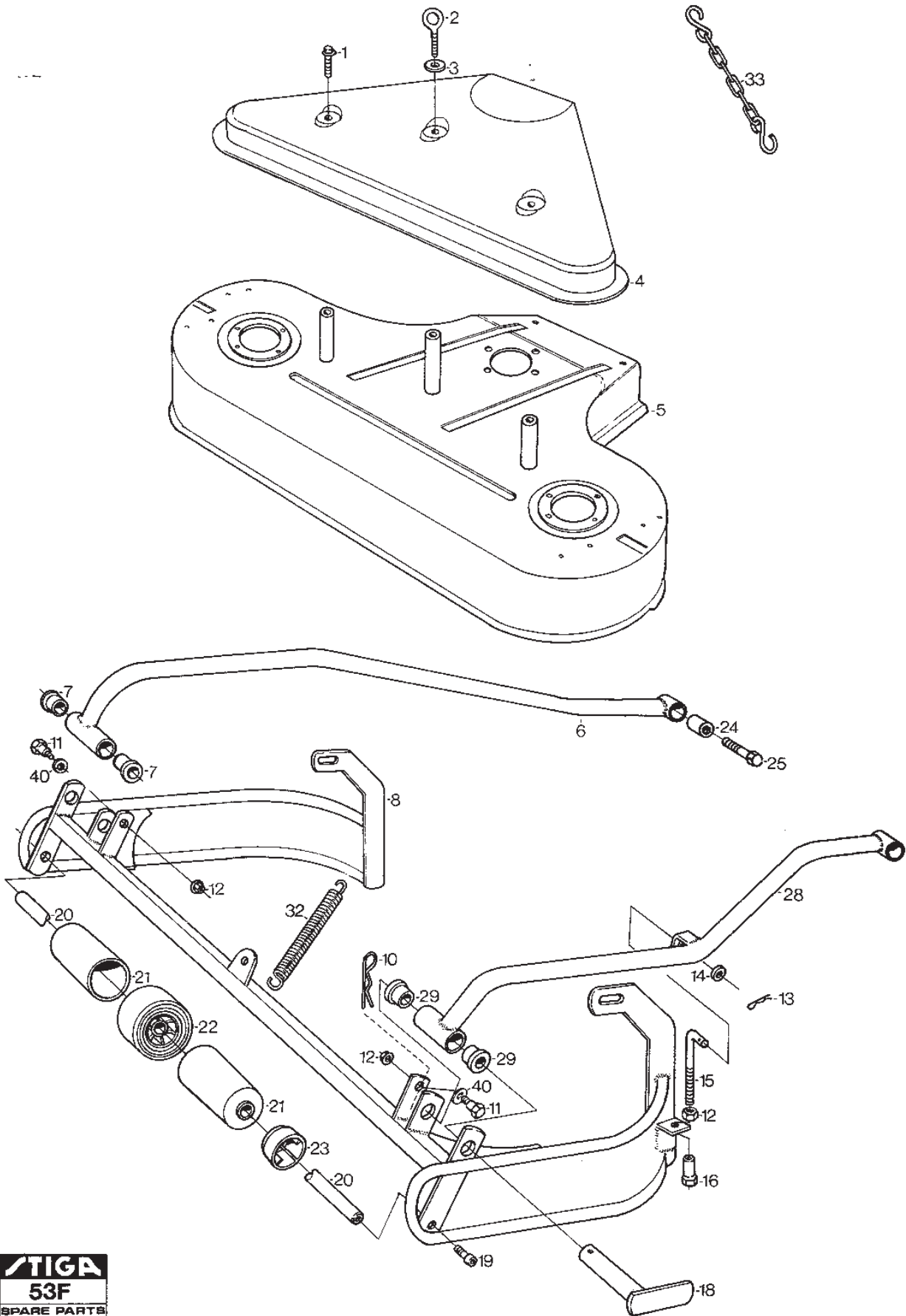
13-2911-13 - Season 1993

- Use GLOBAL GARDEN PRODUCT Genuine Spare Parts specified in the parts list for repair and/or replacement.
 - The contents described in the parts list may change due to improvement.
 - The drawings of the spare parts are only indicative and might not represent the part in question exactly.
 - The indications "right" - "left" - "front" - "rear" refer to the position of the operator when using the machine.
- When placing orders of parts for repair and/or replacement, make sure that the illustrated parts list is the one applying to the machine's year of manufacture, as shown on the identification plate attached to the machine.

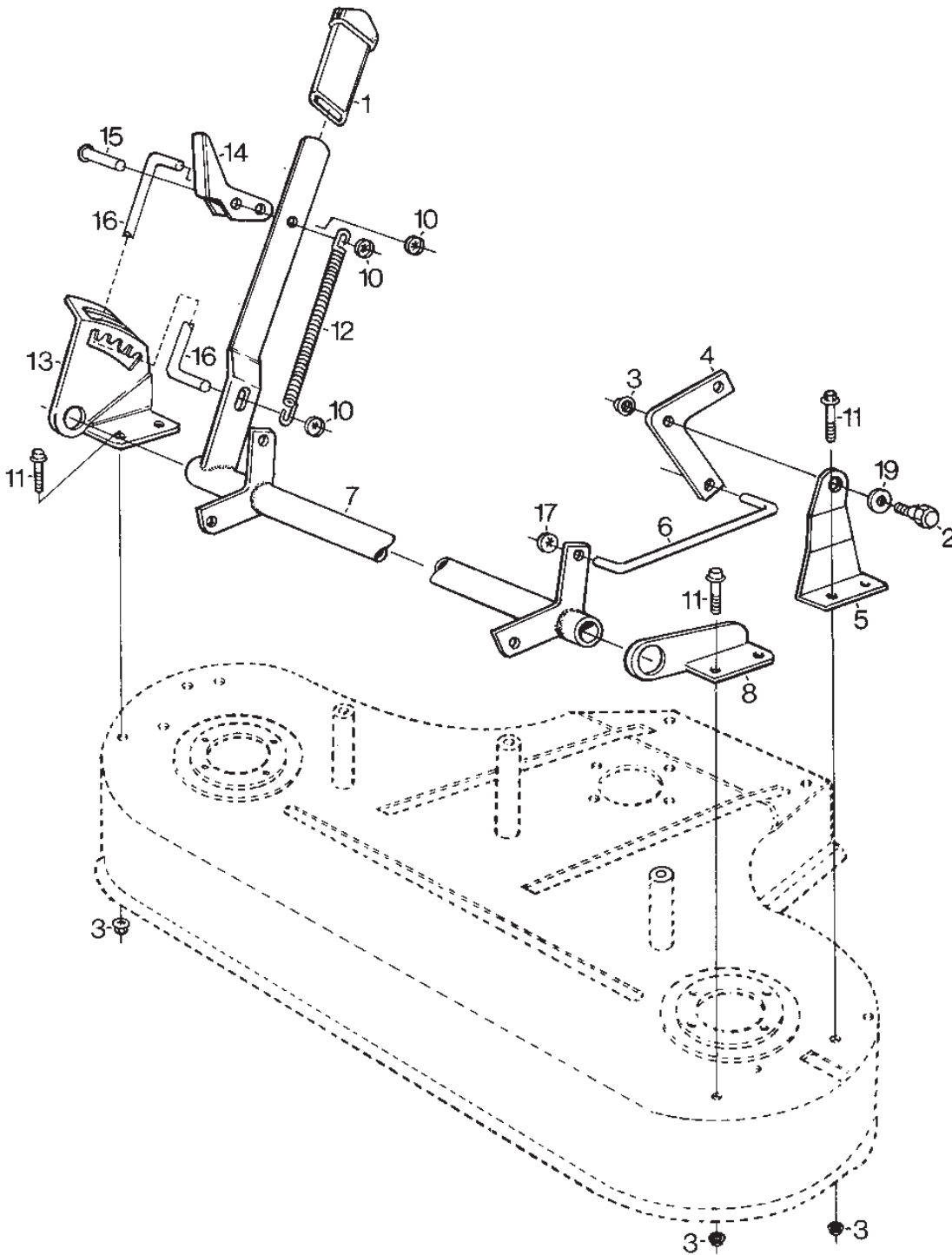
© Copyright 2014 Global Garden Products

All rights reserved. No part of this material may be reproduced or transmitted, in any form or by any means, electronic or mechanical, including photocopying, recording or by any information storage and retrieval system, without permission in writing from GLOBAL GARDEN PRODUCTS.

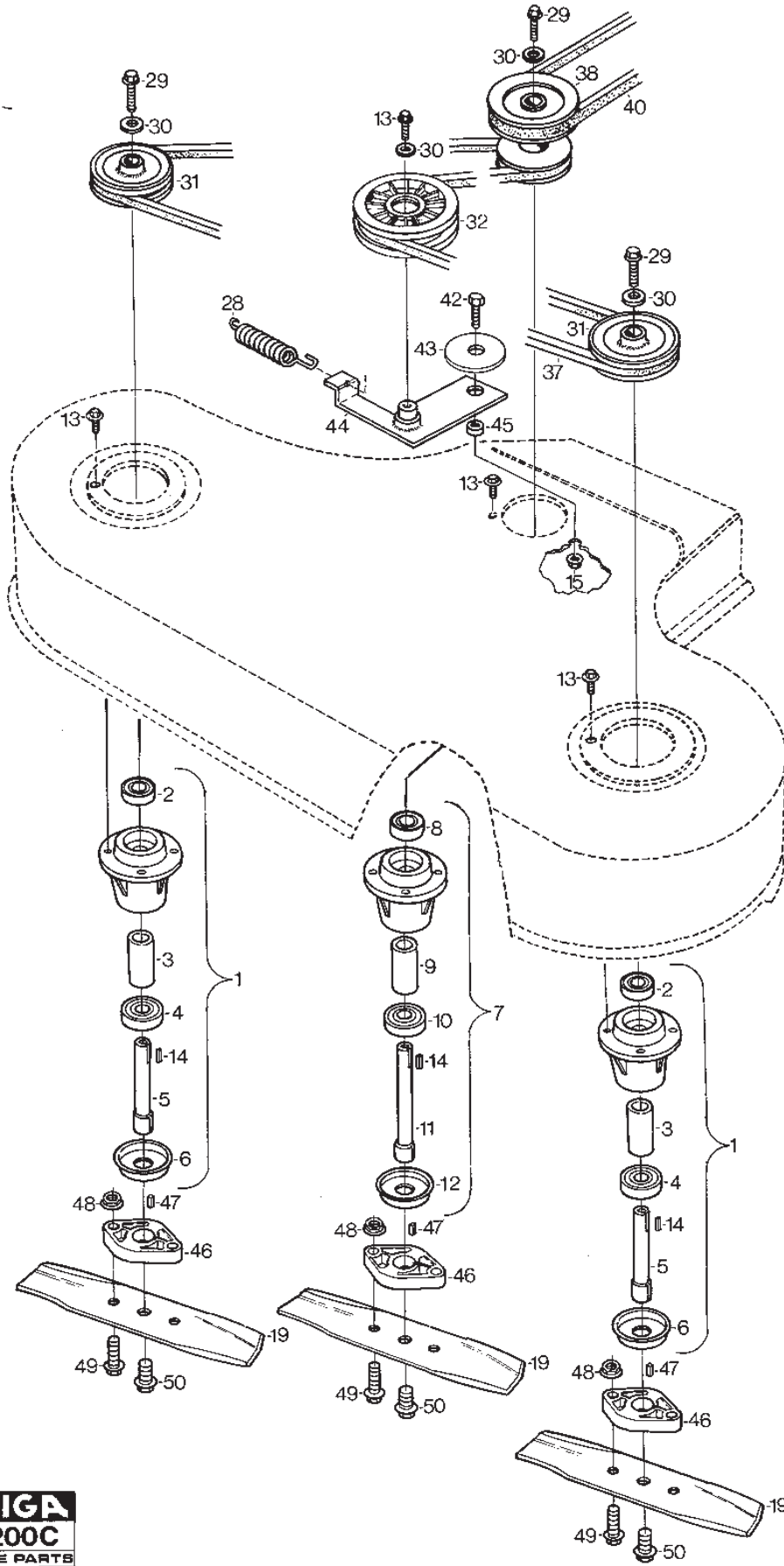
www.stiga.com



Utgåva Issue 37 - 2014		Klippaggregat 85B Ram		Mower Deck 85B Frame	
Pos. Fig.	Antal Q.ty	Art nr Part No	Benämning	Description	Anmärkning Notes
13	2	9598-0002-02	Spring Pin	Spring Pin	
10	2	9598-0003-02	Spring Pin	Spring Pin	
0	1	13-2911-13	Klippaggregat kpl	Mower deck assy	
11	2	1134-0240-00	Skruv	Screw	
21	6	1134-0299-00	Skyddsruhle	Guard Roller	
20	1	1134-0304-02	Axel F Stödrullar	Shaft Cutterhead	
22	3	1134-0305-00	Stödhjul	Casing Wheel	
5	1	1134-1448-01	Kåpa Kpl 1-00 01	Cutterpan Villa	
32	1	1134-1578-01	Fjäder	Spring	
18	2	1134-1580-01	Handtag Kpl	Handle	
16	2	1134-1585-01	Justermutter	Nut	
4	1	1134-1596-01	Transmissionskåpa5-01	Transmission Casing	
33	1	1134-1605-01	Kedja	Chain	
8	1	1134-1614-02	Ram Kpl 1-00 01	Frame	
15	2	1134-1616-01	Skruv	Screw	
23	4	1134-1630-01	Skyddsruhle 5-01	Guard Roller	
24	2	1134-1726-01	Hylsa	Sleeve	
28	1	1134-1761-03	Aggr Fäste Kpl Vänster	Attaching Arm (Left)	
6	1	1134-1761-04	Aggr Fäste Kpl Höger	Attaching Arm (Right)	
2	1	1134-1889-01	Skruvögla	Eye Bolt	
7	1	1134-9024-01	Lager (4 St)	Bearing	
29	1	1134-9024-01	Lager (4 St)	Bearing	
40	2	9665-0002-00	Bricka	Washer	
14	2	9699-0056-02	Bricka	Washer	
3	1	9699-0100-02	Bricka	Flat washer	
12	4	9739-0831-22	Mutter	Nut	
19	2	9935-1020-16	Skruv	Screw	
1	2	9942-0816-16	Skruv	Screw	
25	2	9997-1055-12	Skruv	Screw	



Utgåva Issue 37 - 2014		Klippaggregat 85B Reglage		Mower Deck 85B Controls	
Pos. Fig.	Antal Q.ty	Art nr Part No	Benämning	Description	Anmärkning Notes
10	3	9675-0009-02	Starlockbricka	Starlock	
17	4	9675-0012-02	Starlock	Locking washer	
0	1	13-2911-12	Klippaggregat kpl	Mower deck assy	
0	1	13-2911-13	Klippaggregat kpl	Mower deck assy	
0	1	13-2911-15	Klippaggregat kpl	Mowing unit assy	
	1	13-2911-16	Klippaggregat kpl	Mowing unit assy	
0	1	13-2912-15	Klippaggregat kpl	Mowing unit assy	ANSI
	1	13-2912-16	Klippaggregat kpl	Mowing unit assy	ANSI
2	2	1134-0240-00	Skruv	Screw	
8	1	1134-0312-04	Parallellstagsfäste	Tie Rod Bracket	
5	2	1134-0328-04	Kåpkonsol (5-01 F24)	Casing Bracket	
16	1	1134-0343-00	Höjdinställningsslid	Slide	
12	1	1134-0361-00	Fjäder	Spring	
1	1	1134-1069-01	Höjdinställningshandtag	Handle	
14	1	1134-1326-01	Reglageöra	Control Lug	
13	1	1134-1450-02	Höjdinst Segment	Height Adjust Quadrant	
7	1	1134-1451-02	Höjdinställningsspak	Lever, Height Adjustment	
6	2	1134-1833-01	Stag För Höjdinst	Stay Bar	
4	2	1134-2907-03	Pivotplatta 5-01 24	Pivoting Plate	
15	1	9646-0064-22	Nit Kn 6X18	Rivet	
19	2	9665-0002-00	Bricka	Washer	
3	10	9739-0831-22	Mutter	Nut	
3	12	9739-0831-22	Mutter	Nut	
11	8	9959-0816-16	Skruv	Screw	



Utgåva Issue 37 - 2014		Klippaggregat 85B Kniv		Mower Deck 85B Blades	
Pos. Fig.	Antal Q.ty	Art nr Part No	Benämning	Description	Anmärkning Notes
0	1	13-2911-12	Klippaggregat kpl	Mower deck assy	
0	1	13-2911-13	Klippaggregat kpl	Mower deck assy	
45	1	1131-1684-00	Distans	Spacer	
3	1	1134-0051-05	Distans	Spacer	
9	1	1134-0051-05	Distans	Spacer	
14	3	1134-0323-00	Plattkil	Key	
47	3	1134-0323-00	Plattkil	Key	
44	1	1134-0325-02	Spännarm	Tensioning Arm	
5	1	1134-0397-01	Knivaxel	Blade Shaft	
11	1	1134-0397-03	Knivaxel	Blade Shaft	
6	1	1134-0400-01	Bricka	Washer	
12	1	1134-0400-01	Bricka	Washer	
1	2	1134-0428-01	Lagerbox Smst Ema	Bearing Box Assy.	
7	1	1134-0428-02	Lagerbox Kpl Ema	Bearing Box Assy.	
31	2	1134-1285-01	Remskiva	Belt Pulley	
28	1	1134-1446-01	Kåpfjäder	Spring For Casing	
38	1	1134-1636-01	Remskiva	Belt Pulley	
46	3	1134-2082-01	Knivfäste	Blade Holder	
32	1	1134-3053-01	Spännrulle	Tension Roller	
46	1	1134-9000-01	Knivfäste	Blade Holder	
19	1	1134-9003-01	Kniv	Blade	
37	1	1134-9007-01	Kilrem	V-Belt	= 9585-0118-00
40	1	1134-9009-01	Kilrem	V-Belt	= 9585-0052-00
2	1	9549-0019-00	Kullager	Ball Bearing	
8	1	9549-0019-00	Kullager	Ball Bearing	
4	1	9549-0020-00	Kullager	Ball Bearing	
10	1	9549-0020-00	Kullager	Ball Bearing	
30	4	9699-0056-02	Bricka	Washer	
43	1	9699-0109-02	Bricka	Washer	
15	1	9739-0831-22	Mutter	Nut	
48	6	9739-0831-22	Mutter	Nut	
13	13	9942-0816-16	Skruv	Screw	
29	3	9958-0820-16	Skruv	Screw	
49	6	9959-0830-16	Skruv	Screw	
50	3	9991-1024-19	Skruv	Screw	
42	1	9997-0820-16	Skruv	Screw	

code	pos.	q.ty	page				
13-2911-12	0	1	p. 5	9646-0064-22	15	1	p. 5
13-2911-12	0	1	p. 7	9665-0002-00	19	2	p. 5
13-2911-13	0	1	p. 3	9665-0002-00	40	2	p. 3
13-2911-13	0	1	p. 5	9675-0009-02	10	3	p. 5
13-2911-13	0	1	p. 7	9675-0012-02	17	4	p. 5
13-2911-15	0	1	p. 5	9699-0056-02	14	2	p. 3
13-2911-16		1	p. 5	9699-0056-02	30	4	p. 7
13-2912-15	0	1	p. 5	9699-0100-02	3	1	p. 3
13-2912-16		1	p. 5	9699-0109-02	43	1	p. 7
1131-1684-00	45	1	p. 7	9739-0831-22	3	10	p. 5
1134-0051-05	3	1	p. 7	9739-0831-22	3	12	p. 5
1134-0051-05	9	1	p. 7	9739-0831-22	12	4	p. 3
1134-0240-00	2	2	p. 5	9739-0831-22	15	1	p. 7
1134-0240-00	11	2	p. 3	9739-0831-22	48	6	p. 7
1134-0299-00	21	6	p. 3	9935-1020-16	19	2	p. 3
1134-0304-02	20	1	p. 3	9942-0816-16	1	2	p. 3
1134-0305-00	22	3	p. 3	9942-0816-16	13	13	p. 7
1134-0312-04	8	1	p. 5	9958-0820-16	29	3	p. 7
1134-0323-00	14	3	p. 7	9959-0816-16	11	8	p. 5
1134-0323-00	47	3	p. 7	9959-0830-16	49	6	p. 7
1134-0325-02	44	1	p. 7	9991-1024-19	50	3	p. 7
1134-0328-04	5	2	p. 5	9997-0820-16	42	1	p. 7
1134-0343-00	16	1	p. 5	9997-1055-12	25	2	p. 3
1134-0361-00	12	1	p. 5				
1134-0397-01	5	1	p. 7				
1134-0397-03	11	1	p. 7				
1134-0400-01	6	1	p. 7				
1134-0400-01	12	1	p. 7				
1134-0428-01	1	2	p. 7				
1134-0428-02	7	1	p. 7				
1134-1069-01	1	1	p. 5				
1134-1285-01	31	2	p. 7				
1134-1326-01	14	1	p. 5				
1134-1446-01	28	1	p. 7				
1134-1448-01	5	1	p. 3				
1134-1450-02	13	1	p. 5				
1134-1451-02	7	1	p. 5				
1134-1578-01	32	1	p. 3				
1134-1580-01	18	2	p. 3				
1134-1585-01	16	2	p. 3				
1134-1596-01	4	1	p. 3				
1134-1605-01	33	1	p. 3				
1134-1614-02	8	1	p. 3				
1134-1616-01	15	2	p. 3				
1134-1630-01	23	4	p. 3				
1134-1636-01	38	1	p. 7				
1134-1726-01	24	2	p. 3				
1134-1761-03	28	1	p. 3				
1134-1761-04	6	1	p. 3				
1134-1833-01	6	2	p. 5				
1134-1889-01	2	1	p. 3				
1134-2082-01	46	3	p. 7				
1134-2907-03	4	2	p. 5				
1134-3053-01	32	1	p. 7				
1134-9000-01	46	1	p. 7				
1134-9003-01	19	1	p. 7				
1134-9007-01	37	1	p. 7				
1134-9009-01	40	1	p. 7				
1134-9024-01	7	1	p. 3				
1134-9024-01	29	1	p. 3				
9549-0019-00	2	1	p. 7				
9549-0019-00	8	1	p. 7				
9549-0020-00	4	1	p. 7				
9549-0020-00	10	1	p. 7				
9598-0002-02	13	2	p. 3				
9598-0003-02	10	2	p. 3				