



Reservdelskatalog Parts Catalogue

VILLA 85B

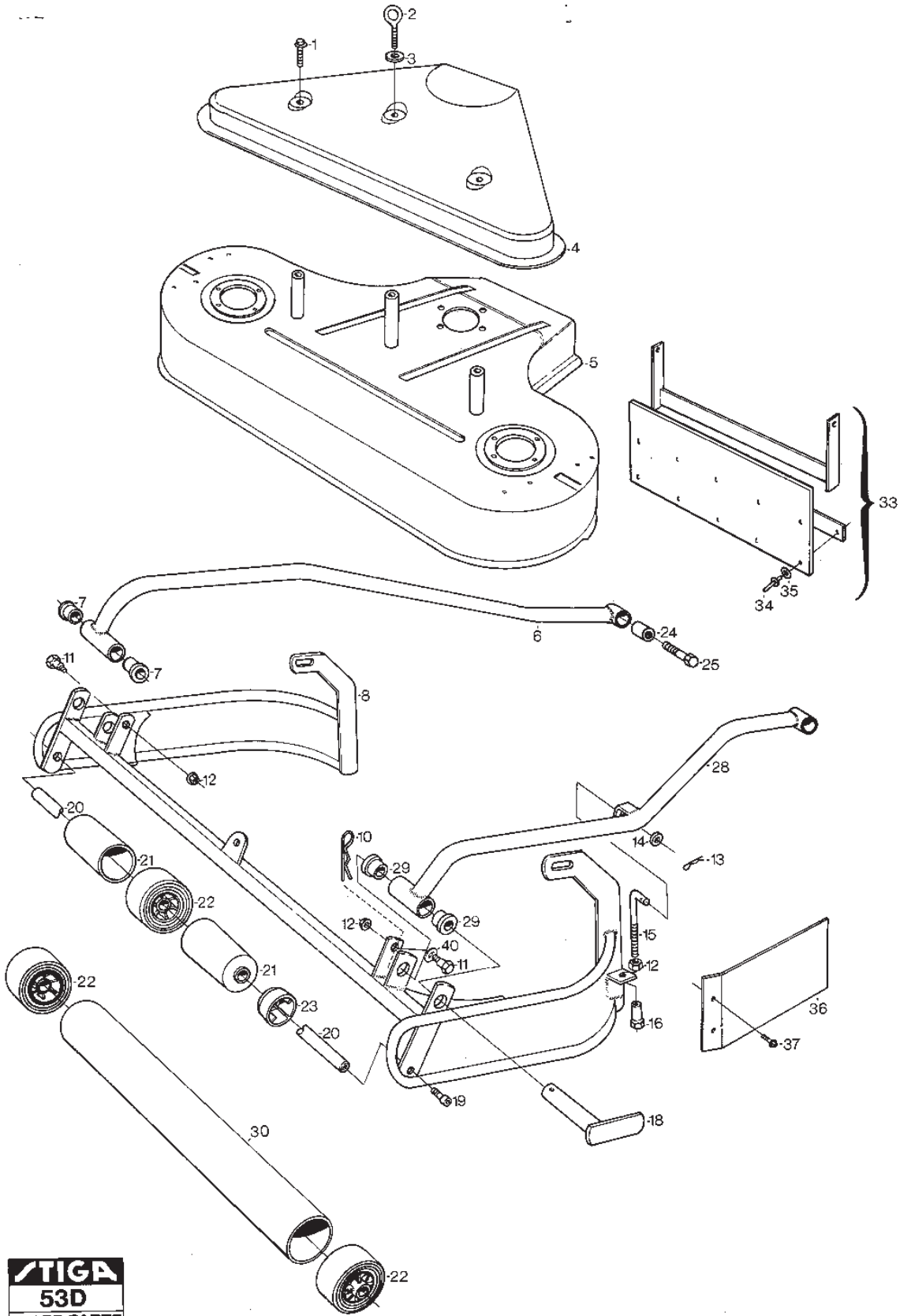
13-2911-92 - Season 1990

- Use GLOBAL GARDEN PRODUCT Genuine Spare Parts specified in the parts list for repair and/or replacement.
 - The contents described in the parts list may change due to improvement.
 - The drawings of the spare parts are only indicative and might not represent the part in question exactly.
 - The indications "right" - "left" - "front" - "rear" refer to the position of the operator when using the machine.
- When placing orders of parts for repair and/or replacement, make sure that the illustrated parts list is the one applying to the machine's year of manufacture, as shown on the identification plate attached to the machine.

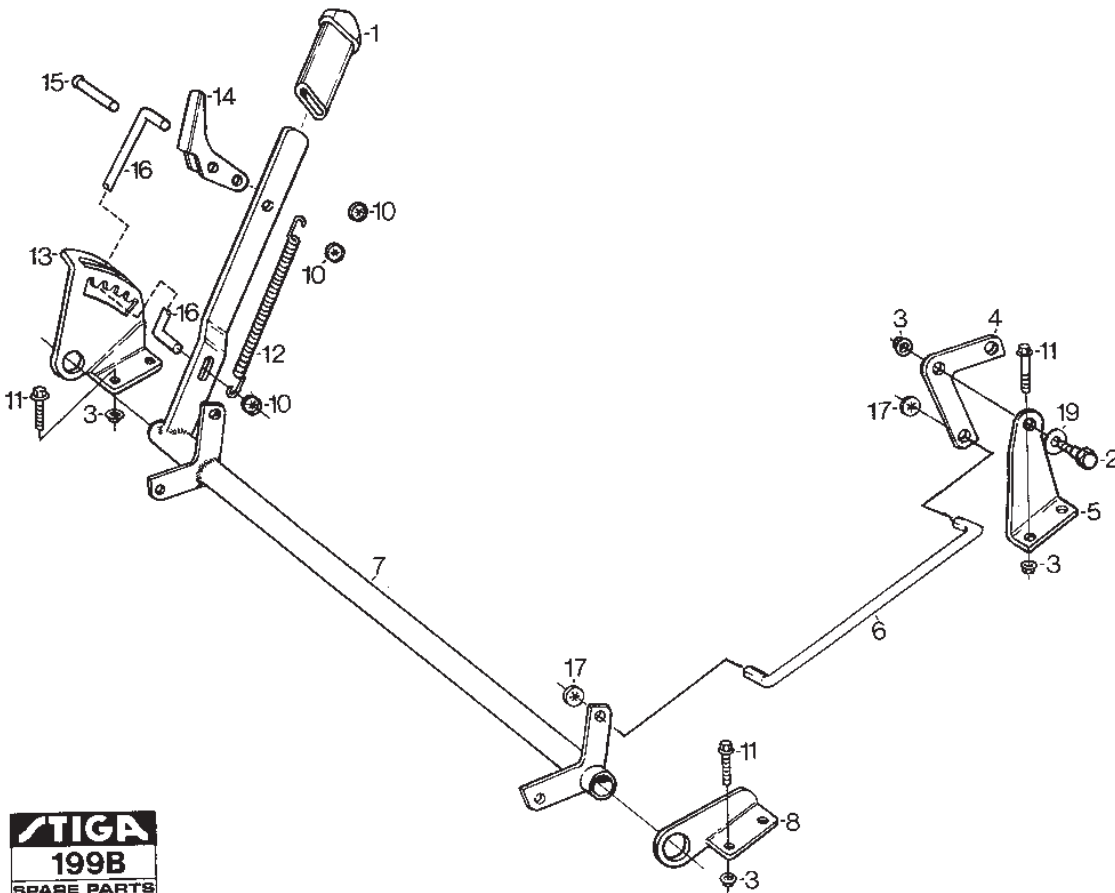
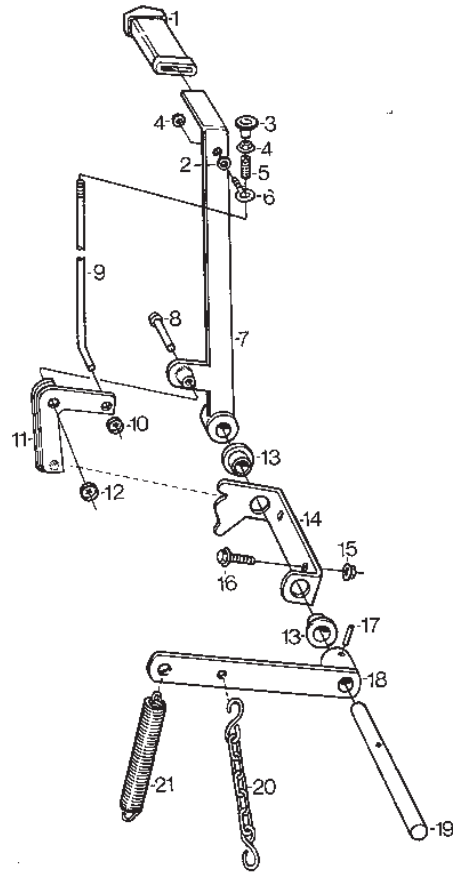
© Copyright 2014 Global Garden Products

All rights reserved. No part of this material may be reproduced or transmitted, in any form or by any means, electronic or mechanical, including photocopying, recording or by any information storage and retrieval system, without permission in writing from GLOBAL GARDEN PRODUCTS.

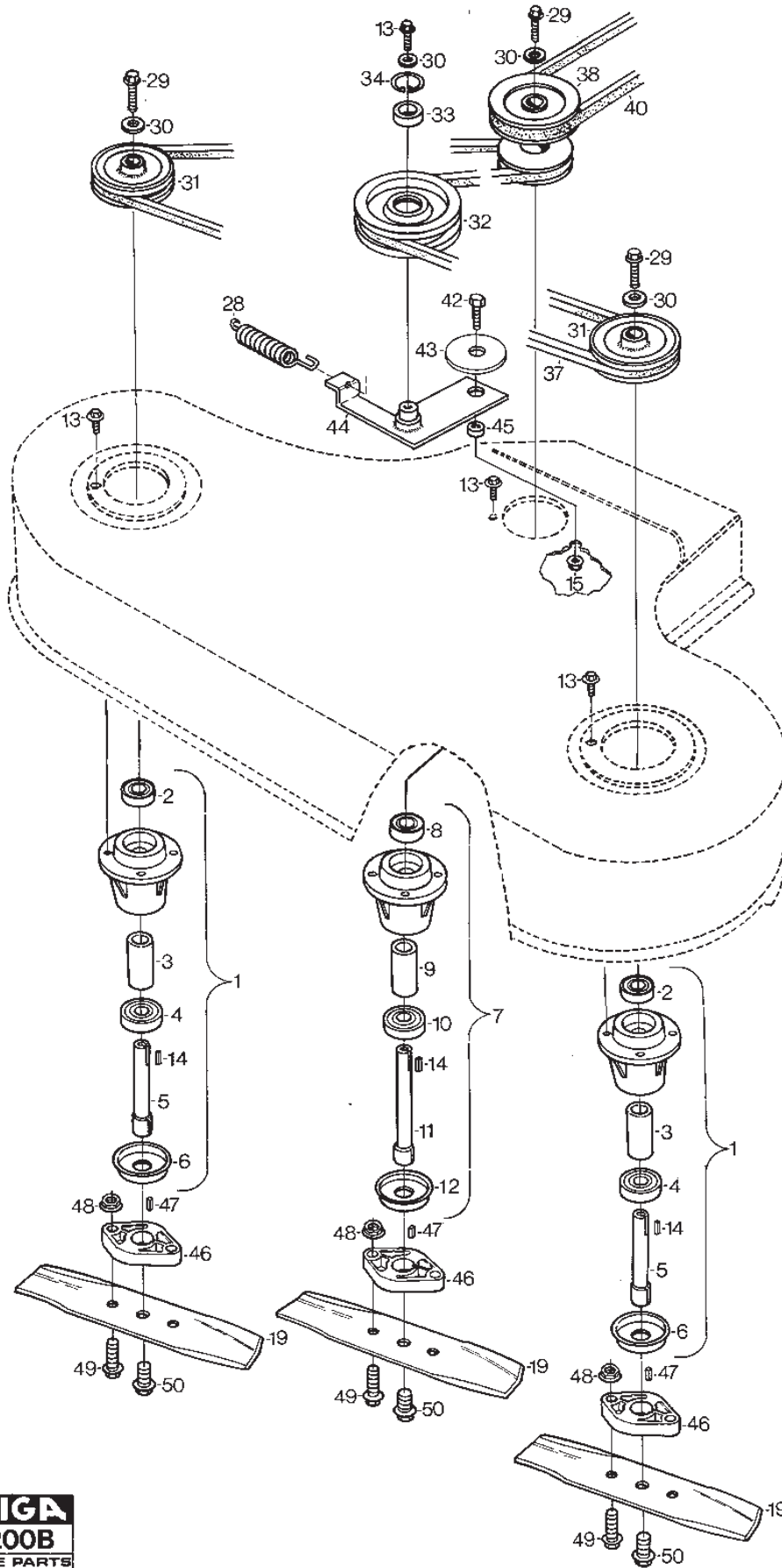
www.stiga.com



Utgåva Issue 39 - 2014		Klippaggregat 85B Ram		Mower Deck 85B Frame	
Pos. Fig.	Antal Q.ty	Art nr Part No	Benämning	Description	Anmärkning Notes
1	2	9942-0816-16	Skruv	Screw	
2	1	1134-1889-01	Skruvögla	Eye Bolt	
3	1	9699-0100-02	Bricka	Flat washer	
4	1	1134-1596-01	Transmissionskåpa5-01	Transmission Casing	
5	1	1134-1448-01	Kåpa Kpl 1-00 01	Cutterpan Villa	
6	1	1134-1761-04	Aggr Fäste Kpl Höger	Attaching Arm (Right)	
7	2	1134-9024-01	Lager (4 St)	Bearing	
8	1	1134-1614-02	Ram Kpl 1-00 01	Frame	
10	2	9598-0003-02	Spring Pin	Spring Pin	
11	2	1134-0240-00	Skruv	Screw	
12	4	9739-0831-22	Mutter	Nut	
13	2	9598-0002-02	Spring Pin	Spring Pin	
14	2	9699-0056-02	Bricka	Washer	
15	2	1134-1616-01	Skruv	Screw	
16	2	1134-1585-01	Justermutter	Nut	
18	2	1134-1580-01	Handtag Kpl	Handle	
19	2	1134-2349-01	Skruv	Screw	
20	1	1134-0304-02	Axel F Stödrullar	Shaft Cutterhead	
21	6	1134-0299-00	Skyddsruhle	Guard Roller	
22	3	1134-0305-00	Stödhjul	Casing Wheel	
23	4	1134-1630-01	Skyddsruhle 5-01	Guard Roller	
24	2	1134-1726-01	Hylsa	Sleeve	
25	2	9997-1055-12	Skruv	Screw	
28	1	1134-1761-03	Aggr Fäste Kpl Vänster	Attaching Arm (Left)	
29	2	1134-9024-01	Lager (4 St)	Bearing	
40	2	9665-0002-00	Bricka	Washer	



Utgåva Issue 39 - 2014		Klippaggregat 85B Reglage Redslapslyft		Mower Deck 85B Controls Lifting Device	
Pos. Fig.	Antal Q.ty	Art nr Part No	Benämning	Description	Anmärkning Notes
0	1	1134-1437-02	rödskapslyft Smst Villa	Accessory Ricing Device	
1	1	9403-0110-01	Höjdinst.Handtag Ej Kapad	Handle	
1	1	1134-1069-01	Höjdinställningshandtag	Handle	
2	1	9699-0025-02	Bricka	Washer	
2	2	1134-0240-00	Skruv	Screw	
3	1	1134-0583-00	Knopp	Knob	
3	12	9739-0831-22	Mutter	Nut	
4	2	9739-0631-22	Mutter Strålkastare	Nut Working lamp	
4	2	1134-2907-03	Pivotplatta 5-01 24	Pivoting Plate	
5	1	1111-0053-00	Fjäder	Spring	
5	2	1134-0328-04	Kåpkonsol (5-01 F24)	Casing Bracket	
6	1	1134-1889-01	Skruvögla	Eye Bolt	
6	2	1134-1833-01	Stag För Höjdinst	Stay Bar	
7	1	1134-0859-03	Svärd	Bar	
7	1	1134-1451-02	Höjdinställningsspak	Lever, Height Adjustment	
8	1	9646-0099-22	Nit Kn 8X30	Rivet	
8	1	1134-0312-04	Parallellstagsfäste	Tie Rod Bracket	
9	1	1134-0858-00	Tryckstång	Push Rod	
10	1	9675-0008-02	Starlockbricka	Starlock	
10	3	9675-0009-02	Starlockbricka	Starlock	
11	1	1134-2911-01	Låshake	Locking Pawl	
11	8	9959-0816-16	Skruv	Screw	
12	1	9675-0012-02	Starlock	Locking washer	
12	1	1134-0361-00	Fjäder	Spring	
13	2	1134-2684-01	Lager	Bearing	
13	1	1134-1450-02	Höjdinst Segment	Height Adjust Quadrant	
14	1	1134-0536-00	Lyftsegment	Locking Plate	
14	1	1134-1326-01	Reglageöra	Control Lug	
15	2	9739-1031-22	Mutter	Nut	
15	1	9646-0064-22	Nit Kn 6X18	Rivet	
16	2	9959-1020-16	Skruv	Screw	
16	1	1134-0343-00	Höjdinställningsslid	Slide	
17	2	9595-0258-00	Spännstift	Locating Pin	
17	4	9675-0012-02	Starlock	Locking washer	
18	1	1134-1604-01	Lyftarm Kpl	Trippet	
19	1	1134-1884-01	Lyftaxel	Lifting Shaft	
19	2	9665-0002-00	Bricka	Washer	
20	1	1134-1605-01	Kedja	Chain	
21	1	1134-1578-01	Fjäder	Spring	



Utgåva Issue 39 - 2014		Klippaggregat 85B Knivar		Mower Deck 85B Blades	
Pos. Fig.	Antal Q.ty	Art nr Part No	Benämning	Description	Anmärkning Notes
1	2	1134-0428-01	Lagerbox Smst Ema	Bearing Box Assy.	
2	1	9549-0019-00	Kullager	Ball Bearing	
3	1	1134-0051-05	Distans	Spacer	
4	1	9549-0020-00	Kullager	Ball Bearing	
5	1	1134-0397-01	Knivaxel	Blade Shaft	
6	1	1134-0400-01	Bricka	Washer	
7	1	1134-0428-02	Lagerbox Kpl Ema	Bearing Box Assy.	
8	1	9549-0019-00	Kullager	Ball Bearing	
9	1	1134-0051-05	Distans	Spacer	
10	1	9549-0020-00	Kullager	Ball Bearing	
11	1	1134-0397-03	Knivaxel	Blade Shaft	
12	1	1134-0400-01	Bricka	Washer	
13	13	9942-0816-16	Skruv	Screw	
14	3	1134-0323-00	Plattkil	Key	
15	1	9739-0831-22	Mutter	Nut	
19	1	1134-9003-01	Kniv	Blade	
28	1	1134-1446-01	Kåpfjäder	Spring For Casing	
29	3	9958-0820-16	Skruv	Screw	
30	4	9699-0056-02	Bricka	Washer	
31	2	1134-1285-01	Remskiva	Belt Pulley	
32	1	1134-0698-00	Spännrulle kpl	Tensioning Roller Compl	
33	1	9549-0017-00	Kullager	Ball Bearing	
34	1	9651-0035-04	Spårring Sgh 35	Circlip	
37	1	1134-9007-01	Kilrem	V-Belt	= 9585-0118-00
38	1	1134-1636-01	Remskiva	Belt Pulley	
40	1	1134-9009-01	Kilrem	V-Belt	= 9585-0052-00
42	1	9997-0820-16	Skruv	Screw	
43	1	9699-0109-02	Bricka	Washer	
44	1	1134-0325-02	Spännarm	Tensioning Arm	
45	1	1131-1684-00	Distans	Spacer	
46	3	1134-2082-01	Knivfäste	Blade Holder	
46	1	1134-9000-01	Knivfäste	Blade Holder	
47	3	1134-0323-00	Plattkil	Key	
48	6	9739-0831-22	Mutter	Nut	
49	6	9959-0830-16	Skruv	Screw	
50	3	9991-1024-19	Skruv	Screw	

code	pos.	q.ty	page				
1111-0053-00	5	1	p. 5	9549-0019-00	8	1	p. 7
1131-1684-00	45	1	p. 7	9549-0020-00	4	1	p. 7
1134-0051-05	3	1	p. 7	9549-0020-00	10	1	p. 7
1134-0051-05	9	1	p. 7	9595-0258-00	17	2	p. 5
1134-0240-00	2	2	p. 5	9598-0002-02	13	2	p. 3
1134-0240-00	11	2	p. 3	9598-0003-02	10	2	p. 3
1134-0299-00	21	6	p. 3	9646-0064-22	15	1	p. 5
1134-0304-02	20	1	p. 3	9646-0099-22	8	1	p. 5
1134-0305-00	22	3	p. 3	9651-0035-04	34	1	p. 7
1134-0312-04	8	1	p. 5	9665-0002-00	19	2	p. 5
1134-0323-00	14	3	p. 7	9665-0002-00	40	2	p. 3
1134-0323-00	47	3	p. 7	9675-0008-02	10	1	p. 5
1134-0325-02	44	1	p. 7	9675-0009-02	10	3	p. 5
1134-0328-04	5	2	p. 5	9675-0012-02	12	1	p. 5
1134-0343-00	16	1	p. 5	9675-0012-02	17	4	p. 5
1134-0361-00	12	1	p. 5	9699-0025-02	2	1	p. 5
1134-0397-01	5	1	p. 7	9699-0056-02	14	2	p. 3
1134-0397-03	11	1	p. 7	9699-0056-02	30	4	p. 7
1134-0400-01	6	1	p. 7	9699-0100-02	3	1	p. 3
1134-0400-01	12	1	p. 7	9699-0109-02	43	1	p. 7
1134-0428-01	1	2	p. 7	9739-0631-22	4	2	p. 5
1134-0428-02	7	1	p. 7	9739-0831-22	3	12	p. 5
1134-0536-00	14	1	p. 5	9739-0831-22	12	4	p. 3
1134-0583-00	3	1	p. 5	9739-0831-22	15	1	p. 7
1134-0698-00	32	1	p. 7	9739-0831-22	48	6	p. 7
1134-0858-00	9	1	p. 5	9739-1031-22	15	2	p. 5
1134-0859-03	7	1	p. 5	9942-0816-16	1	2	p. 3
1134-1069-01	1	1	p. 5	9942-0816-16	13	13	p. 7
1134-1285-01	31	2	p. 7	9958-0820-16	29	3	p. 7
1134-1326-01	14	1	p. 5	9959-0816-16	11	8	p. 5
1134-1437-02	0	1	p. 5	9959-0830-16	49	6	p. 7
1134-1446-01	28	1	p. 7	9959-1020-16	16	2	p. 5
1134-1448-01	5	1	p. 3	9991-1024-19	50	3	p. 7
1134-1450-02	13	1	p. 5	9997-0820-16	42	1	p. 7
1134-1451-02	7	1	p. 5	9997-1055-12	25	2	p. 3
1134-1578-01	21	1	p. 5				
1134-1580-01	18	2	p. 3				
1134-1585-01	16	2	p. 3				
1134-1596-01	4	1	p. 3				
1134-1604-01	18	1	p. 5				
1134-1605-01	20	1	p. 5				
1134-1614-02	8	1	p. 3				
1134-1616-01	15	2	p. 3				
1134-1630-01	23	4	p. 3				
1134-1636-01	38	1	p. 7				
1134-1726-01	24	2	p. 3				
1134-1761-03	28	1	p. 3				
1134-1761-04	6	1	p. 3				
1134-1833-01	6	2	p. 5				
1134-1884-01	19	1	p. 5				
1134-1889-01	2	1	p. 3				
1134-1889-01	6	1	p. 5				
1134-2082-01	46	3	p. 7				
1134-2349-01	19	2	p. 3				
1134-2684-01	13	2	p. 5				
1134-2907-03	4	2	p. 5				
1134-2911-01	11	1	p. 5				
1134-9000-01	46	1	p. 7				
1134-9003-01	19	1	p. 7				
1134-9007-01	37	1	p. 7				
1134-9009-01	40	1	p. 7				
1134-9024-01	7	2	p. 3				
1134-9024-01	29	2	p. 3				
9403-0110-01	1	1	p. 5				
9549-0017-00	33	1	p. 7				
9549-0019-00	2	1	p. 7				