

STIGA

Reservdelskatalog Parts Catalogue

VILLA 85M

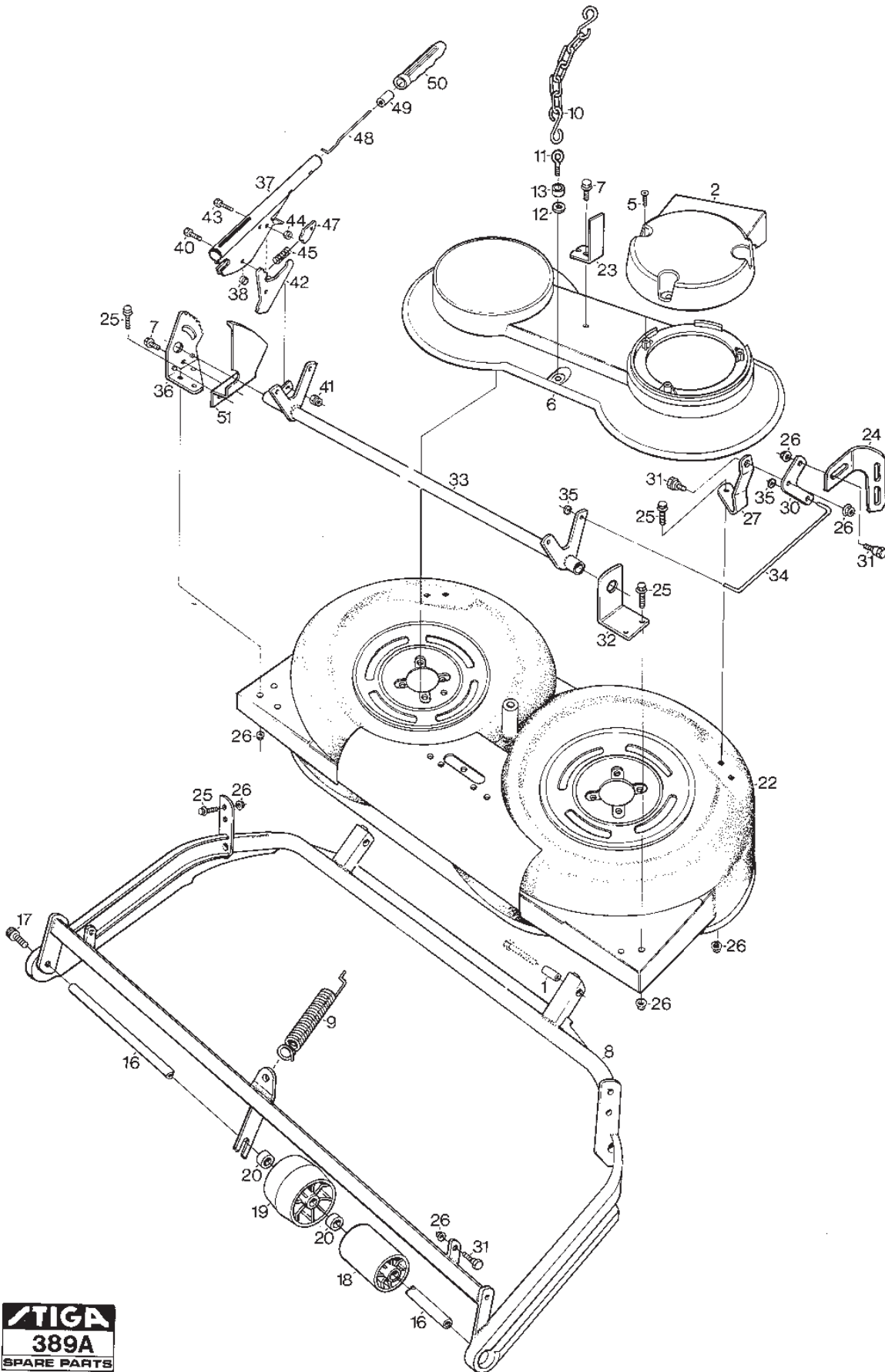
13-2916-14 - Season 1993

- Use GLOBAL GARDEN PRODUCT Genuine Spare Parts specified in the parts list for repair and/or replacement.
 - The contents described in the parts list may change due to improvement.
 - The drawings of the spare parts are only indicative and might not represent the part in question exactly.
 - The indications "right" - "left" - "front" - "rear" refer to the position of the operator when using the machine.
- When placing orders of parts for repair and/or replacement, make sure that the illustrated parts list is the one applying to the machine's year of manufacture, as shown on the identification plate attached to the machine.

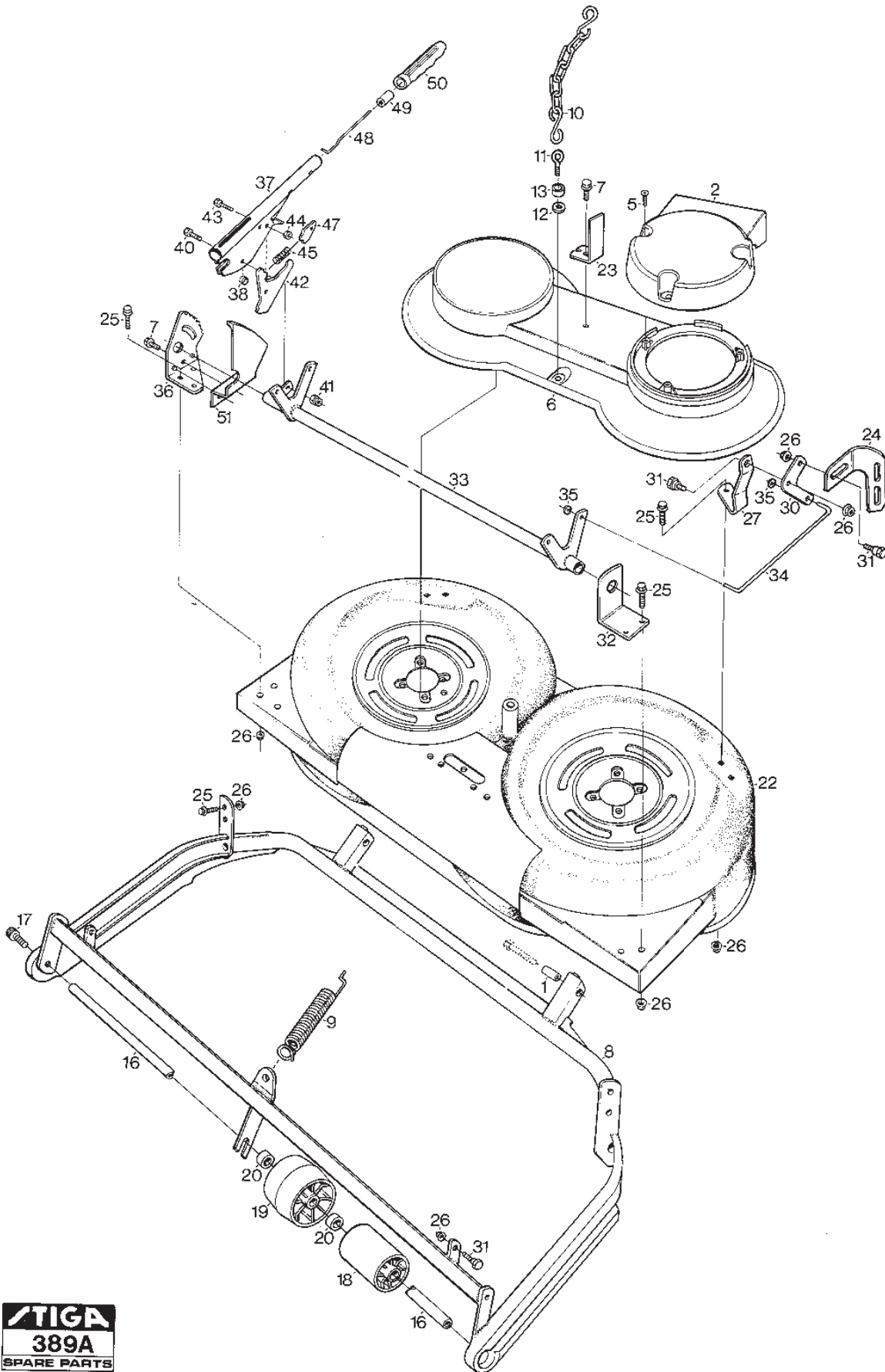
© Copyright 2014 Global Garden Products

All rights reserved. No part of this material may be reproduced or transmitted, in any form or by any means, electronic or mechanical, including photocopying, recording or by any information storage and retrieval system, without permission in writing from GLOBAL GARDEN PRODUCTS.

www.stiga.com

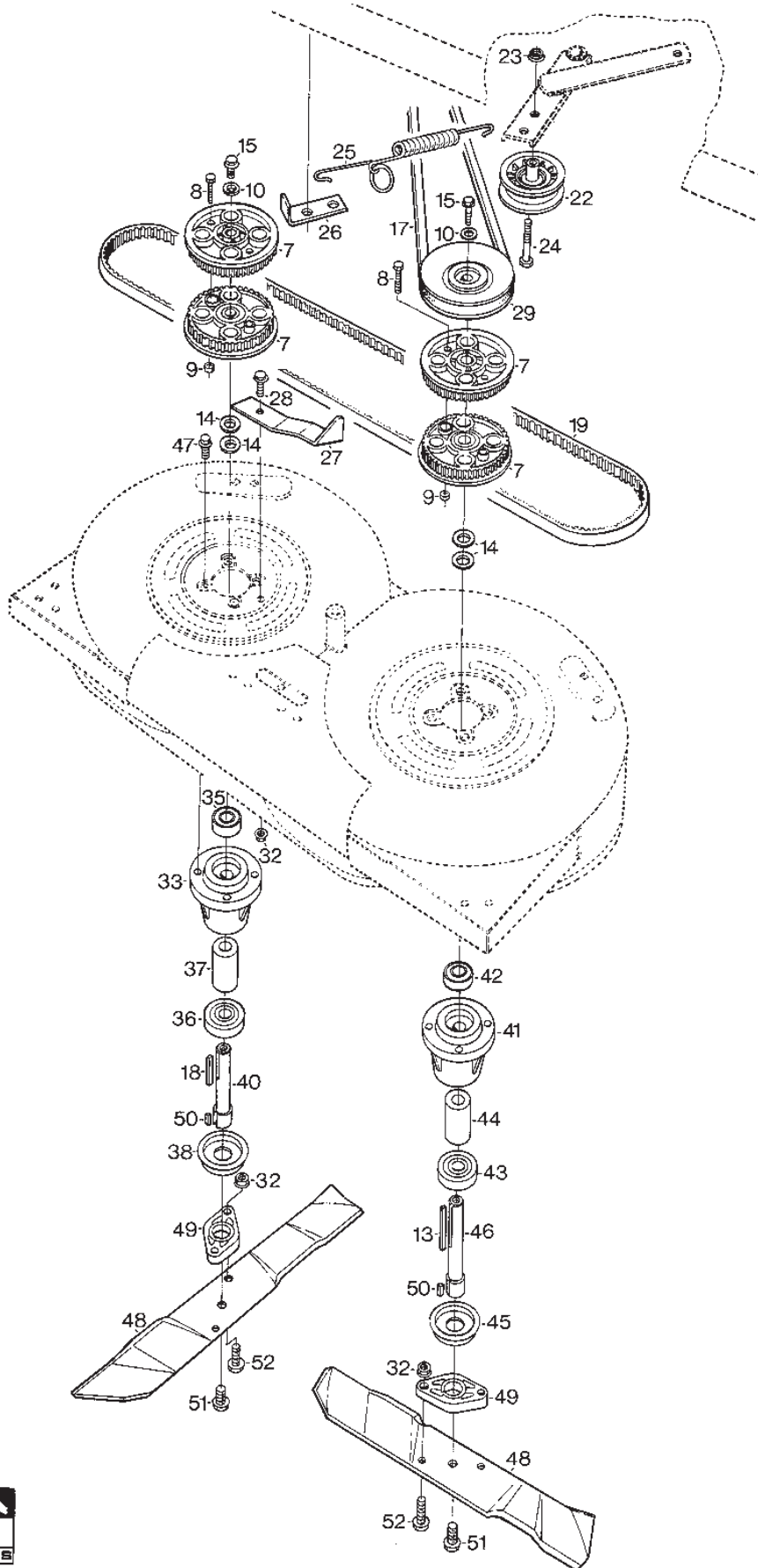


Utgåva Issue 37 - 2014		Klippaggregat 85M Ram Reglage		Mower Deck 85M Frame Controls	
Pos. Fig.	Antal Q.ty	Art nr Part No	Benämning	Description	Anmärkning Notes
35	4	9675-0012-02	Starlock	Locking washer	
0	1	13-2916-13	Klippaggregat kpl	Mowing unit assy	
0	1	13-2916-14	Klippaggregat kpl	Mowing deck assy	
0	1	13-2916-15	Klippaggregat kpl	Mowing unit assy	
0	1	13-2938-15	Klippaggregat kpl	Mowing unit assy	ANSI
31	6	1134-0240-00	Skruv	Screw	
16	1	1134-0304-05	Axel F. Stödrullar	Shaft	
10	1	1134-1605-02	Kedja	Chain	
34	2	1134-1833-02	Stag För Höjdinst	Rod	
11	1	1134-1889-01	Skruvögla	Eye Bolt	
19	2	1134-2405-01	Stödhjul	Casing Wheel	
18	8	1134-2406-01	Rulle 5-01	Guard Roller	
32	1	1134-2411-01	Fäste	Bracket	
38	1	1134-2427-01	Distans	Spacer	
30	2	1134-2907-03	Pivotplatta 5-01 24	Pivoting Plate	
47	1	1134-3009-01	Låskil	Locking Key	
42	1	1134-3010-01	Låssegment	Locking Quadrant	
36	1	1134-3011-01	Höjdsegment	Height Adjusting Plate	
33	1	1134-3013-01	Axel	Shaft	
24	1	1134-3015-01	Justerstag-Hö	Adjusting Bracket-Rh	
24	1	1134-3015-01	Justerstag-Hö	Adjusting Bracket-Rh	
24	1	1134-3015-01	Justerstag-Hö	Adjusting Bracket-Rh	Ej ill/not ill.
24	1	1134-3015-02	Justerstag-Vä	Adjusting Bracket-Lh	
24	1	1134-3015-02	Justerstag-Vä	Adjusting Bracket-Lh	
24	1	1134-3015-02	Justerstag-Vä	Adjusting Bracket-Lh	
27	1	1134-3016-01	Fäste	Bracket	
27	1	1134-3016-01	Fäste	Bracket	
27	1	1134-3016-01	Fäste	Bracket	Ej ill/not ill.
27	1	1134-3016-02	Fäste	Bracket	
27	1	1134-3016-02	Fäste	Bracket	
8	1	1134-3017-01	Ram Kpl (Gul) 1-00 L01A	Frame (Yellow)	
22	1	1134-3025-01	Kåpa Kpl (Gul) 1-00 01	Casing (Yellow)	
51	1	1134-3026-01	Höjdivisningsplåt	Pointer	
51	1	1134-3026-02	Höjdivisningsplåt	Height Adjusting Plate	
23	1	1134-3029-01	Höjdstopp 5-01 24	Stop Bracket	
1	2	1134-3031-01	Distans	Spacer	
13	1	1134-3033-01	Slang	Grommet	
6	1	1134-3037-01	Transmissionskåpa5-01	Transmission Cover	
2	1	1134-3038-01	Remskydd	Belt Guard	
37	1	1134-3039-01	Höjdinställningsspak	Lever, Height Adjustment	
48	1	1134-3041-01	Reglagestång	Control Rod	
9	1	1134-3042-01	Fjäder	Spring	
20	4	1134-3047-01	Distans	Spacer	
49	1	1134-3051-01	Låsratt	Locking Knob	
45	1	1134-3262-01	Fjäder	Spring	
50	1	9406-0006-00	Handtag 01.100.026 Faca	Handle	
12	1	9699-0100-02	Bricka	Flat washer	
26	15	9739-0831-22	Mutter	Nut	
26	19	9739-0831-22	Mutter	Nut	



STIGA
389A
SPARE PARTS

Utgåva Issue 37 - 2014		Klippaggregat 85M Ram Reglage		Mower Deck 85M Frame Controls	
Pos. Fig.	Antal Q.ty	Art nr Part No	Benämning	Description	Anmärkning Notes
44	1	9747-0631-02	Mutter Låsmutter	Nut	
41	1	9747-0831-02	Mutter Låsmutter	Nut	
5	3	9836-9512-12	Skruv	Screw	
17	2	9935-1020-16	Skruv	Screw	
7	2	9942-0816-16	Skruv	Screw	
25	9	9959-0820-16	Skruv	Screw	
25	13	9959-0820-16	Skruv	Screw	
43	1	9997-0620-16	Skruv	Screw	
40	1	9997-0825-16	Skruv	Screw	



Utgåva Issue 37 - 2014		Klippaggregat 85M Knivar		Mower Deck 85M Blades	
Pos. Fig.	Antal Q.ty	Art nr Part No	Benämning	Description	Anmärkning Notes
0	1	13-2916-13	Klippaggregat kpl	Mowing unit assy	
0	1	13-2916-14	Klippaggregat kpl	Mowing deck assy	
37	1	1134-0051-05	Distans	Spacer	
44	1	1134-0051-05	Distans	Spacer	
50	2	1134-0323-00	Plattkil	Key	
38	1	1134-0400-01	Bricka	Washer	
45	1	1134-0400-01	Bricka	Washer	
25	1	1134-1322-01	Fjäder	Tensioning Wheel Spring	
49	2	1134-2082-01	Knivfäste	Blade Holder	
27	1	1134-3014-01	Remspännare 5-01 24	Belt Tensioner	
26	1	1134-3022-01	Fäste	Bracket	
29	1	1134-3035-01	Remskiva	Belt Pulley	
22	1	1134-3043-01	Spännrulle	Tension Roller	
7	2	1134-3679-01	Kuggremskiva	Toothed Belt Pulley	
40	1	1134-3695-01	Knivaxel	Blade Shaft	
46	1	1134-3695-02	Knivaxel	Blade Shaft	
33	1	1134-3696-01	Lagerbox Kpl. Ema	Bearing Box Assy	
41	1	1134-3696-02	Lagerbox Kpl. Ema	Bearing Box Assy	
19	1	1134-9030-01	Kuggrem	Toothed Belt	
17	1	1134-9031-01	Kilrem	V-Belt	
48	2	1134-9038-01	Mulcherkniv	Mulching Blade	
35	1	9549-0019-00	Kullager	Ball Bearing	
42	1	9549-0019-00	Kullager	Ball Bearing	
36	1	9549-0020-00	Kullager	Ball Bearing	
43	1	9549-0020-00	Kullager	Ball Bearing	
18	1	9600-0149-00	Kil	Key	
13	1	9600-0150-00	Plattkil	Key	
10	2	9699-0056-02	Bricka	Washer	
14	4	9699-0104-02	Bricka	Washer	
32	5	9739-0831-22	Mutter	Nut	
23	1	9739-1031-22	Mutter	Nut	
9	2	9747-0631-02	Mutter Låsmutter	Nut	
47	8	9942-0816-16	Skruv	Screw	
15	2	9958-0820-16	Skruv	Screw	
28	1	9959-0820-16	Skruv	Screw	
52	4	9959-0830-16	Skruv	Screw	
51	2	9991-1024-19	Skruv	Screw	
8	2	9997-0625-16	Skruv	Screw	
24	1	9997-1050-16	Skruv	Screw	

code	pos.	q.ty	page				
13-2916-13	0	1	p. 3	9549-0019-00	35	1	p. 7
13-2916-13	0	1	p. 7	9549-0019-00	42	1	p. 7
13-2916-14	0	1	p. 3	9549-0020-00	36	1	p. 7
13-2916-14	0	1	p. 7	9549-0020-00	43	1	p. 7
13-2916-15	0	1	p. 3	9600-0149-00	18	1	p. 7
13-2938-15	0	1	p. 3	9600-0150-00	13	1	p. 7
1134-0051-05	37	1	p. 7	9675-0012-02	35	4	p. 3
1134-0051-05	44	1	p. 7	9699-0056-02	10	2	p. 7
1134-0240-00	31	6	p. 3	9699-0100-02	12	1	p. 3
1134-0304-05	16	1	p. 3	9699-0104-02	14	4	p. 7
1134-0323-00	50	2	p. 7	9739-0831-22	26	15	p. 3
1134-0400-01	38	1	p. 7	9739-0831-22	26	19	p. 3
1134-0400-01	45	1	p. 7	9739-0831-22	32	5	p. 7
1134-1322-01	25	1	p. 7	9739-1031-22	23	1	p. 7
1134-1605-02	10	1	p. 3	9747-0631-02	9	2	p. 7
1134-1833-02	34	2	p. 3	9747-0631-02	44	1	p. 5
1134-1889-01	11	1	p. 3	9747-0831-02	41	1	p. 5
1134-2082-01	49	2	p. 7	9836-9512-12	5	3	p. 5
1134-2405-01	19	2	p. 3	9935-1020-16	17	2	p. 5
1134-2406-01	18	8	p. 3	9942-0816-16	7	2	p. 5
1134-2411-01	32	1	p. 3	9942-0816-16	47	8	p. 7
1134-2427-01	38	1	p. 3	9958-0820-16	15	2	p. 7
1134-2907-03	30	2	p. 3	9959-0820-16	25	9	p. 5
1134-3009-01	47	1	p. 3	9959-0820-16	25	13	p. 5
1134-3010-01	42	1	p. 3	9959-0820-16	28	1	p. 7
1134-3011-01	36	1	p. 3	9959-0830-16	52	4	p. 7
1134-3013-01	33	1	p. 3	9991-1024-19	51	2	p. 7
1134-3014-01	27	1	p. 7	9997-0620-16	43	1	p. 5
1134-3015-01	24	1	p. 3	9997-0625-16	8	2	p. 7
1134-3015-01	24	1	p. 3	9997-0825-16	40	1	p. 5
1134-3015-01	24	1	p. 3	9997-1050-16	24	1	p. 7
1134-3015-02	24	1	p. 3				
1134-3015-02	24	1	p. 3				
1134-3015-02	24	1	p. 3				
1134-3015-02	24	1	p. 3				
1134-3016-01	27	1	p. 3				
1134-3016-01	27	1	p. 3				
1134-3016-01	27	1	p. 3				
1134-3016-01	27	1	p. 3				
1134-3016-02	27	1	p. 3				
1134-3016-02	27	1	p. 3				
1134-3016-02	27	1	p. 3				
1134-3017-01	8	1	p. 3				
1134-3022-01	26	1	p. 7				
1134-3025-01	22	1	p. 3				
1134-3026-01	51	1	p. 3				
1134-3026-02	51	1	p. 3				
1134-3029-01	23	1	p. 3				
1134-3031-01	1	2	p. 3				
1134-3033-01	13	1	p. 3				
1134-3035-01	29	1	p. 7				
1134-3037-01	6	1	p. 3				
1134-3038-01	2	1	p. 3				
1134-3039-01	37	1	p. 3				
1134-3041-01	48	1	p. 3				
1134-3042-01	9	1	p. 3				
1134-3043-01	22	1	p. 7				
1134-3047-01	20	4	p. 3				
1134-3051-01	49	1	p. 3				
1134-3262-01	45	1	p. 3				
1134-3679-01	7	2	p. 7				
1134-3695-01	40	1	p. 7				
1134-3695-02	46	1	p. 7				
1134-3696-01	33	1	p. 7				
1134-3696-02	41	1	p. 7				
1134-9030-01	19	1	p. 7				
1134-9031-01	17	1	p. 7				
1134-9038-01	48	2	p. 7				
9406-0006-00	50	1	p. 3				