



Reservdelskatalog Parts Catalogue

VILLA 85M

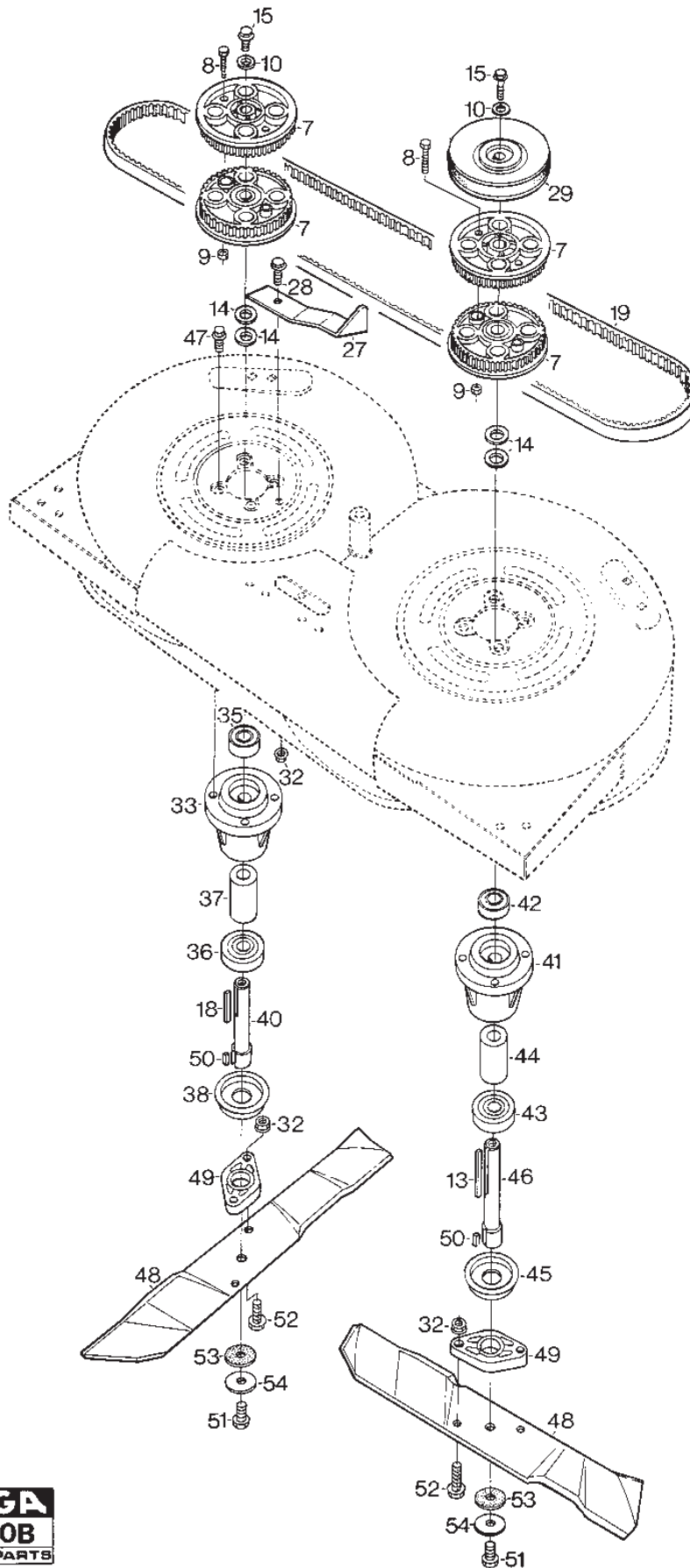
13-2916-16 - Season 1995

- Use GLOBAL GARDEN PRODUCT Genuine Spare Parts specified in the parts list for repair and/or replacement.
 - The contents described in the parts list may change due to improvement.
 - The drawings of the spare parts are only indicative and might not represent the part in question exactly.
 - The indications "right" - "left" - "front" - "rear" refer to the position of the operator when using the machine.
- When placing orders of parts for repair and/or replacement, make sure that the illustrated parts list is the one applying to the machine's year of manufacture, as shown on the identification plate attached to the machine.

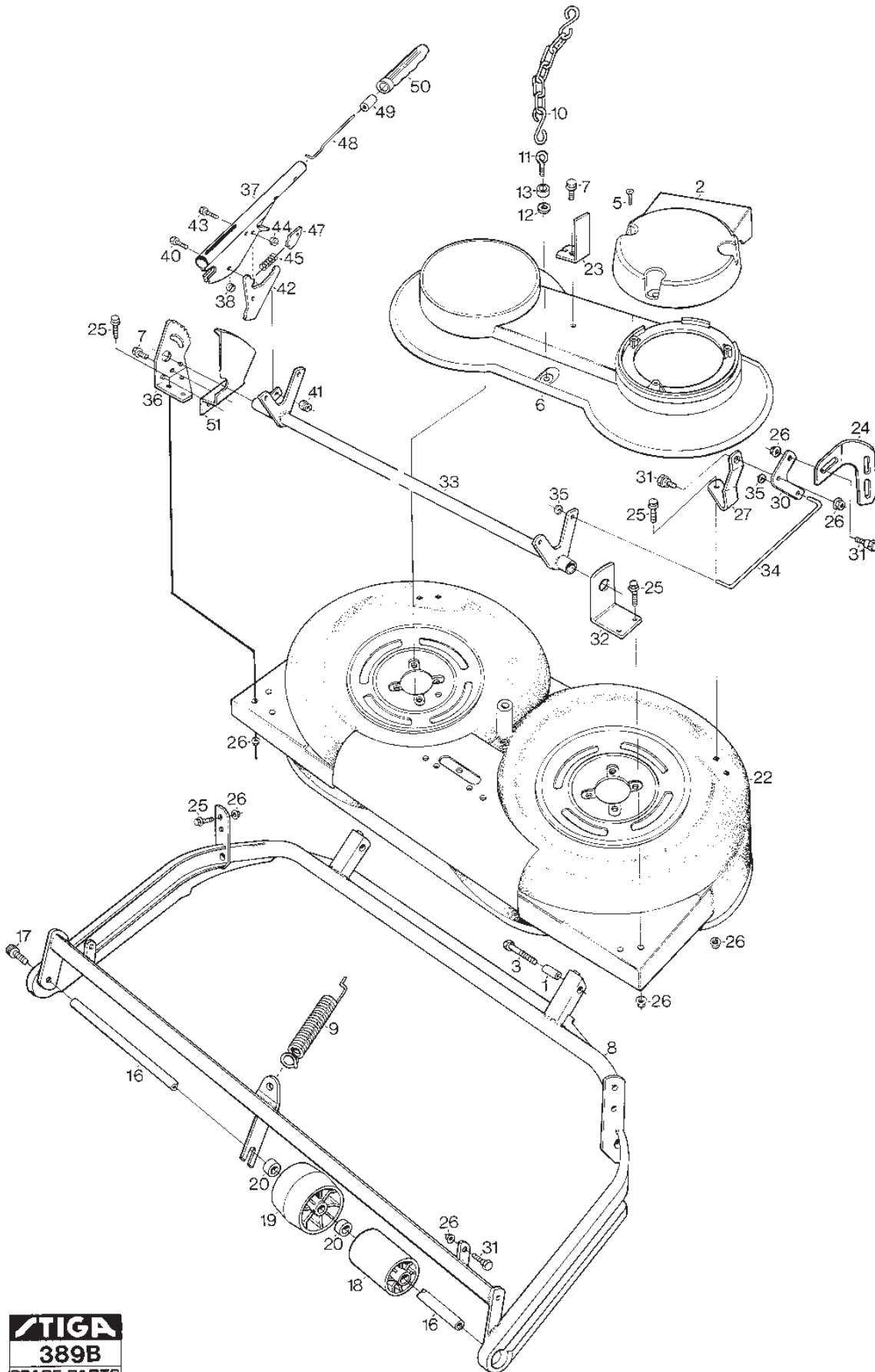
© Copyright 2014 Global Garden Products

All rights reserved. No part of this material may be reproduced or transmitted, in any form or by any means, electronic or mechanical, including photocopying, recording or by any information storage and retrieval system, without permission in writing from GLOBAL GARDEN PRODUCTS.

www.stiga.com



Utgåva Issue 43 - 2014		Klippaggregat 85M Knivar		Mower Deck 85M Blades	
Pos. Fig.	Antal Quantity	Art nr Part No	Benämning	Description	Anmärkning Notes
7	2	1134-3679-01	Kuggremskiva	Toothed Belt Pulley	
8	2	9997-0625-16	Skruv	Screw	
9	2	9747-0631-02	Mutter Låsmutter	Nut	
10	2	9699-0056-02	Bricka	Washer	
13	1	9600-0150-00	Plattkil	Key	
14	4	9699-0104-02	Bricka	Washer	
15	2	9958-0820-16	Skruv	Screw	
18	1	9600-0149-00	Kil	Key	
19	1	1134-9030-01	Kuggrem	Toothed Belt	=9585-0071-00
27	1	1134-3014-01	Remspännare 5-01 24	Belt Tensioner	
28	1	9959-0820-16	Skruv	Screw	
28	1	9997-0825-16	Skruv	Screw	
29	1	1134-3035-01	Remskiva	Belt Pulley	
32	5	9739-0831-22	Mutter	Nut	
33	1	1134-3696-01	Lagerbox Kpl. Ema	Bearing Box Assy	
35	1	9549-0019-00	Kullager	Ball Bearing	
36	1	9549-0020-00	Kullager	Ball Bearing	
37	1	1134-0051-05	Distans	Spacer	
38	1	1134-0400-01	Bricka	Washer	
40	1	1134-3695-01	Knivaxel	Blade Shaft	
41	1	1134-3696-02	Lagerbox Kpl. Ema	Bearing Box Assy	
42	1	9549-0019-00	Kullager	Ball Bearing	
43	1	9549-0020-00	Kullager	Ball Bearing	
44	1	1134-0051-05	Distans	Spacer	
45	1	1134-0400-01	Bricka	Washer	
46	1	1134-3695-02	Knivaxel	Blade Shaft	
47	8	9942-0816-16	Skruv	Screw	
48	2	1134-9038-01	Mulcherkniv	Mulching Blade	
49	2	1134-2082-01	Knivfäste	Blade Holder	
50	2	1134-0323-00	Plattkil	Key	
51	2	9991-1024-19	Skruv	Screw	
52	4	9959-0830-16	Skruv	Screw	
53	2	1134-3544-01	Bricka	Fibre Washer	
54	2	9699-0109-02	Bricka	Washer	



Utgåva Issue 43 - 2014		Klippaggregat 85M Ram Reglage		Mower Deck 85M Frame Controls	
Pos. Fig.	Antal Quantity	Art nr Part No	Benämning	Description	Anmärkning Notes
1	2	1134-3031-01	Distans	Spacer	
2	1	1134-3038-01	Remskydd	Belt Guard	
3	2	9997-1055-12	Skruv	Screw	
5	3	9836-9512-12	Skruv	Screw	
6	1	1134-3037-01	Transmissionskåpa5-01	Transmission Cover	
7	2	9942-0816-16	Skruv	Screw	
8	1	1134-3017-01	Ram Kpl (Gul) 1-00 L01A	Frame (Yellow)	
9	1	1134-3042-01	Fjäder	Spring	
10	1	1134-1605-02	Kedja	Chain	
11	1	1134-1889-01	Skruvögla	Eye Bolt	
12	1	9699-0100-02	Bricka	Flat washer	
13	1	1134-3033-01	Slang	Grommet	
16	1	1134-0304-05	Axel F. Stödrullar	Shaft	
17	2	9935-1020-16	Skruv	Screw	
18	8	1134-2406-01	Rulle	Guard Roller	
19	2	1134-2405-01	Stödhjul	Casing Wheel	
20	2	9699-0104-02	Bricka	Washer	Shims-ej ill/not ill.
20	4	1134-3047-01	Distans	Spacer	
22	1	1134-3025-01	Kåpa Kpl (Gul) 1-00 01	Casing (Yellow)	
23	1	1134-3029-01	Höjdstopp 5-01 24	Stop Bracket	
24	1	1134-3015-01	Justerstag-Hö	Adjusting Bracket-Rh	Ej ill/not ill.
24	1	1134-3015-01	Justerstag-Hö	Adjusting Bracket-Rh	
24	1	1134-3015-02	Justerstag-Vä	Adjusting Bracket-Lh	
25	13	9959-0820-16	Skruv	Screw	
26	19	9739-0831-22	Mutter	Nut	
27	1	1134-3016-01	Fäste	Bracket	Ej ill/not ill.
27	1	1134-3016-01	Fäste	Bracket	
27	1	1134-3016-02	Fäste	Bracket	
30	2	1134-2907-03	Pivotplatta 5-01 24	Pivoting Plate	
31	6	1134-0240-00	Skruv	Screw	
32	1	1134-2411-01	Fäste	Bracket	
33	1	1134-3013-01	Axel	Shaft	
34	2	1134-1833-02	Stag För Höjdinst	Rod	
35	4	9675-0012-02	Starlock	Locking washer	
36	1	1134-3011-01	Höjdsegment	Height Adjusting Plate	
37	1	1134-3039-01	Höjdinställningsspak	Lever, Height Adjustment	
38	1	1134-2427-01	Distans	Spacer	
40	1	9997-0825-16	Skruv	Screw	
41	1	9747-0831-02	Mutter Låsmutter	Nut	
42	1	1134-3010-01	Låssegment	Locking Quadrant	
43	1	9997-0620-16	Skruv	Screw	
44	1	9747-0631-02	Mutter Låsmutter	Nut	
45	1	1134-3262-01	Fjäder	Spring	
47	1	1134-3009-01	Låskil	Locking Key	
48	1	1134-3041-01	Reglagestång	Control Rod	
49	1	1134-3051-01	Låsratt	Locking Knob	
50	1	9406-0006-00	Handtag 01.100.026 Faca	Handle	
51	1	1134-3026-02	Höjdivisningsplåt	Height Adjusting Plate	

code	pos.	q.ty	page				
1134-0051-05	37	1	p. 3	9747-0631-02	44	1	p. 5
1134-0051-05	44	1	p. 3	9747-0831-02	41	1	p. 5
1134-0240-00	31	6	p. 5	9836-9512-12	5	3	p. 5
1134-0304-05	16	1	p. 5	9935-1020-16	17	2	p. 5
1134-0323-00	50	2	p. 3	9942-0816-16	7	2	p. 5
1134-0400-01	38	1	p. 3	9942-0816-16	47	8	p. 3
1134-0400-01	45	1	p. 3	9958-0820-16	15	2	p. 3
1134-1605-02	10	1	p. 5	9959-0820-16	25	13	p. 5
1134-1833-02	34	2	p. 5	9959-0820-16	28	1	p. 3
1134-1889-01	11	1	p. 5	9959-0830-16	52	4	p. 3
1134-2082-01	49	2	p. 3	9991-1024-19	51	2	p. 3
1134-2405-01	19	2	p. 5	9997-0620-16	43	1	p. 5
1134-2406-01	18	8	p. 5	9997-0625-16	8	2	p. 3
1134-2411-01	32	1	p. 5	9997-0825-16	28	1	p. 3
1134-2427-01	38	1	p. 5	9997-0825-16	40	1	p. 5
1134-2907-03	30	2	p. 5	9997-1055-12	3	2	p. 5
1134-3009-01	47	1	p. 5				
1134-3010-01	42	1	p. 5				
1134-3011-01	36	1	p. 5				
1134-3013-01	33	1	p. 5				
1134-3014-01	27	1	p. 3				
1134-3015-01	24	1	p. 5				
1134-3015-01	24	1	p. 5				
1134-3015-02	24	1	p. 5				
1134-3016-01	27	1	p. 5				
1134-3016-01	27	1	p. 5				
1134-3016-02	27	1	p. 5				
1134-3017-01	8	1	p. 5				
1134-3025-01	22	1	p. 5				
1134-3026-02	51	1	p. 5				
1134-3029-01	23	1	p. 5				
1134-3031-01	1	2	p. 5				
1134-3033-01	13	1	p. 5				
1134-3035-01	29	1	p. 3				
1134-3037-01	6	1	p. 5				
1134-3038-01	2	1	p. 5				
1134-3039-01	37	1	p. 5				
1134-3041-01	48	1	p. 5				
1134-3042-01	9	1	p. 5				
1134-3047-01	20	4	p. 5				
1134-3051-01	49	1	p. 5				
1134-3262-01	45	1	p. 5				
1134-3544-01	53	2	p. 3				
1134-3679-01	7	2	p. 3				
1134-3695-01	40	1	p. 3				
1134-3695-02	46	1	p. 3				
1134-3696-01	33	1	p. 3				
1134-3696-02	41	1	p. 3				
1134-9030-01	19	1	p. 3				
1134-9038-01	48	2	p. 3				
9406-0006-00	50	1	p. 5				
9549-0019-00	35	1	p. 3				
9549-0019-00	42	1	p. 3				
9549-0020-00	36	1	p. 3				
9549-0020-00	43	1	p. 3				
9600-0149-00	18	1	p. 3				
9600-0150-00	13	1	p. 3				
9675-0012-02	35	4	p. 5				
9699-0056-02	10	2	p. 3				
9699-0100-02	12	1	p. 5				
9699-0104-02	14	4	p. 3				
9699-0104-02	20	2	p. 5				
9699-0109-02	54	2	p. 3				
9739-0831-22	26	19	p. 5				
9739-0831-22	32	5	p. 3				
9747-0631-02	9	2	p. 3				