

# STIGA

## **Reservdelskatalog Parts Catalogue**

### **VILLA 85M**

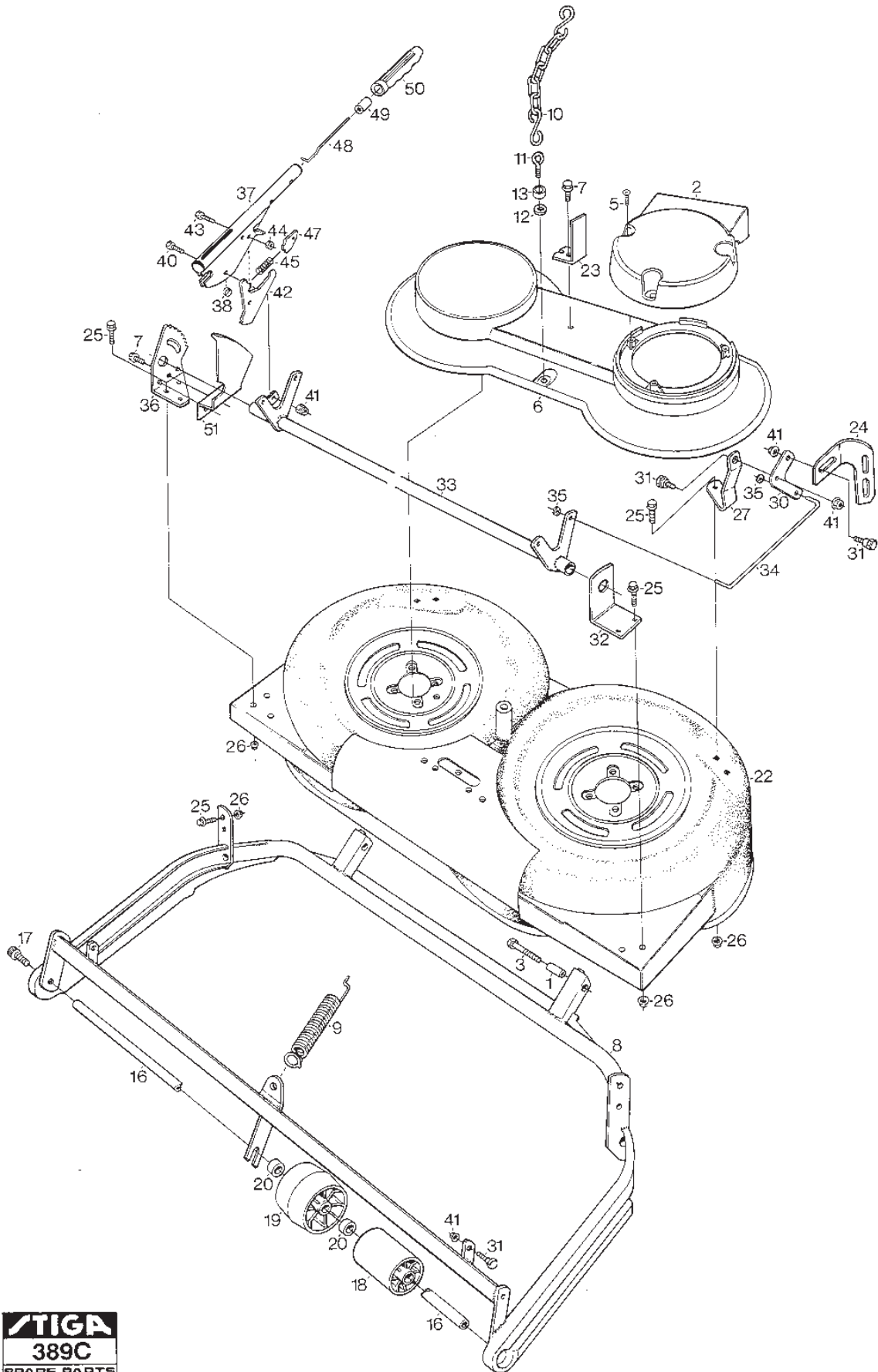
**13-2916-21 - Season 1998**

- Use GLOBAL GARDEN PRODUCT Genuine Spare Parts specified in the parts list for repair and/or replacement.
  - The contents described in the parts list may change due to improvement.
  - The drawings of the spare parts are only indicative and might not represent the part in question exactly.
  - The indications "right" - "left" - "front" - "rear" refer to the position of the operator when using the machine.
- When placing orders of parts for repair and/or replacement, make sure that the illustrated parts list is the one applying to the machine's year of manufacture, as shown on the identification plate attached to the machine.

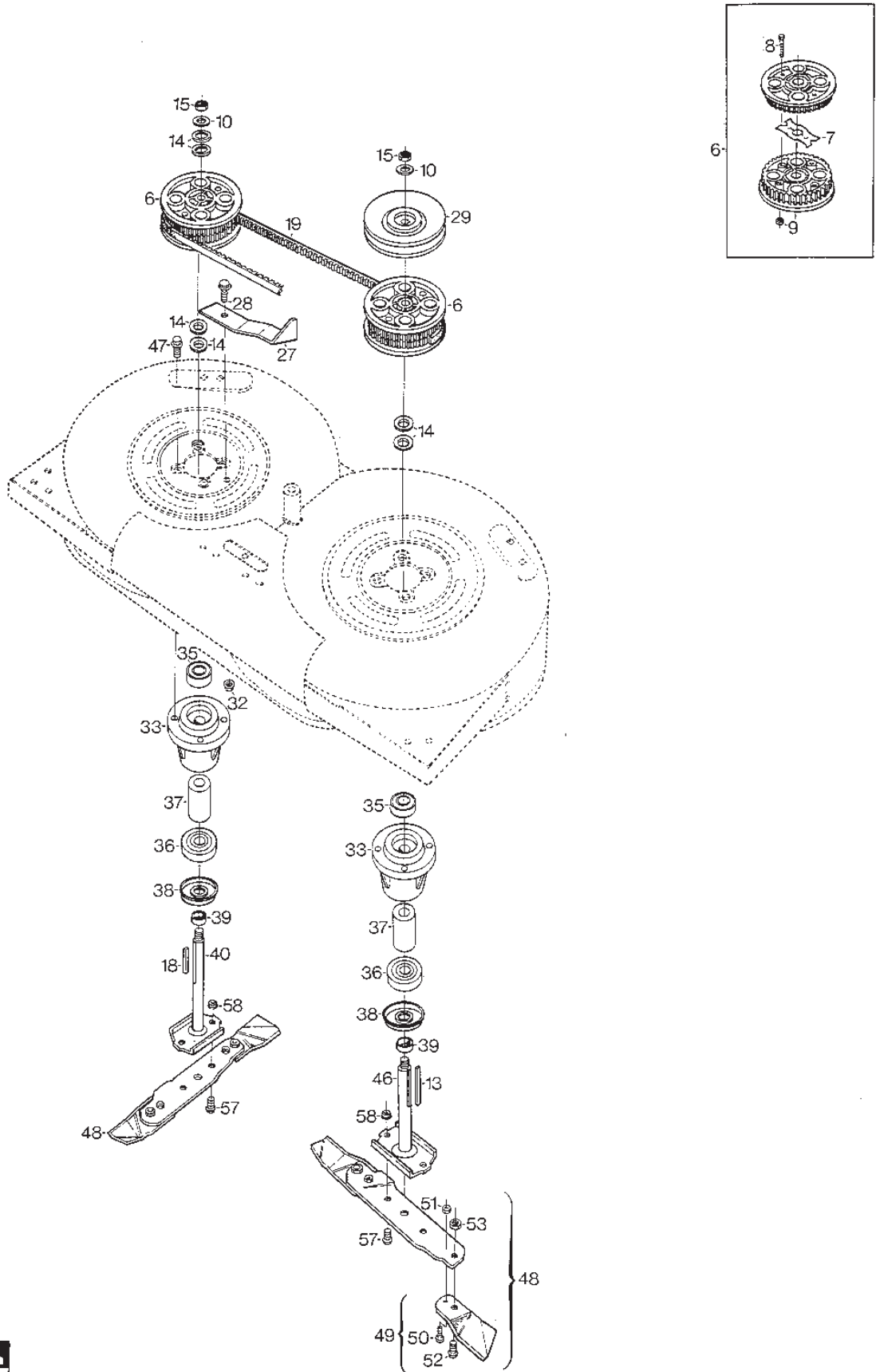
© Copyright 2014 Global Garden Products

All rights reserved. No part of this material may be reproduced or transmitted, in any form or by any means, electronic or mechanical, including photocopying, recording or by any information storage and retrieval system, without permission in writing from GLOBAL GARDEN PRODUCTS.

[www.stiga.com](http://www.stiga.com)



Utgåva Issue 46 - 2014		Klippaggregat 85M Ram Reglage		Mower Deck 85M Frame Controls	
Pos. Fig.	Antal Quantity	Art nr Part No	Benämning	Description	Anmärkning Notes
1	2	1134-3031-01	Distans	Spacer	
2	1	1134-3038-01	Remskydd	Belt Guard	
3	2	9997-1055-12	Skruv	Screw	
5	3	9836-9512-12	Skruv	Screw	
6	1	1134-3037-01	Transmissionskapa5-01	Transmission Cover	
7	2	9942-0816-16	Skruv	Screw	
7	2	9945-0816-16	Skruv	Screw	
8	1	1134-3017-01	Ram Kpl (Gul) 1-00 L01A	Frame (Yellow)	
9	1	1134-3042-01	Fjäder	Spring	
10	1	1134-1605-02	Kedja	Chain	
11	1	1134-1889-01	Skruvögla	Eye Bolt	
12	1	9699-0100-02	Bricka	Flat washer	
13	1	1134-3033-01	Slang	Grommet	
16	1	1134-0304-05	Axel F. Stödrullar	Shaft	
17	2	9935-1020-16	Skruv	Screw	
18	8	1134-2406-01	Rulle	Guard Roller	
19	2	1134-2405-01	Stödhjul	Casing Wheel	
20	2	9699-0104-02	Bricka	Washer	Shims-ej ill/not ill.
20	4	1134-3047-01	Distans	Spacer	
22	1	1134-3025-01	Kapa Kpl (Gul) 1-00 01	Casing (Yellow)	
23	1	1134-3029-01	Höjdstopp 5-01 24	Stop Bracket	
24	1	1134-3015-01	Justerstag-Hö	Adjusting Bracket-Rh	Ej ill/not ill.
24	1	1134-3015-02	Justerstag-Vä	Adjusting Bracket-Lh	
25	13	9959-0820-16	Skruv	Screw	
26	13	9739-0831-22	Mutter	Nut	
27	1	1134-3016-01	Fäste	Bracket	Ej ill/not ill.
27	1	1134-3016-02	Fäste	Bracket	
30	2	1134-2907-03	Pivotplatta 5-01 24	Pivoting Plate	
31	6	1134-0240-00	Skruv	Screw	
32	1	1134-2411-01	Fäste	Bracket	
33	1	1134-3013-01	Axel	Shaft	
34	2	1134-1833-02	Stag För Höjdinst	Rod	
35	4	9675-0012-02	Starlock	Locking washer	
36	1	1134-3011-01	Höjdsegment	Height Adjusting Plate	
37	1	1134-3039-01	Höjdinställningsspak	Lever, Height Adjustment	
38	1	1134-2427-01	Distans	Spacer	
40	1	9997-0825-16	Skruv	Screw	
41	7	9747-0831-02	Mutter   Lasmutter	Nut	
42	1	1134-3010-01	Lassegment	Locking Quadrant	
43	1	9997-0620-16	Skruv	Screw	
44	1	9747-0631-02	Mutter   Lasmutter	Nut	
45	1	1134-3262-01	Fjäder	Spring	
47	1	1134-3009-01	Laskil	Locking Key	
48	1	1134-3041-01	Reglagestang	Control Rod	
49	1	1134-3051-01	Lasratt	Locking Knob	
50	1	9406-0006-00	Handtag 01.100.026 Faca	Handle	
51	1	1134-3026-02	Höjdvisningsplat	Height Adjusting Plate	
99	1	9402-3203-00	Dekal	Warning Label W.Symbols	Ej ill/not ill.



Utgåva Issue 46 - 2014		Klippaggregat 85M Knivar		Mower Deck 85M Blades	
Pos. Fig.	Antal Quantity	Art nr Part No	Benämning	Description	Anmärkning Notes
6	2	1134-3679-01	Kuggremskiva	Toothed Belt Pulley	
7	1	1134-3597-01	Medbringare	Reinforcement	
8	2	9997-0625-16	Skruv	Screw	
9	2	9747-0631-02	Mutter   Lasmutter	Nut	
10	2	9699-0030-02	Bricka	Washer	
13	1	9600-0150-03	Plattkil	Key	
14	6	9699-0104-02	Bricka	Washer	
15	2	9712-1031-02	Lasmutter	Nut	
18	1	9600-0150-02	Plattkil	Key	
19	1	1134-9030-01	Kuggrem	Toothed Belt	= 9585-0071-00
27	1	1134-3014-01	Remspännare 5-01 24	Belt Tensioner	
28	1	9959-0820-16	Skruv	Screw	
29	1	1134-3035-01	Remskiva	Belt Pulley	
32	1	9739-0831-22	Mutter	Nut	
33	2	1134-3841-01	Lagerbox Kpl.	Bearing Box Assy	
35	1	9549-0019-00	Kullager	Ball Bearing	
36	1	9549-0020-00	Kullager	Ball Bearing	
37	1	1134-0051-05	Distans	Spacer	
38	2	1134-3768-01	Skyddsbricka	Bearing Cover	
39	2	1134-3725-01	Distans	Spacer	
40	1	1134-3767-01	Knivaxel	Blade Shaft	
46	1	1134-3767-02	Knivaxel	Blade Shaft	
47	8	9945-0816-16	Skruv	Screw	
47	8	9945-0825-16	Skruv	Screw	
47	8	9945-0816-16	Skruv	Screw	
47	8	9945-0825-16	Skruv	Screw	
48	1	1134-9050-01	Knivbalk Kpl (85M)	Blade Bar Assy (85M)	Sats 2 st/pkg of 2
49	2	1134-9053-01	Knivsats	Blade Kit	2 knivar/2 blade tips
50	1	1134-9054-01	Brytbultsats	Shear Bolt Kit	6 bultar/6 bolts+nuts
52	2	9997-0816-16	Skruv	Screw	
53	2	9712-0831-02	Lasmutter	Nut	
57	4	9997-0820-16	Skruv	Screw	
58	4	9747-0831-02	Mutter   Lasmutter	Nut	

code	pos.	q.ty	page				
1134-0051-05	37	1	p. 5	9935-1020-16	17	2	p. 3
1134-0240-00	31	6	p. 3	9942-0816-16	7	2	p. 3
1134-0304-05	16	1	p. 3	9945-0816-16	7	2	p. 3
1134-1605-02	10	1	p. 3	9945-0816-16	47	8	p. 5
1134-1833-02	34	2	p. 3	9945-0816-16	47	8	p. 5
1134-1889-01	11	1	p. 3	9945-0825-16	47	8	p. 5
1134-2405-01	19	2	p. 3	9945-0825-16	47	8	p. 5
1134-2406-01	18	8	p. 3	9959-0820-16	25	13	p. 3
1134-2411-01	32	1	p. 3	9959-0820-16	28	1	p. 5
1134-2427-01	38	1	p. 3	9997-0620-16	43	1	p. 3
1134-2907-03	30	2	p. 3	9997-0625-16	8	2	p. 5
1134-3009-01	47	1	p. 3	9997-0816-16	52	2	p. 5
1134-3010-01	42	1	p. 3	9997-0820-16	57	4	p. 5
1134-3011-01	36	1	p. 3	9997-0825-16	40	1	p. 3
1134-3013-01	33	1	p. 3	9997-1055-12	3	2	p. 3
1134-3014-01	27	1	p. 5				
1134-3015-01	24	1	p. 3				
1134-3015-02	24	1	p. 3				
1134-3016-01	27	1	p. 3				
1134-3016-02	27	1	p. 3				
1134-3017-01	8	1	p. 3				
1134-3025-01	22	1	p. 3				
1134-3026-02	51	1	p. 3				
1134-3029-01	23	1	p. 3				
1134-3031-01	1	2	p. 3				
1134-3033-01	13	1	p. 3				
1134-3035-01	29	1	p. 5				
1134-3037-01	6	1	p. 3				
1134-3038-01	2	1	p. 3				
1134-3039-01	37	1	p. 3				
1134-3041-01	48	1	p. 3				
1134-3042-01	9	1	p. 3				
1134-3047-01	20	4	p. 3				
1134-3051-01	49	1	p. 3				
1134-3262-01	45	1	p. 3				
1134-3597-01	7	1	p. 5				
1134-3679-01	6	2	p. 5				
1134-3725-01	39	2	p. 5				
1134-3767-01	40	1	p. 5				
1134-3767-02	46	1	p. 5				
1134-3768-01	38	2	p. 5				
1134-3841-01	33	2	p. 5				
1134-9030-01	19	1	p. 5				
1134-9050-01	48	1	p. 5				
1134-9053-01	49	2	p. 5				
1134-9054-01	50	1	p. 5				
9402-3203-00	99	1	p. 3				
9406-0006-00	50	1	p. 3				
9549-0019-00	35	1	p. 5				
9549-0020-00	36	1	p. 5				
9600-0150-02	18	1	p. 5				
9600-0150-03	13	1	p. 5				
9675-0012-02	35	4	p. 3				
9699-0030-02	10	2	p. 5				
9699-0100-02	12	1	p. 3				
9699-0104-02	14	6	p. 5				
9699-0104-02	20	2	p. 3				
9712-0831-02	53	2	p. 5				
9712-1031-02	15	2	p. 5				
9739-0831-22	26	13	p. 3				
9739-0831-22	32	1	p. 5				
9747-0631-02	9	2	p. 5				
9747-0631-02	44	1	p. 3				
9747-0831-02	41	7	p. 3				
9747-0831-02	58	4	p. 5				
9836-9512-12	5	3	p. 3				