

# STIGA

## **Reservdelskatalog Parts Catalogue**

### **VILLA 85M**

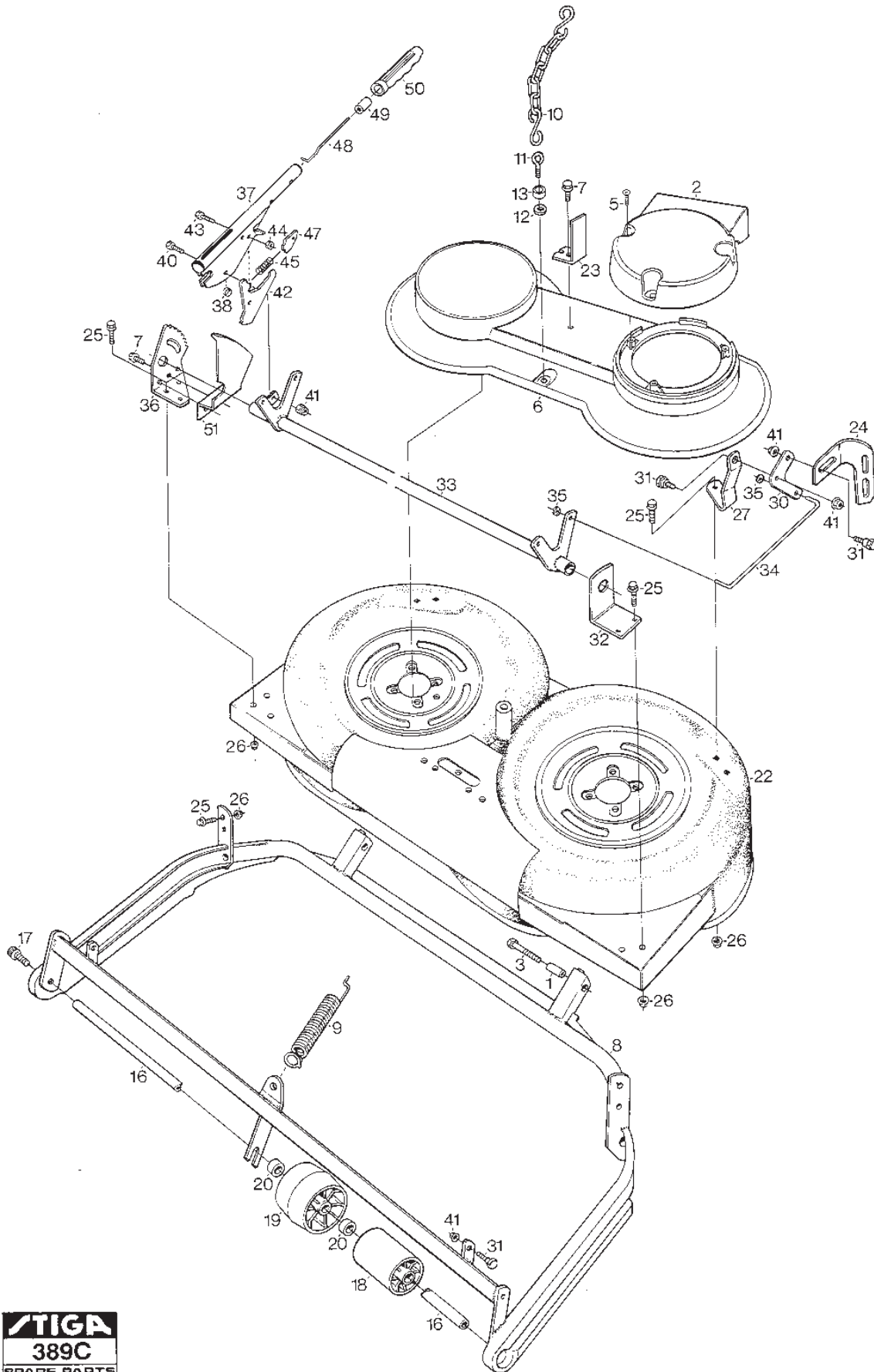
**13-2916-23 - Season 2000**

- Use GLOBAL GARDEN PRODUCT Genuine Spare Parts specified in the parts list for repair and/or replacement.
  - The contents described in the parts list may change due to improvement.
  - The drawings of the spare parts are only indicative and might not represent the part in question exactly.
  - The indications "right" - "left" - "front" - "rear" refer to the position of the operator when using the machine.
- When placing orders of parts for repair and/or replacement, make sure that the illustrated parts list is the one applying to the machine's year of manufacture, as shown on the identification plate attached to the machine.

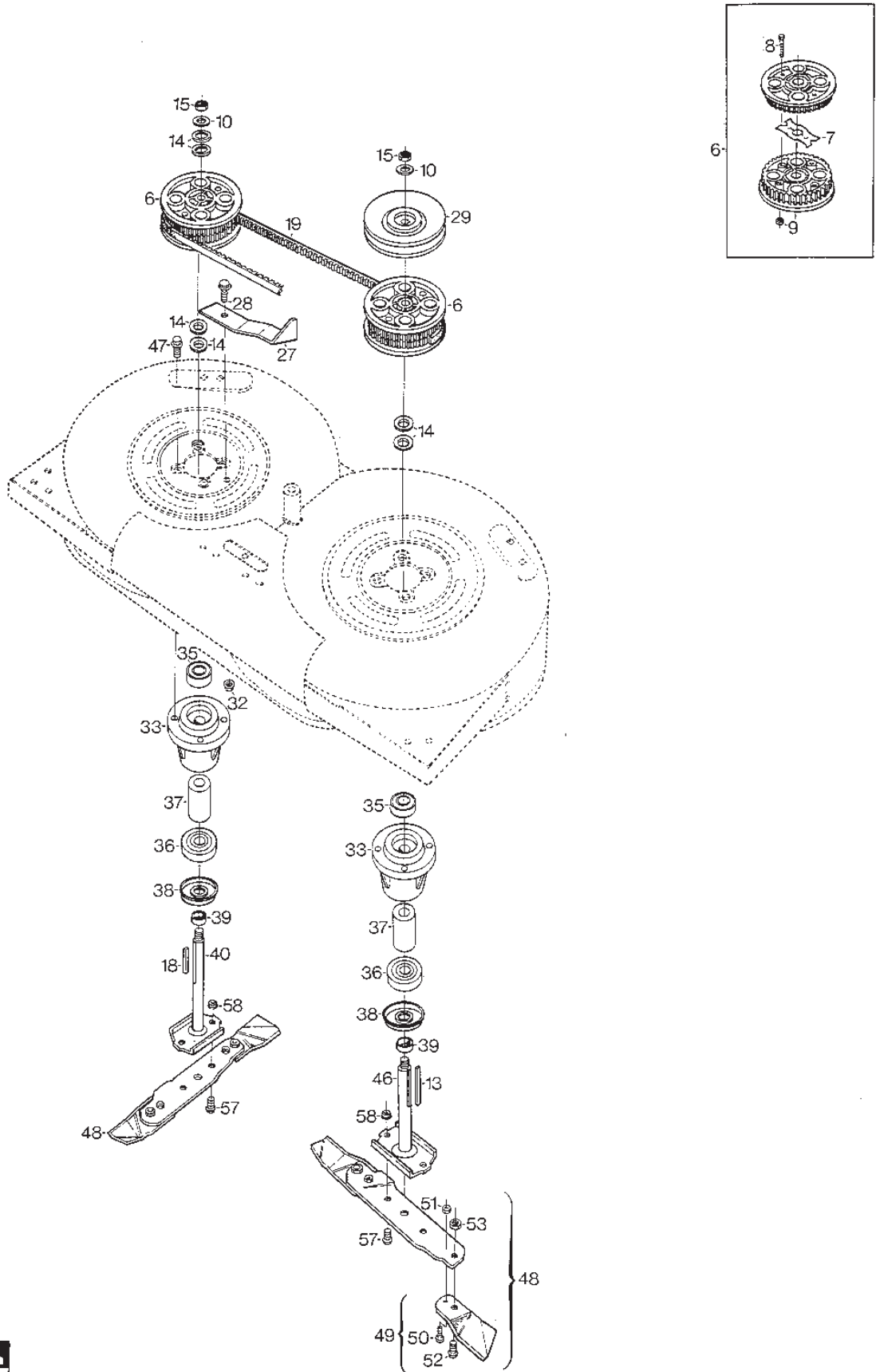
© Copyright 2014 Global Garden Products

All rights reserved. No part of this material may be reproduced or transmitted, in any form or by any means, electronic or mechanical, including photocopying, recording or by any information storage and retrieval system, without permission in writing from GLOBAL GARDEN PRODUCTS.

[www.stiga.com](http://www.stiga.com)



| Utgåva<br>Issue<br>47 - 2014 |                   | Klippaggregat 85M Ram Reglage |                         | Mower Deck 85M Frame Controls |                       |
|------------------------------|-------------------|-------------------------------|-------------------------|-------------------------------|-----------------------|
| Pos.<br>Fig.                 | Antal<br>Quantity | Art nr<br>Part No             | Benämning               | Description                   | Anmärkning<br>Notes   |
| 1                            | 2                 | 1134-3031-01                  | Distans                 | Spacer                        |                       |
| 2                            | 1                 | 1134-3038-01                  | Remskydd                | Belt Guard                    |                       |
| 3                            | 2                 | 9997-1055-12                  | Skruv                   | Screw                         |                       |
| 5                            | 3                 | 9836-9512-12                  | Skruv                   | Screw                         |                       |
| 6                            | 1                 | 1134-3037-01                  | Transmissionskapa5-01   | Transmission Cover            |                       |
| 7                            | 2                 | 9942-0816-16                  | Skruv                   | Screw                         |                       |
| 7                            | 2                 | 9945-0816-16                  | Skruv                   | Screw                         |                       |
| 8                            | 1                 | 1134-3017-01                  | Ram Kpl (Gul) 1-00 L01A | Frame (Yellow)                |                       |
| 9                            | 1                 | 1134-3042-01                  | Fjäder                  | Spring                        |                       |
| 10                           | 1                 | 1134-1605-02                  | Kedja                   | Chain                         |                       |
| 11                           | 1                 | 1134-1889-01                  | Skruvögla               | Eye Bolt                      |                       |
| 12                           | 1                 | 9699-0100-02                  | Bricka                  | Flat washer                   |                       |
| 13                           | 1                 | 1134-3033-01                  | Slang                   | Grommet                       |                       |
| 16                           | 1                 | 1134-0304-05                  | Axel F. Stödrullar      | Shaft                         |                       |
| 17                           | 2                 | 9935-1020-16                  | Skruv                   | Screw                         |                       |
| 18                           | 8                 | 1134-2406-01                  | Rulle                   | Guard Roller                  |                       |
| 19                           | 2                 | 1134-2405-01                  | Stödhjul                | Casing Wheel                  |                       |
| 20                           | 2                 | 9699-0104-02                  | Bricka                  | Washer                        | Shims-ej ill/not ill. |
| 20                           | 4                 | 1134-3047-01                  | Distans                 | Spacer                        |                       |
| 22                           | 1                 | 1134-3025-01                  | Kapa Kpl (Gul) 1-00 01  | Casing (Yellow)               |                       |
| 23                           | 1                 | 1134-3029-01                  | Höjdstopp 5-01 24       | Stop Bracket                  |                       |
| 24                           | 1                 | 1134-3015-01                  | Justerstag-Hö           | Adjusting Bracket-Rh          | Ej ill/not ill.       |
| 24                           | 1                 | 1134-3015-02                  | Justerstag-Vä           | Adjusting Bracket-Lh          |                       |
| 25                           | 13                | 9959-0820-16                  | Skruv                   | Screw                         |                       |
| 26                           | 13                | 9739-0831-22                  | Mutter                  | Nut                           |                       |
| 27                           | 1                 | 1134-3016-01                  | Fäste                   | Bracket                       | Ej ill/not ill.       |
| 27                           | 1                 | 1134-3016-02                  | Fäste                   | Bracket                       |                       |
| 30                           | 2                 | 1134-2907-03                  | Pivotplatta 5-01 24     | Pivoting Plate                |                       |
| 31                           | 6                 | 1134-0240-00                  | Skruv                   | Screw                         |                       |
| 32                           | 1                 | 1134-2411-01                  | Fäste                   | Bracket                       |                       |
| 33                           | 1                 | 1134-3013-01                  | Axel                    | Shaft                         |                       |
| 34                           | 2                 | 1134-1833-02                  | Stag För Höjdinst       | Rod                           |                       |
| 35                           | 4                 | 9675-0012-02                  | Starlock                | Locking washer                |                       |
| 36                           | 1                 | 1134-3011-01                  | Höjdsegment             | Height Adjusting Plate        |                       |
| 37                           | 1                 | 1134-3039-01                  | Höjdinställningsspak    | Lever, Height Adjustment      |                       |
| 38                           | 1                 | 1134-2427-01                  | Distans                 | Spacer                        |                       |
| 40                           | 1                 | 9997-0825-16                  | Skruv                   | Screw                         |                       |
| 41                           | 7                 | 9747-0831-02                  | Mutter   Lasmutter      | Nut                           |                       |
| 42                           | 1                 | 1134-3010-01                  | Lassegment              | Locking Quadrant              |                       |
| 43                           | 1                 | 9997-0620-16                  | Skruv                   | Screw                         |                       |
| 44                           | 1                 | 9747-0631-02                  | Mutter   Lasmutter      | Nut                           |                       |
| 45                           | 1                 | 1134-3262-01                  | Fjäder                  | Spring                        |                       |
| 47                           | 1                 | 1134-3009-01                  | Laskil                  | Locking Key                   |                       |
| 48                           | 1                 | 1134-3041-01                  | Reglagestang            | Control Rod                   |                       |
| 49                           | 1                 | 1134-3051-01                  | Lasratt                 | Locking Knob                  |                       |
| 50                           | 1                 | 9406-0006-00                  | Handtag 01.100.026 Faca | Handle                        |                       |
| 51                           | 1                 | 1134-3026-02                  | Höjdvisningsplat        | Height Adjusting Plate        |                       |
| 99                           | 1                 | 9402-3203-00                  | Dekal                   | Warning Label W.Symbols       | Ej ill/not ill.       |



| Utgåva<br>Issue<br>47 - 2014 |                   | Klippaggregat 85M Knivar |                     | Mower Deck 85M Blades |                       |
|------------------------------|-------------------|--------------------------|---------------------|-----------------------|-----------------------|
| Pos.<br>Fig.                 | Antal<br>Quantity | Art nr<br>Part No        | Benämning           | Description           | Anmärkning<br>Notes   |
| 6                            | 2                 | 1134-3679-01             | Kuggremskiva        | Toothed Belt Pulley   |                       |
| 7                            | 1                 | 1134-3597-01             | Medbringare         | Reinforcement         |                       |
| 8                            | 2                 | 9997-0625-16             | Skruv               | Screw                 |                       |
| 9                            | 2                 | 9747-0631-02             | Mutter   Lasmutter  | Nut                   |                       |
| 10                           | 2                 | 9699-0030-02             | Bricka              | Washer                |                       |
| 13                           | 1                 | 9600-0150-03             | Plattkil            | Key                   |                       |
| 14                           | 6                 | 9699-0104-02             | Bricka              | Washer                |                       |
| 15                           | 2                 | 9712-1031-02             | Lasmutter           | Nut                   |                       |
| 18                           | 1                 | 9600-0150-02             | Plattkil            | Key                   |                       |
| 19                           | 1                 | 1134-9030-01             | Kuggrem             | Toothed Belt          | = 9585-0071-00        |
| 27                           | 1                 | 1134-3014-01             | Remspännare 5-01 24 | Belt Tensioner        |                       |
| 28                           | 1                 | 9959-0820-16             | Skruv               | Screw                 |                       |
| 29                           | 1                 | 1134-3035-01             | Remskiva            | Belt Pulley           |                       |
| 32                           | 1                 | 9739-0831-22             | Mutter              | Nut                   |                       |
| 33                           | 2                 | 1134-3841-01             | Lagerbox Kpl.       | Bearing Box Assy      |                       |
| 35                           | 1                 | 9549-0019-00             | Kullager            | Ball Bearing          |                       |
| 36                           | 1                 | 9549-0020-00             | Kullager            | Ball Bearing          |                       |
| 37                           | 1                 | 1134-0051-05             | Distans             | Spacer                |                       |
| 38                           | 2                 | 1134-3768-01             | Skyddsbricka        | Bearing Cover         |                       |
| 39                           | 2                 | 1134-3725-01             | Distans             | Spacer                |                       |
| 40                           | 1                 | 1134-3767-01             | Knivaxel            | Blade Shaft           |                       |
| 46                           | 1                 | 1134-3767-02             | Knivaxel            | Blade Shaft           |                       |
| 47                           | 8                 | 9945-0816-16             | Skruv               | Screw                 |                       |
| 47                           | 8                 | 9945-0825-16             | Skruv               | Screw                 |                       |
| 47                           | 8                 | 9945-0816-16             | Skruv               | Screw                 |                       |
| 47                           | 8                 | 9945-0825-16             | Skruv               | Screw                 |                       |
| 48                           | 1                 | 1134-9050-01             | Knivbalk Kpl (85M)  | Blade Bar Assy (85M)  | Sats 2 st/pkg of 2    |
| 49                           | 2                 | 1134-9053-01             | Knivsats            | Blade Kit             | 2 knivar/2 blade tips |
| 50                           | 1                 | 1134-9054-01             | Brytbultsats        | Shear Bolt Kit        | 6 bultar/6 bolts+nuts |
| 52                           | 2                 | 9997-0816-16             | Skruv               | Screw                 |                       |
| 53                           | 2                 | 9712-0831-02             | Lasmutter           | Nut                   |                       |
| 57                           | 4                 | 9997-0820-16             | Skruv               | Screw                 |                       |
| 58                           | 4                 | 9747-0831-02             | Mutter   Lasmutter  | Nut                   |                       |

| code         | pos. | q.ty | page |              |    |    |      |
|--------------|------|------|------|--------------|----|----|------|
| 1134-0051-05 | 37   | 1    | p. 5 | 9935-1020-16 | 17 | 2  | p. 3 |
| 1134-0240-00 | 31   | 6    | p. 3 | 9942-0816-16 | 7  | 2  | p. 3 |
| 1134-0304-05 | 16   | 1    | p. 3 | 9945-0816-16 | 7  | 2  | p. 3 |
| 1134-1605-02 | 10   | 1    | p. 3 | 9945-0816-16 | 47 | 8  | p. 5 |
| 1134-1833-02 | 34   | 2    | p. 3 | 9945-0816-16 | 47 | 8  | p. 5 |
| 1134-1889-01 | 11   | 1    | p. 3 | 9945-0825-16 | 47 | 8  | p. 5 |
| 1134-2405-01 | 19   | 2    | p. 3 | 9945-0825-16 | 47 | 8  | p. 5 |
| 1134-2406-01 | 18   | 8    | p. 3 | 9959-0820-16 | 25 | 13 | p. 3 |
| 1134-2411-01 | 32   | 1    | p. 3 | 9959-0820-16 | 28 | 1  | p. 5 |
| 1134-2427-01 | 38   | 1    | p. 3 | 9997-0620-16 | 43 | 1  | p. 3 |
| 1134-2907-03 | 30   | 2    | p. 3 | 9997-0625-16 | 8  | 2  | p. 5 |
| 1134-3009-01 | 47   | 1    | p. 3 | 9997-0816-16 | 52 | 2  | p. 5 |
| 1134-3010-01 | 42   | 1    | p. 3 | 9997-0820-16 | 57 | 4  | p. 5 |
| 1134-3011-01 | 36   | 1    | p. 3 | 9997-0825-16 | 40 | 1  | p. 3 |
| 1134-3013-01 | 33   | 1    | p. 3 | 9997-1055-12 | 3  | 2  | p. 3 |
| 1134-3014-01 | 27   | 1    | p. 5 |              |    |    |      |
| 1134-3015-01 | 24   | 1    | p. 3 |              |    |    |      |
| 1134-3015-02 | 24   | 1    | p. 3 |              |    |    |      |
| 1134-3016-01 | 27   | 1    | p. 3 |              |    |    |      |
| 1134-3016-02 | 27   | 1    | p. 3 |              |    |    |      |
| 1134-3017-01 | 8    | 1    | p. 3 |              |    |    |      |
| 1134-3025-01 | 22   | 1    | p. 3 |              |    |    |      |
| 1134-3026-02 | 51   | 1    | p. 3 |              |    |    |      |
| 1134-3029-01 | 23   | 1    | p. 3 |              |    |    |      |
| 1134-3031-01 | 1    | 2    | p. 3 |              |    |    |      |
| 1134-3033-01 | 13   | 1    | p. 3 |              |    |    |      |
| 1134-3035-01 | 29   | 1    | p. 5 |              |    |    |      |
| 1134-3037-01 | 6    | 1    | p. 3 |              |    |    |      |
| 1134-3038-01 | 2    | 1    | p. 3 |              |    |    |      |
| 1134-3039-01 | 37   | 1    | p. 3 |              |    |    |      |
| 1134-3041-01 | 48   | 1    | p. 3 |              |    |    |      |
| 1134-3042-01 | 9    | 1    | p. 3 |              |    |    |      |
| 1134-3047-01 | 20   | 4    | p. 3 |              |    |    |      |
| 1134-3051-01 | 49   | 1    | p. 3 |              |    |    |      |
| 1134-3262-01 | 45   | 1    | p. 3 |              |    |    |      |
| 1134-3597-01 | 7    | 1    | p. 5 |              |    |    |      |
| 1134-3679-01 | 6    | 2    | p. 5 |              |    |    |      |
| 1134-3725-01 | 39   | 2    | p. 5 |              |    |    |      |
| 1134-3767-01 | 40   | 1    | p. 5 |              |    |    |      |
| 1134-3767-02 | 46   | 1    | p. 5 |              |    |    |      |
| 1134-3768-01 | 38   | 2    | p. 5 |              |    |    |      |
| 1134-3841-01 | 33   | 2    | p. 5 |              |    |    |      |
| 1134-9030-01 | 19   | 1    | p. 5 |              |    |    |      |
| 1134-9050-01 | 48   | 1    | p. 5 |              |    |    |      |
| 1134-9053-01 | 49   | 2    | p. 5 |              |    |    |      |
| 1134-9054-01 | 50   | 1    | p. 5 |              |    |    |      |
| 9402-3203-00 | 99   | 1    | p. 3 |              |    |    |      |
| 9406-0006-00 | 50   | 1    | p. 3 |              |    |    |      |
| 9549-0019-00 | 35   | 1    | p. 5 |              |    |    |      |
| 9549-0020-00 | 36   | 1    | p. 5 |              |    |    |      |
| 9600-0150-02 | 18   | 1    | p. 5 |              |    |    |      |
| 9600-0150-03 | 13   | 1    | p. 5 |              |    |    |      |
| 9675-0012-02 | 35   | 4    | p. 3 |              |    |    |      |
| 9699-0030-02 | 10   | 2    | p. 5 |              |    |    |      |
| 9699-0100-02 | 12   | 1    | p. 3 |              |    |    |      |
| 9699-0104-02 | 14   | 6    | p. 5 |              |    |    |      |
| 9699-0104-02 | 20   | 2    | p. 3 |              |    |    |      |
| 9712-0831-02 | 53   | 2    | p. 5 |              |    |    |      |
| 9712-1031-02 | 15   | 2    | p. 5 |              |    |    |      |
| 9739-0831-22 | 26   | 13   | p. 3 |              |    |    |      |
| 9739-0831-22 | 32   | 1    | p. 5 |              |    |    |      |
| 9747-0631-02 | 9    | 2    | p. 5 |              |    |    |      |
| 9747-0631-02 | 44   | 1    | p. 3 |              |    |    |      |
| 9747-0831-02 | 41   | 7    | p. 3 |              |    |    |      |
| 9747-0831-02 | 58   | 4    | p. 5 |              |    |    |      |
| 9836-9512-12 | 5    | 3    | p. 3 |              |    |    |      |