

STIGA

Reservdelskatalog Parts Catalogue

VILLA 8E

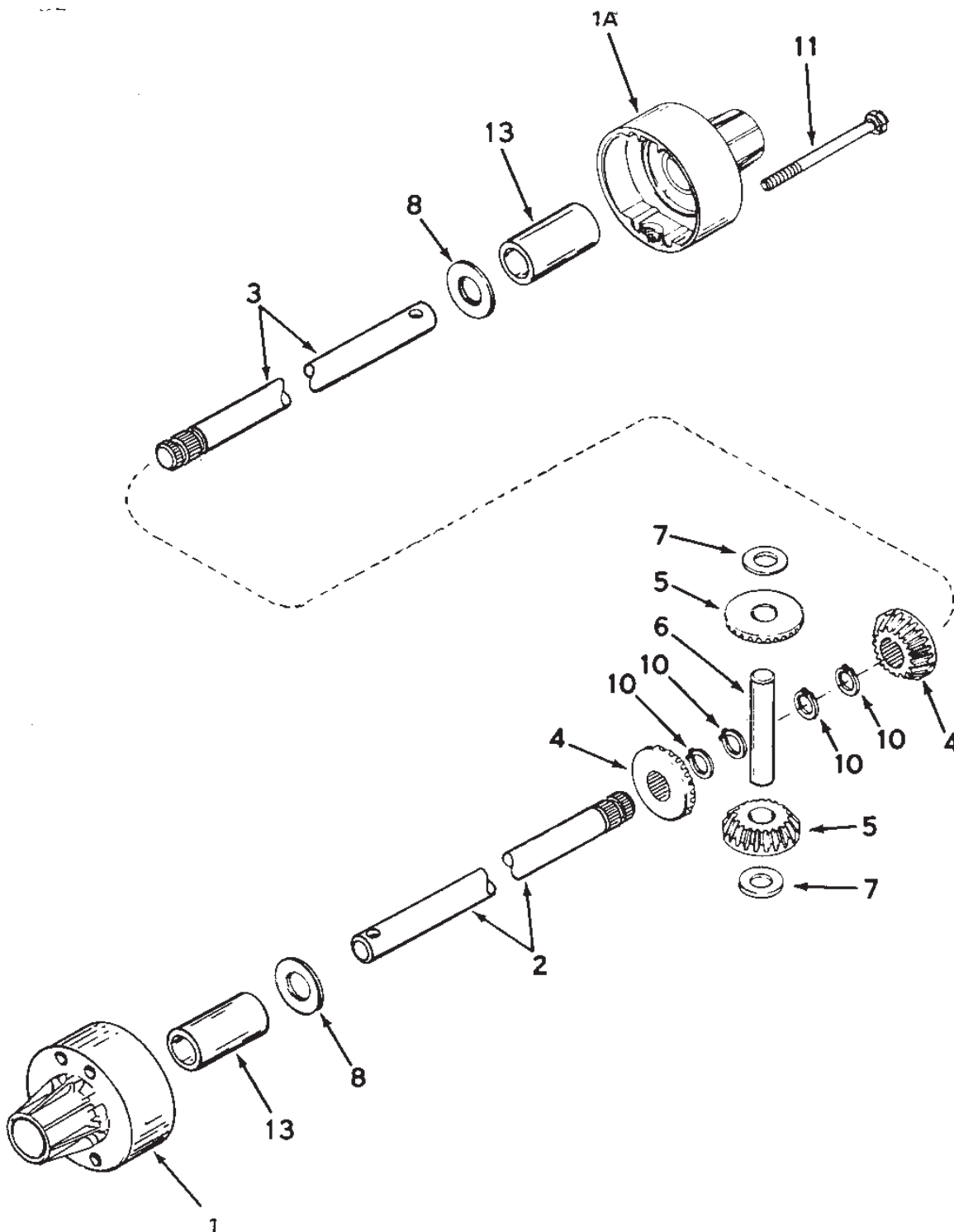
13-2856-15 - Season 1992

- Use GLOBAL GARDEN PRODUCT Genuine Spare Parts specified in the parts list for repair and/or replacement.
 - The contents described in the parts list may change due to improvement.
 - The drawings of the spare parts are only indicative and might not represent the part in question exactly.
 - The indications "right" - "left" - "front" - "rear" refer to the position of the operator when using the machine.
- When placing orders of parts for repair and/or replacement, make sure that the illustrated parts list is the one applying to the machine's year of manufacture, as shown on the identification plate attached to the machine.

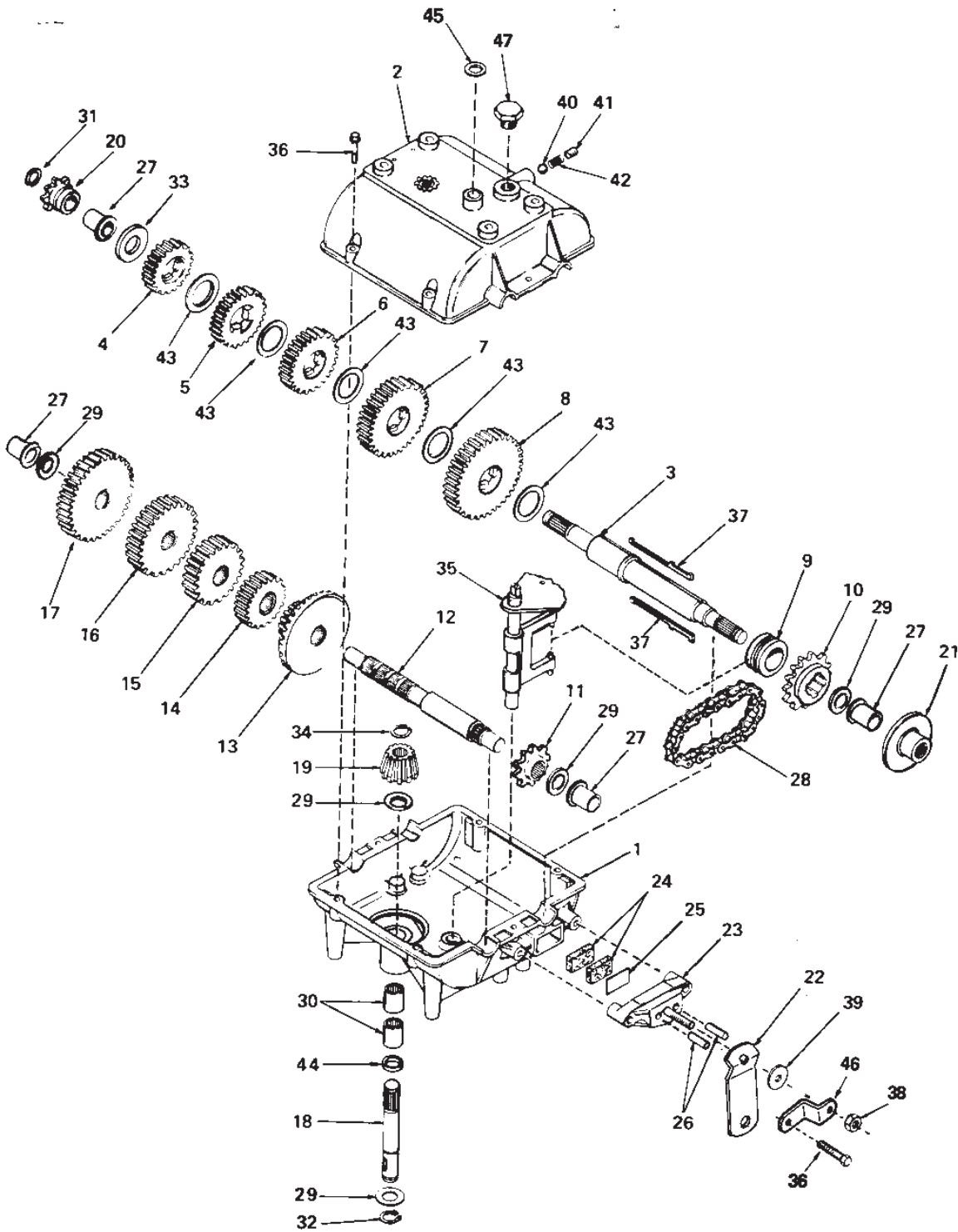
© Copyright 2014 Global Garden Products

All rights reserved. No part of this material may be reproduced or transmitted, in any form or by any means, electronic or mechanical, including photocopying, recording or by any information storage and retrieval system, without permission in writing from GLOBAL GARDEN PRODUCTS.

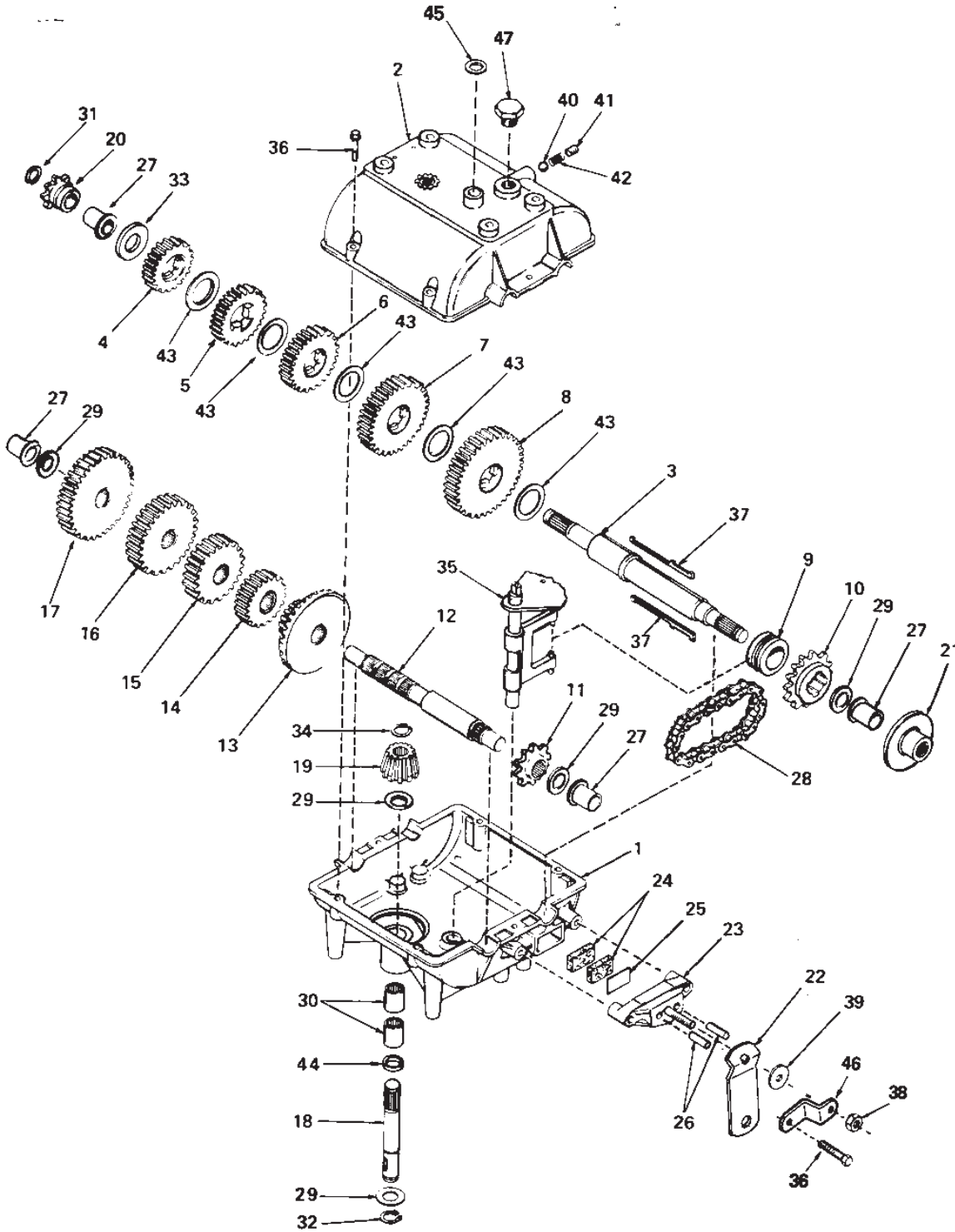
www.stiga.com



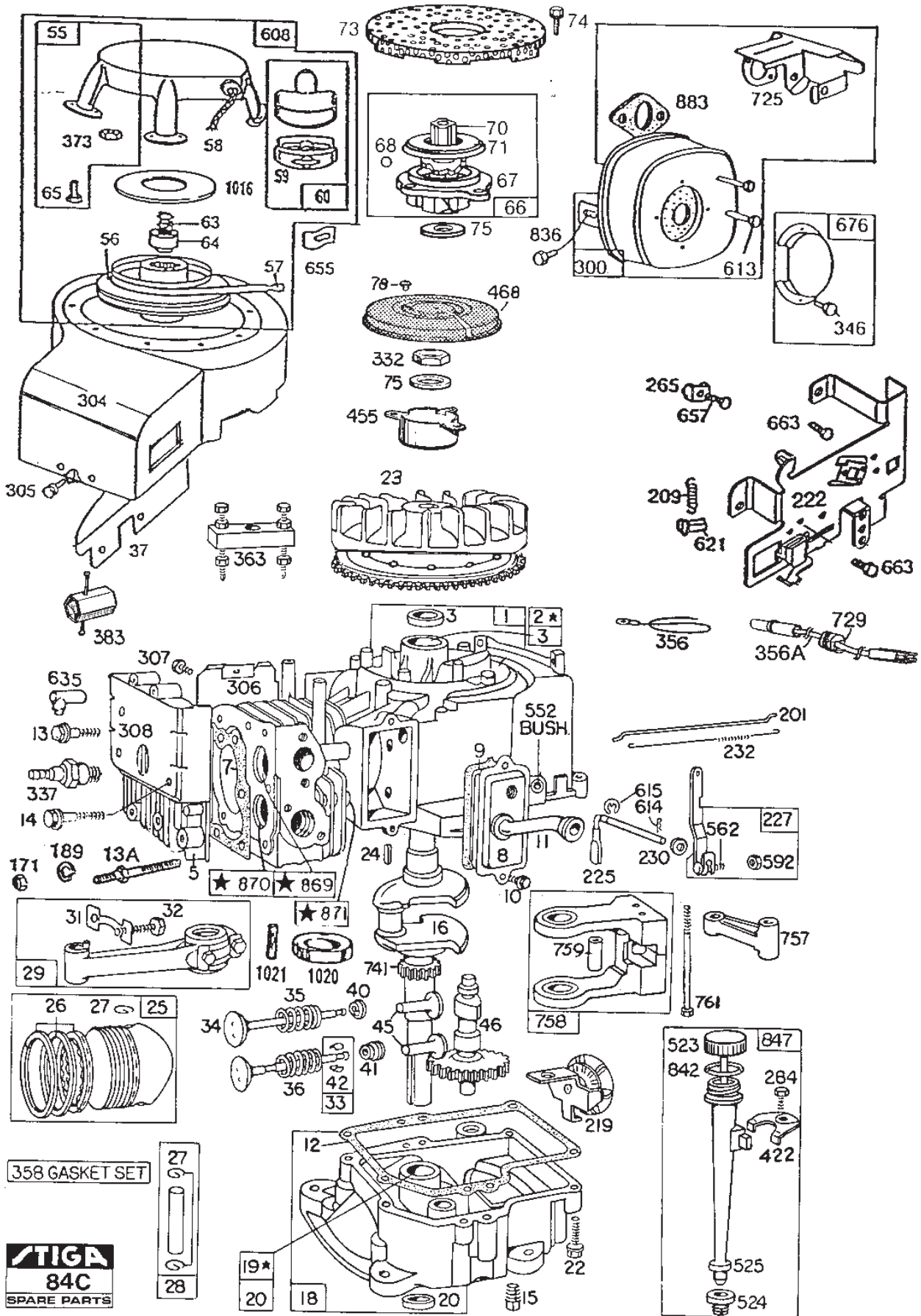
Utgåva Issue 37 - 2014		Tecumseh Peerless Differential 100-010A, 100-019A 100-023A		Tecumseh Peerless Differential 100-010A, 100-019A 100-023A	
Pos. Fig.	Antal Q.ty	Art nr Part No	Benämning	Description	Anmärkning Notes
0	1	1134-1694-03	Differentiell	Differential	Garden _/ 100-010B
0	1	1134-1694-04	Differentiell	Differential	Villa _/ 100-019B
0	1	1134-1694-04	Differentiell	Differential	Villa _/ 100-019B
0	1	1134-1878-01	Differentiell	Differential	Park 2000 _/ 100-023A
1	1	P000-7743-44	Housing	Housing	
1A	1	P000-7743-45	Housing	Housing	
1	1	P000-7744-84	Housing	Housing	100-023A
1A	1	P000-7744-85	Housing	Housing	100-023A
2	1	P000-7747-40	Axel	Axle	224 mm (splines) _/ 100-019B
2	1	P000-7747-40	Axel	Axle	224 mm (splines) _/ 100-019B
3	1	P000-7747-41	Axel	Axle	420 mm (splines) _/ 100-019B
3	1	P000-7747-41	Axel	Axle	420 mm (splines) _/ 100-019B
2	1	P000-7747-59	Axel	Axle	209 mm (splines) _/ 100-023A
3	1	P000-7747-60	Axel	Axle	434 mm (splines) _/ 100-023A
2	1	P000-7747-90	Axel	Axle	196 mm (splines) _/ 100-010A
3	1	P000-7747-91	Axel	Axle	449 mm (splines) _/ 100-010A
5	2	P000-7780-68	Drev	Gear	
4	2	P000-7782-21	Drev	Bevel gear	
8	2	P000-7800-01	Bricka	Washer	
13	1	P000-7800-77	Bussning	Bushing	100-023A
13	2	P000-7800-77	Bussning	Bushing	
7	2	P000-7800-96	Bricka	Washer	
13A	1	P000-7801-24	Bussning	Bushing	43 mm _/ 100-023A
6	1	P000-7860-40	Stift	Drive pin	
11	4	P000-7920-41	Skruv	Screw	
10	4	P000-7921-25	Låsring	Snap ring	
2	1	P007-7479-0A	Axel	Axle	196 mm (splines) _/ 100-010B
3	1	P007-7479-1A	Axel	Axle	449 mm (splines) _/ 100-010B
90	1	P007-8806-7B	Grease	Grease	



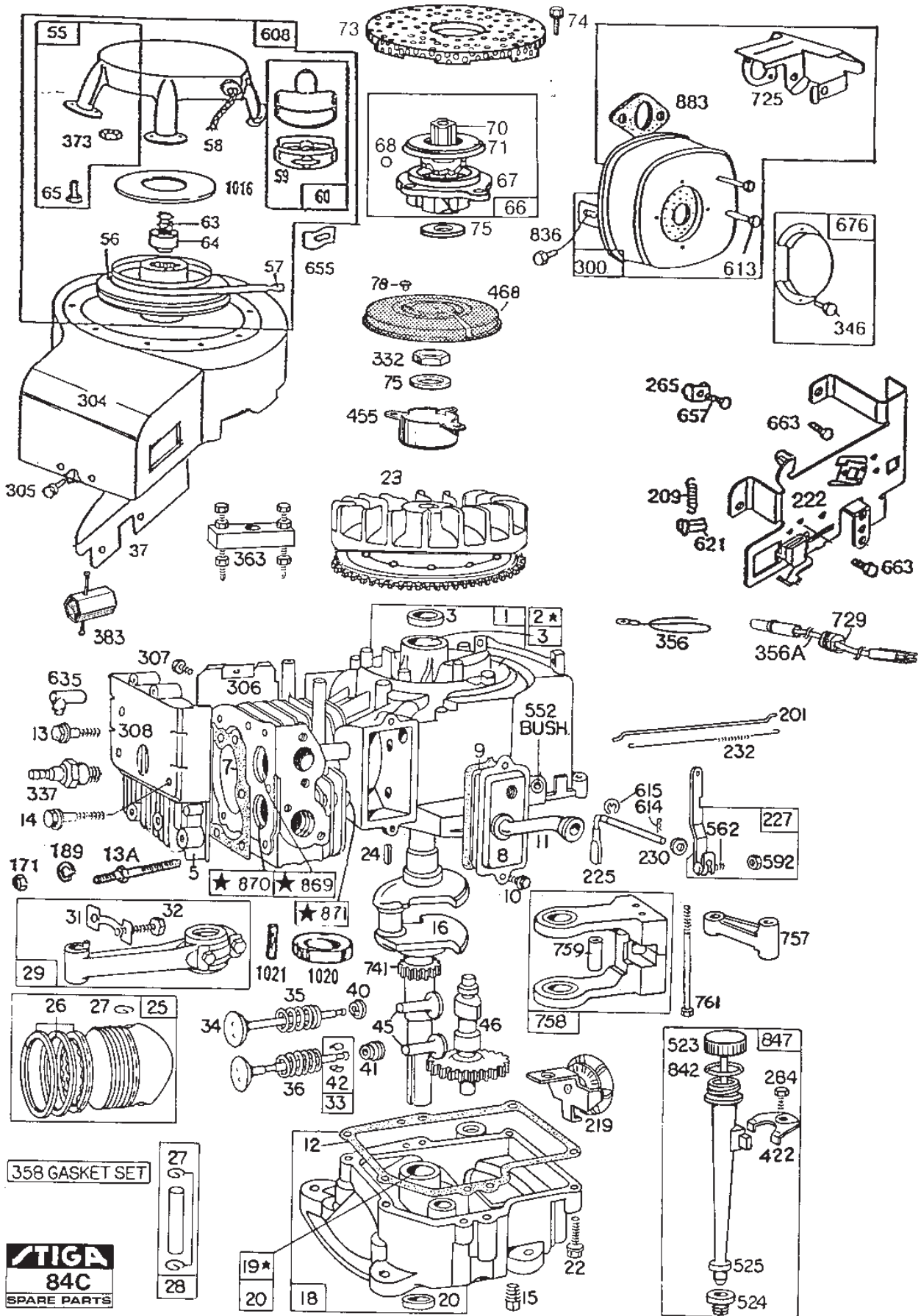
Utgåva Issue 37 - 2014		Tecumseh Peerless Väckellåda 781A 786A		Tecumseh Peerless Gearbox 781A 786A	
Pos. Fig.	Antal Q.ty	Art nr Part No	Benämning	Description	Anmärkning Notes
0	1	9500-9949-00	Väckellåda 781B	Gear Box 781B 19	Villa _/ 781A
0	1	9500-9950-00	Transmission assy	Transmission assy	Garden _/ 786A
1	1	P000-7700-61	Case	Case	
2	1	P000-7720-83	Cover	Cover	
12	1	P000-7761-34	Axel	Shaft	
18	1	P000-7761-35	Axel	Shaft	
3	1	P000-7761-61	Axel	Shaft	
3	1	P000-7762-17	Axel	Shaft	
13	1	P000-7781-09	Gear	Gear	42T+15T
8	1	P000-7781-25	Gear	Gear	35T
29	5	P000-7800-72	Bricka	Washer	
30	2	P000-7800-86	Nållager	Needle Bearing	
43	5	P000-7801-08	Bricka	Washer	
33	1	P000-7801-09	Bricka	Washer	
9	1	P000-7842-66	Hylsa	Collar	
35	1	P000-7842-67	Shift rod	Shift rod	
26	2	P000-7860-26	TryckSprint	Dowel pin	
28	1	P000-7860-81	Kedja	Chain	24 länk/link
11	1	P000-7860-82	Kedjehjul	Sprocket	9T
10	1	P000-7860-83	Kedjehjul	Sprocket	18T
46	1	P000-7860-86	Fäste	Bracket	
20	1	P000-7861-14	Sprocket	Sprocket	781A
20	1	P000-7861-15	Sprocket	Sprocket	786A
34	1	P000-7880-40	Låsring	Retaining ring	
21	1	P000-7900-03	Bromsskiva	Brake Disc	
24	2	P000-7900-06	Bromsbelägg	Brake pad	
25	1	P000-7900-07	Tryck platta	Brake plate	
23	1	P000-7900-25	Hållare	Holder	
22	1	P000-7900-33	Bromsarm	Brake Lever	781A
22	1	P000-7900-37	Bromsarm	Brake Lever	786A
44	1	P000-7920-01	O-ring	O-ring	
32	1	P000-7920-35	Låsring	Retaining ring	
31	1	P000-7920-72	Retaining ring	Retaining ring	
36	6	P000-7920-73	Skruv	Screw	
36	8	P000-7920-73	Skruv	Screw	
47	1	P000-7920-74	Plug	Plug	
38	1	P000-7920-75	Mutter	Nut	
39	1	P000-7920-76	Bricka	Washer	
40	1	P000-7920-77	Kula	Ball	
41	1	P000-7920-78	Skruv	Screw	
42	1	P000-7920-79	Fjäder	Spring	
45	1	P000-7920-83	Bricka	Washer	
1	1	P007-7006-1A	Case	Case	
2	1	P007-7208-3A	Cover	Cover	
19	1	P007-7811-3A	Drev	Bevel pinion	
4	1	P007-7812-1A	Drev	Gear	20T
5	1	P007-7812-2A	Drev	Gear	22T
6	1	P007-7812-3A	Drev	Gear	25T
7	1	P007-7812-4A	Drev	Gear	30T



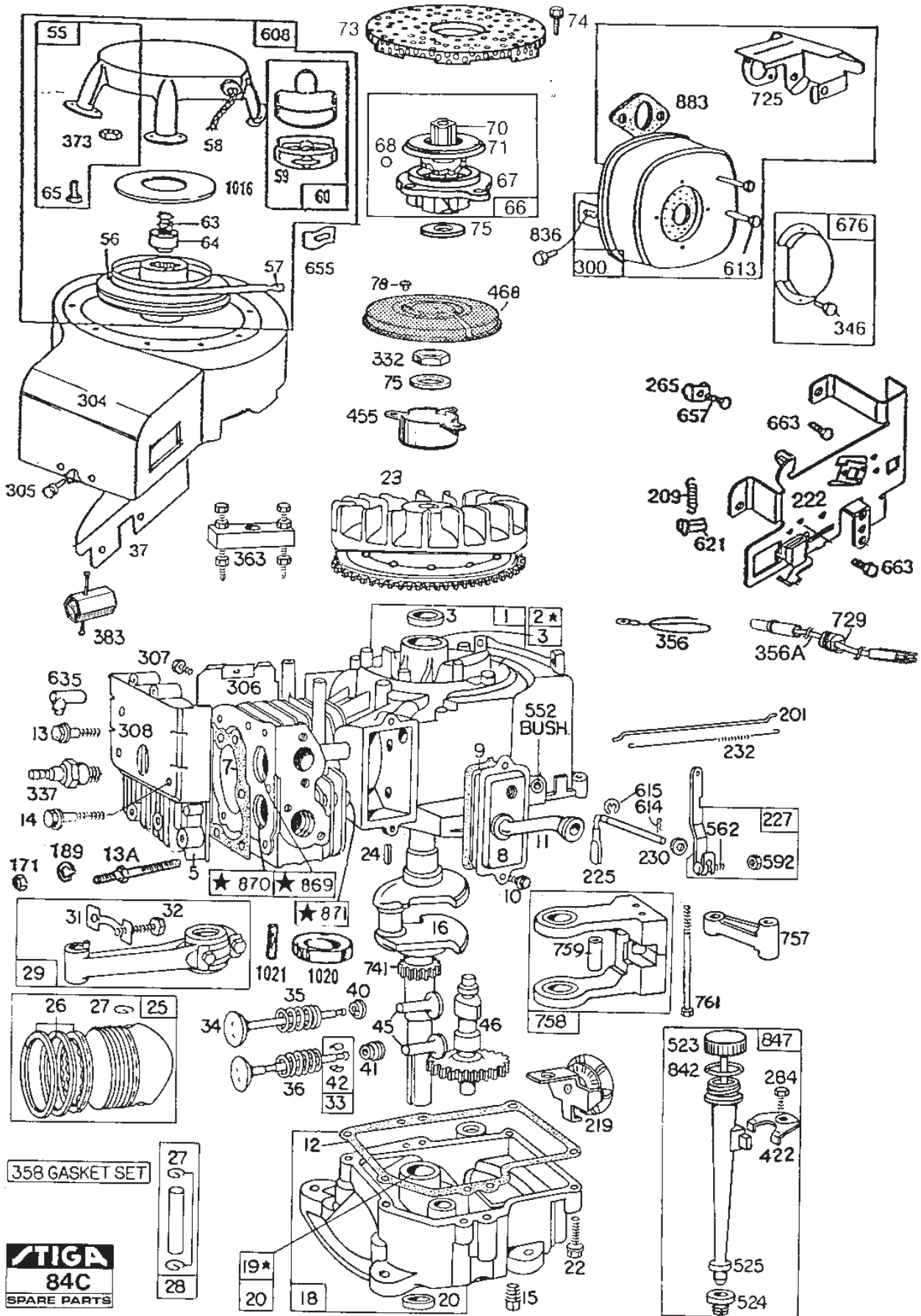
Utgåva Issue 37 - 2014		Tecumseh Peerless Väckellåda 781A 786A Tecumseh Peerless Gearbox 781A 786A			
Pos. Fig.	Antal Q.ty	Art nr Part No	Benämning	Description	Anmärkning Notes
14	1	P007-7812-6A	Drev	Gear	20T
15	1	P007-7812-7A	Drev	Gear	25T
16	1	P007-7812-8A	Drev	Gear	28T
17	1	P007-7812-9A	Drev	Gear	30T
27	4	P007-8010-5A	Bussning	Bushing	
90	1	P007-8806-7B	Grease	Grease	
37	2	P007-9208-9A	Kil	Key	



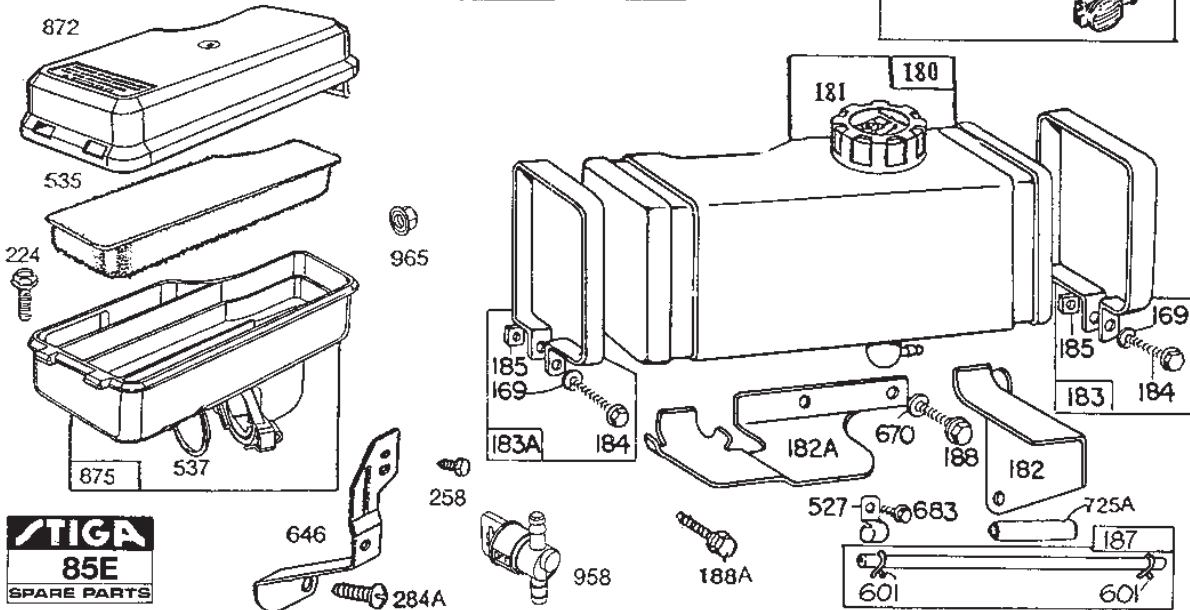
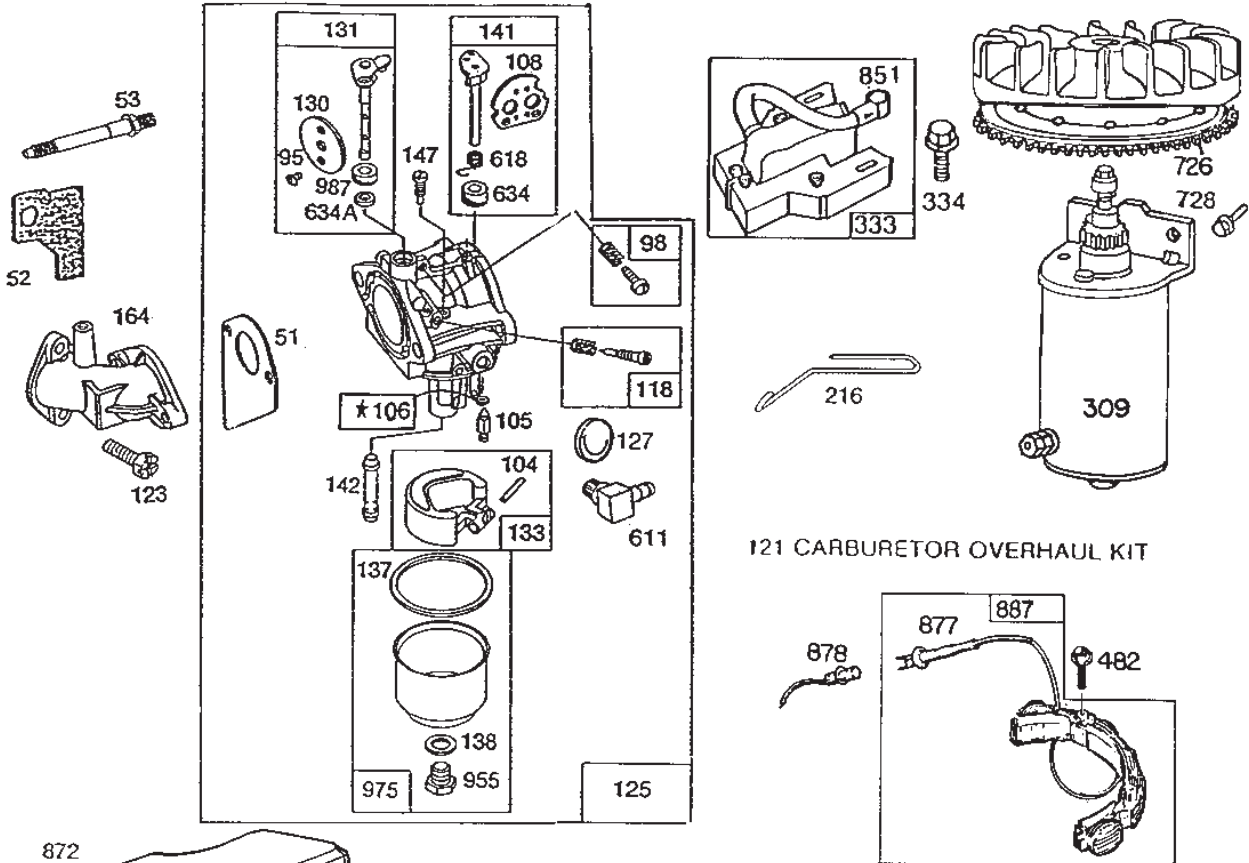
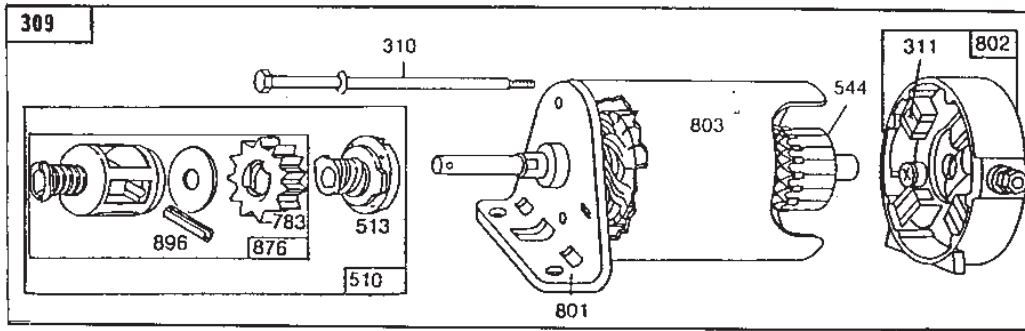
Utgåva Issue 37 - 2014		Cylinder Vevhus		Cylinder Crankcase	
Pos. Fig.	Antal Q.ty	Art nr Part No	Benämning	Description	Anmärkning Notes
363	1	19165	Flywheel puller	Flywheel puller	Tillbehör/Accessory
36	1	26828	Ventilfjäder-utblås	Valve spring-exhaust	
9	1	27803	Packning	Gasket	
68	3	63770	Kula	Ball	195702-0126
35	1	65906	Ventilfjäder-insug	Valve spring-intake	
635	1	66538	Tändstiftsskydd	Spark plug elbow	
27	2	68546	Låsring	Lock	
524	1	68838	Tätning	Seal	
332	1	92284	Mutter	Nut	195707-0127
562	1	92613	Skruv	Screw	
32	2	92659	Skruv	Screw	
373	4	92987	Mutter	Nut	195702-0126
614	1	93306	Låsnål	Cotter Pin Cotter pin	
615	1	93307	Låsring	Retainer	
10	2	93394	Skruv	Screw	
657	1	93496	Skruv	Screw	
836	1	93559	Skruv	Screw	
22	6	93585	Skruv	Screw	
42	2	93630	Hållare	Retainer	
346	2	93705	Skruv	Screw	
14	1	93723	Skruv	Screw	
74	3	93758	Skruv	Screw	195702-0126
13A	2	93776	Stud	Stud	
78	3	93805	Skruv	Screw	195707-0127
761	2	93874	Skruv	Screw	
307	1	93949	Skruv	Screw	
613	2	94042	Skruv	Screw	
65	4	94128	Skruv	Screw	195702-0126
1021	1	94160	Stift	Pin	
15	1	94239	Oil drain plug	Oil drain plug	
171	2	94314	Mutter	Nut	
189	2	94315	Bricka	Washer	
284	1	94419	Skruv	Screw	
663	2	94419	Skruv	Screw	
13	6	94565	Skruv	Screw	
305	4	94608	Skruv	Screw	
869	1	211661	Valve seat-intake	Valve seat-intake	
870	1	211661	Valve seat-intake	Valve seat-intake	
46	1	211689	Kamaxel	Camshaft	
5	1	212286	Topplöck	Cylinder Head	
757	1	212359	Länk	Link	
265	1	221535	Klämma	Clamp	
40	1	221596	Hållare	Retainer	
73	1	221796	Nät	Screen	195702-0126
31	1	222114	Låsbleck	Lock	
230	1	222450	Bricka	Washer	
37	1	222475	Guard	Guard	
455	1	222561	Kopp	Cup	195707-0127
468	1	222562	Nät	Screen	195707-0127



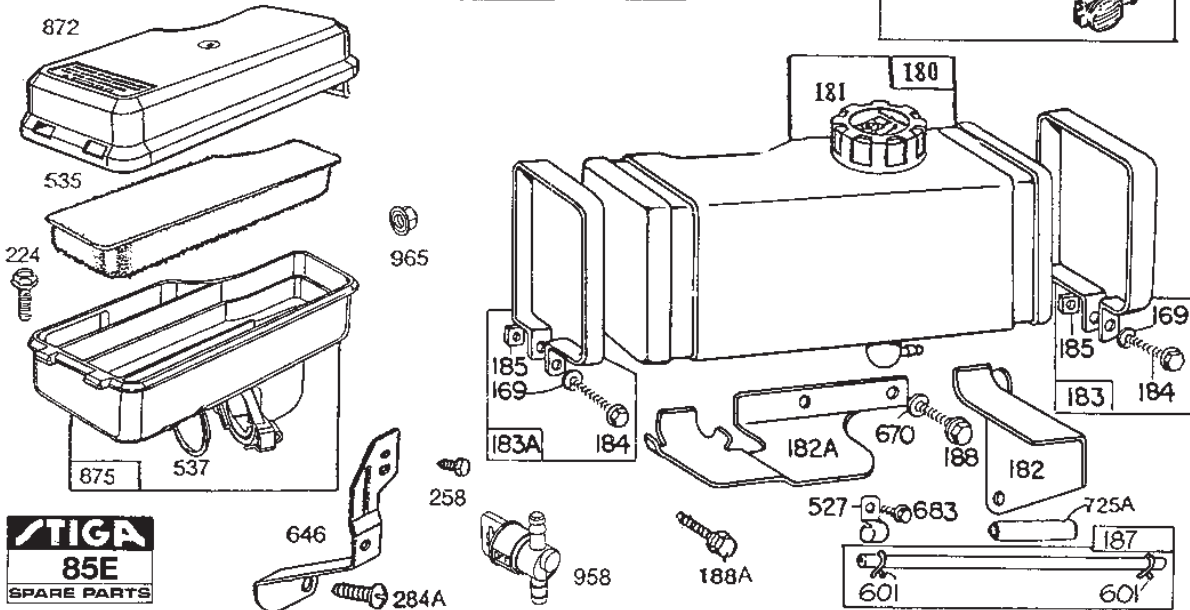
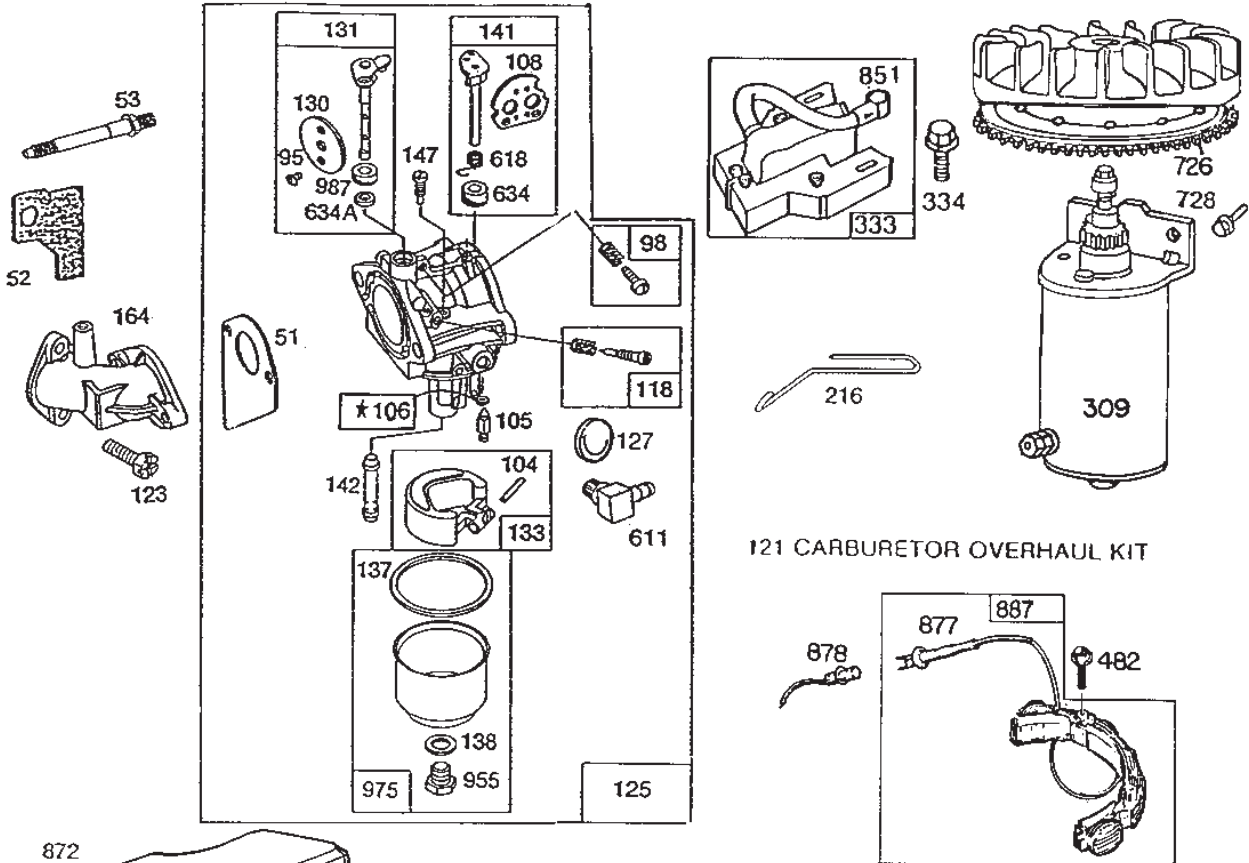
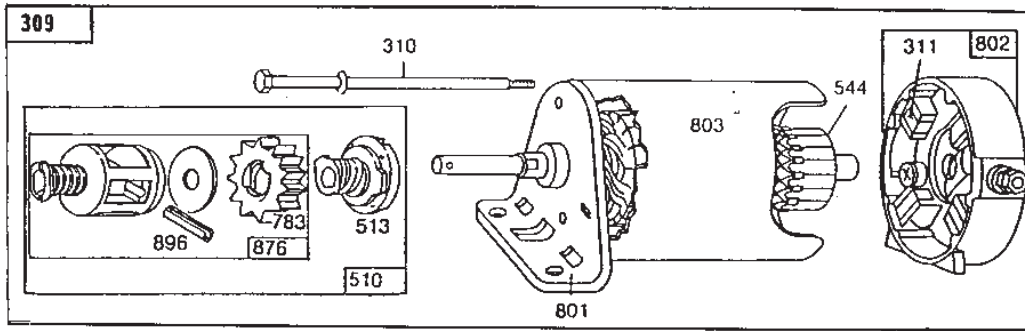
Utgåva Issue 37 - 2014		Cylinder Vevhus	Cylinder Crankcase		
Pos. Fig.	Antal Q.ty	Art nr Part No	Benämning	Description	Anmärkning Notes
655	1	222598	Anchor	Anchor	195702-0126
308	1	222636	Cover	Cover	
24	1	222698	Kil	Key	
422	1	223394	Clamp	Clamp	
725	1	223540	Värmeskydd	Heat shield	
75	1	224061	Bricka	Washer	
306	1	224543	Shield	Shield	
64	1	230543	Adapter	Adapter	195702-0126
225	1	231058	Regulatoraxel	Governor crank	
592	1	231082	Mutter	Nut	
871	1	231218	Ventilstyrning-insug	Valve guide-intake	
871	1	231218	Ventilstyrning-insug	Valve guide-intake	Se rep.handbok
63	1	260414	Fjäder	Spring	195702-0126
209	1	260871	Fjäder	Spring	
45	2	260933	Valve tappet	Valve tappet	
34	1	261055	Insugningsventil	Intake valve	
1020	1	261190	Excenter	Eccentric	
871	1	261961	Ventilstyrning-utblås	Valve guide-exhaust	
871	1	261961	Ventilstyrning-utblås	Valve guide-exhaust	
871	1	261961	Ventilstyrning-utblås	Valve guide-exhaust	
741	1	262479	Gear	Gear	
201	1	262769	Governor link	Governor link	
232	1	262787	Fjäder	Spring	
842	1	270920	Tätning	Seal	
12	1	271701	Packning	Gasket	
7	1	272163	Packning	Gasket	
883	1	272309	Packning	Gasket	
11	1	280005	Rör	Tube	
525	1	280133	Rör	Tube	
729	1	281159	Clip	Clip	195707-0127
41	1	292260	Rotator	Rotocoil	
3	1	294606	Oil seal	Oil seal	
28	1	295840	Kolvsprint	Piston Pin	
56	1	295871	Pulley	Pulley	195702-0126
19	1	295963	Bussning	Bushing	
23	1	298260	Flywheel	Flywheel	195702-0126
70	1	298799	Startspärr	Ratchet	195702-0126
759	1	298909	Kolvsprint	Piston Pin	
358	1	299577	Packningssats	Gasket set	
758	1	390172	Balanseringsvikt	Counterweight	
608	1	390391	Starter assy	Starter assy	195702-0126
29	1	390402	Connecting Rod	Connecting Rod	
33	1	390419	Exhaust valve	Exhaust valve	
20	1	391086	Tätning	Seal	
8	1	391406	Vevhusventilation	Breather	
26	1	391669	Ring set	Ring set	
25	1	391673	Kolv	Piston	
523	1	391840	Oil dipstick	Oil dipstick	
23	1	391983	Flywheel	Flywheel	195707-0127



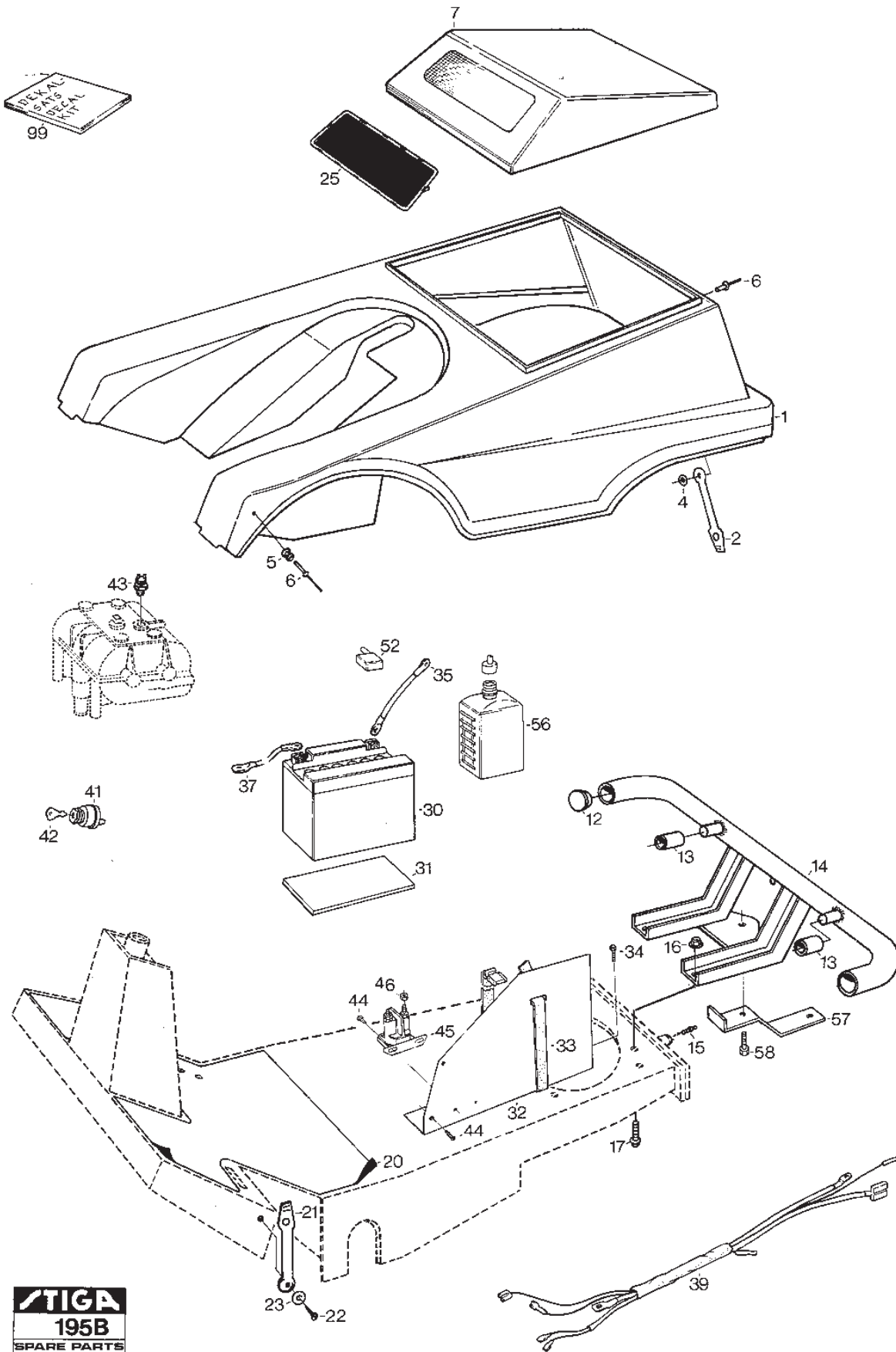
Utgåva Issue 37 - 2014		Cylinder Vevhus		Cylinder Crankcase	
Pos. Fig.	Antal Q.ty	Art nr Part No	Benämning	Description	Anmärkning Notes
847	1	392066	Oljesticka kpl	Oil filler group	
18	1	392548	Vevhus	Oil sump	
55	1	393576	Starthus	Housing	195702-0126
676	1	393757	Deflektor	Deflector	
71	1	394506	Bricka	Washer	195702-0126
67	1	394897	Kopplingshus	Clutch Housing	195702-0126
1	1	396269	Cylinder	Cylinder	
621	1	396847	Stop switch	Stop switch	195702-0126
16	1	396876	Crankshaft	Crankshaft	
300	1	398507	Ljuddämpare	Muffler	
356	1	398808	Kortslutningskabel	Ground wire	195702-0126
2	1	399267	Bearing	Bearing	
66	1	399671	Starter clutch	Starter clutch	195702-0126
57	1	490179	Fjäder	Spring	195702-0126
60	1	490652	Starter Grip	Starter Grip	195702-0126
59	1	490653	Inlägg	Insert	195702-0126
1016	1	490817	Distans	Spacer	195702-0126
219	1	491397	Oil slinger gear	Oil slinger gear	
552	1	491986	Bussning	Bushing	
227	1	493935	Arm	Lever	
304	1	494084	Blower housing	Blower housing	195707-0127
356A	1	494328	Ground wire	Ground wire	195707-0127
304	1	494731	Blower housing	Blower housing	195702-0126
222	1	494887	Governor plate	Governor plate	
58	1	1111-1580-02	Startsnöre (Från 5 Hk) S	Starter Rope >5Hp	195702-0126
337	1	1111-9028-02	Tändstift (J19Lm)	Spark Plug (J19Lm)	
337	1	1111-9028-02	Tändstift (J19Lm)	Spark Plug (J19Lm)	Champion J19LM
383	1	1111-9029-01	Tändstiftsnyckel (19 Mm-21 Mm)	Spark Plug Wrench (19 Mm-21 Mm)	Tillbehör/Accessory
337	1	9400-0225-00	Tändstift (J19Lm)	Spark Plug (J19Lm)	Champion J19LM
337	1	9400-0225-00	Tändstift (J19Lm)	Spark Plug (J19Lm)	Champion J19LM



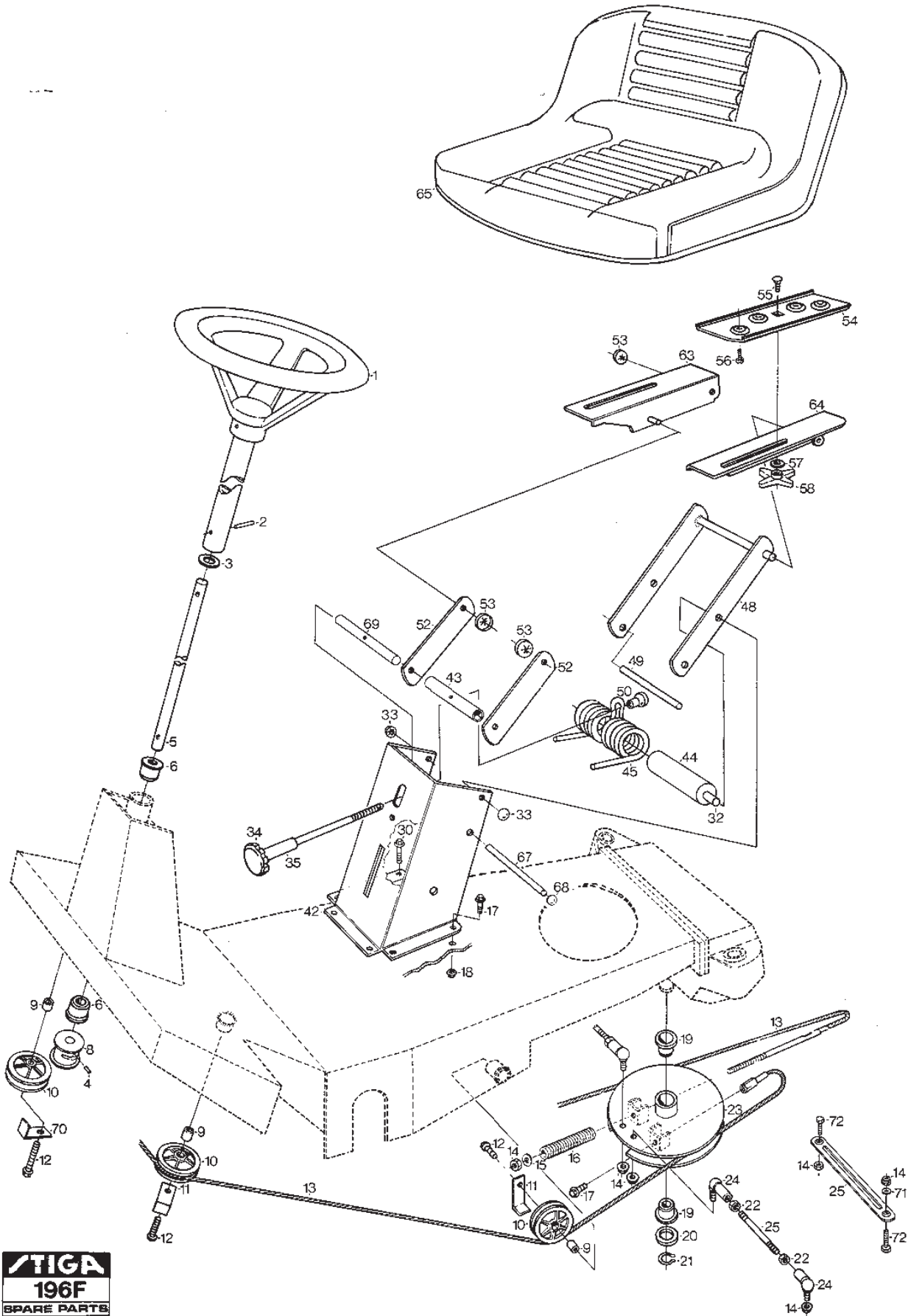
Utgåva Issue 37 - 2014		Förgasare Tank		Carburettor Fuel Tank	
Pos. Fig.	Antal Q.ty	Art nr Part No	Benämning	Description	Anmärkning Notes
670	2	22776	Bricka	Washer	195707-0127
670	4	22963	Distans	Spacer	195702-0126
670	2	22963	Distans	Spacer	195707-0127
169	2	90832	Bricka	Washer	
185	2	90970	Mutter	Nut	
601	2	93053	Slangklämma	Hose clamp	
6001	2	93053	Slangklämma	Hose clamp	
334	2	93381	Skruv	Screw	
728	2	93535	Skruv	Screw	195707-0127
188	1	93535	Skruv	Screw	
482	2	93621	Skruv	Screw	195707-0127
188A	1	93634	Skruv	Screw	
184	2	93803	Skruv	Screw	
310	2	94003	Skruv	Screw	195707-0127
95	2	94098	Skruv	Screw	
965	2	94108	Låsmutter	Nut	
896	1	94288	Stift	Roll pin	195707-0127
284A	1	94326	Skruv	Screw	
224	1	94513	Skruv	Screw	
683	2	94602	Skruv	Screw	
123	2	94616	Skruv	Screw	
258	1	94620	Skruv	Screw	
53	2	94637	Skruv	Screw	
955	1	94642	Skruv	Screw	
164	1	213819	Carburettor elbow	Carburettor elbow	
527	2	221428	Clamp	Clamp	
851	1	221798	Anslutning	Terminal	
182A	1	222112	Fäste	Bracket	
725A	1	222175	Värmskydd	Heat shield	
182	1	222813	Fäste	Bracket	
108	1	224540	Choke valve	Choke valve	
646	1	224614	Brace	Brace	
130	1	224668	Gasspjäll	Throttle Valve	
104	1	231789	Axel	Shaft	
105	1	231790	Nålventil	Inlet needle valve	
147	1	231794	Nozzle	Nozzle	
216	1	262768	Choke link	Choke link	
618	1	262803	Fjäder	Spring	
52	1	270824	Packning	Gasket	
535	1	272405	Luftfilterelement	Filter Element	
51	1	272465	Packning	Gasket	
783	1	280104	Drev	Gear	195707-0127
537	1	281106	O-ring	O-ring	
872	1	281108	Cover	Cover	
138	1	281164	Bricka	Washer	
137	1	281165	Packning	Gasket	
987	1	281166	Seal	Seal	
634A	1	281167	Bricka	Washer	
634	1	281168	Bricka	Washer	



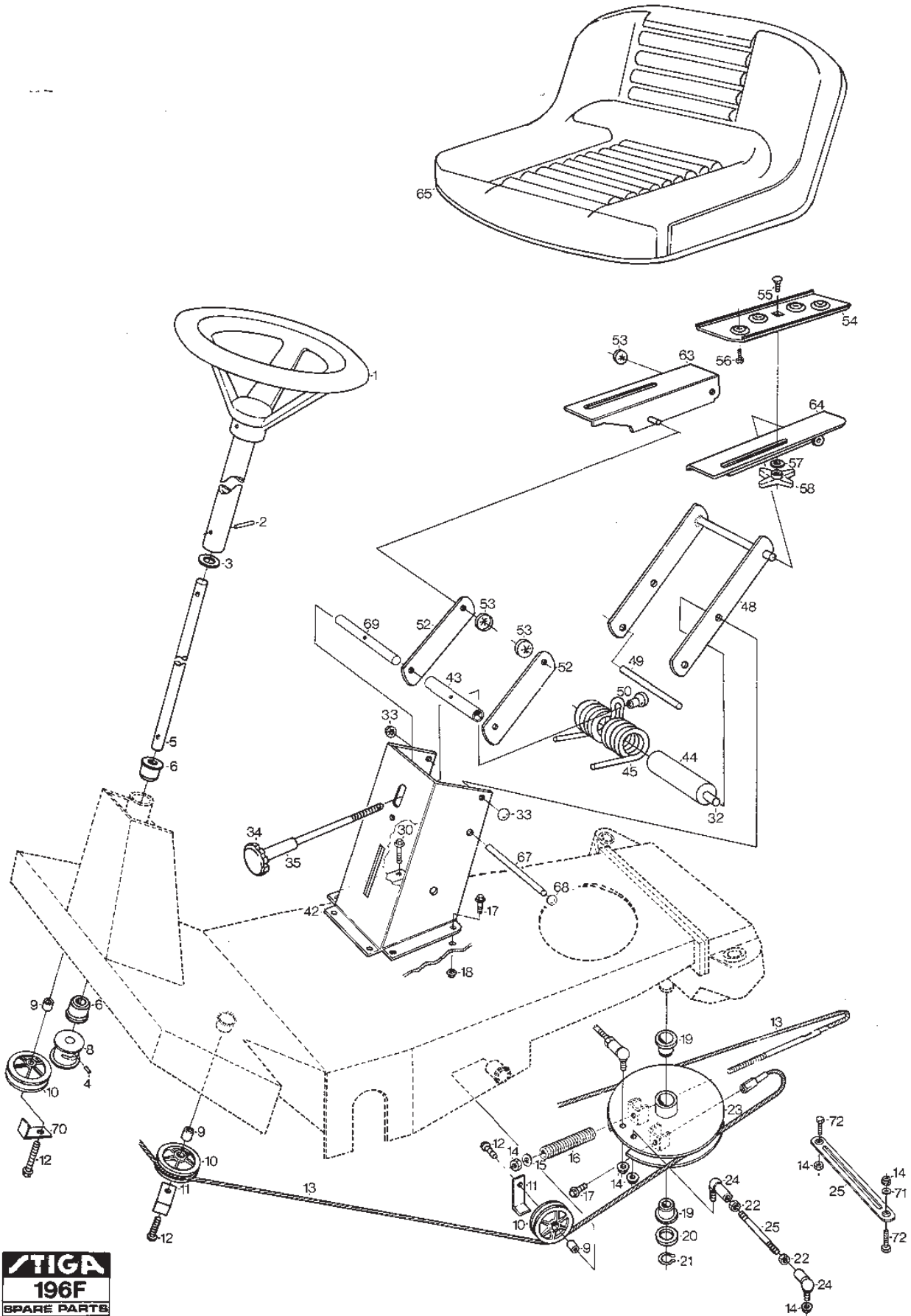
Utgåva Issue 37 - 2014		Förgasare Tank		Carburettor Fuel Tank	
Pos. Fig.	Antal Q.ty	Art nr Part No	Benämning	Description	Anmärkning Notes
106	1	281169	Valve seat	Valve seat	
187	1	296004	Fuel pipe	Fuel pipe	584 mm
180	1	390225	Fuel tank	Fuel tank	
183A	1	390405	Strap L.H.	Strap L.H.	
183	1	390406	Strap	Strap	
544	1	390837	Armature	Armature	195707-0127
887	1	391529	Stator	Stator	195707-0127
726	1	392134	Kuggkrans	Gear ring	195707-0127
878	1	393422	Kabelhärva	Harness	195707-0127
877	1	393814	Connector	Connector	195707-0127
309	1	394805	Starter motor	Starter motor	195707-0127
801	1	394856	Lock	Drive end cap	195707-0127
802	1	395537	Botten	End cap	195707-0127
311	4	395538	Släpkol	Brush	195707-0127
513	1	398003	Koppling kpl	Clutch Ass.Y	195707-0127
803	1	398159	Hus	Housing	195707-0127
333	1	398811	Tändsystem kpl	Armature group	
510	1	490421	Drev kpl	Drive assy	195707-0127
876	1	490467	Startdrev	Retainer kit	195707-0127
958	1	493960	Fuel shut-off valve	Fuel shut-off valve	
181	1	493988	Fuel cap	Fuel cap	
975	1	494378	Bowl	Bowl	
141	1	494380	Choke shaft	Choke shaft	
133	1	494381	Flottör	Float	
98	1	494382	Skruv	Screw	
118	1	494383	Nålventil	Needle valve	
611	1	494451	Nippel	Inlet tube	
875	1	494745	Air cleaner body	Air cleaner body	
142	1	494877	Nozzle	Nozzle	
121	1	494880	Carburettor overhaul	Carburettor overhaul	
131	1	494885	Axel	Shaft	
125	1	494894	Förgasare kpl	Carburettor Assy	



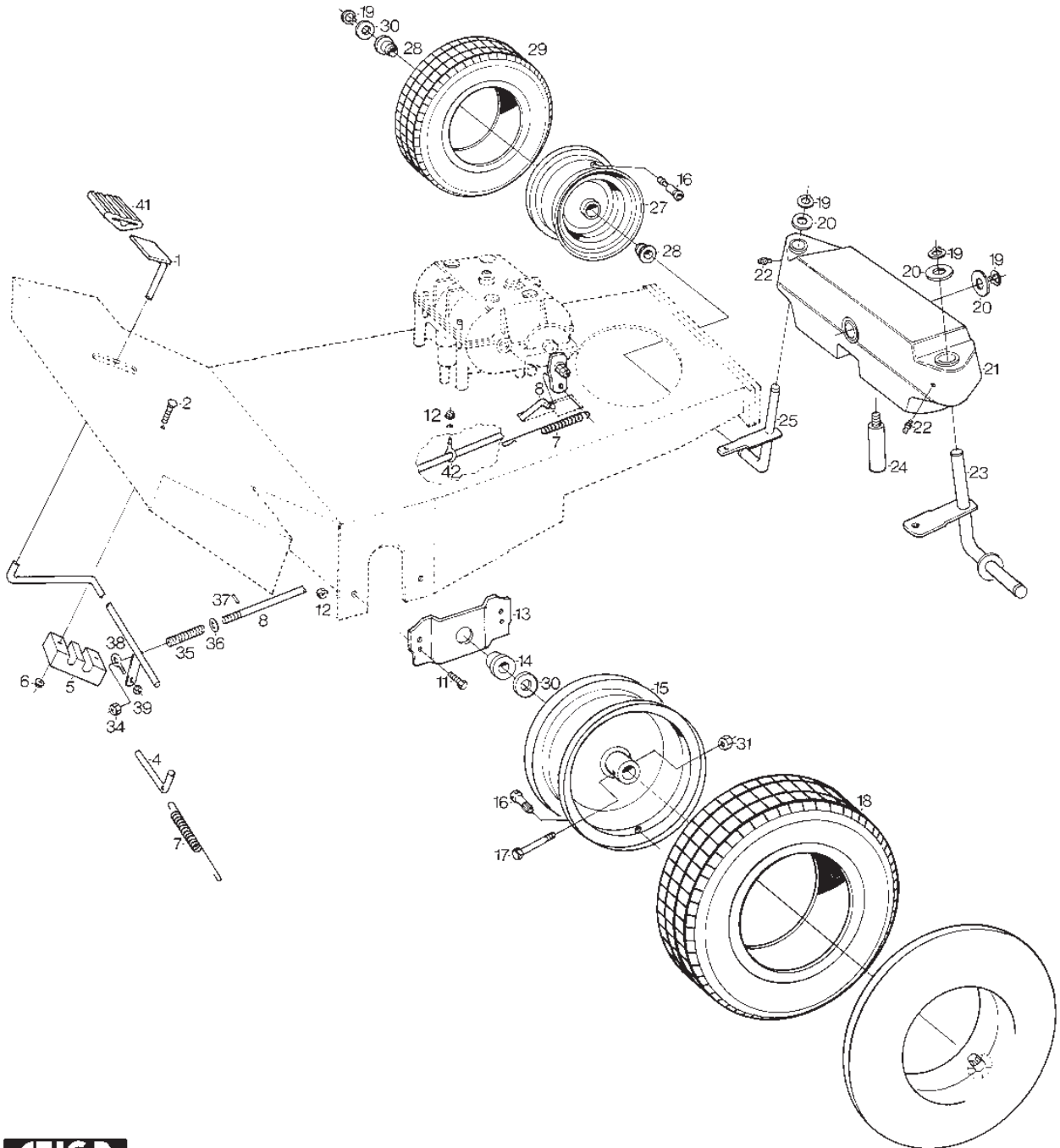
Utgåva Issue 37 - 2014		Chassi Elsystem		Chassis Electrical System	
Pos. Fig.	Antal Q.ty	Art nr Part No	Benämning	Description	Anmärkning Notes
35	1	1131-1455-00	Batterikabel (-)	Battery Cable (-)	
37	1	1134-0234-01	Batterikabel (+)	Battery Cable (+)	
14	1	1134-1595-02	Stötfångare Kpl	Tube	
13	2	1134-1643-01	Gummislang	Rubberhose	
41	1	1134-1814-01	Tändningslås Kpl Service	Starter Switch Assy.	
32	1	1134-1922-01	Batteriplatta	Battery Plate	
1	1	1134-1963-05	Motorhuv kpl	Engine casing assy	
99	1	1134-2159-01	Bearing	Bearing	
25	1	1134-2267-01	Gallerinsats Villa	Guarding Net	
52	1	1134-2310-01	Batteriskydd	Guard Cap (+)	
31	1	1134-2333-01	Batteriunderlägg	Battery Pad	
7	1	1134-2358-01	Motorlucka	Engine cover	Inkl.pos. 25
42	1	1134-2848-01	Tändningsnyckel	Ignition Key	
39	1	1134-2956-01	Kabelhärva	Harness	
45	1	1134-2962-01	Solenoid Kpl Service	Solenoid	
39	1	1134-2995-01	Kabelhärva	Cable Harness	
20	1	1134-3536-01	Durkmatta Villa	Floor Mat	
99	1	1134-3557-01	Dekalsats	Label Kit	
99	1	1134-3557-01	Dekalsats	Label Kit	
2	1	1134-9028-01	Gummistropp (3 St)	Rubber Strap (3 Pcs)	
21	1	1134-9028-01	Gummistropp (3 St)	Rubber Strap (3 Pcs)	
21	2	1134-9028-01	Gummistropp (3 St)	Rubber Strap (3 Pcs)	
56	2	1134-3300-01	Batterisyra	Battery Acid	2 x 0.85 liter
33	1	9400-0064-02	Batterihållare	Battery Holder	
30	1	9400-0086-00	Batteri	Battery	
43	1	9400-0105-01	Brytare	Switch	
12	2	9403-0015-70	Plugg	Plug	
5	2	9405-0029-00	Knopp	Knob	
15	1	9501-0500-00	Smörjkopp Kort Rak	Grease Dispenser	
6	3	9632-0516-00	Popnit Tap/D/Bs 416 Gf9.5	Pop Rivet	
4	1	9699-0054-02	Bricka	Washer	
23	2	9699-0087-02	Bricka	Washer	
16	2	9739-0831-22	Mutter	Nut	
46	2	9794-5131-02	Mutter	Nut	
44	4	9849-8009-16	Skruv	Screw	
22	2	9849-8013-16	Skruv	Screw	
34	1	9942-0612-16	Skruv	Screw	
17	2	9959-0816-16	Skruv	Screw	



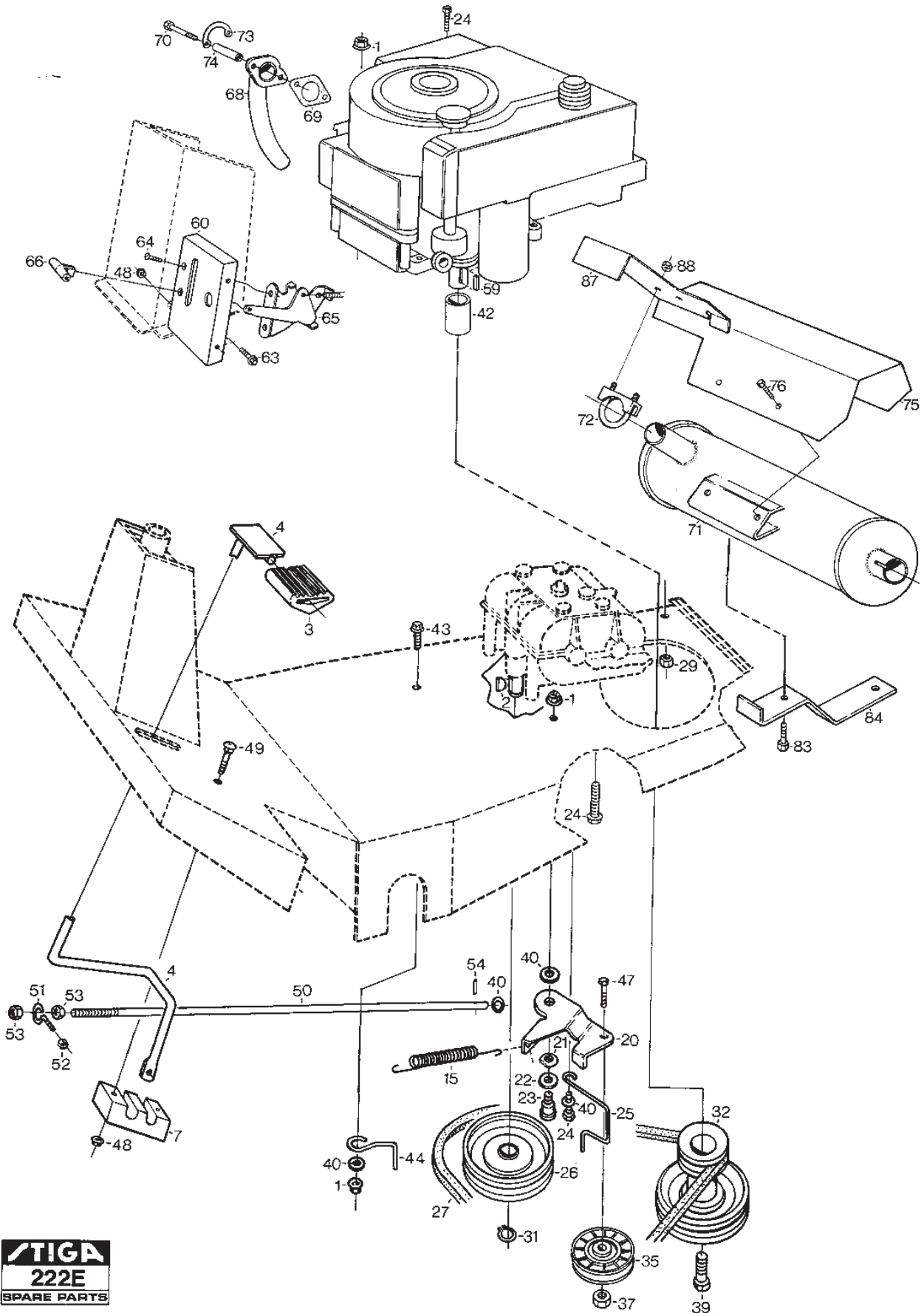
Utgåva Issue 37 - 2014		Styrning Sits Steering Seat			
Pos. Fig.	Antal Q.ty	Art nr Part No	Benämning	Description	Anmärkning Notes
33	2	9672-0004-02	Starlock	Starlock	
68	2	9672-0006-02	Starlock	Lock washer	
45	1	1134-0015-00	Sitsfjäder	Seat spring	
32	1	1134-0022-00	Reglagestång	Control Rod	
9	4	1134-0041-01	Bussning	Bushing	
49	1	1134-0050-00	Sitsstång	Seat Rod	
20	1	1134-0341-01	Bricka	Washer	
50	1	1134-0493-00	Mutter	Nut	
65	1	1134-0800-06	Sits Sears Sa 1216 (9407-0003-01)	Seat Sears Sa 1216 (9407-0003-01) 20	
16	1	1134-1310-01	Fjäder	Spring	
5	1	1134-1424-01	Rattstång	Steering Rod	
25	2	1134-1427-01	Parallellstag	Tie Rod	- 920201
23	1	1134-1500-01	Linhjul	Steering Pulley	- 920201
23	1	1134-1500-02	Linhjul	Steering Pulley	920202 -
52	2	1134-1650-01	Parallellstag5-01 F24	Tie Bar	
48	1	1134-1652-01	Fjäder	Spring	
58	2	1134-1711-01	Knopp	Knob	
44	1	1134-1883-01	Axel	Axle	
6	2	1134-1901-01	Lager	Bearing	
8	1	1134-1933-01	Linhjul	Steering Pulley	
1	1	1134-1967-01	Ratt	Steering Wheel	
34	1	1134-2163-01	Spännstång Kpl.	Rod	
35	1	1134-2166-01	Distans	Spacer	
67	1	1134-2454-01	Axel	Shaft	
65	1	1134-2541-01	Sits Suburban Sa 10314	Seat	Tyskland (DE)-Villa11
43	1	1134-2846-01	Rör	Tube	
69	1	1134-2847-01	Mellanstag	Shaft	
54	2	1134-2961-01	Sitsadapter 5-01 24	Seat Adapter	
11	3	1134-3022-01	Fäste	Bracket	
70	1	1134-3022-01	Fäste	Bracket	
25	1	1134-3247-02	Parallellstag	Tie Rod	920202 -
42	1	1134-3252-02	Sitskonsol-gul	Seat Bracket-Yellow	
63	1	1134-3618-01	Sitsfäste Kpl. 5-01 14	Seat Attachment-R.H.	
64	1	1134-3618-02	Sitsfäste Kpl. 5-01 14	Seat Attachment-L.H.	
13	1	1134-9023-01	Styrwire	Steering Wire	
19	1	1134-9024-01	Lager (4 St)	Bearing	
10	2	1134-9025-01	Linhjul	Steering Pulley	
24	4	9570-0002-00	Vinkellänk As13 Din 71802M8	Elbow Link	- 920201
2	1	9595-0262-00	Spännstift	Locating Pin	
4	1	9595-0262-00	Spännstift	Locating Pin	
21	1	9650-0020-04	Spårring Sga 20	Circlip	
53	4	9675-0017-02	Låsbricka	Starlock	
71	2	9699-0028-02	Bricka	Washer	920202 -
57	2	9699-0062-02	Bricka	Washer	
15	1	9699-0090-02	Bricka	Washer	
3	1	9699-0103-02	Bricka	Washer	0.5 mm
3	1	9699-0114-02	Bricka	Washer	1.0 mm
18	4	9739-0831-22	Mutter	Nut	



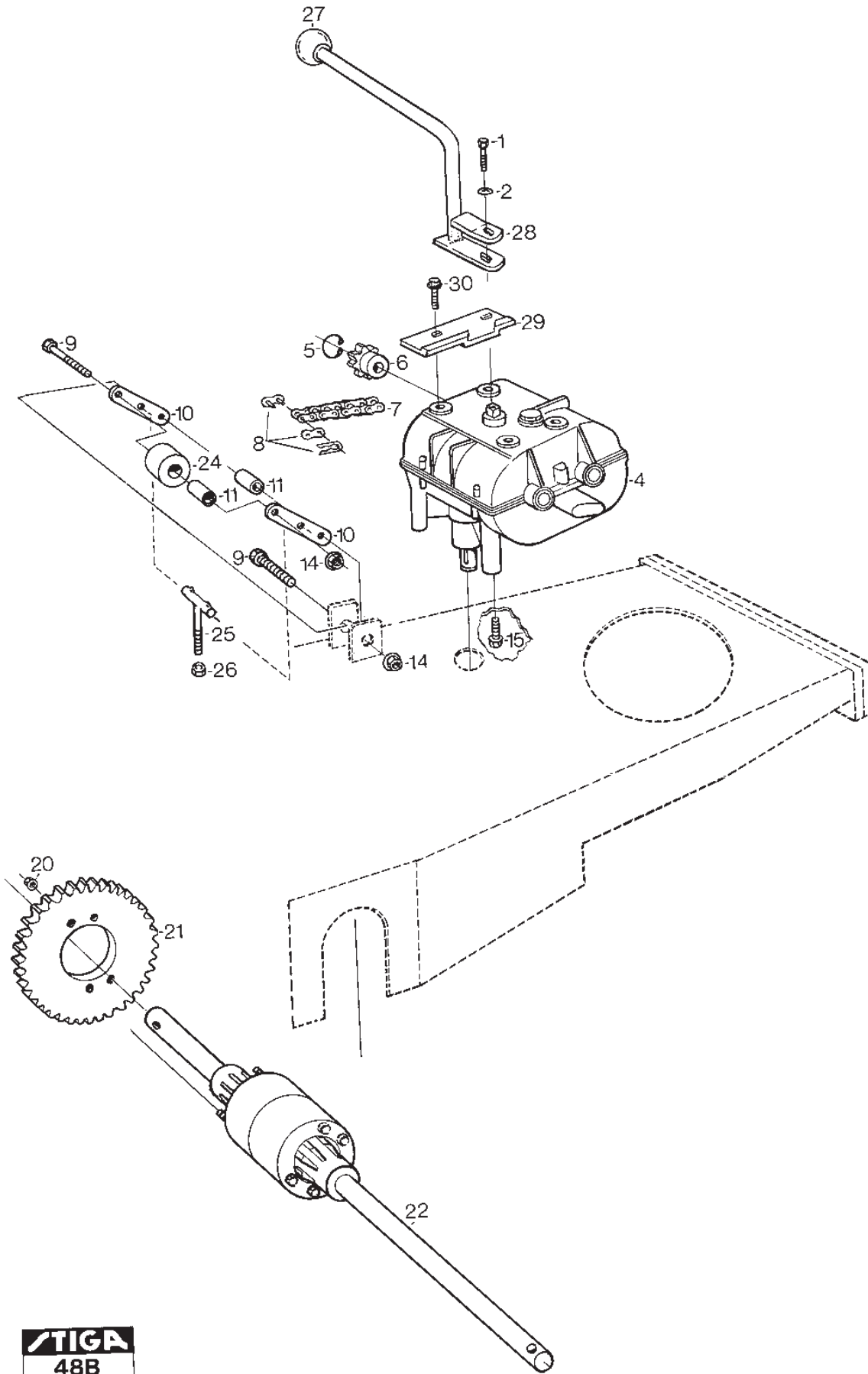
Utgåva Issue 37 - 2014		Styrning Sits Steering Seat			
Pos. Fig.	Antal Q.ty	Art nr Part No	Benämning	Description	Anmärkning Notes
14	5	9747-0831-02	Mutter Låsmutter	Nut	
22	4	9799-0831-02	Mutter	Nut	
55	2	9898-0820-16	Skruv	Screw	
12	4	9942-1030-16	Skruv	Screw	
17	5	9959-0816-16	Skruv	Screw	
30	1	9959-0825-16	Skruv	Screw	
56	4	9988-3616-16	Skruv	Screw	
72	4	9997-0825-16	Skruv	Screw	920202 -



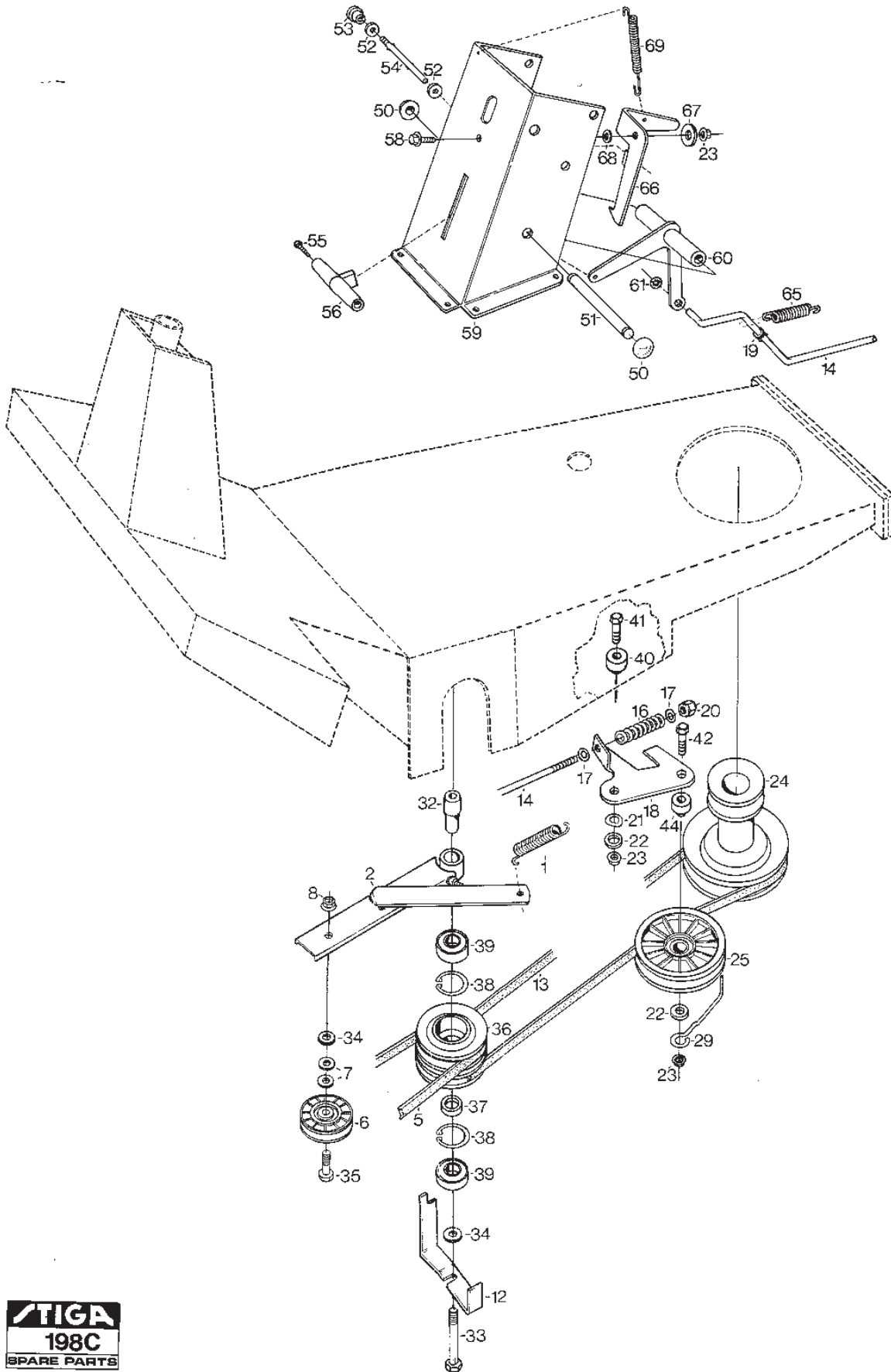
Utgåva Issue 37 - 2014		Hjulupphängning Bromssystem		Wheel Suspension Brake System	
Pos. Fig.	Antal Q.ty	Art nr Part No	Benämning	Description	Anmärkning Notes
41	1	1134-0269-00	Pedalgummi	Pedal Rubber	
30	4	1134-0341-01	Bricka	Washer	
35	1	1134-1023-00	Fjäder	Brake Spring	
17	2	1134-1348-01	Skruv	Screw	
23	1	1134-1428-01	Spindel-vä	Spindle Lh	
25	1	1134-1428-02	Spindel-hö	Spindle Rh	
24	1	1134-1583-01	Axel	Shaft For Steering Pulley	
21	1	1134-1634-01	Bakaxel	Rear axle	
14	2	1134-1875-01	Bussning	Bushing	
13	2	1134-1876-01	Bakaxelfäste 5-01 24	Rear Axle Mounting	
38	1	1134-1889-01	Skruvögla	Eye Bolt	
5	1	1134-1927-01	Lager 5-01	Bearing	
4	1	1134-1934-01	Distans	Spacer	
1	1	1134-1979-01	Pedal Kpl 5-01	Brake Pedal	
8	1	1134-1980-01	Bromsstång	Brake Rod	
42	1	1134-2138-01	Skruvögla	Eye Bolt	
27	2	1134-2669-01	Fälg kpl	Rim assy	
15	2	1134-3176-01	Fälg	Rim	
28	1	1134-9026-01	Bussning	Bearing	
7	2	4231-0013-00	Fjäder	Spring	
22	2	9501-0500-00	Smörjkopp Kort Rak	Grease Dispenser	
18	2	9545-0116-00	Däck	Tyre	16 x 7.50-8
18	2	9545-0116-00	Däck	Tyre	16 x 7.50-8
29	2	9545-0117-00	Däck	Tyre	13 x 5.00-6
18	2	9545-0120-00	Däck	Tyre	16 x 7.50-8
18	2	9545-0120-00	Däck	Tyre	16 x 7.50-8
18	1	9545-0203-00	Innerslang	Inner Tube	
18A	1	9545-0203-00	Innerslang	Inner Tube	Reservdel/spare part
29	1	9545-0204-00	Innerslang	Inner Tube	
29A	1	9545-0204-00	Innerslang	Inner Tube	Reservdel/spare part
16	4	9545-0500-00	Ventil	Valve Assy.	
37	1	9595-0160-00	Spiralspnst Prym N3X16	Locating Pin	
19	5	9650-0020-04	Spårring Sga 20	Circlip	
20	3	9699-0088-02	Bricka	Washer	
36	1	9699-0090-02	Bricka	Washer	
6	2	9739-0631-22	Strålkastare Mutter	Working lamp Nut	
12	5	9739-0831-22	Mutter	Nut	
31	2	9743-3721-32	Mutter	Nut	
39	1	9747-0631-02	Mutter Låsmutter	Nut	
34	1	9747-0831-02	Mutter Låsmutter	Nut	
2	2	9898-0635-12	Skruv	Screw	
11	4	9959-0820-16	Skruv	Screw	



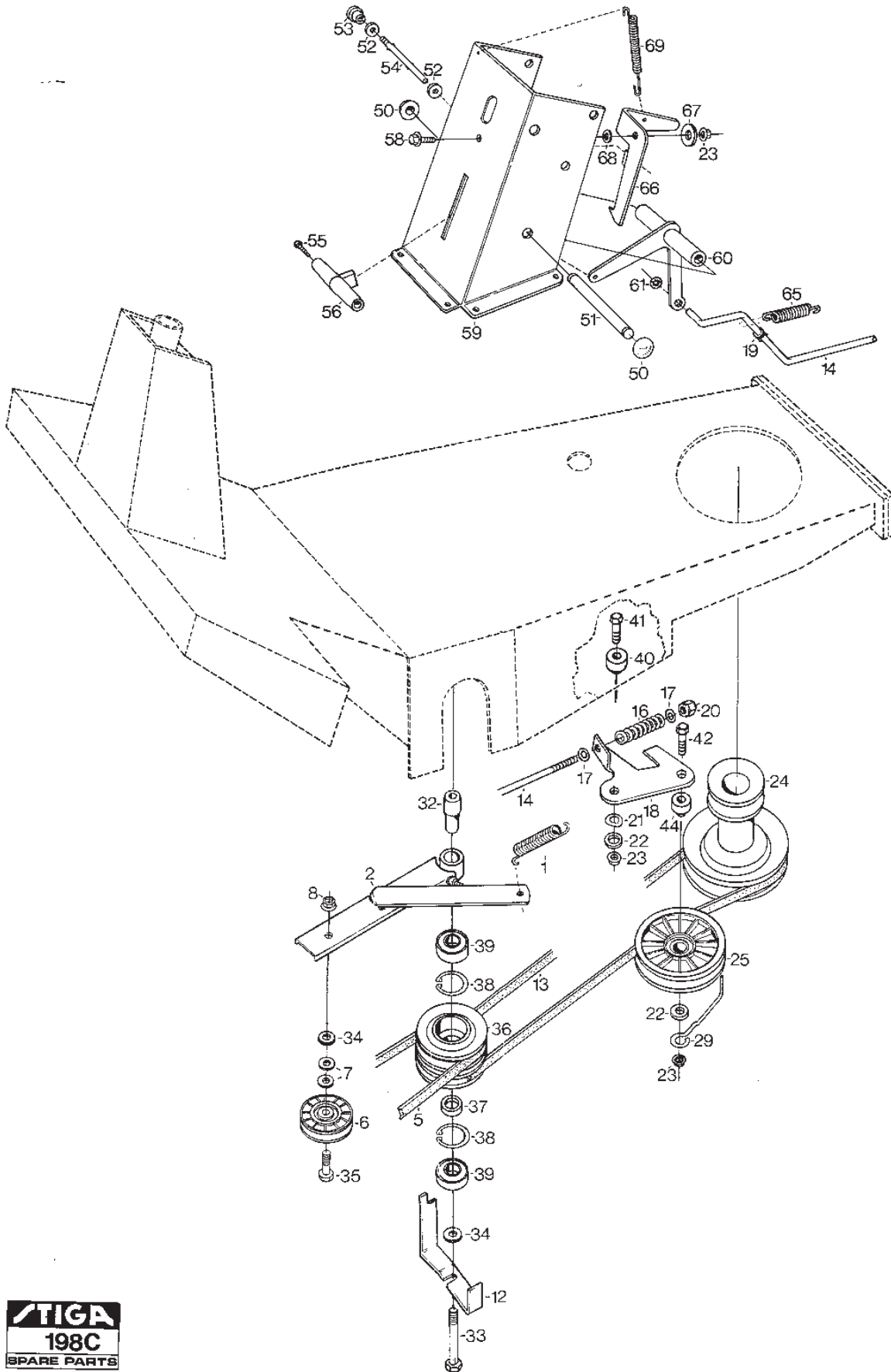
Utgåva Issue 37 - 2014		Transmission Motor		Transmission Engine	
Pos. Fig.	Antal Q.ty	Art nr Part No	Benämning	Description	Anmärkning Notes
25	1	1134-0139-01	Remskydd	Belt Guard	
23	1	1134-0240-00	Skruv	Screw	
3	1	1134-0269-00	Pedalgummi	Pedal Rubber	
42	1	1134-1364-02	Distansring	Spacer Ring	
60	1	1134-1594-01	Instrumentpanel(5-01 F12)	Panel	
20	1	1134-1631-02	Spännarm 5-01 15	Tension Arm	
32	1	1134-1633-01	Motorremskiva	Engine Belt Pulley	
32	1	1134-1633-01	Motorremskiva	Engine Belt Pulley	
44	1	1134-1795-01	Remhållare	Belt Stirrup	
26	1	1134-1849-01	Remskiva	Belt Pulley	
51	1	1134-1889-01	Skruvögla	Eye Bolt	
7	1	1134-1927-01	Lager 5-01	Bearing	
50	1	1134-1931-01	Kopplingsstång	Clutch Control Rod	
15	1	1134-1949-01	Fjäder	Spring	
65	1	1134-1975-01	Gasreglage	Throttle Cable	
4	1	1134-2123-02	Kopplingspedal Kpl	Clutch Pedal	
27	1	1134-9008-01	Kilrem	V-Belt	=9585-0050-00
35	1	1134-9027-01	Spännrulle (Svart)	Tension Roller (Black)	
66	1	9403-0035-10	Knopp	Knob	
54	1	9595-0160-00	Spiralspnst Prym N3X16	Locating Pin	
2	1	9600-0050-00	Kil	Key	
59	1	9600-0250-00	Kil	Key	
31	1	9650-0016-04	Spårring Sga 16	Circlip	
21	1	9696-0013-01	Bricka	Washer	
22	1	9699-0037-02	Bricka	Washer	
40	4	9699-0090-02	Bricka	Washer	
48	4	9739-0631-22	Strålkastare Mutter	Working lamp Nut	
1	4	9739-0831-22	Mutter	Nut	
37	1	9739-1031-22	Mutter	Nut	
52	1	9747-0631-02	Mutter Låsmutter	Nut	
29	1	9747-0831-02	Mutter Låsmutter	Nut	
53	2	9799-0831-02	Mutter	Nut	
64	2	9849-8009-16	Skruv	Screw	
49	2	9898-0635-12	Skruv	Screw	
63	2	9959-0612-16	Skruv	Screw	
43	1	9959-0825-16	Skruv	Screw	
39	1	9987-5338-12	Skruv	Screw	
24	5	9997-0840-16	Skruv	Screw	
47	1	9997-1030-16	Skruv	Screw	
32	1	9997-1450-16	Skruv	Screw	Tillbehör/accessory
32	1	9997-1450-16	Skruv	Screw	Tillbehör/Accessory
32	1	9997-1450-16	Skruv	Screw	Tillbehör/Accessory



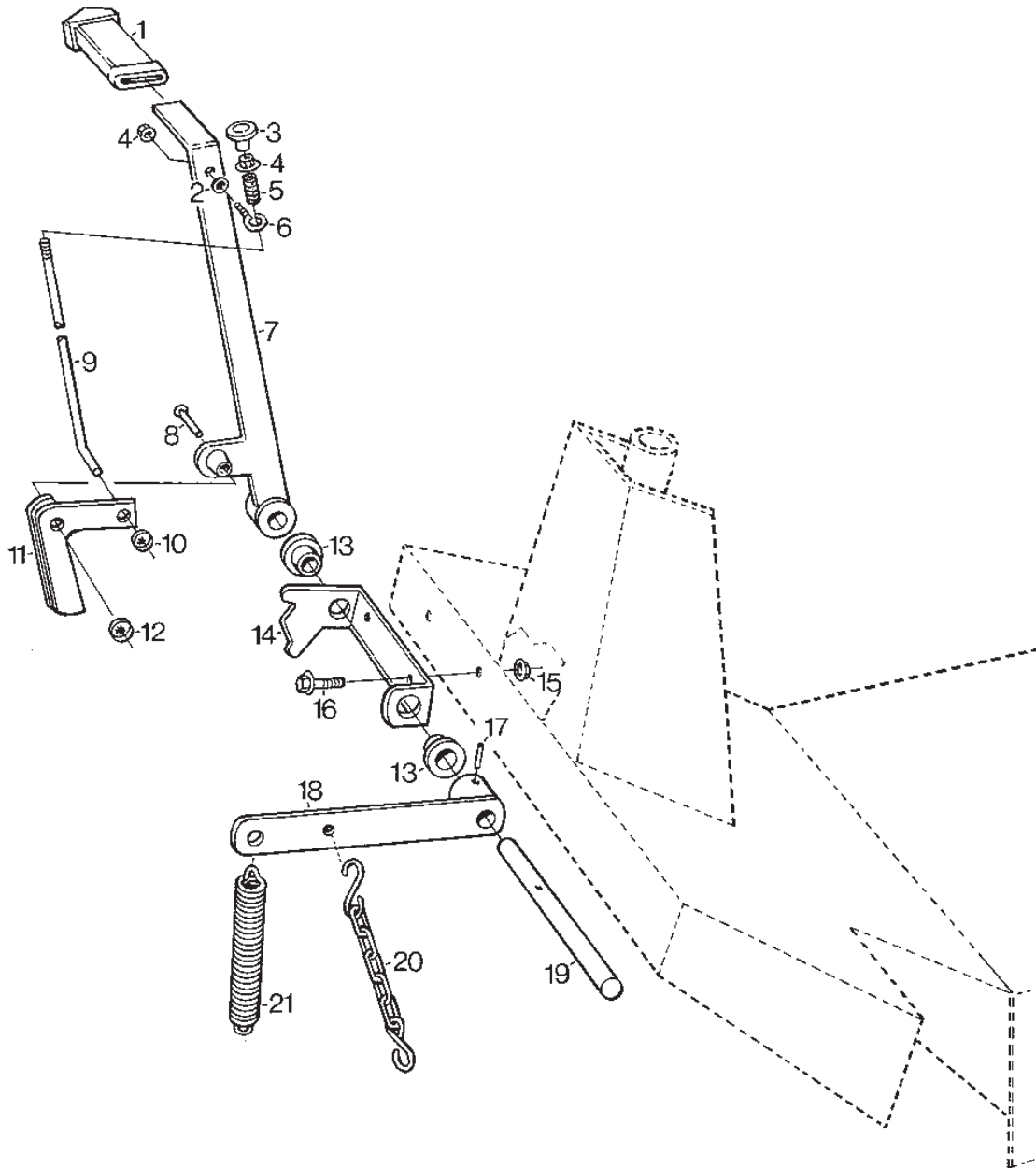
Utgåva Issue 37 - 2014		Transmission		Transmission	
Pos. Fig.	Antal Q.ty	Art nr Part No	Benämning	Description	Anmärkning Notes
6	1	786114	Sprocket	Sprocket	
5	1	792072	Circlip	Circlip	
7	1	9589-0008-02	Chain w. chain lock	Chain w. chain lock	
10	2	1134-1561-01	Hävarm	Lever	
11	2	1134-1565-01	Distans	Spacer	
21	1	1134-1691-02	Kedjehjul	Sprocket	
22	1	1134-1694-04	Differentiell	Differential	Peerless 100-019B
29	1	1134-1916-01	Spärrplatta 5-01	Stop Plate	
27	1	1134-1925-02	Växelspak Smst5-01	Gear Shifter	
24	1	1134-1936-01	Spännrulle	Tensioning Roller	
25	1	1134-1942-01	Skruv	Screw	
28	1	1134-1981-01	Böjstopp	Shift Lock	
4	1	9500-9949-00	Växellåda 781B	Gear Box 781B	19 Peerless 781A
8	1	9589-0504-00	Kedjelås	Chain Fastener	
2	1	9699-0060-02	Bricka	Washer	
14	2	9739-0831-22	Mutter	Nut	
20	4	9743-3621-32	Mutter	Nut	
26	1	9747-0831-02	Mutter Låsmutter	Nut	
20	4	9795-3631-02	Mutter	Nut	
20	4	9795-3631-02	Mutter	Nut	
30	2	9942-0816-16	Skruv	Screw	
1	1	9987-5016-16	Skruv	Screw	
15	4	9988-3619-16	Skruv	Screw	
9	2	9997-0855-12	Skruv	Screw	
6	1	P000-7861-14	Sprocket	Sprocket	
6	1	P000-7861-14	Sprocket	Sprocket	
5	1	P000-7920-72	Retaining ring	Retaining ring	
5	1	P000-7920-72	Retaining ring	Retaining ring	



Utgåva Issue 37 - 2014		Power Take Off			
Pos. Fig.	Antal Q.ty	Art nr Part No	Benämning	Description	Anmärkning Notes
50	2	9672-0004-02	Starlock	Starlock	
69	1	1131-1497-01	Fjäder	Brake Spring	
65	1	1131-1506-00	Fjäder	Spring	
51	1	1134-0022-00	Reglagestång	Control Rod	
60	1	1134-0027-01	Reglagespak	Control Lever	
37	1	1134-0051-07	Distans	Spacer	
67	1	1134-0143-00	Bricka	Washer	
56	1	1134-0153-00	T-Handtag	Handle Gear Shifter	
53	1	1134-0583-00	Knopp	Knob	
16	1	1134-1023-00	Fjäder	Brake Spring	
18	1	1134-1438-02	Spännarm	Tensioning Arm	
1	1	1134-1446-01	Kåpfjäder	Spring For Casing	
36	1	1134-1486-01	Dubbelremskiva Kpl Villa	Double V-Belt Pulley	
12	1	1134-1569-01	Remstyrning	Belt Guide	
24	1	1134-1633-01	Motorremskiva	Engine Belt Pulley	
24	1	1134-1633-01	Motorremskiva	Engine Belt Pulley	
29	1	1134-1647-01	Remhållare	Belt Stirrup	
40	1	1134-1838-01	Spännarmsfäste	Tension Arm Bracket	
32	1	1134-1839-01	Mellanaxel	Shaft	
2	1	1134-1866-01	Spännarm Smst Servicedet	Tensioning Arm Compl	
44	1	1134-1888-01	Distans	Spacer	
14	1	1134-1935-01	Länkstång	Link Rod	
54	1	1134-1972-01	Urkopplingsspak	Disengaging Lever	
66	1	1134-2453-01	Låshake	Locking Pawl	
25	1	1134-3053-01	Spännrulle	Tension Roller	
59	1	1134-3252-02	Sitskonsol-gul	Seat Bracket-Yellow	
5	1	1134-9009-01	Kilrem	V-Belt	= 9585-0052-00
13	1	1134-9010-01	Kilrem	V-Belt	= 9585-0053-00
6	1	1134-9027-01	Spännrulle (Svart)	Tension Roller (Black)	
39	2	9549-0019-00	Kullager	Ball Bearing	
38	2	9651-0040-04	Spårring Sgh 40	Circlip	
61	1	9675-0011-00	Låsbricka	Starlock	
68	1	9695-0002-00	Bricka	Washer	
21	1	9696-0013-01	Bricka	Washer	
52	2	9699-0025-02	Bricka	Washer	
17	2	9699-0028-02	Bricka	Washer	
7	2	9699-0035-02	Bricka	Washer	
34	2	9699-0035-02	Bricka	Washer	
22	2	9699-0062-02	Bricka	Washer	
19	1	9699-0090-02	Bricka	Washer	
23	3	9739-0831-22	Mutter	Nut	
8	1	9739-1031-22	Mutter	Nut	
20	1	9747-0831-02	Mutter Låsmutter	Nut	
55	1	9847-8016-16	Skruv	Screw	
58	1	9959-0820-16	Skruv	Screw	
42	1	9997-0845-12	Skruv	Screw	
41	1	9997-0855-12	Skruv	Screw	
35	1	9997-1035-16	Skruv	Screw	
33	1	9997-1080-12	Skruv	Screw	



Utgåva Issue 37 - 2014		Power Take Off			
Pos. Fig.	Antal Q.ty	Art nr Part No	Benämning	Description	Anmärkning Notes
24	1	9997-1450-16	Skruv	Screw	Tillbehör/Accessory
24	1	9997-1450-16	Skruv	Screw	Tillbehör/Accessory



Utgåva Issue 37 - 2014		Redskapslyft Lifting Device			
Pos. Fig.	Antal Q.ty	Art nr Part No	Benämning	Description	Anmärkning Notes
10	1	9675-0008-02	Starlockbricka	Starlock	
12	1	9675-0012-02	Starlock	Locking washer	
5	1	1111-0053-00	Fjäder	Spring	
14	1	1134-0536-00	Lyftsegment	Locking Plate	
3	1	1134-0583-00	Knopp	Knob	
9	1	1134-0858-00	Tryckstång	Push Rod	
7	1	1134-0859-03	Svärd	Bar	
0	1	1134-1437-02	röds kapslyft Smst Villa	Accessory Ricing Device	
21	1	1134-1578-01	Fjäder	Spring	
18	1	1134-1604-01	Lyftarm Kpl	Trippet	
20	1	1134-1605-01	Kedja	Chain	
19	1	1134-1884-01	Lyftaxel	Lifting Shaft	
6	1	1134-1889-01	Skruvögla	Eye Bolt	
13	2	1134-2684-01	Lager	Bearing	
11	1	1134-2911-01	Låshake	Locking Pawl	
1	1	9403-0110-01	Höjdinst.Handtag Ej Kapad	Handle	
17	2	9595-0258-00	Spännstift	Locating Pin	
8	1	9646-0099-22	Nit Kn 8X30	Rivet	
2	1	9699-0025-02	Bricka	Washer	
4	2	9739-0631-22	Strålkastare Mutter	Working lamp Nut	
15	2	9739-1031-22	Mutter	Nut	
16	2	9959-1020-16	Skruv	Screw	

