

STIGA

Reservdelskatalog Parts Catalogue

VILLA 9E

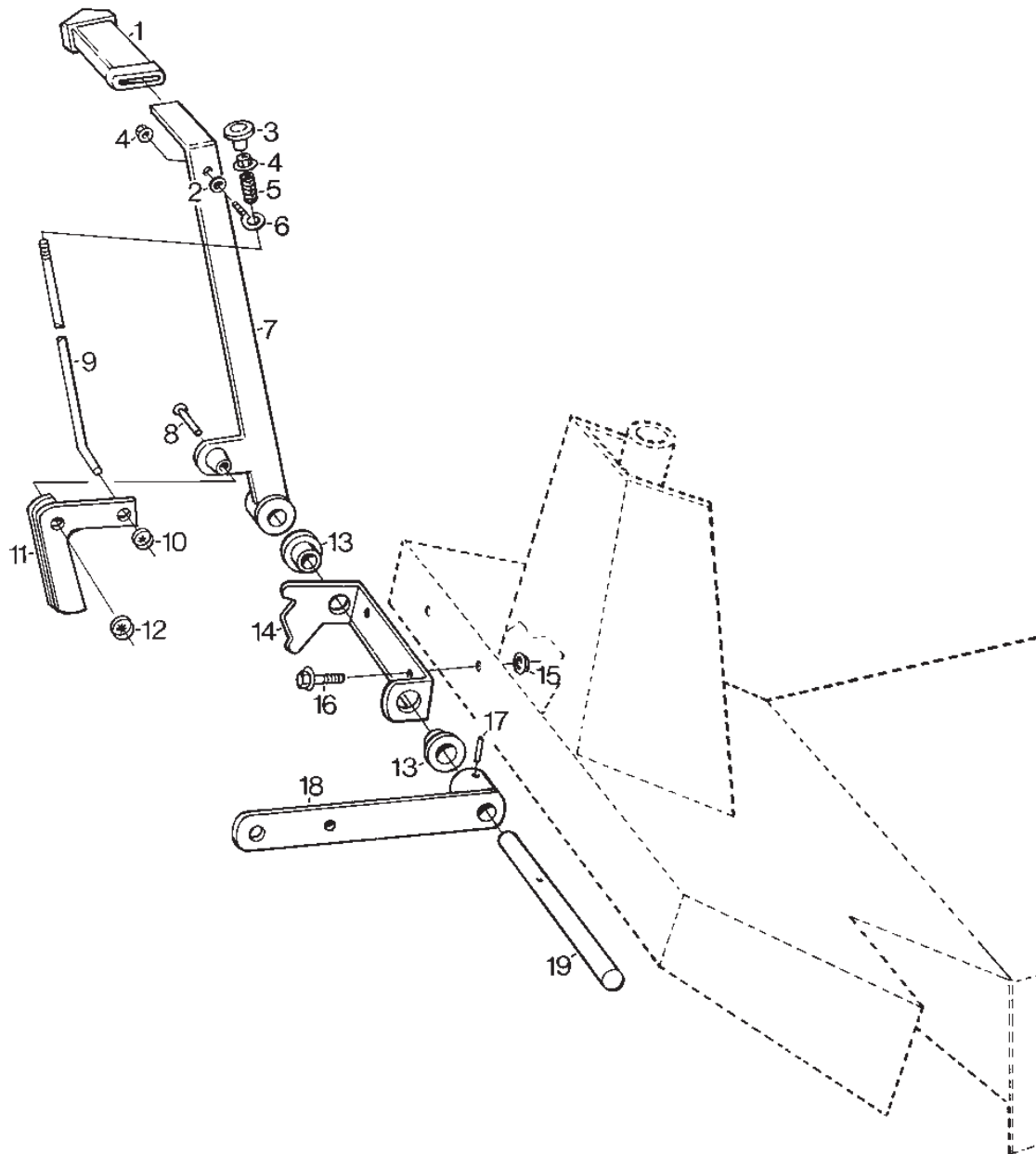
13-2855-20 - Season 1996

- Use GLOBAL GARDEN PRODUCT Genuine Spare Parts specified in the parts list for repair and/or replacement.
 - The contents described in the parts list may change due to improvement.
 - The drawings of the spare parts are only indicative and might not represent the part in question exactly.
 - The indications "right" - "left" - "front" - "rear" refer to the position of the operator when using the machine.
- When placing orders of parts for repair and/or replacement, make sure that the illustrated parts list is the one applying to the machine's year of manufacture, as shown on the identification plate attached to the machine.

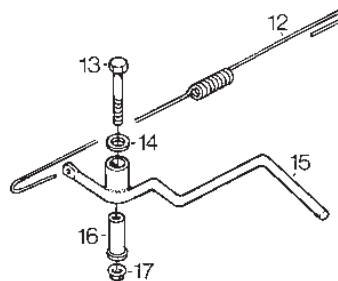
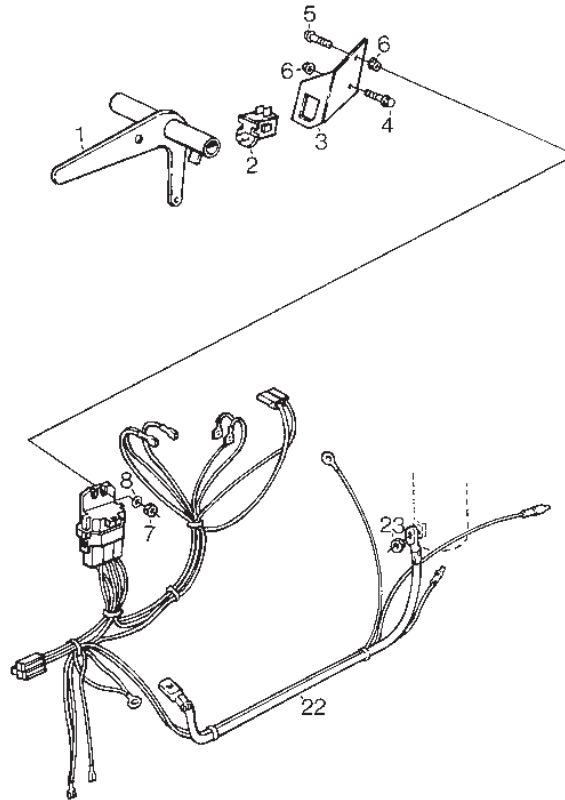
© Copyright 2014 Global Garden Products

All rights reserved. No part of this material may be reproduced or transmitted, in any form or by any means, electronic or mechanical, including photocopying, recording or by any information storage and retrieval system, without permission in writing from GLOBAL GARDEN PRODUCTS.

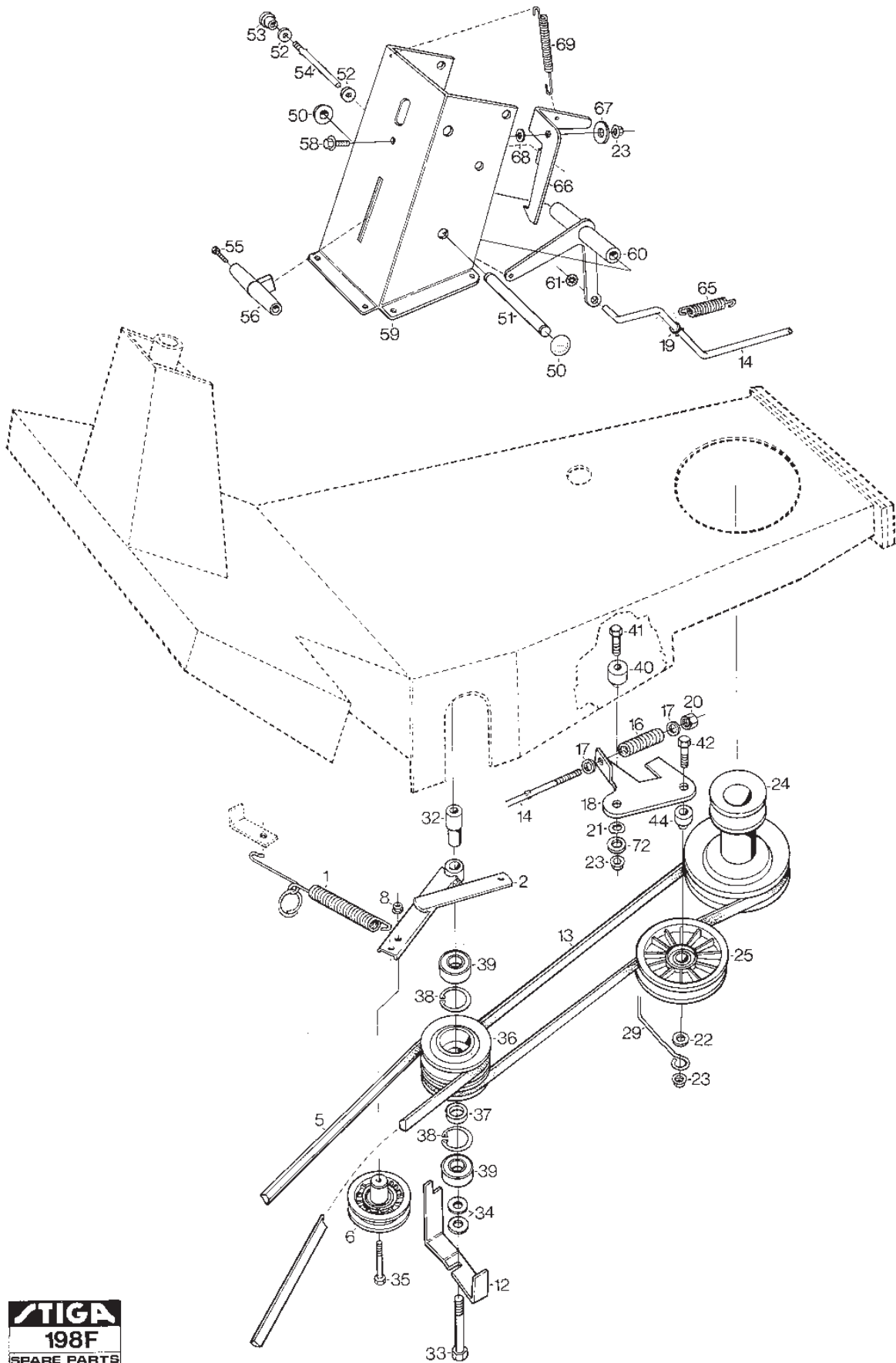
www.stiga.com



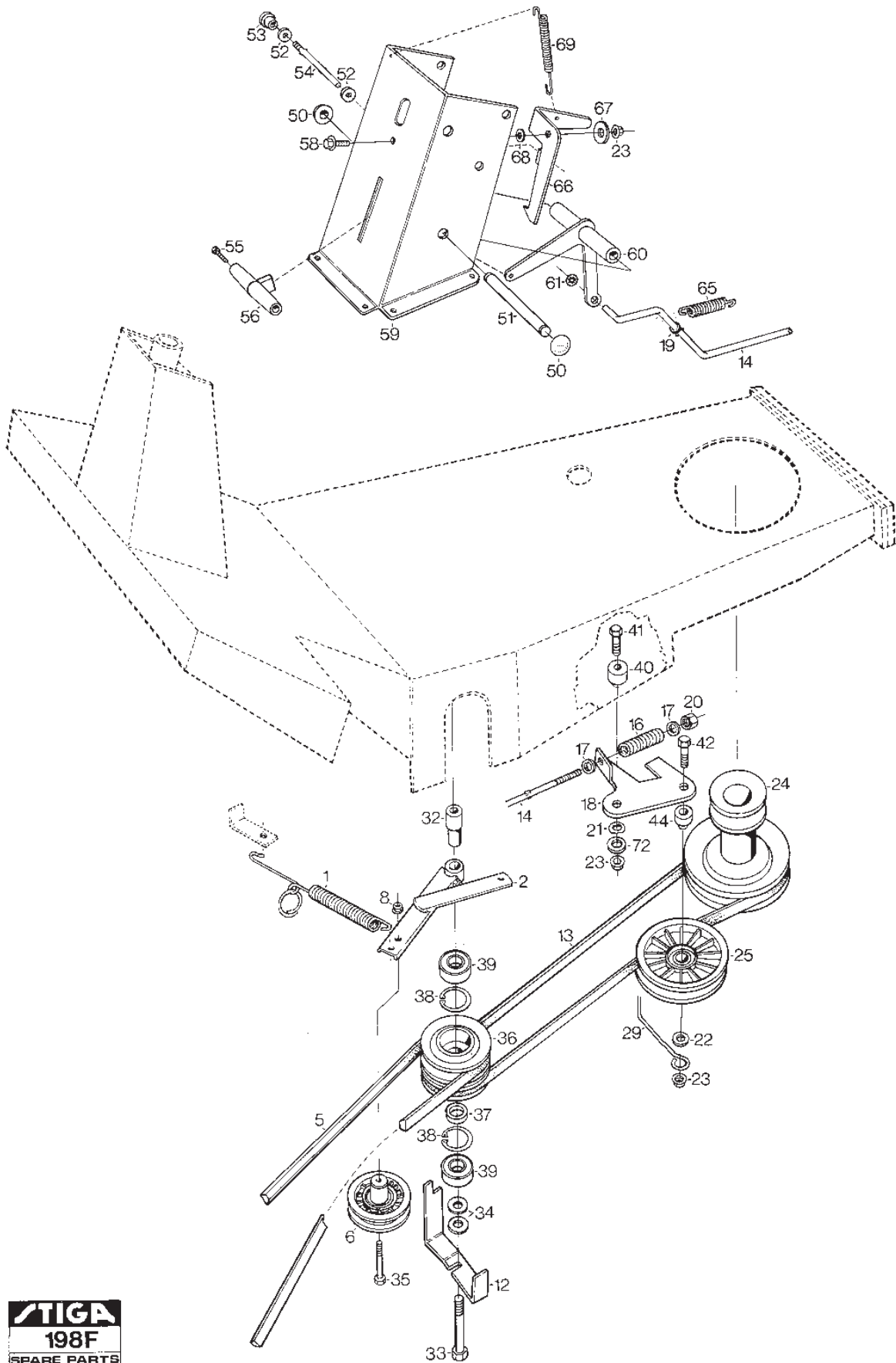
Utgåva Issue 37 - 2014		Redskapslyft Lifting Device			
Pos. Fig.	Antal Q.ty	Art nr Part No	Benämning	Description	Anmärkning Notes
10	1	9675-0008-02	Starlockbricka	Starlock	
12	1	9675-0012-02	Starlock	Locking washer	
5	1	1111-0053-00	Fjäder	Spring	
14	1	1134-0536-00	Lyftsegment	Locking Plate	
3	1	1134-0583-00	Knopp	Knob	
9	1	1134-0858-00	Tryckstång	Push Rod	
7	1	1134-0859-03	Svärd	Bar	
0	1	1134-1437-02	röds kapslyft Smst Villa	Accessory Ricing Device	
	1	1134-1437-02	röds kapslyft Smst Villa	Accessory Ricing Device	
18	1	1134-1604-01	Lyftarm Kpl	Trippet	
19	1	1134-1884-01	Lyftaxel	Lifting Shaft	
6	1	1134-1889-01	Skruvögla	Eye Bolt	
13	2	1134-2684-01	Lager	Bearing	
11	1	1134-2911-01	Låshake	Locking Pawl	
1	1	9403-0110-01	Höjdinst.Handtag Ej Kapad	Handle	
17	2	9595-0258-00	Spännstift	Locating Pin	
8	1	9646-0099-22	Nit Kn 8X30	Rivet	
2	1	9699-0025-02	Bricka	Washer	
4	2	9739-0631-22	Mutter Strålkastare	Nut Working lamp	
15	2	9739-1031-22	Mutter	Nut	
16	2	9959-1020-16	Skruv	Screw	



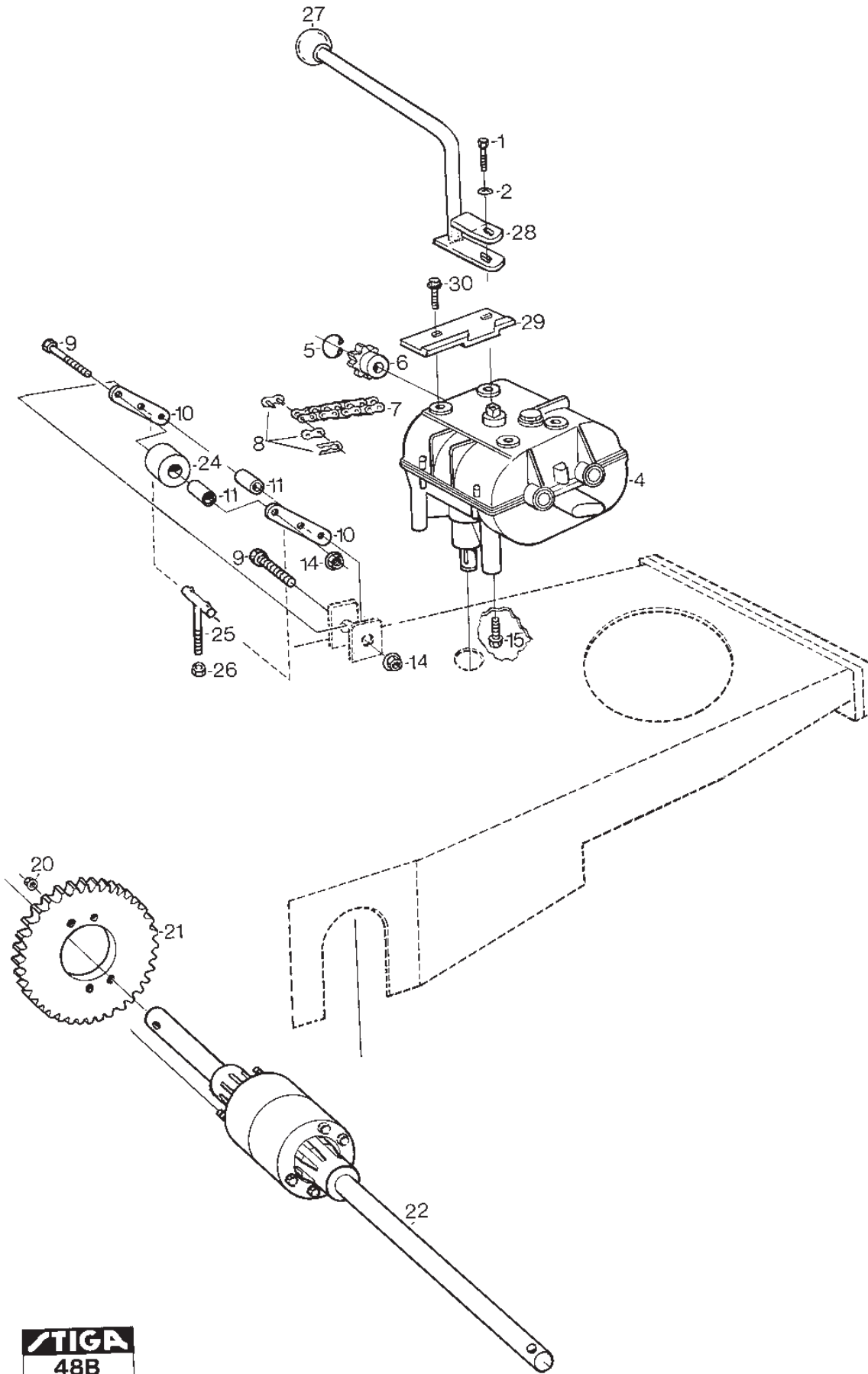
Utgåva Issue 37 - 2014		Kraftuttagsbroms (Vissa Modeller)		Pto-Brake (Certain Models Only)	
Pos. Fig.	Antal Q.ty	Art nr Part No	Benämning	Description	Anmärkning Notes
12	1	1134-3443-01	Fjäder	Brake Spring	
16	1	1134-3510-01	Distans	Spacer	
15	1	1134-3512-01	Bromsarm	Brake Lever	
14	1	9699-0056-02	Bricka	Washer	
17	1	9739-0831-22	Mutter	Nut	
13	1	9997-0855-12	Skruv	Screw	



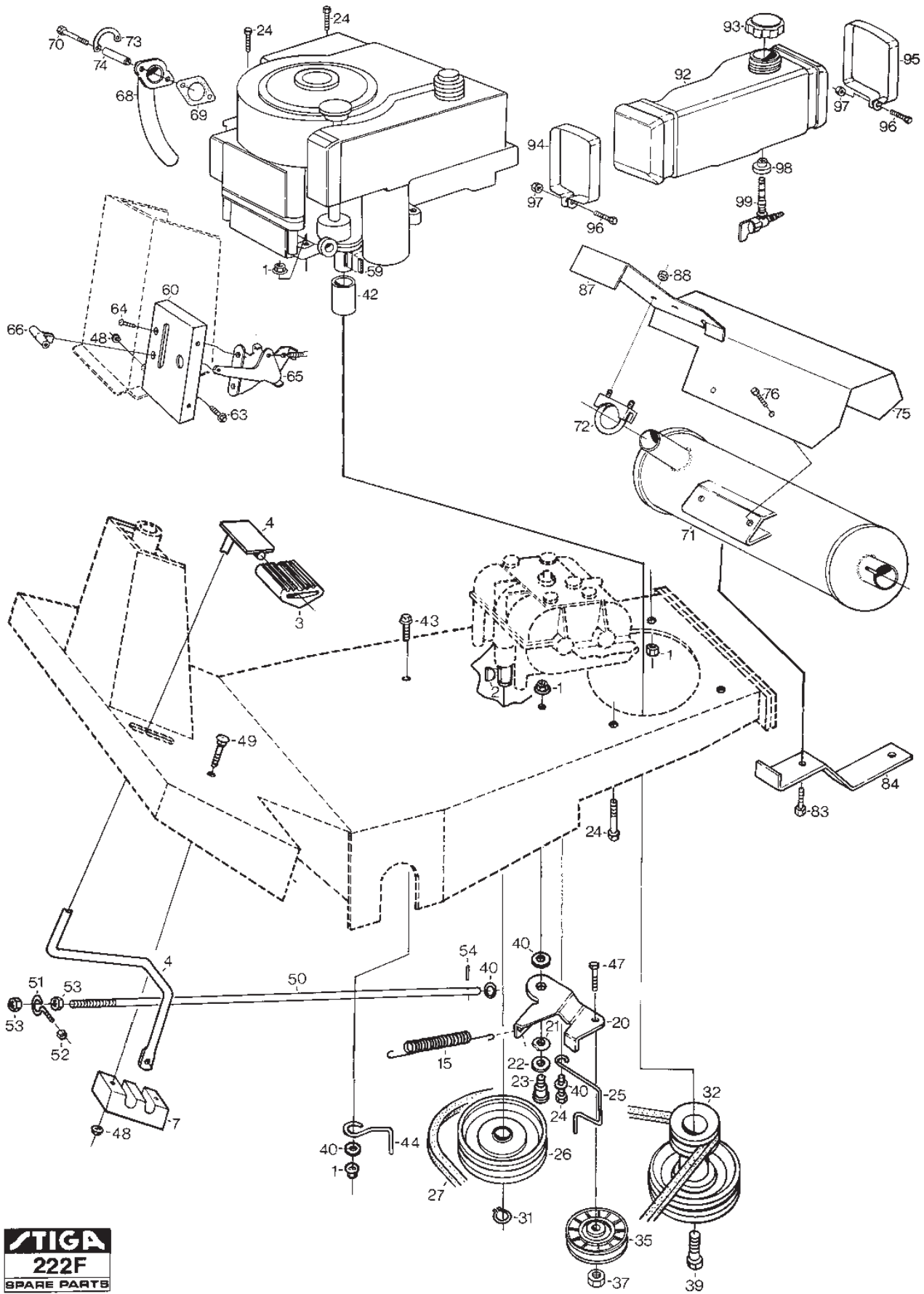
Utgåva Issue 37 - 2014		Power Take-Off			
Pos. Fig.	Antal Q.ty	Art nr Part No	Benämning	Description	Anmärkning Notes
50	2	9672-0004-02	Starlock	Starlock	
69	1	1131-1497-01	Fjäder	Brake Spring	
65	1	1131-1506-00	Fjäder	Spring	
51	1	1134-0022-00	Reglagestång	Control Rod	
60	1	1134-0027-01	Reglagespak	Control Lever	
37	1	1134-0051-07	Distans	Spacer	
67	1	1134-0143-00	Bricka	Washer	
56	1	1134-0153-00	T-Handtag	Handle Gear Shifter	
53	1	1134-0583-00	Knopp	Knob	
16	1	1134-1023-00	Fjäder	Brake Spring	
1	1	1134-1322-01	Fjäder	Tensioning Wheel Spring	
60	1	1134-1396-02	Spak	Lever	Art.no 2842
18	1	1134-1438-02	Spännarm	Tensioning Arm	
36	1	1134-1486-01	Dubbelremskiva Kpl Villa	Double V-Belt Pulley	
12	1	1134-1569-01	Remstyrning	Belt Guide	
24	1	1134-1633-01	Motorremskiva	Engine Belt Pulley	
29	1	1134-1647-01	Remhållare	Belt Stirrup	
40	1	1134-1838-01	Spännarmsfäste	Tension Arm Bracket	
32	1	1134-1839-01	Mellanaxel	Shaft	
2	1	1134-1866-01	Spännarm Smst Servicedet	Tensioning Arm Compl	
44	1	1134-1888-01	Distans	Spacer	
14	1	1134-1935-01	Länkstång	Link Rod	
54	1	1134-1972-01	Urkopplingsspak	Disengaging Lever	
66	1	1134-2453-01	Låshake	Locking Pawl	
6	1	1134-3043-01	Spännrulle	Tension Roller	
25	1	1134-3053-01	Spännrulle	Tension Roller	
59	1	1134-3252-02	Sitskonsol-gul	Seat Bracket-Yellow	
13	1	1134-9010-01	Kilrem	V-Belt	=9585-0053-00
5	1	1134-9031-01	Kilrem	V-Belt	=9585-0072-00
39	2	9549-0019-00	Kullager	Ball Bearing	
38	2	9651-0040-04	Spärring Sgh 40	Circlip	
61	1	9675-0011-00	Låsbricka	Starlock	
68	1	9695-0002-00	Bricka	Washer	
21	1	9696-0013-01	Bricka	Washer	
52	2	9699-0025-02	Bricka	Washer	
17	2	9699-0028-02	Bricka	Washer	
34	2	9699-0035-02	Bricka	Washer	
72	1	9699-0056-02	Bricka	Washer	
22	1	9699-0062-02	Bricka	Washer	
19	1	9699-0090-02	Bricka	Washer	
23	3	9739-0831-22	Mutter	Nut	
8	1	9739-1031-22	Mutter	Nut	
20	1	9747-0831-02	Mutter Låsmutter	Nut	
55	1	9847-8016-16	Skruv	Screw	
58	1	9959-0820-16	Skruv	Screw	
42	1	9997-0845-12	Skruv	Screw	
41	1	9997-0855-12	Skruv	Screw	
35	1	9997-1050-16	Skruv	Screw	
33	1	9997-1080-12	Skruv	Screw	



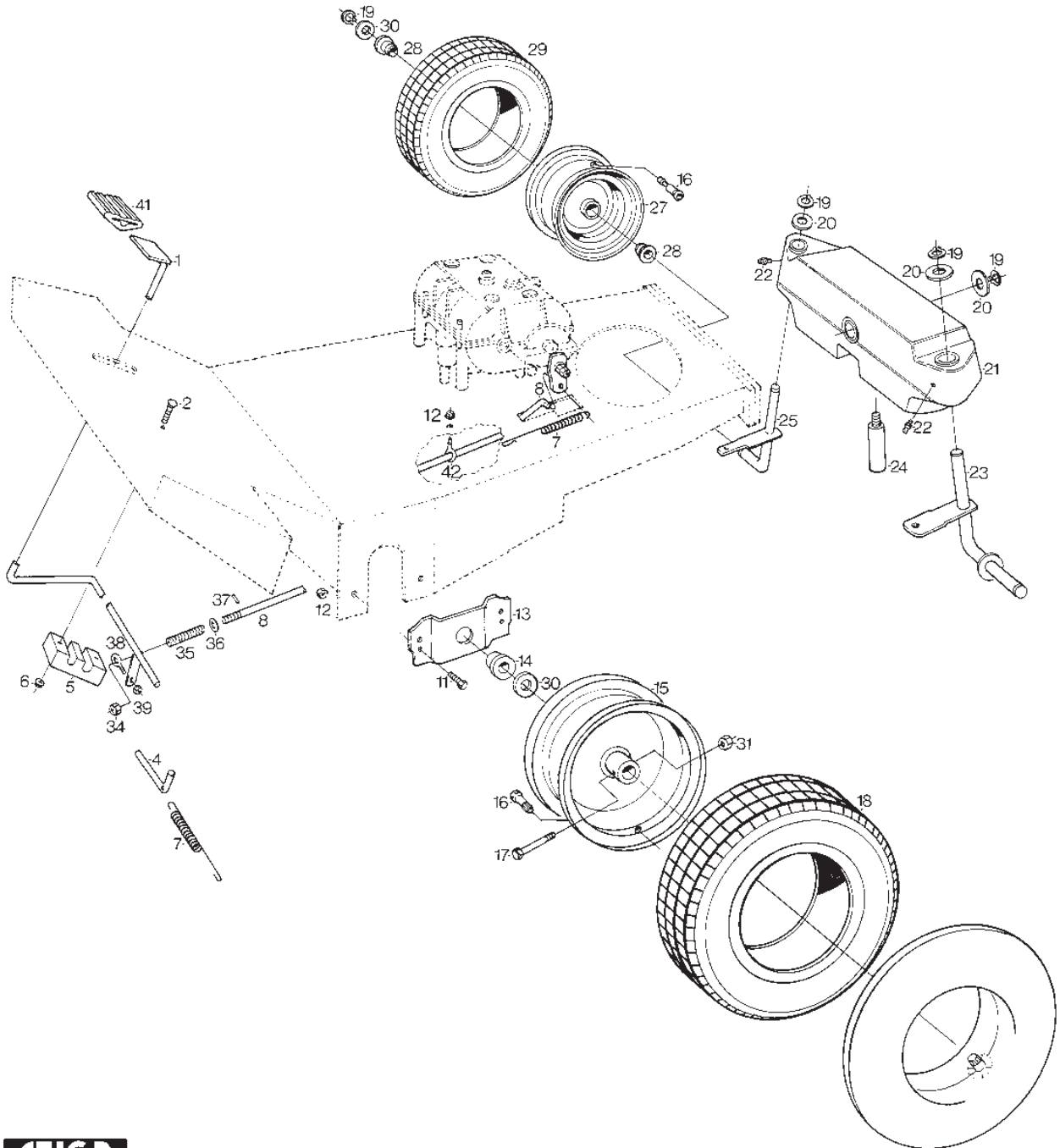
Utgåva Issue 37 - 2014		Power Take-Off			
Pos. Fig.	Antal Q.ty	Art nr Part No	Benämning	Description	Anmärkning Notes
24A	1	9997-1450-16	Skruv	Screw	Tillbehör/accessory



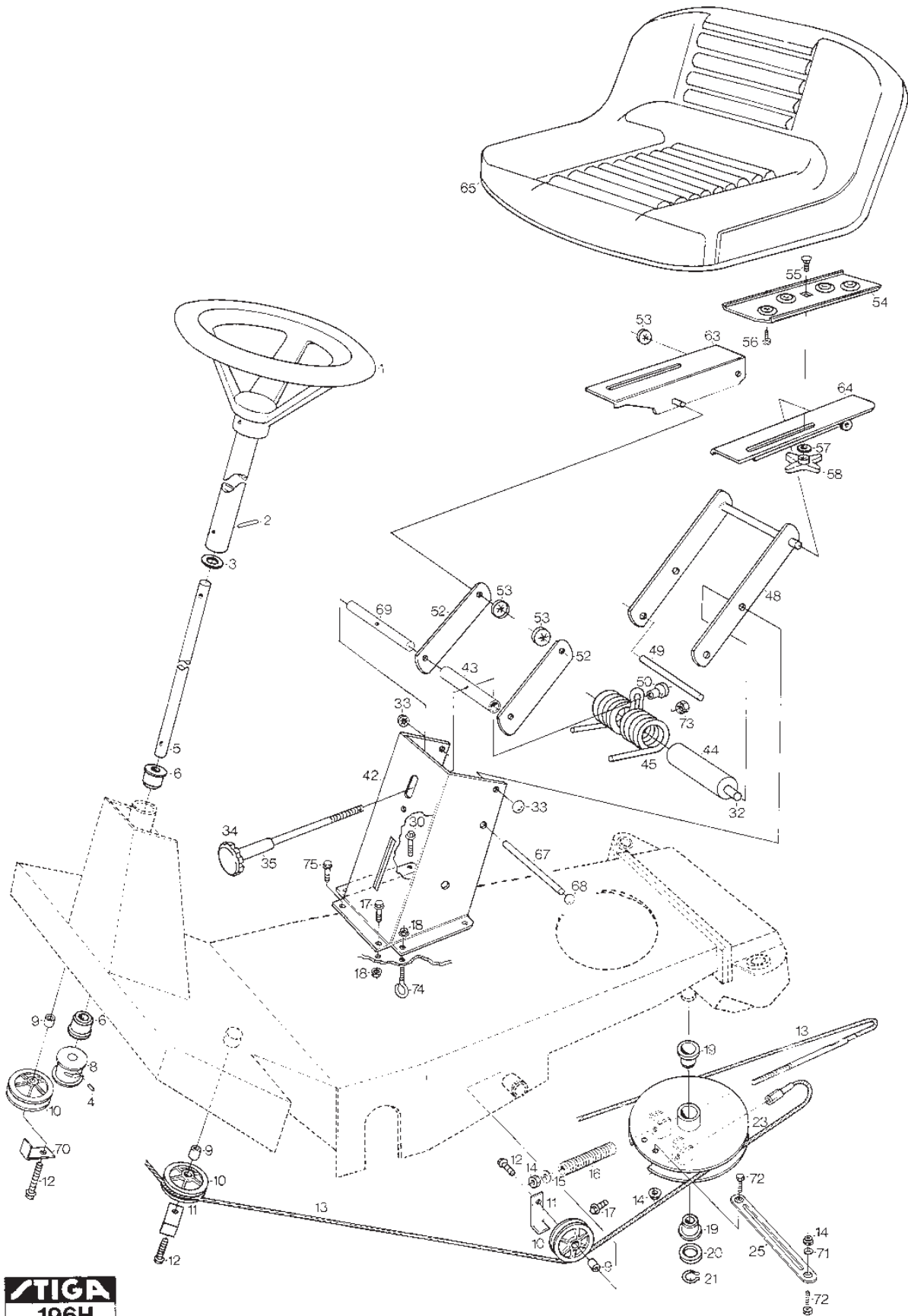
Utgåva Issue 37 - 2014		Transmission		Transmission	
Pos. Fig.	Antal Q.ty	Art nr Part No	Benämning	Description	Anmärkning Notes
6	1	786114	Sprocket	Sprocket	
5	1	792072	Circlip	Circlip	
7	1	9589-0008-02	Chain w. chain lock	Chain w. chain lock	
10	2	1134-1561-01	Hävarm	Lever	
11	2	1134-1565-01	Distans	Spacer	
21	1	1134-1691-02	Kedjehjul	Sprocket	
22	1	1134-1694-04	Differentiell	Differential	Peerless 100-019B
29	1	1134-1916-01	Spärrplatta 5-01	Stop Plate	
27	1	1134-1925-02	Växelspak Smst5-01	Gear Shifter	
24	1	1134-1936-01	Spännrulle	Tensioning Roller	
25	1	1134-1942-01	Skruv	Screw	
28	1	1134-1981-01	Böjstopp	Shift Lock	
4	1	9500-9949-00	Växellåda 781B	Gear Box 781B	19 Peerless 781A
8	1	9589-0504-00	Kedjelås	Chain Fastener	
2	1	9699-0060-02	Bricka	Washer	
14	2	9739-0831-22	Mutter	Nut	
20	4	9743-3621-32	Mutter	Nut	
26	1	9747-0831-02	Mutter Låsmutter	Nut	
20	4	9795-3631-02	Mutter	Nut	
20	4	9795-3631-02	Mutter	Nut	
30	2	9942-0816-16	Skruv	Screw	
1	1	9987-5016-16	Skruv	Screw	
15	4	9988-3619-16	Skruv	Screw	
9	2	9997-0855-12	Skruv	Screw	
6	1	P000-7861-14	Sprocket	Sprocket	
6	1	P000-7861-14	Sprocket	Sprocket	
5	1	P000-7920-72	Retaining ring	Retaining ring	
5	1	P000-7920-72	Retaining ring	Retaining ring	



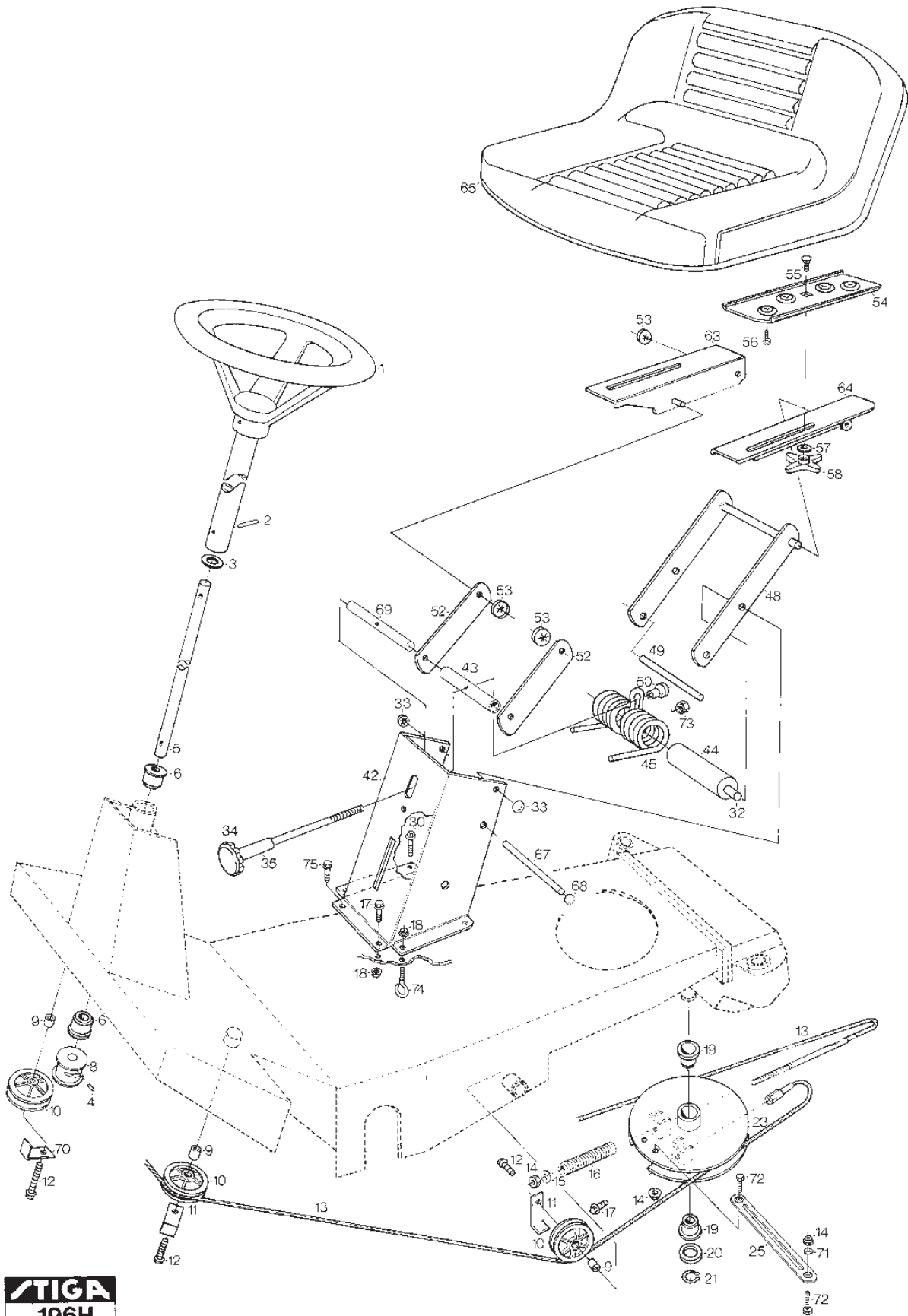
Utgåva Issue 37 - 2014		Transmission Motor		Transmission Engine	
Pos. Fig.	Antal Q.ty	Art nr Part No	Benämning	Description	Anmärkning Notes
25	1	1134-0139-01	Remskydd	Belt Guard	
23	1	1134-0240-00	Skruv	Screw	
3	1	1134-0269-00	Pedalgummi	Pedal Rubber	
42	1	1134-1364-02	Distansring	Spacer Ring	
60	1	1134-1594-01	Instrumentpanel(5-01 F12)	Panel	
20	1	1134-1631-02	Spännarm 5-01 15	Tension Arm	
32	1	1134-1633-01	Motorremskiva	Engine Belt Pulley	
32	1	1134-1633-01	Motorremskiva	Engine Belt Pulley	
44	1	1134-1795-01	Remhållare	Belt Stirrup	
26	1	1134-1849-01	Remskiva	Belt Pulley	
51	1	1134-1889-01	Skruvögla	Eye Bolt	
7	1	1134-1927-01	Lager 5-01	Bearing	
50	1	1134-1931-01	Kopplingsstång	Clutch Control Rod	
15	1	1134-1949-01	Fjäder	Spring	
65	1	1134-1975-01	Gasreglage	Throttle Cable	
4	1	1134-2123-02	Kopplingspedal Kpl	Clutch Pedal	
27	1	1134-9008-01	Kilrem	V-Belt	=9585-0050-00
35	1	1134-9027-01	Spännrulle (Svart)	Tension Roller (Black)	
66	1	9403-0035-10	Knopp	Knob	
54	1	9595-0160-00	Spiralspnst Prym N3X16	Locating Pin	
2	1	9600-0050-00	Kil	Key	
59	1	9600-0250-00	Kil	Key	
31	1	9650-0016-04	Spårring Sga 16	Circlip	
21	1	9696-0013-01	Bricka	Washer	
22	1	9699-0037-02	Bricka	Washer	
40	4	9699-0090-02	Bricka	Washer	
48	4	9739-0631-22	Mutter Strålkastare	Nut Working lamp	
1	4	9739-0831-22	Mutter	Nut	
37	1	9739-1031-22	Mutter	Nut	
52	1	9747-0631-02	Mutter Låsmutter	Nut	
53	2	9799-0831-02	Mutter	Nut	
64	2	9849-8009-16	Skruv	Screw	
49	2	9898-0635-12	Skruv	Screw	
63	2	9959-0612-16	Skruv	Screw	
43	1	9959-0825-16	Skruv	Screw	
39	1	9987-5338-12	Skruv	Screw	
24	4	9997-0840-16	Skruv	Screw	
47	1	9997-1030-16	Skruv	Screw	
32	1	9997-1450-16	Skruv	Screw	Tillbehör/Accessory
32A	1	9997-1450-16	Skruv	Screw	Tillbehör/accessory



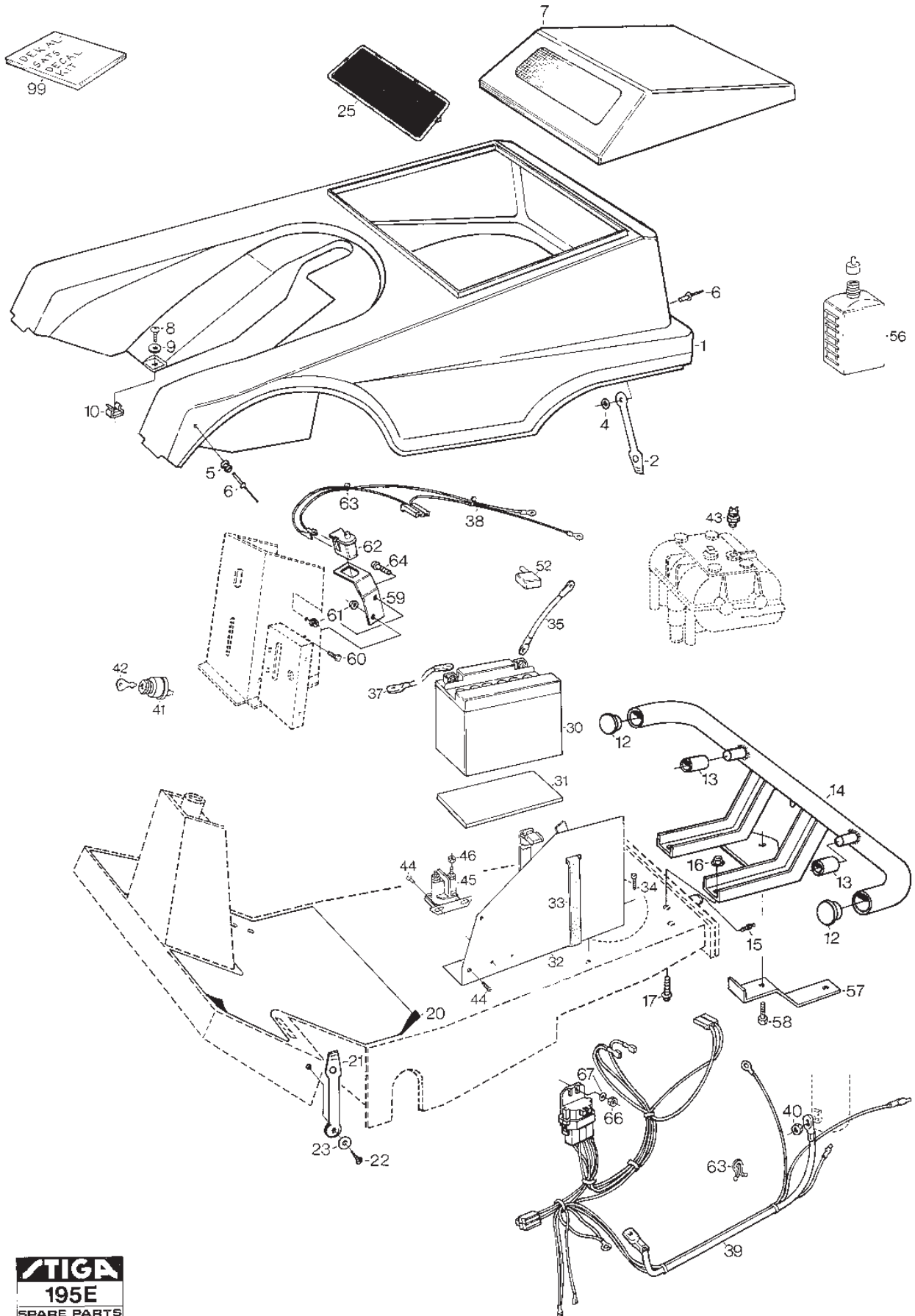
Utgåva Issue 37 - 2014		Hjulupphängning Bromssystem		Wheel Suspension Brake System	
Pos. Fig.	Antal Q.ty	Art nr Part No	Benämning	Description	Anmärkning Notes
41	1	1134-0269-00	Pedalgummi	Pedal Rubber	
30	4	1134-0341-01	Bricka	Washer	
35	1	1134-1023-00	Fjäder	Brake Spring	
17	2	1134-1348-01	Skruv	Screw	
23	1	1134-1428-01	Spindel-vä	Spindle Lh	
25	1	1134-1428-02	Spindel-hö	Spindle Rh	
24	1	1134-1583-01	Axel	Shaft For Steering Pulley	
21	1	1134-1634-01	Bakaxel	Rear axle	
14	2	1134-1875-01	Bussning	Bushing	
13	2	1134-1876-01	Bakaxelfäste 5-01 24	Rear Axle Mounting	
38	1	1134-1889-01	Skruvögla	Eye Bolt	
5	1	1134-1927-01	Lager 5-01	Bearing	
4	1	1134-1934-01	Distans	Spacer	
1	1	1134-1979-01	Pedal Kpl 5-01	Brake Pedal	
8	1	1134-1980-01	Bromsstång	Brake Rod	
42	1	1134-2138-01	Skruvögla	Eye Bolt	
27	2	1134-2669-01	Fälg kpl	Rim assy	
15	2	1134-3176-01	Fälg	Rim	
28	1	1134-9026-01	Bussning	Bearing	
7	2	4231-0013-00	Fjäder	Spring	
22	2	9501-0500-00	Smörjkopp Kort Rak	Grease Dispenser	
18	2	9545-0116-00	Däck	Tyre	16 x 7.50-8
18	2	9545-0116-00	Däck	Tyre	16 x 7.50-8
29	2	9545-0117-00	Däck	Tyre	13 x 5.00-6
18	2	9545-0120-00	Däck	Tyre	16 x 7.50-8
18	2	9545-0120-00	Däck	Tyre	16 x 7.50-8
18	1	9545-0203-00	Innerslang	Inner Tube	
18A	1	9545-0203-00	Innerslang	Inner Tube	Reservdel/spare part
29	1	9545-0204-00	Innerslang	Inner Tube	
29A	1	9545-0204-00	Innerslang	Inner Tube	Reservdel/spare part
16	4	9545-0500-00	Ventil	Valve Assy.	
37	1	9595-0160-00	Spiralspnst Prym N3X16	Locating Pin	
19	5	9650-0020-04	Spårring Sga 20	Circlip	
20	3	9699-0088-02	Bricka	Washer	
36	1	9699-0090-02	Bricka	Washer	
6	2	9739-0631-22	Mutter Strålkastare	Nut Working lamp	
12	5	9739-0831-22	Mutter	Nut	
31	2	9743-3721-32	Mutter	Nut	
39	1	9747-0631-02	Mutter Låsmutter	Nut	
34	1	9747-0831-02	Mutter Låsmutter	Nut	
2	2	9898-0635-12	Skruv	Screw	
11	4	9959-0820-16	Skruv	Screw	



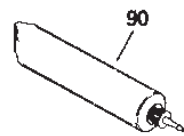
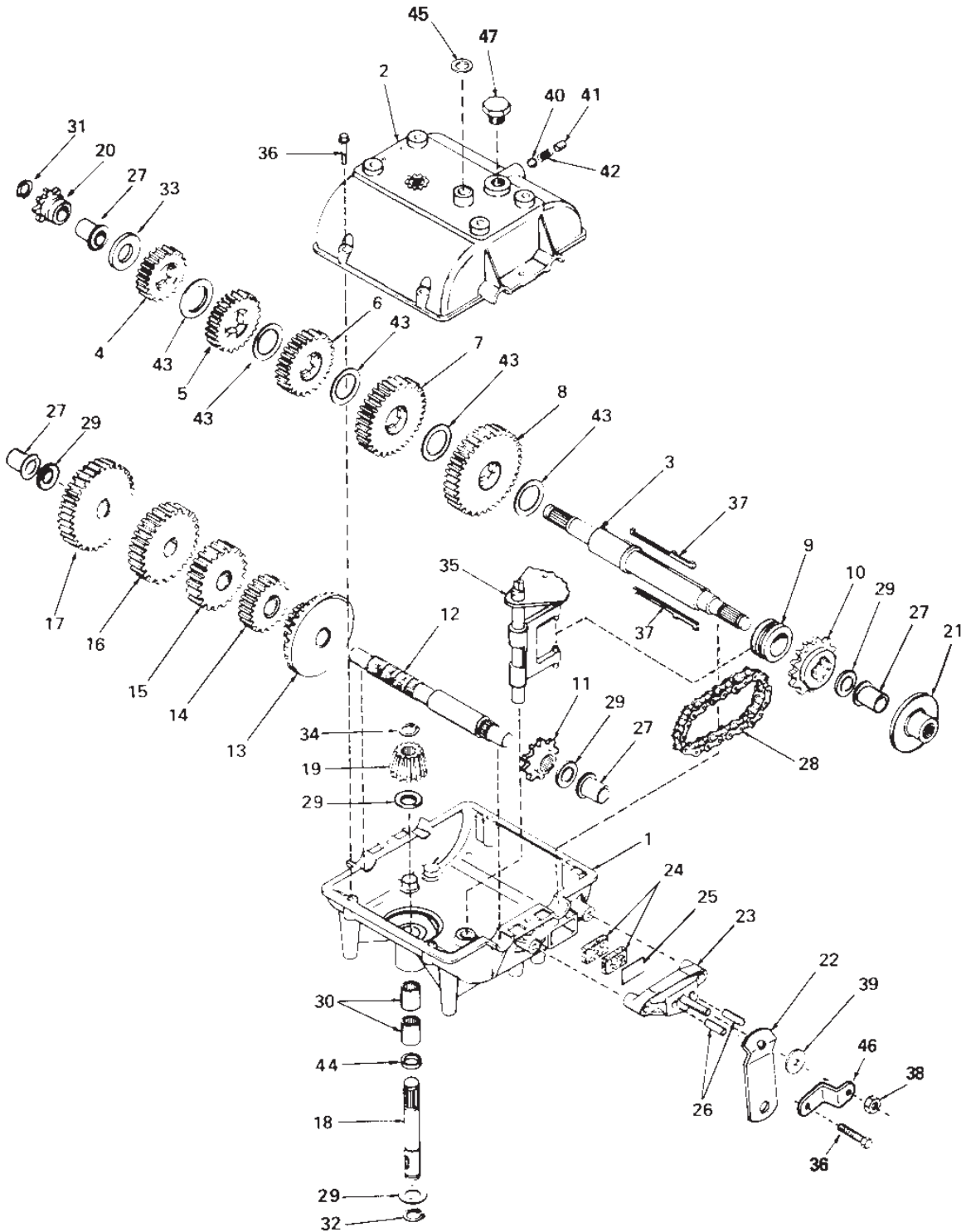
Utgåva Issue 37 - 2014		Styrning Sits		Steering Seat	
Pos. Fig.	Antal Q.ty	Art nr Part No	Benämning	Description	Anmärkning Notes
33	2	9672-0004-02	Starlock	Starlock	
68	2	9672-0006-02	Starlock	Lock washer	
45	1	1134-0015-00	Sitsfjäder	Seat spring	
32	1	1134-0022-00	Reglagestång	Control Rod	
9	4	1134-0041-01	Bussning	Bushing	
49	1	1134-0050-00	Sitsstång	Seat Rod	
20	1	1134-0341-01	Bricka	Washer	
50	1	1134-0493-00	Mutter	Nut	
65	1	1134-0800-06	Sits Sears Sa 1216 (9407-0003-01)	Seat Sears Sa 1216 (9407-0003-01) 20	2812,2841,2855,2858
16	1	1134-1310-01	Fjäder	Spring	
5	1	1134-1424-01	Rattstång	Steering Rod	
23	1	1134-1500-02	Linhjul	Steering Pulley	
52	2	1134-1650-01	Parallellstag5-01 F24	Tie Bar	
48	1	1134-1652-01	Fjäder	Spring	
58	2	1134-1711-01	Knopp	Knob	
44	1	1134-1883-01	Axel	Axle	
6	2	1134-1901-01	Lager	Bearing	
8	1	1134-1933-01	Linhjul	Steering Pulley	
74	1	1134-2138-01	Skruvögla	Eye Bolt	
34	1	1134-2163-01	Spännstång Kpl.	Rod	
35	1	1134-2166-01	Distans	Spacer	
1	1	1134-2390-01	Ratt	Steering wheel	
67	1	1134-2454-01	Axel	Shaft	
65	1	1134-2541-01	Sits Suburban Sa 10314	Seat	2842,2858-20,2858-70
43	1	1134-2846-01	Rör	Tube	
69	1	1134-2847-01	Mellanstag	Shaft	
54	2	1134-2961-01	Sitsadapter 5-01 24	Seat Adapter	
11	3	1134-3022-01	Fäste	Bracket	
70	1	1134-3022-01	Fäste	Bracket	
25	2	1134-3247-02	Parallellstag	Tie Rod	
42	1	1134-3252-02	Sitskonsol-gul	Seat Bracket-Yellow	
63	1	1134-3618-01	Sitsfäste Kpl. 5-01 14	Seat Attachment-R.H.	
64	1	1134-3618-02	Sitsfäste Kpl. 5-01 14	Seat Attachment-L.H.	
13	1	1134-9023-01	Styrwire	Steering Wire	
19	1	1134-9024-01	Lager (4 St)	Bearing	Sats 4 st/kit of 4
10	2	1134-9025-01	Linhjul	Steering Pulley	Sats 2 st/kit of 2
2	1	9595-0262-00	Spännstift	Locating Pin	
4	1	9595-0262-00	Spännstift	Locating Pin	
21	1	9650-0020-04	Spårring Sga 20	Circlip	
53	4	9675-0017-02	Låsbricka	Starlock	
71	2	9699-0028-02	Bricka	Washer	
57	2	9699-0062-02	Bricka	Washer	
15	1	9699-0090-02	Bricka	Washer	
3	1	9699-0103-02	Bricka	Washer	0.5 mm
3	1	9699-0103-02	Bricka	Washer	0,5 mm
3	1	9699-0114-02	Bricka	Washer	1.0 mm
3	1	9699-0114-02	Bricka	Washer	1,0 mm
18	4	9739-0831-22	Mutter	Nut	



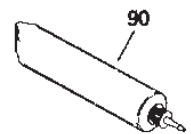
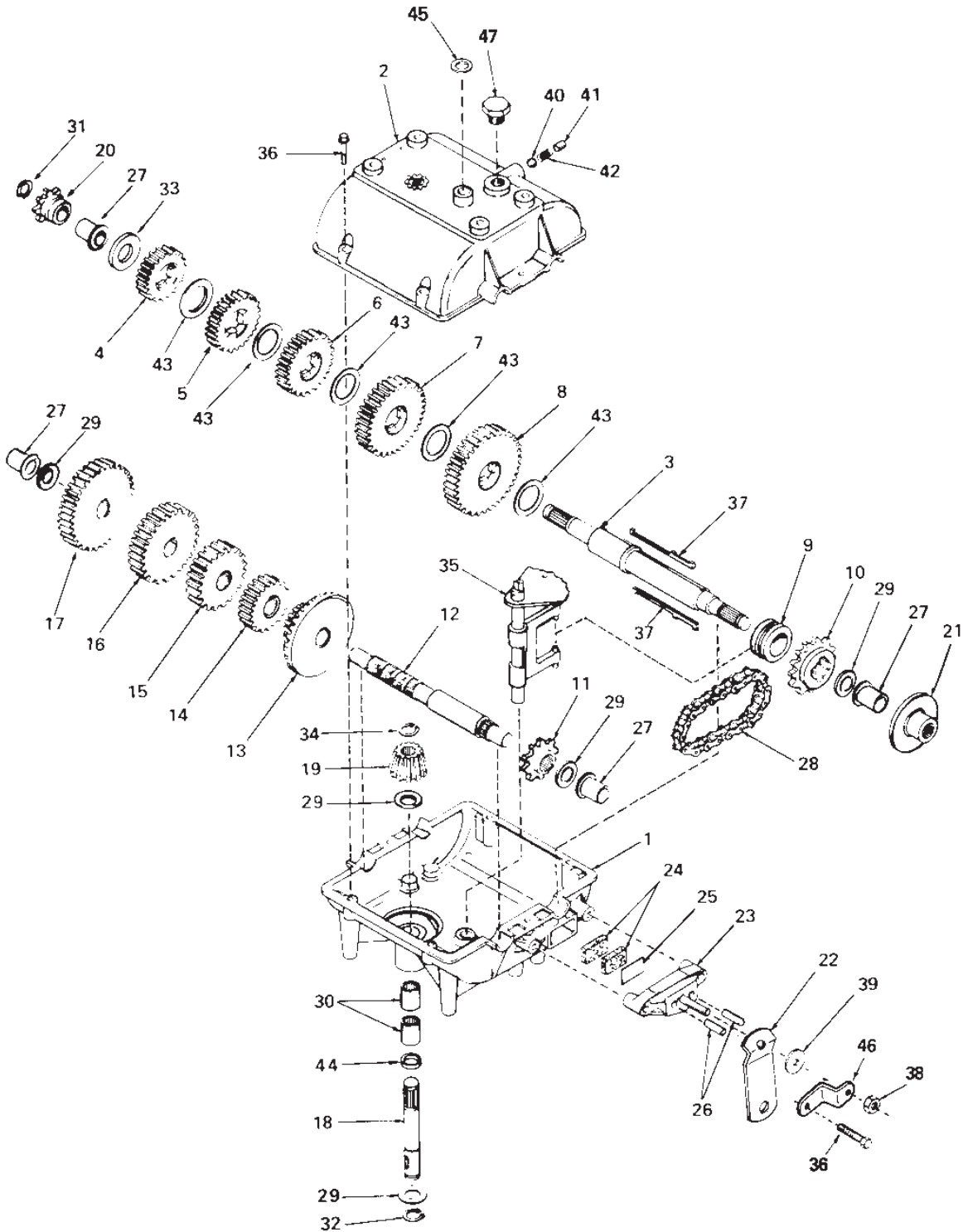
Utgåva Issue 37 - 2014		Styrning Sits Steering Seat			
Pos. Fig.	Antal Q.ty	Art nr Part No	Benämning	Description	Anmärkning Notes
14	5	9747-0831-02	Mutter Låsmutter	Nut	
73	2	9799-0831-02	Mutter	Nut	
55	2	9898-0820-16	Skruv	Screw	
12	4	9942-1030-16	Skruv	Screw	
75	1	9959-0816-16	Skruv	Screw	16 mm
17	3	9959-0816-16	Skruv	Screw	
30	1	9959-0825-16	Skruv	Screw	
56	4	9988-3616-16	Skruv	Screw	
72	4	9997-0825-16	Skruv	Screw	



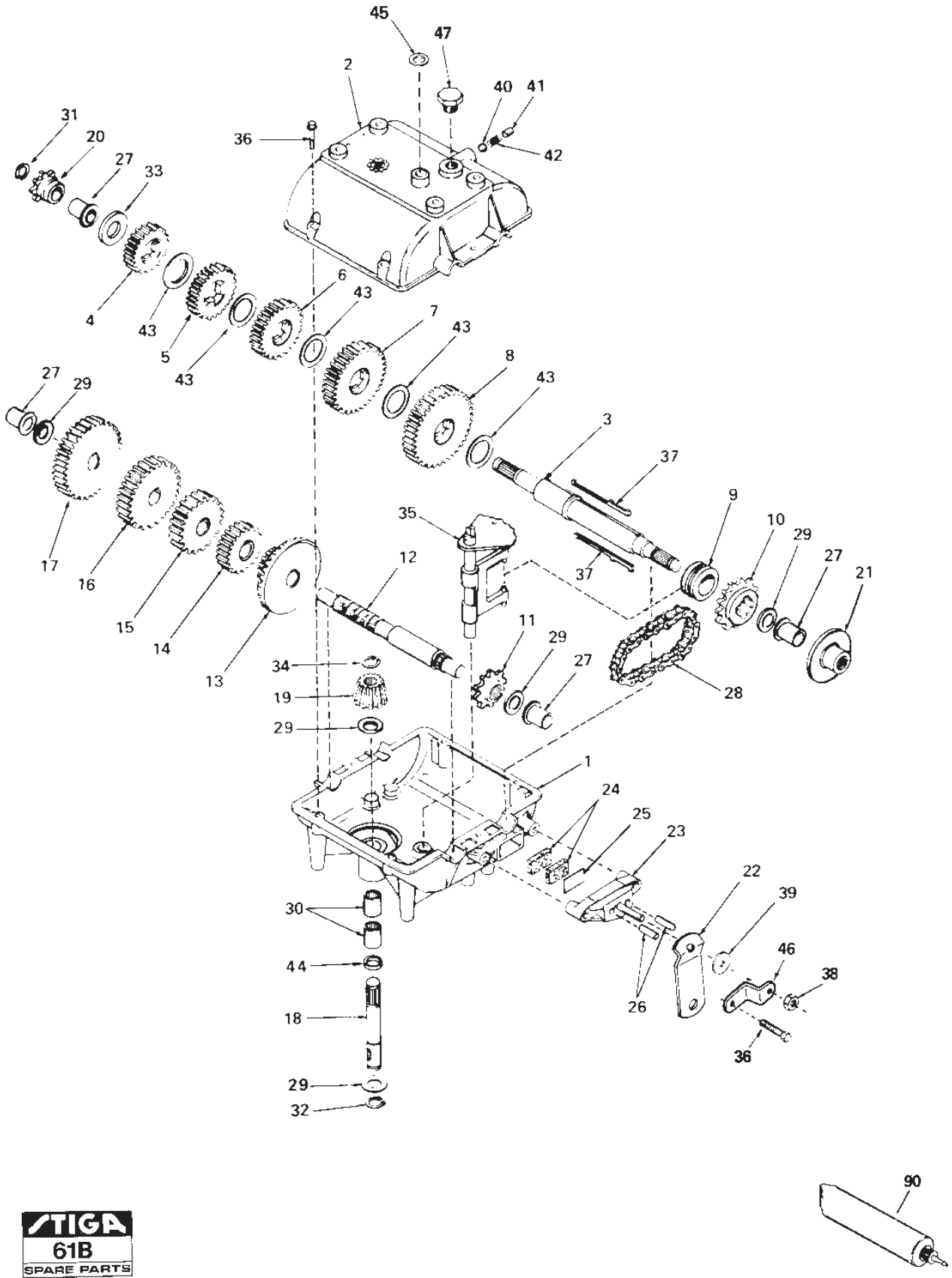
Utgåva Issue 37 - 2014		Chassi Elsystem		Chassie Electrical System	
Pos. Fig.	Antal Q.ty	Art nr Part No	Benämning	Description	Anmärkning Notes
35	1	1131-1455-00	Batterikabel (-)	Battery Cable (-)	
37	1	1134-0234-01	Batterikabel (+)	Battery Cable (+)	
14	1	1134-1595-02	Stötfångare Kpl	Tube	
13	2	1134-1643-01	Gummislang	Rubberhose	
41	1	1134-1814-01	Tändningslås Kpl Service	Starter Switch Assy.	
32	1	1134-1922-01	Batteriplatå	Battery Plate	
1	1	1134-1963-05	Motorhuv kpl	Engine casing assy	
25	1	1134-2267-01	Gallerinsats Villa	Guarding Net	
52	1	1134-2310-01	Batteriskydd	Guard Cap (+)	
31	1	1134-2333-01	Batteriunderlägg	Battery Pad	
42	1	1134-2848-01	Tändningsnyckel	Ignition Key	
41B	1	1134-2852-01	Mutter	Nut	
41A	1	1134-2853-01	Bricka	Washer	
7	1	1134-2855-01	Motoråpa-svart	Engine Cover (Black)	
45	1	1134-2962-01	Solenoid Kpl Service	Solenoid	
62	1	1134-3156-02	Brytare (grå)	Switch	
63	1	1134-3204-01	Twistögla	Cable Holder	
59	1	1134-3251-02	Fåste	Bracket	
20	1	1134-3536-01	Durkmatta Villa	Floor Mat	
99	1	1134-3557-01	Dekalsats	Label Kit	
39	1	1134-3621-01	Kabelhårva	Harness	2841,2855,2858
39A	1	1134-3623-02	Interlockkrets	Interlock Module	Ej ill/not ill.
10	1	1134-3643-01	Mutter	Nut	
21	1	1134-9028-01	Gummistropp (3 St)	Rubber Strap (3 Pcs)	Sats 3 st/kit of 3
56	1	1134-3300-01	Batterisyra	Battery Acid	2 X 0.85 liter
33	1	9400-0064-02	Batterihållare	Battery Holder	
30	1	9400-0086-00	Batteri	Battery	
43	1	9400-0105-01	Brytare	Switch	
12	2	9403-0015-70	Plugg	Plug	
5	2	9405-0029-00	Knopp	Knob	
15	1	9501-0500-00	Smörjkopp Kort Rak	Grease Dispenser	
6	3	9632-0516-00	Popnit Tap/D/Bs 416 Gf9.5	Pop Rivet	
4	1	9699-0054-02	Bricka	Washer	
67	1	9699-0060-02	Bricka	Washer	
9	1	9699-0060-02	Bricka	Washer	
23	2	9699-0087-02	Bricka	Washer	
61	2	9739-0631-22	Mutter Strålkastare	Nut Working lamp	
16	2	9739-0831-22	Mutter	Nut	
66	1	9747-0631-02	Mutter Låsmutter	Nut	
46	2	9794-5131-02	Mutter	Nut	
40	1	9795-3531-02	Mutter	Nut	
44	4	9849-8009-16	Skruv	Screw	
22	2	9849-8013-16	Skruv	Screw	
34	1	9942-0612-16	Skruv	Screw	
8	1	9948-0616-16	Skruv	Screw	
60	1	9959-0612-16	Skruv	Screw	
17	2	9959-0816-16	Skruv	Screw	
64	1	9997-0625-16	Skruv	Screw	



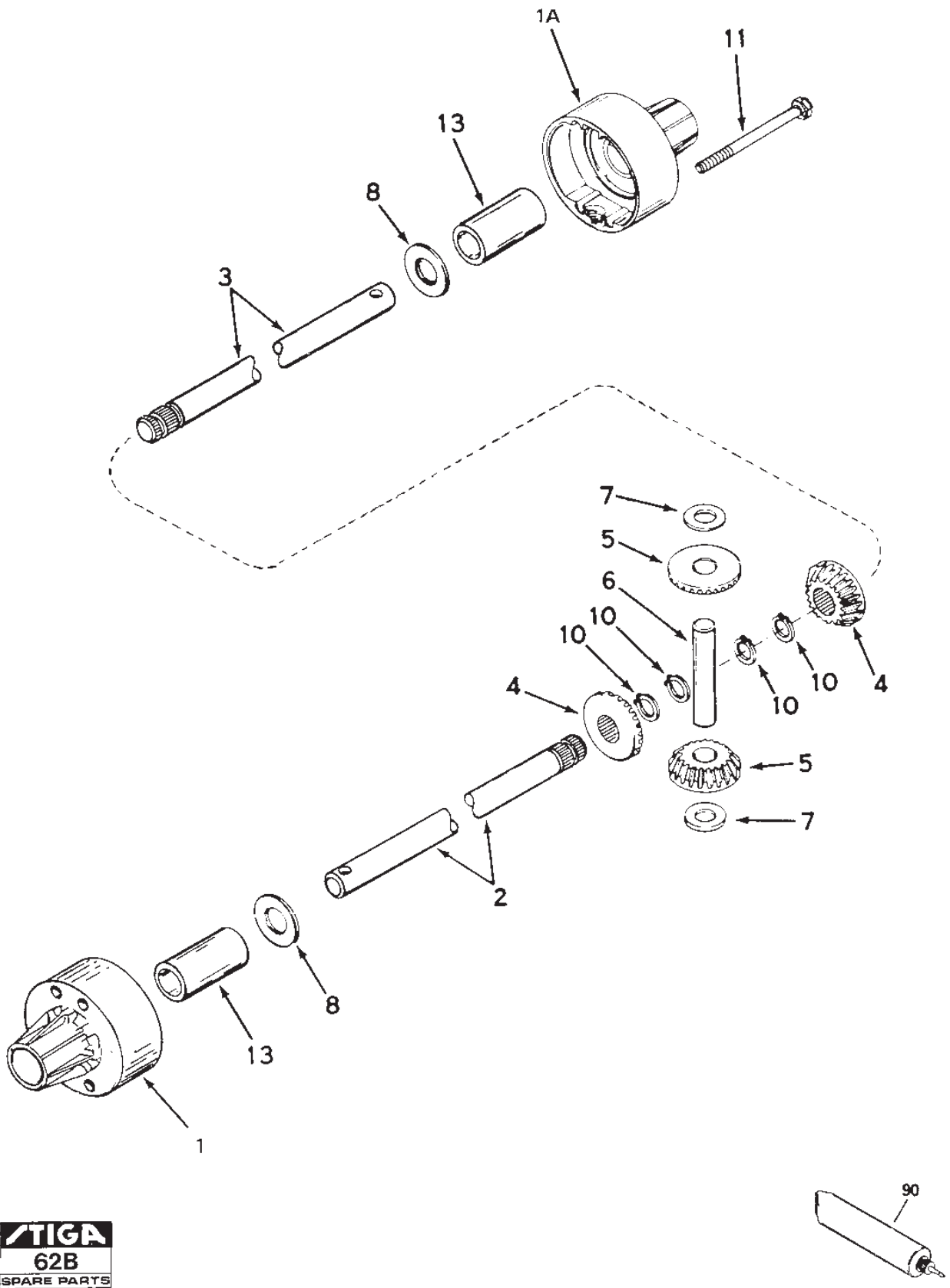
Utgåva Issue 37 - 2014		Tecumseh Peerless Växellåda 781A		Tecumseh Peerless Gear Box 781A	
Pos. Fig.	Antal Q.ty	Art nr Part No	Benämning	Description	Anmärkning Notes
1	1	770061	Case	Case	
1	1	770061	Case	Case	
2	1	772083	Cover	Cover	
2	1	772083	Cover	Cover	
12	1	776134	Axel	Shaft	
12	1	776134	Axel	Shaft	
18	1	776135	Ingående axel	Input shaft	
18	1	776135	Ingående axel	Input shaft	
3	1	776217	Axel	Shaft	
3	1	776217	Axel	Shaft	
13	1	778109	Gear	Gear	42T+15T
13	1	778109	Gear	Gear	42T+15T
19	1	778113	Drev	Pinion	
19	1	778113	Drev	Pinion	
4	1	778121	Gear	Gear	20T
4	1	778121	Gear	Gear	20T
5	1	778122	Drev	Gear	22T
5	1	778122	Drev	Gear	22T
6	1	778123	Gear	Gear	25T
6	1	778123	Gear	Gear	25T
7	1	778124	Gear	Gear	30T
7	1	778124	Gear	Gear	30T
8	1	778125	Drev	Gear	35T
8	1	778125	Drev	Gear	35T
14	1	778126	Gear	Gear	20T
14	1	778126	Gear	Gear	20T
15	1	778127	Gear	Gear	25T
15	1	778127	Gear	Gear	25T
16	1	778128	Drev	Gear	28T
16	1	778128	Drev	Gear	28T
17	1	778129	Drev	Gear	30T
17	1	778129	Drev	Gear	30T
29	5	780072	Bricka	Thrust Washer	
29	5	780072	Bricka	Thrust Washer	
30	2	780086	Nållager	Needle bearing	
30	2	780086	Nållager	Needle bearing	
27	4	780105	Bussning	Bushing	
27	4	780105	Bussning	Bushing	
43	5	780108	Bricka	Thrust Washer	
43	5	780108	Bricka	Thrust Washer	
33	1	780109	Bricka	Washer	
33	1	780109	Bricka	Washer	
9	1	784266	Collar	Collar	
9	1	784266	Collar	Collar	
35	1	784267	Shift rod	Shift rod	
35	1	784267	Shift rod	Shift rod	
26	2	786026	StyrSprint Styrpinne	Dowel pin	
26	2	786026	StyrSprint Styrpinne	Dowel pin	
28	1	786081	Kedja	Chain	24 länk/link



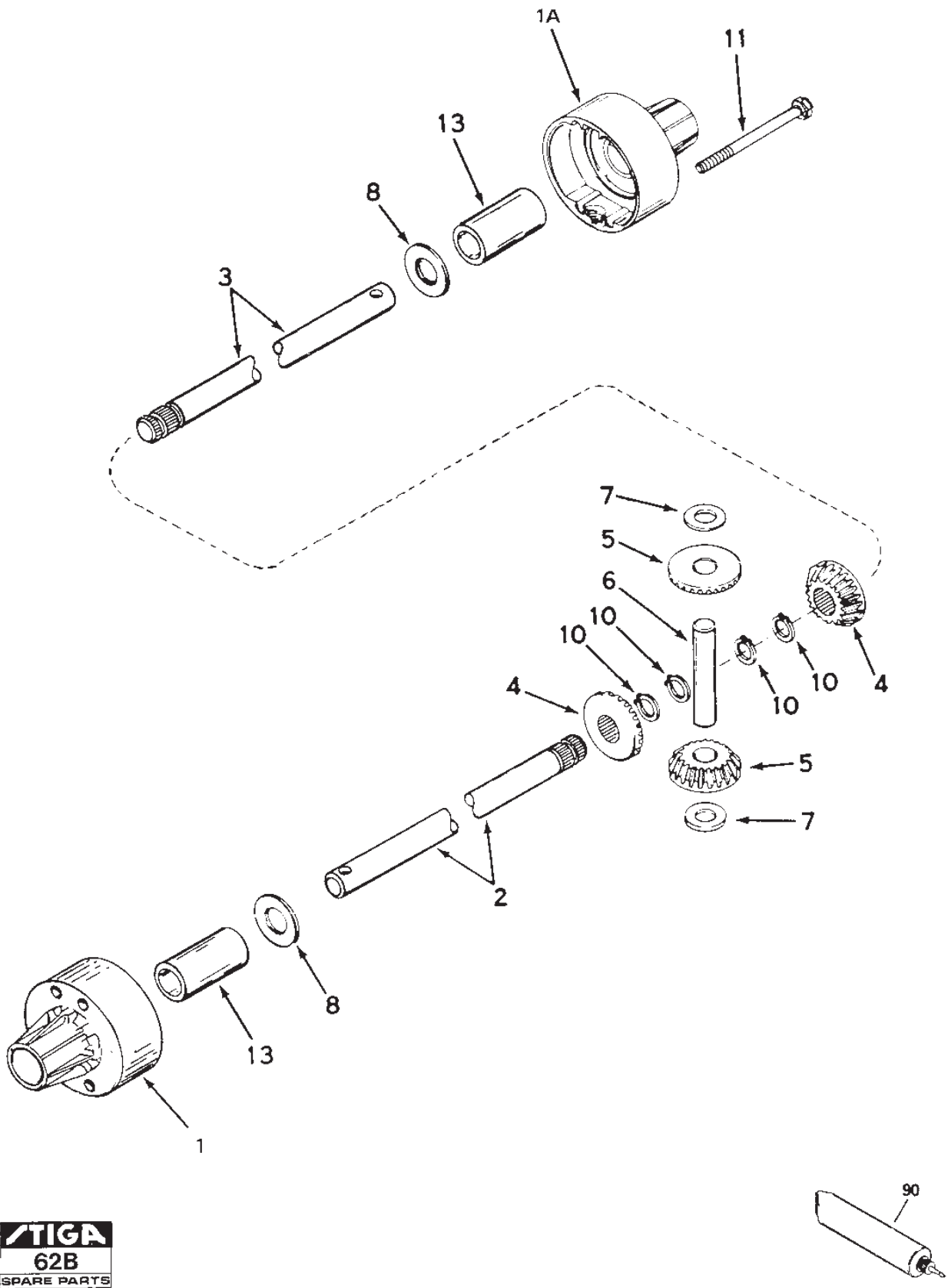
Utgåva Issue 37 - 2014		Tecumseh Peerless Växellåda 781A		Tecumseh Peerless Gear Box 781A	
Pos. Fig.	Antal Q.ty	Art nr Part No	Benämning	Description	Anmärkning Notes
28	1	786081	Kedja	Chain	24 Länk/Link
11	1	786082	Sprocket	Sprocket	9T
11	1	786082	Sprocket	Sprocket	9T
10	1	786083	Sprocket	Sprocket	18T
10	1	786083	Sprocket	Sprocket	18T
46	1	786086	Fäste	Brake lever bracket	
46	1	786086	Fäste	Brake lever bracket	
20	1	786114	Sprocket	Sprocket	
20	1	786114	Sprocket	Sprocket	
34	1	788040	Låsring	Retainer ring	
34	1	788040	Låsring	Retainer ring	
90	1	788067	Smörjfett	Grease	0.9 kg Bentonite
90	1	788067	Smörjfett	Grease	0.9 kg Bentonite
21	1	790003	Bromsskiva	Brake Disc	
21	1	790003	Bromsskiva	Brake Disc	
24	2	790006	Brake pad	Brake pad	
24	2	790006	Brake pad	Brake pad	
25	1	790007	Tryckplatta	Brake pad plate	
25	1	790007	Tryckplatta	Brake pad plate	
23	1	790025	Hållare	Brake pad holder	
23	1	790025	Hållare	Brake pad holder	
22	1	790033	Bromsarm	Brake Lever	
22	1	790033	Bromsarm	Brake Lever	
44	1	792001	O-ring	O-ring	
44	1	792001	O-ring	O-ring	
32	1	792035	Låsring	Retainer ring	
32	1	792035	Låsring	Retainer ring	
31	1	792072	Circlip	Circlip	
31	1	792072	Circlip	Circlip	
36	8	792073	Skruv	Screw	
36	8	792073	Skruv	Screw	
47	1	792074	Threaded Plug	Threaded Plug	
47	1	792074	Threaded Plug	Threaded Plug	
38	1	792075	Låsmutter	Nut	
38	1	792075	Låsmutter	Nut	
39	1	792076	Planbricka Bricka	Flat washer Washer	
39	1	792076	Planbricka Bricka	Flat washer Washer	
40	1	792077	Kula	Steel ball	
40	1	792077	Kula	Steel ball	
41	1	792078	Skruv	Screw	
41	1	792078	Skruv	Screw	
42	1	792079	Fjäder	Spring	
42	1	792079	Fjäder	Spring	
45	1	792083	Bricka	Washer	
45	1	792083	Bricka	Washer	
37	2	792089	Kil	Key	
37	2	792089	Kil	Key	
0	1	9500-9949-00	Växellåda 781B	Gear Box 781B	19
	1	9500-9949-00	Växellåda 781B	Gear Box 781B	19 Villa



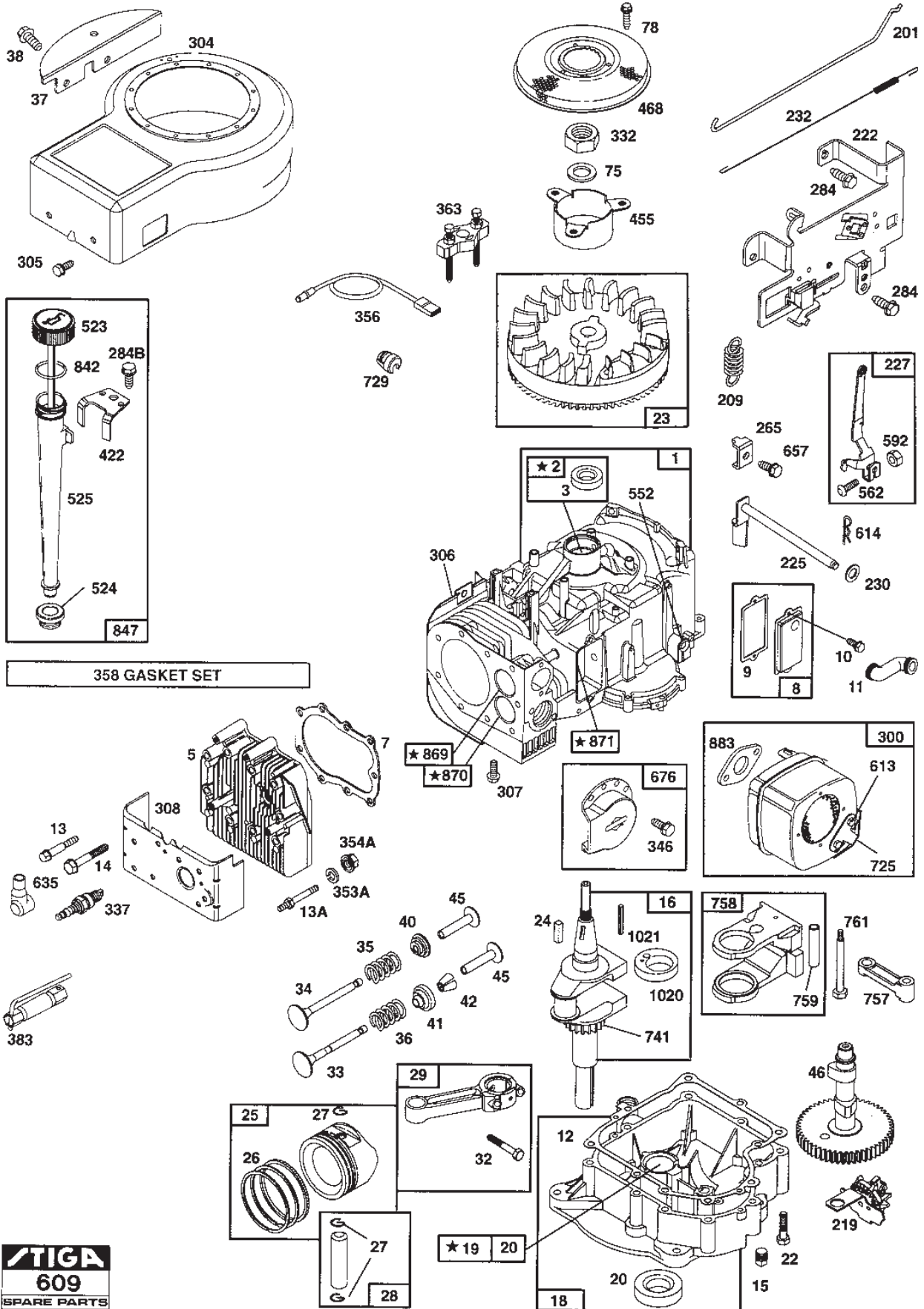
Utgåva Issue 37 - 2014		Tecumseh Peerless Växellåda 781A		Tecumseh Peerless Gear Box 781A	
Pos. Fig.	Antal Q.ty	Art nr Part No	Benämning	Description	Anmärkning Notes
12	1	P000-7761-34	Axel	Shaft	
18	1	P000-7761-35	Axel	Shaft	
3	1	P000-7762-17	Axel	Shaft	
13	1	P000-7781-09	Gear	Gear	42T+15T
8	1	P000-7781-25	Gear	Gear	35T
29	5	P000-7800-72	Bricka	Washer	
30	2	P000-7800-86	Nållager	Needle Bearing	
43	5	P000-7801-08	Bricka	Washer	
33	1	P000-7801-09	Bricka	Washer	
9	1	P000-7842-66	Hylsa	Collar	
35	1	P000-7842-67	Shift rod	Shift rod	
26	2	P000-7860-26	TryckSprint	Dowel pin	
28	1	P000-7860-81	Kedja	Chain	24 länk/link
11	1	P000-7860-82	Kedjehjul	Sprocket	9T
10	1	P000-7860-83	Kedjehjul	Sprocket	18T
46	1	P000-7860-86	Fäste	Bracket	
20	1	P000-7861-14	Sprocket	Sprocket	
34	1	P000-7880-40	Låsring	Retaining ring	
21	1	P000-7900-03	Bromsskiva	Brake Disc	
24	2	P000-7900-06	Bromsbelägg	Brake pad	
25	1	P000-7900-07	Tryck platta	Brake plate	
23	1	P000-7900-25	Hållare	Holder	
22	1	P000-7900-33	Bromsarm	Brake Lever	
44	1	P000-7920-01	O-ring	O-ring	
32	1	P000-7920-35	Låsring	Retaining ring	
31	1	P000-7920-72	Retaining ring	Retaining ring	
36	8	P000-7920-73	Skruv	Screw	
47	1	P000-7920-74	Plug	Plug	
38	1	P000-7920-75	Mutter	Nut	
39	1	P000-7920-76	Bricka	Washer	
40	1	P000-7920-77	Kula	Ball	
41	1	P000-7920-78	Skruv	Screw	
42	1	P000-7920-79	Fjäder	Spring	
45	1	P000-7920-83	Bricka	Washer	
1	1	P007-7006-1A	Case	Case	
2	1	P007-7208-3A	Cover	Cover	
19	1	P007-7811-3A	Drev	Bevel pinion	
4	1	P007-7812-1A	Drev	Gear	20T
5	1	P007-7812-2A	Drev	Gear	22T
6	1	P007-7812-3A	Drev	Gear	25T
7	1	P007-7812-4A	Drev	Gear	30T
14	1	P007-7812-6A	Drev	Gear	20T
15	1	P007-7812-7A	Drev	Gear	25T
16	1	P007-7812-8A	Drev	Gear	28T
17	1	P007-7812-9A	Drev	Gear	30T
27	4	P007-8010-5A	Bussning	Bushing	
90	1	P007-8806-7B	Grease	Grease	0.9 kg Bentonite
37	2	P007-9208-9A	Kil	Key	



Utgåva Issue 37 - 2014		Tecumseh Peerless Differential 100-019B		Tecumseh Peerless Differential 100-019B	
Pos. Fig.	Antal Q.ty	Art nr Part No	Benämning	Description	Anmärkning Notes
1	1	774344	Hus	Housing	
1	1	774344	Hus	Housing	Inkl. pos. 13
1	1	774344	Hus	Housing	
1A	1	774345	Hus	Housing	
1A	1	774345	Hus	Housing	Inkl. pos. 13
1A	1	774345	Hus	Housing	
1	1	774659	Hus	Housing	Inkl. pos. 13
1A	1	774660	Hus	Housing	Inkl. pos. 13
2	1	774740	Axel	Axle	224 mm
2	1	774740	Axel	Axle	8-13/16" (224 mm)
2	1	774740	Axel	Axle	224 mm
3	1	774741	Axel	Axle	420 mm
3	1	774741	Axel	Axle	16-17/32" (420 mm)
3	1	774741	Axel	Axle	420 mm
2	1	775118	Axel	Axle	11-27/32" (301 mm)
3	1	775119	Axel	Axle	19-19/32" (498 mm)
5	2	778068	Bevel pinion gear	Bevel pinion gear	
5	2	778068	Bevel pinion gear	Bevel pinion gear	
5	2	778068	Bevel pinion gear	Bevel pinion gear	
4	2	778221	Bevel gear	Bevel gear	
4	2	778221	Bevel gear	Bevel gear	
4	2	778221	Bevel gear	Bevel gear	
4	2	778368	Drev	Bevel gear	
4	2	778368	Drev	Bevel gear	
4	2	778368	Drev	Bevel gear	
5	2	778368	Drev	Bevel gear	
5	2	778368	Drev	Bevel gear	
5	2	778368	Drev	Bevel gear	
8	2	780001	Bricka	Washer	
8	2	780001	Bricka	Washer	
13	2	780077	Bussning	Bushing	
13	2	780077	Bussning	Bushing	
7	2	780096	Bricka	Washer	
7	2	780096	Bricka	Washer	
6	1	786040	Stift	Drive pin	
6	1	786040	Stift	Drive pin	
90	1	788067	Smörjfett	Grease	0.9 kg Bentonite
90	1	788067	Smörjfett	Grease	Bentonite
11	4	792041	Skruv	Screw	
11	4	792041	Skruv	Screw	
10	4	792125	Låsring	Retainer ring	
10	4	792125	Låsring	Retainer ring	
0	1	1134-1694-04	Differentiell	Differential	Villa
0	1	1134-1694-04	Differentiell	Differential	Villa
0	1	1134-5014-01	Differentiell	Differential	
1	1	P000-7743-44	Housing	Housing	
1A	1	P000-7743-45	Housing	Housing	
2	1	P000-7747-40	Axel	Axle	224 mm
3	1	P000-7747-41	Axel	Axle	420 mm

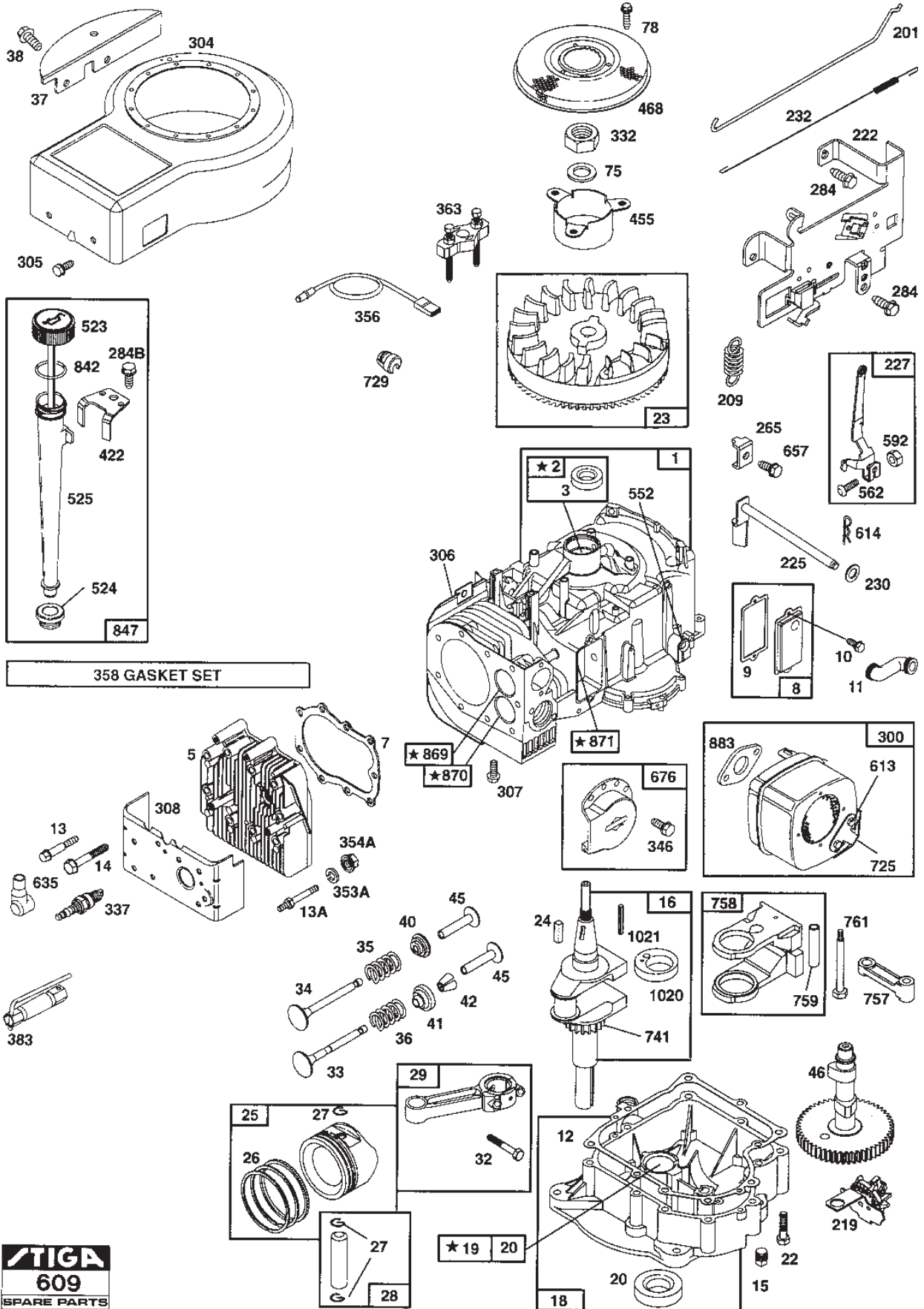


Utgåva Issue 37 - 2014		Tecumseh Peerless Differential 100-019B		Tecumseh Peerless Differential 100-019B	
Pos. Fig.	Antal Q.ty	Art nr Part No	Benämning	Description	Anmärkning Notes
5	2	P000-7780-68	Drev	Gear	
4	2	P000-7782-21	Drev	Bevel gear	
8	2	P000-7800-01	Bricka	Washer	
13	2	P000-7800-77	Bussning	Bushing	
7	2	P000-7800-96	Bricka	Washer	
6	1	P000-7860-40	Stift	Drive pin	
11	4	P000-7920-41	Skruv	Screw	
10	4	P000-7921-25	Låsring	Snap ring	
90	1	P007-8806-7B	Grease	Grease	0.9 kg Bentonite



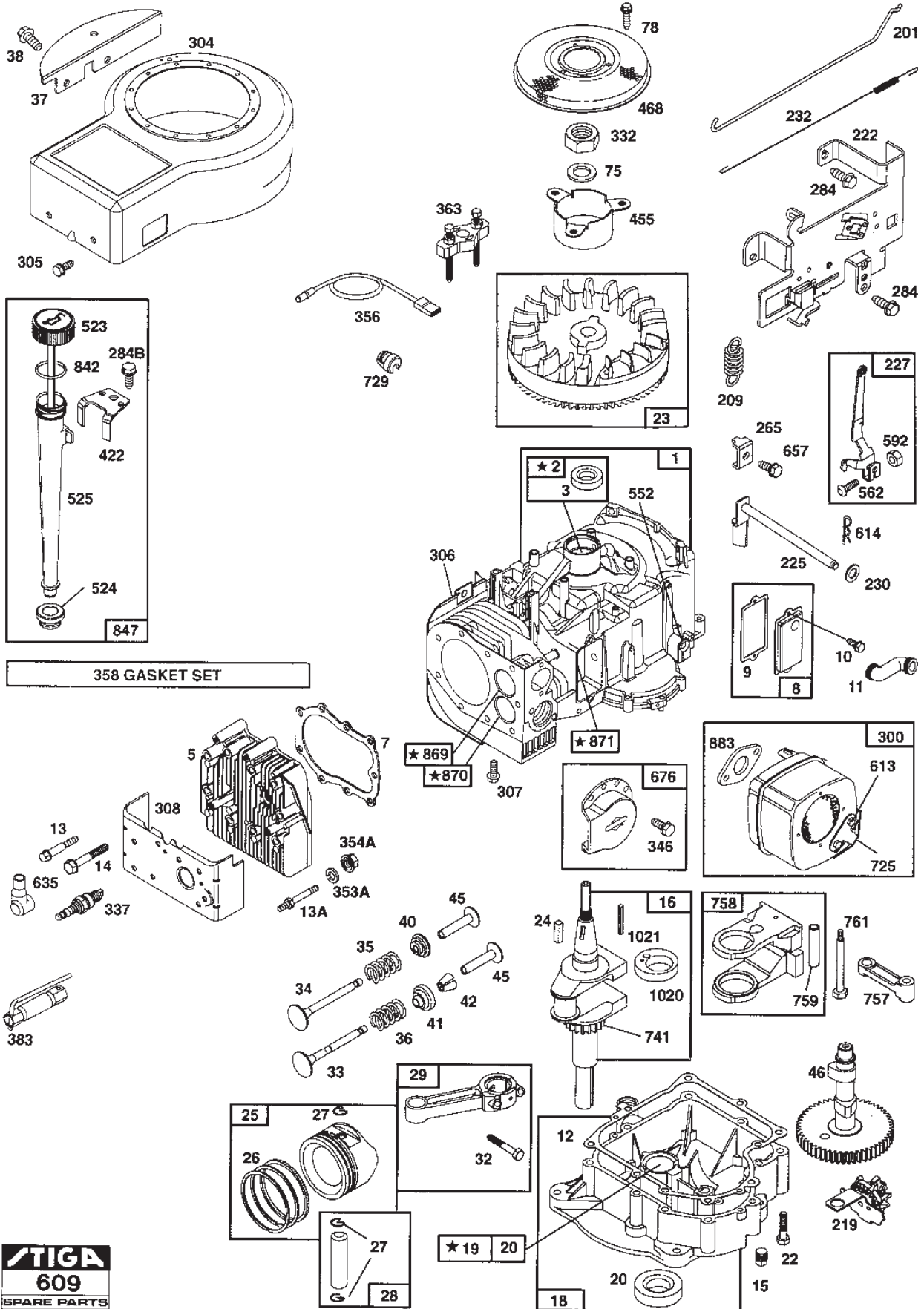
STIGA
609
SPARE PARTS

Utgåva Issue 37 - 2014		Cylinder Vevhus	Carburettor Fuel Tank		
Pos. Fig.	Antal Q.ty	Art nr Part No	Benämning	Description	Anmärkning Notes
363	1	19165	Flywheel puller	Flywheel puller	Tillbehör/Accessory
36	1	26828	Ventilfjäder-utblås	Valve spring-exhaust	
9	1	27803	Packning	Gasket	
35	1	65906	Ventilfjäder-insug	Valve spring-intake	
635	1	66538	Tändstiftsskydd	Spark plug elbow	
27	2	68546	Låsring	Lock	
169	2	90832	Bricka	Washer	
185	2	90970	Mutter	Nut	
332	1	92284	Mutter	Nut	
562	1	92613	Skruv	Screw	
601	2	93053	Slangklämma	Hose clamp	
614	1	93306	Låsnål	Cotter Pin Cotter pin	
334	2	93381	Skruv	Screw	
657	1	93496	Skruv	Screw	
22	6	93585	Skruv	Screw	
482	2	93621	Skruv	Screw	
42	2	93630	Hållare	Retainer	
188	2	93634	Skruv	Screw	
346	2	93705	Skruv	Screw	
14	1	93723	Skruv	Screw	
13A	2	93776	Stud	Stud	
310	2	94003	Skruv	Screw	
965	2	94010	Mutter	Nut	
613	2	94042	Skruv	Screw	
95	2	94098	Skruv	Screw	
15	1	94239	Oil drain plug	Oil drain plug	
184	2	94286	Skruv	Screw	
354A	1	94314	Mutter	Nut	
353A	1	94315	Bricka	Washer	
13	6	94565	Skruv	Screw	
761	2	94592	Skruv	Screw	
284B	1	94602	Skruv	Screw	
284B	2	94602	Skruv	Screw	
123	2	94616	Skruv	Screw	
284	1	94620	Skruv	Screw	
284	2	94620	Skruv	Screw	
10	1	94621	Skruv	Screw	
10	2	94621	Skruv	Screw	
307	1	94623	Skruv	Screw	
78	3	94626	Skruv	Screw	
653	2	94627	Skruv	Screw	
53	2	94637	Skruv	Screw	
955	1	94642	Skruv	Screw	
32	2	94670	Skruv	Screw	
284A	1	94704	Skruv	Screw	
836	1	94729	Skruv	Screw	
230	1	94742	Bricka	Washer	
224	1	94786	Skruv	Screw	
305	4	94786	Skruv	Screw	



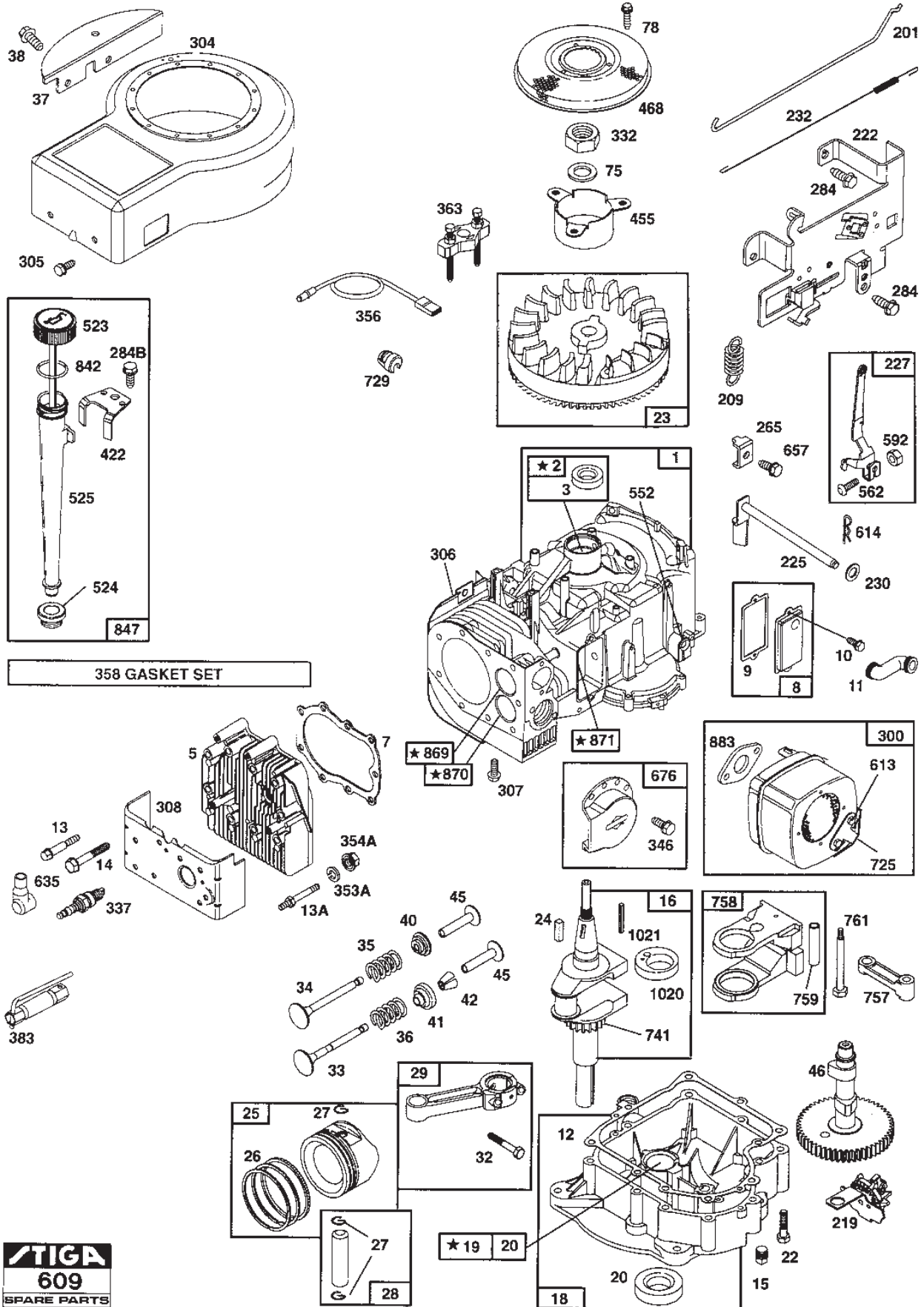
STIGA
609
SPARE PARTS

Utgåva Issue 37 - 2014		Cylinder Vevhus		Carburettor Fuel Tank	
Pos. Fig.	Antal Q.ty	Art nr Part No	Benämning	Description	Anmärkning Notes
38	2	94811	Skruv	Screw	
1021	1	94853	Stift	Pin	
869	1	211661	Valve seat-intake	Valve seat-intake	
46	1	211689	Kamaxel	Camshaft	
870	1	213316	Valve seat	Valve seat	
164	1	213819	Carburettor elbow	Carburettor elbow	
757	1	213998	Länk	Link	
5	1	214015	Topplöck	Cylinder Head	
527	2	221428	Clamp	Clamp	
265	1	221535	Klämma	Clamp	
40	1	221596	Hållare	Retainer	
725A	1	222175	Värmeskydd	Heat shield	
37	1	222475	Guard	Guard	
455	1	222561	Kopp	Cup	
24	1	222698	Kil	Key	
725	1	223540	Värmeskydd	Heat shield	
75	1	224061	Bricka	Washer	
468	1	224517	Nät	Screen	
108	1	224558	Choke valve	Choke valve	
646	1	224614	Brace	Brace	
130	1	224668	Gasspjäll	Throttle Valve	
422	1	224872	Clamp	Clamp	
182A	1	224884	Bracket L.H.	Bracket L.H.	
308	1	224896	Cover	Cover	
182	1	225074	Bracket R.H.	Bracket R.H.	
670	2	225137	Bricka	Washer	
592	1	231082	Mutter	Nut	
871	1	231218	Ventilstyrning-insug	Valve guide-intake	
871	1	231218	Ventilstyrning-insug	Valve guide-intake	
871	1	231218	Ventilstyrning-insug	Valve guide-intake	
871	1	231218	Ventilstyrning-insug	Valve guide-intake	
871	1	231218	Ventilstyrning-insug	Valve guide-intake	
871	1	231218	Ventilstyrning-insug	Valve guide-intake	
104	1	231789	Axel	Shaft	
106	1	231854	Valve seat	Valve seat	
105	1	231855	Nålventil	Inlet needle valve	
209	1	260871	Fjäder	Spring	
45	2	260933	Valve tappet	Valve tappet	
34	1	261055	Insugningsventil	Intake valve	
1020	1	261190	Excenter	Eccentric	
871	1	261961	Ventilstyrning-utblås	Valve guide-exhaust	
871	1	261961	Ventilstyrning-utblås	Valve guide-exhaust	
871	1	261961	Ventilstyrning-utblås	Valve guide-exhaust	
871	1	261961	Ventilstyrning-utblås	Valve guide-exhaust	
871	1	261961	Ventilstyrning-utblås	Valve guide-exhaust	
871	1	261961	Ventilstyrning-utblås	Valve guide-exhaust	
111	1	262715	Fjäder	Spring	
216	1	262768	Choke link	Choke link	
201	1	262769	Governor link	Governor link	



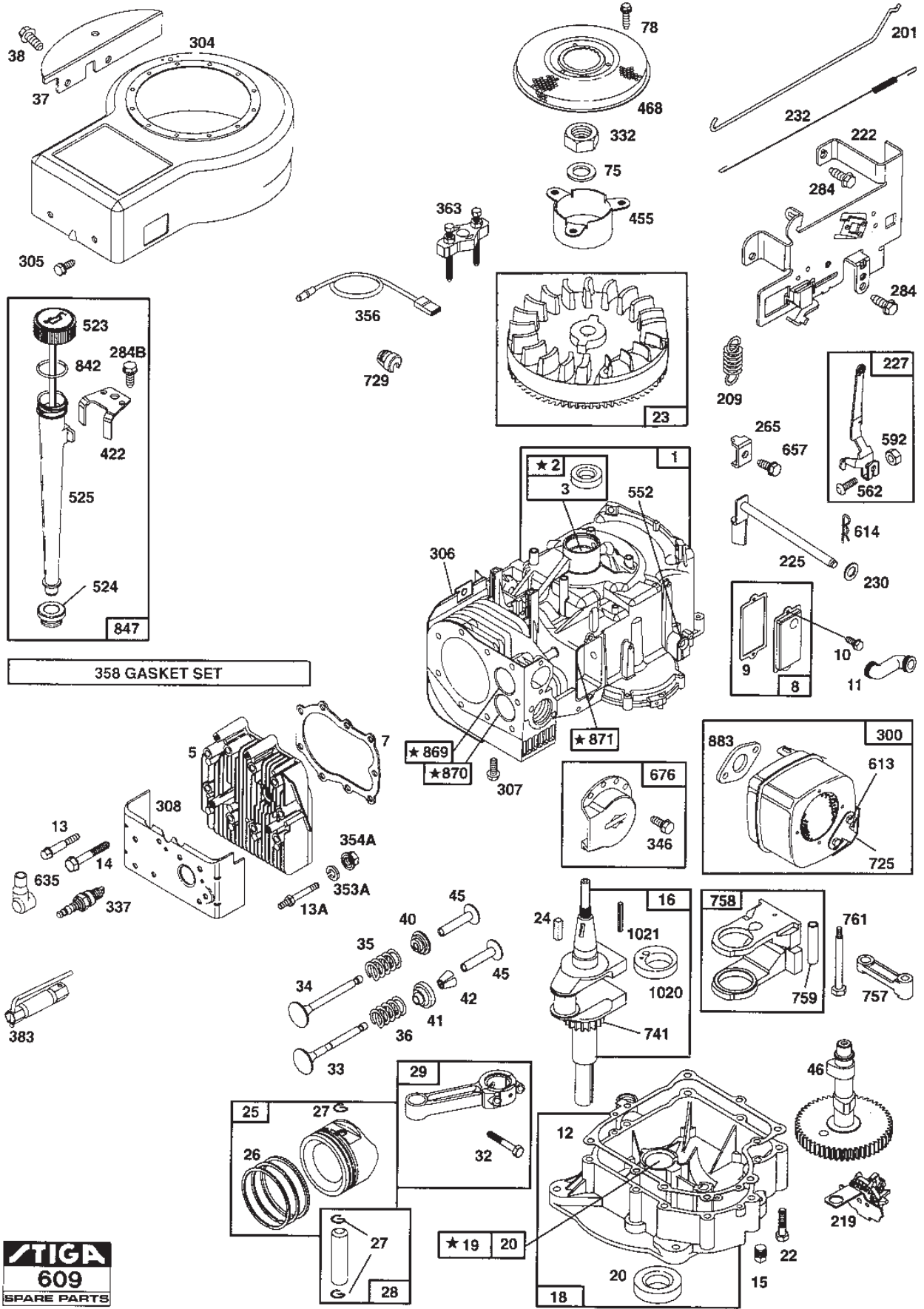
STIGA
609
SPARE PARTS

Utgåva Issue 37 - 2014		Cylinder Vevhus		Carburettor Fuel Tank	
Pos. Fig.	Antal Q.ty	Art nr Part No	Benämning	Description	Anmärkning Notes
232	1	262787	Fjäder	Spring	
741	1	263025	Gear	Gear	
615	1	263080	Retainer	Retainer	
842	1	270920	Tätning	Seal	
12	1	271701	Packning	Gasket	
7	1	272163	Packning	Gasket	
883	1	272309	Packning	Gasket	
51	1	272465	Packning	Gasket	
535	1	272477	Luftfilterelement	Filter Element	
52	1	272554	Packning	Gasket	
11	1	280005	Rör	Tube	
783	1	280104	Drev	Gear	
525	1	280133	Rör	Tube	
171	1	281051	Mutter	Nut	
872	1	281105	Cover	Cover	
537	1	281106	O-ring	O-ring	
138	1	281164	Bricka	Washer	
137	1	281165	Packning	Gasket	
987	1	281166	Seal	Seal	
634A	1	281167	Bricka	Washer	
93	1	281346	Bussning	Bushing	
524	1	281370	Seal	Seal	
729	1	281395	Clip	Clip	
41	1	292260	Rotator	Rotocoil	
28	1	295840	Kolvsprint	Piston Pin	
19	1	295963	Bussning	Bushing	
187	1	296004	Fuel pipe	Fuel pipe	
759	1	298909	Kolvsprint	Piston Pin	
358	1	299577	Packningssats	Gasket set	
758	1	390172	Balanseringsvikt	Counterweight	
180	1	390225	Fuel tank	Fuel tank	
29	1	390402	Connecting Rod	Connecting Rod	
183A	1	390405	Strap L.H.	Strap L.H.	
183	1	390406	Strap	Strap	
33	1	390420	Exhaust valve	Exhaust valve	
3	1	391086	Tätning	Seal	
20	1	391086	Tätning	Seal	
8	1	391406	Vevhusventilation	Breather	
887	1	391529	Stator	Stator	
23	1	391983	Flywheel	Flywheel	
847	1	392066	Oljesticka kpl	Oil filler group	
726	1	392134	Kuggkrans	Gear ring	
18	1	392548	Vevhus	Oil sump	
878	1	393422	Kabelhärva	Harness	
676	1	393757	Deflektor	Deflector	
877	1	393814	Connector	Connector	
25	1	393868	Kolv	Piston	
26	1	393881	Ring set	Ring set	
801	1	394856	Lock	Drive end cap	

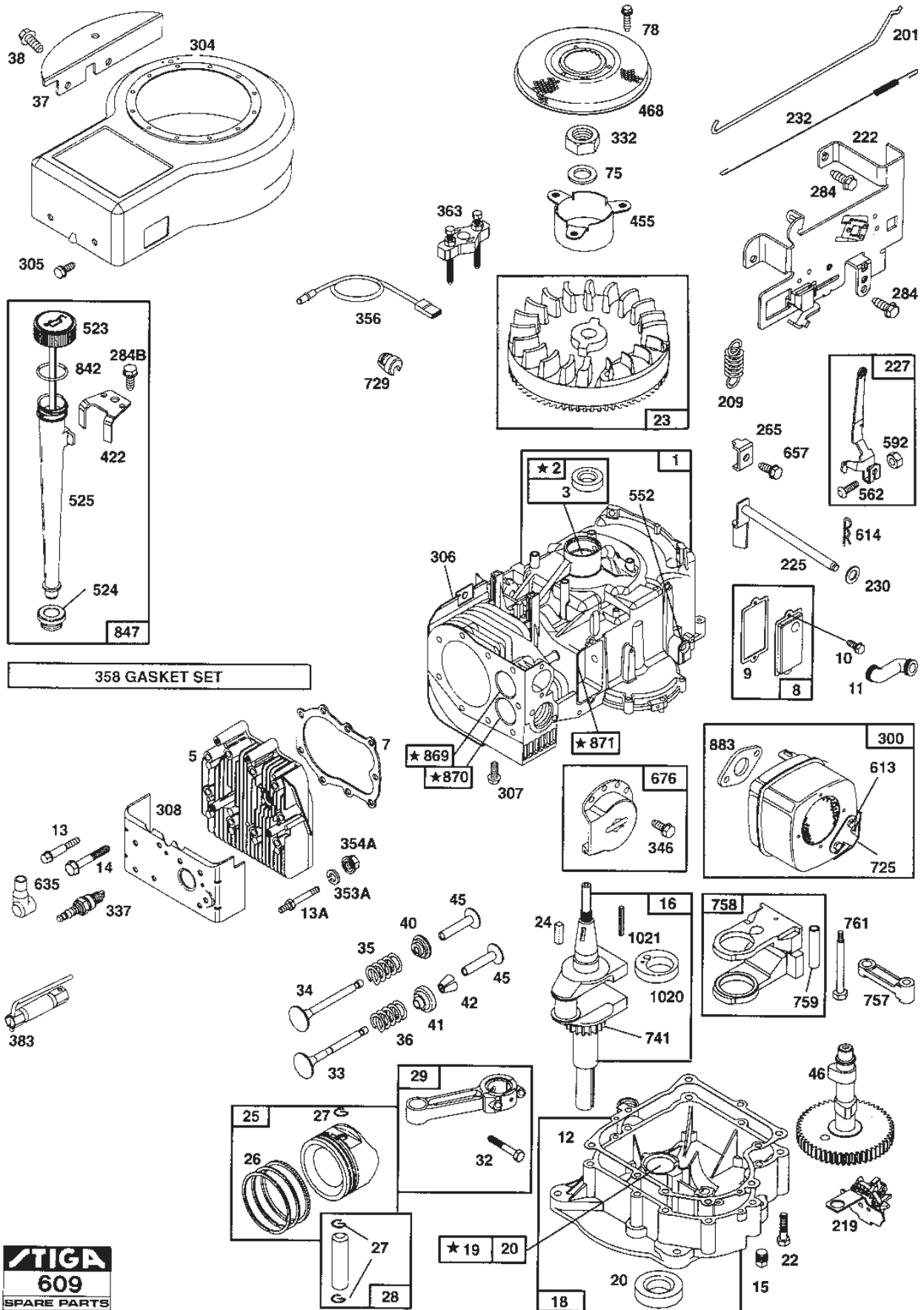


STIGA
609
SPARE PARTS

Utgåva Issue 37 - 2014		Cylinder Vevhus		Carburettor Fuel Tank	
Pos. Fig.	Antal Q.ty	Art nr Part No	Benämning	Description	Anmärkning Notes
300	1	398507	Ljuddämpare	Muffler	
333	1	398811	Tändsystem kpl	Armature group	
219	1	491397	Oil slinger gear	Oil slinger gear	
552	1	491986	Bussning	Bushing	
186	1	493496	Fuel pipe elbow	Fuel pipe elbow	
851	1	493880	Terminal	Terminal	
222	1	493896	Governor plate	Governor plate	
467	1	493903	Lås ratt	Knob	
445	1	493910	Cartridge	Cartridge	
227	1	493935	Arm	Lever	
958	1	493960	Fuel shut-off valve	Fuel shut-off valve	
957	1	493988	Fuel cap	Fuel cap	
304	1	494084	Blower housing	Blower housing	
356	1	494328	Ground wire	Ground wire	
975	1	494378	Bowl	Bowl	
133	1	494381	Flottör	Float	
118	1	494383	Nålventil	Needle valve	
141	1	494448	Choke shaft	Choke shaft	
634	1	494453	Seal	Seal	
875	1	494827	Body	Body	
142	1	494877	Nozzle	Nozzle	
131	1	494885	Axel	Shaft	
225	1	495157	Governor crank	Governor crank	
523	1	495228	Oil dipstick	Oil dipstick	
1	1	495612	Cylinder	Cylinder	
16	1	495629	Crankshaft	Crankshaft	
2	1	495657	Bussning	Bushing	
125	1	495780	Förgasare kpl	Carburettor Assy	
121	1	495799	Carburettor overhaul	Carburettor overhaul	Märkta/marked F
98	1	495800	Skruv	Screw	
306	1	496797	Shield	Shield	
147	1	497472	Munstycke	Pilot jet	
309	1	497595	Starter motor	Starter motor	
544	1	497603	Armature	Armature	
803	1	497604	Hus	Housing	
1090	1	497605	Brush set	Brush set	
510	1	497606	Startdrev	Drive	
802	1	497607	Botten	End Cap	
311	4	497608	Brush set	Brush set	
337	1	1111-9028-02	Tändstift (J19Lm)	Spark Plug (J19Lm)	Champion J19LM
337	1	1111-9028-02	Tändstift (J19Lm)	Spark Plug (J19Lm)	Champion J19LM
337	1	1111-9028-02	Tändstift (J19Lm)	Spark Plug (J19Lm)	Champion J19LM
337	1	1111-9028-02	Tändstift (J19Lm)	Spark Plug (J19Lm)	Champion J19LM
337	1	1111-9028-02	Tändstift (J19Lm)	Spark Plug (J19Lm)	Champion J19LM
337	1	1111-9028-02	Tändstift (J19Lm)	Spark Plug (J19Lm)	Champion J19LM
337	1	1111-9028-02	Tändstift (J19Lm)	Spark Plug (J19Lm)	Champion J19LM
337	1	1111-9028-02	Tändstift (J19Lm)	Spark Plug (J19Lm)	Champion J19LM
383	1	1111-9029-01	Tändstiftsnyckel (19 Mm-21 Mm)	Spark Plug Wrench (19 Mm-21 Mm)	Tillbehör/Accessory
337	1	9400-0225-00	Tändstift (J19Lm)	Spark Plug (J19Lm)	Champion J19LM

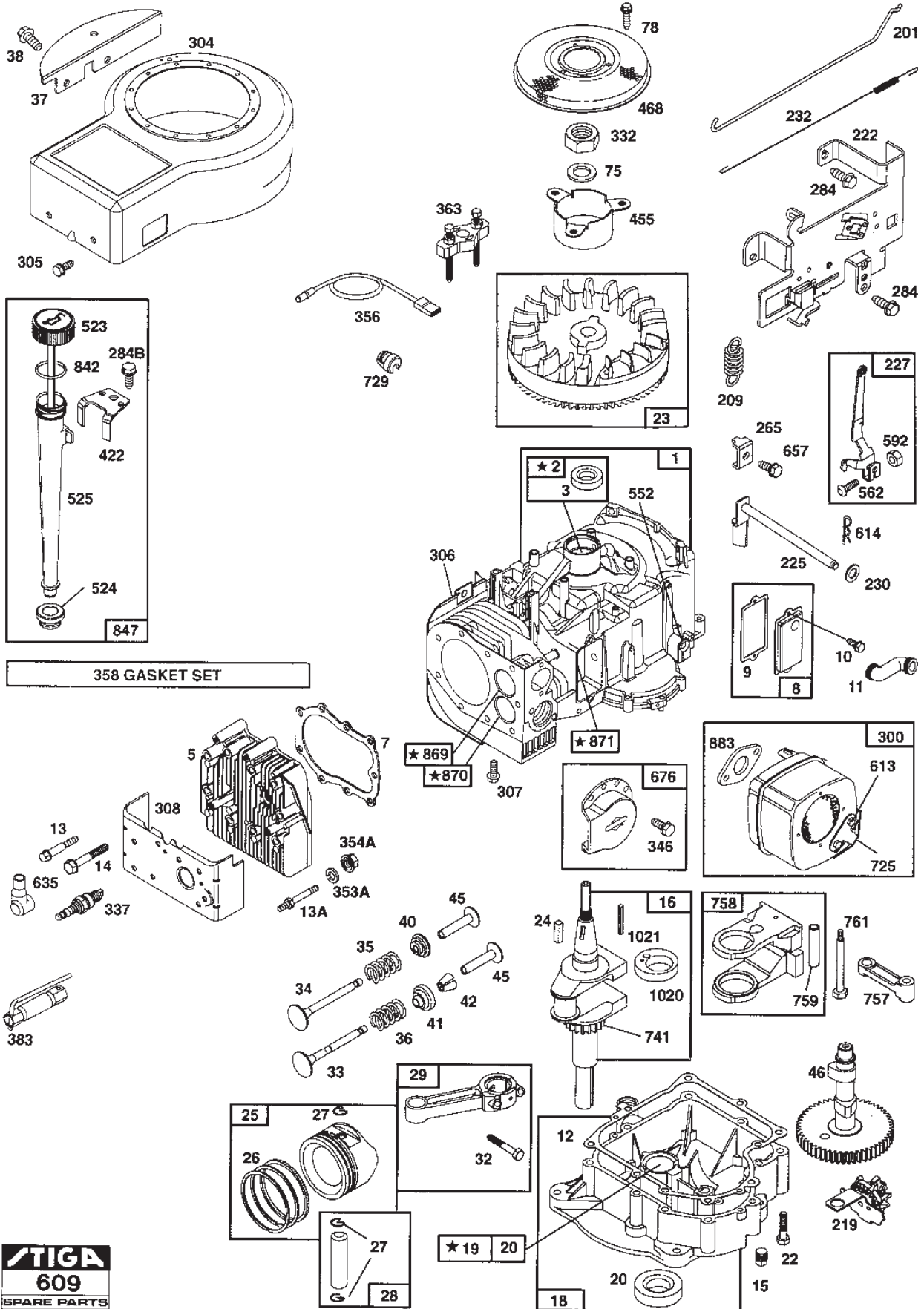


Utgåva Issue 37 - 2014		Cylinder Vevhus				Carburettor Fuel Tank
Pos. Fig.	Antal Q.ty	Art nr Part No	Benämning	Description	Anmärkning Notes	
337	1	9400-0225-00	Tändstift (J19Lm)	Spark Plug (J19Lm)	Champion J19LM	
337	1	9400-0225-00	Tändstift (J19Lm)	Spark Plug (J19Lm)	Champion J19LM	
337	1	9400-0225-00	Tändstift (J19Lm)	Spark Plug (J19Lm)	Champion J19LM	
337	1	9400-0225-00	Tändstift (J19Lm)	Spark Plug (J19Lm)	Champion J19LM	
337	1	9400-0225-00	Tändstift (J19Lm)	Spark Plug (J19Lm)	Champion J19LM	



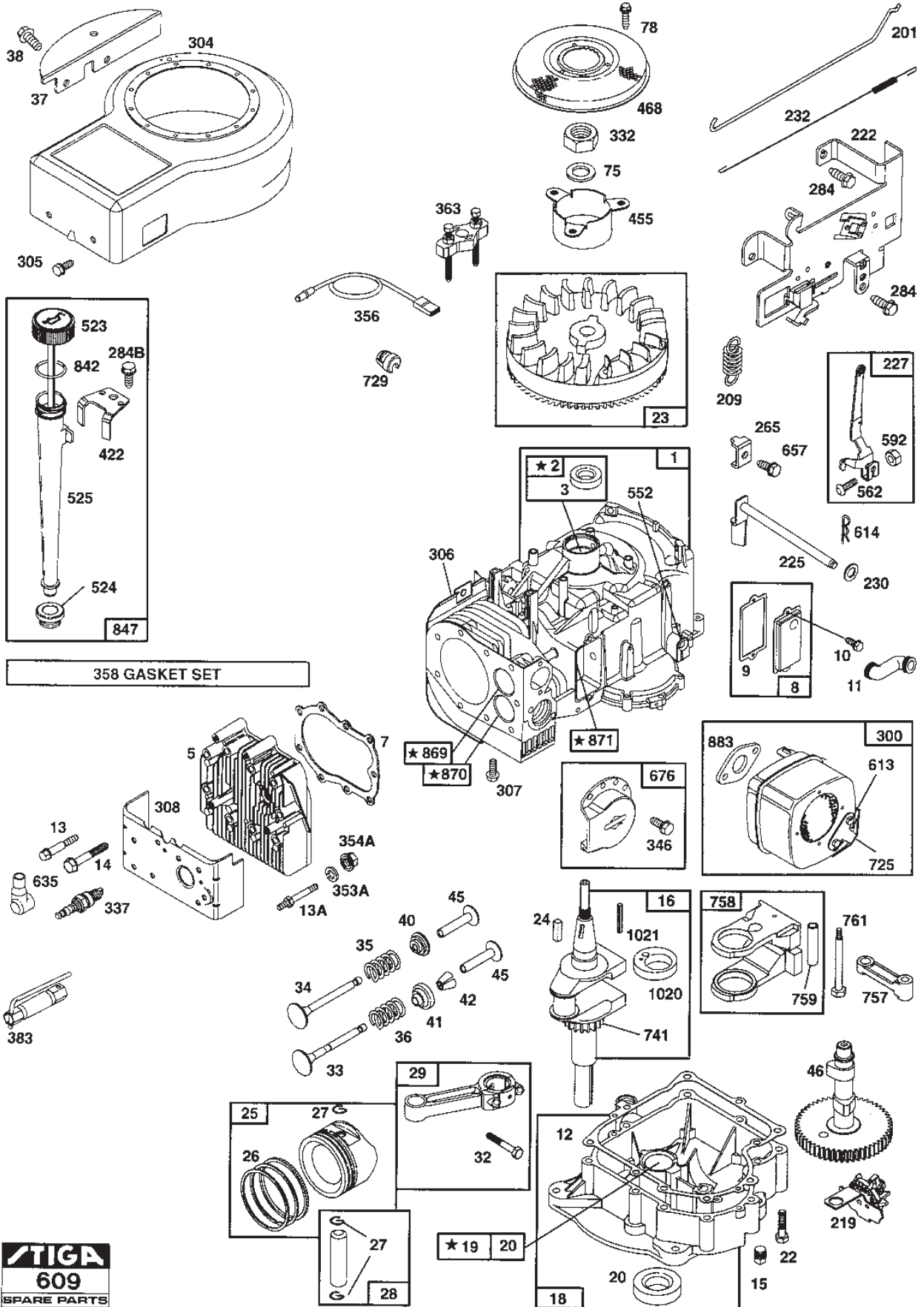
STIGA
609
SPARE PARTS

Utgåva Issue 37 - 2014		Cylinder Vevhus	Carburettor Fuel Tank		
Pos. Fig.	Antal Q.ty	Art nr Part No	Benämning	Description	Anmärkning Notes
363	1	19165	Flywheel puller	Flywheel puller	Tillbehör/Accessory
36	1	26828	Ventilfjäder-utblås	Valve spring-exhaust	
9	1	27803	Packning	Gasket	
35	1	65906	Ventilfjäder-insug	Valve spring-intake	
635	1	66538	Tändstiftsskydd	Spark plug elbow	
27	2	68546	Låsring	Lock	
169	2	90832	Bricka	Washer	
185	2	90970	Mutter	Nut	
332	1	92284	Mutter	Nut	
562	1	92613	Skruv	Screw	
601	2	93053	Slangklämma	Hose clamp	
614	1	93306	Låsnål	Cotter Pin Cotter pin	
334	2	93381	Skruv	Screw	
657	1	93496	Skruv	Screw	
22	6	93585	Skruv	Screw	
482	2	93621	Skruv	Screw	
42	2	93630	Hållare	Retainer	
188	2	93634	Skruv	Screw	
346	2	93705	Skruv	Screw	
14	1	93723	Skruv	Screw	
13A	2	93776	Stud	Stud	
310	2	94003	Skruv	Screw	
965	2	94010	Mutter	Nut	
613	2	94042	Skruv	Screw	
95	2	94098	Skruv	Screw	
15	1	94239	Oil drain plug	Oil drain plug	
184	2	94286	Skruv	Screw	
354A	1	94314	Mutter	Nut	
353A	1	94315	Bricka	Washer	
13	6	94565	Skruv	Screw	
761	2	94592	Skruv	Screw	
284B	1	94602	Skruv	Screw	
284B	2	94602	Skruv	Screw	
123	2	94616	Skruv	Screw	
284	1	94620	Skruv	Screw	
284	2	94620	Skruv	Screw	
10	1	94621	Skruv	Screw	
10	2	94621	Skruv	Screw	
307	1	94623	Skruv	Screw	
78	3	94626	Skruv	Screw	
653	2	94627	Skruv	Screw	
53	2	94637	Skruv	Screw	
955	1	94642	Skruv	Screw	
32	2	94670	Skruv	Screw	
284A	1	94704	Skruv	Screw	
836	1	94729	Skruv	Screw	
230	1	94742	Bricka	Washer	
224	1	94786	Skruv	Screw	
305	4	94786	Skruv	Screw	



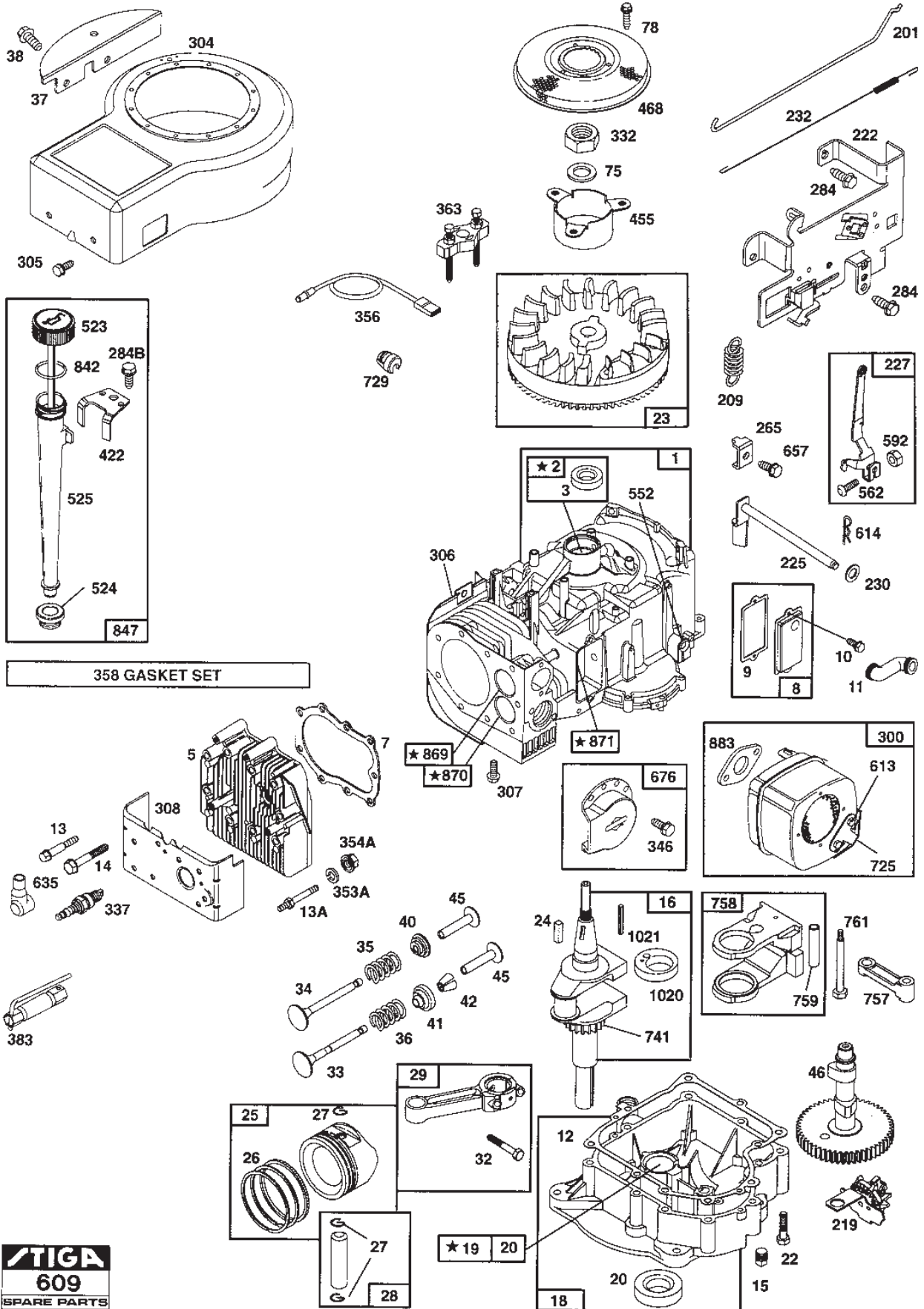
STIGA
609
SPARE PARTS

Utgåva Issue 37 - 2014		Cylinder Vevhus		Carburettor Fuel Tank	
Pos. Fig.	Antal Q.ty	Art nr Part No	Benämning	Description	Anmärkning Notes
38	2	94811	Skruv	Screw	
1021	1	94853	Stift	Pin	
869	1	211661	Valve seat-intake	Valve seat-intake	
46	1	211689	Kamaxel	Camshaft	
870	1	213316	Valve seat	Valve seat	
164	1	213819	Carburettor elbow	Carburettor elbow	
757	1	213998	Länk	Link	
5	1	214015	Topplöck	Cylinder Head	
527	2	221428	Clamp	Clamp	
265	1	221535	Klämma	Clamp	
40	1	221596	Hållare	Retainer	
725A	1	222175	Värmeskydd	Heat shield	
37	1	222475	Guard	Guard	
455	1	222561	Kopp	Cup	
24	1	222698	Kil	Key	
725	1	223540	Värmeskydd	Heat shield	
75	1	224061	Bricka	Washer	
468	1	224517	Nät	Screen	
108	1	224558	Choke valve	Choke valve	
646	1	224614	Brace	Brace	
130	1	224668	Gasspjäll	Throttle Valve	
422	1	224872	Clamp	Clamp	
182A	1	224884	Bracket L.H.	Bracket L.H.	
308	1	224896	Cover	Cover	
182	1	225074	Bracket R.H.	Bracket R.H.	
670	2	225137	Bricka	Washer	
592	1	231082	Mutter	Nut	
871	1	231218	Ventilstyrning-insug	Valve guide-intake	
871	1	231218	Ventilstyrning-insug	Valve guide-intake	
871	1	231218	Ventilstyrning-insug	Valve guide-intake	
871	1	231218	Ventilstyrning-insug	Valve guide-intake	
871	1	231218	Ventilstyrning-insug	Valve guide-intake	
871	1	231218	Ventilstyrning-insug	Valve guide-intake	
104	1	231789	Axel	Shaft	
106	1	231854	Valve seat	Valve seat	
105	1	231855	Nålventil	Inlet needle valve	
209	1	260871	Fjäder	Spring	
45	2	260933	Valve tappet	Valve tappet	
34	1	261055	Insugningsventil	Intake valve	
1020	1	261190	Excenter	Eccentric	
871	1	261961	Ventilstyrning-utblås	Valve guide-exhaust	
871	1	261961	Ventilstyrning-utblås	Valve guide-exhaust	
871	1	261961	Ventilstyrning-utblås	Valve guide-exhaust	
871	1	261961	Ventilstyrning-utblås	Valve guide-exhaust	
871	1	261961	Ventilstyrning-utblås	Valve guide-exhaust	
871	1	261961	Ventilstyrning-utblås	Valve guide-exhaust	
111	1	262715	Fjäder	Spring	
216	1	262768	Choke link	Choke link	
201	1	262769	Governor link	Governor link	



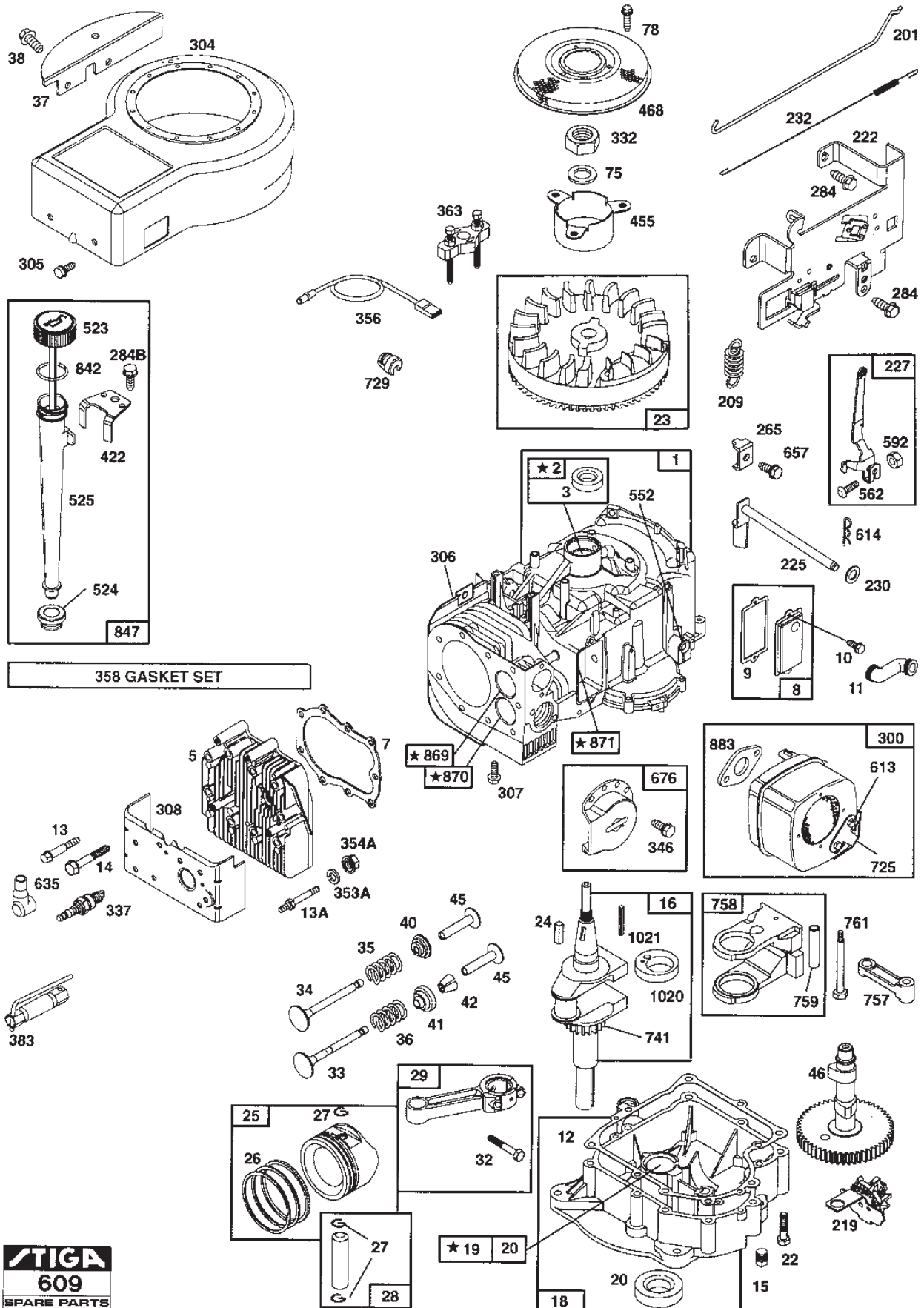
STIGA
609
SPARE PARTS

Utgåva Issue 37 - 2014		Cylinder Vevhus		Carburettor Fuel Tank	
Pos. Fig.	Antal Q.ty	Art nr Part No	Benämning	Description	Anmärkning Notes
232	1	262787	Fjäder	Spring	
741	1	263025	Gear	Gear	
615	1	263080	Retainer	Retainer	
842	1	270920	Tätning	Seal	
12	1	271701	Packning	Gasket	
7	1	272163	Packning	Gasket	
883	1	272309	Packning	Gasket	
51	1	272465	Packning	Gasket	
535	1	272477	Luftfilterelement	Filter Element	
52	1	272554	Packning	Gasket	
11	1	280005	Rör	Tube	
783	1	280104	Drev	Gear	
525	1	280133	Rör	Tube	
171	1	281051	Mutter	Nut	
872	1	281105	Cover	Cover	
537	1	281106	O-ring	O-ring	
138	1	281164	Bricka	Washer	
137	1	281165	Packning	Gasket	
987	1	281166	Seal	Seal	
634A	1	281167	Bricka	Washer	
93	1	281346	Bussning	Bushing	
524	1	281370	Seal	Seal	
729	1	281395	Clip	Clip	
41	1	292260	Rotator	Rotocoil	
28	1	295840	Kolvsprint	Piston Pin	
19	1	295963	Bussning	Bushing	
187	1	296004	Fuel pipe	Fuel pipe	
759	1	298909	Kolvsprint	Piston Pin	
358	1	299577	Packningssats	Gasket set	
758	1	390172	Balanseringsvikt	Counterweight	
180	1	390225	Fuel tank	Fuel tank	
29	1	390402	Connecting Rod	Connecting Rod	
183A	1	390405	Strap L.H.	Strap L.H.	
183	1	390406	Strap	Strap	
33	1	390420	Exhaust valve	Exhaust valve	
3	1	391086	Tätning	Seal	
20	1	391086	Tätning	Seal	
8	1	391406	Vevhusventilation	Breather	
887	1	391529	Stator	Stator	
23	1	391983	Flywheel	Flywheel	
847	1	392066	Oljesticka kpl	Oil filler group	
726	1	392134	Kuggkrans	Gear ring	
18	1	392548	Vevhus	Oil sump	
878	1	393422	Kabelhärva	Harness	
676	1	393757	Deflektor	Deflector	
877	1	393814	Connector	Connector	
25	1	393868	Kolv	Piston	
26	1	393881	Ring set	Ring set	
801	1	394856	Lock	Drive end cap	



STIGA
609
SPARE PARTS

Utgåva Issue 37 - 2014		Cylinder Vevhus		Carburettor Fuel Tank	
Pos. Fig.	Antal Q.ty	Art nr Part No	Benämning	Description	Anmärkning Notes
300	1	398507	Ljuddämpare	Muffler	
333	1	398811	Tändsystem kpl	Armature group	
219	1	491397	Oil slinger gear	Oil slinger gear	
552	1	491986	Bussning	Bushing	
186	1	493496	Fuel pipe elbow	Fuel pipe elbow	
851	1	493880	Terminal	Terminal	
222	1	493896	Governor plate	Governor plate	
467	1	493903	Lås ratt	Knob	
445	1	493910	Cartridge	Cartridge	
227	1	493935	Arm	Lever	
958	1	493960	Fuel shut-off valve	Fuel shut-off valve	
957	1	493988	Fuel cap	Fuel cap	
304	1	494084	Blower housing	Blower housing	
356	1	494328	Ground wire	Ground wire	
975	1	494378	Bowl	Bowl	
133	1	494381	Flottör	Float	
118	1	494383	Nålventil	Needle valve	
141	1	494448	Choke shaft	Choke shaft	
634	1	494453	Seal	Seal	
875	1	494827	Body	Body	
142	1	494877	Nozzle	Nozzle	
131	1	494885	Axel	Shaft	
225	1	495157	Governor crank	Governor crank	
523	1	495228	Oil dipstick	Oil dipstick	
1	1	495612	Cylinder	Cylinder	
16	1	495629	Crankshaft	Crankshaft	
2	1	495657	Bussning	Bushing	
125	1	495780	Förgasare kpl	Carburettor Assy	
121	1	495799	Carburettor overhaul	Carburettor overhaul	Märkta/marked F
98	1	495800	Skruv	Screw	
306	1	496797	Shield	Shield	
147	1	497472	Munstycke	Pilot jet	
309	1	497595	Starter motor	Starter motor	
544	1	497603	Armature	Armature	
803	1	497604	Hus	Housing	
1090	1	497605	Brush set	Brush set	
510	1	497606	Startdrev	Drive	
802	1	497607	Botten	End Cap	
311	4	497608	Brush set	Brush set	
337	1	1111-9028-02	Tändstift (J19Lm)	Spark Plug (J19Lm)	Champion J19LM
337	1	1111-9028-02	Tändstift (J19Lm)	Spark Plug (J19Lm)	Champion J19LM
337	1	1111-9028-02	Tändstift (J19Lm)	Spark Plug (J19Lm)	Champion J19LM
337	1	1111-9028-02	Tändstift (J19Lm)	Spark Plug (J19Lm)	Champion J19LM
337	1	1111-9028-02	Tändstift (J19Lm)	Spark Plug (J19Lm)	Champion J19LM
337	1	1111-9028-02	Tändstift (J19Lm)	Spark Plug (J19Lm)	Champion J19LM
337	1	1111-9028-02	Tändstift (J19Lm)	Spark Plug (J19Lm)	Champion J19LM
337	1	1111-9028-02	Tändstift (J19Lm)	Spark Plug (J19Lm)	Champion J19LM
383	1	1111-9029-01	Tändstiftsnyckel (19 Mm-21 Mm)	Spark Plug Wrench (19 Mm-21 Mm)	Tillbehör/Accessory
337	1	9400-0225-00	Tändstift (J19Lm)	Spark Plug (J19Lm)	Champion J19LM



Utgåva Issue 37 - 2014		Cylinder Vevhus				Carburettor Fuel Tank
Pos. Fig.	Antal Q.ty	Art nr Part No	Benämning	Description	Anmärkning Notes	
337	1	9400-0225-00	Tändstift (J19Lm)	Spark Plug (J19Lm)	Champion J19LM	
337	1	9400-0225-00	Tändstift (J19Lm)	Spark Plug (J19Lm)	Champion J19LM	
337	1	9400-0225-00	Tändstift (J19Lm)	Spark Plug (J19Lm)	Champion J19LM	
337	1	9400-0225-00	Tändstift (J19Lm)	Spark Plug (J19Lm)	Champion J19LM	
337	1	9400-0225-00	Tändstift (J19Lm)	Spark Plug (J19Lm)	Champion J19LM	

code	pos.	q.ty	page				
790033	22	1	p. 25	P000-7920-01	44	1	p. 27
790033	22	1	p. 25	P000-7920-35	32	1	p. 27
792001	44	1	p. 25	P000-7920-41	11	4	p. 31
792001	44	1	p. 25	P000-7920-72	5	1	p. 11
792035	32	1	p. 25	P000-7920-72	5	1	p. 11
792035	32	1	p. 25	P000-7920-72	31	1	p. 27
792041	11	4	p. 29	P000-7920-73	36	8	p. 27
792041	11	4	p. 29	P000-7920-74	47	1	p. 27
792072	5	1	p. 11	P000-7920-75	38	1	p. 27
792072	31	1	p. 25	P000-7920-76	39	1	p. 27
792072	31	1	p. 25	P000-7920-77	40	1	p. 27
792073	36	8	p. 25	P000-7920-78	41	1	p. 27
792073	36	8	p. 25	P000-7920-79	42	1	p. 27
792074	47	1	p. 25	P000-7920-83	45	1	p. 27
792074	47	1	p. 25	P000-7921-25	10	4	p. 31
792075	38	1	p. 25	P007-7006-1A	1	1	p. 27
792075	38	1	p. 25	P007-7208-3A	2	1	p. 27
792076	39	1	p. 25	P007-7811-3A	19	1	p. 27
792076	39	1	p. 25	P007-7812-1A	4	1	p. 27
792077	40	1	p. 25	P007-7812-2A	5	1	p. 27
792077	40	1	p. 25	P007-7812-3A	6	1	p. 27
792078	41	1	p. 25	P007-7812-4A	7	1	p. 27
792078	41	1	p. 25	P007-7812-6A	14	1	p. 27
792079	42	1	p. 25	P007-7812-7A	15	1	p. 27
792079	42	1	p. 25	P007-7812-8A	16	1	p. 27
792083	45	1	p. 25	P007-7812-9A	17	1	p. 27
792083	45	1	p. 25	P007-8010-5A	27	4	p. 27
792089	37	2	p. 25	P007-8806-7B	90	1	p. 27
792089	37	2	p. 25	P007-8806-7B	90	1	p. 31
792125	10	4	p. 29	P007-9208-9A	37	2	p. 27
792125	10	4	p. 29				
P000-7743-44	1	1	p. 29				
P000-7743-45	1A	1	p. 29				
P000-7747-40	2	1	p. 29				
P000-7747-41	3	1	p. 29				
P000-7761-34	12	1	p. 27				
P000-7761-35	18	1	p. 27				
P000-7762-17	3	1	p. 27				
P000-7780-68	5	2	p. 31				
P000-7781-09	13	1	p. 27				
P000-7781-25	8	1	p. 27				
P000-7782-21	4	2	p. 31				
P000-7800-01	8	2	p. 31				
P000-7800-72	29	5	p. 27				
P000-7800-77	13	2	p. 31				
P000-7800-86	30	2	p. 27				
P000-7800-96	7	2	p. 31				
P000-7801-08	43	5	p. 27				
P000-7801-09	33	1	p. 27				
P000-7842-66	9	1	p. 27				
P000-7842-67	35	1	p. 27				
P000-7860-26	26	2	p. 27				
P000-7860-40	6	1	p. 31				
P000-7860-81	28	1	p. 27				
P000-7860-82	11	1	p. 27				
P000-7860-83	10	1	p. 27				
P000-7860-86	46	1	p. 27				
P000-7861-14	6	1	p. 11				
P000-7861-14	6	1	p. 11				
P000-7861-14	20	1	p. 27				
P000-7880-40	34	1	p. 27				
P000-7900-03	21	1	p. 27				
P000-7900-06	24	2	p. 27				
P000-7900-07	25	1	p. 27				
P000-7900-25	23	1	p. 27				
P000-7900-33	22	1	p. 27				