

# STIGA

## *Reservdelskatalog Parts Catalogue*

### **VILLA COMFORT**

**13-2723-34 - Season 2004**

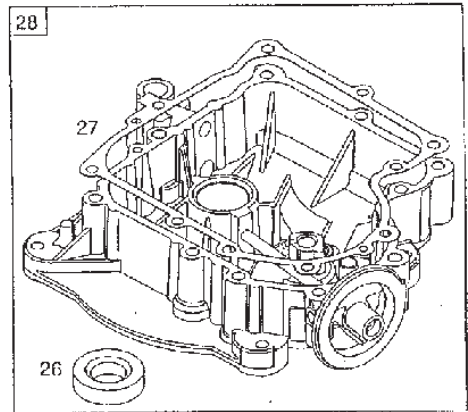
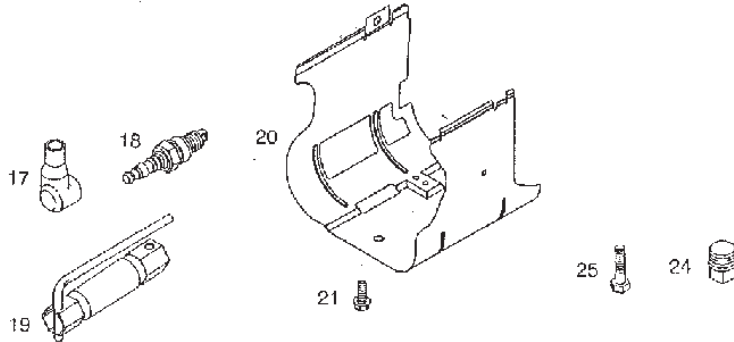
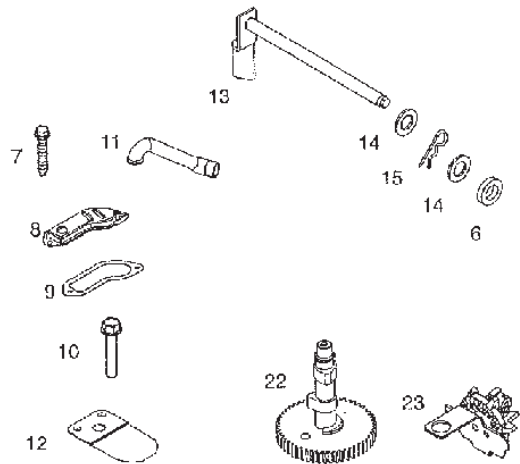
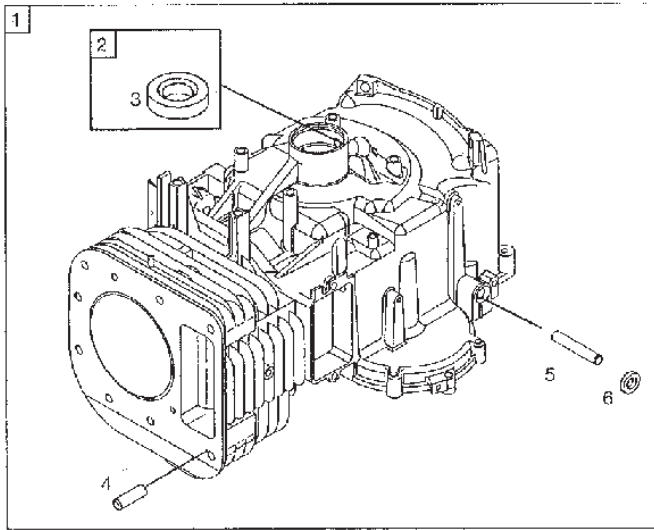
- Use GLOBAL GARDEN PRODUCT Genuine Spare Parts specified in the parts list for repair and/or replacement.
  - The contents described in the parts list may change due to improvement.
  - The drawings of the spare parts are only indicative and might not represent the part in question exactly.
  - The indications "right" - "left" - "front" - "rear" refer to the position of the operator when using the machine.
- When placing orders of parts for repair and/or replacement, make sure that the illustrated parts list is the one applying to the machine's year of manufacture, as shown on the identification plate attached to the machine.

© Copyright 2004 Global Garden Products

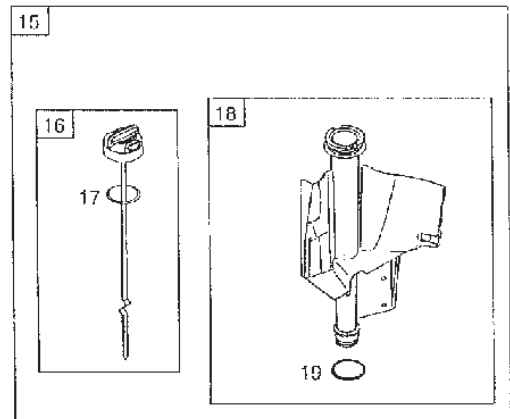
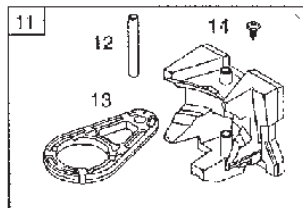
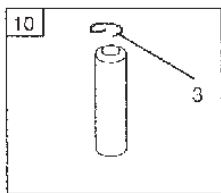
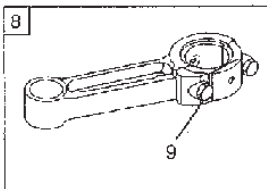
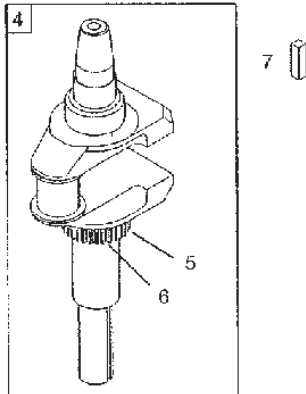
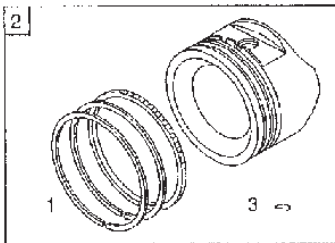
All rights reserved. No part of this material may be reproduced or transmitted, in any form or by any means, electronic or mechanical, including photocopying, recording or by any information storage and retrieval system, without permission in writing from GLOBAL GARDEN PRODUCTS.

*[www.stiga.com](http://www.stiga.com)*

A

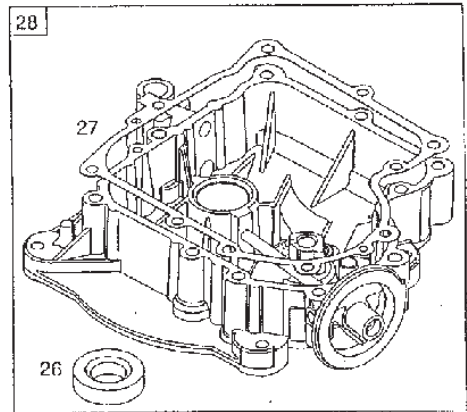
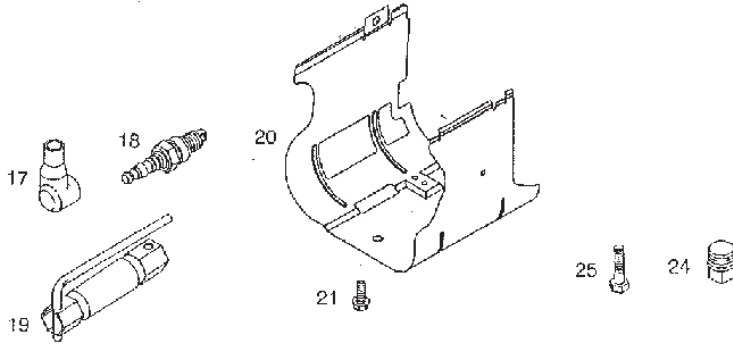
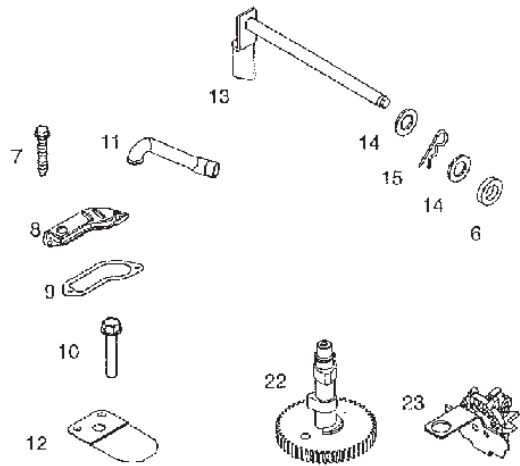
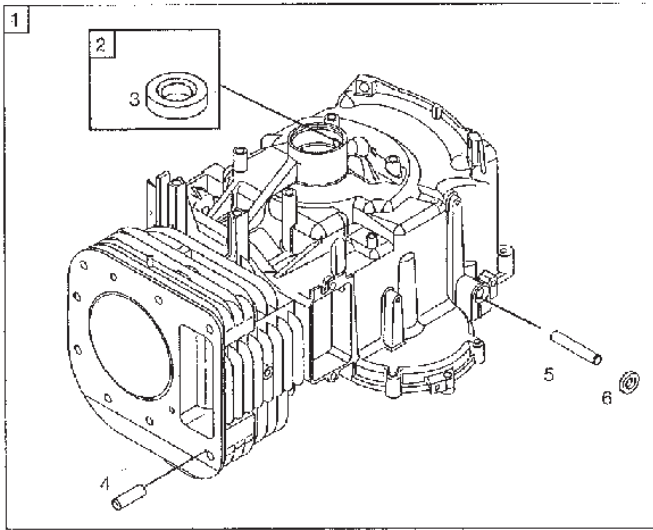


B

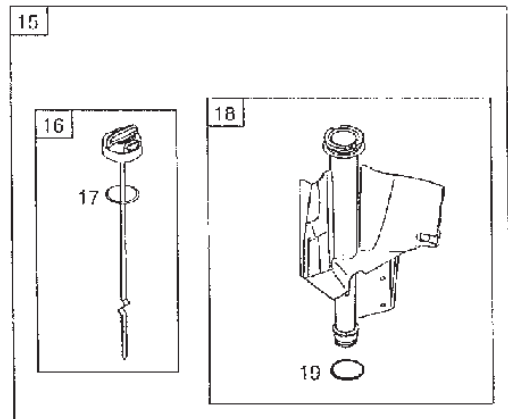
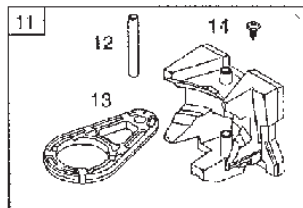
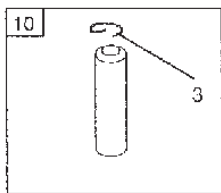
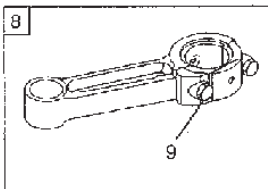
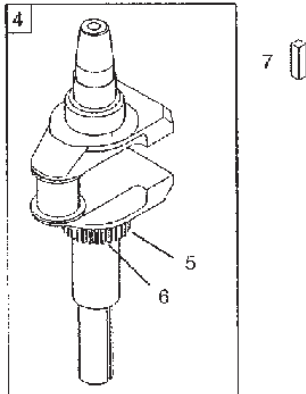
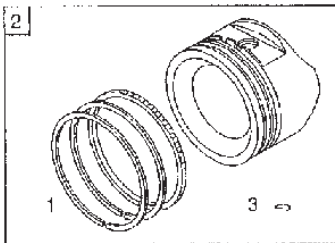


Utgåva Issue 20 - 2015		Cylinder (A) Vevaxel (B)		Cylinder (A) Crankshaft (B)	
Pos. Fig.	Antal Q.ty	Art nr Part No	Benämning	Description	Anmärkning Notes
1	1	697377	Cylinder kpl	Cylinder Assy	21A907-0113
1	1	698375	Ring set	Ring set	Standard
1	1	698377	Ring set	Ring set	.020" oversize
1	1	698375	Ring set	Ring set	Standard _/ 21A907-0113
1	1	698377	Ring set	Ring set	.020" oversize _/ 21A907-0113
2	1	399265	Bussning	Bushing	21A907-0113
2	1	698371	Kolv kpl	Piston Assy	Standard
2	1	698373	Kolv kpl	Piston Assy	.020" oversize
2	1	698371	Kolv kpl	Piston Assy	Standard _/ 21A907-0113
2	1	698373	Kolv kpl	Piston Assy	.020" oversize _/ 21A907-0113
3	1	391086	Tätningring	Seal	21A907-0113
3	2	698469	Lasring	Lock	21A907-0113
4	2	690959	Tapp	Locating pin	21A907-0113
4	1	697390	Crankshaft	Crankshaft	21A907-0113
5	1	697144	Bussning	Bushing	21A907-0113
5	1	697128	Timing gear	Timing gear	21A907-0113
6	1	692407	Seal	Seal	21A907-0113
6	1	691639	Kil	Key	21A907-0113
7	2	697157	Skruv	Screw	21A907-0113
7	1	222698	Kil	Key	21A907-0113
8	1	697112	Cover	Cover	21A907-0113
8	1	697364	Connecting Rod	Connecting Rod	21A907-0113
9	1	697109	Packning	Gasket	21A907-0113
9	2	692852	Skruv	Screw	21A907-0113
10	1	697104	Skruv	Screw	21A907-0113
10	1	697099	Kolvsprint	Piston Pin	21A907-0113
11	1	697113	Breather Tube	Breather Tube	21A907-0113
11	1	697391	Motvikt	Counterweight	21A907-0113
12	1	697124	Breather reed	Breather reed	21A907-0113
12	1	697392	Stift	Pin	21A907-0113
13	1	692012	Governor crank	Governor crank	21A907-0113
13	1	697607	Länk	Link	21A907-0113
14	2	691691	Bricka	Washer	21A907-0113
14	2	697156	Plugg	Plug	21A907-0113
15	1	691620	Lasnal	Cotter pin	21A907-0113
15	1	697611	Oil dipstick assy	Oil dipstick assy	21A907-0113
16	1	697086	Oil dipstick	Oil dipstick	21A907-0113
17	1	691909	Spark plug boot	Spark plug boot	21A907-0113
17	1	691031	O-ring	O-ring	21A907-0113
18	1	9400-0244-00	Tändstift	Spark Plug	21A907-0113
18	1	697184	Oljerör	Dipstick tube	21A907-0113
19	1	89838	Hylsnyckel	Spark plug wrench	21A907-0113
19	1	691032	Tube seal	Tube seal	21A907-0113
20	1	697359	Cylinder shield	Cylinder shield	21A907-0113
21	1	691003	Skruv	Screw	21A907-0113
22	1	699016	Kamaxel	Camshaft	21A907-0113

A

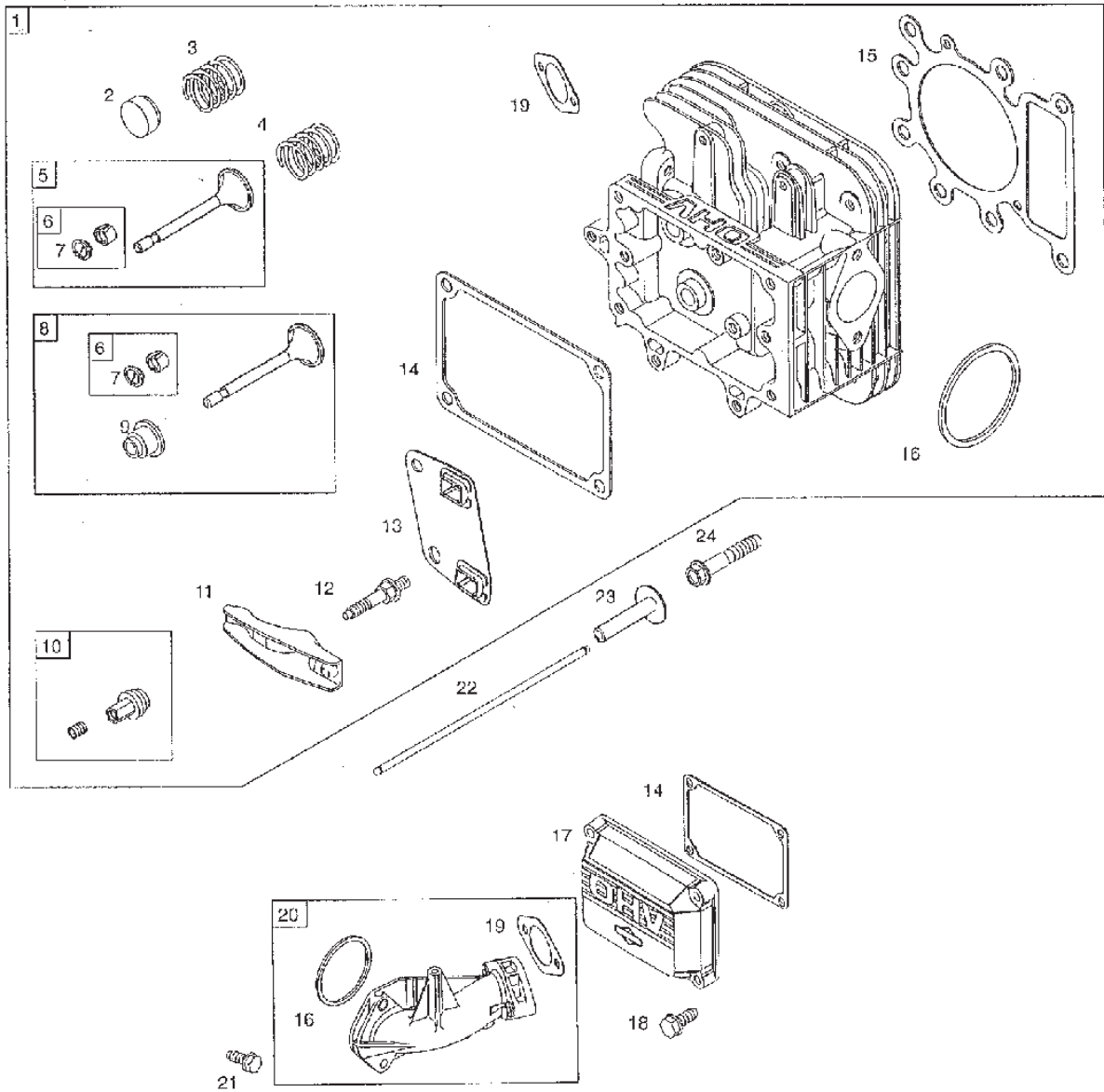


B



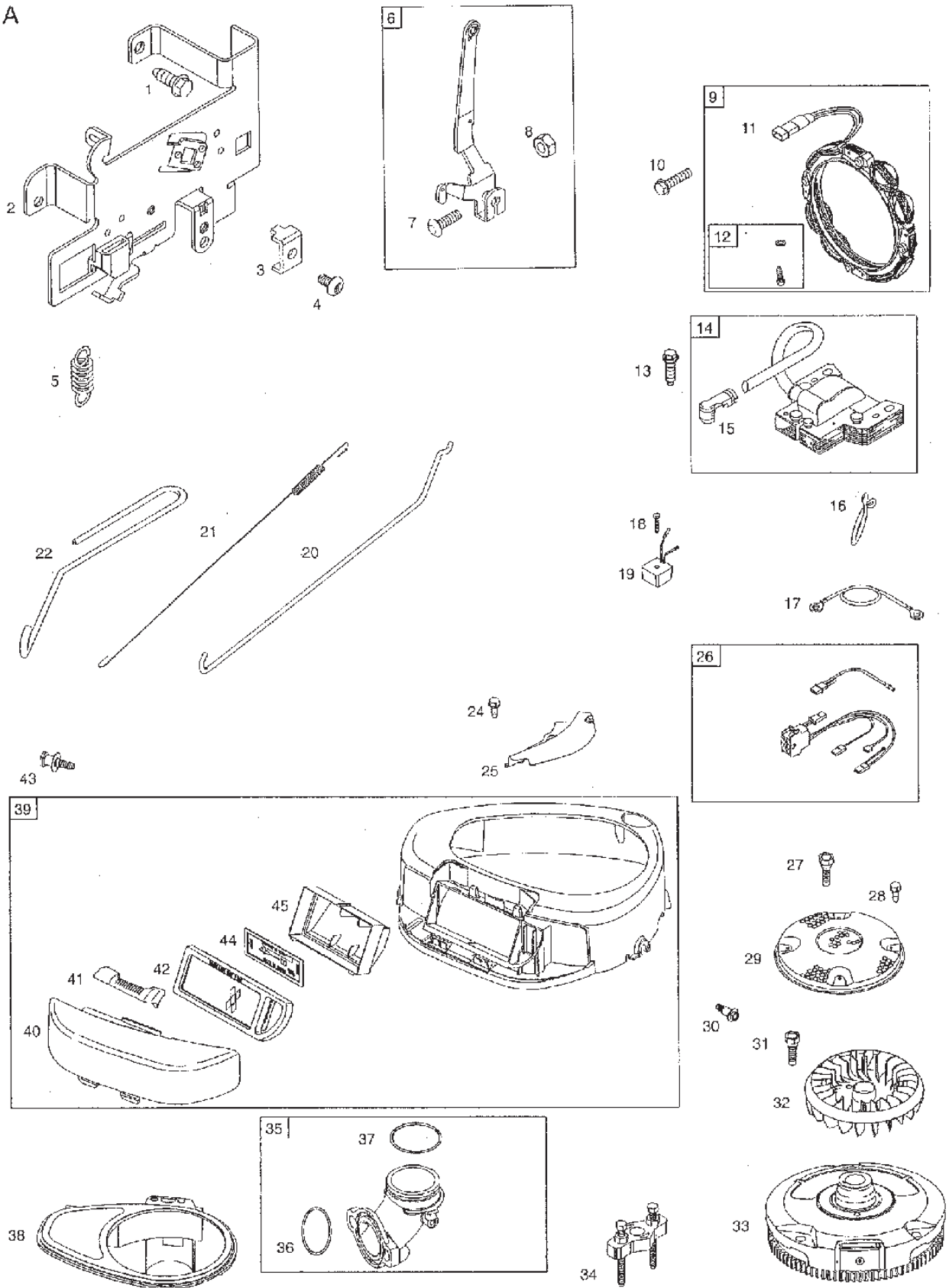
Utgåva Issue 20 - 2015		Cylinder (A) Vevaxel (B)		Cylinder (A) Crankshaft (B)	
Pos. Fig.	Antal Q.ty	Art nr Part No	Benämning	Description	Anmärkning Notes
23	1	691968	Oil slinger	Oil slinger	21A907-0113
24	1	690946	Oil drain plug	Oil drain plug	21A907-0113
25	10	692125	Skruv	Screw	21A907-0113
26	1	690947	Oil seal	Oil seal	21A907-0113
27	1	697110	Packning	Gasket	21A907-0113
28	1	697106	Oljesump	Engine sump	21A907-0113

A



Utgåva Issue 20 - 2015		Topplöck (A)		Cylinder Head (A)	
Pos. Fig.	Antal Q.ty	Art nr Part No	Benämning	Description	Anmärkning Notes
1	1	697396	Topplöck	Cylinder Head	21A907-0113
2	1	691843	Valve cap	Valve cap	21A907-0113
3	1	691279	Valve spring	Valve spring	21A907-0113
4	1	691279	Valve spring	Valve spring	21A907-0113
5	1	495856	Valve-exhaust	Valve-exhaust	21A907-0113
6	2	499586	Valve keeper	Valve keeper	21A907-0113
7	2	690964	Valve retainer	Valve retainer	21A907-0113
8	1	495857	Valve-intake	Valve-intake	21A907-0113
9	1	690968	Valve seal	Valve seal	21A907-0113
10	2	691986	Vipparmsjustering	Rocker arm adjuster	21A907-0113
11	2	691751	Vipparm	Rocker arm	21A907-0113
12	2	691095	Stud	Stud	21A907-0113
13	1	690822	Stötstangsstyrning	Push rod guide	21A907-0113
14	1	272475	Packning	Gasket	21A907-0113
15	1	273280	Topplöckspackning	Cylinder head gasket	21A907-0113
16	1	692138	O-ring	O-ring	21A907-0113
17	1	692492	Ventilkapa	Rocker cover	21A907-0113
18	4	691108	Skruv	Screw	21A907-0113
19	1	692137	Packning	Gasket	21A907-0113
20	1	697361	Insugningsrör	Intake Manifold	21A907-0113
21	2	691148	Skruv	Screw	21A907-0113
22	1	697394	Stötstang (insug)	Push rod (intake)	21A907-0146
22	1	697395	Stötstang (utblas)	Push rod (exhaust)	21A907-0113
23	2	690564	Valve tappet	Valve tappet	21A907-0113
24	8	690360	Skruv	Screw	21A907-0113

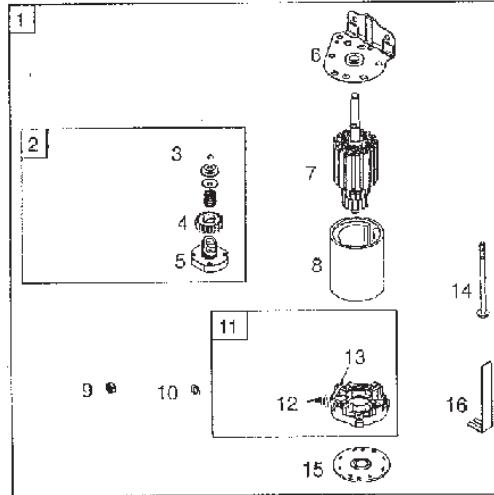
A



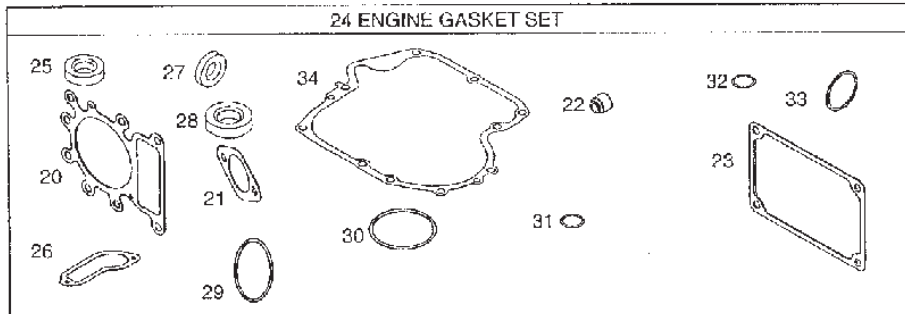
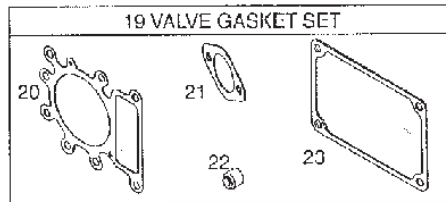


Utgåva Issue 20 - 2015		Regulator (A) Fläkthus (A)		Governor (A) Blower Housing (A)	
Pos. Fig.	Antal Q.ty	Art nr Part No	Benämning	Description	Anmärkning Notes
1	2	691693	Skruv	Screw	
2	1	694042	Fäste	Control Bracket	
3	1	691024	Clamp	Clamp	
4	1	690804	Skruv	Screw	
5	1	690480	Regulatorfjäder	Governor Spring	
5	1	691795	Regulatorfjäder	Governor Spring	21A907-0113
6	1	691374	Governor lever	Governor lever	
7	1	691119	Bult	Bolt	
8	1	691251	Mutter	Nut	
9	1	696457	Generator	Alternator	
10	4	691183	Skruv	Screw	
11	1	393537	Anslutning	Connector	
12	1	698516	Bricka	Washer	
13	2	691061	Skruv	Screw	
14	1	492341	Armature magneto	Armature magneto	
15	1	493880	Terminal	Terminal	
16	1	694123	Wire clip	Wire clip	
17	1	697089	Stop wire	Stop wire	
18	1	697088	Skruv	Screw	
19	1	691188	Regulator	Regulator	
20	1	691841	Governor link	Governor link	
21	1	691842	Fjäder	Spring	
22	1	691840	Choke link	Choke link	
24	2	691003	Skruv	Screw	
25	1	697352	Guard	Guard	
26	1	698329	Kabelhärva	Wiring harness	
27	1	698139	Skruv	Screw	
28	4	697897	Skruv	Screw	
29	1	697133	Roterande skydd	Rotating screen	
30	2	697102	Skruv	Screw	
31	2	690372	Skruv	Screw	
32	1	699044	Fan	Fan	
33	1	698282	Flywheel	Flywheel	
34	1	19203	Avdragare	Puller	
35	1	697122	Insugningsrör	Intake elbow	
36	1	691917	O-ring	O-ring	
37	1	697123	O-ring	O-ring	
38	1	698368	Trim plate	Trim plate	
39	1	697870	Blower housing	Blower housing	
40	1	697420	Cover	Cover	
41	1	697419	Spärr	Latch	
42	1	698413	Luftfilter	Air Cleaner Filter	
43	1	697103	Skruv	Screw	
44	1	697292	Förfilter	Pre-cleaner filter	
45	1	697155	Retainer	Retainer	

A

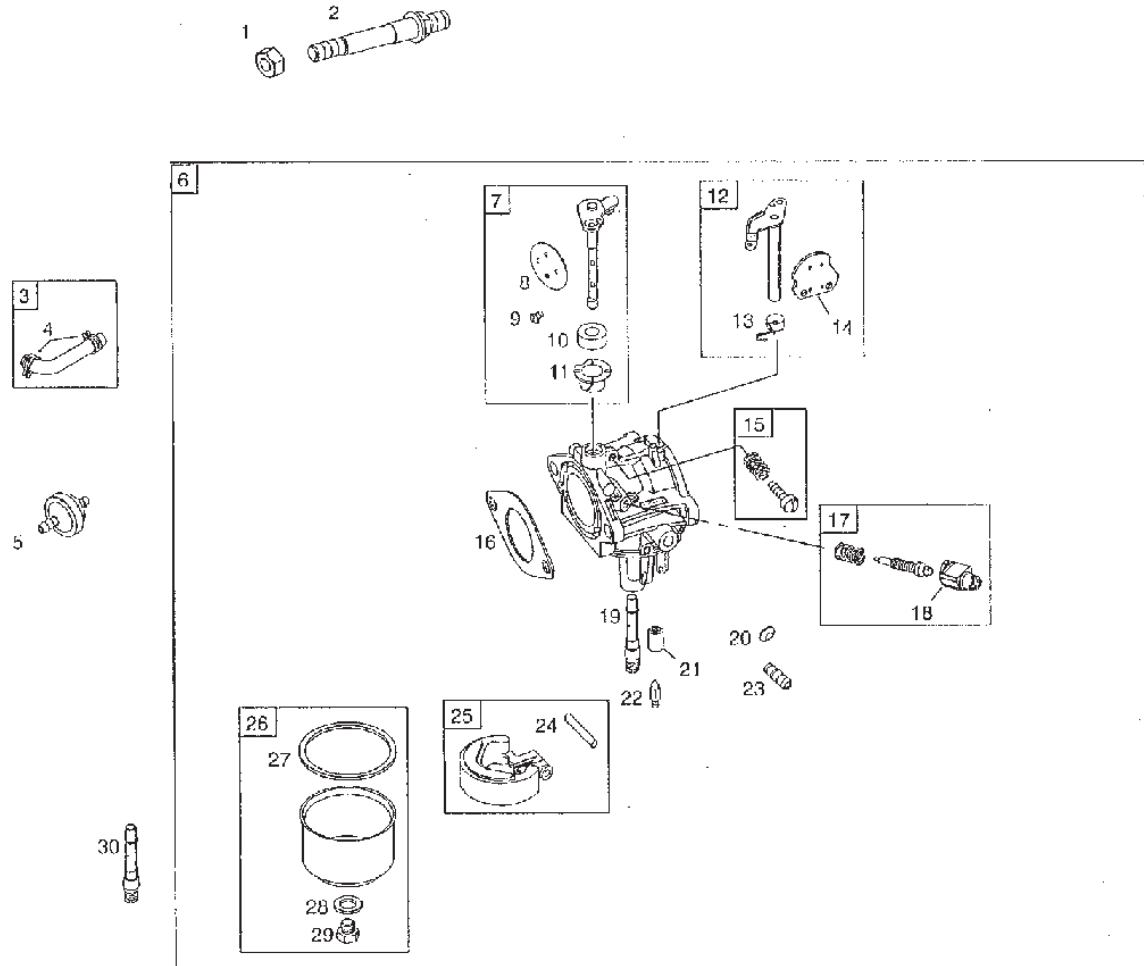


17  
18



Utgåva Issue 20 - 2015		Startmotor (A) Packningssats (A)		Starter Motor (A) Gasket Set (A)	
Pos. Fig.	Antal Q.ty	Art nr Part No	Benämning	Description	Anmärkning Notes
1	1	693551	Starter motor assy	Starter motor assy	
2	1	693699	Startdrev	Starter Drive	
3	1	691265	Retaining ring	Retaining ring	
4	1	693713	Drev	Pinion gear	
5	1	692024	Koppling	Drive clutch	
6	1	691283	Lock	Drive cap	
7	1	692034	Armature	Armature	
8	1	693757	Starter housing	Starter housing	
9	1	691029	Mutter	Nut	
10	1	691261	Bricka	Washer	
11	1	691293	Brush retainer	Brush retainer	
12	1	693167	Mutter	Nut	
13	1	497608	Brush set	Brush set	
14	2	690323	Bult	Bolt	
15	1	691286	Botten	End Cap	
16	1	691532	Strap	Strap	
17	1	691224	Wire clip	Wire clip	
18	1	690372	Skruv	Screw	
19	1	691581	Packningssats-motor	Gasket set-valve	
20	1	273280	Topplöckspackning	Cylinder head gasket	
21	1	692137	Packning	Gasket	
22	1	690968	Valve seal	Valve seal	
23	1	272475	Packning	Gasket	
24	1	697151	Packningssats-motor	Gasket set-engine	
25	1	391086	Tätningring	Seal	
26	1	697109	Packning	Gasket	
27	1	692407	Seal	Seal	
28	1	690947	Oil seal	Oil seal	
29	1	691917	O-ring	O-ring	
30	1	697123	O-ring	O-ring	
31	1	691032	Tube seal	Tube seal	
32	1	691031	O-ring	O-ring	
33	1	692138	O-ring	O-ring	
34	1	697110	Packning	Gasket	

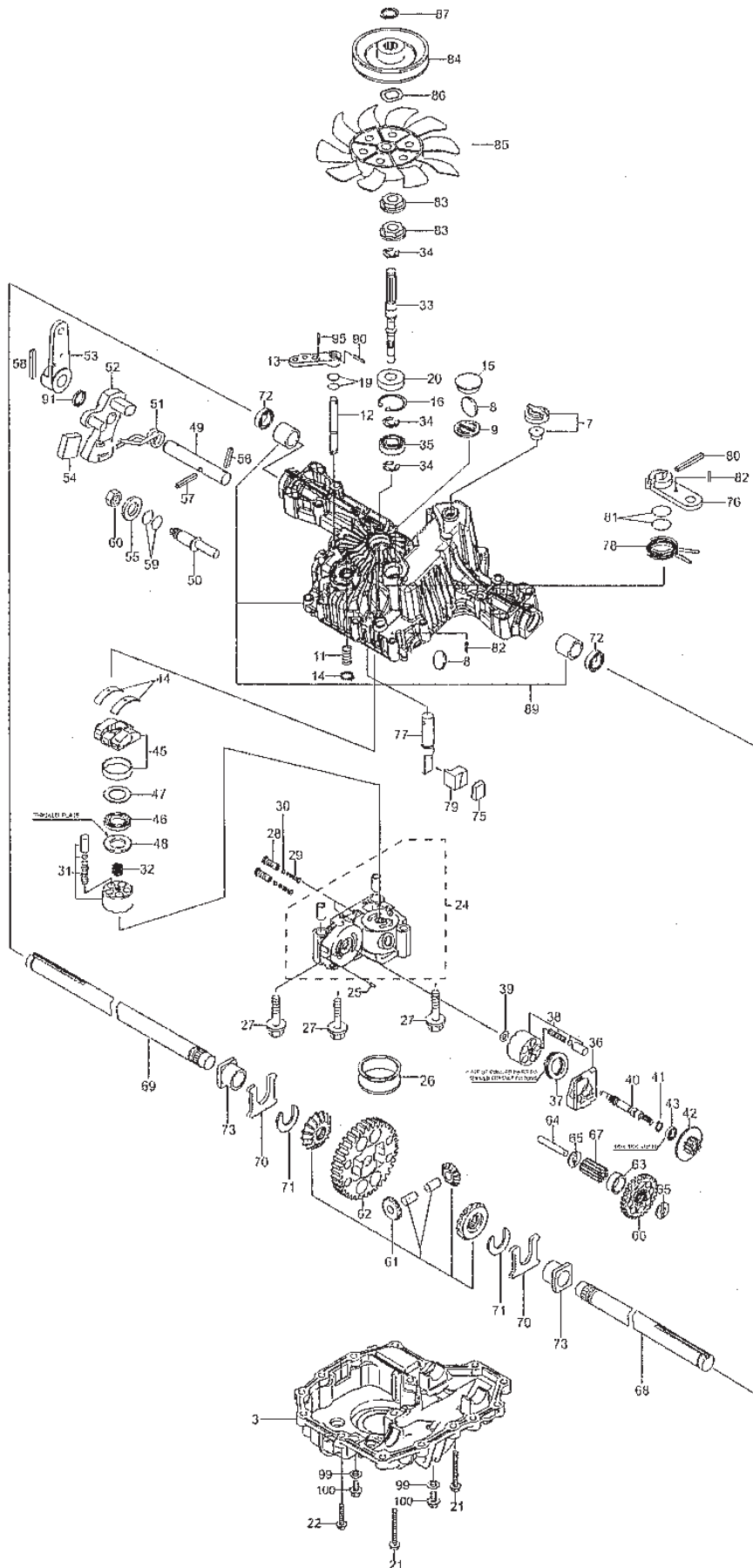
A



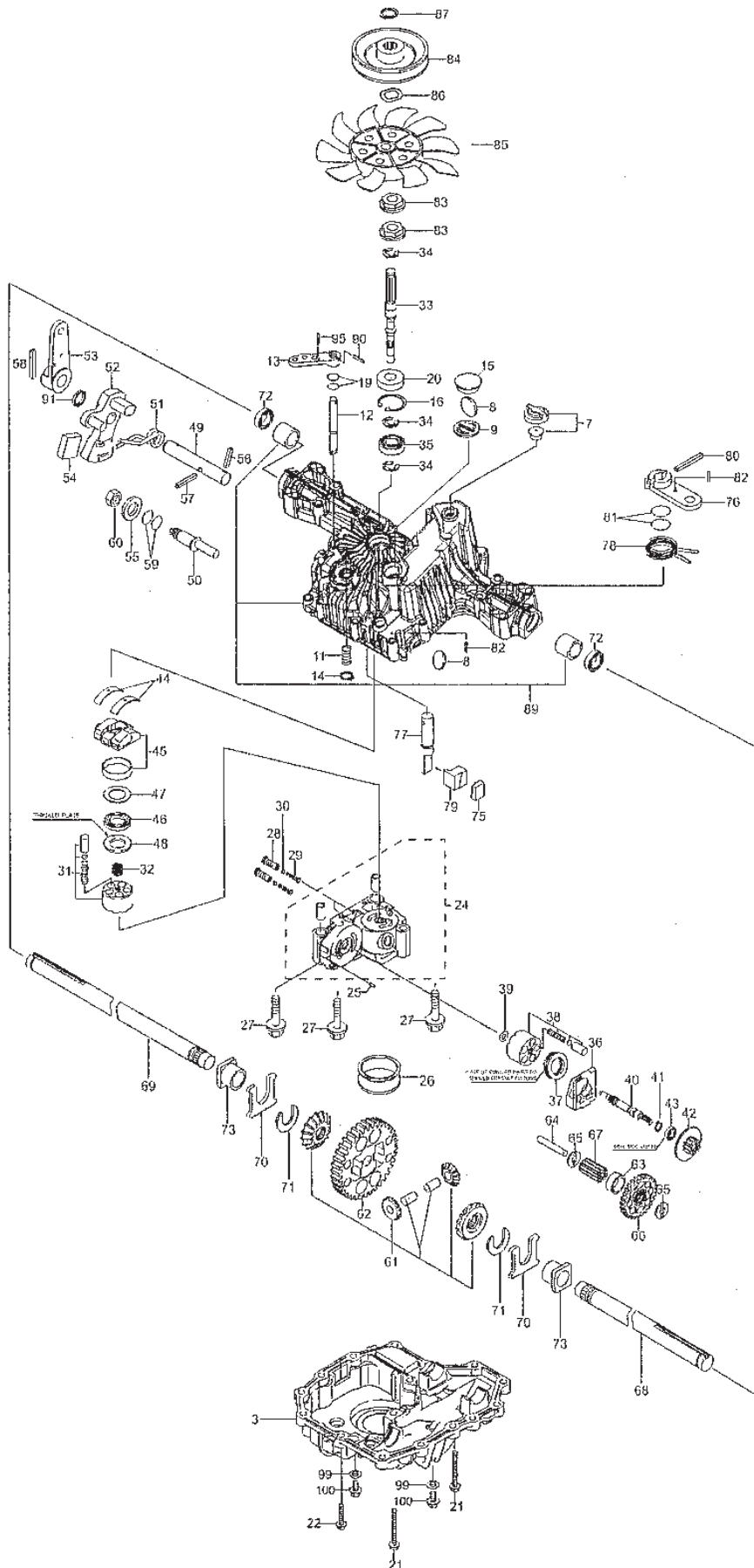
31 CARBURETOR OVERHAUL KIT			
16	22	27	10
11	21	19	32
9	20	26	33
24			



Utgåva Issue 20 - 2015		Förgasare (A) Packningssats (A)		Carburettor (A) Gasket Set (A)	
Pos. Fig.	Antal Q.ty	Art nr Part No	Benämning	Description	Anmärkning Notes
1	2	690958	Mutter	Nut	
2	2	690227	Stud	Stud	
3	1	699331	Fuel line	Fuel line	
4	2	95162	Slangklämma	Hose clamp	
5	1	394358	Bränslefilter	Fuelfilter	
6	1	790019	Förgasare kpl	Carburettor Assy	
7	1	790175	Spjällsaxeln	Throttle Shaft	
8	1	790024	Gasspjäll	Throttle Valve	
9	1	691636	Skruv	Screw	
10	1	691326	Shaft seal	Shaft seal	
11	1	690602	Shaft bushing	Shaft bushing	
12	1	699027	Choke shaft	Choke shaft	
13	1	690802	Spring and seal	Spring and seal	
14	1	691227	Choke valve	Choke valve	
15	1	495800	Skruv	Screw	
16	1	692137	Packning	Gasket	
17	1	498030	Nalventil	Needle valve	
18	1	691333	Begränsningshuv	Limiter cap	
19	1	790025.	Nozzle	Nozzle	Standard
20	1	694524	Welch plug	Welch plug	
21	1	690577	Säte	Inlet seat	
22	1	231855	Nalventil	Inlet needle valve	
23	1	698174	Nippel	Hose connector	
24	1	690525	Flottörxel	Float hinge pin	
25	1	494381	Flottör	Float	
26	1	495933	Bowl	Bowl	
27	1	281165	Packning	Gasket	
28	1	692255	Bricka	Washer	
29	1	691657	Skruv	Screw	
30	1	790028	Nozzle	Nozzle	High altitude
31	1	790031.	Carb.overhaul kit	Carb.overhaul kit	
32	1	691917	O-ring	O-ring	
33	1	697123	O-ring	O-ring	

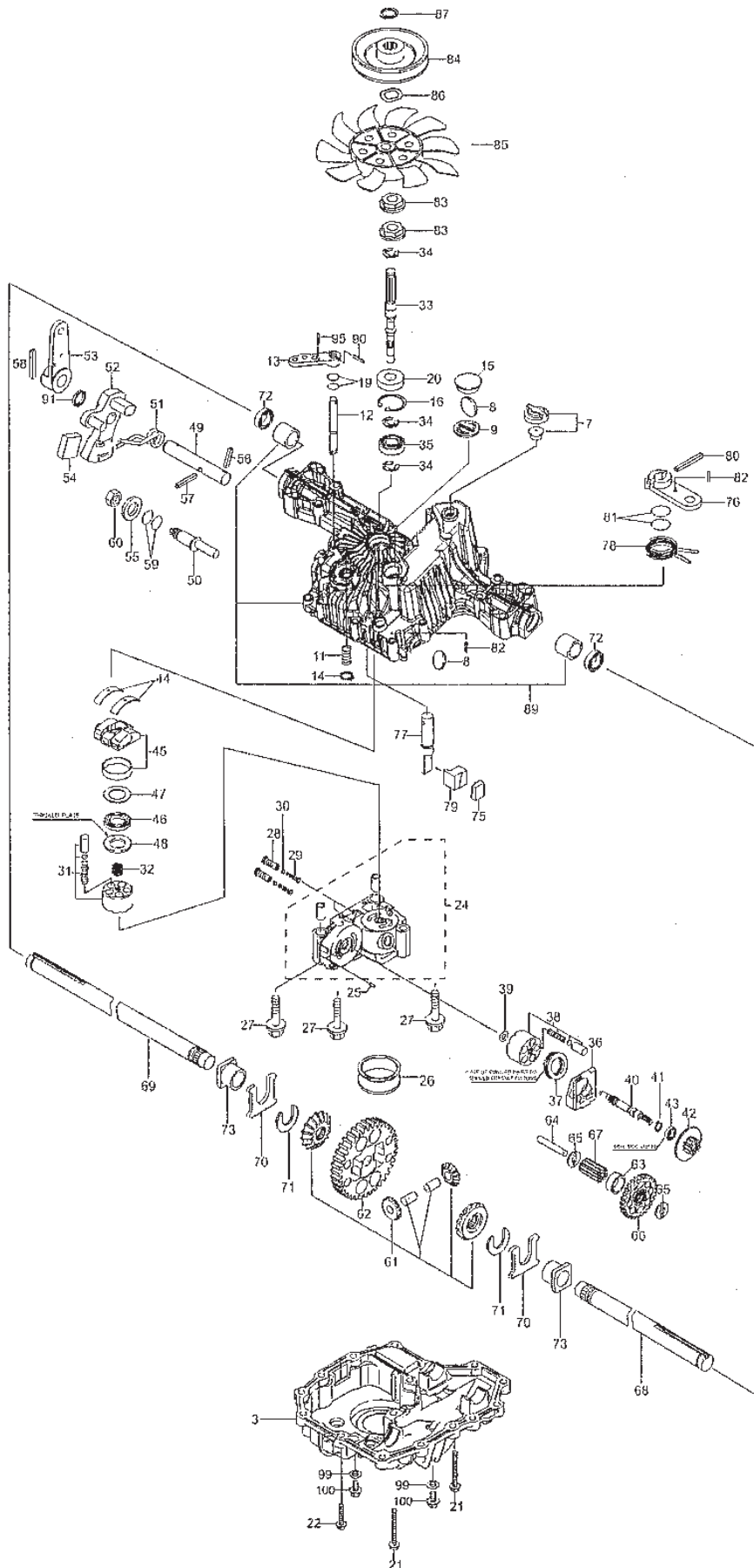


Utgåva Issue 20 - 2015		Kanzaki Transaxel K46Ag		Kanzaki Transaxle K46Ag	
Pos. Fig.	Antal Q.ty	Art nr Part No	Benämning	Description	Anmärkning Notes
3	1	1139-1321-01	Nedre Hus	Lower Housing	/K46 AG/
7	1	1139-0224-01	Vent valve assy	Vent valve assy	/K46 AG/
8	2	1139-1150-01	Magnet	Magnet	
9	1	1139-1341-01	Magnethallare	Magnet Holder	/K46 AG/
11	1	1139-1028-01	Fjäder	Spring	s/n 004000-008463/ K46 AG/
11	1	1139-1347-01	Fjäder	Spring	s/n 008465-/K46 AG/
12	1	1139-1251-01	Axel	By-Pass Shaft	/K46 AG/
12	1	1139-1324-01	Axel Bypass	Shaft Bypass	/K46 AG/
13	1	1139-1189-01	Arm	By-Pass Lever	/K46 AG/
14	1	1139-1161-01	Lasring	Ring	/K46 AG/
15	1	1139-1275-01	Plugg	Bore Plug	/K46 AG/
16	1	1139-1104-01	Lasring	Snap Ring	/K46 AG/
19	2	1139-1117-01	O-Ring	O-Ring	
20	1	1139-1119-01	Tätning	Seal 15*35*7	/K46 AG/
21	2	1139-1295-01	Skruv	Screw	
22	14	1139-0244-01	Skruv	Screw	
24	1	1139-1340-01	Centrumhus	Center Case	/K46 AG/
25	1	1139-1158-01	Stift	Pin	/K46 AG/
26	1	1139-1334-01	Filter	Filter	/K46 AG/
27	3	1139-1294-01	Bult	Bolt	
28	2	1139-1339-01	Ventil	Valve Ids	
29	2	1139-1338-01	Fjäder	Spring	
30	2	1139-1346-01	Kula	Ball	
31	1	1139-1159-01	Cylinderblock Kpl	Cylinder Block Cmp	/K46 AG/
31	1	1139-1356-01	Cylinderblock Kpl	Cylinder Block Kit	/K46 AG/
32	1	1139-1245-01	Fjäder	Pump Spring	/K46 AG/
33	1	1139-1246-01	Pumpaxel	Pump Shaft	/K46 AG/
34	3	1139-1146-01	Lasring	Ring	
35	1	1139-1110-01	Kullager	Ball Bearing	/K46 AG/
36	1	1139-1157-01	Hus	Housing	/K46 AG/
37	1	1139-1054-01	Lager	Bearing	/K46 AG/
38	1	1139-1139-01	Cylinderblock Kpl	Cylinder Block Assy	/K46 AG/
39	1	1139-1160-01	Bricka	Washer	/K46 AG/
40	1	1139-1247-01	Motoraxel	Motor Shaft	s/n 004000-008463/ K46 AG/
40	1	1139-1353-01	Motoraxel	Motor Shaft	s/n 008465-/K46 AG/
41	1	1139-1021-01	Lasring	Snap Ring	/K46 AG/
42	1	1139-1272-01	Motordrev	Motor Gear	/K46 AG/
43	1	1139-1286-01	Kullager	Ball Bearing	/K46 AG/
44	2	1139-1066-01	Tryckplatta	Use 1139-1141-01	
45	1	1139-1067-01	Stänklatta Kpl	Swash Plate Assy	s/n -013937/K46 AG/
45	1	1139-1359-01	Stänklatta	Swash Plate	s/n 013938-/K46 AG/
46	1	1139-1068-01	Lager	Bearing	s/n -013937/K46 AG/
46	1	1139-1362-01	Lager	Bearing	s/n 013938-/K46 AG/
47	1	1139-1070-01	Tryckplatta	Thrust Plate	s/n -013937/K46 AG/
48	1	1139-1069-01	Tryckplatta	Thrust Plate	s/n -013937/K46 AG/
49	1	1139-1315-01	Regleraxel	Control Shaft	s/n 004000-006773/ K46 AG/

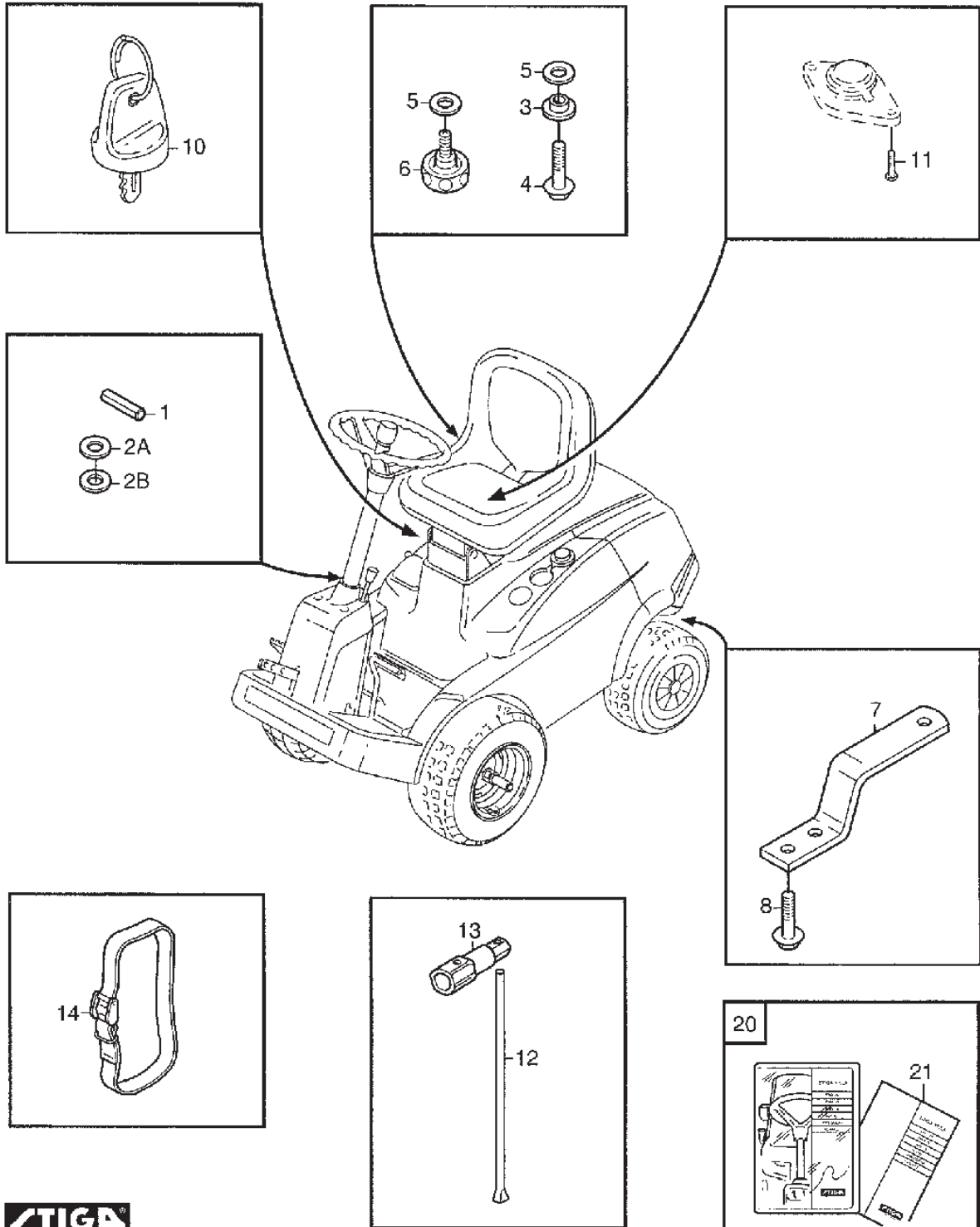




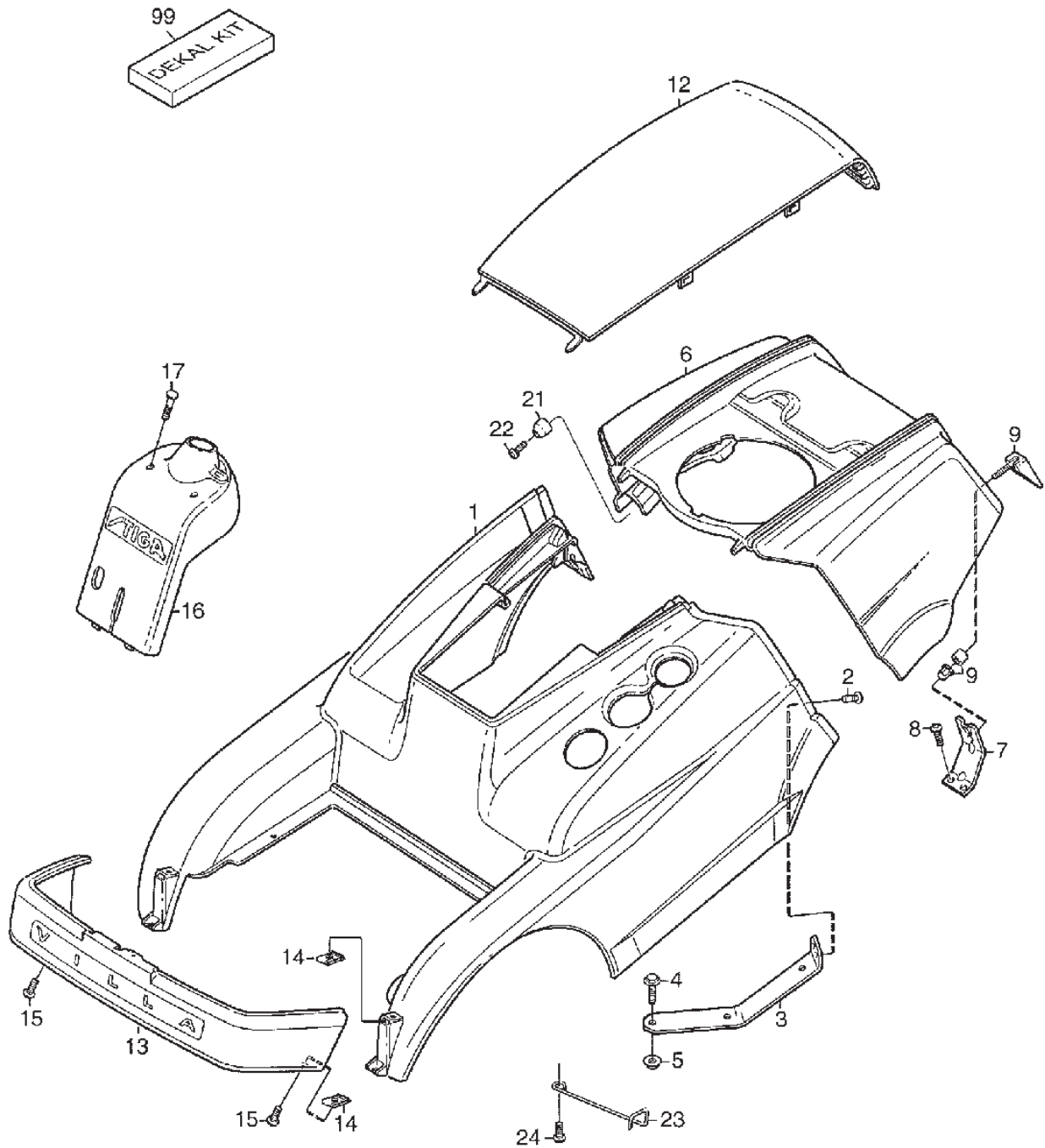
Utgåva Issue 20 - 2015		Kanzaki Transaxel K46Ag		Kanzaki Transaxle K46Ag	
Pos. Fig.	Antal Q.ty	Art nr Part No	Benämning	Description	Anmärkning Notes
49	1	1139-1354-01	Regleraxel	Control Shaft	s/n 006774-/K46 AG/
50	1	1139-1190-01	Vridcentrum	Fulcrum (Eccentricity)	s/n -003999/K46 AG/
50	1	1139-1316-01	Vridcentrum	Fulcrum Eccentricity	s/n 004000-/K46 AG/
51	1	1139-1312-01	Vridfjäder	Torsion Spring	/K46 AG/
52	1	1139-1314-01	Reglerarm	Control Arm	/K46 AG/
53	1	1139-1325-01	Reglerarm	Control Lever	/K46 AG/
54	1	1139-1250-01	Ryckplatta	Jerky Plate	/K46 AG/
55	1	1139-1102-01	Bricka	Washer	/K46 AG/
56	1	1139-1327-01	Stift	Pin	s/n 004000-006773/ K46 AG/
56	1	1139-1355-01	LasSprint	Cotter Pin	s/n 006774-/K46 AG/
57	1	1139-1329-01	Stift	Pin	/K46 AG/
58	1	1139-1285-01	Stift	Pin	/K46 AG/
59	2	1139-1115-01	O-Ring	O-Ring	
60	1	1139-1127-01	Mutter	Nut	/K46 AG/
61	1	1139-1162-01	Differentialdrev Kpl	Diff.Gear Kit	/K46 AG/
62	1	1139-1258-01	Slutdrev	Final Gear	/K46 AG/
63	1	1139-1255-01	Hylsa	Collar	/K46 AG/
64	1	1139-1256-01	reduktionsaxel	Reduction Shaft	/K46 AG/
65	2	1139-1257-01	Bricka	Washer	
66	1	1139-1267-01	Reduktionsdrev	Reduction Gear	/K46 AG/
67	1	1139-1259-01	Slutdrev	Final Pinion	s/n -013064/K46 AG/
67	1	1139-1361-01	Slutdrev	Final Pinion Gear	s/n 013065-/K46 AG/
68	1	1139-1269-01	Hjulaxel Vä	Axle Shaft Left	s/n 000001-003999/ K46 AG/
68	1	1139-1342-01	Hjulaxel-Vä	Axle Shaft-L	s/n 004000-/K46 AG/
69	1	1139-1270-01	Hjulaxel Hö	Axle Shaft Right	/K46 AG/
69	1	1139-1343-01	Hjulaxel-Hö	Axle Shaft-R	/K46 AG/
70	2	1139-1078-01	Bricka	Thrust Washer	
71	2	1139-1163-01	Lasring	Ring	
72	2	1139-1080-01	Tätning	Seal 19*32*8	
73	2	1139-1164-01	Bussning	Bushing	
75	1	1139-1260-01	Bromssko	Brake Shoe	/K46 AG/
76	1	1139-1261-01	Bromsarm	Brake Arm	/K46 AG/
77	1	1139-1320-01	Bromsaxel	Brake Shaft	/K46 AG/
78	1	1139-1263-01	Returfjäder	Return Spring	/K46 AG/
79	1	1139-1264-01	Tryckplatta	Brake Actuator	/K46 AG/
80	1	1139-1282-01	Stift	Pin	/K46 AG/
81	2	1139-1114-01	O-Ring	O-Ring	
82	2	1139-1281-01	Stift	Pin	
83	2	1139-1248-01	Krage	Spline Collar	
84	1	1139-1309-01	Remskiva	Pulley	/K46 AG/
85	1	1134-4190-01	Fläkt	Fan	/K46 AG/
86	1	1139-1266-01	Bricka	Washer	/K46 AG/
87	1	1139-1149-01	Lasring	Snap Ring	/K46 AG/
89	1	1139-1351-01	Övre Hus	Upper Case Kit	/K46 AG/
90	1	1139-1280-01	Stift	Pin	/K46 AG/
91	1	1139-1303-01	Tätning	Seal Ring	/K46 AG/
95	1	1139-1279-01	Stift	Pin	/K46 AG/



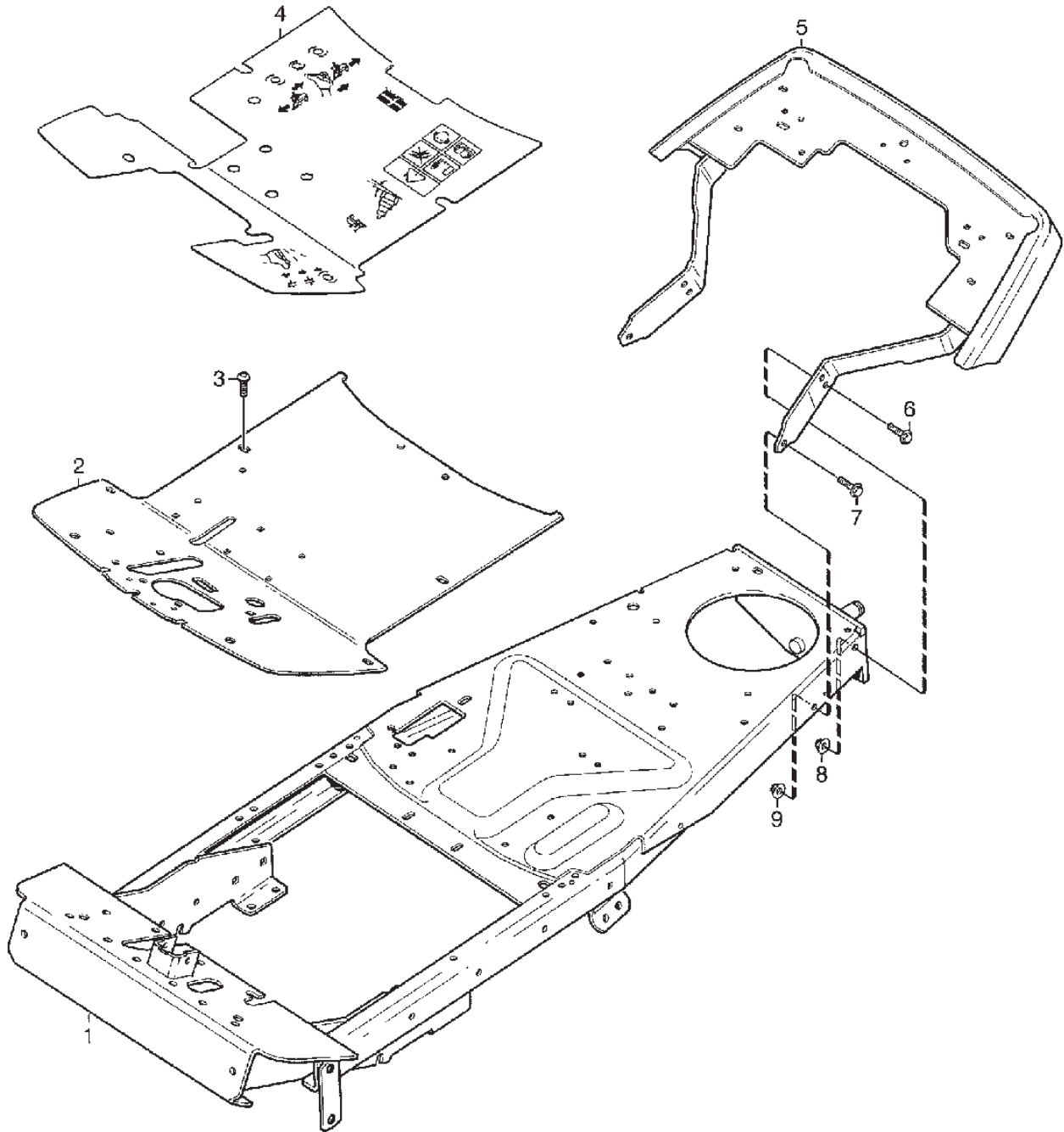
Utgåva Issue 20 - 2015		Kanzaki Transaxel K46Ag		Kanzaki Transaxle K46Ag	
Pos. Fig.	Antal Q.ty	Art nr Part No	Benämning	Description	Anmärkning Notes
99	2	1139-1103-01	Bricka	Washer	
100	2	1139-1123-01	Bult	Bolt	



Utgåva Issue 20 - 2015		Monteringdetaljer		Accessory Bag	
Pos. Fig.	Antal Q.ty	Art nr Part No	Benämning	Description	Anmärkning Notes
0	1	1134-4664-05	Tillbehörspåse	Accessory Bag	
1	1	9595-0262-00	Spännstift	Locating Pin	
2	1	9699-0103-02	Bricka	Washer	0.5 mm
2	1	9699-0114-02	Bricka	Washer	1.0 mm
3	2	1134-4185-01	Ansatsbricka	Flange Washer	
4	2	9959-0820-16	Skruv	Screw	
5	4	9699-0056-02	Bricka	Washer	
6	2	1134-2609-01	Lasratt	Locking Knob	
7	1	1134-4627-01	Dragkrok	Tow Bar	
8	2	9959-0820-16	Skruv	Screw	
10	1	1134-4734-01	Tändningsnyckel	Ignition Key	
11	2	9837-8914-12	Skruv	Screw	
12	1	1111-2113-01	Stang	Rod	
13	1	1134-2960-02	Nyckel för tändningslas	Spark Plug Wrench	5/8" (16 mm)
13	1	1134-4541-01	Nyckel för tändningslas	Spark Plug Wrench	5/8" (16 mm)/21 mm
14	1	1134-5245-01	Batterirem	Battery Strap	
20	1	1134-3771-66	Förp Instr.Bok (Villa)	Folder W Manuals (Villa)	
21	1	8211-0209-11	Säkerh. Föreskrifter Front Mowers	Safety Regulations Front Mowers	
21	1	8211-0288-05	Bruksanvisning	Owner's Manual	
21	1	8211-0289-03	Servicebok Villa	Service Book Villa	
21	1	8211-0290-05	Monteringsanvisning	Assy Instruction Villa	
21	1	8211-2002-03	Garantikort Rider	Warranty Card	

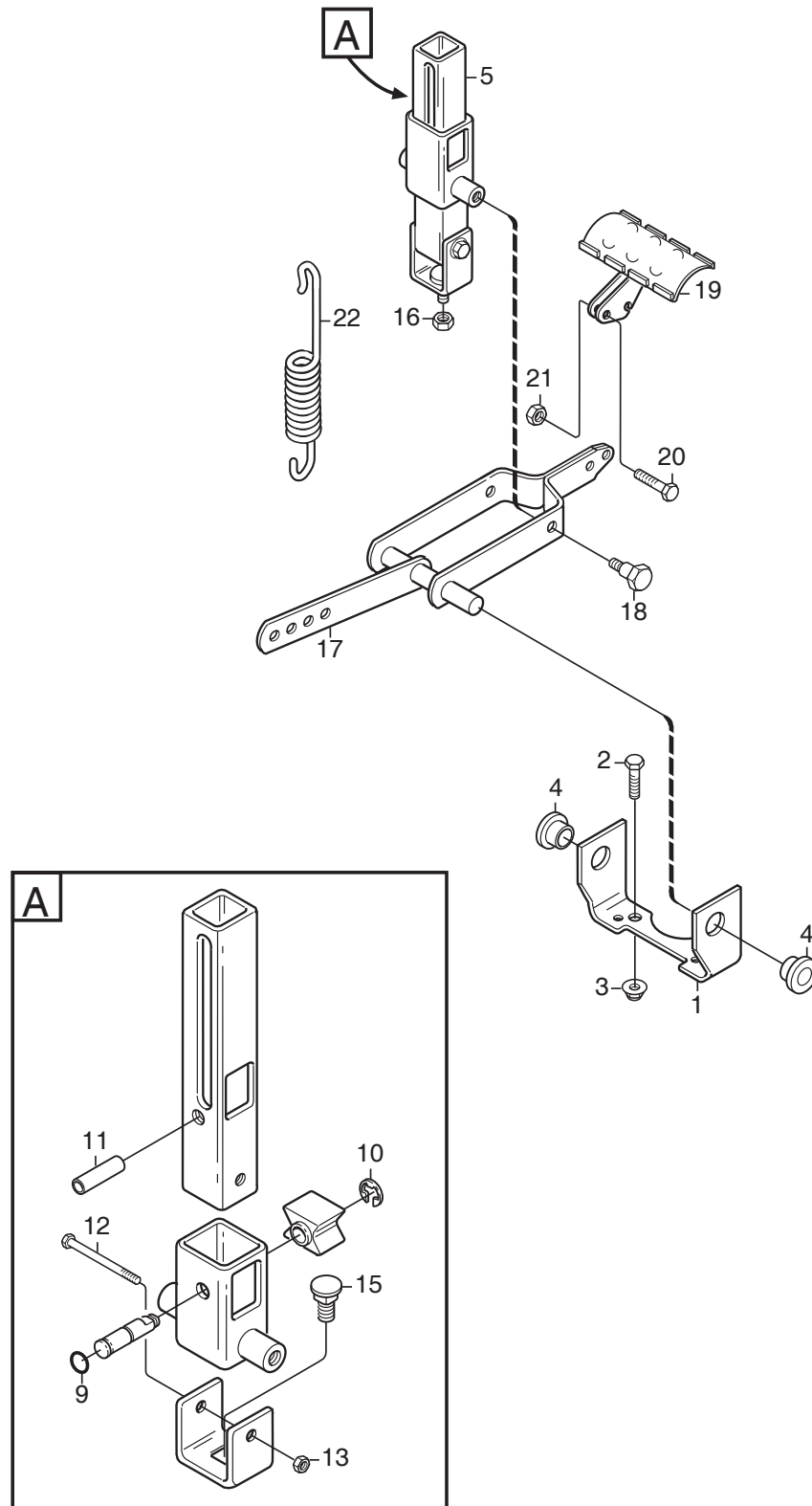


Utgåva Issue 20 - 2015		Kaross Body Work			
Pos. Fig.	Antal Q.ty	Art nr Part No	Benämning	Description	Anmärkning Notes
1	1	1134-5067-01	Motorlucka Gul	Engine Hood Yellow	
2	2	9893-0616-16	Skruv	Screw	
3	2	1134-4444-01	Stag 5-01 F15	Stay	
4	4	9959-0820-16	Skruv	Screw	
5	4	9739-0831-22	Mutter	Nut	
6	1	1134-4787-01	Huv-Bakdel	Engine Hooh-Rear Part	
7	2	1134-5381-01	Huvinfästning-Bakre	Hood Attachment-Rear	
8	4	9893-0616-16	Skruv	Screw	
9	2	1134-4904-01	Huvlas Kpl	Hood Lock Kit	
12	1	1134-4789-01	Lucka (Gra)	Engine Cover (Grey)	
13	1	1134-3944-03	Stötfångare	Bumper	
14	4	1134-4176-01	Clips	Clips	
15	6	9893-0616-16	Skruv	Screw	
16	1	1134-4592-01	Frontkonsol(Kurz 601)	Front Plate	
17	2	9946-0525-16	Skruv	Screw	
21	2	1134-4790-02	Styrning	Hood Guide (Black)	
22	2	9838-9530-12	Skruv	Screw	
23	2	1134-5078-01	Stag	Stay	
24	2	9893-0616-16	Skruv	Screw	
99	1	1134-5244-03	Dekalsats	Label Kit	President
99	1	1134-5244-06	Dekal	Label	Comfort
99	1	1134-5244-07	Dekalsats	Label Kit	Elite



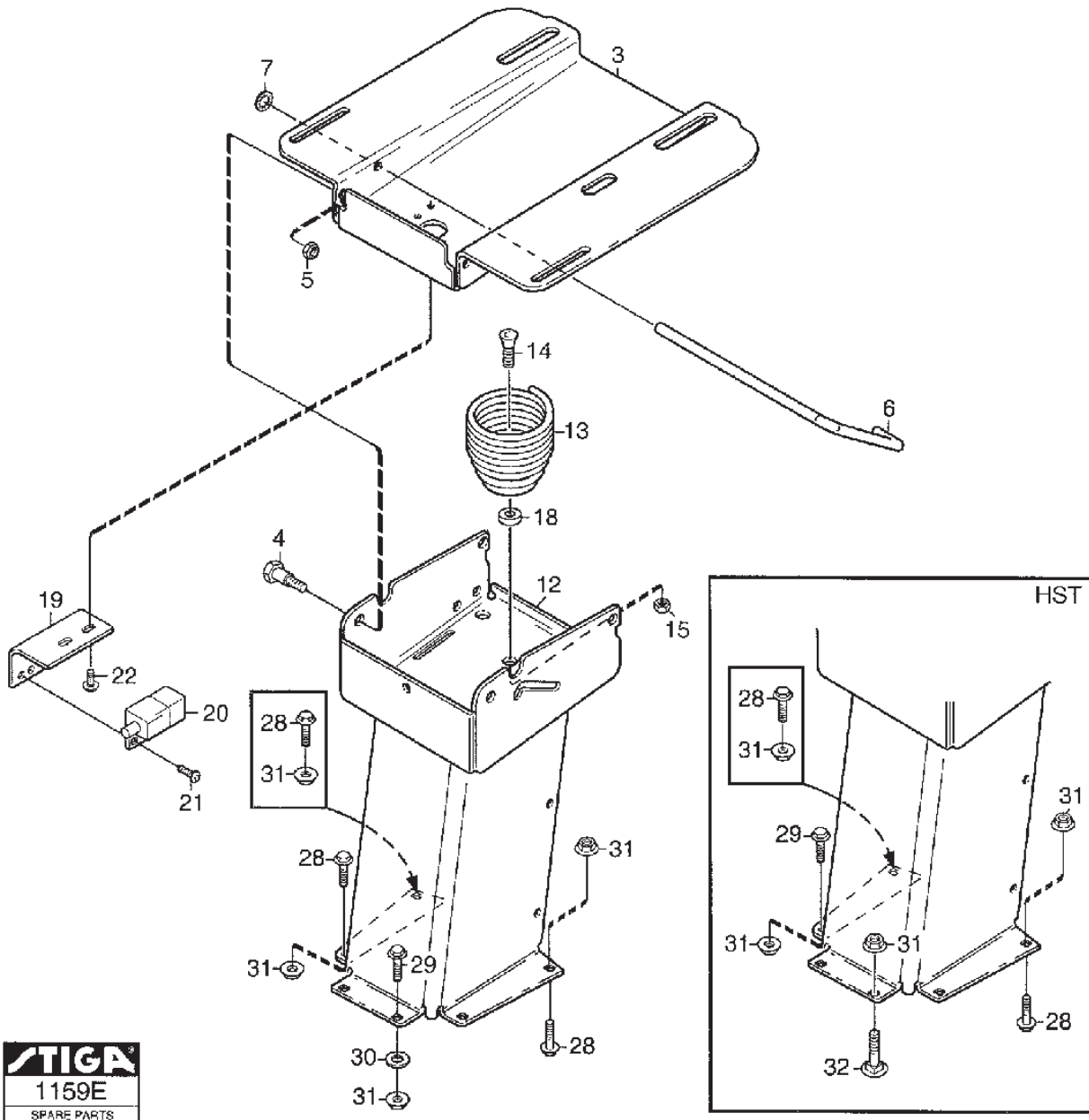
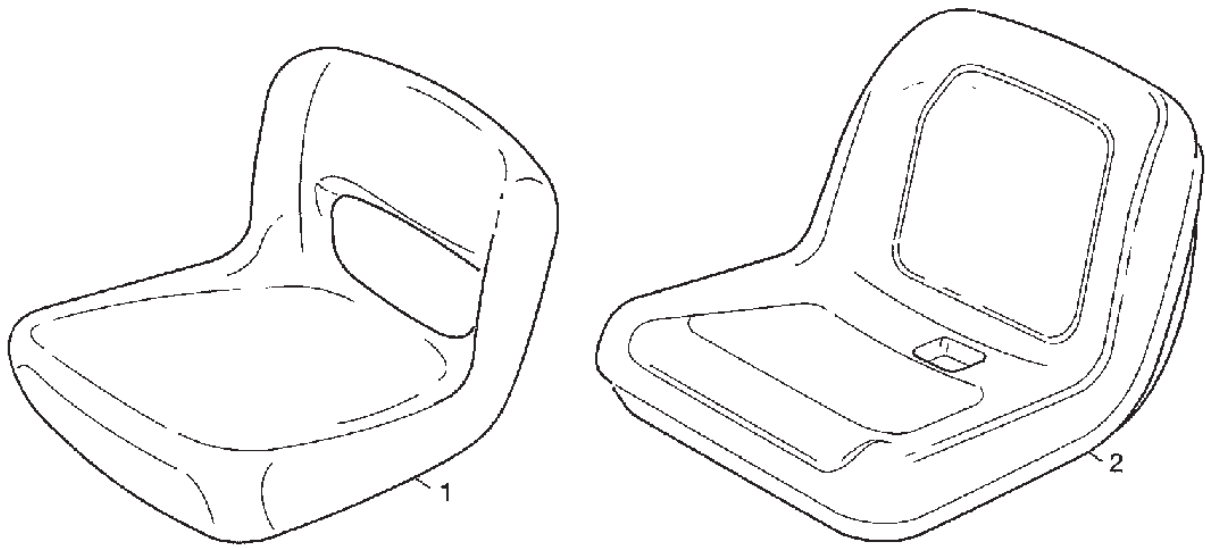


Utgåva Issue 20 - 2015		Ram Frame			
Pos. Fig.	Antal Q.ty	Art nr Part No	Benämning	Description	Anmärkning Notes
1	1	1134-5546-01	Ram Kpl (Gul) 1-00 L01D	Frame Assy (Yellow)	
1	1	1134-5546-02	Ram	Frame Assy	
2	1	1134-5293-01	Durk (Gra) 7-14	Floor Plate (Grey)	
3	2	9893-0616-16	Skruv	Screw	
4	1	1134-5339-01	Durkmatta-Hst	Floor Mat-Hst	
5	1	1134-5382-01	Stötfangare, Gra	Bumper, Grey	
6	2	9959-0820-16	Skruv	Screw	
7	2	9959-0825-16	Skruv	Screw	
8	3	9739-0831-22	Mutter	Nut	
9	1	9739-0831-22	Mutter	Nut	

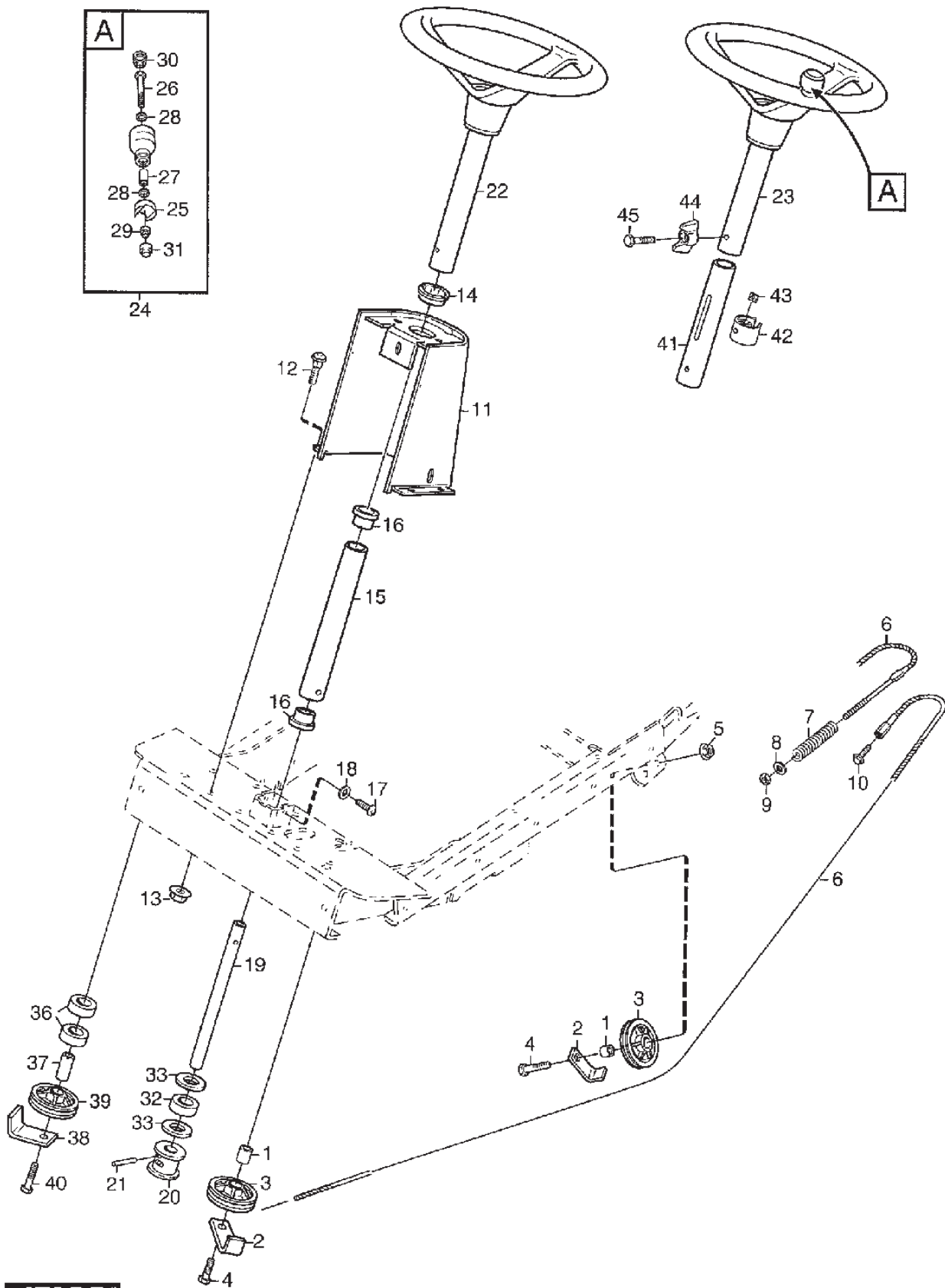


1151C

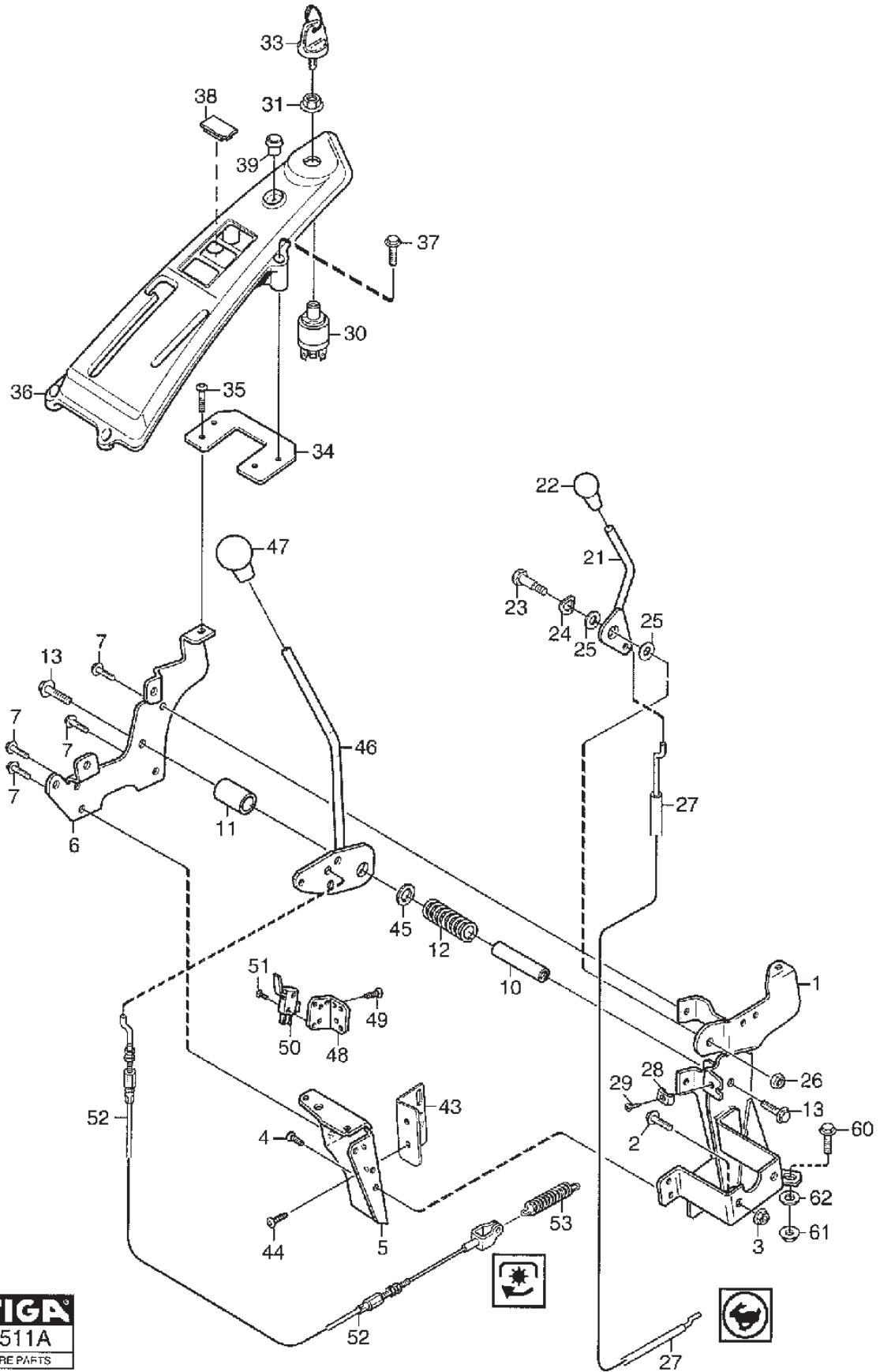
Utgåva Issue 20 - 2015		Pedallyft Pedal lift			
Pos. Fig.	Antal Q.ty	Art nr Part No	Benämning	Description	Anmärkning Notes
1	1	1134-4117-01	Fäste	Bracket	
2	2	9959-1025-16	Skruv	Screw	L = 40 mm
2	2	9997-1040-16	Skruv	Screw	L = 40 mm
3	2	9739-1031-22	Mutter	Nut	
4	2	1134-2684-01	Lager	Bearing	
5	1	1134-4945-01	Lyftspärr kpl	Lift Catch Assy	
9	1	9404-0027-01	O-ring	O-ring	
10	1	9650-0039-04	Sparring Sga 8	Lock Ring	
11	1	9595-0276-01	Spiralspännstift 8*24	Locating Pin	
12	1	9997-0640-12	Skruv	Screw	
13	1	9747-0631-02	Mutter	Nut	
15	1	9897-0820-16	Skruv	Screw	
16	1	9747-0831-02	Mutter	Nut	
17	1	1134-4860-01	Lyftgaffel	Lift Fork	
18	2	1134-0240-00	Skruv	Screw	
19	1	1134-4938-01	Lyftpedal	Lift Pedal	
20	2	9997-0625-16	Skruv	Screw	
21	2	9739-0631-22	Mutter	Nut	
22	1	4231-0013-00	Fjäder	Spring	



Utgåva Issue 20 - 2015		Sits Seat			
Pos. Fig.	Antal Q.ty	Art nr Part No	Benämning	Description	Anmärkning Notes
2	1	1134-4223-01	Sits Xb 150	Seat	
3	1	1134-4628-05	Överdel (Svart) 5-01	Seat Plate (Black)	
4	2	1134-0240-00	Skruv	Screw	
5	2	9747-0831-02	Mutter	Nut	
6	1	1134-5179-01	Spärr	Catch	Ø = 8 mm
7	1	9675-0012-02	Starlock	Locking washer	
12	1	1134-4211-02	Sitskonsol 5-01 L02	Seat Bracket	
13	1	1134-4256-01	Fjäder	Spring	
14	1	9924-1235-19	Skruv	Screw	
15	1	9747-1231-02	Mutter	Nut	
18	1	1134-5032-01	Distans	Spacer	
21	2	9852-8013-16	Skruv	Screw	
22	2	9893-0616-16	Skruv	Screw	
28	3	9959-0820-16	Skruv	Screw	L = 20 mm
29	2	9959-0825-16	Skruv	Screw	L = 25 mm
31	6	9739-0831-22	Mutter	Nut	
32	2	9897-0820-16	Skruv	Screw	
2	1	1134-4223-01	Sits Xb 150	Seat	

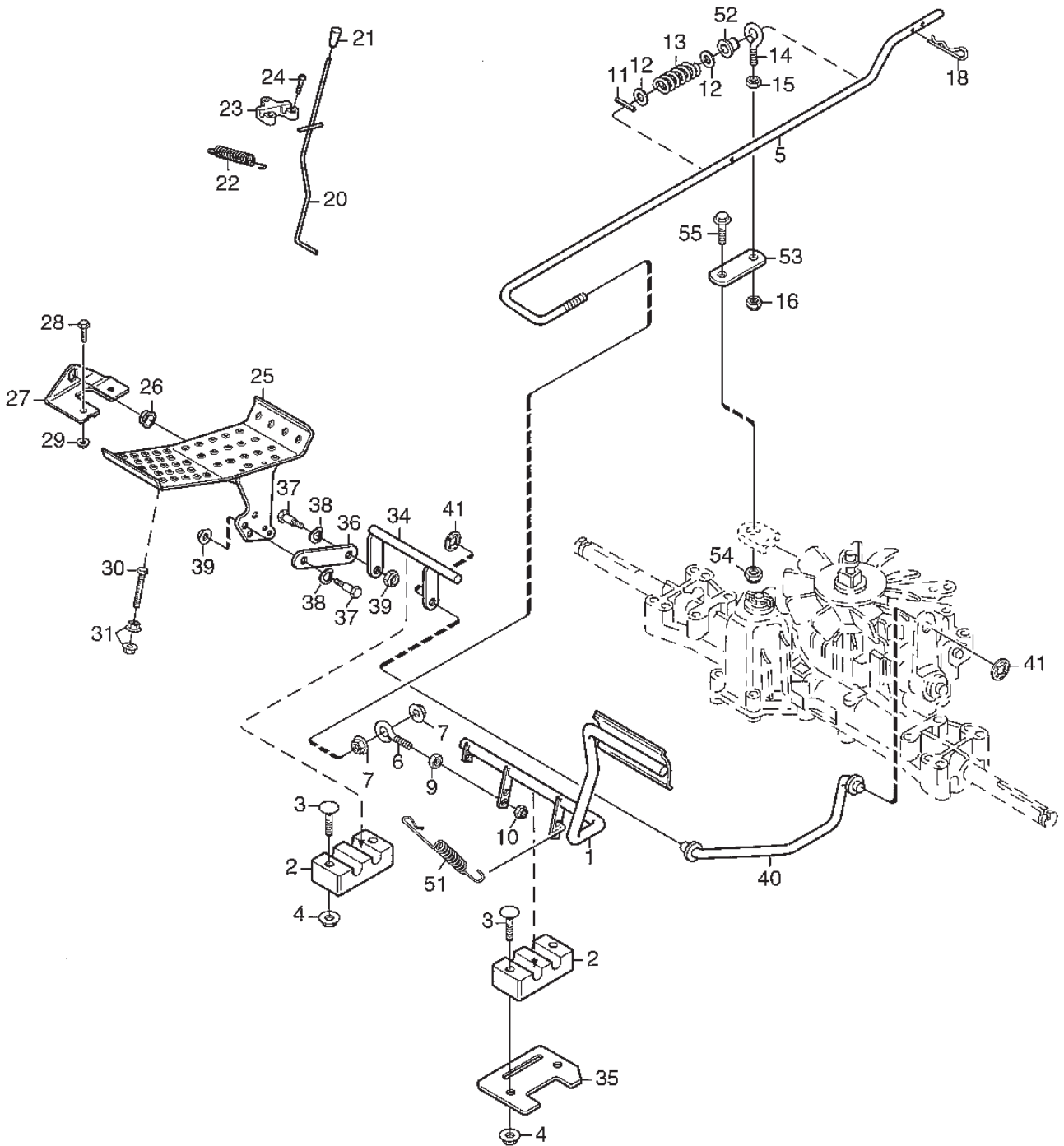


Utgåva Issue 20 - 2015		Styrning		Steering	
Pos. Fig.	Antal Q.ty	Art nr Part No	Benämning	Description	Anmärkning Notes
1	3	1134-0041-01	Bussning	Bushing	
2	3	1134-3022-01	Fäste	Bracket	
3	1	1134-9025-01	Linhjul	Steering Pulley	Sats 2 st/kit of 2
4	3	9997-1040-16	Skruv	Screw	L = 40 mm
5	2	9739-1031-22	Mutter	Nut	
6	1	1134-9083-01	Styrwire	Steering Wire	
7	1	1134-1310-01	Fjäder	Spring	
8	1	9699-0056-02	Bricka	Washer	
9	1	9747-0831-02	Mutter	Nut	
10	1	9959-0820-16	Skruv	Screw	
11	1	1134-4120-04	Styrkonsol Kpl. 7-14 L02	Steering Console	
12	4	9897-0820-16	Skruv	Screw	
13	4	9739-0831-22	Mutter	Nut	
14	1	1134-4483-01	Bussning	Bushing	
15	1	1134-1305-03	Rattrör Nedre	Steering Column, Lower	
16	2	1134-1901-01	Lager	Bearing	
17	2	9893-0616-16	Skruv	Screw	
18	2	9699-0060-02	Bricka	Washer	
19	1	1134-4431-01	Rattstang	Steering Rod	
20	1	1134-1933-01	Linhjul	Steering Pulley	
21	1	9595-0262-00	Spännstift	Locating Pin	
23	1	1134-5173-02	Ratt Kpl	Steering Wheel	
24	1	1134-3769-01	Styrknopp Kpl Service	Steering Wheel Button Kit	
25	1	1134-3752-01	Knoppfäste	Knob Holder	
26	1	9997-0865-12	Skruv	Screw	
27	1	1134-1565-06	Distans	Spacer	
28	2	9699-0090-02	Bricka   Bricka	Washer   Washer	
29	1	9747-0831-02	Mutter	Nut	
30	1	9403-0043-70	Plugg	Plug	
31	1	9403-0113-00	Ringmutter	Ring Nut	
32	1	1134-3047-01	Distans	Spacer	
33	2	9699-0104-02	Bricka	Washer	
36	2	1134-3047-01	Distans	Spacer	
37	1	1134-0041-05	Bussning	Bushing	
38	1	1134-3022-01	Fäste	Bracket	
39	1	1134-9025-01	Linhjul	Steering Pulley	Sats 2 st/kit of 2
40	1	9997-1060-12	Skruv	Screw	L = 60 mm
41	1	1134-5216-01	Rattrör-Inre Kpl	Steering Tube-Inner Assy	
42	1	1134-5177-01	Slid	Slide	
43	1	9710-0631-12	Lasmutter	Nut	
44	1	1134-4481-02	Vingmutter	Wing Nut	
45	1	9997-0630-12	Skruv	Screw	

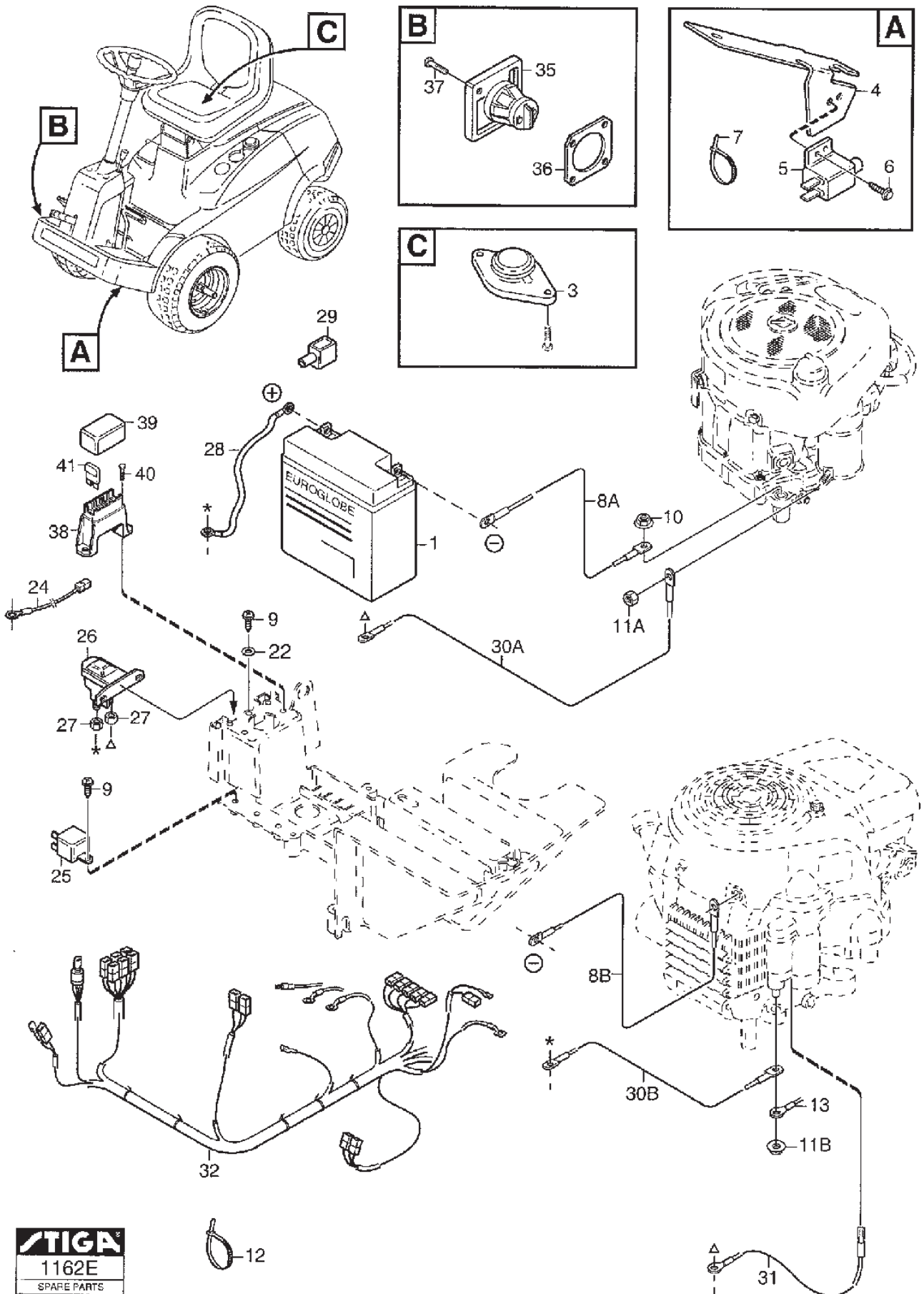




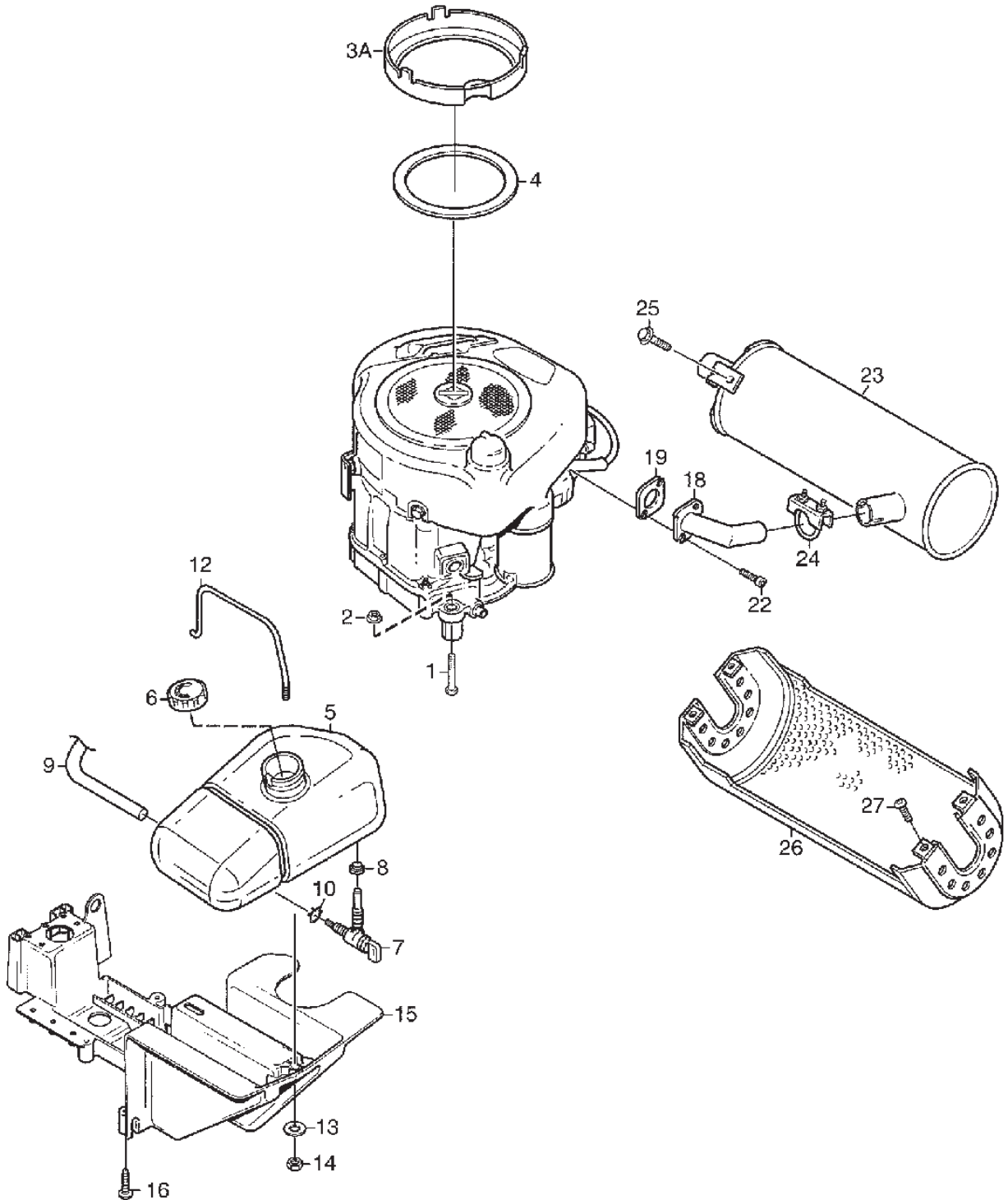
Utgåva Issue 20 - 2015		Comfort Handreglage		Comfort Hand Controls	
Pos. Fig.	Antal Q.ty	Art nr Part No	Benämning	Description	Anmärkning Notes
1	1	1134-5077-01	Konsol (Svart) 5-01 F15	Panel Bracket (Balck)	
2	2	9959-0820-16	Skruv	Screw	
3	2	9739-0831-22	Mutter	Nut	
4	2	9893-0616-16	Skruv	Screw	
5	1	1134-4487-02	Frontfäste 5-01 H14	Panel Bracket-Front	
6	1	1134-3986-01	Frontplat	Frontplate	
7	4	9893-0616-16	Skruv	Screw	
10	1	1134-4065-01	Reglageaxel	Control Shaft	
11	1	1134-4080-03	Reglagehylsa	Control Sleeve	
12	1	1134-4079-01	Fjäder	Spring	
13	2	9959-0820-16	Skruv	Screw	
21	1	1134-4590-01	Gasreglage	Throttle Cable	
22	1	1134-4078-01	Knopp	Knob	
23	1	1134-0240-00	Skruv	Screw	
24	1	9694-0001-00	Bricka	Washer	
25	2	1134-4242-01	Distansbricka	Washer	
26	1	9747-0831-02	Mutter	Nut	
27	1	1134-1597-11	Gasreglage	Throttle Cable	
28	1	9500-9991-00	Kabelklämma	Wire Clamp	
29	1	9943-0516-16	Skruv	Screw	
30	1	1134-4093-01	Tändningslas	Ignition Switch	
31	1	1134-4749-01	Mutter	Nut	
33	1	1134-4734-01	Tändningsnyckel	Ignition Key	
34	1	1134-4472-01	Fästplatta	Attachment Plate	
35	2	9943-0516-16	Skruv	Screw	
36	1	1134-4470-02	Reglagepanel	Dashboard	
37	4	9943-0516-16	Skruv	Screw	
38	3	1134-4129-01	Täckbricka	Cover	
39	1	1134-4100-01	Täckpropp	Plug	
43	1	1134-4950-02	Vinkelfäste	Angle Bracket	
44	2	9893-0616-16	Skruv	Screw	
45	1	9695-0011-00	Bricka	Washer	
46	1	1134-5061-01	Aggregatsspak	Control Lever	
47	1	1134-2551-01	Knopp	Knob	
48	1	1134-5358-01	Brytarfäste	Switch Bracket	
49	2	9849-8013-16	Skruv	Screw	
49	2	9852-8013-16	Skruv	Screw	
50	1	9400-0285-01	Brytare	Switch	
51	2	9840-7716-16	Skruv	Screw	
52	1	1134-3573-04	Kraftuttagwire	Cable	
53	1	1134-1242-02	Fjäder	Spring	
60	1	9959-0820-16	Skruv	Screw	
61	1	9739-0831-22	Mutter	Nut	
62	1	9699-0056-02	Bricka	Washer	



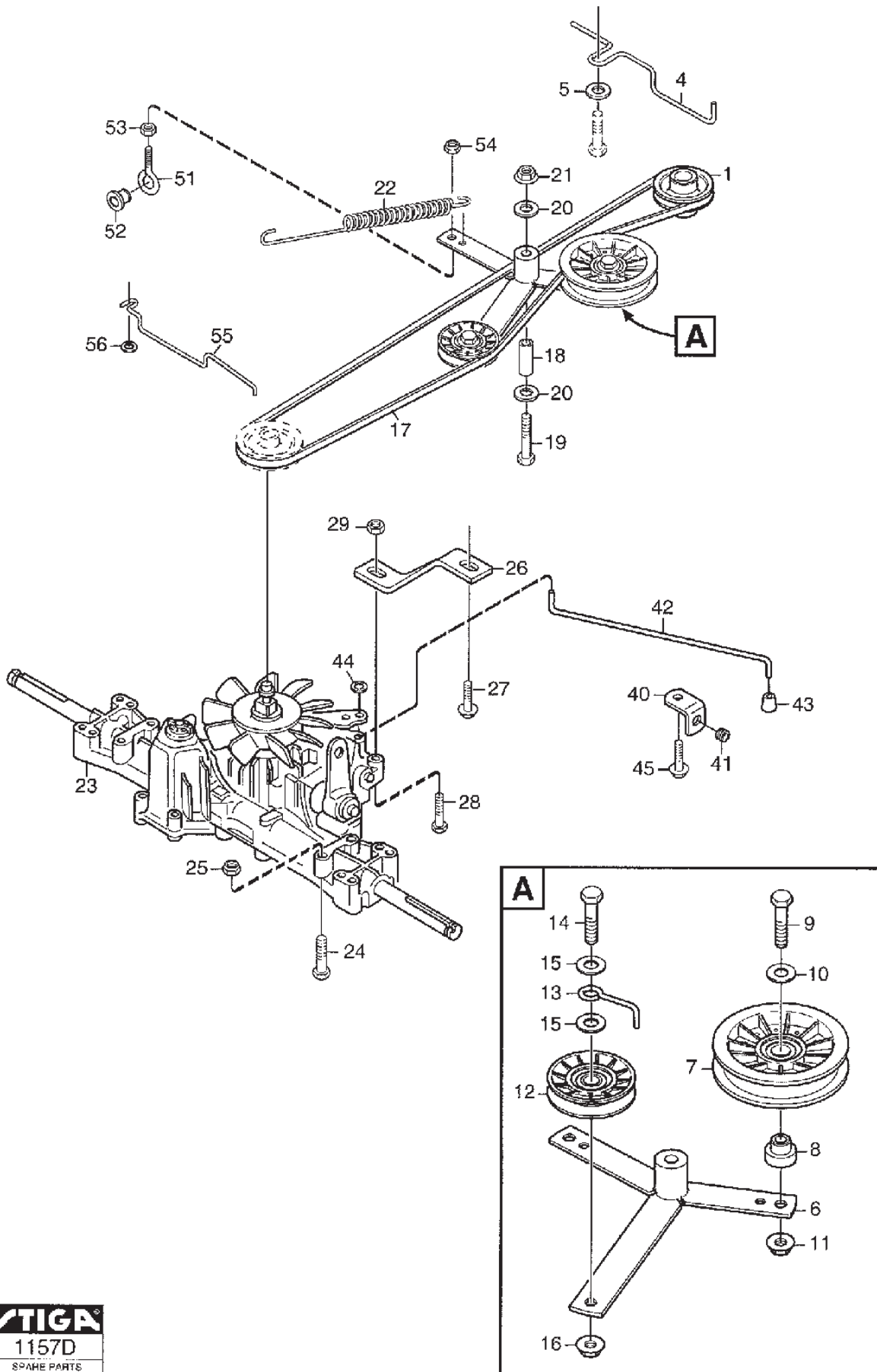
Utgåva Issue 20 - 2015		Fotreglage		Foot Controls	
Pos. Fig.	Antal Q.ty	Art nr Part No	Benämning	Description	Anmärkning Notes
2	2	1134-4624-01	Lager	Bearing	
3	4	9898-0635-12	Skruv	Screw	
4	4	9739-0631-22	Mutter	Nut	
5	1	1134-4949-01	Kopplingsstang	Clutch Rod	
6	1	1134-2138-01	Skruvögla	Eye Bolt	
7	2	9739-1031-22	Mutter	Nut	
9	1	9739-0831-22	Mutter	Nut	
10	1	9747-0831-02	Mutter	Nut	
11	1	9595-0208-00	Spiralspnst Prym N4X20	Locating Pin	
12	2	9699-0035-02	Bricka	Washer	
13	1	1134-4617-01	Fjäder	Spring	
14	1	1134-2138-01	Skruvögla	Eye Bolt	
15	1	9739-0831-22	Mutter	Nut	
16	1	9747-0831-02	Mutter	Nut	
18	1	9598-0002-02	Spännstift	Elastic Pin	
20	1	1134-5101-01	Bromsstang	Brake Rod	
21	1	1134-3808-01	Knopp	Knob	
22	1	1131-1497-01	Fjäder	Brake Spring	
23	1	1134-4002-01	Fäste	Brake Rod Attachment	
24	3	9838-9516-12	Skruv	Screw	
25	1	1134-4008-01	Drivpedal	Drive Pedal	
25	1	1134-4008-03	Drivpedal	Drive Pedal	
26	2	1134-2780-01	Lager	Bearing	
27	2	1134-2700-01	Fäste	Bracket	
28	2	9959-0820-16	Skruv	Screw	
29	2	9739-0831-22	Mutter	Nut	
30	1	9997-0870-16	Skruv	Screw	
31	2	9739-0831-22	Mutter	Nut	
34	1	1134-4440-01	Axel	Shaft	
35	1	1134-4793-01	Stopplat	Stop Plate	
36	1	1134-4441-01	Stag	Link	
37	2	1134-0240-00	Skruv	Screw	
38	2	9694-0001-00	Bricka	Washer	
39	2	9747-0831-02	Mutter	Nut	
40	1	1134-5288-01	Reglagestang	Control Rod	
41	2	9675-0012-02	Starlock	Locking washer	
51	1	4231-0013-00	Fjäder	Spring	
52	1	1134-4779-01	Bussning	Bushing	
53	1	1134-4972-01	Bromslänk	Brake Link	
54	1	9747-0831-02	Mutter	Nut	
55	1	9959-0820-16	Skruv	Screw	
1	1	1134-4802-01	Pedal5-01 F15	Pedal	



Utgåva Issue 20 - 2015		Elutrustning El. Equipment			
Pos. Fig.	Antal Q.ty	Art nr Part No	Benämning	Description	Anmärkning Notes
4	1	1134-4610-01	Fäste	Switch Bracket	
5	1	1134-3399-02	Brytare	Switch	
6	2	9852-8013-16	Skruv	Screw	
7	3	9579-0003-00	Buntband	Cable Holder	
8	1	1134-2042-02	Batterikabel	Battery Cable	L = 350 mm
9	1	9838-9516-12	Skruv	Screw	
10	1	9747-0831-02	Mutter	Nut	
11	1	9795-3531-02	Mutter	Nut	1/4 UNC
12	3	9579-0003-00	Buntband	Cable Holder	
22	1	9699-0060-02	Bricka	Washer	
26	1	1134-2962-01	Solenoid Kpl Service	Solenoid	
27	2	9794-5131-02	Mutter	Nut	
28	1	1134-4702-01	Kabel (+)	Cable (+)	L = 380 mm
29	1	1134-2310-01	Batteriskydd	Guard Cap (+)	
30	1	1134-4702-02	Kabel (+)	Cable	L = 480 (6 mm - 8 mm)
32	1	1134-5318-01	Kabelhärva	Wiring harness	
32	1	1134-6093-01	Kablage (Villa)	Wire Harness (Villa)	

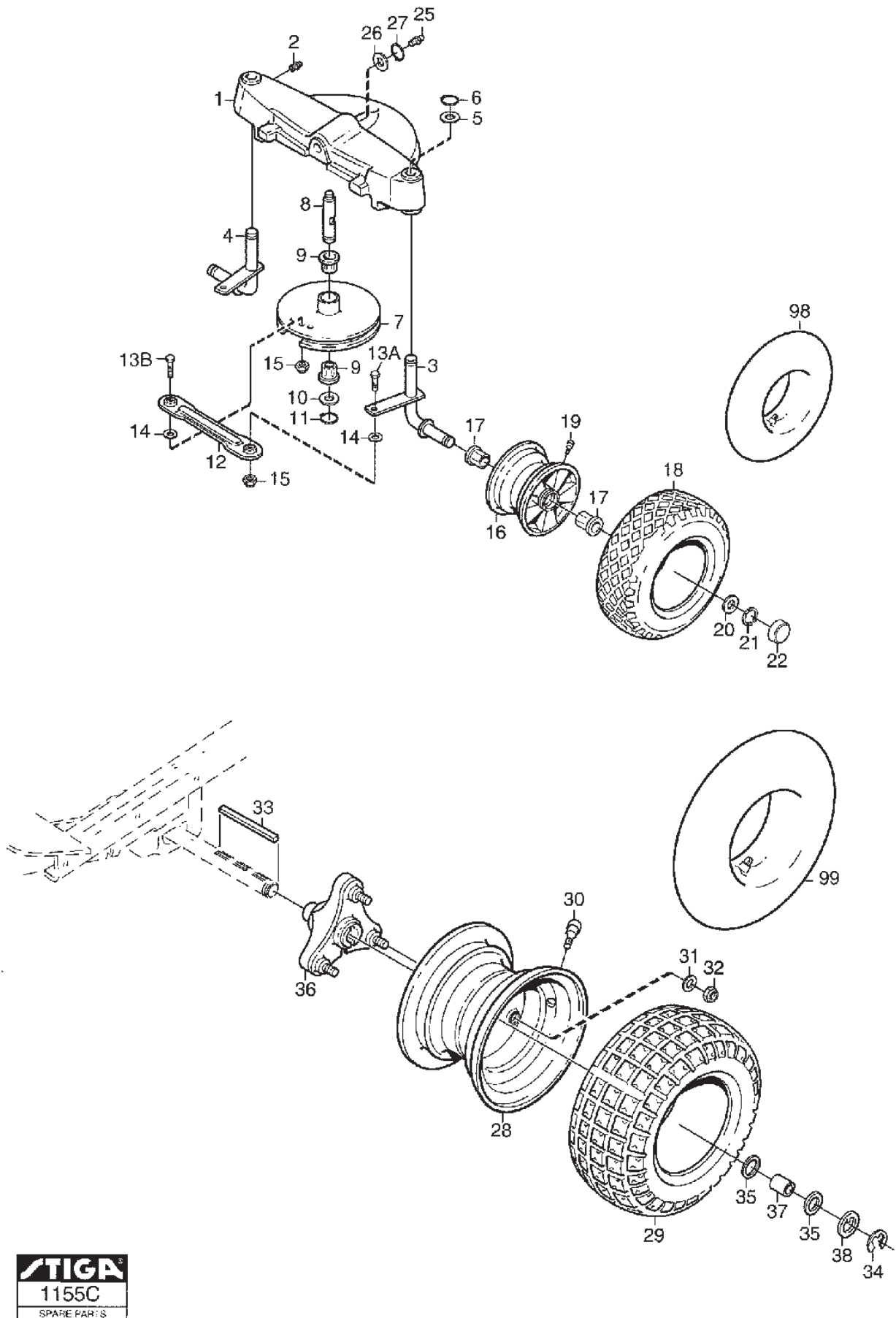


Utgåva Issue 20 - 2015		Motor	Engine		
Pos. Fig.	Antal Q.ty	Art nr Part No	Benämning	Description	Anmärkning Notes
1	4	9997-0840-16	Skruv	Screw	
2	4	9747-0831-02	Mutter	Nut	
3	1	1134-4468-01	Distans	Spacer	H = 39.5 mm
4	1	1134-4222-02	Tätningring	Seal Ring (15 Mm)	
5	1	1134-5066-01	Bränsletank	Fuel Tank	
6	1	1134-2877-03	Tanklock	Fuel Tank Cap	
7	1	1134-3224-01	Bensinkran	Fuel Shut-Off Valve	
8	1	1134-3225-01	Gummibussning	Grommet	
9	1	1134-2975-05	Bensinslang	Fuel Tube	L = 460 mm
10	2	9578-0023-02	Slangklämma D12*8 (Svart)	Hose Clamp	
12	1	1134-4808-01	Tankbygel	Tank Clamp	
13	1	9699-0060-02	Bricka	Washer	
14	1	9747-0631-02	Mutter	Nut	
15	1	1134-4807-02	Fäste	Support	
16	4	9829-8830-12	Skruv	Screw	
18	1	1134-5379-01	Avgasrör Kpl	Exhaust Pipe Assy	
19	1	1134-0433-00	Packning	Gasket	
22	2	1134-4930-01	Skruv	Screw	
23	1	1134-5378-01	Ljuddämpare	Muffler	
24	1	9578-0011-00	Klämma F Ljuddämp D35 Rid	Clamp	
25	1	9959-0820-16	Skruv	Screw	
26	1	1134-5163-01	Ljuddämparskydd	Muffler Guard	
27	4	9893-0616-16	Skruv	Screw	

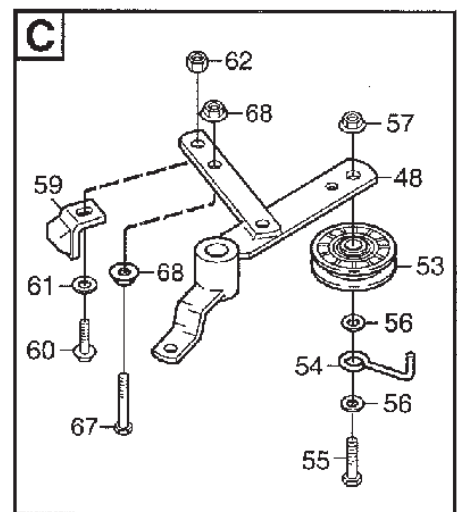
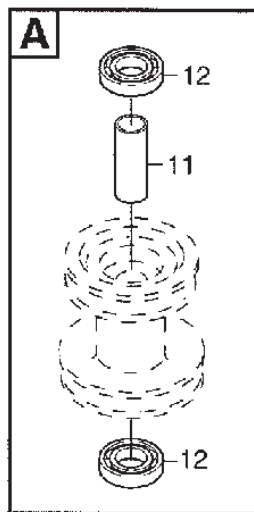
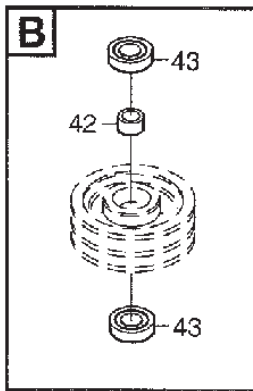
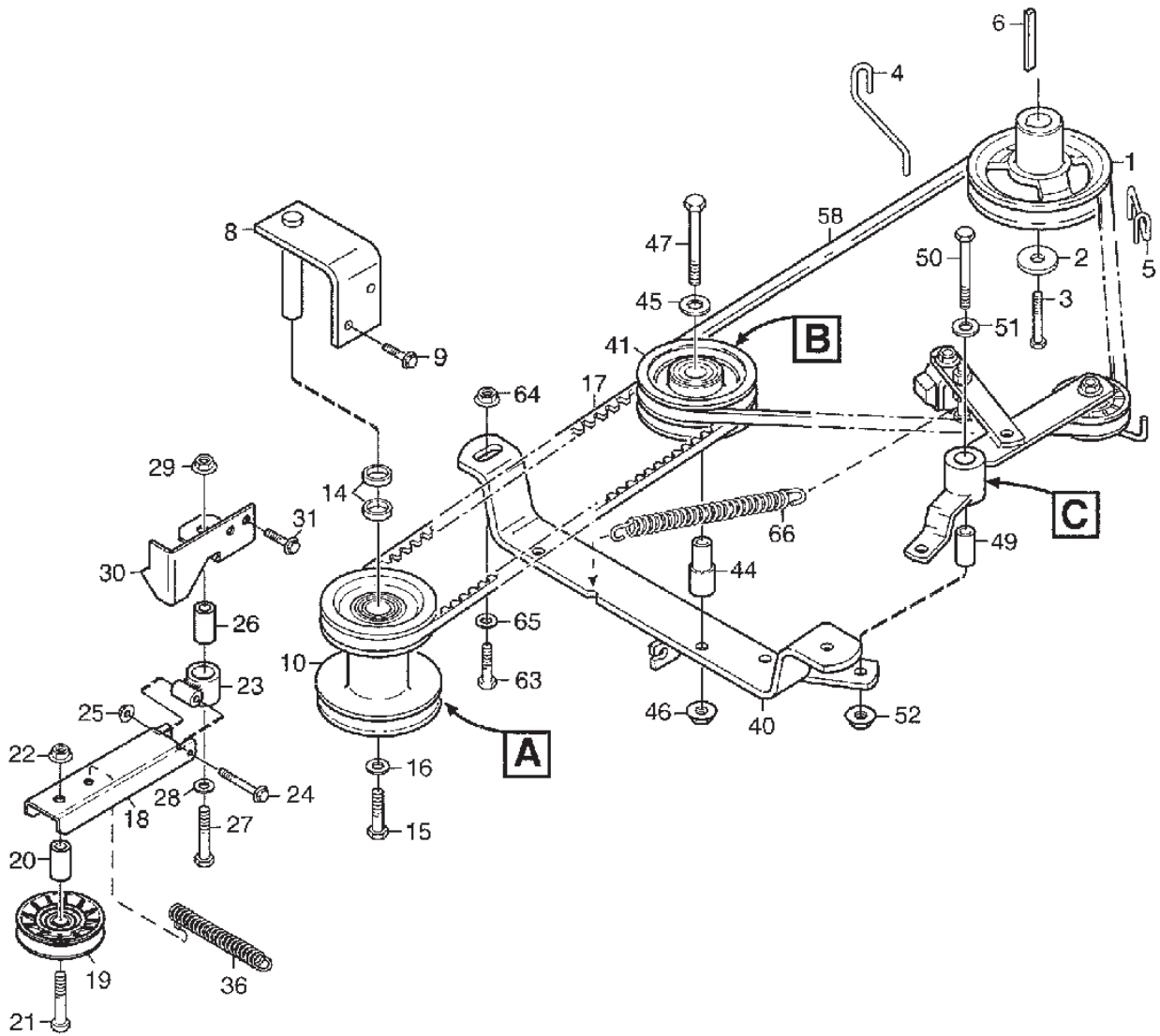




Utgåva Issue 20 - 2015		Transmission		Transmission	
Pos. Fig.	Antal Q.ty	Art nr Part No	Benämning	Description	Anmärkning Notes
1	1	1134-4611-01	Motorremskiva	Engine Belt Pulley	
4	1	1134-5414-01	Remstyrning	Belt Guide	
5	1	9699-0056-02	Bricka	Washer	
6	1	1134-4519-01	Spännarm Kpl. 5-01 F15	Tension Arm	
7	1	1134-3053-01	Spännrulle	Tension Roller	
7	1	1134-9091-01	Spännrulle	Tension Roller	
8	1	1134-4614-01	Distans	Spacer	
9	1	9997-1040-16	Skruv	Screw	
10	1	9699-0035-02	Bricka	Washer	
11	1	9739-1031-22	Mutter	Nut	
12	1	1134-9027-01	Spännrulle (Svart)	Tension Roller (Black)	
13	1	1134-1795-01	Remhallare	Belt Stirrup	
14	1	9997-1040-16	Skruv	Screw	
15	2	9699-0035-02	Bricka	Washer	
16	1	9739-1031-22	Mutter	Nut	
17	1	1134-9064-01	Kilrem	V-Belt	= 9585-0099-01
18	1	1134-1565-08	Distans	Spacer	
19	1	9997-0865-12	Skruv	Screw	
19	1	9997-0870-16	Skruv	Screw	
20	2	9699-0056-02	Bricka	Washer	
21	1	9739-0831-22	Mutter	Nut	
22	1	1134-5214-01	Fjäder	Spring	
23	1	1134-4846-01	Transaxel (K46)	Transaxle (K46)	Kanzaki K46AG
24	4	9997-0865-12	Skruv	Screw	
24	4	9997-0870-16	Skruv	Screw	
25	4	9747-0831-02	Mutter	Nut	
26	1	1134-4588-01	Momentstag5-01 F24	Strut	
27	1	9945-0816-16	Skruv	Screw	
28	1	9997-0840-16	Skruv	Screw	
29	1	9747-0831-02	Mutter	Nut	
40	1	1134-4713-01	Vinkelfäste	Angle Bracket	
41	1	1134-2790-01	Kabelgenomföring	Cable Protection	
42	1	1134-5156-01	Dragstang	Pull Rod	
43	1	1134-4014-01	Plastknopp	Knob	
44	1	9675-0009-02	Starlockbricka	Starlock	
45	1	9945-0816-16	Skruv	Screw	
51	1	1134-2138-01	Skruvögla	Eye Bolt	
52	1	1134-4779-01	Bussning	Bushing	
53	1	9739-0831-22	Mutter	Nut	
54	1	9747-0831-02	Mutter	Nut	
55	1	1134-5319-01	Remstyrning	Belt Guide	
56	1	9699-0056-02	Bricka	Washer	

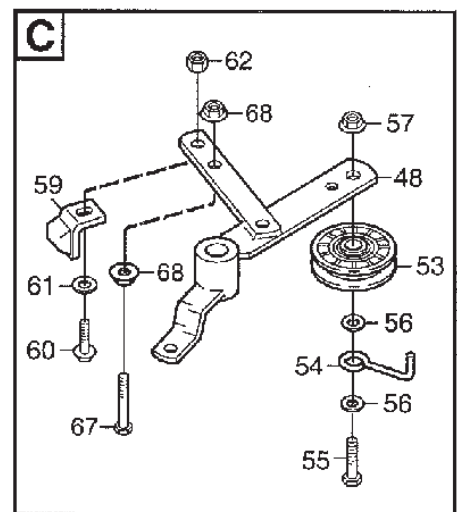
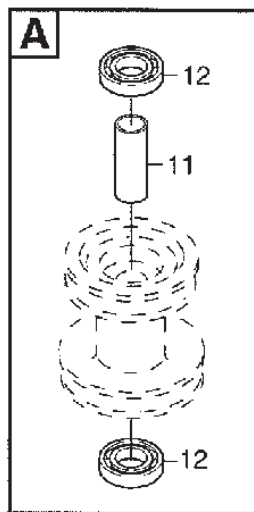
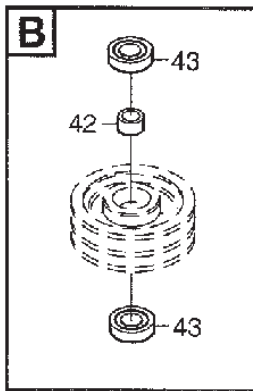
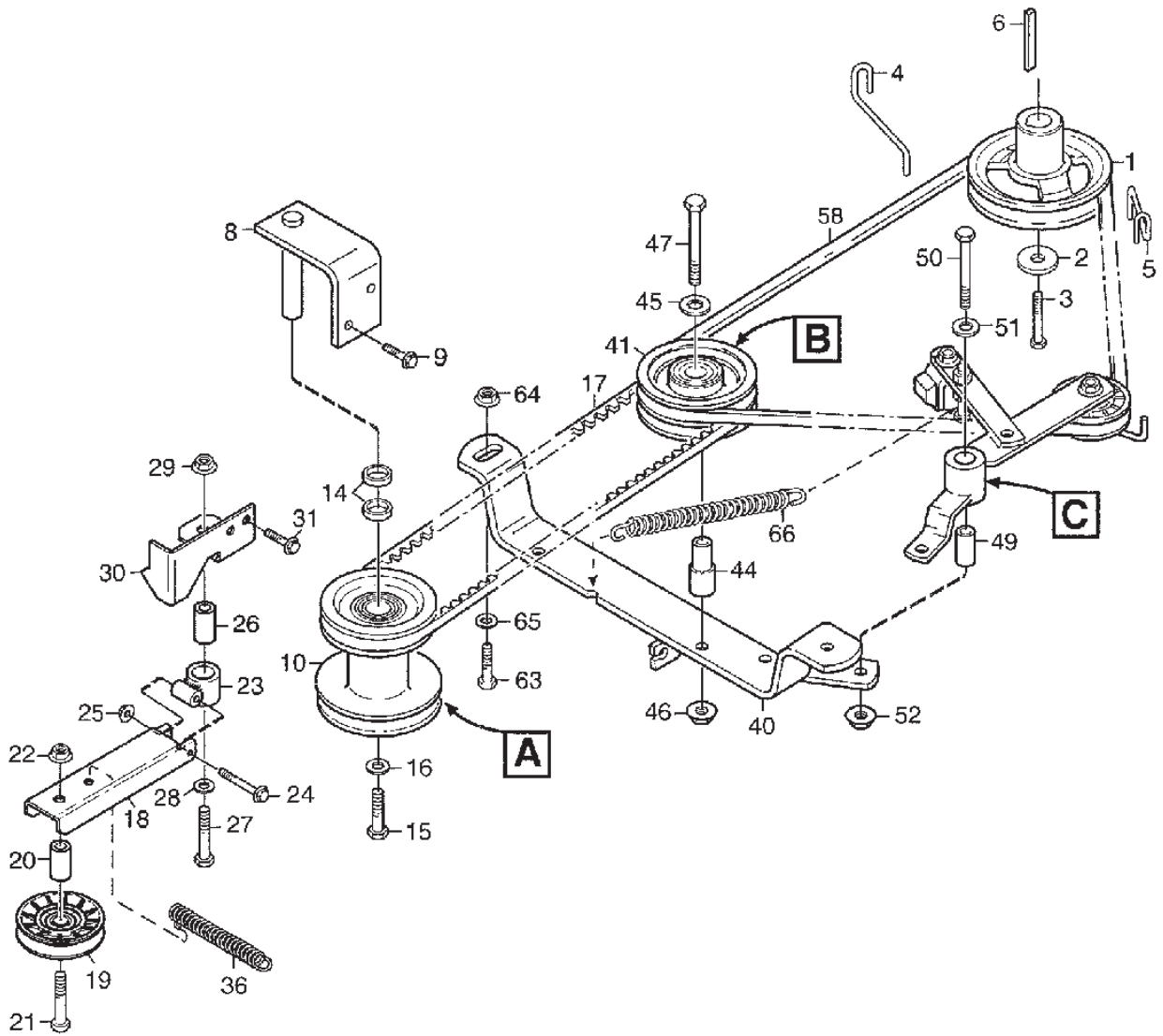


Utgåva Issue 20 - 2015		Hjul Wheels			
Pos. Fig.	Antal Q.ty	Art nr Part No	Benämning	Description	Anmärkning Notes
1	1	1134-5012-01	Bakaxel	Rear Axle	
2	2	9501-0500-00	Smörjkopp Kort Rak	Grease Dispenser	
3	1	1134-5009-02	Spindel Kpl-Vä (5-01 H40)	Stub Axle	
4	1	1134-5009-01	Spindel Kpl-Hö (5-01 H40)	Right Stub Axle	
5	2	9699-0088-02	Bricka	Washer	
6	2	9650-0020-04	Sparring Sga 20	Circlip	
7	1	1134-1500-03	Linhjul	Steering Pulley	
8	1	1134-1583-01	Axel	Shaft For Steering Pulley	
9	1	1134-9024-01	Lager (4 St)	Bearing	Sats 4 st/kit of 4
10	1	1134-0341-01	Bricka	Washer	
11	1	9650-0020-04	Sparring Sga 20	Circlip	
12	2	1134-3247-05	Styrstag	Tie Rod	
13	2	9997-0825-16	Skruv	Screw	L = 25 mm
13	1	9997-0835-12	Skruv	Screw	L = 35 mm
14	2	9699-0028-02	Bricka	Washer	
15	3	9747-0831-02	Mutter	Nut	
16	2	1134-4706-01	Fälg (3.50 X 6)	Rim	
17	1	1134-9026-01	Bussning	Bearing	Sats 4 st/kit of 4
18	2	9545-0125-01	Däck	Tyre	14 x 5.50 - 6
19	2	9545-0500-00	Ventil	Valve Assy.	
20	2	1134-0341-01	Bricka	Washer	
21	2	9650-0020-04	Sparring Sga 20	Circlip	
22	2	1134-4344-01	Kapsel (Svart)	Hub Cap Black	
25	1	9501-0500-00	Smörjkopp Kort Rak	Grease Dispenser	
26	1	9699-0088-02	Bricka	Washer	
27	1	9650-0020-04	Sparring Sga 20	Circlip	
28	2	1134-4558-01	Fälg	Rim	
29	2	9545-0116-00	Däck	Tyre	16 x 7.50 - 8
30	2	9545-0500-00	Ventil	Valve Assy.	
31	6	9699-0035-02	Bricka	Washer	
32	6	9747-1031-02	Mutter	Nut	
33	2	1134-2471-03	Kil	Key	
34	2	9653-0001-04	Sparryttare Rs	Lock Ring	
35	4	1134-0341-01	Bricka	Washer	
36	2	1134-4844-02	Hjulnav Kpl	Wheel Hub Assy	
37	2	1134-4845-01	Navhylsa	Hub Sleeve	
38	2	1134-4981-01	Bricka	Washer	



**STIGA**  
1512A  
SPARE PARTS

Utgåva Issue 20 - 2015		Power Take-Off			
Pos. Fig.	Antal Q.ty	Art nr Part No	Benämning	Description	Anmärkning Notes
1	1	1134-5046-01	Motorremskiva	Engine Pulley	
2	1	1134-5017-01	Bricka	Washer	
3	1	9987-5332-16	Skruv	Screw	
4	1	1134-5058-01	Remstyrning	Belt Guide	
5	1	1134-5057-01	Remstyrning	Belt Guide	
6	1	9600-0251-01	Kil	Key	L = 2 1/2"
8	1	1134-4650-01	Monteringsbygel5-01 H40	Pulley Bracket	
9	2	9945-0816-16	Skruv	Screw	
10	1	1134-4643-01	Mellanremskiva Smst	Intermediate Belt Pulley	
11	1	1134-0051-12	Distans	Spacer	
12	2	9549-0019-00	Kullager	Ball Bearing	
14	2	1134-0052-00	Distans	Spacer	
15	1	9997-1040-16	Skruv	Screw	
16	1	9699-0035-02	Bricka	Washer	
17	1	1134-9079-01	Drivrem	Drive Belt	= 9585-0139-01
18	1	1134-5231-01	Spännarm 5-01 F24	Tension Arm	
19	1	1134-9027-01	Spännrulle (Svart)	Tension Roller (Black)	
20	1	1134-4619-01	Distans	Spacer	
21	1	9997-1060-12	Skruv	Screw	
22	1	9739-1031-22	Mutter	Nut	
23	1	1134-5232-01	Spännarmsfäste	Holder-Tension Arm	
24	1	9997-0640-12	Skruv	Screw	
25	1	9747-0631-02	Mutter	Nut	
26	1	1134-4619-01	Distans	Spacer	
27	1	9997-1040-16	Skruv	Screw	
28	1	9699-0035-02	Bricka	Washer	
29	1	9739-1031-22	Mutter	Nut	
30	1	1134-4708-02	Fäste	Bracket	
31	2	9945-0816-16	Skruv	Screw	
36	1	1131-1507-00	Fjäder	Spring	
40	1	1134-5037-01	Bygel Kpl (Svart) 5-01 F15	Mounting Bracket (Black)	
41	1	1134-1769-02	Remskiva	Belt Pulley	
42	1	1134-0051-09	Distans	Spacer	
43	2	9549-0019-00	Kullager	Ball Bearing	
44	1	1134-1839-02	Mellanaxel	Shaft	
45	1	9699-0035-02	Bricka	Washer	
46	1	9739-1031-22	Mutter	Nut	
47	1	9997-1070-12	Skruv	Screw	
48	1	1134-5541-01	Kopplingsarm	Clutch Lever	
49	1	1134-1565-10	Distans	Spacer	
50	1	9997-0860-16	Skruv	Screw	
51	1	9699-0056-02	Bricka	Washer	
52	1	9739-0831-22	Mutter	Nut	
53	1	1134-9027-01	Spännrulle (Svart)	Tension Roller (Black)	
54	1	1134-1795-01	Remhallare	Belt Stirrup	
55	1	9997-1040-16	Skruv	Screw	
56	2	9699-0035-02	Bricka	Washer	
57	1	9739-1031-22	Mutter	Nut	
58	1	1134-9078-01	Drivrem	Drive Belt	= 9585-0138-01



**STIGA**  
1512A  
SPARE PARTS

Utgåva Issue 20 - 2015		Power Take-Off			
Pos. Fig.	Antal Q.ty	Art nr Part No	Benämning	Description	Anmärkning Notes
59	1	1134-4164-01	Bromsklots	Brake Pad	
60	1	9959-0820-16	Skruv	Screw	
61	1	9699-0090-02	Bricka   Bricka	Washer   Washer	
62	1	9747-0831-02	Mutter	Nut	
63	2	9959-0820-16	Skruv	Screw	
64	2	9739-0831-22	Mutter	Nut	
65	1	9699-0056-02	Bricka	Washer	
66	1	1131-1506-00	Fjäder	Spring	
67	1	9997-0860-16	Skruv	Screw	
68	2	9739-0831-22	Mutter	Nut	

<b>code</b>	<b>pos.</b>	<b>q.ty</b>	<b>page</b>								
1111-2113-01	12	1	p. 21	1134-4008-03	25	1	p. 35	1134-4844-02	36	2	p. 43
1131-1497-01	22	1	p. 35	1134-4014-01	43	1	p. 41	1134-4845-01	37	2	p. 43
1131-1506-00	66	1	p. 47	1134-4065-01	10	1	p. 33	1134-4846-01	23	1	p. 41
1131-1507-00	36	1	p. 45	1134-4078-01	22	1	p. 33	1134-4860-01	17	1	p. 27
1134-0041-01	1	3	p. 31	1134-4079-01	12	1	p. 33	1134-4904-01	9	2	p. 23
1134-0041-05	37	1	p. 31	1134-4080-03	11	1	p. 33	1134-4930-01	22	2	p. 39
1134-0051-09	42	1	p. 45	1134-4093-01	30	1	p. 33	1134-4938-01	19	1	p. 27
1134-0051-12	11	1	p. 45	1134-4100-01	39	1	p. 33	1134-4945-01	5	1	p. 27
1134-0052-00	14	2	p. 45	1134-4117-01	1	1	p. 27	1134-4949-01	5	1	p. 35
1134-0240-00	4	2	p. 29	1134-4120-04	11	1	p. 31	1134-4950-02	43	1	p. 33
1134-0240-00	18	2	p. 27	1134-4129-01	38	3	p. 33	1134-4972-01	53	1	p. 35
1134-0240-00	23	1	p. 33	1134-4164-01	59	1	p. 47	1134-4981-01	38	2	p. 43
1134-0240-00	37	2	p. 35	1134-4176-01	14	4	p. 23	1134-5009-01	4	1	p. 43
1134-0341-01	10	1	p. 43	1134-4185-01	3	2	p. 21	1134-5009-02	3	1	p. 43
1134-0341-01	20	2	p. 43	1134-4190-01	85	1	p. 17	1134-5012-01	1	1	p. 43
1134-0341-01	35	4	p. 43	1134-4211-02	12	1	p. 29	1134-5017-01	2	1	p. 45
1134-0433-00	19	1	p. 39	1134-4222-02	4	1	p. 39	1134-5032-01	18	1	p. 29
1134-1242-02	53	1	p. 33	1134-4223-01	2	1	p. 29	1134-5037-01	40	1	p. 45
1134-1305-03	15	1	p. 31	1134-4223-01	2	1	p. 29	1134-5046-01	1	1	p. 45
1134-1310-01	7	1	p. 31	1134-4242-01	25	2	p. 33	1134-5057-01	5	1	p. 45
1134-1500-03	7	1	p. 43	1134-4256-01	13	1	p. 29	1134-5058-01	4	1	p. 45
1134-1565-06	27	1	p. 31	1134-4344-01	22	2	p. 43	1134-5061-01	46	1	p. 33
1134-1565-08	18	1	p. 41	1134-4431-01	19	1	p. 31	1134-5066-01	5	1	p. 39
1134-1565-10	49	1	p. 45	1134-4440-01	34	1	p. 35	1134-5067-01	1	1	p. 23
1134-1583-01	8	1	p. 43	1134-4441-01	36	1	p. 35	1134-5077-01	1	1	p. 33
1134-1597-11	27	1	p. 33	1134-4444-01	3	2	p. 23	1134-5078-01	23	2	p. 23
1134-1769-02	41	1	p. 45	1134-4468-01	3	1	p. 39	1134-5101-01	20	1	p. 35
1134-1795-01	13	1	p. 41	1134-4470-02	36	1	p. 33	1134-5156-01	42	1	p. 41
1134-1795-01	54	1	p. 45	1134-4472-01	34	1	p. 33	1134-5163-01	26	1	p. 39
1134-1839-02	44	1	p. 45	1134-4472-01	34	1	p. 33	1134-5173-02	23	1	p. 31
1134-1901-01	16	2	p. 31	1134-4481-02	44	1	p. 31	1134-5177-01	42	1	p. 31
1134-1933-01	20	1	p. 31	1134-4483-01	14	1	p. 31	1134-5179-01	6	1	p. 29
1134-2042-02	8	1	p. 37	1134-4487-02	5	1	p. 33	1134-5214-01	22	1	p. 41
1134-2138-01	6	1	p. 35	1134-4519-01	6	1	p. 41	1134-5216-01	41	1	p. 31
1134-2138-01	14	1	p. 35	1134-4541-01	13	1	p. 21	1134-5231-01	18	1	p. 45
1134-2138-01	51	1	p. 41	1134-4558-01	28	2	p. 43	1134-5232-01	23	1	p. 45
1134-2310-01	29	1	p. 37	1134-4588-01	26	1	p. 41	1134-5244-03	99	1	p. 23
1134-2471-03	33	2	p. 43	1134-4590-01	21	1	p. 33	1134-5244-06	99	1	p. 23
1134-2551-01	47	1	p. 33	1134-4592-01	16	1	p. 23	1134-5244-07	99	1	p. 23
1134-2609-01	6	2	p. 21	1134-4610-01	4	1	p. 37	1134-5245-01	14	1	p. 21
1134-2684-01	4	2	p. 27	1134-4611-01	1	1	p. 41	1134-5288-01	40	1	p. 35
1134-2700-01	27	2	p. 35	1134-4614-01	8	1	p. 41	1134-5293-01	2	1	p. 25
1134-2780-01	26	2	p. 35	1134-4617-01	13	1	p. 35	1134-5318-01	32	1	p. 37
1134-2790-01	41	1	p. 41	1134-4619-01	20	1	p. 45	1134-5319-01	55	1	p. 41
1134-2877-03	6	1	p. 39	1134-4619-01	26	1	p. 45	1134-5339-01	4	1	p. 25
1134-2960-02	13	1	p. 21	1134-4624-01	2	2	p. 35	1134-5358-01	48	1	p. 33
1134-2962-01	26	1	p. 37	1134-4627-01	7	1	p. 21	1134-5378-01	23	1	p. 39
1134-2975-05	9	1	p. 39	1134-4628-05	3	1	p. 29	1134-5379-01	18	1	p. 39
1134-3022-01	2	3	p. 31	1134-4643-01	10	1	p. 45	1134-5381-01	7	2	p. 23
1134-3022-01	38	1	p. 31	1134-4650-01	8	1	p. 45	1134-5382-01	5	1	p. 25
1134-3047-01	32	1	p. 31	1134-4664-05	0	1	p. 21	1134-5414-01	4	1	p. 41
1134-3047-01	36	2	p. 31	1134-4702-01	28	1	p. 37	1134-5541-01	48	1	p. 45
1134-3053-01	7	1	p. 41	1134-4702-02	30	1	p. 37	1134-5546-01	1	1	p. 25
1134-3224-01	7	1	p. 39	1134-4706-01	16	2	p. 43	1134-5546-02	1	1	p. 25
1134-3225-01	8	1	p. 39	1134-4708-02	30	1	p. 45	1134-6093-01	32	1	p. 37
1134-3247-05	12	2	p. 43	1134-4713-01	40	1	p. 41	1134-9024-01	9	1	p. 43
1134-3399-02	5	1	p. 37	1134-4734-01	10	1	p. 21	1134-9025-01	3	1	p. 31
1134-3573-04	52	1	p. 33	1134-4734-01	33	1	p. 33	1134-9025-01	39	1	p. 31
1134-3752-01	25	1	p. 31	1134-4749-01	31	1	p. 33	1134-9026-01	17	1	p. 43
1134-3769-01	24	1	p. 31	1134-4779-01	52	1	p. 35	1134-9027-01	12	1	p. 41
1134-3771-66	20	1	p. 21	1134-4779-01	52	1	p. 41	1134-9027-01	19	1	p. 45
1134-3808-01	21	1	p. 35	1134-4787-01	6	1	p. 23	1134-9027-01	53	1	p. 45
1134-3944-03	13	1	p. 23	1134-4789-01	12	1	p. 23	1134-9064-01	17	1	p. 41
1134-3986-01	6	1	p. 33	1134-4790-02	21	2	p. 23	1134-9078-01	58	1	p. 45
1134-4002-01	23	1	p. 35	1134-4793-01	35	1	p. 35	1134-9079-01	17	1	p. 45
1134-4008-01	25	1	p. 35	1134-4802-01	1	1	p. 35	1134-9083-01	6	1	p. 31
				1134-4807-02	15	1	p. 39	1134-9091-01	7	1	p. 41
				1134-4808-01	12	1	p. 39				



code	pos.	q.ty	page											
1139-0224-01	7	1	p. 15	1139-1309-01	84	1	p. 17	9675-0012-02	41	2	p. 35			
1139-0244-01	22	14	p. 15	1139-1312-01	51	1	p. 17	9694-0001-00	24	1	p. 33			
1139-1021-01	41	1	p. 15	1139-1314-01	52	1	p. 17	9694-0001-00	38	2	p. 35			
1139-1028-01	11	1	p. 15	1139-1315-01	49	1	p. 15	9695-0011-00	45	1	p. 33			
1139-1054-01	37	1	p. 15	1139-1316-01	50	1	p. 17	9699-0028-02	14	2	p. 43			
1139-1066-01	44	2	p. 15	1139-1320-01	77	1	p. 17	9699-0035-02	10	1	p. 41			
1139-1067-01	45	1	p. 15	1139-1321-01	3	1	p. 15	9699-0035-02	12	2	p. 35			
1139-1068-01	46	1	p. 15	1139-1324-01	12	1	p. 15	9699-0035-02	15	2	p. 41			
1139-1069-01	48	1	p. 15	1139-1325-01	53	1	p. 17	9699-0035-02	16	1	p. 45			
1139-1070-01	47	1	p. 15	1139-1327-01	56	1	p. 17	9699-0035-02	28	1	p. 45			
1139-1078-01	70	2	p. 17	1139-1329-01	57	1	p. 17	9699-0035-02	31	6	p. 43			
1139-1080-01	72	2	p. 17	1139-1334-01	26	1	p. 15	9699-0035-02	45	1	p. 45			
1139-1102-01	55	1	p. 17	1139-1338-01	29	2	p. 15	9699-0035-02	56	2	p. 45			
1139-1103-01	99	2	p. 19	1139-1339-01	28	2	p. 15	9699-0056-02	5	1	p. 41			
1139-1104-01	16	1	p. 15	1139-1340-01	24	1	p. 15	9699-0056-02	5	4	p. 21			
1139-1110-01	35	1	p. 15	1139-1341-01	9	1	p. 15	9699-0056-02	8	1	p. 31			
1139-1114-01	81	2	p. 17	1139-1342-01	68	1	p. 17	9699-0056-02	20	2	p. 41			
1139-1115-01	59	2	p. 17	1139-1343-01	69	1	p. 17	9699-0056-02	51	1	p. 45			
1139-1117-01	19	2	p. 15	1139-1346-01	30	2	p. 15	9699-0056-02	56	1	p. 41			
1139-1119-01	20	1	p. 15	1139-1347-01	11	1	p. 15	9699-0056-02	62	1	p. 33			
1139-1123-01	100	2	p. 19	1139-1351-01	89	1	p. 17	9699-0056-02	65	1	p. 47			
1139-1127-01	60	1	p. 17	1139-1353-01	40	1	p. 15	9699-0060-02	13	1	p. 39			
1139-1139-01	38	1	p. 15	1139-1354-01	49	1	p. 17	9699-0060-02	18	2	p. 31			
1139-1146-01	34	3	p. 15	1139-1355-01	56	1	p. 17	9699-0060-02	22	1	p. 37			
1139-1149-01	87	1	p. 17	1139-1356-01	31	1	p. 15	9699-0088-02	5	2	p. 43			
1139-1150-01	8	2	p. 15	1139-1359-01	45	1	p. 15	9699-0088-02	26	1	p. 43			
1139-1157-01	36	1	p. 15	1139-1361-01	67	1	p. 17	9699-0090-02	28	2	p. 31			
1139-1158-01	25	1	p. 15	1139-1362-01	46	1	p. 15	9699-0090-02	61	1	p. 47			
1139-1159-01	31	1	p. 15	4231-0013-00	22	1	p. 27	9699-0103-02	2	1	p. 21			
1139-1160-01	39	1	p. 15	4231-0013-00	51	1	p. 35	9699-0104-02	33	2	p. 31			
1139-1161-01	14	1	p. 15	8211-0209-11	21	1	p. 21	9699-0114-02	2	1	p. 21			
1139-1162-01	61	1	p. 17	8211-0288-05	21	1	p. 21	9710-0631-12	43	1	p. 31			
1139-1163-01	71	2	p. 17	8211-0289-03	21	1	p. 21	9739-0631-22	4	4	p. 35			
1139-1164-01	73	2	p. 17	8211-0290-05	21	1	p. 21	9739-0631-22	21	2	p. 27			
1139-1189-01	13	1	p. 15	8211-2002-03	21	1	p. 21	9739-0831-22	3	2	p. 33			
1139-1190-01	50	1	p. 17	9400-0244-00	18	1	p. 3	9739-0831-22	5	4	p. 23			
1139-1245-01	32	1	p. 15	9400-0285-01	50	1	p. 33	9739-0831-22	8	3	p. 25			
1139-1246-01	33	1	p. 15	9403-0043-70	30	1	p. 31	9739-0831-22	9	1	p. 25			
1139-1247-01	40	1	p. 15	9403-0113-00	31	1	p. 31	9739-0831-22	9	1	p. 35			
1139-1248-01	83	2	p. 17	9404-0027-01	9	1	p. 27	9739-0831-22	13	4	p. 31			
1139-1250-01	54	1	p. 17	9500-9991-00	28	1	p. 33	9739-0831-22	15	1	p. 35			
1139-1251-01	12	1	p. 15	9501-0500-00	2	2	p. 43	9739-0831-22	21	1	p. 41			
1139-1255-01	63	1	p. 17	9501-0500-00	25	1	p. 43	9739-0831-22	29	2	p. 35			
1139-1256-01	64	1	p. 17	9545-0116-00	29	2	p. 43	9739-0831-22	31	2	p. 35			
1139-1257-01	65	2	p. 17	9545-0125-01	18	2	p. 43	9739-0831-22	31	6	p. 29			
1139-1258-01	62	1	p. 17	9545-0500-00	19	2	p. 43	9739-0831-22	52	1	p. 45			
1139-1259-01	67	1	p. 17	9545-0500-00	30	2	p. 43	9739-0831-22	53	1	p. 41			
1139-1260-01	75	1	p. 17	9549-0019-00	12	2	p. 45	9739-0831-22	61	1	p. 33			
1139-1261-01	76	1	p. 17	9549-0019-00	43	2	p. 45	9739-0831-22	64	2	p. 47			
1139-1263-01	78	1	p. 17	9578-0011-00	24	1	p. 39	9739-0831-22	68	2	p. 47			
1139-1264-01	79	1	p. 17	9578-0023-02	10	2	p. 39	9739-1031-22	3	2	p. 27			
1139-1266-01	86	1	p. 17	9579-0003-00	7	3	p. 37	9739-1031-22	5	2	p. 31			
1139-1267-01	66	1	p. 17	9579-0003-00	12	3	p. 37	9739-1031-22	7	2	p. 35			
1139-1269-01	68	1	p. 17	9595-0208-00	11	1	p. 35	9739-1031-22	11	1	p. 41			
1139-1270-01	69	1	p. 17	9595-0262-00	1	1	p. 21	9739-1031-22	16	1	p. 41			
1139-1272-01	42	1	p. 15	9595-0262-00	21	1	p. 31	9739-1031-22	22	1	p. 45			
1139-1275-01	15	1	p. 15	9595-0276-01	11	1	p. 27	9739-1031-22	29	1	p. 45			
1139-1279-01	95	1	p. 17	9598-0002-02	18	1	p. 35	9739-1031-22	46	1	p. 45			
1139-1280-01	90	1	p. 17	9600-0251-01	6	1	p. 45	9739-1031-22	57	1	p. 45			
1139-1281-01	82	2	p. 17	9650-0020-04	6	2	p. 43	9747-0631-02	13	1	p. 27			
1139-1282-01	80	1	p. 17	9650-0020-04	11	1	p. 43	9747-0631-02	14	1	p. 39			
1139-1285-01	58	1	p. 17	9650-0020-04	21	2	p. 43	9747-0631-02	25	1	p. 45			
1139-1286-01	43	1	p. 15	9650-0020-04	27	1	p. 43	9747-0831-02	2	4	p. 39			
1139-1294-01	27	3	p. 15	9650-0039-04	10	1	p. 27	9747-0831-02	5	2	p. 29			
1139-1295-01	21	2	p. 15	9653-0001-04	34	2	p. 43	9747-0831-02	9	1	p. 31			
1139-1303-01	91	1	p. 17	9675-0009-02	44	1	p. 41	9747-0831-02	10	1	p. 35			
				9675-0012-02	7	1	p. 29	9747-0831-02	10	1	p. 37			

code	pos.	q.ty	page										
9747-0831-02	15	3	p. 43	9987-5332-16	3	1	p. 45	690947	28	1	p. 11		
9747-0831-02	16	1	p. 27	9997-0625-16	20	2	p. 27	690958	1	2	p. 13		
9747-0831-02	16	1	p. 35	9997-0630-12	45	1	p. 31	690959	4	2	p. 3		
9747-0831-02	25	4	p. 41	9997-0640-12	12	1	p. 27	690964	7	2	p. 7		
9747-0831-02	26	1	p. 33	9997-0640-12	24	1	p. 45	690968	9	1	p. 7		
9747-0831-02	29	1	p. 31	9997-0825-16	13	2	p. 43	690968	22	1	p. 11		
9747-0831-02	29	1	p. 41	9997-0835-12	13	1	p. 43	691003	21	1	p. 3		
9747-0831-02	39	2	p. 35	9997-0840-16	1	4	p. 39	691003	24	2	p. 9		
9747-0831-02	54	1	p. 35	9997-0840-16	28	1	p. 41	691024	3	1	p. 9		
9747-0831-02	54	1	p. 41	9997-0860-16	50	1	p. 45	691029	9	1	p. 11		
9747-0831-02	62	1	p. 47	9997-0860-16	67	1	p. 47	691031	17	1	p. 3		
9747-1031-02	32	6	p. 43	9997-0865-12	19	1	p. 41	691031	32	1	p. 11		
9747-1231-02	15	1	p. 29	9997-0865-12	24	4	p. 41	691032	19	1	p. 3		
9794-5131-02	27	2	p. 37	9997-0865-12	26	1	p. 31	691032	31	1	p. 11		
9795-3531-02	11	1	p. 37	9997-0870-16	19	1	p. 41	691061	13	2	p. 9		
9829-8830-12	16	4	p. 39	9997-0870-16	24	4	p. 41	691095	12	2	p. 7		
9837-8914-12	11	2	p. 21	9997-0870-16	30	1	p. 35	691108	18	4	p. 7		
9838-9516-12	9	1	p. 37	9997-1040-16	2	2	p. 27	691119	7	1	p. 9		
9838-9516-12	24	3	p. 35	9997-1040-16	4	3	p. 31	691148	21	2	p. 7		
9838-9530-12	22	2	p. 23	9997-1040-16	9	1	p. 41	691183	10	4	p. 9		
9840-7716-16	51	2	p. 33	9997-1040-16	14	1	p. 41	691188	19	1	p. 9		
9849-8013-16	49	2	p. 33	9997-1040-16	15	1	p. 45	691224	17	1	p. 11		
9852-8013-16	6	2	p. 37	9997-1040-16	27	1	p. 45	691227	14	1	p. 13		
9852-8013-16	21	2	p. 29	9997-1040-16	55	1	p. 45	691251	8	1	p. 9		
9852-8013-16	49	2	p. 33	9997-1060-12	21	1	p. 45	691261	10	1	p. 11		
9893-0616-16	2	2	p. 23	9997-1060-12	40	1	p. 31	691265	3	1	p. 11		
9893-0616-16	3	2	p. 25	9997-1070-12	47	1	p. 45	691279	3	1	p. 7		
9893-0616-16	4	2	p. 33	19203	34	1	p. 9	691279	4	1	p. 7		
9893-0616-16	7	4	p. 33	89838	19	1	p. 3	691283	6	1	p. 11		
9893-0616-16	8	4	p. 23	95162	4	2	p. 13	691286	15	1	p. 11		
9893-0616-16	15	6	p. 23	222698	7	1	p. 3	691293	11	1	p. 11		
9893-0616-16	17	2	p. 31	231855	22	1	p. 13	691326	10	1	p. 13		
9893-0616-16	22	2	p. 29	272475	14	1	p. 7	691333	18	1	p. 13		
9893-0616-16	24	2	p. 23	272475	23	1	p. 11	691374	6	1	p. 9		
9893-0616-16	27	4	p. 39	273280	15	1	p. 7	691532	16	1	p. 11		
9893-0616-16	44	2	p. 33	273280	20	1	p. 11	691581	19	1	p. 11		
9897-0820-16	12	4	p. 31	281165	27	1	p. 13	691620	15	1	p. 3		
9897-0820-16	15	1	p. 27	391086	3	1	p. 3	691636	9	1	p. 13		
9897-0820-16	32	2	p. 29	391086	25	1	p. 11	691639	6	1	p. 3		
9898-0635-12	3	4	p. 35	393537	11	1	p. 9	691657	29	1	p. 13		
9924-1235-19	14	1	p. 29	394358	5	1	p. 13	691691	14	2	p. 3		
9943-0516-16	29	1	p. 33	399265	2	1	p. 3	691693	1	2	p. 9		
9943-0516-16	35	2	p. 33	492341	14	1	p. 9	691751	11	2	p. 7		
9943-0516-16	37	4	p. 33	493880	15	1	p. 9	691795	5	1	p. 9		
9945-0816-16	9	2	p. 45	494381	25	1	p. 13	691840	22	1	p. 9		
9945-0816-16	27	1	p. 41	495800	15	1	p. 13	691841	20	1	p. 9		
9945-0816-16	31	2	p. 45	495856	5	1	p. 7	691842	21	1	p. 9		
9945-0816-16	45	1	p. 41	495857	8	1	p. 7	691843	2	1	p. 7		
9946-0525-16	17	2	p. 23	495933	26	1	p. 13	691909	17	1	p. 3		
9959-0820-16	2	2	p. 33	497608	13	1	p. 11	691917	29	1	p. 11		
9959-0820-16	4	2	p. 21	498030	17	1	p. 13	691917	32	1	p. 13		
9959-0820-16	4	4	p. 23	499586	6	2	p. 7	691917	36	1	p. 9		
9959-0820-16	6	2	p. 25	690227	2	2	p. 13	691968	23	1	p. 5		
9959-0820-16	8	2	p. 21	690323	14	2	p. 11	691986	10	2	p. 7		
9959-0820-16	10	1	p. 31	690360	24	8	p. 7	692012	13	1	p. 3		
9959-0820-16	13	2	p. 33	690372	18	1	p. 11	692024	5	1	p. 11		
9959-0820-16	25	1	p. 39	690372	31	2	p. 9	692034	7	1	p. 11		
9959-0820-16	28	2	p. 35	690480	5	1	p. 9	692125	25	10	p. 5		
9959-0820-16	28	3	p. 29	690525	24	1	p. 13	692137	16	1	p. 13		
9959-0820-16	55	1	p. 35	690564	23	2	p. 7	692137	19	1	p. 7		
9959-0820-16	60	1	p. 33	690577	21	1	p. 13	692137	21	1	p. 11		
9959-0820-16	60	1	p. 47	690602	11	1	p. 13	692138	16	1	p. 7		
9959-0820-16	63	2	p. 47	690802	13	1	p. 13	692138	33	1	p. 11		
9959-0825-16	7	2	p. 25	690804	4	1	p. 9	692255	28	1	p. 13		
9959-0825-16	29	2	p. 29	690822	13	1	p. 7	692407	6	1	p. 3		
9959-1025-16	2	2	p. 27	690946	24	1	p. 5	692407	27	1	p. 11		
				690947	26	1	p. 5	692492	17	1	p. 7		

code	pos.	q.ty	page				
692852	9	2	p. 3	698377	1	1	p. 3
693167	12	1	p. 11	698377	1	1	p. 3
693551	1	1	p. 11	698413	42	1	p. 9
693699	2	1	p. 11	698469	3	2	p. 3
693713	4	1	p. 11	698516	12	1	p. 9
693757	8	1	p. 11	699016	22	1	p. 3
694042	2	1	p. 9	699027	12	1	p. 13
694123	16	1	p. 9	699044	32	1	p. 9
694524	20	1	p. 13	699331	3	1	p. 13
696457	9	1	p. 9	790019	6	1	p. 13
697086	16	1	p. 3	790024	8	1	p. 13
697088	18	1	p. 9	790025.	19	1	p. 13
697089	17	1	p. 9	790028	30	1	p. 13
697099	10	1	p. 3	790031.	31	1	p. 13
697102	30	2	p. 9	790175	7	1	p. 13
697103	43	1	p. 9				
697104	10	1	p. 3				
697106	28	1	p. 5				
697109	9	1	p. 3				
697109	26	1	p. 11				
697110	27	1	p. 5				
697110	34	1	p. 11				
697112	8	1	p. 3				
697113	11	1	p. 3				
697122	35	1	p. 9				
697123	30	1	p. 11				
697123	33	1	p. 13				
697123	37	1	p. 9				
697124	12	1	p. 3				
697128	5	1	p. 3				
697133	29	1	p. 9				
697144	5	1	p. 3				
697151	24	1	p. 11				
697155	45	1	p. 9				
697156	14	2	p. 3				
697157	7	2	p. 3				
697184	18	1	p. 3				
697292	44	1	p. 9				
697352	25	1	p. 9				
697359	20	1	p. 3				
697361	20	1	p. 7				
697364	8	1	p. 3				
697377	1	1	p. 3				
697390	4	1	p. 3				
697391	11	1	p. 3				
697392	12	1	p. 3				
697394	22	1	p. 7				
697395	22	1	p. 7				
697396	1	1	p. 7				
697419	41	1	p. 9				
697420	40	1	p. 9				
697607	13	1	p. 3				
697611	15	1	p. 3				
697870	39	1	p. 9				
697897	28	4	p. 9				
698139	27	1	p. 9				
698174	23	1	p. 13				
698282	33	1	p. 9				
698329	26	1	p. 9				
698368	38	1	p. 9				
698371	2	1	p. 3				
698371	2	1	p. 3				
698373	2	1	p. 3				
698373	2	1	p. 3				
698375	1	1	p. 3				
698375	1	1	p. 3				