

# STIGA

## *Reservdelskatalog Parts Catalogue*

### ***VILLA EXCELLENCE***

***13-2723-84 - Season 2004***

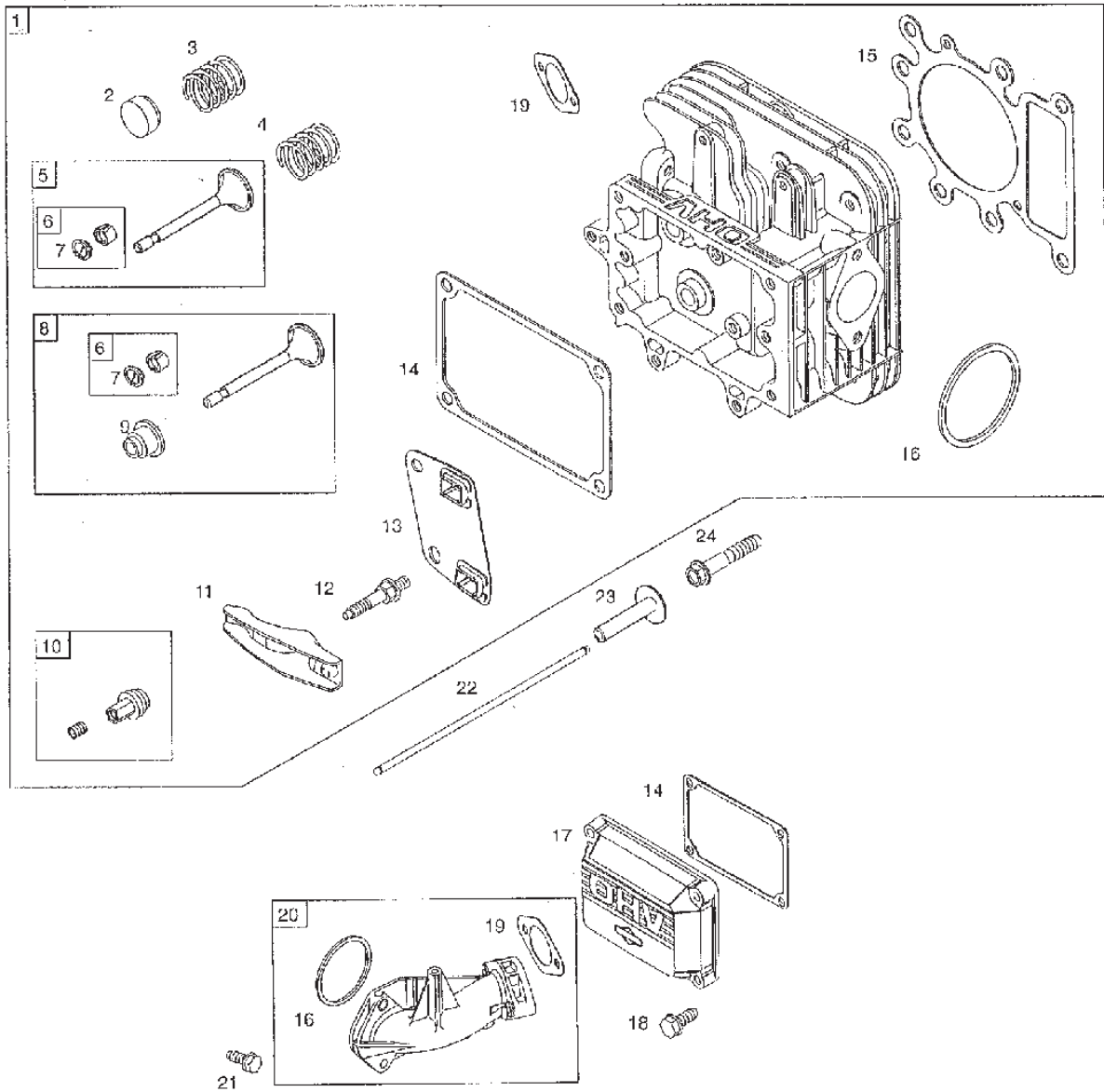
- Use GLOBAL GARDEN PRODUCT Genuine Spare Parts specified in the parts list for repair and/or replacement.
  - The contents described in the parts list may change due to improvement.
  - The drawings of the spare parts are only indicative and might not represent the part in question exactly.
  - The indications "right" - "left" - "front" - "rear" refer to the position of the operator when using the machine.
- When placing orders of parts for repair and/or replacement, make sure that the illustrated parts list is the one applying to the machine's year of manufacture, as shown on the identification plate attached to the machine.

© Copyright 2004 Global Garden Products

All rights reserved. No part of this material may be reproduced or transmitted, in any form or by any means, electronic or mechanical, including photocopying, recording or by any information storage and retrieval system, without permission in writing from GLOBAL GARDEN PRODUCTS.

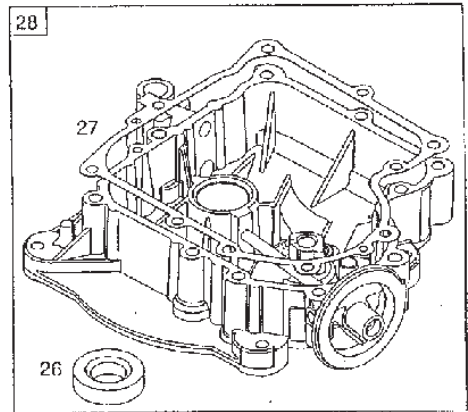
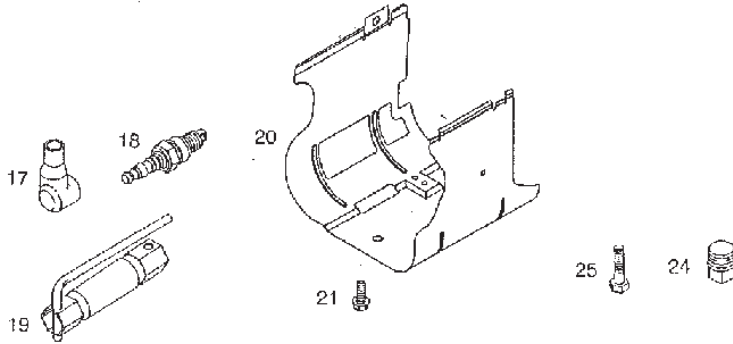
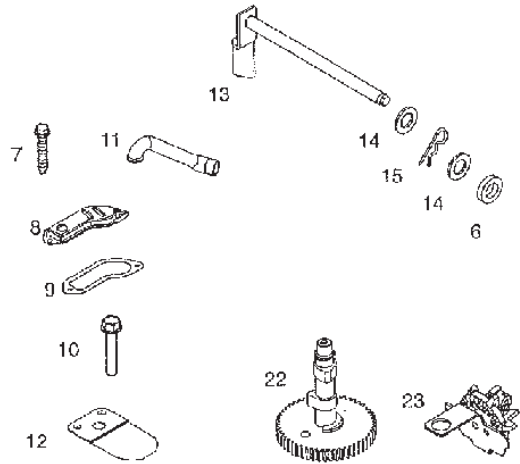
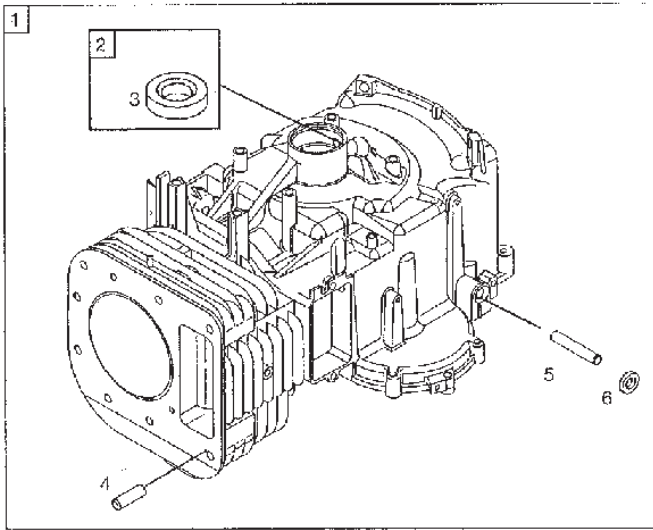
*www.stiga.com*

A

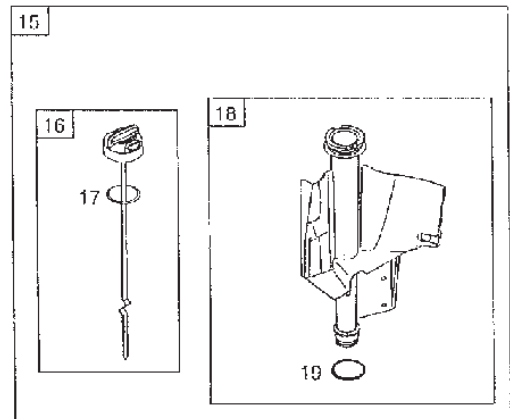
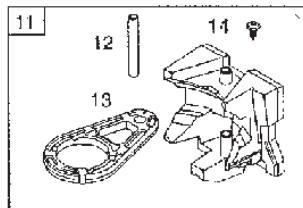
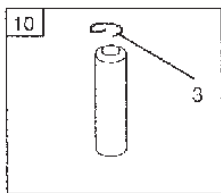
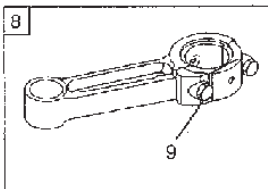
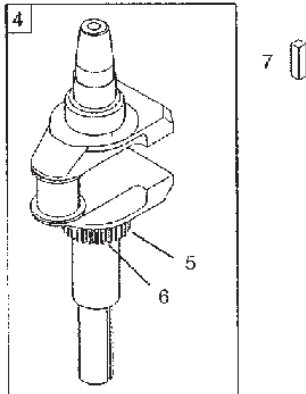
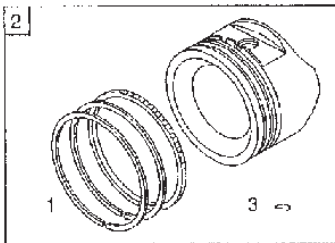


| Utgåva<br>Issue<br>20 - 2015 |               | Topplöck (A)      |                    | Cylinder Head (A)    |                     |
|------------------------------|---------------|-------------------|--------------------|----------------------|---------------------|
| Pos.<br>Fig.                 | Antal<br>Q.ty | Art nr<br>Part No | Benämning          | Description          | Anmärkning<br>Notes |
| 1                            | 1             | 697396            | Topplöck           | Cylinder Head        | 21A907-0113         |
| 2                            | 1             | 691843            | Valve cap          | Valve cap            | 21A907-0113         |
| 3                            | 1             | 691279            | Valve spring       | Valve spring         | 21A907-0113         |
| 4                            | 1             | 691279            | Valve spring       | Valve spring         | 21A907-0113         |
| 5                            | 1             | 495856            | Valve-exhaust      | Valve-exhaust        | 21A907-0113         |
| 6                            | 2             | 499586            | Valve keeper       | Valve keeper         | 21A907-0113         |
| 7                            | 2             | 690964            | Valve retainer     | Valve retainer       | 21A907-0113         |
| 8                            | 1             | 495857            | Valve-intake       | Valve-intake         | 21A907-0113         |
| 9                            | 1             | 690968            | Valve seal         | Valve seal           | 21A907-0113         |
| 10                           | 2             | 691986            | Vipparmsjustering  | Rocker arm adjuster  | 21A907-0113         |
| 11                           | 2             | 691751            | Vipparm            | Rocker arm           | 21A907-0113         |
| 12                           | 2             | 691095            | Stud               | Stud                 | 21A907-0113         |
| 13                           | 1             | 690822            | Stötstangsstyrning | Push rod guide       | 21A907-0113         |
| 14                           | 1             | 272475            | Packning           | Gasket               | 21A907-0113         |
| 15                           | 1             | 273280            | Topplöckspackning  | Cylinder head gasket | 21A907-0113         |
| 16                           | 1             | 692138            | O-ring             | O-ring               | 21A907-0113         |
| 17                           | 1             | 692492            | Ventilkapa         | Rocker cover         | 21A907-0113         |
| 18                           | 4             | 691108            | Skruv              | Screw                | 21A907-0113         |
| 19                           | 1             | 692137            | Packning           | Gasket               | 21A907-0113         |
| 20                           | 1             | 697361            | Insugningsrör      | Intake Manifold      | 21A907-0113         |
| 21                           | 2             | 691148            | Skruv              | Screw                | 21A907-0113         |
| 22                           | 1             | 697394            | Stötstang (insug)  | Push rod (intake)    | 21A907-0146         |
| 22                           | 1             | 697395            | Stötstang (utblas) | Push rod (exhaust)   | 21A907-0113         |
| 23                           | 2             | 690564            | Valve tappet       | Valve tappet         | 21A907-0113         |
| 24                           | 8             | 690360            | Skruv              | Screw                | 21A907-0113         |

A

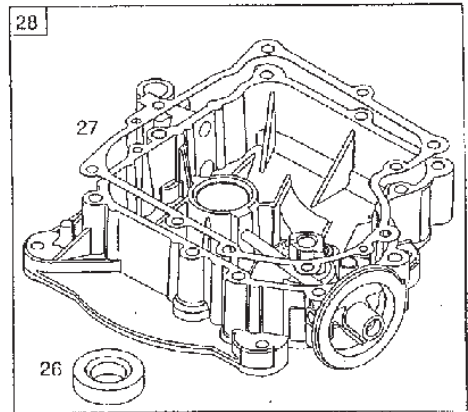
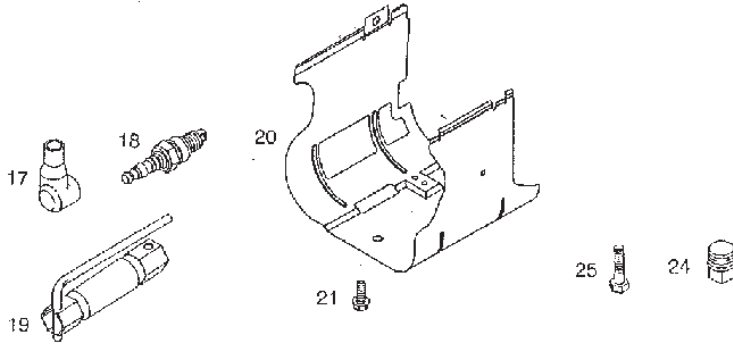
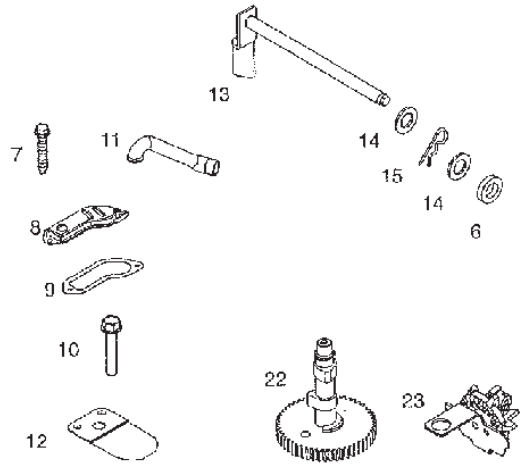
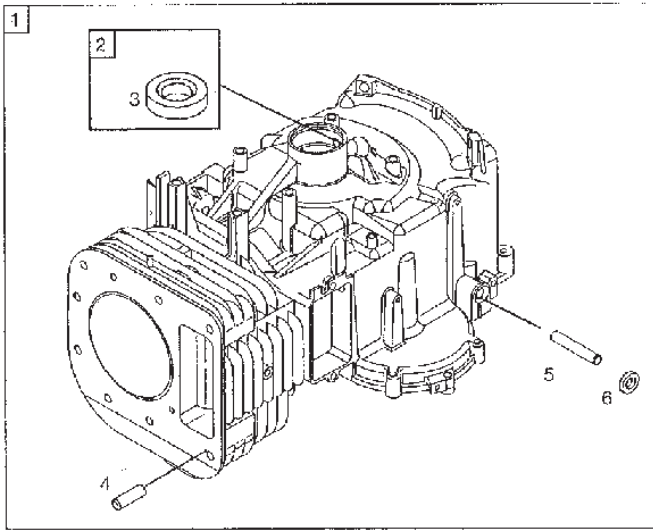


B

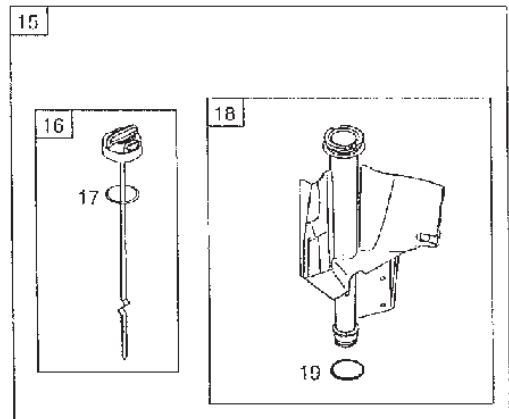
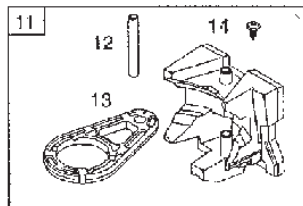
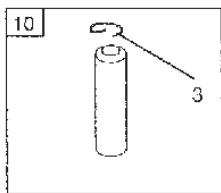
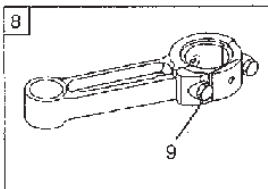
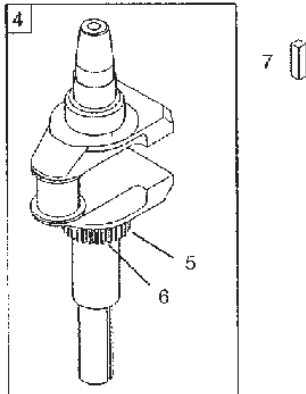
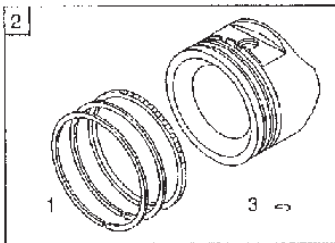


| Utgåva<br>Issue<br>20 - 2015 |               | Cylinder (A) Vevaxel (B) |                   | Cylinder (A) Crankshaft (B) |                               |
|------------------------------|---------------|--------------------------|-------------------|-----------------------------|-------------------------------|
| Pos.<br>Fig.                 | Antal<br>Q.ty | Art nr<br>Part No        | Benämning         | Description                 | Anmärkning<br>Notes           |
| 1                            | 1             | 697377                   | Cylinder kpl      | Cylinder Assy               | 21A907-0113                   |
| 1                            | 1             | 698375                   | Ring set          | Ring set                    | Standard                      |
| 1                            | 1             | 698377                   | Ring set          | Ring set                    | .020" oversize                |
| 1                            | 1             | 698375                   | Ring set          | Ring set                    | Standard _/ 21A907-0113       |
| 1                            | 1             | 698377                   | Ring set          | Ring set                    | .020" oversize _/ 21A907-0113 |
| 2                            | 1             | 399265                   | Bussning          | Bushing                     | 21A907-0113                   |
| 2                            | 1             | 698371                   | Kolv kpl          | Piston Assy                 | Standard                      |
| 2                            | 1             | 698373                   | Kolv kpl          | Piston Assy                 | .020" oversize                |
| 2                            | 1             | 698371                   | Kolv kpl          | Piston Assy                 | Standard _/ 21A907-0113       |
| 2                            | 1             | 698373                   | Kolv kpl          | Piston Assy                 | .020" oversize _/ 21A907-0113 |
| 3                            | 1             | 391086                   | Tätningring       | Seal                        | 21A907-0113                   |
| 3                            | 2             | 698469                   | Lasring           | Lock                        | 21A907-0113                   |
| 4                            | 2             | 690959                   | Tapp              | Locating pin                | 21A907-0113                   |
| 4                            | 1             | 697390                   | Crankshaft        | Crankshaft                  | 21A907-0113                   |
| 5                            | 1             | 697144                   | Bussning          | Bushing                     | 21A907-0113                   |
| 5                            | 1             | 697128                   | Timing gear       | Timing gear                 | 21A907-0113                   |
| 6                            | 1             | 692407                   | Seal              | Seal                        | 21A907-0113                   |
| 6                            | 1             | 691639                   | Kil               | Key                         | 21A907-0113                   |
| 7                            | 2             | 697157                   | Skruv             | Screw                       | 21A907-0113                   |
| 7                            | 1             | 222698                   | Kil               | Key                         | 21A907-0113                   |
| 8                            | 1             | 697112                   | Cover             | Cover                       | 21A907-0113                   |
| 8                            | 1             | 697364                   | Connecting Rod    | Connecting Rod              | 21A907-0113                   |
| 9                            | 1             | 697109                   | Packning          | Gasket                      | 21A907-0113                   |
| 9                            | 2             | 692852                   | Skruv             | Screw                       | 21A907-0113                   |
| 10                           | 1             | 697104                   | Skruv             | Screw                       | 21A907-0113                   |
| 10                           | 1             | 697099                   | Kolvsprint        | Piston Pin                  | 21A907-0113                   |
| 11                           | 1             | 697113                   | Breather Tube     | Breather Tube               | 21A907-0113                   |
| 11                           | 1             | 697391                   | Motvikt           | Counterweight               | 21A907-0113                   |
| 12                           | 1             | 697124                   | Breather reed     | Breather reed               | 21A907-0113                   |
| 12                           | 1             | 697392                   | Stift             | Pin                         | 21A907-0113                   |
| 13                           | 1             | 692012                   | Governor crank    | Governor crank              | 21A907-0113                   |
| 13                           | 1             | 697607                   | Länk              | Link                        | 21A907-0113                   |
| 14                           | 2             | 691691                   | Bricka            | Washer                      | 21A907-0113                   |
| 14                           | 2             | 697156                   | Plugg             | Plug                        | 21A907-0113                   |
| 15                           | 1             | 691620                   | Lasnal            | Cotter pin                  | 21A907-0113                   |
| 15                           | 1             | 697611                   | Oil dipstick assy | Oil dipstick assy           | 21A907-0113                   |
| 16                           | 1             | 697086                   | Oil dipstick      | Oil dipstick                | 21A907-0113                   |
| 17                           | 1             | 691909                   | Spark plug boot   | Spark plug boot             | 21A907-0113                   |
| 17                           | 1             | 691031                   | O-ring            | O-ring                      | 21A907-0113                   |
| 18                           | 1             | 9400-0244-00             | Tändstift         | Spark Plug                  | 21A907-0113                   |
| 18                           | 1             | 697184                   | Oljerör           | Dipstick tube               | 21A907-0113                   |
| 19                           | 1             | 89838                    | Hylsnyckel        | Spark plug wrench           | 21A907-0113                   |
| 19                           | 1             | 691032                   | Tube seal         | Tube seal                   | 21A907-0113                   |
| 20                           | 1             | 697359                   | Cylinder shield   | Cylinder shield             | 21A907-0113                   |
| 21                           | 1             | 691003                   | Skruv             | Screw                       | 21A907-0113                   |
| 22                           | 1             | 699016                   | Kamaxel           | Camshaft                    | 21A907-0113                   |

A

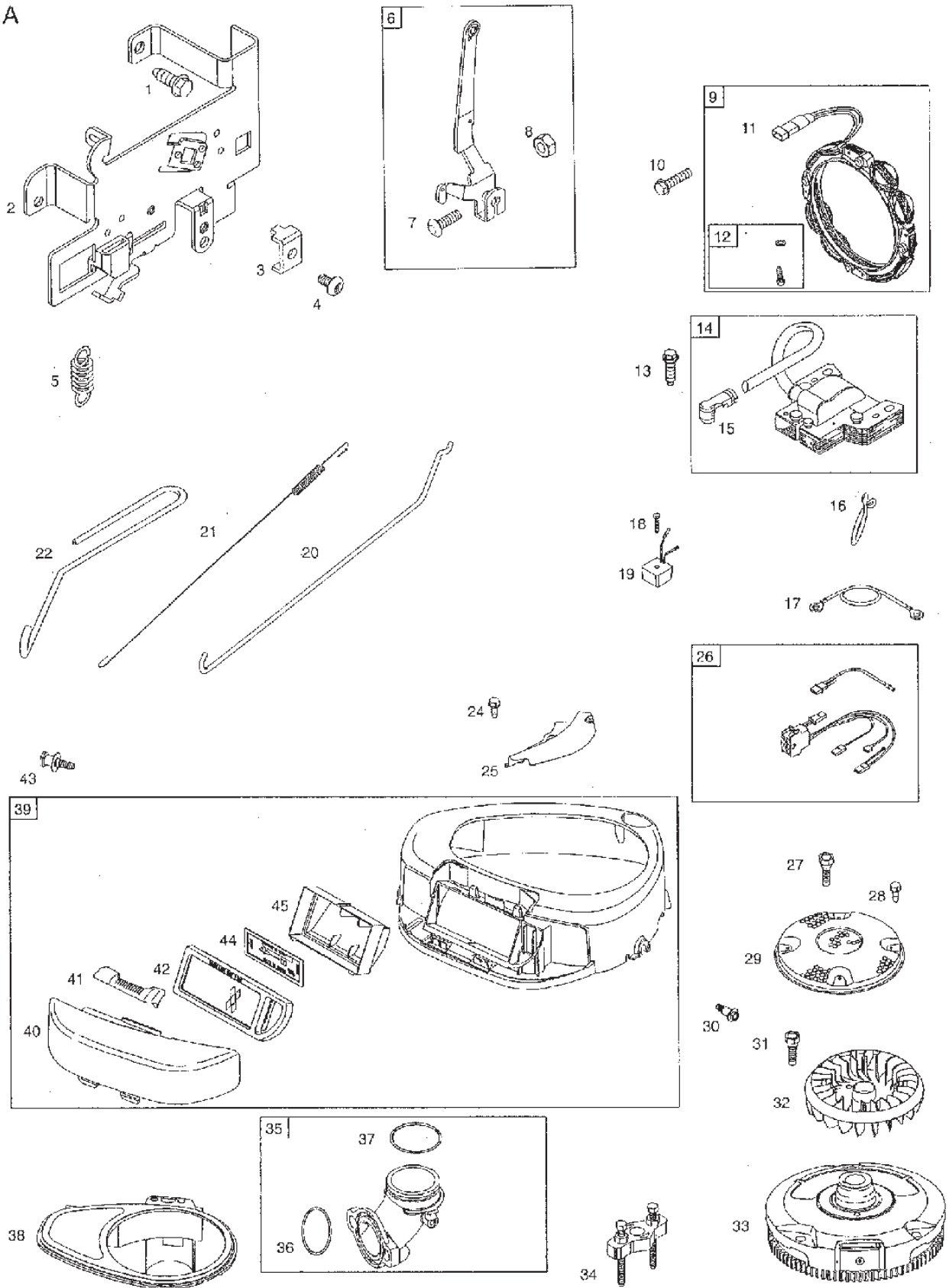


B



| Utgåva<br>Issue<br>20 - 2015 |               | Cylinder (A) Vevaxel (B)<br>Cylinder (A) Crankshaft (B) |                |                |                     |
|------------------------------|---------------|---|----------------|----------------|---------------------|
| Pos.<br>Fig.                 | Antal<br>Q.ty | Art nr<br>Part No                                       | Benämning      | Description    | Anmärkning<br>Notes |
| 23                           | 1             | 691968  | Oil slinger    | Oil slinger    | 21A907-0113         |
| 24                           | 1             | 690946  | Oil drain plug | Oil drain plug | 21A907-0113         |
| 25                           | 10            | 692125  | Skruv          | Screw          | 21A907-0113         |
| 26                           | 1             | 690947  | Oil seal       | Oil seal       | 21A907-0113         |
| 27                           | 1             | 697110  | Packning       | Gasket         | 21A907-0113         |
| 28                           | 1             | 697106  | Oljesump       | Engine sump    | 21A907-0113         |

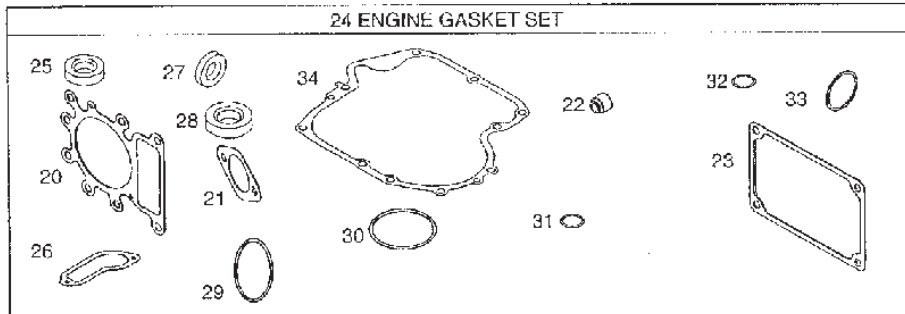
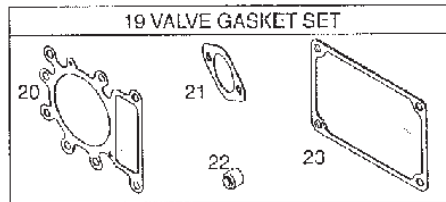
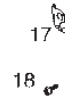
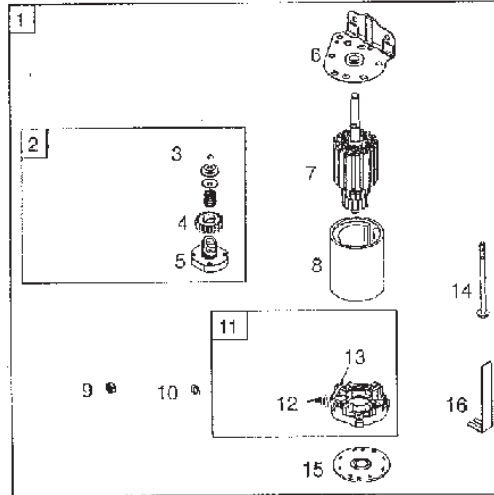
A





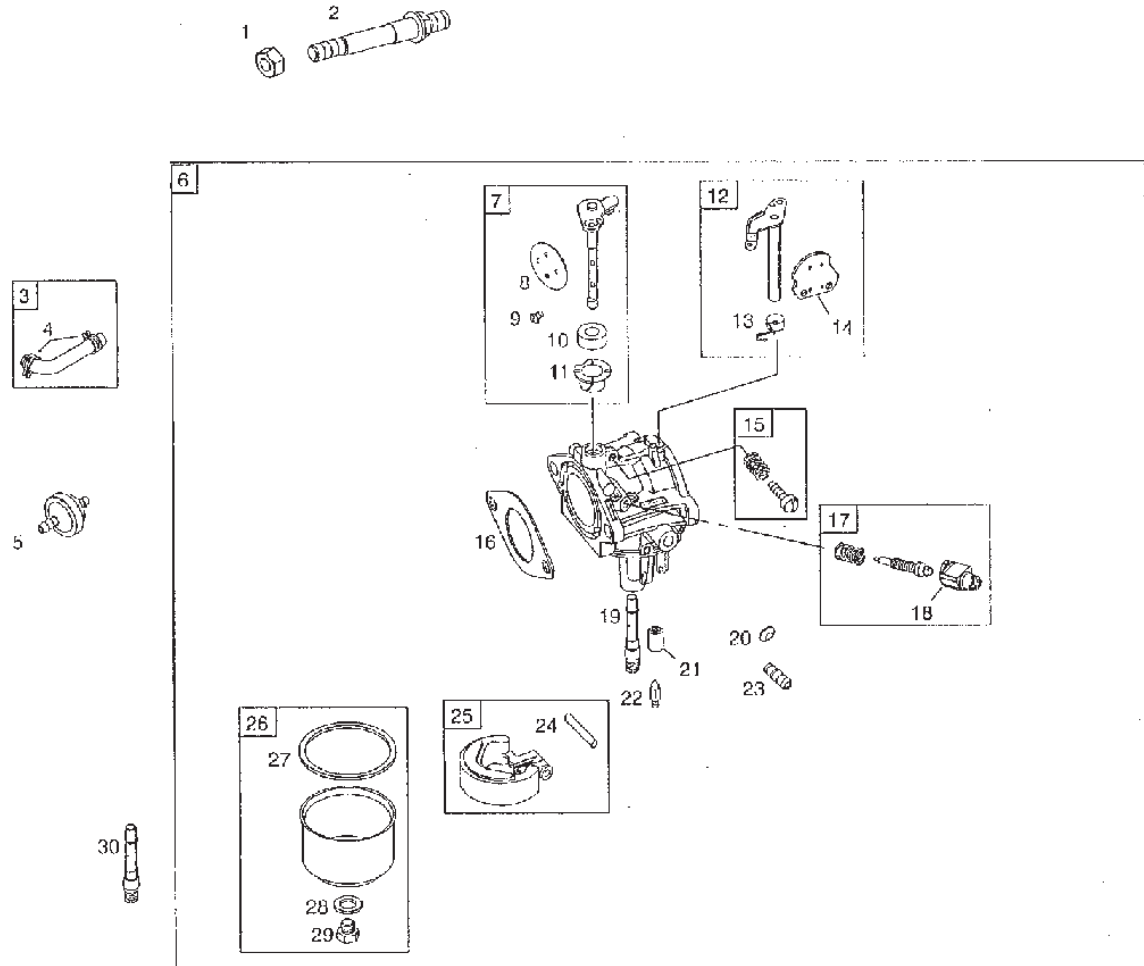
| Utgåva<br>Issue<br>20 - 2015 |               | Regulator (A) Fläkthus (A) |                  | Governor (A) Blower Housing (A) |                     |
|------------------------------|---------------|----------------------------|------------------|---------------------------------|---------------------|
| Pos.<br>Fig.                 | Antal<br>Q.ty | Art nr<br>Part No          | Benämning        | Description                     | Anmärkning<br>Notes |
| 1                            | 2             | 691693                     | Skruv            | Screw                           |                     |
| 2                            | 1             | 694042                     | Fäste            | Control Bracket                 |                     |
| 3                            | 1             | 691024                     | Clamp            | Clamp                           |                     |
| 4                            | 1             | 690804                     | Skruv            | Screw                           |                     |
| 5                            | 1             | 690480                     | Regulatorfjäder  | Governor Spring                 |                     |
| 5                            | 1             | 691795                     | Regulatorfjäder  | Governor Spring                 | 21A907-0113         |
| 6                            | 1             | 691374                     | Governor lever   | Governor lever                  |                     |
| 7                            | 1             | 691119                     | Bult             | Bolt                            |                     |
| 8                            | 1             | 691251                     | Mutter           | Nut                             |                     |
| 9                            | 1             | 696457                     | Generator        | Alternator                      |                     |
| 10                           | 4             | 691183                     | Skruv            | Screw                           |                     |
| 11                           | 1             | 393537                     | Anslutning       | Connector                       |                     |
| 12                           | 1             | 698516                     | Bricka           | Washer                          |                     |
| 13                           | 2             | 691061                     | Skruv            | Screw                           |                     |
| 14                           | 1             | 492341                     | Armature magneto | Armature magneto                |                     |
| 15                           | 1             | 493880                     | Terminal         | Terminal                        |                     |
| 16                           | 1             | 694123                     | Wire clip        | Wire clip                       |                     |
| 17                           | 1             | 697089                     | Stop wire        | Stop wire                       |                     |
| 18                           | 1             | 697088                     | Skruv            | Screw                           |                     |
| 19                           | 1             | 691188                     | Regulator        | Regulator                       |                     |
| 20                           | 1             | 691841                     | Governor link    | Governor link                   |                     |
| 21                           | 1             | 691842                     | Fjäder           | Spring                          |                     |
| 22                           | 1             | 691840                     | Choke link       | Choke link                      |                     |
| 24                           | 2             | 691003                     | Skruv            | Screw                           |                     |
| 25                           | 1             | 697352                     | Guard            | Guard                           |                     |
| 26                           | 1             | 698329                     | Kabelhärva       | Wiring harness                  |                     |
| 27                           | 1             | 698139                     | Skruv            | Screw                           |                     |
| 28                           | 4             | 697897                     | Skruv            | Screw                           |                     |
| 29                           | 1             | 697133                     | Roterande skydd  | Rotating screen                 |                     |
| 30                           | 2             | 697102                     | Skruv            | Screw                           |                     |
| 31                           | 2             | 690372                     | Skruv            | Screw                           |                     |
| 32                           | 1             | 699044                     | Fan              | Fan                             |                     |
| 33                           | 1             | 698282                     | Flywheel         | Flywheel                        |                     |
| 34                           | 1             | 19203                      | Avdragare        | Puller                          |                     |
| 35                           | 1             | 697122                     | Insugningsrör    | Intake elbow                    |                     |
| 36                           | 1             | 691917                     | O-ring           | O-ring                          |                     |
| 37                           | 1             | 697123                     | O-ring           | O-ring                          |                     |
| 38                           | 1             | 698368                     | Trim plate       | Trim plate                      |                     |
| 39                           | 1             | 697870                     | Blower housing   | Blower housing                  |                     |
| 40                           | 1             | 697420                     | Cover            | Cover                           |                     |
| 41                           | 1             | 697419                     | Spärr            | Latch                           |                     |
| 42                           | 1             | 698413                     | Luftfilter       | Air Cleaner Filter              |                     |
| 43                           | 1             | 697103                     | Skruv            | Screw                           |                     |
| 44                           | 1             | 697292                     | Förfilter        | Pre-cleaner filter              |                     |
| 45                           | 1             | 697155                     | Retainer         | Retainer                        |                     |

A



| Utgåva<br>Issue<br>20 - 2015 |               | Startmotor (A) Packningssats (A) |                     | Starter Motor (A) Gasket Set (A) |                     |
|------------------------------|---------------|----------------------------------|---------------------|----------------------------------|---------------------|
| Pos.<br>Fig.                 | Antal<br>Q.ty | Art nr<br>Part No                | Benämning           | Description                      | Anmärkning<br>Notes |
| 1                            | 1             | 693551                           | Starter motor assy  | Starter motor assy               |                     |
| 2                            | 1             | 693699                           | Startdrev           | Starter Drive                    |                     |
| 3                            | 1             | 691265                           | Retaining ring      | Retaining ring                   |                     |
| 4                            | 1             | 693713                           | Drev                | Pinion gear                      |                     |
| 5                            | 1             | 692024                           | Koppling            | Drive clutch                     |                     |
| 6                            | 1             | 691283                           | Lock                | Drive cap                        |                     |
| 7                            | 1             | 692034                           | Armature            | Armature                         |                     |
| 8                            | 1             | 693757                           | Starter housing     | Starter housing                  |                     |
| 9                            | 1             | 691029                           | Mutter              | Nut                              |                     |
| 10                           | 1             | 691261                           | Bricka              | Washer                           |                     |
| 11                           | 1             | 691293                           | Brush retainer      | Brush retainer                   |                     |
| 12                           | 1             | 693167                           | Mutter              | Nut                              |                     |
| 13                           | 1             | 497608                           | Brush set           | Brush set                        |                     |
| 14                           | 2             | 690323                           | Bult                | Bolt                             |                     |
| 15                           | 1             | 691286                           | Botten              | End Cap                          |                     |
| 16                           | 1             | 691532                           | Strap               | Strap                            |                     |
| 17                           | 1             | 691224                           | Wire clip           | Wire clip                        |                     |
| 18                           | 1             | 690372                           | Skruv               | Screw                            |                     |
| 19                           | 1             | 691581                           | Packningssats-motor | Gasket set-valve                 |                     |
| 20                           | 1             | 273280                           | Topplöckspackning   | Cylinder head gasket             |                     |
| 21                           | 1             | 692137                           | Packning            | Gasket                           |                     |
| 22                           | 1             | 690968                           | Valve seal          | Valve seal                       |                     |
| 23                           | 1             | 272475                           | Packning            | Gasket                           |                     |
| 24                           | 1             | 697151                           | Packningssats-motor | Gasket set-engine                |                     |
| 25                           | 1             | 391086                           | Tätningring         | Seal                             |                     |
| 26                           | 1             | 697109                           | Packning            | Gasket                           |                     |
| 27                           | 1             | 692407                           | Seal                | Seal                             |                     |
| 28                           | 1             | 690947                           | Oil seal            | Oil seal                         |                     |
| 29                           | 1             | 691917                           | O-ring              | O-ring                           |                     |
| 30                           | 1             | 697123                           | O-ring              | O-ring                           |                     |
| 31                           | 1             | 691032                           | Tube seal           | Tube seal                        |                     |
| 32                           | 1             | 691031                           | O-ring              | O-ring                           |                     |
| 33                           | 1             | 692138                           | O-ring              | O-ring                           |                     |
| 34                           | 1             | 697110                           | Packning            | Gasket                           |                     |

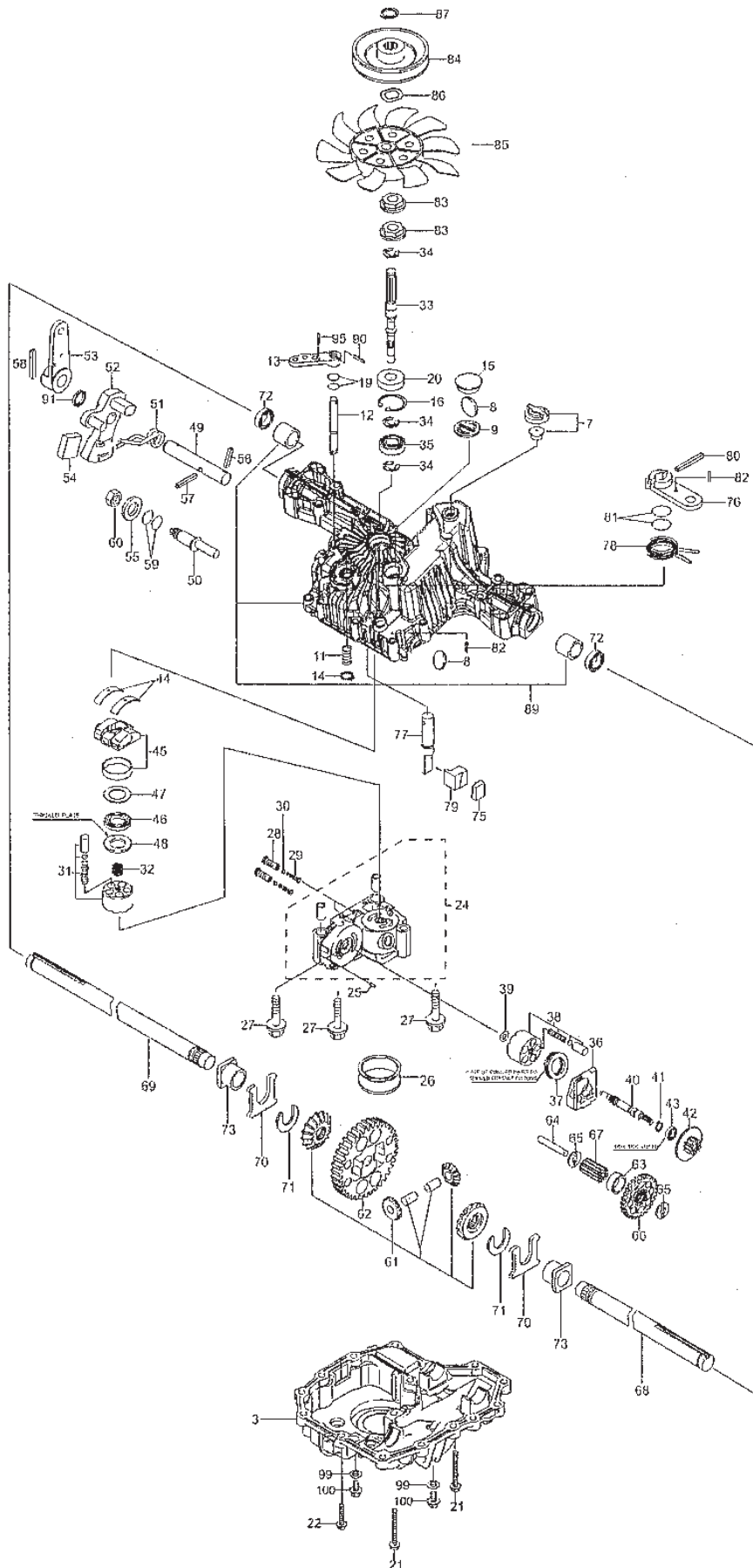
A



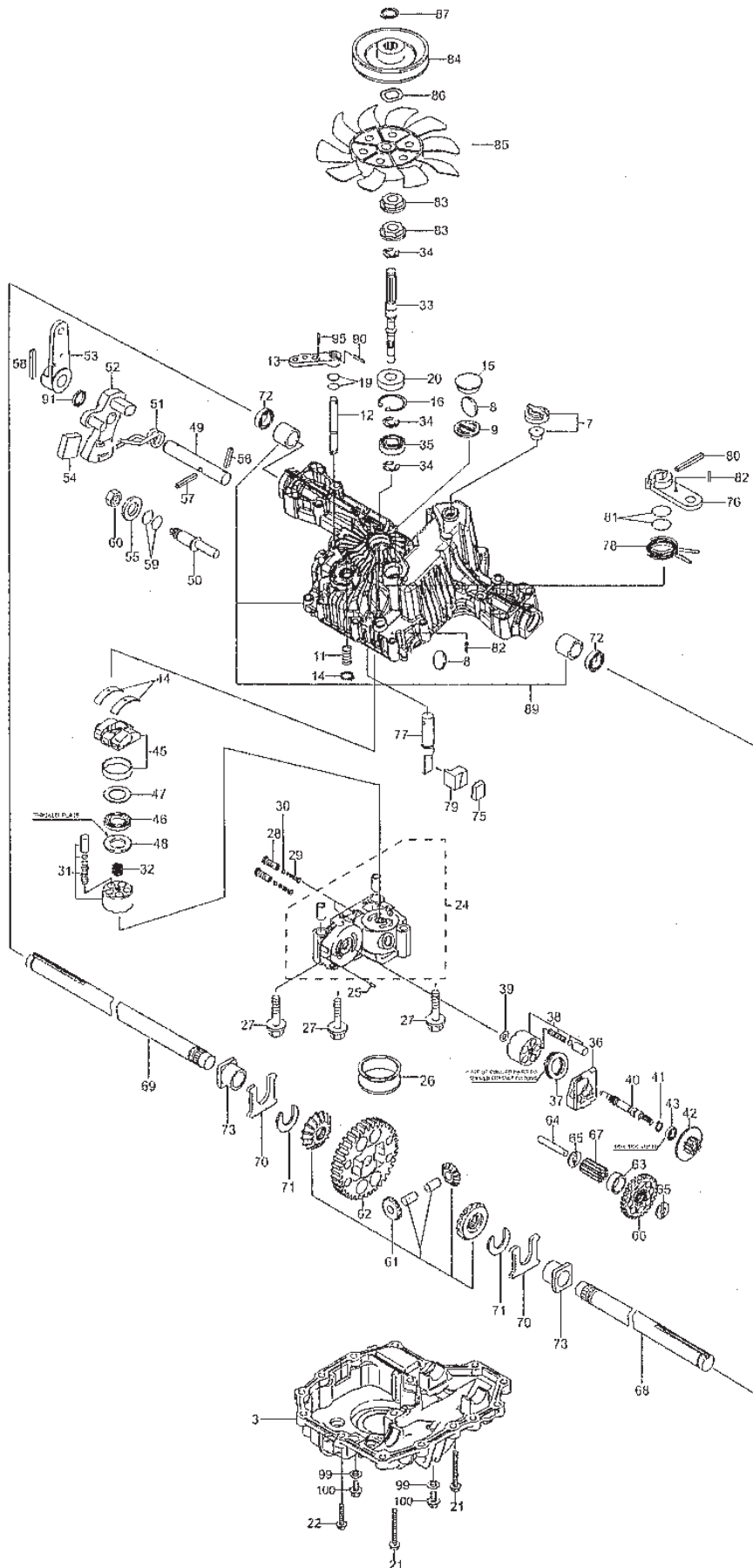
| 31 CARBURETOR OVERHAUL KIT |    |    |    |
|----------------------------|----|----|----|
| 16                         | 22 | 27 | 10 |
| 11                         | 21 | 19 | 32 |
| 9                          | 20 | 26 | 33 |
| 24                         |    |    |    |



| Utgåva<br>Issue<br>20 - 2015 |               | Förgasare (A) Packningssats (A) |                   | Carburettor (A) Gasket Set (A) |                     |
|------------------------------|---------------|---------------------------------|-------------------|--------------------------------|---------------------|
| Pos.<br>Fig.                 | Antal<br>Q.ty | Art nr<br>Part No               | Benämning         | Description                    | Anmärkning<br>Notes |
| 1                            | 2             | 690958                          | Mutter            | Nut                            |                     |
| 2                            | 2             | 690227                          | Stud              | Stud                           |                     |
| 3                            | 1             | 699331                          | Fuel line         | Fuel line                      |                     |
| 4                            | 2             | 95162                           | Slangklämma       | Hose clamp                     |                     |
| 5                            | 1             | 394358                          | Bränslefilter     | Fuel filter                    |                     |
| 6                            | 1             | 790019                          | Förgasare kpl     | Carburettor Assy               |                     |
| 7                            | 1             | 790175                          | Spjällsaxeln      | Throttle Shaft                 |                     |
| 8                            | 1             | 790024                          | Gasspjäll         | Throttle Valve                 |                     |
| 9                            | 1             | 691636                          | Skruv             | Screw                          |                     |
| 10                           | 1             | 691326                          | Shaft seal        | Shaft seal                     |                     |
| 11                           | 1             | 690602                          | Shaft bushing     | Shaft bushing                  |                     |
| 12                           | 1             | 699027                          | Choke shaft       | Choke shaft                    |                     |
| 13                           | 1             | 690802                          | Spring and seal   | Spring and seal                |                     |
| 14                           | 1             | 691227                          | Choke valve       | Choke valve                    |                     |
| 15                           | 1             | 495800                          | Skruv             | Screw                          |                     |
| 16                           | 1             | 692137                          | Packning          | Gasket                         |                     |
| 17                           | 1             | 498030                          | Nalventil         | Needle valve                   |                     |
| 18                           | 1             | 691333                          | Begränsningshuv   | Limiter cap                    |                     |
| 19                           | 1             | 790025.                         | Nozzle            | Nozzle                         | Standard            |
| 20                           | 1             | 694524                          | Welch plug        | Welch plug                     |                     |
| 21                           | 1             | 690577                          | Säte              | Inlet seat                     |                     |
| 22                           | 1             | 231855                          | Nalventil         | Inlet needle valve             |                     |
| 23                           | 1             | 698174                          | Nippel            | Hose connector                 |                     |
| 24                           | 1             | 690525                          | Flottörxel        | Float hinge pin                |                     |
| 25                           | 1             | 494381                          | Flottör           | Float                          |                     |
| 26                           | 1             | 495933                          | Bowl              | Bowl                           |                     |
| 27                           | 1             | 281165                          | Packning          | Gasket                         |                     |
| 28                           | 1             | 692255                          | Bricka            | Washer                         |                     |
| 29                           | 1             | 691657                          | Skruv             | Screw                          |                     |
| 30                           | 1             | 790028                          | Nozzle            | Nozzle                         | High altitude       |
| 31                           | 1             | 790031.                         | Carb.overhaul kit | Carb.overhaul kit              |                     |
| 32                           | 1             | 691917                          | O-ring            | O-ring                         |                     |
| 33                           | 1             | 697123                          | O-ring            | O-ring                         |                     |

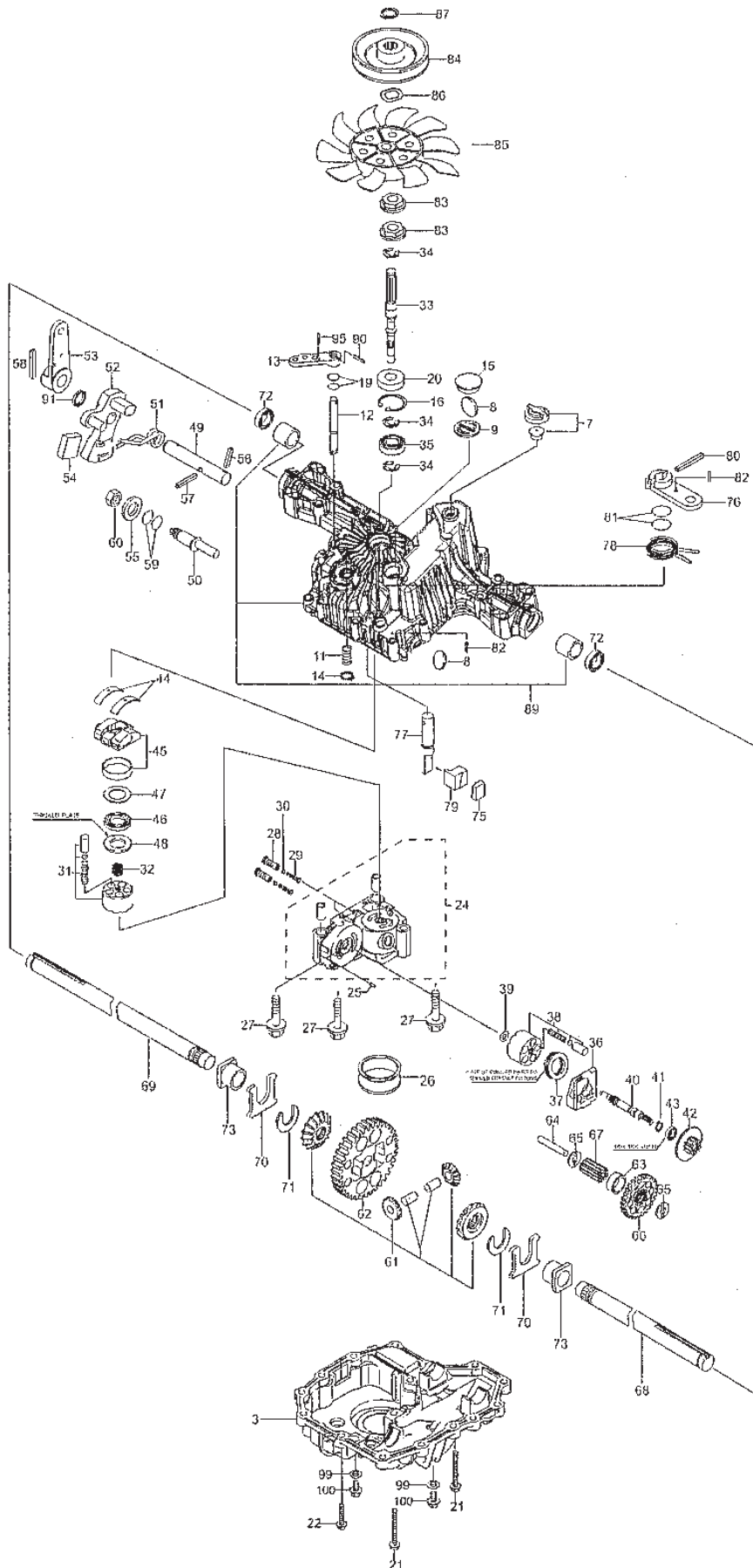


| Utgåva<br>Issue<br>20 - 2015 |               | Kanzaki Transaxel K46Ag |                   | Kanzaki Transaxle K46Ag |                               |
|------------------------------|---------------|-------------------------|-------------------|-------------------------|-------------------------------|
| Pos.<br>Fig.                 | Antal<br>Q.ty | Art nr<br>Part No       | Benämning         | Description             | Anmärkning<br>Notes           |
| 3                            | 1             | 1139-1321-01            | Nedre Hus         | Lower Housing           | /K46 AG/                      |
| 7                            | 1             | 1139-0224-01            | Vent valve assy   | Vent valve assy         | /K46 AG/                      |
| 8                            | 2             | 1139-1150-01            | Magnet            | Magnet                  |                               |
| 9                            | 1             | 1139-1341-01            | Magnethallare     | Magnet Holder           | /K46 AG/                      |
| 11                           | 1             | 1139-1028-01            | Fjäder            | Spring                  | s/n 004000-008463/<br>K46 AG/ |
| 11                           | 1             | 1139-1347-01            | Fjäder            | Spring                  | s/n 008465-/K46 AG/           |
| 12                           | 1             | 1139-1251-01            | Axel              | By-Pass Shaft           | /K46 AG/                      |
| 12                           | 1             | 1139-1324-01            | Axel Bypass       | Shaft Bypass            | /K46 AG/                      |
| 13                           | 1             | 1139-1189-01            | Arm               | By-Pass Lever           | /K46 AG/                      |
| 14                           | 1             | 1139-1161-01            | Lasring           | Ring                    | /K46 AG/                      |
| 15                           | 1             | 1139-1275-01            | Plugg             | Bore Plug               | /K46 AG/                      |
| 16                           | 1             | 1139-1104-01            | Lasring           | Snap Ring               | /K46 AG/                      |
| 19                           | 2             | 1139-1117-01            | O-Ring            | O-Ring                  |                               |
| 20                           | 1             | 1139-1119-01            | Tätning           | Seal 15*35*7            | /K46 AG/                      |
| 21                           | 2             | 1139-1295-01            | Skruv             | Screw                   |                               |
| 22                           | 14            | 1139-0244-01            | Skruv             | Screw                   |                               |
| 24                           | 1             | 1139-1340-01            | Centrumhus        | Center Case             | /K46 AG/                      |
| 25                           | 1             | 1139-1158-01            | Stift             | Pin                     | /K46 AG/                      |
| 26                           | 1             | 1139-1334-01            | Filter            | Filter                  | /K46 AG/                      |
| 27                           | 3             | 1139-1294-01            | Bult              | Bolt                    |                               |
| 28                           | 2             | 1139-1339-01            | Ventil            | Valve Ids               |                               |
| 29                           | 2             | 1139-1338-01            | Fjäder            | Spring                  |                               |
| 30                           | 2             | 1139-1346-01            | Kula              | Ball                    |                               |
| 31                           | 1             | 1139-1159-01            | Cylinderblock Kpl | Cylinder Block Cmp      | /K46 AG/                      |
| 31                           | 1             | 1139-1356-01            | Cylinderblock Kpl | Cylinder Block Kit      | /K46 AG/                      |
| 32                           | 1             | 1139-1245-01            | Fjäder            | Pump Spring             | /K46 AG/                      |
| 33                           | 1             | 1139-1246-01            | Pumpaxel          | Pump Shaft              | /K46 AG/                      |
| 34                           | 3             | 1139-1146-01            | Lasring           | Ring                    |                               |
| 35                           | 1             | 1139-1110-01            | Kullager          | Ball Bearing            | /K46 AG/                      |
| 36                           | 1             | 1139-1157-01            | Hus               | Housing                 | /K46 AG/                      |
| 37                           | 1             | 1139-1054-01            | Lager             | Bearing                 | /K46 AG/                      |
| 38                           | 1             | 1139-1139-01            | Cylinderblock Kpl | Cylinder Block Assy     | /K46 AG/                      |
| 39                           | 1             | 1139-1160-01            | Bricka            | Washer                  | /K46 AG/                      |
| 40                           | 1             | 1139-1247-01            | Motoraxel         | Motor Shaft             | s/n 004000-008463/<br>K46 AG/ |
| 40                           | 1             | 1139-1353-01            | Motoraxel         | Motor Shaft             | s/n 008465-/K46 AG/           |
| 41                           | 1             | 1139-1021-01            | Lasring           | Snap Ring               | /K46 AG/                      |
| 42                           | 1             | 1139-1272-01            | Motordrev         | Motor Gear              | /K46 AG/                      |
| 43                           | 1             | 1139-1286-01            | Kullager          | Ball Bearing            | /K46 AG/                      |
| 44                           | 2             | 1139-1066-01            | Tryckplatta       | Use 1139-1141-01        |                               |
| 45                           | 1             | 1139-1067-01            | Stänklatta Kpl    | Swash Plate Assy        | s/n -013937/K46 AG/           |
| 45                           | 1             | 1139-1359-01            | Stänklatta        | Swash Plate             | s/n 013938-/K46 AG/           |
| 46                           | 1             | 1139-1068-01            | Lager             | Bearing                 | s/n -013937/K46 AG/           |
| 46                           | 1             | 1139-1362-01            | Lager             | Bearing                 | s/n 013938-/K46 AG/           |
| 47                           | 1             | 1139-1070-01            | Tryckplatta       | Thrust Plate            | s/n -013937/K46 AG/           |
| 48                           | 1             | 1139-1069-01            | Tryckplatta       | Thrust Plate            | s/n -013937/K46 AG/           |
| 49                           | 1             | 1139-1315-01            | Regleraxel        | Control Shaft           | s/n 004000-006773/<br>K46 AG/ |

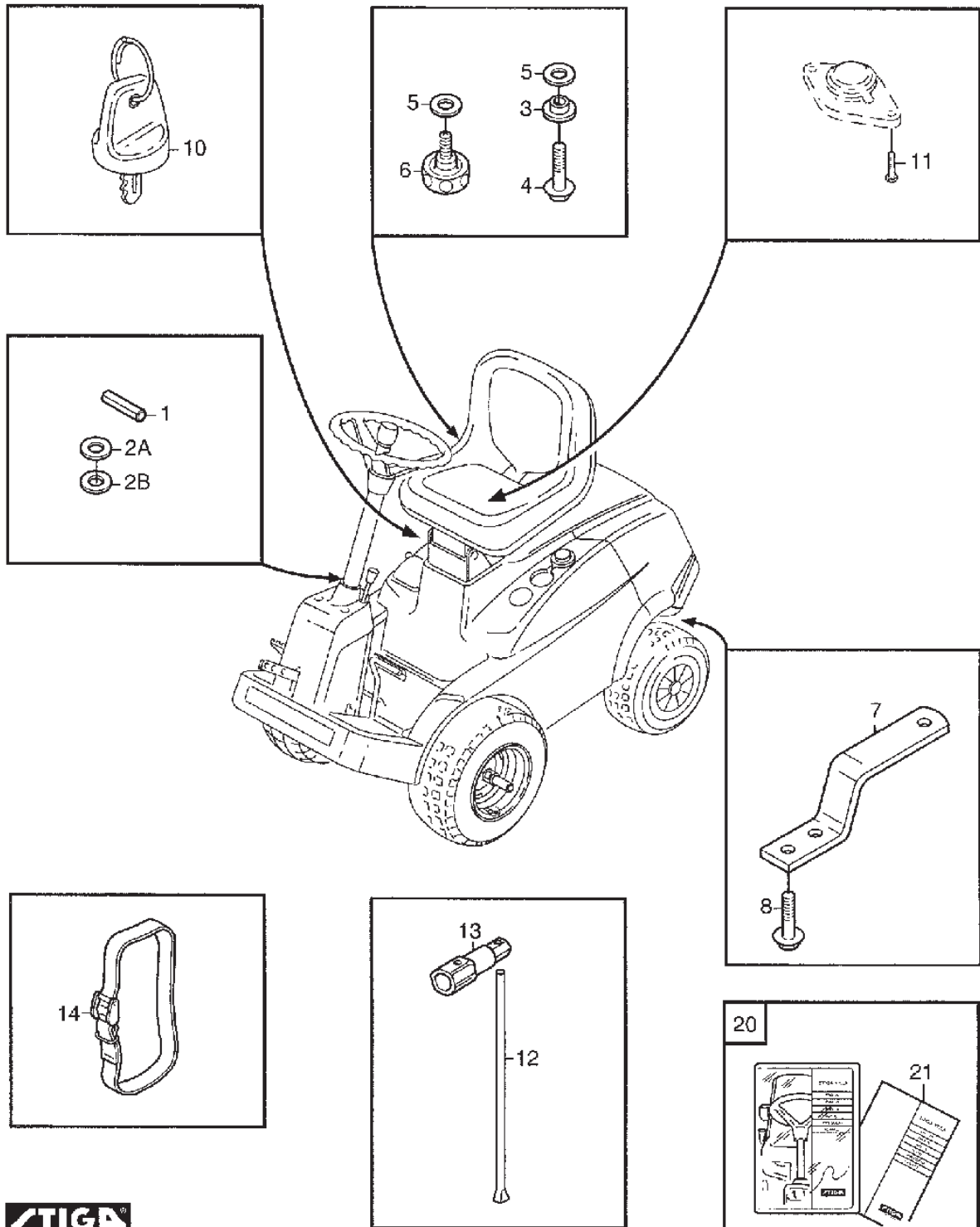




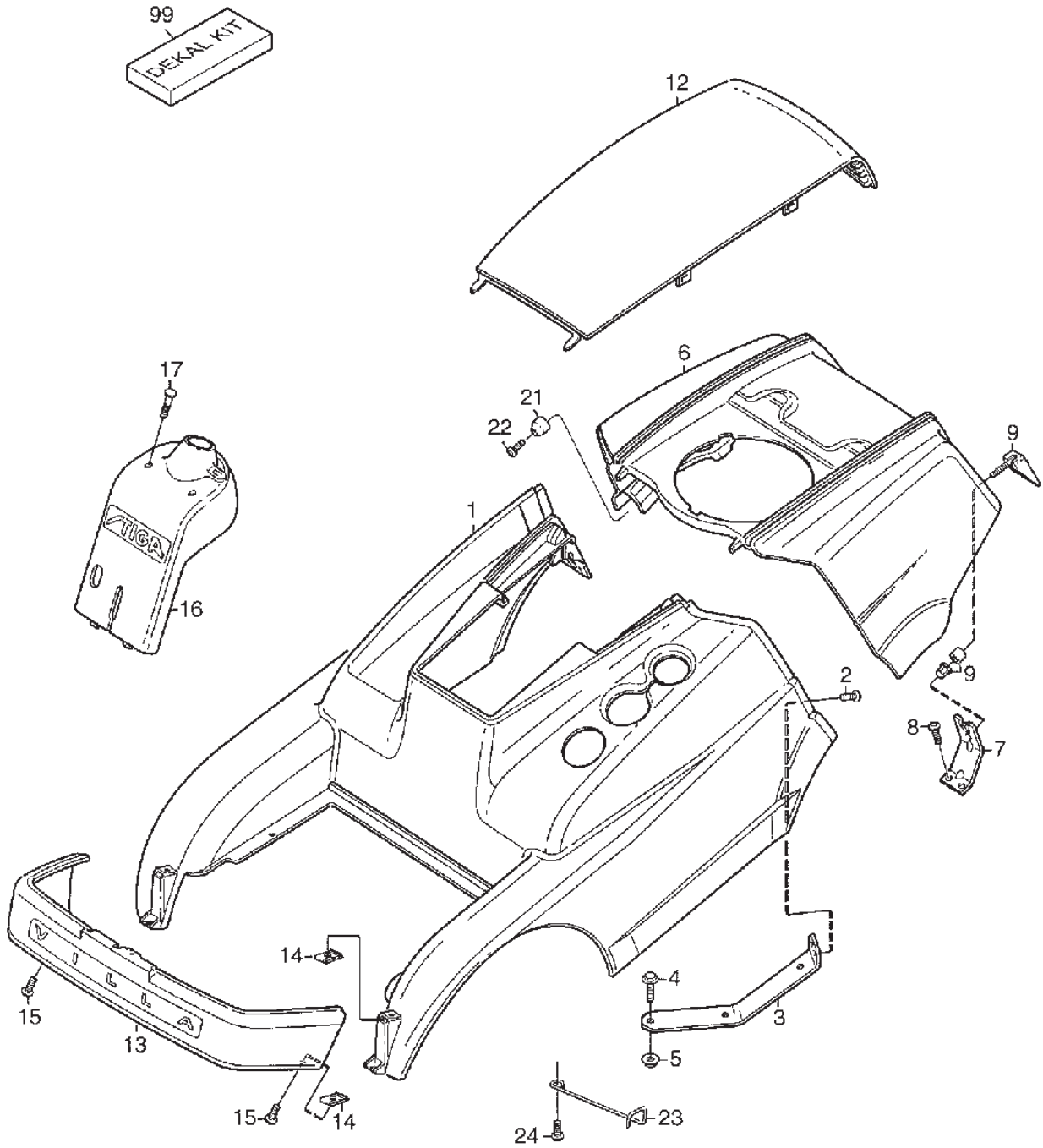
| Utgåva<br>Issue<br>20 - 2015 |               | Kanzaki Transaxel K46Ag |                      | Kanzaki Transaxle K46Ag |                               |
|------------------------------|---------------|-------------------------|----------------------|-------------------------|-------------------------------|
| Pos.<br>Fig.                 | Antal<br>Q.ty | Art nr<br>Part No       | Benämning            | Description             | Anmärkning<br>Notes           |
| 49                           | 1             | 1139-1354-01            | Regleraxel           | Control Shaft           | s/n 006774-/K46 AG/           |
| 50                           | 1             | 1139-1190-01            | Vridcentrum          | Fulcrum (Eccentricity)  | s/n -003999/K46 AG/           |
| 50                           | 1             | 1139-1316-01            | Vridcentrum          | Fulcrum Eccentricity    | s/n 004000-/K46 AG/           |
| 51                           | 1             | 1139-1312-01            | Vridfjäder           | Torsion Spring          | /K46 AG/                      |
| 52                           | 1             | 1139-1314-01            | Reglerarm            | Control Arm             | /K46 AG/                      |
| 53                           | 1             | 1139-1325-01            | Reglerarm            | Control Lever           | /K46 AG/                      |
| 54                           | 1             | 1139-1250-01            | Ryckplatta           | Jerky Plate             | /K46 AG/                      |
| 55                           | 1             | 1139-1102-01            | Bricka               | Washer                  | /K46 AG/                      |
| 56                           | 1             | 1139-1327-01            | Stift                | Pin                     | s/n 004000-006773/<br>K46 AG/ |
| 56                           | 1             | 1139-1355-01            | LasSprint            | Cotter Pin              | s/n 006774-/K46 AG/           |
| 57                           | 1             | 1139-1329-01            | Stift                | Pin                     | /K46 AG/                      |
| 58                           | 1             | 1139-1285-01            | Stift                | Pin                     | /K46 AG/                      |
| 59                           | 2             | 1139-1115-01            | O-Ring               | O-Ring                  |                               |
| 60                           | 1             | 1139-1127-01            | Mutter               | Nut                     | /K46 AG/                      |
| 61                           | 1             | 1139-1162-01            | Differentialdrev Kpl | Diff.Gear Kit           | /K46 AG/                      |
| 62                           | 1             | 1139-1258-01            | Slutdrev             | Final Gear              | /K46 AG/                      |
| 63                           | 1             | 1139-1255-01            | Hylsa                | Collar                  | /K46 AG/                      |
| 64                           | 1             | 1139-1256-01            | reduktionsaxel       | Reduction Shaft         | /K46 AG/                      |
| 65                           | 2             | 1139-1257-01            | Bricka               | Washer                  |                               |
| 66                           | 1             | 1139-1267-01            | Reduktionsdrev       | Reduction Gear          | /K46 AG/                      |
| 67                           | 1             | 1139-1259-01            | Slutdrev             | Final Pinion            | s/n -013064/K46 AG/           |
| 67                           | 1             | 1139-1361-01            | Slutdrev             | Final Pinion Gear       | s/n 013065-/K46 AG/           |
| 68                           | 1             | 1139-1269-01            | Hjulaxel Vä          | Axle Shaft Left         | s/n 000001-003999/<br>K46 AG/ |
| 68                           | 1             | 1139-1342-01            | Hjulaxel-Vä          | Axle Shaft-L            | s/n 004000-/K46 AG/           |
| 69                           | 1             | 1139-1270-01            | Hjulaxel Hö          | Axle Shaft Right        | /K46 AG/                      |
| 69                           | 1             | 1139-1343-01            | Hjulaxel-Hö          | Axle Shaft-R            | /K46 AG/                      |
| 70                           | 2             | 1139-1078-01            | Bricka               | Thrust Washer           |                               |
| 71                           | 2             | 1139-1163-01            | Lasring              | Ring                    |                               |
| 72                           | 2             | 1139-1080-01            | Tätning              | Seal 19*32*8            |                               |
| 73                           | 2             | 1139-1164-01            | Bussning             | Bushing                 |                               |
| 75                           | 1             | 1139-1260-01            | Bromssko             | Brake Shoe              | /K46 AG/                      |
| 76                           | 1             | 1139-1261-01            | Bromsarm             | Brake Arm               | /K46 AG/                      |
| 77                           | 1             | 1139-1320-01            | Bromsaxel            | Brake Shaft             | /K46 AG/                      |
| 78                           | 1             | 1139-1263-01            | Returfjäder          | Return Spring           | /K46 AG/                      |
| 79                           | 1             | 1139-1264-01            | Tryckplatta          | Brake Actuator          | /K46 AG/                      |
| 80                           | 1             | 1139-1282-01            | Stift                | Pin                     | /K46 AG/                      |
| 81                           | 2             | 1139-1114-01            | O-Ring               | O-Ring                  |                               |
| 82                           | 2             | 1139-1281-01            | Stift                | Pin                     |                               |
| 83                           | 2             | 1139-1248-01            | Krage                | Spline Collar           |                               |
| 84                           | 1             | 1139-1309-01            | Remskiva             | Pulley                  | /K46 AG/                      |
| 85                           | 1             | 1134-4190-01            | Fläkt                | Fan                     | /K46 AG/                      |
| 86                           | 1             | 1139-1266-01            | Bricka               | Washer                  | /K46 AG/                      |
| 87                           | 1             | 1139-1149-01            | Lasring              | Snap Ring               | /K46 AG/                      |
| 89                           | 1             | 1139-1351-01            | Övre Hus             | Upper Case Kit          | /K46 AG/                      |
| 90                           | 1             | 1139-1280-01            | Stift                | Pin                     | /K46 AG/                      |
| 91                           | 1             | 1139-1303-01            | Tätning              | Seal Ring               | /K46 AG/                      |
| 95                           | 1             | 1139-1279-01            | Stift                | Pin                     | /K46 AG/                      |



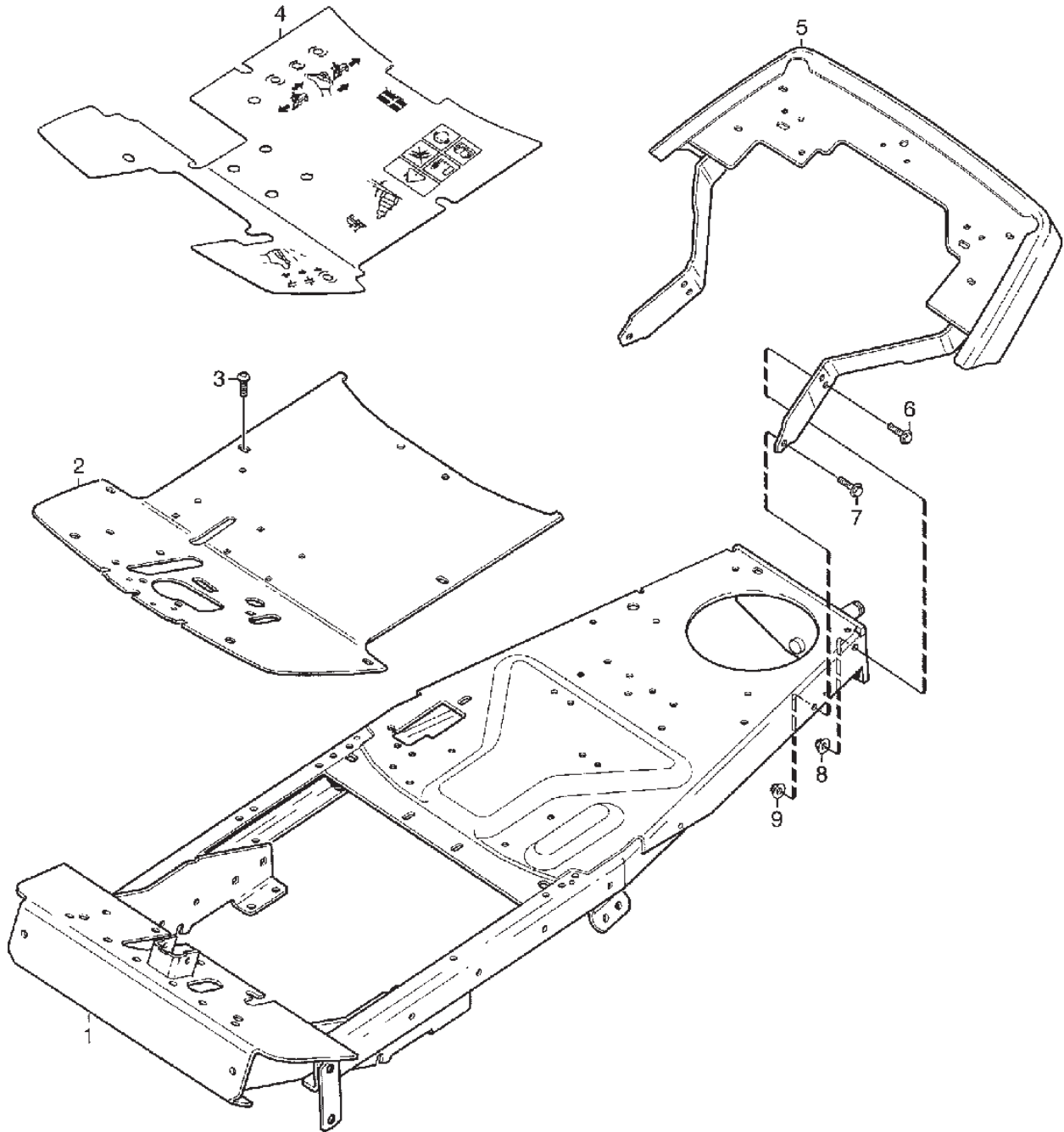
| Utgåva<br>Issue<br>20 - 2015 |               | Kanzaki Transaxel K46Ag |           | Kanzaki Transaxle K46Ag |                     |
|------------------------------|---------------|-------------------------|-----------|-------------------------|---------------------|
| Pos.<br>Fig.                 | Antal<br>Q.ty | Art nr<br>Part No       | Benämning | Description             | Anmärkning<br>Notes |
| 99                           | 2             | 1139-1103-01            | Bricka    | Washer                  |                     |
| 100                          | 2             | 1139-1123-01            | Bult      | Bolt                    |                     |



| Utgåva<br>Issue<br>20 - 2015 |               | Monteringdetaljer |                                   | Accessory Bag                   |                     |
|------------------------------|---------------|-------------------|-----------------------------------|---------------------------------|---------------------|
| Pos.<br>Fig.                 | Antal<br>Q.ty | Art nr<br>Part No | Benämning                         | Description                     | Anmärkning<br>Notes |
| 0                            | 1             | 1134-4664-05      | Tillbehörspåse                    | Accessory Bag                   |                     |
| 1                            | 1             | 9595-0262-00      | Spännstift                        | Locating Pin                    |                     |
| 2                            | 1             | 9699-0103-02      | Bricka                            | Washer                          | 0.5 mm              |
| 2                            | 1             | 9699-0114-02      | Bricka                            | Washer                          | 1.0 mm              |
| 3                            | 2             | 1134-4185-01      | Ansatsbricka                      | Flange Washer                   |                     |
| 4                            | 2             | 9959-0820-16      | Skruv                             | Screw                           |                     |
| 5                            | 4             | 9699-0056-02      | Bricka                            | Washer                          |                     |
| 6                            | 2             | 1134-2609-01      | Lasratt                           | Locking Knob                    |                     |
| 7                            | 1             | 1134-4627-01      | Dragkrok                          | Tow Bar                         |                     |
| 8                            | 2             | 9959-0820-16      | Skruv                             | Screw                           |                     |
| 10                           | 1             | 1134-4734-01      | Tändningsnyckel                   | Ignition Key                    |                     |
| 11                           | 2             | 9837-8914-12      | Skruv                             | Screw                           |                     |
| 12                           | 1             | 1111-2113-01      | Stang                             | Rod                             |                     |
| 13                           | 1             | 1134-2960-02      | Nyckel för tändningslas           | Spark Plug Wrench               | 5/8" (16 mm)        |
| 13                           | 1             | 1134-4541-01      | Nyckel för tändningslas           | Spark Plug Wrench               | 5/8" (16 mm)/21 mm  |
| 14                           | 1             | 1134-5245-01      | Batterirem                        | Battery Strap                   |                     |
| 20                           | 1             | 1134-3771-66      | Förp Instr.Bok (Villa)            | Folder W Manuals (Villa)        |                     |
| 21                           | 1             | 8211-0209-11      | Säkerh. Föreskrifter Front Mowers | Safety Regulations Front Mowers |                     |
| 21                           | 1             | 8211-0288-05      | Bruksanvisning                    | Owner's Manual                  |                     |
| 21                           | 1             | 8211-0289-03      | Servicebok Villa                  | Service Book Villa              |                     |
| 21                           | 1             | 8211-0290-05      | Monteringsanvisning               | Assy Instruction Villa          |                     |
| 21                           | 1             | 8211-2002-03      | Garantikort Rider                 | Warranty Card                   |                     |

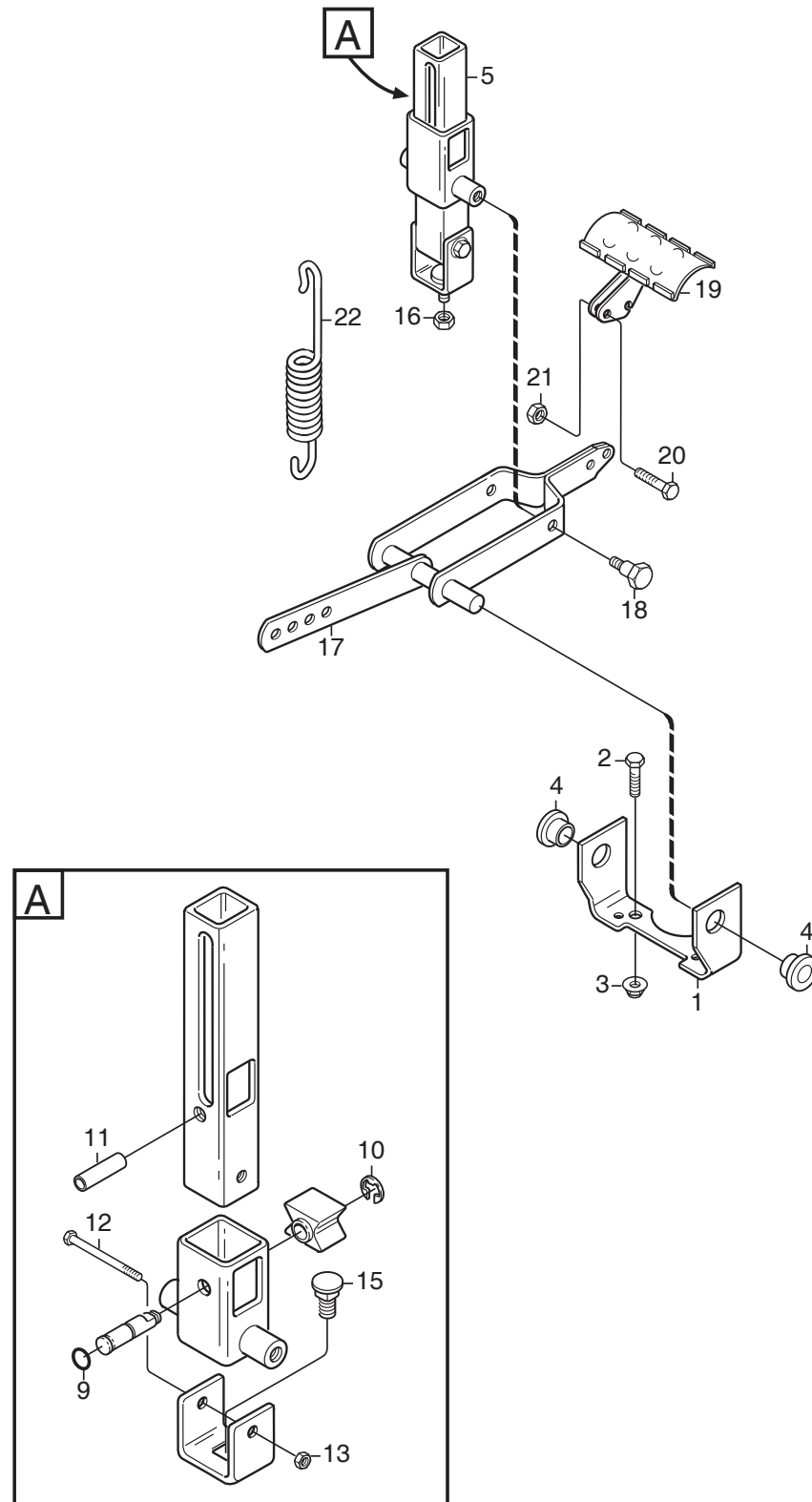


| Utgåva<br>Issue<br>20 - 2015 |               | Kaross<br>Body Work |                       |                       |                     |
|------------------------------|---------------|---------------------|-----------------------|-----------------------|---------------------|
| Pos.<br>Fig.                 | Antal<br>Q.ty | Art nr<br>Part No   | Benämning             | Description           | Anmärkning<br>Notes |
| 1                            | 1             | 1134-5067-01        | Motorlucka Gul        | Engine Hood Yellow    |                     |
| 2                            | 2             | 9893-0616-16        | Skruv                 | Screw                 |                     |
| 3                            | 2             | 1134-4444-01        | Stag 5-01 F15         | Stay                  |                     |
| 4                            | 4             | 9959-0820-16        | Skruv                 | Screw                 |                     |
| 5                            | 4             | 9739-0831-22        | Mutter                | Nut                   |                     |
| 6                            | 1             | 1134-4787-01        | Huv-Bakdel            | Engine Hooh-Rear Part |                     |
| 7                            | 2             | 1134-5381-01        | Huvinfästning-Bakre   | Hood Attachment-Rear  |                     |
| 8                            | 4             | 9893-0616-16        | Skruv                 | Screw                 |                     |
| 9                            | 2             | 1134-4904-01        | Huvlas Kpl            | Hood Lock Kit         |                     |
| 12                           | 1             | 1134-4789-01        | Lucka (Gra)           | Engine Cover (Grey)   |                     |
| 13                           | 1             | 1134-3944-03        | Stötfångare           | Bumper                |                     |
| 14                           | 4             | 1134-4176-01        | Clips                 | Clips                 |                     |
| 15                           | 6             | 9893-0616-16        | Skruv                 | Screw                 |                     |
| 16                           | 1             | 1134-4592-01        | Frontkonsol(Kurz 601) | Front Plate           |                     |
| 17                           | 2             | 9946-0525-16        | Skruv                 | Screw                 |                     |
| 21                           | 2             | 1134-4790-02        | Styrning              | Hood Guide (Black)    |                     |
| 22                           | 2             | 9838-9530-12        | Skruv                 | Screw                 |                     |
| 23                           | 2             | 1134-5078-01        | Stag                  | Stay                  |                     |
| 24                           | 2             | 9893-0616-16        | Skruv                 | Screw                 |                     |
| 99                           | 1             | 1134-5244-03        | Dekalsats             | Label Kit             | President           |
| 99                           | 1             | 1134-5244-06        | Dekal                 | Label                 | Comfort             |
| 99                           | 1             | 1134-5244-07        | Dekalsats             | Label Kit             | Elite               |



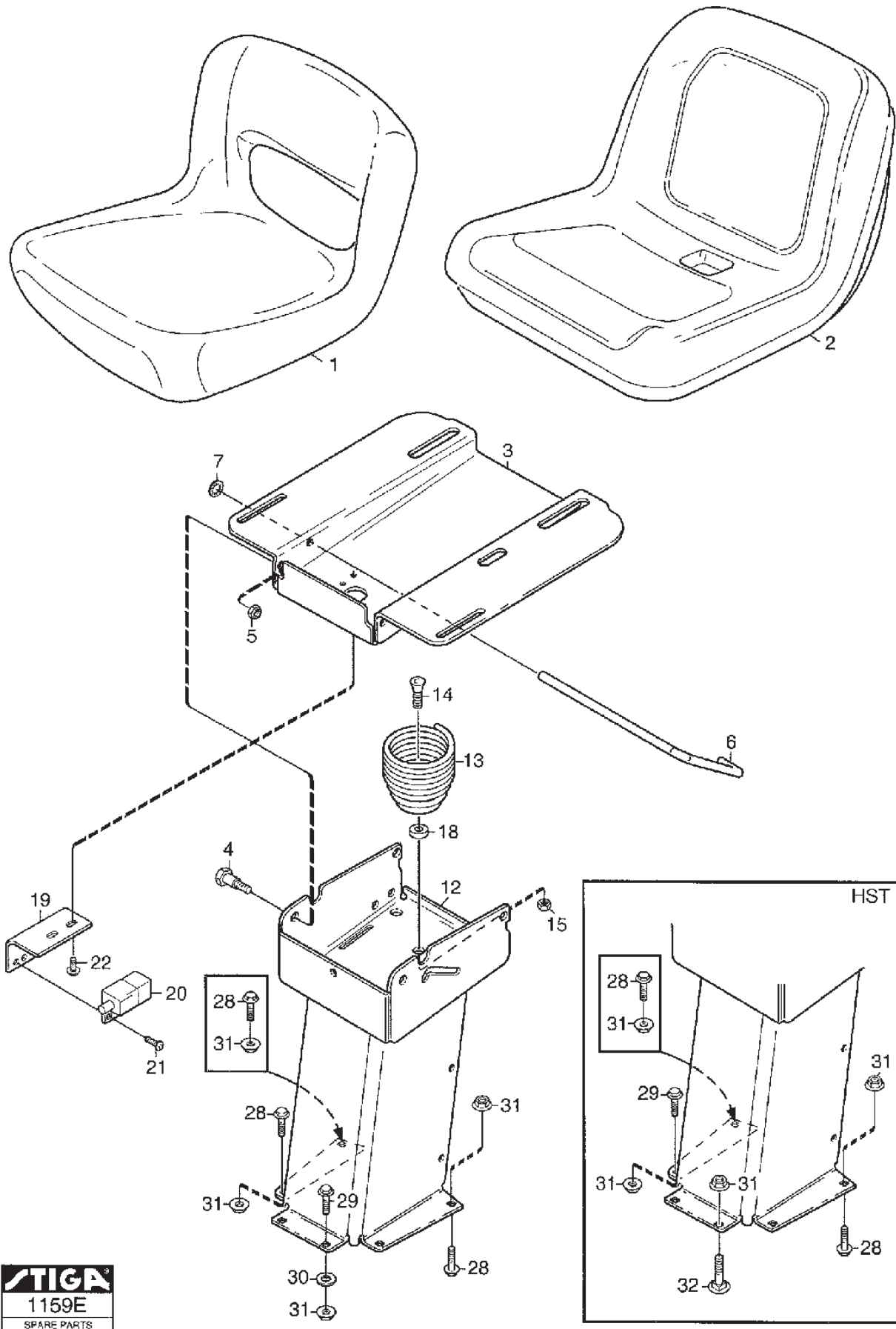


| Utgåva<br>Issue<br>20 - 2015 |               | Ram<br>Frame      |                         |                     |                     |
|------------------------------|---------------|-------------------|-------------------------|---------------------|---------------------|
| Pos.<br>Fig.                 | Antal<br>Q.ty | Art nr<br>Part No | Benämning               | Description         | Anmärkning<br>Notes |
| 1                            | 1             | 1134-5546-01      | Ram Kpl (Gul) 1-00 L01D | Frame Assy (Yellow) |                     |
| 1                            | 1             | 1134-5546-02      | Ram                     | Frame Assy          |                     |
| 2                            | 1             | 1134-5293-01      | Durk (Gra) 7-14         | Floor Plate (Grey)  |                     |
| 3                            | 2             | 9893-0616-16      | Skruv                   | Screw               |                     |
| 4                            | 1             | 1134-5339-01      | Durkmatta-Hst           | Floor Mat-Hst       |                     |
| 5                            | 1             | 1134-5382-01      | Stötfangare, Gra        | Bumper, Grey        |                     |
| 6                            | 2             | 9959-0820-16      | Skruv                   | Screw               |                     |
| 7                            | 2             | 9959-0825-16      | Skruv                   | Screw               |                     |
| 8                            | 3             | 9739-0831-22      | Mutter                  | Nut                 |                     |
| 9                            | 1             | 9739-0831-22      | Mutter                  | Nut                 |                     |

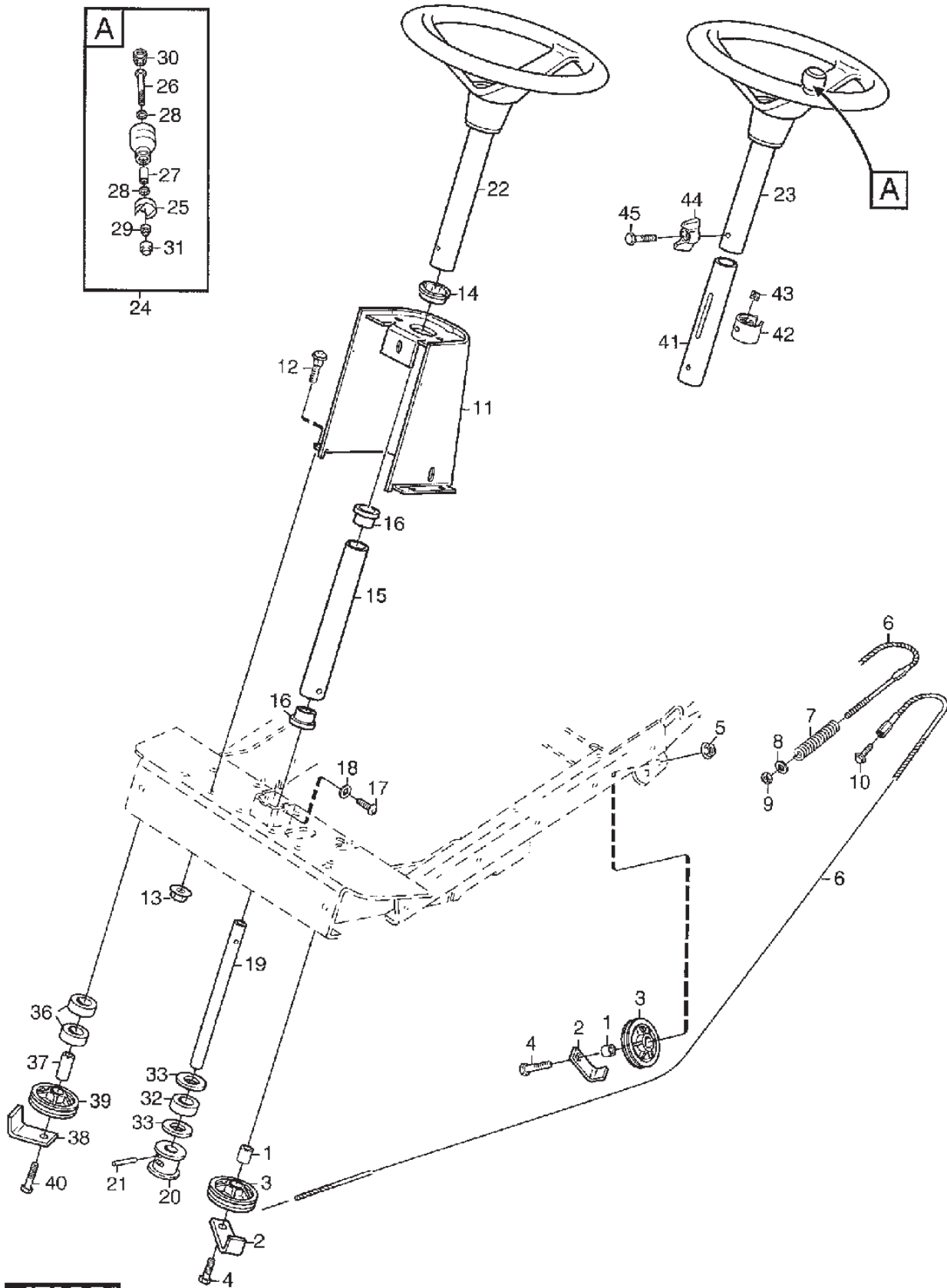


1151C

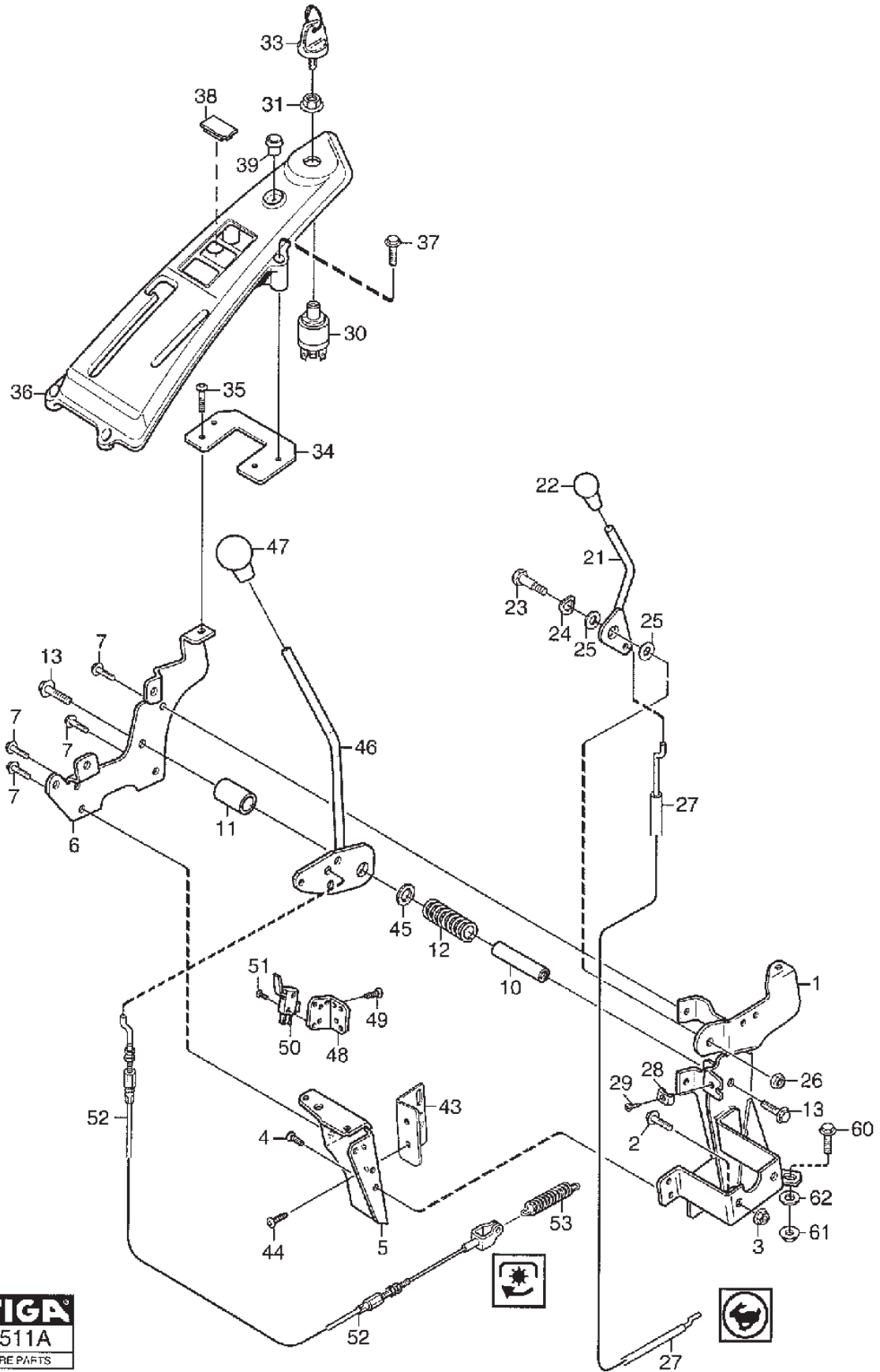
| Utgåva<br>Issue<br>20 - 2015 |               | Pedallyft<br>Pedal lift |                       |                 |                     |
|------------------------------|---------------|-------------------------|-----------------------|-----------------|---------------------|
| Pos.<br>Fig.                 | Antal<br>Q.ty | Art nr<br>Part No       | Benämning             | Description     | Anmärkning<br>Notes |
| 1                            | 1             | 1134-4117-01            | Fäste                 | Bracket         |                     |
| 2                            | 2             | 9959-1025-16            | Skruv                 | Screw           | L = 40 mm           |
| 2                            | 2             | 9997-1040-16            | Skruv                 | Screw           | L = 40 mm           |
| 3                            | 2             | 9739-1031-22            | Mutter                | Nut             |                     |
| 4                            | 2             | 1134-2684-01            | Lager                 | Bearing         |                     |
| 5                            | 1             | 1134-4945-01            | Lyftspärr kpl         | Lift Catch Assy |                     |
| 9                            | 1             | 9404-0027-01            | O-ring                | O-ring          |                     |
| 10                           | 1             | 9650-0039-04            | Sparring Sga 8        | Lock Ring       |                     |
| 11                           | 1             | 9595-0276-01            | Spiralspännstift 8*24 | Locating Pin    |                     |
| 12                           | 1             | 9997-0640-12            | Skruv                 | Screw           |                     |
| 13                           | 1             | 9747-0631-02            | Mutter                | Nut             |                     |
| 15                           | 1             | 9897-0820-16            | Skruv                 | Screw           |                     |
| 16                           | 1             | 9747-0831-02            | Mutter                | Nut             |                     |
| 17                           | 1             | 1134-4860-01            | Lyftgaffel            | Lift Fork       |                     |
| 18                           | 2             | 1134-0240-00            | Skruv                 | Screw           |                     |
| 19                           | 1             | 1134-4938-01            | Lyftpedal             | Lift Pedal      |                     |
| 20                           | 2             | 9997-0625-16            | Skruv                 | Screw           |                     |
| 21                           | 2             | 9739-0631-22            | Mutter                | Nut             |                     |
| 22                           | 1             | 4231-0013-00            | Fjäder                | Spring          |                     |



| Utgåva<br>Issue<br>20 - 2015 |               | Sits<br>Seat      |                      |                    |                     |
|------------------------------|---------------|-------------------|----------------------|--------------------|---------------------|
| Pos.<br>Fig.                 | Antal<br>Q.ty | Art nr<br>Part No | Benämning            | Description        | Anmärkning<br>Notes |
| 2                            | 1             | 1134-4223-01      | Sits Xb 150          | Seat               |                     |
| 3                            | 1             | 1134-4628-05      | Överdel (Svart) 5-01 | Seat Plate (Black) |                     |
| 4                            | 2             | 1134-0240-00      | Skruv                | Screw              |                     |
| 5                            | 2             | 9747-0831-02      | Mutter               | Nut                |                     |
| 6                            | 1             | 1134-5179-01      | Spärr                | Catch              | Ø = 8 mm            |
| 7                            | 1             | 9675-0012-02      | Starlock             | Locking washer     |                     |
| 12                           | 1             | 1134-4211-02      | Sitskonsol 5-01 L02  | Seat Bracket       |                     |
| 13                           | 1             | 1134-4256-01      | Fjäder               | Spring             |                     |
| 14                           | 1             | 9924-1235-19      | Skruv                | Screw              |                     |
| 15                           | 1             | 9747-1231-02      | Mutter               | Nut                |                     |
| 18                           | 1             | 1134-5032-01      | Distans              | Spacer             |                     |
| 19                           | 1             | 1134-4950-02      | Vinkelfäste          | Angle Bracket      |                     |
| 20                           | 1             | 1134-3399-01      | Brytare              | Switch             |                     |
| 21                           | 2             | 9852-8013-16      | Skruv                | Screw              |                     |
| 22                           | 2             | 9893-0616-16      | Skruv                | Screw              |                     |
| 28                           | 3             | 9959-0820-16      | Skruv                | Screw              | L = 20 mm           |
| 29                           | 2             | 9959-0825-16      | Skruv                | Screw              | L = 25 mm           |
| 31                           | 6             | 9739-0831-22      | Mutter               | Nut                |                     |
| 32                           | 2             | 9897-0820-16      | Skruv                | Screw              |                     |
| 2                            | 1             | 1134-4223-01      | Sits Xb 150          | Seat               |                     |

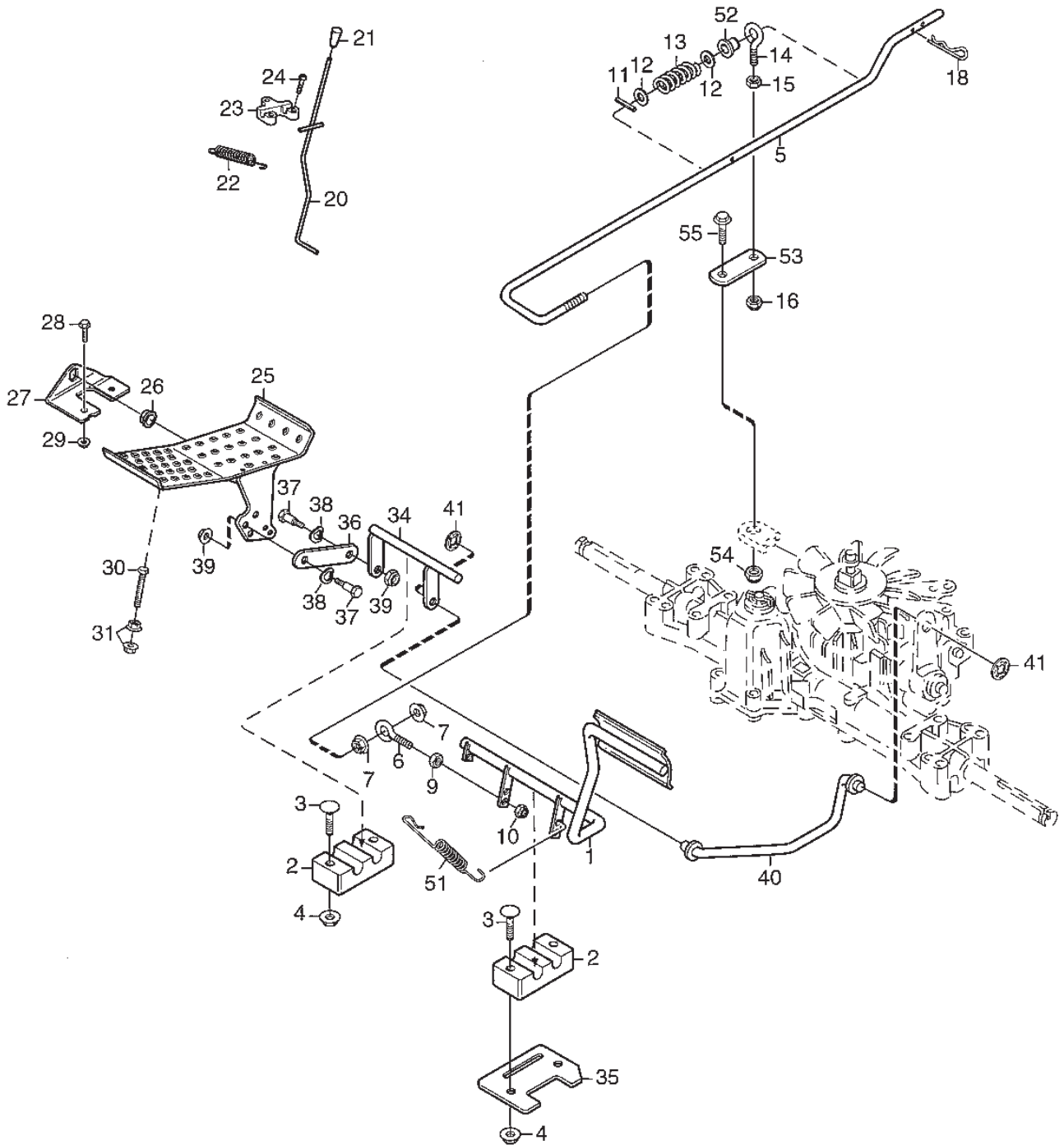


| Utgåva<br>Issue<br>20 - 2015 |               | Styrning          |                          | Steering                  |                     |
|------------------------------|---------------|-------------------|--------------------------|---------------------------|---------------------|
| Pos.<br>Fig.                 | Antal<br>Q.ty | Art nr<br>Part No | Benämning                | Description               | Anmärkning<br>Notes |
| 1                            | 3             | 1134-0041-01      | Bussning                 | Bushing                   |                     |
| 2                            | 3             | 1134-3022-01      | Fäste                    | Bracket                   |                     |
| 3                            | 1             | 1134-9025-01      | Linhjul                  | Steering Pulley           | Sats 2 st/kit of 2  |
| 4                            | 3             | 9997-1040-16      | Skruv                    | Screw                     | L = 40 mm           |
| 5                            | 2             | 9739-1031-22      | Mutter                   | Nut                       |                     |
| 6                            | 1             | 1134-9083-01      | Styrwire                 | Steering Wire             |                     |
| 7                            | 1             | 1134-1310-01      | Fjäder                   | Spring                    |                     |
| 8                            | 1             | 9699-0056-02      | Bricka                   | Washer                    |                     |
| 9                            | 1             | 9747-0831-02      | Mutter                   | Nut                       |                     |
| 10                           | 1             | 9959-0820-16      | Skruv                    | Screw                     |                     |
| 11                           | 1             | 1134-4120-04      | Styrkonsol Kpl. 7-14 L02 | Steering Console          |                     |
| 12                           | 4             | 9897-0820-16      | Skruv                    | Screw                     |                     |
| 13                           | 4             | 9739-0831-22      | Mutter                   | Nut                       |                     |
| 14                           | 1             | 1134-4483-01      | Bussning                 | Bushing                   |                     |
| 15                           | 1             | 1134-1305-03      | Rattrör Nedre            | Steering Column, Lower    |                     |
| 16                           | 2             | 1134-1901-01      | Lager                    | Bearing                   |                     |
| 17                           | 2             | 9893-0616-16      | Skruv                    | Screw                     |                     |
| 18                           | 2             | 9699-0060-02      | Bricka                   | Washer                    |                     |
| 19                           | 1             | 1134-4431-01      | Rattstang                | Steering Rod              |                     |
| 20                           | 1             | 1134-1933-01      | Linhjul                  | Steering Pulley           |                     |
| 21                           | 1             | 9595-0262-00      | Spännstift               | Locating Pin              |                     |
| 23                           | 1             | 1134-5173-02      | Ratt Kpl                 | Steering Wheel            |                     |
| 24                           | 1             | 1134-3769-01      | Styrknopp Kpl Service    | Steering Wheel Button Kit |                     |
| 25                           | 1             | 1134-3752-01      | Knoppfäste               | Knob Holder               |                     |
| 26                           | 1             | 9997-0865-12      | Skruv                    | Screw                     |                     |
| 27                           | 1             | 1134-1565-06      | Distans                  | Spacer                    |                     |
| 28                           | 2             | 9699-0090-02      | Bricka   Bricka          | Washer   Washer           |                     |
| 29                           | 1             | 9747-0831-02      | Mutter                   | Nut                       |                     |
| 30                           | 1             | 9403-0043-70      | Plugg                    | Plug                      |                     |
| 31                           | 1             | 9403-0113-00      | Ringmutter               | Ring Nut                  |                     |
| 32                           | 1             | 1134-3047-01      | Distans                  | Spacer                    |                     |
| 33                           | 2             | 9699-0104-02      | Bricka                   | Washer                    |                     |
| 36                           | 2             | 1134-3047-01      | Distans                  | Spacer                    |                     |
| 37                           | 1             | 1134-0041-05      | Bussning                 | Bushing                   |                     |
| 38                           | 1             | 1134-3022-01      | Fäste                    | Bracket                   |                     |
| 39                           | 1             | 1134-9025-01      | Linhjul                  | Steering Pulley           | Sats 2 st/kit of 2  |
| 40                           | 1             | 9997-1060-12      | Skruv                    | Screw                     | L = 60 mm           |
| 41                           | 1             | 1134-5216-01      | Rattrör-Inre Kpl         | Steering Tube-Inner Assy  |                     |
| 42                           | 1             | 1134-5177-01      | Slid                     | Slide                     |                     |
| 43                           | 1             | 9710-0631-12      | Lasmutter                | Nut                       |                     |
| 44                           | 1             | 1134-4481-02      | Vingmutter               | Wing Nut                  |                     |
| 45                           | 1             | 9997-0630-12      | Skruv                    | Screw                     |                     |

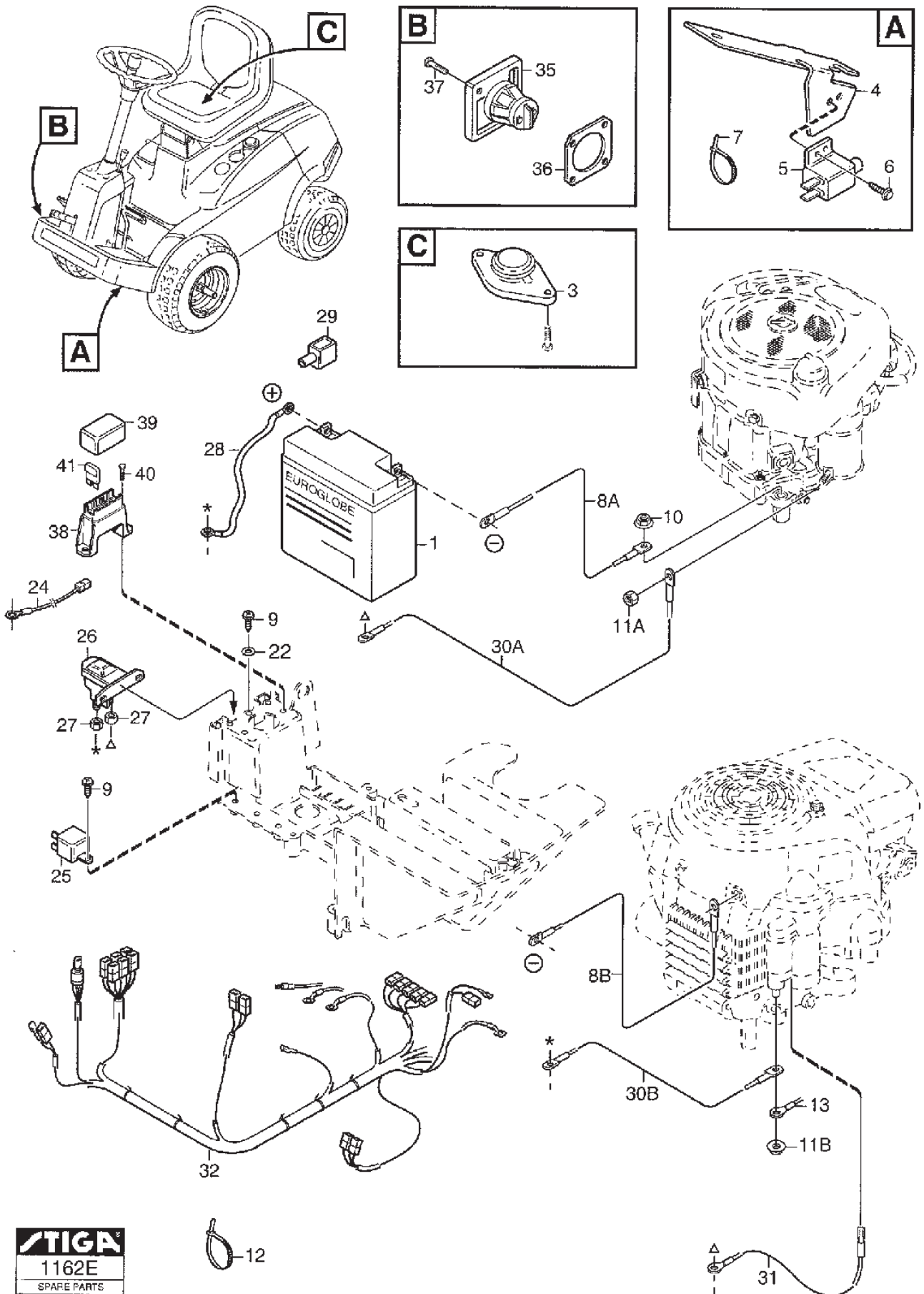




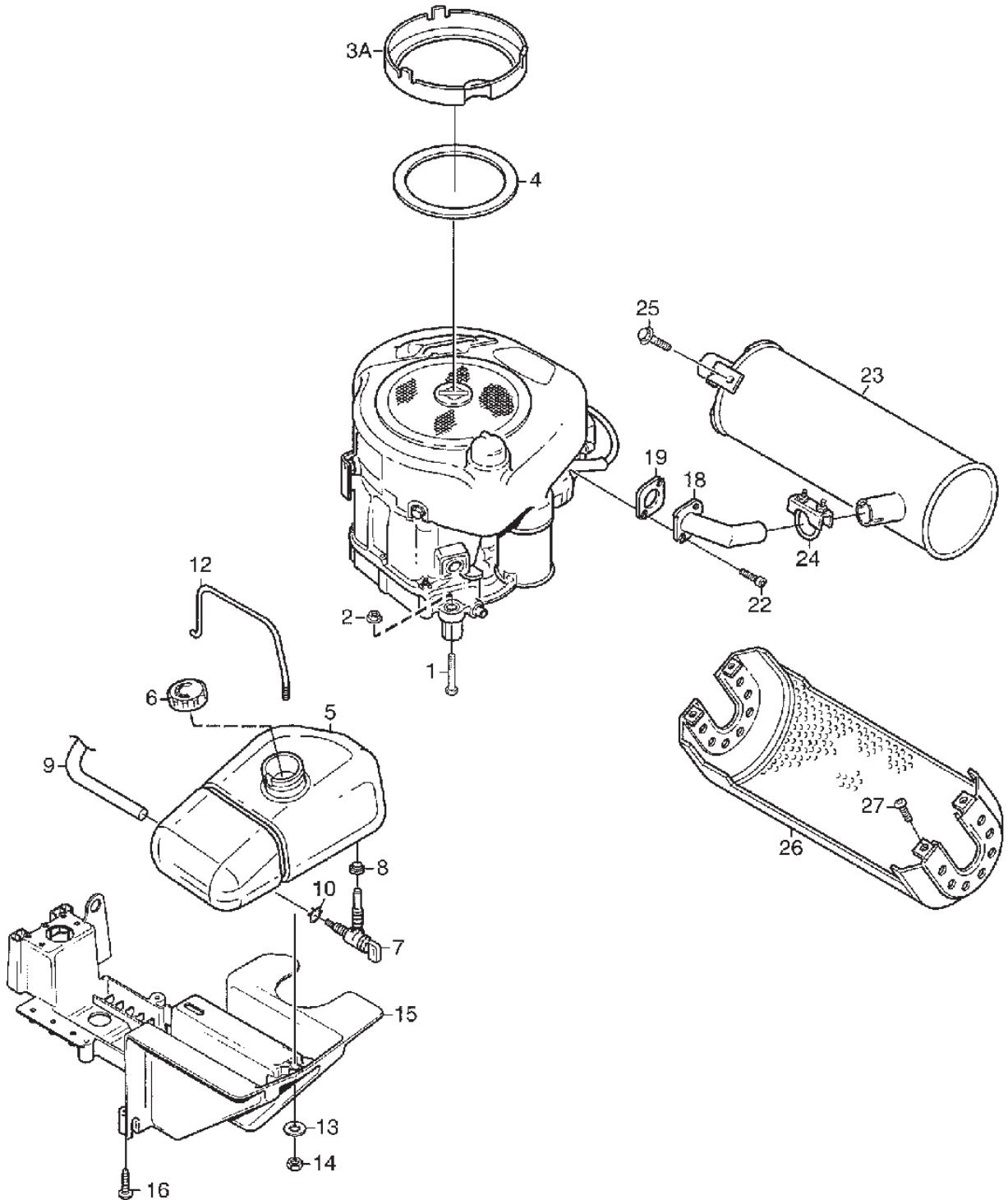
| Utgåva<br>Issue<br>20 - 2015 |               | Comfort Handreglage |                         | Comfort Hand Controls |                     |
|------------------------------|---------------|---------------------|-------------------------|-----------------------|---------------------|
| Pos.<br>Fig.                 | Antal<br>Q.ty | Art nr<br>Part No   | Benämning               | Description           | Anmärkning<br>Notes |
| 1                            | 1             | 1134-5077-01        | Konsol (Svart) 5-01 F15 | Panel Bracket (Balck) |                     |
| 2                            | 2             | 9959-0820-16        | Skruv                   | Screw                 |                     |
| 3                            | 2             | 9739-0831-22        | Mutter                  | Nut                   |                     |
| 4                            | 2             | 9893-0616-16        | Skruv                   | Screw                 |                     |
| 5                            | 1             | 1134-4487-02        | Frontfäste 5-01 H14     | Panel Bracket-Front   |                     |
| 6                            | 1             | 1134-3986-01        | Frontplat               | Frontplate            |                     |
| 7                            | 4             | 9893-0616-16        | Skruv                   | Screw                 |                     |
| 10                           | 1             | 1134-4065-01        | Reglageaxel             | Control Shaft         |                     |
| 11                           | 1             | 1134-4080-03        | Reglagehylsa            | Control Sleeve        |                     |
| 12                           | 1             | 1134-4079-01        | Fjäder                  | Spring                |                     |
| 13                           | 2             | 9959-0820-16        | Skruv                   | Screw                 |                     |
| 21                           | 1             | 1134-4590-01        | Gasreglage              | Throttle Cable        |                     |
| 22                           | 1             | 1134-4078-01        | Knopp                   | Knob                  |                     |
| 23                           | 1             | 1134-0240-00        | Skruv                   | Screw                 |                     |
| 24                           | 1             | 9694-0001-00        | Bricka                  | Washer                |                     |
| 25                           | 2             | 1134-4242-01        | Distansbricka           | Washer                |                     |
| 26                           | 1             | 9747-0831-02        | Mutter                  | Nut                   |                     |
| 27                           | 1             | 1134-1597-11        | Gasreglage              | Throttle Cable        |                     |
| 28                           | 1             | 9500-9991-00        | Kabelklämma             | Wire Clamp            |                     |
| 29                           | 1             | 9943-0516-16        | Skruv                   | Screw                 |                     |
| 30                           | 1             | 1134-4093-01        | Tändningslas            | Ignition Switch       |                     |
| 31                           | 1             | 1134-4749-01        | Mutter                  | Nut                   |                     |
| 33                           | 1             | 1134-4734-01        | Tändningsnyckel         | Ignition Key          |                     |
| 34                           | 1             | 1134-4472-01        | Fästplatta              | Attachment Plate      |                     |
| 35                           | 2             | 9943-0516-16        | Skruv                   | Screw                 |                     |
| 36                           | 1             | 1134-4470-02        | Reglagepanel            | Dashboard             |                     |
| 37                           | 4             | 9943-0516-16        | Skruv                   | Screw                 |                     |
| 38                           | 3             | 1134-4129-01        | Täckbricka              | Cover                 |                     |
| 39                           | 1             | 1134-4100-01        | Täckpropp               | Plug                  |                     |
| 43                           | 1             | 1134-4950-02        | Vinkelfäste             | Angle Bracket         |                     |
| 44                           | 2             | 9893-0616-16        | Skruv                   | Screw                 |                     |
| 45                           | 1             | 9695-0011-00        | Bricka                  | Washer                |                     |
| 46                           | 1             | 1134-5061-01        | Aggregatsspak           | Control Lever         |                     |
| 47                           | 1             | 1134-2551-01        | Knopp                   | Knob                  |                     |
| 48                           | 1             | 1134-5358-01        | Brytarfäste             | Switch Bracket        |                     |
| 49                           | 2             | 9849-8013-16        | Skruv                   | Screw                 |                     |
| 49                           | 2             | 9852-8013-16        | Skruv                   | Screw                 |                     |
| 50                           | 1             | 9400-0285-01        | Brytare                 | Switch                |                     |
| 51                           | 2             | 9840-7716-16        | Skruv                   | Screw                 |                     |
| 52                           | 1             | 1134-3573-04        | Kraftuttagwire          | Cable                 |                     |
| 53                           | 1             | 1134-1242-02        | Fjäder                  | Spring                |                     |
| 60                           | 1             | 9959-0820-16        | Skruv                   | Screw                 |                     |
| 61                           | 1             | 9739-0831-22        | Mutter                  | Nut                   |                     |
| 62                           | 1             | 9699-0056-02        | Bricka                  | Washer                |                     |



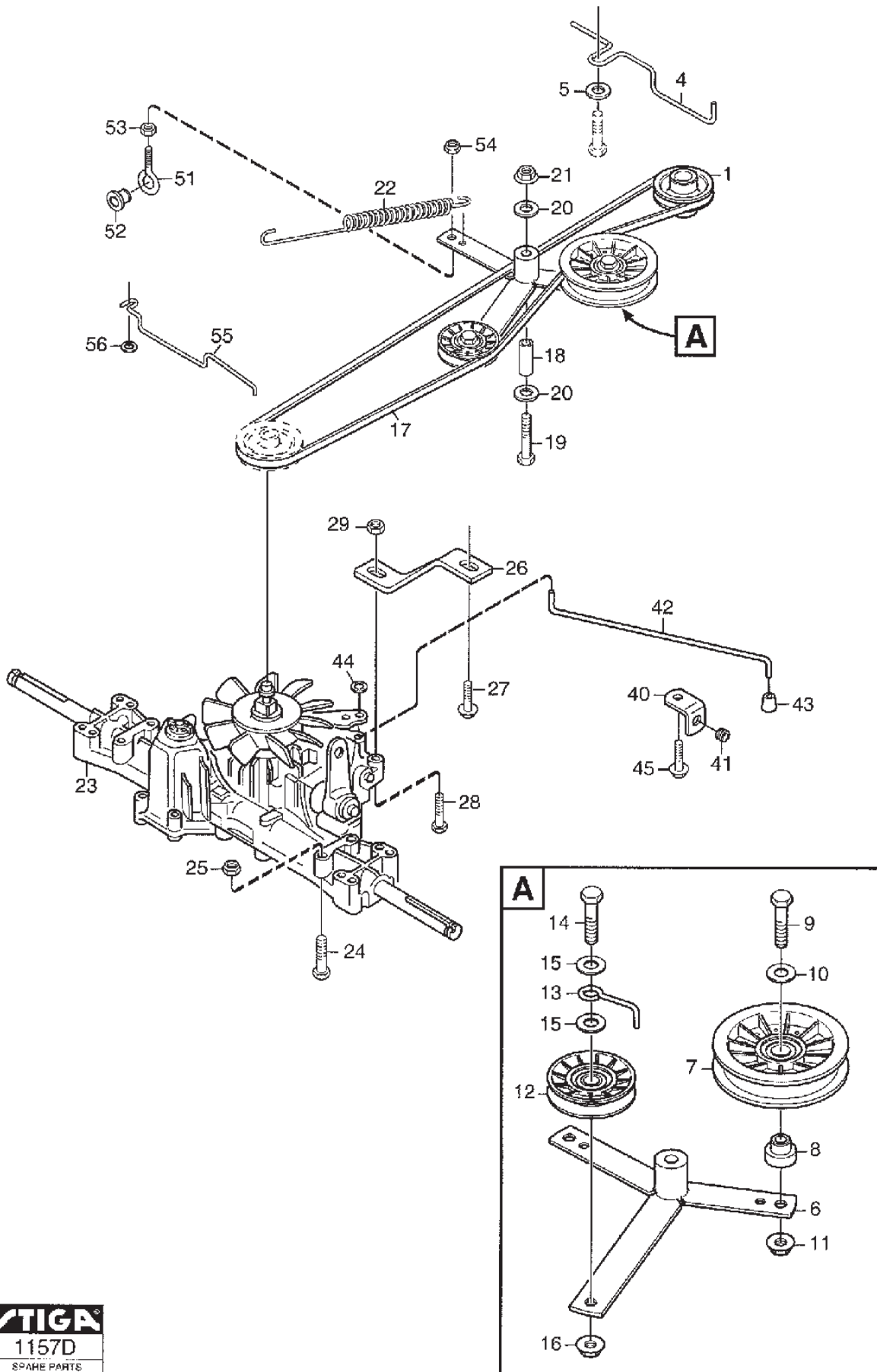
| Utgåva<br>Issue<br>20 - 2015 |               | Fotreglage        |                        | Foot Controls        |                     |
|------------------------------|---------------|-------------------|------------------------|----------------------|---------------------|
| Pos.<br>Fig.                 | Antal<br>Q.ty | Art nr<br>Part No | Benämning              | Description          | Anmärkning<br>Notes |
| 2                            | 2             | 1134-4624-01      | Lager                  | Bearing              |                     |
| 3                            | 4             | 9898-0635-12      | Skruv                  | Screw                |                     |
| 4                            | 4             | 9739-0631-22      | Mutter                 | Nut                  |                     |
| 5                            | 1             | 1134-4949-01      | Kopplingsstang         | Clutch Rod           |                     |
| 6                            | 1             | 1134-2138-01      | Skruvögla              | Eye Bolt             |                     |
| 7                            | 2             | 9739-1031-22      | Mutter                 | Nut                  |                     |
| 9                            | 1             | 9739-0831-22      | Mutter                 | Nut                  |                     |
| 10                           | 1             | 9747-0831-02      | Mutter                 | Nut                  |                     |
| 11                           | 1             | 9595-0208-00      | Spiralspnst Prym N4X20 | Locating Pin         |                     |
| 12                           | 2             | 9699-0035-02      | Bricka                 | Washer               |                     |
| 13                           | 1             | 1134-4617-01      | Fjäder                 | Spring               |                     |
| 14                           | 1             | 1134-2138-01      | Skruvögla              | Eye Bolt             |                     |
| 15                           | 1             | 9739-0831-22      | Mutter                 | Nut                  |                     |
| 16                           | 1             | 9747-0831-02      | Mutter                 | Nut                  |                     |
| 18                           | 1             | 9598-0002-02      | Spännstift             | Elastic Pin          |                     |
| 20                           | 1             | 1134-5101-01      | Bromsstang             | Brake Rod            |                     |
| 21                           | 1             | 1134-3808-01      | Knopp                  | Knob                 |                     |
| 22                           | 1             | 1131-1497-01      | Fjäder                 | Brake Spring         |                     |
| 23                           | 1             | 1134-4002-01      | Fäste                  | Brake Rod Attachment |                     |
| 24                           | 3             | 9838-9516-12      | Skruv                  | Screw                |                     |
| 25                           | 1             | 1134-4008-01      | Drivpedal              | Drive Pedal          |                     |
| 25                           | 1             | 1134-4008-03      | Drivpedal              | Drive Pedal          |                     |
| 26                           | 2             | 1134-2780-01      | Lager                  | Bearing              |                     |
| 27                           | 2             | 1134-2700-01      | Fäste                  | Bracket              |                     |
| 28                           | 2             | 9959-0820-16      | Skruv                  | Screw                |                     |
| 29                           | 2             | 9739-0831-22      | Mutter                 | Nut                  |                     |
| 30                           | 1             | 9997-0870-16      | Skruv                  | Screw                |                     |
| 31                           | 2             | 9739-0831-22      | Mutter                 | Nut                  |                     |
| 34                           | 1             | 1134-4440-01      | Axel                   | Shaft                |                     |
| 35                           | 1             | 1134-4793-01      | Stopplat               | Stop Plate           |                     |
| 36                           | 1             | 1134-4441-01      | Stag                   | Link                 |                     |
| 37                           | 2             | 1134-0240-00      | Skruv                  | Screw                |                     |
| 38                           | 2             | 9694-0001-00      | Bricka                 | Washer               |                     |
| 39                           | 2             | 9747-0831-02      | Mutter                 | Nut                  |                     |
| 40                           | 1             | 1134-5288-01      | Reglagestang           | Control Rod          |                     |
| 41                           | 2             | 9675-0012-02      | Starlock               | Locking washer       |                     |
| 51                           | 1             | 4231-0013-00      | Fjäder                 | Spring               |                     |
| 52                           | 1             | 1134-4779-01      | Bussning               | Bushing              |                     |
| 53                           | 1             | 1134-4972-01      | Bromslänk              | Brake Link           |                     |
| 54                           | 1             | 9747-0831-02      | Mutter                 | Nut                  |                     |
| 55                           | 1             | 9959-0820-16      | Skruv                  | Screw                |                     |
| 1                            | 1             | 1134-4802-01      | Pedal5-01 F15          | Pedal                |                     |



| Utgåva<br>Issue<br>20 - 2015 |               | Elutrustning<br>El. Equipment |                      |                      |                       |
|------------------------------|---------------|-------------------------------|----------------------|----------------------|-----------------------|
| Pos.<br>Fig.                 | Antal<br>Q.ty | Art nr<br>Part No             | Benämning            | Description          | Anmärkning<br>Notes   |
| 4                            | 1             | 1134-4610-01                  | Fäste                | Switch Bracket       |                       |
| 5                            | 1             | 1134-3399-02                  | Brytare              | Switch               |                       |
| 6                            | 2             | 9852-8013-16                  | Skruv                | Screw                |                       |
| 7                            | 3             | 9579-0003-00                  | Buntband             | Cable Holder         |                       |
| 8                            | 1             | 1134-2042-02                  | Batterikabel         | Battery Cable        | L = 350 mm            |
| 9                            | 1             | 9838-9516-12                  | Skruv                | Screw                |                       |
| 10                           | 1             | 9747-0831-02                  | Mutter               | Nut                  |                       |
| 11                           | 1             | 9795-3531-02                  | Mutter               | Nut                  | 1/4 UNC               |
| 12                           | 3             | 9579-0003-00                  | Buntband             | Cable Holder         |                       |
| 22                           | 1             | 9699-0060-02                  | Bricka               | Washer               |                       |
| 26                           | 1             | 1134-2962-01                  | Solenoid Kpl Service | Solenoid             |                       |
| 27                           | 2             | 9794-5131-02                  | Mutter               | Nut                  |                       |
| 28                           | 1             | 1134-4702-01                  | Kabel (+)            | Cable (+)            | L = 380 mm            |
| 29                           | 1             | 1134-2310-01                  | Batteriskydd         | Guard Cap (+)        |                       |
| 30                           | 1             | 1134-4702-02                  | Kabel (+)            | Cable                | L = 480 (6 mm - 8 mm) |
| 32                           | 1             | 1134-5318-01                  | Kabelhärva           | Wiring harness       |                       |
| 32                           | 1             | 1134-6093-01                  | Kablage (Villa)      | Wire Harness (Villa) |                       |

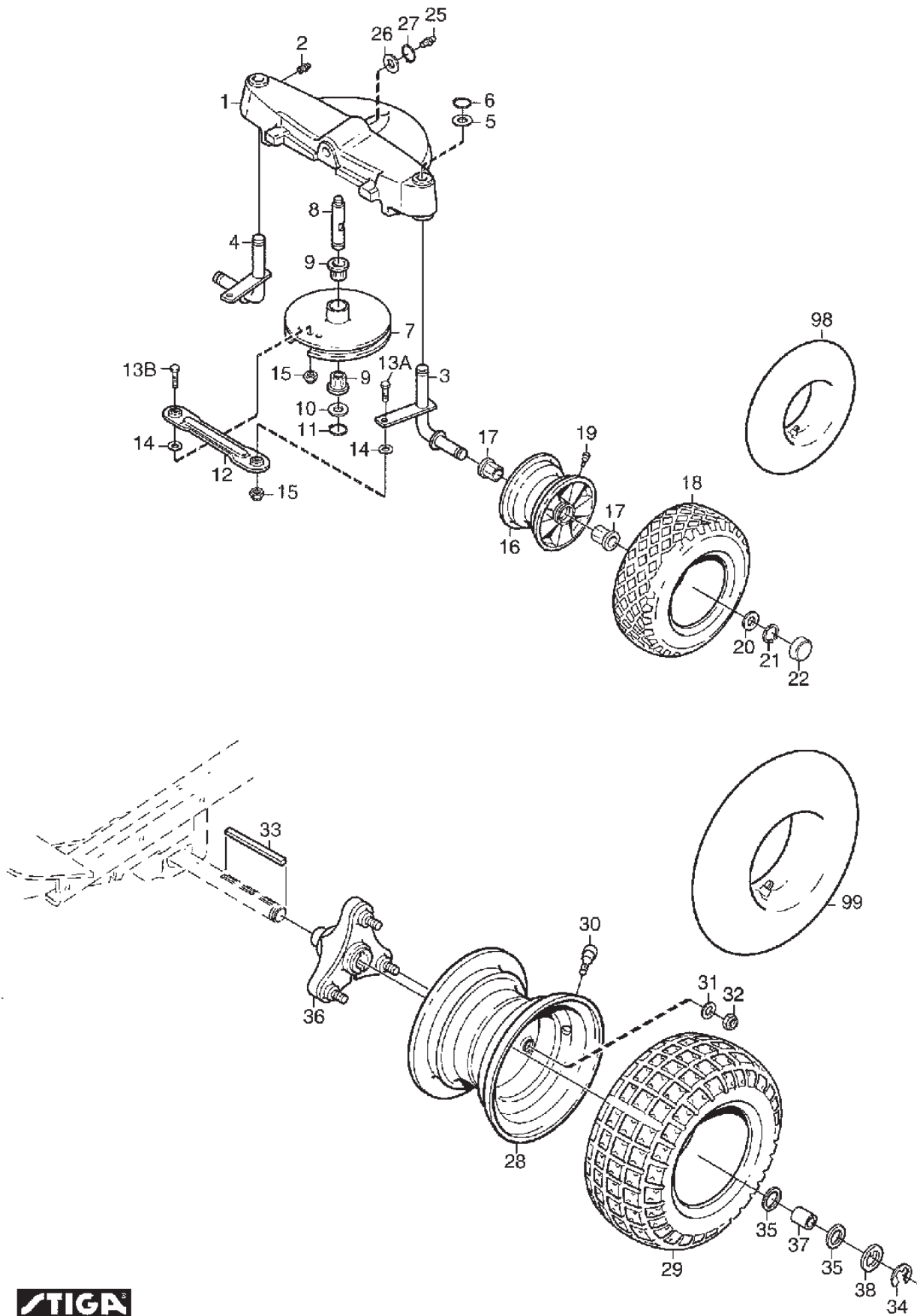


| Utgåva<br>Issue<br>20 - 2015 |               | Motor             | Engine                    |                     |                     |
|------------------------------|---------------|-------------------|---------------------------|---------------------|---------------------|
| Pos.<br>Fig.                 | Antal<br>Q.ty | Art nr<br>Part No | Benämning                 | Description         | Anmärkning<br>Notes |
| 1                            | 4             | 9997-0840-16      | Skruv                     | Screw               |                     |
| 2                            | 4             | 9747-0831-02      | Mutter                    | Nut                 |                     |
| 3                            | 1             | 1134-4468-01      | Distans                   | Spacer              | H = 39.5 mm         |
| 4                            | 1             | 1134-4222-02      | Tätningring               | Seal Ring (15 Mm)   |                     |
| 5                            | 1             | 1134-5066-01      | Bränsletank               | Fuel Tank           |                     |
| 6                            | 1             | 1134-2877-03      | Tanklock                  | Fuel Tank Cap       |                     |
| 7                            | 1             | 1134-3224-01      | Bensinkran                | Fuel Shut-Off Valve |                     |
| 8                            | 1             | 1134-3225-01      | Gummibussning             | Grommet             |                     |
| 9                            | 1             | 1134-2975-05      | Bensinslang               | Fuel Tube           | L = 460 mm          |
| 10                           | 2             | 9578-0023-02      | Slangklämma D12*8 (Svart) | Hose Clamp          |                     |
| 12                           | 1             | 1134-4808-01      | Tankbygel                 | Tank Clamp          |                     |
| 13                           | 1             | 9699-0060-02      | Bricka                    | Washer              |                     |
| 14                           | 1             | 9747-0631-02      | Mutter                    | Nut                 |                     |
| 15                           | 1             | 1134-4807-02      | Fäste                     | Support             |                     |
| 16                           | 4             | 9829-8830-12      | Skruv                     | Screw               |                     |
| 18                           | 1             | 1134-5379-01      | Avgasrör Kpl              | Exhaust Pipe Assy   |                     |
| 19                           | 1             | 1134-0433-00      | Packning                  | Gasket              |                     |
| 22                           | 2             | 1134-4930-01      | Skruv                     | Screw               |                     |
| 23                           | 1             | 1134-5378-01      | Ljuddämpare               | Muffler             |                     |
| 24                           | 1             | 9578-0011-00      | Klämma F Ljuddämp D35 Rid | Clamp               |                     |
| 25                           | 1             | 9959-0820-16      | Skruv                     | Screw               |                     |
| 26                           | 1             | 1134-5163-01      | Ljuddämparskydd           | Muffler Guard       |                     |
| 27                           | 4             | 9893-0616-16      | Skruv                     | Screw               |                     |

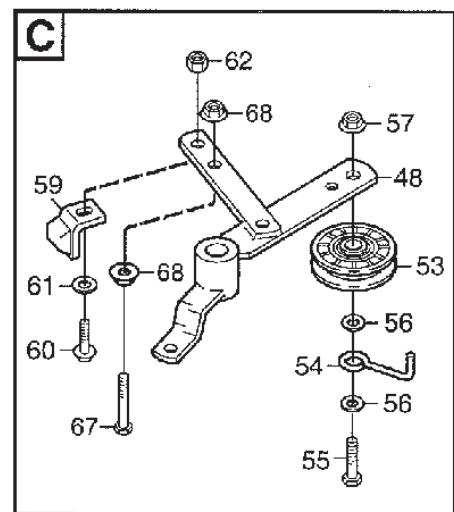
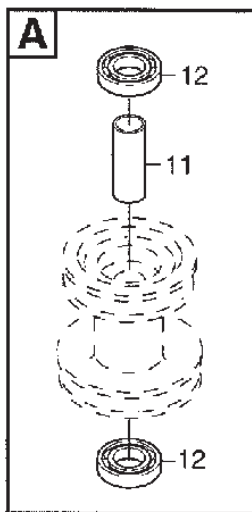
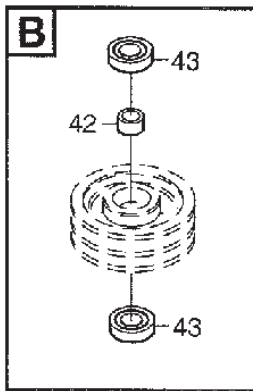
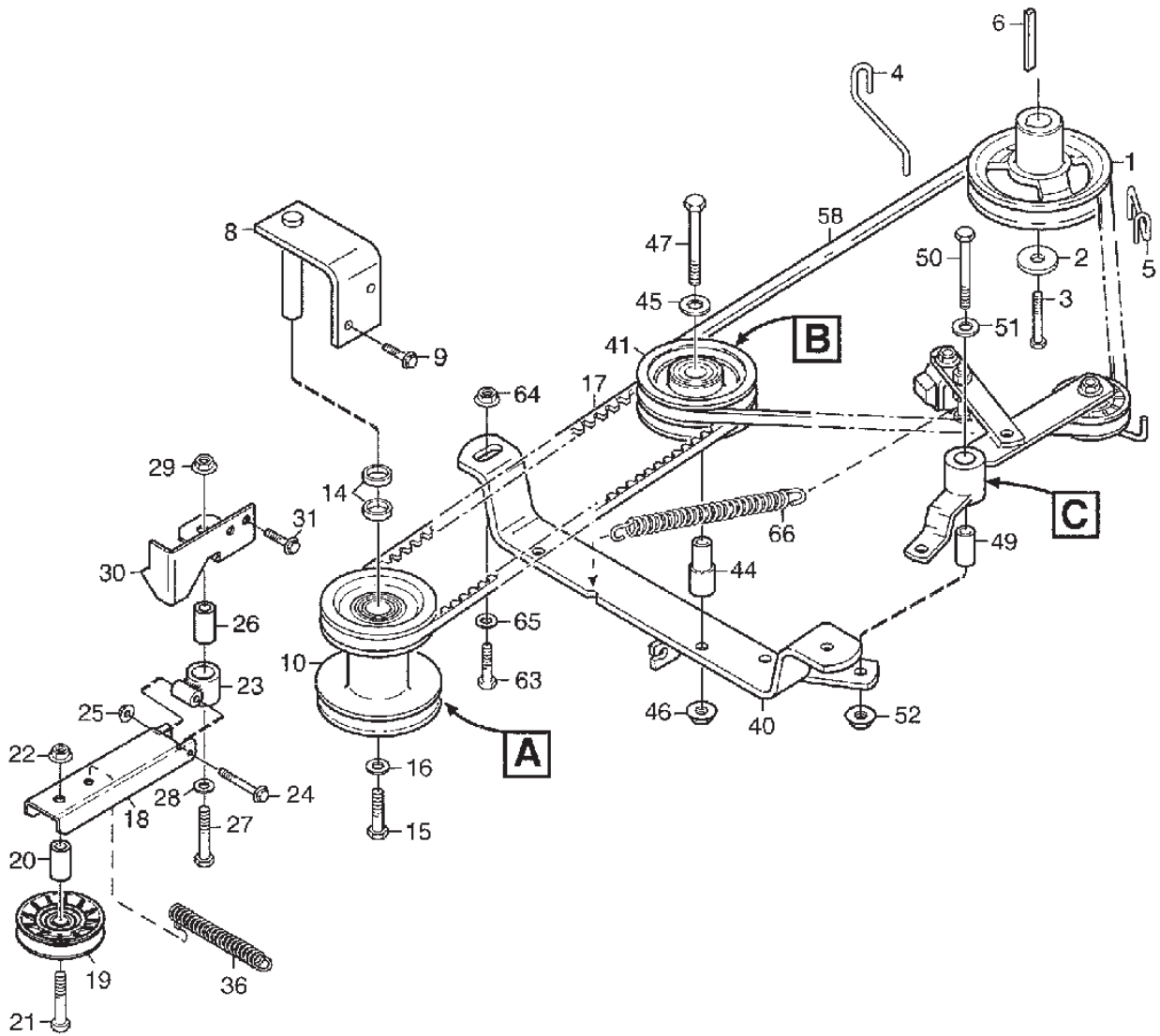




| Utgåva<br>Issue<br>20 - 2015 |               | Transmission      |                        | Transmission           |                     |
|------------------------------|---------------|-------------------|------------------------|------------------------|---------------------|
| Pos.<br>Fig.                 | Antal<br>Q.ty | Art nr<br>Part No | Benämning              | Description            | Anmärkning<br>Notes |
| 1                            | 1             | 1134-4611-01      | Motorremskiva          | Engine Belt Pulley     |                     |
| 4                            | 1             | 1134-5414-01      | Remstyrning            | Belt Guide             |                     |
| 5                            | 1             | 9699-0056-02      | Bricka                 | Washer                 |                     |
| 6                            | 1             | 1134-4519-01      | Spännarm Kpl. 5-01 F15 | Tension Arm            |                     |
| 7                            | 1             | 1134-3053-01      | Spännrulle             | Tension Roller         |                     |
| 7                            | 1             | 1134-9091-01      | Spännrulle             | Tension Roller         |                     |
| 8                            | 1             | 1134-4614-01      | Distans                | Spacer                 |                     |
| 9                            | 1             | 9997-1040-16      | Skruv                  | Screw                  |                     |
| 10                           | 1             | 9699-0035-02      | Bricka                 | Washer                 |                     |
| 11                           | 1             | 9739-1031-22      | Mutter                 | Nut                    |                     |
| 12                           | 1             | 1134-9027-01      | Spännrulle (Svart)     | Tension Roller (Black) |                     |
| 13                           | 1             | 1134-1795-01      | Remhallare             | Belt Stirrup           |                     |
| 14                           | 1             | 9997-1040-16      | Skruv                  | Screw                  |                     |
| 15                           | 2             | 9699-0035-02      | Bricka                 | Washer                 |                     |
| 16                           | 1             | 9739-1031-22      | Mutter                 | Nut                    |                     |
| 17                           | 1             | 1134-9064-01      | Kilrem                 | V-Belt                 | = 9585-0099-01      |
| 18                           | 1             | 1134-1565-08      | Distans                | Spacer                 |                     |
| 19                           | 1             | 9997-0865-12      | Skruv                  | Screw                  |                     |
| 19                           | 1             | 9997-0870-16      | Skruv                  | Screw                  |                     |
| 20                           | 2             | 9699-0056-02      | Bricka                 | Washer                 |                     |
| 21                           | 1             | 9739-0831-22      | Mutter                 | Nut                    |                     |
| 22                           | 1             | 1134-5214-01      | Fjäder                 | Spring                 |                     |
| 23                           | 1             | 1134-4846-01      | Transaxel (K46)        | Transaxle (K46)        | Kanzaki K46AG       |
| 24                           | 4             | 9997-0865-12      | Skruv                  | Screw                  |                     |
| 24                           | 4             | 9997-0870-16      | Skruv                  | Screw                  |                     |
| 25                           | 4             | 9747-0831-02      | Mutter                 | Nut                    |                     |
| 26                           | 1             | 1134-4588-01      | Momentstag5-01 F24     | Strut                  |                     |
| 27                           | 1             | 9945-0816-16      | Skruv                  | Screw                  |                     |
| 28                           | 1             | 9997-0840-16      | Skruv                  | Screw                  |                     |
| 29                           | 1             | 9747-0831-02      | Mutter                 | Nut                    |                     |
| 40                           | 1             | 1134-4713-01      | Vinkelfäste            | Angle Bracket          |                     |
| 41                           | 1             | 1134-2790-01      | Kabelgenomföring       | Cable Protection       |                     |
| 42                           | 1             | 1134-5156-01      | Dragstang              | Pull Rod               |                     |
| 43                           | 1             | 1134-4014-01      | Plastknopp             | Knob                   |                     |
| 44                           | 1             | 9675-0009-02      | Starlockbricka         | Starlock               |                     |
| 45                           | 1             | 9945-0816-16      | Skruv                  | Screw                  |                     |
| 51                           | 1             | 1134-2138-01      | Skruvögla              | Eye Bolt               |                     |
| 52                           | 1             | 1134-4779-01      | Bussning               | Bushing                |                     |
| 53                           | 1             | 9739-0831-22      | Mutter                 | Nut                    |                     |
| 54                           | 1             | 9747-0831-02      | Mutter                 | Nut                    |                     |
| 55                           | 1             | 1134-5319-01      | Remstyrning            | Belt Guide             |                     |
| 56                           | 1             | 9699-0056-02      | Bricka                 | Washer                 |                     |

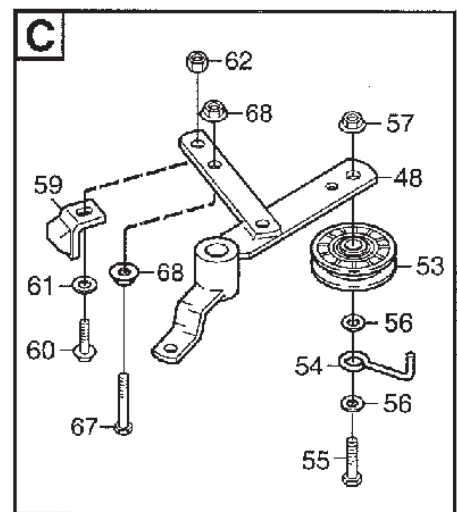
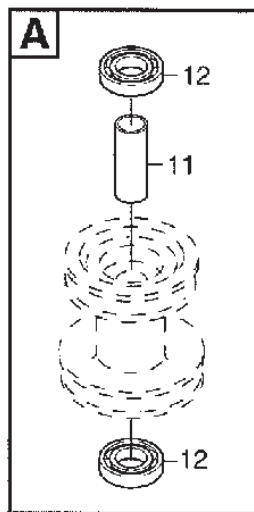
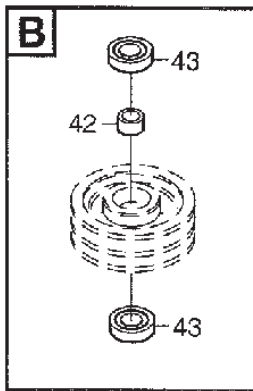
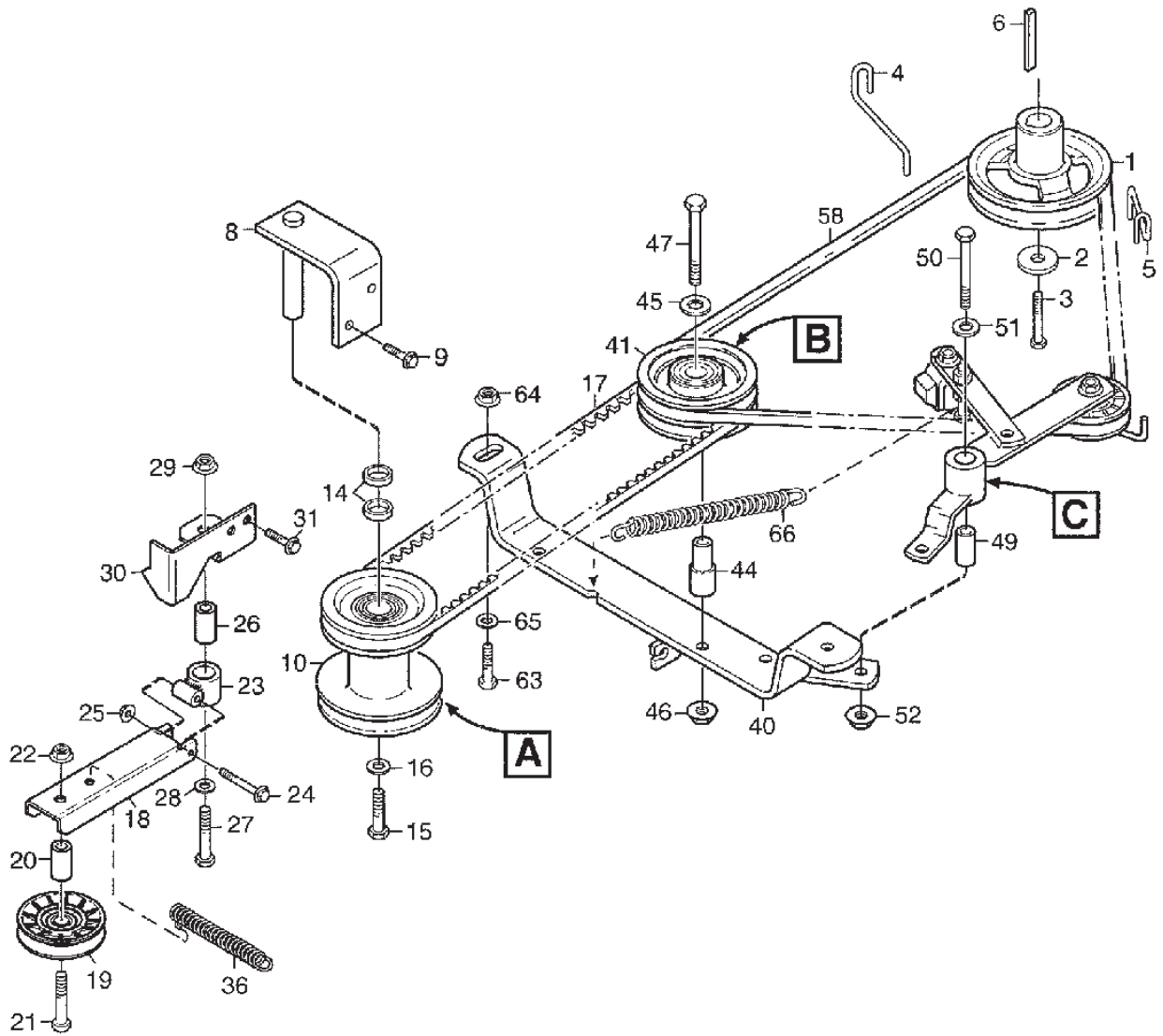


| Utgåva<br>Issue<br>20 - 2015 |               | Hjul<br>Wheels    |                           |                           |                     |
|------------------------------|---------------|-------------------|---------------------------|---------------------------|---------------------|
| Pos.<br>Fig.                 | Antal<br>Q.ty | Art nr<br>Part No | Benämning                 | Description               | Anmärkning<br>Notes |
| 1                            | 1             | 1134-5012-01      | Bakaxel                   | Rear Axle                 |                     |
| 2                            | 2             | 9501-0500-00      | Smörjkopp Kort Rak        | Grease Dispenser          |                     |
| 3                            | 1             | 1134-5009-02      | Spindel Kpl-Vä (5-01 H40) | Stub Axle                 |                     |
| 4                            | 1             | 1134-5009-01      | Spindel Kpl-Hö (5-01 H40) | Right Stub Axle           |                     |
| 5                            | 2             | 9699-0088-02      | Bricka                    | Washer                    |                     |
| 6                            | 2             | 9650-0020-04      | Sparring Sga 20           | Circlip                   |                     |
| 7                            | 1             | 1134-1500-03      | Linhjul                   | Steering Pulley           |                     |
| 8                            | 1             | 1134-1583-01      | Axel                      | Shaft For Steering Pulley |                     |
| 9                            | 1             | 1134-9024-01      | Lager (4 St)              | Bearing                   | Sats 4 st/kit of 4  |
| 10                           | 1             | 1134-0341-01      | Bricka                    | Washer                    |                     |
| 11                           | 1             | 9650-0020-04      | Sparring Sga 20           | Circlip                   |                     |
| 12                           | 2             | 1134-3247-05      | Styrstag                  | Tie Rod                   |                     |
| 13                           | 2             | 9997-0825-16      | Skruv                     | Screw                     | L = 25 mm           |
| 13                           | 1             | 9997-0835-12      | Skruv                     | Screw                     | L = 35 mm           |
| 14                           | 2             | 9699-0028-02      | Bricka                    | Washer                    |                     |
| 15                           | 3             | 9747-0831-02      | Mutter                    | Nut                       |                     |
| 16                           | 2             | 1134-4706-01      | Fälg (3.50 X 6)           | Rim                       |                     |
| 17                           | 1             | 1134-9026-01      | Bussning                  | Bearing                   | Sats 4 st/kit of 4  |
| 18                           | 2             | 9545-0125-01      | Däck                      | Tyre                      | 14 x 5.50 - 6       |
| 19                           | 2             | 9545-0500-00      | Ventil                    | Valve Assy.               |                     |
| 20                           | 2             | 1134-0341-01      | Bricka                    | Washer                    |                     |
| 21                           | 2             | 9650-0020-04      | Sparring Sga 20           | Circlip                   |                     |
| 22                           | 2             | 1134-4344-01      | Kapsel (Svart)            | Hub Cap Black             |                     |
| 25                           | 1             | 9501-0500-00      | Smörjkopp Kort Rak        | Grease Dispenser          |                     |
| 26                           | 1             | 9699-0088-02      | Bricka                    | Washer                    |                     |
| 27                           | 1             | 9650-0020-04      | Sparring Sga 20           | Circlip                   |                     |
| 28                           | 2             | 1134-4558-01      | Fälg                      | Rim                       |                     |
| 29                           | 2             | 9545-0116-00      | Däck                      | Tyre                      | 16 x 7.50 - 8       |
| 30                           | 2             | 9545-0500-00      | Ventil                    | Valve Assy.               |                     |
| 31                           | 6             | 9699-0035-02      | Bricka                    | Washer                    |                     |
| 32                           | 6             | 9747-1031-02      | Mutter                    | Nut                       |                     |
| 33                           | 2             | 1134-2471-03      | Kil                       | Key                       |                     |
| 34                           | 2             | 9653-0001-04      | Sparrytare Rs             | Lock Ring                 |                     |
| 35                           | 4             | 1134-0341-01      | Bricka                    | Washer                    |                     |
| 36                           | 2             | 1134-4844-02      | Hjulnav Kpl               | Wheel Hub Assy            |                     |
| 37                           | 2             | 1134-4845-01      | Navhylsa                  | Hub Sleeve                |                     |
| 38                           | 2             | 1134-4981-01      | Bricka                    | Washer                    |                     |



**STIGA**  
1512A  
SPARE PARTS

| Utgåva<br>Issue<br>20 - 2015 |               | Power Take-Off    |                            |                          |                     |
|------------------------------|---------------|-------------------|----------------------------|--------------------------|---------------------|
| Pos.<br>Fig.                 | Antal<br>Q.ty | Art nr<br>Part No | Benämning                  | Description              | Anmärkning<br>Notes |
| 1                            | 1             | 1134-5046-01      | Motorremskiva              | Engine Pulley            |                     |
| 2                            | 1             | 1134-5017-01      | Bricka                     | Washer                   |                     |
| 3                            | 1             | 9987-5332-16      | Skruv                      | Screw                    |                     |
| 4                            | 1             | 1134-5058-01      | Remstyrning                | Belt Guide               |                     |
| 5                            | 1             | 1134-5057-01      | Remstyrning                | Belt Guide               |                     |
| 6                            | 1             | 9600-0251-01      | Kil                        | Key                      | L = 2 1/2"          |
| 8                            | 1             | 1134-4650-01      | Monteringsbygel5-01 H40    | Pulley Bracket           |                     |
| 9                            | 2             | 9945-0816-16      | Skruv                      | Screw                    |                     |
| 10                           | 1             | 1134-4643-01      | Mellanremskiva Smst        | Intermediate Belt Pulley |                     |
| 11                           | 1             | 1134-0051-12      | Distans                    | Spacer                   |                     |
| 12                           | 2             | 9549-0019-00      | Kullager                   | Ball Bearing             |                     |
| 14                           | 2             | 1134-0052-00      | Distans                    | Spacer                   |                     |
| 15                           | 1             | 9997-1040-16      | Skruv                      | Screw                    |                     |
| 16                           | 1             | 9699-0035-02      | Bricka                     | Washer                   |                     |
| 17                           | 1             | 1134-9079-01      | Drivrem                    | Drive Belt               | = 9585-0139-01      |
| 18                           | 1             | 1134-5231-01      | Spännarm 5-01 F24          | Tension Arm              |                     |
| 19                           | 1             | 1134-9027-01      | Spännrulle (Svart)         | Tension Roller (Black)   |                     |
| 20                           | 1             | 1134-4619-01      | Distans                    | Spacer                   |                     |
| 21                           | 1             | 9997-1060-12      | Skruv                      | Screw                    |                     |
| 22                           | 1             | 9739-1031-22      | Mutter                     | Nut                      |                     |
| 23                           | 1             | 1134-5232-01      | Spännarmsfäste             | Holder-Tension Arm       |                     |
| 24                           | 1             | 9997-0640-12      | Skruv                      | Screw                    |                     |
| 25                           | 1             | 9747-0631-02      | Mutter                     | Nut                      |                     |
| 26                           | 1             | 1134-4619-01      | Distans                    | Spacer                   |                     |
| 27                           | 1             | 9997-1040-16      | Skruv                      | Screw                    |                     |
| 28                           | 1             | 9699-0035-02      | Bricka                     | Washer                   |                     |
| 29                           | 1             | 9739-1031-22      | Mutter                     | Nut                      |                     |
| 30                           | 1             | 1134-4708-02      | Fäste                      | Bracket                  |                     |
| 31                           | 2             | 9945-0816-16      | Skruv                      | Screw                    |                     |
| 36                           | 1             | 1131-1507-00      | Fjäder                     | Spring                   |                     |
| 40                           | 1             | 1134-5037-01      | Bygel Kpl (Svart) 5-01 F15 | Mounting Bracket (Black) |                     |
| 41                           | 1             | 1134-1769-02      | Remskiva                   | Belt Pulley              |                     |
| 42                           | 1             | 1134-0051-09      | Distans                    | Spacer                   |                     |
| 43                           | 2             | 9549-0019-00      | Kullager                   | Ball Bearing             |                     |
| 44                           | 1             | 1134-1839-02      | Mellanaxel                 | Shaft                    |                     |
| 45                           | 1             | 9699-0035-02      | Bricka                     | Washer                   |                     |
| 46                           | 1             | 9739-1031-22      | Mutter                     | Nut                      |                     |
| 47                           | 1             | 9997-1070-12      | Skruv                      | Screw                    |                     |
| 48                           | 1             | 1134-5541-01      | Kopplingsarm               | Clutch Lever             |                     |
| 49                           | 1             | 1134-1565-10      | Distans                    | Spacer                   |                     |
| 50                           | 1             | 9997-0860-16      | Skruv                      | Screw                    |                     |
| 51                           | 1             | 9699-0056-02      | Bricka                     | Washer                   |                     |
| 52                           | 1             | 9739-0831-22      | Mutter                     | Nut                      |                     |
| 53                           | 1             | 1134-9027-01      | Spännrulle (Svart)         | Tension Roller (Black)   |                     |
| 54                           | 1             | 1134-1795-01      | Remhallare                 | Belt Stirrup             |                     |
| 55                           | 1             | 9997-1040-16      | Skruv                      | Screw                    |                     |
| 56                           | 2             | 9699-0035-02      | Bricka                     | Washer                   |                     |
| 57                           | 1             | 9739-1031-22      | Mutter                     | Nut                      |                     |
| 58                           | 1             | 1134-9078-01      | Drivrem                    | Drive Belt               | = 9585-0138-01      |



**STIGA**  
1512A  
SPARE PARTS

| Utgåva<br>Issue<br>20 - 2015 |               | Power Take-Off    |                 |                 |                     |
|------------------------------|---------------|-------------------|-----------------|-----------------|---------------------|
| Pos.<br>Fig.                 | Antal<br>Q.ty | Art nr<br>Part No | Benämning       | Description     | Anmärkning<br>Notes |
| 59                           | 1             | 1134-4164-01      | Bromsklots      | Brake Pad       |                     |
| 60                           | 1             | 9959-0820-16      | Skruv           | Screw           |                     |
| 61                           | 1             | 9699-0090-02      | Bricka   Bricka | Washer   Washer |                     |
| 62                           | 1             | 9747-0831-02      | Mutter          | Nut             |                     |
| 63                           | 2             | 9959-0820-16      | Skruv           | Screw           |                     |
| 64                           | 2             | 9739-0831-22      | Mutter          | Nut             |                     |
| 65                           | 1             | 9699-0056-02      | Bricka          | Washer          |                     |
| 66                           | 1             | 1131-1506-00      | Fjäder          | Spring          |                     |
| 67                           | 1             | 9997-0860-16      | Skruv           | Screw           |                     |
| 68                           | 2             | 9739-0831-22      | Mutter          | Nut             |                     |

| code         | pos. | q.ty | page  |              |    |   |       |              |    |   |       |  |  |  |
|--------------|------|------|-------|--------------|----|---|-------|--------------|----|---|-------|--|--|--|
| 1111-2113-01 | 12   | 1    | p. 21 | 1134-4008-01 | 25 | 1 | p. 35 | 1134-4808-01 | 12 | 1 | p. 39 |  |  |  |
| 1131-1497-01 | 22   | 1    | p. 35 | 1134-4008-03 | 25 | 1 | p. 35 | 1134-4844-02 | 36 | 2 | p. 43 |  |  |  |
| 1131-1506-00 | 66   | 1    | p. 47 | 1134-4014-01 | 43 | 1 | p. 41 | 1134-4845-01 | 37 | 2 | p. 43 |  |  |  |
| 1131-1507-00 | 36   | 1    | p. 45 | 1134-4065-01 | 10 | 1 | p. 33 | 1134-4846-01 | 23 | 1 | p. 41 |  |  |  |
| 1134-0041-01 | 1    | 3    | p. 31 | 1134-4078-01 | 22 | 1 | p. 33 | 1134-4860-01 | 17 | 1 | p. 27 |  |  |  |
| 1134-0041-05 | 37   | 1    | p. 31 | 1134-4079-01 | 12 | 1 | p. 33 | 1134-4904-01 | 9  | 2 | p. 23 |  |  |  |
| 1134-0051-09 | 42   | 1    | p. 45 | 1134-4080-03 | 11 | 1 | p. 33 | 1134-4930-01 | 22 | 2 | p. 39 |  |  |  |
| 1134-0051-12 | 11   | 1    | p. 45 | 1134-4093-01 | 30 | 1 | p. 33 | 1134-4938-01 | 19 | 1 | p. 27 |  |  |  |
| 1134-0052-00 | 14   | 2    | p. 45 | 1134-4100-01 | 39 | 1 | p. 33 | 1134-4945-01 | 5  | 1 | p. 27 |  |  |  |
| 1134-0240-00 | 4    | 2    | p. 29 | 1134-4117-01 | 1  | 1 | p. 27 | 1134-4949-01 | 5  | 1 | p. 35 |  |  |  |
| 1134-0240-00 | 18   | 2    | p. 27 | 1134-4120-04 | 11 | 1 | p. 31 | 1134-4950-02 | 19 | 1 | p. 29 |  |  |  |
| 1134-0240-00 | 23   | 1    | p. 33 | 1134-4129-01 | 38 | 3 | p. 33 | 1134-4950-02 | 43 | 1 | p. 33 |  |  |  |
| 1134-0240-00 | 37   | 2    | p. 35 | 1134-4164-01 | 59 | 1 | p. 47 | 1134-4972-01 | 53 | 1 | p. 35 |  |  |  |
| 1134-0341-01 | 10   | 1    | p. 43 | 1134-4176-01 | 14 | 4 | p. 23 | 1134-4981-01 | 38 | 2 | p. 43 |  |  |  |
| 1134-0341-01 | 20   | 2    | p. 43 | 1134-4185-01 | 3  | 2 | p. 21 | 1134-5009-01 | 4  | 1 | p. 43 |  |  |  |
| 1134-0341-01 | 35   | 4    | p. 43 | 1134-4190-01 | 85 | 1 | p. 17 | 1134-5009-02 | 3  | 1 | p. 43 |  |  |  |
| 1134-0433-00 | 19   | 1    | p. 39 | 1134-4211-02 | 12 | 1 | p. 29 | 1134-5012-01 | 1  | 1 | p. 43 |  |  |  |
| 1134-1242-02 | 53   | 1    | p. 33 | 1134-4222-02 | 4  | 1 | p. 39 | 1134-5017-01 | 2  | 1 | p. 45 |  |  |  |
| 1134-1305-03 | 15   | 1    | p. 31 | 1134-4223-01 | 2  | 1 | p. 29 | 1134-5032-01 | 18 | 1 | p. 29 |  |  |  |
| 1134-1310-01 | 7    | 1    | p. 31 | 1134-4223-01 | 2  | 1 | p. 29 | 1134-5037-01 | 40 | 1 | p. 45 |  |  |  |
| 1134-1500-03 | 7    | 1    | p. 43 | 1134-4242-01 | 25 | 2 | p. 33 | 1134-5046-01 | 1  | 1 | p. 45 |  |  |  |
| 1134-1565-06 | 27   | 1    | p. 31 | 1134-4256-01 | 13 | 1 | p. 29 | 1134-5057-01 | 5  | 1 | p. 45 |  |  |  |
| 1134-1565-08 | 18   | 1    | p. 41 | 1134-4344-01 | 22 | 2 | p. 43 | 1134-5058-01 | 4  | 1 | p. 45 |  |  |  |
| 1134-1565-10 | 49   | 1    | p. 45 | 1134-4431-01 | 19 | 1 | p. 31 | 1134-5061-01 | 46 | 1 | p. 33 |  |  |  |
| 1134-1583-01 | 8    | 1    | p. 43 | 1134-4440-01 | 34 | 1 | p. 35 | 1134-5066-01 | 5  | 1 | p. 39 |  |  |  |
| 1134-1597-11 | 27   | 1    | p. 33 | 1134-4441-01 | 36 | 1 | p. 35 | 1134-5067-01 | 1  | 1 | p. 23 |  |  |  |
| 1134-1769-02 | 41   | 1    | p. 45 | 1134-4444-01 | 3  | 2 | p. 23 | 1134-5077-01 | 1  | 1 | p. 33 |  |  |  |
| 1134-1795-01 | 13   | 1    | p. 41 | 1134-4468-01 | 3  | 1 | p. 39 | 1134-5078-01 | 23 | 2 | p. 23 |  |  |  |
| 1134-1795-01 | 54   | 1    | p. 45 | 1134-4470-02 | 36 | 1 | p. 33 | 1134-5101-01 | 20 | 1 | p. 35 |  |  |  |
| 1134-1839-02 | 44   | 1    | p. 45 | 1134-4472-01 | 34 | 1 | p. 33 | 1134-5156-01 | 42 | 1 | p. 41 |  |  |  |
| 1134-1901-01 | 16   | 2    | p. 31 | 1134-4472-01 | 34 | 1 | p. 33 | 1134-5163-01 | 26 | 1 | p. 39 |  |  |  |
| 1134-1933-01 | 20   | 1    | p. 31 | 1134-4481-02 | 44 | 1 | p. 31 | 1134-5173-02 | 23 | 1 | p. 31 |  |  |  |
| 1134-2042-02 | 8    | 1    | p. 37 | 1134-4483-01 | 14 | 1 | p. 31 | 1134-5177-01 | 42 | 1 | p. 31 |  |  |  |
| 1134-2138-01 | 6    | 1    | p. 35 | 1134-4487-02 | 5  | 1 | p. 33 | 1134-5179-01 | 6  | 1 | p. 29 |  |  |  |
| 1134-2138-01 | 14   | 1    | p. 35 | 1134-4519-01 | 6  | 1 | p. 41 | 1134-5179-01 | 6  | 1 | p. 29 |  |  |  |
| 1134-2138-01 | 51   | 1    | p. 41 | 1134-4541-01 | 13 | 1 | p. 21 | 1134-5214-01 | 22 | 1 | p. 41 |  |  |  |
| 1134-2310-01 | 29   | 1    | p. 37 | 1134-4558-01 | 28 | 2 | p. 43 | 1134-5216-01 | 41 | 1 | p. 31 |  |  |  |
| 1134-2471-03 | 33   | 2    | p. 43 | 1134-4588-01 | 26 | 1 | p. 41 | 1134-5231-01 | 18 | 1 | p. 45 |  |  |  |
| 1134-2551-01 | 47   | 1    | p. 33 | 1134-4590-01 | 21 | 1 | p. 33 | 1134-5232-01 | 23 | 1 | p. 45 |  |  |  |
| 1134-2609-01 | 6    | 2    | p. 21 | 1134-4592-01 | 16 | 1 | p. 23 | 1134-5244-03 | 99 | 1 | p. 23 |  |  |  |
| 1134-2684-01 | 4    | 2    | p. 27 | 1134-4610-01 | 4  | 1 | p. 37 | 1134-5244-06 | 99 | 1 | p. 23 |  |  |  |
| 1134-2700-01 | 27   | 2    | p. 35 | 1134-4611-01 | 1  | 1 | p. 41 | 1134-5244-07 | 99 | 1 | p. 23 |  |  |  |
| 1134-2780-01 | 26   | 2    | p. 35 | 1134-4614-01 | 8  | 1 | p. 41 | 1134-5245-01 | 14 | 1 | p. 21 |  |  |  |
| 1134-2790-01 | 41   | 1    | p. 41 | 1134-4617-01 | 13 | 1 | p. 35 | 1134-5288-01 | 40 | 1 | p. 35 |  |  |  |
| 1134-2877-03 | 6    | 1    | p. 39 | 1134-4619-01 | 20 | 1 | p. 45 | 1134-5293-01 | 2  | 1 | p. 25 |  |  |  |
| 1134-2960-02 | 13   | 1    | p. 21 | 1134-4619-01 | 26 | 1 | p. 45 | 1134-5318-01 | 32 | 1 | p. 37 |  |  |  |
| 1134-2962-01 | 26   | 1    | p. 37 | 1134-4624-01 | 2  | 2 | p. 35 | 1134-5319-01 | 55 | 1 | p. 41 |  |  |  |
| 1134-2975-05 | 9    | 1    | p. 39 | 1134-4627-01 | 7  | 1 | p. 21 | 1134-5339-01 | 4  | 1 | p. 25 |  |  |  |
| 1134-3022-01 | 2    | 3    | p. 31 | 1134-4628-05 | 3  | 1 | p. 29 | 1134-5358-01 | 48 | 1 | p. 33 |  |  |  |
| 1134-3022-01 | 38   | 1    | p. 31 | 1134-4643-01 | 10 | 1 | p. 45 | 1134-5378-01 | 23 | 1 | p. 39 |  |  |  |
| 1134-3047-01 | 32   | 1    | p. 31 | 1134-4650-01 | 8  | 1 | p. 45 | 1134-5379-01 | 18 | 1 | p. 39 |  |  |  |
| 1134-3047-01 | 36   | 2    | p. 31 | 1134-4664-05 | 0  | 1 | p. 21 | 1134-5381-01 | 7  | 2 | p. 23 |  |  |  |
| 1134-3053-01 | 7    | 1    | p. 41 | 1134-4702-01 | 28 | 1 | p. 37 | 1134-5382-01 | 5  | 1 | p. 25 |  |  |  |
| 1134-3224-01 | 7    | 1    | p. 39 | 1134-4702-02 | 30 | 1 | p. 37 | 1134-5414-01 | 4  | 1 | p. 41 |  |  |  |
| 1134-3225-01 | 8    | 1    | p. 39 | 1134-4706-01 | 16 | 2 | p. 43 | 1134-5541-01 | 48 | 1 | p. 45 |  |  |  |
| 1134-3247-05 | 12   | 2    | p. 43 | 1134-4708-02 | 30 | 1 | p. 45 | 1134-5546-01 | 1  | 1 | p. 25 |  |  |  |
| 1134-3399-01 | 20   | 1    | p. 29 | 1134-4713-01 | 40 | 1 | p. 41 | 1134-5546-02 | 1  | 1 | p. 25 |  |  |  |
| 1134-3399-02 | 5    | 1    | p. 37 | 1134-4734-01 | 10 | 1 | p. 21 | 1134-6093-01 | 32 | 1 | p. 37 |  |  |  |
| 1134-3573-04 | 52   | 1    | p. 33 | 1134-4734-01 | 33 | 1 | p. 33 | 1134-9024-01 | 9  | 1 | p. 43 |  |  |  |
| 1134-3752-01 | 25   | 1    | p. 31 | 1134-4749-01 | 31 | 1 | p. 33 | 1134-9025-01 | 3  | 1 | p. 31 |  |  |  |
| 1134-3769-01 | 24   | 1    | p. 31 | 1134-4779-01 | 52 | 1 | p. 35 | 1134-9025-01 | 39 | 1 | p. 31 |  |  |  |
| 1134-3771-66 | 20   | 1    | p. 21 | 1134-4779-01 | 52 | 1 | p. 41 | 1134-9026-01 | 17 | 1 | p. 43 |  |  |  |
| 1134-3808-01 | 21   | 1    | p. 35 | 1134-4787-01 | 6  | 1 | p. 23 | 1134-9027-01 | 12 | 1 | p. 41 |  |  |  |
| 1134-3944-03 | 13   | 1    | p. 23 | 1134-4789-01 | 12 | 1 | p. 23 | 1134-9027-01 | 19 | 1 | p. 45 |  |  |  |
| 1134-3986-01 | 6    | 1    | p. 33 | 1134-4790-02 | 21 | 2 | p. 23 | 1134-9027-01 | 53 | 1 | p. 45 |  |  |  |
| 1134-4002-01 | 23   | 1    | p. 35 | 1134-4793-01 | 35 | 1 | p. 35 | 1134-9064-01 | 17 | 1 | p. 41 |  |  |  |
|              |      |      |       | 1134-4802-01 | 1  | 1 | p. 35 | 1134-9078-01 | 58 | 1 | p. 45 |  |  |  |
|              |      |      |       | 1134-4807-02 | 15 | 1 | p. 39 | 1134-9079-01 | 17 | 1 | p. 45 |  |  |  |



| code         | pos. | q.ty | page  |              |    |   |       |              |    |   |       |
|--------------|------|------|-------|--------------|----|---|-------|--------------|----|---|-------|
| 1134-9083-01 | 6    | 1    | p. 31 | 1139-1295-01 | 21 | 2 | p. 15 | 9675-0009-02 | 44 | 1 | p. 41 |
| 1134-9091-01 | 7    | 1    | p. 41 | 1139-1303-01 | 91 | 1 | p. 17 | 9675-0012-02 | 7  | 1 | p. 29 |
| 1139-0224-01 | 7    | 1    | p. 15 | 1139-1309-01 | 84 | 1 | p. 17 | 9675-0012-02 | 41 | 2 | p. 35 |
| 1139-0244-01 | 22   | 14   | p. 15 | 1139-1312-01 | 51 | 1 | p. 17 | 9694-0001-00 | 24 | 1 | p. 33 |
| 1139-1021-01 | 41   | 1    | p. 15 | 1139-1314-01 | 52 | 1 | p. 17 | 9694-0001-00 | 38 | 2 | p. 35 |
| 1139-1028-01 | 11   | 1    | p. 15 | 1139-1315-01 | 49 | 1 | p. 15 | 9695-0011-00 | 45 | 1 | p. 33 |
| 1139-1054-01 | 37   | 1    | p. 15 | 1139-1316-01 | 50 | 1 | p. 17 | 9699-0028-02 | 14 | 2 | p. 43 |
| 1139-1066-01 | 44   | 2    | p. 15 | 1139-1320-01 | 77 | 1 | p. 17 | 9699-0035-02 | 10 | 1 | p. 41 |
| 1139-1067-01 | 45   | 1    | p. 15 | 1139-1321-01 | 3  | 1 | p. 15 | 9699-0035-02 | 12 | 2 | p. 35 |
| 1139-1068-01 | 46   | 1    | p. 15 | 1139-1324-01 | 12 | 1 | p. 15 | 9699-0035-02 | 15 | 2 | p. 41 |
| 1139-1069-01 | 48   | 1    | p. 15 | 1139-1325-01 | 53 | 1 | p. 17 | 9699-0035-02 | 16 | 1 | p. 45 |
| 1139-1070-01 | 47   | 1    | p. 15 | 1139-1327-01 | 56 | 1 | p. 17 | 9699-0035-02 | 28 | 1 | p. 45 |
| 1139-1078-01 | 70   | 2    | p. 17 | 1139-1329-01 | 57 | 1 | p. 17 | 9699-0035-02 | 31 | 6 | p. 43 |
| 1139-1080-01 | 72   | 2    | p. 17 | 1139-1334-01 | 26 | 1 | p. 15 | 9699-0035-02 | 45 | 1 | p. 45 |
| 1139-1102-01 | 55   | 1    | p. 17 | 1139-1338-01 | 29 | 2 | p. 15 | 9699-0035-02 | 56 | 2 | p. 45 |
| 1139-1103-01 | 99   | 2    | p. 19 | 1139-1339-01 | 28 | 2 | p. 15 | 9699-0056-02 | 5  | 1 | p. 41 |
| 1139-1104-01 | 16   | 1    | p. 15 | 1139-1340-01 | 24 | 1 | p. 15 | 9699-0056-02 | 5  | 4 | p. 21 |
| 1139-1110-01 | 35   | 1    | p. 15 | 1139-1341-01 | 9  | 1 | p. 15 | 9699-0056-02 | 8  | 1 | p. 31 |
| 1139-1114-01 | 81   | 2    | p. 17 | 1139-1342-01 | 68 | 1 | p. 17 | 9699-0056-02 | 20 | 2 | p. 41 |
| 1139-1115-01 | 59   | 2    | p. 17 | 1139-1343-01 | 69 | 1 | p. 17 | 9699-0056-02 | 51 | 1 | p. 45 |
| 1139-1117-01 | 19   | 2    | p. 15 | 1139-1346-01 | 30 | 2 | p. 15 | 9699-0056-02 | 56 | 1 | p. 41 |
| 1139-1119-01 | 20   | 1    | p. 15 | 1139-1347-01 | 11 | 1 | p. 15 | 9699-0056-02 | 62 | 1 | p. 33 |
| 1139-1123-01 | 100  | 2    | p. 19 | 1139-1351-01 | 89 | 1 | p. 17 | 9699-0056-02 | 65 | 1 | p. 47 |
| 1139-1127-01 | 60   | 1    | p. 17 | 1139-1353-01 | 40 | 1 | p. 15 | 9699-0060-02 | 13 | 1 | p. 39 |
| 1139-1139-01 | 38   | 1    | p. 15 | 1139-1354-01 | 49 | 1 | p. 17 | 9699-0060-02 | 18 | 2 | p. 31 |
| 1139-1146-01 | 34   | 3    | p. 15 | 1139-1355-01 | 56 | 1 | p. 17 | 9699-0060-02 | 22 | 1 | p. 37 |
| 1139-1149-01 | 87   | 1    | p. 17 | 1139-1356-01 | 31 | 1 | p. 15 | 9699-0088-02 | 5  | 2 | p. 43 |
| 1139-1150-01 | 8    | 2    | p. 15 | 1139-1359-01 | 45 | 1 | p. 15 | 9699-0088-02 | 26 | 1 | p. 43 |
| 1139-1157-01 | 36   | 1    | p. 15 | 1139-1361-01 | 67 | 1 | p. 17 | 9699-0090-02 | 28 | 2 | p. 31 |
| 1139-1158-01 | 25   | 1    | p. 15 | 1139-1362-01 | 46 | 1 | p. 15 | 9699-0090-02 | 61 | 1 | p. 47 |
| 1139-1159-01 | 31   | 1    | p. 15 | 4231-0013-00 | 22 | 1 | p. 27 | 9699-0103-02 | 2  | 1 | p. 21 |
| 1139-1160-01 | 39   | 1    | p. 15 | 4231-0013-00 | 51 | 1 | p. 35 | 9699-0104-02 | 33 | 2 | p. 31 |
| 1139-1161-01 | 14   | 1    | p. 15 | 8211-0209-11 | 21 | 1 | p. 21 | 9699-0114-02 | 2  | 1 | p. 21 |
| 1139-1162-01 | 61   | 1    | p. 17 | 8211-0288-05 | 21 | 1 | p. 21 | 9710-0631-12 | 43 | 1 | p. 31 |
| 1139-1163-01 | 71   | 2    | p. 17 | 8211-0289-03 | 21 | 1 | p. 21 | 9739-0631-22 | 4  | 4 | p. 35 |
| 1139-1164-01 | 73   | 2    | p. 17 | 8211-0290-05 | 21 | 1 | p. 21 | 9739-0631-22 | 21 | 2 | p. 27 |
| 1139-1189-01 | 13   | 1    | p. 15 | 8211-2002-03 | 21 | 1 | p. 21 | 9739-0831-22 | 3  | 2 | p. 33 |
| 1139-1190-01 | 50   | 1    | p. 17 | 9400-0244-00 | 18 | 1 | p. 5  | 9739-0831-22 | 5  | 4 | p. 23 |
| 1139-1245-01 | 32   | 1    | p. 15 | 9400-0285-01 | 50 | 1 | p. 33 | 9739-0831-22 | 8  | 3 | p. 25 |
| 1139-1246-01 | 33   | 1    | p. 15 | 9403-0043-70 | 30 | 1 | p. 31 | 9739-0831-22 | 9  | 1 | p. 25 |
| 1139-1247-01 | 40   | 1    | p. 15 | 9403-0113-00 | 31 | 1 | p. 31 | 9739-0831-22 | 9  | 1 | p. 35 |
| 1139-1248-01 | 83   | 2    | p. 17 | 9404-0027-01 | 9  | 1 | p. 27 | 9739-0831-22 | 13 | 4 | p. 31 |
| 1139-1250-01 | 54   | 1    | p. 17 | 9500-9991-00 | 28 | 1 | p. 33 | 9739-0831-22 | 15 | 1 | p. 35 |
| 1139-1251-01 | 12   | 1    | p. 15 | 9501-0500-00 | 2  | 2 | p. 43 | 9739-0831-22 | 21 | 1 | p. 41 |
| 1139-1255-01 | 63   | 1    | p. 17 | 9501-0500-00 | 25 | 1 | p. 43 | 9739-0831-22 | 29 | 2 | p. 35 |
| 1139-1256-01 | 64   | 1    | p. 17 | 9545-0116-00 | 29 | 2 | p. 43 | 9739-0831-22 | 31 | 2 | p. 35 |
| 1139-1257-01 | 65   | 2    | p. 17 | 9545-0125-01 | 18 | 2 | p. 43 | 9739-0831-22 | 31 | 6 | p. 29 |
| 1139-1258-01 | 62   | 1    | p. 17 | 9545-0500-00 | 19 | 2 | p. 43 | 9739-0831-22 | 52 | 1 | p. 45 |
| 1139-1259-01 | 67   | 1    | p. 17 | 9545-0500-00 | 30 | 2 | p. 43 | 9739-0831-22 | 53 | 1 | p. 41 |
| 1139-1260-01 | 75   | 1    | p. 17 | 9549-0019-00 | 12 | 2 | p. 45 | 9739-0831-22 | 61 | 1 | p. 33 |
| 1139-1261-01 | 76   | 1    | p. 17 | 9549-0019-00 | 43 | 2 | p. 45 | 9739-0831-22 | 64 | 2 | p. 47 |
| 1139-1263-01 | 78   | 1    | p. 17 | 9578-0011-00 | 24 | 1 | p. 39 | 9739-0831-22 | 68 | 2 | p. 47 |
| 1139-1264-01 | 79   | 1    | p. 17 | 9578-0023-02 | 10 | 2 | p. 39 | 9739-1031-22 | 3  | 2 | p. 27 |
| 1139-1266-01 | 86   | 1    | p. 17 | 9579-0003-00 | 7  | 3 | p. 37 | 9739-1031-22 | 5  | 2 | p. 31 |
| 1139-1267-01 | 66   | 1    | p. 17 | 9579-0003-00 | 12 | 3 | p. 37 | 9739-1031-22 | 7  | 2 | p. 35 |
| 1139-1269-01 | 68   | 1    | p. 17 | 9595-0208-00 | 11 | 1 | p. 35 | 9739-1031-22 | 11 | 1 | p. 41 |
| 1139-1270-01 | 69   | 1    | p. 17 | 9595-0262-00 | 1  | 1 | p. 21 | 9739-1031-22 | 16 | 1 | p. 41 |
| 1139-1272-01 | 42   | 1    | p. 15 | 9595-0262-00 | 21 | 1 | p. 31 | 9739-1031-22 | 22 | 1 | p. 45 |
| 1139-1275-01 | 15   | 1    | p. 15 | 9595-0276-01 | 11 | 1 | p. 27 | 9739-1031-22 | 29 | 1 | p. 45 |
| 1139-1279-01 | 95   | 1    | p. 17 | 9598-0002-02 | 18 | 1 | p. 35 | 9739-1031-22 | 46 | 1 | p. 45 |
| 1139-1280-01 | 90   | 1    | p. 17 | 9600-0251-01 | 6  | 1 | p. 45 | 9739-1031-22 | 57 | 1 | p. 45 |
| 1139-1281-01 | 82   | 2    | p. 17 | 9650-0020-04 | 6  | 2 | p. 43 | 9747-0631-02 | 13 | 1 | p. 27 |
| 1139-1282-01 | 80   | 1    | p. 17 | 9650-0020-04 | 11 | 1 | p. 43 | 9747-0631-02 | 14 | 1 | p. 39 |
| 1139-1285-01 | 58   | 1    | p. 17 | 9650-0020-04 | 21 | 2 | p. 43 | 9747-0631-02 | 25 | 1 | p. 45 |
| 1139-1286-01 | 43   | 1    | p. 15 | 9650-0020-04 | 27 | 1 | p. 43 | 9747-0831-02 | 2  | 4 | p. 39 |
| 1139-1294-01 | 27   | 3    | p. 15 | 9650-0039-04 | 10 | 1 | p. 27 | 9747-0831-02 | 5  | 2 | p. 29 |
|              |      |      |       | 9653-0001-04 | 34 | 2 | p. 43 | 9747-0831-02 | 9  | 1 | p. 31 |

| code         | pos. | q.ty | page  |              |    |   |       |        |    |    |       |
|--------------|------|------|-------|--------------|----|---|-------|--------|----|----|-------|
| 9747-0831-02 | 10   | 1    | p. 35 | 9959-0825-16 | 29 | 2 | p. 29 | 690946 | 24 | 1  | p. 7  |
| 9747-0831-02 | 10   | 1    | p. 37 | 9959-1025-16 | 2  | 2 | p. 27 | 690947 | 26 | 1  | p. 7  |
| 9747-0831-02 | 15   | 3    | p. 43 | 9987-5332-16 | 3  | 1 | p. 45 | 690947 | 28 | 1  | p. 11 |
| 9747-0831-02 | 16   | 1    | p. 27 | 9997-0625-16 | 20 | 2 | p. 27 | 690958 | 1  | 2  | p. 13 |
| 9747-0831-02 | 16   | 1    | p. 35 | 9997-0630-12 | 45 | 1 | p. 31 | 690959 | 4  | 2  | p. 5  |
| 9747-0831-02 | 25   | 4    | p. 41 | 9997-0640-12 | 12 | 1 | p. 27 | 690964 | 7  | 2  | p. 3  |
| 9747-0831-02 | 26   | 1    | p. 33 | 9997-0640-12 | 24 | 1 | p. 45 | 690968 | 9  | 1  | p. 3  |
| 9747-0831-02 | 29   | 1    | p. 31 | 9997-0825-16 | 13 | 2 | p. 43 | 690968 | 22 | 1  | p. 11 |
| 9747-0831-02 | 29   | 1    | p. 41 | 9997-0835-12 | 13 | 1 | p. 43 | 691003 | 21 | 1  | p. 5  |
| 9747-0831-02 | 39   | 2    | p. 35 | 9997-0840-16 | 1  | 4 | p. 39 | 691003 | 24 | 2  | p. 9  |
| 9747-0831-02 | 54   | 1    | p. 35 | 9997-0840-16 | 28 | 1 | p. 41 | 691024 | 3  | 1  | p. 9  |
| 9747-0831-02 | 54   | 1    | p. 41 | 9997-0860-16 | 50 | 1 | p. 45 | 691029 | 9  | 1  | p. 11 |
| 9747-0831-02 | 62   | 1    | p. 47 | 9997-0860-16 | 67 | 1 | p. 47 | 691031 | 17 | 1  | p. 5  |
| 9747-1031-02 | 32   | 6    | p. 43 | 9997-0865-12 | 19 | 1 | p. 41 | 691031 | 32 | 1  | p. 11 |
| 9747-1231-02 | 15   | 1    | p. 29 | 9997-0865-12 | 24 | 4 | p. 41 | 691032 | 19 | 1  | p. 5  |
| 9794-5131-02 | 27   | 2    | p. 37 | 9997-0865-12 | 26 | 1 | p. 31 | 691032 | 31 | 1  | p. 11 |
| 9795-3531-02 | 11   | 1    | p. 37 | 9997-0870-16 | 19 | 1 | p. 41 | 691061 | 13 | 2  | p. 9  |
| 9829-8830-12 | 16   | 4    | p. 39 | 9997-0870-16 | 24 | 4 | p. 41 | 691095 | 12 | 2  | p. 3  |
| 9837-8914-12 | 11   | 2    | p. 21 | 9997-0870-16 | 30 | 1 | p. 35 | 691108 | 18 | 4  | p. 3  |
| 9838-9516-12 | 9    | 1    | p. 37 | 9997-1040-16 | 2  | 2 | p. 27 | 691119 | 7  | 1  | p. 9  |
| 9838-9516-12 | 24   | 3    | p. 35 | 9997-1040-16 | 4  | 3 | p. 31 | 691148 | 21 | 2  | p. 3  |
| 9838-9530-12 | 22   | 2    | p. 23 | 9997-1040-16 | 9  | 1 | p. 41 | 691183 | 10 | 4  | p. 9  |
| 9840-7716-16 | 51   | 2    | p. 33 | 9997-1040-16 | 14 | 1 | p. 41 | 691188 | 19 | 1  | p. 9  |
| 9849-8013-16 | 49   | 2    | p. 33 | 9997-1040-16 | 15 | 1 | p. 45 | 691224 | 17 | 1  | p. 11 |
| 9852-8013-16 | 6    | 2    | p. 37 | 9997-1040-16 | 27 | 1 | p. 45 | 691227 | 14 | 1  | p. 13 |
| 9852-8013-16 | 21   | 2    | p. 29 | 9997-1040-16 | 55 | 1 | p. 45 | 691251 | 8  | 1  | p. 9  |
| 9852-8013-16 | 49   | 2    | p. 33 | 9997-1060-12 | 21 | 1 | p. 45 | 691261 | 10 | 1  | p. 11 |
| 9893-0616-16 | 2    | 2    | p. 23 | 9997-1060-12 | 40 | 1 | p. 31 | 691265 | 3  | 1  | p. 11 |
| 9893-0616-16 | 3    | 2    | p. 25 | 9997-1070-12 | 47 | 1 | p. 45 | 691279 | 3  | 1  | p. 3  |
| 9893-0616-16 | 4    | 2    | p. 33 | 19203        | 34 | 1 | p. 9  | 691279 | 4  | 1  | p. 3  |
| 9893-0616-16 | 7    | 4    | p. 33 | 89838        | 19 | 1 | p. 5  | 691283 | 6  | 1  | p. 11 |
| 9893-0616-16 | 8    | 4    | p. 23 | 95162        | 4  | 2 | p. 13 | 691286 | 15 | 1  | p. 11 |
| 9893-0616-16 | 15   | 6    | p. 23 | 222698       | 7  | 1 | p. 5  | 691293 | 11 | 1  | p. 11 |
| 9893-0616-16 | 17   | 2    | p. 31 | 231855       | 22 | 1 | p. 13 | 691326 | 10 | 1  | p. 13 |
| 9893-0616-16 | 22   | 2    | p. 29 | 272475       | 14 | 1 | p. 3  | 691333 | 18 | 1  | p. 13 |
| 9893-0616-16 | 24   | 2    | p. 23 | 272475       | 23 | 1 | p. 11 | 691374 | 6  | 1  | p. 9  |
| 9893-0616-16 | 27   | 4    | p. 39 | 273280       | 15 | 1 | p. 3  | 691532 | 16 | 1  | p. 11 |
| 9893-0616-16 | 44   | 2    | p. 33 | 273280       | 20 | 1 | p. 11 | 691581 | 19 | 1  | p. 11 |
| 9897-0820-16 | 12   | 4    | p. 31 | 281165       | 27 | 1 | p. 13 | 691620 | 15 | 1  | p. 5  |
| 9897-0820-16 | 15   | 1    | p. 27 | 391086       | 3  | 1 | p. 5  | 691636 | 9  | 1  | p. 13 |
| 9897-0820-16 | 32   | 2    | p. 29 | 391086       | 25 | 1 | p. 11 | 691639 | 6  | 1  | p. 5  |
| 9898-0635-12 | 3    | 4    | p. 35 | 393537       | 11 | 1 | p. 9  | 691657 | 29 | 1  | p. 13 |
| 9924-1235-19 | 14   | 1    | p. 29 | 394358       | 5  | 1 | p. 13 | 691691 | 14 | 2  | p. 5  |
| 9943-0516-16 | 29   | 1    | p. 33 | 399265       | 2  | 1 | p. 5  | 691693 | 1  | 2  | p. 9  |
| 9943-0516-16 | 35   | 2    | p. 33 | 492341       | 14 | 1 | p. 9  | 691751 | 11 | 2  | p. 3  |
| 9943-0516-16 | 37   | 4    | p. 33 | 493880       | 15 | 1 | p. 9  | 691795 | 5  | 1  | p. 9  |
| 9945-0816-16 | 9    | 2    | p. 45 | 494381       | 25 | 1 | p. 13 | 691840 | 22 | 1  | p. 9  |
| 9945-0816-16 | 27   | 1    | p. 41 | 495800       | 15 | 1 | p. 13 | 691841 | 20 | 1  | p. 9  |
| 9945-0816-16 | 31   | 2    | p. 45 | 495856       | 5  | 1 | p. 3  | 691842 | 21 | 1  | p. 9  |
| 9945-0816-16 | 45   | 1    | p. 41 | 495857       | 8  | 1 | p. 3  | 691843 | 2  | 1  | p. 3  |
| 9946-0525-16 | 17   | 2    | p. 23 | 495933       | 26 | 1 | p. 13 | 691909 | 17 | 1  | p. 5  |
| 9959-0820-16 | 2    | 2    | p. 33 | 497608       | 13 | 1 | p. 11 | 691917 | 29 | 1  | p. 11 |
| 9959-0820-16 | 4    | 2    | p. 21 | 498030       | 17 | 1 | p. 13 | 691917 | 32 | 1  | p. 13 |
| 9959-0820-16 | 4    | 4    | p. 23 | 499586       | 6  | 2 | p. 3  | 691917 | 36 | 1  | p. 9  |
| 9959-0820-16 | 6    | 2    | p. 25 | 690227       | 2  | 2 | p. 13 | 691968 | 23 | 1  | p. 7  |
| 9959-0820-16 | 8    | 2    | p. 21 | 690323       | 14 | 2 | p. 11 | 691986 | 10 | 2  | p. 3  |
| 9959-0820-16 | 10   | 1    | p. 31 | 690360       | 24 | 8 | p. 3  | 692012 | 13 | 1  | p. 5  |
| 9959-0820-16 | 13   | 2    | p. 33 | 690372       | 18 | 1 | p. 11 | 692024 | 5  | 1  | p. 11 |
| 9959-0820-16 | 25   | 1    | p. 39 | 690372       | 31 | 2 | p. 9  | 692034 | 7  | 1  | p. 11 |
| 9959-0820-16 | 28   | 2    | p. 35 | 690480       | 5  | 1 | p. 9  | 692125 | 25 | 10 | p. 7  |
| 9959-0820-16 | 28   | 3    | p. 29 | 690525       | 24 | 1 | p. 13 | 692137 | 16 | 1  | p. 13 |
| 9959-0820-16 | 55   | 1    | p. 35 | 690564       | 23 | 2 | p. 3  | 692137 | 19 | 1  | p. 3  |
| 9959-0820-16 | 60   | 1    | p. 33 | 690577       | 21 | 1 | p. 13 | 692137 | 21 | 1  | p. 11 |
| 9959-0820-16 | 60   | 1    | p. 47 | 690602       | 11 | 1 | p. 13 | 692138 | 16 | 1  | p. 3  |
| 9959-0820-16 | 63   | 2    | p. 47 | 690802       | 13 | 1 | p. 13 | 692138 | 33 | 1  | p. 11 |
| 9959-0825-16 | 7    | 2    | p. 25 | 690804       | 4  | 1 | p. 9  | 692255 | 28 | 1  | p. 13 |
|              |      |      |       | 690822       | 13 | 1 | p. 3  | 692407 | 6  | 1  | p. 5  |

| code   | pos. | q.ty | page  |        |    |   |       |
|--------|------|------|-------|--------|----|---|-------|
| 692407 | 27   | 1    | p. 11 | 698375 | 1  | 1 | p. 5  |
| 692492 | 17   | 1    | p. 3  | 698375 | 1  | 1 | p. 5  |
| 692852 | 9    | 2    | p. 5  | 698377 | 1  | 1 | p. 5  |
| 693167 | 12   | 1    | p. 11 | 698377 | 1  | 1 | p. 5  |
| 693551 | 1    | 1    | p. 11 | 698413 | 42 | 1 | p. 9  |
| 693699 | 2    | 1    | p. 11 | 698469 | 3  | 2 | p. 5  |
| 693713 | 4    | 1    | p. 11 | 698516 | 12 | 1 | p. 9  |
| 693757 | 8    | 1    | p. 11 | 699016 | 22 | 1 | p. 5  |
| 694042 | 2    | 1    | p. 9  | 699027 | 12 | 1 | p. 13 |
| 694123 | 16   | 1    | p. 9  | 699044 | 32 | 1 | p. 9  |
| 694524 | 20   | 1    | p. 13 | 699331 | 3  | 1 | p. 13 |
| 696457 | 9    | 1    | p. 9  | 790019 | 6  | 1 | p. 13 |
| 697086 | 16   | 1    | p. 5  | 790024 | 8  | 1 | p. 13 |
| 697088 | 18   | 1    | p. 9  | 790025 | 19 | 1 | p. 13 |
| 697089 | 17   | 1    | p. 9  | 790028 | 30 | 1 | p. 13 |
| 697099 | 10   | 1    | p. 5  | 790031 | 31 | 1 | p. 13 |
| 697102 | 30   | 2    | p. 9  | 790175 | 7  | 1 | p. 13 |
| 697103 | 43   | 1    | p. 9  |        |    |   |       |
| 697104 | 10   | 1    | p. 5  |        |    |   |       |
| 697106 | 28   | 1    | p. 7  |        |    |   |       |
| 697109 | 9    | 1    | p. 5  |        |    |   |       |
| 697109 | 26   | 1    | p. 11 |        |    |   |       |
| 697110 | 27   | 1    | p. 7  |        |    |   |       |
| 697110 | 34   | 1    | p. 11 |        |    |   |       |
| 697112 | 8    | 1    | p. 5  |        |    |   |       |
| 697113 | 11   | 1    | p. 5  |        |    |   |       |
| 697122 | 35   | 1    | p. 9  |        |    |   |       |
| 697123 | 30   | 1    | p. 11 |        |    |   |       |
| 697123 | 33   | 1    | p. 13 |        |    |   |       |
| 697123 | 37   | 1    | p. 9  |        |    |   |       |
| 697124 | 12   | 1    | p. 5  |        |    |   |       |
| 697128 | 5    | 1    | p. 5  |        |    |   |       |
| 697133 | 29   | 1    | p. 9  |        |    |   |       |
| 697144 | 5    | 1    | p. 5  |        |    |   |       |
| 697151 | 24   | 1    | p. 11 |        |    |   |       |
| 697155 | 45   | 1    | p. 9  |        |    |   |       |
| 697156 | 14   | 2    | p. 5  |        |    |   |       |
| 697157 | 7    | 2    | p. 5  |        |    |   |       |
| 697184 | 18   | 1    | p. 5  |        |    |   |       |
| 697292 | 44   | 1    | p. 9  |        |    |   |       |
| 697352 | 25   | 1    | p. 9  |        |    |   |       |
| 697359 | 20   | 1    | p. 5  |        |    |   |       |
| 697361 | 20   | 1    | p. 3  |        |    |   |       |
| 697364 | 8    | 1    | p. 5  |        |    |   |       |
| 697377 | 1    | 1    | p. 5  |        |    |   |       |
| 697390 | 4    | 1    | p. 5  |        |    |   |       |
| 697391 | 11   | 1    | p. 5  |        |    |   |       |
| 697392 | 12   | 1    | p. 5  |        |    |   |       |
| 697394 | 22   | 1    | p. 3  |        |    |   |       |
| 697395 | 22   | 1    | p. 3  |        |    |   |       |
| 697396 | 1    | 1    | p. 3  |        |    |   |       |
| 697419 | 41   | 1    | p. 9  |        |    |   |       |
| 697420 | 40   | 1    | p. 9  |        |    |   |       |
| 697607 | 13   | 1    | p. 5  |        |    |   |       |
| 697611 | 15   | 1    | p. 5  |        |    |   |       |
| 697870 | 39   | 1    | p. 9  |        |    |   |       |
| 697897 | 28   | 4    | p. 9  |        |    |   |       |
| 698139 | 27   | 1    | p. 9  |        |    |   |       |
| 698174 | 23   | 1    | p. 13 |        |    |   |       |
| 698282 | 33   | 1    | p. 9  |        |    |   |       |
| 698329 | 26   | 1    | p. 9  |        |    |   |       |
| 698368 | 38   | 1    | p. 9  |        |    |   |       |
| 698371 | 2    | 1    | p. 5  |        |    |   |       |
| 698371 | 2    | 1    | p. 5  |        |    |   |       |
| 698373 | 2    | 1    | p. 5  |        |    |   |       |
| 698373 | 2    | 1    | p. 5  |        |    |   |       |