



Reservdelskatalog Parts Catalogue

VILLA II 107M

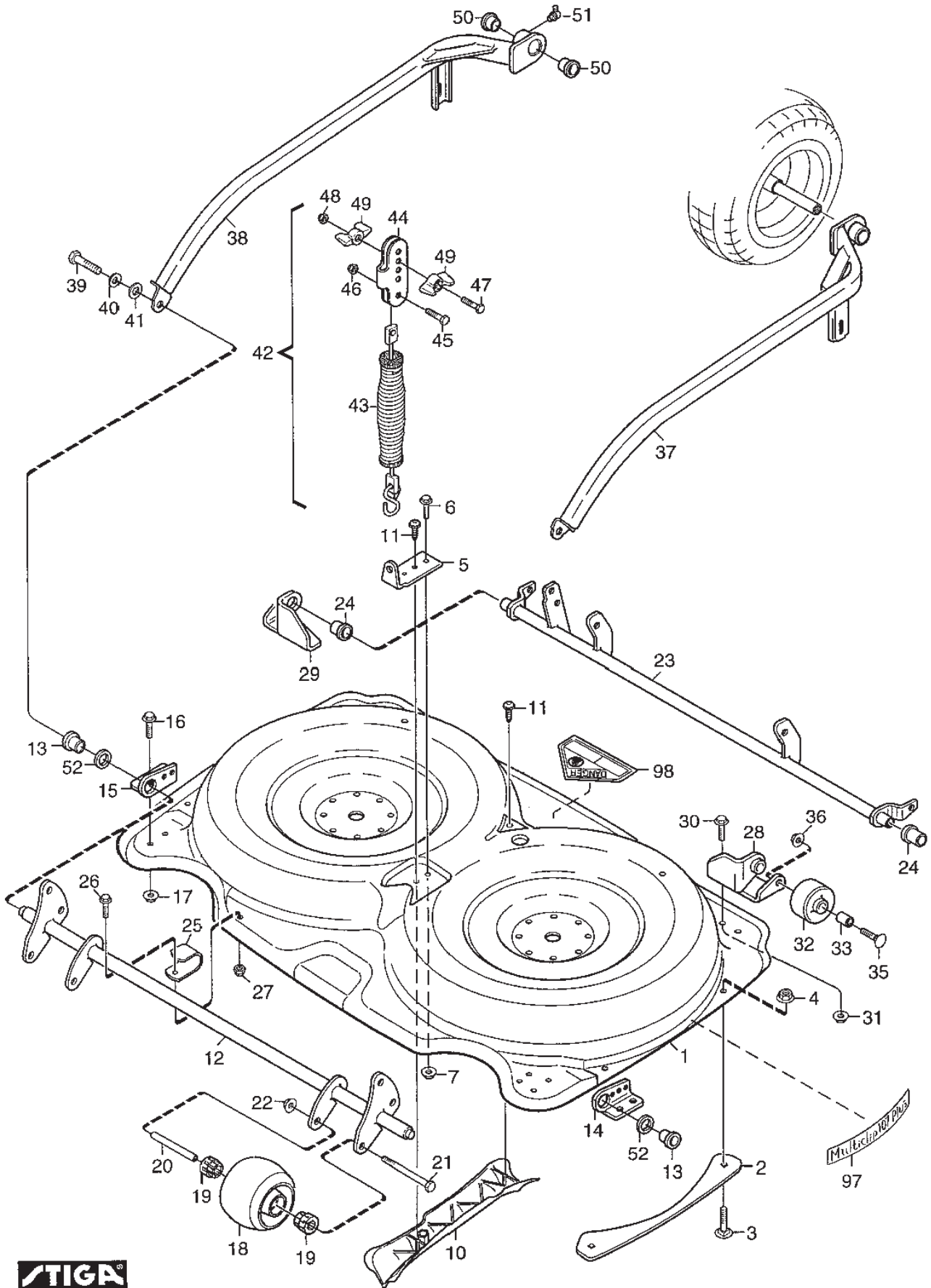
13-2930-26 - Season 2001

- Use GLOBAL GARDEN PRODUCT Genuine Spare Parts specified in the parts list for repair and/or replacement.
 - The contents described in the parts list may change due to improvement.
 - The drawings of the spare parts are only indicative and might not represent the part in question exactly.
 - The indications "right" - "left" - "front" - "rear" refer to the position of the operator when using the machine.
- When placing orders of parts for repair and/or replacement, make sure that the illustrated parts list is the one applying to the machine's year of manufacture, as shown on the identification plate attached to the machine.

© Copyright 2014 Global Garden Products

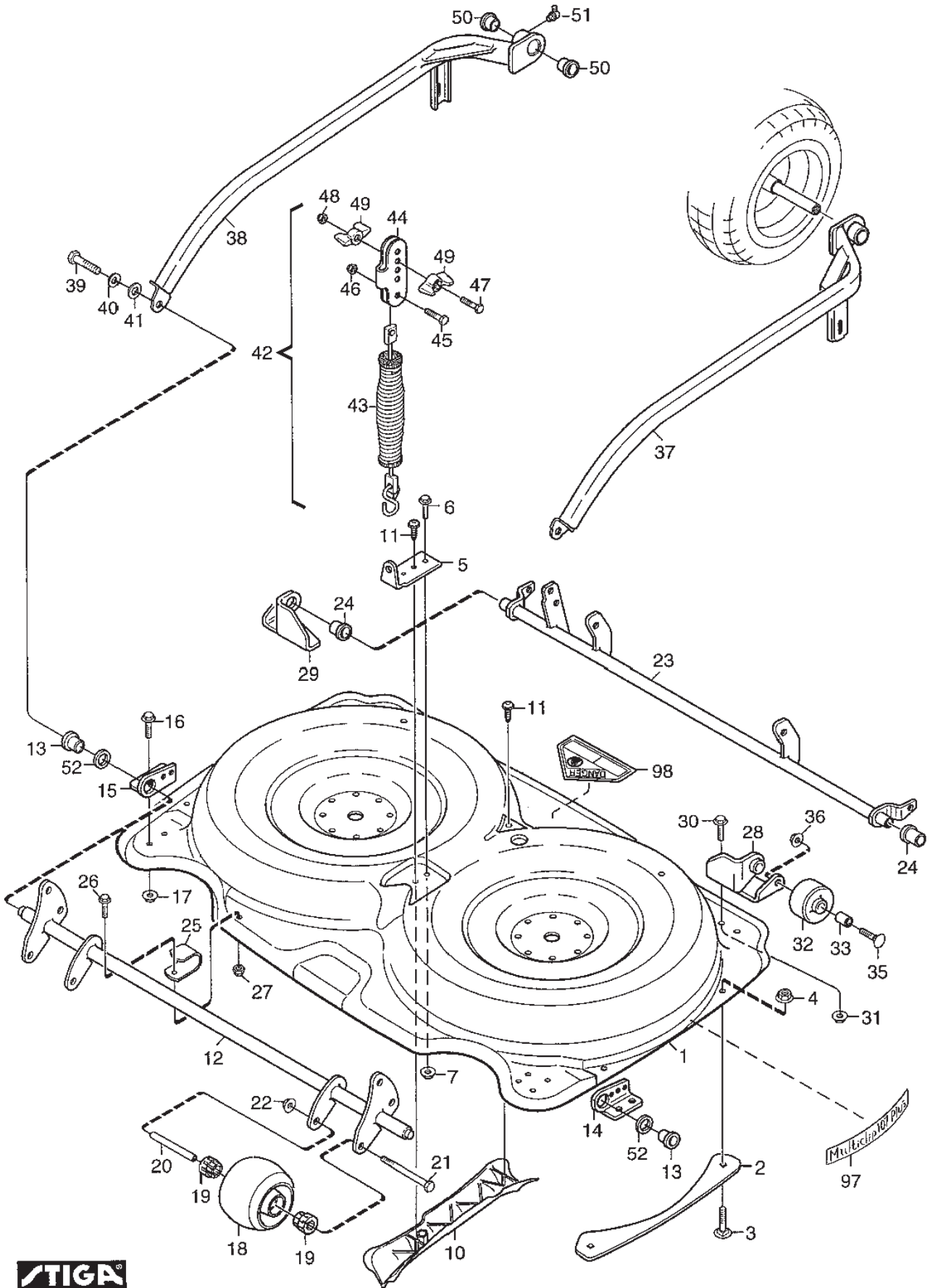
All rights reserved. No part of this material may be reproduced or transmitted, in any form or by any means, electronic or mechanical, including photocopying, recording or by any information storage and retrieval system, without permission in writing from GLOBAL GARDEN PRODUCTS.

www.stiga.com

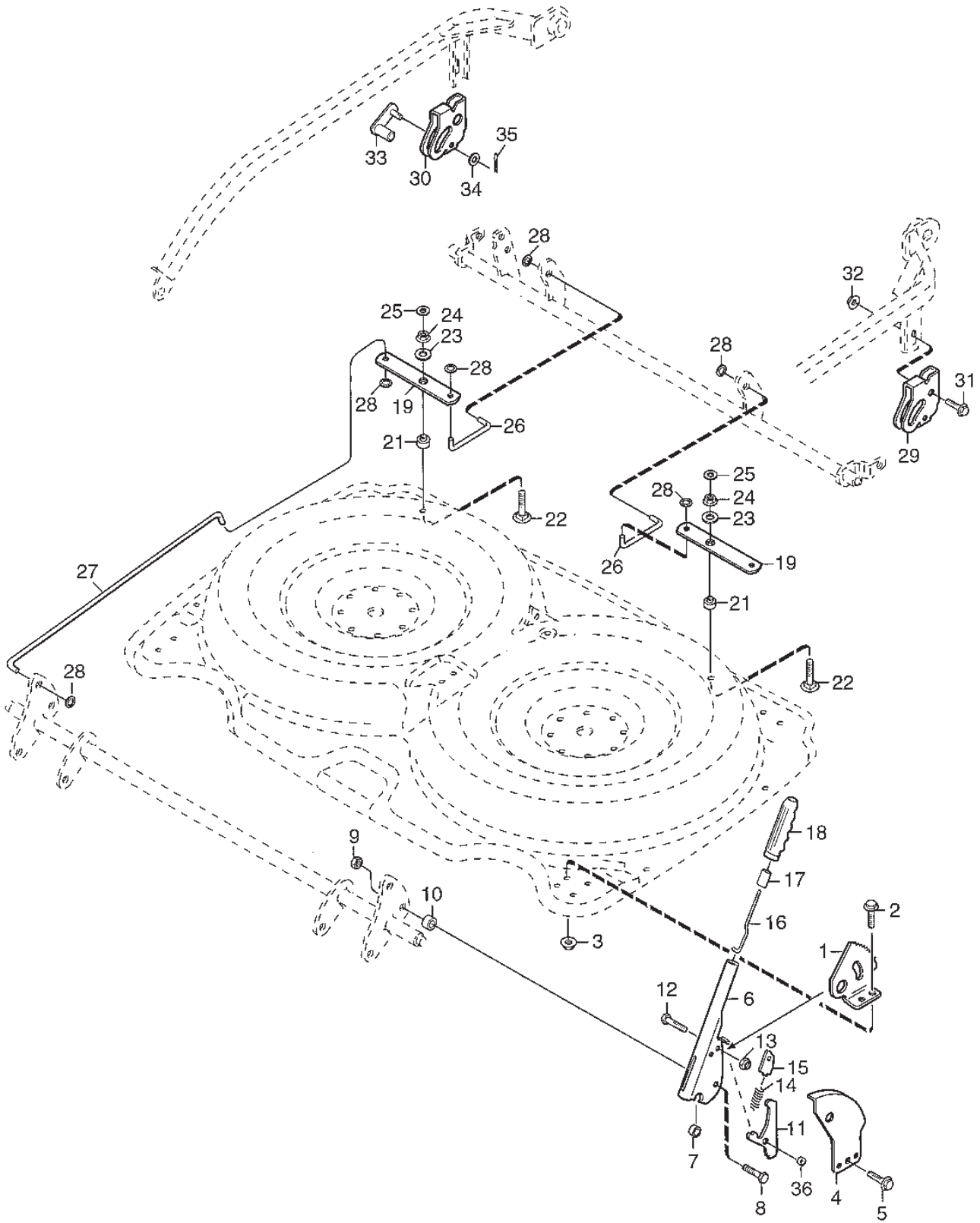


STIGA
1166A
SPARE PARTS

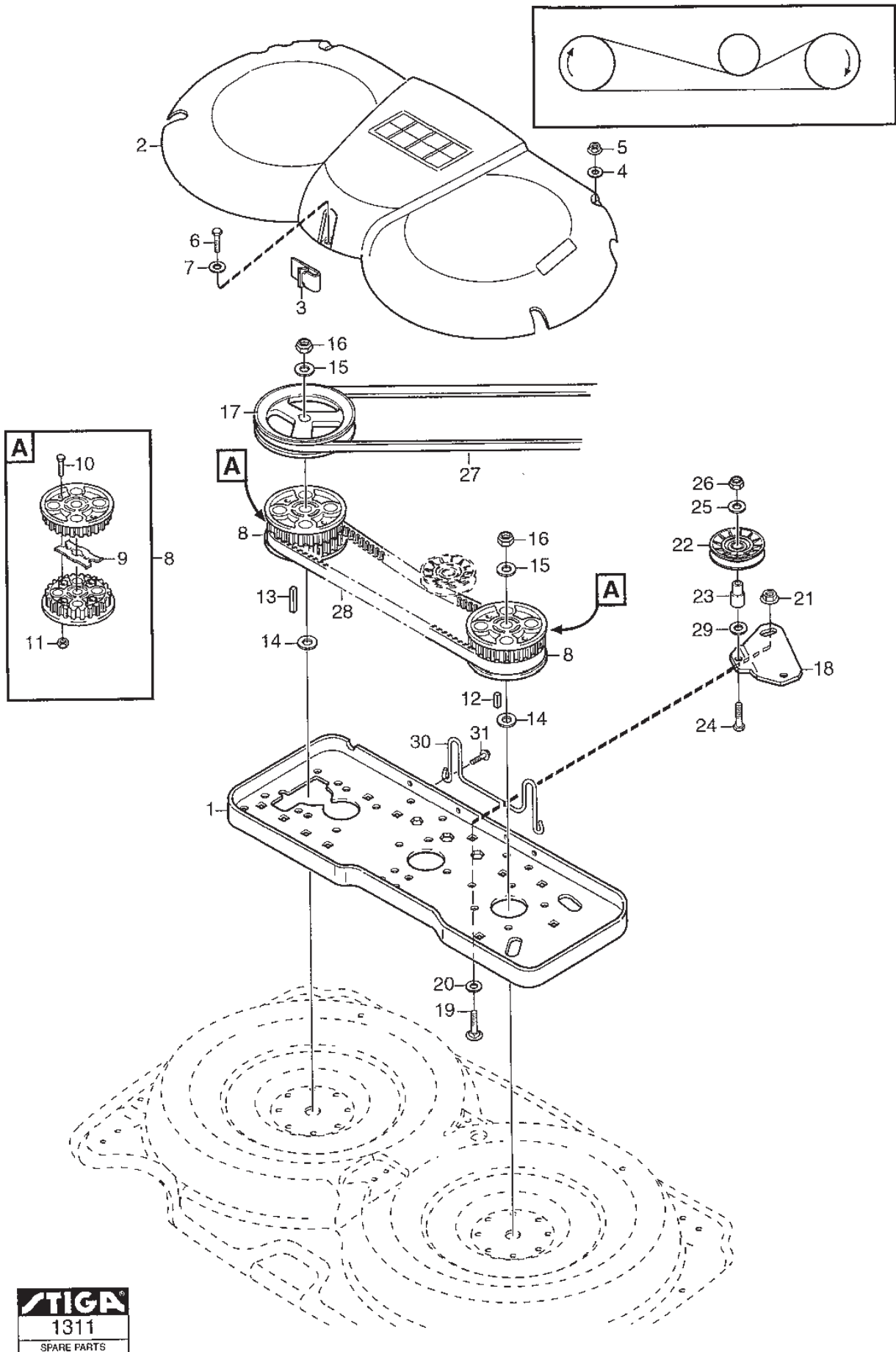
Utgåva Issue 48 - 2014					
Pos. Fig.	Antal Quantity	Art nr Part No	Benämning	Description	Anmärkning Notes
1	1	1134-5187-01	Klippdäck	Cutting Deck	
2	2	1134-4323-01	Ledplat	Guide Plate	
3	4	9897-0616-16	Skruv	Screw	
4	4	9739-0631-22	Mutter	Nut	
5	1	1134-4320-01	Lyftöra1-00 F12	Lift Bracket	
6	1	9959-0820-16	Skruv	Screw	
7	1	9739-0831-22	Mutter	Nut	
10	1	1134-4905-01	Ledskena	Guide Bar	
11	2	9836-9530-12	Skruv	Screw	
12	1	1134-4890-01	Framaxel Kpl 1-00 L04A	Front Axle	
13	1	1134-9024-01	Lager (4 St)	Bearing	Sats 4 st/kit of 4
14	1	1134-4292-01	Lagerfäste V 5-01F24	Bearing Holder-Lh	
15	1	1134-4292-02	Lagerfäste H 5-01 F 24	Bearing Support	
16	4	9959-0816-16	Skruv	Screw	
17	4	9739-0831-22	Mutter	Nut	
18	2	1134-4284-01	Hjul	Wheel	
19	4	1134-4319-01	Lager	Bearing	
20	2	1134-4318-01	Hjulaxel	Wheel Axle	
21	2	9997-0812-02	Skruv	Screw	
22	2	9739-0831-22	Mutter	Nut	
23	1	1134-4876-01	Bakaxel Kpl 1-00	Rear Axle	
24	1	1134-9024-01	Lager (4 St)	Bearing	Sats 4 st/kit of 4
25	2	1134-4689-01	Stöd	Support	
26	2	9959-0616-16	Skruv	Screw	
27	2	9747-0631-02	Mutter Lasmutter	Nut	
28	1	1134-4299-01	Fäste V 5-01 F24	Wheel Attachment-Lh	
29	1	1134-4299-02	Hjulfäste	Wheel Attachment-Rh	
30	4	9959-0816-16	Skruv	Screw	
31	4	9739-0831-22	Mutter	Nut	
32	2	1134-3434-01	Rulle	Roller	
33	2	1134-0041-05	Bussning	Bushing	
35	2	9898-1060-12	Skruv	Screw	
36	2	9739-1031-22	Mutter	Nut	
37	1	1134-4544-01	Aggregatsarm Kpl-Vä	Mower Deck Arm, Left	
38	1	1134-4544-02	Aggregatsarm Kpl-Hö	Mower Deck Arm, Right	
39	2	9997-1016-16	Skruv	Screw	
40	2	9699-0030-02	Bricka	Washer	10 x 26 x 2.0
41	2	9699-0104-02	Bricka	Washer	17 x 30 x 3.0
42	1	1134-4688-02	Tillbehörspase	Accessory Bag	Inkl. pos 43 - 49
43	1	1134-4574-01	Fjäder	Spring	
44	1	1134-4577-01	Fjäder	Spring	
45	1	9997-0825-16	Skruv	Screw	
46	1	9747-0831-02	Mutter Lasmutter	Nut	
47	1	9997-0835-12	Skruv	Screw	
48	1	9747-0831-02	Mutter Lasmutter	Nut	
49	2	1134-4481-01	Vingmutter	Wing Nut	
50	1	1134-9026-01	Bussning	Bearing	Sats 4 st/kit of 4
51	2	9501-0502-00	Smörjnippel	Grease Joint	
52	2	1134-4745-01	Bricka	Washer	



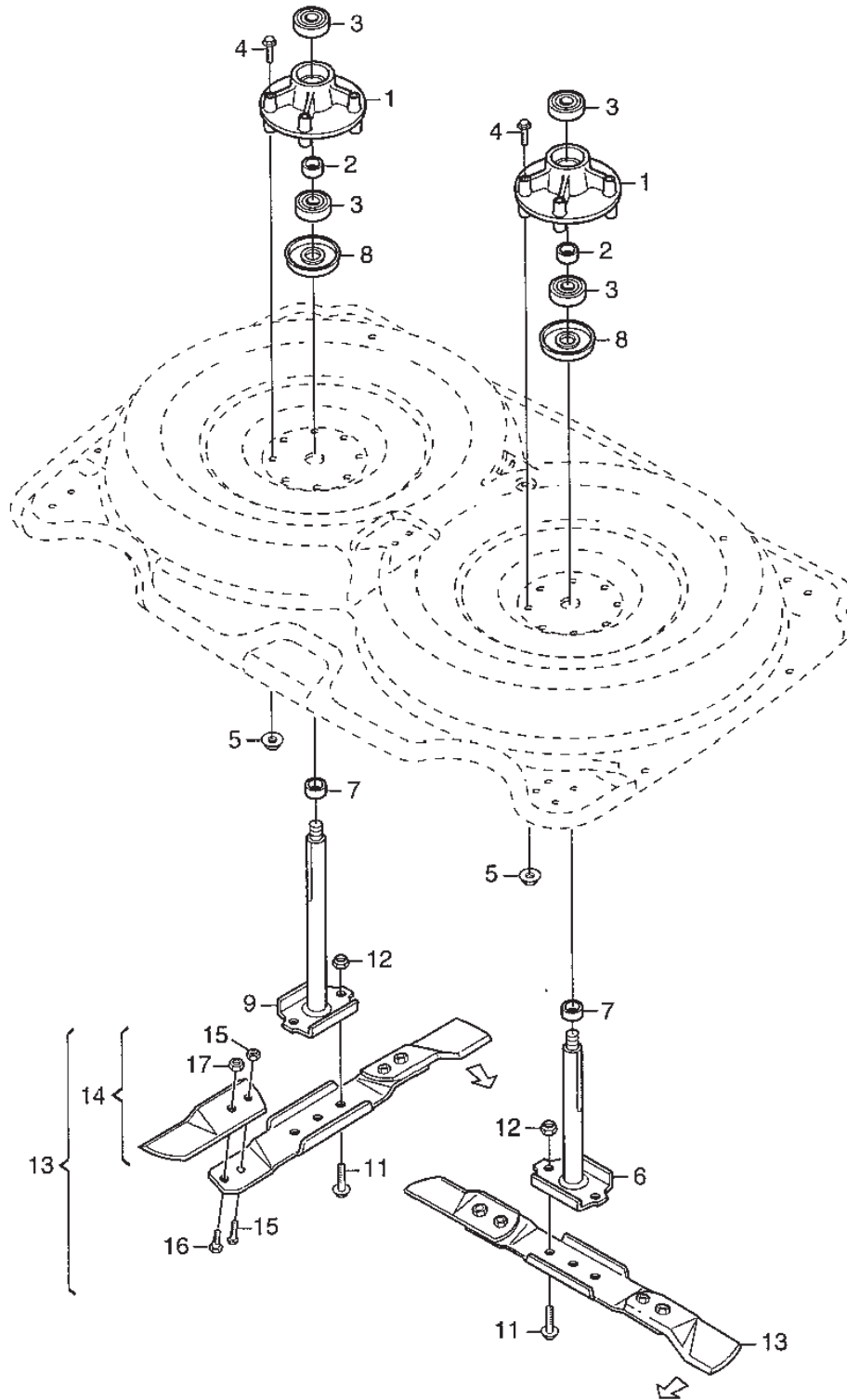
Utgåva Issue 48 - 2014					
Pos. Fig.	Antal Quantity	Art nr Part No	Benämning	Description	Anmärkning Notes
97	2	9402-3486-01	Dekal	Label	
98	1	9402-3124-00	Dekal	Label	US, CA



Utgåva Issue 48 - 2014		Reglage Controls			
Pos. Fig.	Antal Quantity	Art nr Part No	Benämning	Description	Anmärkning Notes
1	1	1134-4290-01	Höjdsegment	Height Adjust Quadrant	
2	2	9959-0816-16	Skruv	Screw	
3	2	9739-0831-22	Mutter	Nut	
4	1	1134-4291-03	Höjdsjusteringsplatta	Height Adjust Quadrant	
5	1	9945-0816-16	Skruv	Screw	
6	1	1134-5215-01	Höjdinställningsspak	Height Adjustment Lever	Inkl. pos 11 - 18, 36
7	1	1134-2427-01	Distans	Spacer	
8	1	9997-0840-16	Skruv	Screw	
9	1	9747-0831-02	Mutter Lasmutter	Nut	
10	1	1134-3113-03	Distans	Spacer	
11	1	1134-3010-02	Lassegment	Locking Quadrant	
12	1	9997-0620-16	Skruv	Screw	
13	1	9747-0631-02	Mutter Lasmutter	Nut	
14	1	1134-3262-01	Fjäder	Spring	
15	1	1134-3009-01	Laskil	Locking Key	
16	1	1134-3041-01	Reglagestang	Control Rod	
17	1	1134-3051-01	Lasratt	Locking Knob	
18	1	9406-0006-00	Handtag 01.100.026 Faca	Handle	
19	2	1134-4296-02	Länkmarm	Pivot Arm	
21	2	1134-4298-02	Distans	Spacer	
22	2	9897-0850-12	Skruv	Screw	
23	2	9699-0028-02	Bricka	Washer	
24	2	9747-0831-02	Mutter Lasmutter	Nut	
25	2	9699-0056-02	Bricka	Washer	
26	2	1134-4894-02	Tryckstang	Push Rod	
26	2	1134-4894-04	Tryckstang	Push Rod	
27	2	1134-4294-02	Tryckstang	Push Rod	
28	8	9675-0012-02	Starlock	Locking washer	
29	1	1134-4304-01	Justeringsplatta-vä	Adjusting Plate, Left	
30	1	1134-4304-02	Justeringsplatta-hö	Adjusting Plate, Right	
31	2	9959-0816-16	Skruv	Screw	
32	2	9739-0831-22	Mutter	Nut	
33	2	1134-4307-01	Lashake Kpl	Catch	
34	2	9699-0025-02	Bricka	Washer	
35	2	9599-0054-02	SaxSprint Saxsprint	Split Pin	
36	1	1134-5114-01	Distans	Spacer	



Utgåva Issue 48 - 2014					
Pos. Fig.	Antal Quantity	Art nr Part No	Benämning	Description	Anmärkning Notes
1	1	1134-4875-01	Transmissionsplatta	Transmission Plate	
2	1	1134-4865-01	Transmissionskapa (107M)	Transmission Cover (107M)	
3	3	1134-3632-01	Remstyrning	Belt Guide	
4	2	9699-0028-02	Bricka	Washer	
5	2	9747-0831-02	Mutter Lasmutter	Nut	
6	1	9942-0612-16	Skruv	Screw	
7	1	9699-0060-02	Bricka	Washer	
8	2	1134-3679-01	Kuggremskiva	Toothed Belt Pulley	
9	1	1134-3597-01	Medbringare	Reinforcement	
10	2	9997-0625-16	Skruv	Screw	
11	2	9747-0631-02	Mutter Lasmutter	Nut	
12	1	1134-0323-01	Plattkil	Key	L = 25 mm
13	1	1134-0323-04	Plattkil	Key	L = 40 mm
14	2	9699-0104-02	Bricka	Washer	
15	2	9699-0121-02	Bricka	Washer	12.5 x 35 x 3 mm
16	2	9712-1231-02	Lasmutter	Nut	M12
17	1	1134-4732-01	Remskiva	Belt Pulley	Ø = 163.5 mm
18	1	1134-4537-01	Spännarm	Tension Arm	
19	2	9897-0825-16	Skruv	Screw	
20	2	9699-0036-02	Bricka	Washer	
21	2	9739-0831-22	Mutter	Nut	
22	1	1134-9091-01	Spännrulle	Tension Roller	
23	1	1134-4316-03	Tapp	Shaft	
24	1	9997-1040-12	Skruv	Screw	
25	1	9699-0030-02	Bricka	Washer	
26	1	1134-4775-01	Mutter	Nut	
27	1	1134-9068-01	Kilrem	V-Belt	= 9585-0127-01
28	1	9585-0133-01	Kuggrem	Toothed Belt	
29	1	9699-0035-02	Bricka	Washer	
30	1	1134-4747-01	Bygel	Guide	
31	2	9945-0816-16	Skruv	Screw	



Utgåva Issue 48 - 2014					
Pos. Fig.	Antal Quantity	Art nr Part No	Benämning	Description	Anmärkning Notes
1	2	1134-5049-01	Lagerbox Kpl	Bearing Box Assy	
2	1	1134-3725-04	Distans	Spacer	
3	2	9549-0020-00	Kullager	Ball Bearing	
4	8	9997-0865-12	Skruv	Screw	
5	8	9739-0831-22	Mutter	Nut	
6	1	1134-5052-04	Knivaxel	Blade Shaft	
7	2	1134-3725-04	Distans	Spacer	
8	2	1134-3768-01	Skyddsbricka	Bearing Cover	
9	1	1134-5052-03	Knivaxel	Blade Shaft	
11	4	9997-0820-16	Skruv	Screw	
12	4	9747-0831-02	Mutter Lasmutter	Nut	
13	1	1134-9072-01	Kniv Balk	Blade Bar Assy	Sats 2 st/Kit of 2
14	2	1134-9074-01	Knivsats Kpl (Cw)	Blade Kit Assy (Cw)	2 knivar/2 blade tips
15	1	1134-9054-01	Brytbultsats	Shear Bolt Kit	6 bultar/6 bolts+nuts
16	2	1134-4479-01	Ansatsbult (M8)	Shoulder Bolt (M8)	
17	2	9712-0831-02	Lasmutter	Nut	

code	pos.	q.ty	page								
1134-0041-05	33	2	p. 3	1134-9072-01	13	1	p. 11	9997-1040-12	24	1	p. 9
1134-0323-01	12	1	p. 9	1134-9074-01	14	2	p. 11				
1134-0323-04	13	1	p. 9	1134-9091-01	22	1	p. 9				
1134-2427-01	7	1	p. 7	9402-3124-00	98	1	p. 5				
1134-3009-01	15	1	p. 7	9402-3486-01	97	2	p. 5				
1134-3010-02	11	1	p. 7	9406-0006-00	18	1	p. 7				
1134-3041-01	16	1	p. 7	9501-0502-00	51	2	p. 3				
1134-3051-01	17	1	p. 7	9549-0020-00	3	2	p. 11				
1134-3113-03	10	1	p. 7	9585-0133-01	28	1	p. 9				
1134-3262-01	14	1	p. 7	9599-0054-02	35	2	p. 7				
1134-3434-01	32	2	p. 3	9675-0012-02	28	8	p. 7				
1134-3597-01	9	1	p. 9	9699-0025-02	34	2	p. 7				
1134-3632-01	3	3	p. 9	9699-0028-02	4	2	p. 9				
1134-3679-01	8	2	p. 9	9699-0028-02	23	2	p. 7				
1134-3725-04	2	1	p. 11	9699-0030-02	25	1	p. 9				
1134-3725-04	7	2	p. 11	9699-0030-02	40	2	p. 3				
1134-3768-01	8	2	p. 11	9699-0035-02	29	1	p. 9				
1134-4284-01	18	2	p. 3	9699-0036-02	20	2	p. 9				
1134-4290-01	1	1	p. 7	9699-0056-02	25	2	p. 7				
1134-4291-03	4	1	p. 7	9699-0060-02	7	1	p. 9				
1134-4292-01	14	1	p. 3	9699-0104-02	14	2	p. 9				
1134-4292-02	15	1	p. 3	9699-0104-02	41	2	p. 3				
1134-4294-02	27	2	p. 7	9699-0121-02	15	2	p. 9				
1134-4296-02	19	2	p. 7	9712-0831-02	17	2	p. 11				
1134-4298-02	21	2	p. 7	9712-1231-02	16	2	p. 9				
1134-4298-02	21	2	p. 7	9739-0631-22	4	4	p. 3				
1134-4299-01	28	1	p. 3	9739-0831-22	3	2	p. 7				
1134-4299-02	29	1	p. 3	9739-0831-22	5	8	p. 11				
1134-4304-01	29	1	p. 7	9739-0831-22	7	1	p. 3				
1134-4304-02	30	1	p. 7	9739-0831-22	17	4	p. 3				
1134-4307-01	33	2	p. 7	9739-0831-22	21	2	p. 9				
1134-4316-03	23	1	p. 9	9739-0831-22	22	2	p. 3				
1134-4318-01	20	2	p. 3	9739-0831-22	31	4	p. 3				
1134-4319-01	19	4	p. 3	9739-0831-22	32	2	p. 7				
1134-4320-01	5	1	p. 3	9739-1031-22	36	2	p. 3				
1134-4323-01	2	2	p. 3	9747-0631-02	11	2	p. 9				
1134-4479-01	16	2	p. 11	9747-0631-02	13	1	p. 7				
1134-4481-01	49	2	p. 3	9747-0631-02	27	2	p. 3				
1134-4537-01	18	1	p. 9	9747-0831-02	5	2	p. 9				
1134-4544-01	37	1	p. 3	9747-0831-02	9	1	p. 7				
1134-4544-02	38	1	p. 3	9747-0831-02	12	4	p. 11				
1134-4574-01	43	1	p. 3	9747-0831-02	24	2	p. 7				
1134-4577-01	44	1	p. 3	9747-0831-02	46	1	p. 3				
1134-4688-02	42	1	p. 3	9747-0831-02	48	1	p. 3				
1134-4689-01	25	2	p. 3	9836-9530-12	11	2	p. 3				
1134-4732-01	17	1	p. 9	9897-0616-16	3	4	p. 3				
1134-4745-01	52	2	p. 3	9897-0825-16	19	2	p. 9				
1134-4747-01	30	1	p. 9	9897-0850-12	22	2	p. 7				
1134-4775-01	26	1	p. 9	9898-1060-12	35	2	p. 3				
1134-4865-01	2	1	p. 9	9942-0612-16	6	1	p. 9				
1134-4875-01	1	1	p. 9	9945-0816-16	5	1	p. 7				
1134-4876-01	23	1	p. 3	9945-0816-16	31	2	p. 9				
1134-4890-01	12	1	p. 3	9959-0616-16	26	2	p. 3				
1134-4894-02	26	2	p. 7	9959-0816-16	2	2	p. 7				
1134-4894-04	26	2	p. 7	9959-0816-16	16	4	p. 3				
1134-4905-01	10	1	p. 3	9959-0816-16	30	4	p. 3				
1134-5049-01	1	2	p. 11	9959-0816-16	31	2	p. 7				
1134-5052-03	9	1	p. 11	9959-0820-16	6	1	p. 3				
1134-5052-04	6	1	p. 11	9997-0620-16	12	1	p. 7				
1134-5114-01	36	1	p. 7	9997-0625-16	10	2	p. 9				
1134-5187-01	1	1	p. 3	9997-0812-02	21	2	p. 3				
1134-5215-01	6	1	p. 7	9997-0820-16	11	4	p. 11				
1134-9024-01	13	1	p. 3	9997-0825-16	45	1	p. 3				
1134-9024-01	24	1	p. 3	9997-0835-12	47	1	p. 3				
1134-9026-01	50	1	p. 3	9997-0840-16	8	1	p. 7				
1134-9054-01	15	1	p. 11	9997-0865-12	4	8	p. 11				
1134-9068-01	27	1	p. 9	9997-1016-16	39	2	p. 3				