

STIGA

Reservdelskatalog Parts Catalogue

VILLA SENATOR

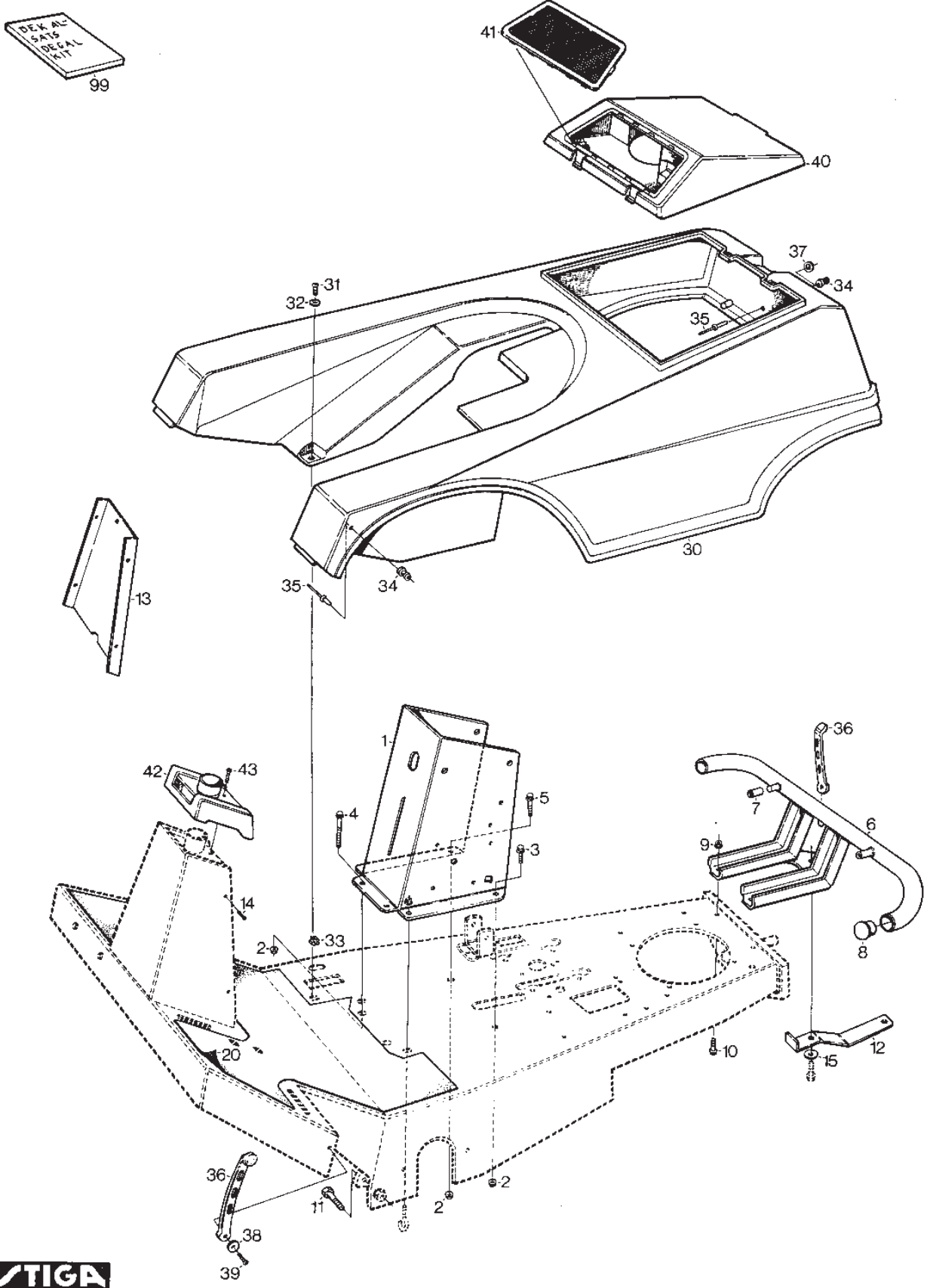
13-2842-22 - Season 1998

- Use GLOBAL GARDEN PRODUCT Genuine Spare Parts specified in the parts list for repair and/or replacement.
 - The contents described in the parts list may change due to improvement.
 - The drawings of the spare parts are only indicative and might not represent the part in question exactly.
 - The indications "right" - "left" - "front" - "rear" refer to the position of the operator when using the machine.
- When placing orders of parts for repair and/or replacement, make sure that the illustrated parts list is the one applying to the machine's year of manufacture, as shown on the identification plate attached to the machine.

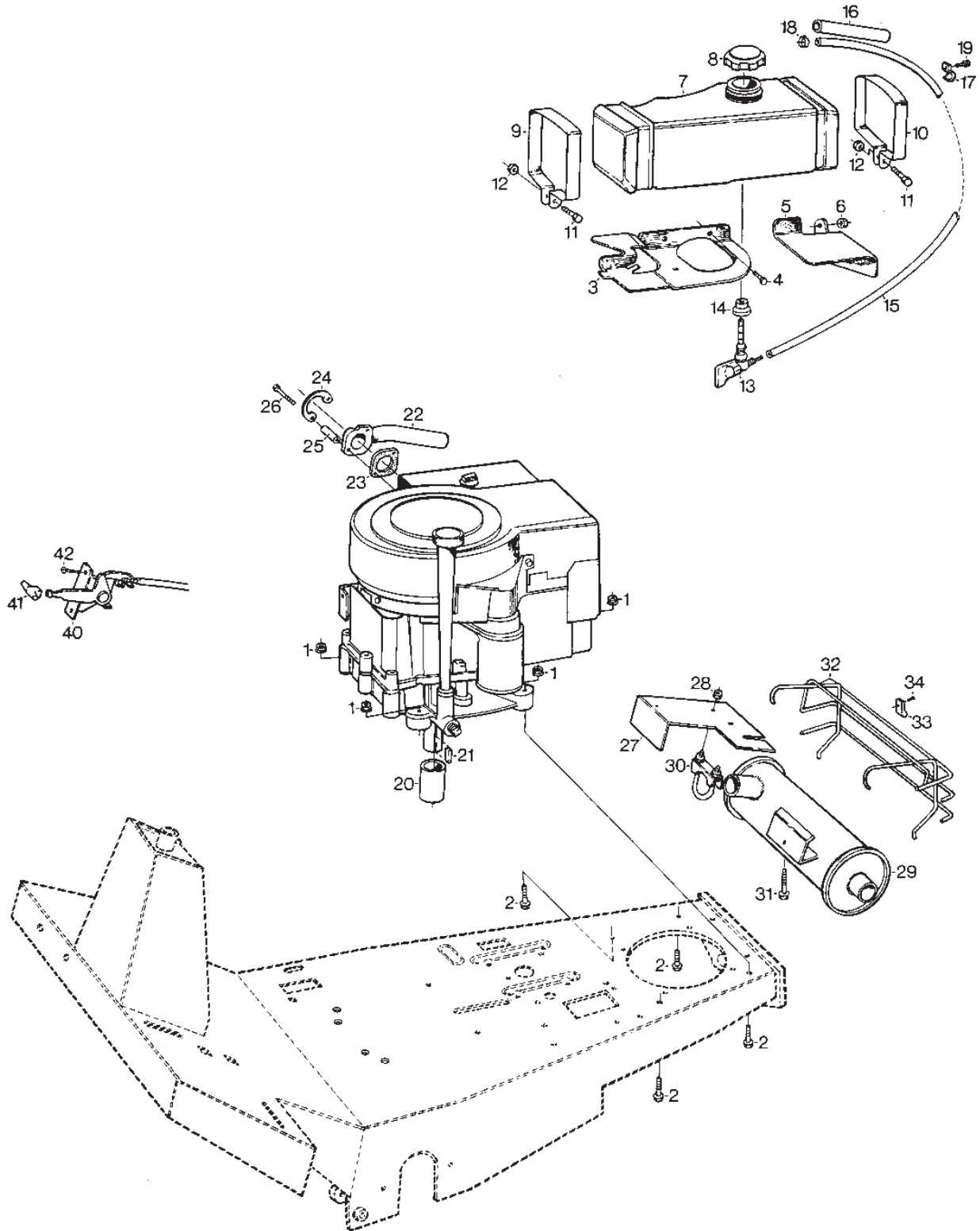
© Copyright 2014 Global Garden Products

All rights reserved. No part of this material may be reproduced or transmitted, in any form or by any means, electronic or mechanical, including photocopying, recording or by any information storage and retrieval system, without permission in writing from GLOBAL GARDEN PRODUCTS.

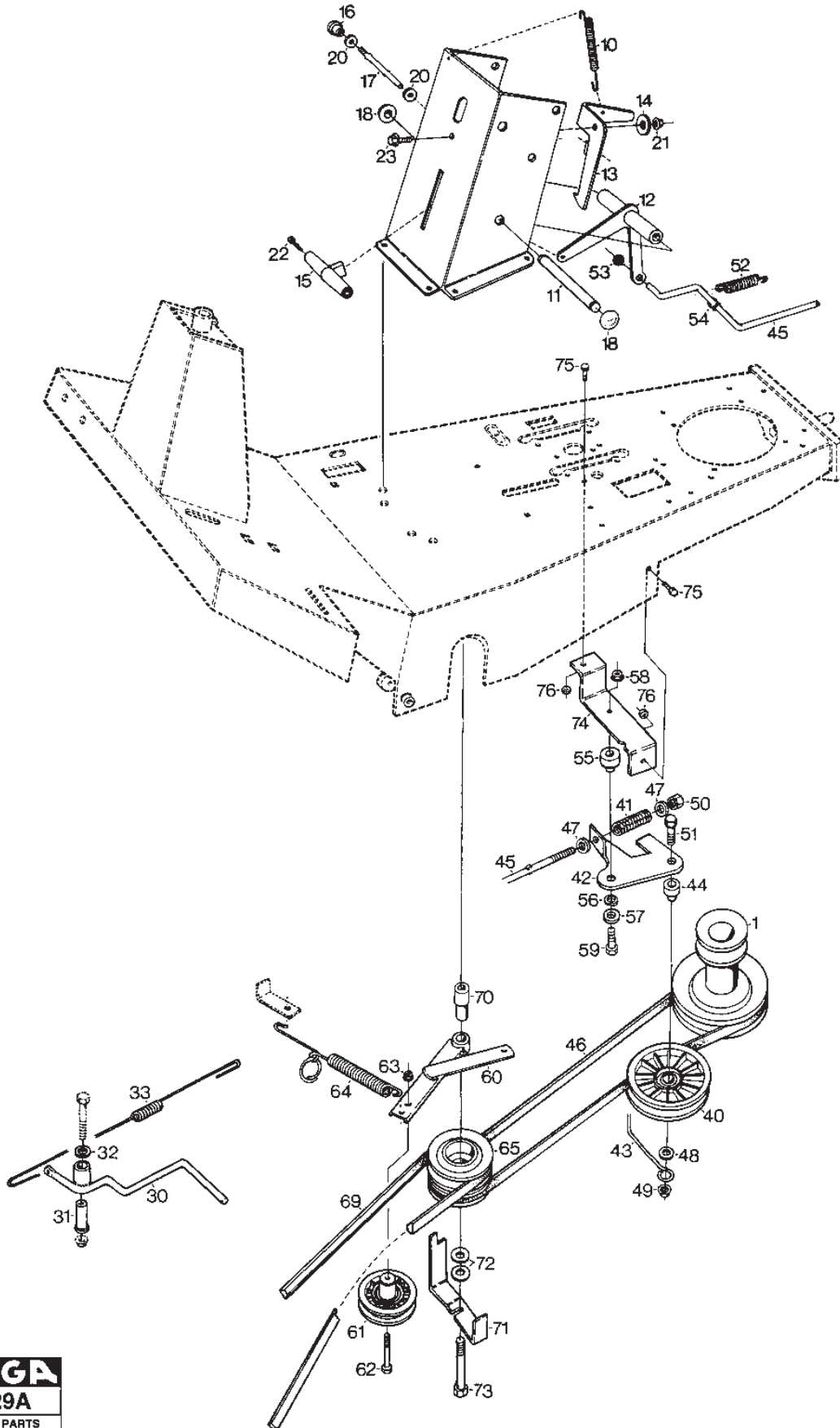
www.stiga.com



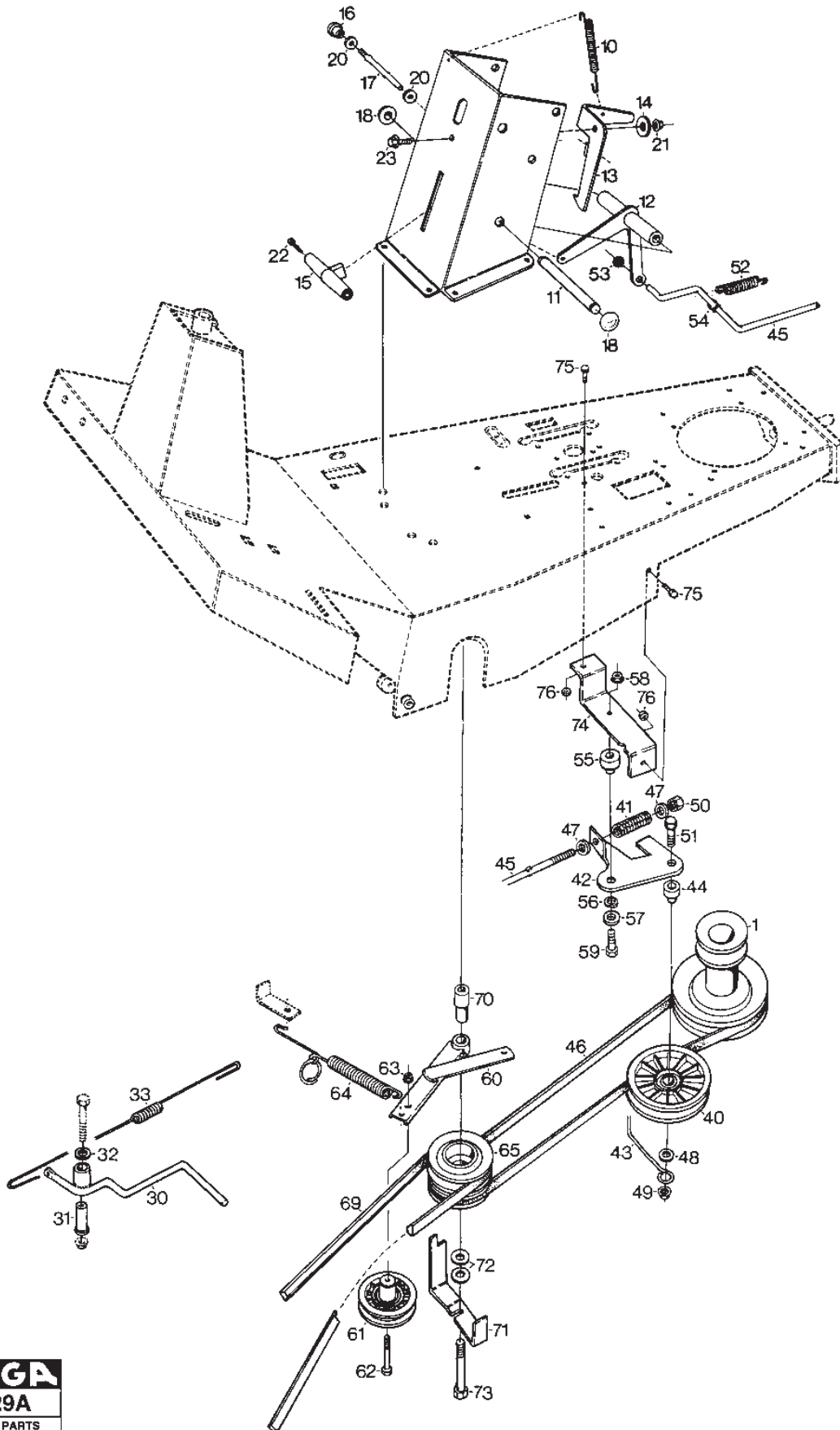
Utgåva Issue 46 - 2014		Ram Kaross		Frame Bodywork	
Pos. Fig.	Antal Quantity	Art nr Part No	Benämning	Description	Anmärkning Notes
1	1	1134-3800-01	Sitskonsol 1-00 02	Seat Bracket-Yellow	
2	5	9739-0831-22	Mutter	Nut	
3	3	9959-0816-16	Skruv	Screw	L = 16 mm
4	1	9997-0855-12	Skruv	Screw	L = 55 mm
5	1	9959-0825-16	Skruv	Screw	L = 25 mm
6	1	1134-1595-02	Stötfångare Kpl	Tube	
7	2	1134-2849-01	Slang	Rubber Hose (30 Mm)	
8	2	9403-0015-70	Plugg	Plug	
9	2	9739-0831-22	Mutter	Nut	
10	2	9959-0816-16	Skruv	Screw	
11	2	9997-1055-12	Skruv	Screw	
12	1	1134-2352-03	Dragkrok	Tow Bar	2858, 2881
13	1	1134-3799-01	Lock(1-00 F12)	Cover	
14	4	9849-8013-16	Skruv	Screw	
15	1	9699-0056-02	Bricka	Washer	
20	1	1134-3819-01	Durkmatta Villa Man	Floor Mat	
30	1	1134-2856-01	Motorlucka Gul	Engine Hood Yellow	
31	1	9948-0616-16	Skruv	Screw	
32	1	9699-0060-02	Bricka	Washer	
33	1	1134-3643-01	Mutter	Nut	
34	3	9405-0029-00	Knopp	Knob	
35	3	9632-0516-00	Popnit 9.5	Pop Rivet	
36	1	1134-9028-01	Gummistropp (3 St)	Rubber Strap (3 Pcs)	Sats 3 st/kit of 3
38	2	9699-0087-02	Bricka	Washer	
39	2	9849-8013-16	Skruv	Screw	
40	1	1134-2855-04	Motorlucka5-01	Engine Cover (Black)	
41	1	1134-2267-01	Gallerinsats Villa	Guarding Net	
42	1	1134-3750-01	Dekorpanel5-01	Panel	
43	1	9849-8013-16	Skruv	Screw	
99	1	1134-3557-01	Dekalsats	Label Kit	



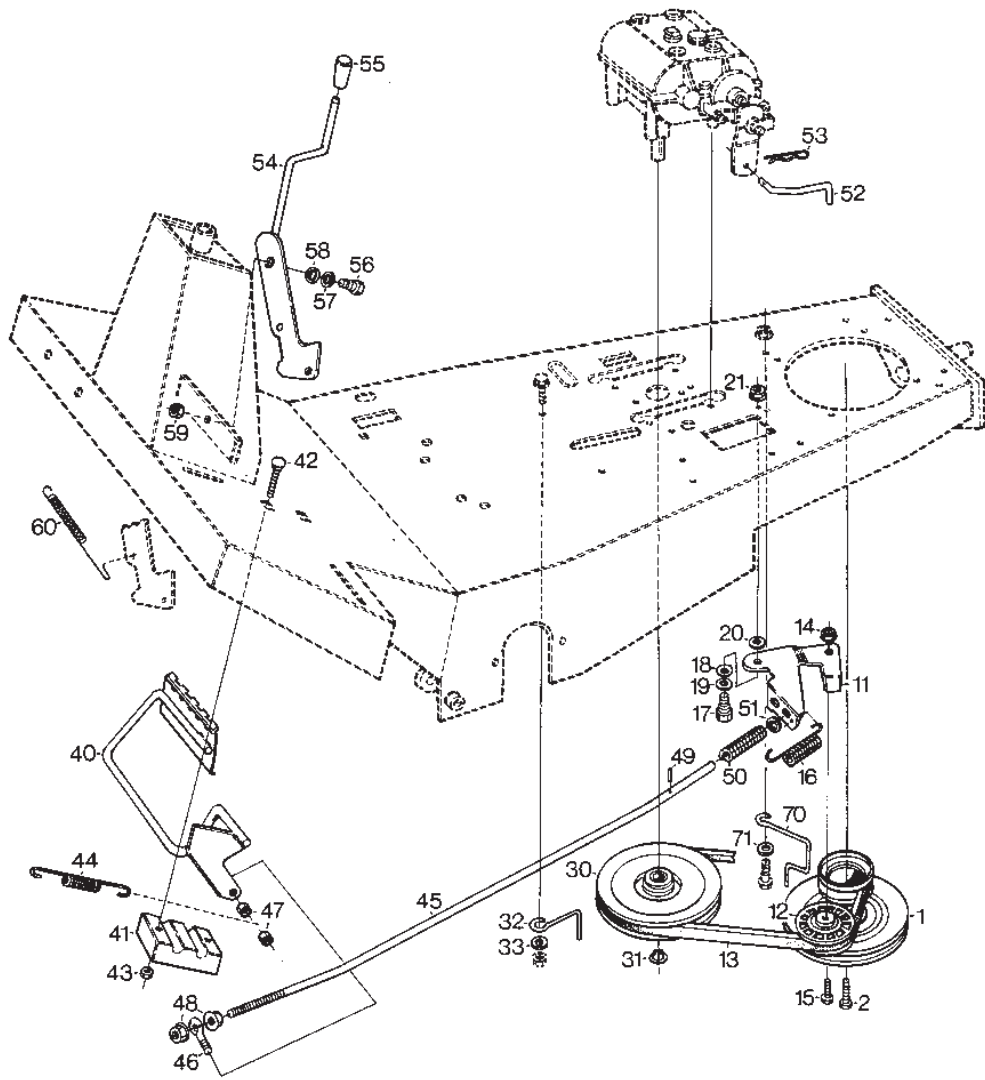
Utgåva Issue 46 - 2014		Motor	Engine		
Pos. Fig.	Antal Quantity	Art nr Part No	Benämning	Description	Anmärkning Notes
1	4	9747-0831-02	Mutter Lasmutter	Nut	
2	4	9997-0840-16	Skruv	Screw	
3	1	9500-9915-01	Tankkonsol Främre	Tank Bracket-Front	
4	2	9931-3619-16	Skruv	Screw	
5	1	9500-9916-01	Tankkonsol Bakre	Tank Bracket-Rear	
6	2	9795-3631-02	Mutter	Nut	
7	1	1134-3582-01	Bränsletank	Fuel Tank	
8	1	1134-2877-02	Tanklock	Fuel Tank Cap	
9	1	1134-3586-01	Fästband, Kort5-01	Strap,Short	
10	1	1134-3587-01	Fästband, Langt5-01	Strap,Long	
11	2	9948-0630-16	Skruv	Screw	
12	2	9747-0631-02	Mutter Lasmutter	Nut	
13	1	1134-3224-01	Bensinkran	Fuel Shut-Off Valve	
14	1	1134-3225-01	Gummibussning Gummibussning	Grommet	
15	1	1134-2975-01	Bensinslang	Fuel Tube	
16	1	9500-9917-01	Värmeskydd	Heat Guard	
17	2	9578-0010-00	Kabelklämma	Cable Clip	
18	2	1134-3499-01	Slangklämma	Hose Clamp	
18	2	9578-0023-02	Slangklämma D12*8 (Svart) Rörklammer	Hose Clamp Tube Clamp	
19	2	9943-0510-16	Skruv	Screw	
20	1	1134-1364-02	Distansring	Spacer Ring	
21	1	9600-0250-00	Kil	Key	
22	1	1134-2350-01	Avgasrör Kpl.	Exhaust Pipe	
23	1	1134-0433-00	Packning	Gasket	
24	1	1134-2462-01	Lasbleck	Lock	
25	2	1134-1565-01	Distans	Spacer	
26	2	9988-3651-12	Skruv	Screw	
27	1	1134-2394-01	Värmeskydd	Heat Guard	
28	2	9739-0831-22	Mutter	Nut	
29	1	1134-3869-01	Ljuddämpare	Muffler	
30	1	9578-0011-00	Klämma F Ljuddämp D35 Rid	Clamp	
31	1	9959-0820-16	Skruv	Screw	
32	1	1134-3724-01	Beröringsskydd5-01	Guard	
33	1	9578-0022-00	Klammer	Clamp	
34	1	9842-0001-16	Skruv	Screw	
40	1	1134-1975-01	Gasreglage	Throttle Cable	
41	1	9403-0035-10	Knopp	Knob	
42	2	9849-8009-16	Skruv	Screw	



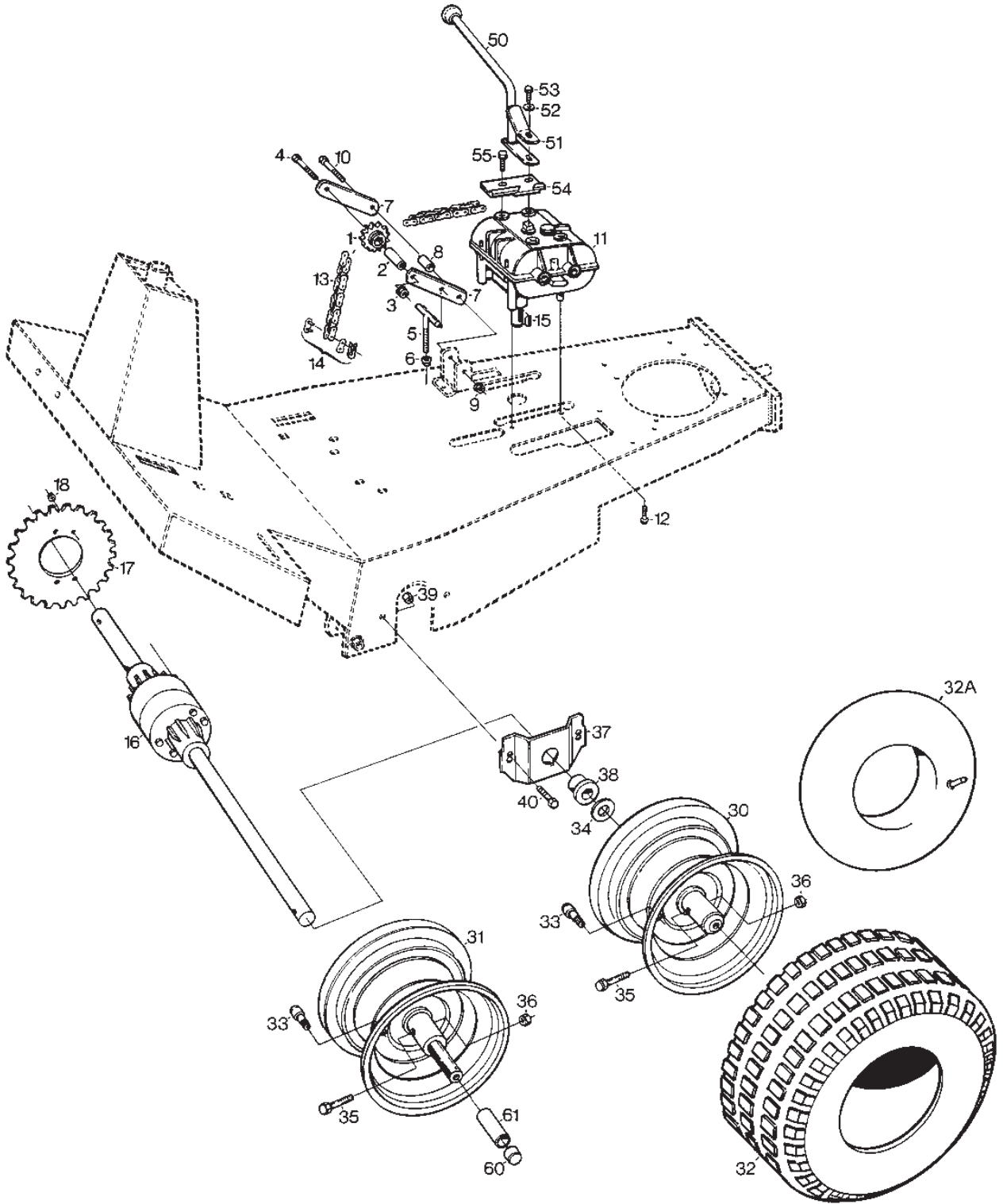
Utgåva Issue 46 - 2014		Power Take-Off			
Pos. Fig.	Antal Quantity	Art nr Part No	Benämning	Description	Anmärkning Notes
1	1	1134-1633-01	Motorremskiva	Engine Belt Pulley	
10	1	1131-1497-01	Fjäder	Brake Spring	
11	1	1134-0022-00	Reglagestang	Control Rod	
12	1	1134-1396-02	Spak	Lever	2842, 2843 (US, CA)
12	1	1134-0027-01	Reglagespak	Control Lever	
13	1	1134-2453-01	Lashake	Locking Pawl	
14	1	1134-0143-00	Bricka	Washer	
15	1	1134-0153-00	T-Handtag	Handle Gear Shifter	
16	1	1134-0583-00	Knopp	Knob	
17	1	1134-1972-01	Urkopplingsspak	Disengaging Lever	
18	2	9672-0004-02	Starlock	Starlock	
20	2	9699-0025-02	Bricka	Washer	
21	1	9739-0831-22	Mutter	Nut	
22	1	9847-8016-16	Skruv	Screw	
23	1	9959-0820-16	Skruv	Screw	
30	1	1134-3512-01	Bromsarm	Brake Lever	
31	1	1134-3510-01	Distans	Spacer	
32	1	9699-0056-02	Bricka	Washer	
33	1	1134-3443-01	Fjäder	Brake Spring	
40	1	1134-3053-01	Spännrulle	Tension Roller	
41	1	1134-1023-00	Fjäder	Brake Spring	
42	1	1134-1438-02	Spännarm	Tensioning Arm	
43	1	1134-1647-01	Remhallare	Belt Stirrup	
44	1	1134-1888-01	Distans	Spacer	
45	1	1134-1935-01	Länkstang	Link Rod	
46	1	1134-9010-01	Kilrem	V-Belt	= 9585-0053-00
47	2	9699-0028-02	Bricka	Washer	
48	1	9699-0062-02	Bricka	Washer	
49	1	9739-0831-22	Mutter	Nut	
50	1	9747-0831-02	Mutter Lasmutter	Nut	
51	1	9997-0845-12	Skruv	Screw	
52	1	1131-1506-00	Fjäder	Spring	
53	1	9675-0011-00	Lasbricka	Starlock	
54	1	9699-0090-02	Bricka	Washer	
55	1	1134-1838-01	Spännarmsfäste	Tension Arm Bracket	
56	1	9696-0013-01	Bricka	Washer	
57	1	9699-0056-02	Bricka	Washer	
58	1	9739-0831-22	Mutter	Nut	
59	1	9997-0855-12	Skruv	Screw	
60	1	1134-1866-01	Spännarm Smst Servicedet	Tensioning Arm Compl	
61	1	1134-3043-01	Spännrulle	Tension Roller	
62	1	9997-1050-16	Skruv	Screw	
63	1	9739-1031-22	Mutter	Nut	
64	1	1134-1322-01	Fjäder	Tensioning Wheel Spring	
65	1	1134-1486-01	Dubbelremskiva Kpl Villa	Double V-Belt Pulley	
69	1	1134-9031-01	Kilrem	V-Belt	= 9585-0072-00
70	1	1134-1839-01	Mellanaxel	Shaft	
71	1	1134-1569-01	Remstyrning	Belt Guide	
72	2	9699-0035-02	Bricka	Washer	



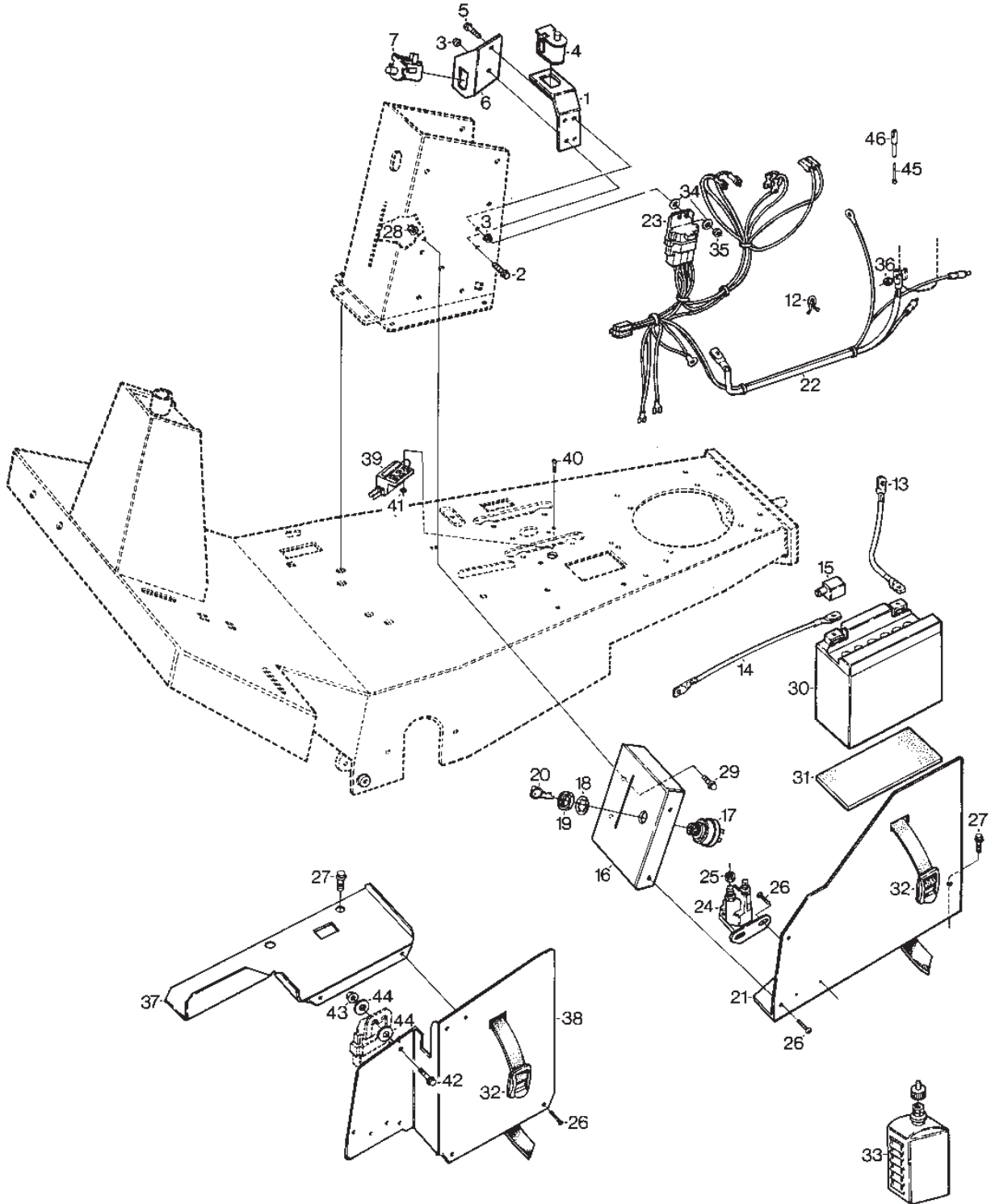
Utgåva Issue 46 - 2014		Power Take-Off			
Pos. Fig.	Antal Quantity	Art nr Part No	Benämning	Description	Anmärkning Notes
73	1	9997-1080-12	Skruv	Screw	
74	1	1134-3783-01	Fäste	Bracket	
75	2	9959-0816-16	Skruv	Screw	
76	2	9739-0831-22	Mutter	Nut	



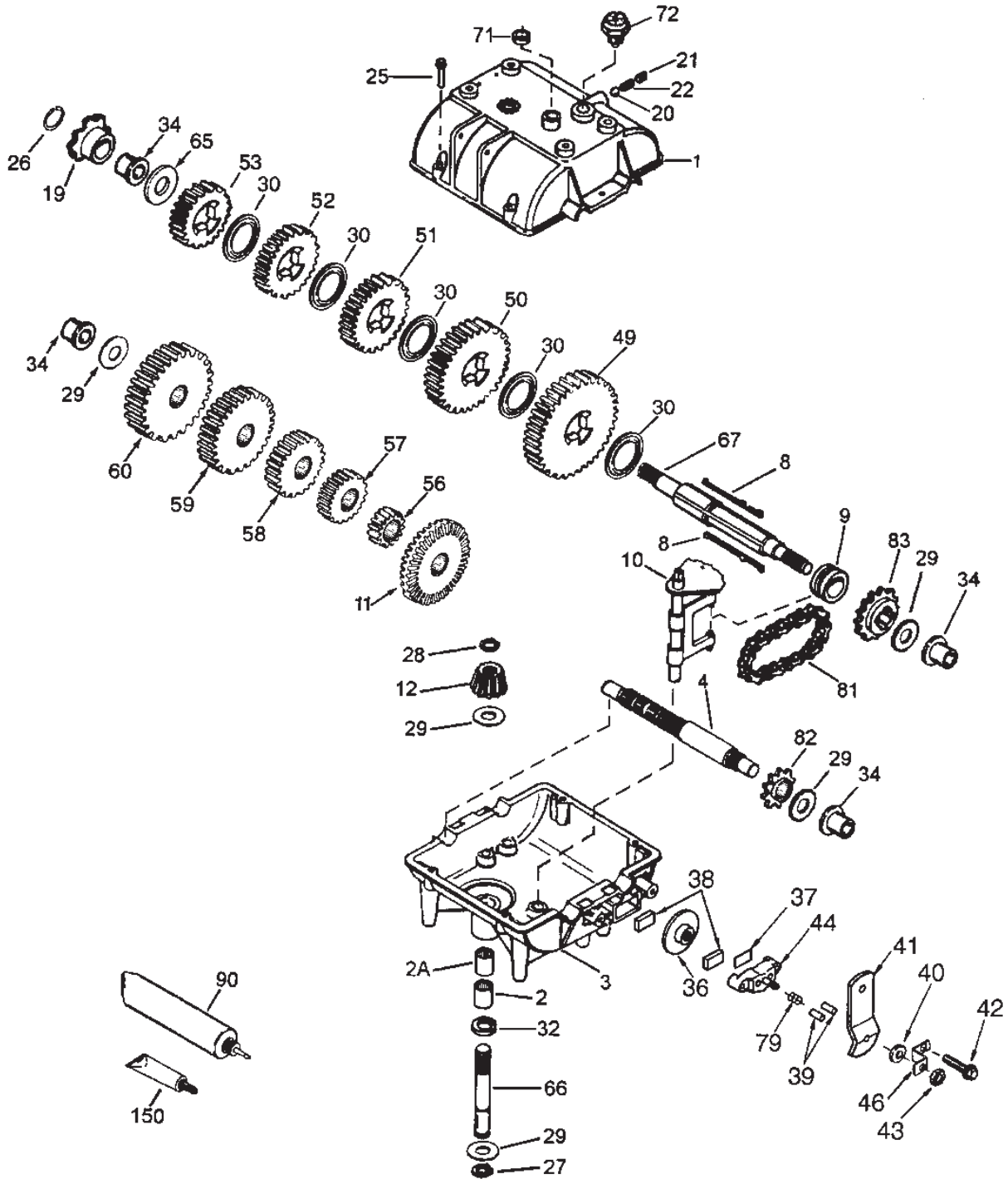
Utgåva Issue 46 - 2014		Koppling Broms		Clutch Brake	
Pos. Fig.	Antal Quantity	Art nr Part No	Benämning	Description	Anmärkning Notes
1	1	1134-1633-01	Motorremskiva	Engine Belt Pulley	
2	1	9987-5338-12	Skruv	Screw	
11	1	1134-3832-01	Spännarm 5-01 F15	Tension Arm	
12	1	1134-9027-01	Spännrulle (Svart)	Tension Roller (Black)	
13	1	1134-9008-01	Kilrem	V-Belt	= 9585-0050-00
14	1	9739-1031-22	Mutter	Nut	
15	1	9997-1030-16	Skruv	Screw	
16	1	1134-1949-01	Fjäder	Spring	
17	1	1134-0240-00	Skruv	Screw	
18	1	9696-0013-01	Bricka	Washer	
19	1	9699-0037-02	Bricka	Washer	
20	1	9699-0090-02	Bricka	Washer	
21	1	9739-0831-22	Mutter	Nut	
30	1	1134-1849-01	Remskiva	Belt Pulley	
31	1	9650-0016-04	Sparring Sga	Circlip	
32	1	1134-1795-01	Remhallare	Belt Stirrup	
33	1	9699-0090-02	Bricka	Washer	
40	1	1134-3801-01	Pedal Kpl 5-01 15	Pedal	
41	1	1134-1927-01	Lager 5-01	Bearing	
42	2	9898-0635-12	Skruv	Screw	
43	2	9739-0631-22	Mutter	Nut	
44	1	1134-3633-01	Fjäder	Spring	
45	1	1134-3829-01	Reglagestang	Control Rod	
46	1	1134-2138-01	Skruvögla	Eye Bolt	
47	2	9747-0831-02	Mutter Lasmutter	Nut	
48	2	9739-1031-22	Mutter	Nut	
49	1	9595-0208-00	Spiralspnst Prym N4X20	Locating Pin	
50	1	1134-3817-01	Fjäder	Spring	
51	2	9699-0035-02	Bricka	Washer	
52	1	1134-3809-01	Bromsstang	Brake Rod	
53	1	9598-0002-02	Spännstift Fjaderpinne	Elastic Pin Spring Pin	
54	1	1134-3802-01	P-Bromsarm	Parking Brake Lever	
55	1	1134-3808-01	Knopp	Knob	
56	1	1134-0240-00	Skruv	Screw	
57	1	9699-0069-02	Bricka	Washer	
58	1	9694-0001-00	Bricka	Washer	
59	1	9739-0831-22	Mutter	Nut	
60	1	4231-0013-00	Fjäder	Spring	
70	1	1134-0139-01	Remskydd	Belt Guard	
71	1	9699-0090-02	Bricka	Washer	



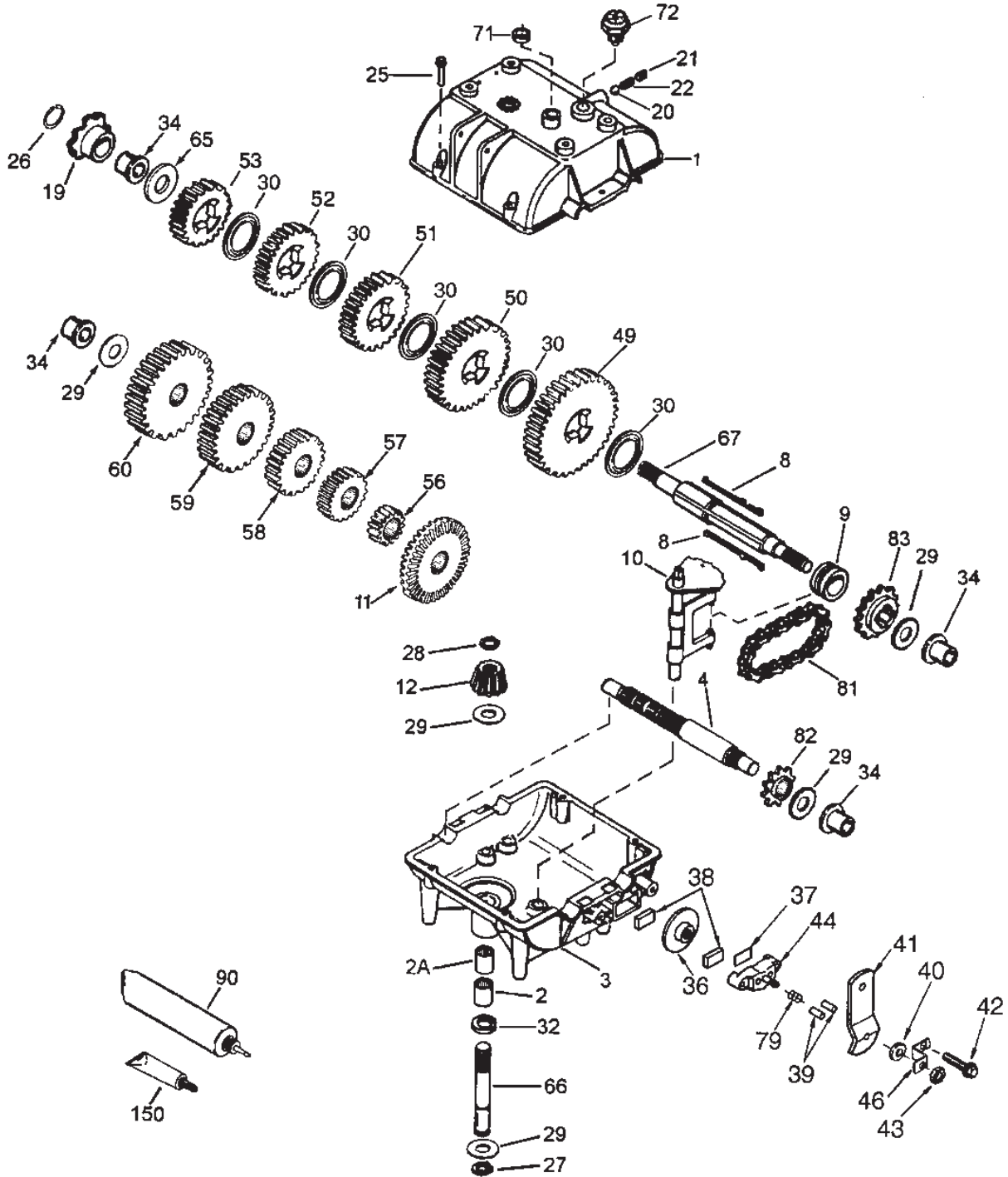
Utgåva Issue 46 - 2014		Transmission		Transmission	
Pos. Fig.	Antal Quantity	Art nr Part No	Benämning	Description	Anmärkning Notes
1	1	1134-3820-01	Kedjehjul5-01	Sprocket	
2	1	1134-3823-01	Distans	Spacer	
3	1	9739-0831-22	Mutter	Nut	
4	1	9997-0855-12	Skruv	Screw	
5	1	1134-1942-01	Skruv	Screw	
6	1	9747-0831-02	Mutter Lasmutter	Nut	
7	2	1134-1561-01	Hävarm	Lever	
8	1	1134-3823-01	Distans	Spacer	
9	1	9739-0831-22	Mutter	Nut	
10	1	9997-0855-12	Skruv	Screw	
11	1	9500-9949-00	Växellada 781B	Gear Box 781B	19 Peerless 781B
12	4	9988-3619-16	Skruv	Screw	
13	1	9589-0008-02	Chain w. chain lock	Chain w. chain lock	
14	1	9589-0504-00	Kedjelas	Chain Fastener	
15	1	9600-0050-00	Kil	Key	
16	1	1134-1694-04	Differentiell	Differential	Peerless 100-019B
17	1	1134-1691-02	Kedjehjul	Sprocket	
18	4	9743-3621-32	Mutter	Nut	
31	2	1134-3707-02	Hjul	Rim	
32	2	9545-0116-00	Däck	Tyre	16 x 7.50-8
33	2	9545-0500-00	Ventil	Valve Assy.	
34	2	1134-0341-01	Bricka	Washer	
35	2	1134-1348-01	Skruv	Screw	
36	2	9743-3721-32	Mutter	Nut	
37	2	1134-1876-01	Bakaxelfäste	Rear Axle Mounting	
38	2	1134-1875-01	Bussning	Bushing	
39	4	9739-0831-22	Mutter	Nut	
40	4	9959-0820-16	Skruv	Screw	
50	1	1134-1925-02	Växelspak Smst	Gear Shifter	
51	1	1134-1981-01	Böjstopp	Shift Lock	
52	1	9699-0060-02	Bricka	Washer	
53	1	9987-5016-16	Skruv	Screw	
54	1	1134-1916-01	Spärrplatta	Stop Plate	
55	2	9942-0816-16	Skruv	Screw	
55	2	9945-0816-16	Skruv	Screw	
60	2	1134-3840-01	Skyddslock 5-01	Protection Cover	
61	2	1134-3850-01	Slang 5-01	Hose	



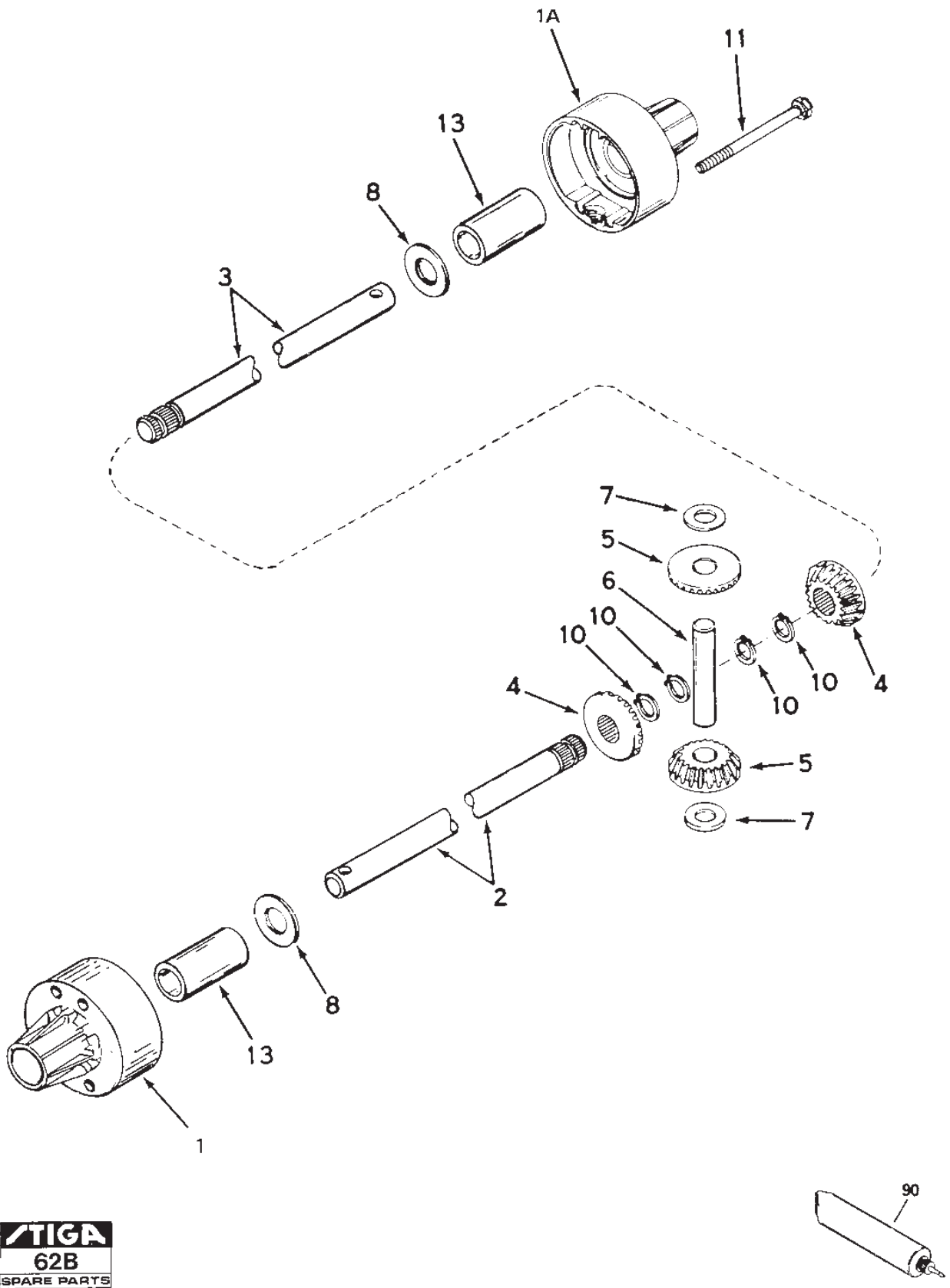
Utgåva Issue 46 - 2014		Elsystem Electrical System			
Pos. Fig.	Antal Quantity	Art nr Part No	Benämning	Description	Anmärkning Notes
1	1	1134-3251-02	Fäste	Bracket	
2	1	9959-0616-16	Skruv	Screw	L = 16 mm (US, CA)
2	1	9959-0612-16	Skruv	Screw	L = 12 mm
3	2	9739-0631-22	Mutter	Nut	
4	1	1134-3156-02	Brytare (gra)	Switch	
5	1	9997-0630-12	Skruv	Screw	L = 30 mm
5	1	9997-0625-16	Skruv	Screw	L = 25 mm
6	1	1134-3551-01	Brytarfäste	Attachment	2841, 2842, 2843
7	1	1134-3156-01	Brytare	Switch	2841, 2842, 2843
12	1	1134-3204-01	Twistögla	Cable Holder	
13	1	1131-1455-00	Batterikabel (-)	Battery Cable (-)	
14	1	1134-0234-01	Batterikabel (+)	Battery Cable (+)	
15	1	1134-2310-01	Batteriskydd	Guard Cap (+)	
16	1	1134-1594-01	Instrumentpanel	Panel	
17	1	1134-1814-01	Tändningslas Kpl Service	Starter Switch Assy.	
18	1	1134-2853-01	Bricka	Washer	
19	1	1134-2852-01	Mutter	Nut	
20	1	1134-2848-01	Tändningsnyckel	Ignition Key	
21	1	1134-1922-01	Batteriplatå	Battery Plate	
22	1	1134-3622-01	Kablage Villa Oversea	Harness	2842 (US, CA)
22	1	1134-3622-01	Kablage Villa Oversea	Harness	2841, 2842 (US, CA)
22	1	1134-3621-01	Kabelhärva	Harness	
23	1	1134-3623-02	Interlockkrets	Interlock Module	
24	1	1134-2962-01	Solenoid Kpl Service	Solenoid	
25	2	9794-5131-02	Mutter	Nut	
26	4	9849-8009-16	Skruv	Screw	
27	1	9942-0612-16	Skruv	Screw	
28	2	9739-0631-22	Mutter	Nut	
29	2	9959-0612-16	Skruv	Screw	
30	1	9400-0086-00	Batteri	Battery	
31	1	1134-2333-01	Batteriunderlägg	Battery Pad	
32	1	9400-0064-02	Batterihallare	Battery Holder	
33	1	1134-3300-01	Batterisyra	Battery Acid	2 x 0.85 liter
34	2	9699-0060-02	Bricka	Washer	
35	1	9747-0631-02	Mutter Lasmutter	Nut	
36	1	9795-3531-02	Mutter	Nut	
45	1	9400-0275-00	Stiftkontakt	Terminal Contact	
46	1	9400-0276-00	Stiftblock	Terminal Plug	



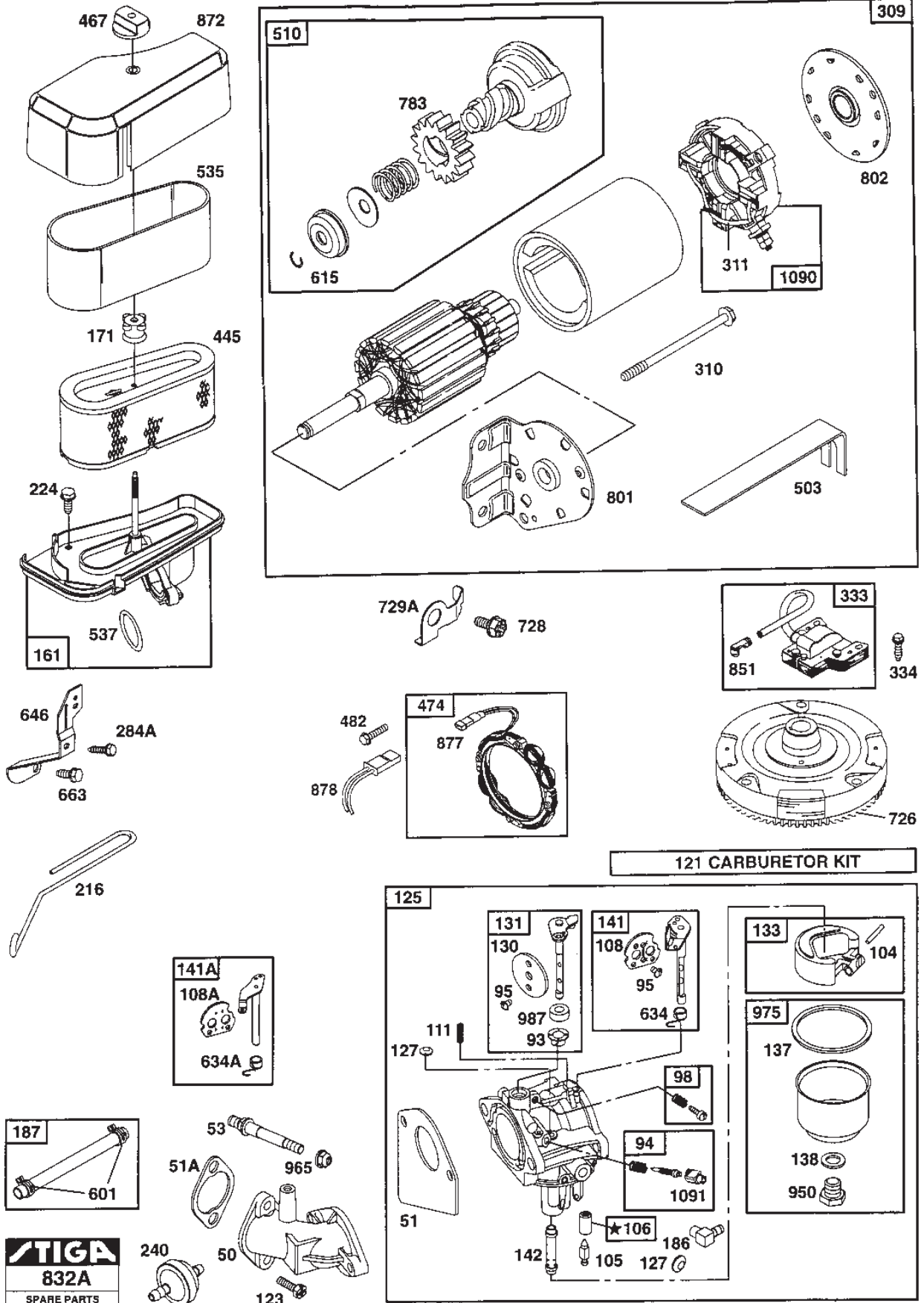
Utgåva Issue 46 - 2014		Tecumseh Peerless Väckellåda 781B		Tecumseh Peerless Gear Box 781B	
Pos. Fig.	Antal Quantity	Art nr Part No	Benämning	Description	Anmärkning Notes
0	1	9500-9949-00	Väckellåda 781B	Gear Box 781B 19	/781B
1	1	772083	Cover	Cover	/781B
2	1	780086	Nallager	Needle bearing	/781B
3	1	770061	Case	Case	/781B
4	1	776134	Axel	Shaft	/781B
8	2	792089	Kil	Key	/781B
9	1	784266	Collar	Collar	/781B
10	1	784267	Shift rod	Shift rod	/781B
11	1	778137	Bevel gear	Bevel gear	42T/781B
12	1	778113	Drev	Pinion	14T/781B
19	1	786114	Sprocket	Sprocket	8T/781B
20	1	792077	Kula	Steel ball	/781B
21	1	792078	Skruv	Screw	/781B
22	1	792079	Fjäder	Spring	/781B
25	6	792073	Skruv	Screw	/781B
26	1	792072	Circlip	Circlip	/781B
27	1	792035	Lasring	Retainer ring	/781B
28	1	788040	Lasring	Retainer ring	/781B
29	5	780072	Bricka	Thrust Washer	/781B
30	5	780108	Bricka	Thrust Washer	/781B
32	1	792001	O-ring	O-ring	/781B
34	4	780105	Bussning	Bushing	/781B
36	1	790003	Bromsskiva	Brake Disc	/781B
37	1	790007	Tryckplatta	Brake pad plate	/781B
38	2	799021	Bromsbelägg	Brake pad	Sats 2 st/pkg of 2/781B
39	2	786026	StyrSprint Styrpinne	Dowel pin	/781B
40	1	792076	Planbricka Bricka	Flat washer Washer	/781B
41	1	790033	Bromsarm	Brake Lever	/781B
42	2	792073	Skruv	Screw	/781B
43	1	792075	Lasmutter	Nut	/781B
44	1	790025	Hallare	Brake pad holder	/781B
46	1	786086	Fäste	Brake lever bracket	/781B
49	1	778125	Drev	Gear	35T/781B
50	1	778124	Gear	Gear	30T/781B
51	1	778123	Gear	Gear	25T/781B
52	1	778122	Drev	Gear	22T/781B
53	1	778121	Gear	Gear	20T/781B
56	1	778136	Gear	Gear	15T/781B
57	1	778126	Gear	Gear	20T/781B
58	1	778127	Gear	Gear	25T/781B
59	1	778128	Drev	Gear	28T/781B
60	1	778129	Drev	Gear	30T/781B
65	1	780109	Bricka	Washer	/781B
66	1	776135	Ingaende axel	Input shaft	/781B
67	1	776217	Axel	Shaft	/781B
71	1	788069	Tätning	Seal	/781B
72	1	786186	Start switch	Start switch	/781B
79	1	792144	Fjäder	Spring	/781B
81	1	786081	Kedja	Chain	24 länk/links/781B



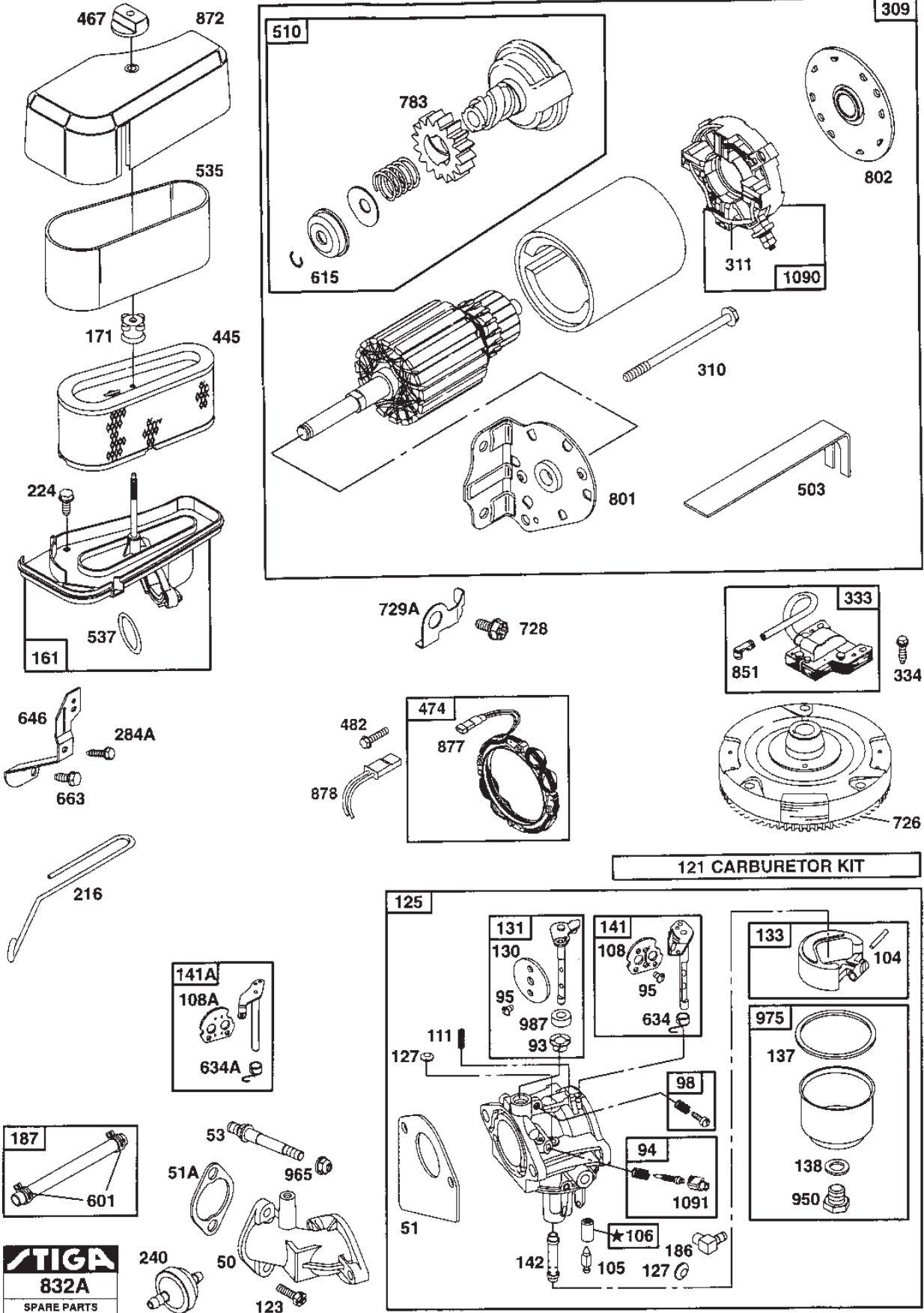
Utgåva Issue 46 - 2014		Tecumseh Peerless Väckellåda 781B Tecumseh Peerless Gear Box 781B			
Pos. Fig.	Antal Quantity	Art nr Part No	Benämning	Description	Anmärkning Notes
82	1	786082	Sprocket	Sprocket	9T/781B
83	1	786083	Sprocket	Sprocket	18T/781B
90	1	788067	Smörjfett	Grease	Bentonite/781B
150	1	510334	Packning Packningsmassa	Gasket Gasket sealer	Loctite #515/781B



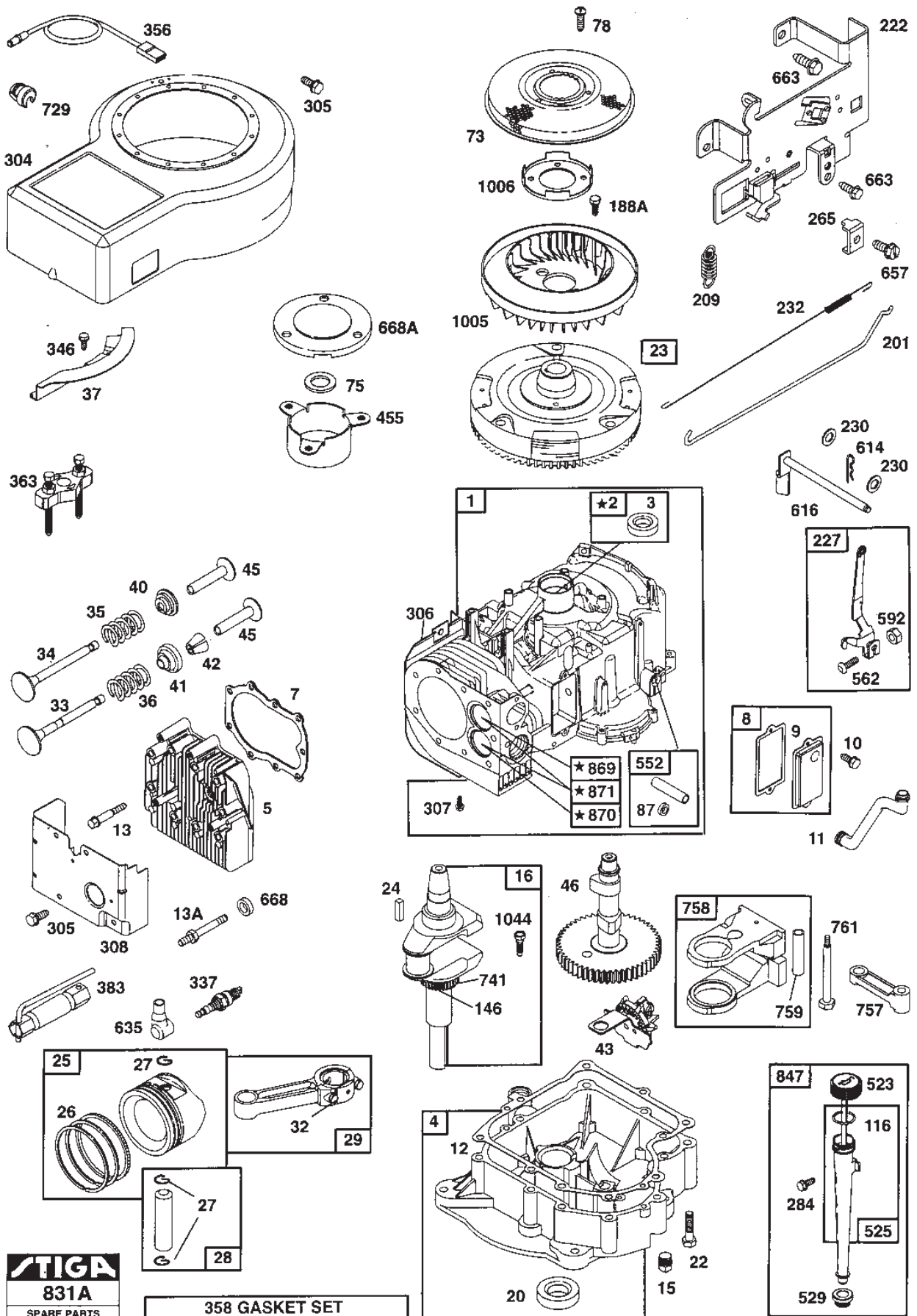
Utgåva Issue 46 - 2014		Tecumseh Peerless Differential 100-019B		Tecumseh Peerless Differential 100-019B	
Pos. Fig.	Antal Quantity	Art nr Part No	Benämning	Description	Anmärkning Notes
0	1	1134-1694-04	Differentiell	Differential	Villa
0	1	1134-5014-01	Differentiell	Differential	
1	1	774344	Hus	Housing	Inkl. pos. 13
1	1	774659	Hus	Housing	Inkl. pos. 13
1	1	774345	Hus	Housing	Inkl. pos. 13
1	1	774660	Hus	Housing	Inkl. pos. 13
1	1	P000-7743-45	Housing	Housing	
1	1	P000-7743-44	Housing	Housing	
2	1	774740	Axel	Axle	8-13/16" (224 mm)
2	1	P000-7747-40	Axel	Axle	224 mm
2	1	775118	Axel	Axle	11-27/32" (301 mm)
3	1	774741	Axel	Axle	420 mm
3	1	P000-7747-41	Axel	Axle	420 mm
3	1	775119	Axel	Axle	19-19/32" (498 mm)
4	2	778221	Bevel gear	Bevel gear	
4	2	778368	Drev	Bevel gear	
4	2	P000-7782-21	Drev	Bevel gear	
5	2	778068	Bevel pinion gear	Bevel pinion gear	
5	2	778368	Drev	Bevel gear	
5	2	P000-7780-68	Drev	Gear	
6	1	786040	Stift	Drive pin	
6	1	P000-7860-40	Stift	Drive pin	
7	2	780096	Bricka	Washer	
7	2	P000-7800-96	Bricka	Washer	
8	2	780001	Bricka	Washer	
8	2	P000-7800-01	Bricka	Washer	
10	4	792125	Lasring	Retainer ring	
10	4	P000-7921-25	Lasring	Snap ring	
11	4	792041	Skruv	Screw	
11	4	P000-7920-41	Skruv	Screw	
13	2	780077	Bussning	Bushing	
13	2	P000-7800-77	Bussning	Bushing	
90	1	788067	Smörjfett	Grease	Bentonite
90	1	P007-8806-7B	Grease	Grease	0.9 kg Bentonite



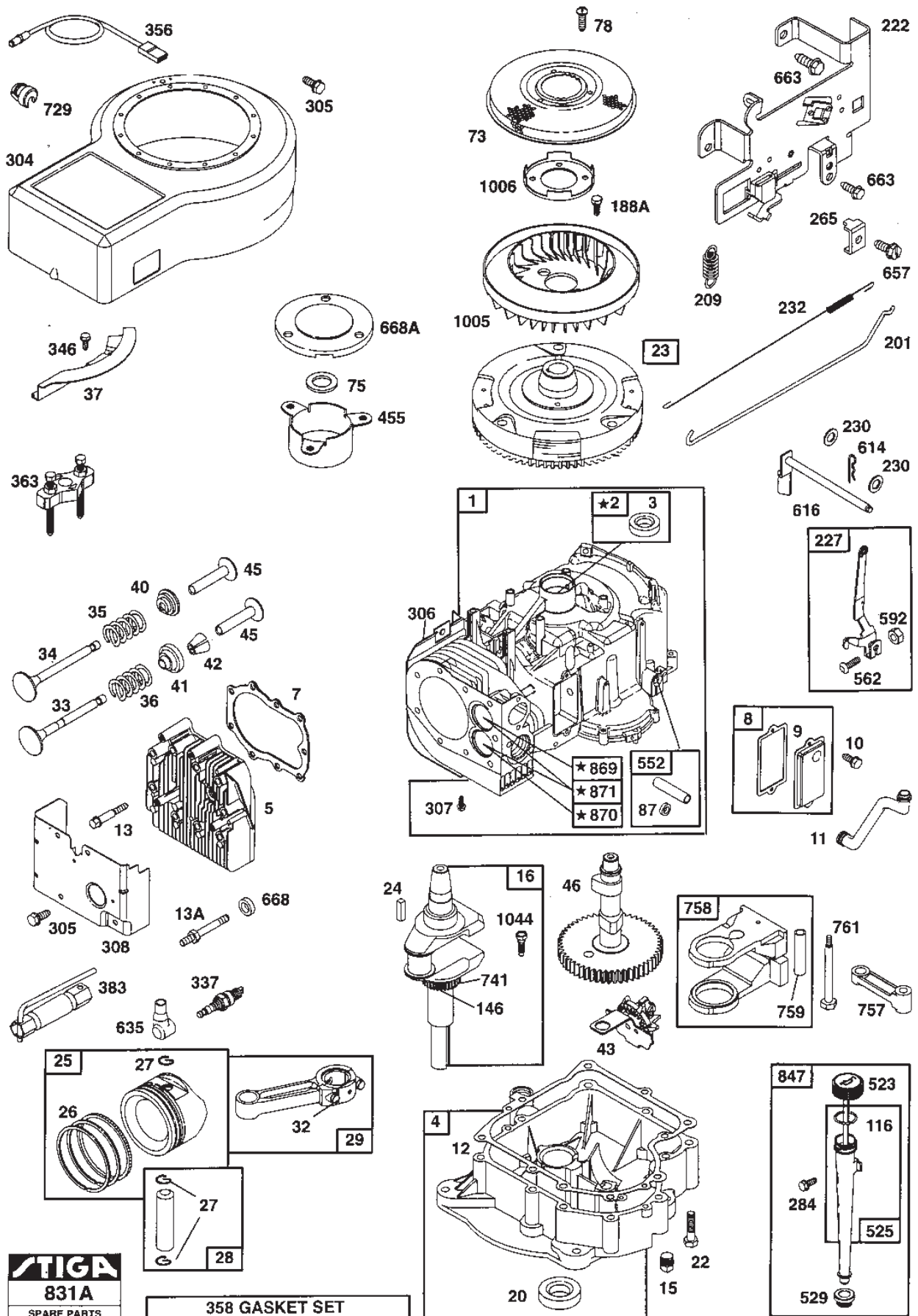
Utgåva Issue 46 - 2014		Förgasare Startmotor	Carburettor Starter Motor		
Pos. Fig.	Antal Quantity	Art nr Part No	Benämning	Description	Anmärkning Notes
50	1	213819	Carburettor elbow	Carburettor elbow	
51	1	272465	Packning	Gasket	
51	1	272554	Packning	Gasket	
53	2	94637	Skruv	Screw	
93	1	281346	Bussning	Bushing	
94	1	494383	Nalventil	Needle valve	
95	2	94098	Skruv	Screw	
98	1	495800	Skruv	Screw	
104	1	231789	Axel	Shaft	
105	1	231855	Nalventil	Inlet needle valve	
106	1	231854	Valve seat	Valve seat	
108	1	224540	Choke valve	Choke valve	
108	1	224558	Choke valve	Choke valve	
111	1	262820	Fjäder	Spring	
121	1	499220	Reparationssats-förg.	Overhaul kit-carb.	Märkta/marked F
123	2	94913	Skruv	Screw	
125	1	498027	Förgasare kpl	Carburettor Assy	
130	1	224539	Gasspjäll	Throttle Valve	
131	1	494379	Axel	Shaft	
133	1	494381	Flottör	Float	
137	1	281165	Packning	Gasket	
138	1	281164	Bricka	Washer	
141	1	495931	Choke shaft	Choke shaft	
141	1	495097	Choke shaft	Choke shaft	
142	1	497736	Nozzle	Nozzle	
161	1	494237	Air cleaner body	Air cleaner body	
171	1	281051	Mutter	Nut	
186	1	493496	Fuel pipe elbow	Fuel pipe elbow	
187	1	298049	Fuel line	Fuel line	
216	1	262766	Choke link	Choke link	
224	1	94730	Skruv	Screw	
240	1	298090	Bränslefilter	Fuel Filter	
284	1	94704	Skruv	Screw	
309	1	497401	Starter motor	Starter motor	
310	2	95035	Skruv	Screw	
311	4	497608	Brush set	Brush set	
333	1	492341	Armature magneto	Armature magneto	
334	2	94731	Skruv	Screw	
445	1	496894	Cartridge	Cartridge	
467	1	493903	Lasratt	Knob	
474	1	393474	Generator	Alternator	
482	4	93621	Skruv	Screw	
503	1	806000	Strap	Strap	
510	1	497606	Startdrev	Drive	
535	1	272403	Filterelement	Air Cleaner Element	
537	1	281106	O-ring	O-ring	
601	2	95162	Slangklämma	Hose clamp	
615	1	263080	Retainer	Retainer	
634	1	494455	Seal-spring	Seal-spring	



Utgåva Issue 46 - 2014		Förgasare Startmotor	Carburettor Starter Motor		
Pos. Fig.	Antal Quantity	Art nr Part No	Benämning	Description	Anmärkning Notes
634	1	494453	Seal	Seal	
646	1	224546	Brace	Brace	
663	1	94929	Skruv	Screw	
726	1	392134	Kuggkrans	Gear ring	
728	2	94951	Skruv	Screw	
729	1	225170	Wire retainer	Wire retainer	
783	1	280104	Drev	Gear	
801	1	497626	Lock	End Cap	
802	1	497607	Botten	End Cap	
851	1	493880	Terminal	Terminal	
872	1	281104	Cover	Cover	
877	1	393456	Connector	Connector	
878	1	393362	Kabelhärva	Harness	
950	1	94642	Skruv	Screw	
965	2	94010	Mutter	Nut	
975	1	494378	Bowl	Bowl	
987	1	281166	Seal	Seal	
1090	1	497605	Brush set	Brush set	
1091	1	281364	Cap	Cap	



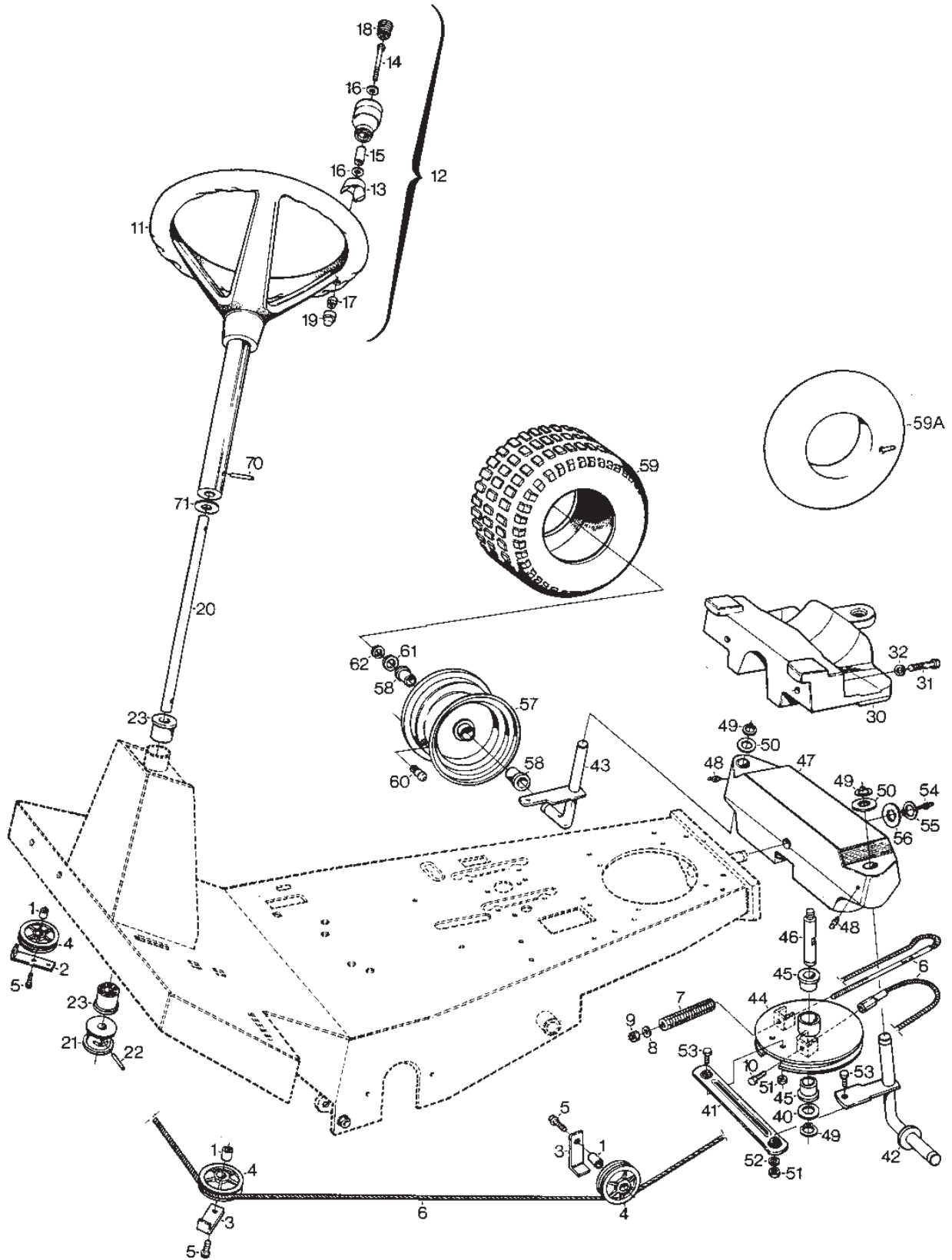
Utgåva Issue 46 - 2014		Cylinder Vevhus	Cylinder Crankcase		
Pos. Fig.	Antal Quantity	Art nr Part No	Benämning	Description	Anmärkning Notes
1	1	496413	Cylinder	Cylinder	
2	1	399265	Bussning	Bushing	
3	1	391086	Tätning	Seal	
4	1	494238	Vevhus	Oil sump	
5	1	494240	Topplöck	Cylinder Head	
7	1	271866	Packning	Gasket	
8	1	495735	Vevhusventilation	Breather	
9	1	27803	Packning	Gasket	
10	2	94621	Skruv	Screw	
11	1	281246	Rör	Tube	
12	1	271916	Packning	Gasket	
13	7	94622	Skruv	Screw	
13	2	94776	Stud	Stud	
15	1	94239	Oil drain plug	Oil drain plug	
16	1	495162	Crankshaft	Crankshaft	
20	1	291675	Tätning	Oil seal Oil Seal	
22	8	692125	Skruv	Screw	
23	1	492326	Flywheel	Flywheel	
24	1	222698	Kil	Key	
25	1	499282	Kolv	Piston	
26	1	391780	Ring set	Ring set	
27	2	263129	Lasring	Lock	
28	1	498319	Kolvsprint	Piston Pin	
29	1	490348	Vevstake kpl	Connecting rod assy	
32	2	95017	Skruv	Screw	
33	1	262246	Utblasningsventil	Exhaust valve	
34	1	262247	Insugningsventil	Intake valve	
35	1	65906	Ventilfjäder-insug	Valve spring-intake	
36	1	26828	Ventilfjäder-utblas	Valve spring-exhaust	
37	1	224502	Guard	Guard	
40	1	221596	Hallare	Retainer	
41	1	292260	Rotator	Rotocoil	
42	2	494553	Retainer	Retainer	
43	1	490815	Oljekastardrev	Oil slinger gear	
45	2	262248	Ventillyftare	Valve tappet	
46	1	213720	Kamaxel	Camshaft	
73	1	224517	Nät	Screen	
75	1	225136	Bricka	Washer	
78	3	94626	Skruv	Screw	
87	1	491323	Oil seal	Oil seal	
116	1	270920	Tätning	Seal	
146	1	94196	Kil	Key	
188	2	94627	Skruv	Screw	
201	1	262767	Governor link	Governor link	
209	1	261306	Fjäder	Spring	
222	1	495611	Governor plate	Governor plate	
227	1	493935	Arm	Lever	
230	2	94927	Bricka	Washer	
232	1	262785	Fjäder	Spring	



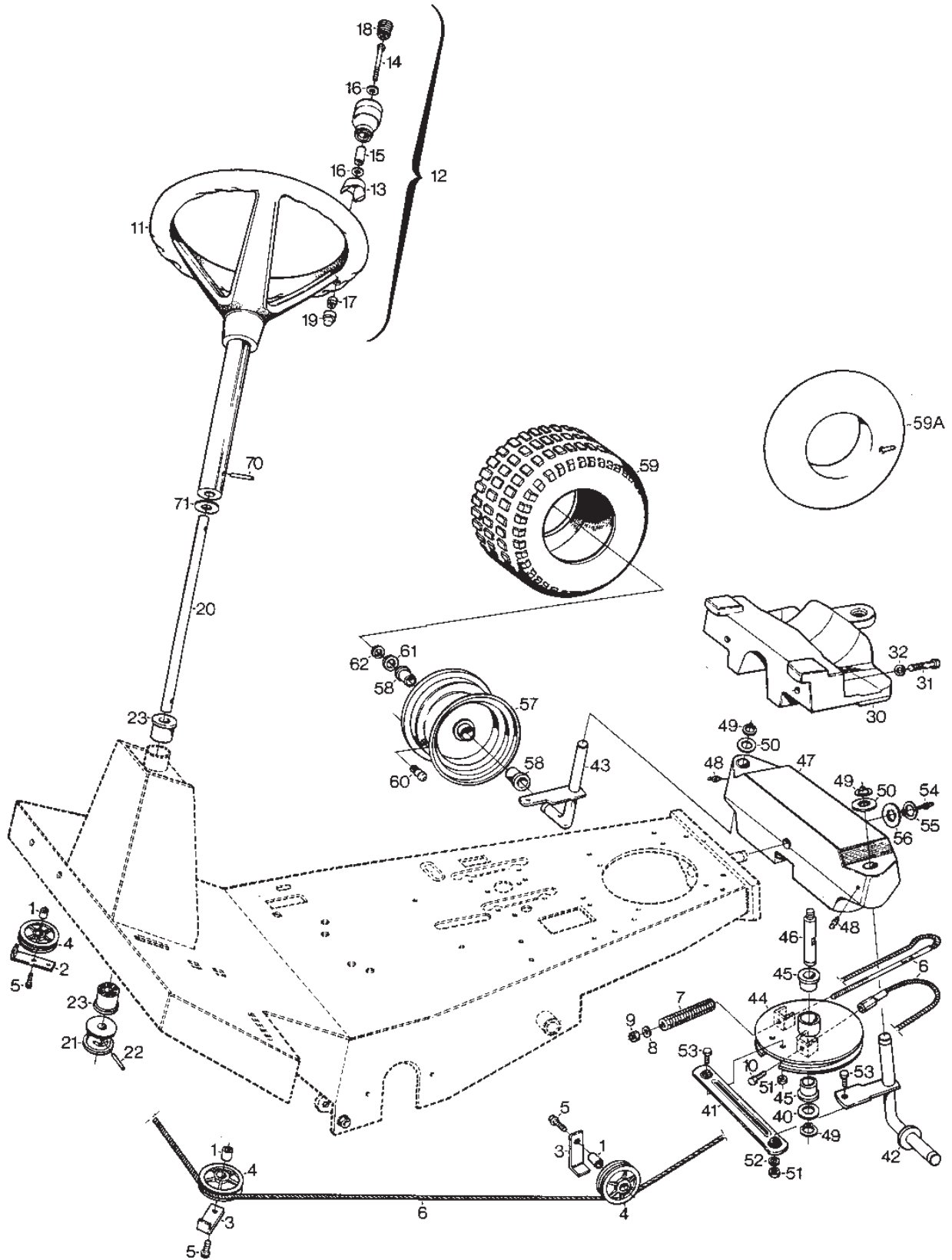
STIGA
831A
SPARE PARTS

358 GASKET SET

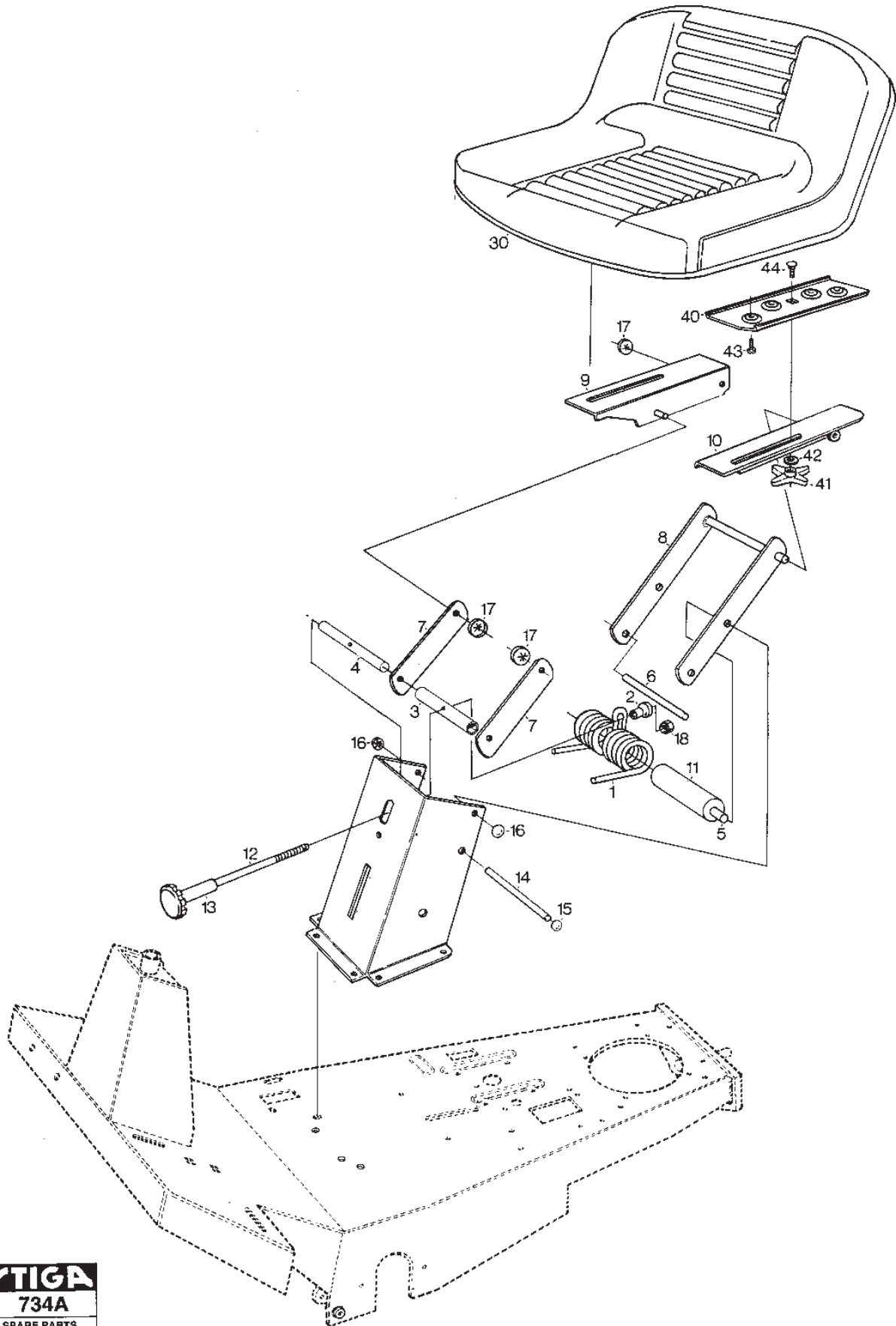
Utgåva Issue 46 - 2014		Cylinder Vevhus	Cylinder Crankcase		
Pos. Fig.	Antal Quantity	Art nr Part No	Benämning	Description	Anmärkning Notes
265	1	221535	Klämma	Clamp	
284	1	94903	Skruv	Screw	
304	1	496318	Blower housing	Blower housing	
305	4	94786	Skruv	Screw	
306	1	224545	Shield	Shield	
307	1	94930	Skruv	Screw	
308	1	491490	Skydd	Cover	
337	1	1111-9028-02	Tändstift (J19Lm)	Spark Plug (J19Lm)	Champion J19LM
337	1	9400-0225-00	Tändstift (J19Lm)	Spark Plug (J19Lm)	Champion J19LM
346	2	94896	Skruv	Screw	
356	1	494328	Ground wire	Ground wire	
358	1	494241	Packningssats-motor	Gasket set-engine	Märkta/marked S
363	1	19203	Avdragare	Puller	Tillbehör/accessory
383	1	1111-9029-01	Tändstiftsnyckel (19 Mm-21 Mm)	Spark Plug Wrench (19 Mm-21 Mm)	Tillbehör/accessory
455	1	222561	Kopp	Cup	
523	1	495230	Oil dipstick	Oil dipstick	
525	1	496113	Rör	Tube	
529	1	281370	Seal	Seal	
552	1	491986	Bussning	Bushing	
562	1	94907	Skruv	Screw	
592	1	231978	Mutter	Nut	
614	1	93306	Lasnål	Cotter Pin Cotter pin	
616	1	495157	Governor crank	Governor crank	
635	1	66538	Tändstiftsskydd	Spark plug elbow	
657	1	94906	Skruv	Screw	
663	2	94929	Skruv	Screw	
668	1	280848	Distans	Spacer	
668	1	231109	Distans	Spacer	
729	1	281159	Clip	Clip	
741	1	262932	Gear	Gear	
757	1	213998	Länk	Link	
758	1	399891	Balanseringsvikt	Counterweight	
759	1	298909	Kolvspind	Piston Pin	
761	2	94593	Skruv	Screw	
847	1	496415	Oljesticka kpl	Oil filler group	
869	1	261463	Ventilsäte	Valve seat	
870	1	262924	Valve seat-exhaust	Valve seat-exhaust	
871	1	231218	Ventilstyrning-insug	Valve guide-intake	
871	1	261961	Ventilstyrning-utblas	Valve guide-exhaust	
1005	1	280687	Fläkt	Fan	
1006	1	224413	Hallare	Fan retainer	
1044	1	94673	Skruv	Screw	



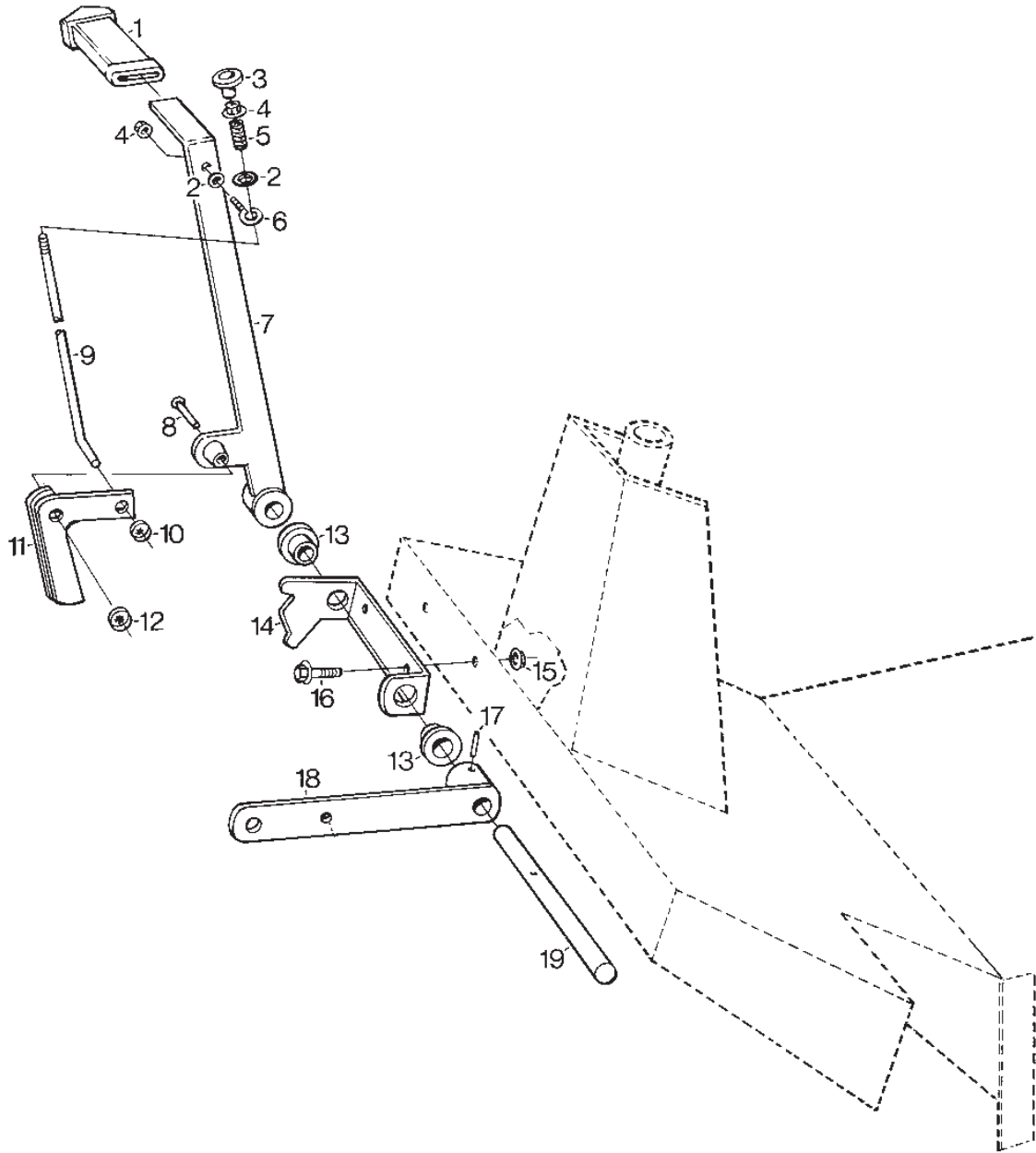
Utgåva Issue 46 - 2014		Styrning Steering			
Pos. Fig.	Antal Quantity	Art nr Part No	Benämning	Description	Anmärkning Notes
1	4	1134-0041-01	Bussning	Bushing	
2	1	1134-3022-01	Fäste	Bracket	
3	3	1134-3022-01	Fäste	Bracket	
4	2	1134-9025-01	Linhjul	Steering Pulley	Sats 2 st/kit of 2
5	4	9942-1030-16	Skruv	Screw	
6	1	1134-9023-01	Styrwire	Steering Wire	
7	1	1134-1310-01	Fjäder	Spring	
8	1	9699-0090-02	Bricka	Washer	
9	1	9747-0831-02	Mutter Lasmutter	Nut	
10	1	9959-0816-16	Skruv	Screw	
11	1	1134-3754-01	Ratt	Steering wheel	
12	1	1134-3769-01	Styrknopp Kpl Service	Steering Wheel Button Kit	
13	1	1134-3752-01	Knoppfäste	Knob Holder	
14	1	9997-0865-12	Skruv	Screw	
15	1	1134-1565-06	Distans	Spacer	
16	2	9699-0090-02	Bricka	Washer	
17	1	9747-0831-02	Mutter Lasmutter	Nut	
18	1	9403-0043-70	Plugg	Plug	
19	1	9403-0113-00	Ringmutter	Ring Nut	
20	1	1134-1424-01	Rattstang	Steering Rod	
21	1	1134-1933-01	Linhjul	Steering Pulley	
22	1	9595-0262-00	Spännstift	Locating Pin Elastic Pin	
23	2	1134-1901-01	Lager	Bearing	
30	1	1134-3538-01	Bakvikt (ej rd)	Rear weight (no spare)	2841, 2842, 2843
31	2	9997-1080-12	Skruv	Screw	
32	2	9699-0035-02	Bricka	Washer	
40	1	1134-0341-01	Bricka	Washer	
41	2	1134-3247-02	Parallellstag	Tie Rod	
42	1	1134-1428-01	Spindel-vä	Spindle Lh	
43	1	1134-1428-02	Spindel-hö	Spindle Rh	
44	1	1134-1500-02	Linhjul	Steering Pulley	
45	1	1134-9024-01	Lager (4 St)	Bearing	Sats 4 st/kit of 4
46	1	1134-1583-01	Axel	Shaft For Steering Pulley	
47	1	1134-1634-02	Bakaxel	Rear axle	2842, 2843 (US, CA)
47	1	1134-1634-02	Bakaxel	Rear axle	2841, 2842, 2843
47	1	1134-1634-01	Bakaxel	Rear axle	
48	2	9501-0500-00	Smörjkopp Kort Rak	Grease Dispenser	
49	3	9650-0020-04	Sparring	Circlip	
50	2	9699-0088-02	Bricka	Washer	
51	4	9747-0831-02	Mutter Lasmutter	Nut	
52	2	9699-0028-02	Bricka	Washer	
53	4	9997-0825-16	Skruv	Screw	
54	1	9501-0500-00	Smörjkopp Kort Rak	Grease Dispenser	
55	1	9650-0020-04	Sparring	Circlip	
56	1	9699-0088-02	Bricka	Washer	
57	2	1134-2669-02	Fälg M Lager7-13	Rim W.Bearings	
58	1	1134-9026-01	Bussning	Bearing	Sats 4 st/kit of 4
59	2	9545-0117-00	Däck	Tyre	13 x 5.00-6
60	2	9545-0500-00	Ventil	Valve Assy.	



Utgåva Issue 46 - 2014		Styrning Steering			
Pos. Fig.	Antal Quantity	Art nr Part No	Benämning	Description	Anmärkning Notes
61	2	1134-0341-01	Bricka	Washer	
62	2	9650-0020-04	Sparring	Circlip	
70	1	9595-0262-00	Spännstift	Locating Pin Elastic Pin	
71	1	9699-0114-02	Bricka	Washer	1.0 mm
71	1	9699-0103-02	Bricka	Washer	0.5 mm



Utgåva Issue 46 - 2014		Sits Seat			
Pos. Fig.	Antal Quantity	Art nr Part No	Benämning	Description	Anmärkning Notes
1	1	1134-0015-00	Sitsfjäder	Seat spring	
2	1	1134-0493-00	Mutter	Nut	
3	1	1134-2846-01	Rör	Tube	
4	1	1134-2847-01	Mellanstag	Shaft	
5	1	1134-0022-00	Reglagestang	Control Rod	
6	1	1134-0050-00	Sitsstang	Seat Rod	
7	2	1134-1650-01	Parallellstag	Tie Bar	
8	1	1134-1652-01	Fjäder	Spring	
9	1	1134-1685-03	Sitsfäste Kpl	Seat Attachment-R.H.	2842, 2843 (US, CA)
9	1	1134-3618-01	Sitsfäste Kpl. 5-01 14	Seat Attachment-R.H.	
10	1	1134-1685-04	Sitsfäste Kpl	Seat Attachment-L.H.	2842, 2843 (US, CA)
10	1	1134-3618-02	Sitsfäste Kpl. 5-01 14	Seat Attachment-L.H.	
11	1	1134-1883-01	Axel	Axle	
12	1	1134-2163-01	Spännstang Kpl.	Rod	
13	1	1134-2166-01	Distans	Spacer	
14	1	1134-2454-01	Axel	Shaft	
15	2	9672-0006-02	Starlock	Lock washer	
16	2	9672-0004-02	Starlock	Starlock	
17	4	9675-0017-02	Lasbricka	Starlock	
18	2	9799-0831-02	Mutter	Nut	
30	1	1134-2541-01	Sits Suburban	Seat	
40	2	1134-2961-01	Sitsadapter 5-01 24	Seat Adapter	
41	2	1134-1711-01	Knopp	Knob	
42	2	9699-0062-02	Bricka	Washer	
43	4	9988-3616-16	Skruv	Screw	
44	2	9898-0820-16	Skruv	Screw	



Utgåva Issue 46 - 2014		Manuell Redskapslyft		Manual Lifting Device	
Pos. Fig.	Antal Quantity	Art nr Part No	Benämning	Description	Anmärkning Notes
0	1	1134-1437-02	röds kapslyft Smst Villa	Accessory Ricing Device	
1	1	9403-0110-01	Höjdinst.Handtag Ej Kapad	Handle	
2	2	9699-0025-02	Bricka	Washer	
3	1	1134-0583-00	Knopp	Knob	
4	2	9739-0631-22	Mutter	Nut	
5	1	1111-0053-00	Fjäder	Spring	
6	1	1134-1889-01	Skruvögla	Eye Bolt	
7	1	1134-0859-03	Svärd	Bar	
8	1	9646-0099-22	Nit Kn 8X30	Rivet	
9	1	1134-0858-00	Tryckstang	Push Rod	
10	1	9675-0008-02	Starlockbricka	Starlock	
11	1	1134-2911-01	Lashake	Locking Pawl	
12	1	9675-0012-02	Starlock	Locking washer	
13	2	1134-2684-01	Lager	Bearing	
14	1	1134-0536-00	Lyftsegment	Locking Plate	
15	2	9739-1031-22	Mutter	Nut	
16	2	9959-1020-16	Skruv	Screw	
17	2	9595-0258-00	Spännstift	Locating Pin	
18	1	1134-1604-01	Lyftarm Kpl	Trippet	
19	1	1134-1884-01	Lyftaxel	Lifting Shaft	

