

Section: KANZAKI TRANSAXLE K46G

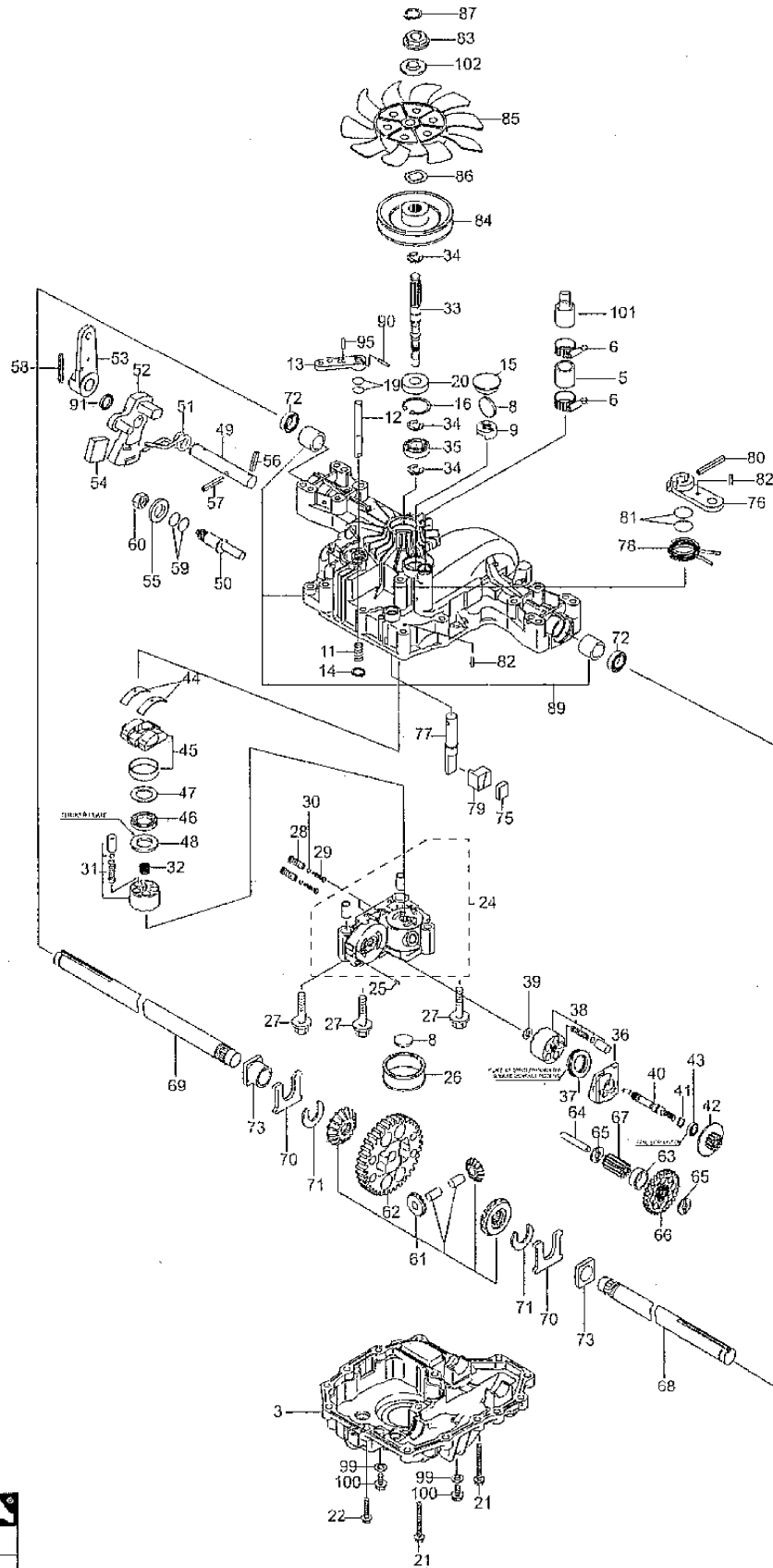
| Pos. | Quantity | Spare part No | Description | Kit | Notes | New |
|------|----------|---------------|---------------------|-----|-------------------|-----|
| K46G | | | | | | |
| 3 | 1 | 1139-1321-01 | Lower housing | | s/n 012411- | |
| 5 | 1 | 1139-1301-01 | Tube | | | |
| 6 | 2 | 1139-1336-01 | Hose clamp | | | |
| 8 | 1 | 1139-1150-01 | Magnet | | | |
| 9 | 1 | 1139-1240-01 | Holder-magnet | | | |
| 11 | 1 | 1139-1028-01 | Spring | | | |
| 12 | 1 | 1139-1251-01 | Shaft-bypass | | | |
| 13 | 1 | 1139-1189-01 | Lever-bypass | | | |
| 14 | 1 | 1139-1161-01 | Ring | | | |
| 15 | 1 | 1139-1275-01 | Bore plug | | | |
| 16 | 1 | 1139-1104-01 | Snap ring | | | |
| 19 | 2 | 1139-1117-01 | O-ring | | | |
| 20 | 1 | 1139-1119-01 | Seal | | | |
| 21 | 2 | 1139-1295-01 | Tapping screw | | | |
| 22 | 14 | 1139-0244-01 | Tapping screw | | | |
| 24 | 1 | 1139-1340-01 | Center case assy | | s/n 015419- | |
| 24 | 1 | 1139-1273-01 | Center case assy | | s/n 010804-015418 | |
| 25 | 1 | 1139-1158-01 | Pin | | | |
| 26 | 1 | 1139-1063-01 | Filter | | | |
| 27 | 3 | 1139-1294-01 | Bolt | | | |
| 28 | 2 | 1139-1339-01 | Valve | | | |
| 29 | 2 | 1139-1243-01 | Spring | | | |
| 30 | 2 | 1139-1307-01 | Filter | | | |
| 31 | 1 | 1139-1159-01 | Cylinder block assy | | | |
| 32 | 1 | 1139-1245-01 | Spring | | | |
| 33 | 1 | 1139-1246-01 | Pump shaft | | | |
| 34 | 3 | 1139-1146-01 | Ring | | | |
| 35 | 1 | 1139-1110-01 | Ball bearing | | | |
| 36 | 1 | 1139-1157-01 | Housing | | | |
| 37 | 1 | 1139-1054-01 | Bearing | | | |
| 38 | 1 | 1139-1139-01 | Cylinder block assy | | | |
| 39 | 1 | 1139-1160-01 | Washer | | | |
| 40 | 1 | 1139-1247-01 | Motor shaft | | s/n 010804-015563 | |
| 40 | 1 | 1139-1353-01 | Motor shaft | | s/n 015564- | |
| 41 | 1 | 1139-1021-01 | Snap ring | | | |
| 42 | 1 | 1139-1272-01 | Motor gear | | | |
| 43 | 1 | 1139-1286-01 | Ball bearing | | | |
| 44 | 2 | 1139-1296-01 | Metal thrust | | | |
| 45 | 1 | 1139-1067-01 | Swash plate assy | | | |
| 46 | 1 | 1139-1068-01 | Bearing | | | |

Section: KANZAKI TRANSAXLE K46G

| Pos. | Quantity | Spare part No | Description | Kit | Notes | New |
|------|----------|---------------|-----------------------|-----|-------------------|-----|
| K46G | | | | | | |
| 47 | 1 | 1139-1070-01 | Thrust plate | | | |
| 48 | 1 | 1139-1069-01 | Thrust plate | | | |
| 49 | 1 | 1139-1354-01 | Control shaft | | s/n 012411- | |
| 49 | 1 | 1139-1315-01 | Control shaft | | s/n 010804-012410 | |
| 50 | 1 | 1139-1316-01 | Fulcrum | | | |
| 51 | 1 | 1139-1312-01 | Spring | | | |
| 52 | 1 | 1139-1314-01 | Control arm | | | |
| 53 | 1 | 1139-1325-01 | Control lever | | | |
| 54 | 1 | 1139-1250-01 | Jerky plate | | | |
| 55 | 1 | 1139-1102-01 | Washer | | | |
| 56 | 1 | 1139-1327-01 | Pin | | s/n 010804-012410 | |
| 56 | 1 | 1139-1355-01 | Cotter pin | | s/n 012411- | |
| 57 | 1 | 1139-1329-01 | Pin | | | |
| 58 | 1 | 1139-1285-01 | Pin | | | |
| 59 | 2 | 1139-1115-01 | O-ring | | | |
| 60 | 1 | 1139-1127-01 | Nut | | | |
| 61 | 1 | 1139-1162-01 | Differential gear kit | | | |
| 62 | 1 | 1139-1258-01 | Final gear | | | |
| 63 | 1 | 1139-1255-01 | Collar | | | |
| 64 | 1 | 1139-1256-01 | Reduction shaft | | | |
| 65 | 2 | 1139-1257-01 | Washer | | | |
| 66 | 1 | 1139-1267-01 | Reduction gear | | | |
| 67 | 1 | 1139-1259-01 | Final pinion | | | |
| 68 | 1 | 1139-1344-01 | Axle shaft-left | | s/n 014195- | |
| 68 | 1 | 1139-1269-01 | Axle shaft-left | | s/n 010804-014194 | |
| 69 | 1 | 1139-1345-01 | Axle shaft-right | | s/n 014195- | |
| 69 | 1 | 1139-1270-01 | Axle shaft-right | | s/n 010804-014194 | |
| 70 | 2 | 1139-1078-01 | Thrust washer | | | |
| 71 | 2 | 1139-1163-01 | Ring | | | |
| 72 | 2 | 1139-1080-01 | Seal | | | |
| 73 | 2 | 1139-1164-01 | Bushing | | | |
| 75 | 1 | 1139-1260-01 | Brake shoe | | | |
| 76 | 1 | 1139-1261-01 | Brake arm | | | |
| 77 | 1 | 1139-1320-01 | Brake shaft | | | |
| 78 | 1 | 1139-1263-01 | Return spring | | | |
| 79 | 1 | 1139-1264-01 | Brake actuator | | | |
| 80 | 1 | 1139-1282-01 | Pin | | | |
| 81 | 2 | 1139-1114-01 | O-ring | | | |
| 82 | 2 | 1139-1281-01 | Pin | | | |
| 83 | 1 | 1139-1248-01 | Spline collar | | | |

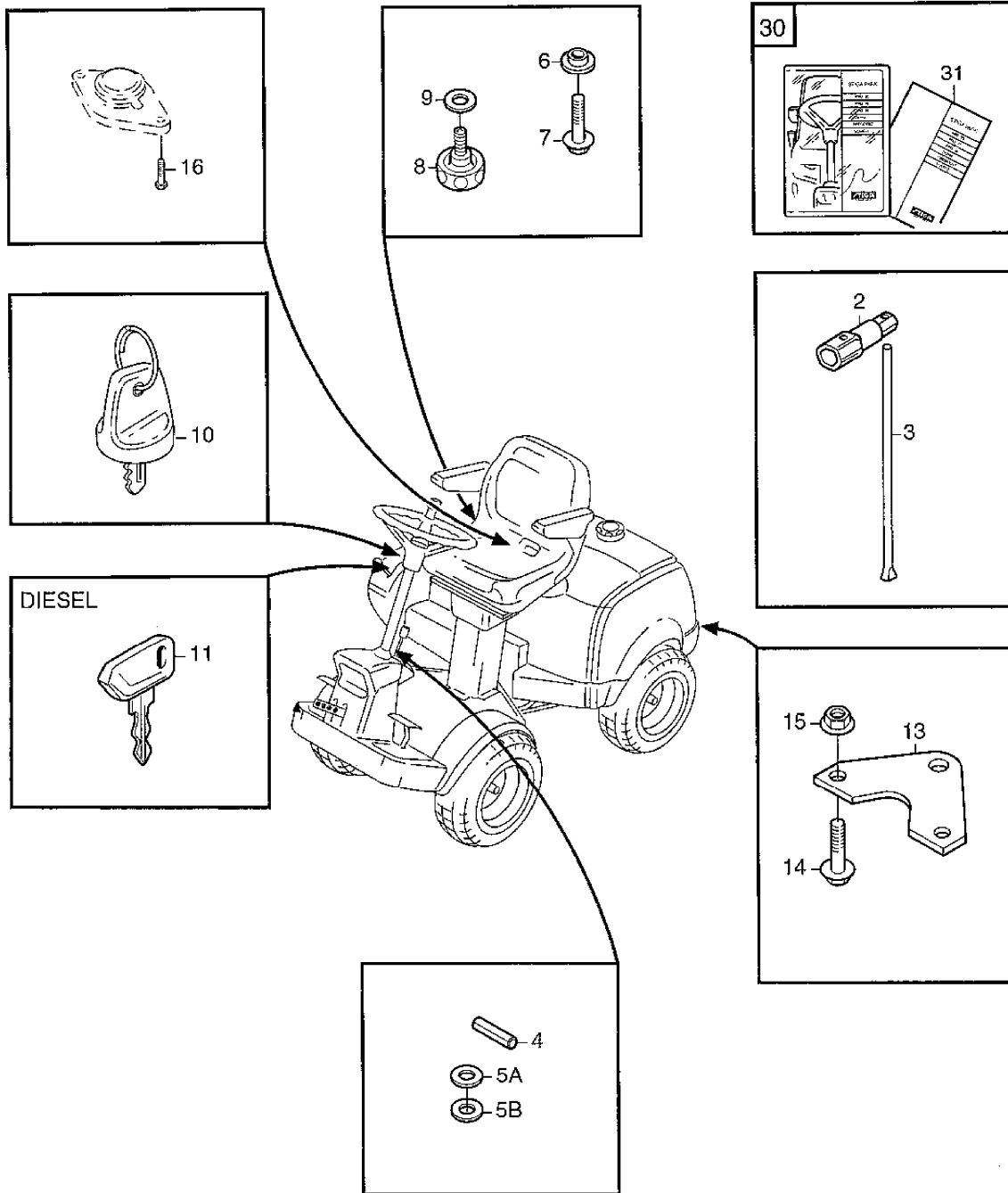
Section: KANZAKI TRANSAXLE K46G

| Pos. | Quantity | Spare part No | Description | Kit | Notes | New |
|------|----------|---------------|--------------------|-----|-------|-----|
| K46G | | | | | | |
| 84 | 1 | 1139-1249-01 | Pulley | | | |
| 85 | 1 | 1134-4190-01 | Fan | | | |
| 86 | 1 | 1139-1266-01 | Lock washer | | | |
| 87 | 1 | 1139-1149-01 | Snap ring | | | |
| 89 | 1 | 1139-1302-01 | Upper housing assy | | | |
| 90 | 1 | 1139-1280-01 | Pin | | | |
| 91 | 1 | 1139-1303-01 | Oil seal | | | |
| 95 | 1 | 1139-1279-01 | Pin | | | |
| 99 | 2 | 1139-1103-01 | Seal washer | | | |
| 100 | 2 | 1139-1123-01 | Bolt | | | |
| 101 | 1 | 1139-1306-01 | Adapter | | | |
| 102 | 1 | 1139-1276-01 | Collar | | | |



Section: PARK ACCESSORY BAGS

| Pos. | Quantity | Spare part No | Description | Kit | Notes | New |
|------|----------|---------------|----------------|--------------------|-----------------------|------------------|
| | | 6112 | | | | |
| | | 6113 | 6114 | | | |
| | | 6143 | 6216 6221 6231 | | | |
| 0 | | 1 | 1134-4249-04 | Assembly parts | | |
| 0 | 1 | 1 | 1134-4249-01 | Assembly parts | | |
| 2 | 1 | 1 | 1134-4541-01 | .Spark plug wrench | 5/8" (16 mm)/21 mm | |
| 3 | 1 | 1 | 1111-2113-01 | .Rod | | |
| 4 | 1 | 1 | 1 | 9595-0262-00 | .Locating pin | |
| 5A | 1 | 1 | 1 | 9699-0103-02 | .Flat washer | 0.5 mm |
| 5B | 1 | 1 | 1 | 9699-0114-02 | .Flat washer | 1.0 mm |
| 6 | 2 | 2 | 2 | 1134-4185-01 | .Flange washer | |
| 7 | 2 | 2 | 2 | 9959-0820-16 | .Screw | |
| 8 | 2 | 2 | 2 | 1134-2609-01 | .Knob | |
| 9 | 2 | 2 | 2 | 9699-0062-02 | .Flat washer | |
| 10 | 2 | 2 | 2 | 1134-4734-01 | .Ignition key | |
| 11 | | | 2 | 1134-4909-01 | .Ignition key | |
| 13 | 1 | 1 | 1 | 1134-4003-01 | .Towing plate | |
| 14 | 2 | 2 | 2 | 9959-0820-16 | .Screw | |
| 15 | 2 | 2 | 2 | 9739-0831-22 | .Nut | |
| 16 | 2 | 2 | 2 | 9837-8914-12 | .Screw | 6112, 6113, 6143 |
| 30 | 1 | 1 | 1 | 1134-3771-57 | Folder w.manuals | |
| 30 | | | 1 | 1134-3771-58 | Folder w.manuals | |
| 31 | 1 | 1 | 1 | 8211-0209-10 | .Safety regulations | |
| 31 | 1 | 1 | 1 | 8211-0276-04 | .Owner's manual | |
| 31 | 1 | 1 | 1 | 8211-0277-03 | .Service book | |
| 31 | 1 | 1 | 1 | 8211-0278-04 | .Assembly instruction | |
| 31 | | | 1 | 8211-0315-02 | .Owner's manual | |
| 31 | | | 1 | 8211-0322-01 | .Service book | |
| 31 | | | 1 | 8211-0325-02 | .Owner's manual | |
| 31 | 1 | 1 | 1 | 8211-2002-03 | .Warranty card | |
| 31 | 1 | 1 | 1 | 8211-0321-04 | .EC-Declaration | |

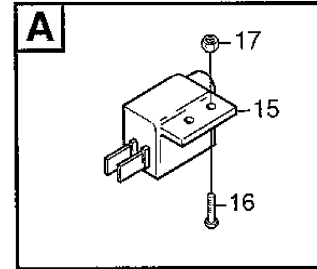
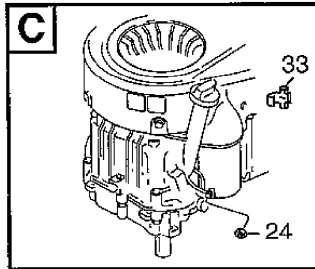
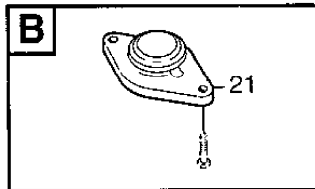
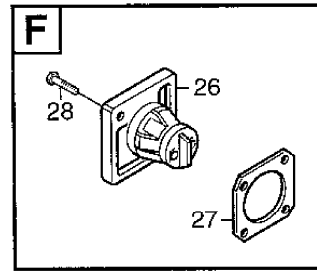
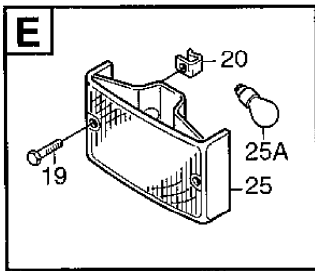
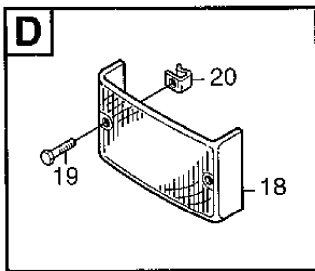
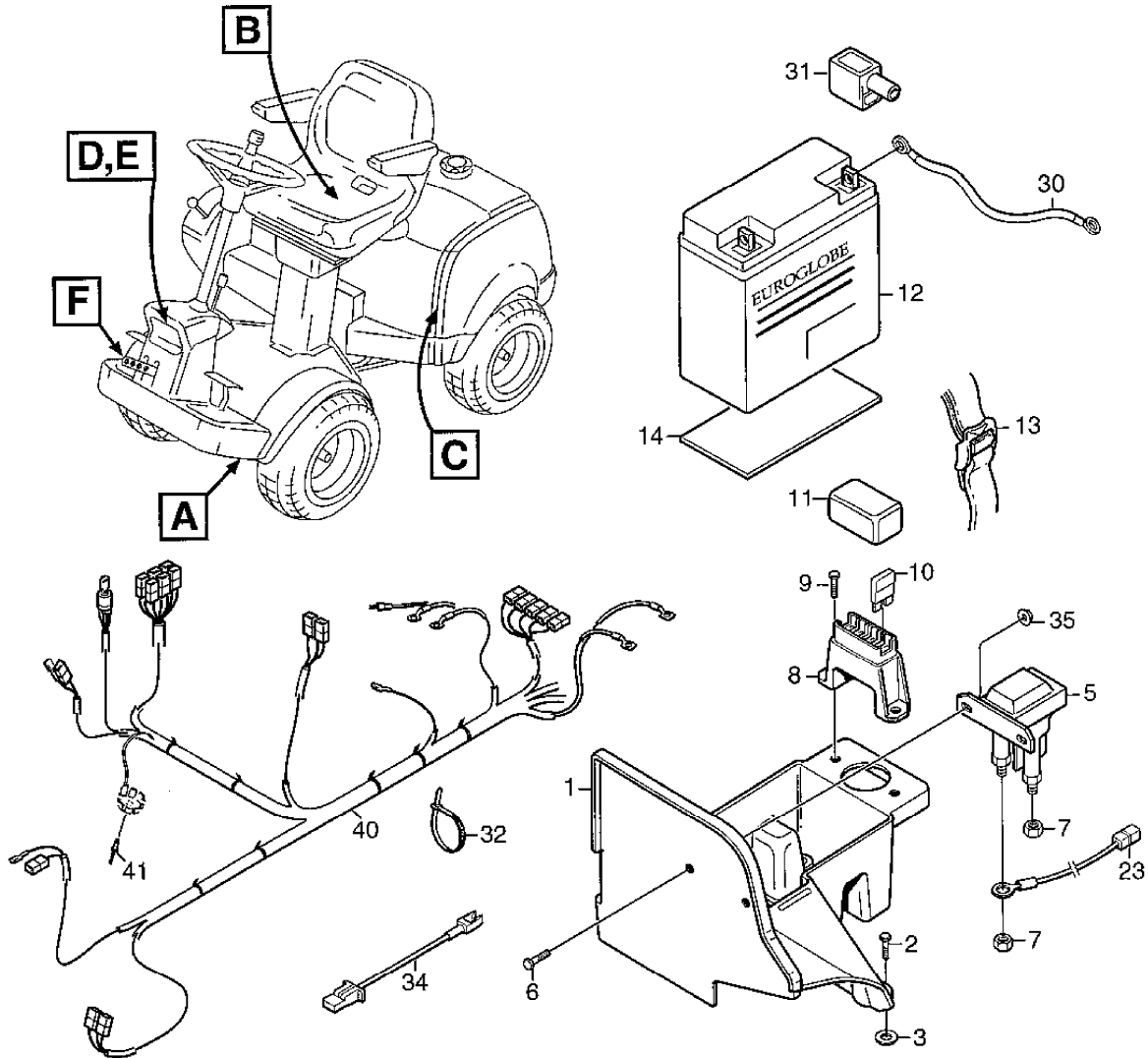


Section: PARK EL. EQUIPMENT (Petrol engines)

| Pos. | Quantity | Spare part No | | | | Description | Kit | Notes | New |
|------|----------|---------------|------|------|--------------|---------------------|-----|------------------|-----|
| | | 6113 | | 6216 | | | | | |
| | | 6112 | 6143 | 6114 | 6221 | | | | |
| 1 | 1 | 1 | 1 | 1 | 1134-4806-01 | Battery shelf | | | |
| 2 | 3 | 3 | 2 | 2 | 9893-0616-16 | Screw | | | |
| 3 | 2 | 2 | | | 9699-0060-02 | Flat washer | | | |
| 5 | 1 | 1 | 1 | 1 | 1134-2962-01 | Solenoid assy | | Inkl. pos 7 | |
| 6 | 2 | 2 | 2 | 2 | 9893-0616-16 | Screw | | | |
| 7 | 2 | 2 | 2 | 2 | 9794-5131-02 | .Nut | | | |
| 8 | 1 | 1 | 1 | 1 | 1134-3491-01 | Fuse holder | | | |
| 9 | 2 | 2 | 2 | 2 | 9838-9516-12 | Screw | | | |
| 10 | | | 1 | 1 | 1134-3496-01 | Fuse | | 10A | |
| 10 | 1 | 1 | 1 | 1 | 1134-3496-06 | Fuse | | 20A | |
| 10 | | | 1 | 1 | 1134-3496-07 | Fuse | | 30A | |
| 11 | 1 | 1 | 1 | 1 | 1134-3631-01 | Cover-fuse holder | | | |
| 12 | 1 | 1 | 1 | 1 | 1134-4804-01 | Battery | | | |
| 13 | 1 | 1 | 1 | 1 | 9400-0064-02 | Battery holder | | | |
| 14 | 1 | 1 | 1 | 1 | 1134-5227-01 | Battery pad | | | |
| 15 | | | 1 | 1 | 1134-3399-01 | Switch | | | |
| 15 | 1 | 1 | | | 1134-3399-02 | Switch | | | |
| 16 | 2 | 2 | 2 | 2 | 9997-0520-16 | Screw | | | |
| 17 | 2 | 2 | 2 | 2 | 9747-0531-02 | Nut | | | |
| 18 | 1 | | | | 1134-4173-01 | Cover | | | |
| 19 | 2 | 2 | 2 | 2 | 9849-7819-16 | Screw | | | |
| 20 | 2 | 2 | 2 | 2 | 1134-4177-01 | Clips | | | |
| 21 | 1 | 1 | | | 1134-4194-01 | Seat switch | | | |
| 23 | 1 | 1 | 1 | 1 | 1134-4970-01 | Cable | | | |
| 24 | 1 | 1 | 1 | 1 | 9795-3531-02 | Nut | | | |
| 25 | | 1 | 1 | 1 | 1134-4172-01 | Headlamp assy | | | |
| 25A | | 1 | 1 | 1 | 9400-0293-01 | .Bulb | | 12V - 21W | |
| 26 | | | 1 | 1 | 1134-4056-01 | Female terminal | | | |
| 27 | | | 1 | 1 | 1134-4052-01 | Support washer | | | |
| 28 | | | 2 | 2 | 9840-7716-16 | Screw | | | |
| 30 | 1 | 1 | 1 | 1 | 1134-0234-02 | Battery cable (+) | | | |
| 31 | 1 | 1 | 1 | 1 | 1134-2310-01 | Guard cap | | | |
| 32 | 15 | 15 | 15 | 15 | 9579-0003-00 | Cable holder | | 6221 - 20 st. | |
| 33 | | 1 | 2 | 2 | 9400-0231-00 | Splicer | | | |
| 34 | | 1 | | | 1134-4994-01 | Cable | | 6113-14, 6113-44 | |
| 35 | 2 | 2 | 2 | 2 | 9739-0631-22 | Nut | | | |
| 40 | | 1 | | | 1134-5085-01 | Harness | | 6113-24, 6113-94 | |
| 40 | 1 | | | | 1134-4837-01 | Harness | | | |
| 40 | | 1 | | | 1134-4838-01 | Harness | | 6113-14 | |
| 40 | | | 1 | | 1134-4839-01 | Harness | | | |

Section: PARK EL. EQUIPMENT (Petrol engines)

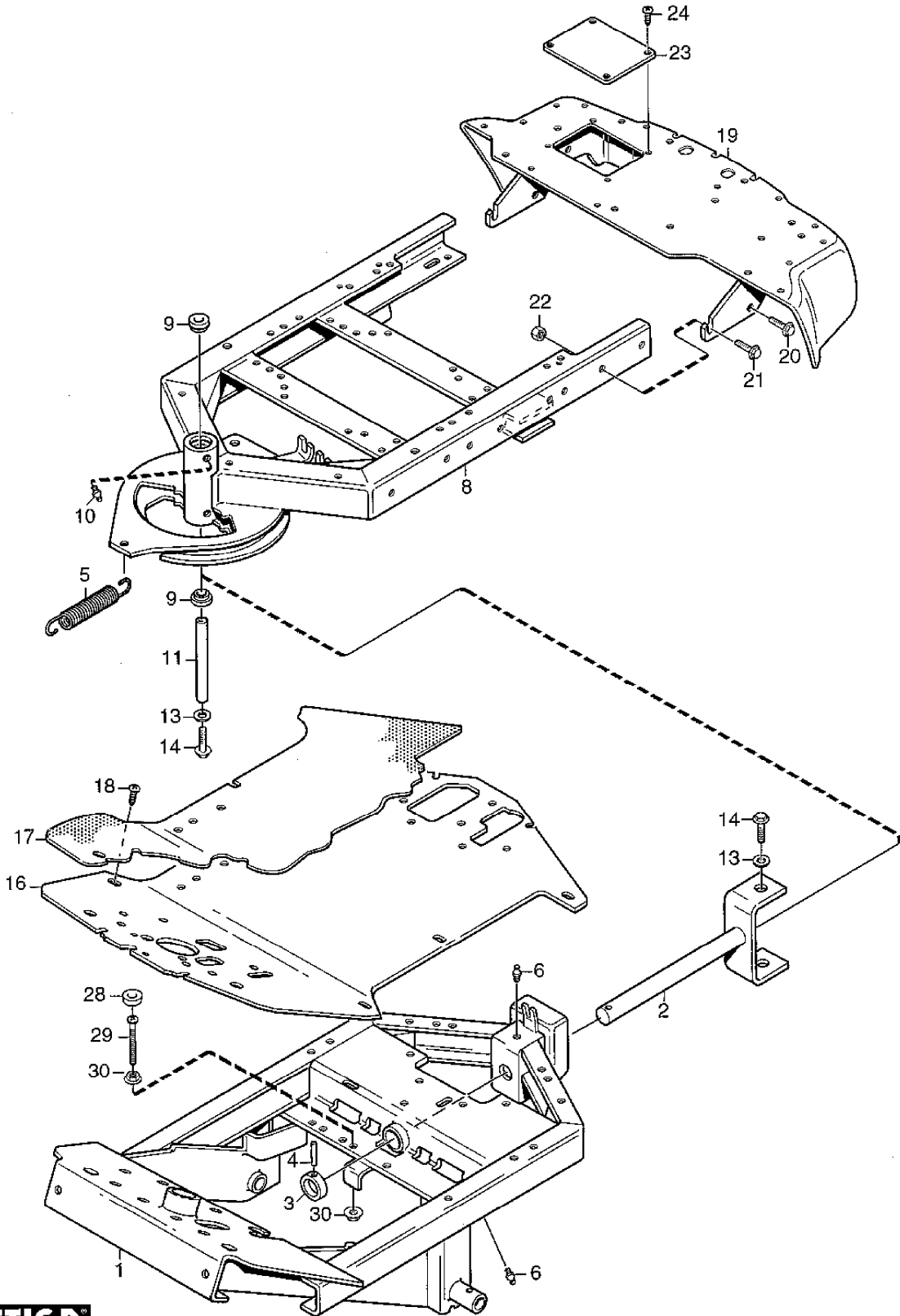
| Pos. | Quantity | Spare part No | | | | Description | Kit | Notes | New |
|------|----------|---------------|------|------|--------------|-------------|------|-------|-----|
| | | 6113 | | 6216 | | | | | |
| | | 6112 | 6143 | 6114 | 6221 | | | | |
| 40 | | | | 1 | 1134-5086-01 | Harness | 6216 | | |
| 40 | | | | 1 | 1134-5087-01 | Harness | 6221 | | |
| 41 | 1 | 1 | 1 | 1 | 9632-0522-00 | Pop rivet | | | |



STIGA
 1378A
 SPARE PARTS

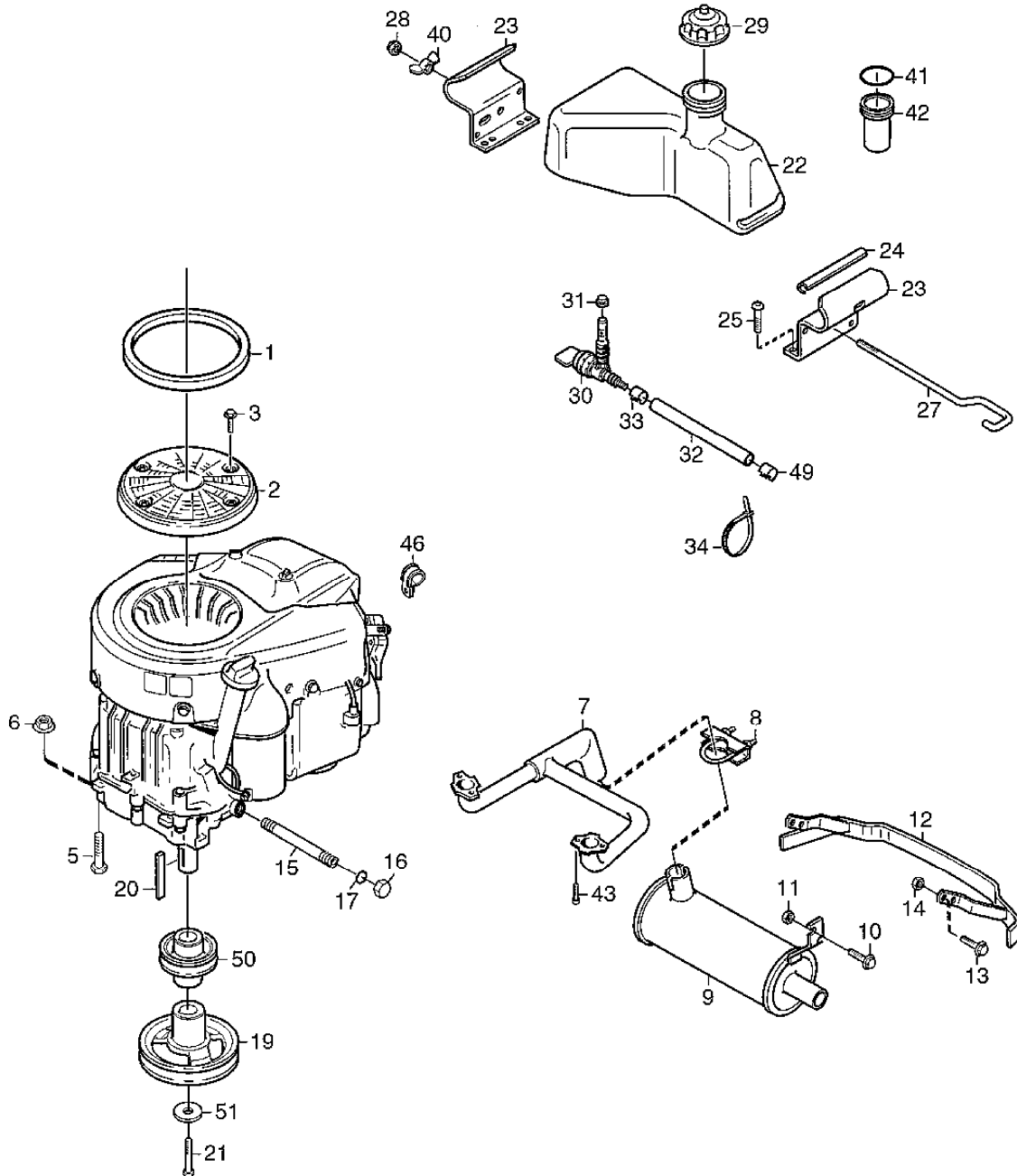
Section: PARK FRAME (Petrol engines)

| Pos. | Quantity | Spare part No | Description | Kit | Notes | New | |
|------|----------|--------------------|-------------|-----|--------------|-----------------------|------------------|
| | | 6112 | | | | | |
| | | 6113 6113 6113 | | | | | |
| | | -14 -44 -94 6216 | | | | | |
| | | -24 6143 6114 6221 | | | | | |
| 1 | 1 | 1 | 1 | 1 | 1134-5103-01 | Frame-front | |
| 2 | 1 | 1 | 1 | 1 | 1134-3963-02 | .Clevis | |
| 3 | 1 | 1 | 1 | 1 | 1134-0031-00 | .Pivot shaft stop | |
| 4 | 1 | 1 | 1 | 1 | 9595-0262-00 | .Locating pin | |
| 5 | 1 | 1 | 1 | 1 | 1134-2171-01 | Spring | |
| 6 | 2 | 2 | 2 | 2 | 9501-0500-00 | Grease joint | |
| 8 | 1 | 1 | 1 | 1 | 1134-3966-01 | Frame-rear | |
| 9 | 2 | 2 | 2 | 2 | 9547-0001-00 | .Bearing | |
| 10 | 2 | 2 | 2 | 2 | 9501-0500-00 | Grease joint | |
| 11 | 1 | 1 | 1 | 1 | 1134-3968-02 | Centre shaft (188 mm) | |
| 13 | 2 | 2 | 2 | 2 | 9699-0035-02 | Flat washer | |
| 14 | 2 | 2 | 2 | 2 | 9959-1020-16 | Screw | |
| 16 | 1 | 1 | 1 | 1 | 1134-3965-01 | Floor plate | |
| 17 | 1 | | | | 1134-4062-01 | Floor mat | 6112-14 |
| 17 | 1 | 1 | 1 | 1 | 1134-4061-01 | Floor mat | 6113-14, 6113-24 |
| 18 | 2 | 2 | 2 | 2 | 9893-0616-16 | Screw | |
| 19 | | | | 1 | 1134-4833-01 | Bumper-grey | |
| 19 | 1 | 1 | 1 | | 1134-4833-02 | Bumper-black | |
| 20 | 2 | 2 | 2 | 2 | 9945-0816-16 | Screw | |
| 21 | 2 | 2 | 2 | 2 | 9959-0820-16 | Screw | |
| 22 | 2 | 2 | 2 | 2 | 9739-0831-22 | Nut | |
| 23 | 1 | 1 | 1 | 1 | 1134-4167-01 | Cover | |
| 24 | 4 | 4 | 4 | 4 | 9840-8009-16 | Screw | |
| 28 | 1 | 1 | | | 1134-4975-01 | Rubber block | |
| 29 | 1 | 1 | | | 9950-0570-12 | Screw | |
| 30 | 2 | 2 | | | 9739-0531-22 | Nut | |



Section: PARK POWER ENGINE

| Pos. | Quantity | Spare part No | Description | Kit | Notes | New |
|------|----------|---------------|----------------------|-----|--------------------|-----|
| | 6113 | | | | | |
| | -94 | | | | | |
| 1 | 1 | 1134-4222-03 | Seal ring | | H = 20 mm | |
| 2 | 1 | 1134-4168-01 | Fan disc | | | |
| 3 | 4 | 9836-9516-12 | Screw | | | |
| 5 | 4 | 9997-0840-16 | Screw | | L = 40 mm | |
| 6 | 4 | 9739-0831-22 | Nut | | | |
| 7 | 1 | 1134-4166-01 | Exhaust pipe | | | |
| 8 | 1 | 9578-0011-00 | Clamp | | | |
| 9 | 1 | 1134-4952-01 | Muffler | | | |
| 10 | 1 | 9959-0820-16 | Screw | | | |
| 11 | 1 | 9739-0831-22 | Nut | | | |
| 12 | 1 | 1134-4046-02 | Muffler guard-black | | | |
| 13 | 4 | 9959-0820-16 | Screw | | | |
| 14 | 4 | 9739-0831-22 | Nut | | | |
| 15 | 1 | 1134-4978-02 | Oil drain pipe assy | | | |
| 16 | 1 | 1134-4976-01 | .Plug | | | |
| 17 | 1 | 1134-4977-01 | .Copper washer | | | |
| 19 | 1 | 1134-4999-01 | Engine pulley | | | |
| 20 | 1 | 9600-0251-01 | Key | | | |
| 21 | 1 | 9987-5332-16 | Screw | | | |
| 22 | 1 | 1134-4757-03 | Fuel tank assy | | Inkl. 29-33, 41-42 | |
| 23 | 2 | 1134-4273-03 | Tank bracket | | | |
| 24 | 2 | 1134-2941-01 | Protection strip | | | |
| 25 | 4 | 9893-0616-16 | Screw | | | |
| 27 | 1 | 1134-4356-01 | Tank rod | | | |
| 28 | 1 | 9747-0831-02 | Lock nut | | | |
| 29 | 1 | 1134-4063-01 | .Fuel cap | | | |
| 30 | 1 | 1134-3224-01 | .Fuel shut-off valve | | | |
| 31 | 1 | 1134-3225-01 | .Grommet | | | |
| 32 | 1 | 1134-2975-04 | .Fuel line | | L = 710 mm | |
| 33 | 1 | 9578-0023-02 | .Hose clamp | | | |
| 34 | 1 | 9579-0003-00 | Cable holder | | | |
| 40 | 1 | 1134-4481-01 | Wing nut | | | |
| 41 | 1 | 9404-0025-01 | .O-ring | | | |
| 42 | 1 | 1134-4411-01 | .Fuel tank insert | | | |
| 43 | 4 | 9931-3619-16 | Screw | | | |
| 46 | 1 | 1134-0994-02 | Tube clamp | | | |
| 49 | 1 | 9578-0023-02 | Hose clamp | | | |
| 50 | 1 | 1134-5000-01 | Engine pulley | | | |
| 51 | 1 | 1134-5017-01 | Washer | | | |

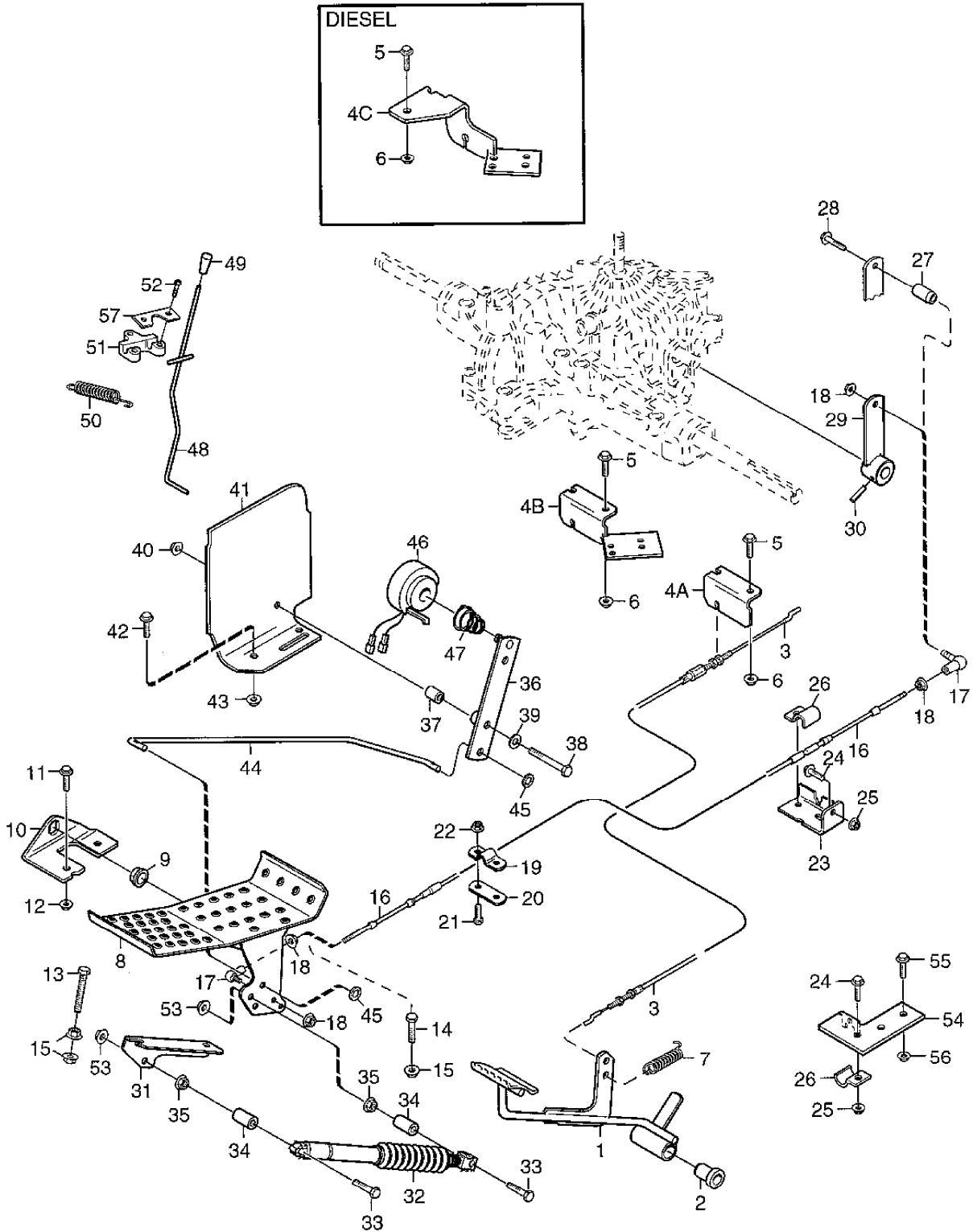


Section: PARK PRES.-COMFORT-ROYAL- PRO 16-PRO 20-DIESEL FOOT CONTROLS

| Pos. | Quantity | Spare part No | | | | Description | Kit | Notes | New |
|------|----------|---------------|------|------|--------------|----------------------|--------------------|-------|-----|
| | | 6113 | 6216 | | | | | | |
| | | 6143 | 6114 | 6221 | 6231 | | | | |
| 1 | 1 | 1 | 1 | 1 | 1134-4247-01 | Brake/clutch pedal | | | |
| 2 | 1 | 1 | 1 | 1 | 1134-9024-01 | .Bearing | Sats 4 st/kit of 4 | | |
| 3 | | | 1 | 1 | 1134-3584-02 | Brake/clutch cable | | | |
| 3 | 1 | 1 | | | 1134-3584-03 | Brake/clutch cable | | | |
| 4A | 1 | 1 | | | 1134-3906-01 | Cable holder | | | |
| 4B | | | 1 | | 1134-4760-01 | Holder | | | |
| 4C | | | | 1 | 1134-4927-01 | Holder | | | |
| 5 | 2 | 2 | 2 | 2 | 9959-0816-16 | Screw | | | |
| 6 | 2 | 2 | 2 | 2 | 9739-0831-22 | Nut | | | |
| 7 | 1 | 1 | 1 | 1 | 1134-3974-01 | Spring | | | |
| 8 | 1 | 1 | 1 | 1 | 1134-4008-01 | Drive pedal | | | |
| 9 | 2 | 2 | 2 | 2 | 1134-2780-01 | Bearing | | | |
| 10 | 2 | 2 | 2 | 2 | 1134-2700-01 | Bracket | | | |
| 11 | 2 | 2 | 2 | 2 | 9959-0820-16 | Screw | | | |
| 12 | 2 | 2 | 2 | 2 | 9739-0831-22 | Nut | | | |
| 13 | 1 | 1 | 1 | 1 | 9997-0870-16 | Screw | | | |
| 14 | 1 | 1 | 1 | 1 | 9959-0816-16 | Screw | | | |
| 15 | 3 | 3 | 3 | 3 | 9739-0831-22 | Nut | | | |
| 16 | | | 1 | 1 | 1134-2766-04 | Speed control cable | | | |
| 16 | 1 | 1 | | | 1134-2766-05 | Speed control cable | | | |
| 17 | 2 | 2 | 2 | 2 | 9570-0001-00 | Elbow link | | | |
| 18 | 3 | 3 | 4 | 4 | 9739-0531-22 | Nut | | | |
| 19 | 1 | 1 | 1 | 1 | 1134-0266-00 | Attaching clamp | | | |
| 20 | 1 | 1 | 1 | 1 | 1134-0267-00 | Clamp plate | | | |
| 21 | 2 | 2 | 2 | 2 | 9997-0520-16 | Screw | | | |
| 22 | 2 | 2 | 2 | 2 | 9739-0531-22 | Nut | | | |
| 23 | 1 | 1 | 1 | 1 | 1134-3395-01 | Attachment | | | |
| 24 | 2 | 2 | 2 | 2 | 9959-0820-16 | Screw | L = 20 mm | | |
| 25 | 2 | 2 | 2 | 2 | 9739-0831-22 | Nut | | | |
| 26 | 1 | 1 | 1 | 1 | 1134-2021-01 | Clamp | | | |
| 27 | 1 | 1 | | | 1134-4013-01 | Spacer | | | |
| 28 | 1 | 1 | | | 9959-0820-16 | Screw | | | |
| 29 | | | 1 | 1 | 1134-4042-01 | Control lever | | | |
| 30 | | | 1 | 1 | 9595-0258-00 | Locating pin | | | |
| 31 | | | 1 | 1 | 1134-3996-01 | Bracket | | | |
| 32 | | | 1 | 1 | 1134-4187-01 | Damper | | | |
| 33 | | | 2 | 2 | 9997-0840-16 | Screw | | | |
| 34 | | | 2 | 2 | 1134-1565-09 | Spacer | | | |
| 35 | | | 2 | 2 | 9739-0831-22 | Nut | | | |
| 36 | | 1 | 1 | 1 | 1134-4017-01 | Lever-cruise control | | | |

Section: PARK PRES.-COMFORT-ROYAL- PRO 16-PRO 20-DIESEL FOOT CONTROLS

| Pos. | Quantity | Spare part No | | | | Description | Kit | Notes | New |
|------|----------|---------------|------|------|--------------|----------------------|------------------|-------|-----|
| | 6113 | | 6216 | | | | | | |
| | 6143 | 6114 | 6221 | 6231 | | | | | |
| 37 | 1 | 1 | 1 | 1 | 1134-1565-01 | Spacer | | | |
| 38 | 1 | 1 | 1 | 1 | 9997-0850-16 | Screw | | | |
| 39 | 1 | 1 | 1 | 1 | 9699-0056-02 | Flat washer | | | |
| 40 | 1 | 1 | 1 | 1 | 9739-0831-22 | Nut | | | |
| 41 | 1 | 1 | 1 | 1 | 1134-4020-01 | Plate-cruise control | | | |
| 42 | 2 | 2 | 2 | 2 | 9959-0816-16 | Screw | | | |
| 43 | 2 | 2 | 2 | 2 | 9739-0831-22 | Nut | | | |
| 44 | 1 | 1 | 1 | 1 | 1134-4021-01 | Rod-cruise control | | | |
| 45 | 2 | 2 | 2 | 2 | 9675-0012-02 | Locking washer | | | |
| 46 | 1 | 1 | 1 | 1 | 1134-2859-01 | Magneto assy | | | |
| 47 | 1 | 1 | 1 | 1 | 1134-2858-01 | .Spring | | | |
| 48 | 1 | 1 | 1 | 1 | 1134-5101-01 | Brake rod | | | |
| 49 | 1 | 1 | 1 | 1 | 1134-3808-01 | Knob | | | |
| 50 | 1 | 1 | 1 | 1 | 1131-1497-01 | Spring | | | |
| 51 | 1 | 1 | 1 | 1 | 1134-4002-01 | Brake rod attachment | | | |
| 52 | 3 | 3 | 3 | 3 | 9838-9516-12 | Screw | | | |
| 53 | | | 2 | 2 | 9747-0831-02 | Lock nut | | | |
| 54 | | | 1 | 1 | 1134-3910-01 | Cable holder | | | |
| 55 | | | 3 | 3 | 9959-0816-16 | Screw | L = 16 mm | | |
| 56 | | | 3 | 3 | 9739-0831-22 | Nut | | | |
| 57 | | | 1 | 1 | 1134-4944-01 | Stop plate | 13-6221, 13-6231 | | |



Section: PARK PRESIDENT-COMFORT- ROYAL-POWER HAND CONTROLS

| Pos. | Quantity | Spare part No | Description | Kit | Notes | New |
|------|----------|---------------|--------------|---------------------|-------|-----|
| | 6113 | | | | | |
| | -14 | | | | | |
| | -24 | 6113 | | | | |
| | 6143 | 6114 | -94 | | | |
| 1 | 1 | 1 | 1134-4156-01 | Panel bracket-inner | | |
| 2 | 2 | 2 | 9897-0820-16 | Screw | | |
| 3 | 2 | 2 | 9739-0831-22 | Nut | | |
| 5 | 1 | 1 | 1134-4065-01 | Control shaft | | |
| 6 | 1 | 1 | 1134-4079-01 | Spring | | |
| 7 | 1 | 1 | 1134-4080-03 | Control sleeve | | |
| 8 | 2 | 2 | 9959-0820-16 | Screw | | |
| 9 | 1 | 1 | 1134-4077-01 | Throttle control | | |
| 10 | 1 | 1 | 1134-4078-01 | Knob | | |
| 11 | 1 | 1 | 1134-0240-00 | Shoulder screw | | |
| 12 | 2 | 2 | 1134-4242-01 | Spacer washer | | |
| 13 | 1 | 1 | 9694-0001-00 | Washer | | |
| 14 | 1 | 1 | 9739-0831-22 | Nut | | |
| 15 | 1 | | 1134-4197-01 | Throttle cable | | |
| 15 | | 1 | 1134-4195-02 | Throttle cable | | |
| 16 | 1 | 1 | 9500-9991-00 | Cable clamp | | |
| 17 | 1 | 1 | 9943-0516-16 | Screw | | |
| 18 | 1 | 1 | 1134-4072-01 | Control lever | | |
| 19 | 1 | 1 | 1134-2551-01 | Knob | | |
| 20 | 1 | 1 | 1134-3573-03 | PTO cable | | |
| 21 | 1 | 1 | 1134-4217-01 | Switch bracket | | |
| 22 | 2 | 2 | 9849-8013-16 | Screw | | |
| 23 | 1 | 1 | 9400-0285-01 | Switch | | |
| 24 | 2 | 2 | 9840-7716-16 | Screw | | |
| 25 | 1 | 1 | 1134-4487-02 | Panel bracket | | |
| 26 | 2 | 2 | 9893-0616-16 | Screw | | |
| 27 | 1 | 1 | 1134-3986-01 | Front plate | | |
| 28 | 4 | 4 | 9893-0616-16 | Screw | | |
| 29 | | 2 | 1134-2871-03 | Relay | | |
| 30 | | 3 | 9997-0520-16 | Screw | | |
| 31 | | 3 | 9739-0531-22 | Nut | | |
| 32 | | 1 | 1134-3981-02 | Dashboard | | |
| 32 | 1 | | 1134-3981-05 | Dashboard | | |
| 33 | 4 | 4 | 9946-0525-16 | Screw | | |
| 34 | 1 | 1 | 1134-4154-01 | Cover | | |
| 35 | 6 | 4 | 1134-4129-01 | Cover | | |
| 36 | 1 | 1 | 1134-4093-01 | Ignition switch | | |
| 39 | 1 | 1 | 1134-4749-01 | Nut | | |
| 40 | | 1 | 1134-2872-03 | Choke control | | |
| 40A | | 1 | 1134-4338-01 | .Control knob | | |

Section: PARK PRESIDENT-COMFORT- ROYAL-POWER HAND CONTROLS

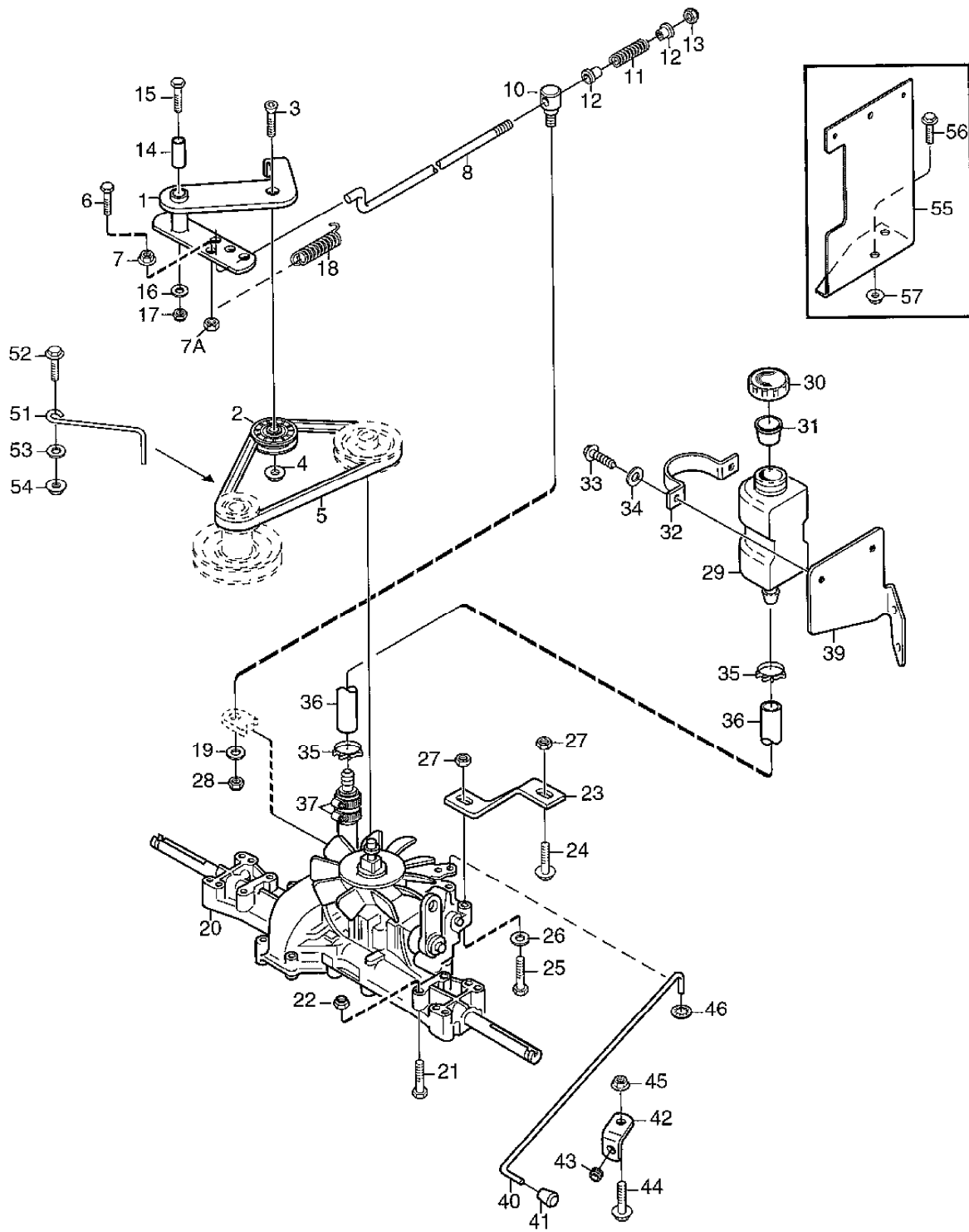
| Pos. | Quantity | | Spare part No | Description | Kit | Notes | New |
|------|----------|---|---------------|----------------------|-----|---------------------|-----|
| | | | 6113 | | | | |
| | | | -14 | | | | |
| | | | -24 | 6113 | | | |
| | | | 6143 | 6114 -94 | | | |
| 41 | 2 | 2 | 9699-0028-02 | Flat washer | | | |
| 42 | 2 | | 9400-0282-01 | Switch w.diode | | | |
| 43 | 1 | | 9400-0280-02 | Cover-cruise control | | | |
| 44 | 1 | 1 | 1134-4179-02 | Hour meter | | | |
| 45 | 1 | | 1134-4100-01 | Plug | | | |
| 49 | 1 | | 9400-0280-03 | Cover-height adjust | | | |
| 51 | 1 | | 1134-2871-01 | Relay | | | |
| 99 | 1 | | 9400-0290-01 | Tool for cover | | Tillbehör/Accessory | |

Section: PARK PRESIDENT-COMFORT- ROYAL-POWER TRANSMISSION

| Pos. | Quantity | Spare part No | Description | Kit | Notes | New | |
|------|----------|---------------|-------------|------|--------------|--------------------|----------------|
| | 6113 | | 6113 | | | | |
| | -14 | 6113 | -24 | | | | |
| | -44 | 6114 | -94 | 6143 | | | |
| 1 | 1 | 1 | 1 | 1 | 1134-4000-02 | Tension arm | |
| 2 | 1 | 1 | 1 | 1 | 1134-3459-01 | Tension roller | |
| 3 | 1 | 1 | 1 | 1 | 9924-1035-16 | Screw | |
| 4 | 1 | 1 | 1 | 1 | 9799-1031-02 | Nut | |
| 5 | 1 | 1 | 1 | 1 | 1134-9058-01 | V-belt | = 9585-0091-01 |
| 6 | 1 | 1 | 1 | 1 | 9997-0625-16 | Screw | |
| 7 | 1 | 1 | 1 | 1 | 9739-0631-22 | Nut | |
| 7A | 1 | 1 | 1 | 1 | 9747-0631-02 | Lock nut | |
| 8 | 1 | 1 | 1 | 1 | 1134-3377-02 | Control rod | |
| 10 | 1 | 1 | 1 | 1 | 1134-4171-01 | Pivot pin | |
| 11 | 1 | 1 | 1 | 1 | 1134-4183-01 | Compression spring | |
| 12 | 2 | 2 | 2 | 2 | 1134-3456-01 | Bushing | |
| 13 | 1 | 1 | 1 | 1 | 9747-0631-02 | Lock nut | |
| 14 | 1 | 1 | 1 | 1 | 1134-1565-08 | Spacer | |
| 15 | 1 | 1 | 1 | 1 | 9997-0870-16 | Screw | |
| 16 | 1 | 1 | 1 | 1 | 9699-0056-02 | Flat washer | |
| 17 | 1 | 1 | 1 | 1 | 9747-0831-02 | Lock nut | |
| 18 | 1 | 1 | 1 | 1 | 1134-1949-01 | Spring | |
| 19 | 1 | 1 | 1 | 1 | 9699-0060-02 | Flat washer | |
| 20 | 1 | 1 | 1 | 1 | 1134-4848-01 | Transaxle assy | Kanzaki K46G |
| 21 | 4 | 4 | 4 | 4 | 9997-0865-12 | Screw | |
| 22 | 4 | 4 | 4 | 4 | 9747-0831-02 | Lock nut | |
| 23 | 1 | 1 | 1 | 1 | 1134-3913-01 | Strut | |
| 24 | 1 | 1 | 1 | 1 | 9959-0825-16 | Screw | |
| 25 | 1 | 1 | 1 | 1 | 9997-0845-12 | Screw | |
| 26 | 1 | 1 | 1 | 1 | 9699-0028-02 | Flat washer | |
| 27 | 2 | 2 | 2 | 2 | 9747-0831-02 | Lock nut | |
| 28 | 1 | 1 | 1 | 1 | 9747-0631-02 | Lock nut | |
| 29 | 1 | 1 | 1 | 1 | 1134-2765-02 | Oil tank | |
| 30 | 1 | 1 | 1 | 1 | 1134-2777-02 | Filler cap | |
| 31 | 1 | 1 | 1 | 1 | 1134-3734-01 | Vent plug | |
| 32 | 1 | 1 | 1 | 1 | 1134-2778-01 | Retainer strap | |
| 33 | 2 | | 1 | | 9842-0001-16 | Screw | |
| 33 | | | | 2 | 9849-8006-16 | Screw | |
| 33 | | 2 | | | 9840-8009-16 | Screw | |
| 34 | 2 | | 1 | | 9699-0099-02 | Washer | |
| 35 | 2 | 2 | 2 | 2 | 9578-0023-04 | Hose clamp | 15 x 8 |
| 36 | 1 | | | | 1134-2779-01 | Tube | L = 420 mm |
| 36 | | | 1 | | 1134-2779-06 | Tube | L = 230 mm |
| 36 | | 1 | | | 1134-2779-04 | Tube | L = 360 mm |

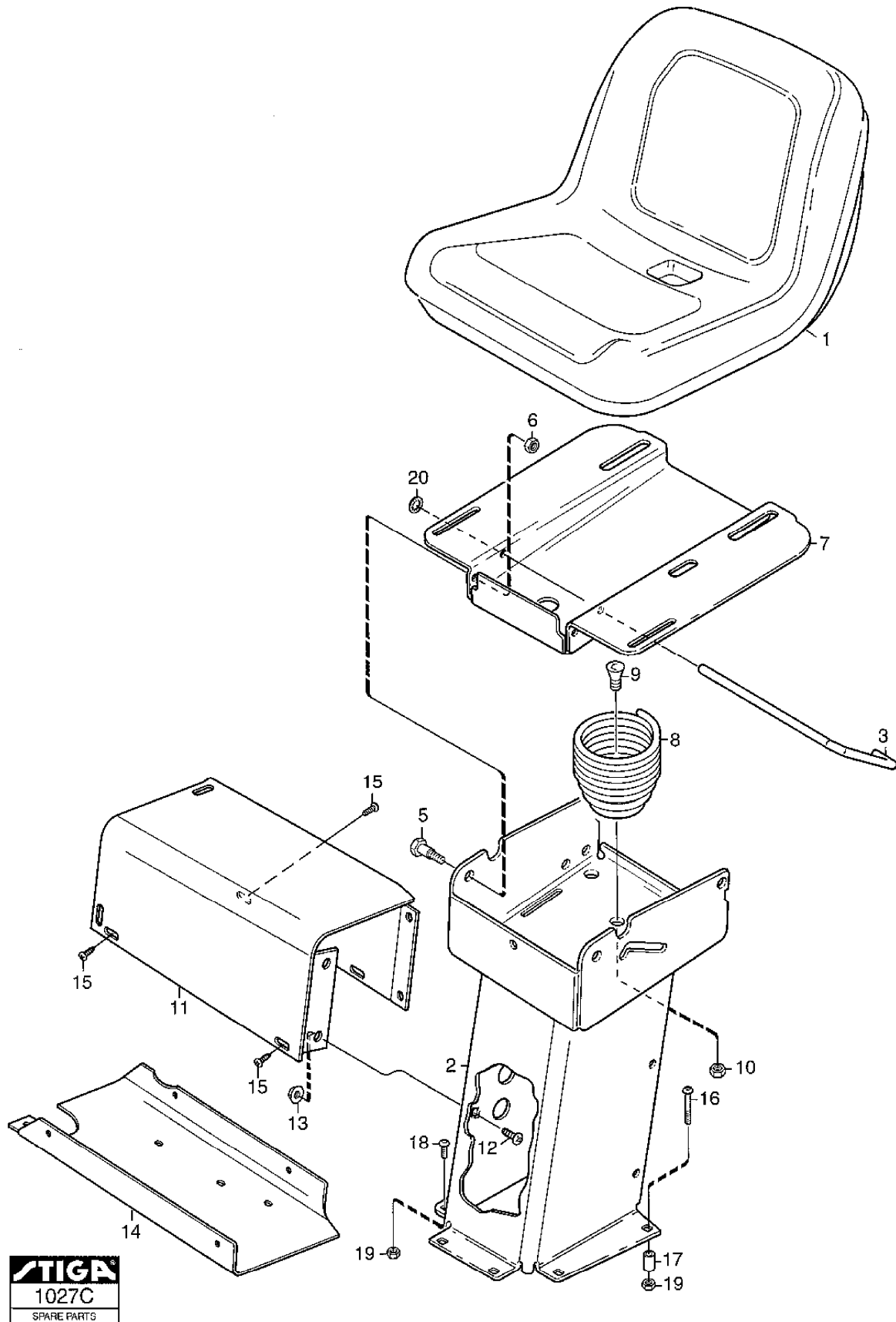
Section: PARK PRESIDENT-COMFORT- ROYAL-POWER TRANSMISSION

| Pos. | Quantity | Spare part No | | | Description | Kit | Notes | New |
|------|----------|---------------|------|--------------|----------------|-----|------------|-----|
| | 6113 | | | 6113 | | | | |
| | -14 | | 6113 | -24 | | | | |
| | -44 | 6114 | -94 | 6143 | | | | |
| 36 | 1 | | | 1134-2779-05 | Tube | | L = 450 mm | |
| 39 | 1 | | | 1134-4979-01 | Bracket | | | |
| 40 | 1 | 1 | 1 | 1134-4015-01 | Pull rod | | | |
| 41 | 1 | 1 | 1 | 1134-4014-01 | Plastic button | | | |
| 42 | 1 | 1 | 1 | 1134-4713-01 | Bracket | | | |
| 43 | 1 | 1 | 1 | 1134-2790-01 | Rubber grommet | | | |
| 44 | 1 | 1 | 1 | 9959-0816-16 | Screw | | | |
| 45 | 1 | 1 | 1 | 9739-0831-22 | Nut | | | |
| 46 | 1 | 1 | 1 | 9675-0009-02 | Starlock | | | |
| 51 | 1 | 1 | 1 | 1134-3289-02 | Belt guide | | | |
| 52 | 1 | 1 | 1 | 9959-0820-16 | Screw | | | |
| 53 | 1 | 1 | 1 | 9699-0056-02 | Flat washer | | | |
| 54 | 1 | 1 | 1 | 9739-0831-22 | Nut | | | |
| 55 | | | | 1134-5093-01 | Holder | | | |
| 56 | | | 2 | 9959-0816-16 | Screw | | | |
| 57 | | | 2 | 9739-0831-22 | Nut | | | |



Section: PARK SENATOR-PRESIDENT- COMFORT-POWER SEAT

| Pos. | Quantity | Spare part No | Description | Kit | Notes | New |
|------|----------|---------------|-----------------------|-----|-----------|-----|
| | 6112 | | | | | |
| | 6113 | | | | | |
| | 6143 | | | | | |
| 1 | 1 | 1134-4223-01 | Seat | | | |
| 2 | 1 | 1134-4211-01 | Seat bracket | | | |
| 3 | 1 | 1134-5179-01 | Catch | | | |
| 5 | 2 | 1134-0240-00 | Shoulder screw | | | |
| 6 | 2 | 9747-0831-02 | Lock nut | | | |
| 7 | 1 | 1134-4628-05 | Seat plate | | | |
| 8 | 1 | 1134-4256-01 | Seat spring | | | |
| 9 | 1 | 9924-1230-19 | Screw | | | |
| 10 | 1 | 9747-1231-02 | Lock nut | | | |
| 11 | 1 | 1134-3990-01 | Attachment-side panel | | | |
| 12 | 2 | 9897-0820-16 | Screw | | | |
| 13 | 2 | 9739-0831-22 | Nut | | | |
| 14 | 1 | 1134-4130-01 | Cover-lower | | | |
| 15 | 4 | 9840-8009-16 | Screw | | | |
| 16 | 2 | 9897-0880-12 | Screw | | L = 80 mm | |
| 17 | 2 | 1134-1565-08 | Spacer | | | |
| 18 | 4 | 9897-0820-16 | Screw | | L = 20 mm | |
| 19 | 6 | 9747-0831-02 | Lock nut | | | |
| 20 | 1 | 9675-0012-02 | Locking washer | | | |

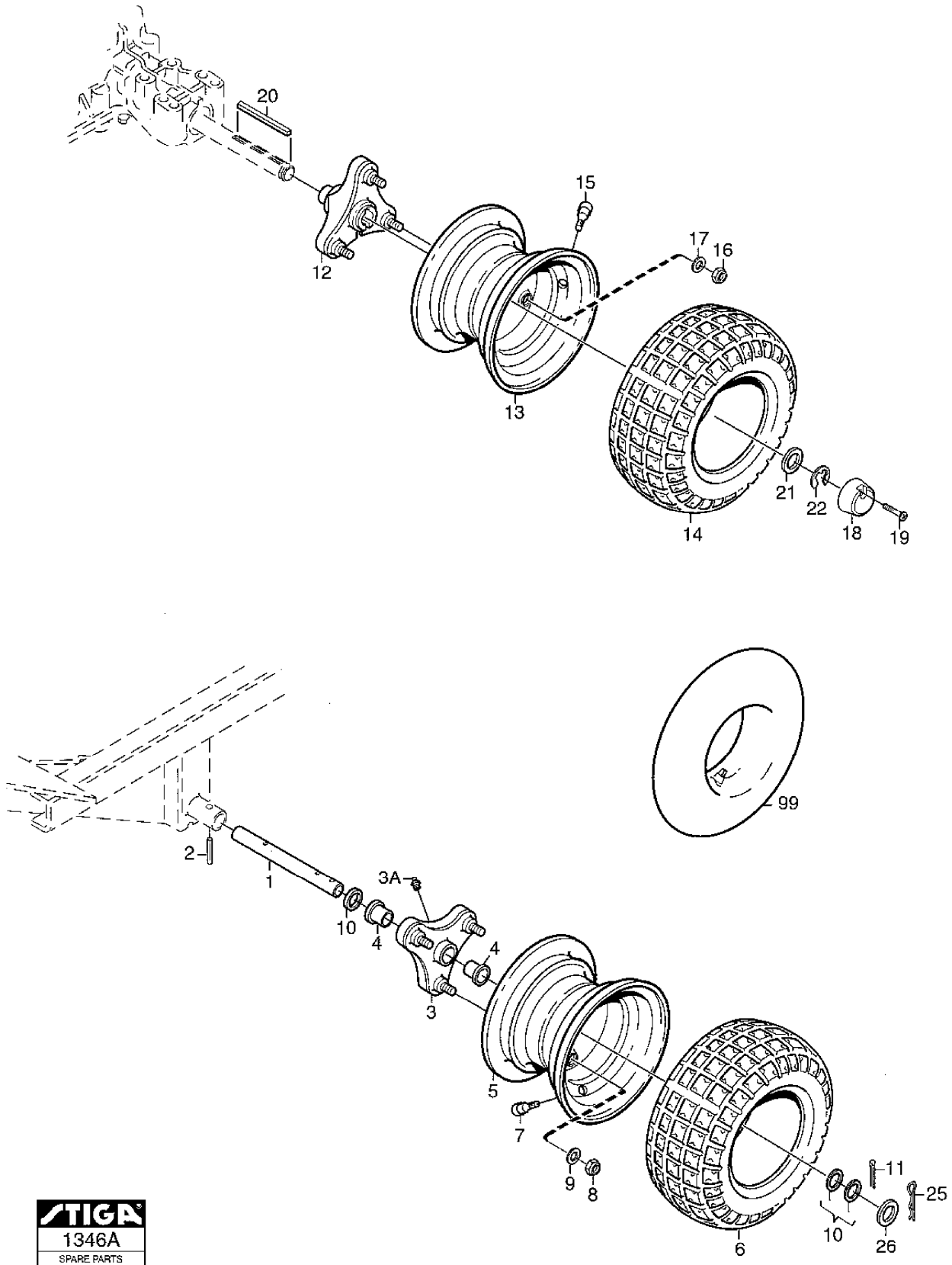


Section: PARK SENATOR-PRESIDENT- COMFORT-POWER-ROYAL STEERING

| Pos. | Quantity | | Spare part No | Description | Kit | Notes | New |
|------|----------|------|---------------|--------------|-----------------------|--------------------|-----|
| | 6113 | | 6113 | | | | |
| | -14 | | 6114 | | | | |
| | -24 | 6114 | -44 | | | | |
| 6112 | -94 | -14 | 6143 | | | | |
| 1 | 1 | 1 | 1 | 1134-2820-06 | Chain | 83 länk | |
| 2 | 1 | 1 | 1 | 1134-2817-01 | Steering cable-LH | | |
| 3 | 1 | 1 | 1 | 1134-2817-02 | Steering cable-RH | | |
| 4 | 2 | 2 | 2 | 1134-2824-01 | Chain lock | | |
| 5 | 2 | 2 | 2 | 1134-3817-01 | Compression spring | | |
| 6 | 2 | 2 | 2 | 9699-0090-02 | Flat washer | | |
| 7 | 2 | 2 | 2 | 9747-0831-02 | Lock nut | | |
| 8 | 4 | 4 | 4 | 1134-2816-01 | Sprocket | | |
| 9 | 4 | 4 | 4 | 1134-0041-02 | Idler wheel bush | | |
| 10 | 4 | 4 | 4 | 9699-0035-02 | Flat washer | | |
| 11 | 2 | 2 | 2 | 9997-1050-16 | Screw | | |
| 12 | 2 | 2 | 2 | 9897-1040-12 | Screw | | |
| 13 | 4 | 4 | 4 | 9739-1031-22 | Nut | | |
| 14 | 2 | 2 | 2 | 1134-9025-01 | Steering pulley-kit | Sats 2 st/kit of 2 | |
| 15 | 2 | 2 | 2 | 1134-0041-01 | Bushing | | |
| 16 | 2 | 2 | 2 | 1134-3022-01 | Cable holder | | |
| 17 | 2 | 2 | 2 | 9997-1030-16 | Screw | | |
| 18 | 2 | 2 | 2 | 9739-1031-22 | Nut | | |
| 19 | 1 | 1 | 1 | 1134-4120-03 | Steering console | | |
| 20 | 4 | 4 | 4 | 9897-0820-16 | Screw | | |
| 21 | 4 | 4 | 4 | 9739-0831-22 | Nut | | |
| 22 | 1 | 1 | 1 | 1134-1305-03 | Steering column-lower | | |
| 23 | 2 | 2 | 2 | 1134-1901-01 | Bearing | | |
| 24 | 2 | 2 | 2 | 9893-0616-16 | Screw | | |
| 25 | 1 | 1 | 1 | 1134-2821-01 | Steering rod | | |
| 26 | 1 | 1 | 1 | 1134-2837-01 | Spacer | | |
| 27 | 1 | | | 1134-1966-03 | Steering wheel | | |
| 30 | 1 | 1 | | 1134-5173-01 | Steering wheel | | |
| 31 | 1 | 1 | | 1134-5216-01 | Steering tube-inner | | |
| 32 | 1 | 1 | | 1134-5177-01 | .Slide | | |
| 33 | 1 | 1 | | 9710-0631-12 | .Square nut | | |
| 34 | 1 | 1 | | 1134-4481-02 | Wing nut | Alt. 2 | |
| 35 | 1 | 1 | | 9997-0630-12 | Screw | Alt. 2 | |
| 36 | 1 | 1 | | 9405-0211-70 | Locking knob | Alt. 1 | |
| 40 | | | 1 | 1134-4155-01 | Steering wheel | | |
| 41 | | | 1 | 1134-4218-01 | Steering tube-inner | | |
| 42 | | | 1 | 1134-4138-01 | .Catch | | |

Section: PARK SENATOR-PRESIDENT- COMFORT-POWER-ROYAL WHEELS 16"

| Pos. | Quantity | Spare part No | Description | Kit | Notes | New |
|------|----------|---------------|-------------------|-----|----------------------|-----|
| | 6112 | | | | | |
| | 6113 | | | | | |
| | 6143 | | | | | |
| | 6114 | | | | | |
| 1 | 2 | 1134-0075-01 | Front axle | | | |
| 2 | 2 | 9595-0258-00 | Locating pin | | | |
| 3 | 2 | 1134-4844-05 | Wheel hub assy | | | |
| 3A | 1 | 9501-0500-00 | .Grease joint | | | |
| 4 | 1 | 1134-9026-01 | .Bearing bush kit | | Sats 4 st/kit of 4 | |
| 5 | 2 | 1134-4558-01 | Rim | | | |
| 6 | 2 | 9545-0116-00 | Tyre | | 16 x 7.50 - 8 | |
| 7 | 2 | 9545-0500-00 | Valve | | | |
| 8 | 6 | 9747-1031-02 | Lock nut | | | |
| 9 | 6 | 9699-0035-02 | Flat washer | | | |
| 10 | 8 | 1134-0341-01 | Washer | | | |
| 11 | 2 | 9599-0080-02 | Cotter pin | | | |
| 12 | 2 | 1134-4844-02 | Wheel hub | | | |
| 13 | 2 | 1134-4558-01 | Rim | | | |
| 14 | 2 | 9545-0116-00 | Tyre | | 16 x 7.50 - 8 | |
| 15 | 2 | 9545-0500-00 | Valve | | | |
| 16 | 6 | 9747-1031-02 | Lock nut | | | |
| 17 | 6 | 9699-0035-02 | Flat washer | | | |
| 18 | 2 | 1134-4796-01 | Hub cap | | | |
| 19 | 2 | 9947-0540-19 | Screw | | | |
| 20 | 2 | 1134-2471-01 | Key | | | |
| 21 | 2 | 9699-0042-02 | Flat washer | | | |
| 22 | 2 | 9653-0001-04 | Lock ring | | | |
| 25 | 2 | 9598-0003-02 | Spring pin | | | |
| 26 | 2 | 9699-0042-02 | Flat washer | | | |
| 99 | | 9545-0203-00 | Inner tube | | Reservdel/spare part | |



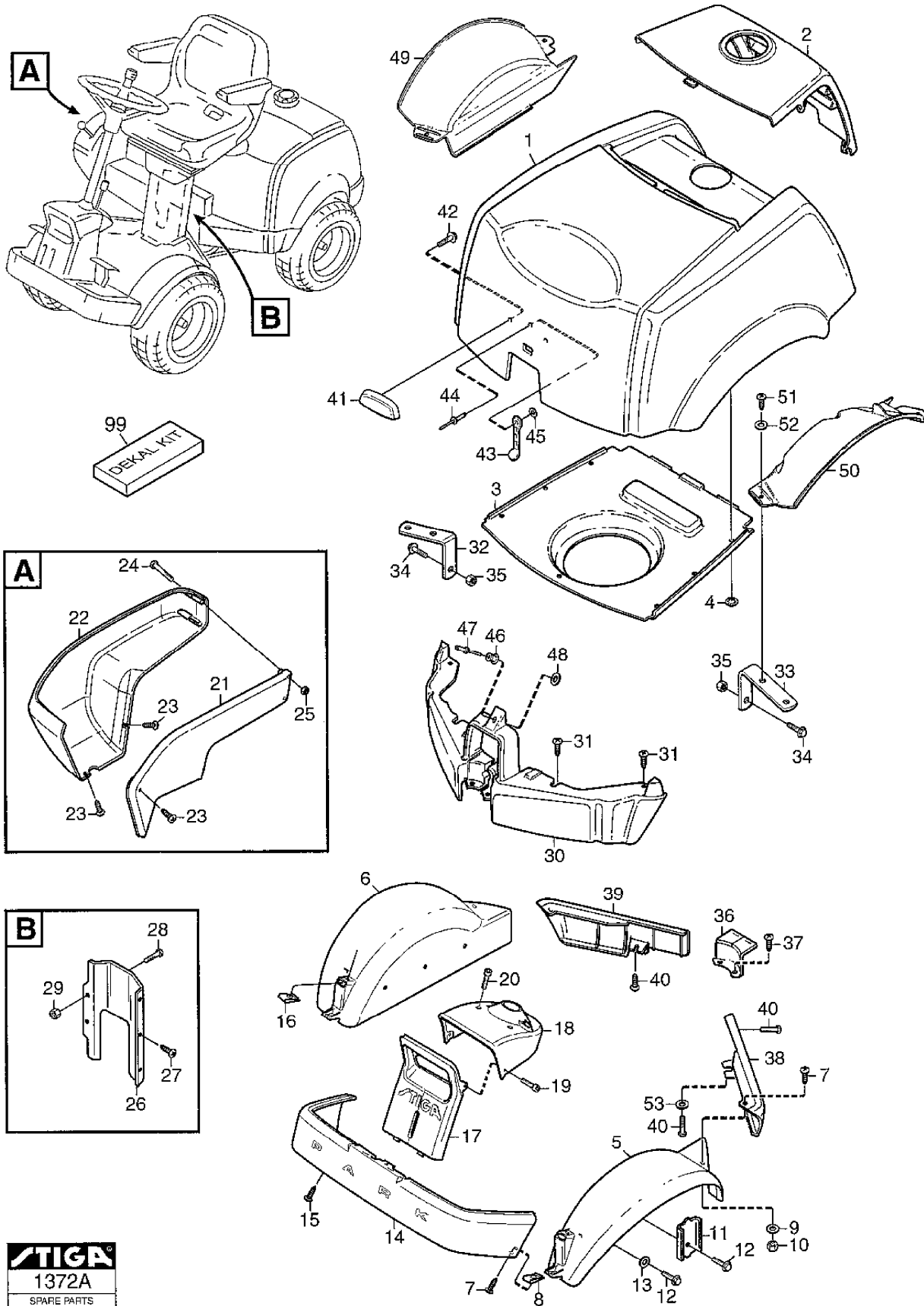
Section: PARK SENATOR-PRESIDENT- COMFORT-ROYAL-POWER BODY WORK

| Pos. | Quantity | Spare part No | Description | Kit | Notes | New |
|------|----------|---------------|--------------|-----------------------|-------|-----|
| | 6112 | | | | | |
| | 6113 | 6113 | | | | |
| | 6143 | 6114 -94 | | | | |
| 1 | 1 | 1 | 1134-4797-01 | Engine hood | | |
| 2 | 1 | 1 | 1134-3971-02 | Engine cover-black | | |
| 3 | 1 | | 1134-3978-01 | Air duct plate-deep | | |
| 3 | | 1 | 1134-3978-02 | Air duct plate-shallo | | |
| 4 | 7 | 7 | 9675-0008-02 | Locking washer | | |
| 5 | 1 | 1 | 1134-3943-01 | Mud guard-LH, yell. | | |
| 6 | 1 | 1 | 1134-3943-02 | Mud guard-RH, yell. | | |
| 7 | 4 | 4 | 9893-0616-16 | Screw | | |
| 8 | 2 | 2 | 1134-4176-01 | Clips | | |
| 9 | 2 | 2 | 9699-0025-02 | Washer | | |
| 10 | 2 | 2 | 9747-0631-02 | Lock nut | | |
| 11 | 2 | 2 | 1134-0225-00 | Support plate | | |
| 12 | 6 | 6 | 9945-0816-16 | Screw | | |
| 13 | 4 | 4 | 9699-0056-02 | Flat washer | | |
| 14 | 1 | 1 | 1134-3944-02 | Bumper-yellow | | |
| 15 | 6 | 6 | 9893-0616-16 | Screw | | |
| 16 | 2 | 2 | 1134-4176-01 | Clips | | |
| 17 | 1 | 1 | 1134-4216-03 | Front plate-black | | |
| 18 | 1 | 1 | 1134-3984-02 | Front plate upper-bl. | | |
| 19 | 2 | 2 | 9840-8009-16 | Screw | | |
| 20 | 2 | 2 | 9946-0525-16 | Screw | | |
| 21 | 1 | 1 | 1134-4360-01 | Cover-inner | | |
| 22 | 1 | 1 | 1134-3979-01 | Cover-outer | | |
| 23 | 5 | 5 | 9946-0525-16 | Screw | | |
| 24 | 2 | 2 | 9950-0570-12 | Screw | | |
| 25 | 2 | 2 | 9747-0531-02 | Nut | | |
| 26 | 1 | 1 | 1134-4152-01 | Cover | | |
| 27 | 3 | 3 | 9893-0616-16 | Screw | | |
| 28 | 2 | 2 | 9893-0616-16 | Screw | | |
| 29 | 2 | 2 | 9739-0631-22 | Nut | | |
| 30 | 1 | 1 | 1134-4798-02 | Spoiler-black | | |
| 31 | 4 | 4 | 9893-0616-16 | Screw | | |
| 32 | 1 | 1 | 1134-4012-03 | Support-RH | | |
| 33 | 1 | 1 | 1134-4012-04 | Support-LH | | |
| 34 | 2 | 2 | 9959-0816-16 | Screw | | |
| 35 | 2 | 2 | 9739-0831-22 | Nut | | |
| 36 | 1 | 1 | 1134-3985-01 | Cover | | |
| 37 | 2 | 2 | 9893-0616-16 | Screw | | |
| 38 | | 1 | 1134-3970-06 | Moulding-LH, black | | |
| 39 | | 1 | 1134-3970-04 | Moulding-RH, black | | |

L = 16 mm

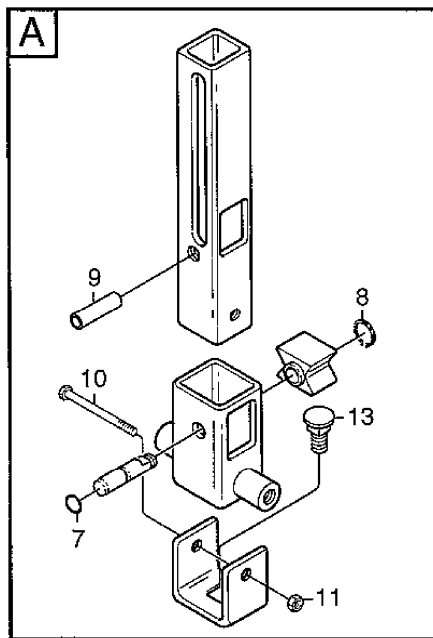
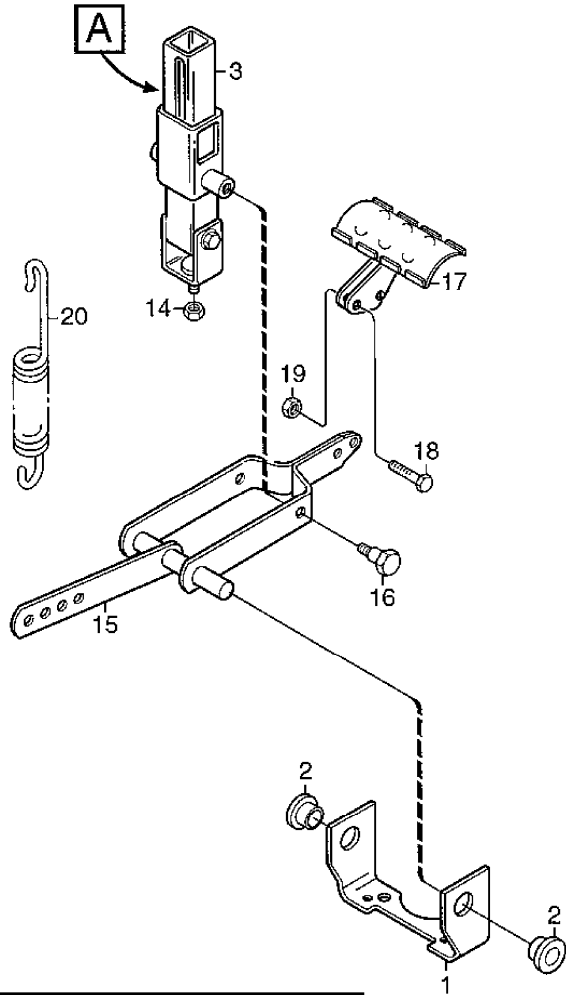
Section: PARK SENATOR-PRESIDENT- COMFORT-ROYAL-POWER BODY WORK

| Pos. | Quantity | Spare part No | Description | Kit | Notes | New |
|------|----------|---------------|--------------------|-----|--------------------|-----|
| | 6112 | | | | | |
| | 6113 | 6113 | | | | |
| | 6143 | 6114 -94 | | | | |
| 40 | 3 | 9893-0616-16 | Screw | | | |
| 41 | 1 | 1134-4799-02 | Handle | | | |
| 42 | 2 | 9838-9516-12 | Screw | | | |
| 43 | 1 | 1134-9028-01 | Rubber strap kit | | Sats 3 st/kit of 3 | |
| 44 | 1 | 9632-0516-00 | Pop rivet | | | |
| 45 | 1 | 9699-0120-02 | Washer | | | |
| 46 | 1 | 9405-0029-00 | Knob | | | |
| 47 | 1 | 9632-0513-00 | Pop rivet | | | |
| 48 | 1 | 9699-0120-02 | Washer | | | |
| 49 | 1 | 1134-4800-01 | Inner mud guard-RH | | | |
| 50 | 1 | 1134-4801-01 | Inner mud guard-LH | | | |
| 51 | 4 | 9893-0616-16 | Screw | | | |
| 52 | 4 | 9699-0060-02 | Flat washer | | | |
| 53 | 1 | 9699-0060-02 | Flat washer | | | |
| 99 | | 1134-4593-09 | Decal kit | | Power | |
| 99 | 1 | 1134-4593-01 | Decal kit | | Senator | |
| 99 | 1 | 1134-4593-02 | Decal kit | | President | |
| 99 | 1 | 1134-4593-03 | Decal kit | | Royal | |
| 99 | 1 | 1134-4593-07 | Decal kit | | Comfort | |



Section: PARK SENATOR-PRESIDENT- COMFORT-ROYAL-PRO 16 PEDAL LIFT

| Pos. | Quantity | Spare part No | Description | Kit | Notes | New |
|------|----------|---------------|--------------|-----------------|-------|-----|
| | | 6112 | | | | |
| | | 6113 | | | | |
| | | 6114 | | | | |
| | | 6216 6143 | | | | |
| 1 | 1 | 1 | 1134-4117-01 | Bracket | | |
| 2 | 2 | 2 | 1134-2684-01 | Bearing | | |
| 3 | 1 | 1 | 1134-4945-01 | Lift catch assy | | |
| 7 | 1 | 1 | 9404-0027-01 | .O-ring | | |
| 8 | 1 | 1 | 9650-0039-04 | .Lock ring | | |
| 9 | 1 | 1 | 9595-0276-01 | .Locating pin | | |
| 10 | 1 | 1 | 9997-0640-12 | .Screw | | |
| 11 | 1 | 1 | 9747-0631-02 | .Lock nut | | |
| 13 | 1 | 1 | 9897-0820-16 | .Screw | | |
| 14 | 1 | 1 | 9747-0831-02 | Lock nut | | |
| 15 | 1 | 1 | 1134-4860-01 | Lift fork | | |
| 16 | 2 | 2 | 1134-0240-00 | Shoulder screw | | |
| 17 | 1 | 1 | 1134-4938-01 | Lift pedal | | |
| 18 | 2 | 2 | 9997-0625-16 | Screw | | |
| 19 | 2 | 2 | 9739-0631-22 | Nut | | |
| 20 | 1 | 1 | 4231-0013-00 | Spring | | |



Section: PARK SENATOR-PRESIDENT- COMFORT-ROYAL-PRO 16 POWER TAKE-OFF

| Pos. | Quantity | Spare part No | Description | Kit | Notes | New |
|------|----------|---------------|--------------|-------------------|----------------|-----|
| | | 6112 | | | | |
| | | 6113 | | | | |
| | | 6143 | | | | |
| | | 6114 6216 | | | | |
| 1 | 1 | 1 | 1134-0051-13 | Spacer | | |
| 2 | 1 | 1 | 1134-5109-01 | Tension wheel arm | | |
| 3 | 1 | 1 | 1134-1770-01 | Tension roller | | |
| 4 | 1 | 1 | 1134-1888-04 | Spacer | | |
| 5 | 1 | 1 | 1134-5111-01 | Spring | | |
| 6 | 1 | 1 | 9699-0056-02 | Flat washer | | |
| 7 | 1 | 1 | 9739-0831-22 | Nut | | |
| 8 | 1 | 1 | 9997-0855-12 | Screw | | |
| 9 | 1 | 1 | 9699-0104-02 | Washer | | |
| 10 | 1 | 1 | 1134-1769-02 | Belt pulley assy | | |
| 11 | 1 | 1 | 1134-0051-09 | .Spacer | | |
| 12 | 2 | 2 | 9549-0019-00 | .Ball bearing | | |
| 13 | 1 | 1 | 1134-5112-01 | Spring attachment | | |
| 14 | 2 | 2 | 9945-0816-16 | Screw | | |
| 15 | 1 | 1 | 1134-5110-01 | Hook | | |
| 16 | 2 | 2 | 9893-0616-16 | Screw | | |
| 18 | 1 | 1 | 1134-2018-02 | Tension arm | | |
| 19 | 1 | 1 | 1134-9027-01 | Tension roller | | |
| 20 | 1 | 1 | 1134-9071-01 | V-belt | = 9585-0129-01 | |
| 21 | 1 | 1 | 9997-1030-16 | Screw | | |
| 22 | 1 | 1 | 9799-1031-02 | Nut | | |
| 23 | 1 | 1 | 1134-4111-01 | Brake arm | | |
| 24 | 1 | 1 | 1134-4164-01 | Brake pad | | |
| 25 | 1 | 1 | 9897-0825-16 | Screw | | |
| 26 | 1 | 1 | 9747-0831-02 | Lock nut | | |
| 27 | 1 | 1 | 1134-4162-01 | Brake rod | | |
| 28 | 1 | 1 | 9675-0008-02 | Locking washer | | |
| 29 | 1 | 1 | 1134-4170-01 | Nipple | | |
| 30 | 1 | 1 | 9699-0025-02 | Washer | | |
| 31 | 1 | 1 | 9747-0631-02 | Lock nut | | |
| 32 | 1 | 1 | 4231-0013-00 | Spring | | |
| 33 | 1 | 1 | 1134-4231-01 | Spring | | |
| 34 | 1 | 1 | 1134-1565-10 | Spacer | | |
| 35 | 1 | 1 | 9997-0865-12 | Screw | | |
| 36 | 1 | 1 | 9699-0056-02 | Flat washer | | |
| 37 | 1 | 1 | 9739-0831-22 | Nut | | |
| 38 | 1 | 1 | 1134-4163-01 | Shoulder bolt | | |
| 39 | 1 | 1 | 9747-1031-02 | Lock nut | | |
| 40 | 1 | 1 | 1134-3958-01 | Belt guide | | |
| 41 | 2 | 2 | 9893-0616-16 | Screw | | |

Section: PARK SENATOR-PRESIDENT- COMFORT-ROYAL-PRO 16 POWER TAKE-OFF

| Pos. | Quantity | Spare part No | Description | Kit | Notes | New |
|------|----------|---------------|--------------|--------------|-------|-----|
| | | 6112 | | | | |
| | | 6113 | | | | |
| | | 6143 | | | | |
| | | 6114 | 6216 | | | |
| 42 | 1 | 1 | 1134-0041-03 | Collar | | |
| 43 | 1 | 1 | 9997-1070-12 | Screw | | |
| 44 | 1 | 1 | 9739-1031-22 | Nut | | |
| 45 | 1 | 1 | 1134-3654-01 | Finger guard | | |
| 46 | 2 | 2 | 9959-0612-16 | Screw | | |
| 47 | 2 | 2 | 9739-0631-22 | Nut | | |
| 48 | 1 | 1 | 9699-0090-02 | Flat washer | | |
| 49 | 2 | 2 | 9699-0035-02 | Flat washer | | |
| 50 | 1 | 1 | 9699-0035-02 | Flat washer | | |

