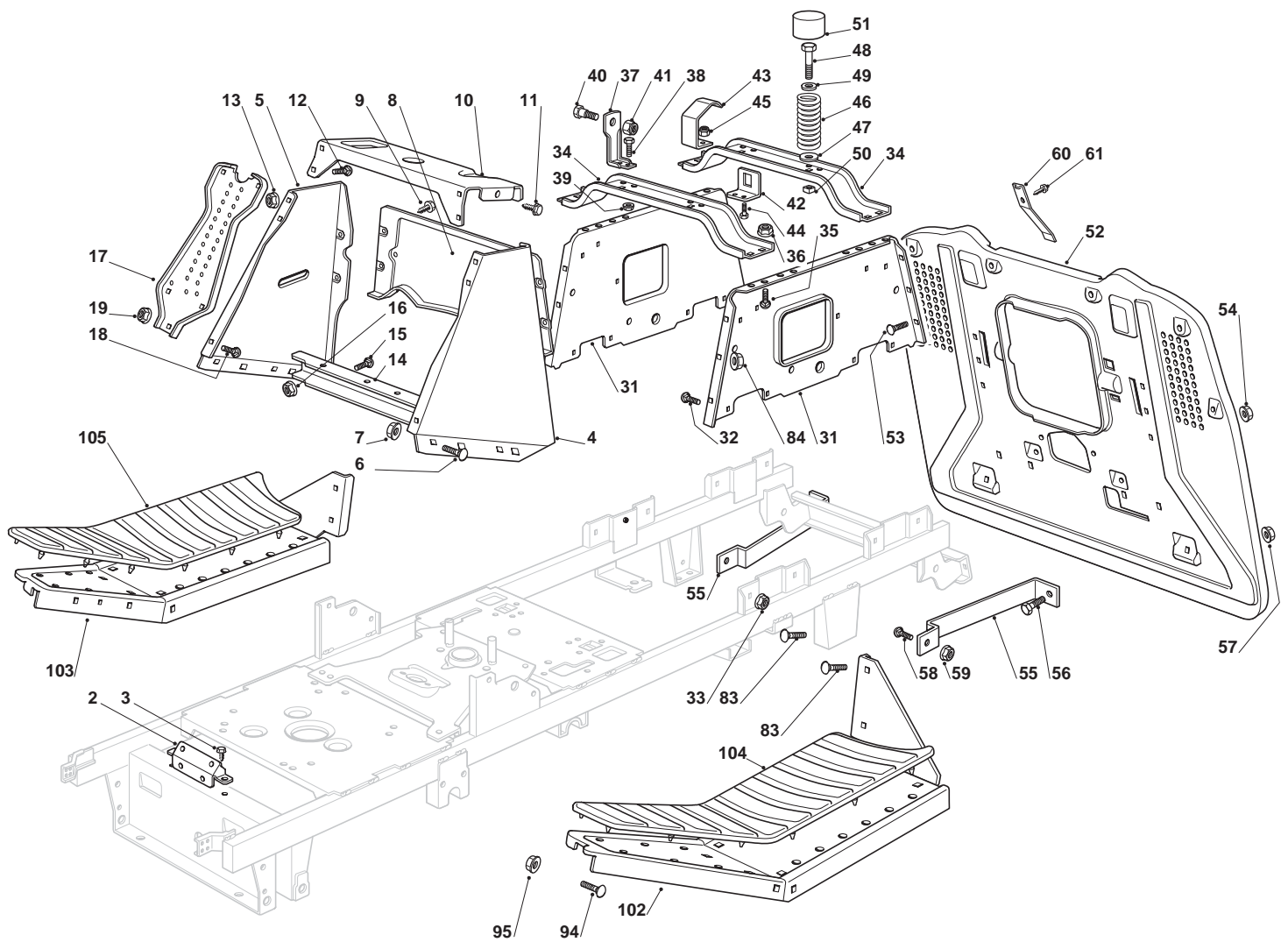


# **Genuine Spare Parts**

---



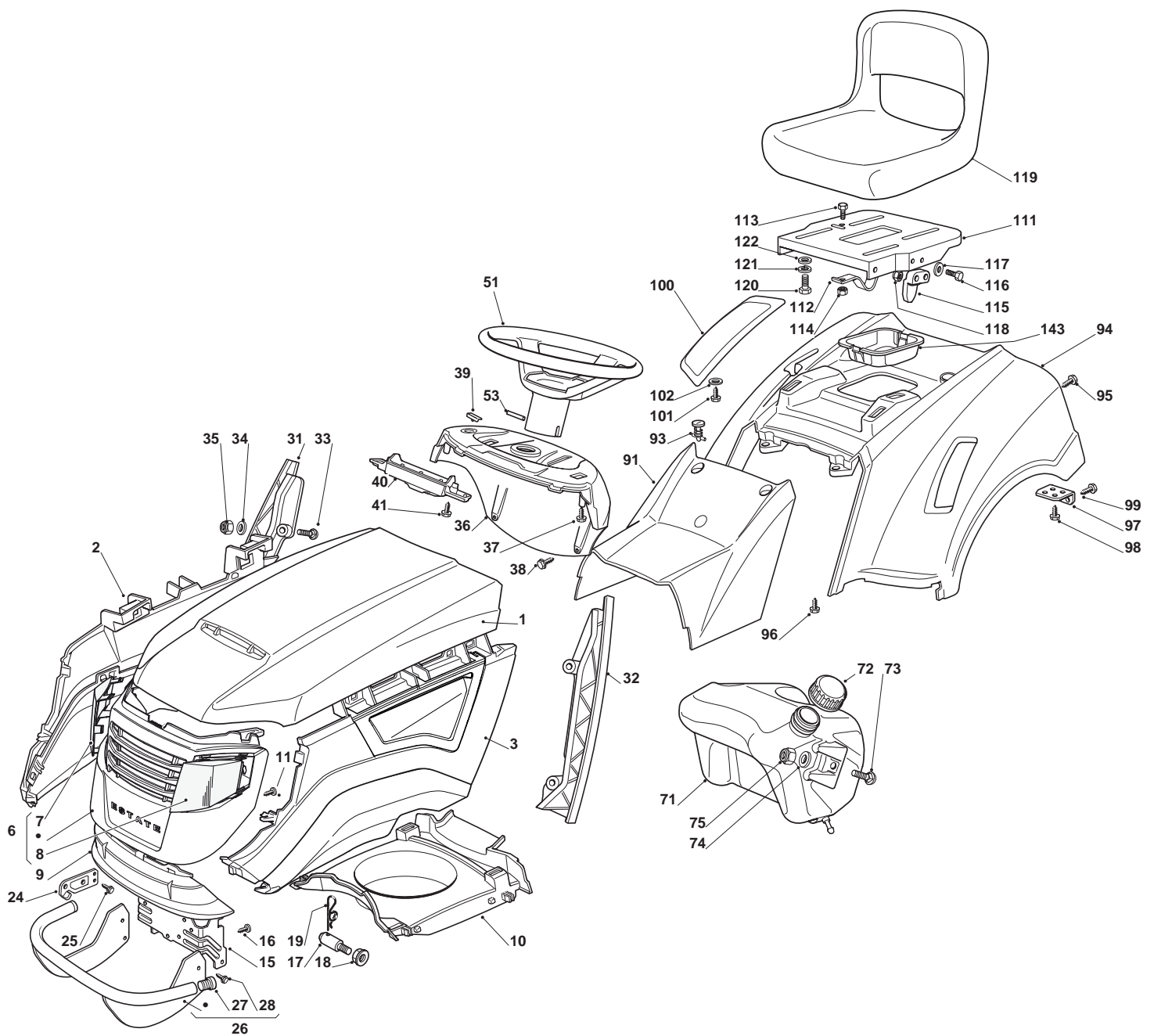
**Estate Senator Pro HST 13 -  
Model Year 2010**





## Estate Senator Pro HST 13 - Model Year 2010

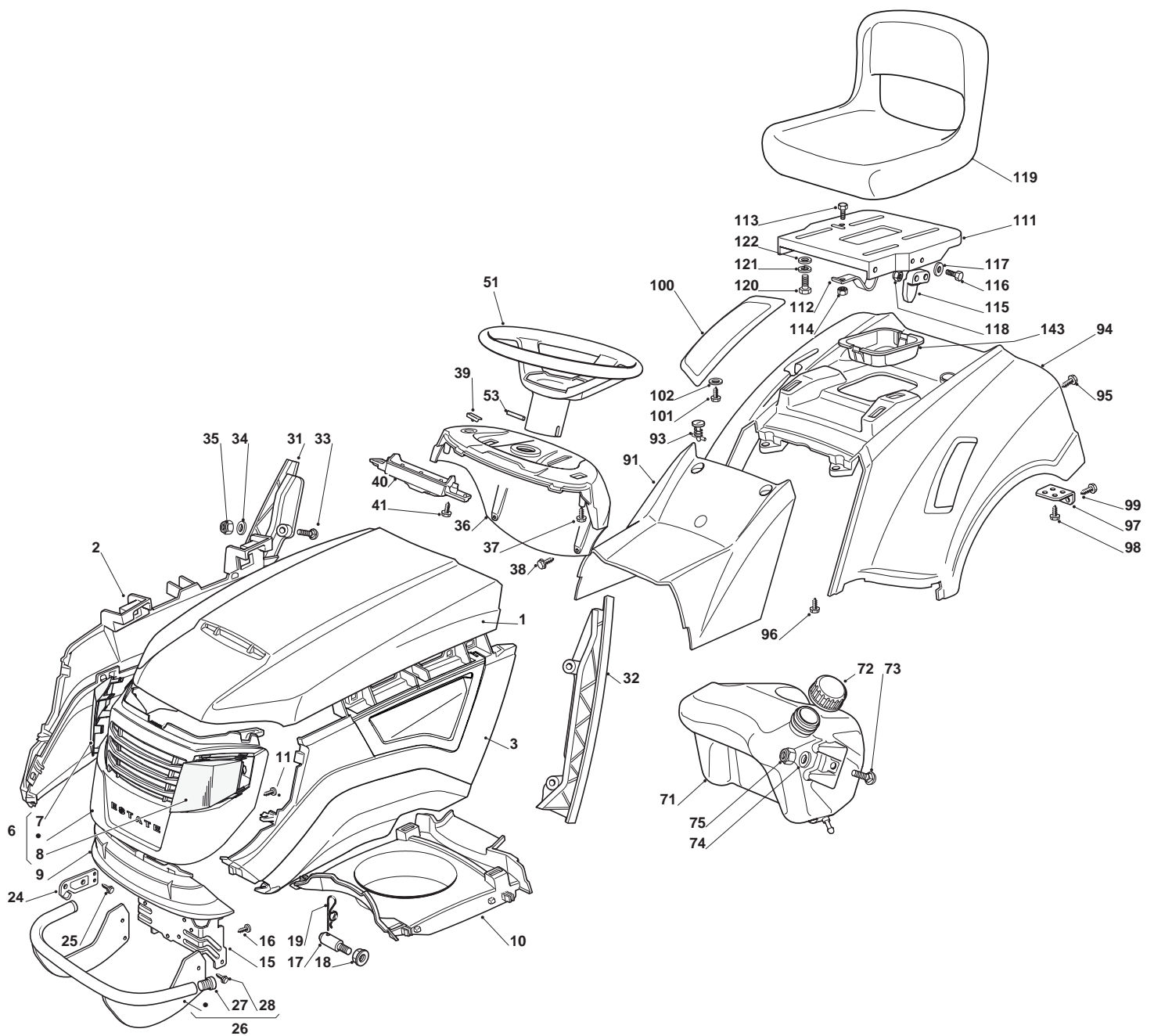
| Pos. Fig. | Antal Quantity | Art No Part No | Benämning               | Description             | Anmärkning Notes |
|-----------|----------------|----------------|-------------------------|-------------------------|------------------|
| 2         | 1              | 82774253/0     | Klämma                  | Clamp                   |                  |
| 3         | 4              | 12735121/0     | Skruv                   | Screw                   |                  |
| 4         | 1              | 325785243/1    | Left Dashboard Supp.    | Left Dashboard Supp.    |                  |
| 5         | 1              | 25785245/0     | Right Dashboard Supp.   | Right Dashboard Supp.   |                  |
| 6         | 4              | 12818690/0     | Skruv                   | Screw                   |                  |
| 7         | 4              | 12293201/0     | Mutter                  | Nut                     |                  |
| 8         | 1              | 382785151/1    | Rear Dashboard Supp     | Rear Dashboard Supp     |                  |
| 9         | 4              | 12735110/0     | Skruv                   | Screw                   |                  |
| 10        | 1              | 25785255/0     | Central Dashboard Supp  | Central Dashboard Supp  |                  |
| 11        | 2              | 12735110/0     | Skruv                   | Screw                   |                  |
| 12        | 4              | 12815200/0     | Skruv                   | Screw                   |                  |
| 13        | 4              | 12292102/0     | Mutter                  | Nut                     |                  |
| 14        | 1              | 25785241/0     | Stöd                    | Support                 |                  |
| 15        | 2              | 12815200/0     | Skruv                   | Screw                   |                  |
| 16        | 2              | 12292102/0     | Mutter                  | Nut                     |                  |
| 17        | 2              | 382785153/1    | Front Dashboard Supp    | Front Dashboard Supp    |                  |
| 18        | 2              | 12815200/0     | Skruv                   | Screw                   |                  |
| 19        | 2              | 12292102/0     | Mutter                  | Nut                     |                  |
| 31        | 2              | 25785249/0     | Seat Support            | Seat Support            |                  |
| 32        | 8              | 12815200/0     | Skruv                   | Screw                   |                  |
| 33        | 8              | 12292102/0     | Mutter                  | Nut                     |                  |
| 34        | 2              | 325785257/1    | Seat Support            | Seat Support            |                  |
| 35        | 8              | 12818690/0     | Skruv                   | Screw                   |                  |
| 36        | 8              | 12293201/0     | Mutter                  | Nut                     |                  |
| 37        | 2              | 25755039/0     | Fästvinkel              | Bracket                 |                  |
| 38        | 4              | 12792611/0     | Skruv                   | Screw                   |                  |
| 39        | 4              | 12293201/0     | Mutter                  | Nut                     |                  |
| 40        | 2              | 22524970/2     | Sprint                  | Pin                     |                  |
| 41        | 2              | 12155010/0     | Mutter                  | Nut                     |                  |
| 42        | 1              | 25755043/0     | Fästvinkel              | Bracket                 |                  |
| 43        | 1              | 25430253/0     | Fjäder                  | Spring                  |                  |
| 44        | 2              | 12789000/0     | Skruv                   | Screw                   |                  |
| 45        | 2              | 12154330/0     | Mutter                  | Nut                     |                  |
| 46        | 2              | 25430257/0     | Fjäder                  | Spring                  |                  |
| 47        | 2              | 12523070/0     | Bricka                  | Washer                  |                  |
| 48        | 2              | 12760515/0     | Skruv                   | Screw                   |                  |
| 49        | 2              | 22671653/0     | Bricka                  | Washer                  |                  |
| 50        | 2              | 12360425/0     | Mutter                  | Nut                     |                  |
| 51        | 2              | 25122000/2     | Styrning                | Hood                    |                  |
| 52        | 1              | 82547041/0     | Mothill                 | Plate                   |                  |
| 53        | 6              | 12792611/0     | Skruv                   | Screw                   |                  |
| 54        | 6              | 12293201/0     | Mutter                  | Nut                     |                  |
| 55        | 2              | 25650119/0     | Reduktion               | Plate Stiffening        |                  |
| 56        | 2              | 12792611/0     | Skruv                   | Screw                   |                  |
| 57        | 2              | 12293201/0     | Mutter                  | Nut                     |                  |
| 58        | 2              | 12818690/0     | Skruv                   | Screw                   |                  |
| 59        | 2              | 12293201/0     | Mutter                  | Nut                     |                  |
| 60        | 1              | 27430554/0     | Fjäder                  | Spring                  |                  |
| 61        | 1              | 12735110/0     | Skruv                   | Screw                   |                  |
| 83        | 4              | 12792611/0     | Skruv                   | Screw                   |                  |
| 84        | 4              | 12293201/0     | Mutter                  | Nut                     |                  |
| 94        | 4              | 12815200/0     | Skruv                   | Screw                   |                  |
| 95        | 4              | 12292102/0     | Mutter                  | Nut                     |                  |
| 102       | 1              | 382510083/0    | Left Footboard Support  | Left Footboard Support  |                  |
| 103       | 1              | 382510081/0    | Right Footboard Support | Right Footboard Support |                  |
| 104       | 1              | 25110327/0     | Left Footboard Cover    | Left Footboard Cover    |                  |
| 105       | 1              | 25110326/0     | Right Footboard Cover   | Right Footboard Cover   |                  |





## Estate Senator Pro HST 13 - Model Year 2010

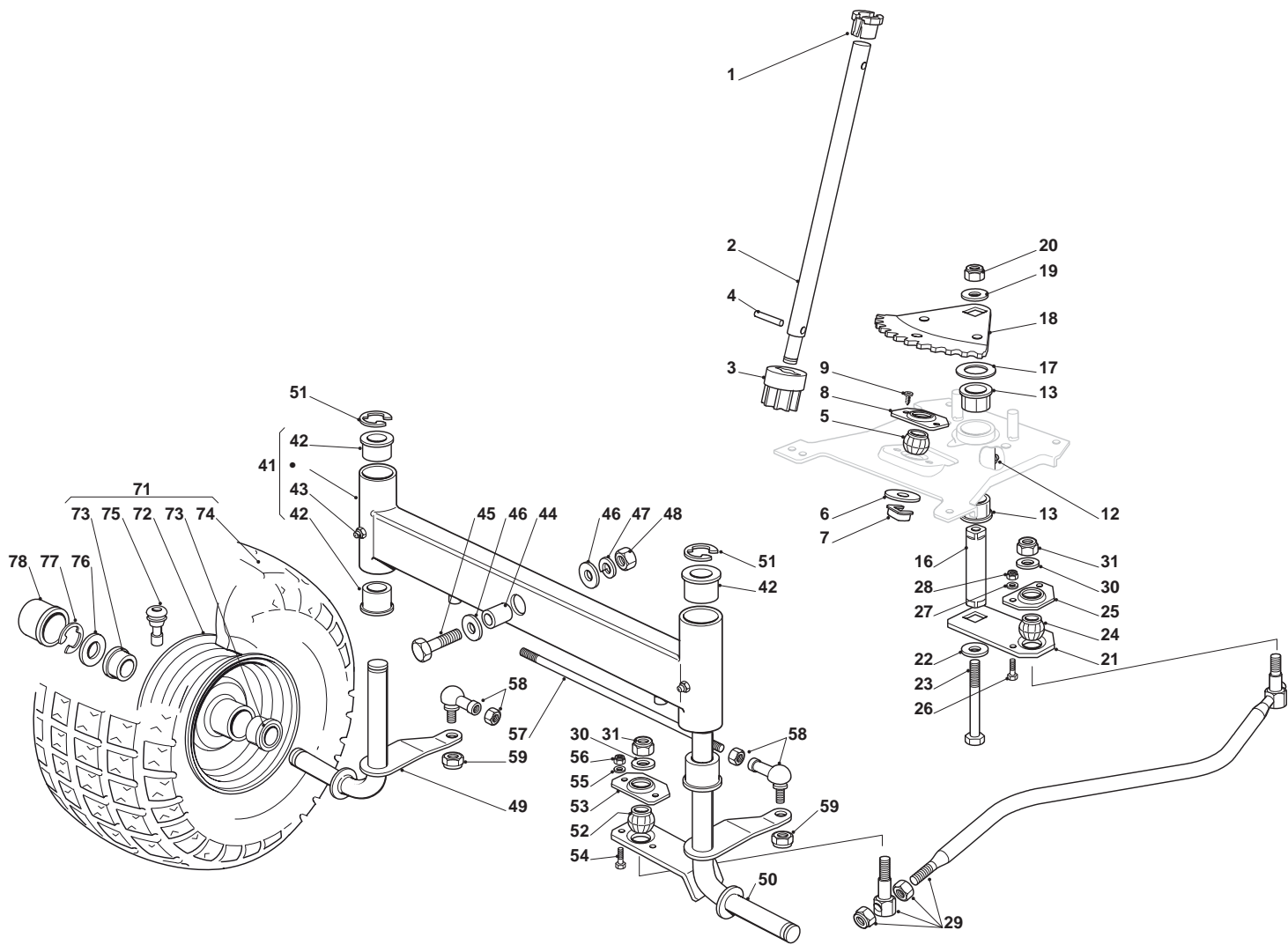
| Pos. Fig. | Antal Quantity | Art No Part No | Benämning                 | Description               | Anmärkning Notes |
|-----------|----------------|----------------|---------------------------|---------------------------|------------------|
| 1         | 1              | 25076866/0     | Upper Engine Hood, Yellow | Upper Engine Hood, Yellow |                  |
| 2         | 1              | 382394611/0    | Styrning                  | Hood, Right               |                  |
| 3         | 1              | 382394612/0    | Styrning                  | Hood, Left                |                  |
| 6         | 1              | 82394610/0     | Motorhuv                  | Grey Hood, Front          |                  |
| 7         | 1              | 25410876/0     | Frontkípa                 | Right Grill               |                  |
| 8         | 1              | 25410877/0     | Frontkípa                 | Left Grill                |                  |
| 9         | 1              | 25076865/0     | Lower Grey Hood, Front    | Lower Grey Hood, Front    |                  |
| 10        | 1              | 25108031/0     | Inmatningstratt           | Conveyor                  |                  |
| 11        | 6              | 12735403/0     | Skruv                     | Screw                     |                  |
| 15        | 1              | 25774301/1     | Motorhuv                  | Engine Hood Support       |                  |
| 16        | 5              | 12735403/0     | Skruv                     | Screw                     |                  |
| 17        | 2              | 25510079/0     | Sprint                    | Pin                       |                  |
| 18        | 2              | 12293201/0     | Mutter                    | Nut                       |                  |
| 19        | 2              | 24487998/0     | Lísníl                    | Cotter Pin                |                  |
| 24        | 2              | 325547159/1    | Plít                      | Plate                     |                  |
| 25        | 4              | 12731580/0     | Skruv                     | Screw                     |                  |
| 26        | 1              | 82869027/0     | Ljuddämparskydd           | Muffler Protection        |                  |
| 27        | 2              | 18737860/0     | Plugg                     | Cap                       |                  |
| 28        | 4              | 12734995/0     | Skruv                     | Screw                     |                  |
| 31        | 1              | 25599012/0     | Right Dashboard Supp.     | Right Dashboard Supp.     |                  |
| 32        | 1              | 25599013/0     | Left Dashboard Supp.      | Left Dashboard Supp.      |                  |
| 33        | 4              | 12815221/0     | Skruv                     | Screw                     |                  |
| 34        | 4              | 12521330/0     | Bricka                    | Washer                    |                  |
| 35        | 4              | 12154510/0     | Mutter                    | Nut                       |                  |
| 36        | 1              | 325120188/2    | Panel                     | Dashboard                 |                  |
| 37        | 2              | 12728440/0     | Skruv                     | Screw                     |                  |
| 38        | 2              | 12735402/0     | Skruv                     | Screw                     |                  |
| 39        | 2              | 25260000/0     | Hylsa                     | Grommet                   |                  |
| 40        | 1              | 25600074/0     | Skydd-röd                 | Card Protection           |                  |
| 41        | 2              | 12735402/0     | Skruv                     | Screw                     |                  |
| 51        | 1              | 25961209/0     | Steering Wheel            | Steering Wheel            |                  |
| 52        | 1              | 325580500/0    | Plugg                     | Cap                       |                  |
| 53        | 1              | 12620299/0     | Stift                     | Pin                       |                  |
| 61        | 1              | 182000212/0    | Gasreglage                | Accelerator               |                  |
| 61        | 1              | 82000200/1     | Gasreglage                | Accelerator               |                  |
| 62        | 2              | 12788512/0     | Skruv                     | Screw                     |                  |
| 63        | 2              | 12581200/0     | Grower                    | Grower                    |                  |
| 64        | 1              | 25394501/0     | Handtag                   | Handle                    |                  |
| 65        | 1              | 12726388/0     | Skruv                     | Screw                     |                  |
| 66        | 1              | 12290800/0     | Mutter                    | Nut                       |                  |
| 71        | 1              | 325735128/0    | Tank                      | Tank                      |                  |
| 72        | 1              | 25795001/1     | Lock                      | Cap                       |                  |
| 73        | 2              | 12815210/0     | Skruv                     | Screw                     |                  |
| 74        | 2              | 325160039/0    | Distans                   | Spacer                    |                  |
| 75        | 2              | 12154510/0     | Mutter                    | Nut                       |                  |
| 91        | 1              | 325110365/0    | Kípa-gul                  | Cover, Yellow             |                  |
| 92        | 1              | 25207172/0     | Plít                      | Plate (Mech.)             |                  |
| 93        | 2              | 25580020/0     | Axelförlängning           | Pivot                     |                  |
| 94        | 1              | 25110323/0     | Kípa                      | Wheels Cover, Yellow      |                  |
| 95        | 4              | 12735402/0     | Skruv                     | Screw                     |                  |
| 96        | 2              | 12735402/0     | Skruv                     | Screw                     |                  |
| 97        | 2              | 25755041/0     | Fästvinkel                | Bracket                   |                  |
| 98        | 4              | 12728686/0     | Skruv                     | Screw                     |                  |
| 99        | 2              | 12735110/0     | Skruv                     | Screw                     |                  |
| 100       | 1              | 25207171/0     | Kípa                      | Cover (Hydro)             |                  |
| 101       | 2              | 12735402/0     | Skruv                     | Screw                     |                  |
| 102       | 4              | 12523050/0     | Bricka                    | Washer                    |                  |
| 111       | 1              | 25547033/1     | Mothíll                   | Plate                     |                  |
| 112       | 1              | 25430223/2     | Fjäder                    | Spring                    |                  |





## Estate Senator Pro HST 13 - Model Year 2010

| Pos. Fig. | Antal Quantity | Art No Part No | Benämning | Description | Anmärkning Notes |
|-----------|----------------|----------------|-----------|-------------|------------------|
| 113       | 1              | 12789000/0     | Skruv     | Screw       |                  |
| 114       | 1              | 12154330/0     | Mutter    | Nut         |                  |
| 115       | 1              | 27063021/1     | Fäste     | Cam         |                  |
| 116       | 2              | 12789100/0     | Skruv     | Screw       |                  |
| 117       | 2              | 12523020/0     | Bricka    | Washer      |                  |
| 118       | 2              | 12154330/0     | Mutter    | Nut         |                  |
| 119       | 1              | 25722456/0     | Seat      | Seat        |                  |
| 120       | 4              | 12793101/0     | Skruv     | Screw       |                  |
| 121       | 4              | 12583500/0     | Låsbricka | Grower      |                  |
| 122       | 4              | 12523060/0     | Bricka    | Washer      |                  |
| 131       | 1              | 325735124/0    | Tank      | Tank        |                  |
| 132       | 1              | 25795001/1     | Lock      | Cap         |                  |
| 133       | 1              | 325785291/0    | Stöd      | Support     |                  |
| 134       | 1              | 12789195/0     | Skruv     | Screw       |                  |
| 135       | 1              | 12581500/0     | Låsbricka | Grower      |                  |
| 136       | 1              | 12437503/0     | Mutter    | Nut         |                  |
| 137       | 1              | 325785289/0    | Stöd      | Support     |                  |
| 138       | 4              | 12735403/0     | Skruv     | Screw       |                  |
| 143       | 1              | 325207176/0    | Kåpa      | Cover       |                  |

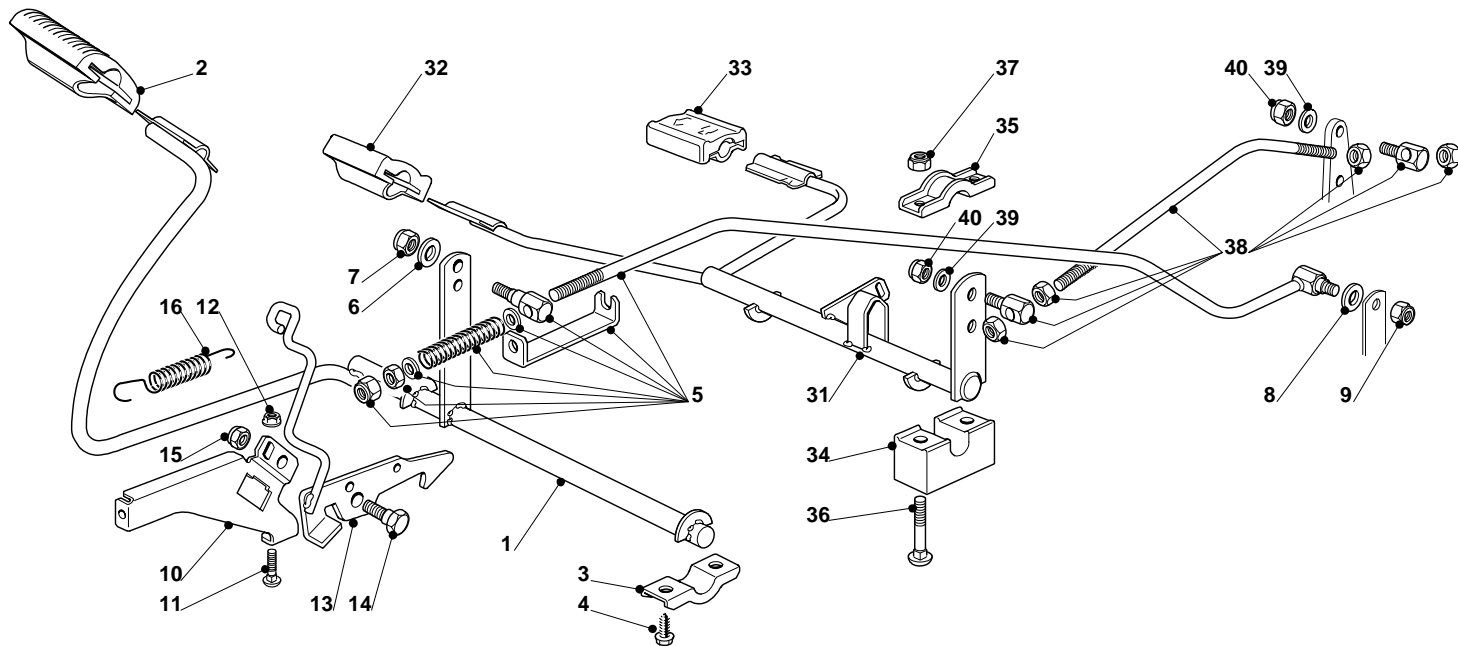






## Estate Senator Pro HST 13 - Model Year 2010

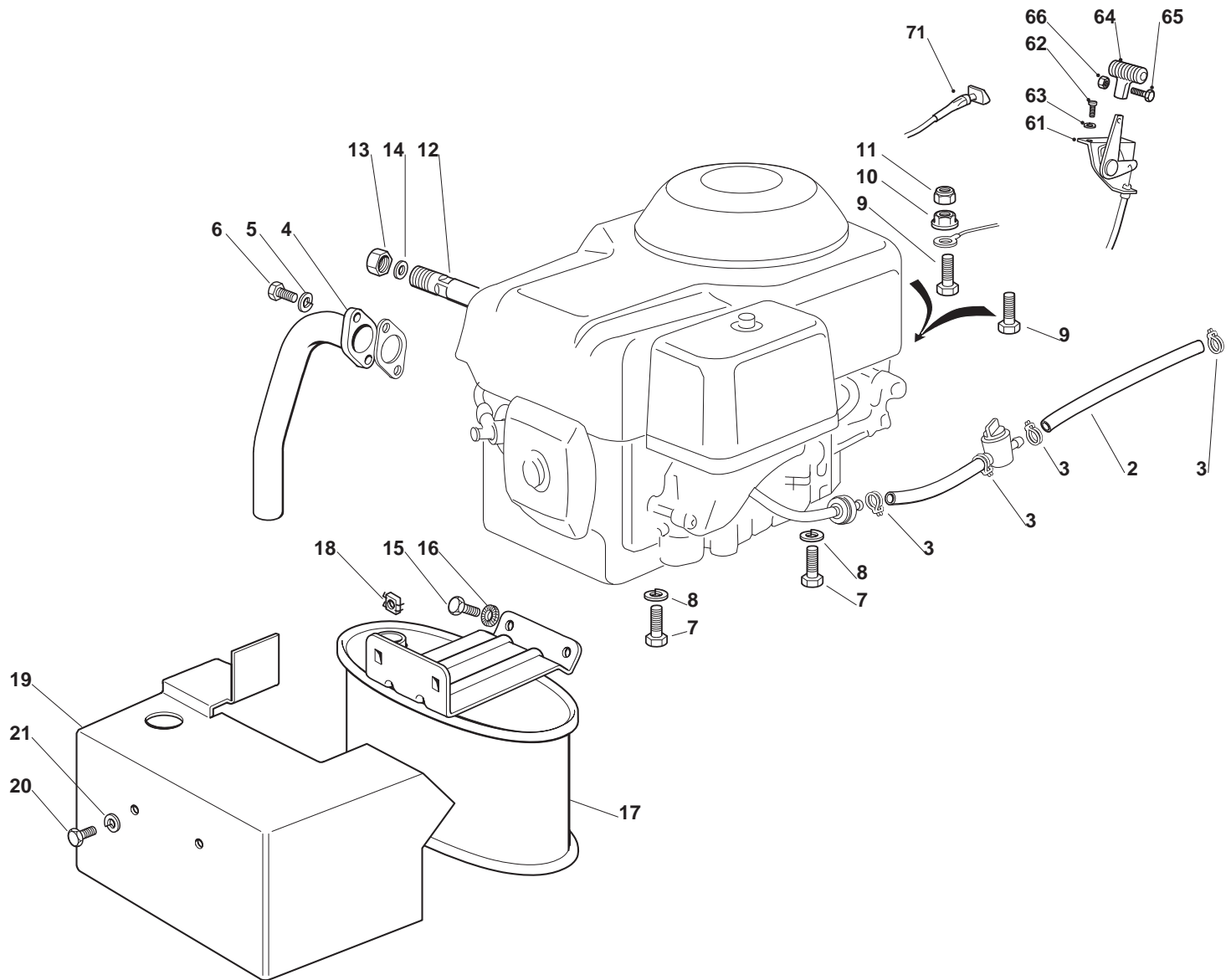
| Pos. Fig. | Antal Quantity | Art No Part No | Benämning                           | Description                        | Anmärkning Notes |
|-----------|----------------|----------------|-------------------------------------|------------------------------------|------------------|
| 1         | 1              | 25038004/0     | Bussning                            | Bush                               |                  |
| 2         | 1              | 125520006/1    | Steering Column                     | Steering Column                    |                  |
| 3         | 1              | 27570050/0     | Drev                                | Pinion                             |                  |
| 4         | 1              | 12622650/0     | Stift                               | Pin                                |                  |
| 5         | 1              | 25743000/0     | Ledklåpa, vä+hö                     | Joint                              |                  |
| 6         | 1              | 12521370/0     | Bricka                              | Washer                             |                  |
| 7         | 1              | 12436030/0     | Platta                              | Plate                              |                  |
| 8         | 1              | 25785213/0     | Stöd                                | Support                            |                  |
| 9         | 2              | 12729601/1     | Skruv                               | Screw                              |                  |
| 12        | 1              | 12379511/0     | Smörjnippl                          | Grease Dispenser                   |                  |
| 13        | 2              | 25040624/0     | Bussning                            | Bush                               |                  |
| 16        | 1              | 25510092/0     | Sprint                              | Pin                                |                  |
| 17        | 1              | 25670019/0     | Bricka                              | Washer                             |                  |
| 18        | 1              | 25735513/0     | Sector                              | Steering Shaft                     |                  |
| 19        | 1              | 12523080/0     | Bricka                              | Washer                             |                  |
| 20        | 1              | 12155020/0     | Mutter                              | Nut                                |                  |
| 21        | 1              | 25318205/0     | Arm                                 | Lever                              |                  |
| 22        | 1              | 12523080/0     | Bricka                              | Washer                             |                  |
| 23        | 1              | 12794985/0     | Skruv                               | Screw (Mod. 122)                   |                  |
| 24        | 1              | 25743000/0     | Ledklåpa, vä+hö                     | Joint                              |                  |
| 25        | 1              | 25785213/0     | Stöd                                | Support                            |                  |
| 26        | 2              | 12791213/1     | Skruv                               | Screw                              |                  |
| 27        | 2              | 12521330/0     | Bricka                              | Washer                             |                  |
| 28        | 2              | 12154510/0     | Mutter                              | Nut                                |                  |
| 29        | 1              | 382000539/1    | Vevstake                            | Steering Rod                       |                  |
| 30        | 2              | 12523070/0     | Bricka                              | Washer                             |                  |
| 31        | 2              | 12155010/0     | Mutter                              | Nut                                |                  |
| 41        | 1              | 382034024/1    | Kipphebel Mit Büchse Und Fettbüchse | Equalizer With Bush And Lubricator |                  |
| 42        | 4              | 25034002/1     | Bussning                            | Brass                              |                  |
| 43        | 2              | 12379511/0     | Smörjnippl                          | Grease Dispenser                   |                  |
| 44        | 1              | 25160016/0     | Distans                             | Spacer                             |                  |
| 45        | 1              | 12692695/0     | Skruv                               | Screw                              |                  |
| 46        | 2              | 12523100/0     | Bricka                              | Washer                             |                  |
| 47        | 1              | 12587100/0     | Grower                              | Grower                             |                  |
| 48        | 1              | 12295300/0     | Mutter                              | Nut                                |                  |
| 49        | 1              | 82230363/0     | Right Stub Axle                     | Right Stub Axle                    |                  |
| 50        | 1              | 82230365/0     | Left Stub Axle                      | Left Stub Axle                     |                  |
| 51        | 2              | 12001000/0     | Låsring                             | Snap Ring                          |                  |
| 52        | 1              | 25743000/0     | Ledklåpa, vä+hö                     | Joint                              |                  |
| 53        | 1              | 25785213/0     | Stöd                                | Support                            |                  |
| 54        | 2              | 12791213/1     | Skruv                               | Screw                              |                  |
| 55        | 2              | 12521330/0     | Bricka                              | Washer                             |                  |
| 56        | 2              | 12154510/0     | Mutter                              | Nut                                |                  |
| 57        | 1              | 125840023/0    | Gasreglagelänk                      | Tie Rod                            |                  |
| 58        | 2              | 22746600/0     | Ledklåpa, vä+hö                     | Joint                              |                  |
| 59        | 2              | 12156602/0     | Mutter                              | Nut                                |                  |
| 71        | 2              | 382680022/0    | Stödhjul                            | Rear Wheel                         |                  |
| 72        | 2              | 82000590/1     | Rimm                                | Rimm                               |                  |
| 73        | 4              | 25122200/2     | Lager                               | Bearing                            |                  |
| 74        | 2              | 125590010/0    | Shoe                                | Shoe                               |                  |
| 75        | 2              | 25950000/0     | Ventil                              | Valve                              |                  |
| 76        | 2              | 25670005/1     | Bricka                              | Washer                             |                  |
| 77        | 2              | 12001000/0     | Låsring                             | Snap Ring                          |                  |
| 78        | 2              | 22110230/0     | Lock                                | Cap                                |                  |
| 79        | 2              | 82110252/0     | Navkapsel                           | Hub Cover                          |                  |
| 80        | 2              | 82110274/0     | Navkapsel                           | Hub Cover                          |                  |





## Estate Senator Pro HST 13 - Model Year 2010

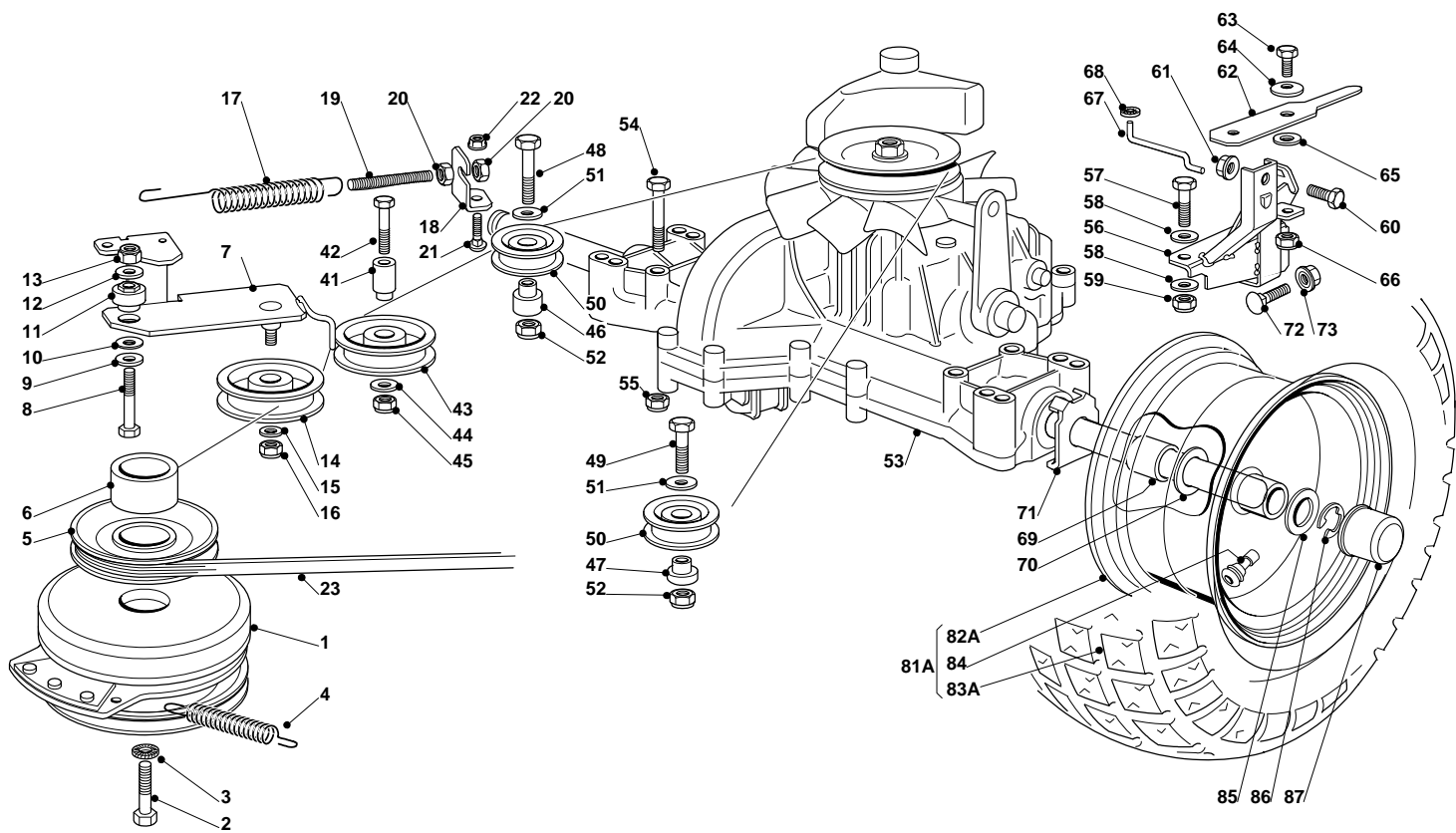
| Pos. Fig. | Antal Quantity | Art No Part No | Benämning         | Description       | Anmärkning Notes |
|-----------|----------------|----------------|-------------------|-------------------|------------------|
| 1         | 1              | 82500029/1     | Pedal             | Pedal             |                  |
| 2         | 1              | 25110267/0     | Clamp Cover       | Clamp Cover       |                  |
| 3         | 2              | 27546015/1     | Plåt              | Plate             |                  |
| 4         | 4              | 12729601/1     | Skruv             | Screw             |                  |
| 5         | 1              | 82000542/0     | Länk              | Rod               |                  |
| 6         | 1              | 12521350/0     | Bricka            | Washer            |                  |
| 7         | 1              | 12155000/0     | Mutter            | Nut               |                  |
| 8         | 1              | 12521350/0     | Bricka            | Washer            |                  |
| 9         | 1              | 12155000/0     | Mutter            | Nut               |                  |
| 10        | 1              | 25785261/0     | Stöd              | Support           |                  |
| 11        | 2              | 12815200/0     | Skruv             | Screw             |                  |
| 12        | 2              | 12292102/0     | Mutter            | Nut               |                  |
| 13        | 1              | 82000531/0     | Länk              | Rod               |                  |
| 14        | 1              | 22524970/2     | Sprint            | Pin               |                  |
| 15        | 1              | 12155000/0     | Mutter            | Nut               |                  |
| 16        | 1              | 25430213/0     | Fjäder            | Spring            |                  |
| 31        | 1              | 382000383/1    |                   |                   |                  |
| 32        | 1              | 25110274/0     | Clamp Cover Front | Clamp Cover Front |                  |
| 33        | 1              | 25110331/0     | Clamp Cover Rear  | Clamp Cover Rear  |                  |
| 34        | 2              | 25785185/0     | Stöd              | Support           |                  |
| 35        | 2              | 27546015/1     | Plåt              | Plate             |                  |
| 36        | 4              | 12815245/0     | Skruv             | Screw             |                  |
| 37        | 4              | 12154510/0     | Mutter            | Nut               |                  |
| 38        | 1              | 82000543/0     | Länk              | Rod               |                  |
| 39        | 2              | 12523040/0     | Bricka            | Washer            |                  |
| 40        | 2              | 12154510/0     | Mutter            | Nut               |                  |





## Estate Senator Pro HST 13 - Model Year 2010

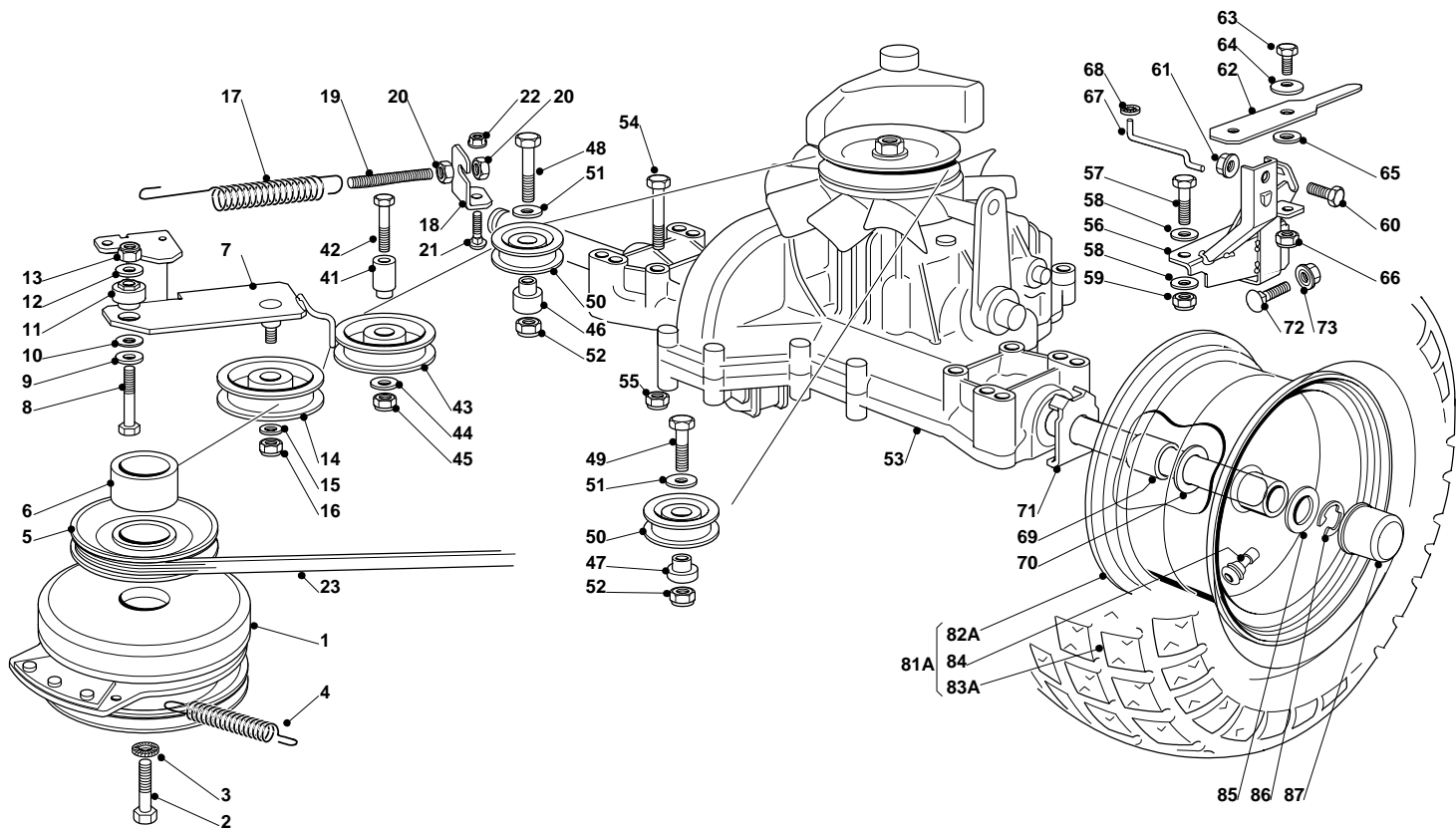
| Pos. Fig. | Antal Quantity | Art No Part No | Benämning               | Description               | Anmärkning Notes |
|-----------|----------------|----------------|-------------------------|---------------------------|------------------|
| 2         | 1              | 25869057/0     | Vevstake                | Connecting Tube (1000 Mm) |                  |
| 3         | 4              | 18375051/1     | Slangklämma             | Fair Led                  |                  |
| 4         | 1              | 18738204/0     | Avgasrör                | Exhaust Tube              |                  |
| 5         | 2              | 12583500/0     | Låsbricka               | Grower                    |                  |
| 6         | 2              | 12793102/0     | Skruv                   | Screw                     |                  |
| 7         | 2              | 12735802/0     | Skruv                   | Screw                     |                  |
| 8         | 2              | 12583500/0     | Låsbricka               | Grower                    |                  |
| 9         | 2              | 12691100/0     | Skruv                   | Screw                     |                  |
| 10        | 2              | 12154210/0     | Mutter                  | Nut                       |                  |
| 11        | 1              | 12155000/0     | Mutter                  | Nut                       |                  |
| 12        | 1              | 27598061/1     | Oil Discharge Extension | Oil Discharge Extension   |                  |
| 13        | 1              | 18737849/0     | Lock                    | Oil Cap                   |                  |
| 14        | 1              | 18401001/1     | Tätningring             | Oil Seal                  |                  |
| 15        | 2              | 12792611/0     | Skruv                   | Screw                     |                  |
| 16        | 2              | 12540260/0     | Bricka                  | Washer                    |                  |
| 17        | 1              | 182750010/0    | Ljuddämpare             | Muffler                   |                  |
| 18        | 2              | 12360425/0     | Mutter                  | Nut                       |                  |
| 19        | 1              | 82598003/1     | Skydd                   | Guard                     |                  |
| 20        | 2              | 125943012/0    | Skruv                   | Screw                     |                  |
| 62        | 2              | 12788512/0     | Skruv                   | Screw                     |                  |
| 63        | 2              | 12581200/0     | Grower                  | Grower                    |                  |
| 64        | 1              | 25394501/0     | Handtag                 | Handle                    |                  |
| 65        | 1              | 12726388/0     | Skruv                   | Screw                     |                  |
| 66        | 1              | 12290800/0     | Mutter                  | Nut                       |                  |
| 71        | 1              | 125090007/0    | Chokereglage            | Choke Control             |                  |





## Estate Senator Pro HST 13 - Model Year 2010

| Pos. Fig. | Antal Quantity | Art No Part No | Benämning                | Description              | Anmärkning Notes |
|-----------|----------------|----------------|--------------------------|--------------------------|------------------|
| 1         | 1              | 118399063/0    | Koppling                 | Clutch                   |                  |
| 2         | 1              | 12737320/0     | Skruv                    | Screw                    |                  |
| 3         | 1              | 12543000/0     | Bricka                   | Washer                   |                  |
| 4         | 1              | 22430216/0     | Fjäder                   | Spring                   |                  |
| 5         | 1              | 25601566/0     | Remskiva                 | Pulley                   |                  |
| 6         | 1              | 25160021/0     | Distans                  | Spacer                   |                  |
| 7         | 1              | 82318217/0     | Arm                      | Lever                    |                  |
| 8         | 1              | 12691115/0     | Skruv                    | Screw                    |                  |
| 9         | 1              | 12523060/0     | Bricka                   | Washer                   |                  |
| 10        | 1              | 27670055/0     | Bricka                   | Washer                   |                  |
| 11        | 1              | 25510087/0     | Sprint                   | Pin                      |                  |
| 12        | 1              | 12523060/0     | Bricka                   | Washer                   |                  |
| 13        | 1              | 12155000/0     | Mutter                   | Nut                      |                  |
| 14        | 1              | 25601554/0     | Remskiva                 | Pulley                   |                  |
| 15        | 1              | 12523060/0     | Bricka                   | Washer                   |                  |
| 16        | 1              | 12155000/0     | Mutter                   | Nut                      |                  |
| 17        | 1              | 25430260/0     | Fjäder                   | Spring                   |                  |
| 18        | 1              | 25755049/0     | Fästvinkel               | Bracket                  |                  |
| 19        | 1              | 25840005/0     | Stång                    | Tie Rod                  |                  |
| 20        | 2              | 12293200/0     | Mutter                   | Nut                      |                  |
| 21        | 1              | 12818690/0     | Skruv                    | Screw                    |                  |
| 22        | 1              | 12293201/0     | Mutter                   | Nut                      |                  |
| 23        | 1              | 35062001/0     | Drivrem                  | Belt                     |                  |
| 41        | 1              | 125510100/0    | Sprint                   | Pin                      |                  |
| 42        | 1              | 12691800/0     | Skruv                    | Screw                    |                  |
| 43        | 1              | 25601555/0     | Remskiva                 | Pulley                   |                  |
| 44        | 1              | 12523060/0     | Bricka                   | Washer                   |                  |
| 45        | 1              | 12155000/0     | Mutter                   | Nut                      |                  |
| 46        | 1              | 125160024/2    | Distans                  | Spacer                   |                  |
| 47        | 1              | 125160030/1    | Distans                  | Spacer                   |                  |
| 48        | 1              | 12691400/0     | Skruv                    | Right Screw              |                  |
| 49        | 1              | 12691115/0     | Skruv                    | Screw                    |                  |
| 50        | 2              | 125601588/0    | Remskiva                 | Pulley                   |                  |
| 51        | 2              | 22671653/0     | Bricka                   | Washer                   |                  |
| 52        | 2              | 12155000/0     | Mutter                   | Nut                      |                  |
| 53        | 1              | 18400960/0     | Rear Axle Tuff Torq K46S | Rear Axle Tuff Torq K46S |                  |
| 54        | 4              | 12691800/0     | Skruv                    | Screw                    |                  |
| 55        | 4              | 12154210/0     | Mutter                   | Nut                      |                  |
| 56        | 1              | 82785149/0     | Stöd                     | Support                  |                  |
| 57        | 1              | 12691200/0     | Skruv                    | Screw (Wheels 15")       |                  |
| 58        | 2              | 12521350/0     | Bricka                   | Washer                   |                  |
| 59        | 1              | 12155000/0     | Mutter                   | Nut                      |                  |
| 60        | 1              | 12792611/0     | Skruv                    | Screw                    |                  |
| 61        | 1              | 12293201/0     | Mutter                   | Nut                      |                  |
| 62        | 1              | 25318157/0     | Arm                      | Lever                    |                  |
| 63        | 1              | 12793102/0     | Skruv                    | Screw                    |                  |
| 64        | 1              | 12369500/0     | Bricka                   | Washer                   |                  |
| 65        | 1              | 25670011/0     | Bricka                   | Washer                   |                  |
| 66        | 1              | 12155000/0     | Mutter                   | Nut                      |                  |
| 67        | 1              | 25033033/0     | Länk                     | Rod                      |                  |
| 68        | 1              | 12604896/0     | Låsbricka                | Snap Ring                |                  |
| 69        | 2              | 25160031/0     | Distans                  | Spacer                   |                  |
| 70        | 24             | 12521410/0     | Bricka                   | Washer                   |                  |
| 71        | 2              | 325670025/0    | Bricka                   | Washer                   |                  |
| 72        | 1              | 12792611/0     | Skruv                    | Screw                    |                  |
| 73        | 1              | 12293201/0     | Mutter                   | Nut                      |                  |
| 81A       | 2              | 382680022/0    | Stödhjul                 | Rear Wheel               |                  |
| 82A       | 2              | 82000592/0     | Rimm                     | Rimm                     |                  |
| 83A       | 2              | 125590011/0    | Shoe                     | Shoe                     |                  |

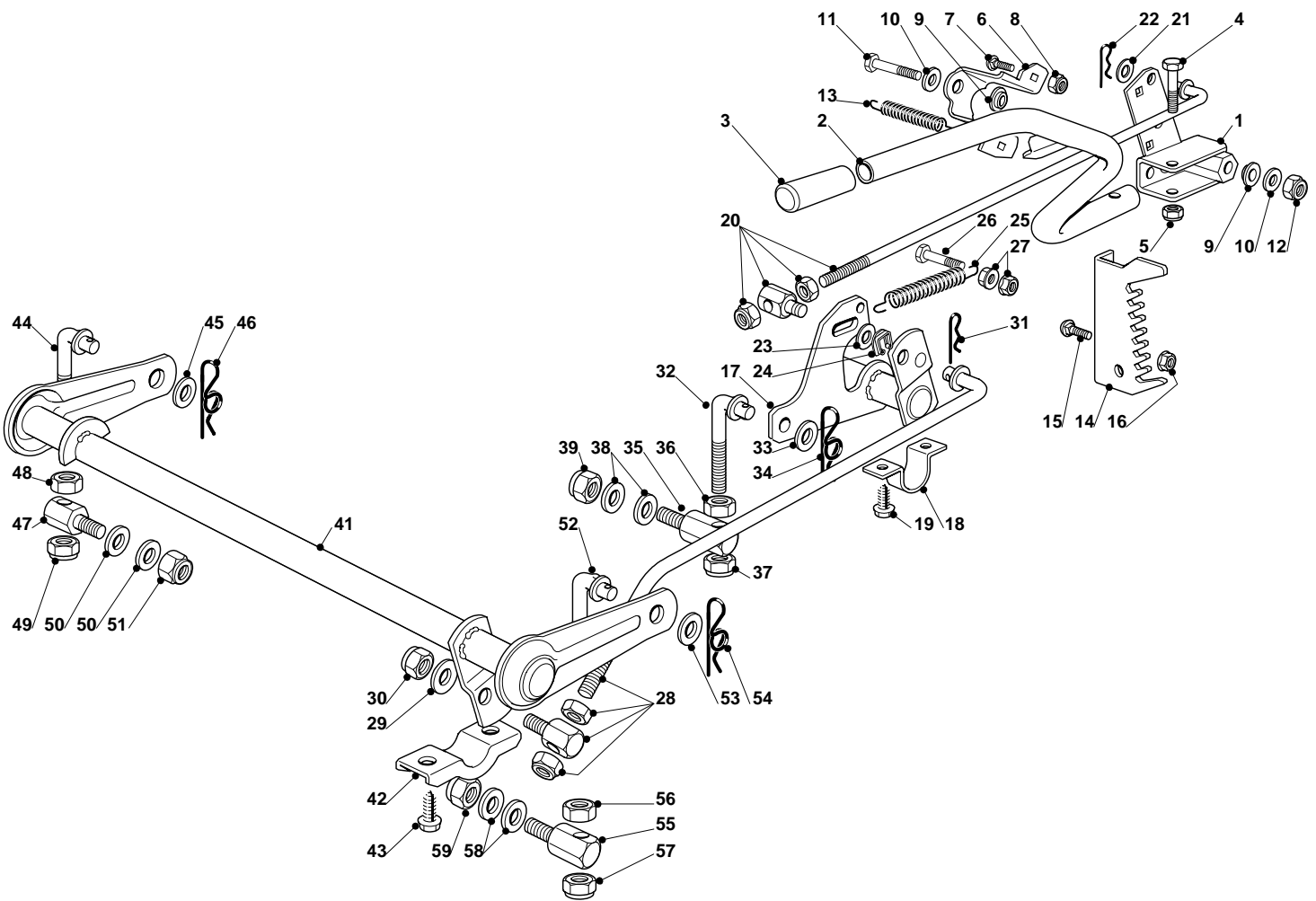






## Estate Senator Pro HST 13 - Model Year 2010

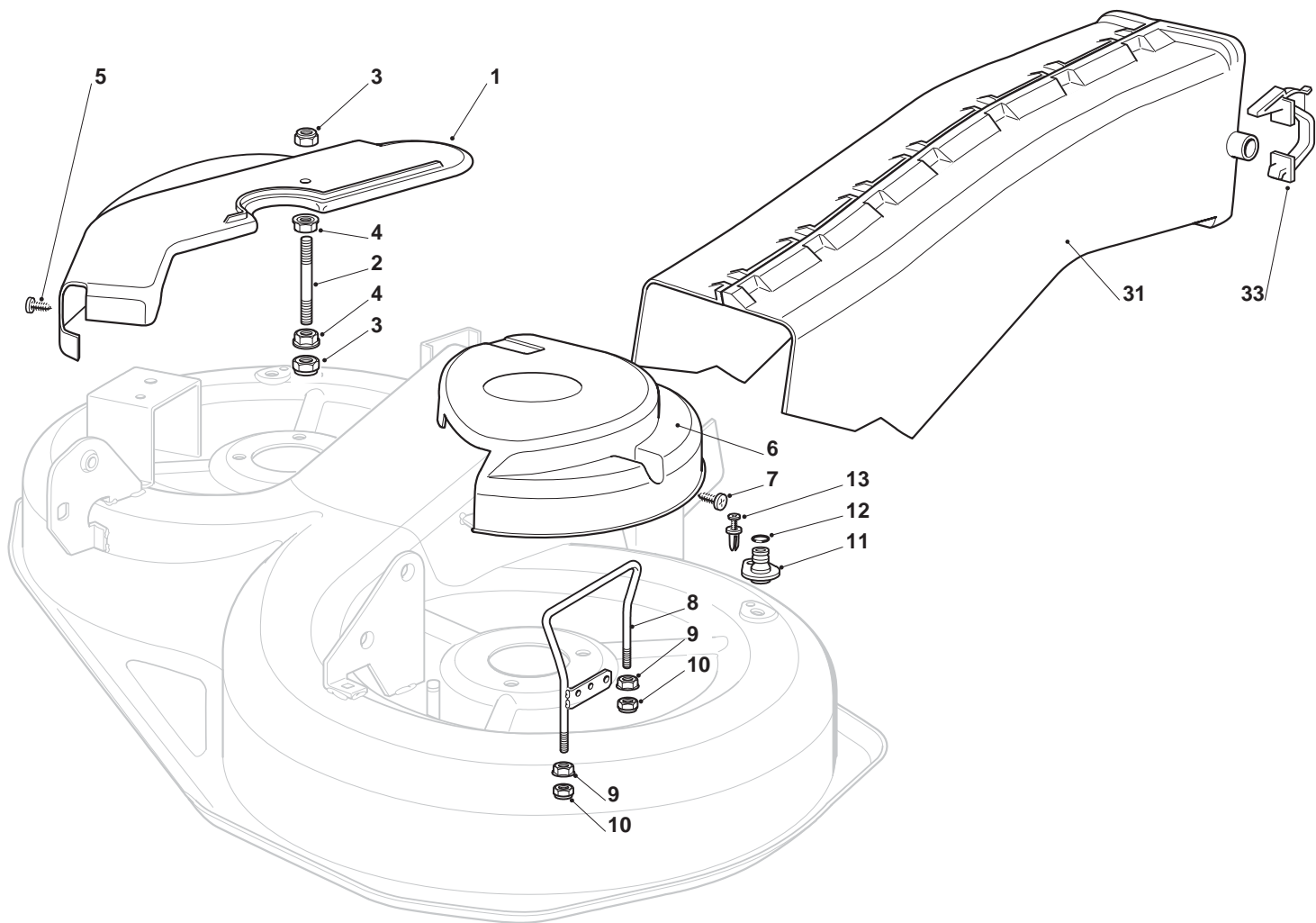
| Pos. Fig. | Antal Quantity | Art No Part No | Benämning | Description | Anmärkning Notes |
|-----------|----------------|----------------|-----------|-------------|------------------|
| 84        | 2              | 25950000/0     | Ventil    | Valve       |                  |
| 85        | 2              | 25670005/1     | Bricka    | Washer      |                  |
| 86        | 2              | 12001010/0     | Låsring   | Snap Ring   |                  |
| 87        | 2              | 22110230/0     | Lock      | Cap         |                  |





## Estate Senator Pro HST 13 - Model Year 2010

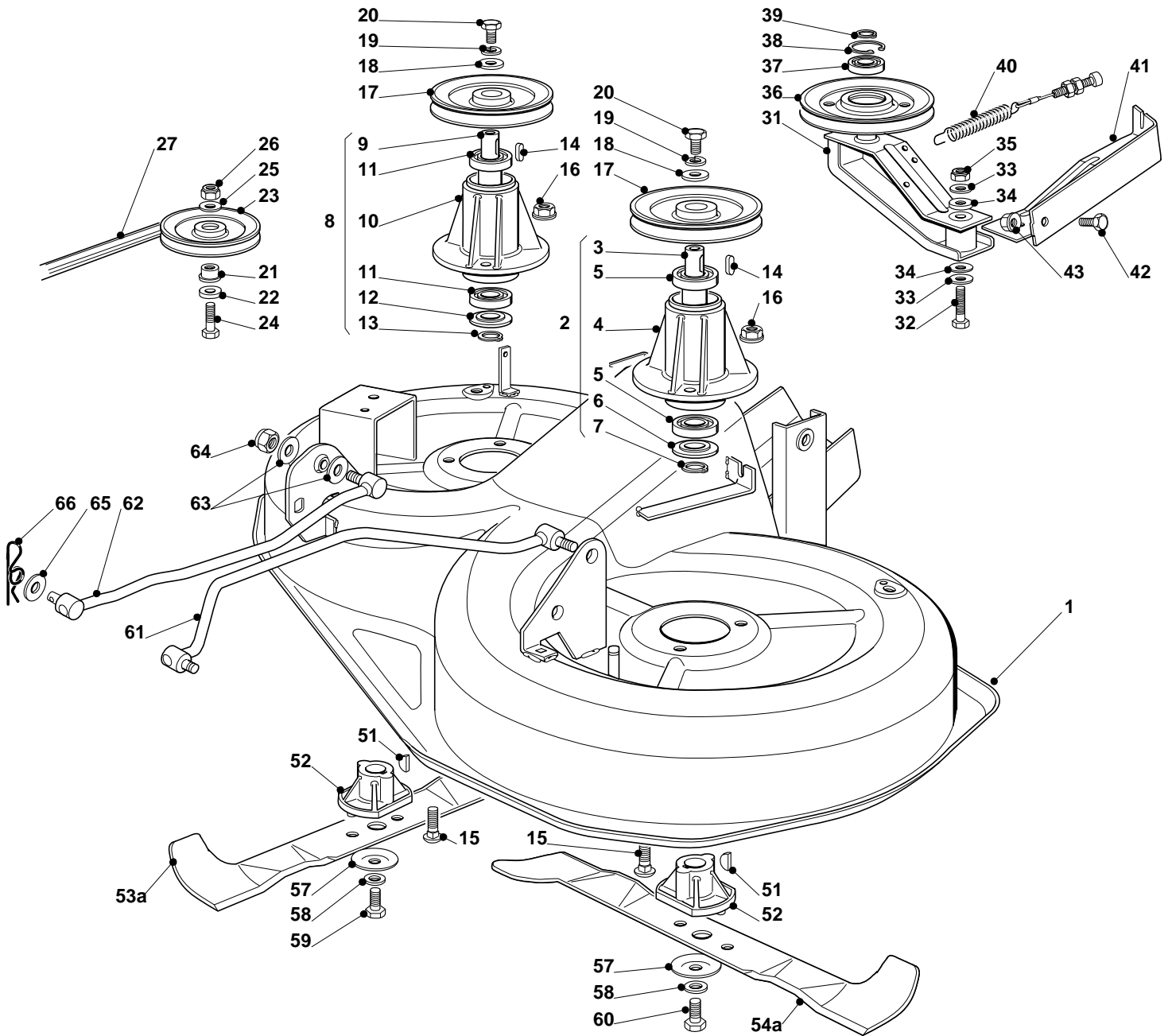
| Pos. Fig. | Antal Quantity | Art No Part No | Benämning | Description    | Anmärkning Notes |
|-----------|----------------|----------------|-----------|----------------|------------------|
| 1         | 1              | 82774249/0     | Klämma    | Clamp          |                  |
| 2         | 1              | 82318219/0     | Arm       | Lever          |                  |
| 3         | 1              | 25394508/0     | Handtag   | Handle         |                  |
| 4         | 1              | 12674700/0     | Skruv     | Screw          |                  |
| 5         | 1              | 12154510/0     | Mutter    | Nut            |                  |
| 6         | 1              | 25650113/0     | Plåt      | Plate          |                  |
| 7         | 2              | 12818690/0     | Skruv     | Screw          |                  |
| 8         | 2              | 12155000/0     | Mutter    | Nut            |                  |
| 9         | 2              | 22041980/0     | Distans   | Spacer         |                  |
| 10        | 2              | 12523060/0     | Bricka    | Washer         |                  |
| 11        | 1              | 12691600/0     | Skruv     | Screw          |                  |
| 12        | 1              | 12155000/0     | Mutter    | Nut            |                  |
| 13        | 1              | 25430259/0     | Fjäder    | Spring         |                  |
| 14        | 1              | 25735511/0     | Sector    | Sector         |                  |
| 15        | 2              | 12818690/0     | Skruv     | Screw          |                  |
| 16        | 2              | 12293201/0     | Mutter    | Nut            |                  |
| 17        | 1              | 82000387/0     | Axel      | Axle           |                  |
| 18        | 2              | 25547041/0     | Plåt      | Plate          |                  |
| 19        | 4              | 12731601/0     | Skruv     | Screw          |                  |
| 20        | 1              | 82000536/0     | Länk      | Rod            |                  |
| 21        | 1              | 25670011/0     | Bricka    | Washer         |                  |
| 22        | 1              | 24487998/0     | Låsnål    | Cotter Pin     |                  |
| 23        | 1              | 25670008/1     | Bricka    | Washer         |                  |
| 24        | 1              | 12436050/0     | Låsplatta | Plate          |                  |
| 25        | 1              | 22446402/0     | Fjäder    | Spring         |                  |
| 26        | 1              | 12792410/0     | Skruv     | Screw          |                  |
| 27        | 2              | 12292102/0     | Mutter    | Nut            |                  |
| 28        | 1              | 82000537/0     | Vevstake  | Connecting Rod |                  |
| 29        | 2              | 25670008/1     | Bricka    | Washer         |                  |
| 30        | 1              | 12156602/0     | Mutter    | Nut            |                  |
| 31        | 1              | 24487998/0     | Låsnål    | Cotter Pin     |                  |
| 32        | 1              | 25840025/0     | Stång     | Tie Rod        |                  |
| 33        | 1              | 25670008/1     | Bricka    | Washer         |                  |
| 34        | 1              | 24487998/0     | Låsnål    | Cotter Pin     |                  |
| 35        | 1              | 25510090/0     | Sprint    | Pin            |                  |
| 36        | 1              | 12295200/0     | Mutter    | Nut            |                  |
| 37        | 1              | 12156602/0     | Mutter    | Nut            |                  |
| 38        | 2              | 25670008/1     | Bricka    | Washer         |                  |
| 39        | 1              | 12156602/0     | Mutter    | Nut            |                  |
| 41        | 1              | 82000385/0     | Axel      | Axle           |                  |
| 42        | 2              | 27546015/1     | Plåt      | Plate          |                  |
| 43        | 4              | 12731350/0     | Skruv     | Screw          |                  |
| 44        | 1              | 25840024/0     | Stång     | Tie Rod        |                  |
| 45        | 1              | 25670008/1     | Bricka    | Washer         |                  |
| 46        | 1              | 24487998/0     | Låsnål    | Cotter Pin     |                  |
| 47        | 1              | 25510098/0     | Sprint    | Pin            |                  |
| 48        | 1              | 12295200/0     | Mutter    | Nut            |                  |
| 49        | 1              | 12156602/0     | Mutter    | Nut            |                  |
| 50        | 2              | 25670008/1     | Bricka    | Washer         |                  |
| 51        | 1              | 12156602/0     | Mutter    | Nut            |                  |
| 52        | 1              | 25840025/0     | Stång     | Tie Rod        |                  |
| 53        | 1              | 25670008/1     | Bricka    | Washer         |                  |
| 54        | 1              | 24487998/0     | Låsnål    | Cotter Pin     |                  |
| 55        | 1              | 25510090/0     | Sprint    | Pin            |                  |
| 56        | 1              | 12295200/0     | Mutter    | Nut            |                  |
| 57        | 1              | 12156602/0     | Mutter    | Nut            |                  |
| 58        | 2              | 25670008/1     | Bricka    | Washer         |                  |
| 59        | 1              | 12156602/0     | Mutter    | Nut            |                  |





**Estate Senator Pro HST 13 - Model Year 2010**

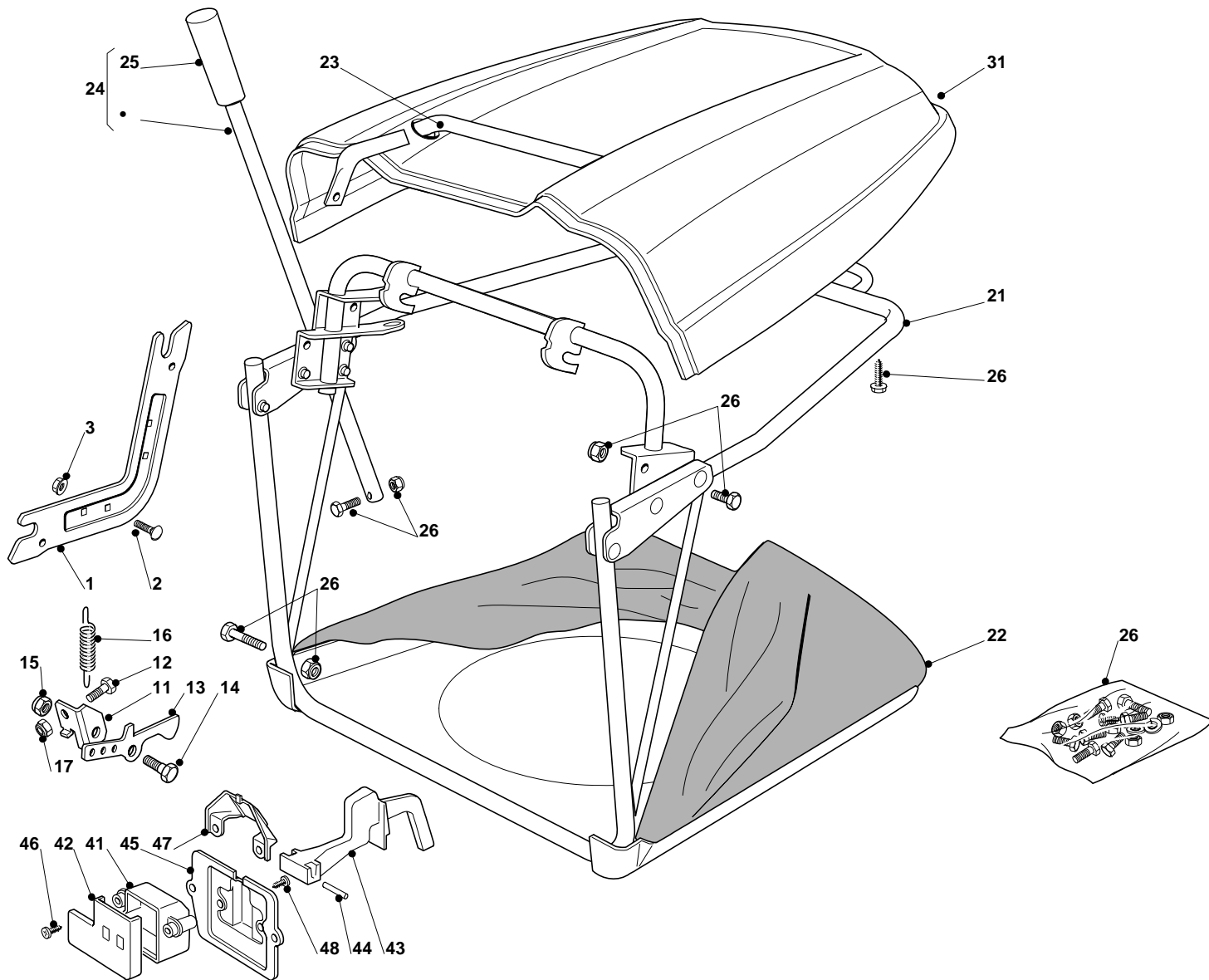
| Pos.<br>Fig. | Antal<br>Quantity | Art No<br>Part No | Benämning | Description | Anmärkning<br>Notes |
|--------------|-------------------|-------------------|-----------|-------------|---------------------|
|              |                   |                   |           |             |                     |





## Estate Senator Pro HST 13 - Model Year 2010

| Pos. Fig. | Antal Quantity | Art No Part No | Benämning     | Description                  | Anmärkning Notes |
|-----------|----------------|----------------|---------------|------------------------------|------------------|
| 1         | 1              | 82564075/0     | Plate         | Plate                        |                  |
| 2         | 1              | 82207202/0     | Fläns         | Flange Ass.Y (6÷10)          |                  |
| 3         | 1              | 25020802/0     | Axel          | Shaft                        |                  |
| 4         | 1              | 25207200/0     | Knivaxel      | Blade Shaft Support          |                  |
| 5         | 2              | 19216032/0     | Kullager      | Bearing                      |                  |
| 6         | 1              | 25160501/0     | Dammskydd     | Dust Cover                   |                  |
| 7         | 1              | 12609260/0     | Seegerring    | Seeger                       |                  |
| 8         | 1              | 82207203/0     | Fläns         | Right Flange Ass.Y (9÷13)    |                  |
| 9         | 1              | 25020803/0     | Axel          | Shaft                        |                  |
| 10        | 1              | 25207200/0     | Knivaxel      | Blade Shaft Support          |                  |
| 11        | 2              | 19216032/0     | Kullager      | Bearing                      |                  |
| 12        | 1              | 25160501/0     | Dammskydd     | Dust Cover                   |                  |
| 13        | 1              | 12609260/0     | Seegerring    | Seeger                       |                  |
| 14        | 2              | 12139480/0     | Kil           | Key                          |                  |
| 15        | 6              | 12818700/0     | Skruv         | Screw                        |                  |
| 16        | 6              | 12154210/0     | Mutter        | Nut                          |                  |
| 17        | 2              | 25601563/0     | Remskiva      | Pulley                       |                  |
| 18        | 2              | 25670007/0     | Bricka        | Washer                       |                  |
| 19        | 2              | 12583500/0     | Låsbricka     | Grower                       |                  |
| 20        | 2              | 12793102/0     | Skruv         | Screw                        |                  |
| 21        | 1              | 25160007/0     | Distans       | Spacer                       |                  |
| 22        | 1              | 25670007/0     | Bricka        | Washer                       |                  |
| 23        | 1              | 25601555/0     | Remskiva      | Pulley                       |                  |
| 24        | 1              | 12691115/0     | Skruv         | Screw                        |                  |
| 25        | 1              | 12523060/0     | Bricka        | Washer                       |                  |
| 26        | 1              | 12155000/0     | Mutter        | Nut                          |                  |
| 27        | 1              | 35065701/0     | Drivrem       | Belt                         |                  |
| 31        | 1              | 82318141/2     | Arm           | Lever                        |                  |
| 32        | 1              | 12691700/0     | Skruv         | Screw                        |                  |
| 33        | 2              | 12523070/0     | Bricka        | Washer                       |                  |
| 34        | 2              | 22672152/0     | Bricka        | Washer                       |                  |
| 35        | 1              | 12155000/0     | Mutter        | Nut                          |                  |
| 36        | 1              | 25601564/0     | Remskiva      | Pulley                       |                  |
| 37        | 1              | 19216033/1     | Kullager      | Bearing                      |                  |
| 38        | 1              | 12610800/0     | Seegerring    | Seeger                       |                  |
| 39        | 1              | 12609200/0     | Seegerring    | Seeger                       |                  |
| 40        | 1              | 82004618/0     | Kabel         | Wire                         |                  |
| 41        | 1              | 82774215/2     | Klämma        | Clamp                        |                  |
| 42        | 1              | 12792611/0     | Skruv         | Screw                        |                  |
| 43        | 1              | 12293201/0     | Mutter        | Nut                          |                  |
| 51        | 2              | 12139100/0     | Kil           | Key                          |                  |
| 52        | 2              | 25463200/0     | Knivfäste     | Blade Hub                    |                  |
| 53a       | 1              | 82004354/0     | Kniv          | Right Blade Mulching, Winged |                  |
| 54a       | 1              | 82004353/0     | Kniv          | Left Blade Mulching, Winged  |                  |
| 57        | 2              | 22160400/0     | Bricka        | Elastic Washer               |                  |
| 58        | 2              | 12523080/0     | Bricka        | Washer                       |                  |
| 59        | 1              | 12735695/1     | Skruv         | Screw                        |                  |
| 60        | 1              | 12735694/0     | Skruv         | Screw                        |                  |
| 61        | 1              | 82000535/0     | Equalizer Rod | Equalizer Rod                |                  |
| 62        | 1              | 82000533/0     | Equalizer Rod | Equalizer Rod                |                  |
| 63        | 4              | 25670008/1     | Bricka        | Washer                       |                  |
| 64        | 2              | 12156602/0     | Mutter        | Nut                          |                  |
| 65        | 2              | 25670008/1     | Bricka        | Washer                       |                  |
| 66        | 2              | 24487998/0     | Låsnål        | Cotter Pin                   |                  |

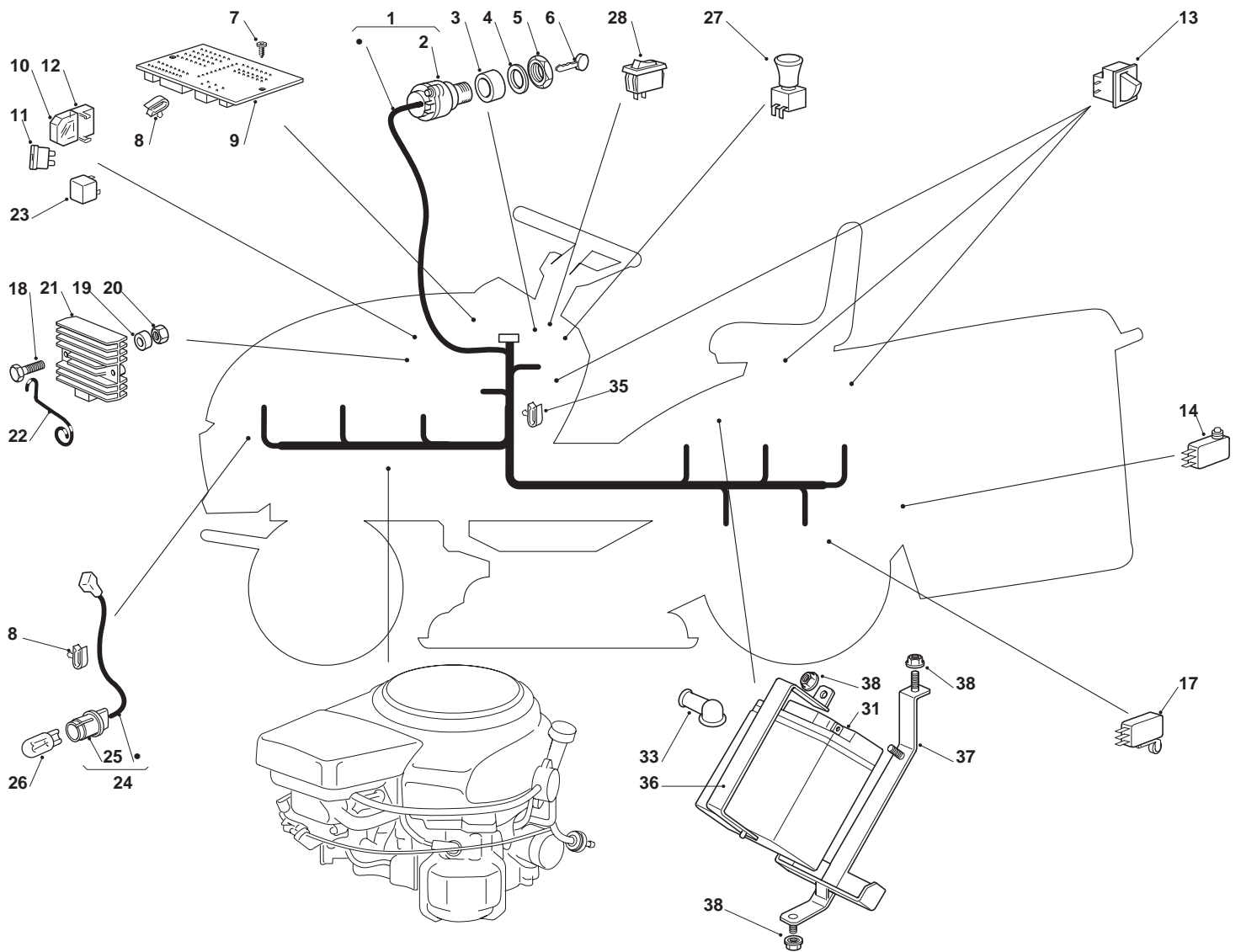






## Estate Senator Pro HST 13 - Model Year 2010

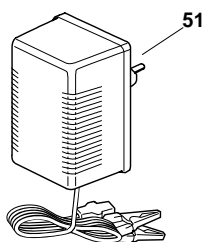
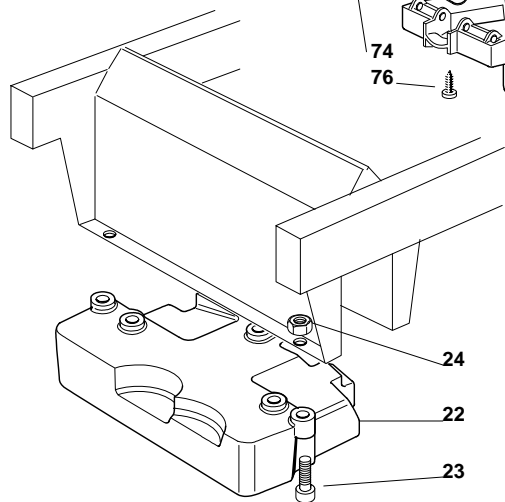
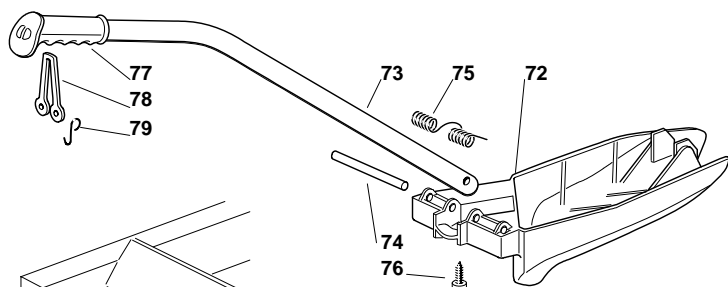
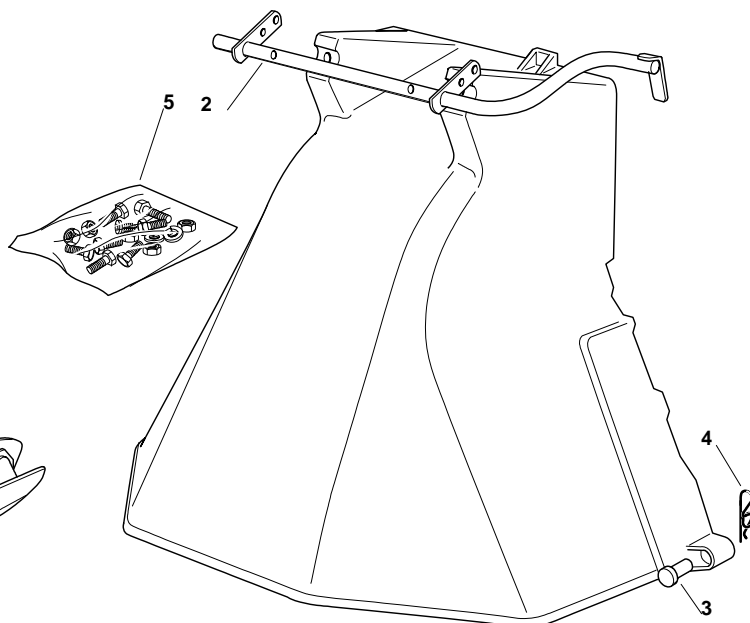
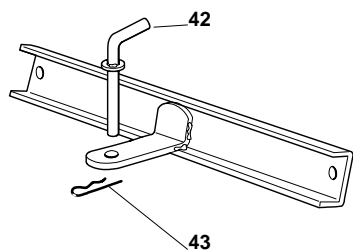
| Pos. Fig. | Antal Quantity | Art No Part No | Benämning            | Description                 | Anmärkning Notes |
|-----------|----------------|----------------|----------------------|-----------------------------|------------------|
| 1         | 2              | 25785275/0     | Stöd                 | Support                     |                  |
| 2         | 4              | 12818690/0     | Skruv                | Screw                       |                  |
| 3         | 4              | 12293201/0     | Mutter               | Nut                         |                  |
| 11        | 1              | 25755031/0     | Fästvinkel           | Bracket                     |                  |
| 12        | 1              | 12789000/0     | Skruv                | Screw                       |                  |
| 13        | 1              | 25774315/0     | Klämma               | Bracket                     |                  |
| 14        | 1              | 25510080/0     | Sprint               | Pin                         |                  |
| 15        | 1              | 12292102/0     | Mutter               | Nut                         |                  |
| 16        | 1              | 22450432/0     | Fjäder               | Spring                      |                  |
| 17        | 1              | 12154330/0     | Mutter               | Nut                         |                  |
| 21        | 1              | 82800111/0     | Chassi               | Front Frame                 |                  |
| 22        | 1              | 82105973/0     | Uppsamlare           | Grasscatcher                |                  |
| 23        | 1              | 82394003/0     | Handtag              | Front Handle                |                  |
| 24        | 1              | 82869023/0     | Rör                  | Rod                         |                  |
| 25        | 1              | 25394508/0     | Handtag              | Handle                      |                  |
| 26        | 1              | 82180048/0     | Skruvsats            | Screws Outfit               |                  |
| 31        | 1              | 25110319/0     | Kåpa                 | Grass-Catcher Cover, Yellow |                  |
| 41        | 1              | 25600041/0     | Skydd                | Micro Protection            |                  |
| 42        | 1              | 25600042/0     | Överbelastningsskydd | Protection Cover            |                  |
| 43        | 1              | 25318124/0     | Arm                  | Lever                       |                  |
| 44        | 1              | 12400030/0     | Stift                | Pin                         |                  |
| 45        | 1              | 25785272/0     | Knivskydd            | Micro Protection            |                  |
| 46        | 1              | 12728510/0     | Skruv                | Screw                       |                  |
| 47        | 1              | 25600048/0     | Överbelastningsskydd | Protection Cover            |                  |
| 48        | 2              | 12735110/0     | Skruv                | Screw                       |                  |





## Estate Senator Pro HST 13 - Model Year 2010

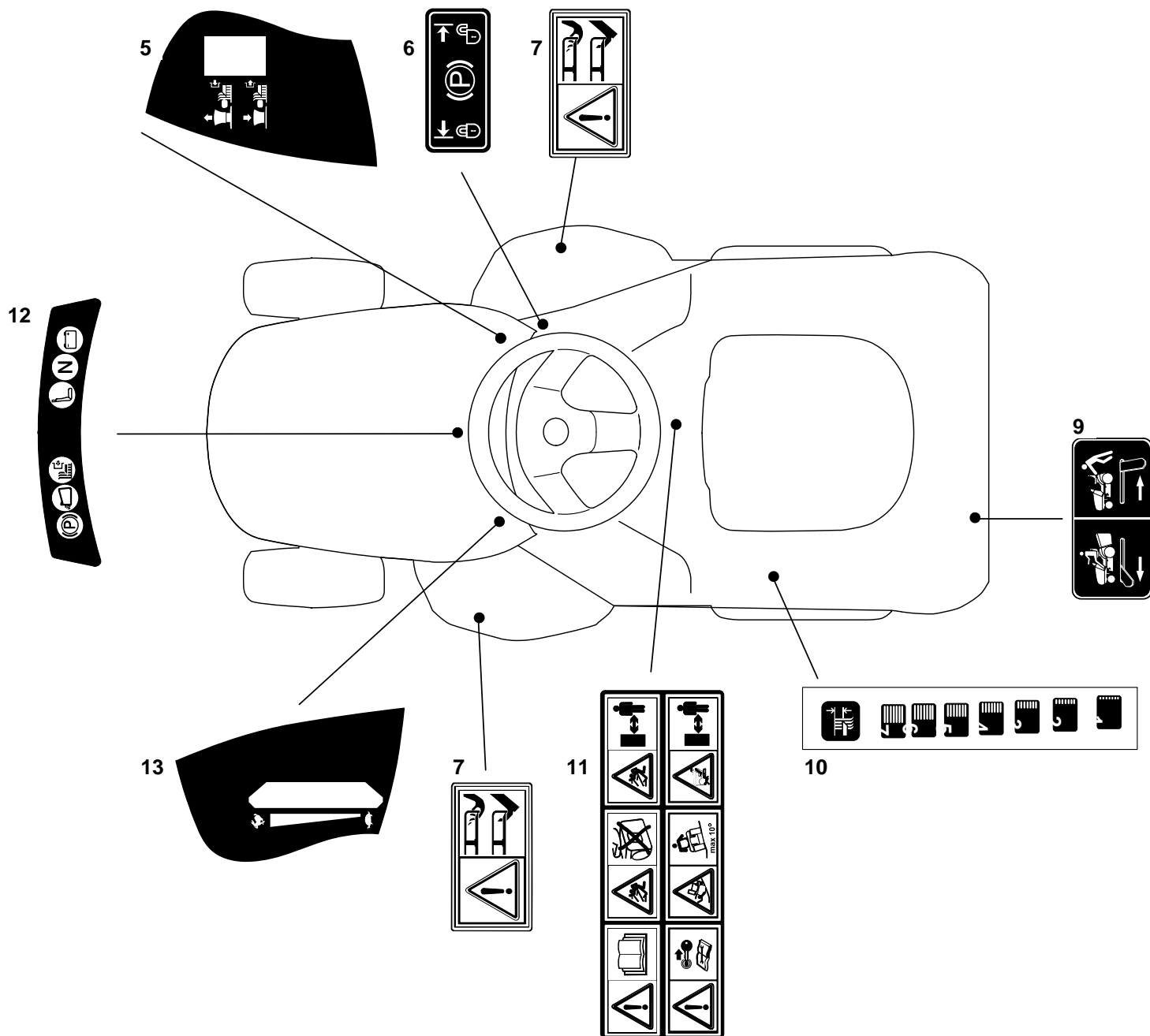
| Pos. Fig. | Antal Quantity | Art No Part No | Benämning              | Description             | Anmärkning Notes |
|-----------|----------------|----------------|------------------------|-------------------------|------------------|
| 1         | 1              | 182040154/0    | Kabel                  | Cables Ass.Y            |                  |
| 2         | 1              | 18450072/0     | Brytare                | Starting Switch         |                  |
| 3         | 1              | 18550136/0     | Distans                | Spacer                  |                  |
| 4         | 1              | 18550135/0     | Bricka                 | Washer                  |                  |
| 5         | 1              | 18400862/0     | Ringmutter             | Ringnut                 |                  |
| 6         | 1              | 18210022/0     | Starting Key           | Starting Key            |                  |
| 7         | 3              | 12727810/0     | Skruv                  | Screw                   |                  |
| 8         | 2              | 33320506/0     | Kabelhållare           | Fairled                 |                  |
| 9         | 1              | 125722430/1    | Electronic Card        | Electronic Card         |                  |
| 9         | 1              | 125722431/0    | Electronic Card 6 Led  | Electronic Card 6 Led   |                  |
| 10        | 2              | 33215000/0     | Kåpa                   | Cover                   |                  |
| 11        | 1              | 33340036/0     | Säkring                | Fuse 25 A               |                  |
| 11        | 1              | 33340040/0     | Säkring                | Fuse 10 A               |                  |
| 12        | 2              | 33500007/0     | Säkring                | Fuse Carrier            |                  |
| 13        | 3              | 119410615/0    | Micro                  | Micro                   |                  |
| 14        | 1              | 19410605/1     | Brytare                | Full Grasscat. Microsw. |                  |
| 15        | 1              | 19410610/0     | Neutral Switch (Mech.) | Neutral Switch (Mech.)  |                  |
| 16        | 1              | 25065026/0     | Kabel                  | Cable (Mech.)           |                  |
| 18        | 2              | 12815221/0     | Skruv                  | Screw                   |                  |
| 19        | 2              | 22170950/0     | Distans                | Spacer                  |                  |
| 20        | 2              | 12292102/0     | Mutter                 | Nut                     |                  |
| 21        | 1              | 19410610/0     | Neutral Switch (Mech.) | Neutral Switch (Mech.)  |                  |
| 22        | 1              | 27430561/0     | Fjäder                 | Spring                  |                  |
| 23        | 1              | 33567000/0     | Relay                  | Relay                   |                  |
| 24        | 1              | 82040070/0     | Kabel                  | Cable                   |                  |
| 24        | 1              | 82040073/0     | Kabel                  | Cable                   |                  |
| 25        | 2              | 33500030/0     | Lamp Holder            | Lamp Holder             |                  |
| 26        | 2              | 18459100/0     | Farilamp For Lights    | Farilamp For Lights     |                  |
| 27        | 1              | 18450068/0     | Kopplingshus           | Clutch Switch           |                  |
| 28        | 1              | 18450060/1     | Farilamp Switch        | Farilamp Switch         |                  |
| 31        | 1              | 18120002/1     | Batteri                | Battery                 |                  |
| 33        | 1              | 18564861/1     | Tätningshylsa          | Protection              |                  |
| 35        | 9              | 33320506/0     | Kabelhållare           | Fairled                 |                  |
| 36        | 1              | 27772099/1     | Klämma                 | Clamp                   |                  |
| 37        | 1              | 382785191/0    | Batteristöd            | Battery Support         |                  |
| 38        | 3              | 12155000/0     | Mutter                 | Nut                     |                  |
| 41        | 1              | 382394853/0    |                        | Switch Ass.Y (Hydro)    |                  |
| 42        | 1              | 19410609/0     | Neutral Switch (Hydro) | Neutral Switch (Hydro)  |                  |
| 43        | 2              | 12735602/0     | Skruv                  | Screw                   |                  |
| 44        | 2              | 12581100/0     | Bricka                 | Grower                  |                  |
| 45        | 2              | 12290791/0     | Mutter                 | Nut                     |                  |
| 46        | 2              | 12735110/0     | Skruv                  | Screw                   |                  |





## Estate Senator Pro HST 13 - Model Year 2010

| Pos. Fig. | Antal Quantity | Art No Part No | Benämning       | Description            | Anmärkning Notes |
|-----------|----------------|----------------|-----------------|------------------------|------------------|
| 2         | 1              | 82869035/0     | Support         | Support                |                  |
| 3         | 2              | 25510022/0     | Sprint          | Pin                    |                  |
| 4         | 2              | 24487998/0     | Låsnål          | Cotter Pin             |                  |
| 5         | 1              | 82180062/0     | Skruvsats       | Screws Outfit          |                  |
| 22        | 1              | 25519997/1     | Weight          | Weight                 |                  |
| 23        | 3              | 12760520/0     | Skruv           | Screw                  |                  |
| 24        | 3              | 12155000/0     | Mutter          | Nut                    |                  |
| 42        | 1              | 25510021/1     | Sprint          | Pin                    |                  |
| 43        | 1              | 24487999/0     | Låsnål          | Cotter Pin             |                  |
| 51        | 1              | 182180090/0    | Batteriladdare  | Battery Charger        |                  |
| 51        | 1              | 182180091/0    | Batteriladdare  | Battery Charger (U.K.) |                  |
| 72        | 1              | 25140093/0     | Deflektor       | Deflector              |                  |
| 73        | 1              | 25394007/0     | Styre           | Handle                 |                  |
| 74        | 1              | 25510077/0     | Sprint          | Pin                    |                  |
| 75        | 1              | 25430245/0     | Fjäder          | Spring                 |                  |
| 76        | 1              | 12735410/0     | Skruv           | Screw                  |                  |
| 77        | 1              | 25280000/1     | Handtag         | Handgrip               |                  |
| 78        | 1              | 25840011/1     | Elastic Tie-Rod | Elastic Tie-Rod        |                  |
| 79        | 2              | 25253004/0     | Hake            | Hook                   |                  |





## Estate Senator Pro HST 13 - Model Year 2010

| Pos. Fig. | Antal Quantity | Art No Part No | Benämning | Description           | Anmärkning Notes |
|-----------|----------------|----------------|-----------|-----------------------|------------------|
| 1         | 1              | 14361440/0     | Dekal     | Label                 |                  |
| 2         | 1              | 25420019/0     | Dekal     | Label                 |                  |
| 3         | 1              | 25420018/0     | Dekal     | Label                 |                  |
| 4         | 1              | 14361438/0     | Dekal     | Label                 |                  |
| 5         | 1              | 14361439/0     | Dekal     | Label                 |                  |
| 6         | 1              | 14361452/0     | Dekal     | Label                 |                  |
| 7         | 2              | 114356699/1    | Dekal     | Label                 |                  |
| 8         | 1              | 14361447/0     | Dekal     | Label (Mech.)         |                  |
| 9         | 1              | 14361451/0     | Dekal     | Label (Hydro)         |                  |
| 10        | 1              | 14361441/0     | Dekal     | Label                 |                  |
| 11        | 1              | 14361553/0     | Dekal     | Label                 |                  |
| 12        | 1              | 125420020/0    | Dekal     | Label                 |                  |
| 13        | 1              | 114364616/0    | Dekal     | Label (Honda GXV 390) |                  |