

Genuine Spare Parts

www.stiga.com

TURBO EXCEL 50 S H AVS Model Year 2011

- Use GLOBAL GARDEN PRODUCT Genuine Spare Parts specified in the parts list for repair and/or replacement.
- The contents described in the parts list may change due to improvement.
- The drawings of the spare parts are only indicative and might not represent the part in question exactly.
- The indications "right" - "left" - "front" - "rear" refer to the position of the operator when using the machine.
- When placing orders of parts for repair and/or replacement, make sure that the illustrated parts list is the one applying to the machine's year of manufacture, as shown on the identification plate attached to the machine.

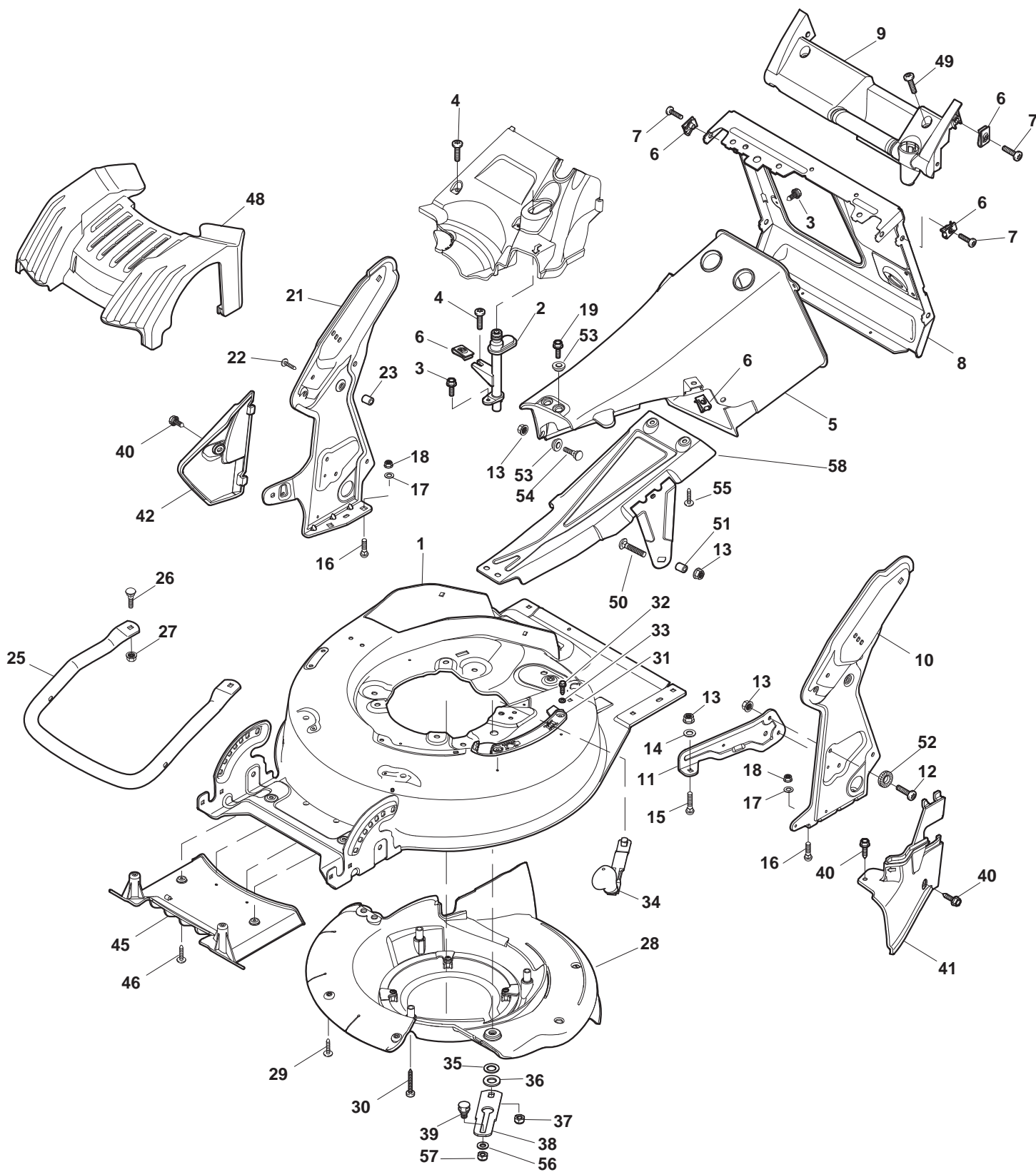
COPYRIGHT by GLOBAL GARDEN PRODUCTS

All rights reserved. No part of this material may be reproduced or transmitted, in any form or by any means, electronic or mechanical, including photocopying, recording or by any information storage and retrieval system, without permission in writing from GLOBAL GARDEN PRODUCTS.





TURBO EXCEL 50 S H AVS

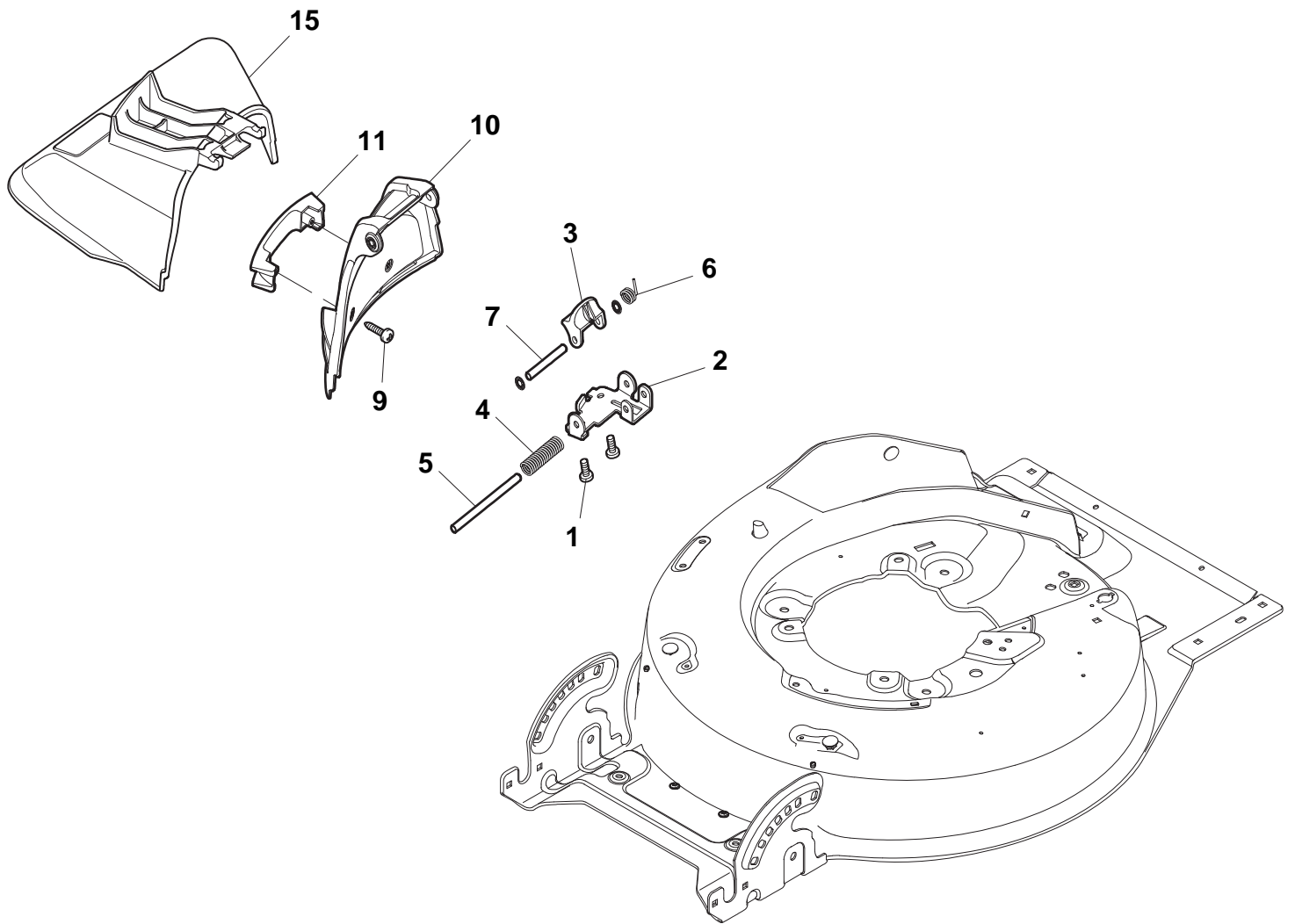




TURBO EXCEL 50 S H AVS

Pos. Fig.	Antal Quantity	Art No Part No	Benämning	Description	Anmärkning Notes
1	1	381003865/0	Chassi-gul	Deck Yellow	
2	1	322034001/1	Slanganslutning	Washing Connection	
3	5	125943004/0	Skruv	Screw	
4	2	112727802/0	Skruv	Screw	
5	1	322108297/0	Inmatningstratt-gul	Conveyor Yellow	
6	12	112437507/0	Plåt	Plate	
7	8	112727802/0	Skruv	Screw	
8	1	381545321/1	Platta	Rear Plate	
9	1	322785282/0	Fäste	Support	
10	1	381545333/0	Fäste-vä	Bracket, L	
11	1	322545191/0	Fäste	Support	
12	2	112727803/0	Skruv	Screw	
13	4	12154510/0	Mutter	Nut	
14	1	12521330/0	Bricka	Washer	
15	1	12815200/0	Skruv	Screw	
16	4	12818690/0	Skruv	Screw	
17	4	12521350/0	Bricka	Washer	
18	4	12155000/0	Mutter	Nut	
19	2	12729601/1	Skruv	Screw	
21	1	381545331/0	Fäste-hö	Bracket, R	
22	2	112735662/1	Skruv	Screw	
23	2	122534128/0	Remstyrning	Pin	
25	2	381393701/1	Skydd	Protection	
26	2	12815205/0	Skruv	Screw	
27	2	12154510/0	Mutter	Nut	
28	1	381102202/0	Remskydd	Protection Mulching	
29	2	125943004/0	Skruv	Screw	
30	3	112735115/0	Skruv	Screw	
31	1	322500052/2	Glidblock	Shoe	
32	2	12731580/0	Skruv	Screw	
33	2	12521331/0	Bricka	Washer	
34	1	381003338/0	Arm	Lever	
35	1	21660100/0	Bricka	Washer	
36	1	12521370/0	Bricka	Washer	
37	1	12154210/0	Mutter (20 Hp)	Nut (20 Hp)	
38	1	322320009/0	Arm	Lever	
39	1	122042022/0	Hjulaxel-bakre	Bush	
40	3	125943004/0	Skruv	Screw	
41	1	322109826/0	Skydd	Guard Black	
42	1	322109825/0	Skydd	Guard Black	
45	1	322500100/0	Air Intake Grill	Air Intake Grill	
46	6	112728706/0	Skruv	Screw	
48	1	322226138/0	Frontkåpa-svart	Mask, Black	
49	2	112727801/0	Skruv	Screw	
50	2	112815270/0	Skruv	Screw	
51	2	122671664/0	Distans	Spacer	
52	2	12540040/0	Bricka	Washer	
53	6	325160039/0	Distans	Spacer	
54	1	112794986/0	Skruv	Screw	
55	2	112727799/0	Skruv	Screw	
56	1	12521350/0	Bricka	Washer	
57	1	12155000/0	Mutter	Nut	
58	1	381608501/0	Trådbygel	Stiffening Lower	

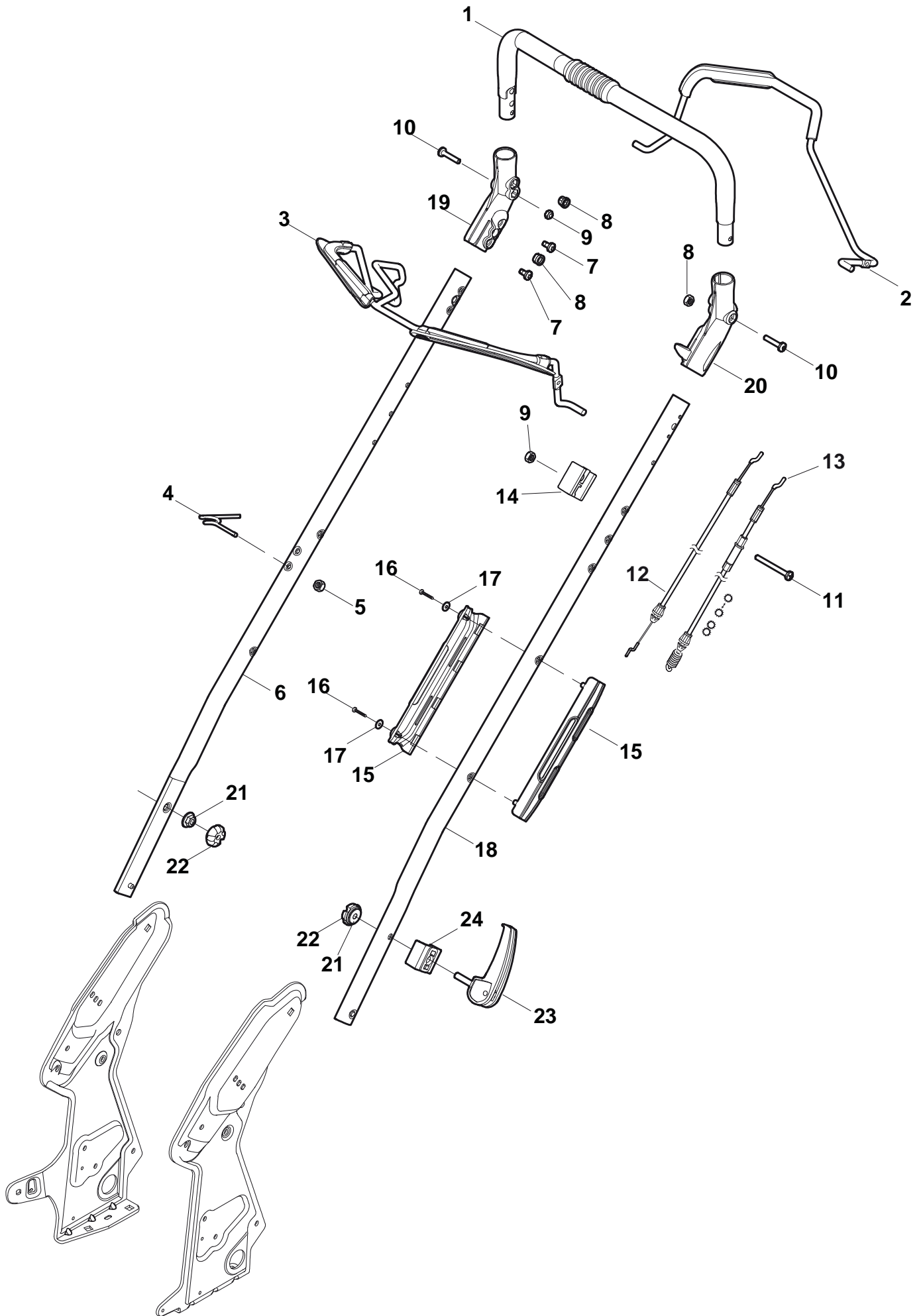
TURBO EXCEL 50 S H AVS



**TURBO EXCEL 50 S H AVS**

Pos. Fig.	Antal Quantity	Art No Part No	Benämning	Description	Anmärkning Notes
1	2	112727803/0	Skruv	Screw	
2	1	322806635/1	Vridpunkt	Fulcrum Pin	
3	1	322783010/1	Tryckring	Button	
4	1	122450456/0	Fjäder	Spring	
5	1	122517864/0	Stift	Pin	
6	1	122450457/0	Fjäder	Spring	
7	1	122517866/0	Stift	Pin	
9	2	112728706/0	Skruv	Screw	
10	1	322600200/0	Output skydd	Ejection Guard	
11	1	322393633/0	Handtag	Handle	
15	1	322108289/0	Output skydd	Ejection Guard	

TURBO EXCEL 50 S H AVS

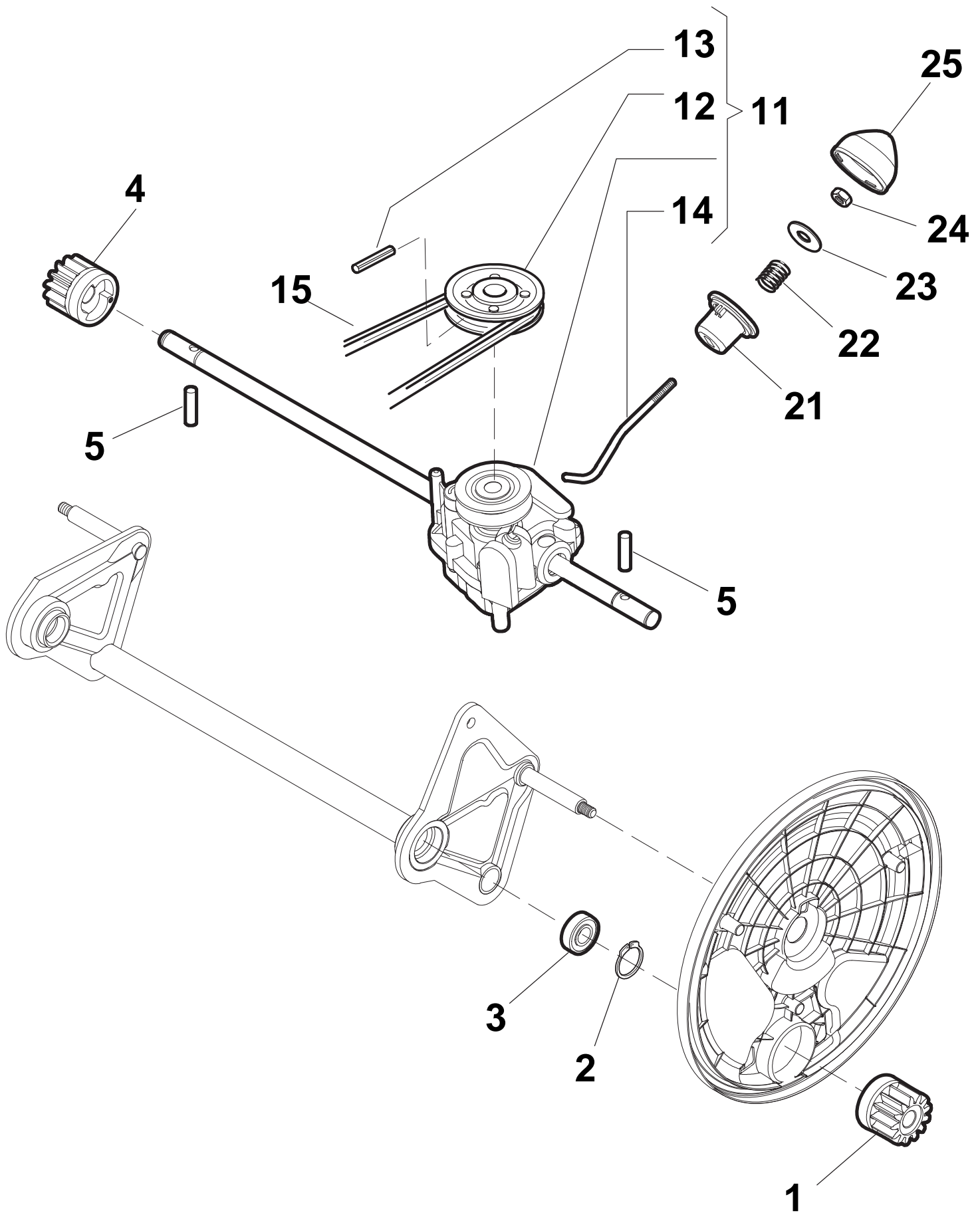




TURBO EXCEL 50 S H AVS

Pos. Fig.	Antal Quantity	Art No Part No	Benämning	Description	Anmärkning Notes
1	1	381006670/2	Handtag	Handgrip	
2	1	381003349/0	Reglagebygel-drivning	Lever, Driving	
3	1	381003344/0	Reglagebygel	Lever, Engine Brake	
4	1	22430309/0	Fjäder	Guide Spring	
5	1	12154330/0	Mutter	Nut	
6	1	381006895/0	Styre-överdel vä	Handle Black, R	
7	4	112735662/1	Skruv	Screw	
8	4	322041967/0	Bussning	Bush	
9	3	12154510/0	Mutter	Nut	
10	2	112728721/0	Skruv	Screw	
11	1	12727784/0	Skruv	Screw	
12	1	181030066/0	Motorbromswire	Cable, Thread Eng. Brake	
13	1	381030068/0	Kopplingswire	Cable, Rear Drive	
14	1	322551639/0	Plåt	Plate	
15	1	322806644/0	Skydd	Protection	
16	2	12727812/0	Skruv	Screw	
17	2	112523000/1	Bricka	Washer	
18	1	381006897/0	Styre-överdel hö	Handle Black, L	
19	1	322488301/0	Stöd-hö	Support , R	
20	1	322488303/0	Stöd-vä	Support, L	
21	2	112154220/0	Mutter	Nut	
22	2	322399835/0	Knopp	Knob	
23	2	381003253/0	Handtag	Handle	
24	2	322680017/0	Fäste	Support	

TURBO EXCEL 50 S H AVS

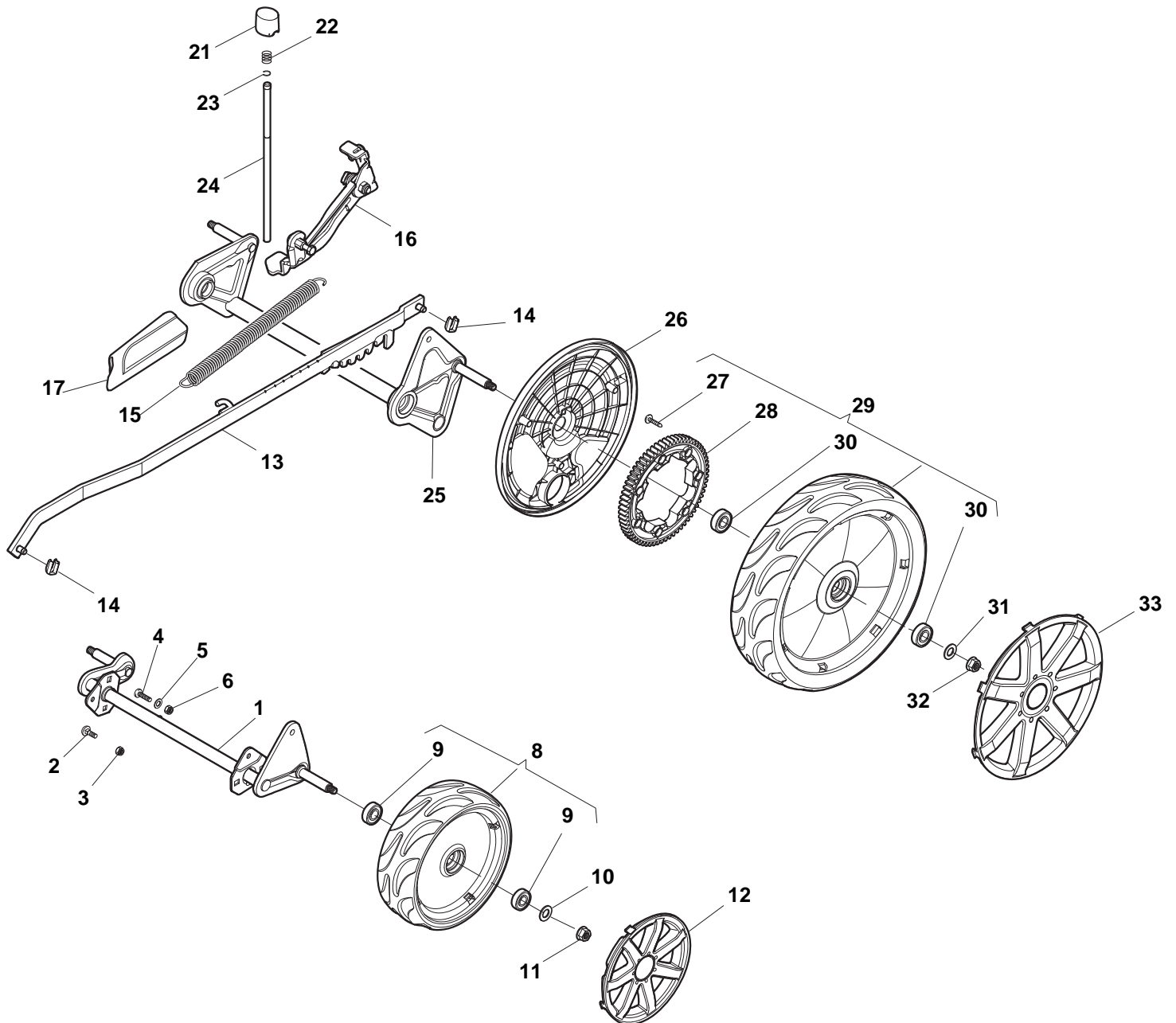




TURBO EXCEL 50 S H AVS

Pos. Fig.	Antal Quantity	Art No Part No	Benämning	Description	Anmärkning Notes
1	1	122570132/0	Drev hö	Pinion L	
2	4	12608600/0	Seeger	Seeger	
3	2	19216035/0	Låsring	Bearing	
4	1	122570131/0	Stift	Pinion R	
5	2	22753000/0	Stift	Pin	
11	1	181003106/0	Transmission	Gear Box	
12	1	122601908/1	Drev vä	Pulley	
13	1	12645705/0	Stift	Pin	
14	1	122033290/0	Justerstång	Adjustment Rod	
15	1	135064391/0	Drivrem	Belt X 10	
21	1	22041957/1	Bussning	Bush	
22	1	22450063/0	Fjäder	Spring	
23	1	22680009/0	Bricka	Washer	
24	1	12154510/0	Mutter	Nut	
25	1	322109550/0	Lock	Cap	

TURBO EXCEL 50 S H AVS

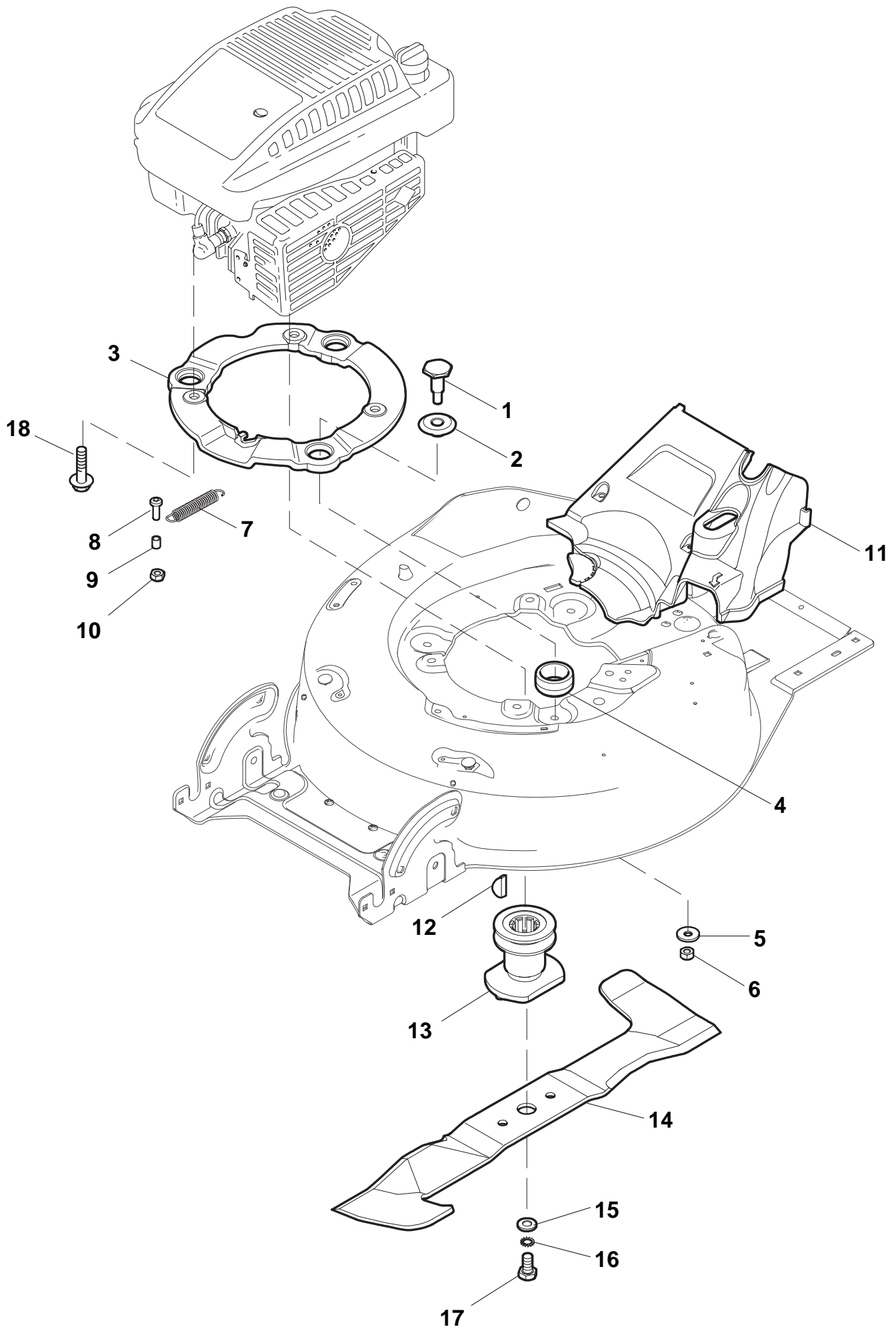




TURBO EXCEL 50 S H AVS

Pos. Fig.	Antal Quantity	Art No Part No	Benämning	Description	Anmärkning Notes
1	1	381002869/1	Hjulaxel-fram	Axle, Front Wheels	
2	4	12815205/0	Skruv	Screw	
3	4	12154510/0	Mutter	Nut	
4	2	112727799/0	Skruv	Screw	
5	2	12523040/0	Bricka	Washer	
6	2	12154510/0	Mutter	Nut	
8	2	381007394/1	Hjul Ø 210	Wheel Ø 210	
9	4	19216035/0	Låsring	Bearing	
10	2	12521350/0	Bricka	Washer	
11	2	12155000/0	Mutter	Nut	
12	2	322110597/0	Navkapsel	Hub Cap	
13	1	381002034/0	Höjdinställn.stång	Rod, Height Adjustment	
14	2	112436051/0	Plåt	Plate	
15	1	122450459/1	Fjäder	Spring	
16	1	381003337/1	Höjdinställningsspak	Lever, Height Adjustment	
17	1	322570202/0	Kåpa	Cover	
21	1	322602012/1	Tryckring	Button	
22	1	122450462/0	Fjäder	Spring	
23	1	12000930/0	Avgasrör	Crown Fastener	
24	1	122033351/1	Justerstång	Rod	
25	1	381002899/0	Hjulaxel-bakre	Axle, Rear Wheels	
26	2	322600179/0	Hjulsydd	Protection, Wheel	
27	6	12728691/0	Skruv	Screw	
28	2	322120113/0	Ringdrev	Ring Gear	
29	2	381007398/1	Hjul Ø 300	Wheel Ø 300	
30	4	19216035/0	Låsring	Bearing	
31	2	12521350/0	Bricka	Washer	
32	2	12155000/0	Mutter	Nut	
33	2	322110598/0	Navkapsel	Hub Cap	

TURBO EXCEL 50 S H AVS

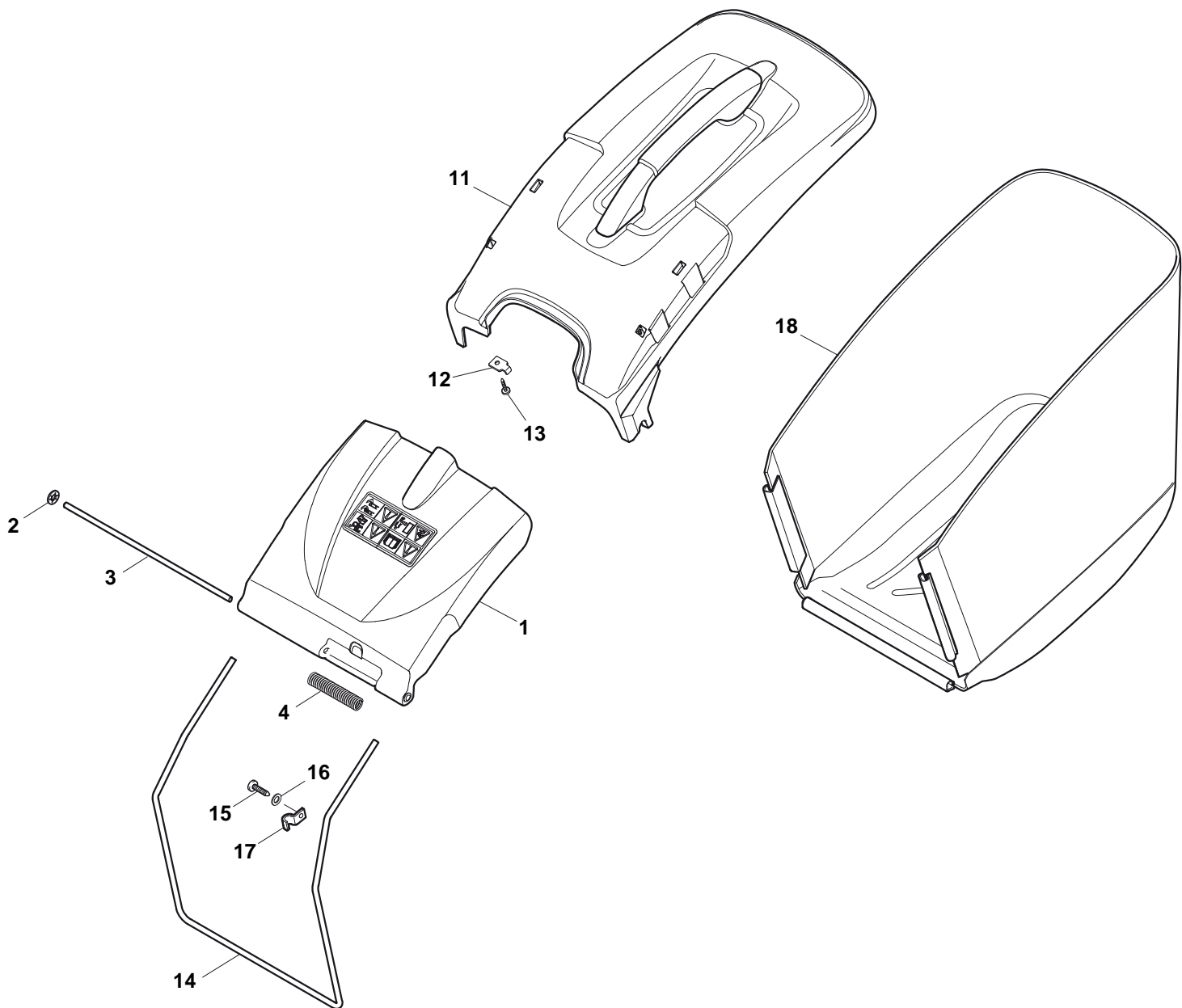




TURBO EXCEL 50 S H AVS

Pos. Fig.	Antal Quantity	Art No Part No	Benämning	Description	Anmärkning Notes
1	3	122519816/0	Stift	Pin	
2	3	22672201/0	Bricka	Washer	
3	1	322207226/0	Fläns	Flange	
4	3	322250014/0	Hylsa	Grommet	
5	3	122170850/0	Distans	Spacer	
6	3	12155000/0	Mutter	Nut	
7	1	122450461/0	Fjäder	Spring	
8	1	112727801/0	Skruv	Screw	
9	1	122170846/0	Distans	Spacer	
10	1	12154510/0	Mutter	Nut	
11	1	322060230/0	Skydd	Protection	
12	1	12139150/0	Kil	Feather, Crankshaft Ø 25	
13	1	122465639/1	Knivfäste Ø 25	Hub With Pulley, Crankshaft Ø 25	
14	1	181004451/0	Kniv	Blade	
15	1	22160400/0	Dammskydd	Dust Cover	
16	1	12523080/0	Bricka	Washer	
17	1	12736815/0	Skruv	Screw	
18	3	112735108/1	Skruv	Screw	

TURBO EXCEL 50 S H AVS





TURBO EXCEL 50 S H AVS

Pos. Fig.	Antal Quantity	Art No Part No	Benämning	Description	Anmärkning Notes
1	1	322600180/3	Lucka	Stone-Guard	
2	2	12604899/0	Låsbricka	Crown Fastener	
3	1	122517863/0	Stift	Pin	
4	1	122450455/1	Fjäder	Spring	
11	1	381486007/0	Uppsamlare-överdel	Grass-Box, Upper	
12	2	322545159/0	Plåt	Plate	
13	2	12728689/0	Skruv	Screw	
14	1	122608542/0	Trådbygel	Stiffening Lower	
15	2	12728689/0	Skruv	Screw	
16	2	12521320/0	Bricka	Washer	
17	2	325774220/0	Plåt	Plate	
18	1	181002302/2	Uppsamlingsäck	Box, Fabric	