

# Genuine Spare Parts

www.stiga.com

## TURBO POWER 50 S B Model Year 2011

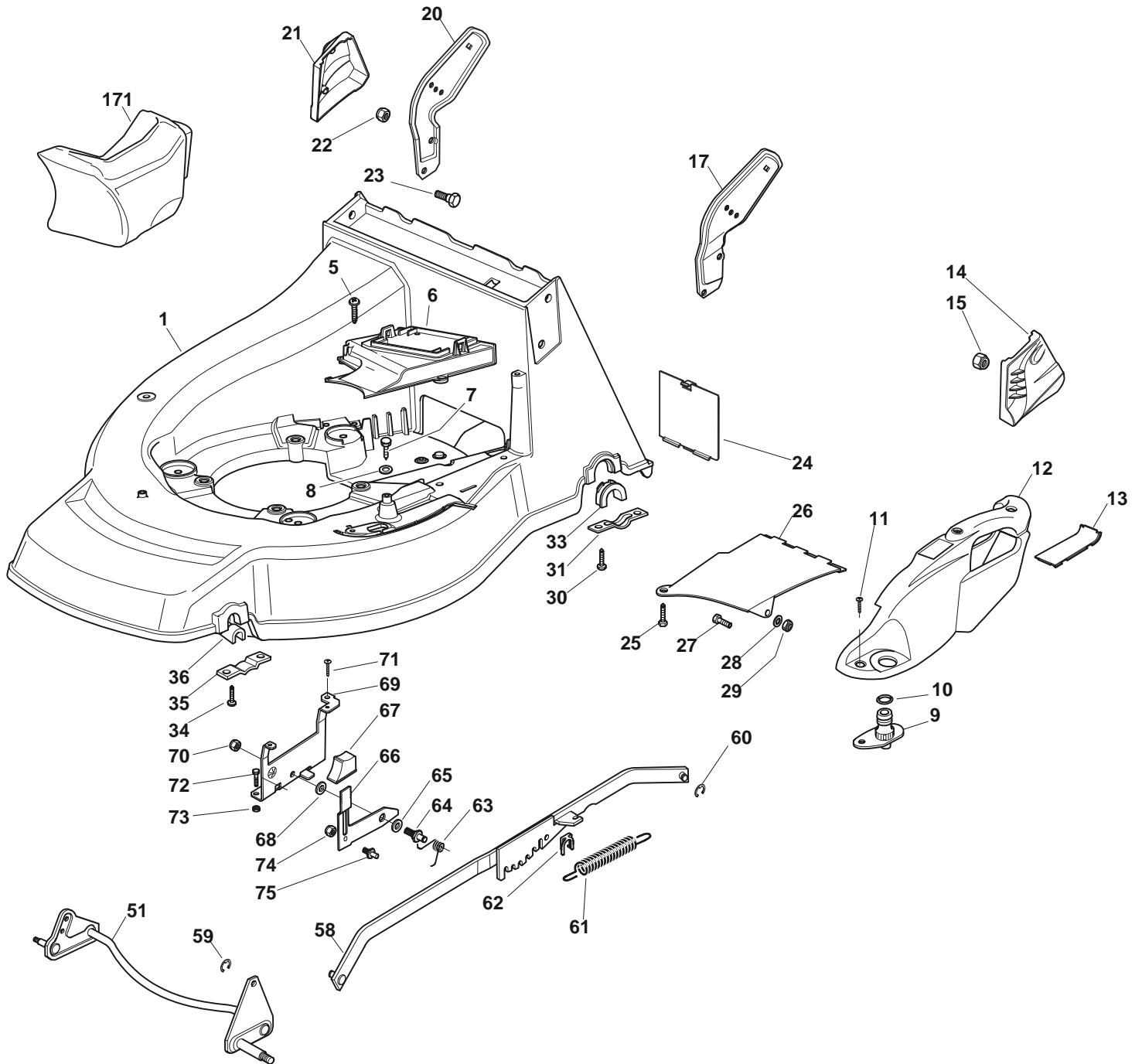
- Use GLOBAL GARDEN PRODUCT Genuine Spare Parts specified in the parts list for repair and/or replacement.
- The contents described in the parts list may change due to improvement.
- The drawings of the spare parts are only indicative and might not represent the part in question exactly.
- The indications "right" - "left" - "front" - "rear" refer to the position of the operator when using the machine.
- When placing orders of parts for repair and/or replacement, make sure that the illustrated parts list is the one applying to the machine's year of manufacture, as shown on the identification plate attached to the machine.

COPYRIGHT by GLOBAL GARDEN PRODUCTS

All rights reserved. No part of this material may be reproduced or transmitted, in any form or by any means, electronic or mechanical, including photocopying, recording or by any information storage and retrieval system, without permission in writing from GLOBAL GARDEN PRODUCTS.



## TURBO POWER 50 S B

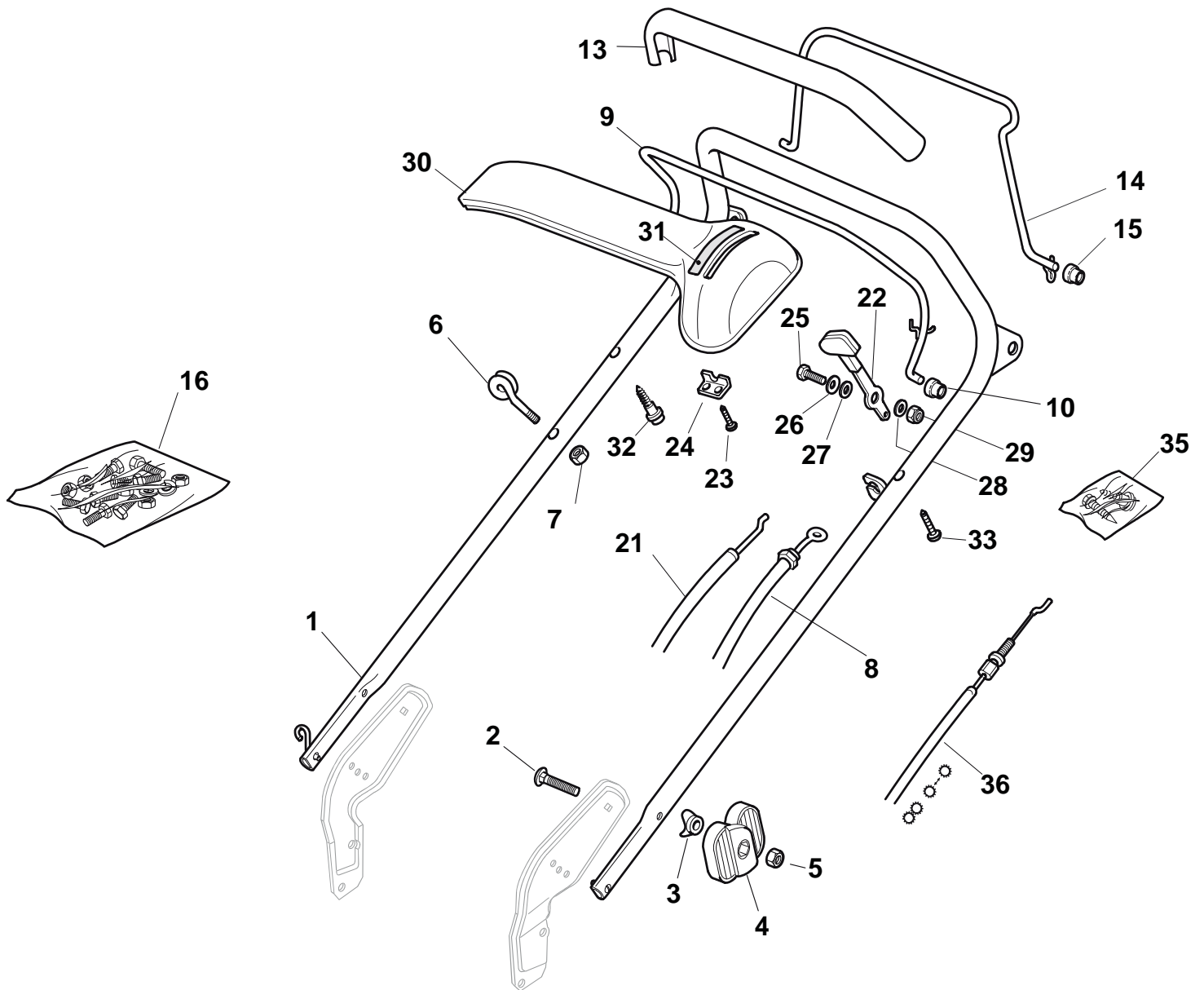




## TURBO POWER 50 S B

| Pos. Fig. | Antal Quantity | Art No Part No | Benämning             | Description              | Anmärkning Notes |
|-----------|----------------|----------------|-----------------------|--------------------------|------------------|
| 1         | 1              | 81003500/0     | Chassi-röd            | Deck Red                 |                  |
| 5         | 2              | 12728522/0     | Skruv                 | Screw                    |                  |
| 6         | 1              | 22060221/0     | Skydd                 | Protection, Belt         |                  |
| 7         | 1              | 12729600/0     | Skruv                 | Screw                    |                  |
| 8         | 2              | 12523040/0     | Bricka                | Washer                   |                  |
| 9         | 1              | 22034000/0     | Hjulaxel-ram          | Washing Connection       |                  |
| 10        | 1              | 19035000/0     | Fläkt                 | Or Ring                  |                  |
| 11        | 3              | 12728520/0     | Skruv                 | Screw                    |                  |
| 12        | 1              | 22060146/0     | Kåpa                  | Deck, Adjustment         |                  |
| 13        | 1              | 22546070/0     | Plåt                  | Plate                    |                  |
| 14        | 1              | 22601003/0     | Skydd                 | Protection               |                  |
| 15        | 2              | 12155000/0     | Mutter                | Nut                      |                  |
| 17        | 1              | 22778397/1     | Fäste-vä              | Bracket, L               |                  |
| 20        | 1              | 22778396/1     | Fäste-hö              | Bracket, R               |                  |
| 21        | 1              | 322601002/1    | Skydd                 | Protection               |                  |
| 22        | 2              | 12155000/0     | Mutter                | Nut                      |                  |
| 23        | 2              | 12793301/0     | Skruv                 | Screw                    |                  |
| 24        | 1              | 22595352/0     |                       | Inspection Door          |                  |
| 25        | 1              | 12729600/0     | Skruv                 | Screw                    |                  |
| 26        | 1              | 22108205/0     | Kil                   | Conveyor                 |                  |
| 27        | 1              | 12789000/0     | Skruv                 | Screw                    |                  |
| 28        | 1              | 12523020/0     | Bricka                | Washer                   |                  |
| 29        | 1              | 12154330/0     | Mutter                | Nut                      |                  |
| 30        | 4              | 12731350/0     | Skruv                 | Screw                    |                  |
| 31        | 2              | 22545147/0     | Plåt                  | Plate                    |                  |
| 33        | 2              | 22038407/0     | Distans               | Brass                    |                  |
| 34        | 4              | 12731350/0     | Skruv                 | Screw                    |                  |
| 35        | 2              | 22545156/0     | Plåt                  | Plate                    |                  |
| 36        | 2              | 22038400/1     | Bussning              | Brass                    |                  |
| 51        | 1              | 81002801/1     | Hjulaxel-ram          | Axle, Front Wheels       |                  |
| 58        | 1              | 81001137/0     | Höjdinställn.stång    | Rod, Height Adjustment   |                  |
| 59        | 1              | 12000930/0     | Avgasrör              | Crown Fastener           |                  |
| 60        | 1              | 12000930/0     | Avgasrör              | Crown Fastener           |                  |
| 61        | 1              | 122446187/0    | Fjäder                | Spring                   |                  |
| 62        | 1              | 112436051/0    | Plåt                  | Plate                    |                  |
| 63        | 1              | 122446176/1    | Fjäder                | Spring                   |                  |
| 64        | 1              | 22517880/1     | Stift                 | Pin                      |                  |
| 65        | 1              | 22672152/0     | Bricka                | Washer                   |                  |
| 66        | 1              | 22322829/1     | Reglagebygel-drivning | Lever, Height Adjustment |                  |
| 67        | 1              | 22602000/0     | Tryckring             | Pushbutton, Lever        |                  |
| 68        | 1              | 22672151/0     | Bricka                | Washer                   |                  |
| 69        | 1              | 22785115/0     | Fäste                 | Support, Height          |                  |
| 70        | 1              | 12155000/0     | Mutter                | Nut                      |                  |
| 71        | 1              | 12729600/0     | Skruv                 | Screw                    |                  |
| 72        | 2              | 12793101/0     | Skruv                 | Screw                    |                  |
| 73        | 2              | 12293201/0     | Mutter                | Nut                      |                  |
| 74        | 1              | 12154510/0     | Mutter                | Nut                      |                  |
| 75        | 1              | 22519746/0     | Stift                 | Pin                      |                  |
| 171       | 1              | 22140224/0     | Deflektor             | Cap                      |                  |

## TURBO POWER 50 S B

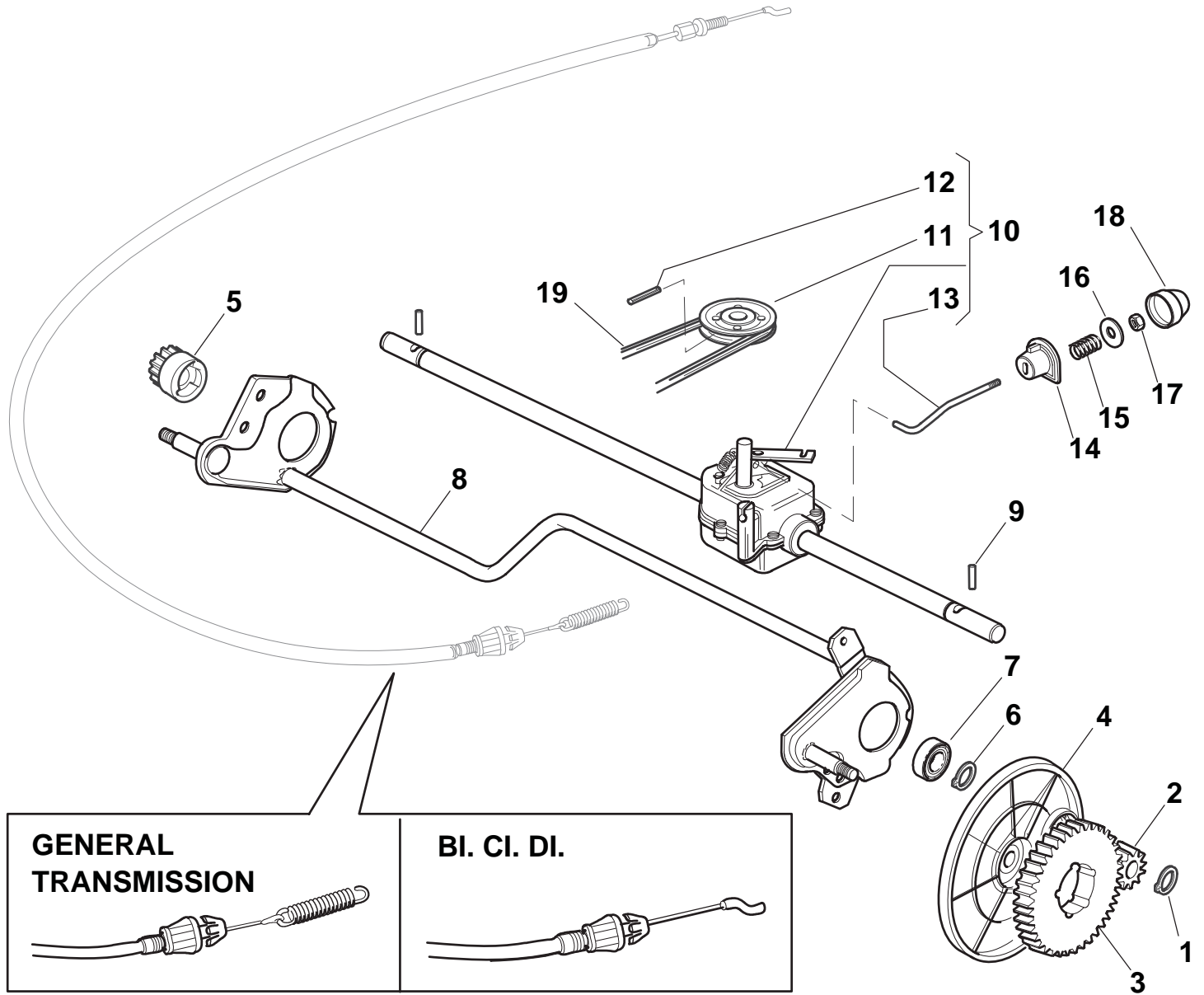




## TURBO POWER 50 S B

| Pos. Fig. | Antal Quantity | Art No Part No | Benämning             | Description                | Anmärkning Notes |
|-----------|----------------|----------------|-----------------------|----------------------------|------------------|
| 1         | 1              | 81006861/0     | Styre-överdel         | Handle, Upper Part         |                  |
| 2         | 2              | 12819120/0     | Skruv                 | Screw                      |                  |
| 3         | 2              | 22680006/1     | Bricka                | Washer                     |                  |
| 4         | 2              | 22399803/0     | Knopp                 | Knob                       |                  |
| 5         | 2              | 12293200/0     | Mutter                | Nut                        |                  |
| 6         | 1              | 22430309/0     | Fjäder                | Guide Spring               |                  |
| 7         | 1              | 12154330/0     | Mutter                | Nut                        |                  |
| 8         | 1              | 81000642/1     | Motorbromswire        | Cable, Thread Engine Brake |                  |
| 9         | 1              | 81003291/3     | Reglagebygel          | Lever, Engine Brake        |                  |
| 10        | 2              | 22041966/0     | Bussning              | Bush                       |                  |
| 11        | 1              | 12728518/0     | Skruv                 | Screw                      |                  |
| 12        | 1              | 22806612/0     | Fäste                 | Support                    |                  |
| 13        | 1              | 22291050/0     | Hylsa                 | Handgrip Black             |                  |
| 14        | 1              | 81003288/1     | Reglagebygel-drivning | Lever, Driving             |                  |
| 15        | 2              | 22041965/1     | Bussning              | Bush                       |                  |
| 16        | 1              | 381008610/1    | Skruvsats             | Outfit, Screws             |                  |
| 21        | 1              | 81007160/0     | Gaswire               | Throttle Cable             |                  |
| 22        | 1              | 81007280/2     | Gasarm                | Lever, Throttle            |                  |
| 23        | 2              | 12735105/0     | Skruv                 | Screw                      |                  |
| 24        | 1              | 22981467/0     | Plåt                  | Plate                      |                  |
| 25        | 1              | 12791500/0     | Skruv                 | Screw                      |                  |
| 26        | 1              | 12530060/0     | Bricka                | Elastic Washer             |                  |
| 27        | 1              | 12523040/0     | Bricka                | Washer                     |                  |
| 28        | 1              | 12523040/0     | Bricka                | Washer                     |                  |
| 29        | 1              | 12154510/0     | Mutter                | Nut                        |                  |
| 30        | 1              | 22120152/0     | Panel                 | Dash Board Yellow          |                  |
| 31        | 1              | 114356906/1    | Dekal                 | Label                      |                  |
| 32        | 1              | 22943006/0     | Skruv                 | Screw                      |                  |
| 33        | 1              | 12728460/0     | Skruv                 | Screw                      |                  |
| 35        | 1              | 81008609/0     | Skruvsats-panel       | Outfit, Dash-Board Screws  |                  |

## TURBO POWER 50 S B

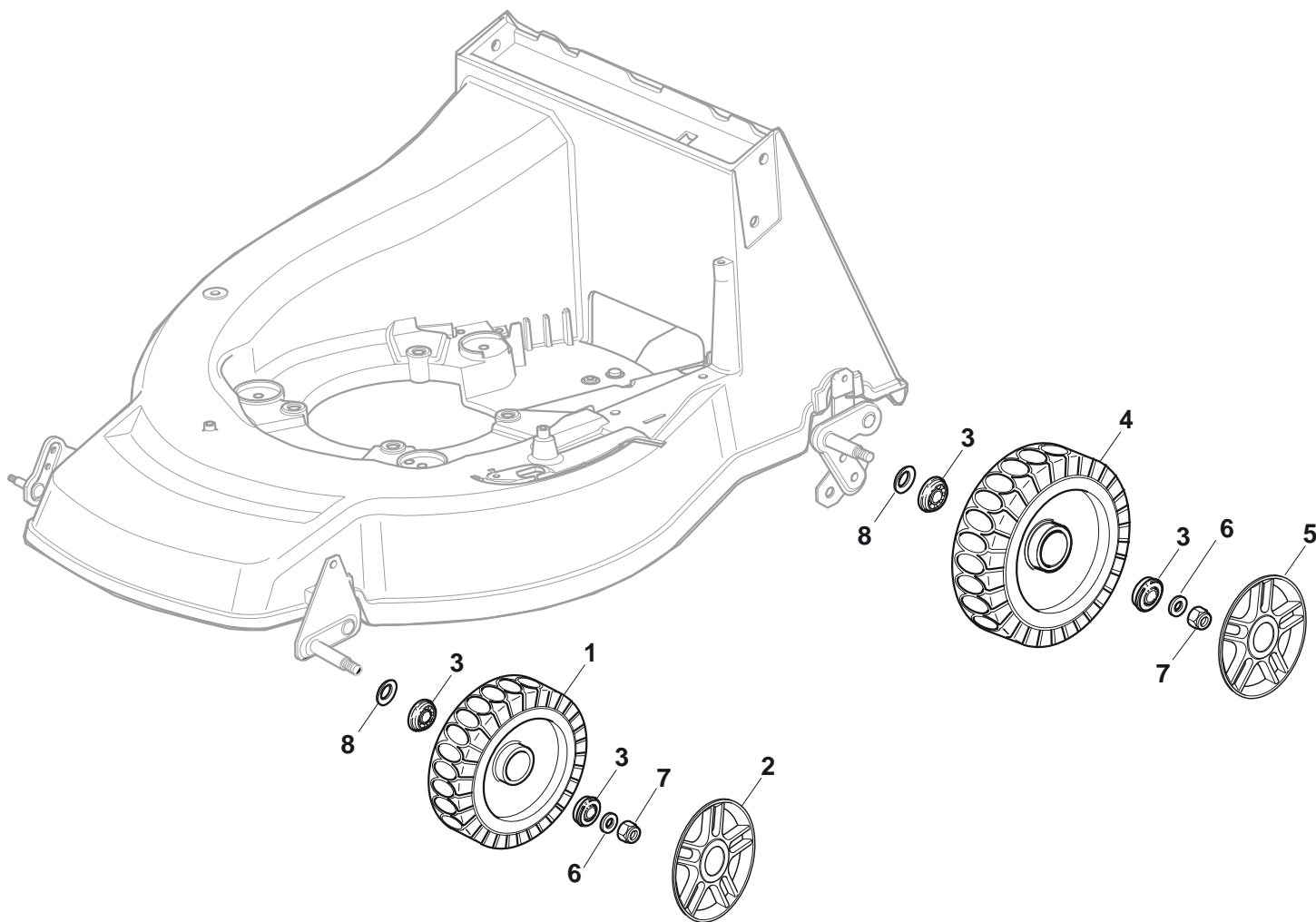




## TURBO POWER 50 S B

| Pos. Fig. | Antal Quantity | Art No Part No | Benämning      | Description       | Anmärkning Notes |
|-----------|----------------|----------------|----------------|-------------------|------------------|
| 1         | 2              | 12608600/0     | Seeger         | Seeger            |                  |
| 2         | 1              | 22570120/1     | Drev vä        | Pinion L          |                  |
| 3         | 2              | 22120105/1     | Navkapsel      | Ring Gear         |                  |
| 4         | 2              | 22600091/1     | Hjulskydd      | Protection, Wheel |                  |
| 5         | 1              | 22570110/1     | Drev hö        | Pinion R          |                  |
| 6         | 2              | 12608600/0     | Seeger         | Seeger            |                  |
| 7         | 2              | 19216035/0     | Låsring        | Bearing           |                  |
| 8         | 1              | 81002811/0     | Hjulaxel-bakre | Axle, Rear Wheels |                  |
| 9         | 2              | 22753000/0     | Stift          | Pin               |                  |
| 10        | 1              | 81003079/0     | Transmission   | Gear Box          |                  |
| 10        | 1              | 81003082/1     | Transmission   | Gear Box (Grey)   |                  |
| 11        | 1              | 22601909/0     | Remskiva       | Pulley            |                  |
| 12        | 1              | 12645705/0     | Stift          | Pin               |                  |
| 13        | 1              | 22033281/0     | Hållare        | Adjustment Rod    |                  |
| 14        | 1              | 22041957/1     | Bussning       | Bush              |                  |
| 15        | 1              | 22450063/0     | Fjäder         | Spring            |                  |
| 16        | 1              | 22680009/0     | Bricka         | Washer            |                  |
| 17        | 1              | 12154510/0     | Mutter         | Nut               |                  |
| 18        | 1              | 22110230/0     | Huvstöd        | Cap               |                  |
| 19        | 1              | 35064195/0     | Drivrem Z 33   | Belt Z 33         |                  |

TURBO POWER 50 S B

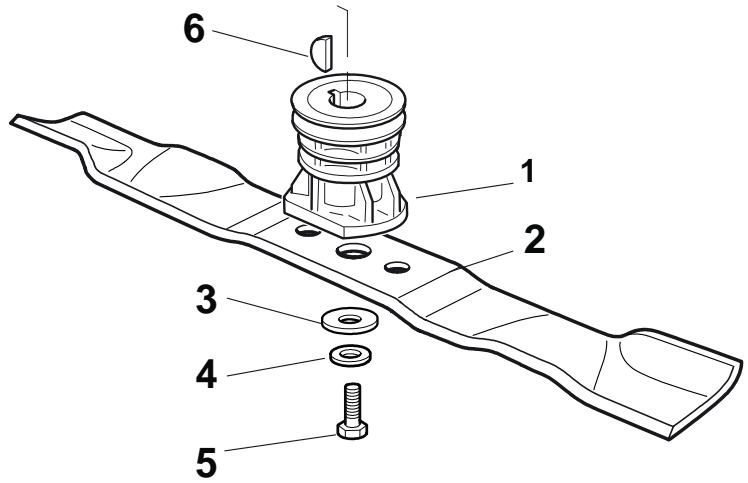
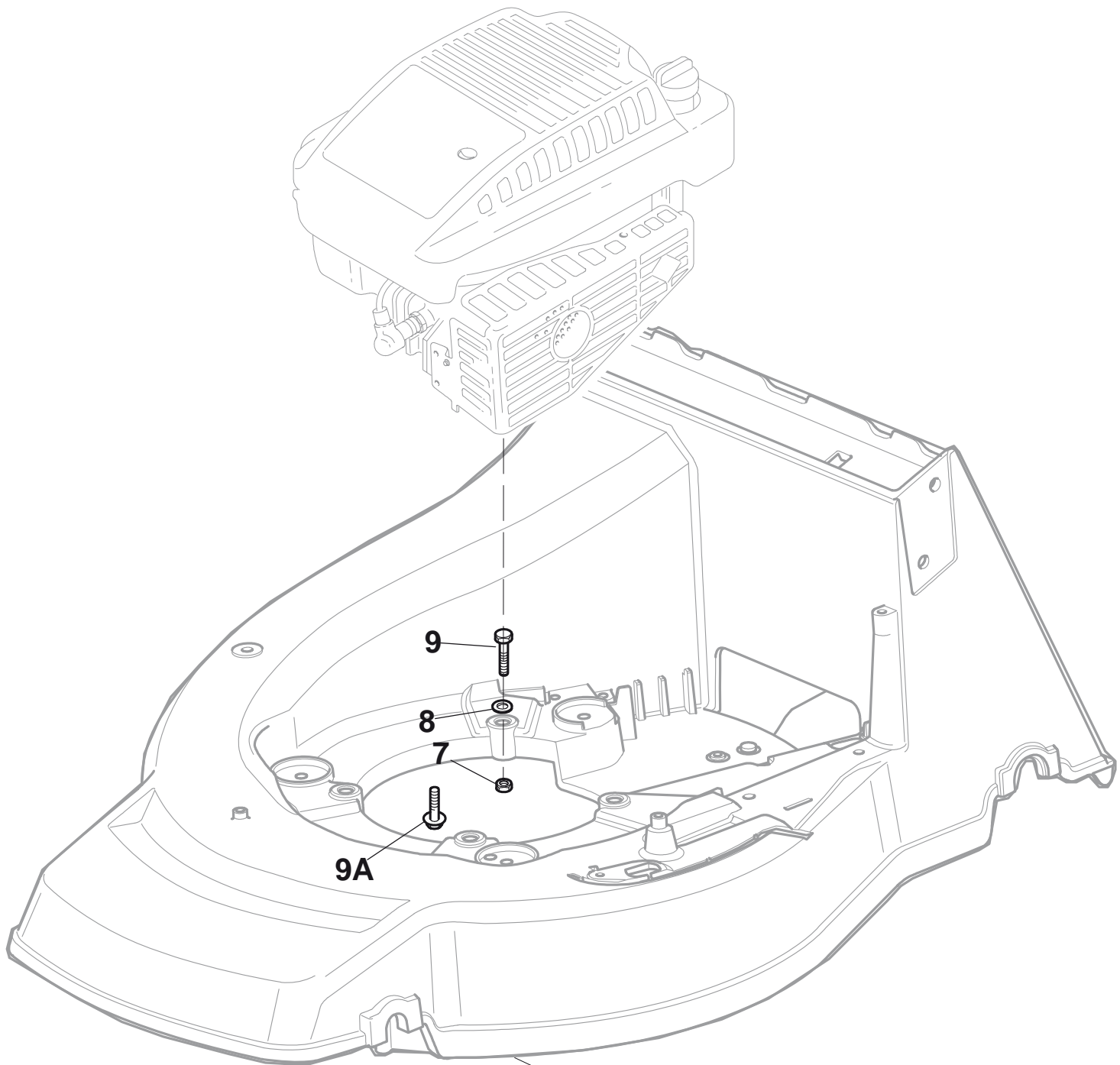






## TURBO POWER 50 S B

| Pos. Fig. | Antal Quantity | Art No Part No | Benämning     | Description    | Anmärkning Notes |
|-----------|----------------|----------------|---------------|----------------|------------------|
| 1         | 2              | 81007317/0     | Hjul Ø 170    | Wheel Ø 170    |                  |
| 2         | 2              | 22110491/0     | Navkapsel     | Hub Cap Grey   |                  |
| 3         | 8              | 22122200/0     | Panel         | Bearing        |                  |
| 4         | 2              | 81007318/1     | Hjul Ø 210    | Wheel Ø 210    |                  |
| 5         | 2              | 22110492/0     | Navkapsel-grå | Hub Cap Grey   |                  |
| 6         | 4              | 12521350/0     | Bricka        | Washer         |                  |
| 7         | 4              | 12155000/0     | Mutter        | Nut            |                  |
| 8         | 4              | 12530150/0     | Bricka        | Elastic Washer |                  |

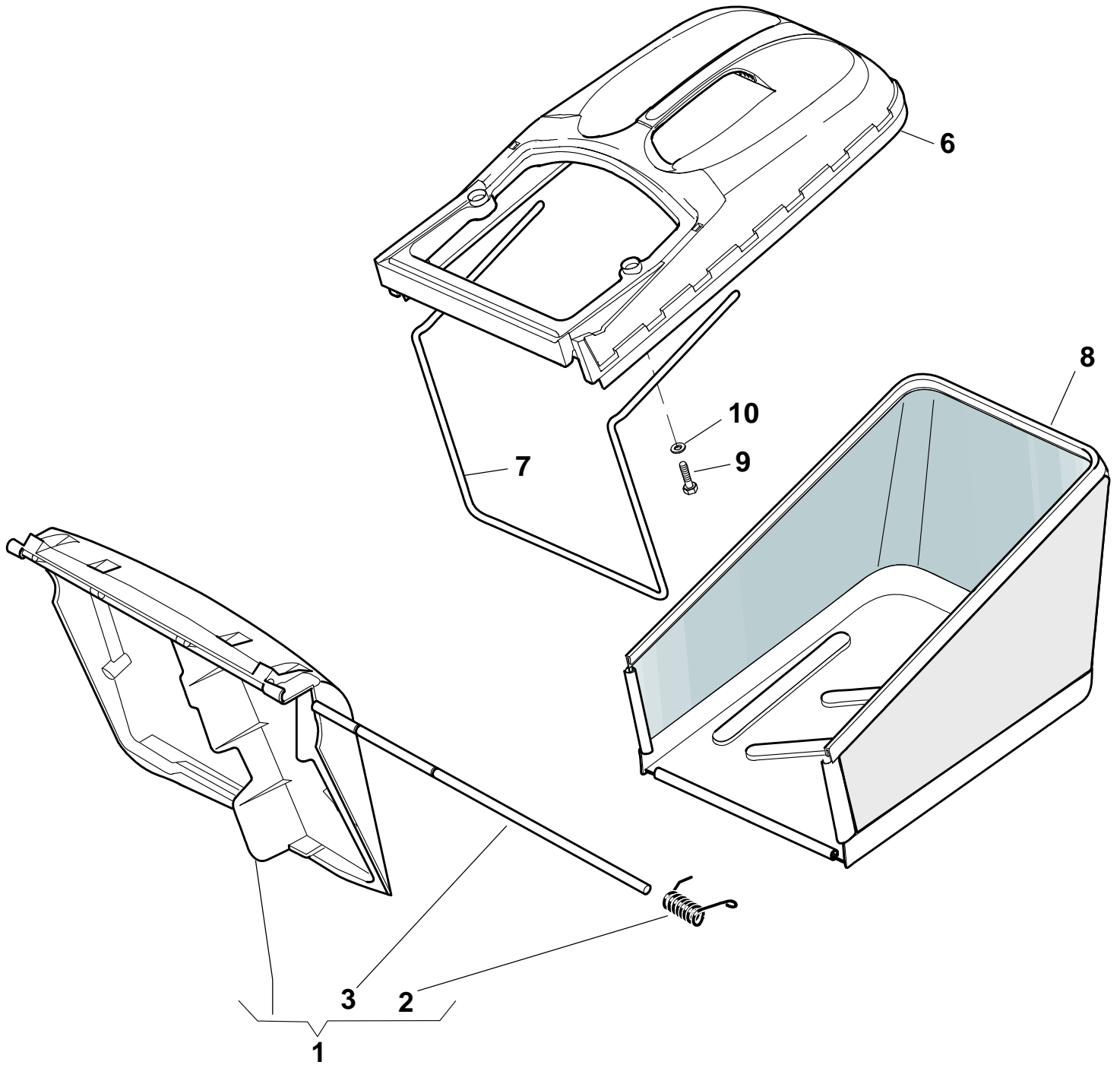




## TURBO POWER 50 S B

| Pos. Fig. | Antal Quantity | Art No Part No | Benämning    | Description                        | Anmärkning Notes |
|-----------|----------------|----------------|--------------|------------------------------------|------------------|
| 1         | 1              | 122465607/3    | Fläkt Ø 22.2 | Hub With Pulley, Crankshaft Ø 22.2 |                  |
| 2         | 1              | 81004366/2     | Kniv         | Blade Standard                     |                  |
| 3         | 1              | 22160400/0     | Dammskydd    | Dust Cover                         |                  |
| 4         | 1              | 12523080/0     | Bricka       | Washer                             |                  |
| 5         | 1              | 12735698/0     | Skruv        | Screw                              |                  |
| 6         | 1              | 12139100/0     | Låsring      | Feather, Crankshaft Ø 22.2         |                  |
| 7         | 3              | 12155000/0     | Mutter       | Nut                                |                  |
| 8         | 3              | 12521350/0     | Bricka       | Washer                             |                  |
| 9         | 2              | 12691800/0     | Skruv        | Screw (Peerless)                   |                  |
| 9         | 1              | 12692080/0     | Skruv        | Screw                              |                  |

**TURBO POWER 50 S B**



**TURBO POWER 50 S B**

| Pos. Fig. | Antal Quantity | Art No Part No | Benämning          | Description      | Anmärkning Notes |
|-----------|----------------|----------------|--------------------|------------------|------------------|
| 1         | 1              | 381008050/0    | Lucka              | Stone-Guard      |                  |
| 2         | 1              | 22451000/0     | Fjäder             | Spring           |                  |
| 3         | 1              | 22517857/0     | Stift              | Pin              |                  |
| 6         | 1              | 22486102/0     | Uppsamlare-överdel | Grass-Box, Upper |                  |
| 7         | 1              | 22608526/0     | Trådbygel          | Stiffening Lower |                  |
| 8         | 1              | 81002212/0     | Uppsamlingsäck     | Box, Fabric      |                  |
| 9         | 2              | 12728680/0     | Skruv              | Screw            |                  |
| 10        | 2              | 12523050/0     | Bricka             | Washer (Hydro)   |                  |