

Genuine Spare Parts

www.stiga.com

COMBI 48 S Model Year 2011

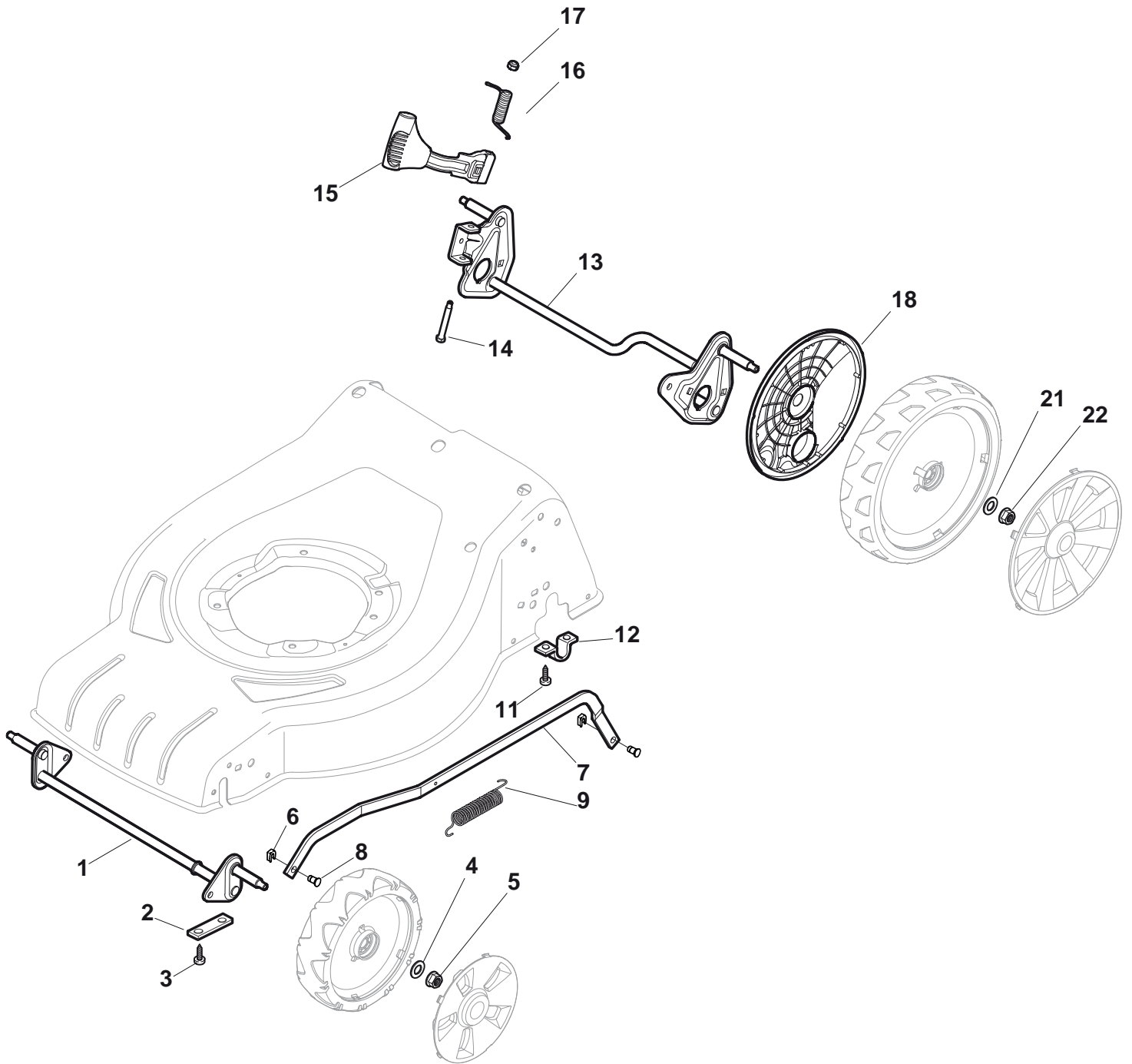
- Use GLOBAL GARDEN PRODUCT Genuine Spare Parts specified in the parts list for repair and/or replacement.
- The contents described in the parts list may change due to improvement.
- The drawings of the spare parts are only indicative and might not represent the part in question exactly.
- The indications "right" - "left" - "front" - "rear" refer to the position of the operator when using the machine.
- When placing orders of parts for repair and/or replacement, make sure that the illustrated parts list is the one applying to the machine's year of manufacture, as shown on the identification plate attached to the machine.

COPYRIGHT by GLOBAL GARDEN PRODUCTS

All rights reserved. No part of this material may be reproduced or transmitted, in any form or by any means, electronic or mechanical, including photocopying, recording or by any information storage and retrieval system, without permission in writing from GLOBAL GARDEN PRODUCTS.



COMBI 48 S

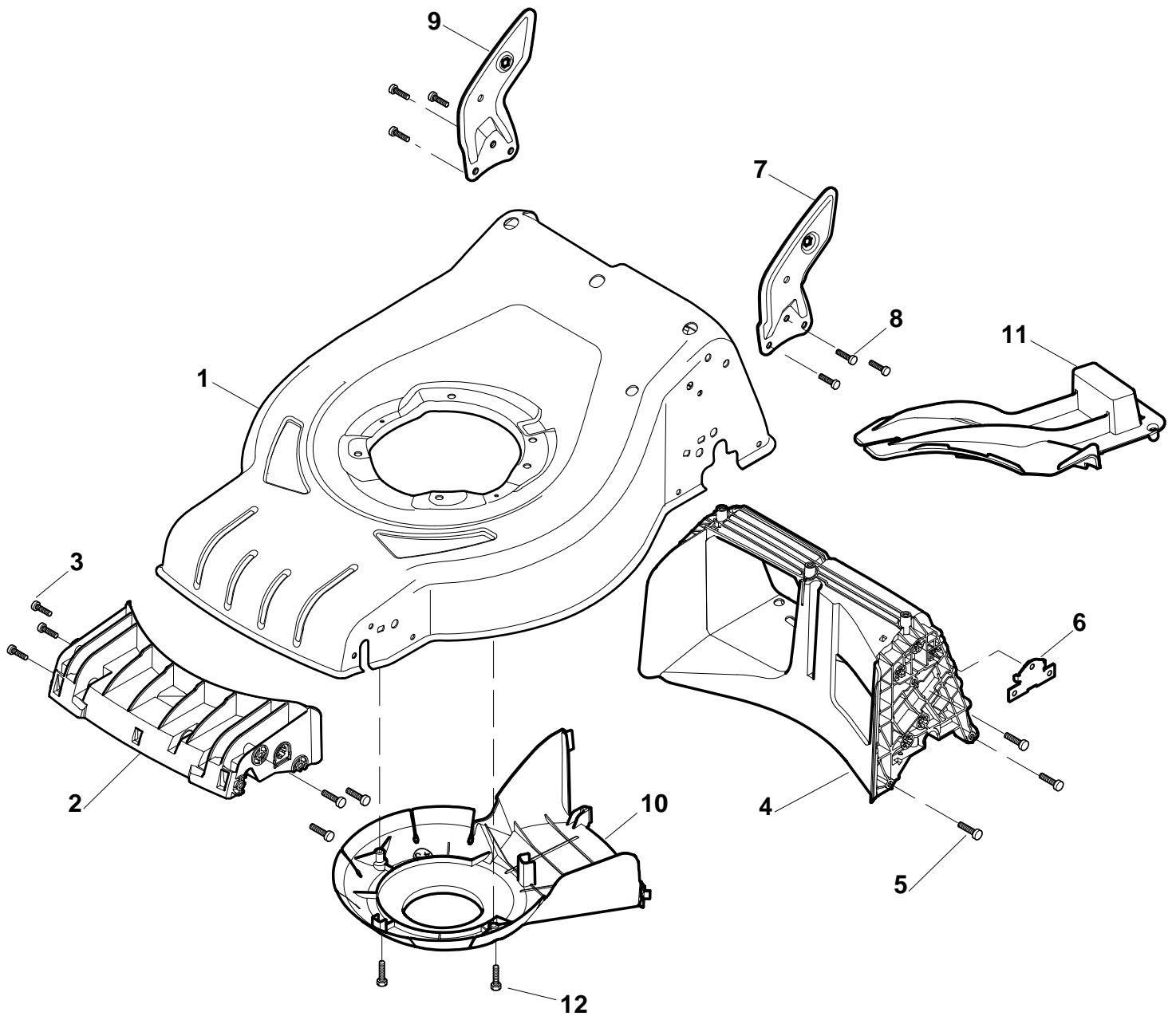




COMBI 48 S

Pos. Fig.	Antal Quantity	Art No Part No	Benämning	Description	Anmärkning Notes
1	1	381302821/0	Hjulaxel-fram	Axle, Front Wheels	
2	2	22545142/0	Plåt	Plate	
3	4	112728698/0	Skruv	Screw	
4	2	12521350/0	Bricka	Washer	
5	2	12155000/0	Mutter	Nut	
6	2	112436051/0	Plåt	Plate	
7	1	322869673/0	Höjdinställn.stång	Rod, Height Adjustment	
8	2	122519820/0	Stift	Pin	
9	1	122446193/0	Fjäder	Spring	
11	4	112728698/0	Skruv	Screw	
12	2	22545152/0	Plåt	Plate	
13	1	381302817/0	Hjulaxel-bakre	Axle, Rear Wheels	
14	1	122534131/0	Remstyrning	Pin	
15	1	381003357/0	Höjdinställningsspak	Lever, Height Adjustment	
16	1	122446192/0	Fjäder	Spring	
17	1	12154510/0	Mutter	Nut	
18	2	322600205/0	Hjulskydd	Wheel Protection	
21	2	12521350/0	Bricka	Washer	
22	2	12155000/0	Mutter	Nut	

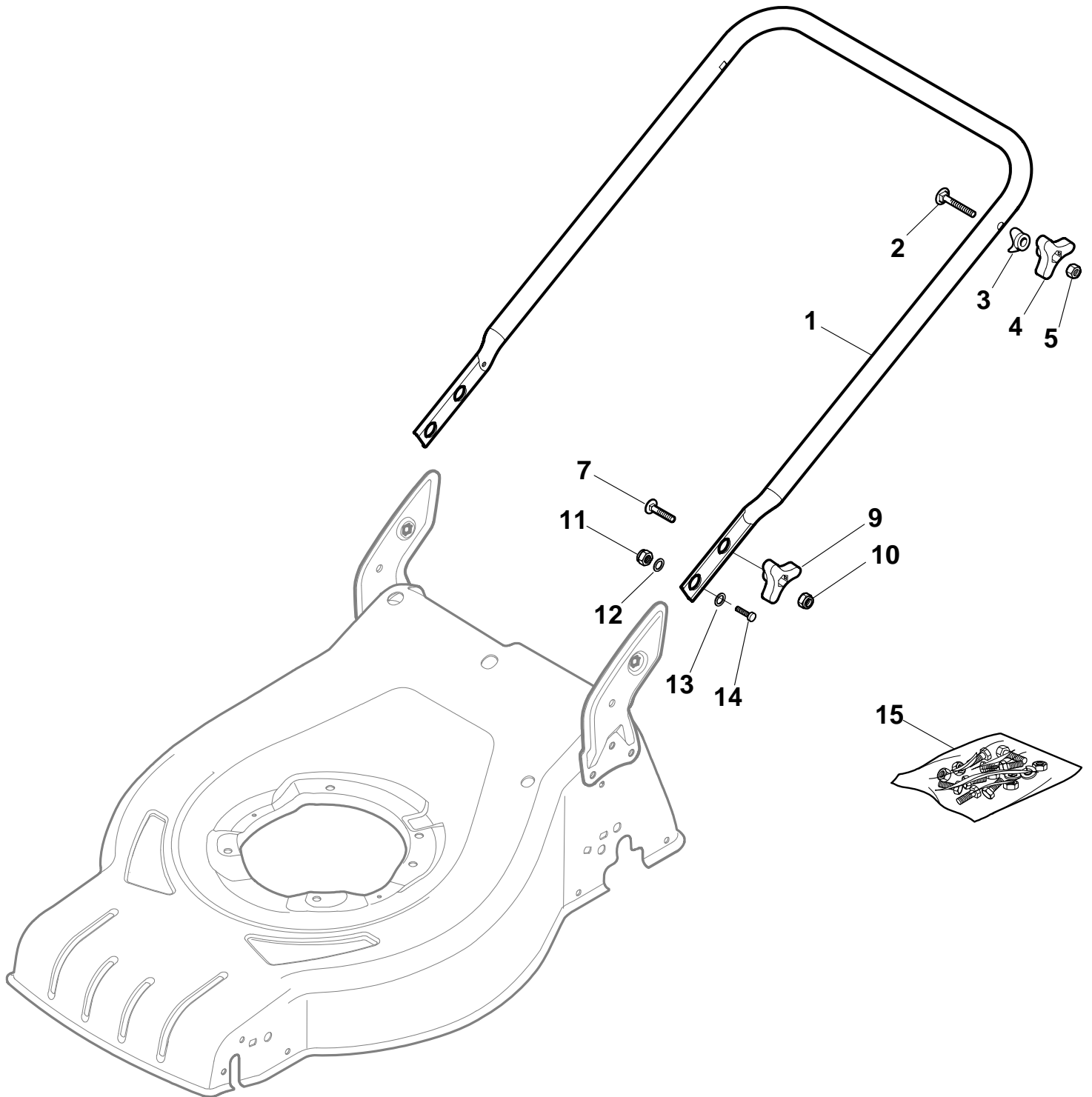
COMBI 48 S





COMBI 48 S

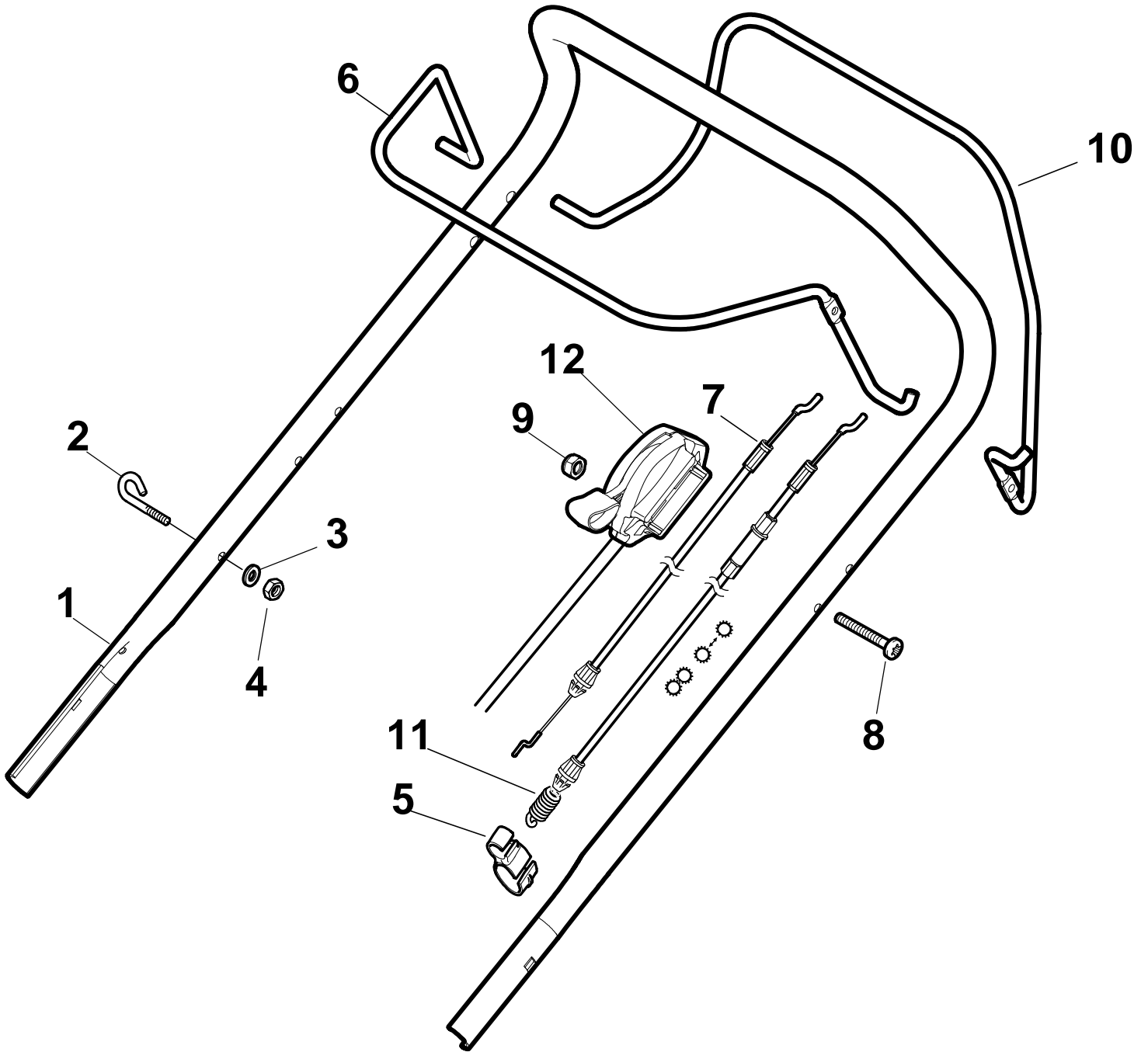
Pos. Fig.	Antal Quantity	Art No Part No	Benämning	Description	Anmärkning Notes
1	1	381004024/0	Chassi	Deck	
2	1	322108301/0	Ledplåt-främre	Front Conveyor Assy	
3	6	112728699/0	Skruv	Screw	
4	1	322108302/0	Ledplåt-bakre	Rear Conveyor Assy	
5	6	112728699/0	Skruv	Screw	
6	2	322545213/0	Plåt	Plate	
7	1	381005139/0	Fäste-vä	Bracket, L	
8	6	112727801/0	Skruv	Screw	
9	1	381005137/0	Fäste-hö	Bracket, R	
10	1	322060242/0	Remskydd	Protection, Belt	
11	1	322140239/0	Deflektor	Deflector	
12	2	12728530/0	Skruv	Screw	

COMBI 48 S



COMBI 48 S

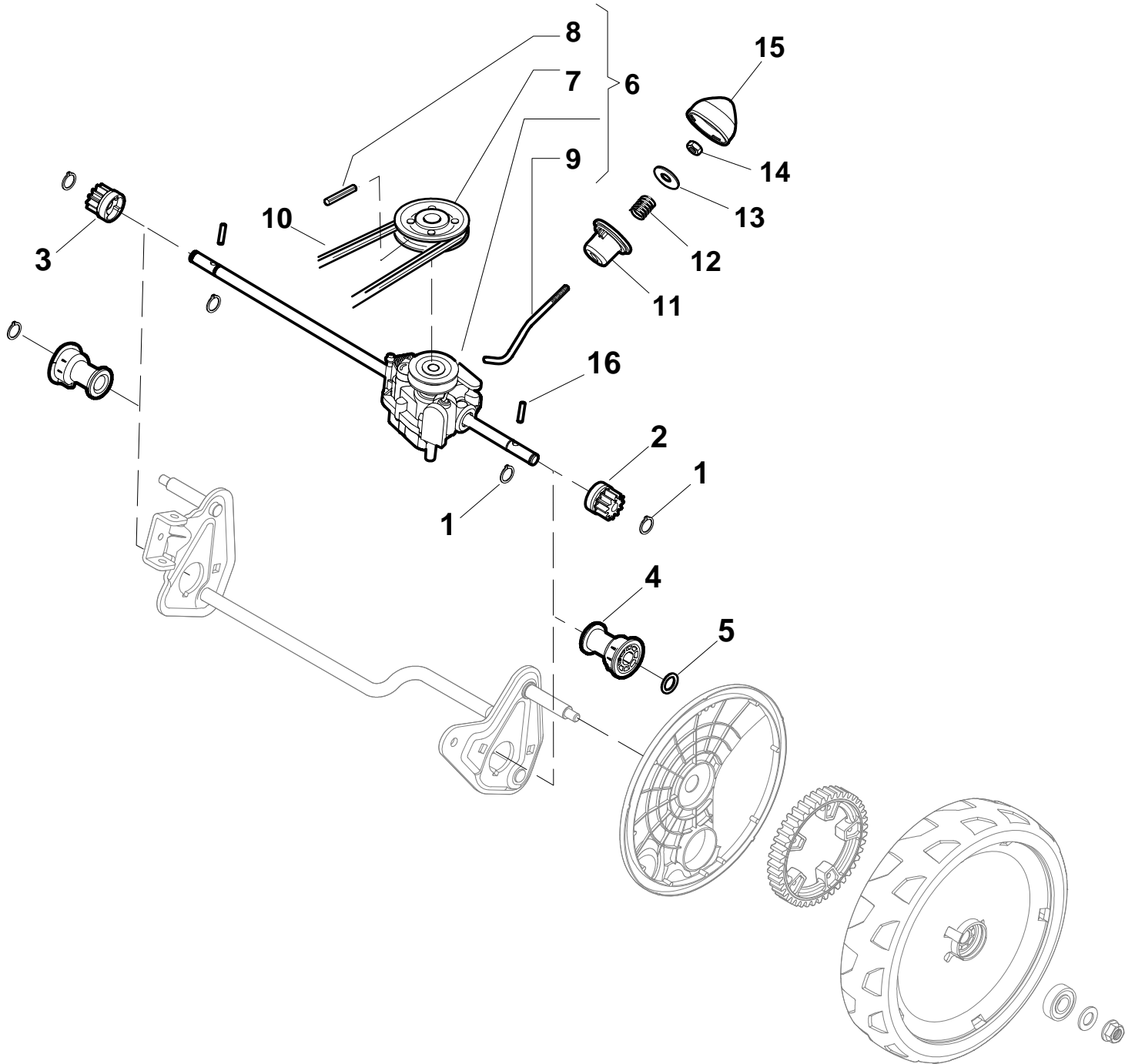
Pos. Fig.	Antal Quantity	Art No Part No	Benämning	Description	Anmärkning Notes
1	1	381006737/0	Styre-underdel	Handle, Lower Part	
2	2	12819120/0	Skruv	Screw	
3	2	22680006/1	Bricka	Washer	
4	2	22399900/0	Knopp	Knob	
5	2	12293200/0	Mutter	Nut	
7	2	12818900/0	Skruv	Screw	
9	2	22399900/0	Knopp	Knob	
10	2	12293200/0	Mutter	Nut	
11	2	12155000/0	Mutter	Nut	
12	2	12521350/0	Bricka	Washer	
13	2	12369500/0	Bricka	Washer	
14	2	12760605/0	Skruv	Screw	
15	1	381008691/0	Skruvsats	Outfit, Screws	





COMBI 48 S

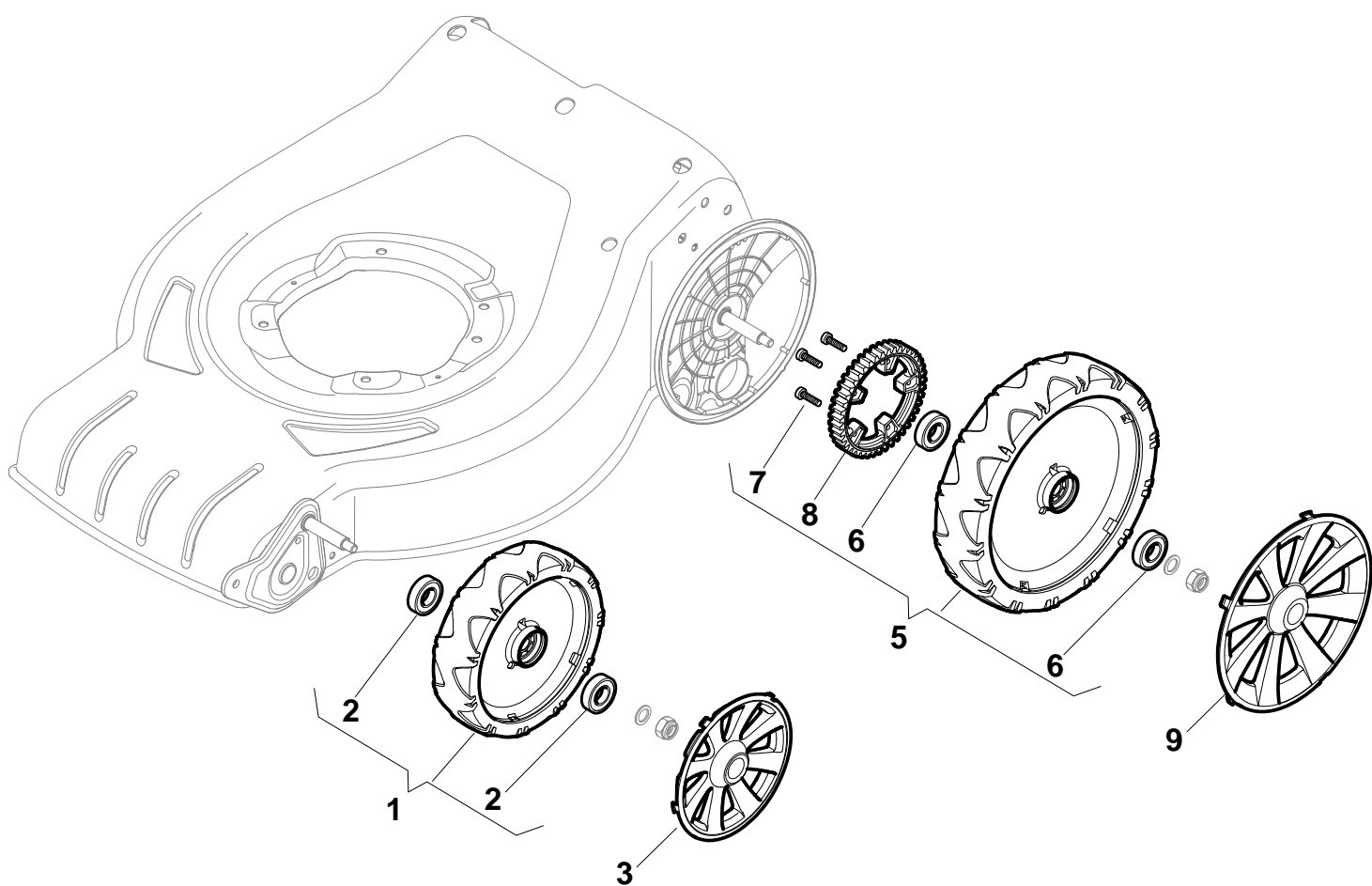
Pos. Fig.	Antal Quantity	Art No Part No	Benämning	Description	Anmärkning Notes
1	1	381006739/0	Styre-överdel	Handle, Upper Part	
2	1	22430313/0	Fjäder	Guide Spring	
3	1	12521330/0	Bricka	Washer	
4	1	12154510/0	Mutter	Nut	
5	1	118390020/0	Startkabel	Fairlead	
6	1	181003363/0	Reglagebygel-drivning	Lever, Engine Brake	
7	1	181030056/0	Motorbromswire	Cable, Thread Eng. Brake	
8	1	12727783/0	Skruv	Screw	
9	1	12154510/0	Mutter	Nut	
10	1	181003364/0	Reglagebygel	Lever, Driving	
11	1	381030051/0	Kopplingswire	Cable, Rear Drive	
12	1	181005517/0	Gaswire	Throttle Cable	





COMBI 48 S

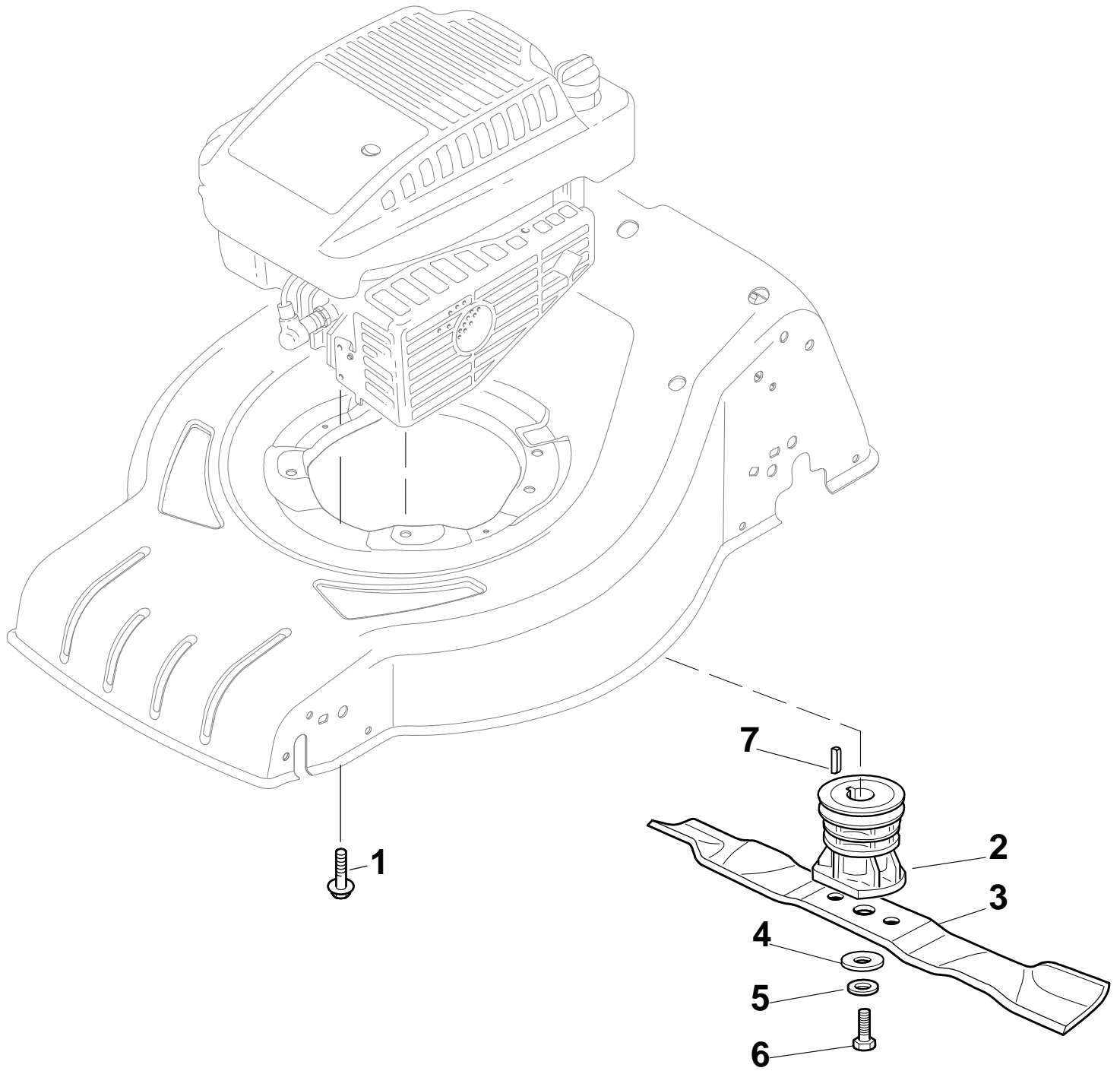
Pos. Fig.	Antal Quantity	Art No Part No	Benämning	Description	Anmärkning Notes
1	4	12608600/0	Seeger	Seeger	
2	1	22570120/1	Drev vä	Pinion L	
3	1	22570110/1	Drev hö	Pinion R	
4	2	322042066/0	Bussning	Bush	
5	2	112521371/0	Bricka	Washer	
6	1	81003092/0	Transmission	Gear Box	
7	1	22601904/0	Remskiva	Pulley	
8	1	12645700/0	Stift	Pin	
9	1	22033283/0	Justerstång	Adjustment Rod	
10	1	35063800/0	Drivrem Z 27	Belt Z 27	
11	1	22041957/1	Bussning	Bush	
12	1	22450063/0	Fjäder	Spring	
13	1	22680009/0	Bricka	Washer	
14	1	12154510/0	Mutter	Nut	
15	1	22110230/0	Huvstöd	Cap	
16	2	22753000/0	Stift	Pin	





COMBI 48 S

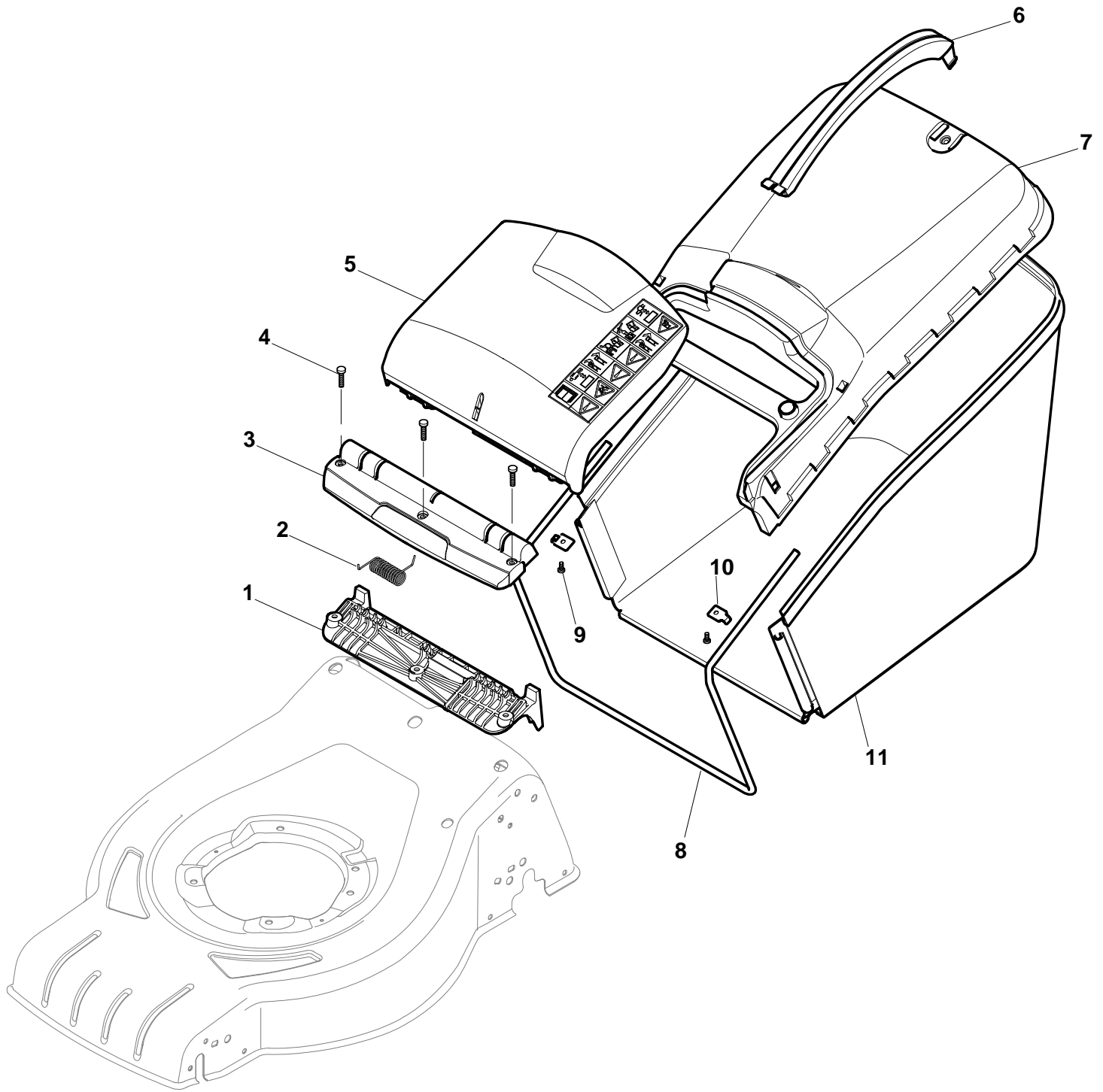
Pos. Fig.	Antal Quantity	Art No Part No	Benämning	Description	Anmärkning Notes
1	2	381007455/0	Hjul Ø 180	Wheel Ø 180	
2	4	19216035/0	Låsring	Bearing	
3	2	322110638/0	Navkapsel-grå	Hub Cap Grey	
5	2	381007467/0	Hjul Ø 240	Wheel Ø 240	
6	4	19216035/0	Låsring	Bearing	
7	6	112728706/0	Skruv	Screw	
8	2	322120117/0	Ringdrev	Ring Gear	
9	2	322110639/0	Navkapsel-grå	Hub Cap Grey	





COMBI 48 S

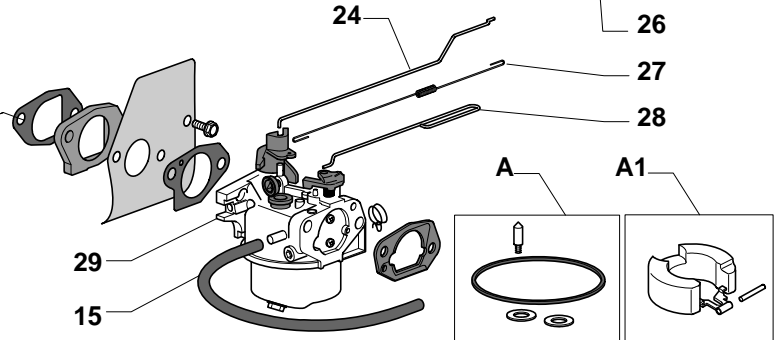
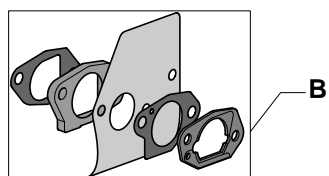
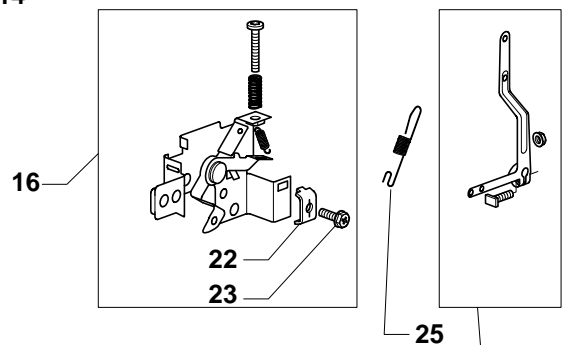
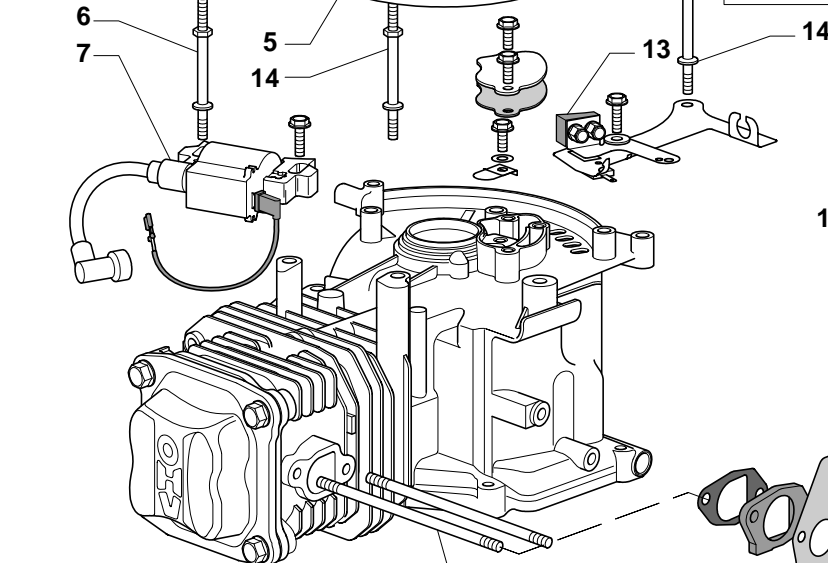
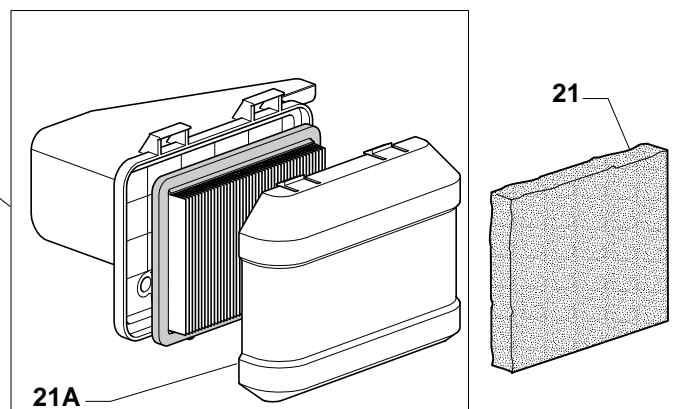
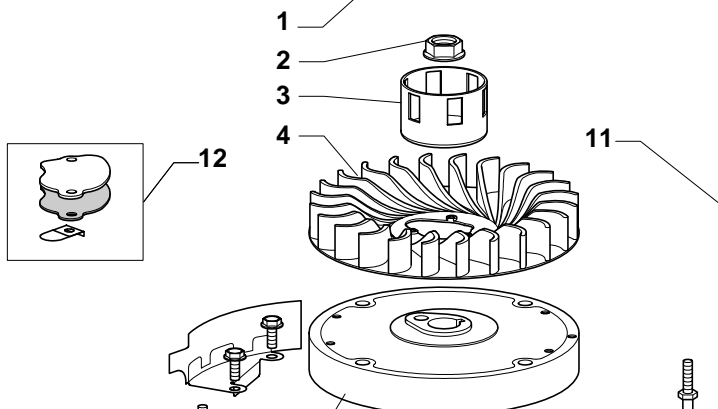
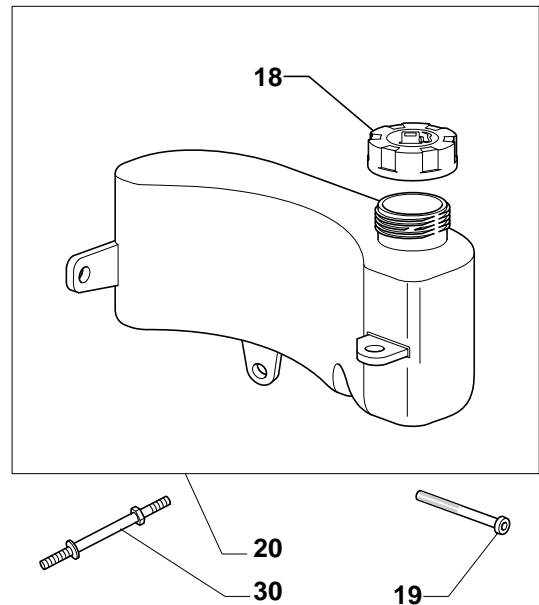
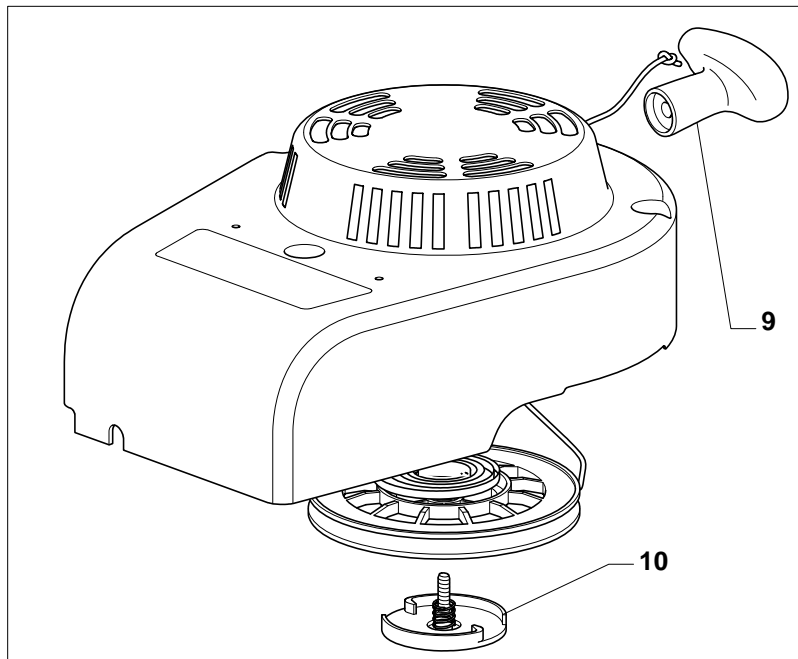
Pos. Fig.	Antal Quantity	Art No Part No	Benämning	Description	Anmärkning Notes
2	1	122465607/3	Fläkt Ø 22.2	Hub With Pulley, Crankshaft Ø 22.2	
3	1	81004346/3	Kniv	Blade Standard	
4	1	22160400/0	Dammskydd	Dust Cover	
5	1	12523080/0	Bricka	Washer	
6	1	12735698/0	Skruv	Screw	
7	1	12139100/0	Kil	Feather, Crankshaft Ø 22.2	





COMBI 48 S

Pos. Fig.	Antal Quantity	Art No Part No	Benämning	Description	Anmärkning Notes
1	1	322785331/0	Fäste	Support	
2	1	122450464/0	Fjäder	Spring	
3	1	322109556/0	Skyddsplåt	Cover	
4	3	112728699/0	Skruv	Screw	
5	1	322600214/0	Lucka	Stone-Guard	
6	1	322393646/0	Handtag	Handle	
7	1	322486264/0	Uppsamlare-överdel	Grassbox Upper Part	
8	1	122608561/0	Trådbygel	Stiffening Lower	
9	2	322545159/0	Plåt	Plate	
10	2	12728692/0	Skruv	Screw	
11	1	181002318/0	Uppsamlingsäck	Box, Fabric	

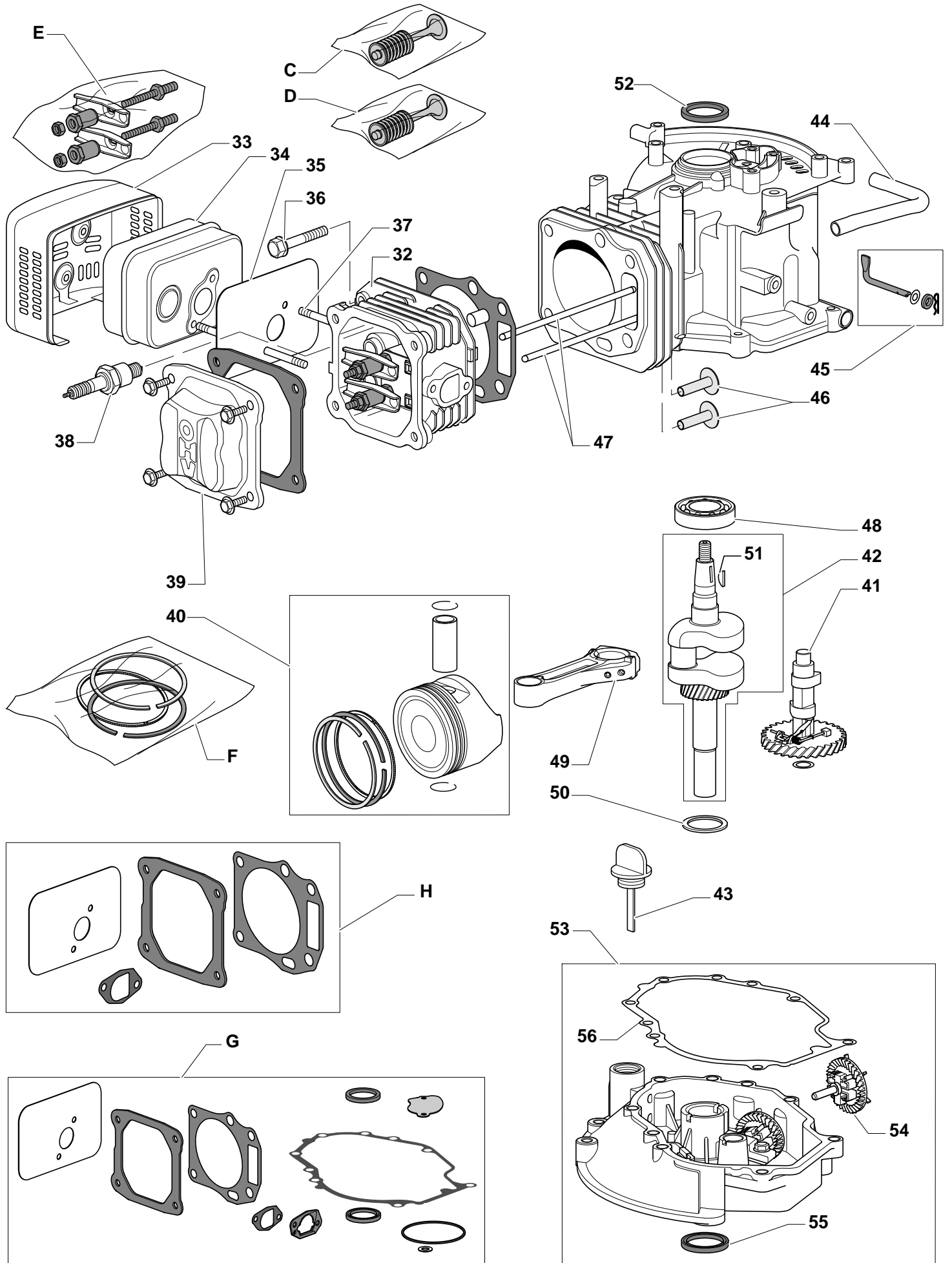




COMBI 48 S

Pos. Fig.	Antal Quantity	Art No Part No	Benämning	Description	Anmärkning Notes
B	1	118550248/0	Packning	Gasket Carburettor Assy	
A	1	118550389/0	Kit Repair, Carburettor	Kit Repair, Carburettor	
1	1	118550276/0	Start kpl	Starter Assy	
A1	1	118550388/0	Kit Repair, Carburettor	Kit Repair, Carburettor	
2	1	118550336/0	Mutter	Nut	
3	1	118550335/0	Starter Cup	Starter Cup	
4	1	118550254/0	Fläkt	Flywheel Fan	
5	1	118550253/0	Svänghjul	Flywheel Ass.Y	
6	1	118550301/0	Skruv	Stud Bolt	
7	1	118550255/0	Elektronikspole	Electronic Coil	
9	1	118550274/0	Starthandtag	Starter Handle	
10	1	118550275/0	Starter Pawl Set	Starter Pawl Set	
11	1	118550258/1	Luftfilter	Air Cleaner Assy	
12	1	118550378/0	Packning	Gasket Assy	
13	1	118550376/0	Flywheel Brake/Stop Switch Assy	Flywheel Brake/Stop Switch Assy	
14	2	118550302/0	Skruv	Stud Bolt	
15	1	118550340/0	Bränsleslang-in	Fuel Pipe	
16	1	118550259/0	Remote Control Assy	Remote Control Assy	
17	2	118550298/0	Skruv	Stud Bolt	
18	1	118550339/0	Lock	Fuel Cap	
19	1	118550314/0	Bränslefilter	Fuel Filter	
20	1	118550316/0	Tank	Tank	
21A	1	118550396/0	Luftfilterlock	Air Cleaner Cover	
21	1	118550452/0	Luftfilter	Air Filter	
22	1	118550337/0	Casing Clamp	Casing Clamp	
23	1	118550338/0	Skruv	Screw	
24	1	118550397/0	Governor Link	Governor Link	
25	1	118550260/0	Fjäder	Spring	
26	1	118550266/0	Arm Governor Assy	Arm Governor Assy	
27	1	118550263/0	Fjäder	Spring	
28	1	118550264/0	Choke Control Rod	Choke Control Rod	
29	1	118550390/0	Förgasare	Carburettor	
30	1	118550315/0	Skruv	Stud Bolt	

COMBI 48 S





COMBI 48 S

Pos. Fig.	Antal Quantity	Art No Part No	Benämning	Description	Anmärkning Notes
E	1	118550273/0	Valve Arm Set	Valve Arm Set	
C	1	118550292/0	Intake Valve Assy	Intake Valve Assy	
D	1	118550294/0	Exhaust Valve Assy	Exhaust Valve Assy	
F	1	118550384/0	Piston, Ring Set	Piston, Ring Set	
G	1	118550403/0	Packning	Engine Gasket Set	
H	1	118550405/0	Cylinder Head Gasket Set	Cylinder Head Gasket Set	
32	1	118550244/0	Cylinder Head Assy	Cylinder Head Assy	
33	1	118550268/1	Ljuddämparskydd	Muffler Guard	
34	1	118550269/0	Ljuddämpare	Muffler	
35	1	118550270/0	Ljuddämparskydd	Gasket, Muffler	
36	4	118550297/0	Skruv	Screw	
37	2	118550298/0	Skruv	Stud Bolt	
38	1	9400-0244-00	Tändstift	Spark Plug	
39	1	118550296/1	Cover Comp., Head	Cover Comp., Head	
40	1	118550387/0	Kolv kpl	Piston Assy	
41	1	118550271/0	Camshaft Assy	Camshaft Assy	
42	1	118550385/0	Vevaxel	Crankshaft	
43	1	118550381/0	Oljevol	Tank Cap	
44	1	118550377/0	Oljeslang	Breather Fule Pipe	
45	1	118550308/0	Vevaxel	Shaft, Governor Arm Assy	
46	1	118550291/0	Valve Lifter Assy	Valve Lifter Assy	
47	1	118550289/0	Push Rods Assy	Push Rods Assy	
48	1	118550280/0	Kullager	Bearing	
49	1	118550284/0	Connecting Rod Assy	Connecting Rod Assy	
50	1	118550283/0	Bricka	Washer	
51	1	118550288/0	Kil	Flywheel Key	
52	1	118550300/0	Tätningring	Oil Seal	
53	1	118550382/0	Vevhus	Crankcase Cover Assy	
54	1	118550312/0	Speed Governor Assy	Speed Governor Assy	
55	1	118550379/0	Tätningring	Oil Seal	
56	1	118550380/0	Packning	Crankcase Gasket	