

Genuine Spare Parts

www.stiga.com

COMBI 48 SQ BW B Model Year 2011

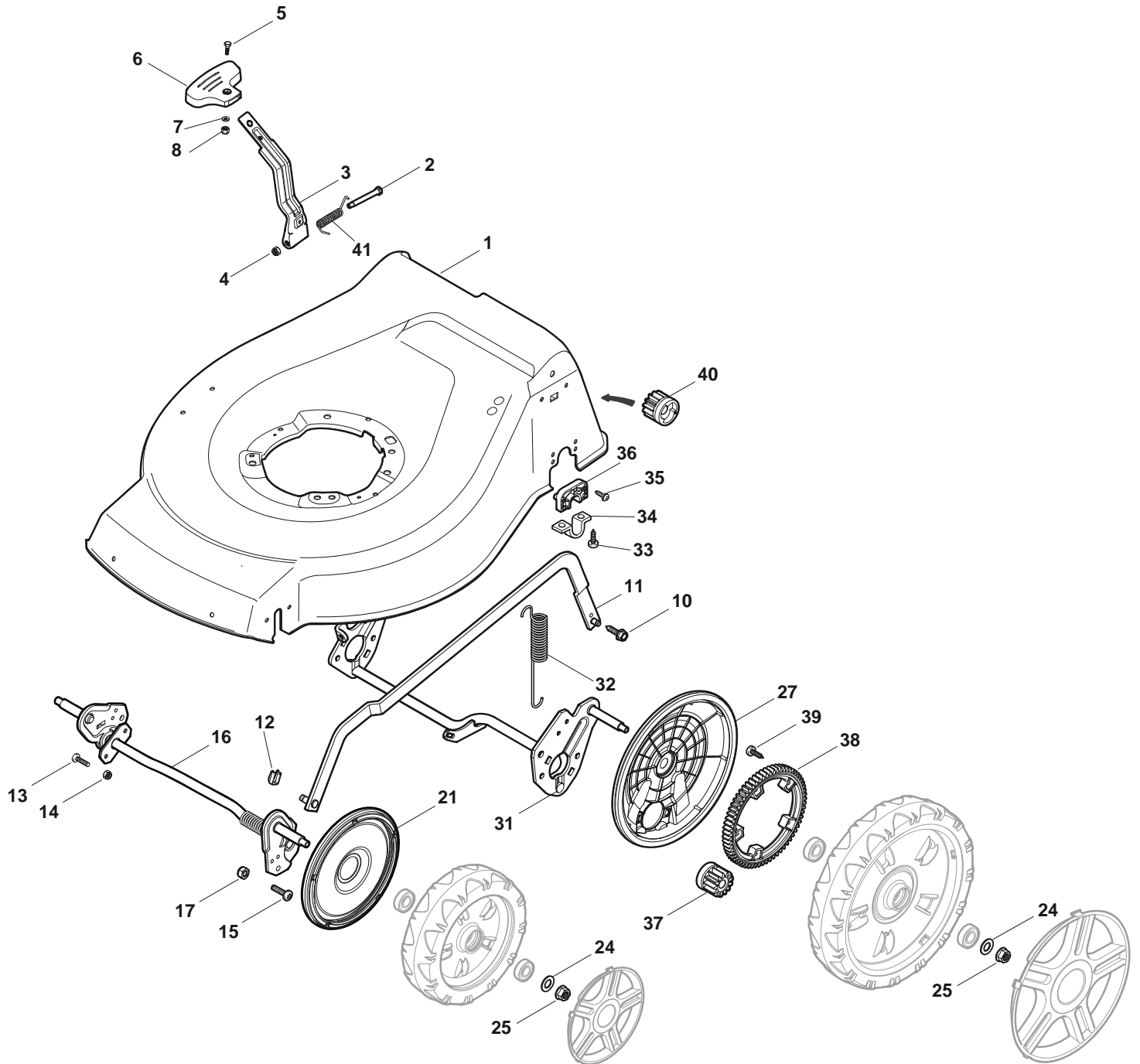
- Use GLOBAL GARDEN PRODUCT Genuine Spare Parts specified in the parts list for repair and/or replacement.
- The contents described in the parts list may change due to improvement.
- The drawings of the spare parts are only indicative and might not represent the part in question exactly.
- The indications "right" - "left" - "front" - "rear" refer to the position of the operator when using the machine.
- When placing orders of parts for repair and/or replacement, make sure that the illustrated parts list is the one applying to the machine's year of manufacture, as shown on the identification plate attached to the machine.

COPYRIGHT by GLOBAL GARDEN PRODUCTS

All rights reserved. No part of this material may be reproduced or transmitted, in any form or by any means, electronic or mechanical, including photocopying, recording or by any information storage and retrieval system, without permission in writing from GLOBAL GARDEN PRODUCTS.



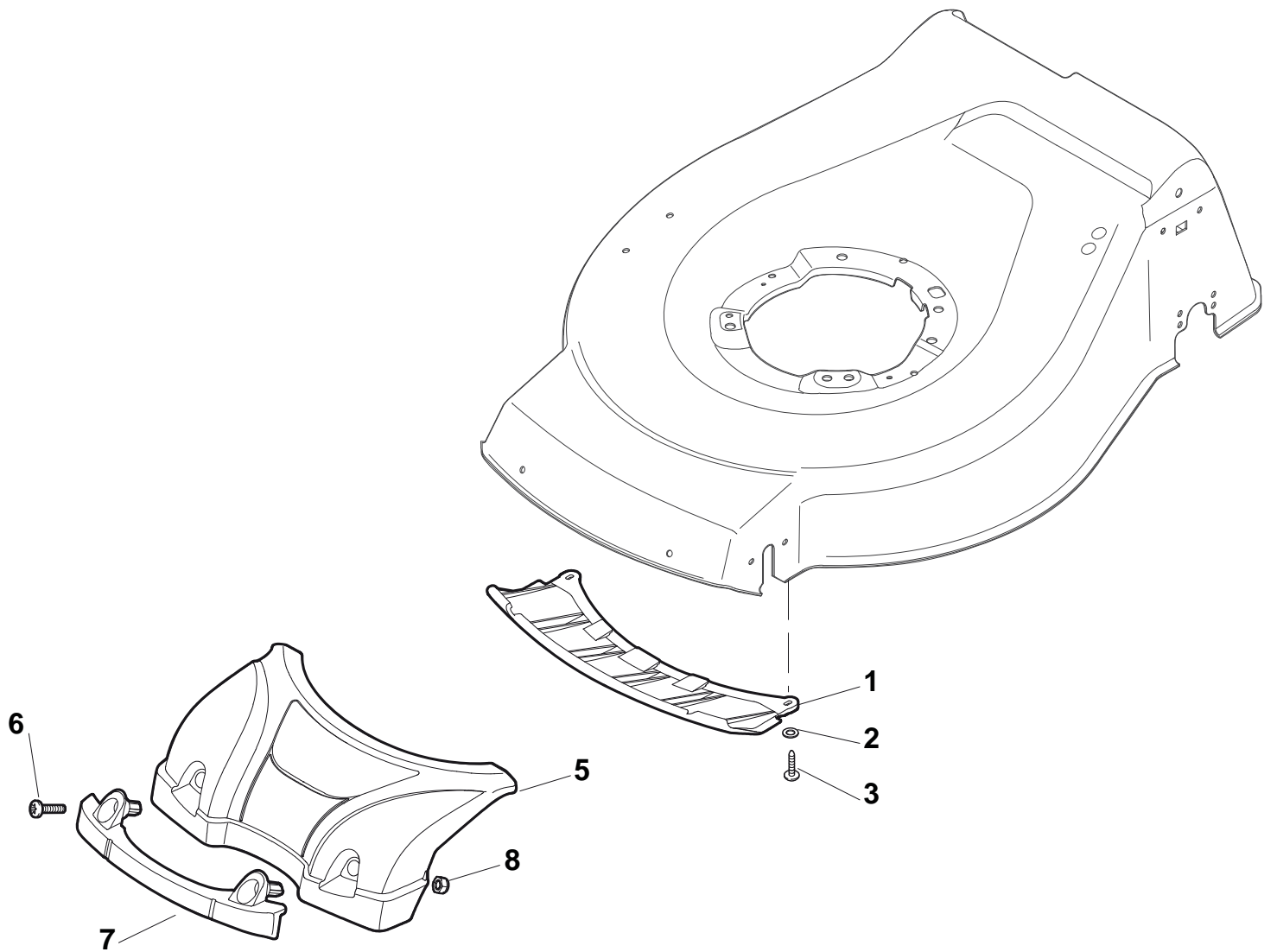
COMBI 48 SQ BW B





COMBI 48 SQ BW B

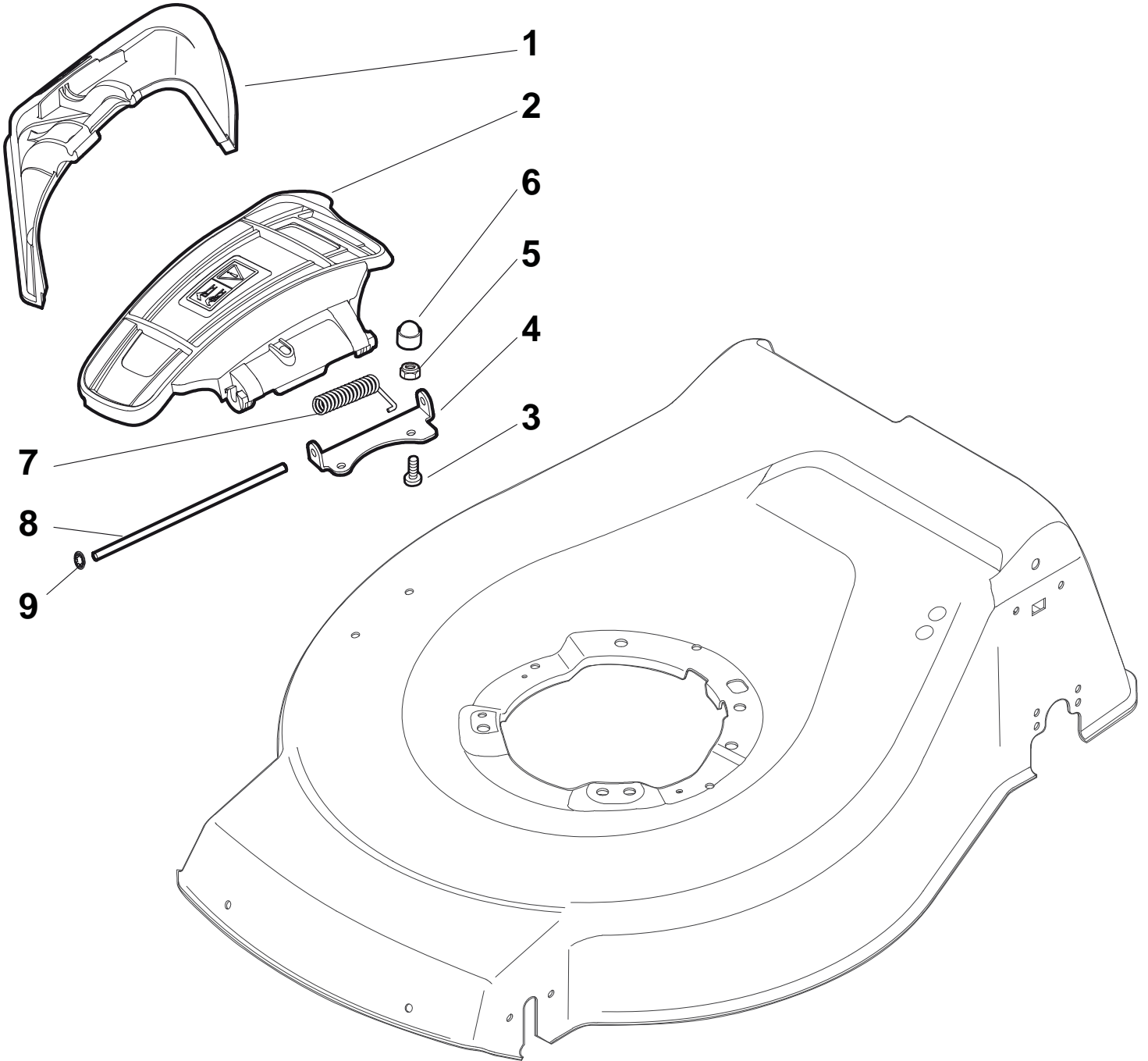
Pos. Fig.	Antal Quantity	Art No Part No	Benämning	Description	Anmärkning Notes
1	1	381003917/0	Chassi-svart	Deck Black	
2	1	122534131/0	Remstyrning	Pin	
3	1	381003398/0	Höjdinställningsspak	Lever, Height Adjustment	
4	1	12154510/0	Mutter	Nut	
5	1	12788512/0	Skruv	Screw	
6	1	322394503/0	Knopp	Knob	
7	1	12521310/0	Bricka	Washer	
8	1	12150000/0	Mutter	Nut	
10	1	122943013/0	Skruv	Screw	
11	1	381002030/0	Höjdinställn.stång	Rod, Height Adjustment	
12	1	112436051/0	Plåt	Plate	
13	3	112727803/0	Skruv	Screw	
14	3	12154510/0	Mutter	Nut	
15	1	112727801/0	Skruv	Screw	
16	1	381002883/1	Hjulaxel-fram	Axle, Front Wheels	
17	1	12154510/0	Mutter	Nut	
21	2	322600145/0	Hjulskydd	Protection, Wheel	
24	4	12521350/0	Bricka	Washer	
25	4	12155000/0	Mutter	Nut	
27	2	322600208/0	Hjulskydd	Protection, Wheel	
31	1	381302835/0	Hjulaxel-bakre	Axle, Rear Wheels	
32	1	122450460/0	Fjäder	Spring	
33	4	112728697/0	Skruv	Screw	
34	2	22545152/0	Plåt	Plate	
35	4	112728697/0	Skruv	Screw	
36	2	322785304/0	Fäste	Support	
37	1	122570134/0	Drev hö	Pinion L	
38	2	322120115/0	Ringdrev	Ring Gear	
39	6	112728706/0	Skruv	Screw	
40	1	122570133/0	Drev vä	Pinion R	
41	1	122446192/0	Fjäder	Spring	





COMBI 48 SQ BW B

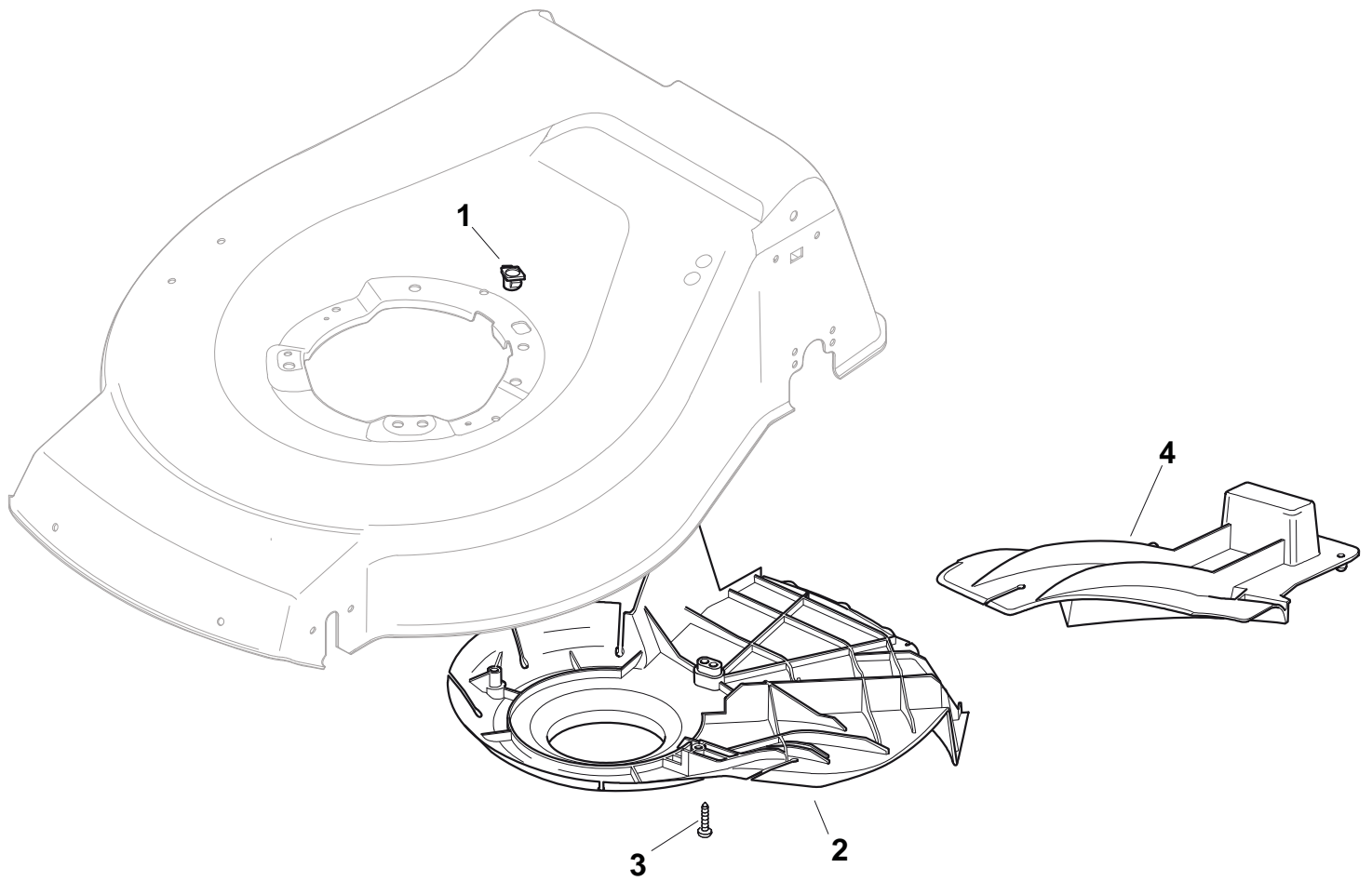
Pos. Fig.	Antal Quantity	Art No Part No	Benämning	Description	Anmärkning Notes
1	1	322500102/0	Air Intake Grill	Air Intake Grill	
2	2	112523000/1	Bricka	Washer	
3	2	12728124/0	Skruv	Screw	
5	1	322226153/0	Frontkåpa-svart	Mask, Black	
6	2	112727799/0	Skruv	Screw	
7	1	322393640/0	Handtag-gul	Handle, Yellow	
8	2	12154510/0	Mutter	Nut	





COMBI 48 SQ BW B

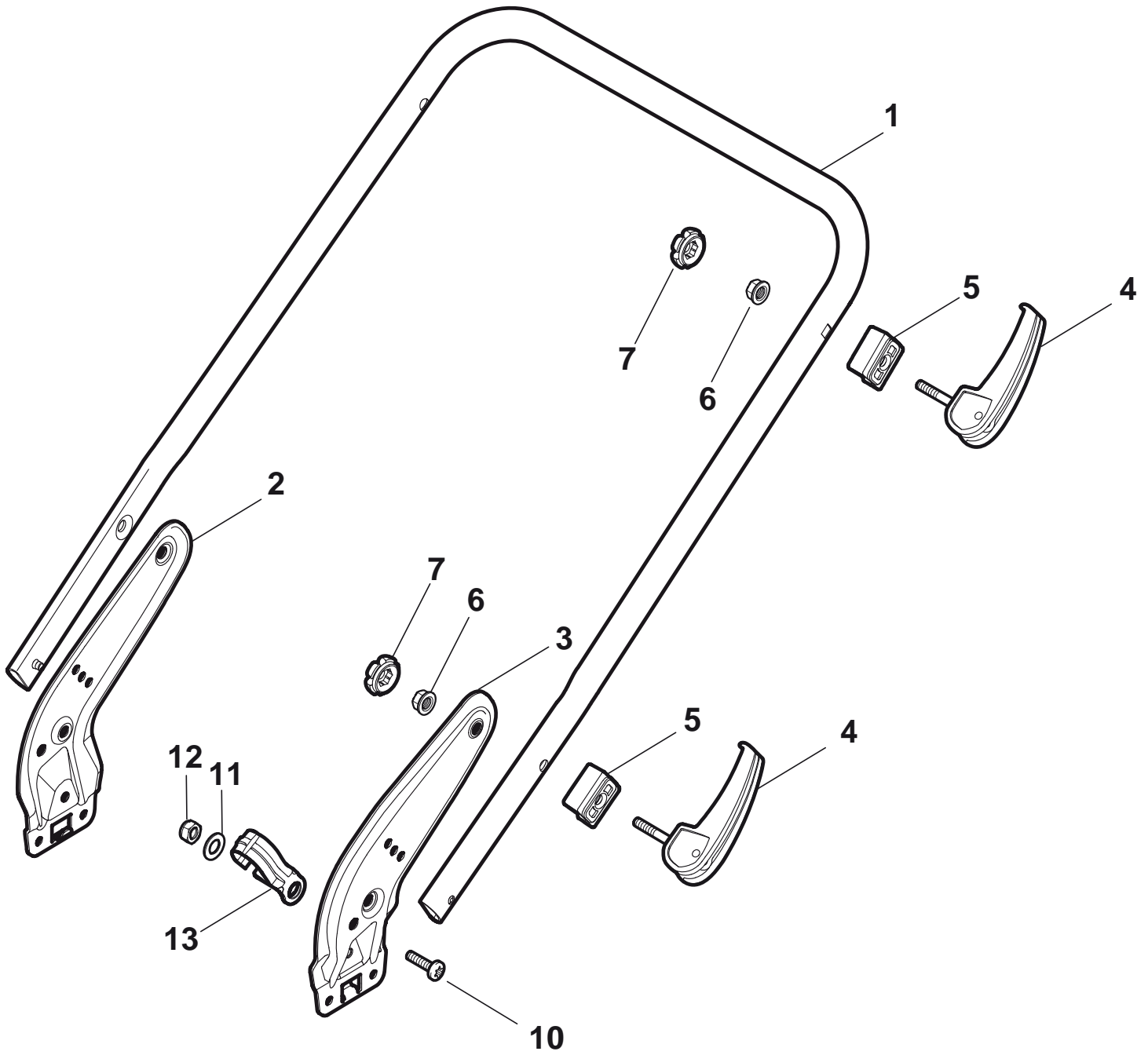
Pos. Fig.	Antal Quantity	Art No Part No	Benämning	Description	Anmärkning Notes
1	1	322108295/0	Lucka	Stone-Guard	
2	1	322600195/0	Output skydd	Ejection Guard	
3	2	112727803/0	Skruv	Screw	
4	1	322806639/0	Vridpunkt	Fulcrum Pin	
5	2	12154510/0	Mutter	Nut	
6	2	18203853/0	Batteri	Protection	
7	1	122450456/0	Fjäder	Spring	
8	1	122517869/0	Stift	Pin	
9	2	12604896/0	Skruv	Crown Fastener	





COMBI 48 SQ BW B

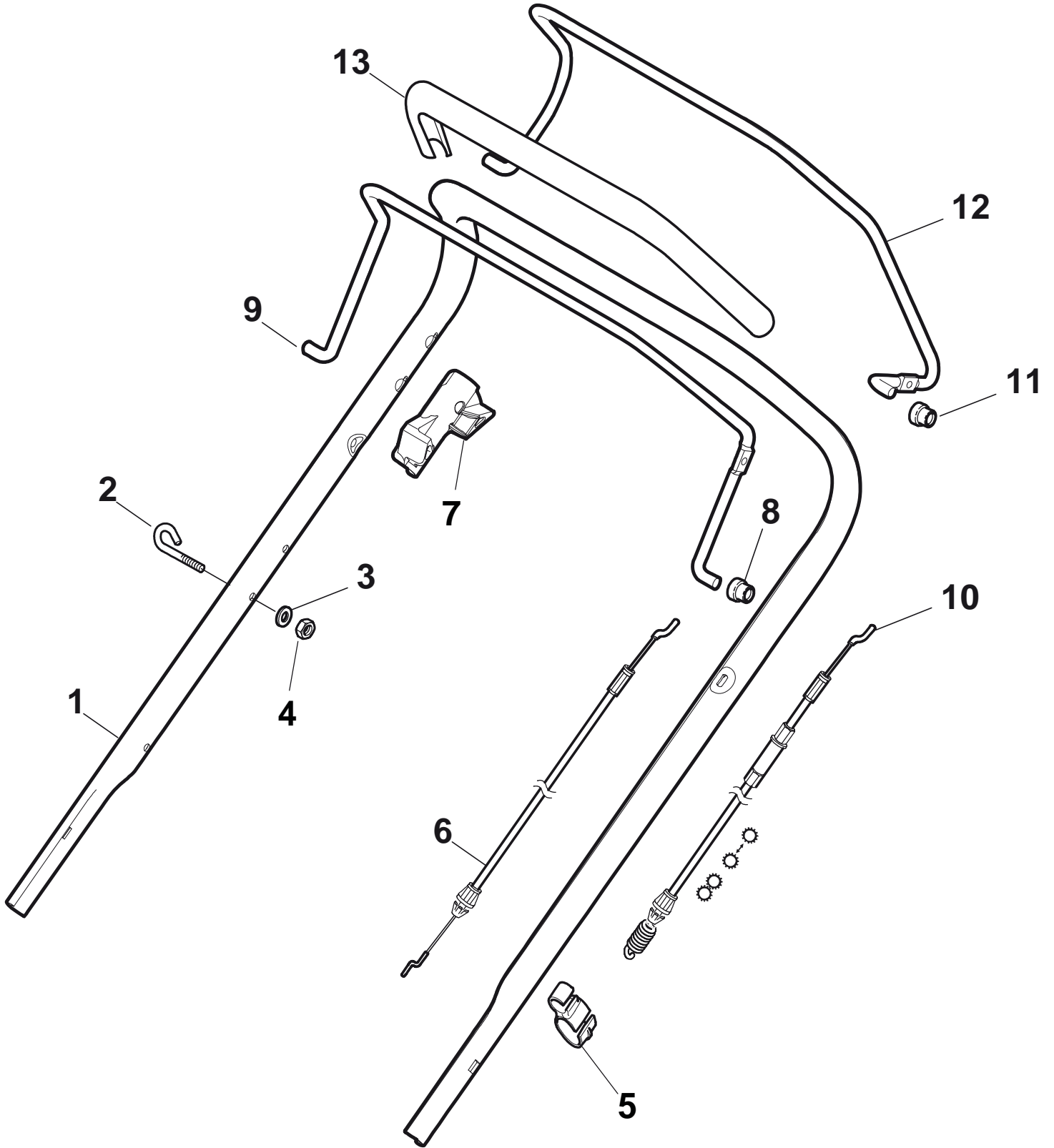
Pos. Fig.	Antal Quantity	Art No Part No	Benämning	Description	Anmärkning Notes
1	1	22291150/0	Handtag	Rubber Insert	
2	1	22060198/0	Remskydd	Protection	
3	3	12728530/0	Skruv	Screw	
4	1	22140223/0	Deflektor	Deflector	





COMBI 48 SQ BW B

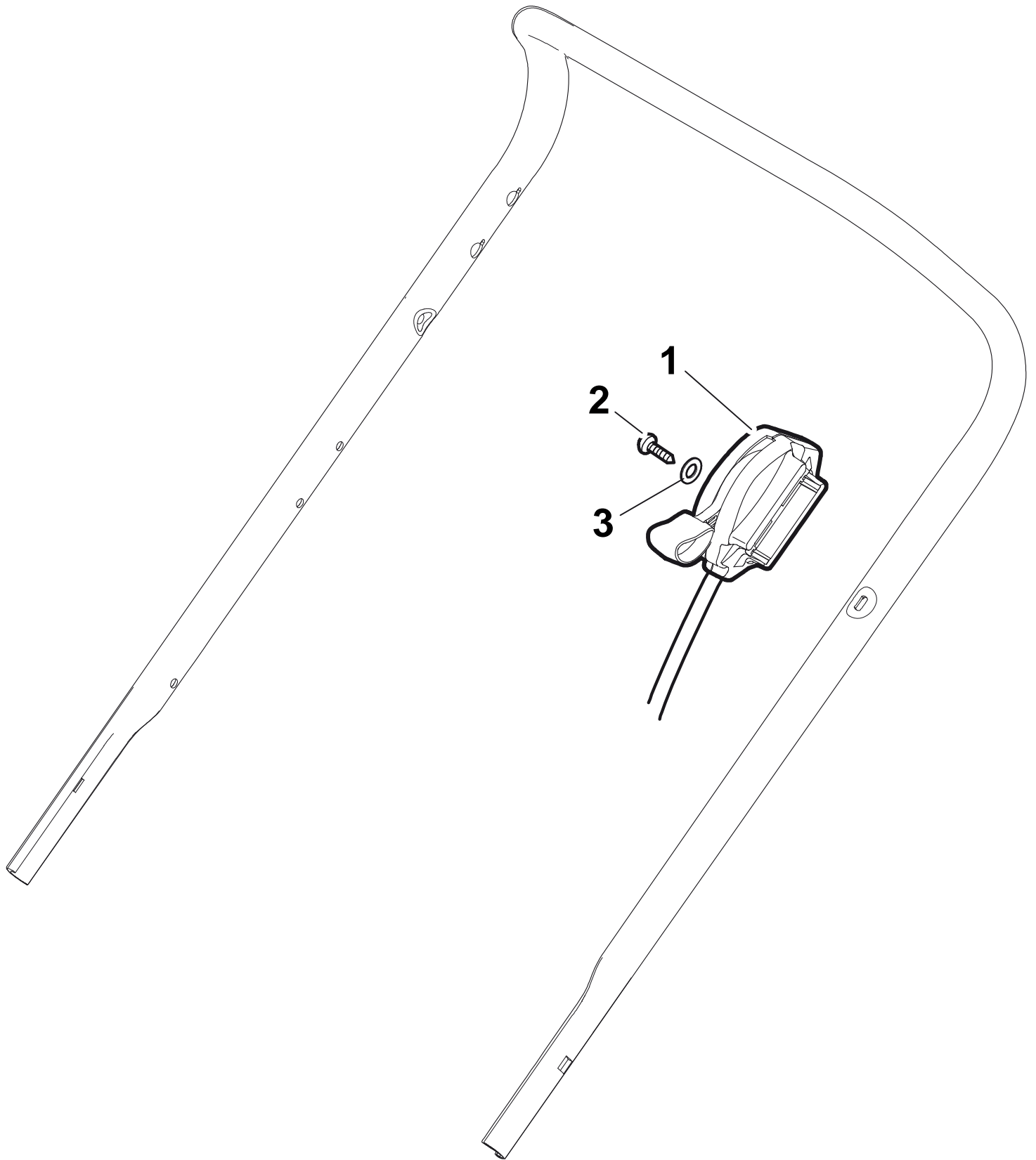
Pos. Fig.	Antal Quantity	Art No Part No	Benämning	Description	Anmärkning Notes
1	1	381006719/0	Styre-underdel	Handle, Lower Part	
2	1	381005149/0	Fäste-hö	Bracket, R	
3	1	381005151/0	Fäste-vä	Bracket, L	
4	4	381003253/0	Handtag	Handle	
5	4	322680016/0	Fäste	Support	
6	4	22131750/0	Mutter	Nut	
7	4	322399835/0	Knopp	Knob	
10	2	12760605/0	Skruv	Screw	
11	2	25038002/1	Bussning	Bush	
12	2	12155000/0	Mutter	Nut	
13	1	322192156/0	Kabelhållare	Fair Led	





COMBI 48 SQ BW B

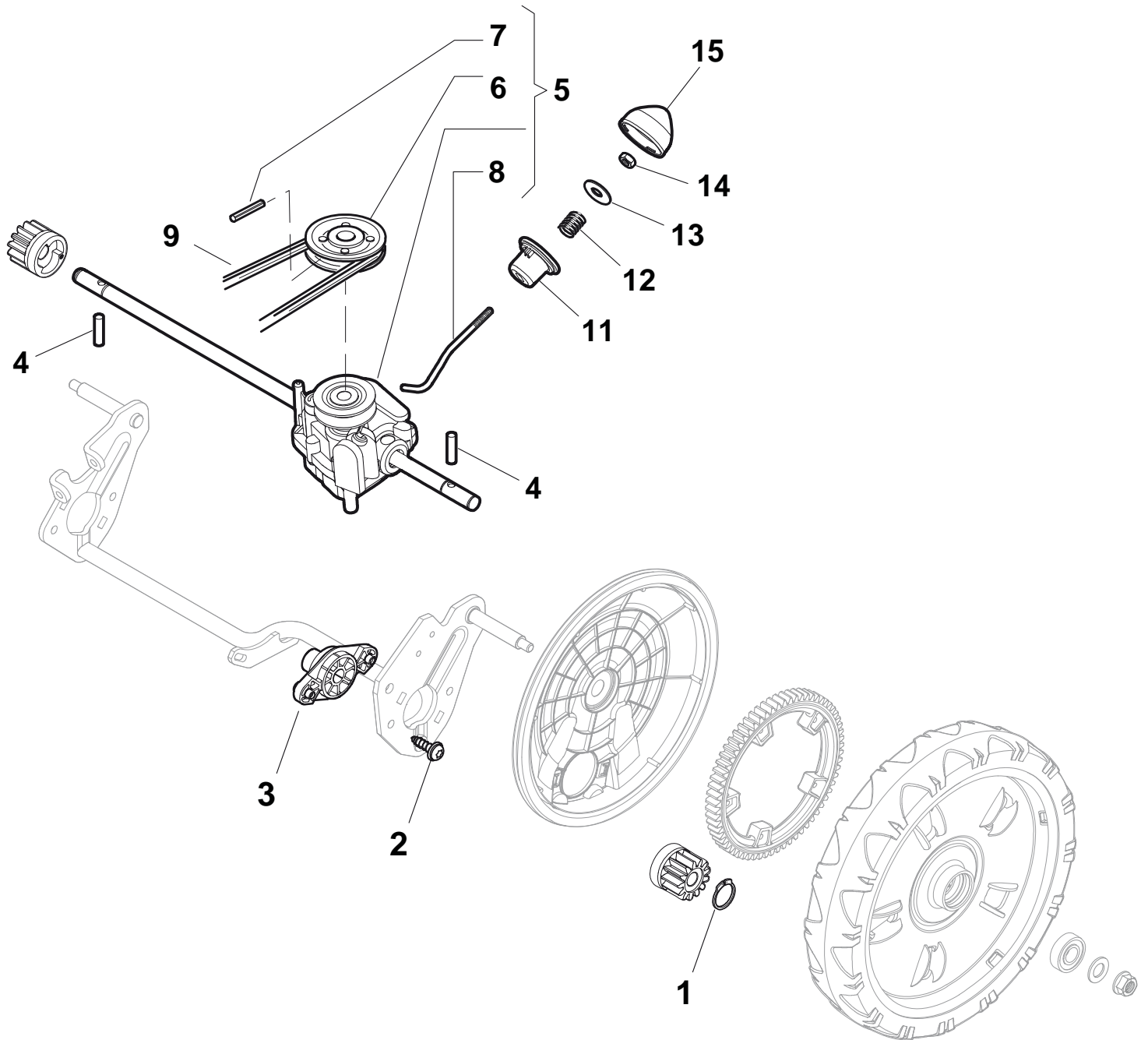
Pos. Fig.	Antal Quantity	Art No Part No	Benämning	Description	Anmärkning Notes
1	1	381006807/0	Styre-överdel	Handle, Upper Part with sponge handgrip	
1	1	381006887/0	Styre-överdel	Handle, Upper Part	
2	1	22430313/0	Fjäder	Guide Spring	
3	1	12521330/0	Bricka	Washer	
4	1	12154510/0	Mutter	Nut	
5	1	118390020/0	Startkabel	Fairlead	
6	1	181030053/0	Motorbromswire	Cable, Thread Eng. Brake	
7	1	322545204/0	Vridpunkt	Fulcrum Pin	
8	2	22041966/0	Bussning	Bush	
9	1	181003300/0	Transmission	Lever, Engine Brake	
10	1	381030051/0	Kopplingswire	Cable, Rear Drive	
11	2	22041966/0	Bussning	Bush	
12	1	181003301/0	Reglagebygel	Lever, Driving	
13	1	22291050/0	Hylsa	Handgrip Black	only for handle part no. 381006887/0
14	1	22551640/0	Plåt	Plate	
15	1	12728640/0	Skruv	Screw	





COMBI 48 SQ BW B

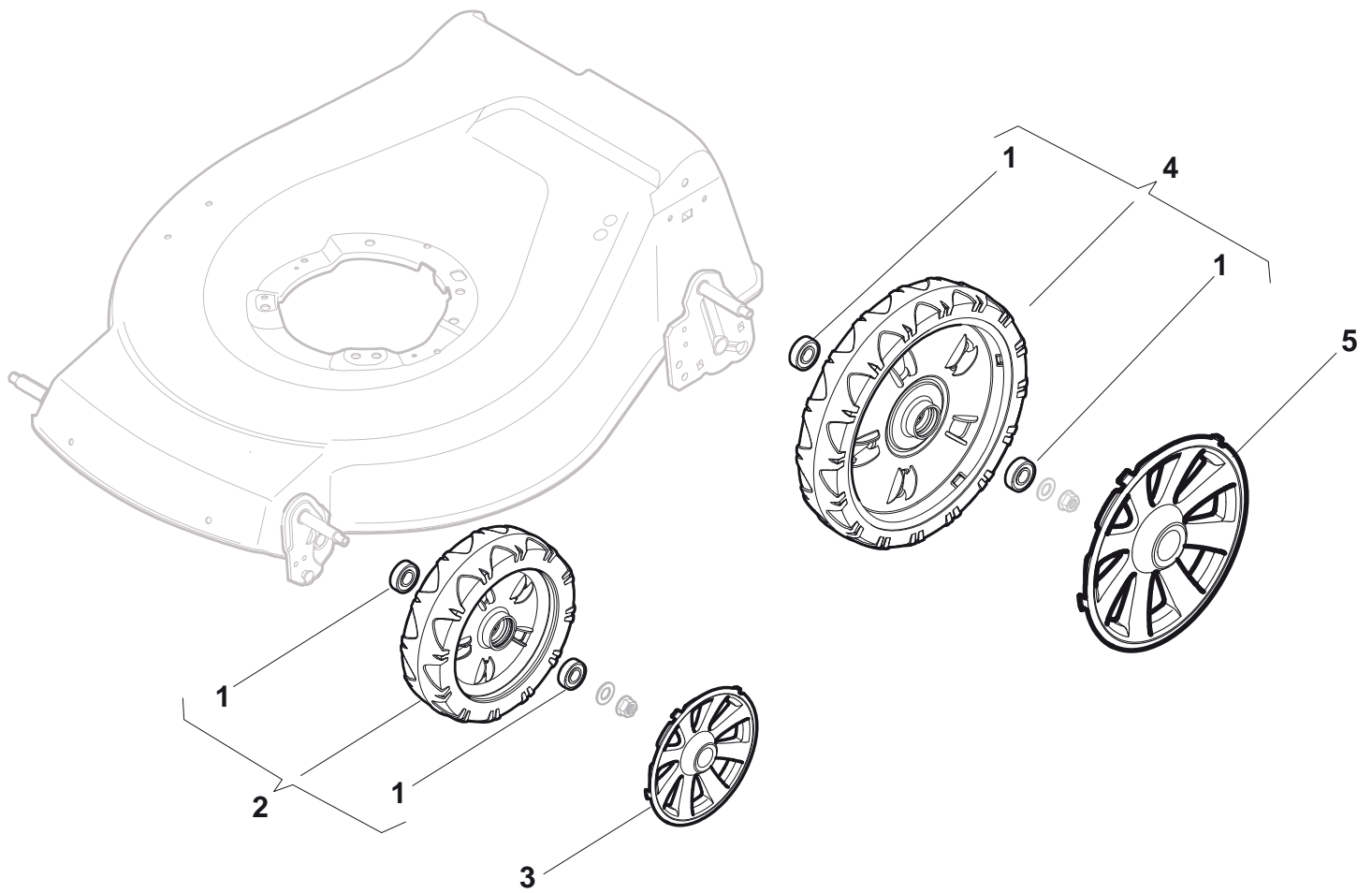
Pos. Fig.	Antal Quantity	Art No Part No	Benämning	Description	Anmärkning Notes
1	1	181005502/1	Gaswire	Throttle Cable	
2	1	12735103/0	Skruv	Screw	
3	1	12523040/0	Bricka	Washer	





COMBI 48 SQ BW B

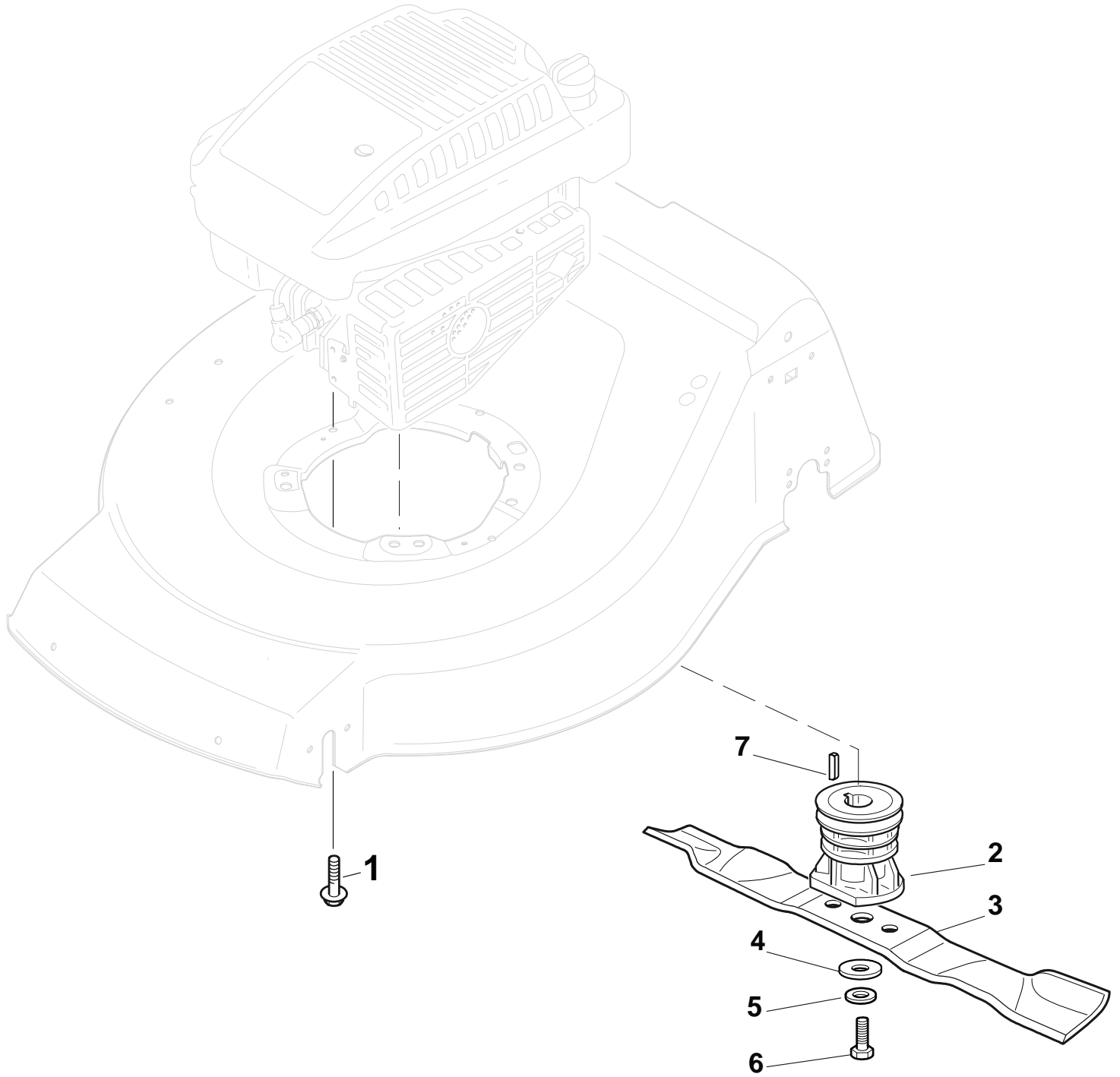
Pos. Fig.	Antal Quantity	Art No Part No	Benämning	Description	Anmärkning Notes
1	2	12608600/0	Seeger	Seeger	
2	4	112728697/0	Skruv	Screw	
3	2	322042063/0	Bussning	Bush	
4	2	22753000/0	Stift	Pin	
5	1	81003092/0	Transmission	Gear Box	
6	1	22601904/0	Remskiva	Pulley	
7	1	12645700/0	Stift	Pin	
8	1	22033283/0	Justerstång	Adjustment Rod	
9	1	35063800/0	Drivrem Z 27	Belt Z 27	
11	1	22041957/1	Bussning	Bush	
12	1	22450063/0	Fjäder	Spring	
13	1	22680009/0	Bricka	Washer	
14	1	12154510/0	Mutter	Nut	
15	1	22110230/0	Huvstöd	Cap	





COMBI 48 SQ BW B

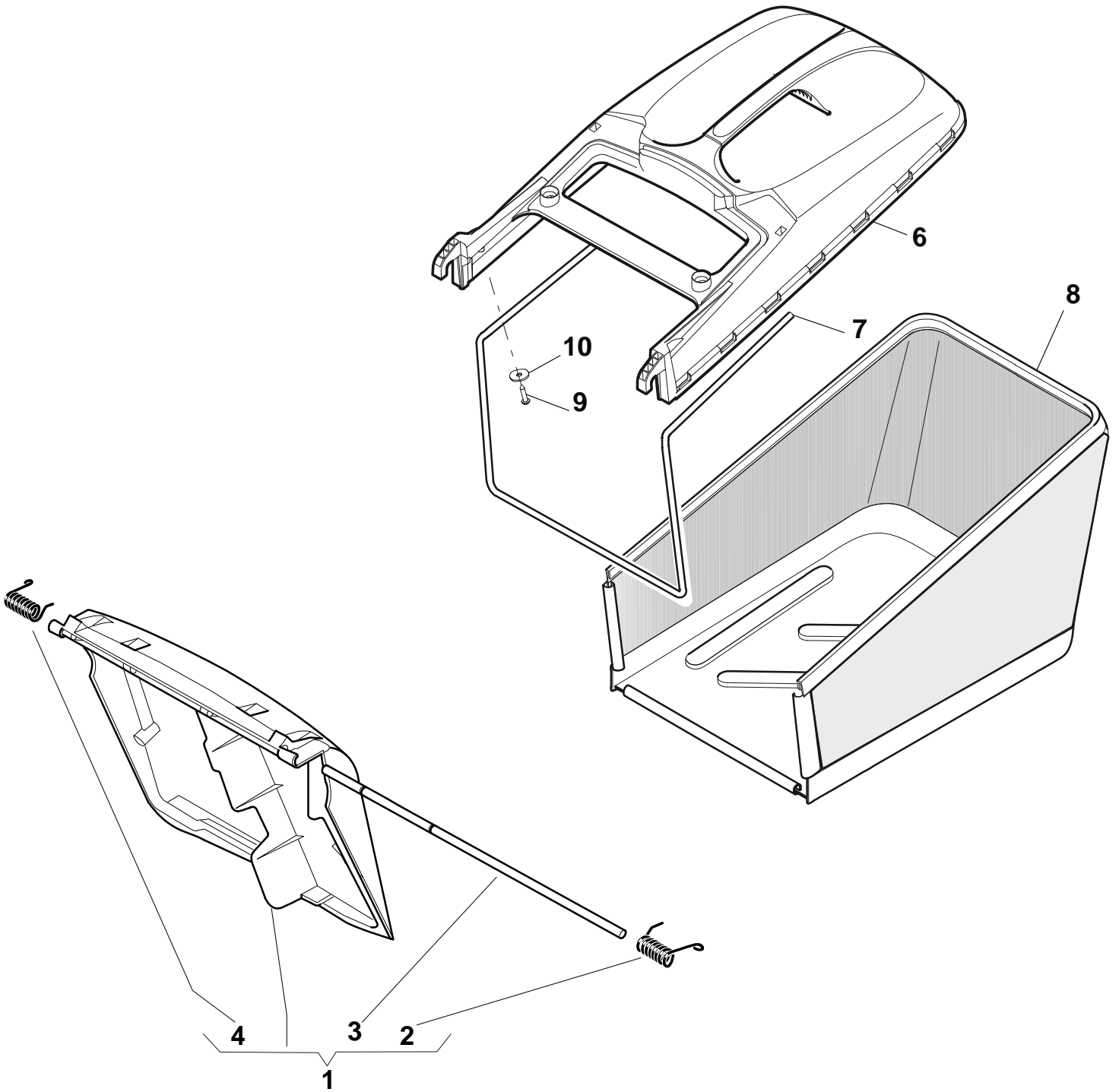
Pos. Fig.	Antal Quantity	Art No Part No	Benämning	Description	Anmärkning Notes
1	8	19216035/0	Låsring	Bearing	
2	2	381007416/1	Hjul Ø 200	Ruota Ø 200	
3	2	322110645/0	Navkapsel	Hub Cap	
4	2	381007417/1	Hjul Ø 280	Ruota Ø 280	
5	2	322110646/0	Navkapsel	Hub Cap	





COMBI 48 SQ BW B

Pos. Fig.	Antal Quantity	Art No Part No	Benämning	Description	Anmärkning Notes
1	3	112735108/1	Skruv	Screw	
2	1	122465607/3	Fläkt Ø 22.2	Hub With Pulley, Crankshaft Ø 22.2	
3	1	181004458/0	Kniv	Blade Standard	
4	1	22160400/0	Dammskydd	Dust Cover	
5	1	12523080/0	Bricka	Washer	
6	1	12735698/0	Skruv	Screw	
7	1	12139100/0	Kil	Feather, Crankshaft Ø 22.2	





COMBI 48 SQ BW B

Pos. Fig.	Antal Quantity	Art No Part No	Benämning	Description	Anmärkning Notes
1	1	381008081/1	Lucka	Stone-Guard	
2	1	122450466/0	Fjäder	L Spring	
3	1	122517882/0	Stift	Pin	
4	1	122450465/0	Fjäder	R Spring	
6	1	22486101/0	Uppsamlare-överdel	Grass-Box, Upper	
7	1	22608525/0	Trådbygel	Stiffening Lower	
8	1	81002211/0	Uppsamlingsäck	Box, Fabric	
9	2	12728680/0	Skruv	Screw	
10	2	12523050/0	Bricka	Washer	